



**Discount  
Equipment**

[www.discount-equipment.com](http://www.discount-equipment.com)

Filter	9800167001,BES 45149 - 89198
Identity	9800167001
Specifications	Product number: 8318090040, Product number: 8318070298, Division: Portable Air, Product group: Petrol handheld, Product type: Petrol drill breaker, Product: CP Drill, Product Company: Antwerp

# PARTS FINDER

**Search Website  
by Part Number**



**Search Manual  
Library For Parts  
Manual & Lookup Part  
Numbers – Purchase  
or Request Quote**

**Search Manuals**

Enter your information to help us find the right parts manual for your machine.

\* Brand:

\* Model:

\* Serial:

\* Part Number:

SEARCH

**Can't Find Part or  
Manual? Request Help  
by Manufacturer,  
Model & Description**

**Parts Order Form**

Please fill in the following information to help us find the right part for your machine.

MANUFACTURER:

MODEL:

DESCRIPTION:

SEARCH

Discount-Equipment.com is your online resource for quality parts & equipment.

Florida: **561-964-4949** Outside Florida TOLL FREE: **877-690-3101**

**Need parts?**

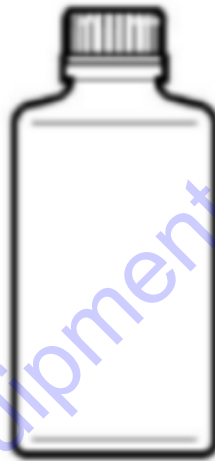
Click on this link: <http://www.discount-equipment.com/category/5443-parts/> and choose one of the options to help get the right parts and equipment you are looking for. Please have the machine model and serial number available in order to help us get you the correct parts. If you don't find the part on the website or on one of the online manuals, please fill out the request form and one of our experienced staff members will get back to you with a quote for the right part that your machine needs.

We sell worldwide for the brands: Genie, Terex, JLG, MultiQuip, Mikasa, Essick, Whiteman, Mayco, Toro Stone, Diamond Products, Generac Magnum, Airman, Haulotte, Barreto, Power Blanket, Nifty Lift, Atlas Copco, Chicago Pneumatic, Allmand, Miller Curber, Skyjack, Lull, Skytrak, Tsurumi, Husquvarna Target, Stow, Wacker, Sakai, Mi-T-M, Sullair, Basic, Dynapac, MBW, Weber, Bartell, Bennar Newman, Haulotte, Ditch Runner, Menegotti, Morrison, Contec, Buddy, Crown, Edco, Wyco, Bomag, Laymor, EZ Trench, Bil-Jax, F.S. Curtis, Gehl Pavers, Heli, Honda, ICS/PowerGrit, IHI, Partner, Imer, Clipper, MMD, Koshin, Rice, CH&E, General Equipment, Amida, Coleman, NAC, Gradall, Square Shooter, Kent, Stanley, Tamco, Toku, Hatz, Kohler, Robin, Wisconsin, Northrock, Oztec, Toker TK, Rol-Air, APT, Wylie, Ingersoll Rand / Doosan, Innovatech, Con X, Ammann, Mecalac, Makinex, Smith Surface Prep, Small Line, Wanco, Yanmar

Cobra mix-oil	Cobramixoil
Cobra Impact-oil	CobraImpactoil
Integral drill steel 22 mm (7/8") × 108 mm (4¼")	drillbits22X108_22mmcp
Shank End Rods R25 (1") Hex. 22 x 108 (7/8" X 4¼" in)	ShankendrodsR22CP
R25 drill bits	R25drillBitsCP
Tapered Rods 22 mm (7/8) x 108 mm (4¼ in)	Taperedrods22x108CP
Tapered bits 22 mm (7/8) x 108 mm (4¼ in)	Taperedbits22x108CP
Service kit	
Gasket kit	
Carburettor repair kit	
Top cover, front cover and back cover	
Hammer piston and drill housing	
Cylinder	
Crank case	
Crank case cover	
Starter cover and fuel tank	
Filter casset	
Handle	
Tightening torque	
Accessories	mdb_ac_rh_04431

Go to Discount-Equipment.com to order your parts

Description	Remarks	Part number	
Cobra Mix-OIL	12 x 100 ml bottles (3.4 US fl oz). For mixing on 5 l (1.32 US gal) petrol can	1	9238 2743 40
	1 l bottle (34 US fl oz)	2	9238 2743 50
	12 x 1 l bottles (34 US fl oz)	3	9234 0014 06

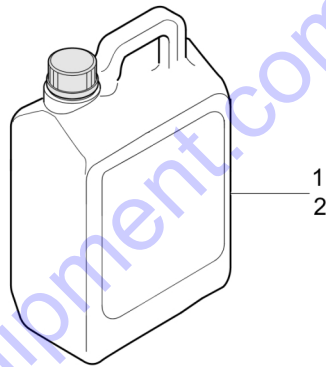


For tech. details check next page

Id	Qty	Number	Name	Specifications
1	1	9238274340	Cobra mix oil, 12 x 100 ml bottles (3.4 US fl oz). For mixing on 5 l (1.32 US gal) petrol can	
2	1	9238274350	TWO STROKE OIL	
3	1	9234001406	Cobra mix oil, 12 x 1 l bottles (34 US fl oz)	

Go to Discount-Equipment.com to order your parts

Description	Remarks	Part number
Cobra Impact-OIL	1 l bottle (34 US fl oz)	1 9234 0012 03
	20 x 1 l bottles (34 US fl oz)	2 9234 0014 05



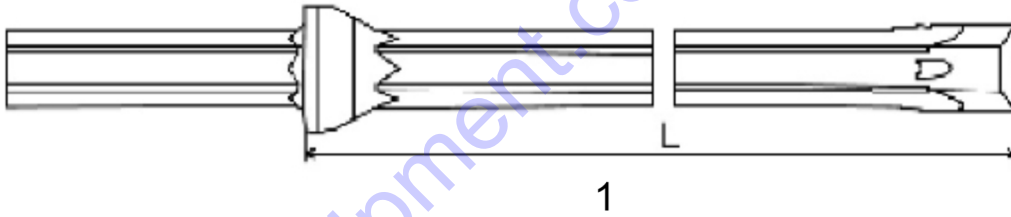
For tech. details check next page



<b>Id</b>	<b>Qty</b>	<b>Number</b>	<b>Name</b>	<b>Specifications</b>
1	1	9234001203	IMPACT OIL	
2	1	9234001405	Cobra & compactor Impact-oil, 20 x 1 l bottles (34 US fl oz)	

Go to Discount-Equipment.com to order your parts

Integral Hex 7/8" X 4 1/4" in	11.7	5'3"	1 1/8	1	3310101989
Integral Hex 7/8" X 4 1/4" in	17.4	7'10 1/2"	1 1/16	1	3310101968
Integral Hex 7/8" X 4 1/4" in	12.8	7'10 1/2"	1 1/32	1	3310101995
Integral Hex 7/8" X 4 1/4" in	22.5	10'6"	1 1/16	1	3310101991
Integral Hex 7/8" X 4 1/4" in	23.1	10'6"	1 1/8	1	3310101987
Integral Hex 7/8" X 4 1/4" in	3.1	1'3 3/4"	15/16	1	3310101996
Integral Hex 7/8" X 4 1/4" in	5.1	2'7 1/2"	29/32	1	3310101997
Integral Hex 7/8" X 4 1/4" in	6.6	3'11 1/4"	29/32	1	3310101998



For tech. details check next page

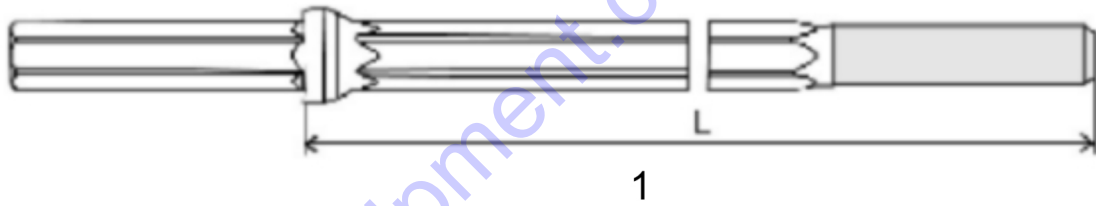
Description	Weight	Length (L)	Bit diameter		Part number
	lbs	ft/in	in		
Integral Hex 7/8" X 4 1/4" in	4.0	1'3 3/4"	1 5/8	1	3310101999
Integral Hex 7/8" X 4 1/4" in	5.3	1'11 5/8"	1 5/8	1	3310101951
Integral Hex 7/8" X 4 1/4" in	6.6	2'7 1/2"	1 9/16	1	3310101952
Integral Hex 7/8" X 4 1/4" in	6.8	2'7 1/2"	1 1/2	1	3310102001
Integral Hex 7/8" X 4 1/4" in	9.5	3'11 1/4"	1 9/16	1	3310101953
Integral Hex 7/8" X 4 1/4" in	9.5	3'11 1/4"	1 17/32	1	3310102000
Integral Hex 7/8" X 4 1/4" in	11.9	5'3"	1 17/32	1	3310101954
Integral Hex 7/8" X 4 1/4" in	12.1	5'3"	1 13/32	1	3310102003
Integral Hex 7/8" X 4 1/4" in	13.4	5'10 7/8"	1 17/32	1	3310101955
Integral Hex 7/8" X 4 1/4" in	13.2	5'10 7/8"	1 13/32	1	3310102004
Integral Hex 7/8" X 4 1/4" in	17.2	7'10 1/2"	1 1/2	1	3310101956
Integral Hex 7/8" X 4 1/4" in	22.7	10'6"	1 15/32	1	3310101957
Integral Hex 7/8" X 4 1/4" in	27.8	13'1 1/2"	1 13/32	1	3310102002
Integral Hex 7/8" X 4 1/4" in	33.3	15'9"	1 3/8	1	3310102005
Integral Hex 7/8" X 4 1/4" in	38.8	18'4 1/2"	1 11/32	1	3310101969
Integral Hex 7/8" X 4 1/4" in	43.6	21	15/16	1	3310101972
Integral Hex 7/8" X 4 1/4" in	48.9	23'7 1/2"	1 1/4	1	3310101976
Integral Hex 7/8" X 4 1/4" in	54.2	26'3"	1 7/32	1	3310101981
Integral Hex 7/8" X 4 1/4" in	55.3	28'9"	1 3/16	1	3310102260
Integral Hex 7/8" X 4 1/4" in	67.0	31'6"	1 5/32	1	3310101986
Integral Hex 7/8" X 4 1/4" in	3.7	1'3 3/4"	1 1/8	1	3310101958
Integral Hex 7/8" X 4 1/4" in	5.3	1'11 5/8"	1 1/8	1	3310101959
Integral Hex 7/8" X 4 1/4" in	6.6	2'7 1/2"	1 11/32	1	3310101960
Integral Hex 7/8" X 4 1/4" in	9.3	3'11 1/4"	1 11/32	1	3310101962
Integral Hex 7/8" X 4 1/4" in	9.5	3'11 1/4"	1 5/16	1	3310101973
Integral Hex 7/8" X 4 1/4" in	11.9	5'3"	1 5/16	1	3310101963
Integral Hex 7/8" X 4 1/4" in	13.4	5'10 7/8"	1 5/16	1	3310101971
Integral Hex 7/8" X 4 1/4" in	14.5	6'6 3/4"	1 5/16	1	3310101970
Integral Hex 7/8" X 4 1/4" in	17.4	7'10 1/2"	1 1/4	1	3310101975
Integral Hex 7/8" X 4 1/4" in	23.1	10'6"	1 1/4	1	3310101978
Integral Hex 7/8" X 4 1/4" in	22.7	10'6"	1 7/32	1	3310101979
Integral Hex 7/8" X 4 1/4" in	27.8	13'1 1/2"	1 3/16	1	3310101983
Integral Hex 7/8" X 4 1/4" in	33.3	15'9"	1 5/32	1	3310101984
Integral Hex 7/8" X 4 1/4" in	38.8	18'4 1/2"	1 1/8	1	3310101988
Integral Hex 7/8" X 4 1/4" in	43.8	21	1 1/16	1	3310101990
Integral Hex 7/8" X 4 1/4" in	49.1	23'7 1/2"	1 1/32	1	3310101993
Integral Hex 7/8" X 4 1/4" in	54.4	26'3"	1 1/32	1	3310101994
Integral Hex 7/8" X 4 1/4" in	3.7	1'3 3/4"	1 11/32	1	3310101964
Integral Hex 7/8" X 4 1/4" in	6.6	2'7 1/2"	1 5/16	1	3310101961
Integral Hex 7/8" X 4 1/4" in	9.3	3'11 1/4"	1 1/4	1	3310101974
Integral Hex 7/8" X 4 1/4" in	11.7	5'3"	1 7/32	1	3310101980
Integral Hex 7/8" X 4 1/4" in	14.5	6'6 3/4"	1 1/4	1	3310101977
Integral Hex 7/8" X 4 1/4" in	14.3	6'6 3/4"	1 3/16	1	3310101982
Integral Hex 7/8" X 4 1/4" in	3.1	1'3 3/4"	1 5/32	1	3310101965
Integral Hex 7/8" X 4 1/4" in	4.0	1'11 5/8"	1 1/16	1	3310101992
Integral Hex 7/8" X 4 1/4" in	5.1	2'7 1/2"	1 1/8	1	3310101966
Integral Hex 7/8" X 4 1/4" in	6.6	2'7 1/2"	1 5/32	1	3310101985
Integral Hex 7/8" X 4 1/4" in	8.8	5'3"	1 1/16	1	3310101967

<b>Id</b>	<b>Qty</b>	<b>Number</b>	<b>Name</b>	<b>Specifications</b>
1	1	3310101999	Integral H22X108, L400 MM, ø41 MM	
1	1	3310101951	Integral H22X108, L600 MM, ø41 MM	
1	1	3310101952	Integral H22X108, L800 MM, ø40 MM	
1	1	3310102001	Integral H22X108, L800 MM, ø38 MM	
1	1	3310101953	Integral H22X108, L1200 MM, ø40 MM	
1	1	3310102000	Integral H22X108, L1200 MM, ø39 MM	
1	1	3310101954	Integral H22X108, L1600 MM, ø39 MM	
1	1	3310102003	Integral H22X108, L1600 MM, ø36 MM	
1	1	3310101955	Integral H22X108, L1800 MM, ø39 MM	
1	1	3310102004	Integral H22X108, L1800 MM, ø36 MM	
1	1	3310101956	Integral H22X108, L2400 MM, ø38 MM	
1	1	3310101957	Integral H22X108, L3200 MM, ø37 MM	
1	1	3310102002	Integral H22X108, L4000 MM, ø36 MM	
1	1	3310102005	Integral H22X108, L4800 MM, ø35 MM	
1	1	3310101969	Integral H22X108, L5600 MM, ø34 MM	
1	1	3310101972	Integral H22X108, L6400 MM, ø33 MM	
1	1	3310101976	Integral H22X108, L7200 MM, Å,32 MM	
1	1	3310101981	Integral H22X108, L8000 MM, ø31 MM	
1	1	3310102260	Integral H22X108, L8800 MM, ø30 MM	
1	1	3310101986	Integral H22X108, L9600 MM, ø29 MM	
1	1	3310101958	Integral H22X108, L400 MM, ø35 MM	
1	1	3310101959	Integral H22X108, L600 MM, ø35 MM	
1	1	3310101960	Integral H22X108, L800 MM, Å,34 MM	
1	1	3310101962	Integral H22X108, L1200 MM, ø34 MM	
1	1	3310101973	Integral H22X108, L1200 MM, ø33 MM	
1	1	3310101963	Integral H22X108, L1600 MM, ø33 MM	
1	1	3310101971	Integral H22X108, L1800 MM, ø33 MM	
1	1	3310101970	Integral H22X108, L2000 MM, ø33 MM	
1	1	3310101975	Integral H22X108, L2400 MM, ø32 MM	
1	1	3310101978	Integral H22X108, L3200 MM, ø32 MM	
1	1	3310101979	Integral H22X108, L3200 MM, ø31 MM	
1	1	3310101983	Integral H22X108, L4000 MM, ø30 MM	
1	1	3310101984	Integral H22X108, L4800 MM, ø29 MM	
1	1	3310101988	Integral H22X108, L5600 MM, ø28 MM	
1	1	3310101990	Integral H22X108, L6400 MM, ø27 MM	
1	1	3310101993	Integral H22X108, L7200 MM, ø26 MM	
1	1	3310101994	Integral H22X108, L8000 MM, ø26 MM	
1	1	3310101964	Integral H22X108, L400 MM, ø34 MM	
1	1	3310101961	Integral H22X108, L800 MM, ø33 MM	
1	1	3310101974	Integral H22X108, L1200 MM, ø32 MM	
1	1	3310101980	Integral H22X108, L1600 MM, ø31 MM	
1	1	3310101977	Integral H22X108, L2000 MM, ø32 MM	
1	1	3310101982	Integral H22X108, L2000 MM, ø30 MM	
1	1	3310101965	Integral H22X108, L400 MM, ø29 MM	
1	1	3310101992	Integral H22X108, L600 MM, ø27 MM	
1	1	3310101966	Integral H22X108, L800 MM, ø28 MM	
1	1	3310101985	Integral H22X108, L800 MM, ø29 MM	

<b>Id</b>	<b>Qty</b>	<b>Number</b>	<b>Name</b>	<b>Specifications</b>
1	1	3310101967	Integral H22X108, L1600 MM, ø27 MM	
1	1	3310101989	Integral H22X108, L1600 MM, ø28 MM	
1	1	3310101968	Integral H22X108, L2400 MM, ø27 MM	
1	1	3310101995	Integral H22X108, L2400 MM, ø26 MM	
1	1	3310101991	Integral H22X108, L3200 MM, ø27 MM	
1	1	3310101987	Integral H22X108, L3200 MM, ø28 MM	
1	1	3310101996	Integral H22X108, L400 MM, ø24 MM	
1	1	3310101997	Integral H22X108, L800 MM, ø23 MM	
1	1	3310101998	Integral H22X108, L1200 MM, ø23 MM	

Go to Discount-Equipment.com to order your parts

Description	Weight	Length (L)	Bit diameter	Part number
	lbs	ft/in	in	
Shank End Rod R25 (1"), Hex 7/8" X 4¼" in	2.6	10¾"	1	3310 1022 38
Shank End Rod R25 (1"), Hex 7/8" X 4¼" in	5.1	2'	1	3310 1022 39
Shank End Rod R25 (1"), Hex 7/8" X 4¼" in	6.4	2'5/8"	1	3310 1022 40
Shank End Rod R25 (1"), Hex 7/8" X 4¼" in	7.5	3'3/8"	1	3310 1022 41
Shank End Rod R25 (1"), Hex 7/8" X 4¼" in	9.9	3'11¼"	1	3310 1022 42
Shank End Rod R25 (1"), Hex 7/8" X 4¼" in	13.7	6'	1	3310 1022 43
Shank End Rod R25 (1"), Hex 7/8" X 4¼" in	17.6	8'	1	3310 1022 44
Shank End Rod R25 (1"), Hex 7/8" X 4¼" in	22.9	10'6"	1	3310 1022 45
Shank End Rod R25 (1"), Hex 7/8" X 4¼" in	26.0	11'9¼"	1	3310 1022 46



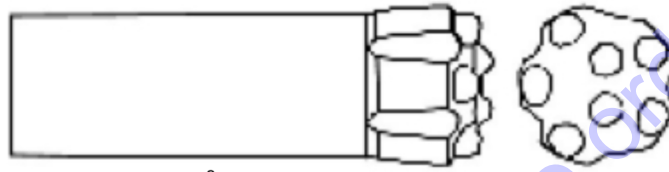
For tech.details check next page



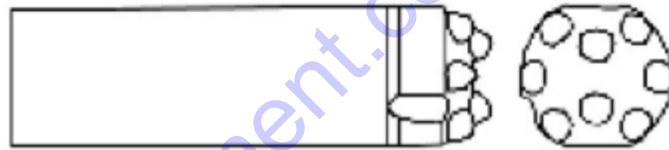
Id	Qty	Number	Name	Specifications
1	1	3310102238	Shank End Rod R25 (1"), H22X108, L265 MM	
1	1	3310102239	Shank End Rod R25 (1"), H22X108, L610 MM	
1	1	3310102240	Shank End Rod R25 (1"), H22X108, L760 MM	
1	1	3310102241	Shank End Rod R25 (1"), H22X108, L1000 MM	
1	1	3310102242	Shank End Rod R25 (1"), H22X108, L1200 MM	
1	1	3310102243	Shank End Rod R25 (1"), H22X108, L1830 MM	
1	1	3310102244	Shank End Rod R25 (1"), H22X108, L2435 MM	
1	1	3310102245	Shank End Rod R25 (1"), H22X108, L3200 MM	
1	1	3310102246	Shank End Rod R25 (1"), H22X108, L3600 MM	

Go to Discount-Equipment.com to order your parts

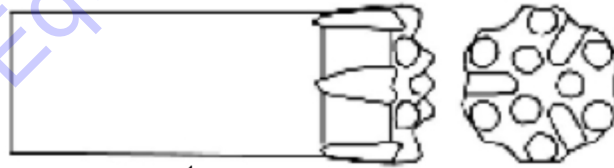
Description	Dia	Gauge carbide	Front carbide	Side flushing	Side flushing	Gauge angle	Part number
	in	in	in	in	in	degree	
Drill Bit R25 (1"), 8 Buttons	1 <sup>1</sup> / <sub>16</sub>	1/4" x 1/4"	1/16" x 1/4"	1/16" x 3/16"	1/16" x 3/16"	35°	3310 1022 52
Drill Bit R25 (1"), 8 Buttons	1 <sup>3</sup> / <sub>16</sub>	1/4" x 1/4"	1/16" x 1/4"	1/16" x 3/16"	1/16" x 3/16"	35°	3310 1022 53
Drill Bit R25 (1"), 7 Buttons	1 <sup>5</sup> / <sub>32</sub>	1/4" x 1/4"	1/16" x 1/4"	1/16" x 3/16"	1/16" x 3/16"	35°	3310 1022 54
Drill Bit R25 (1"), 9 Buttons	1 <sup>1</sup> / <sub>2</sub>	1/4" x 5/16"	1/8" x 1/4"	1/16" x 3/16"	1/8" x 3/16"	35°	3310 1022 55
Drill Bit R25 (1"), 8 Buttons	1 <sup>5</sup> / <sub>8</sub>	1/4" x 5/16"	1/16" x 5/16"	1/16" x 3/16"	1/16" x 3/16"	35°	3310 1022 56
Drill Bit R25 (1"), 9 Buttons	1 <sup>3</sup> / <sub>4</sub>	1/4" x 3/8"	1/8" x 1/4"	1/16" x 3/16"	1/8" x 3/16"	35°	3310 1022 57
Drill Bit R25 (1"), 9 Buttons	1 <sup>7</sup> / <sub>8</sub>	1/4" x 3/8"	1/8" x 3/8"	1/16" x 3/16"	1/8" x 3/16"	35°	3310 1022 58
Drill Bit R25 (1"), 9 Buttons	2	1/4" x 3/8"	1/8" x 3/8"	1/16" x 3/16"	1/8" x 3/16"	35°	3310 1022 59



3



2

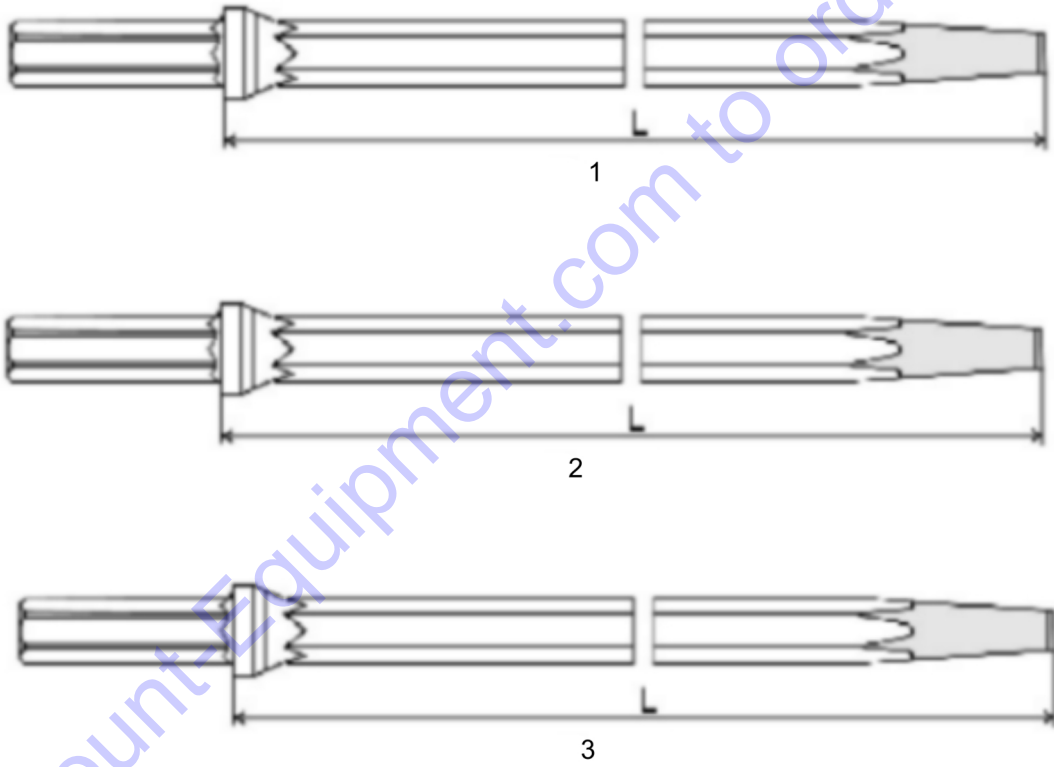


1

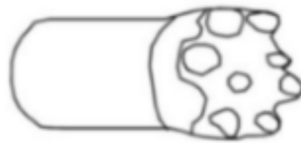
For tech. details check next page

<b>Id</b>	<b>Qty</b>	<b>Number</b>	<b>Name</b>	<b>Specifications</b>
1	1	3310102255	Drill Bit R25 (1"), 38 MM, 9 Buttons	
1	1	3310102257	Drill Bit R25 (1"), 45 MM, 9 Buttons	
1	1	3310102258	Drill Bit R25 (1"), 48 MM, 9 Buttons	
1	1	3310102259	Drill Bit R25 (1"), 51 MM, 9 Buttons	
2	1	3310102252	Drill Bit R25 (1"), 33 MM, 8 Buttons	
2	1	3310102253	Drill Bit R25 (1"), 35 MM, 8 Buttons	
2	1	3310102256	Drill Bit R25 (1"), 41 MM, 8 Buttons	
3	1	3310102254	Drill Bit R25 (1"), 37 MM, 7 Buttons	

Go to Discount-Equipment.com to order your parts



<b>Id</b>	<b>Qty</b>	<b>Number</b>	<b>Name</b>	<b>Specifications</b>
1	1	3310101937	Tapered Rods 610 mm, 11°, H22 x 108mm	
1	1	3310101938	Tapered Rods 1220 mm, 11°, H22 x 108mm	
1	1	3310101939	Tapered Rods 1525 mm, 11°, H22 x 108mm	
1	1	3310101940	Tapered Rods 1830 mm, 11°, H22 x 108mm	
1	1	3310101941	Tapered Rods 2000 mm, 11°, H22 x 108mm	
1	1	3310101942	Tapered Rods 2435 mm, 11°, H22 x 108mm	
1	1	3310101943	Tapered Rods 2600 mm, 11°, H22 x 108mm	
1	1	3310101944	Tapered Rods 3200 mm, 11°, H22 x 108mm	
2	1	3310102261	Tapered Rods 610 mm, 12°, H22 x 108mm	
2	1	3310102262	Tapered Rods 1220 mm, 12°, H22 x 108mm	
2	1	3310102263	Tapered Rods 1525 mm, 12°, H22 x 108mm	
2	1	3310102264	Tapered Rods 1830 mm, 12°, H22 x 108mm	
2	1	3310102265	Tapered Rods 2000 mm, 12°, H22 x 108mm	
2	1	3310102266	Tapered Rods 2435 mm, 12°, H22 x 108mm	
2	1	3310102267	Tapered Rods 2600 mm, 12°, H22 x 108mm	
2	1	3310102268	Tapered Rods 3200 mm, 12°, H22 x 108mm	
3	1	3310102322	Tapered Rods 610 mm, 7°, H22 x 108mm	
3	1	3310102323	Tapered Rods 1220 mm, 7°, H22 x 108mm	
3	1	3310102324	Tapered Rods 1525 mm, 7°, H22 x 108mm	
3	1	3310102325	Tapered Rods 1830 mm, 7°, H22 x 108mm	
3	1	3310102326	Tapered Rods 2000 mm, 7°, H22 x 108mm	
3	1	3310102327	Tapered Rods 2435 mm, 7°, H22 x 108mm	
3	1	3310102328	Tapered Rods 2600 mm, 7°, H22 x 108mm	
3	1	3310102329	Tapered Rods 3200 mm, 7°, H22 x 108mm	



Go to Discount-Equipment.com to order your parts

<b>Id</b>	<b>Qty</b>	<b>Number</b>	<b>Name</b>	<b>Specifications</b>
1	1	3310101945	Tapered Bits	11°,32mm,8Buttons,H22x108mm
1	1	3310101946	Tapered Bits	11°,33mm,8Buttons,H22x108mm
1	1	3310101947	Tapered Bits	11°,34mm,8Buttons,H22x108mm
1	1	3310101948	Tapered Bits	11°,36mm,7Buttons,H22x108mm
1	1	3310101949	Tapered Bits	11°,38mm,7Buttons,H22x108mm
1	1	3310101950	TAPERED BITS (11°, 41MM, 7 BUTTONS)	
2	1	3310102269	Tapered Bits	12°,32mm,8Buttons,H22x108mm
2	1	3310102270	Tapered Bits	12°,33mm,8Buttons,H22x108mm
2	1	3310102271	Tapered Bits	12°,34mm,8Buttons,H22x108mm
2	1	3310102272	Tapered Bits	12°,36mm,7Buttons,H22x108mm
2	1	3310102273	TAPERED BITS (12°, 38MM, 7 BUTTONS)	
2	1	3310102274	Tapered Bits	12°,41mm,7Buttons,H22x108mm
3	1	3310102330	Tapered Bits 7° 30mm 8 Buttons	H22x108mm
3	1	3310102331	Tapered Bits 7° 32mm 8 Buttons	H22x108mm
3	1	3310102332	TAPERED BITS (11°, 33MM, 7 BUTTONS)	
3	1	3310102333	Tapered Bits 7° 34mm 8 Buttons	H22x108mm
3	1	3310102334	Tapered Bits 7° 36mm 7 Buttons	H22x108mm
3	1	3310102335	Tapered Bits 7° 38mm 7 Buttons	H22x108mm
3	1			



NO EXPLODED VIEW  
AVAILABLE  
FOR THIS BOM

Go to Discount-Equipment.com to order your parts

<b>Id</b>	<b>Qty</b>	<b>Number</b>	<b>Name</b>	<b>Specifications</b>
2	1		Seal washer	
3	1		O-RING	
4	1		Ring set	
5	1		Piiston ring	
6	1		Seal washer	

Go to Discount-Equipment.com to order your parts

NO EXPLODED VIEW  
AVAILABLE  
FOR THIS BOM

Go to Discount-Equipment.com to order your parts

<b>Id</b>	<b>Qty</b>	<b>Number</b>	<b>Name</b>	<b>Specifications</b>
1	1	9234000922	SEAL SET	
-	2	0663212200	O-RING	
-	1	9232120500	O-RING	
-	1	0663612900	O-RING	
-	1	9232120830	O-RING	
-	1	9232120840	O-RING	
-	1	9232121390	O-RING	
-	1	9232121420	GASKET	
-	1	9232120250	GASKET	
-	1	9232120260	GASKET	
-	1	9232140131	RUBBER HOSE	

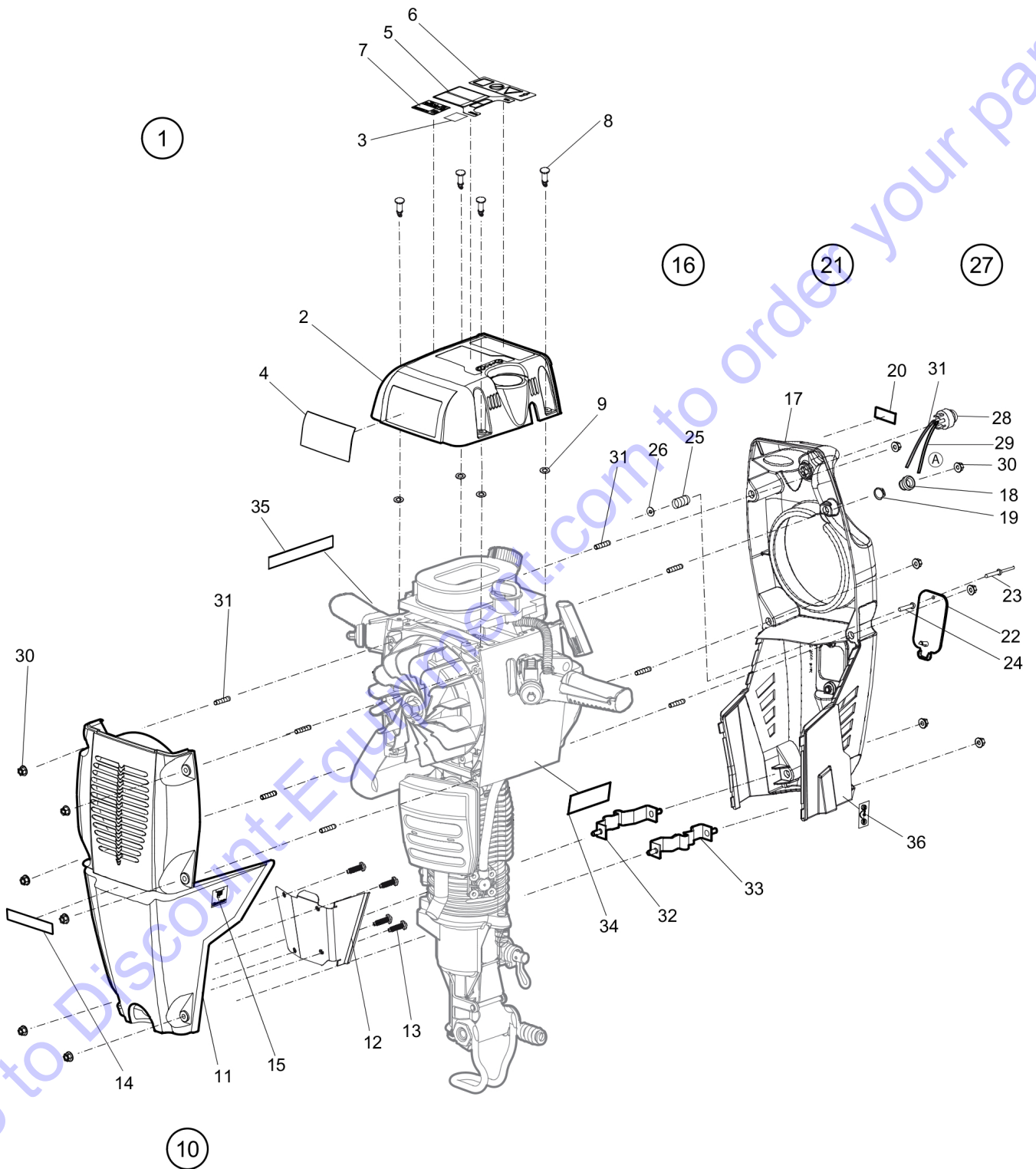
Go to Discount-Equipment.com to order your parts

NO EXPLODED VIEW  
AVAILABLE  
FOR THIS BOM

Go to [Discount-Equipment.com](https://Discount-Equipment.com) to order your parts

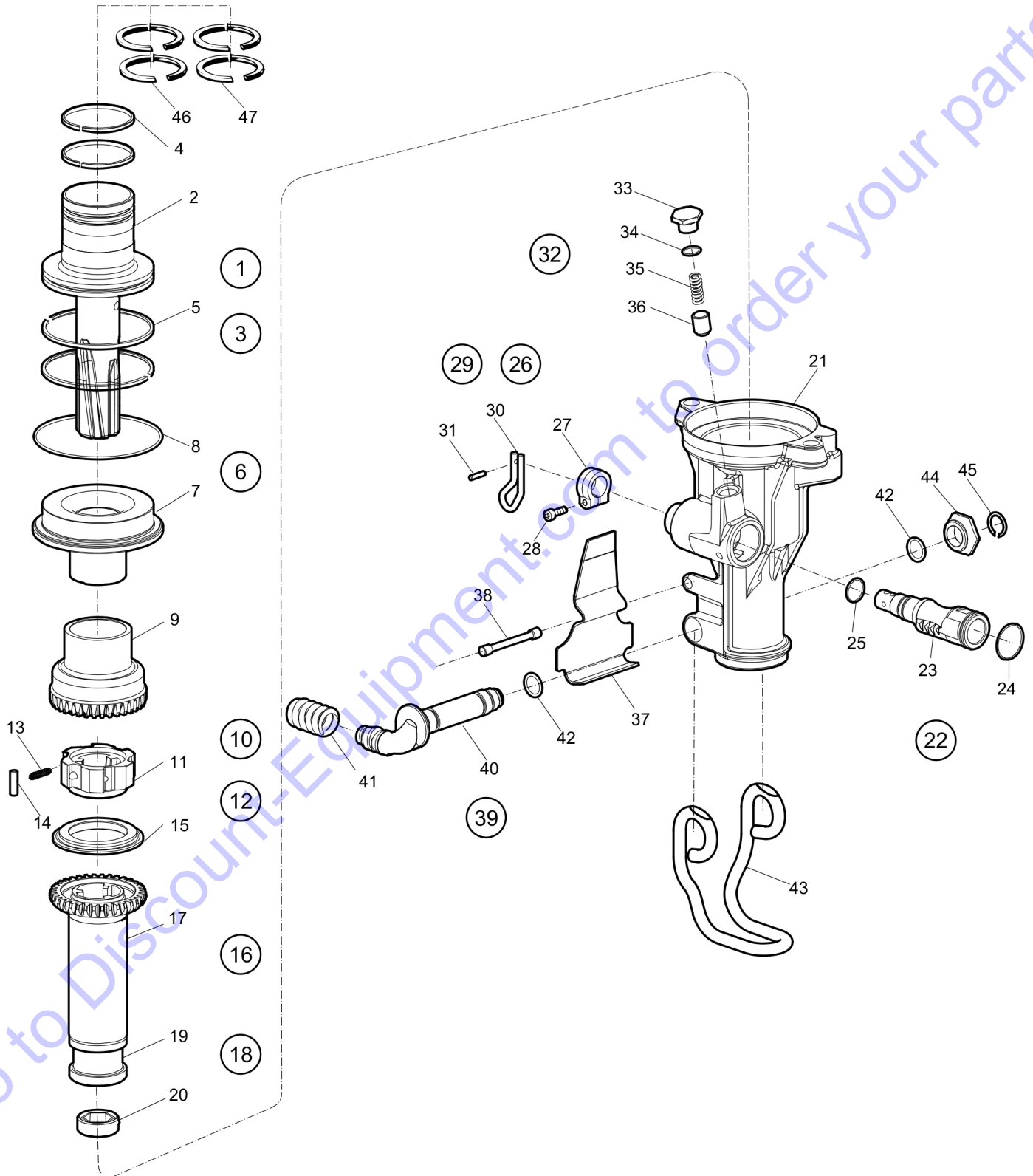
<b>Id</b>	<b>Qty</b>	<b>Number</b>	<b>Name</b>	<b>Specifications</b>
1	1	9234000912	Repair kit	
2	1		Clamp	
3	1		Clamp	
4	1		DIAPHRAGM	
5	1		DIAPHRAGM	

Go to Discount-Equipment.com to order your parts



<b>Id</b>	<b>Qty</b>	<b>Number</b>	<b>Name</b>	<b>Specifications</b>
1	1	9234020915	TOP COVER ASSY	
2	1		Top cover	
3	1	9234021006	NOISE LEVEL 108DB	
4	1	9234020920	DECAL	
5	1	9234001504	DECAL START	
6	1	9234000810	SAFETY LABEL	
7	1	9234000923	WARNING SIGN	
8	4	9234001499	FASTENER	
9	4	9234001501	HOLDER	
10	1	9234020916	Front cover, complete	
11	1		Front Cover	
12	1	9234001410	HEAT SHIELD	
13	4	0226330019	Tapping screw	
14	1	9234020919	DRILL LOGO	
15	1	9232221680	LABEL	
16	1	9234020912	BACK COVER Complete	
17	1		Back cover	
18	1	9232090530	ROPE GUIDE	
19	1	0335111700	CIRCLIP	
20	1	9234020869	OIL MIX LABEL	
21	1	9234000914	HATCH COVER ASSY	
22	1		Hatch cover	
23	1	9232080240	POP RIVET	
24	1	9232080230	RIVET	
25	1	9232040630	SPRING	
26	1	9232030980	WASHER	
27	1	9234001418	PRIME PUMP CPL. COBRA COMBI	
28	1		Prime pump	
29	1		Tube	
30	16		FLANGE NUT	
31	8	9232011660	STUD	
32	1	9234000781	BRACKET RIGHT ASSY	
33	1	9234000779	BRACKET LEFT ASSY	
34	1		Instruction label	
35	1	9234001128	LABEL	
36	1	9234001025	LABEL DRILL/BREAK	

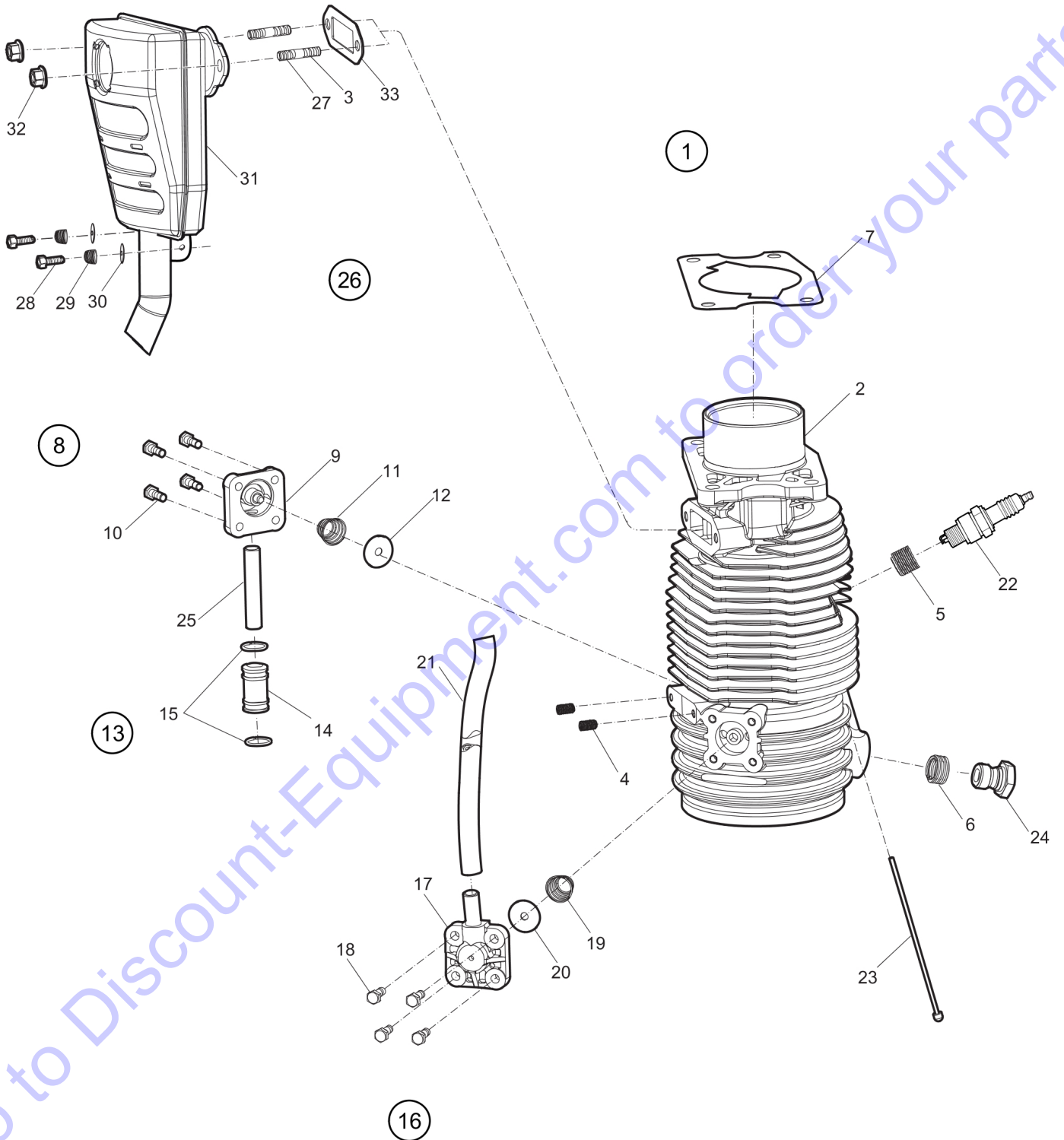




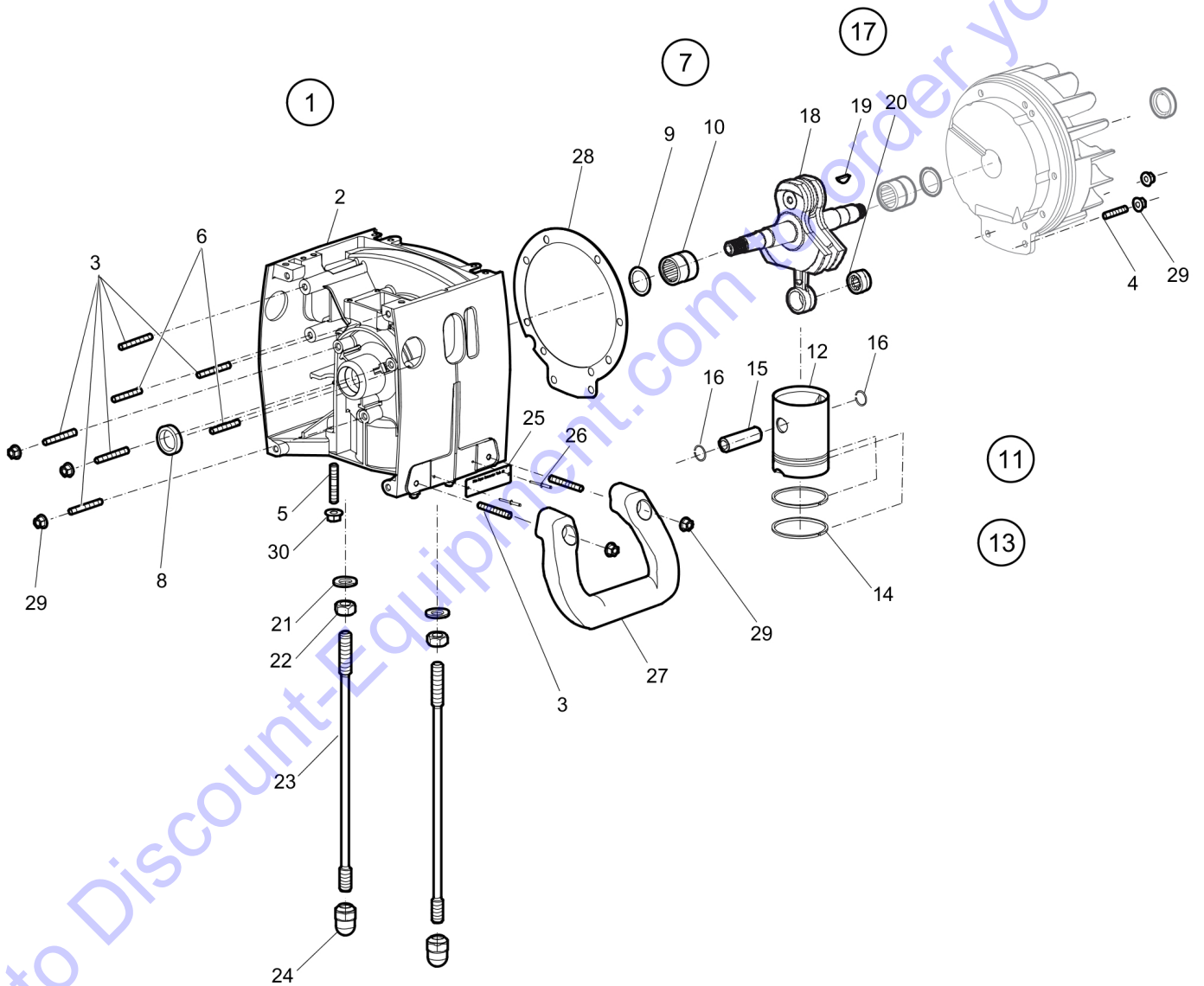
<b>Id</b>	<b>Qty</b>	<b>Number</b>	<b>Name</b>	<b>Specifications</b>
1	1	9234001515	Hammer piston cpl	
2	1		Hammer piston	
3	1	9234001516	RING SET	
4	2	9234001415	PISTON RING, 58.00 X 3.15 MM, 2.28 X 0.12 IN.	
5	2	9234001416	PISTON RING O90	
6	1	9232210641	PISTON GUIDE	
7	1		Piston guide	
8	1	9232120500	O-RING	
9	1	9232160470	RATCHET HOUSING	
10	1	9232210621	Swing wheel, complete	
11	1		Swing wheel	
12	1	9232210291	0 RET, ROLLER SET	
13	6	9232040650	SPRING	
14	6		Roller	
15	1	9232160480	SUPPORT WASHER	
16	1	9232160461	DRILLCHUCK A	
17	1		Drill chuck, 22 x 108 mm, 7/8 x 41/4 in.	
18	1	9232160451	DRILL CHUCK	
19	1		Collet, 22 x 108 mm, 7/8 x 41/4 in.	
20	1	9232120790	SEAL	
21	1	9232160440	Drill housing	
22	1	9232160492	OPERATING SH	
23	1		Operating shaft	
24	1	0663612900	O-RING	
25	1	9232120840	O-RING	
26	1	9232020661	Lock nut, complete	
27	1		Lock nut	
28	1	9232011300	SCREW	
29	1	9232160511	LEVER	
30	1		Palm grip	
31	1	9232060460	PIN	
32	1	9232160541	Spring housing, complete	
33	1		Spring housing	
34	1	9232120830	O-RING	
35	1	9232040440	SPRING	
36	1	9232130040	PLUNGER	
37	1	9232040280	YOKE SPRING	
38	1	9232060190	LOCK PIN	
39	1	9232160572	YOKE BOLT AS	
40	1		Yoke bolt	
41	1	9232040260	SPRING	
42	2	9232120180	O-RING	
43	1	9232160550	DRILL YOKE	
44	1	9232160560	WASHER	
45	1	9232050350	LOCKING RING	
46	2	9232210690	PISTON RING	

Id	Qty	Number	Name	Specifications
47	2	9232210700	Piston ring, optional, 58 x 3.45 mm, 2.28 x 0.14 in.	

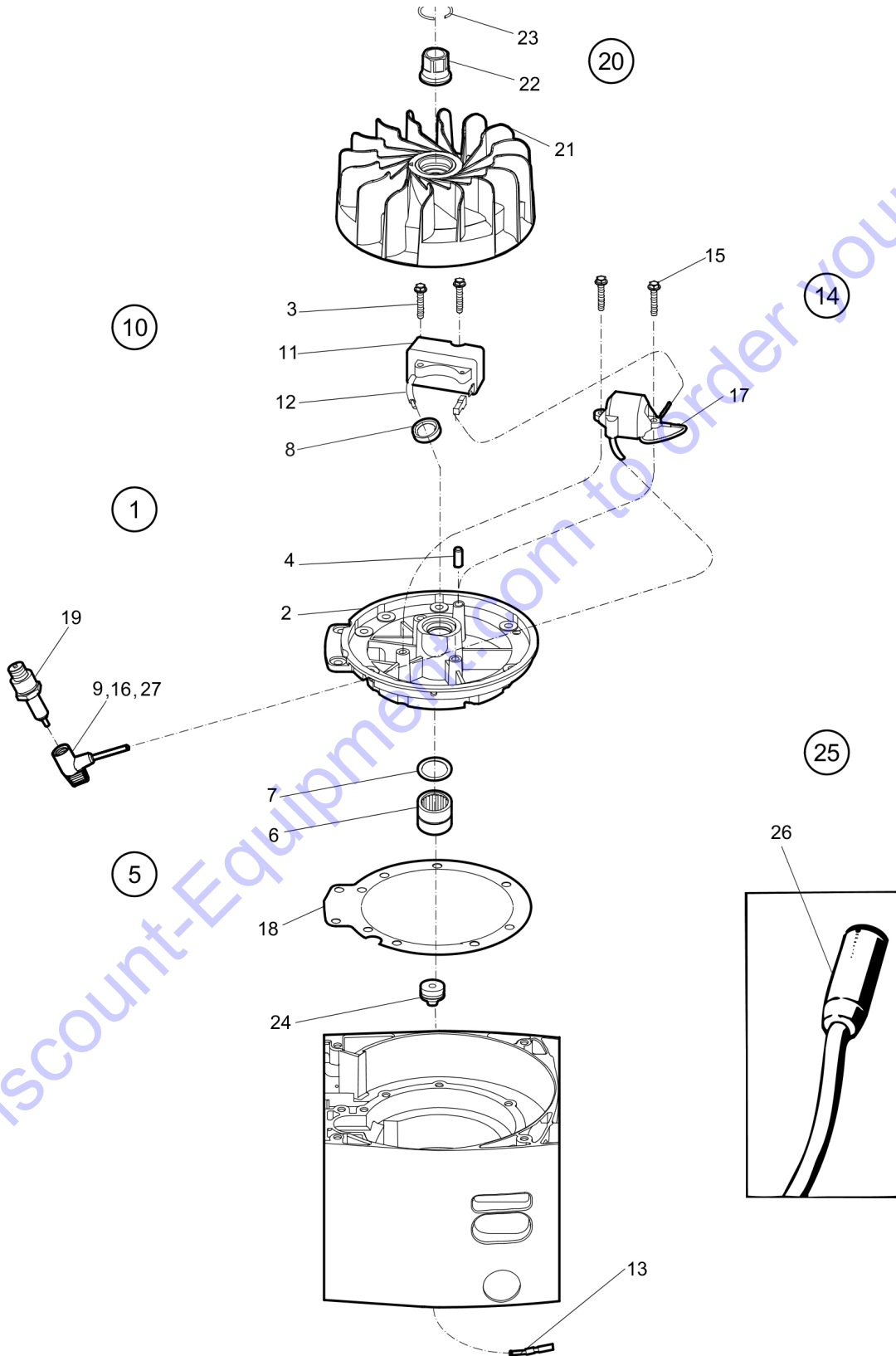
Go to Discount-Equipment.com to order your parts



<b>Id</b>	<b>Qty</b>	<b>Number</b>	<b>Name</b>	<b>Specifications</b>
1	1	9234001032	CYLINDER ASSY	
2	1		Cylinder	
3	2	9234000423	STUD	
4	2	9232180870	Thread insert, M5 x 0.8 x 10 mm, use HELICOL®	
5	1	9232180240	Thread insert, M14 x 1.25 x 12 mm, use HELICOL®	
6	1	9232180880	Thread insert, M16 x 1.25 x 8 mm, use HELICOL®	
7	1	9232120250	GASKET	
8	1	9232190252	VALVE BODY A	
9	1		Valve body	
10	4	9232011640	SCREW	
11	1	9232040190	SPRING	
12	1	9232190040	VALVE WASHER	
13	1	9232140131	RUBBER HOSE	
14	1		Rubber hose	
15	2	9232050350	LOCKING RING	
16	1	9232190292	VALVE BODY	
17	1		Valve body	
17	1		Valve body	
18	4	9232011640	SCREW	
19	1	9232040190	SPRING	
20	1	9232190040	VALVE WASHER	
17	1		Valve body	
21	1	9232140820	AIR HOSE	
22	1	9234000904	SPARK PLUG	
23	1	9232180211	CLEANING NEEDLE	
24	1	9232190051	GAS DUCT VALVE	
25	1	9232140140	TUBE	
26	1	9234001580	MUFFLER KIT	
27	2	9234000423	STUD	
28	2	0211121103	HEX. SOCK M5X30-8.8	
29	2	9234001479	SPRING	
30	2	0301231800	WASHER PLAIN	
31	1		Silencer	
32	2		FLANGE NUT	
33	1	9232121420	GASKET	

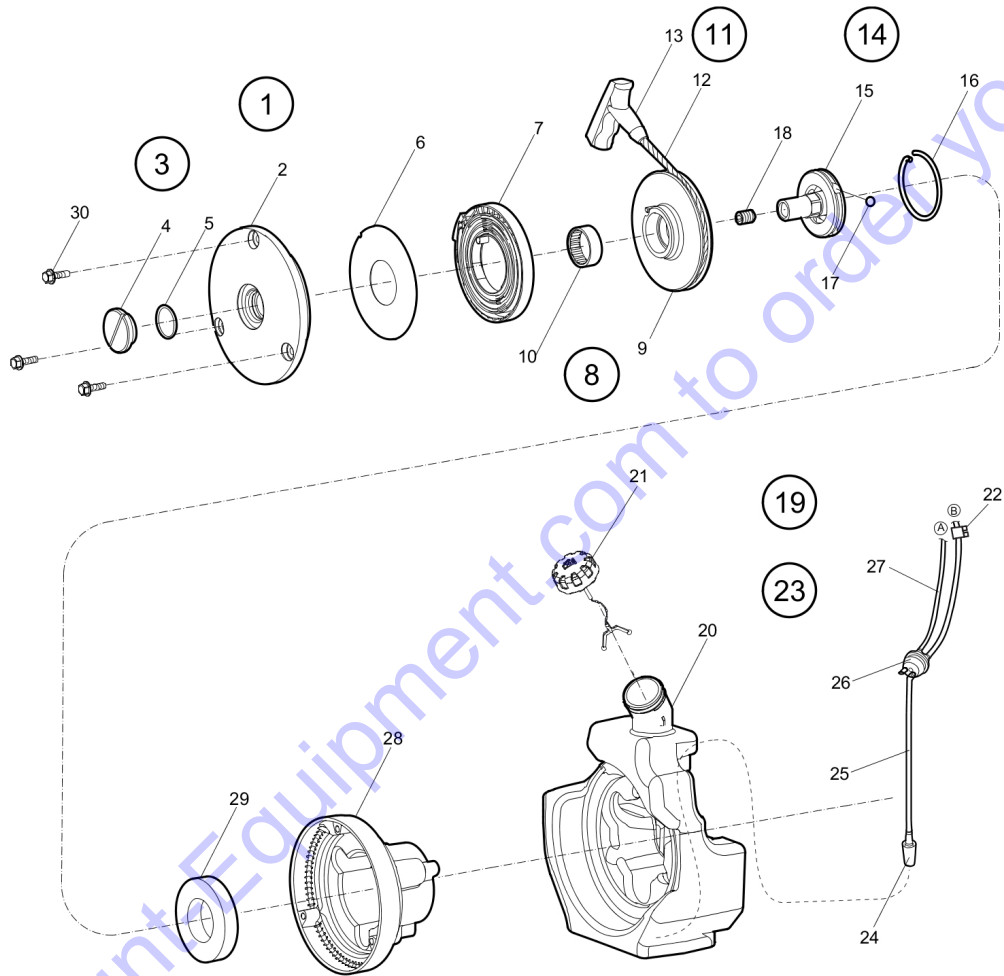


<b>Id</b>	<b>Qty</b>	<b>Number</b>	<b>Name</b>	<b>Specifications</b>
1	1	9234021332	CRANKCASE ASSY	
2	1		Crank case	
3	7	9232011680	STUD 6X45	
4	18	9232011660	STUD	
5	4	9232011620	STUD, M8 X 42 MM	
6	2	9232011670	STUD 6x35	
7	1	9232100302	NEEDLE BEARI	
8	1	9232120070	SEAL RING	
9	1		Needle bearing	
10	1		Disk	
11	1	9234001411	ENGINE PISTON ASSY	
12	1		Piston	
13	1	9234001554	Piston ring, complete, Complete set of 2 piston rings.	
14	2		Piston ring	
15	1	9232220410	PISTON PIN	
16	2	9232050110	LOCK RING	
17	1	9234001490	CRANKSHAFT A	
18	1		Crank shaft	
19	1	9232221420	KEY	
20	1	9232100070	NEEDLE BEARING	
21	2	9232030840	SPRING WASHER	
22	2	9232020610	NUT	
23	2	9232011160	SET BOLT	
24	2	9232020600	CAP NUT	
25	1		Data plate (Not available separately)	
26	2		Rivet	
27	1	9234000798	SIDE HANDLE ASSY	
28	1	9232120260	GASKET	
29	17		FLANGE NUT	
30	4	9232020800	FLANGE NUT	

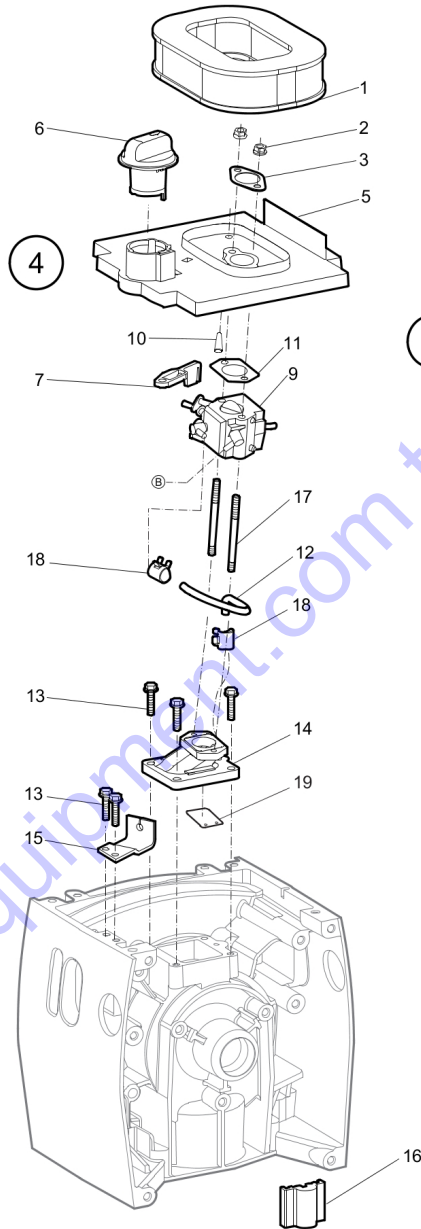




<b>Id</b>	<b>Qty</b>	<b>Number</b>	<b>Name</b>	<b>Specifications</b>
1	1	9234000853	COVER ASSY	
2	1		Cover	
3	2	9232011540	SCREW	
4	1	9232090340	GUIDE BUSHING	
5	1	9232100302	NEEDLE BEARI	
6	1		Needle bearing	
7	1		Disk	
8	1	9232120070	SEAL RING	
9	1		Spark plug cap	
10	1	9234000871	Electronic unit, complete	
11	1		Electronic unit	
12	1	9232230460	Protection hose	
13	1		Coupling sleeve	
14	1	9232260901	INDUCTION CO	
15	2	9232011540	SCREW	
16	1		Spark plug cap	
17	1		Induction coil	
18	1	9232120260	GASKET	
19	1	9234000904	SPARK PLUG	
20	1	9234021498	FLYWHEEL COMPLETE	
21	1		Flywheel	
22	1	9232020810	FLYWHEEL NUT	
23	1	9232050420	LOCK RING	
24	1	9232121490	SOCKET	
25	1	9234001555	INGNITION CABLE CPL.	
26	1		Ignition cable	
27	1		Spark plug cap	

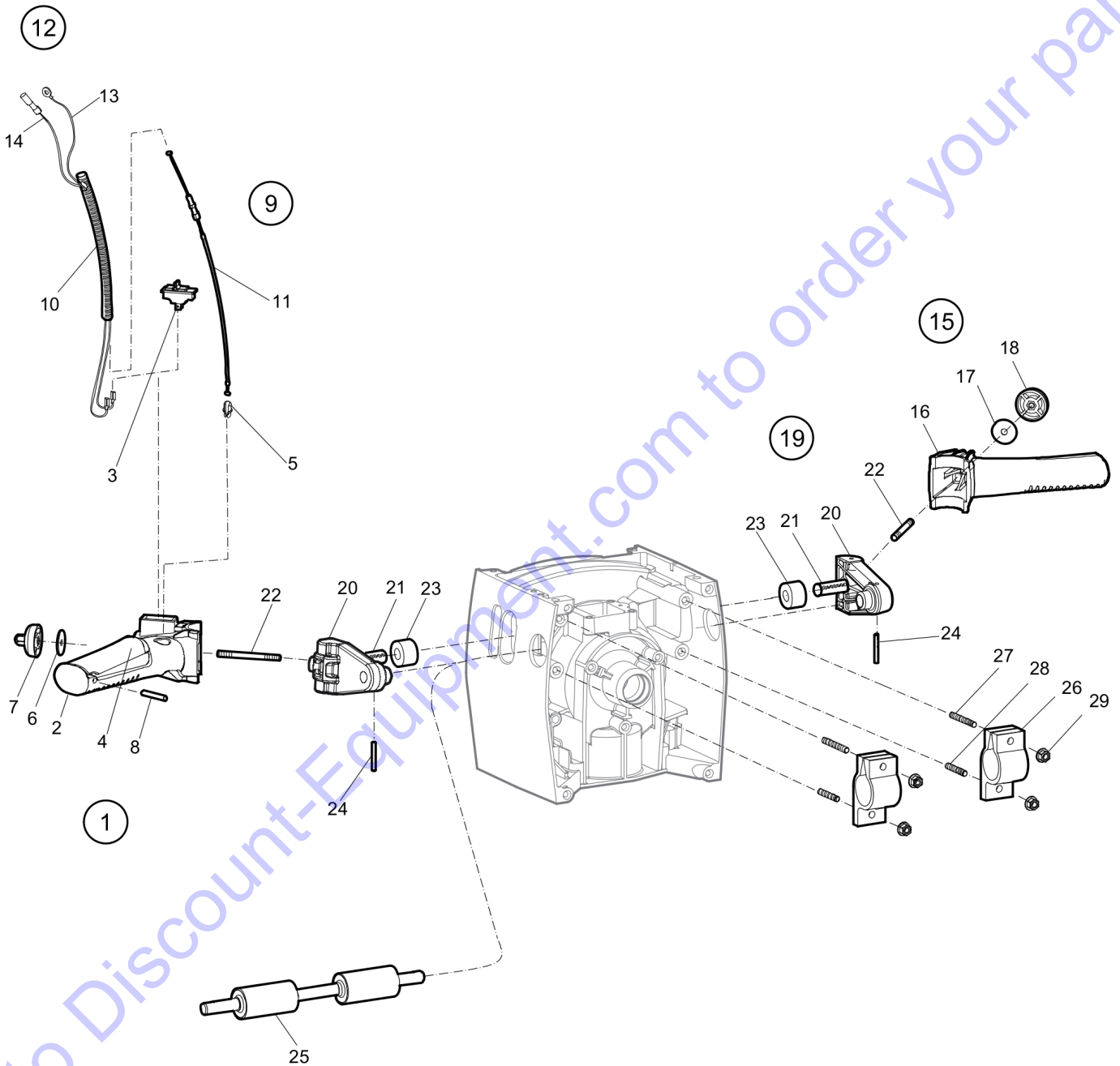


<b>Id</b>	<b>Qty</b>	<b>Number</b>	<b>Name</b>	<b>Specifications</b>
1	1	9232240621	Starter cover, complete	
2	1		Starter cover	
3	1	9232240651	SCREW CAP	
4	1		Screw cap	
5	1	9232121390	O-RING	
6	1	9232240640	WEARING WASHER	
7	1	9232240771	CobraCombie Spring Cart	
8	1	9232240501	STARTER PULL	
9	1		Starter pulley	
10	1	9232100380	NEEDLE BEARING	
11	1	9234000900	STARTER ROPE	
12	1	9232240510	STARTER ROPE	
13	1	9234000045	HANDLE	
14	1	9232240101	ONE-WAY CLUT	
15	1		One-way clutch	
16	1	9232050120	SNAP RING	
17	4	9232130020	0BALL 8 MM	
18	1	9232010430	SCREW	
19	1	9234001625	FUEL TANK	
20	1		Fuel tank	
21	1	9234001519	Tank cap	
22	1	9234020836	HOSE CLIP	
23	1	9234001624	TANK GROMMET ASSY	
24	1	9234000889	FUEL FILTER	
25	1	9234001621	PIPE	
26	1	9234000483	TANK GROMMET	
27	1	9234001622	PIPE	
28	1	9232240610	CENTER TUBE	
29	1	9232120290	DUST PROTECTION RING	
30	3	9232011530	SCREW	



<b>Id</b>	<b>Qty</b>	<b>Number</b>	<b>Name</b>	<b>Specifications</b>
1	1	9234000136	AIR FILTER	
2	2	9232020880	NUT	
3	1	9234000063	PLATE	
4	1	9234001492	FILTER CASSETTE	
5	1		Filter cassette	
6	1	9234001491	CHOKE HANDLE	
7	1	9234001030	CHOKE ARM	
8	1	9234001825	SPAREPART KIT CARBURATOR	
9	1		Carburettor	
10	1	9234001652	SILICONE PLUG	
11	1	9234000137	GASKET	
12	1	9234000887	TUBE	
13	6	9232011880	FLANGE SCREW	
14	1	9234000765	REED VALVE SUB ASSY	
15	1	9234000804	WIRE ATTACHMENT	
16	1	9234000917	SPACER ELEMENT	
17	2	9234000180	STUD	
18	2	9234000921	HOSE CLIP	
19	1	9234000164	REED LAMELLA	

Go to Discount-Equipment.com to order your parts



<b>Id</b>	<b>Qty</b>	<b>Number</b>	<b>Name</b>	<b>Specifications</b>
1	1	9234000805	HANDLE ASSY L	
10	1		Protection cover	
11	1		Wire	
12	1	9234000847	TUBE COVER ASSEMBLY	
13	1		Cable	
14	1		Cable	
14	1		Cable	
14	1		Cable	
15	1	9234000807	HANDLE ASSY R	
16	1		Handle	
16	1		Handle	
17	1	9234000584	WASHER	
18	1	9234000218	HANDEL KNOB	
16	1		Handle	
19	1	9234001478	HANDLE BAR ASSY	
20	1		Handle bar	
21	1		Connex pin	
22	1	9234001040	STUD	
23	1	9234000910	DAMPER	
24	2	9232060660	PIN	
25	1	9234000761	HANDLE SPRING	
26	2	9234000850	CLAMP	
27	2	9232011680	STUD 6X45	
28	2	9232011670	STUD 6x35	
29	4		FLANGE NUT	

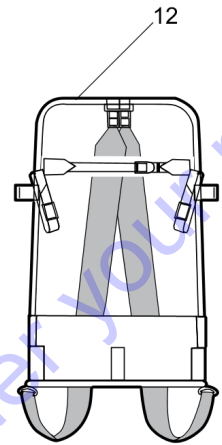
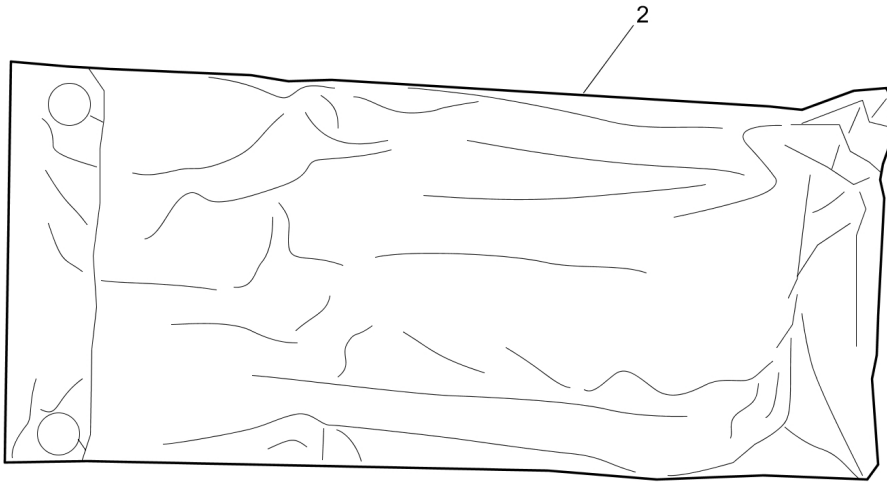
Go to Discount-Equipment.com to order your parts

NO EXPLODED VIEW  
AVAILABLE  
FOR THIS BOM

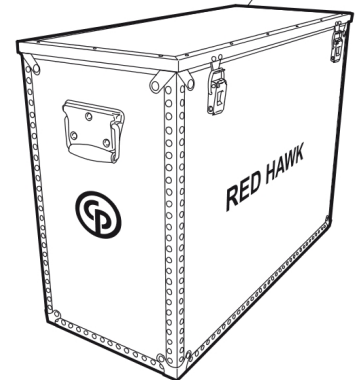
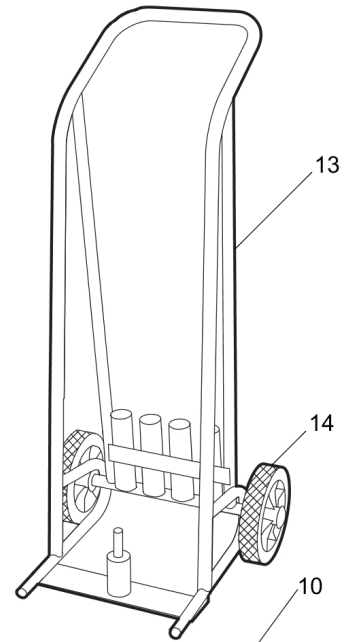
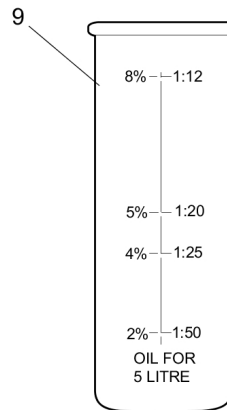
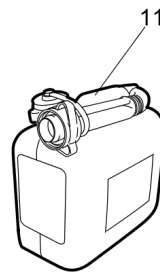
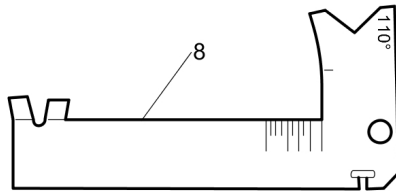
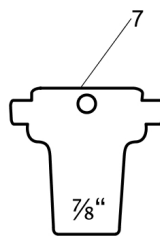
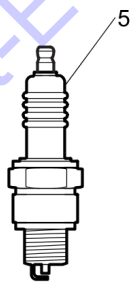
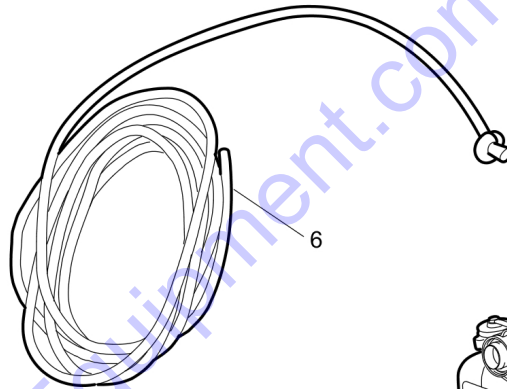
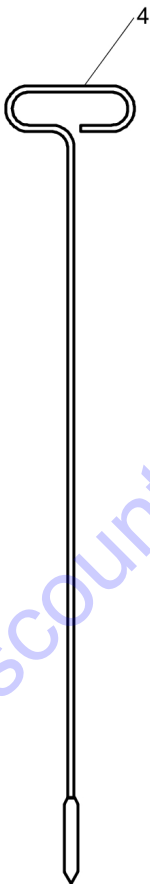
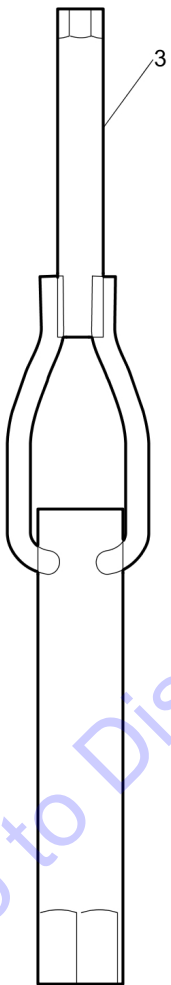
Go to Discount-Equipment.com to order your parts



Id	Qty	Number	Name	Specifications
-			M5 nut, lower filter cap	4 Nm
-			M5 screw, compressor valve	8 Nm
-			M5 screw, ignition coil	4.5 Nm
-			M5 screw, ignitor	6 Nm
-			M5 screw, retainer ring on operating shaft	7 Nm
-			M5 screw, reed valve and wire attachment	8 Nm
-			M5 screw, silencer	5 Nm
-			M6 screw	10 Nm
-			M6 nut	10 Nm
-			M6 nut, silencer	14 Nm
-			M8 nut, cylinder	30 Nm
-			M12	23 Nm
-			Spark plug to cylinder	25 Nm
-			Gas duct valve to cylinder	42 Nm
-			Flywheel nut	60 Nm
-			One-way clutch	70 Nm
-			Stop screw	30 Nm
-			M4-adapter on spark plug	2 Nm
-			Selfthreading screw for reed, 3x8 mm	2 Nm
-			TX9 screw, front cover shield	1.2 Nm
-			M8/M6 handle stud	10 Nm



1								
2	3	4	5	6	7	8	9	



Id	Qty	Number	Name	Specifications
1	1	9234000905	TOOL BAG ASSY	
2	1	9238271020	Tool bag	
3	1	9238271400	SOCKET WRENCH	
4	1	9238270100	CLEANING NEEDLE	
5	1	9234000904	SPARK PLUG	
6	1	9232240510	STARTER ROPE	
7	1	9238270790	TEMPLATE	
8	1	9238270810	TOOL	
9	1	9238271840	OIL MEASURE	
10	1	9234001125	MACHINE BOX RED HAWK	
11	1	9234000897	Petrol can 5.0 litres, 1.1 gal	Not approved in US according to EPA regulations.
12	1	9238281410	CARRYING HAR	
13	1	9234000654	Trolley	
14	1	9234021139	Spare wheel, complete	

Go to Discount-Equipment.com to order your parts

# PARTS FINDER

**Search Website  
by Part Number**



**Search Manual  
Library For Parts  
Manual & Lookup Part  
Numbers – Purchase  
or Request Quote**

**Search Manuals**

Enter your information to help us find the right parts manual for your machine.

\* Brand:

\* Model:

\* Serial:

\* Part Number:

SEARCH

**Can't Find Part or  
Manual? Request Help  
by Manufacturer,  
Model & Description**

**Parts Order Form**

Please fill in the following information to help us find the right part for your machine.

Manufacturer:	<input type="text"/>
Model:	<input type="text"/>
Description:	<input type="text"/>
Part Number:	<input type="text"/>
Quantity:	<input type="text"/>
Notes:	<input type="text"/>

Submit

Discount-Equipment.com is your online resource for quality parts & equipment.

Florida: **561-964-4949** Outside Florida TOLL FREE: **877-690-3101**

**Need parts?**

Click on this link: <http://www.discount-equipment.com/category/5443-parts/> and choose one of the options to help get the right parts and equipment you are looking for. Please have the machine model and serial number available in order to help us get you the correct parts. If you don't find the part on the website or on one of the online manuals, please fill out the request form and one of our experienced staff members will get back to you with a quote for the right part that your machine needs.

We sell worldwide for the brands: Genie, Terex, JLG, MultiQuip, Mikasa, Essick, Whiteman, Mayco, Toro Stone, Diamond Products, Generac Magnum, Airman, Haulotte, Barreto, Power Blanket, Nifty Lift, Atlas Copco, Chicago Pneumatic, Allmand, Miller Curber, Skyjack, Lull, Skytrak, Tsurumi, Husquvarna Target, Stow, Wacker, Sakai, Mi-T-M, Sullair, Basic, Dynapac, MBW, Weber, Bartell, Bennar Newman, Haulotte, Ditch Runner, Menegotti, Morrison, Contec, Buddy, Crown, Edco, Wyco, Bomag, Laymor, EZ Trench, Bil-Jax, F.S. Curtis, Gehl Pavers, Heli, Honda, ICS/PowerGrit, IHI, Partner, Imer, Clipper, MMD, Koshin, Rice, CH&E, General Equipment, Amida, Coleman, NAC, Gradall, Square Shooter, Kent, Stanley, Tamco, Toku, Hatz, Kohler, Robin, Wisconsin, Northrock, Oztec, Toker TK, Rol-Air, APT, Wylie, Ingersoll Rand / Doosan, Innovatech, Con X, Ammann, Mecalac, Makinex, Smith Surface Prep, Small Line, Wanco, Yanmar