



[www.discount-equipment.com](http://www.discount-equipment.com)

---

Filter	9800167401,APP 502561 -   9800167401,BES 47029 - 47029
Identity	9800167401
Specifications	Product number: 8318090031, Product number: 8318090033, Product number: 8318090035, Product number: 8318090037, Product number: 8318090039, Product number: 8318090069, Product number: 8318090063, Division: Portable Air, Product group: Petrol handheld, Product type: Petrol tie tamper, Product: RED HAWK, Product: CP RAIL, Product Company: Antwerp

# PARTS FINDER

**Search Website  
by Part Number**



**Search Manual  
Library For Parts  
Manual & Lookup Part  
Numbers – Purchase  
or Request Quote**

**Search Manuals**

Enter your information to help us find the right parts manual for your machine.

\* Brand:

\* Model:

\* Serial:

\* Part Number:

SEARCH

**Can't Find Part or  
Manual? Request Help  
by Manufacturer,  
Model & Description**

**Parts Order Form**

Please fill in the following information to help us find the right part for your machine.

Manufacturer:	<input type="text"/>
Model:	<input type="text"/>
Description:	<input type="text"/>
Part Number:	<input type="text"/>
Quantity:	<input type="text"/>
Notes:	<input type="text"/>

Discount-Equipment.com is your online resource for quality parts & equipment.

Florida: **561-964-4949** Outside Florida TOLL FREE: **877-690-3101**

**Need parts?**

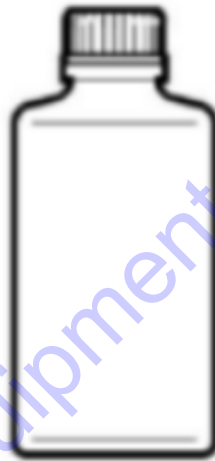
Click on this link: <http://www.discount-equipment.com/category/5443-parts/> and choose one of the options to help get the right parts and equipment you are looking for. Please have the machine model and serial number available in order to help us get you the correct parts. If you don't find the part on the website or on one of the online manuals, please fill out the request form and one of our experienced staff members will get back to you with a quote for the right part that your machine needs.

We sell worldwide for the brands: Genie, Terex, JLG, MultiQuip, Mikasa, Essick, Whiteman, Mayco, Toro Stone, Diamond Products, Generac Magnum, Airman, Haulotte, Barreto, Power Blanket, Nifty Lift, Atlas Copco, Chicago Pneumatic, Allmand, Miller Curber, Skyjack, Lull, Skytrak, Tsurumi, Husquvarna Target, Stow, Wacker, Sakai, Mi-T-M, Sullair, Basic, Dynapac, MBW, Weber, Bartell, Bennar Newman, Haulotte, Ditch Runner, Menegotti, Morrison, Contec, Buddy, Crown, Edco, Wyco, Bomag, Laymor, EZ Trench, Bil-Jax, F.S. Curtis, Gehl Pavers, Heli, Honda, ICS/PowerGrit, IHI, Partner, Imer, Clipper, MMD, Koshin, Rice, CH&E, General Equipment, Amida, Coleman, NAC, Gradall, Square Shooter, Kent, Stanley, Tamco, Toku, Hatz, Kohler, Robin, Wisconsin, Northrock, Oztec, Toker TK, Rol-Air, APT, Wylie, Ingersoll Rand / Doosan, Innovatech, Con X, Ammann, Mecalac, Makinex, Smith Surface Prep, Small Line, Wanco, Yanmar

Cobra mix-oil	Cobramixoil
Cobra Impact-oil	CobraImpactoil
Working tools 25 x 108 mm (Hex. 1 x 4 1/4 in) flat to flat (US)	Workingtools25x108US
Working tools 25 x 108 mm (Hex.1 x 4 1/4 in) Point to Flat (ISO)	Workingtools25x108iso
Working tools 28 x 152 mm (Hex. 1 1/8 x 6 in) Flat to Flat (US)	workingtool28x152us
Working tools 32 x 160 mm (Hex.1 1/4 x 6 1/4 in) Point to Flat (ISO)	WorkingTools32x160mm
Working tools 28 x 160 mm (Hex.1 1/8 x 6 1/4 in) Point to Flat (ISO)	Workingtools28x160mm
Working tools 32 x 152 mm (Hex. 1 1/4 x 6 in) Flat to Flat (US)	WorkingToolsHex32x152mm
Service kit	no-illustration_Servicekit
Seal kit	no-illustration_Sealkit
Breaker and hammer AIR-OIL	no-illustration
Carburettor repair kit	
Body	
Motor	
Percussion unit	
Fuel tank	
Handle assembly	
Tightening torque	
Accessories	
Dimensions, mm (in.)	mdb_ac_rh_04431

Go to Discount-Equipment.com to order your parts

Description	Remarks	Part number	
Cobra Mix-OIL	12 x 100 ml bottles (3.4 US fl oz). For mixing on 5 l (1.32 US gal) petrol can	1	9238 2743 40
	1 l bottle (34 US fl oz)	2	9238 2743 50
	12 x 1 l bottles (34 US fl oz)	3	9234 0014 06

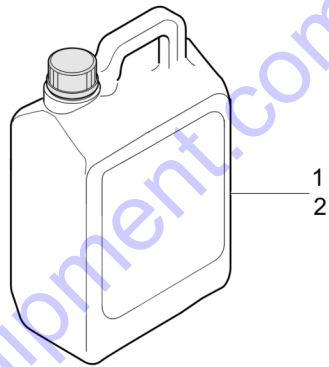


For tech. details check next page

Id	Qty	Number	Name	Specifications
1	1	9238274340	Cobra mix oil, 12 x 100 ml bottles (3.4 US fl oz). For mixing on 5 l (1.32 US gal) petrol can	
2	1	9238274350	TWO STROKE OIL	
3	1	9234001406	Cobra mix oil, 12 x 1 l bottles (34 US fl oz)	

Go to Discount-Equipment.com to order your parts

Description	Remarks	Part number
Cobra Impact-OIL	1 l bottle (34 US fl oz)	1 9234 0012 03
	20 x 1 l bottles (34 US fl oz)	2 9234 0014 05



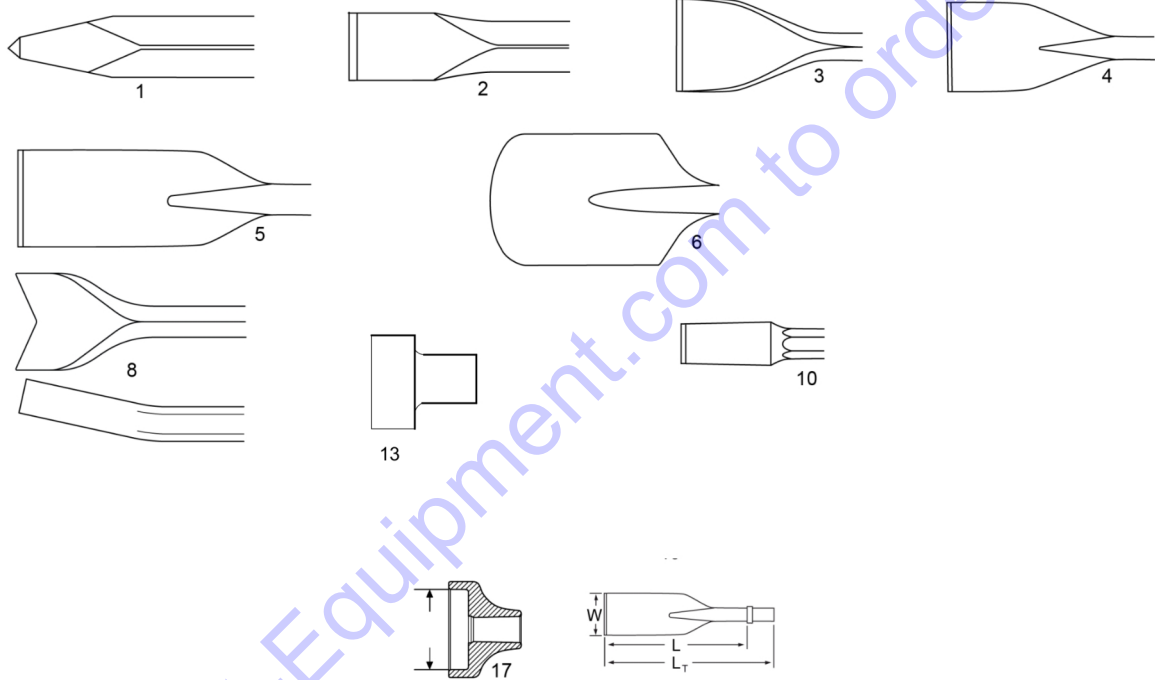
For tech. details check next page



<b>Id</b>	<b>Qty</b>	<b>Number</b>	<b>Name</b>	<b>Specifications</b>
1	1	9234001203	IMPACT OIL	
2	1	9234001405	Cobra & compactor Impact-oil, 20 x 1 l bottles (34 US fl oz)	

Go to Discount-Equipment.com to order your parts

Description	Working length		Total length		Blade / Tip width		Weight kg <sup>1)</sup>	Part number	
	mm	in	mm	in	mm	in			
Moil point	380	15	500	20	-	-	2.1	<b>1</b>	3083 4030 00
	450	18	570	22	-	-	2.5	<b>1</b>	3083 4030 10
	610	24	730	29	-	-	3.1	<b>1</b>	3083 4030 20
Narrow chisel	380	15	500	20	-	-	2.1	<b>2</b>	3083 3309 00
	450	18	570	22	-	-	2.5	<b>2</b>	3083 4031 10
	610	24	730	29	-	-	3.1	<b>2</b>	3083 4031 20
Wide chisel	380	15	500	20	75	3	2.5	<b>3</b>	3083 3310 00
	380	15	500	20	40	1½	2.4	<b>3</b>	3083331300
Asphalt cutter	330	13	450	18	125	5	2.9	<b>4</b>	3083 4033 00
Digging spade	330	13	450	18	120	4¾	4.0	<b>5</b>	3083 3312 00
Clay spade	410	16	530	21	125	5	3.8	<b>6</b>	3083 4035 00
Shaft for pad	280	11	400	16	-	-	2.0	<b>7</b>	3083 4037 00
Tamping pad	-	-	-	-	Ø175	Ø7	7.5	<b>8</b>	3083 3252 10
	-	-	-	-	□175	□7	6.0	<b>8</b>	3083 3239 01
Driver pad	-	-	-	-	Ø65	Ø2 ½	2.5	<b>9</b>	3371 8060 39
	-	-	-	-	Ø100	Ø4	2.5	<b>9</b>	9245 2817 90
Tie tamper	450	18	570	23	90	3.5	4.4	<b>10</b>	3083 3320 00

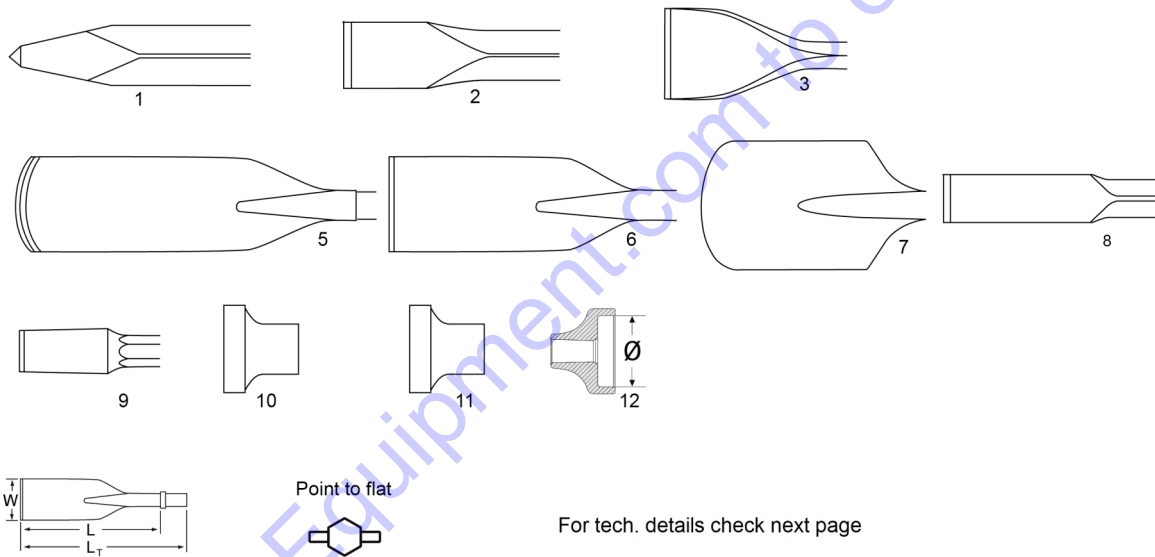


For tech. details check next page

Id	Qty	Number	Name	Specifications
1	1	3083403000	MOIL POINT	
1	1	3083403010	MOIL POINT	
1	1	3083403020	MOIL POINT	
2	1	3083330900	NARROW CHISEL	
2	1	3083403110	NARROW CHISEL	
2	1	3083403120	Narrow Chisel H25X108 Mm (1" X 4 1/4")	
3	1	3083331000	WIDE CHISEL	
3	1	3083331300	WEDGE CHISEL	
4	1	3083403300	ASPHALT CUTTER	
5	1	3083331200	DIGGING SPADE	
6	1	3083403500	CLAY SPADE	
7	1	3083403700	SHAFT FOR PAD	
8	1	3083325210	TAMPING PAD	
8	1	3083323901	SQUARE TAMPING PAD 175MM	
9	1	3371806039	65MM DRIVING PAD	
9	1	9245281790	DRIVER PAD 100 MM FOR	
10	1	3083332000	TIE TAMPER 25 X 108 MM	

Go to Discount-Equipment.com to order your parts

Description	Working length		Total length		Blade / Tip width		Weight	Part number	
	mm	in	mm	in	mm	in	kg <sup>1)</sup>		
Moil point	380	15	500	20	-	-	2.1	<b>1</b>	3083 3253 00
Narrow chisel	380	15	500	20	-	-	2.1	<b>2</b>	3083 3254 00
Wide chisel	380	15	500	20	75	3	2.5	<b>3</b>	3083 3255 00
Digging chisel	380	15	500	20	75	3	3.2	<b>4</b>	3083 3256 00
Digging spade	380	15	500	20	120	3 ¾	3.9	<b>5</b>	3083 3257 00
Clay spade	430	17	550	22	125	5	3.3	<b>6</b>	3083 3033 00
Wedge chisel	380	15	500	20	35	1 ¾	2.4	<b>7</b>	3083 3258 00
Shaft for pad	280	11	400	16	-	-	1.9	<b>8</b>	3083 3259 00
Tamping pad	-	-	-	-	Ø175	Ø7	7.5	<b>9</b>	3083 3252 10
Tamping pad square	-	-	-	-	□175	□7	6.0	<b>10</b>	3083 3239 01
Driver pad	-	-	-	-	Ø65	Ø2 ½	3.0	<b>11</b>	3371 8060 39
	-	-	-	-	Ø100	Ø5	4	<b>11</b>	9245 2817 90

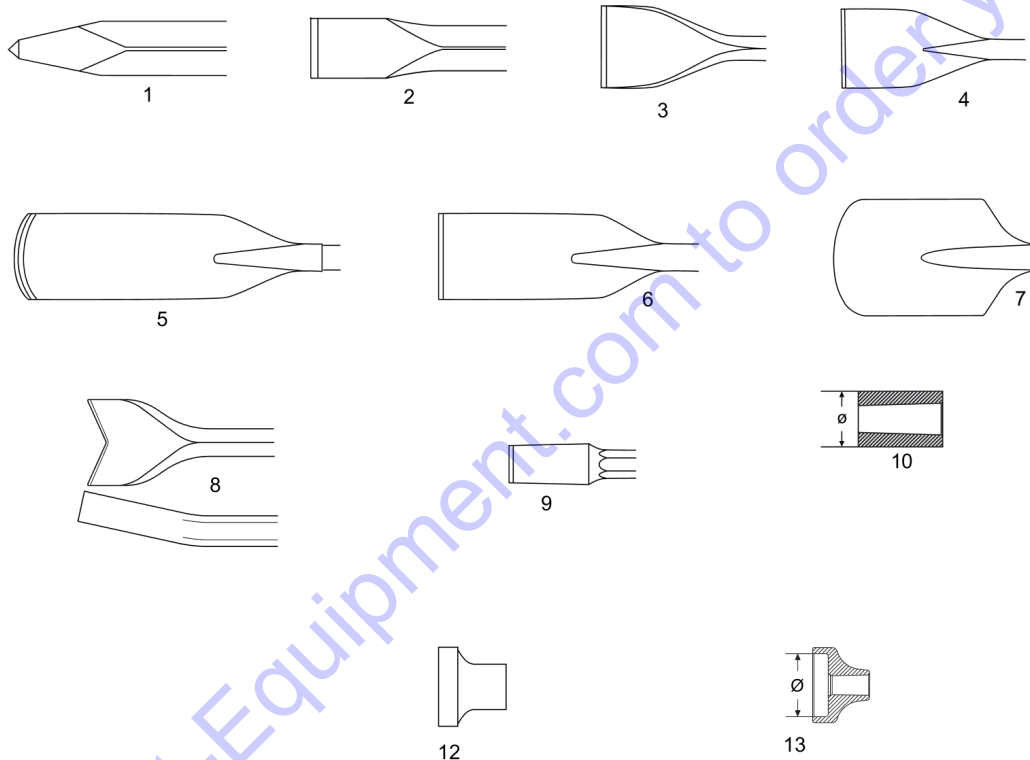


Id	Qty	Number	Name	Specifications
1	1	3083325300	MOIL POINT	
2	1	3083325400	NARROW CHISEL	
3	1	3083325500	WIDE CHISEL	
4	1	3083325600	DIGGING CHISEL	
5	1	3083325700	DIGGING SPADE	
6	1	3083303300	CLAY SPADE	
7	1	3083325800	WEDGE CHISEL	
8	1	3083325900	SHAFT FOR PAD	
9	1	3083325210	TAMPING PAD	
10	1	3083323901	SQUARE TAMPING PAD 175MM	
11	1	9245281790	DRIVER PAD 100 MM FOR	
11	1	3371806039	65MM DRIVING PAD	

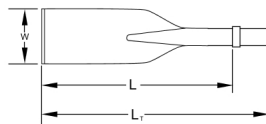
Go to Discount-Equipment.com to order your parts

Description	Working length		Total length		Blade / Tip width		Weight kg <sup>1)</sup>		Part number
	mm	in	mm	in	mm	in			
Moil point	350	14	515	20	-	-	2.6	1	3083 3267 00
	450	18	615	24	-	-	3.3	1	3083 4015 10
	610	24	775	30	-	-	4.1	1	3083 4015 20
Narrow chisel	350	14	515	20	-	-	2.6	2	3083 3268 00
	450	18	615	24	-	-	3.3	2	3083 4016 10
	610	24	775	30	-	-	4.1	2	3083 4016 20
Wide chisel	380	15	545	21	75	3	3.1	3	3083 3289 00
	450	18	615	24	75	3	3.6	3	3083 4017 00
Asphalt cutter	280	11	445	18	115	4 ½	3.6	4	3083 4019 00
Digging chisel	380	15	545	21	75	3	4.2	5	3083 3291 00
Digging spade	320	13	485	19	125	5	3.8	6	3083 3292 00
Clay spade	380	15	545	21	140	5 ½	5.0	7	3083 3293 00
Shaft for pad	230	9	395	16	-	-	2.8	8	3083 3269 00
Tamping pad	-	-	-	-	Ø180	Ø7	7.2	9	3083 3301 00
	-	-	-	-	□150	□6	8.3	9	3083 3302 00
	-	-	-	-	□200	□8	8.5	9	3083 3197 00
Driver blank	-	-	-	-	Ø80	Ø3	3.5	10	9245 2827 10
Tie Tamper	400	15.7	562	22	100	4	4.2	11	3083 4020 10
Driver Pad	-	-	-	-	Ø120	Ø5	6.0	12	3376 1120 79
	-	-	-	-	Ø150	Ø6	7.0	12	3376 1120 77





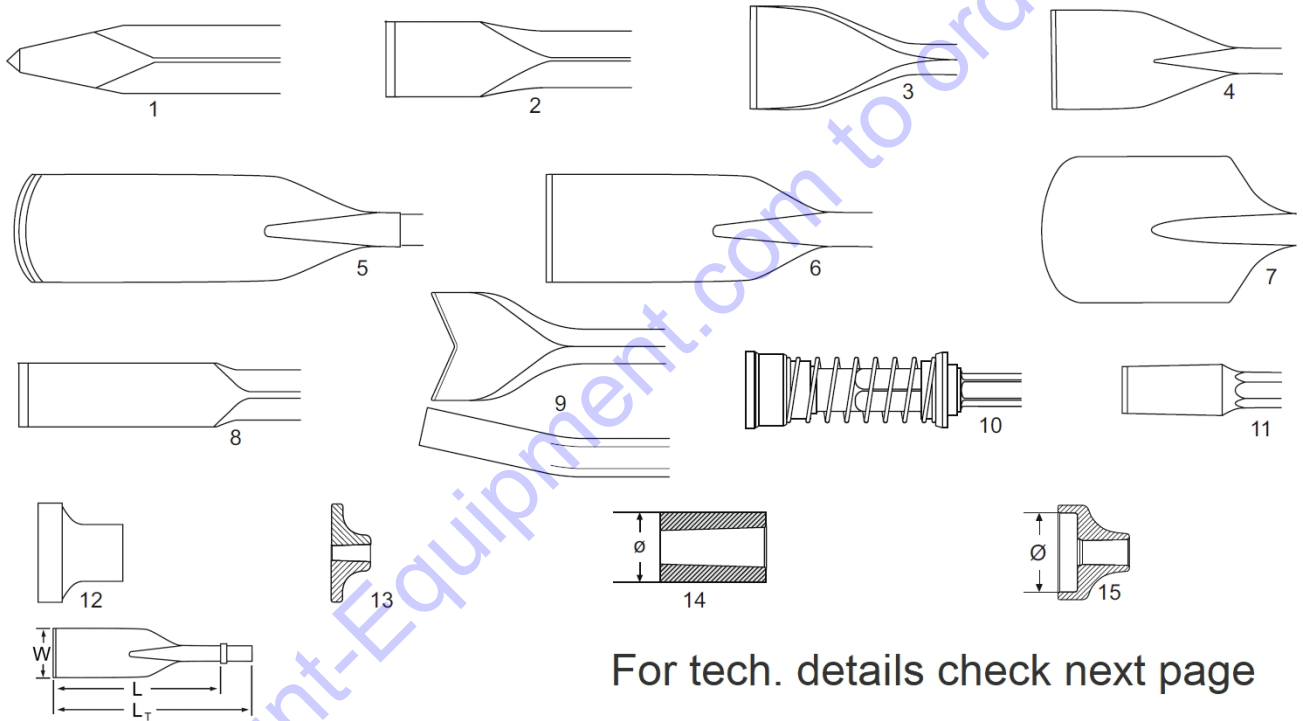
For tech. details check next page



<b>Id</b>	<b>Qty</b>	<b>Number</b>	<b>Name</b>	<b>Specifications</b>
1	1	3083326700	Moil Point H28X152 Mm (1 1/8" X 6")	
1	1	3083401510	Moil Point H28X152 Mm (1 1/8" X 6")	
1	1	3083401520	MOIL POINT	
2	1	3083326800	NARROW CHISEL	
2	1	3083401610	Narrow Chisel H28X152 Mm (1 1/8" X 6")	
2	1	3083401620	Narrow Chisel H28X152 Mm (1 1/8" X 6")	
3	1	3083328900	WIDE CHISEL	
3	1	3083401700	WIDE CHISEL	
4	1	3083401900	ASPHALT CUTTER	
5	1	3083329100	DIGGING CHISEL	
6	1	3083329200	Digging Spade H28X152 Mm (1 1/8" X 6")	
7	1	3083329300	CLAY SPADE	
8	1	3083326900	SHAFT FOR PAD	
9	1	3083330100	TAMPING PAD	
9	1	3083330200	TAMPING PAD	
9	1	3083319700	TAMPING PAD	
10	1	9245282710	DRIVER BLANK	
11	1	3083402010	Tie Tamper H28X152 Mm (1 1/8" X 6")	
12	1	3376112079	DRIVER PAD 120 MM FOR	
12	1	3376112077	DRIVER PAD 150 MM FOR	

Go to Discount-Equipment.com to order your parts

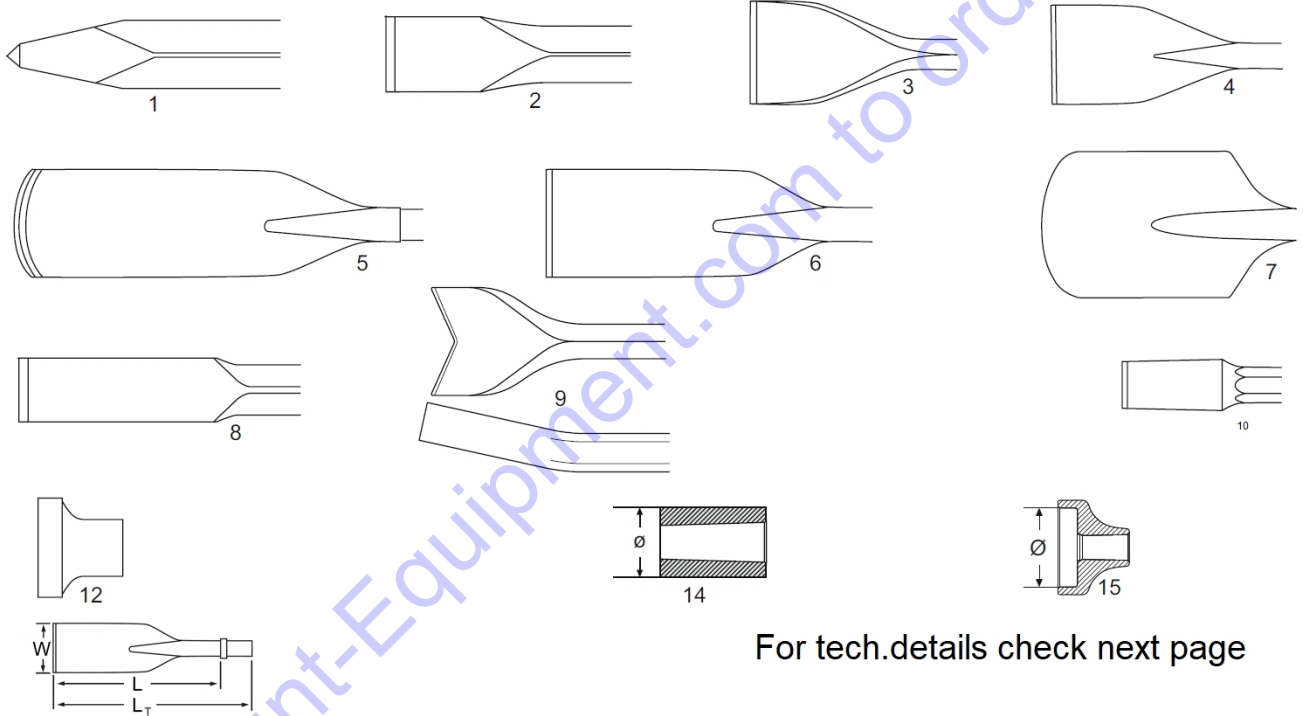
Description	Working length		Total length		Blade / Tip width		Weight	Part number
	mm	In	mm	In	mm	In	kg <sup>1)</sup>	
Moil point	380	15	545	21	-	-	3.5	3083 3205 00
	450	18	615	24	-	-	4.0	3083 3206 00
	1000	39	1165	46	-	-	7.6	3083 3207 00
Narrow chisel	380	15	545	21	-	-	3.5	3083 3208 00
	450	18	615	24	-	-	4.0	3083 3209 00
	1000	39	1165	46	-	-	7.6	3083 3210 00
Wide chisel	380	15	545	21	75	3	3.7	3083 3211 00
Asphalt cutter	300	12	465	18	115	4 ½	3.8	3083 3212 00
Digging chisel	380	15	545	21	75	3	4.4	3083 3213 00
Digging spade	380	15	545	21	125	5	5.1	3083 3214 00
Clay spade	380	15	545	21	140	5 ½	5.4	3083 3215 00
Wedge chisel	400	16	565	22	40	1 ½	4.1	3083 3216 00
Tie tamper	400	16	565	22	100	4	4.9	3083 3217 00
	580	23	745	29	100	4	6.2	3083 3217 10
Spiking tool	195	7 ¾	360	14	-	-	4.6	9245 2826 81
Shaft for pad	235	9 ¼	400	16	-	-	3.2	3083 3218 01
Tamping pad	-	-	-	-	Ø180	Ø7	7.2	3083 3301 00
	-	-	-	-	□150	□6	8.3	3083 3302 00
	-	-	-	-	□200	□8	8.5	3083 3197 00
Driver blank	-	-	-	-	Ø80	Ø3	3.5	9245 2827 10
Driver Pad	-	-	-	-	Ø120	Ø5	6.0	3376 1120 79
	-	-	-	-	Ø150	Ø6	7.0	3376 1120 77



Id	Qty	Number	Name	Specifications
1	1	3083320500	MOIL POINT	
1	1	3083320600	MOIL POINT	
1	1	3083320700	MOIL POINT	
2	1	3083320800	NARROW CHISEL	
2	1	3083320900	NARROW CHISEL	
2	1	3083321000	NARROW CHISEL	
3	1	3083321100	WIDE CHISEL	
4	1	3083321200	ASPHALT CUTTER	
5	1	3083321300	DIGGING CHISEL	
6	1	3083321400	DIGGING SPADE	
7	1	3083321500	CLAY SPADE	
8	1	3083321600	Frost Wedge Hex 32 X 160 Mm	
9	1	3083321700	TIE TAMPER	
9	1	3083321710	TIE TAMPER	
10	1	9245282681	SPIKING TOOL	
11	1	3083321801	SHAFT FOR PAD	
12	1	3083330100	TAMPING PAD	
13	1	3083330200	TAMPING PAD	
13	1	3083319700	TAMPING PAD	
14	1	9245282710	DRIVER BLANK	
15	1	3376112079	DRIVER PAD 120 MM FOR	
15	1	3376112077	DRIVER PAD 150 MM FOR	

Go to Discount-Equipment.com to order your parts

Description	Working length		Total length		Blade / Tip width		Weight kg <sup>1)</sup>	Part number	
	mm	in	mm	in	mm	in			
Moil point	380	15	545	21	-	-	2.8	1	3083 3271 00
	450	18	615	24	-	-	3.3	1	3083 3272 00
	1000	39	1165	46	-	-	6.3	1	3083 3273 00
Narrow chisel	380	15	545	21	-	-	2.8	2	3083 3274 00
	450	18	615	24	-	-	3.3	2	3083 3275 00
	1000	39	1165	46	-	-	6.3	2	3083 3276 00
Wide chisel	380	15	545	21	75	3	3.1	3	3083 3277 00
Asphalt cutter	300	12	465	18	115	4 ½	3.6	4	3083 3278 00
Digging chisel	380	15	545	21	75	3	4	5	3083 3279 00
Digging spade	380	15	545	21	125	5	4.7	6	3083 3280 00
Clay spade	380	15	545	21	140	5 ½	5.4	7	3083 3281 00
Wedge chisel	400	16	565	22	40	1 ½	3.9	8	3083 3282 00
Tie tamper	400	16	565	22	100	4	4.3	9	3083 3319 00
Shaft for pad	230	9	395	16			2.8	10	3083 3283 01
Tamping pad	-	-	-	-	Ø180	Ø 7	7.2	11	3083 3301 00
	-	-	-	-	□150	□6	8.3	11	3083 3302 00
	-	-	-	-	□200	□8	8.5	11	3083 3197 00
Driver blank	-	-	-	-	Ø 80	Ø 3	3.5	12	9245 2827 10
Driver Pad	-	-	-	-	Ø120	Ø5	6.0	13	3376 1120 79
	-	-	-	-	Ø150	Ø6	7.0	13	3376 1120 77

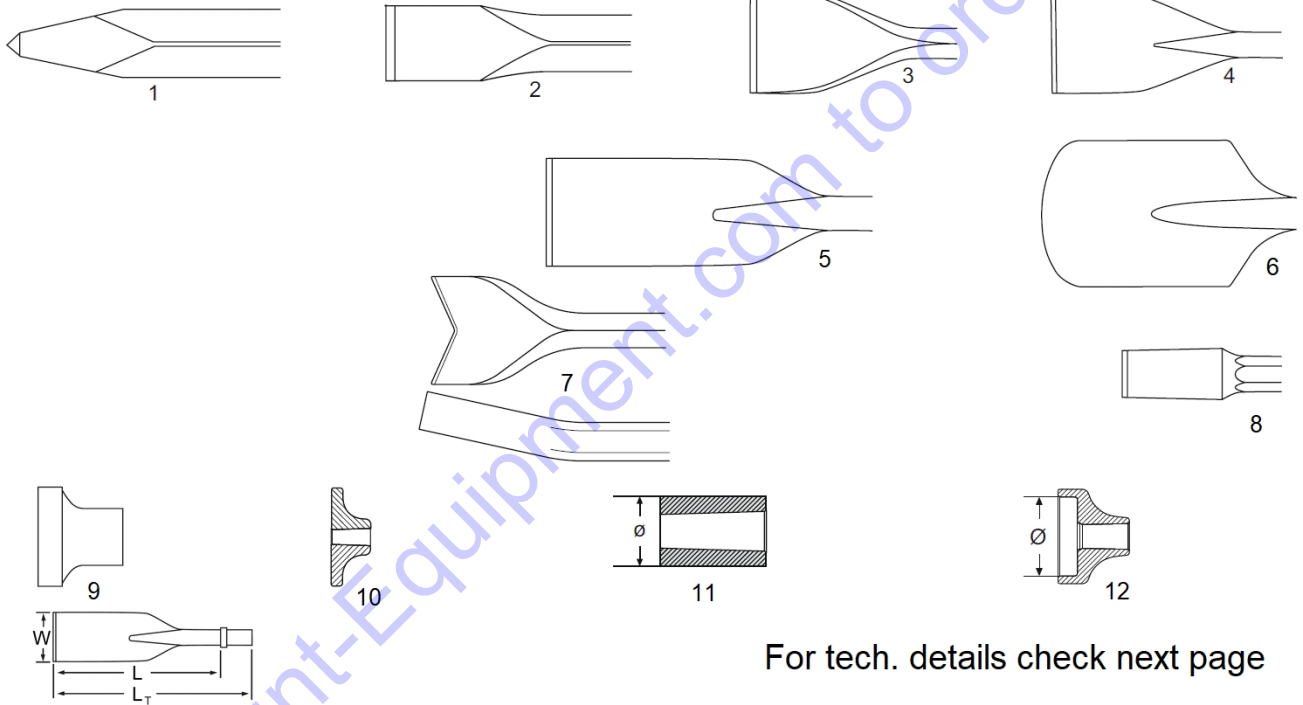


Id	Qty	Number	Name	Specifications
1	1	3083327100	MOIL POINT	
1	1	3083327200	MOIL POINT	
1	1	3083327300	Moil Point Hex 28 X 160 Mm	
2	1	3083327400	NARROW CHISEL	
2	1	3083327500	Narrow Chisel Hex 28 X 160 Mm	
2	1	3083327600	NARROW CHISEL	
3	1	3083327700	WIDE CHISEL	
4	1	3083327800	ASPHALT CUTTER	
5	1	3083327900	DIGGING CHISEL	
6	1	3083328000	DIGGING SPADE	
7	1	3083328100	CLAY SPADE	
8	1	3083328200	WEDGE CHISEL	
9	1	3083331900	TIE TAMPER	
10	1	3083328301	SHAFT FOR PAD	
11	1	3083330100	TAMPING PAD	
11	1	3083330200	TAMPING PAD	
11	1	3083319700	TAMPING PAD	
12	1	9245282710	DRIVER BLANK	
13	1	3376112079	DRIVER PAD 120 MM FOR	
13	1	3376112077	DRIVER PAD 150 MM FOR	

Go to Discount-Equipment.com to order your parts



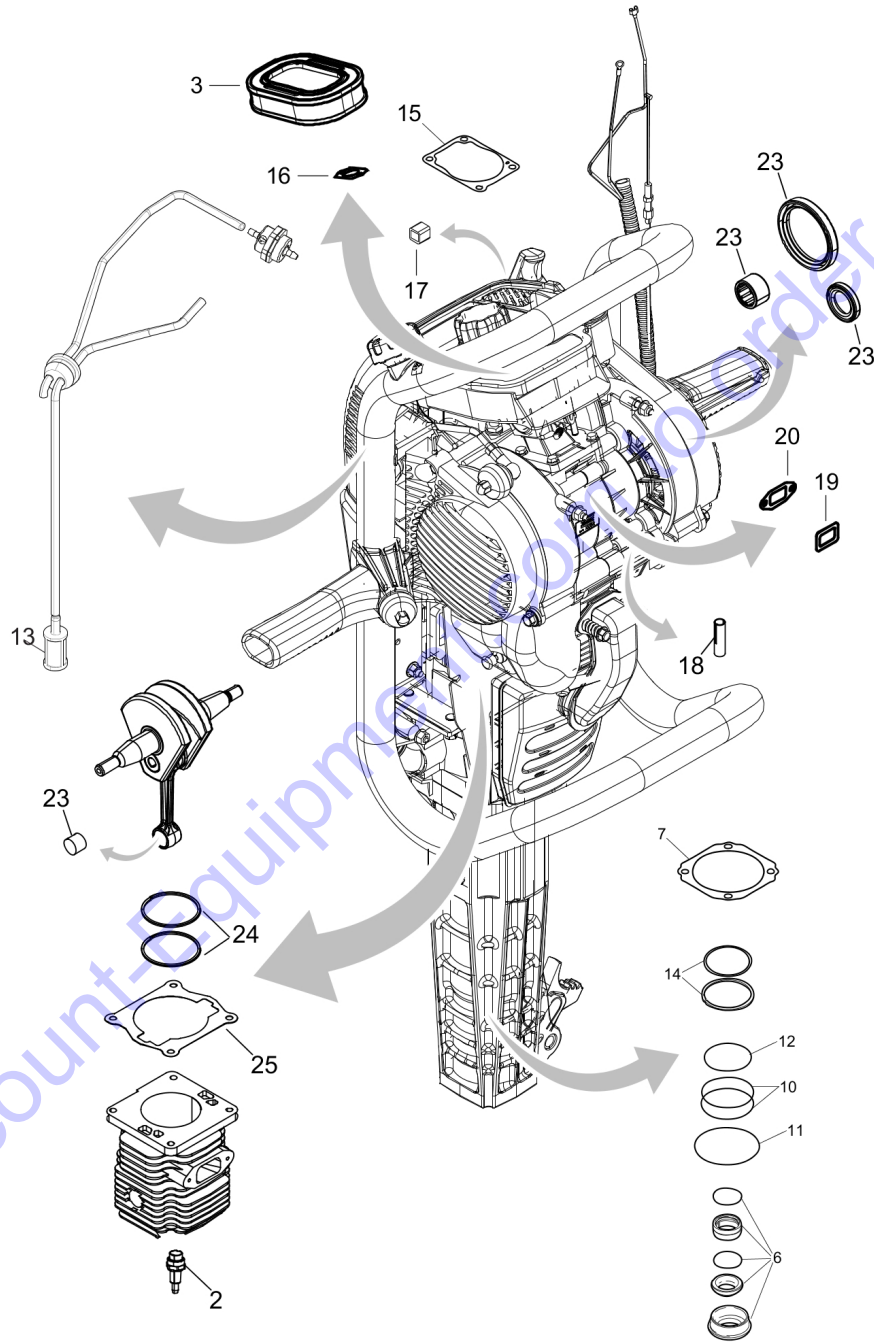
Description	Working length		Total length		Blade / Tip width		Weight kg <sup>1)</sup>	Part number	
	mm	in	mm	in	mm	in			
Moil point	355	14	520	20	-	-	3.3	1	3083 3285 00
	450	18	615	24	-	-	4.0	1	3083 4000 10
	610	24	775	30	-	-	5.0	1	3083 4000 20
Narrow chisel	355	14	520	20	-	-	3.3	2	3083 3286 00
	450	18	615	24	-	-	4.0	2	3083 4001 10
	610	24	775	30	-	-	5.0	2	3083 4001 20
Wide chisel	380	15	545	21	75	3	3.6	3	3083 3295 00
Asphalt cutter	330	13	495	19	125	5	4.0	4	3083 3096 00
	305	12	470	19	115	4 ½	4.0	4	3083 4004 00
Digging spade	320	13	485	19	125	5	4.3	5	3083 3298 00
Clay spade	380	15	545	21	140	5 ½	5.4	6	3083 3299 00
Tie tamper	400	16	565	22	100	4	5.0	7	3083 3314 00
Shaft for pad	230	9	395	16	-	-	3.1	8	3083 3287 00
Tamping pad	-	-	-	-	Ø180	Ø7	7.2	9	3083 3301 00
	-	-	-	-	□150	□6	8.3	10	3083 3302 00
	-	-	-	-	□200	□8	8.5	10	3083 3197 00
Driver blank	-	-	-	-	Ø80	Ø3	3.5	11	9245 2827 10
Driver Pad	-	-	-	-	Ø120	Ø5	6.0	12	3376 1120 79
	-	-	-	-	Ø150	Ø6	7.0	12	3376 1120 77



For tech. details check next page

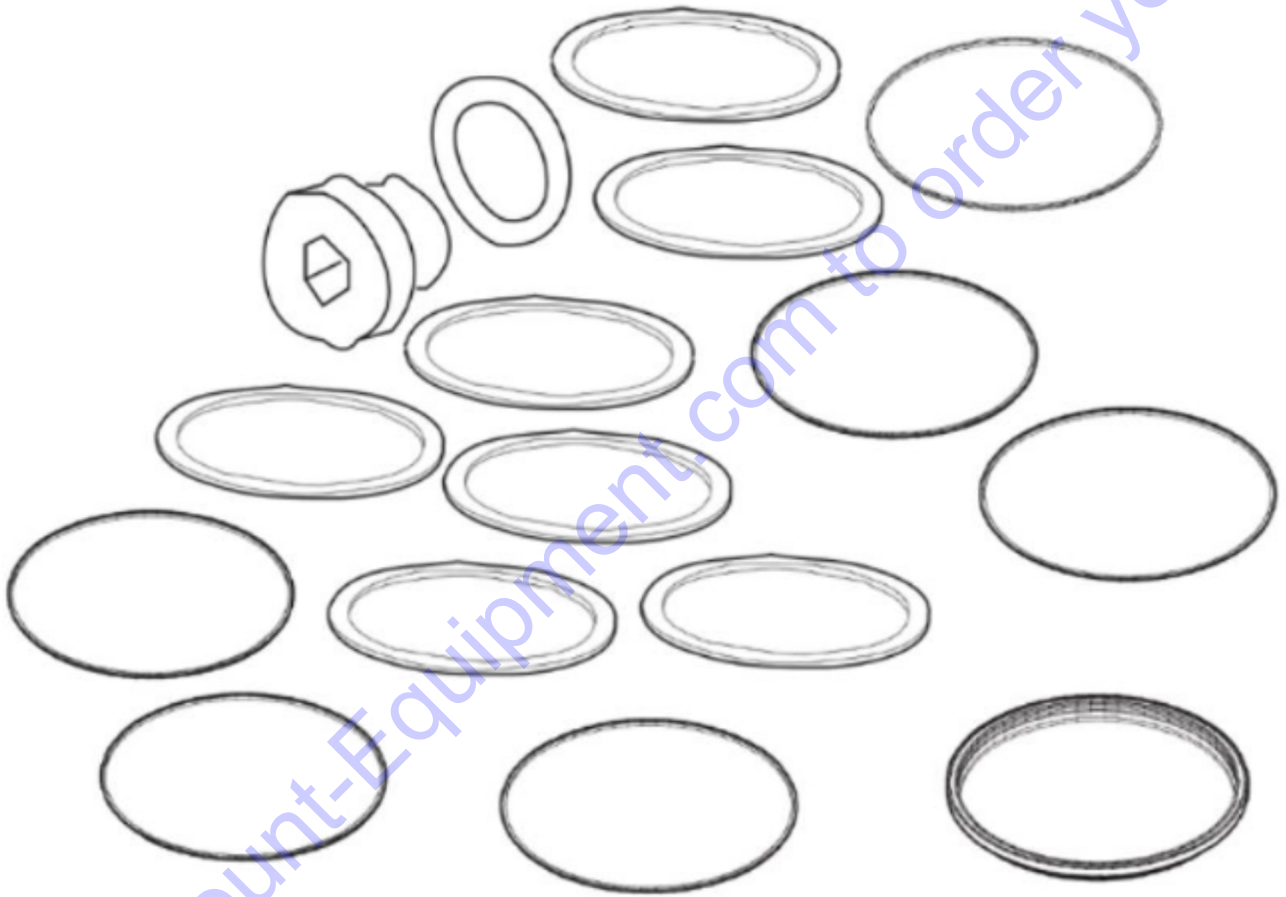
Id	Qty	Number	Name	Specifications
1	1	3083328500	MOIL POINT	
1	1	3083400010	MOIL POINT	
1	1	3083400020	MOIL POINT	
2	1	3083328600	NARROW CHISEL	
2	1	3083400110	NARROW CHISEL	
2	1	3083400120	NARROW CHISEL	
3	1	3083329500	WIDE CHISEL	
4	1	3083329600	ASPHALT CUTTER	
4	1	3083400400	ASPHALT CUTTER	
5	1	3083329800	DIGGING SPADE	
6	1	3083329900	CLAY SPADE	
7	1	3083331400	TIE TAMPER	
8	1	3083328700	SHAFT FOR PAD	
9	1	3083330100	TAMPING PAD	
10	1	3083330200	TAMPING PAD	
10	1	3083319700	TAMPING PAD	
11	1	9245282710	DRIVER BLANK	
12	1	3376112079	DRIVER PAD 120 MM FOR	
12	1	3376112077	DRIVER PAD 150 MM FOR	

Go to Discount-Equipment.com to order your parts



Go to Discount-Equipment.com to order your parts

<b>Id</b>	<b>Qty</b>	<b>Number</b>	<b>Name</b>	<b>Specifications</b>
1	1	9234000687	SERVICE KIT 1M	
2	1	9234000448	SPARK PLUG	
3	1	9234000136	AIR FILTER	
4	1	9234000688	SERVICE KIT 3M	
5	1	9234000687	SERVICE KIT 1M	
6	1	9234000554	Scraper ring	
7	1	9234000128	GASKET	
8	1	9234000689	Six months service kit	
9	1	9234000688	SERVICE KIT 3M	
10	2	9234000228	O-RING	
11	1	9234000229	O-RING	
12	1	9234000230	O-RING	
13	1	9232230600	Fuel filter	
14	2	9234000271	PISTON RING	
15	1	9234000127	GASKET	
16	1	9234000137	GASKET	
17	2	9234000335	DAMPING BUSH	
18	3	9234000575	Sleeve	
19	1	9234000413	GASKET	
20	1	9234000267	GASKET	
21	1	9234000690	SERVICE KIT 12M	
22	1	9234000689	Six months service kit	
23	1	9234000318	BEARING KIT	
24	2	9234000007	PISTON RING	
25	1	9234000126	GASKET	
26	1	9234001106	SERVICE KIT 2	
27	10	9234000136	AIR FILTER	
27	10	0923400136	Air filter	



Go to Discount-Equipment.com to order your parts

Id	Qty	Number	Name	Specifications
1	1	9234000691	Complete seal kit	
2	1	9234000137	GASKET	
3	1	9234000413	GASKET	
4	1	9234000267	GASKET	
5	1	9234000126	GASKET	
6	2	9234000606	RADIAL LIP SEAL	
7	1	9234000074	SEAL RING	
8	1	9234000414	GASKET	
9	1	9234000415	GASKET	
10	1	9234000517	GASKET	
11	1	9234000524	SEAL 11/8+	
12	1	9234003098	SEALING	
13	1	9234000554	Scraper ring	
14				
15				
16				
17				
18			Support ring	
19	2	9234000228	O-RING	
20	1	9234000229	O-RING	
21	1	9234000230	O-RING	
22	2	9234000271	PISTON RING	
23				
24				
25	1	9234000128	GASKET	
26	1	9232031090	SEAL RING	
27	1	9234000127	GASKET	

Go to Discount-Equipment.com to order your parts

NO EXPLODED VIEW  
AVAILABLE  
FOR THIS BOM

Go to Discount-Equipment.com to order your parts



<b>Id</b>	<b>Qty</b>	<b>Number</b>	<b>Name</b>	<b>Specifications</b>
1	1	8099020240	Breaker and hammer AIR-OIL,0.25 l,	0.06 US gallon
-	2	3371803075	HOSE 1.6 M	
-	1	8461020853	TEX 3, 19x50	
-	2	3121029200	NUT	
-	1	3371805503	SEAL 8/14X3.5/5	
20		0211136400	HEX SOCK. SCREW	
-	1		Vibration handle kit	
-	2	3371803050	0.4 m 1/2" hose	
-	1	9030206900	Water flushing hose BBC/BBD/RH	(PM)
-	1	9030204300	HOSE	
-	1	3371820702	O-RING 24X1.5	
-	1	3371814700	O-RING 8.3X2.4	
-	1	3378512072	DUST SEAL	
-	2	0661100027	SEAL GASKET	
-	2	0663614100	O-RING	
19	1		Nut - Hexagon	
-	2	3111002000	PAWL	
-	2	3121034300	SIDEBOLT	
-	2	3121087200	NUT	
-	2	0663211200	O-ring, 5.3 x 2.4 mm (70 shore), 0.21 x	0.09 in. (70 shore)
-	2	0663211400	O ring	
22		3371820266	GUIDE SOCKET	
-	1		Nut - Hexagon	
-	2	0661100039	SEAL WASHER DOWTY 1/2"	
-	1	3371896061	LABEL	
2	1	8099020236	LUBRICATING OIL	
-	1	3083322000	MOIL POINT	
20	1		Rod - Threaded	
-	1	0663613400	O-ring NBR	
-	4	3371820703	O-RING 18X2	
-	1	3371897166	Product model label	
-	1	0663212300	O-RING	
-	2	3111002300	SPRING	
-	2		SIDE BOLT	
-	1	8202510205	LUBRICATOR BLG 30	
-	1	3378512073	SHAFT SEAL	
-	2	3121002100	PIN	
-	2		SIDE BOLT	
-	1	3371896062	LABEL	
-	1	3371896097	ATLAS COPCO LOGO	
-	1	3371805133	Q.R. coupling 08 female	
3	20	8099020281	Breaker and hammer AIR-OIL, 20 x 1 l	bottles (pack)
23		3371820267	SPOOL SOCKET	
-	2	4950026400	DIAPHRAGME	
-	2	0663212200	O-RING	

Id	Qty	Number	Name	Specifications
-	1		Rod - Threaded	
-	1	3371820704	O-RING 30X2	
-	2	0663212000	O-ring 13,3x2,4	
-	1	3371814701	Back-up ring	
-	4	3378512086	O-RING	
-	1	3371897165	Product model label	
-	1	3330002200	SLID.O-RING	
6	1		Gasket - governor housing	
-	1	3083322200	NARROW CHISEL	
-	1	8202510239	CLG 30	
-	1	3371897082	PRODUCT LABEL "LPD-T"	
-	4	0663212400	O-ring 17,3x2,4	
-	2	3330008100	STOP	
32		0603420010	NIPPLE	
-	2		Gasket - governor housing	
-	1	3371805134	Q.R. coupling 08 male	
-	1	3371896000	LABEL	
-	2	3371897155	CP logo	
4	1	8099020202	Breaker and hammer air-oil 5l	
-	2		NUT	
7	1		O-RING	
-	4	0211124401	SCREW	
-	1	3371897286	Product label	
-	1	3371820705	O-RING 32X2	
-	1	3371897083	PRODUCT LABEL "LPD-RV"	
-	1	0335350152	SNAP RING DIA12-DIA12.4	
-	2	3371897156	CP logo	
-	1	8099020240	Breaker and hammer AIR-OIL,0.25 l, 0.06 US gallon	
-	1	3371897164	Product label	
-	2	4090020100	Seal	
33		3371818013	T-CONNECTION BSP 4.2	
-	1		O-RING	
-	1	3371805733	PROTECTIVE CAP 1/2" FEMA	
-	1	3371896113	Label	
-	1	3371897168	LABEL	
5	4	8099020285	BREAKER AND HAMMER AIR-OIL (4x5L)	
-	2	0663212500	O-RING	
-	1	8092011082	VAM 5A WATER SEPARATOR	
-	1	3371820762	O-RING 25.12X1.78	
-	1	3371897304	Product label	
-	1	3371896006	Label	
-	3	0663212700	O-RING	
-	1	0663212800	O-RING	
-	1	3310120600	STORAGE BOX	
-	1	3371897163	Product label	
34		3371818020	T-CONNECTION BSP 3.4	

Id	Qty	Number	Name	Specifications
-	1		O-RING	
-	6	0663614400	O-ring, 99.5 x 3.0 mm, 3.92 x 0.12 in.	
-	1	3371805732	PROTECTIVE CAP 1/2" MALE	
-	1	3371897080	Product label	
-	1	3371897167	Product label	
-	1	0335350801	SNAP RING DIA 45	
-	2	3371814703	O-RING 24.2X3	
-	2	0663613600	O-RING 59.5X3	
-	1	3371801087	7 m Twin extension hose	
-	1	3371897287	Product label	
-	1	3330002500	WASHER	
-	1	0663212600	O RING	
35		0603420010	NIPPLE	
-	1		Pin - governor push	
-	1	3371897081	Product label	
-	1	3371897270	Label HBP	
-	3	0663213200	O-RING	
-	4	0211133000	SCREW M8X50 DIN 912 12.9 FZB	
-	1	3371820176	SEAL 32/40X6	
-	2	3371814710	O-RING 33X2	
-	1	3371803052	7 m 1/2" hose	
-	1	0663212900	O-RING	
-	1	0663213500	O-RING	
-	1	9030204100	RUBBER HOSE	
-	4	0663614800	O-ring, 119.5 x 3.0 mm, 4.70 x 0.12 in.	
51		0211141000	HEX SOCK. SCREW M12X75-12.9	
-	1		Pin - governor weight	
-	1	0663614200	ORING ID 89.5MM	
-	1	3371820708	SEAL 32/45X7/10	
-	1	3371814709	SEAL RING 8,7/13X1	
-	1	3106967000	PACKING	
-	2	0663213300	O-ring	
-	1	9000031300	CLAW COUPLING	
-	2	0663612000	O-ring, 13.1 x 1.6 mm (70 shore), 0.52 x 0.06 in. (70 shore)	
-	2	0663612900	O-RING	
-	1	3371802109	Label	
58		3371817721	SCREW M10X20	
-	1		Blade - rotor	
-	1	3371896047	LABEL	
-	4	3330005700	VALVE SEAT	
-	1	9000019700	HOSE CLAMP	
-	1	3106967500	WASHER	
-	1	3371815738	LOCKING RING	
-	1	0663918400	O-ring	
-	2	3330000500	SEAL.WASHER	
79		0211136300	Screw	
-	1		O-RING	

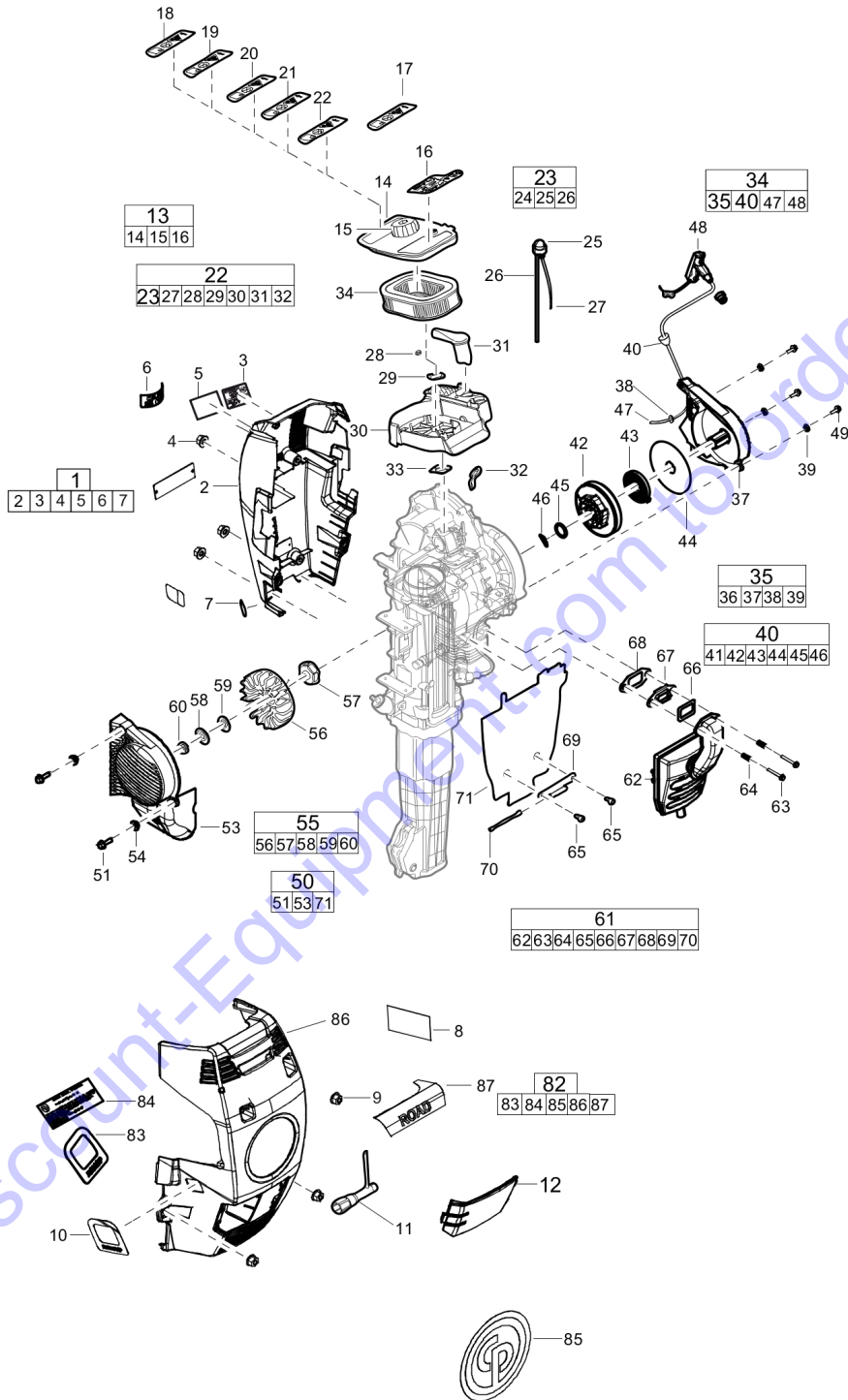
Id	Qty	Number	Name	Specifications
-	1	3371896048	LABEL	
-	4	3330005800	FLAP	
-	2	0335351602	SNAP RING DIA8-DIA7.6	
-	1	3371814754	LOCKING RING 38	
-	1	3121001200	PACKING	
-	1	0502222100	BALL BEARING	
-	1	0663613900	O RING	
-	1	0663614000	O-RING 79.5 X 3	
-	1	3000012100	RUBB.PACKING	
-	4	0101414000	Pin	
-	1	3371802108	Label	
-	1		Gasket - seal plate	
-	1	3371802107	Label	
-	1	3371820700	SHIM PS 8X14X0.5	
-	1	3121007200	RING	
-	1	3330000400	WASHER	
-	1	3115098280	VALVE BODY	
-	1	9238270790	TEMPLATE	
-	1	3371814748	O-RING 25X1.5	
-	4	0663215200	O-ring, 124.3 x 5.7 mm, 4.89 x 0.22 in.	
62		3377000432	ADAPTOR 08-06	
-	1		O-RING	
-	1	3371802106	Label	
-	1	3100964600	PACKING	
-	1	3371802105	Label	
-	1		Seal - oil	
70		0211136300	Screw	
-	4	0147137202	Screw, M10 x 75 mm	
-	1	3100965300	PACKING	
-	1	3000964600	Packing	
-	1	0504221700	Bearing	
-	1	3371814749	O-RING 13X1.5	
-	2	3371820706	O-RING 22X1.5	
-	1		BRAKERING	
-	1	0518125500	SEAL RING	
-	1	3121054500	PACKING	
-	2	3132017300	PACKING	
-	1	3330002300	NUT	
-	1	3162097600	GASKET	
-	2	3371814750	O-RING 12X1.5	
-	1	3371814751	O-RING 69X1.5	
-	1	3371817757	O-RING 6X2	
-	1	3376100084	O-RING 8X2	
-	1	3371820718	SEAL RING 9/14X1	
-	1	3371820725	O-RING 82X1.5	
-	1	3371820726	O-RING 16X1.5	
-	1	3371820167	BACK-UP WASHER 32.7/45X	
-	1	3371820727	LOCKING RING	

NO EXPLODED VIEW  
AVAILABLE  
FOR THIS BOM

Go to [Discount-Equipment.com](https://Discount-Equipment.com) to order your parts

<b>Id</b>	<b>Qty</b>	<b>Number</b>	<b>Name</b>	<b>Specifications</b>
2	1		Seal washer	
3	1		Seal washer	

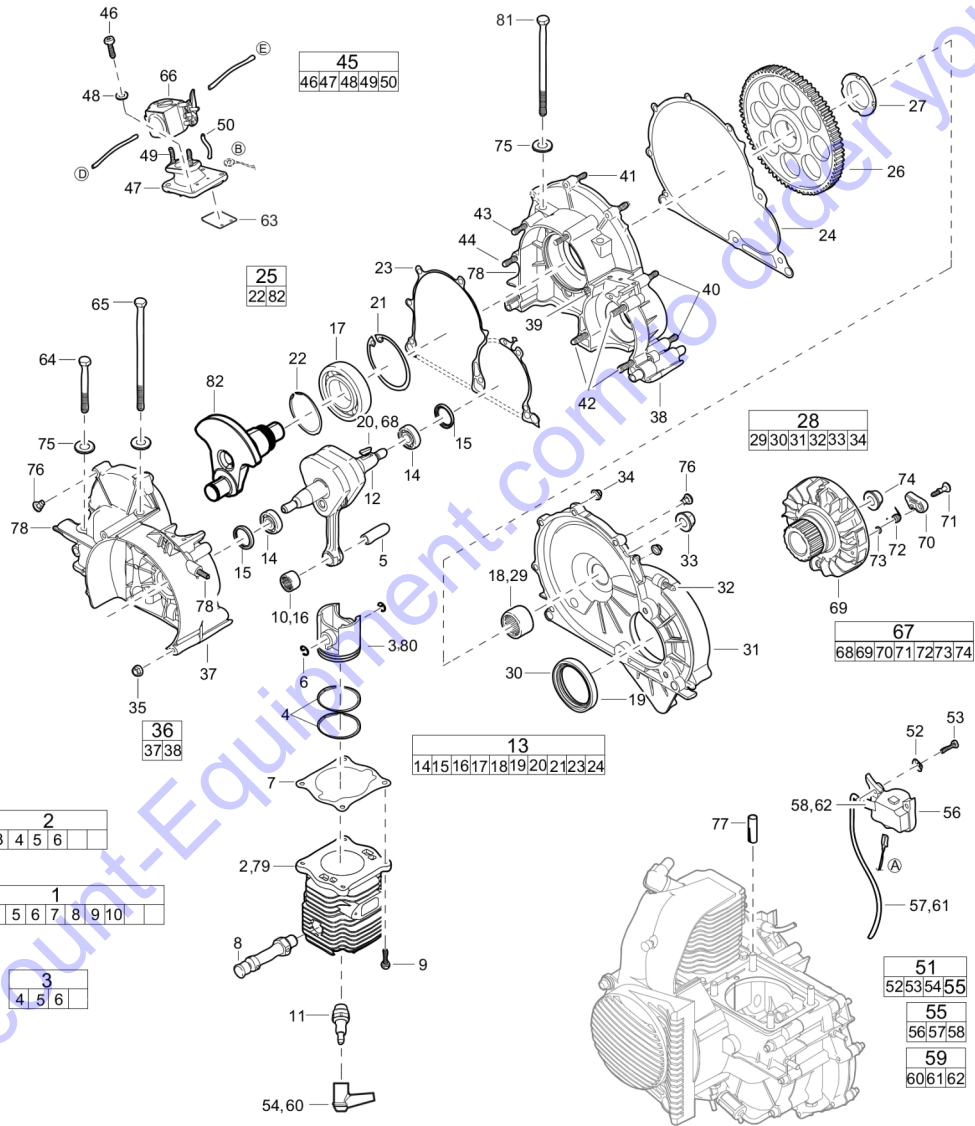
Go to [Discount-Equipment.com](https://Discount-Equipment.com) to order your parts



<b>Id</b>	<b>Qty</b>	<b>Number</b>	<b>Name</b>	<b>Specifications</b>
1	1	9234021035	BACK COVER, CPL	
2	1		Back cover	
3	1	9234000923	WARNING SIGN	
4	4		FLANGE NUT	
5	1	8915002524	NOISE LEVEL 109DB	
6	1	9234020869	OIL MIX LABEL	
7	1	9234000354	Decal oil	
8	2		Instruction label	
9	4		FLANGE NUT	
10	1	9234000345	Decal decomp	
11	1	9234000056	PLUG KEY	
12	1	9234018500	Service cover, complete	
13	1	9234021038	Filter cover, complete	
14	1		Filter cover	
15	1		Filter cover knob	
16	1		Label "Start instruction"	
17	1	9234020864	WARNING SIGN	
18	1		Label, Warning (32 x 160 mm, 1 1/4 x 6 1/4 in.)	
19	1		Label, Warning (32 x 152 mm, 1 1/4 x 6 in.)	
20	1		Label, Warning (28 x 160mm, 1 1/8 x 6 1/4 in.)	
21	1		Label, Warning (28 x 152 mm, 1 1/8 x 6 in.)	
22	1		Label, Warning (25 x 108 mm, 1 x 4 1/4 in.)	
23	1	9234000265	FILTER HOUS.	
24	1	9234000512	PUMP	
25	1			
26	1	9234000297	Pipe	
27	1	9234000298	PIPE	
28	2	9232020880	NUT	
29	1	9234000063	PLATE	
30	1		Filter housing	
31	1	9234000026	CHOKE LEVER	
32	1	9234001030	CHOKE ARM	
33	1	9234000137	GASKET	
34	1	9234000136	AIR FILTER	
35	1	9234000114	START.COVER	
36	1	9234021386	STARTER COVER ASSY (CP	
37	1		Starter cover	
38	3	9232050350	LOCKING RING	
39	3	9232090520	BUSHING	
40	1	9232090530	ROPE GUIDE	
41	1	9234000115	PULL WHEEL	
42	1			
43	1	9234000491	Starter spring	
44	1	9234000040	Washer	

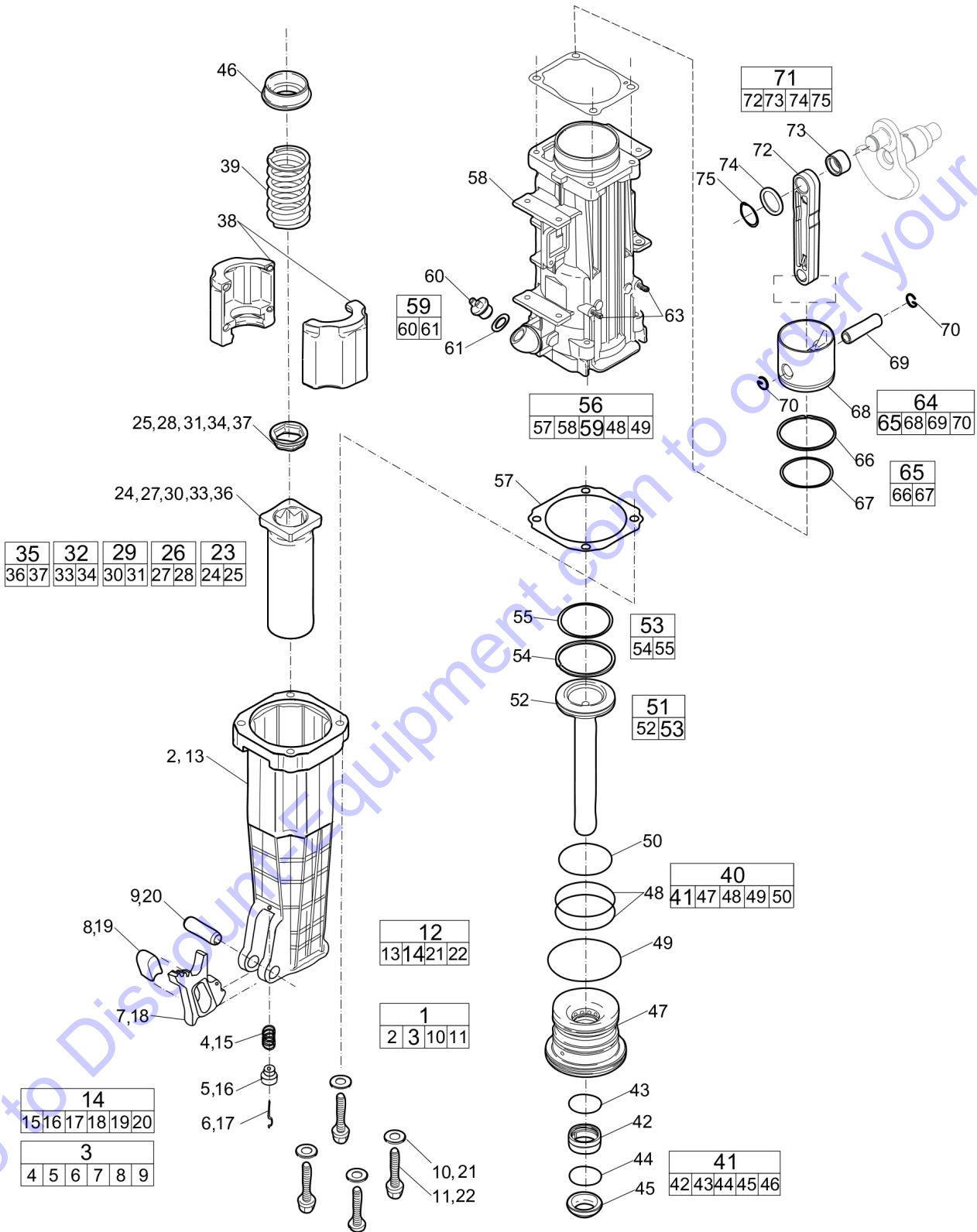


<b>Id</b>	<b>Qty</b>	<b>Number</b>	<b>Name</b>	<b>Specifications</b>
45	1	9234000041	WASHER	
46	1	9234000054	LOCK SPRING	
47	1	9234000059	Rope 1800 mm	
48	1	9234000045	HANDLE	
49	1	9232011530	SCREW	
50	1	9234000201	FAN COVER	
51	2	9232011530	SCREW	
53	1			
71	1			
54	2	9232090520	BUSHING	
55	1	9234000081	FAN ASSY	
56	1			
57	1	9234000084	HUB	
58	1	0384331000	WASHER	
59	1	9234000085	WASHER	
60	1	9232020900	LOCK NUT	
61	1	9234001545	MUFFLER	
62	1			
63	2	9232012200	SCREW	
64	2	9234000486	SPRING	
65	2	9232012400	SCREW	
66	1	9234000413	GASKET	
67	1	9234000402	Muffl insert	
68	1	9234000267	GASKET	
69	1	9234000674	HINGE	
70	1	9234000410	SPRING PIN	
82	1	9234021036	FRONT COVER CPL	
83	1	9234020874	DECOMP LABEL	
84	1	9234011000	EPA LABEL	
85	1	9234018600	CP LOGO	
86	1		Front cover	
87	2	9234018701	ROAD LOGO	



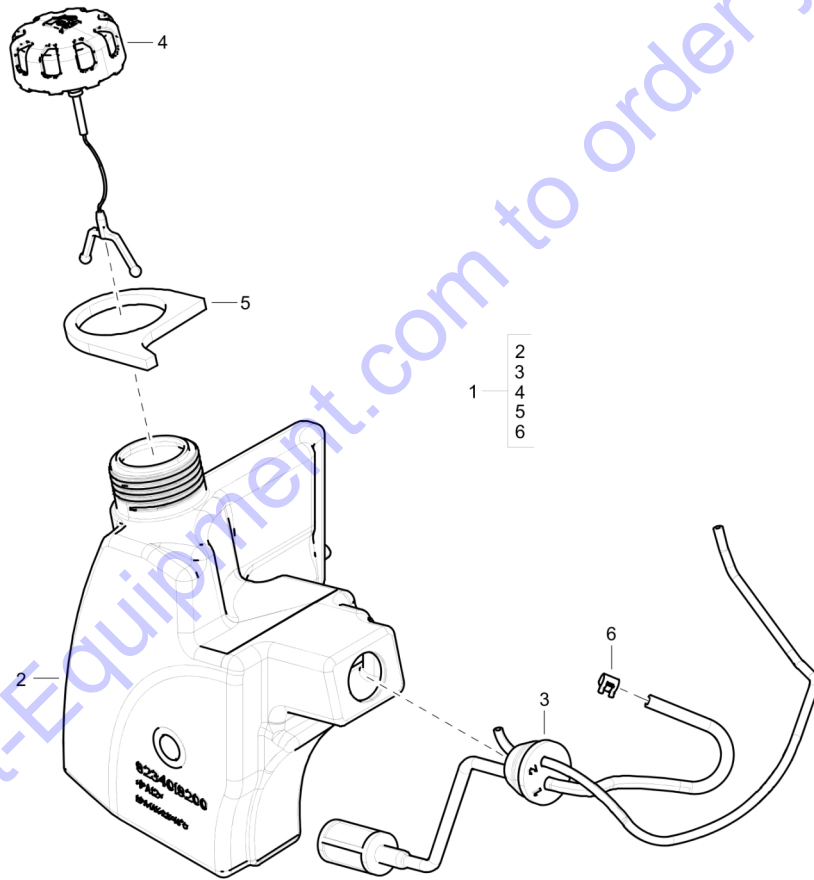
Id	Qty	Number	Name	Specifications
1	1	9234000106	CYLINDER	
7	1	9234021413	GASKET	
2	1	9234000012	MOTORCYLINDER	
3	1	9234000011	PISTON	
6	2	9234000009	Lock ring	
5	1	9234000008	PISTON PIN	
4	2	9234000007	PISTON RING	
80	1	9234000005	Piston	
79	1	9234000002	Cylinder	
9	4	9232011880	FLANGE SCREW	
8	1	9234000340	DECOMPVALV	
10	1	9234000341	NEEDLE CARRIER	
11	1	9234000448	SPARK PLUG	
12	1	9234000038	CRANKSHAFT ASSY	
13	1	9234000318	BEARING KIT	
14	2			
15	2	9234000606	RADIAL LIP SEAL	
16	1	9234000341	NEEDLE CARRIER	
17	1			
18	1	9234000396	NEEDLE BUSHING	
19	1	9234000074	SEAL RING	
20	1	9232222840	WEDGE	
21	1	9234000072	LOCK RING	
23	1	9234000414	GASKET	
24	1	9234000415	GASKET	
25	1	9234018550	TRANSMISSION SHAFT, COMPLETE	
82	1		Transmission shaft	
22	1	9234000075	Lock ring	
26	1	9234000279	SPUR PINION	
27	1	9234000076	NUT	
28	1	9234000320	TRANSM.COVER	
29	1	9234000396	NEEDLE BUSHING	
30	1	9234000074	SEAL RING	
31	1			
32	1	9234000423	STUD	
33	1	9234003060	OIL PLUG	
34	8		FLANGE NUT	
35	4		FLANGE NUT	
36	1	9234021184	CRANKCASE ASSY	
37	1		Crankcase	
38	1		Crankcase	
39	1	9234000158	STUD	
40	3	9234000071	STUD	
41	3	9234000157	STUD	
42	4	9234000069	STUD	
43	4	9234000067	Stud, M6 x 30 mm, L = 45 mm	
44	1	9234000068	STUD	
45	1	9234001548	CRANKC.VALVE	

Id	Qty	Number	Name	Specifications
46	4	9232011880	FLANGE SCREW	
47	1			
48	1	0301231800	WASHER PLAIN	
49	2	9234000180	STUD	
50	1	9234000324	PIPE 36MM	
51	1	9234000281	EL UNIT	
52	1	9234000205	PROTECTIVE WASH	
53	3	9232012000	Screw	
54	1			
55	1		Electronic unit, complete	
56	1		Electronic unit	
57	1		Ignition cable	
58	1		Grommet	
59	1	9234000601	CABLE CPL	
60	1			
61	1			
62	1			
63	1	9234000164	REED LAMELLA	
64	1	0147133503	SCREW	
65	1	0147134503	HEX. BOLT M8X140X8.8	
66	1	9234020946	Carburettor	
67	1	9234000304	FLYWHEEL	
68	1	9232222840	WEDGE	
69	1		Flywheel	
70	2	9234000032	DRIVER	
71	2	9234000154	SCREW	
72	2	9234000155	TORSION SPRING	
73	2	9234000200	WASHER	
74	1	9232020900	LOCK NUT	
75	4	0300027474	Plain washer	
76	2	9232090520	BUSHING	
77	3	9234000575	Sleeve	
78	3	9234000423	STUD	
81	2	0147134703	HEX. HEAD SCREW	



<b>Id</b>	<b>Qty</b>	<b>Number</b>	<b>Name</b>	<b>Specifications</b>
1	1	9234020947	BREAKER HOUSING, COMPLETE	
2	1	9234012996	BREAKER HOUSING	
3	1	9234000637	TOOL LATCH	
4	1	9234000635	COMPRESS.SPRING	
5	1	9232090540	GUIDE	
6	1	9234000636	LINK ARM	
7	1			
8	1	9234000095	LIP	
9	1	9234000094	CYL PIN	
10	4	0300027474	Plain washer	
11	4	9234001004	HEX. SOCK. SCREW	
12	1	9234020949	BREAKER HOUSING, COMPLETE	
13	1	9234012996	BREAKER HOUSING	
14	1	9234000637	TOOL LATCH	
15	1	9234000635	COMPRESS.SPRING	
16	1	9232090540	GUIDE	
17	1	9234000636	LINK ARM	
18	1			
19	1	9234000095	LIP	
20	1	9234000094	CYL PIN	
21	4	0300027474	Plain washer	
22	4	9234001004	HEX. SOCK. SCREW	
23	1	9234012640	TOOL CHUCK, COMPLETE (28X152)	
24	1			
25	1	9234000524	SEAL 11/8+	
26	1	9234012630	TOOL CHUCK, COMPLETE (28X160)	
27	1			
28	1	9234000524	SEAL 11/8+	
29	1	9234012620	Tool chuck	
30	1			
31	1	9234000517	GASKET	
32	1	9234012610	TOOL CHUCK, COMPLETE (32X160)	
33	1		Tool chuck, 32 x 160 mm, 11/4 x 61/4 in.	
34	1	9234000517	GASKET	
35	1	9234012650	Tool chuck	
36	1			
37	1	9234003098	SEALING	
38	2	9234000535	FEED STOP	
39	1	9234000179	SPRING	
40	1	9234000547	TOOL GUIDE ASSY	
41	1	9234000554	Scraper ring	
42	1			
43	1			
44	1			
45	1			
46	1	9234000536	SUPPORT RING	
47	1		Piston guide	

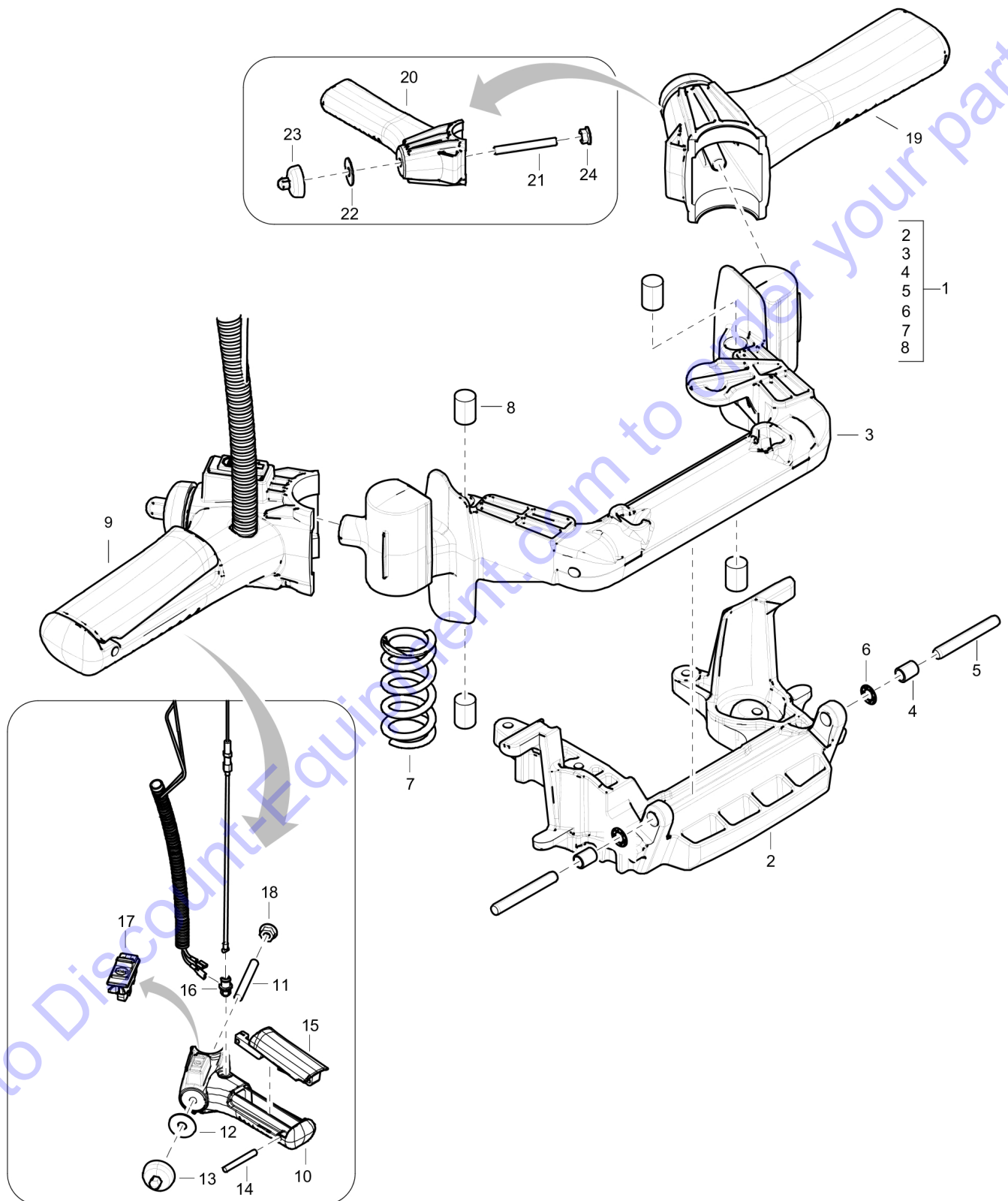
<b>Id</b>	<b>Qty</b>	<b>Number</b>	<b>Name</b>	<b>Specifications</b>
48	2	9234000228	O-RING	
49	1	9234000229	O-RING	
50	1	9234000230	O-RING	
51	1	9234000300	HAMM.PISTON	
52	1			
53	1	9234000271	PISTON RING	
54	1			
55	1			
56	1	9234000408	CYLINDER CPL	
57	1	9234000128	GASKET	
58	1			
59	1	9232012351	OILPLUG ASSY	
60	1			
61	1	9232031090	SEAL RING	
62	1	9234000127	GASKET	
63	4	9234000423	STUD	
64	1	9234000301	DRIVE PISTON	
65	1	9234000271	PISTON RING	
66	1			
67	1			
68	1			
69	1	9234000245	DRIVING PISTON PIN	
70	2	9232050560	LOCK RAIL	
71	1	9234018520	CONNECTION ROD CPL	
72	1			
73	1	9234000396	NEEDLE BUSHING	
74	1	9234000412	Shim	
75	1	0335112200	CIRCLIP	





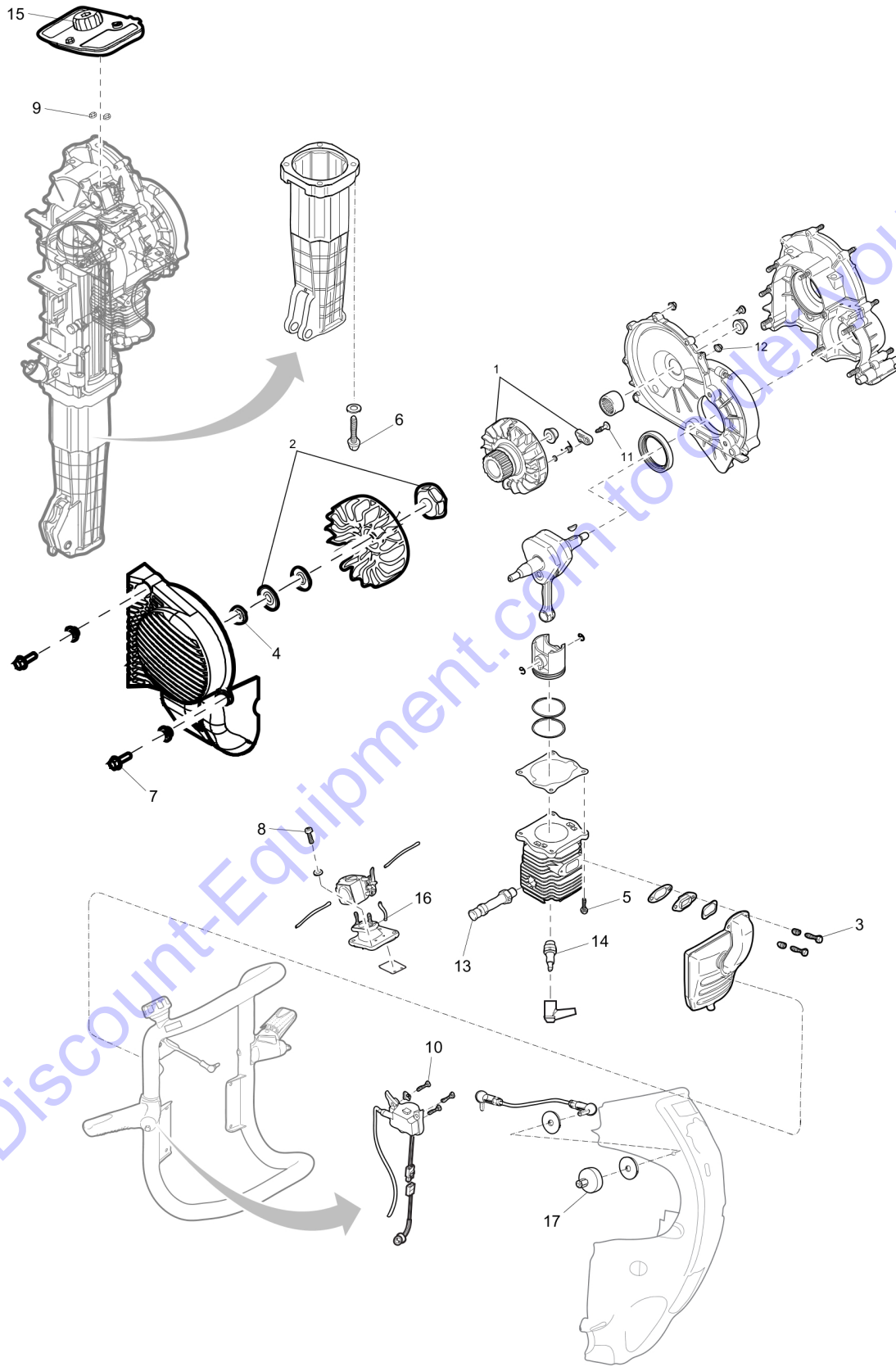
Id	Qty	Number	Name	Specifications
2	1		Fueltank assembly	
3	1	9234020838	TANK GROMMET ASSY	
4	1	9234001519	Tank cap	
5	1	9234019300	TANK SEALING	
6	1	9234020836	HOSE CLIP	

Go to Discount-Equipment.com to order your parts



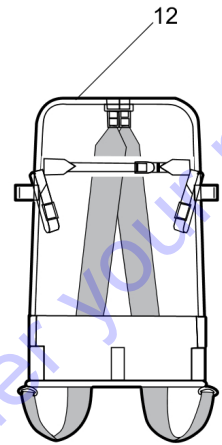
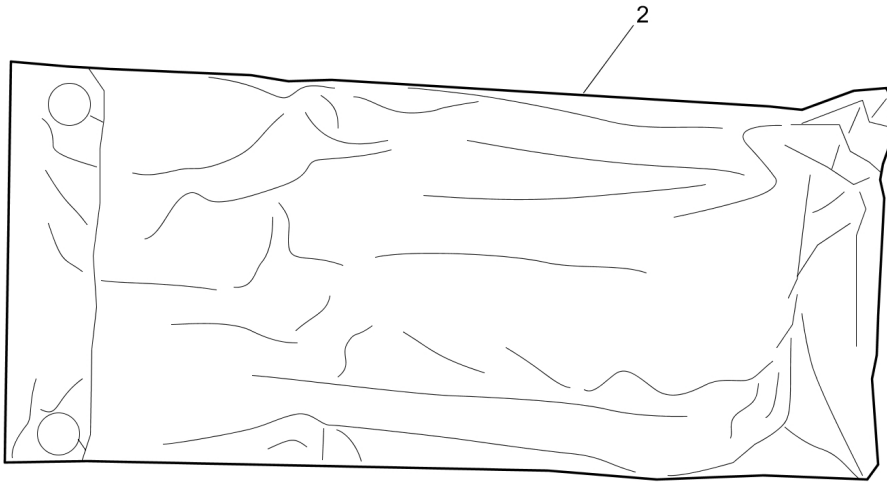
<b>Id</b>	<b>Qty</b>	<b>Number</b>	<b>Name</b>	<b>Specifications</b>
1	1	9234021034	Handle Assy	
2	1		Handle frame bracket	
3	1		Handle frame	
4	2	9234020861	PLAIN BEARING	
5	2	0101231134	PARALLELL PIN	
6	2		Lock washer	
7	1		SPRING	
8	4	9234002921	END RUBBERS	
9	1	9234020340	Handle, complete	
10	1		Handle	
11	1	9234020306	STUD	
12	1		Washer	
13	1	9234019641	HANDEL KNOB	
14	1	9234000565	PARALLEL PIN	
15	1	9234000525	CONTROL	
16	1	9234000490	NIPPLE	
17	1	9234019650	IGNITION STOP SWITCH	
18	1	0261109981	FLANGE NUT	
19	1	9234020330	HANDLE, COMPLETE	
20	1	9234000488	HANDLE	
21	1	9234020306	STUD	
22	1		Washer	
23	1	9234019641	HANDEL KNOB	
24	1	0261109981	FLANGE NUT	

Go to Discount-Equipment.com to order your parts

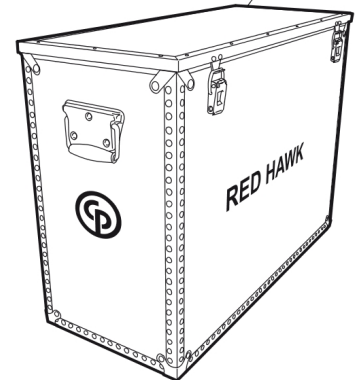
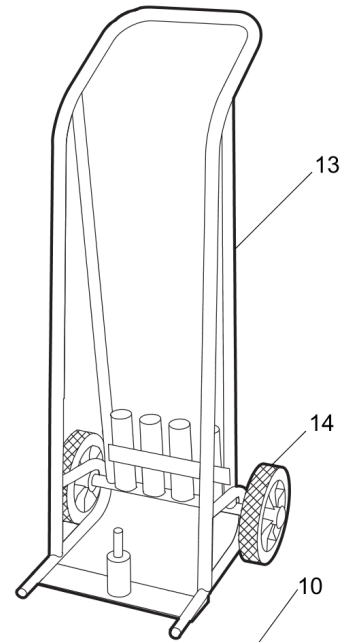
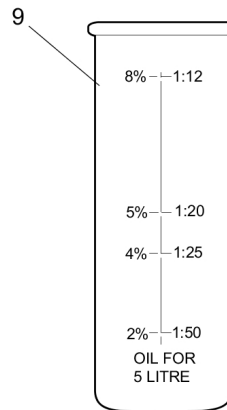
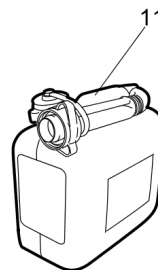
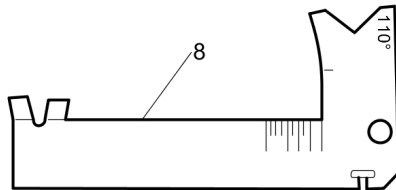
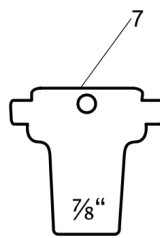
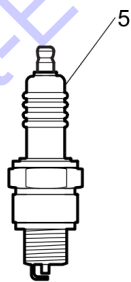
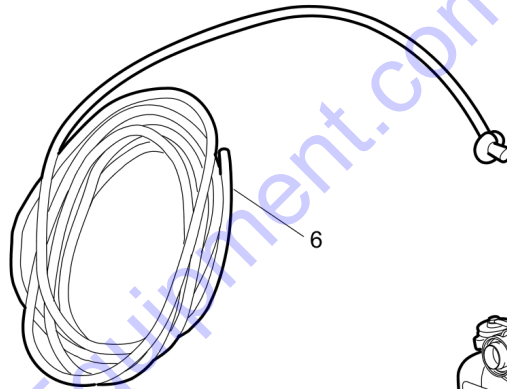
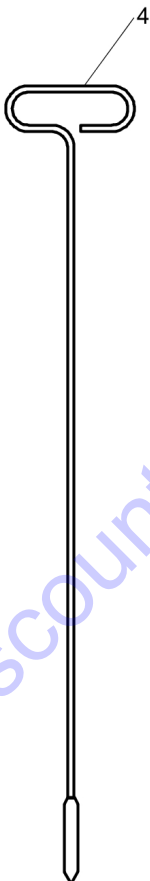
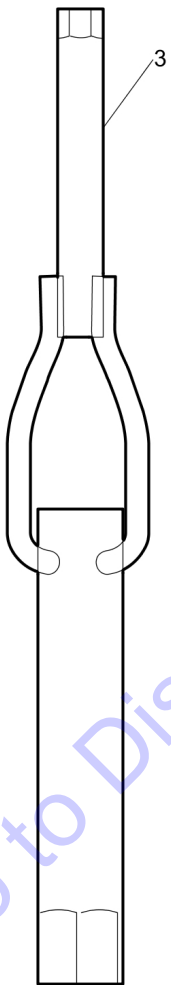


Id	Qty	Number	Name	Specifications
1			Flywheel	- 35 Nm
2			Fan with aluminium hub	- 15 Nm
3			M6 screws for silencer and fan cover	- 8 Nm
4			M6 nuts + other M6 screws	- 10 Nm
5			M8 screws for engine/hammer cylinder	- 23 Nm
6			M8 screws for breaker housing	- 25 Nm
7			M5 screws for engine cylinder	- 10 Nm
8			M5 screw for crankcase valve	- 8 Nm
9			M5 nuts for filter housing	- 4 Nm
10			M4 screws for electronic unit	- 2.9 Nm
11			Special screws (9234 0001 54) for carrier	- 2 Nm
12			Oil plug for gear box	- 2 Nm
13			De-compression valve	- 20 Nm
14			Spark plug	- 20 Nm
15			Filter cover knob	- >2 Nm
16			M6 studs on crankcase halves	- 4-5 Nm
17			M8 x 1 nuts for handle assembly	- 10 Nm

Go to Discount-Equipment.com to order your parts

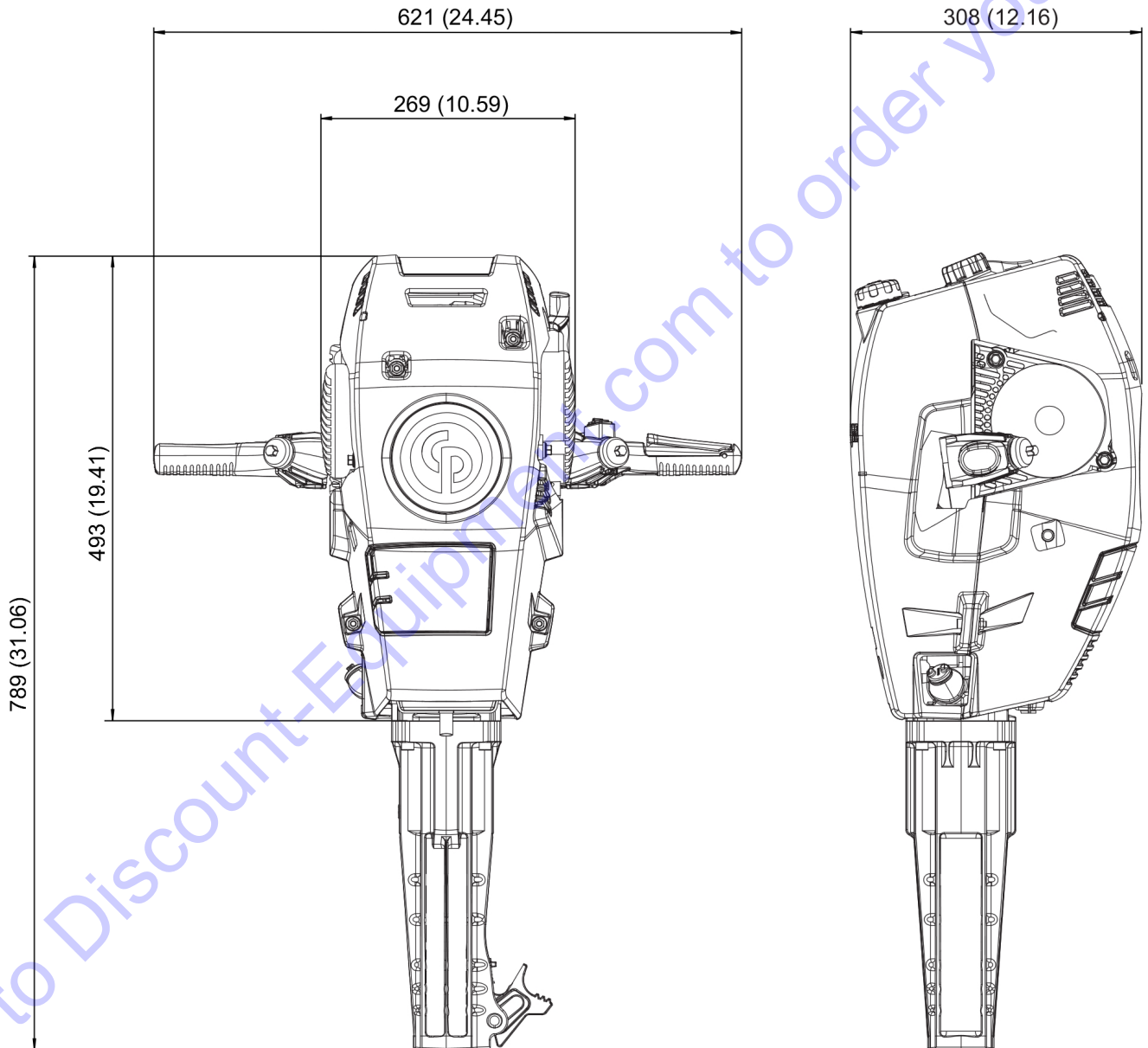


1								
2	3	4	5	6	7	8	9	



Id	Qty	Number	Name	Specifications
1	1	9234000905	TOOL BAG ASSY	
2	1	9238271020	Tool bag	
3	1	9238271400	SOCKET WRENCH	
4	1	9238270100	CLEANING NEEDLE	
5	1	9234000904	SPARK PLUG	
6	1	9232240510	STARTER ROPE	
7	1	9238270790	TEMPLATE	
8	1	9238270810	TOOL	
9	1	9238271840	OIL MEASURE	
10	1	9234001125	MACHINE BOX RED HAWK	
11	1	9234000897	Petrol can 5.0 litres, 1.1 gal	Not approved in US according to EPA regulations.
12	1	9238281410	CARRYING HAR	
13	1	9234000654	Trolley	
14	1	9234021139	Spare wheel, complete	

Go to Discount-Equipment.com to order your parts





# PARTS FINDER

**Search Website  
by Part Number**



**Search Manual  
Library For Parts  
Manual & Lookup Part  
Numbers – Purchase  
or Request Quote**

**Search Manuals**

Enter your information to help us find the right parts manual for your machine.

\* Brand:

\* Model:

\* Serial:

\* Part Number:

SEARCH

**Can't Find Part or  
Manual? Request Help  
by Manufacturer,  
Model & Description**

**Parts Order Form**

Please fill in the following information to help us find the right part for your machine.

Manufacturer:	<input type="text"/>
Model:	<input type="text"/>
Description:	<input type="text"/>
Part Number:	<input type="text"/>
Quantity:	<input type="text"/>
Notes:	<input type="text"/>

SEARCH

Discount-Equipment.com is your online resource for quality parts & equipment.

Florida: **561-964-4949** Outside Florida TOLL FREE: **877-690-3101**

**Need parts?**

Click on this link: <http://www.discount-equipment.com/category/5443-parts/> and choose one of the options to help get the right parts and equipment you are looking for. Please have the machine model and serial number available in order to help us get you the correct parts. If you don't find the part on the website or on one of the online manuals, please fill out the request form and one of our experienced staff members will get back to you with a quote for the right part that your machine needs.

We sell worldwide for the brands: Genie, Terex, JLG, MultiQuip, Mikasa, Essick, Whiteman, Mayco, Toro Stone, Diamond Products, Generac Magnum, Airman, Haulotte, Barreto, Power Blanket, Nifty Lift, Atlas Copco, Chicago Pneumatic, Allmand, Miller Curber, Skyjack, Lull, Skytrak, Tsurumi, Husquvarna Target, Stow, Wacker, Sakai, Mi-T-M, Sullair, Basic, Dynapac, MBW, Weber, Bartell, Bennar Newman, Haulotte, Ditch Runner, Menegotti, Morrison, Contec, Buddy, Crown, Edco, Wyco, Bomag, Laymor, EZ Trench, Bil-Jax, F.S. Curtis, Gehl Pavers, Heli, Honda, ICS/PowerGrit, IHI, Partner, Imer, Clipper, MMD, Koshin, Rice, CH&E, General Equipment, Amida, Coleman, NAC, Gradall, Square Shooter, Kent, Stanley, Tamco, Toku, Hatz, Kohler, Robin, Wisconsin, Northrock, Oztec, Toker TK, Rol-Air, APT, Wylie, Ingersoll Rand / Doosan, Innovatech, Con X, Ammann, Mecalac, Makinex, Smith Surface Prep, Small Line, Wanco, Yanmar