



**Discount
Equipment**

www.discount-equipment.com

Filter	1317008348,HOP 082133 -
Identity	1317008348
Specifications	Division: Portable Air, Product group: Diesel Driven Compressors, Product type: Medium Air, Product: CPS 650-900 JD8 T4F HB, Product Company: Rockhill

PARTS FINDER

**Search Website
by Part Number**



**Search Manual
Library For Parts
Manual & Lookup Part
Numbers – Purchase
or Request Quote**

Search Manuals

Enter your information to help us find the right parts manual for your machine.

* Brand:

* Model:

* Serial:

* Part Number:

SEARCH

**Can't Find Part or
Manual? Request Help
by Manufacturer,
Model & Description**

Parts Order Form

Please fill in the following information to help us find the right part for your machine.

Manufacturer:	<input type="text"/>
Model:	<input type="text"/>
Description:	<input type="text"/>
Part Number:	<input type="text"/>
Quantity:	<input type="text"/>
Notes:	<input type="text"/>

Submit

Discount-Equipment.com is your online resource for quality parts & equipment.

Florida: **561-964-4949** Outside Florida TOLL FREE: **877-690-3101**

Need parts?

Click on this link: <http://www.discount-equipment.com/category/5443-parts/> and choose one of the options to help get the right parts and equipment you are looking for. Please have the machine model and serial number available in order to help us get you the correct parts. If you don't find the part on the website or on one of the online manuals, please fill out the request form and one of our experienced staff members will get back to you with a quote for the right part that your machine needs.

We sell worldwide for the brands: Genie, Terex, JLG, MultiQuip, Mikasa, Essick, Whiteman, Mayco, Toro Stone, Diamond Products, Generac Magnum, Airman, Haulotte, Barreto, Power Blanket, Nifty Lift, Atlas Copco, Chicago Pneumatic, Allmand, Miller Curber, Skyjack, Lull, Skytrak, Tsurumi, Husquvarna Target, Stow, Wacker, Sakai, Mi-T-M, Sullair, Basic, Dynapac, MBW, Weber, Bartell, Bennar Newman, Haulotte, Ditch Runner, Menegotti, Morrison, Contec, Buddy, Crown, Edco, Wyco, Bomag, Laymor, EZ Trench, Bil-Jax, F.S. Curtis, Gehl Pavers, Heli, Honda, ICS/PowerGrit, IHI, Partner, Imer, Clipper, MMD, Koshin, Rice, CH&E, General Equipment, Amida, Coleman, NAC, Gradall, Square Shooter, Kent, Stanley, Tamco, Toku, Hatz, Kohler, Robin, Wisconsin, Northrock, Oztec, Toker TK, Rol-Air, APT, Wylie, Ingersoll Rand / Doosan, Innovatech, Con X, Ammann, Mecalac, Makinex, Smith Surface Prep, Small Line, Wanco, Yanmar

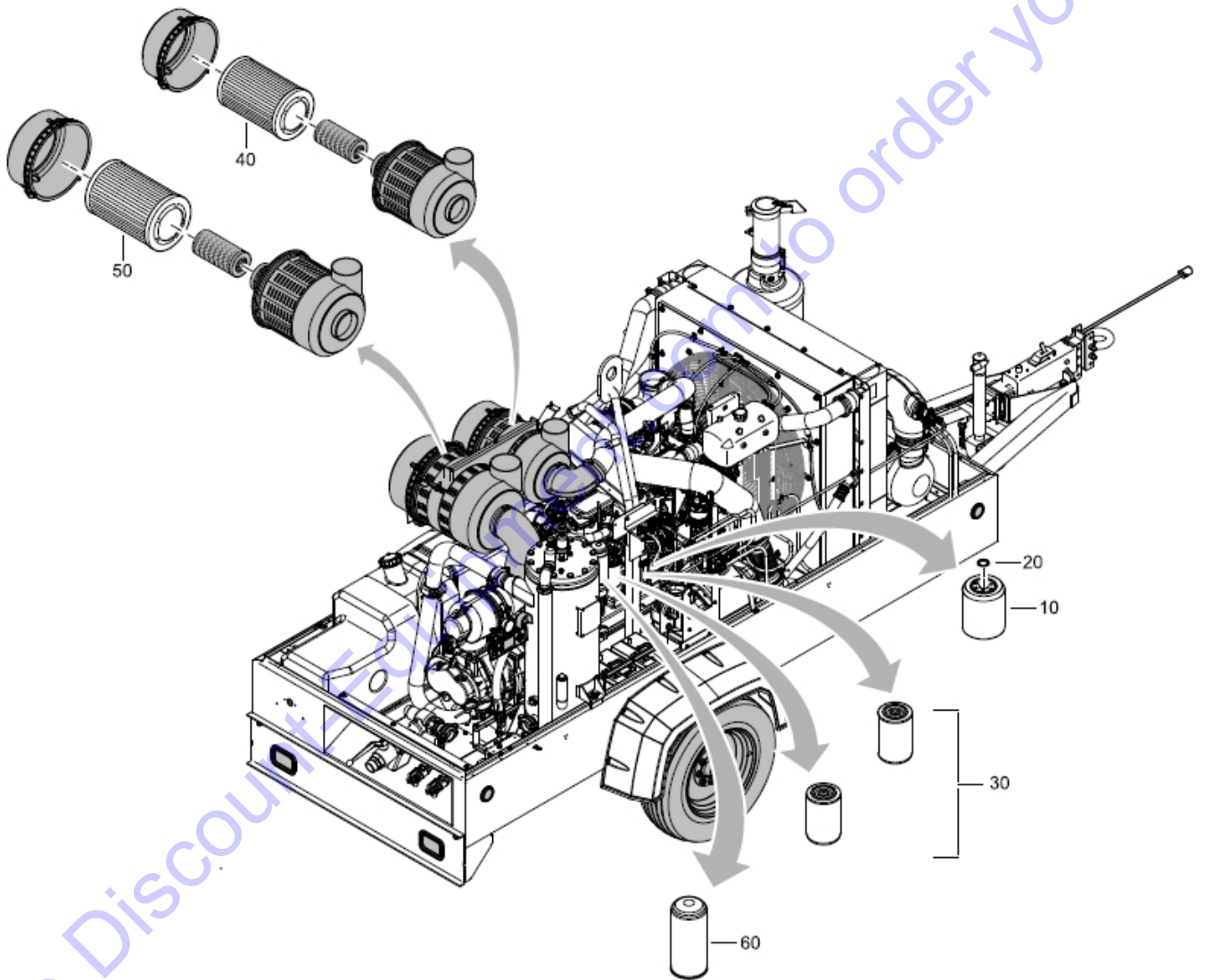
Kits and consumables	1310311647
FILTER KIT:FUEL FILTERS W/SEAL	1310923196
Service Pak 1000 hours	1310923208
ENGINE OIL	Engine_oil_Genoil
COMPRESSOR OIL	Compressor_oil_Genoil
COOLANT	Coolant_Gencool
SERVICE KIT - UNLOADER VALVE	2911016900
SERVICE KIT - REGULATING VALVE	2911992100
SERVICE KIT - OIL SEPARATOR	2911011203
SERVICE KIT - OIL STOP VALVE	2911014900
Gearcasing and mounts	1310312816
Gearset	1310923204
Gearset	1626531480
Oil system	1310312961
Regulating system	1310923290
Air inlet	1310322275
Air outlet	1310923219
Air outlet system	1310923609
UNLOADER VALVE	1626215381
VALVE REGULATOR	1626105283
Vessel assembly	1310174681
Bodywork	1310923386
BAFFLE ASY:REAR XAS750T3/T4	1310629981
BAFFLE ASY:FRONT UP S2LP T4F	1310633586
PANEL ASY:REAR CPS 850	1310133595
PANEL ASY:CPS 850 JD FT4	1310133495
PANEL ASY:DOOR S2LP CPS T4F	1310611295
PANEL ASY:REAR XATS 750 JD FT4	1310133580
BAFFLE ASSEMBLY - REAR	1310629981
Panel assembly	1310611281
Fleetlink	1310924217
FRAME AND MOUNTS	1310322441
Frame kit	1310082700
Frame Kit	1310083810
LOUVER ASY:FRONT XAS750 FT4	1310633682
Roof assembly	1310611081
Roof assembly	1310611081
Fleetlink	1310924217
Label - CPS	1310923388_02cps900
Label	1310923389
Labels	1310923387
Label sheet:xas	1310074813
ENGINE AND ACCESSORIES	1310923731
Engine air and water system	1310322443
Engine service parts	1310074099
Cooling system	1310322446
DRAINS	1310923122
Fuel system	1310923188
FUELTANK:XATS 750 S2LP PLASTIC	1310175601
Exhaust system:	1310923729

ENGINE-DIESEL:6068HFC08 GEN1.5	1310075314
KIT:ENGINE XAS 900 JD	1316020070
DIESEL EXHAUST FLUID SYSTEM	1310322472
ELECTRICAL SYSTEM	1310978700
ROADLIGHTS	1310923104
Control panel	1310322473
NO AIR INLET SHUTDOWN	1310312901
Frame kit	1310083800
ASY:RH ELEC BRAKE DEXTER AXLE	1310154085
Frame kit	1310078891
UNDERCARRIAGE	1310923234
Undercarriage assembly	1310923407
DUAL OUTLET	1310924309
Towbar assembly	1310154086
No aftercooler	1310312837
AXLE ASY:XA(T)S 750 FT4 EB	1310159710

Go to Discount-Equipment.com to order your parts

Kits and consumables	Item Number	Description	Change Interval / Quantity		
			500 Hours	1000 Hours	When Needed
Maintenance Kit	1	Service pack 500 hours	1		No
	2	Service Pak 1000 Hours		1	
Compressor Oil	3	Can Genoil M 5 Liter/1.32 Gallon	50 Liter 12.5 Gallon	50 Liter 12.5 Gallon	No
Use Genoil M	4	Can Genoil M 20 Liter/5.3 Gallon			
Use Genoil S	5	Can Genoil S 5 Liter/1.32 Gallon			
Use Genoil S Ultra	6	Can Genoil S Ultra 20 Liter/5.3 Gallon			
Engine Oil	7	Can Genoil 15W40 5 Liter/1.32 Gallon	34 Liter 8.5 Gallon	34 Liter 8.5 Gallon	No
Use Genoil 15W40	8	Can Genoil 15W40 20 Liter/5.3 Gallon			
Use Genoil 5W40	9	Can Genoil 5W40 5 Liter/1.32 Gallon			
Use Genoil Engine Green	10	Can Genoil 5W40 20 Liter/5.3 Gallon			
	11	Can Genoil Engine Green 5 Liter/1.32 Gallon			
	12	Can Genoil Engine Green 20 Liter/5.3 Gallon			
Engine Coolant	13	Can Gencool EG concentrate 5 Liter/1.32 Gallon	44 Liter 11 Gallon	44 Liter 11 Gallon	No
Use Gencool Green	14	Can Gencool EG 5 Liter/1.32 Gallon			
	15	Can Gencool EG 20 Liter/5.3 Gallon			
Service and Repair Kits	16	Service kit - Unloading valve			1
	17	Service kit - Regulating valve			1
	18	Service kit - Oil separator			1
	19	Service kit - Oil stop valve			1

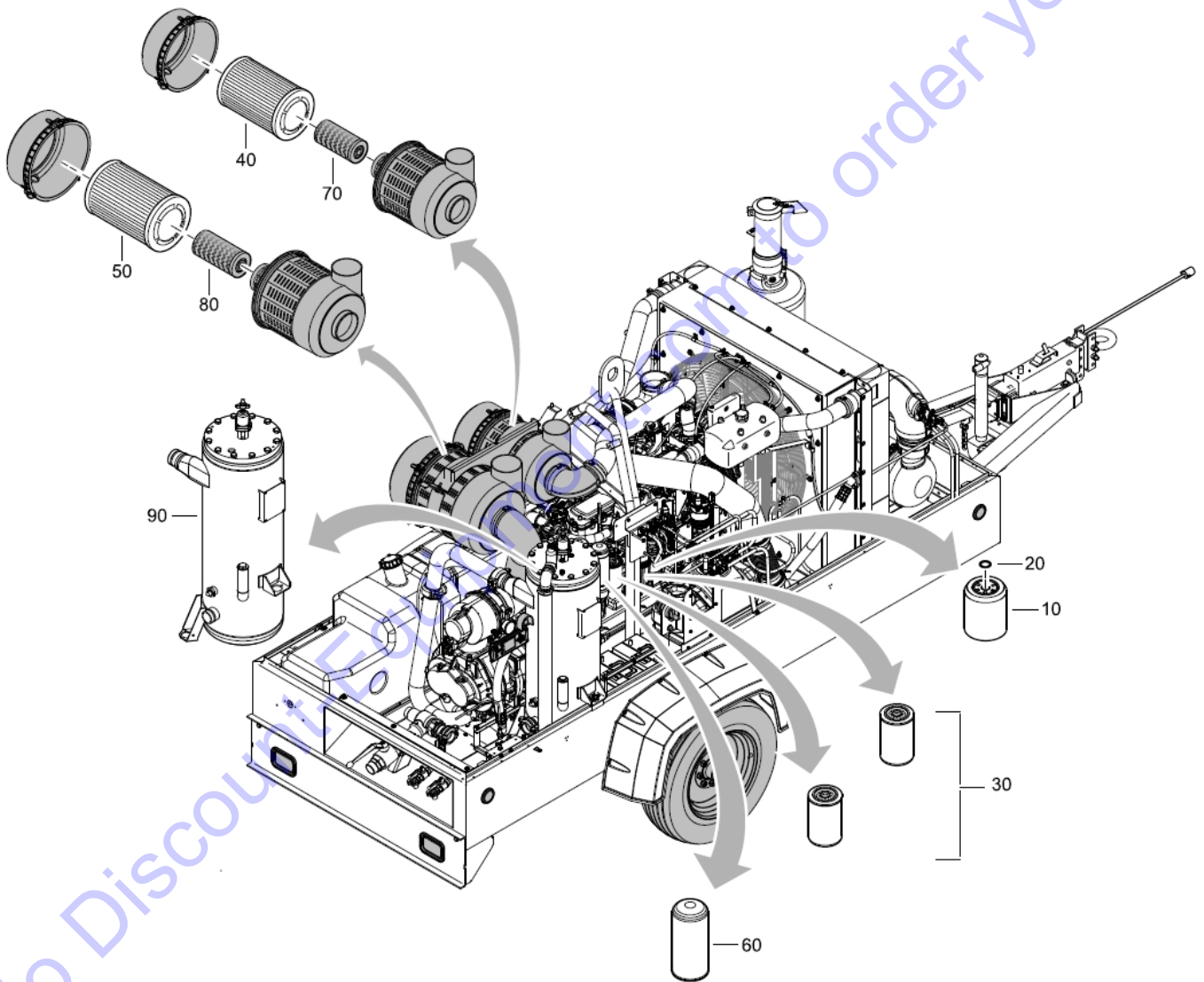
Id	Qty	Number	Name	Specifications
1	1	1310923196	FILTER KIT:FUEL FILTERS W/SEAL	Version: 00
2	1	1310923208	SEAL KIT	Version: 00
3	10	1626226000	GENOIL M CAN 5L	
4	3	1626226100	GENOIL M CAN 20L	
5	10	1630017500	OIL GENOIL S 20L	
6	3	1630024900	Can Genoil S Ultra 20 Liter/5.3 Gallon	
7	7	1626226200	GENOIL 15W40 CAN 5L	
8	2	1626226300	GENOIL 15W40 CAN 20L	
9	7	1626225801	CAN GENOIL 5W40 5 LITER/1.32 GALLON	
10	2	1626225901	CAN GENOIL 5W40 20 LITER/5.3 GALLON	
11	7	1638074000	CAN GENOIL ENGINE GREEN 5 LITER/1.32 GALLON	
12	2	1638075000	CAN GENOIL ENGINE GREEN 20 LITER/5.3 GALLON	
13	9	1626225701	CAN GENCOOL EG CONCENTRATE 5 LITER/1.32 GALLON	
14	9	1626225501	CAN GENCOOL EG 5 LITER/1.32 GALLON	
15	3	1626225601	CAN GENCOOL EG 20 LITER/5.3 GALLON	
16	1	2911016900	SERVICE KIT - UNLOADER VALVE	
17	1	2911992100	SERVICEKIT	
18	1	2911011203	KIT OIL SEPARATOR	
19	1	2911014900	SERVICE KIT - OIL STOP VALVE	



Id	Qty	Number	Name	Specifications
30	1		FILTER KIT:FUEL FILTERS W/SEAL	
10	1		FILTER-OIL	
20	1		GASKET:OIL FILTER	
60	3		FILTER OIL	
40	1		AIR FILTER ELEMENT GLUESTRING	
50	1		FILTER ELEMENT OFF-SHORE	
	1	2914512800	SEAL KIT	

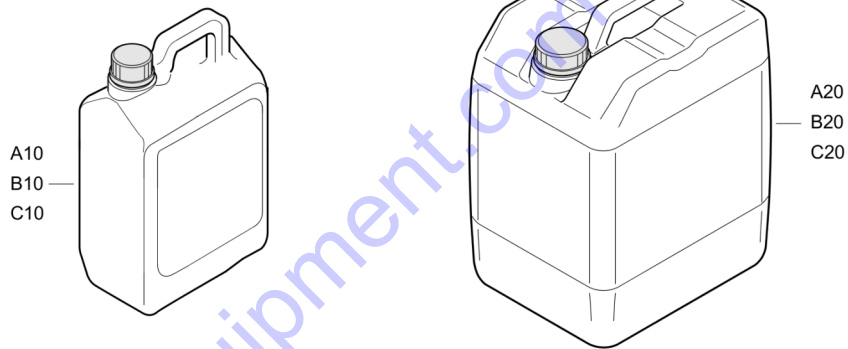
Go to Discount-Equipment.com to order your parts

Not Illustrated			
Ref	Part Number	Designation	Qty
100	-	Crankcase Breather Filter	1



Id	Qty	Number	Name	Specifications
10	1		Engine Oil Filter	
20	1		Engine Oil Filter Seal	
30	1		Fuel Filter Kit	
40	1		Air Filter Primary Element	
50	1		Air Filter Primary Element	
60	3		Compressor oil filter	
70	1		Air filter safety element	
80	1		Air filter safety element	
90	1		Oil Seprator	
100	1		Crankcase Breather Filter	

Go to Discount-Equipment.com to order your parts



Id	Qty	Number	Name	Specifications
-			GENOIL PERFORMANCE	
A10	1	1626226200	GENOIL 15W40 CAN 5L	
A20	1	1626226300	GENOIL 15W40 CAN 20L	
-			GENOIL ENGINE PLUS	
B10	1	1626225801	CAN GENOIL 5W40 5 LITER/1.32 GALLON	
B20	1	1626225901	CAN GENOIL 5W40 20 LITER/5.3 GALLON	
-			GENOIL ENGINE GREEN	
C10	1	1638074000	CAN GENOIL ENGINE GREEN 5 LITER/1.32 GALLON	
C20	1	1638075000	CAN GENOIL ENGINE GREEN 20 LITER/5.3 GALLON	

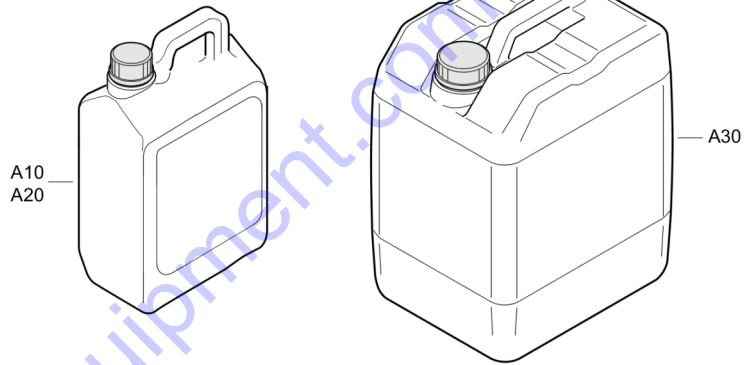
Go to Discount-Equipment.com to order your parts



Go to Discount-Equipment.com to order your parts

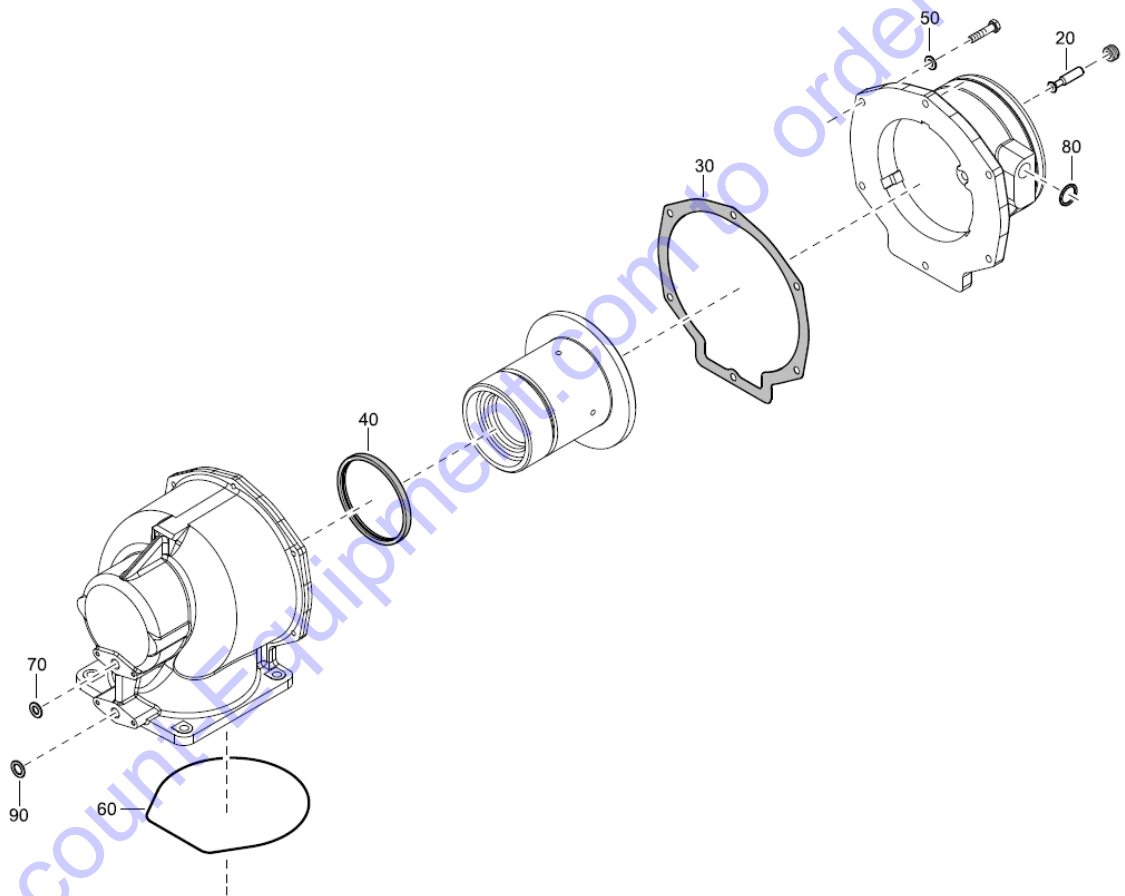
Id	Qty	Number	Name	Specifications
-			GENOIL M	
A10	1	1626226000	GENOIL M CAN 5L	
A20	1	1626226100	GENOIL M CAN 20L	
-			GENOIL S	
B20	1	1630017500	OIL GENOIL S 20L	
-			GENOIL S ULTRA	
C20	1	1630024900	Can Genoil S Ultra 20 Liter/5.3 Gallon	

Go to Discount-Equipment.com to order your parts



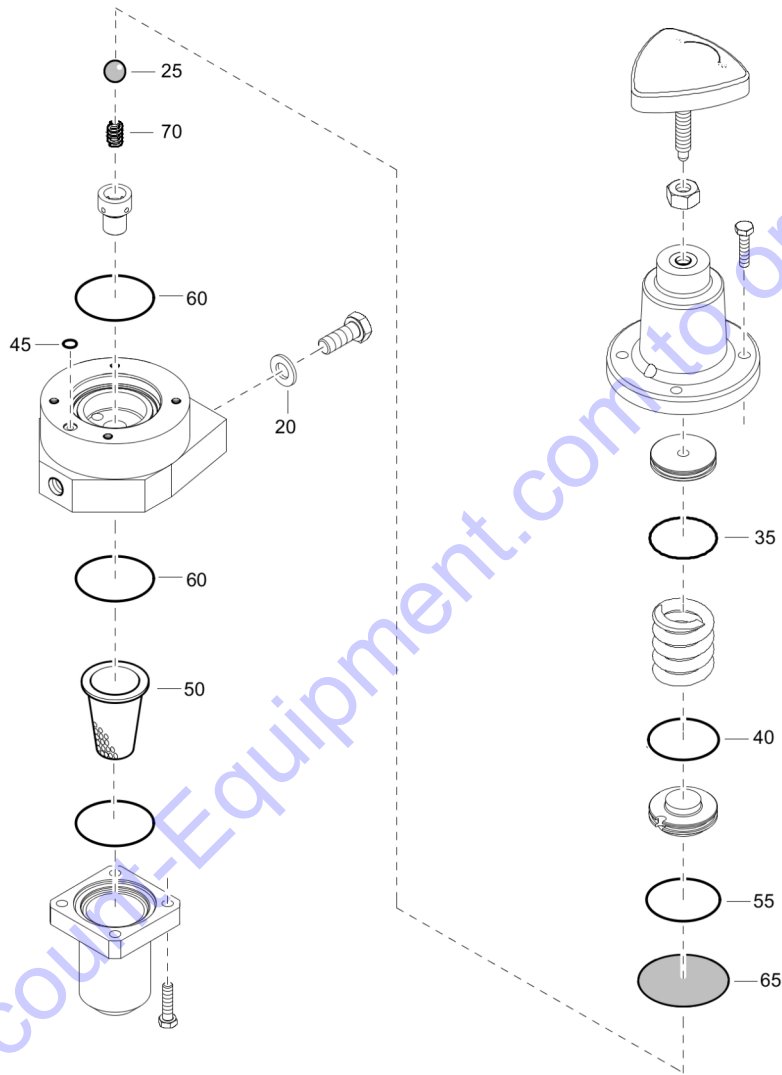
Id	Qty	Number	Name	Specifications
A10	1	1626225701	CAN GENCOOL EG CONCENTRATE 5 LITER/1.32 GALLON	
A20	1	1626225501	CAN GENCOOL EG 5 LITER/1.32 GALLON	
A30	1	1626225601	CAN GENCOOL EG 20 LITER/5.3 GALLON	

Go to Discount-Equipment.com to order your parts



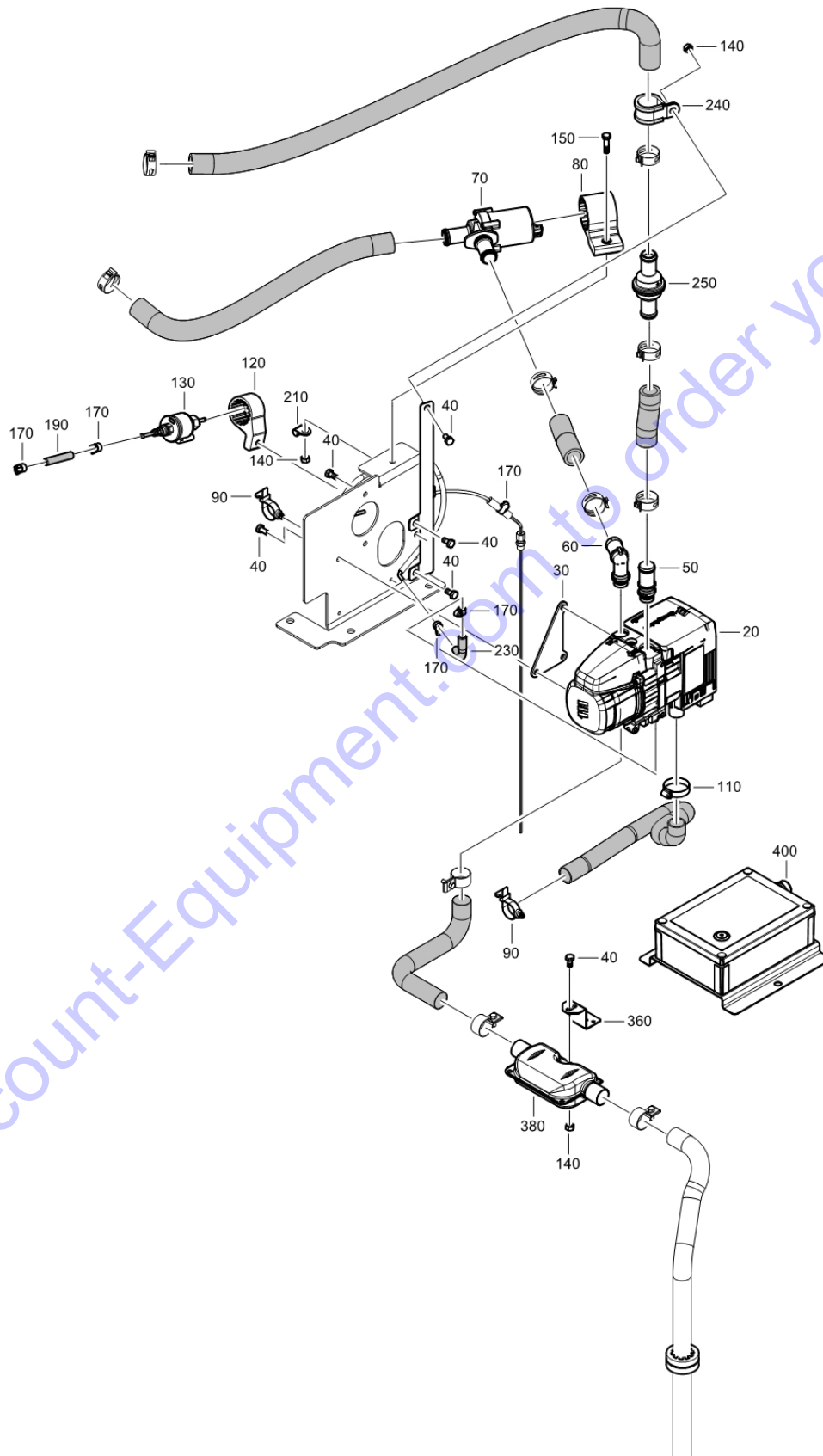
Id	Qty	Number	Name	Specifications
-	1	2911016900	SERVICE KIT - UNLOADER VALVE	
20	1		VALVE	
30	1		Gasket	
40	1		Seal	
50	6		Plain washer	
60	1		O-ring	
70	1		FLAT GASKET	
80	1		Gasket	
90	1		Gasket	

Go to Discount-Equipment.com to order your parts



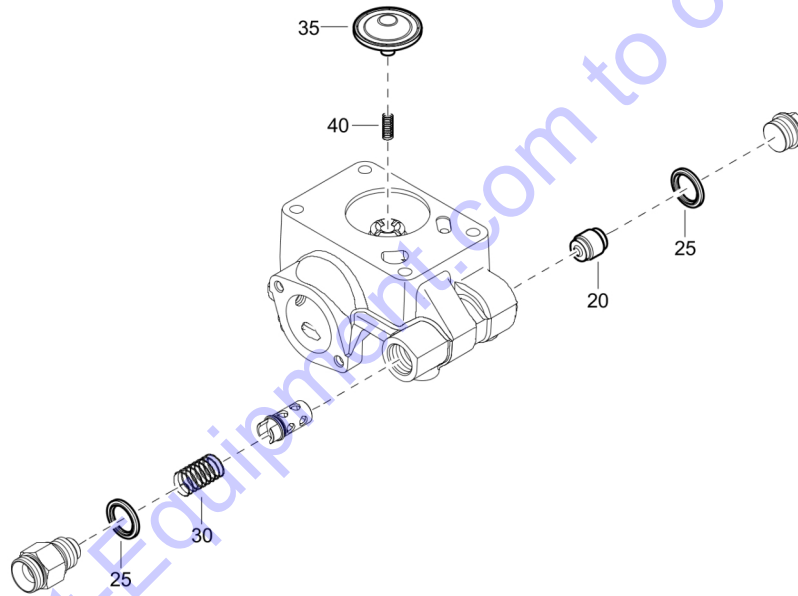
Id	Qty	Number	Name	Specifications
20	2		PLAIN WASHER	
25	1		BALL BEARING	
35	2		O-RING	
40	1		O-RING	
45	1		O-RING	
50	1		Filter	
55	1		O-RING	
60	2		O-RING	
65	1		MEMBRANE	
70	1		SPRING	

Go to Discount-Equipment.com to order your parts



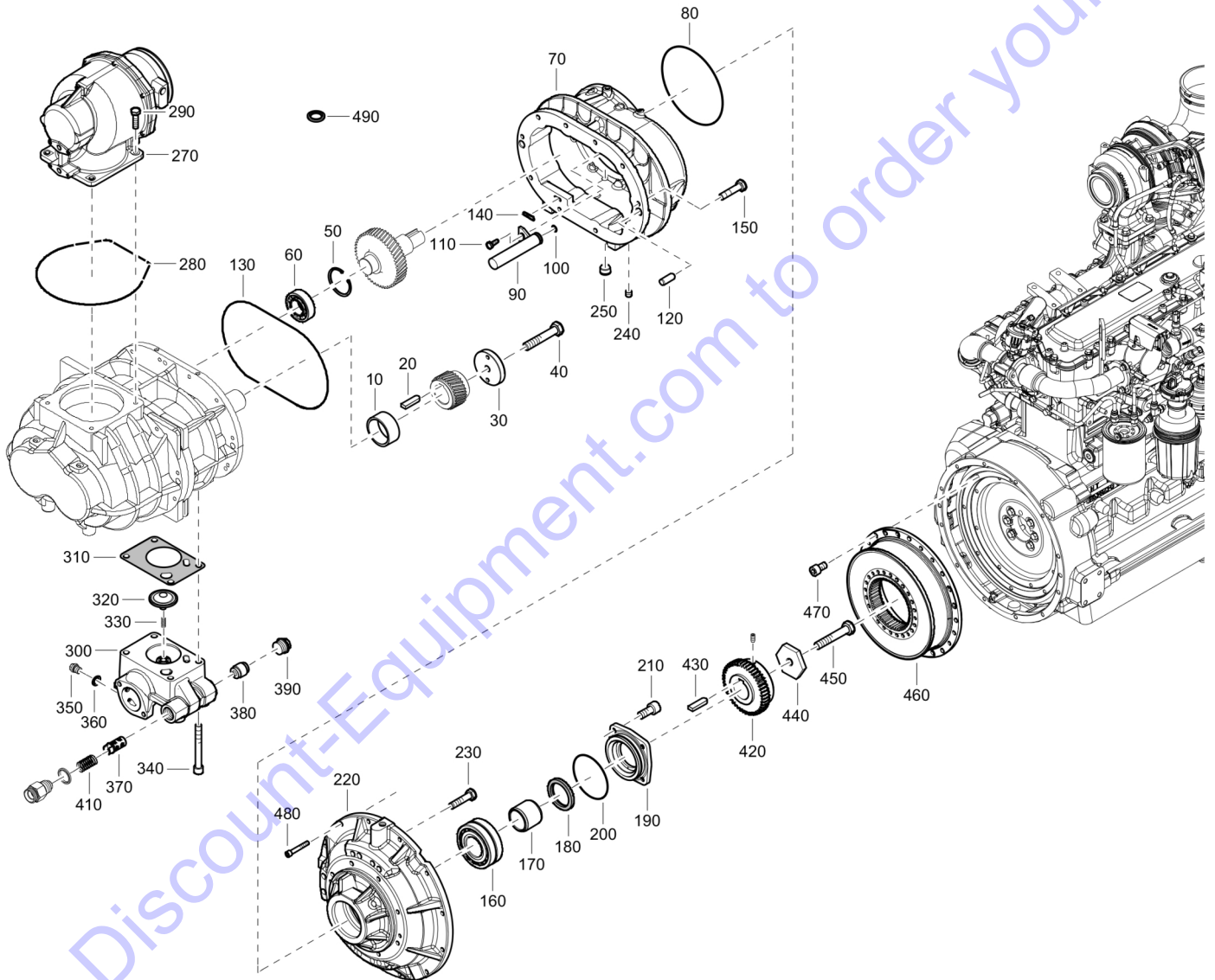
Id	Qty	Number	Name	Specifications
20	1		SEPARATOR ASSEMBLY	
30	1		O-RING	

Go to Discount-Equipment.com to order your parts

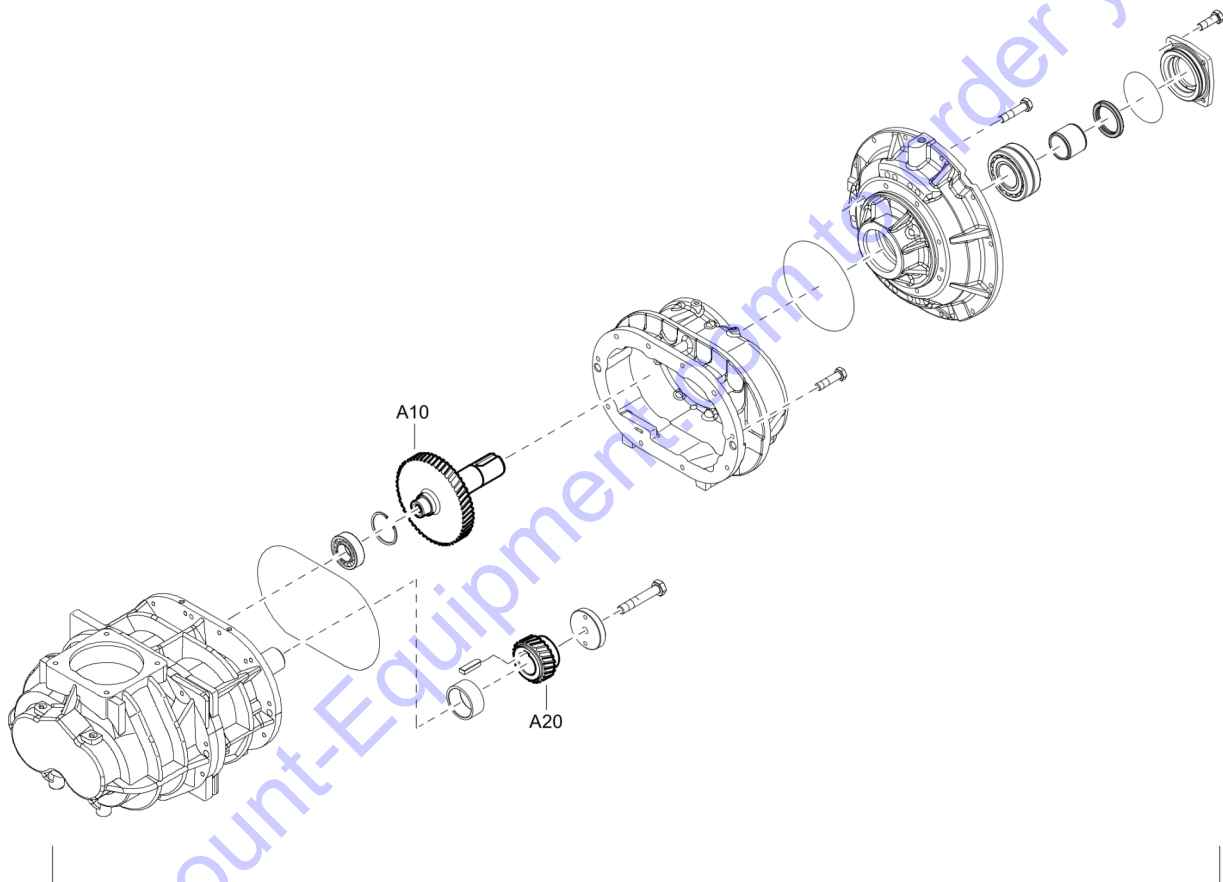


Id	Qty	Number	Name	Specifications
20	1		piston	
25	2		Sealing washer	
30	1		SPRING	
35	1		Check valve	
40	1		SPRING	

Go to Discount-Equipment.com to order your parts



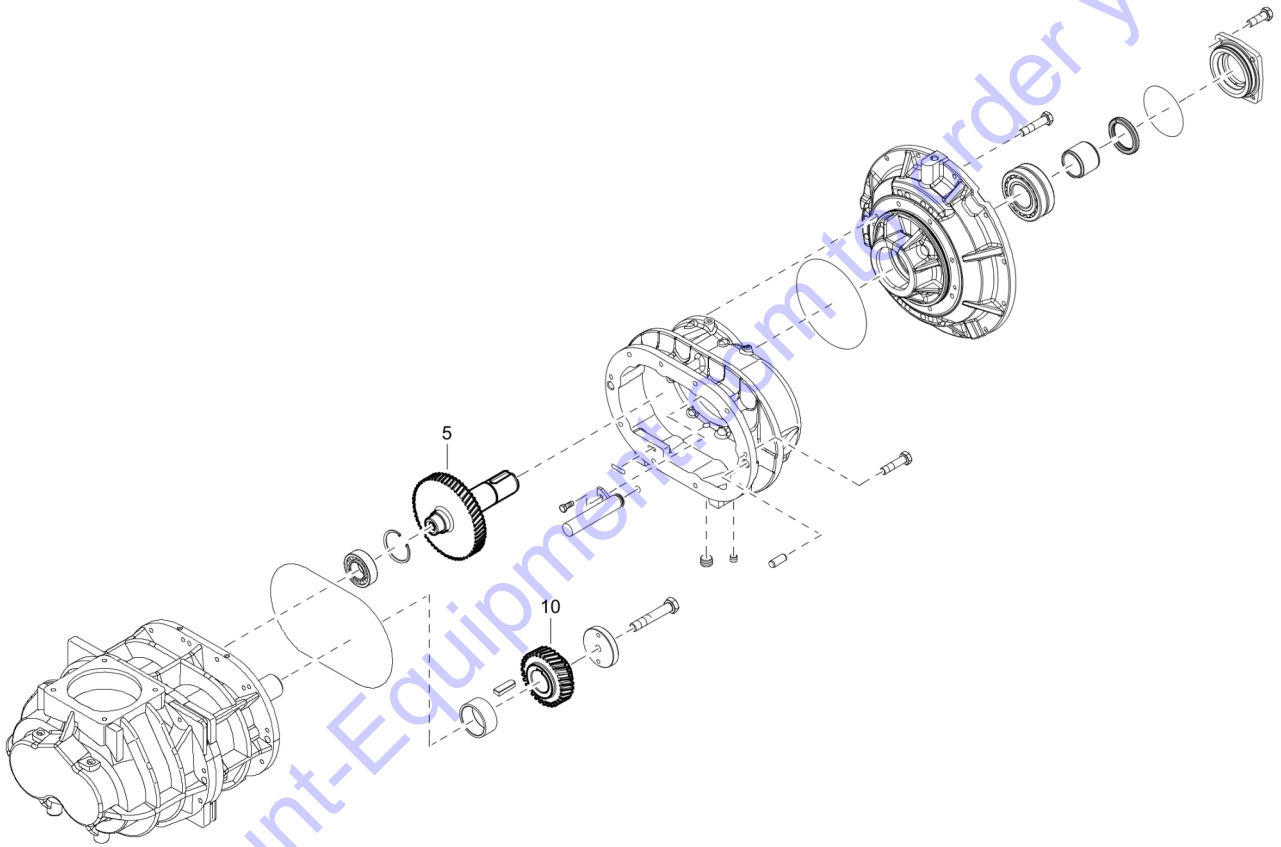
Id	Qty	Number	Name	Specifications
10	1	1604353300	SPACER	
20	1	0337229323	KEY:M 16X10X 55L SQ.ENDS,\$STL	
30	1	1622096400	WASHER 12.5	
40	1	0147140815	HEX. HEAD SCREW	
50	1	0335216000	CIRCLIP D=80	
60	1	0508115801	BEARING	
70	1	1604757702	GEARBOX	
80	1	0663210643	O-RING 215X3	
90	1	1604749701	NOZZLE	
100	1	0663311700	O-RING	
110	1	0147124403	HEX. HEAD SCREW M6 X 12	
120	2	0101162600	PIN	
130	1	0663210978	O-RING	
140	1	0663211146	O-RING 30X2.4	
150	10	0147136503	HEX. BOLT	
160	1	0506010009	BEARING-ROLLER:M 55/120X43	
170	1	1616601301	BUSHING	
180	1	1616601200	LIP SEAL	
190	1	1616494600	RETAINER	
200	1	0663714700	O-RING 114.5X3	
210	4	0211196080	SCREW:M10X20;SHCS,ZN PLT,12.9	
220	1	1604689103	ADAPTER GEARBOX	
230	8	0147136503	HEX. BOLT	
240	2	0686612600	PLUG	
250	1	0686613000	PLUG	
270	1	1626215381	UNLOADER ASSY	
280	1	0663210971	O-RING	
290	4	0147136303	SCREW HEXAGON	
300	1	1635538500	HOUSING VALVE	
310	1	1623740700	GASKET	
320	1	1626511900	VALVE CHECK	
330	1	1622079600	SPRING	
340	4	0211141700	HEX SOCK. SCREW	
350	1	0686371601	PLUG 1/4 AA	
360	1	0653106200	GASKET 13 X 20 X 1.5	
370	1	1613235600	THERMOSTATIC VALVE	
380	1	1626571600	PISTON OSV	
390	1	0686371607	PLUG	
410	1	1622566200	SPRING OIL STOP VALVE	
420	1	1604748800	COUPLING HUB	
430	1	0337229323	KEY:M 16X10X 55L SQ.ENDS,\$STL	
440	1	1604130600	WASHER	
450	1	0147140815	HEX. HEAD SCREW	
460	1	1604774700	COUPLING	
470	8	0211528700	CAP SCREW	
480	12	0211196407	HEX SOCK. SCREW	
490	2	0661100060	SEAL WASHER M14	



10

Id	Qty	Number	Name	Specifications
A10	1	1604799101	BULL GEAR	
A20	1	1604799701	Pinion	

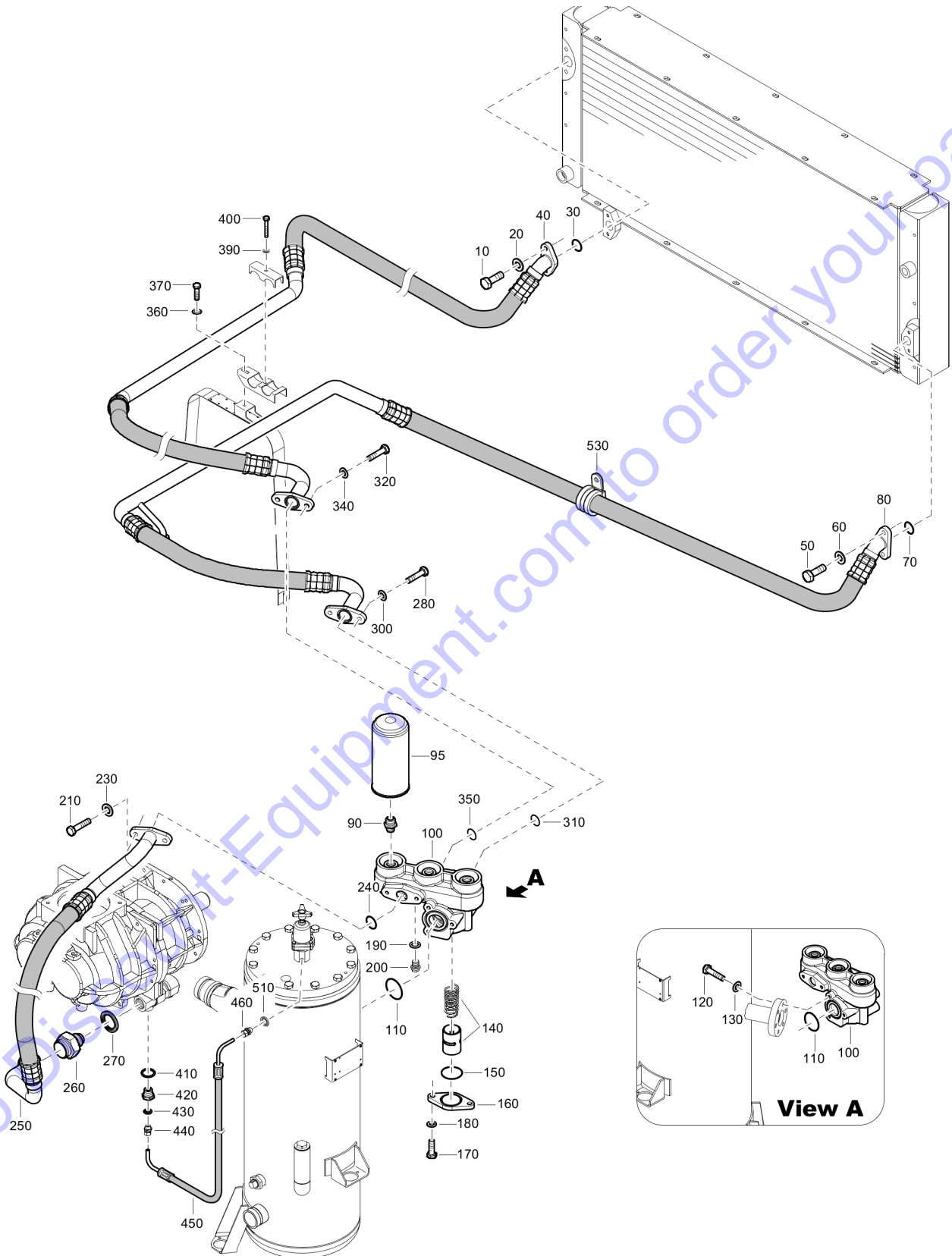
Go to Discount-Equipment.com to order your parts



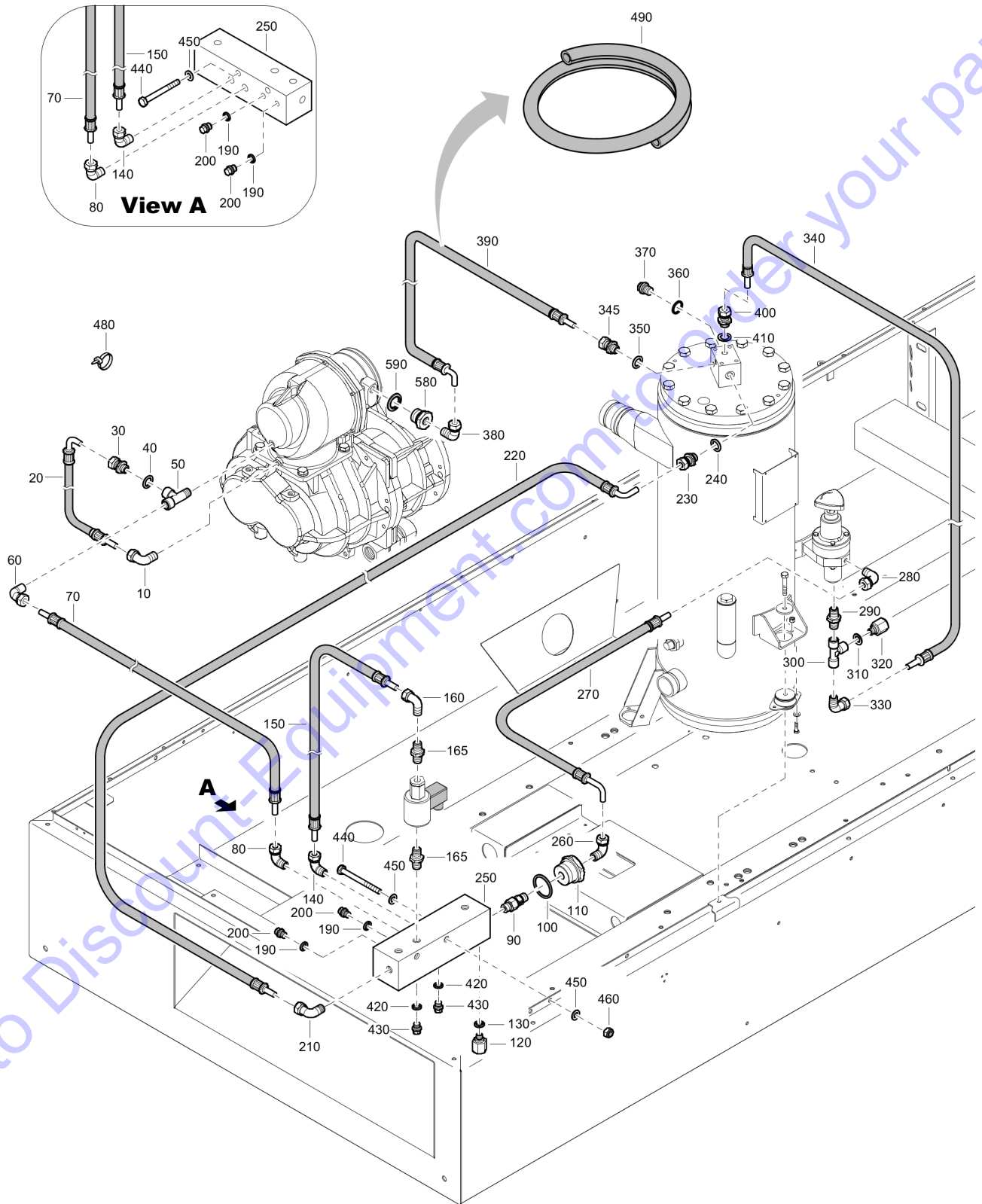
Go to Discount-Equipment.com to order your parts

Id	Qty	Number	Name	Specifications
5	1	1626531500	GEAR SET	
10	1	1626531400	Gear bull	

Go to Discount-Equipment.com to order your parts



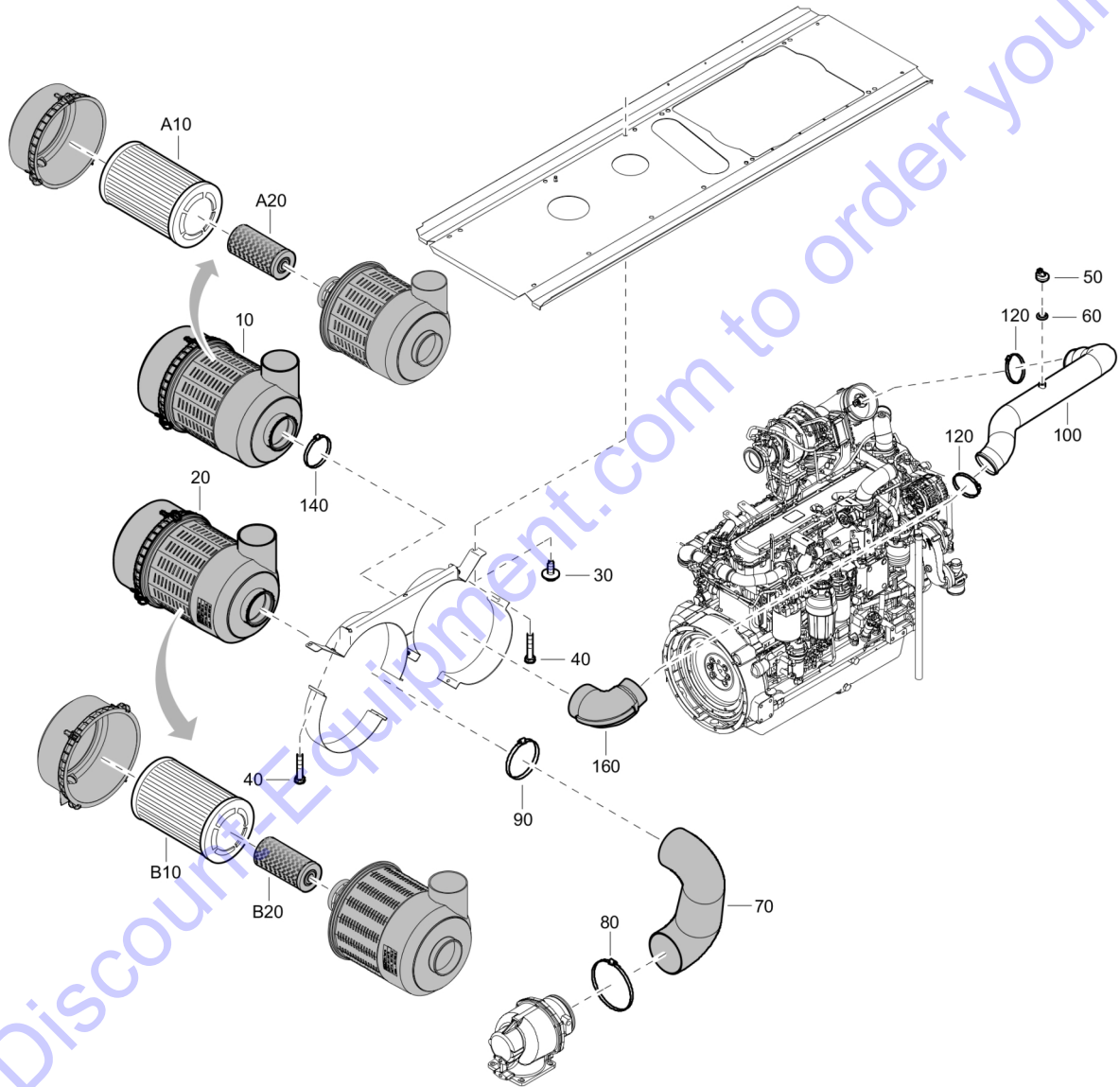
Id	Qty	Number	Name	Specifications
10	2	0147136203	HEX. HEAD SCREW M10 X 25	
20	2	0301234400	PLAIN WASHER M10	
30	1	0663313100	O-RING	
40	1	1310624501	HOSE ASY:OIL COOLER S2LP/IT4	
50	2	0147136203	HEX. HEAD SCREW M10 X 25	
60	2	0301234400	PLAIN WASHER M10	
70	1	0663313100	O-RING	
80	1	1310622601	HOSE ASSY - OIL COOLER	
90	3	2254725700	NIPPLE	
95	3	1092101590	FILTER-OIL:MULTIBRAND	
100	1	1615639800	HOUSING	
110	1	0663986800	O-RING	
120	3	0147136503	HEX. BOLT	
130	3	0301234400	PLAIN WASHER M10	
140	1	1626299300	VALVE THERM	
150	1	0663713400	O-RING 49.5X3	
160	1	1615639900	FLANGE	
170	2	0147136303	SCREW HEXAGON	
180	2	0301234400	PLAIN WASHER M10	
190	2	0653106200	GASKET 13 X 20 X 1.5	
200	2	0686371601	PLUG 1/4 AA	
210	2	0147136303	SCREW HEXAGON	
230	2	0301234400	PLAIN WASHER M10	
240	1	0663313100	O-RING	
250	1	1626154301	HOSE ASSEMBLY -	
260	1	1626154401	NIPPLE	
270	1	0661100044	SEAL WASHER DOWTY 1"	
280	2	0147136303	SCREW HEXAGON	
300	2	0301234400	PLAIN WASHER M10	
310	1	0663313100	O-RING	
320	2	0147136303	SCREW HEXAGON	
340	2	0301234400	PLAIN WASHER M10	
350	1	0663313100	O-RING	
360	2	0333322700	LOCK WASHER	
370	2	0147124703	HEX. BOLT M6X20X8.8	
390	2	0301232100	WASHER M6	
400	2	0147110740	SCREW:M6 X 45MM HEXHD 8.8 FZB	
410	1	0653112800	GASKET 22 X 27 X 1.5	
420	1	0605881406	BUSHING	
430	1	0661100038	SEAL WASHER DOWTY 1/4	
440	1	0581000052	STRAIGHT PIPE COUPLING	
450	1	0575032149	Hose assembly	
460	1	0581000047	STRAIGHT PIPE COUPLING	
510	1	0661100024	WASHER M10	
530	1	1619286101	PIPE CLAMP	



Id	Qty	Number	Name	Specifications
10	1	0581122804	PIPE COUPLING TYPE 2.1	
20	1	0575001204	HOSE ASSEMBLY	
30	1	0581002801	PIPE COUPLING	
40	1	0653106200	GASKET 13 X 20 X 1.5	
50	1	1503256611	TEE 1/4	
60	1	0581122804	PIPE COUPLING TYPE 2.1	
70	1	0575010240	HOSE ASSEMBLY	
80	1	0581122804	PIPE COUPLING TYPE 2.1	
90	1	0823000019	NON-RETURN VALVE	
100	1	0653118900	GASKET 33 X 39 X 2	
110	1	0605870062	BUSHING	
120	1	1626277700	ADAPTER	
130	1	0653104300	GASKET	
140	1	0581122804	PIPE COUPLING TYPE 2.1	
150	1	0575010211	Hose assembly	
160	1	0581122804	PIPE COUPLING TYPE 2.1	
165	2	1310432711	FITTING:G1/4	
190	2	0653104300	GASKET	
200	2	0686420103	PLUG 1/8 AA	
210	1	0581122804	PIPE COUPLING TYPE 2.1	
220	1	0575010240	HOSE ASSEMBLY	
230	1	0581002801	PIPE COUPLING	
240	1	0653106200	GASKET 13 X 20 X 1.5	
250	1	1626040503	MANIFOLD	
260	1	0581122804	PIPE COUPLING TYPE 2.1	
270	1	0575010240	HOSE ASSEMBLY	
280	1	0581122804	PIPE COUPLING TYPE 2.1	
290	2	0603410203	NIPPLE	
300	1	1503256602	TEE	
310	1	0653106200	GASKET 13 X 20 X 1.5	
320	1	1638000000	REDUCER PRESSURE	
330	1	0581122804	PIPE COUPLING TYPE 2.1	
340	1	0575010240	HOSE ASSEMBLY	
345	1	0581002801	PIPE COUPLING	
350	1	0653106200	GASKET 13 X 20 X 1.5	
360	1	0653112400	GASKET 21 X 26 X 1.5	
370	1	0686371647	PLUG G 1/2	
380	1	0581122804	PIPE COUPLING TYPE 2.1	
390	1	0575010240	HOSE ASSEMBLY	
400	1	0581002801	PIPE COUPLING	
410	1	0653106200	GASKET 13 X 20 X 1.5	
420	2	0653104300	GASKET	
430	2	0686420103	PLUG 1/8 AA	
440	2	0147133403	SCREW:M8 X 70MM HEXHD \$STL	
450	4	0301233500	PLAIN WASHER	
460	2	0291111000	LOCK NUT M8	
480	3	1088130105	CABLE TIE:	
490	7		Insulation	

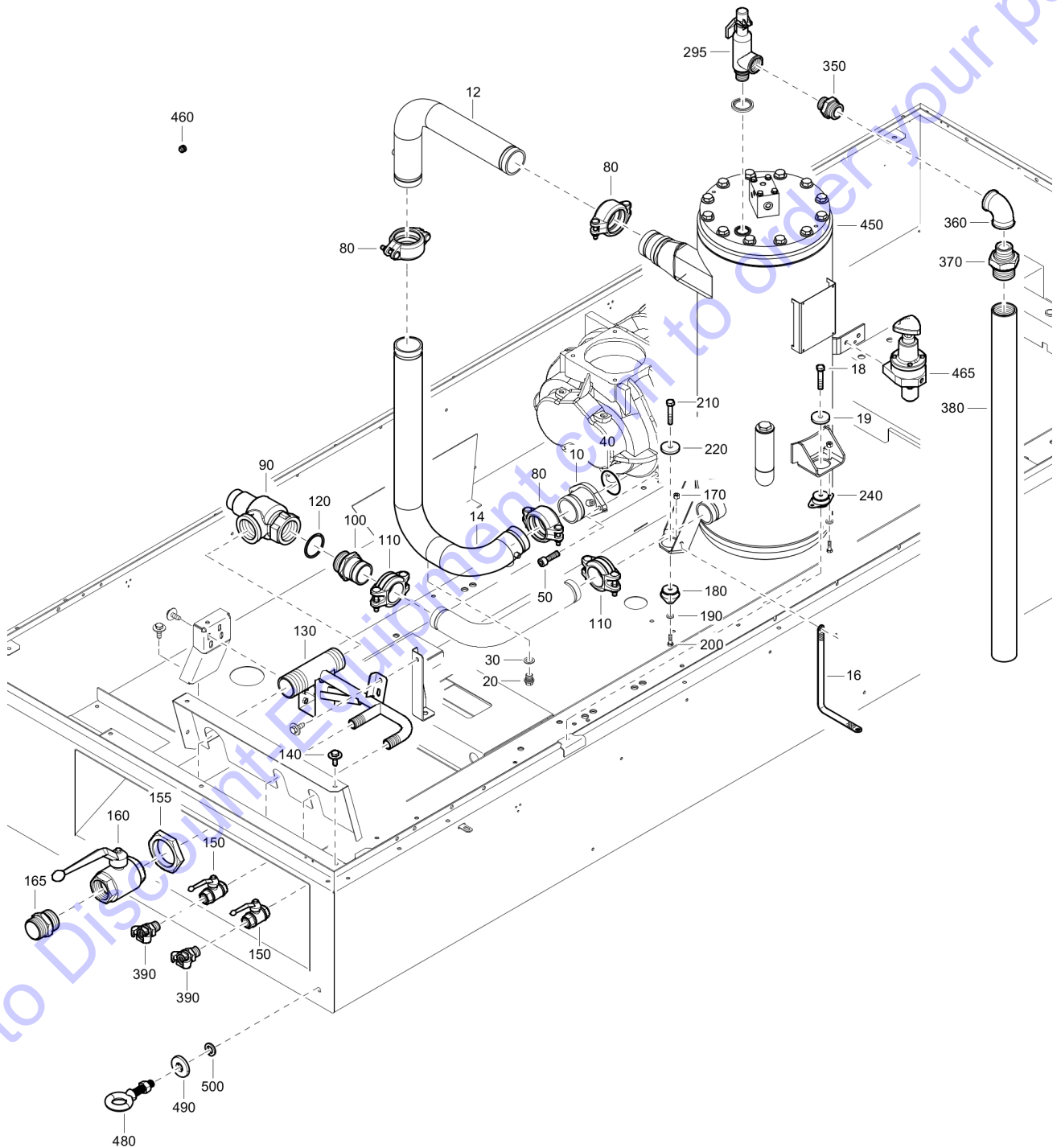
Id	Qty	Number	Name	Specifications
580	1	0605881406	BUSHING	
590	1	0661100039	SEAL WASHER DOWTY 1/2"	

Go to Discount-Equipment.com to order your parts



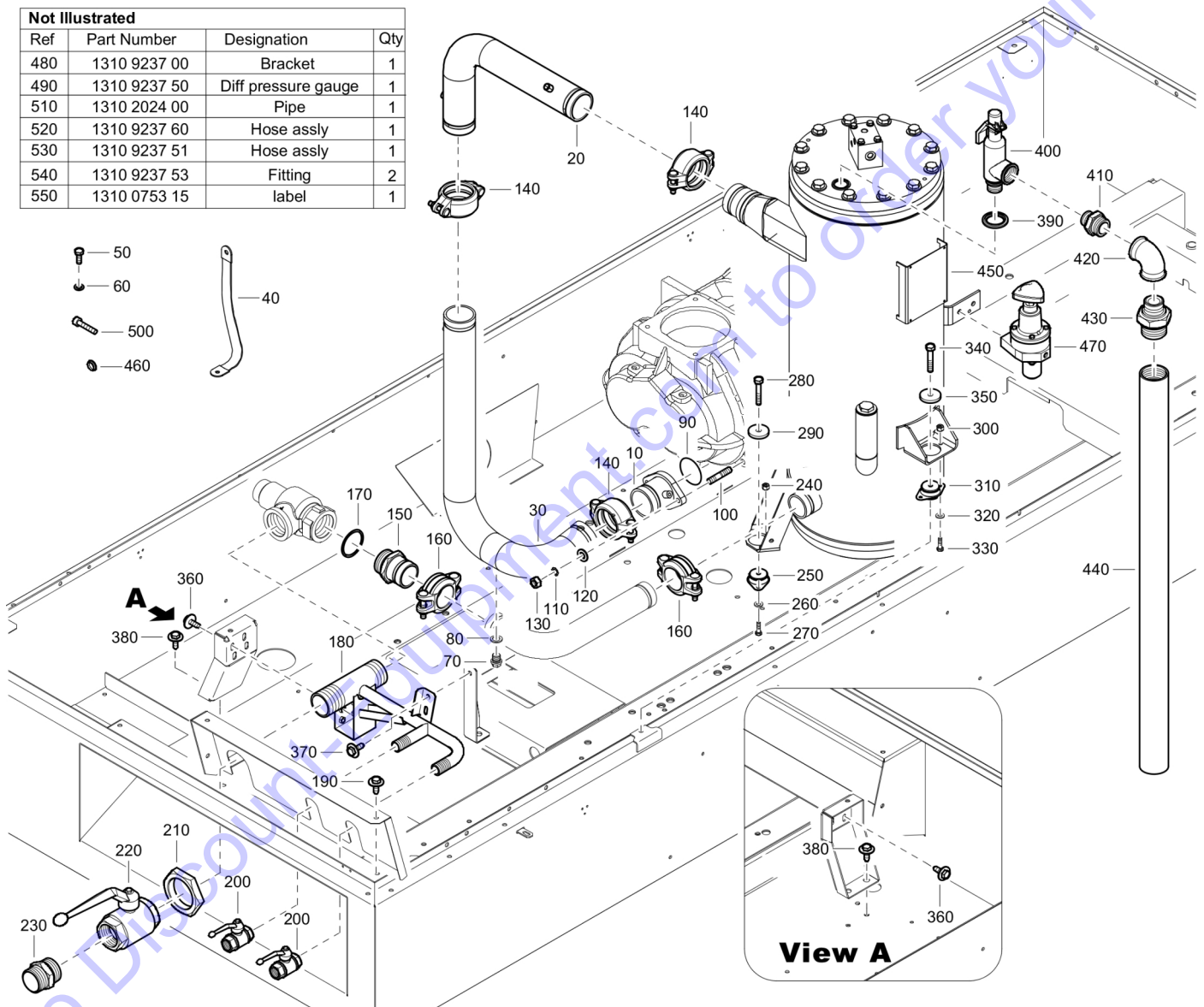
Id	Qty	Number	Name	Specifications
10	1	1626501500	FILTER AIR	
A10	1	6211475250	ELEMENT FILTER	
A20	1	1092037369	SECONDARY FILTE	
20	1	2205176612	AIR FILTER	
B10	1	6211475450	ELEMENT FILTER	
B20	1	2205176931	FILTER SAFETY EP800	
30	4	1615566400	HEX. HEAD SCREW	
40	4	0147132803	HEX. BOLT M8X40X8.8	
50	1	1089060705	WARNING SWITCH	
60	1	0661100024	WASHER M10	
70	1	1604997001	AIR DUCT	
80	1	0347612200	HOSE CLAMP	
90	1	0347612100	HOSE CLIP	
100	1	1310628201	PIPE:AIR INLET 750T4F	
120	2	0347611900	Hose clamp	
140	2	1310072347	CLAMP-HOSE:M128/150D WORM TYPE	
160	1	1310600131	ELBOW:REDUCING 5+-4+	

Go to Discount-Equipment.com to order your parts



Id	Qty	Number	Name	Specifications
10	1	1310179701	PIPE:VESSEL	
12	1	1310179510	PIPE:VESSEL	
14	1	1310210900	PIPE:VESSEL	
16	1	1310074428	STRAP:GROUND 12"L X M12 HOLES	
18	4	0147132203	HEX. HEAD SCREW M8 X 16	
19	4	0301233500	PLAIN WASHER	
20	1	0686371601	PLUG 1/4 AA	
30	1	0653106200	GASKET 13 X 20 X 1.5	
40	1	0663713800	O-RING 69.5X3	
50	2	0211110202	SCREW: M10X30,HEX SOC,GRD 10.9	
80	3	1604179101	CLAMP	
90	1	1604133901	MIN. PRESSURE VALVE	
100	1	1604172901	ADAPTER	
110	2	1604179201	CLAMP	
120	1	0653129300	GASKET 60 X 68 X 2.5	
130	1	1310732100	MANIFOLD:AIR OUTLET S2LP	
140	13	1615566400	HEX. HEAD SCREW	
150	2	0852001098	VALVE-BALL:R .750,NKL PLT,BRS	
155	1	0623210009	BACKNUT	
160	1	0852001028	BALL VALVE	
165	1	0603415021	NIPPLE-HEX:ISO 7-R2.00X2.00NPT	
170	6	0266210800	NUT M6	
180	2	1310075832	ISOLATOR:MEGI CONE 60SH 8MM	
190	6	0301232100	WASHER M6	
200	1	0147124703	HEX. BOLT M6X20X8.8	
210	3	0147132903	HEX. HEAD SCREW	
220	3	1626537600	WASHER-FLAT:FENDER 3/8"X1-1/4"	
240	1	1310075832	ISOLATOR:MEGI CONE 60SH 8MM	
295	1	1310073095	VALVE:SAFETY 261PSI S2LP	
350	1	0603415056	ADAPTER:G 1.5MALE X 1.25NPTM	
360	1	1310030976	ELBOW	
370	1	0603420031	HEX NIPPLE:G 2 MALEXG 1.5 MALE	
380	1	1626211701	PIPE:SAFETY VALVE BLOWOFF S2LP	
390	2	1310136500	PIPE COUPLING	
450	1	1310174681	VESSEL ASSY:S2LP REMOTE	
460	1	0686925275	PLUG	
465	1	1626105283	VALVE:REGULATING XAS 1800	
480	4	1310697050	EYEBOLT- NUT&SHLDR:1"IDX2"NECK	
490	4	0300027623	PLAIN WASHER	
500	4	0333217422	WASHER-LOCK:M14,SPLIT,\$STL,ZN	

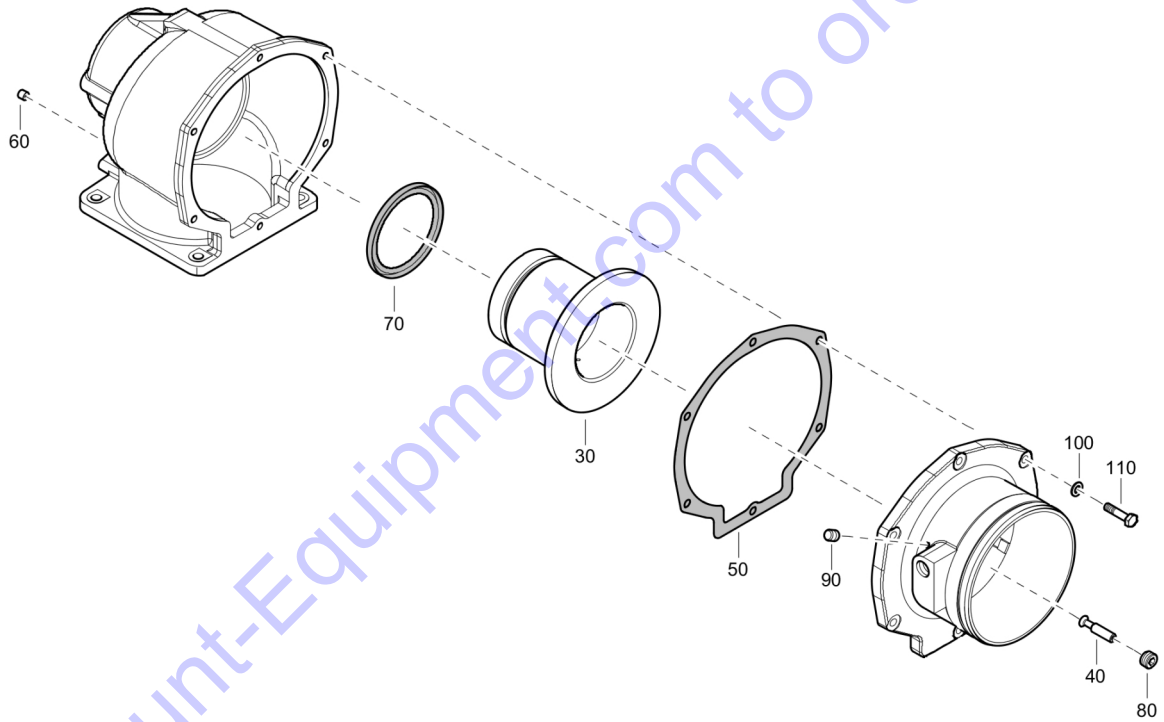
Not Illustrated			
Ref	Part Number	Designation	Qty
480	1310 9237 00	Bracket	1
490	1310 9237 50	Diff pressure gauge	1
510	1310 2024 00	Pipe	1
520	1310 9237 60	Hose assly	1
530	1310 9237 51	Hose assly	1
540	1310 9237 53	Fitting	2
550	1310 0753 15	label	1



Id	Qty	Number	Name	Specifications
10	1	1310179700	PIPE:VESSEL	
20	1	1310179520	Pipe	
30	1	1310179610	PIPE:VESSEL	
40	1	1310424600	STRAP:GROUND	
50	4	0147132203	HEX. HEAD SCREW M8 X 16	
60	4	0301233500	PLAIN WASHER	
70	1	0686371601	PLUG 1/4 AA	
80	1	0653106200	GASKET 13 X 20 X 1.5	
90	1	0663713800	O-RING 69.5X3	
100	2	0246124002	STUD:M10 X 50	
110	2	0333323200	LOCK WASHER	
120	2	0301234400	PLAIN WASHER M10	
130	2	0266211100	HEXAGON NUT M10	
140	3	1604179101	CLAMP	
150	1	1604172901	ADAPTER	
160	2	1604179201	CLAMP	
170	1	0653129300	GASKET 60 X 68 X 2.5	
180	1	1626035505	Manifold	
190	5	1615566400	HEX. HEAD SCREW	
200	2	0852001098	VALVE-BALL:R .750,NKL PLT,BRS	
210	1	0623210009	BACKNUT	
220	1	0852001028	BALL VALVE	
230	1	0603415021	NIPPLE-HEX:ISO 7-R2.00X2.00NPT	
240	4	0266210800	NUT M6	
250	2	1604211600	ANTI-VIBRATION PAD	
260	4	0301232100	WASHER M6	
270	4	0147124703	HEX. BOLT M6X20X8.8	
280	2	0147132903	HEX. HEAD SCREW	
290	2	1626537600	WASHER-FLAT:FENDER 3/8"X1-1/4"	
300	2	0266210800	NUT M6	
310	1	1604211600	ANTI-VIBRATION PAD	
320	2	0301232100	WASHER M6	
330	2	0147124703	HEX. BOLT M6X20X8.8	
340	1	0147132903	HEX. HEAD SCREW	
350	1	1626537600	WASHER-FLAT:FENDER 3/8"X1-1/4"	
360	4	1615566400	HEX. HEAD SCREW	
370	1	1615566400	HEX. HEAD SCREW	
380	2	1615566400	HEX. HEAD SCREW	
390	1	0661100030	SEAL WASHER	
400	1	1310074646	SAFETY VALVE:	
410	1	0603415056	ADAPTER:G 1.5MALE X 1.25NPTM	
420	1	0560100904	ELBOW	
430	1	0603420031	HEX NIPPLE:G 2 MALEXG 1.5 MALE	
440	1	1626211701	PIPE:SAFETY VALVE BLOWOFF S2LP	
450	1	1310174681	VESSEL ASSY:S2LP REMOTE	
460	1	0686925275	PLUG	
470	1	1626105283	VALVE:REGULATING XAS 1800	

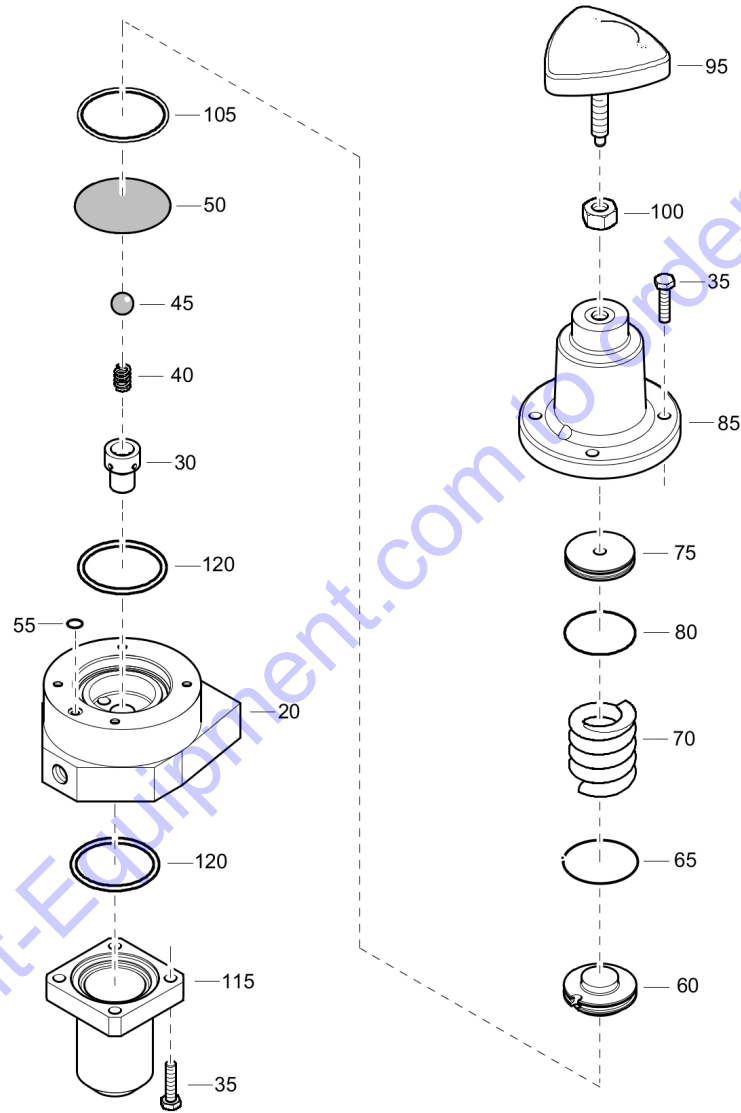
Id	Qty	Number	Name	Specifications
480	1	1310923700	Bracket	
490	1	1310923750	Diff. pressure gauge	
500	3	0211117303	HEX SOCK. SCREW: M4X16	
510	1	1310202400	Pipe	
520	1	1310923760	Hose assly	
530	1	1310923751	Hose assly	
540	2	1310923753	Fitting	
550	1	1310075315	Lst stickers	

Go to Discount-Equipment.com to order your parts



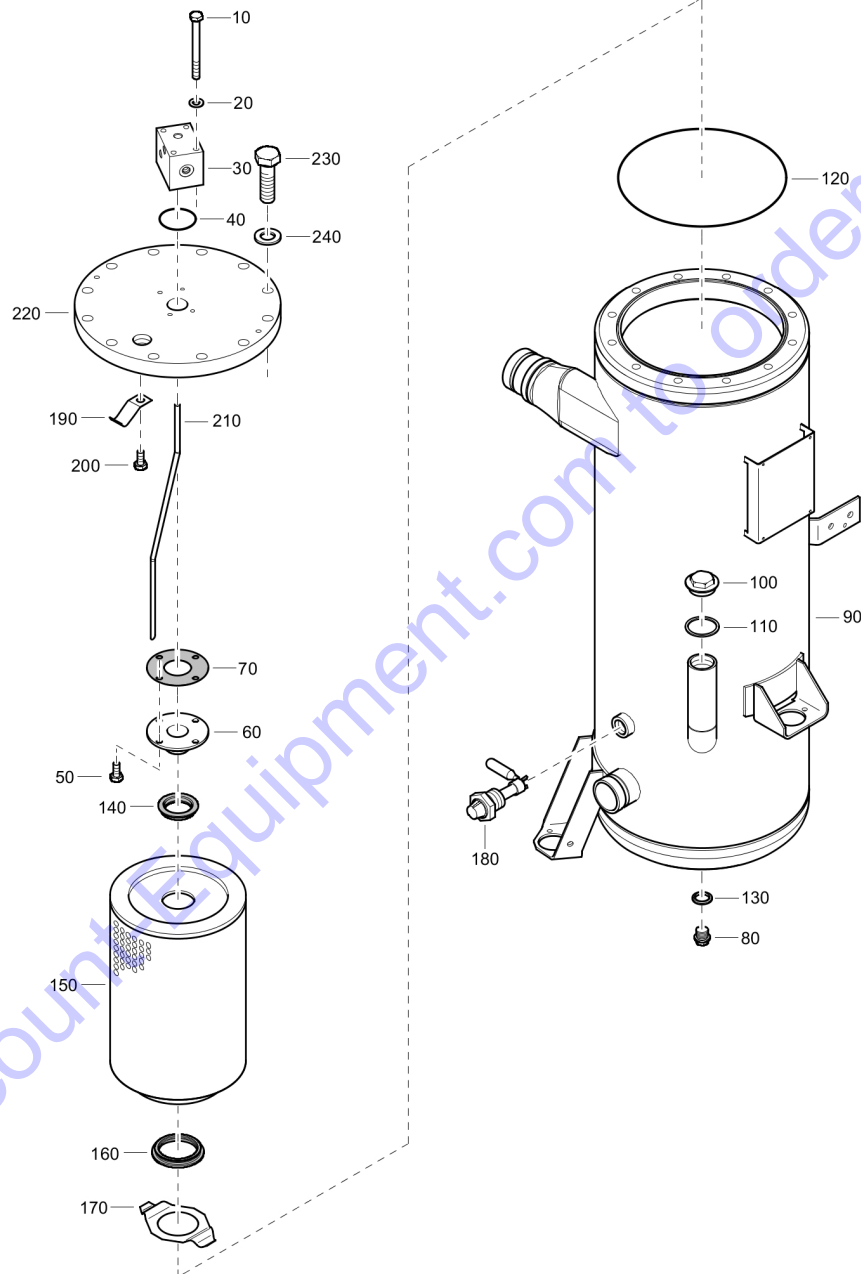
Id	Qty	Number	Name	Specifications
30	1	1626218900	PISTON	
40	1	1604620500	VALVE	
50	1	1626469100	GASKET	
60	1	1626238000	NOZZLE	
70	1	1626237100	SEAL	
80	1	1613291300	PLUG	
90	1	0686260600	M6 THREAD PLUG	
100	6	0301233500	PLAIN WASHER	
110	6	0147132703	HEX. HEAD SCREW	

Go to Discount-Equipment.com to order your parts

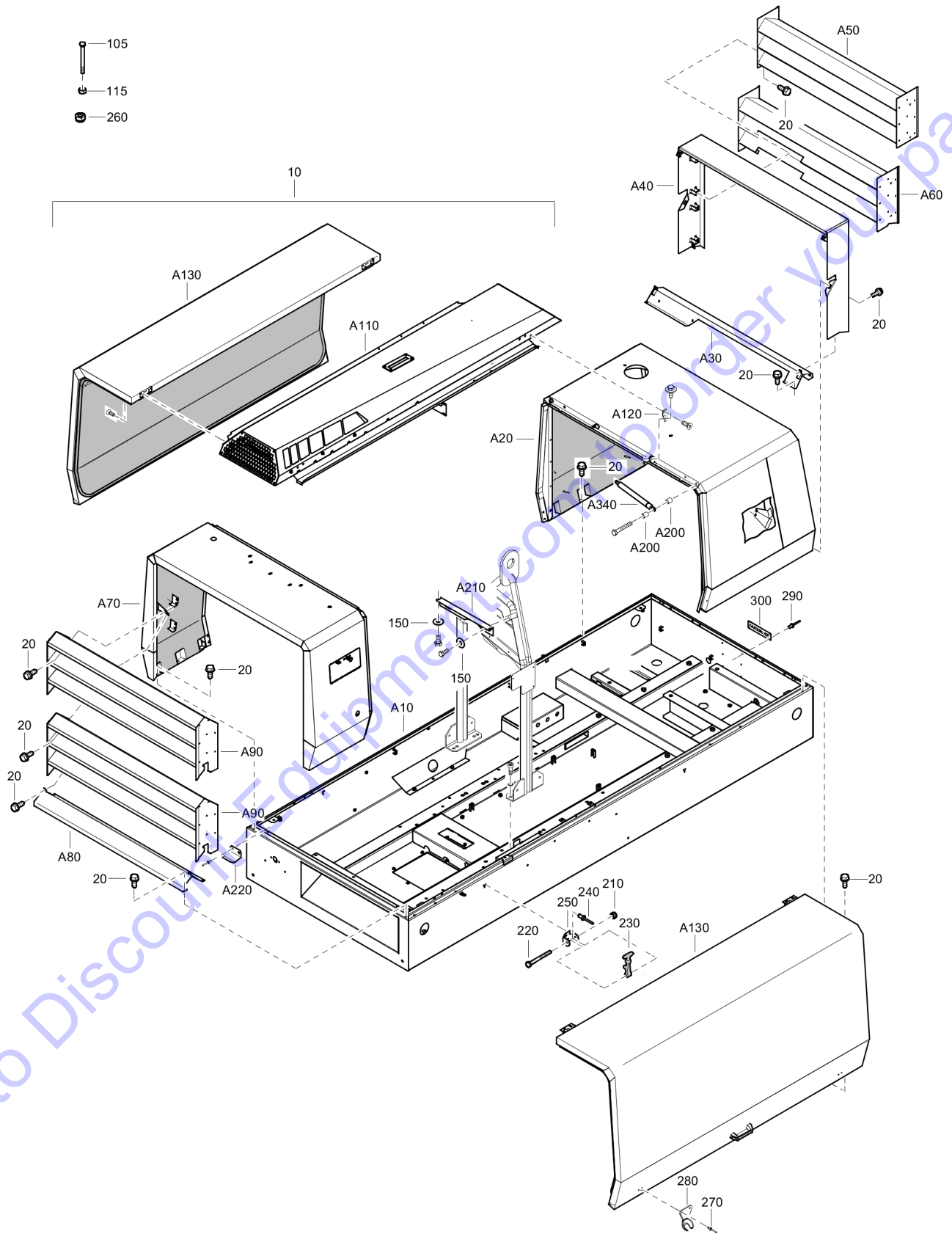


Id	Qty	Number	Name	Specifications
20	1	1626105100	HOUSING VALVE	
30	1	2252405700	CAGE	
35	8	0147124903	HEX. BOLT M6X25X8.8	
40	1	2252419700	SPRING	
45	1	0517142000	BEARING BALL	
50	1	1604707600	MEMBRANE	
55	1	0663611200	O-RING 5.1 X 1.6	
60	1	2252405800	SPRING GUIDE	
65	1	0663313200	O-RING 36,2 X 3	
70	1	2255028400	COMPR.SPRING	
75	1	2252405900	SPRING SEAT	
80	1	0663313100	O-RING	
85	1	1626105200	COVER VALVE	
95	1	1604428900	SCREW	
100	1	0268413822	HEXAGON NUT	
105	1	0663213500	O-RING	
115	1	1626105300	HOUSING FILTER	
120	2	0663210561	O-ring	

Go to Discount-Equipment.com to order your parts

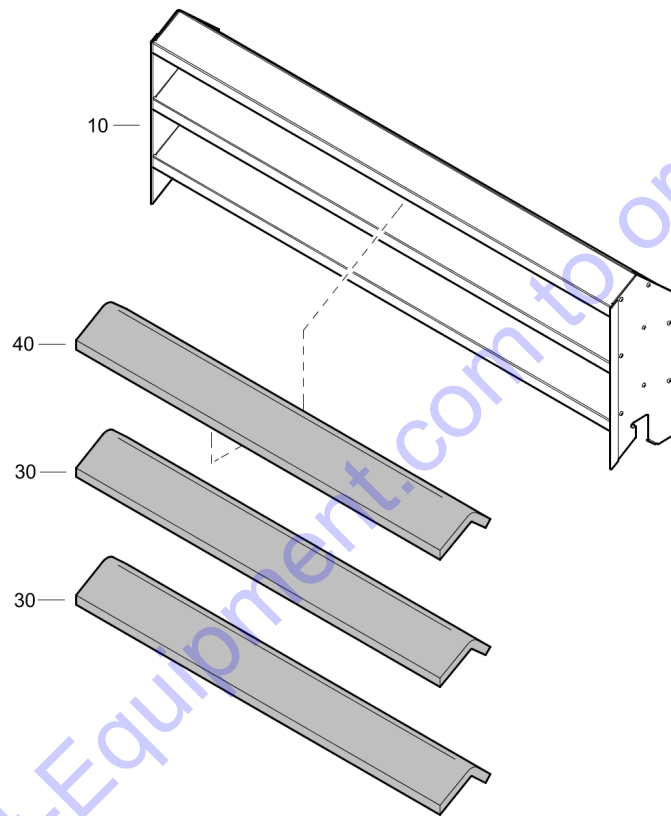


Id	Qty	Number	Name	Specifications
10	4	0147133603	SCREW	
20	4	0301233500	PLAIN WASHER	
30	1	1604259404	ADAPTER	
40	1	0663313400	O-RING	
50	4	0147132203	HEX. HEAD SCREW M8 X 16	
60	1	1604575700	ADAPTER	
70	1	1604574600	GASKET	
80	1	0686371602	PLUG G 1/2	
90	1	1310174600	Vessel	
100	1	2250252800	PLUG SCREW	
110	1	0653122700	GASKET 42 X 49 X 2	
120	1	0663210979	O-RING	
130	1	0661100027	SEAL GASKET	
140	1	1604038302	SEAL	
150	1		Fuel tank breather filter element	
160	1	1604132903	Seal	
170	1	1604133001	RETAINER	
180	1	1616510800	LEVEL GAUGE	
190	1	1604574500	RETAINER	
200	1	0147132203	HEX. HEAD SCREW M8 X 16	
210	1	1604259103	TUBE	
220	1	1310198200	PLATE, VESSEL COVER S2LP	
230	12	0147148003	SCREW:M16 X 55 HHCS \$STL 8.8	
240	12	0301237800	PLAIN WASHER(A) 17 X 30 X 3	



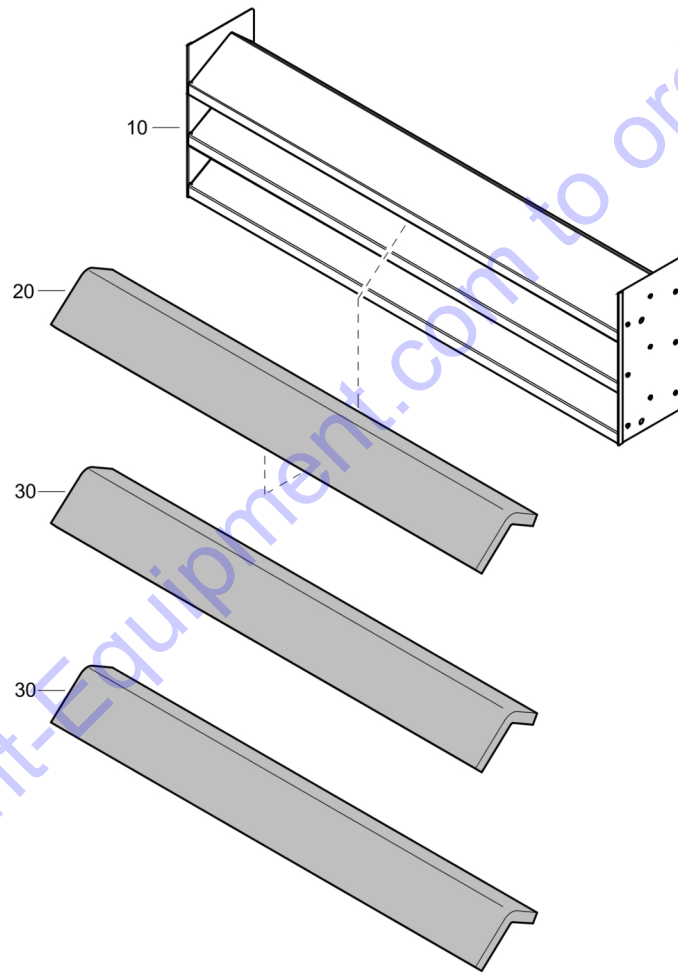
Id	Qty	Number	Name	Specifications
10	1	1310078825	Canopy set	
20	42	1619276600	SCR.BOLT M8X20	
105	1	1310072496	SCREW: #6-32X .50L PHL PH \$STL	
115	1	0263310410	NUT:#6-32 HEX \$STL ZPL	
150	4	0300801900	WASHER M8	
210	4	0291110700	NUT	
220	4	0147121403	HEXAGON BOLT	
230	4	1626617100	CATCH	
240	12	0129317400	BLIND RIVET	
250	4	1619298001	BASE PLATE	
260	4	0291111000	LOCK NUT M8	
270	8	0129317400	BLIND RIVET	
280	4	1615860500	STIRRUP	
290	4	0129317400	BLIND RIVET	
300	1	1310073983	PLATE:CAUTION HOT S2LP	

Go to Discount-Equipment.com to order your parts



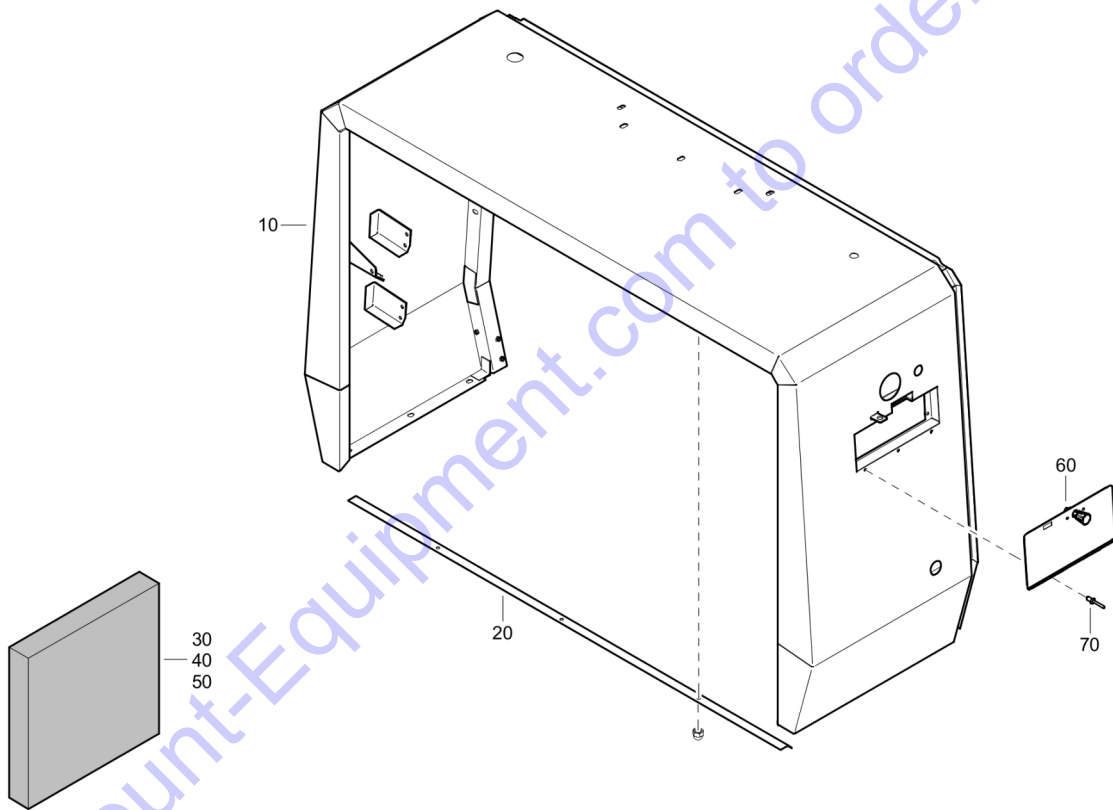
Id	Qty	Number	Name	Specifications
10	2	1310629901	BAFFLE-REAR EXTEN XAS750T3/T4	
30	4		Insulation foam	
40	2		Espuma	

Go to Discount-Equipment.com to order your parts



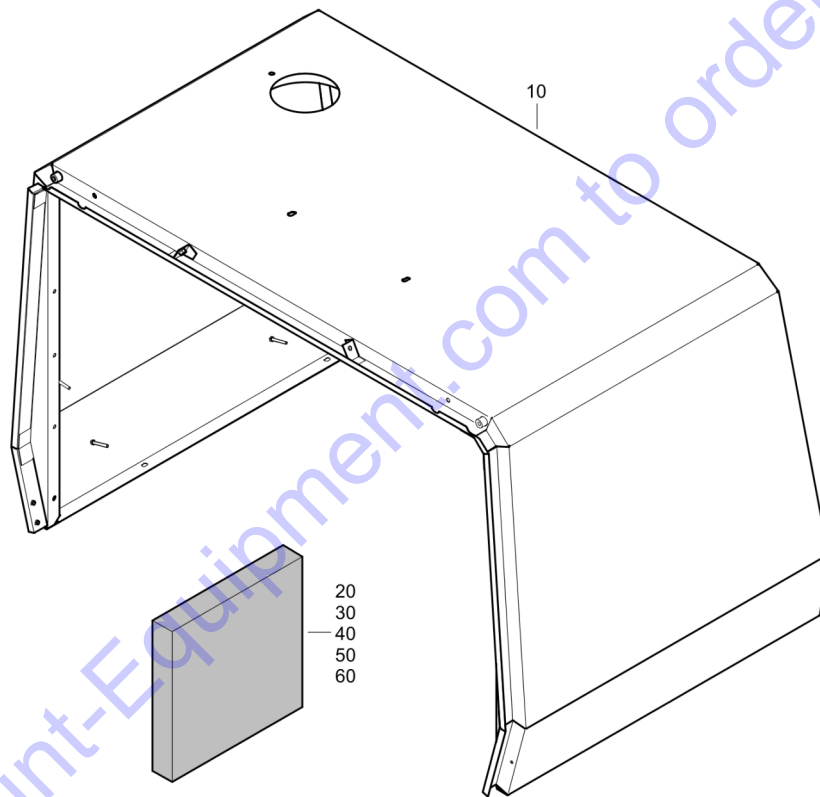
Id	Qty	Number	Name	Specifications
10	1	1310633552	BAFFLE:FRONT UPPER S2LP T4F	
20	1	1310633575	FOAM:INSULATION XAS75T3/T4	
30	1	1310633576	Foam:insulation xas750 ft4	

Go to Discount-Equipment.com to order your parts



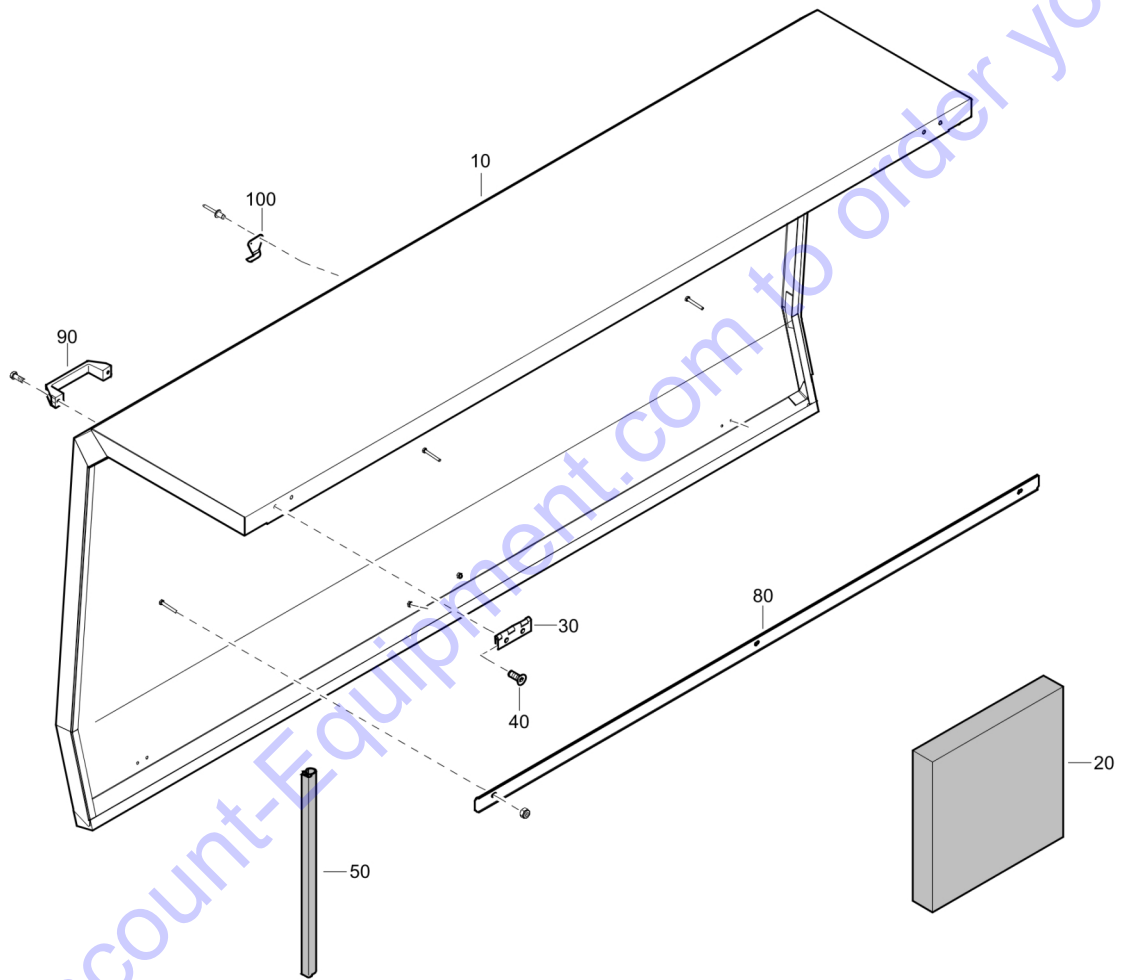
Id	Qty	Number	Name	Specifications
10	1	1310133500	Rear panel	
20	2	1310610920	PROFILE:REAR PANEL	
30	1		Insulation	
40	1		Insulation	
50	1		Insulation	
60	1	1310136480	DOOR ASY:CTRL PANEL XAS400 PE	
70	3	0129317201	RIVET	

Go to Discount-Equipment.com to order your parts



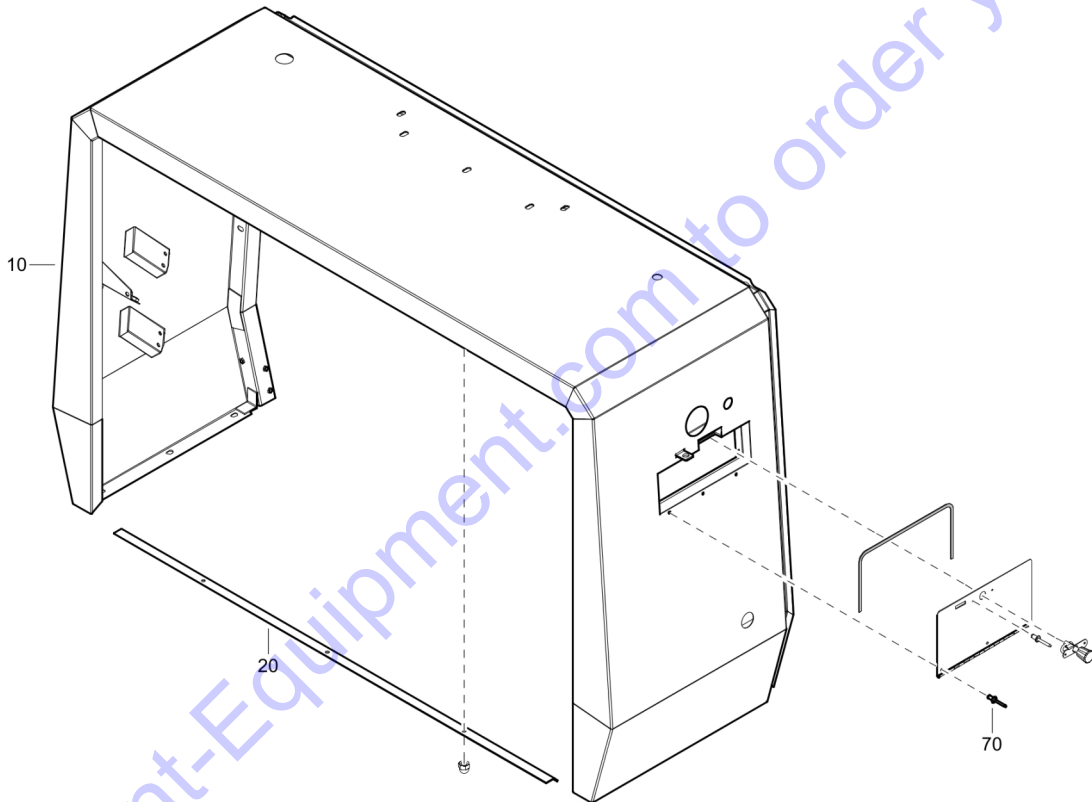
Id	Qty	Number	Name	Specifications
10	1	1310133400	FRONT PANEL	
20	1		Insulation	
30	1		Insulation	
40	1		Insulation	
50	1		Insulation	
60	1		Insulation	

Go to Discount-Equipment.com to order your parts



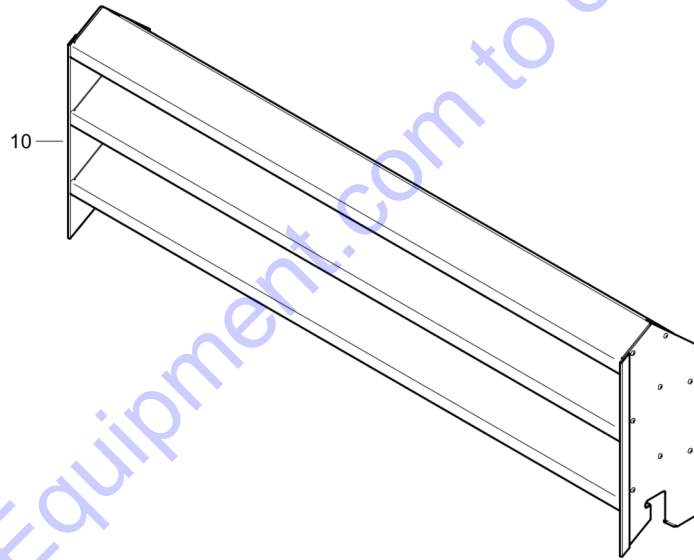
Id	Qty	Number	Name	Specifications
10	1	1310611200	PANEL:DOOR S2LP	
20	1	1310611271	FOAM ADHESIVE 204X82,5X50	
30	2	1615771200	Hinge	
40	4	0216132403	HEX. CSUNK SCREW	
50		1604431700	SEAL	
80	4	1310600124	BRACKET:DOOR STRIP S2LP-T3-T4	
90	1	1202867300	HANDGRIP	
100	2	1615860500	STIRRUP	

Go to Discount-Equipment.com to order your parts



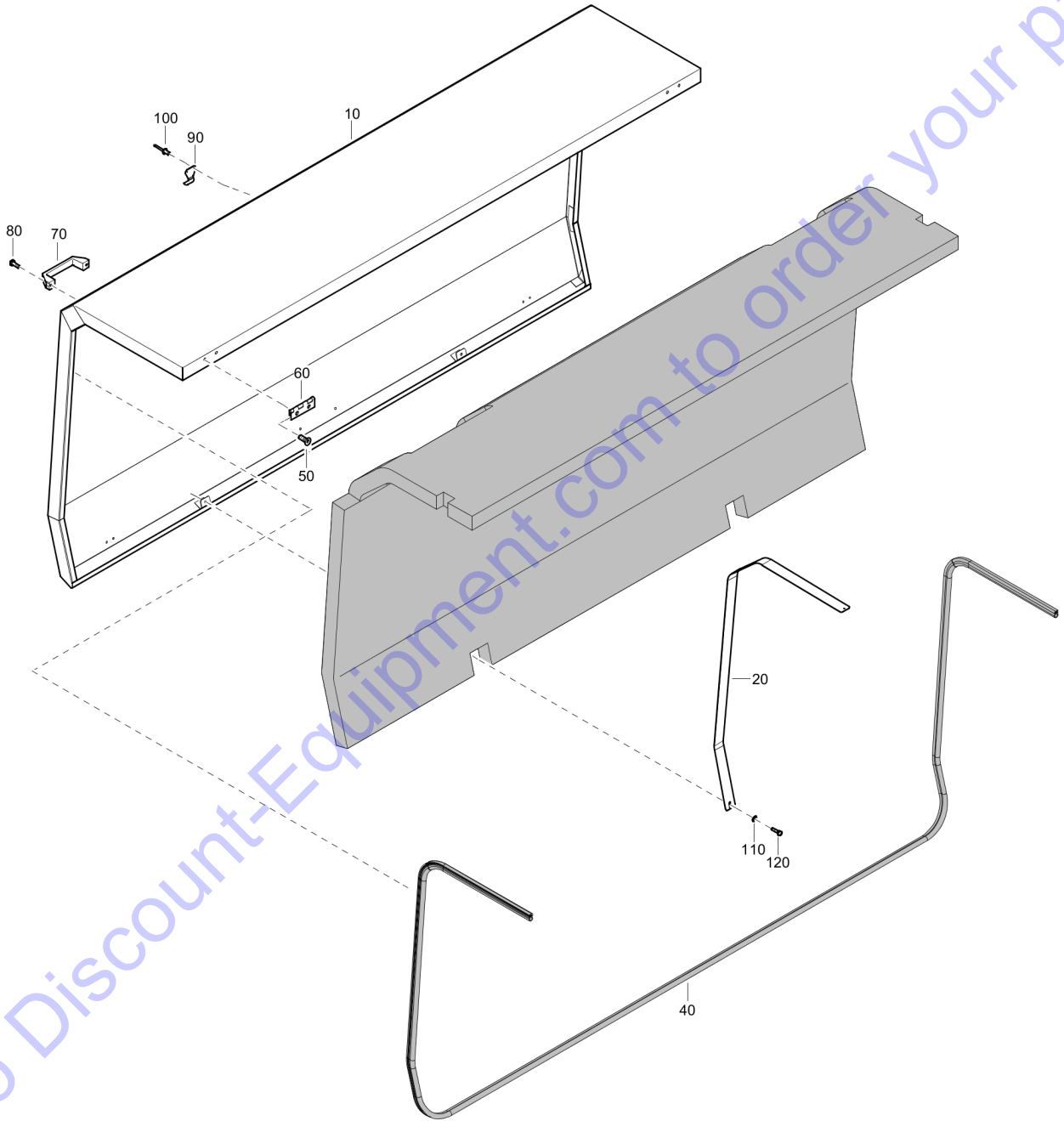
Id	Qty	Number	Name	Specifications
10	1	1310133500	Rear panel	
20	2	1310610925	PROFILE: REAR PANEL	
70	3	0129317201	RIVET	

Go to Discount-Equipment.com to order your parts



Id	Qty	Number	Name	Specifications
10	2	1310629901	BAFFLE-REAR EXTEN XAS750T3/T4	

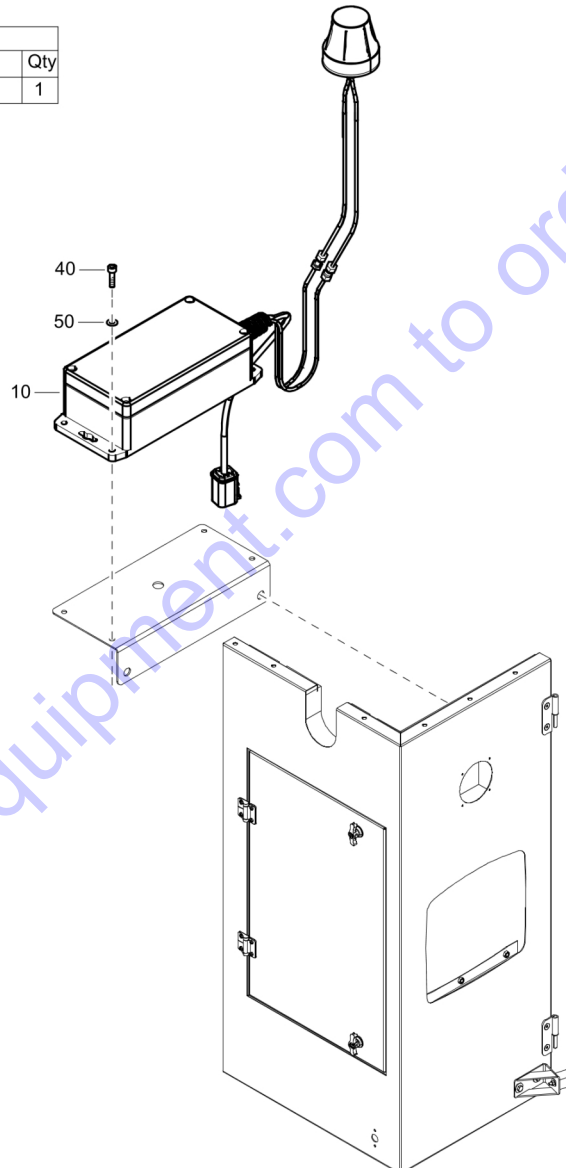
Go to Discount-Equipment.com to order your parts



Id	Qty	Number	Name	Specifications
10	2	1310611201	PANEL:DOOR S2LP	
20	4	1310742000	Strap	
40		1604431700	SEAL	
50	8	0216132403	HEX. CSUNK SCREW	
60	4	1615771200	Hinge	
70	2	1202867300	HANDGRIP	
80	4	0147124603	HEX. BOLT M6X16X8.8	
90	4	1615860500	STIRRUP	
100	20	1310032787	RIVET-POP: .187DX.375L(.126/.25	
110	2	0301231800	PLAIN WASHER	
120	2	0147120703	HEX. BOLT M5X16X8.8	

Go to Discount-Equipment.com to order your parts

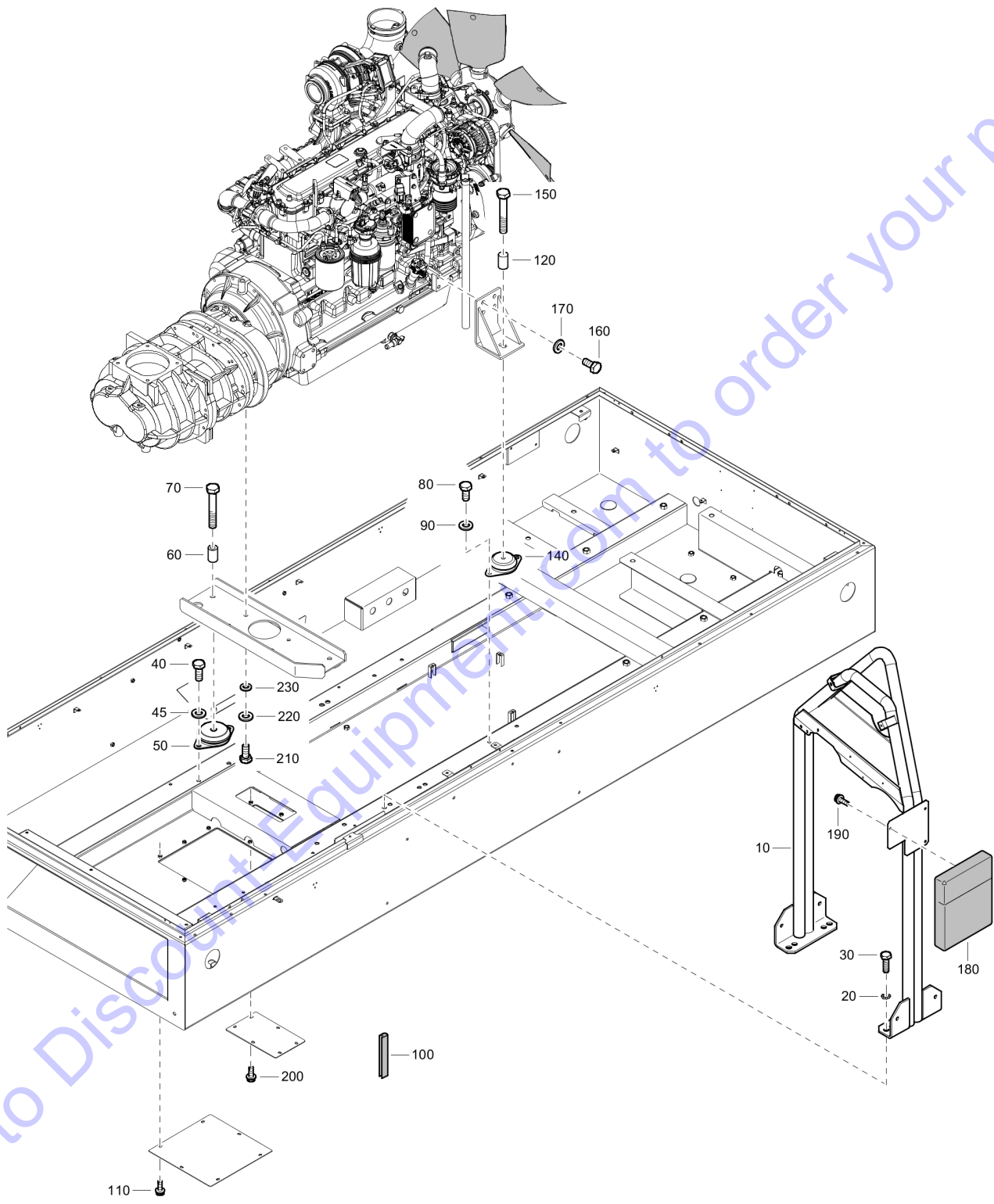
Not Illustrated			
Ref	Part Number	Designation	Qty
20	1310 2194 01	Wire harness	1



Go to Discount-Equipment.com to order your parts

Id	Qty	Number	Name	Specifications
10	1	1638750001	MODULE	
20	1	1310219401	WIRE HARNESS:FLEETLINK JUMPER	
40	4	0147120703	HEX. BOLT M5X16X8.8	
50	4	0301232100	WASHER M6	

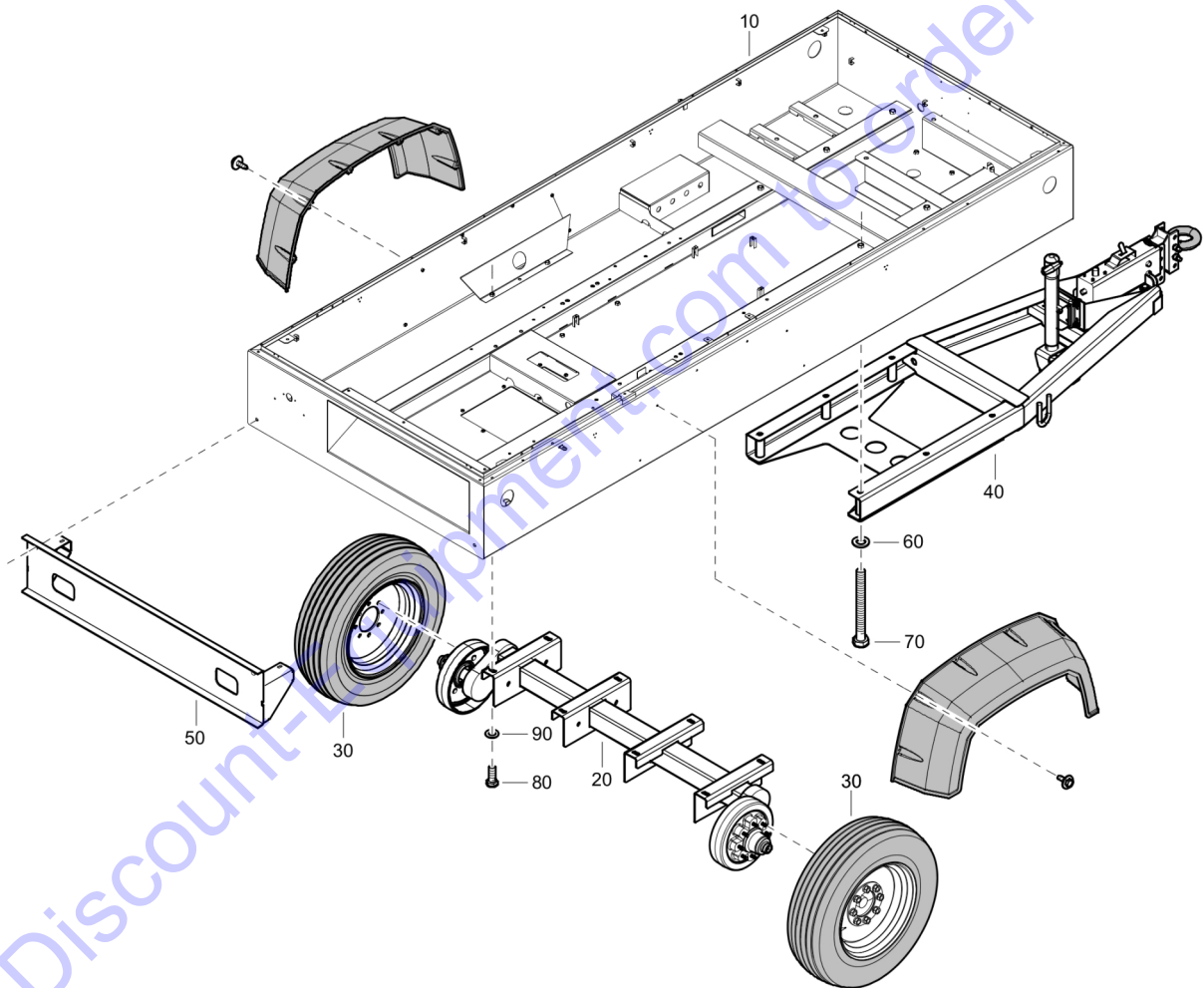
Go to Discount-Equipment.com to order your parts



Go to DiscountEquipment.com to order your parts

Id	Qty	Number	Name	Specifications
10	1	1310607603	LIFTING EYE:XAS 750	
20	8	3315019510	LOCK WASHER	
30	8	0147147903	HEX. HEAD SCREW	
40	4	0147140103	SCREW DIN933 M12X30 8.8 ZN	
45	4	0333520009	LOCK WASHER	
50	2	1310075814	ISOLATOR:RA500A/M16 40SH	
60	2	1626201101	BUSHING	
70	2	0147148903	HEX. HEAD SCREW	
80	4	0147140015	Hex. head screw	
90	4	0333520009	LOCK WASHER	
100		1503105600	SEAL	
110	2	1619276600	SCR.BOLT M8X20	
120	2	1626201101	BUSHING	
140	2	1310075825	ISOLATOR:RAEM350/M16 60SH	
150	2	0147148903	HEX. HEAD SCREW	
160	4	0147140015	Hex. head screw	
170	4	0333520009	LOCK WASHER	
180	1	1310035639	HOLDER-DOCUMENT:QAS 58-138JD	
190	6	1619589801	HEX. HEAD SCREW	
200	4	1619276600	SCR.BOLT M8X20	
210	6	0147140015	Hex. head screw	
220	6	0333520009	LOCK WASHER	
230	6	0301232100	WASHER M6	

Go to Discount-Equipment.com to order your parts



Id	Qty	Number	Name	Specifications
10	1	1310127280	FRAME ASY:XA(T,V)S 750 FT4	
20	1	1310159701	AXLE ASY:XA(T)S 750 FT4	
30	2	1310030609	Tire assembly	
40	1	1310154080	TOWBAR ASY:XATS 750 FT4 HB	
50	1	1310164800	BUMPER:S2LP JD FT4	
60	6	0301237800	PLAIN WASHER(A) 17 X 30 X 3	
70	6	0147149503	SCREW:M16X150;HEX HD,ZN PLT,\$S	
80	12	0147140103	SCREW DIN933 M12X30 8.8 ZN	
90	12	0301235800	PLAIN WASHER	

Go to Discount-Equipment.com to order your parts

PARTS FINDER

**Search Website
by Part Number**



**Search Manual
Library For Parts
Manual & Lookup Part
Numbers – Purchase
or Request Quote**

Search Manuals

Enter your information to help us find the right parts manual for your machine.

* Brand:

* Model:

* Serial:

* Part Number:

SEARCH

**Can't Find Part or
Manual? Request Help
by Manufacturer,
Model & Description**

Parts Order Form

Please fill in the following information to help us find the right part for your machine.

Manufacturer:	<input type="text"/>
Model:	<input type="text"/>
Description:	<input type="text"/>
Part Number:	<input type="text"/>
Quantity:	<input type="text"/>
Notes:	<input type="text"/>

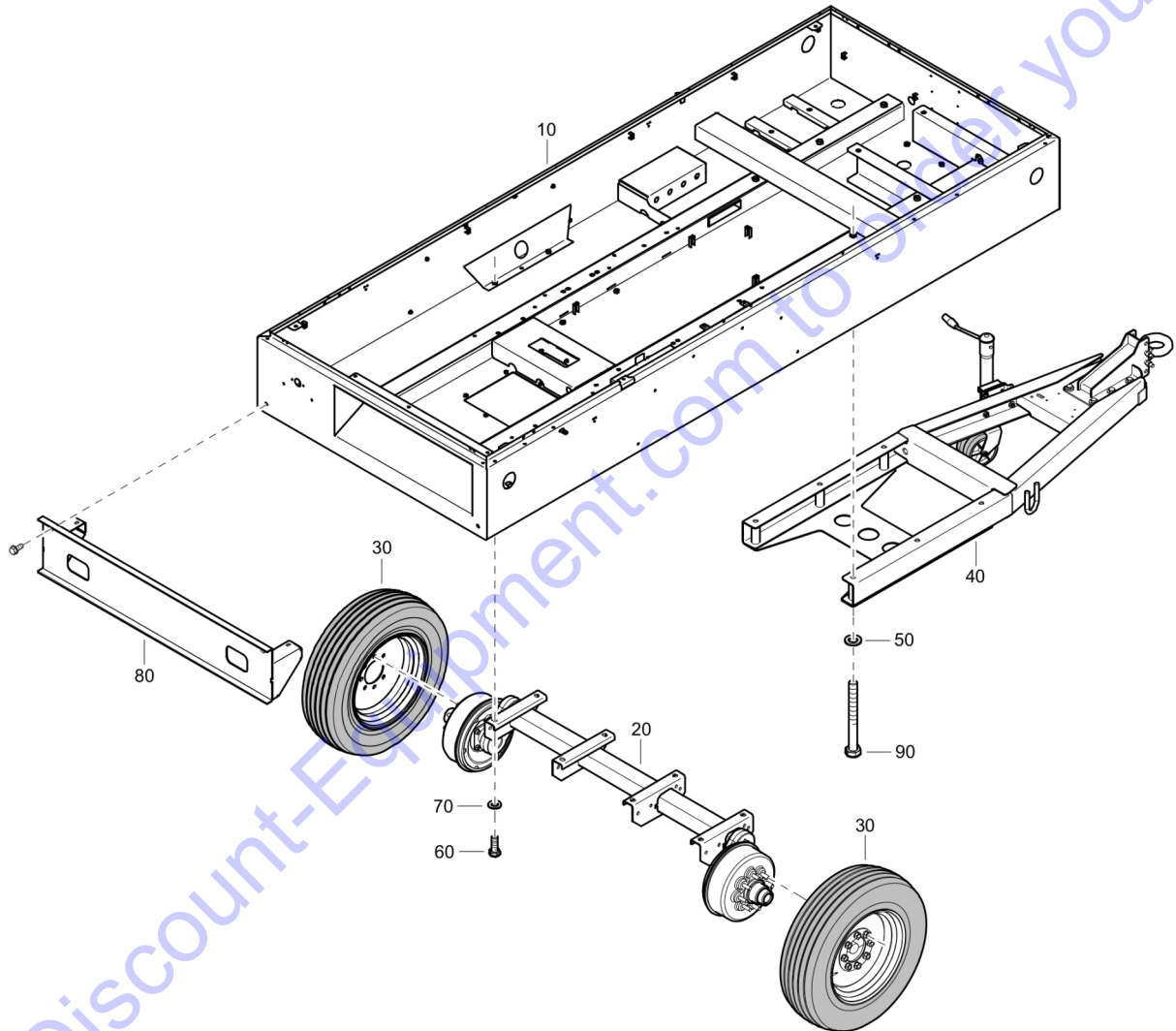
Discount-Equipment.com is your online resource for quality parts & equipment.

Florida: **561-964-4949** Outside Florida TOLL FREE: **877-690-3101**

Need parts?

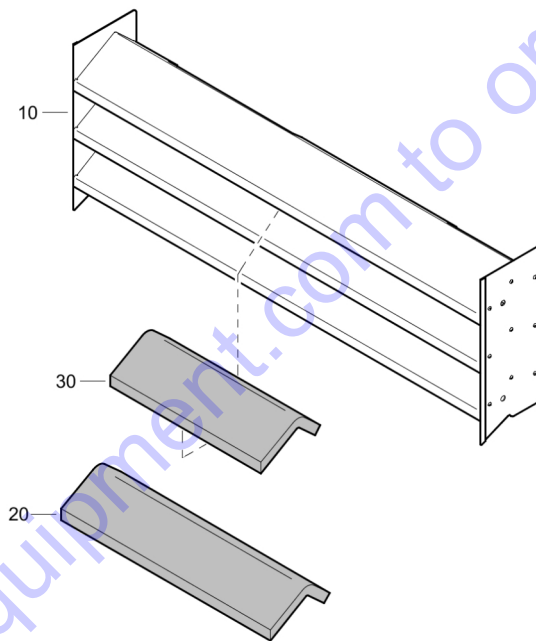
Click on this link: <http://www.discount-equipment.com/category/5443-parts/> and choose one of the options to help get the right parts and equipment you are looking for. Please have the machine model and serial number available in order to help us get you the correct parts. If you don't find the part on the website or on one of the online manuals, please fill out the request form and one of our experienced staff members will get back to you with a quote for the right part that your machine needs.

We sell worldwide for the brands: Genie, Terex, JLG, MultiQuip, Mikasa, Essick, Whiteman, Mayco, Toro Stone, Diamond Products, Generac Magnum, Airman, Haulotte, Barreto, Power Blanket, Nifty Lift, Atlas Copco, Chicago Pneumatic, Allmand, Miller Curber, Skyjack, Lull, Skytrak, Tsurumi, Husquvarna Target, Stow, Wacker, Sakai, Mi-T-M, Sullair, Basic, Dynapac, MBW, Weber, Bartell, Bennar Newman, Haulotte, Ditch Runner, Menegotti, Morrison, Contec, Buddy, Crown, Edco, Wyco, Bomag, Laymor, EZ Trench, Bil-Jax, F.S. Curtis, Gehl Pavers, Heli, Honda, ICS/PowerGrit, IHI, Partner, Imer, Clipper, MMD, Koshin, Rice, CH&E, General Equipment, Amida, Coleman, NAC, Gradall, Square Shooter, Kent, Stanley, Tamco, Toku, Hatz, Kohler, Robin, Wisconsin, Northrock, Oztec, Toker TK, Rol-Air, APT, Wylie, Ingersoll Rand / Doosan, Innovatech, Con X, Ammann, Mecalac, Makinex, Smith Surface Prep, Small Line, Wanco, Yanmar



Id	Qty	Number	Name	Specifications
10	1	1310127295	Frame assembly	
20	1	1310159710	AXLE ASY:XA(T)S 750 FT4 EB	
30	2	1310030961	TIRE ASY:HER	
40	1	1310154086	Towbar adjustable without brakes	
50	6	0301237800	PLAIN WASHER(A) 17 X 30 X 3	
60	12	0147140103	SCREW DIN933 M12X30 8.8 ZN	
70	12	0301235800	PLAIN WASHER	
80	1	1310164895	BUMPER:S2LP JD FT4 CP BLACK	
90	6	0147149503	SCREW:M16X150;HEX HD,ZN PLT,\$S	

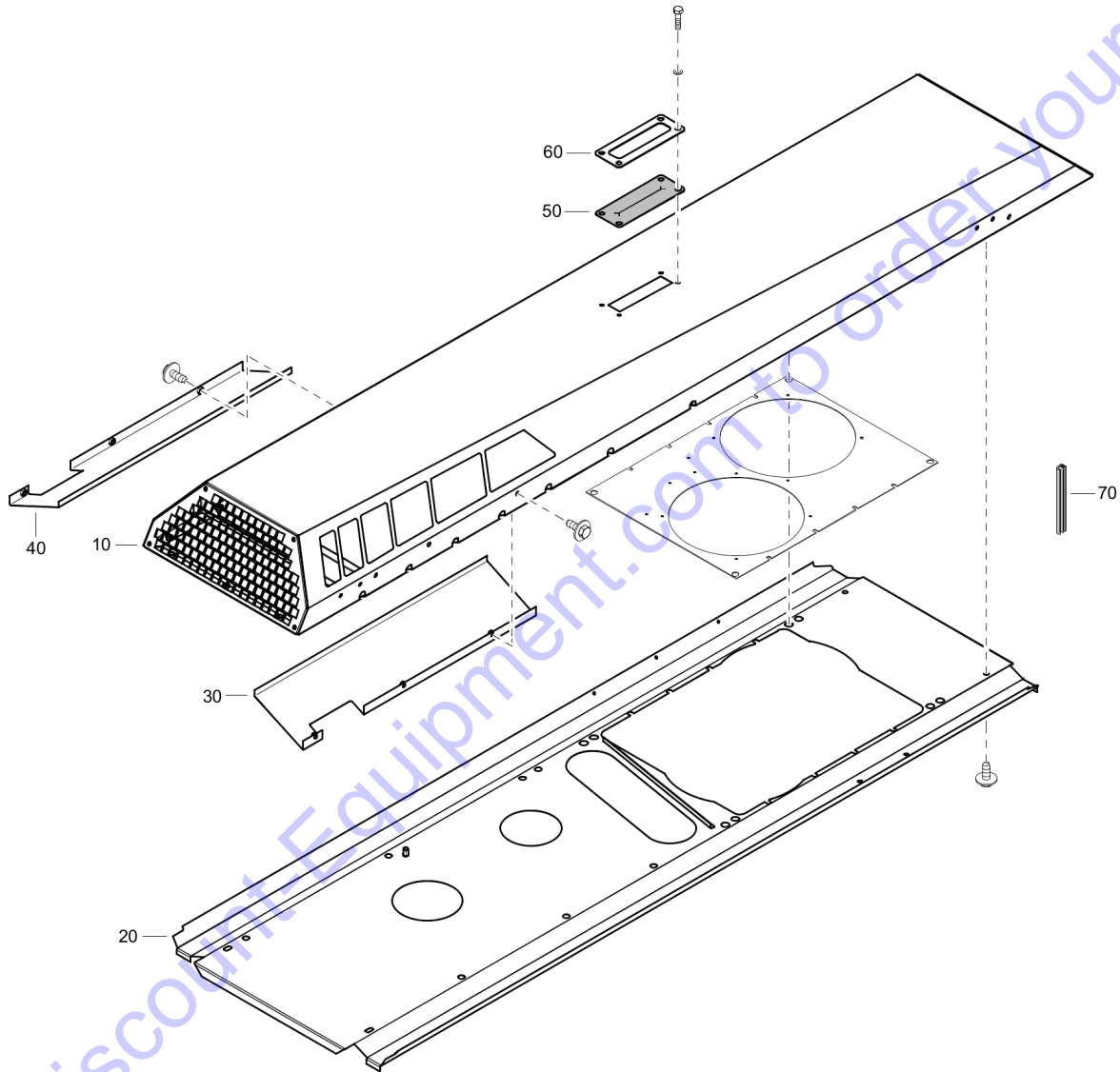
Go to Discount-Equipment.com to order your parts



Go to Discount-Equipment.com to order your parts

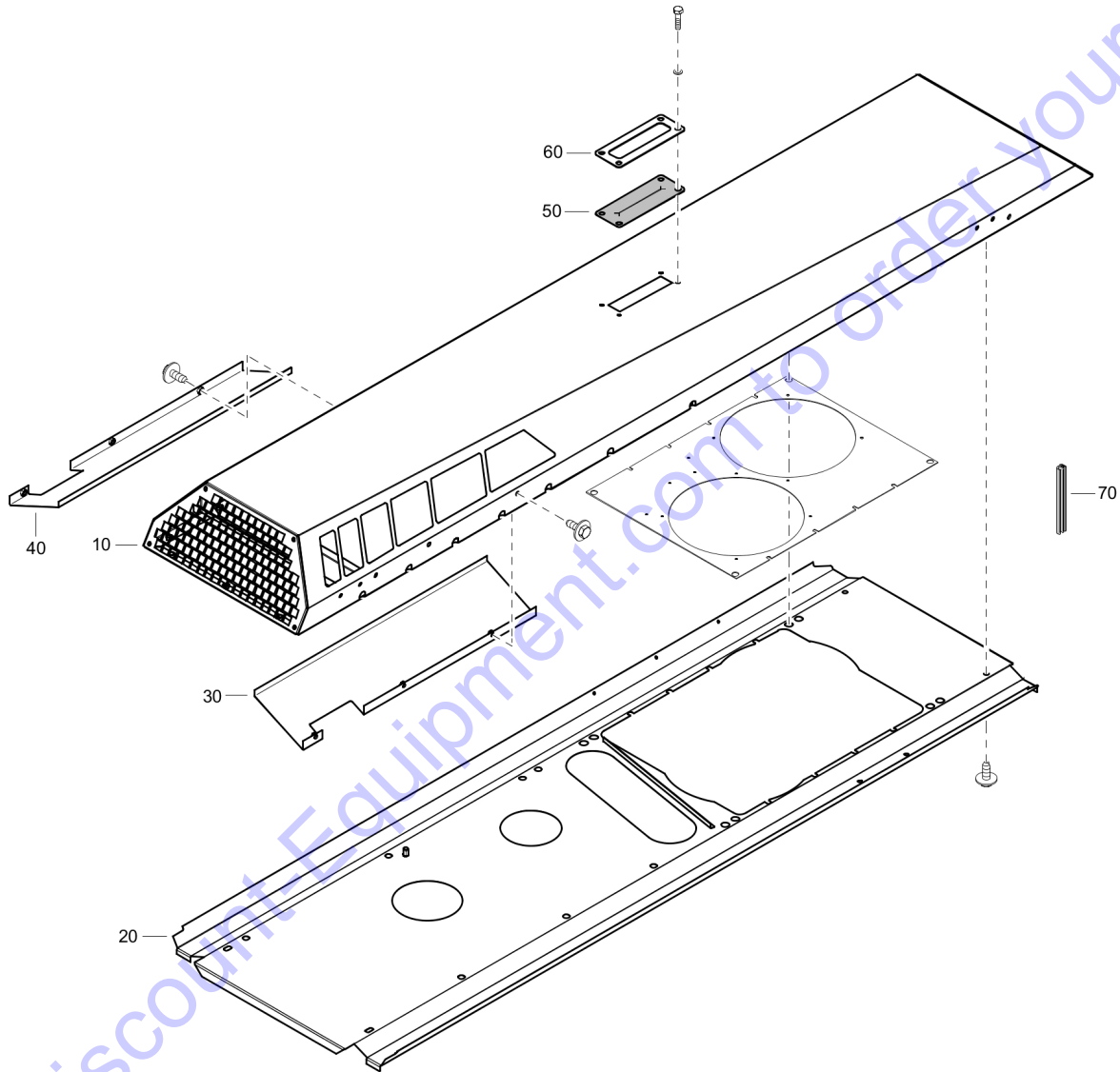
Id	Qty	Number	Name	Specifications
10	1	1310633602	LOUVER ASY:FRNT XAS750T4F	
20	1	1310633676	Foam	
30	1	1310633677	Foam	

Go to Discount-Equipment.com to order your parts



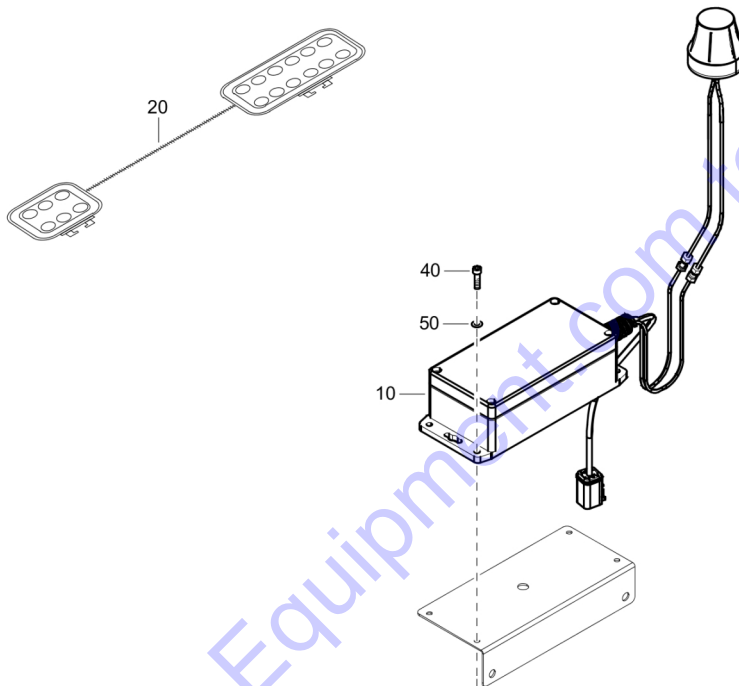
Id	Qty	Number	Name	Specifications
10	1	1310611001	ROOF:XAS S2LP FT4	
20	1	1310611801	ROOF:BOTTOM	
30	1	1310611900	PLATE:BAFFLE RIGHT S2LP	
40	1	1310612000	PLATE:BAFFLE LEFT S2LP	
50	1	1310074815	GASKET:	
60	1	1310074816	PLATE:LIFTIN	
70		1619266500	SEAL LIP	

Go to Discount-Equipment.com to order your parts



Id	Qty	Number	Name	Specifications
10	1	1310611001	ROOF:XAS S2LP FT4	
20	1	1310611801	ROOF:BOTTOM	
30	1	1310611900	PLATE:BAFFLE RIGHT S2LP	
40	1	1310612000	PLATE:BAFFLE LEFT S2LP	
50	1	1310074815	GASKET:	
60	1	1310074816	PLATE:LIFTIN	
70		1619266500	SEAL LIP	

Go to Discount-Equipment.com to order your parts

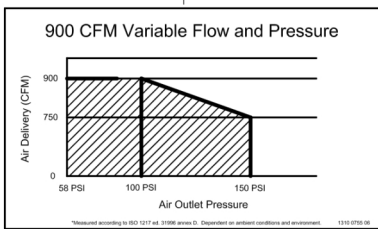


Go to Discount-Equipment.com to order your parts

Id	Qty	Number	Name	Specifications
10	1	1638750001	MODULE	
20	1	1310219401	WIRE HARNESS:FLEETLINK JUMPER	
40	4	0147120703	HEX. BOLT M5X16X8.8	
50	4	0301232100	WASHER M6	

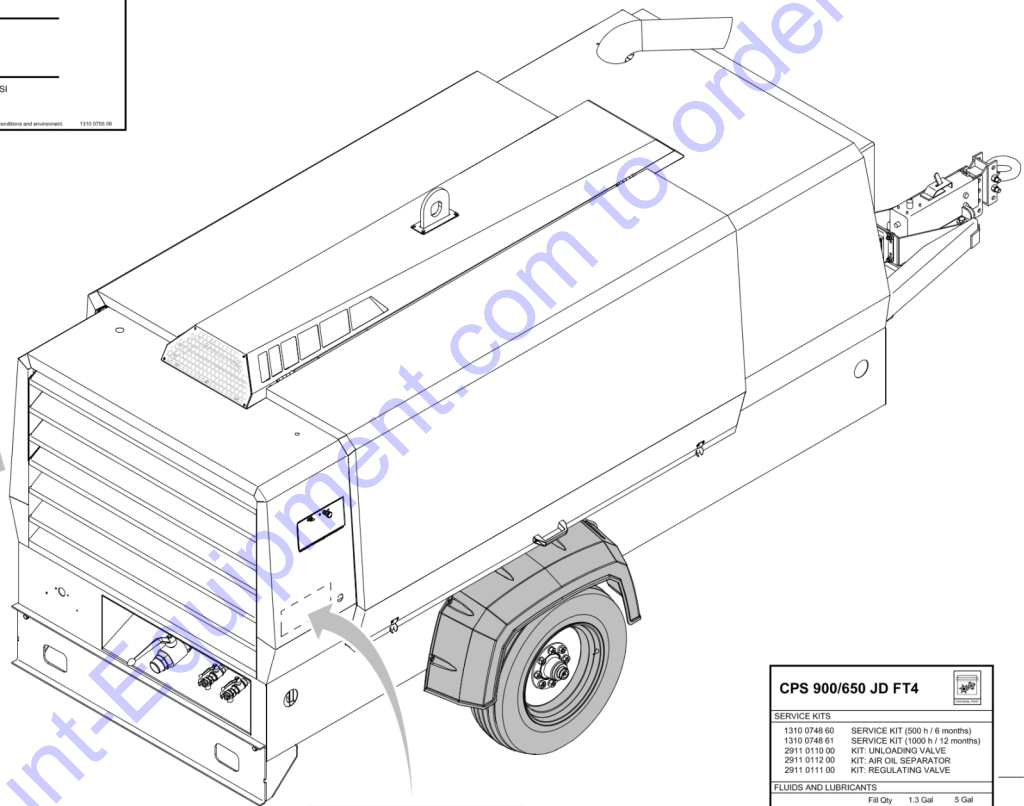
Go to Discount-Equipment.com to order your parts

40



CPS900-100
JD8

15



CPS900-100
JD8

15

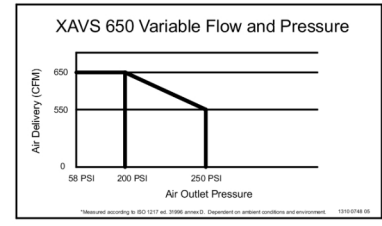
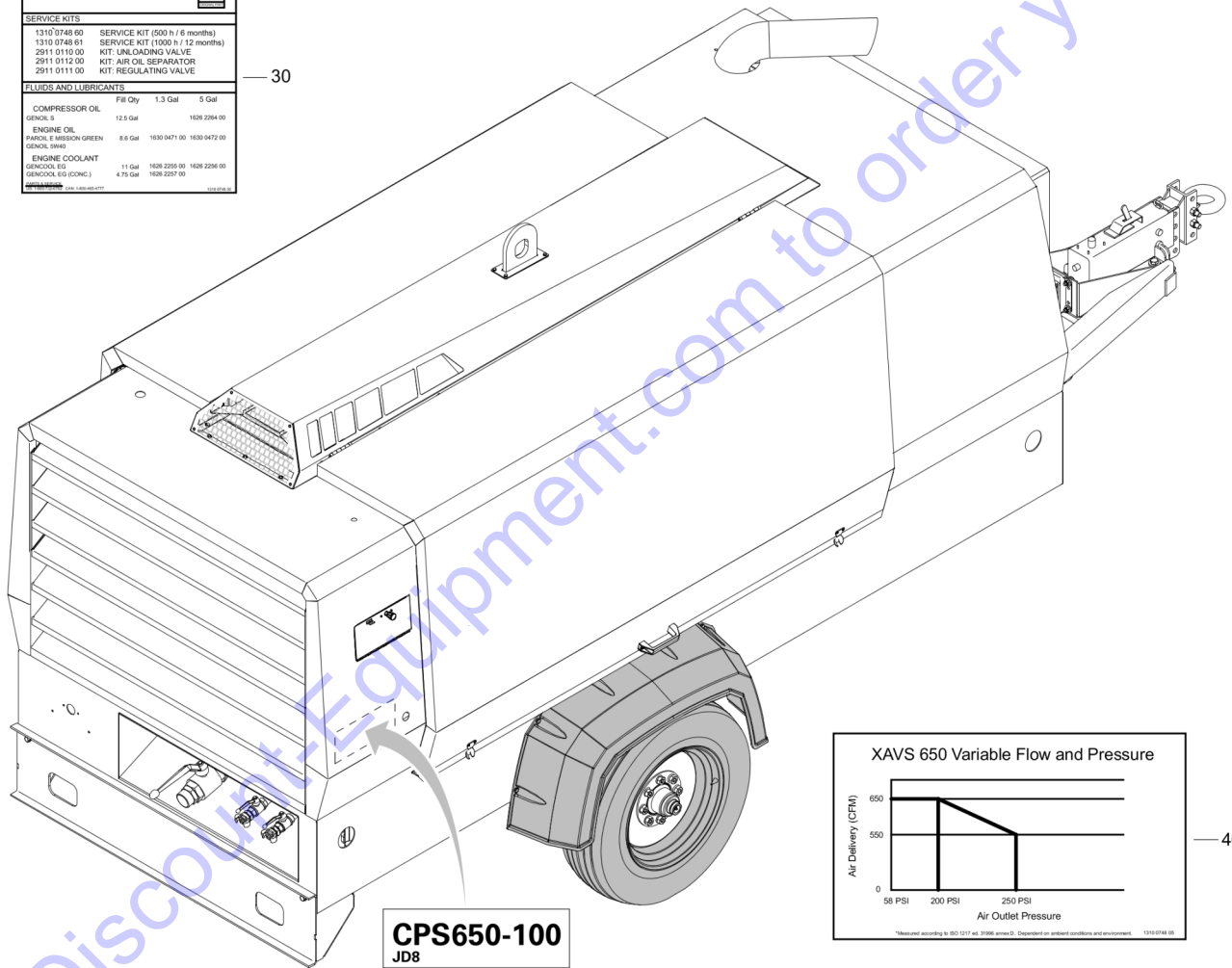
CPS 900/650 JD FT4	
SERVICE KITS	
1310 0748 60	SERVICE KIT (500 h / 6 months)
1310 0748 61	SERVICE KIT (1000 h / 12 months)
2911 0110 00	KIT: UNLOADING VALVE
2911 0112 00	KIT: AIR OIL SEPARATOR
2911 0111 00	KIT: REGULATING VALVE
FLUIDS AND LUBRICANTS	
COMPRESSOR OIL	Fill Qty 1.3 Gal 5 Gal
GENCOL S	12.5 Gal 1626 2264 00
ENGINE OIL	
PAROL E MISSION GREEN	6.8 Gal 1630 0471 00 1630 0472 00
GENCOL 0949	
ENGINE COOLANT	
GENCOOL EG	11 Gal 1626 2255 00 1626 2256 00
GENCOOL EG (CONC.)	4.75 Gal 1626 2257 00

30

Id	Qty	Number	Name	Specifications
15	2	1310075609	LABEL - MODEL	
30	1	1310074830	LABEL:SERVICE PAK CPS 850 FT4	
40	1	1310075506	LABEL:CFM VS PRESSURE 900 CFM	

Go to Discount-Equipment.com to order your parts

CPS 850/650 JD FT4		
SERVICE KITS		
1310 0748 60	SERVICE KIT (500 h / 6 months)	
1310 0748 61	SERVICE KIT (1000 h / 12 months)	
2911 0110 00	KIT: UNLOADING VALVE	
2911 0112 00	KIT: AIR OIL SEPARATOR	
2911 0111 00	KIT: REGULATING VALVE	
FLUIDS AND LUBRICANTS		
COMPRESSOR OIL	Fill Qty	1.3 Gal 5 Gal
GENCOL S	12.5 Gal	1629 2294 00
ENGINE OIL		
PAROL E MISSION GREEN	8.6 Gal	1630 0471 00 1630 0472 00
GENOL 20W85		
ENGINE COOLANT		
GENCOOL EG	11 Gal	1638 2298 00 1638 2299 00
GENCOOL EG (CONC.)	4.75 Gal	1638 2257 00

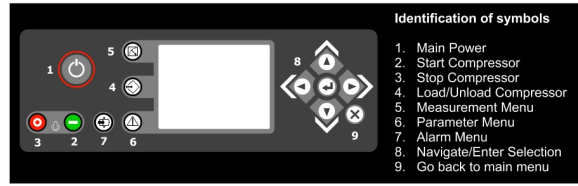
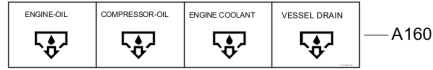


Id	Qty	Number	Name	Specifications
10	1	1310074831	LABEL:CPS 650 JD8	
30	1	1310074830	LABEL:SERVICE PAK CPS 850 FT4	
40	1	1310074805	LABEL:CFM VS PRESSURE 650 CFM	

Go to Discount-Equipment.com to order your parts

Not Illustrated

Ref	Part Number	Designation	Qty
70	1316 0200 85	Label	1



Identification of symbols

1. Main Power
2. Start Compressor
3. Stop Compressor
4. Load/Unload Compressor
5. Measurement Menu
6. Parameter Menu
7. Alarm Menu
8. Navigate/Enter Selection
9. Go back to main menu

Tampering with noise control system prohibited.

Federal law prohibits the following acts or the causing thereof:

- (1) The removal or rendering inoperative by any persons, other than for purposes of maintenance repair or replacement of any device or element of design incorporated into any new compressor for the purpose of noise control prior to its sale or delivery to the ultimate purchaser or while it is in use:
 - a. engine exhaust muffler
 - b. cooling air exhaust and intake silencers
 - c. acoustic baffles
 - d. housing components, canopy or bottom panel
 - e. engine or compressor mounts
 - f. inlet air throttling system
- (2) The use of the compressor after such device or element of design has been removed or rendered inoperative by any person.

- Among those acts included in the prohibition against tampering are the acts listed below:
1. Removal or rendering inoperative any of the following:
 - a. sound absorptive material, including spacing strips on doors, panels and other canopy parts
 - b. fan shroud
 2. Removal of any of the following:
 - a. sound absorptive material, including spacing strips on doors, panels and other canopy parts
 - b. fan shroud
 3. Operation of the compressor with any of the enclosure doors open.

Atlas Copco Airpower 1613 3385 00

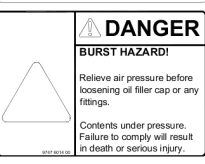
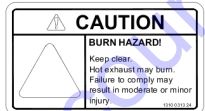
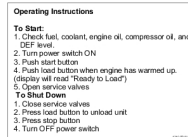
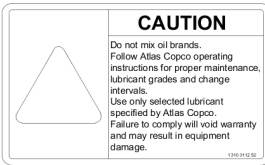
Compressor noise emission control information

This compressor conforms to U.S. E.P.A. regulations for noise emissions applicable to portable air compressors.

The following acts or the causing thereof by any person are prohibited by the Noise Control Act of 1972:

- (A) The removal or rendering inoperative, other than for the purpose of maintenance, repair, or replacement, of any noise control device or element of design (listed in this owner's manual) incorporated into this compressor in compliance with the Noise Control Act.
- (B) The use of the compressor after such device or element of design has been removed or rendered inoperative.

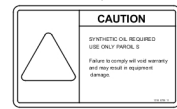
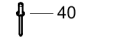
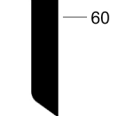
Atlas Copco Airpower 1613 3384 00



EN	PT		
FR	DA		
DE	SW		
NL	FI		
IT	NW		
ES	EL		

1079 9905 51

Indicators	Description	Operator Action
	Exhaust Filter Cleaning Indicator Active when: 1. Exhaust gas temperature is high. 2. Elevated filter is active. 3. Exhaust filter cleaning is in progress.	Machine can be operated as normal. If the area is sensitive to high exhaust temperature, start filter cleaning by using the disable feature. Disable cleaning in emergency situation only.
	Exhaust Filter Indicator Active when: 1. Top read the exhaust filter indicators need for an exhaust filter cleaning. * Warning will be present on controller.	Enable auto filter cleaning to allow a cleaning cycle. Begin a manual cleaning.
	Auto-Cleaning Required Indicator Active when: Auto exhaust filter cleaning is disabled.	If possible, enable auto cleaning.

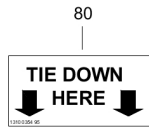


Id	Qty	Number	Name	Specifications
-	1		Label sheet	
20	2	1310489107	LABEL:CP LOGO BLACK 19+	
40	4	0129310300	BLIND RIVET 2.4 * 5	
50	1	1310030915	Lst stickers	
60	4	1310489101	LABEL:CPS LOGO STRIPE 20" BLK	
70	1	1316020085	LABEL:SERVICE PAK CPS 850 FT4	
80	1	1310600495	LABEL:EMERGENCY STOP TEXT	
90	2	1310070800	DECAL LABEL: DO NOT LEAVE	
100	1	1310035372	LABEL:WARNING-UNIT CAN START	
999	1	1310600541	LABEL:CALIFORNIA PROP 65, SMTH	

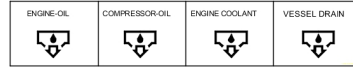
Go to Discount-Equipment.com to order your parts



10



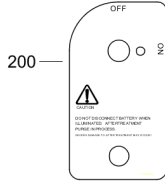
80



160



40



200



170

Tampering with noise control system prohibited.
Federal law prohibits the following acts or the causing thereof:

(1) The removal or rendering inoperative by any person, other than for purposes of maintenance repair or replacement of any device or element of design incorporated into any new compressor for the purpose of noise control prior to its sale or delivery to the ultimate purchaser or user, if it is to use:

Among those acts included in the prohibition against tampering are the acts listed below:

1. Removal or rendering inoperative any of the following:
 - a. sound absorptive material, including sealing strips on doors, panels and other canopy parts;
 - b. fan shroud;
 - c. acoustic baffles;
 - d. housing components, canopy or bottom panel;
 - e. engine or compressor mounts;
 - f. inlet air throttling system.
2. Removal of any of the following:
 - a. sound absorptive material, including sealing strips on doors, panels and other canopy parts;
 - b. fan shroud;
 - c. acoustic baffles;
 - d. housing components, canopy or bottom panel;
 - e. engine or compressor mounts;
 - f. inlet air throttling system.
3. Operation of the compressor with any of the windshields open.

(2) The use of the compressor after such device or element of design has been removed or rendered inoperative by any person.

Atlas Copco Airpower 1613 3385 00

270



50

Indicators	Description	Operator Action
	Exhaust Filter Cleaning Indicator Active when: 1. Exhaust gas temperature is high. 2. Exhausted site is active. 3. Exhaust filter cleaning is in process.	Machine can be operated as normal if the area is sensitive to high exhaust temperatures, abort filter cleaning by using the disable feature. Disable cleaning in emergency situation only.
	Exhaust Filter Indicator Active when: Soot level in the exhaust filter indicates need for an exhaust filter cleaning. *Warning will be present on controller.	Enable auto filter cleaning to allow a cleaning cycle. OR Begin a manual cleaning.
	Auto Cleaning Disabled Indicator Active when: Auto exhaust filter cleaning is disabled.	If possible, enable auto cleaning.

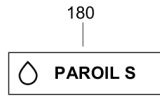
110



220



70



180

Operating Instructions

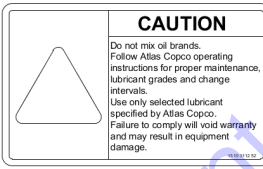
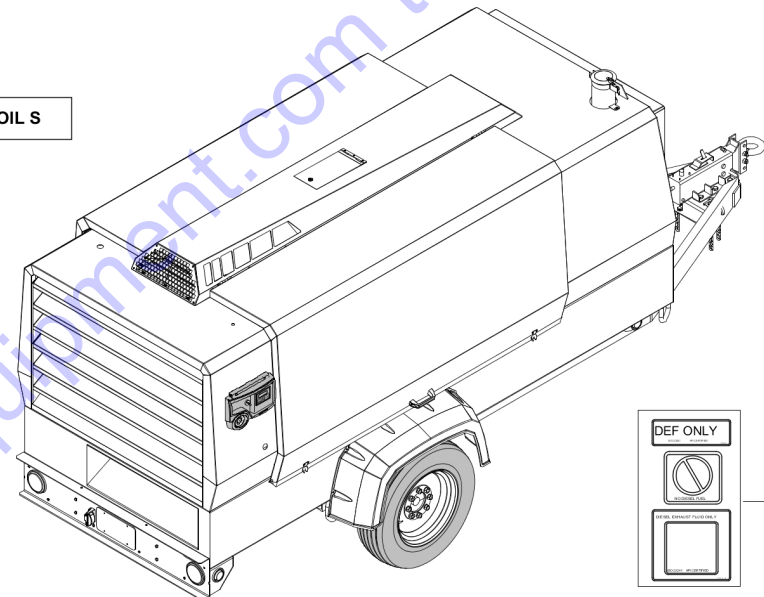
To Start:

1. Check fuel, coolant, engine oil, compressor oil, and DEF level.
2. Turn power switch ON
3. Push start button
4. Push load button when engine has warmed up. (display will read "Ready to Load")
5. Open service valves

To Shut Down:

1. Close service valves
2. Press load button to unladen unit
3. Press stop button
4. Turn OFF power switch

90



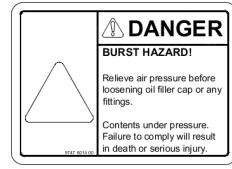
100



120



130



30

Compressor noise emission control information
This compressor conforms to U.S. E.P.A. regulations for noise emissions applicable to portable air compressors.

This following acts or the causing thereof by any person are prohibited by the Noise Control Act of 1972:

(A) The removal or rendering inoperative, other than for the purpose of maintenance, repair, or replacement, of any noise control device or element of design (listed in this owner's manual) incorporated into this compressor in compliance with the Noise Control Act.

(B) The use of the compressor after such device or element of design has been removed or rendered inoperative.

Atlas Copco Airpower 1613 3384 00

260

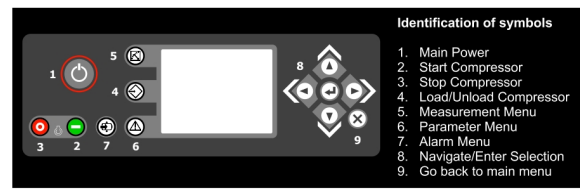


210

EN	_____	PT	_____
FR	_____	DA	_____
DE	_____	SW	_____
NL	_____	NW	_____
IT	_____	FI	_____
ES	_____	EL	_____

1079 9905 51

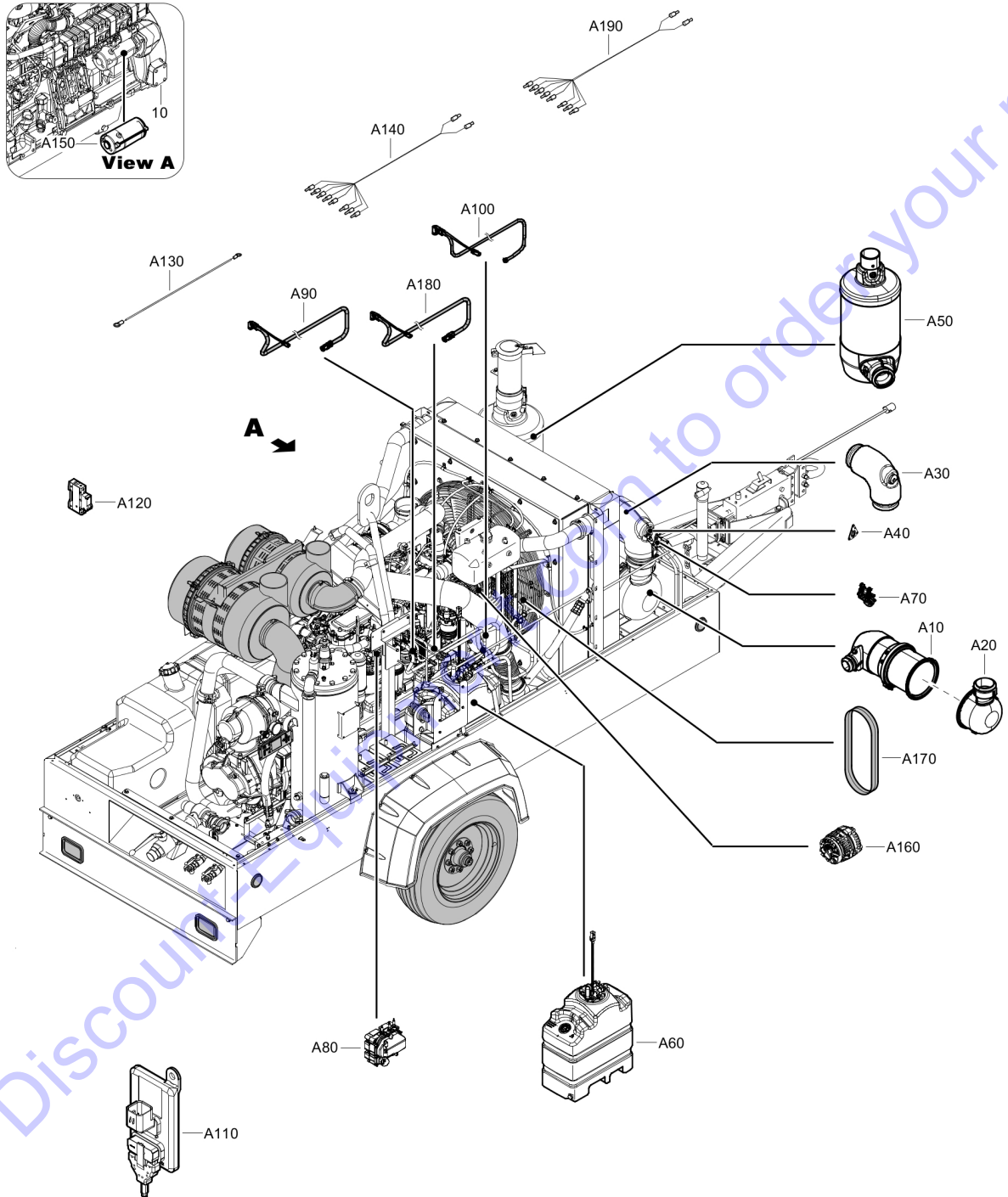
140



250

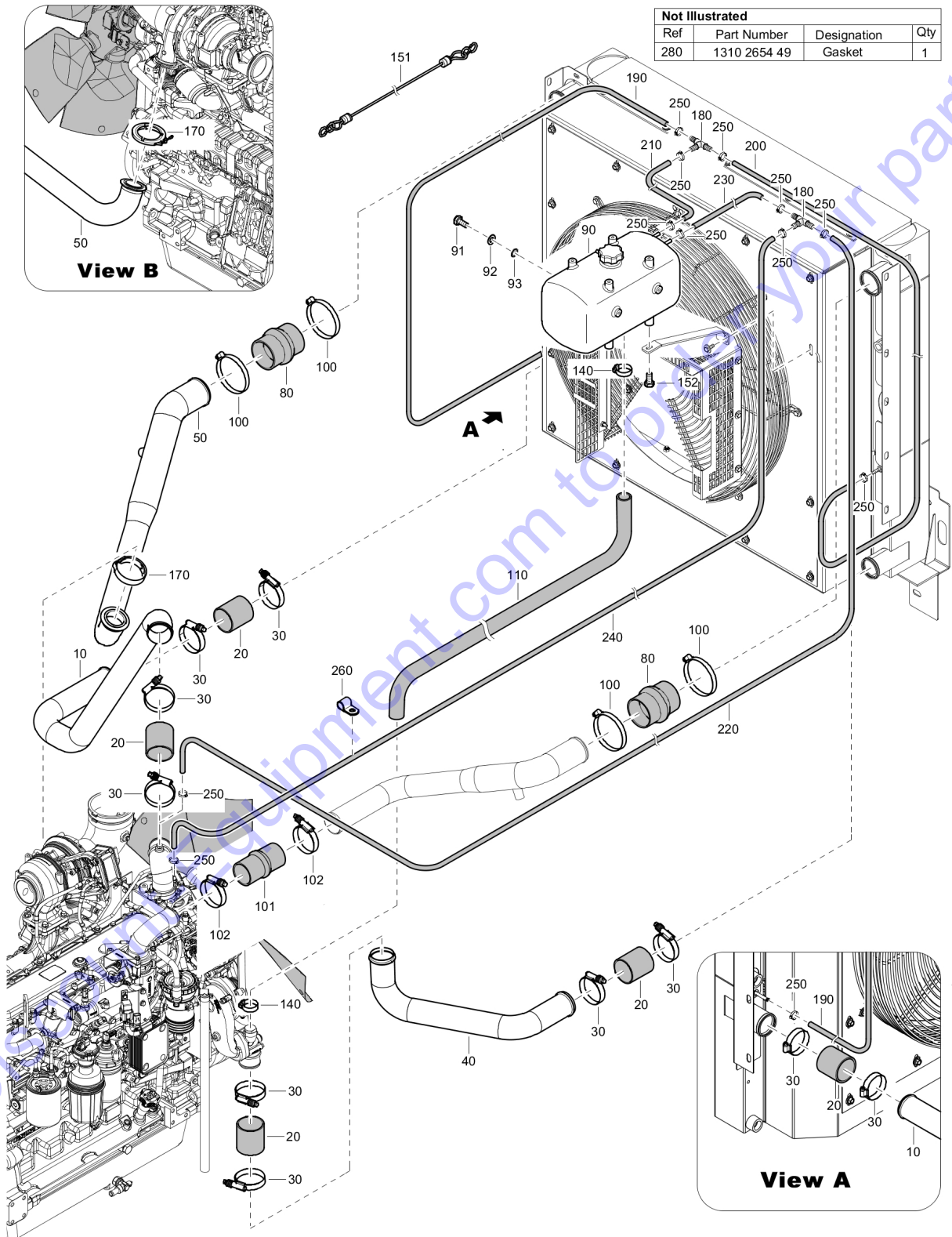
Id	Qty	Number	Name	Specifications
10	3	1310031324	LABEL:CAUTION HOT EXHAUST	
30	1	9747601400	LABEL:DANGER-REC AIR PRESS MUS	
40	1	1310266492	LABEL:DANGER-AIR DISCH FROM TH	
50	1	1310030283	LABEL:WARNING-DO NOT USE START	
70	1	1310035695	LABEL:COOLANT REQUIREMENT.	
80	4	1310035495	LABEL:TIE DOWN HERE XAS	
90	1	1310074808	LABEL:MAINTENANCE XAS S2LP FT4	
100	1	1310311252	LABEL:OIL TYPE-PAROIL	
110	1	1310600437	LABEL:DPF SYMBOLS	
120	1	8915002180	LABEL:LOW SULFUR FUEL REQUIRED	
130	1	1310075355	LABEL:LOW ASH OIL CJ-4 REQWIR	
140	1	1079990551	Instruction label	
160	1	1310078302	LABEL:COMPRESSOR DRAINS	
170	2	1079990249	LABEL:CAUTION-HOT SURFACE	
180	1	1079992000	DECAL PAROIL S	
200	1	1310074806	LABEL:BATTERY SWITCH/LAMP	
210	1	1310070141	LABEL:SHEET DEF WARNINGS	
220	1	1310600495	LABEL:EMERGENCY STOP TEXT	
250	1	1310600337	LABEL:CONTROLLER, XC2003	
260	1	1613338400	DECAL	
270	1	1613338500	DECAL	

Go to Discount-Equipment.com to order your parts



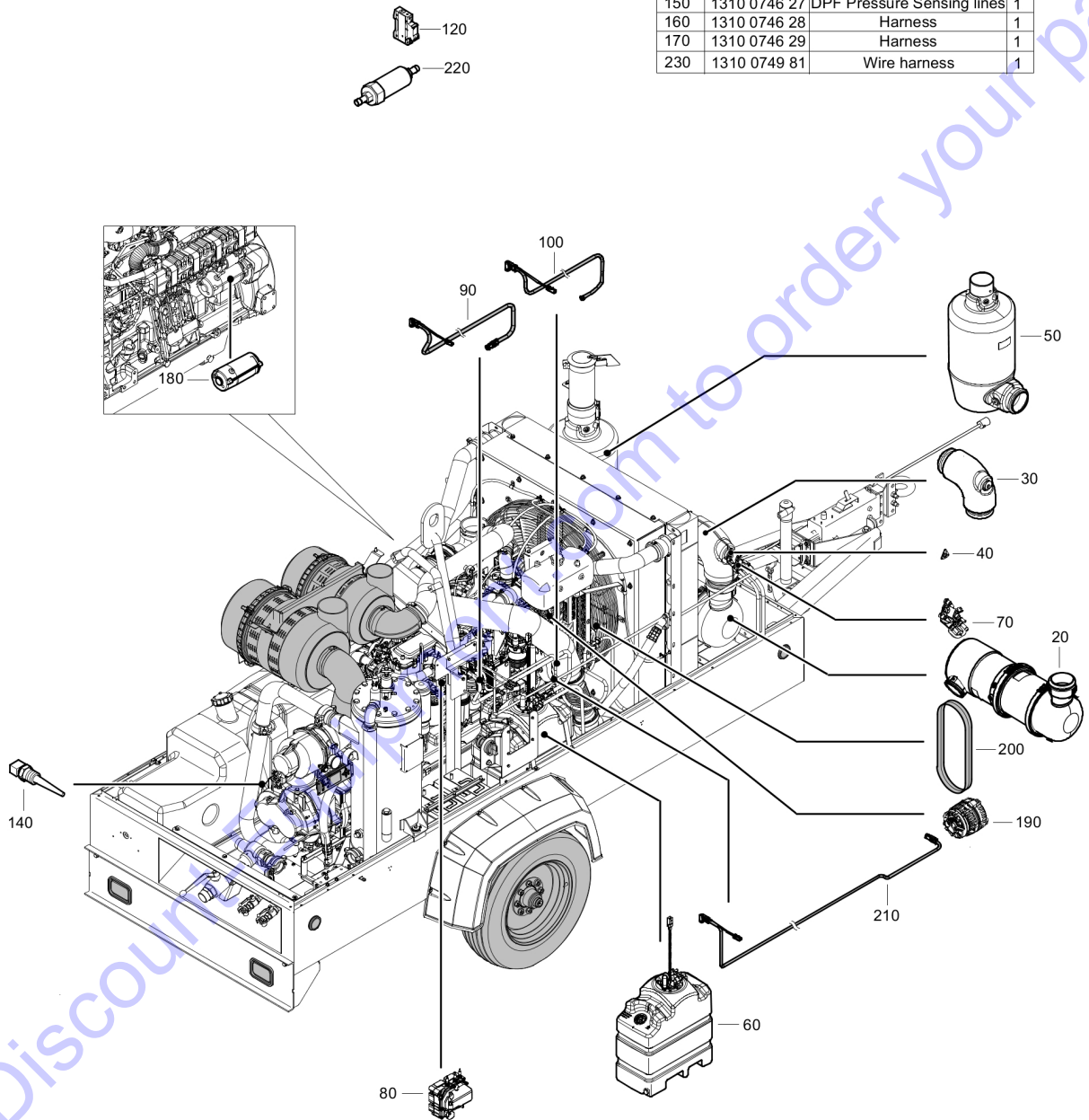
Id	Qty	Number	Name	Specifications
A10	1	1310075462	FILTER:DOC JD XAS 750 T4F G1.5	
A20	1	1310075463	FILTER:DPF JD XAS 750 T4F G1.5	
A30	1	1310074228	TUBE:DECOMP 90DEG JD	
A40	1	1316010086	GASKET:DOSER MOD	
A50	1	1310075461	SCR:CATALYST JD	
A60	1	1316010051	DEF TANK	
A70	1	1316010052	DEF PUMP	
A80	1	1316010053	HEADER:DEF TANK	
A90	1	1316010087	DEF LINE:1000MM SUCTION 24V	
A100	1	1316010088	DEF LINE:375MM SUCTION JUMPER	
A110	1	1316010054	SENSOR:NOX S2LP	
A120	1	1310074624	INJECTOR:DOSING	
A130	1	1316010055	HARNES:DOC/DPF	
A140	1	1310074629	HARNES:DPF EXT. JD RE562711	
A150	1	1310074632	STARTER:JD RE564633	
A160	1	1310074633	ALTERNATOR:24V	
A170	1	1310074634	BELT-FAN:	
A180	1	1316010056	Def line	
A190	1	1316010057	WIRE HARNES	

Go to Discount-Equipment.com to order your parts



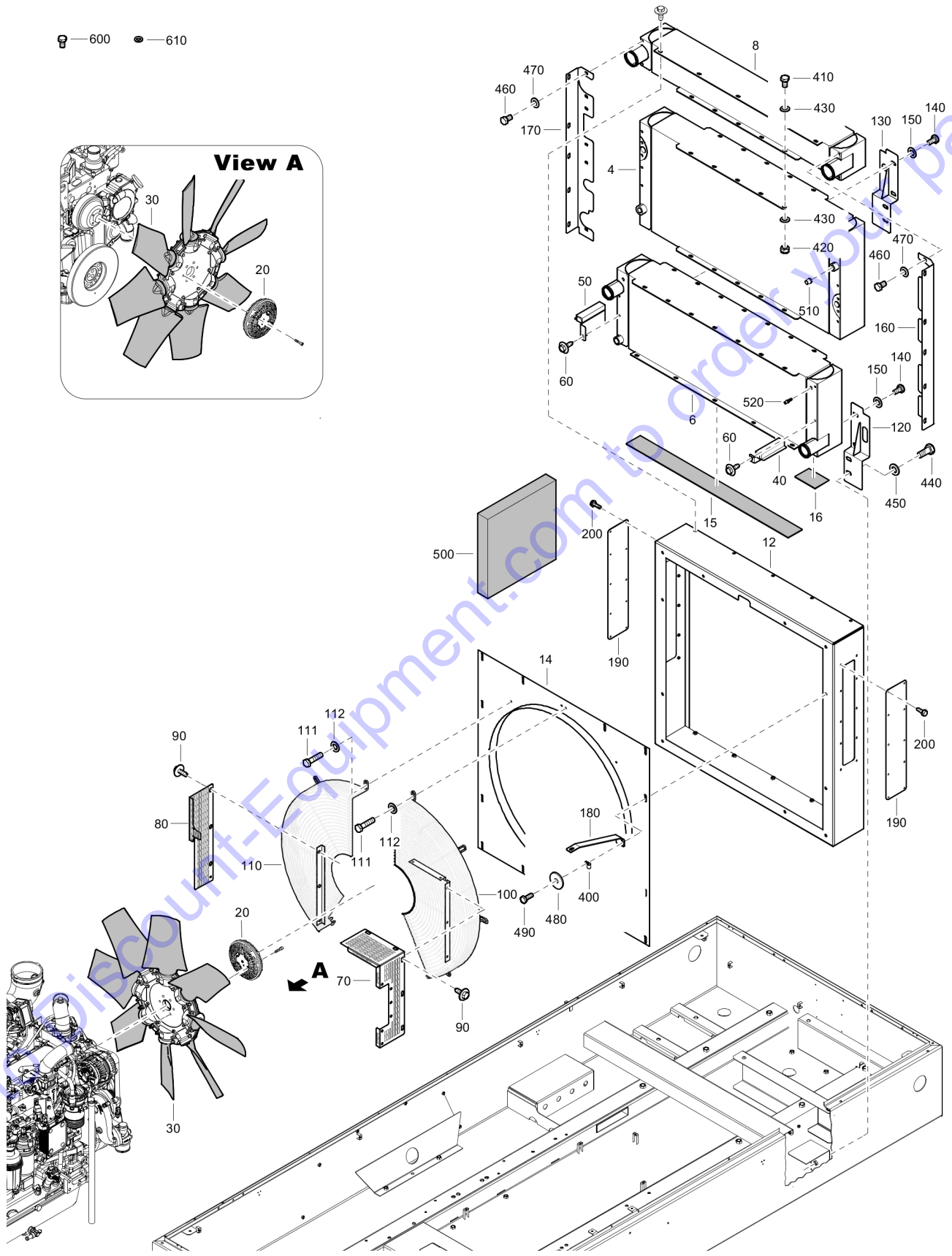
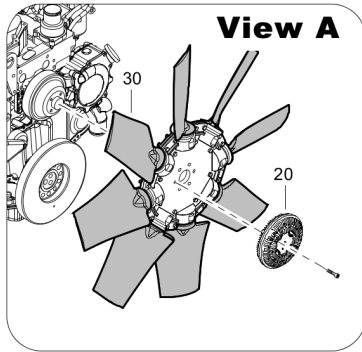
Id	Qty	Number	Name	Specifications
10	1	1310681600	PIPE:UPPER RADIATOR S2LP IT4	
20	4	1310072300	SLEEVE:COOLANT 2.5" ID	
30	8	1310037005	CLAMP-HOSE:2.25-3.12,CONS-TORQ	
40	1	1310130600	PIPE:LOWER COOLANT	
50	1	1310623400	PIPE - ENGINGE > COOLER	
80	2	1310072311	CONNECTOR:CAC 3.00 HUMP	
90	1	1310072303	TOP TANK:	
91	5	0147132203	HEX. HEAD SCREW M8 X 16	
92	5	0301233500	PLAIN WASHER	
93	1	0333322700	LOCK WASHER	
100	4	0347610022	HOSE CLAMP	
101	1	1310037004	HUMP-HOSE:CAC 2.50+ SILICONE	
102	2	1310037005	CLAMP-HOSE:2.25-3.12,CONS-TORQ	
110		1310072307	HOSE:COOLANT 1.25 ID	
140	2	0347610900	CLAMP	
151	2	1310627000	LANYARD:CAC	
152	4	1619276600	SCR.BOLT M8X20	
170	1	1310030162	CLAMP:V-BAND EXHAUST \$-STL	
180	2	1310072348	TEE-HOSE:.3125" BARB; BRASS	
190		1310031198	HOSE: .32IDX.09W RUBBER POLYME	
200		1310031198	HOSE: .32IDX.09W RUBBER POLYME	
210		1310031198	HOSE: .32IDX.09W RUBBER POLYME	
220		1310031198	HOSE: .32IDX.09W RUBBER POLYME	
230		1310031198	HOSE: .32IDX.09W RUBBER POLYME	
240		1310031198	HOSE: .32IDX.09W RUBBER POLYME	
250	12	1310032384	CLAMP-HOSE: .25- .62,SIZE 4	
260	5	1310036557	CLAMP:0.5" ID XM10,P-TYPE \$RBR	
280	1	1310265449	GASKET:3+ HALF MARMON	

Not Illustrated			
Ref	Part Number	Designation	Qty
10	1310 0746 22	Diesel Oxidation Catalyst	1
110	1310 0746 23	Nox Sensors	2
130	1310 0746 25	DPF Temp Sensor	1
150	1310 0746 27	DPF Pressure Sensing lines	1
160	1310 0746 28	Harness	1
170	1310 0746 29	Harness	1
230	1310 0749 81	Wire harness	1

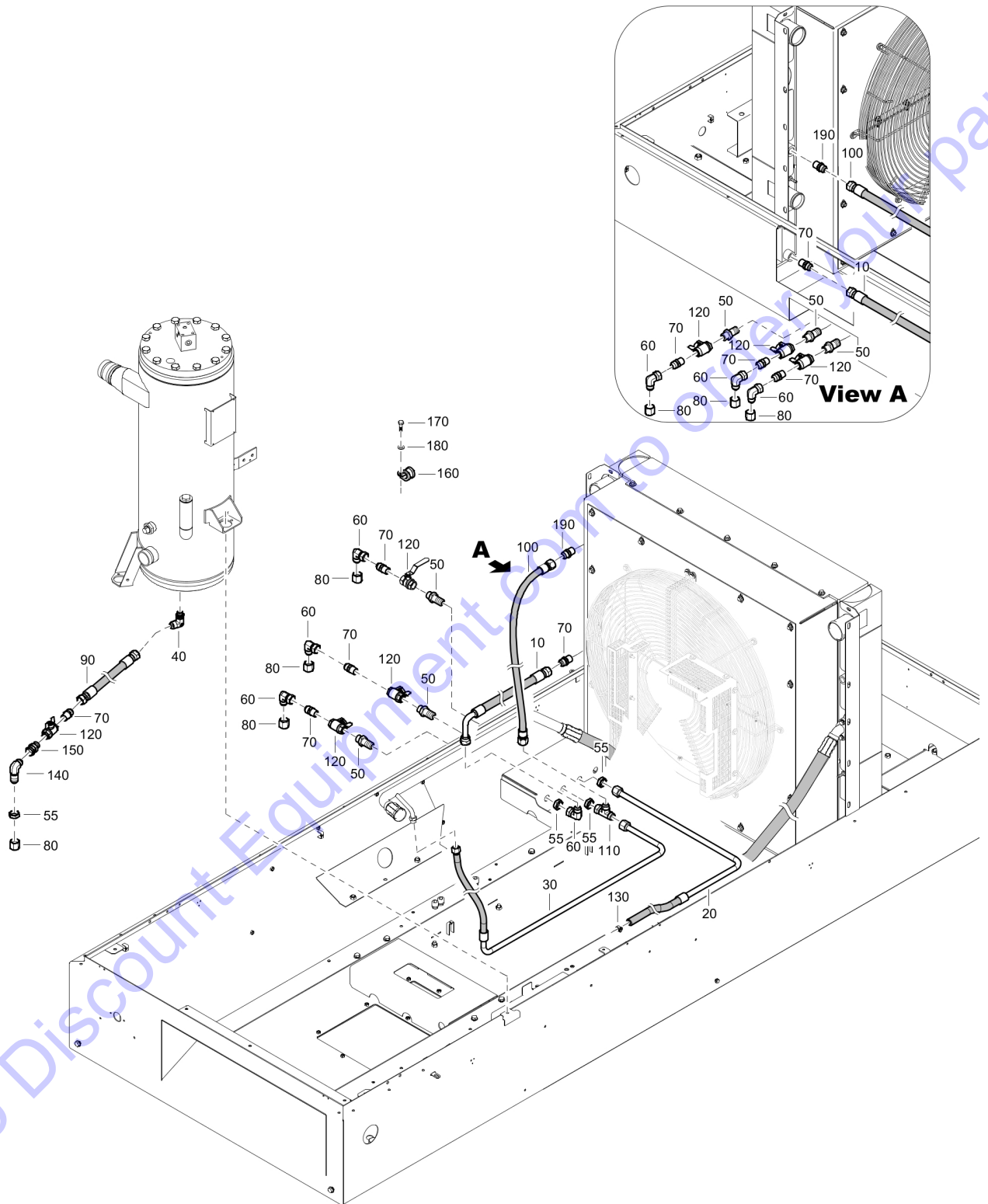


Id	Qty	Number	Name	Specifications
10	1	1310074622	DOC:SIZE 5 DOC/DPF JD RE563868	
20	1	1310074224	FILTER:PARTICULATE JD RE563694	
30	1	1310074228	TUBE:DECOMP 90DEG JD	
40	1	1310074229	GASKET:DOSERMOD	
50	1	1310074223	AFTERTREATMENT:SCR JD	
60	1	1310881500	DEF TANK:XAS 750 FT4	
70	1	1310074227	Module	
80	1	1316010053	HEADER:DEF TANK	
90	1	1310147800	TUBE:DEF SUPPLY TO MODULE	
100	1	1310147900	TUBE:DEF RETURN TO TANK	
110	2	1310074623	SENSOR:NOX	
120	1	1310074624	INJECTOR:DOSING	
130	1	1310074625	Temperature sensor 3081601728	
140	1	1310074626	TEMP SENSOR:SCR RE552186	
150	1	1310074627	SENSING LINES:DPF JD RE544034	
160	1	1310074628	HARNESS:DPF MODULE JD RE562712	
170	1	1310074629	HARNESS:DPF EXT. JD RE562711	
180	1	1310074632	STARTER:JD RE564633	
190	1	1310074633	ALTERNATOR:24V	
200	1	1310074634	BELT-FAN:	
210	1	1310151600	TUBE:DEF SUPPLY TO DOSER	
220	1	1310074814	FILTER COOLANT DZ100304	
230	1	1310074981	WIRE HARNESS	

600 610

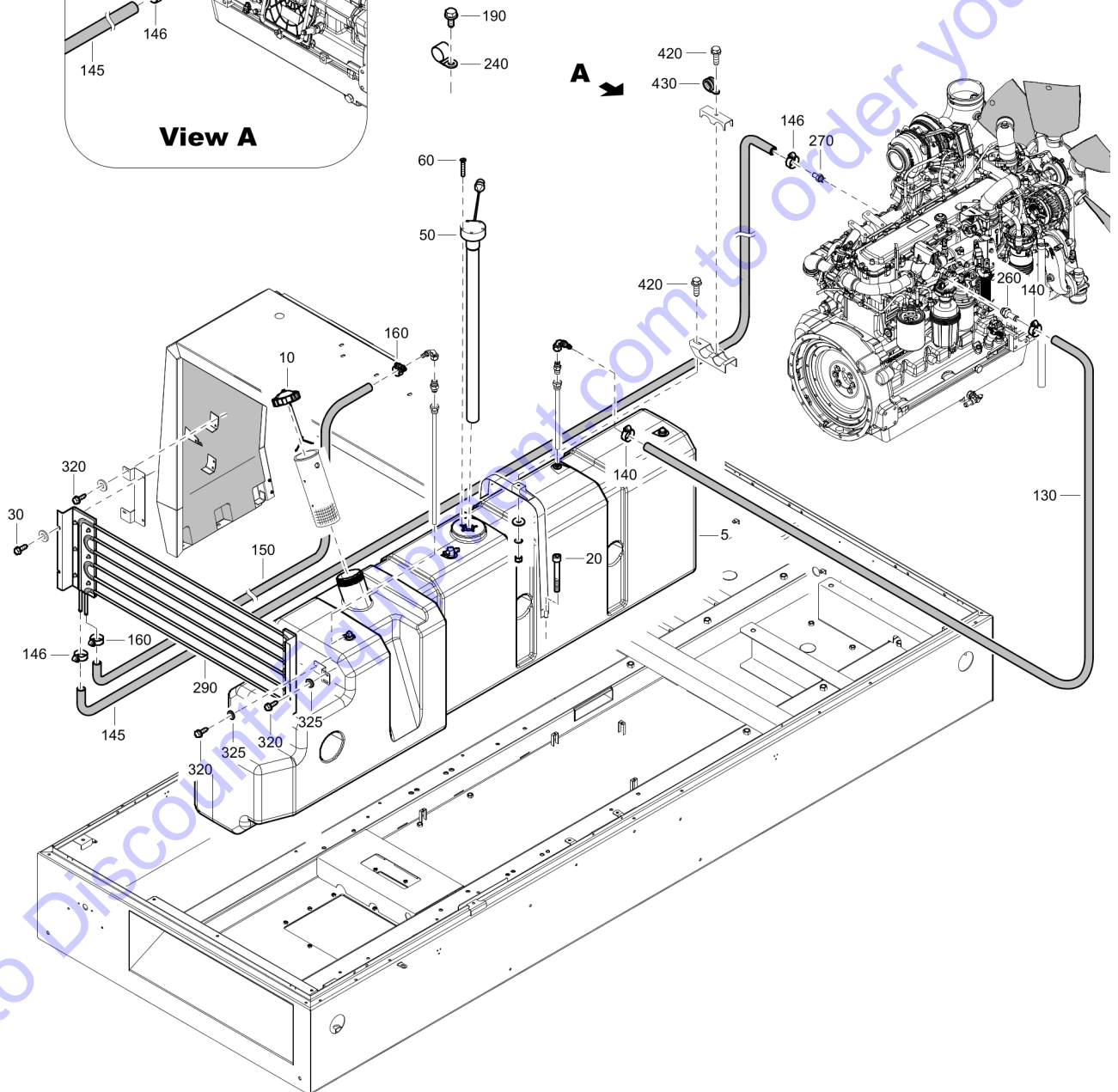
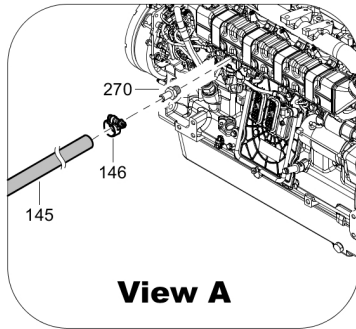


Id	Qty	Number	Name	Specifications
4	1	1310174700	Cooler combi	
6	1	1310174800	Radiator	
8	1	1310174900	COOLER:CHARGED AIR XAS750 FT4	
12	1	1310681826	FAN SHROUD:S2LP FT4	
14	1	1310681830	FAN RING:S2LP IT4	
15	1	1310613600	PAD:COOLER	
16	1	1310613700	PAD:COOLER	
20	1	1310072920	FAN DRIVE:VSD JD RE555051	
30	1	1310072919	FAN:850MM BLOWER	
40	1	1310074788	BRACKET:COOLER AIR BLOCK RIGHT	
50	1	1310074789	BRACKET:COOLER AIR BLOCK LEFT	
60	2	1615566400	HEX. HEAD SCREW	
70	1	1310633100	GUARD:FINGER R XAS750T4	
80	1	1310633201	Guard	
90	8	1615566400	HEX. HEAD SCREW	
100	1	1310685400	FAN GUARD:S2LP T4 RIGHT SIDE	
110	1	1310685450	FAN GUARD:S2LP T4 LEFT SIDE	
111	8	0144328703	BOLT	
112	8	1310030384	WASHER-FLAT:.375 USS \$STL	
120	1	1310682001	BRACKET:COOLER SUPPORT	
130	1	1310682100	BRACKET:L COOLER SUPPORT	
140	4	0147139803	HEX. HEAD SCREW	
150	4	0301235800	PLAIN WASHER	
160	1	1310681400	BRACKET:R COOLER SUP S2LP IT4	
170	1	1310681500	BRACKET:L COOLER SUP S2LP IT4	
180	1	1310688500	BRACKET:TOP TANK SUPP. S2LPIT4	
190	2	1310681850	Plate	
200	20	1619589801	HEX. HEAD SCREW	
400	3	1310036557	CLAMP:0.5" ID XM10,P-TYPE \$RBR	
410	20	0144328803	HEX HEAD SCREW	
420	20	1310030383	LOCKNUT:3/8" NYLOCK GRADE 5	
430	40	1310030384	WASHER-FLAT:.375 USS \$STL	
440	4	0147140103	SCREW DIN933 M12X30 8.8 ZN	
450	4	0301235800	PLAIN WASHER	
460	12	0144328803	HEX HEAD SCREW	
470	12	1310030384	WASHER-FLAT:.375 USS \$STL	
480	12	0300027491	PLAIN WASHER	
490	12	0147132203	HEX. HEAD SCREW M8 X 16	
500	8		Silencing foam (40mm)	
510	2	1310035525	PLUG-PIPE: .500NPT HEX HD	
520	1	1310032151	ADAPTER-HOSE:.250NPT X.375BARB	
600	10	0144328803	HEX HEAD SCREW	
610	10	1310030384	WASHER-FLAT:.375 USS \$STL	



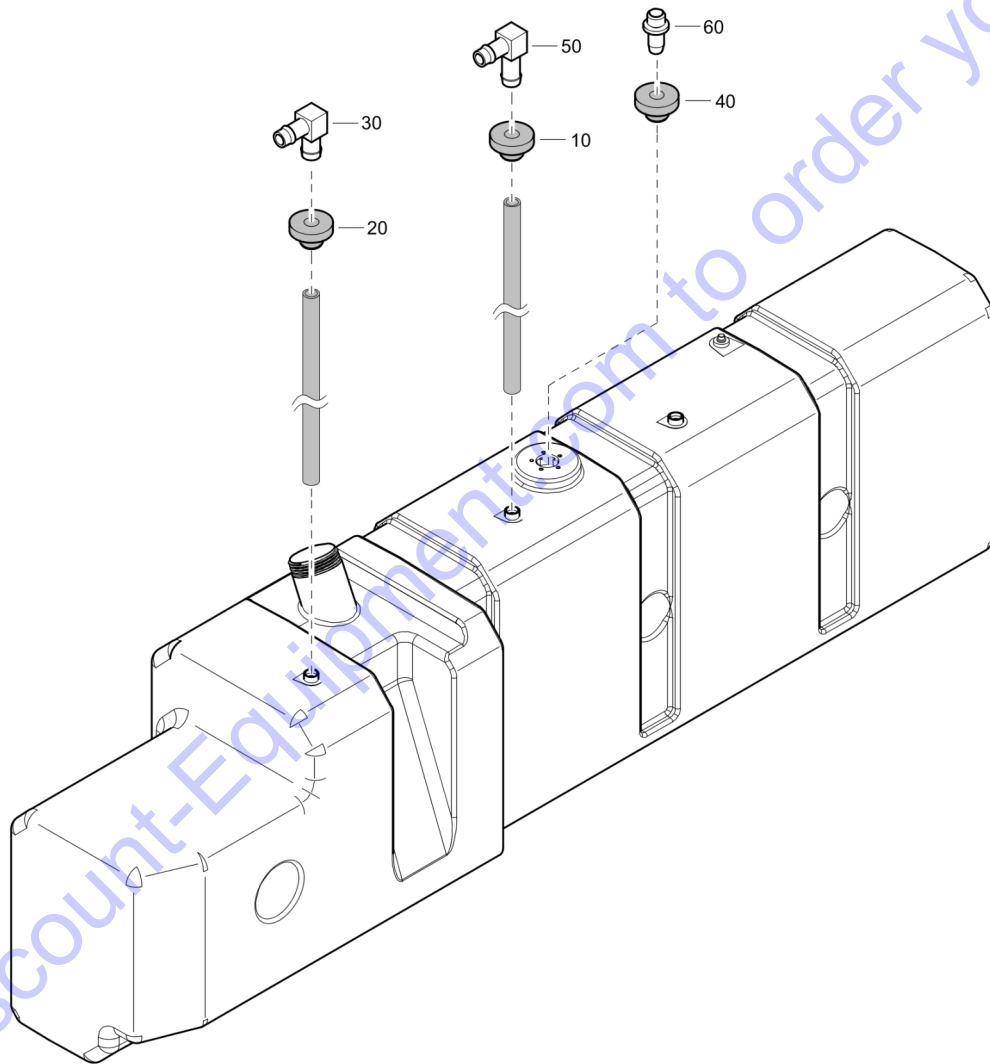
Id	Qty	Number	Name	Specifications
10	1	1310160101	DRAIN:COOLANT XA(T)S 750 FT4	
20	1	1310160001	DRAIN:ENGINE	
30	1	1310160201	DRAIN:MANIFO	
40	1	3176656600	ELBOW:JIC -12 TO G1/2	
50	3	5500510000	ADAPTER	
55	4	0263321500	NUT: 1-1/6UN FOR -12 JIC	
60	4	3715058900	ELBOW: 3/4"JICFX 3/4" JICM	
70	5	3176653900	ADAPTER: .750MPTX1.06-12JIC ST	
80	4	1310072903	CAP: 3/4 JIC	
90	1	1310159801	Drains	
100	1	1310159901	DRAIN:OIL COOLER XA(T)S750 FT4	
110	1	1310074472	ADAPTER:BULKHEAD TEE -12 JIC	
120	4	1310030400	VALVE-BALL: .750FPT	
130	1	0347610500	HOSE CLAMP TYPE A D=16	
140	1	1310074470	ELBOW:BULKHEAD 90 12JIC M2M	
150	1	1310074469	ADAPTER:.750MPT X -12 JIC	
160	4	0346100207	PIPE CLAMP	
170	4	0147124703	HEX. BOLT M6X20X8.8	
180	4	0301232100	WASHER M6	
190	1	1310074107	ADAPTER:-12JIC X 3/4 BSPP	

Go to Discount-Equipment.com to order your parts



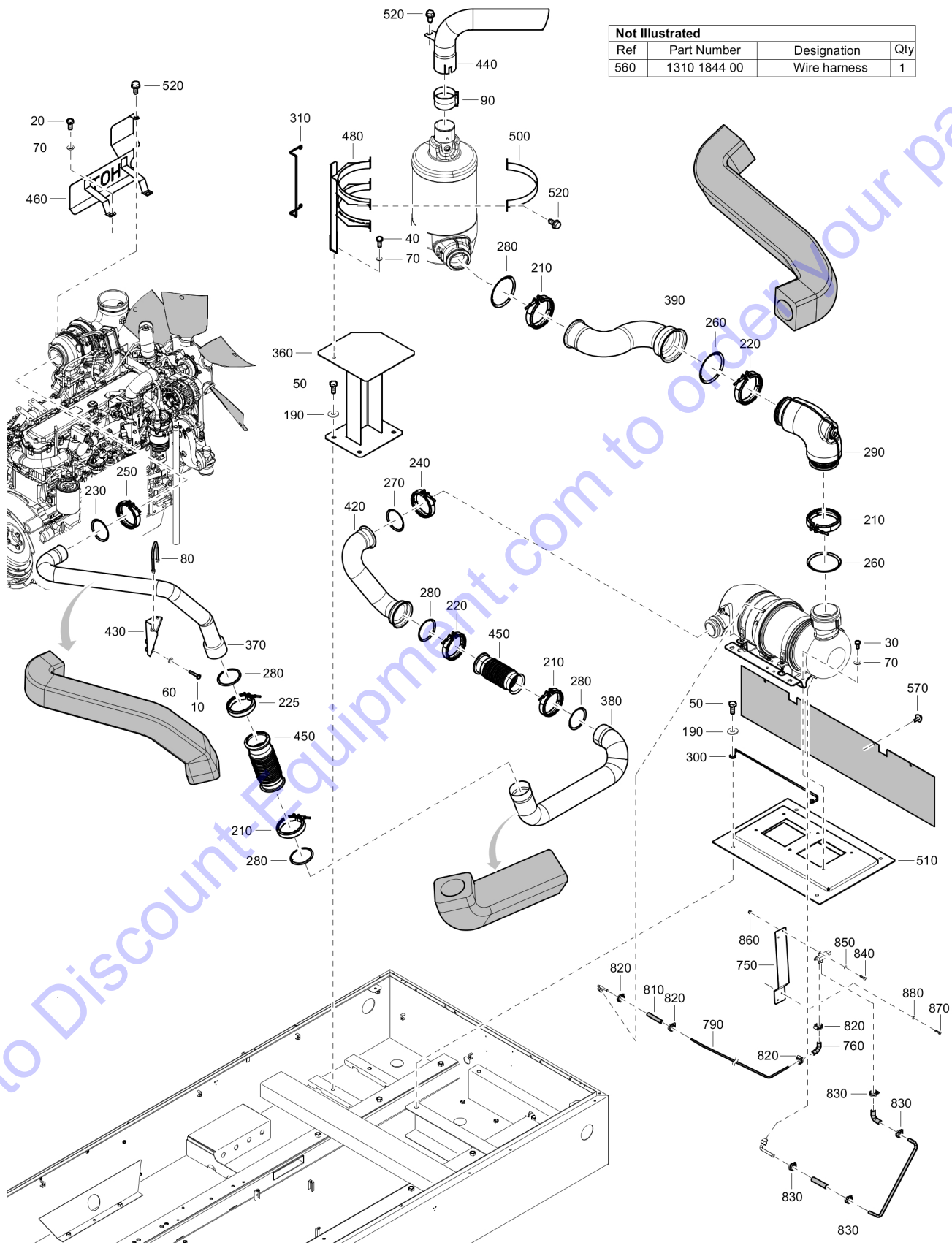
Id	Qty	Number	Name	Specifications
5	1	1310175602	FUELTANK:XAS 950 S2LP PLASTIC	
10	1	1310924378	FUELCAP:KELCH 3.5" (BLACK)	
20	3	0211195935	SCREW	
30	3	1619276600	SCR.BOLT M8X20	
50	1	1089065906	SWITCH	
60	5	5530768100	SCREW:#10-24 X 1.5 SLOTTED	
130	5	0071840290	FUEL HOSE	
140	2	0347610400	HOSE CLAMP	
145		0071840290	FUEL HOSE	
146	2	0347610400	HOSE CLAMP	
150		0071840290	FUEL HOSE	
160	2	0347610400	HOSE CLAMP	
190	2	1619276600	SCR.BOLT M8X20	
240	2	1310072342	CLAMP:WIRE & TUBE .625" DIA	
260	1	1310072345	ADAPTER:.375 BARB X M14 MALE	
270	1	1310072407	ADAPTER:.375 BARB X M12 MALE	
290	1	1310075714	FUEL COOLER:	
320	7	1619589801	HEX. HEAD SCREW	
325	3	0301233500	PLAIN WASHER	
420	1	1619276600	SCR.BOLT M8X20	
430	3	1310072342	CLAMP:WIRE & TUBE .625" DIA	

Go to Discount-Equipment.com to order your parts



Id	Qty	Number	Name	Specifications
10	1	1310175631	GROMMET:SUPPLY XAS 750 FUEL	
20	1	1310175632	GROMMET:RETURN XAS 750 FUEL	
30	1	1310175633	ELBOW:RETURN XAS 750 FUEL	
40	1	1310175634	GROMMET:VENT XAS 750 FUEL	
50	1	1310175635	ELBOW:SUPPLY XAS 750 FUEL	
60	1	1310175636	VENT:XAS 750 FUEL	

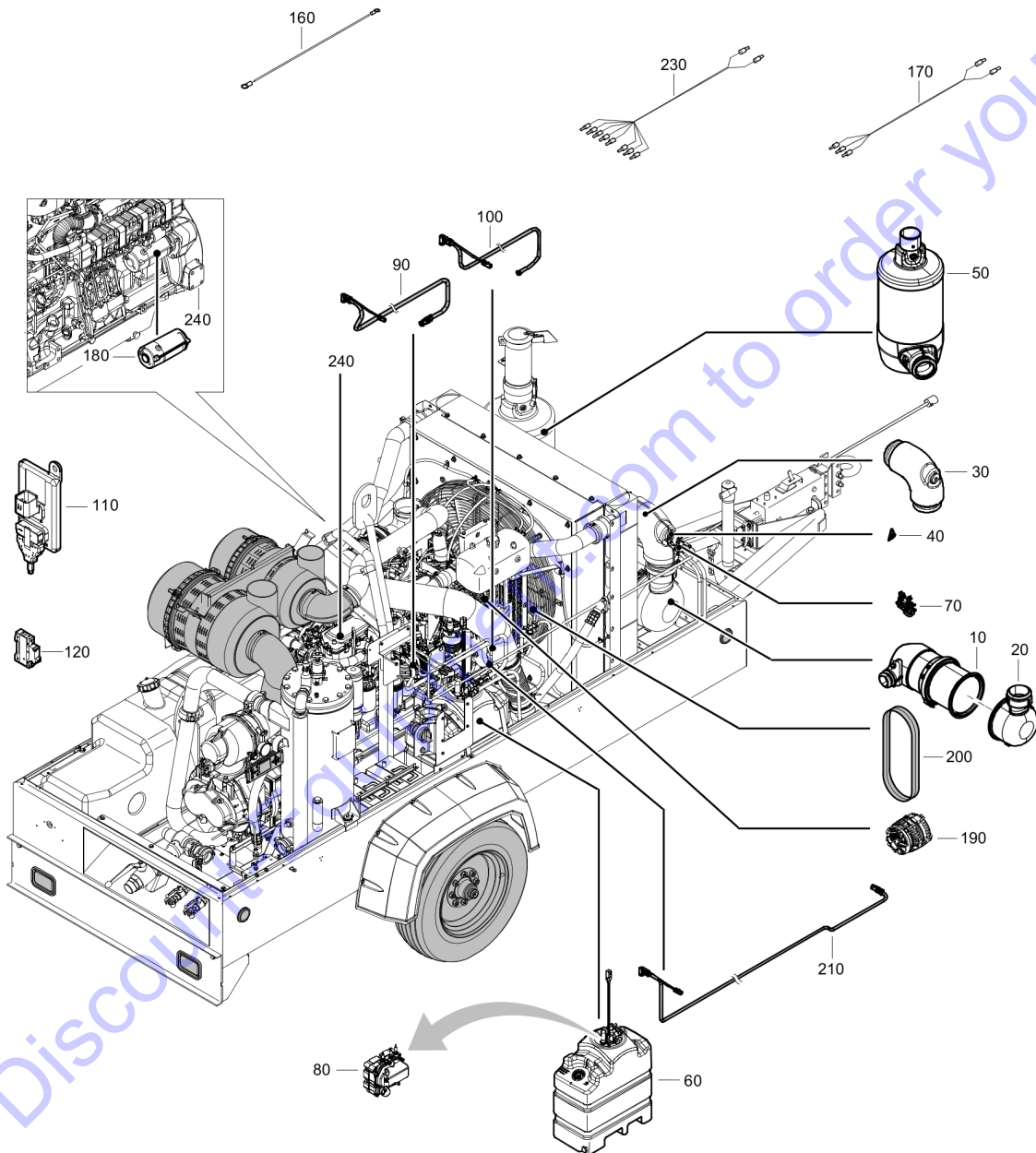
Go to Discount-Equipment.com to order your parts



Id	Qty	Number	Name	Specifications
10	2	0147132803	HEX. BOLT M8X40X8.8	
20	2	0147139803	HEX. HEAD SCREW	
30	6	0147140015	Hex. head screw	
40	2	0147140103	SCREW DIN933 M12X30 8.8 ZN	
50	8	0147147703	HEX.BOLT M16X40-8.8	
60	2	0301233500	PLAIN WASHER	
70	10	0301235800	PLAIN WASHER	
80	1	1310035581	Clamp	
90	1	1310036276	CLAMP-EXHAUST:4.00 ALUMINZED	
190	12	1310072012	WASHER:M16 S-STEEL RCU	
210	4	1310072343	CLAMP-EXHAUST:MARMON 4IN SS	
220	2	1310072432	CLAMP:5.00 MARMON	
225	1	1310072400	CLAMP EXHAUST DZ10555	
230	1	1310072868	SEAL RING:	
240	1	1310072869	CLAMP:MARMON	
250	1	1310072870	CLAMP:MARMON 3+	
260	2	1310072881	SEAL:MARMON FLANGE	
270	1	1310073201	GASKET:MARMON FLG	
280	5	1310074038	GASKET EXHAUST R533962	
290	1	1310074228	TUBE:DECOMP 90DEG JD	
300	1	1310074718	WIRE GUIDE:	
310	1	1310074770	WIRE GUIDE:	
320	1	1310075457	SUPPORT ASY:DOC XAS750 JD T4F	
360	1	1310126801	SUPPORT:SCR 750 JD FT4	
370	1	1310130810	PIPE:EXHAUST TURBO TO BELLOWS	
380	1	1310131310	PIPE:EXHAUST BELLOWS TO DPF	
390	1	1310131411	PIPE:SCR INLET	
420	1	1310169611	PIPE:DPF INLET	
430	1	1310600109	BRACKET:EX PIPE SUPRT XAS750T4	
440	1	1310624301	PIPE:EXHAUST OUTLET 4" XAS750	
450	2	1310633310	PIPE:BELLOWS 4" MARMON	
460	1	1310653000	GUARD:MANIFOLD XAS750T4	
470	1	1310813180	KIT:HEAT BLANKET XAS750 JD FT4	
480	1	1310940501	SUPPORT:SCR	
500	2	1310940600	CLAMP:SCR QAS 95/125 FT4	
510	1	1310962710	SUPPORT:PLATE DPF S2LP JD T4F	
520	6	1619276600	SCR.BOLT M8X20	
530	1	1626488000	Insulation	
560	1	1310184400	WIRE HARNESS EXTENSION:NOX SEN	
570	4	1615566400	HEX. HEAD SCREW	
750	1	1310762800	BRACKET:DPF SENSOR S2LP FT4 JD	
760	1	1310050206	SLEEVE:HOSE ID 0.27", ELBOW	
790	1	1310050537	TUBE:DPF TEMP SENSOR 1/4"	
810	1	1310050220	HOSE:SILICONE HEATER 1/4" ID	
820	4	0347610400	HOSE CLAMP	

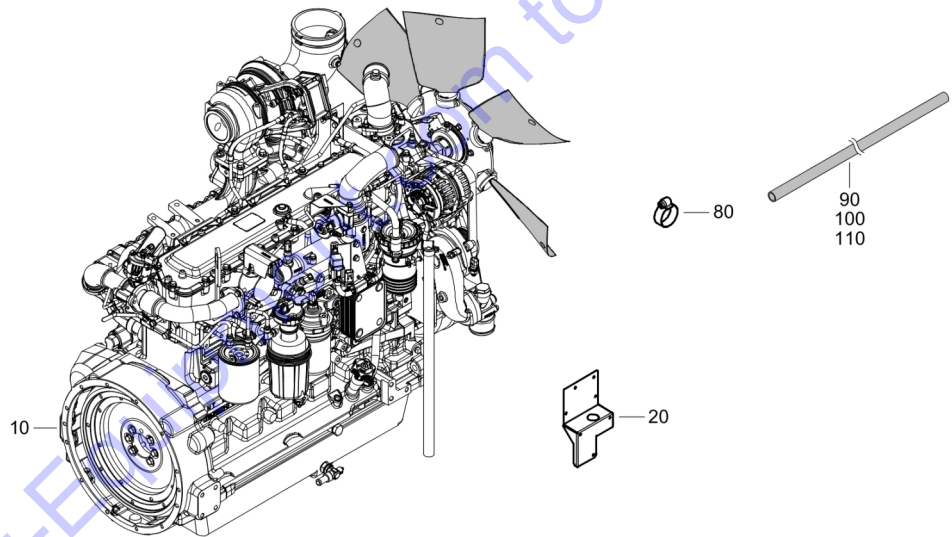
Id	Qty	Number	Name	Specifications
830	4	0347610500	HOSE CLAMP TYPE A D=16	
840	2	0147124703	HEX. BOLT M6X20X8.8	
850	4	0301232100	WASHER M6	
860	2	0291110800	LOCK NUT M6	
870	2	0147124903	HEX. BOLT M6X25X8.8	
880	4	0301232100	WASHER M6	

Go to Discount-Equipment.com to order your parts



Id	Qty	Number	Name	Specifications
10	1	1310075462	FILTER:DOC JD XAS 750 T4F G1.5	
20	1	1310075463	FILTER:DPF JD XAS 750 T4F G1.5	
30	1	1310074228	TUBE:DECOMP 90DEG JD	
40	1	1316010086	GASKET:DOSER MOD	
50	1	1310075461	SCR:CATALYST JD	
60	1	1310881500	DEF TANK:XAS 750 FT4	
70	1	1316010052	DEF PUMP	
80	1	1316010053	HEADER:DEF TANK	
90	1	1310147800	TUBE:DEF SUPPLY TO MODULE	
100	1	1310147900	TUBE:DEF RETURN TO TANK	
110	2	1310076453	SENSOR:NOX 24V, 908MM	
120	1	1310074624	INJECTOR:DOSING	
160	1	1316010055	HARNES:DOC/DPF	
170	1	1310074629	HARNES:DPF EXT. JD RE562711	
180	1	1310074632	STARTER:JD RE564633	
190	1	1310074633	ALTERNATOR:24V	
200	1	1310074634	BELT-FAN:	
210	1	1310076421	DEF LINE:PRESSURE 3000MM 24V	
230	1	1316010057	WIRE HARNES	
240	1	1316020070	KIT:ENGINE XAS 900 JD	

Go to Discount-Equipment.com to order your parts

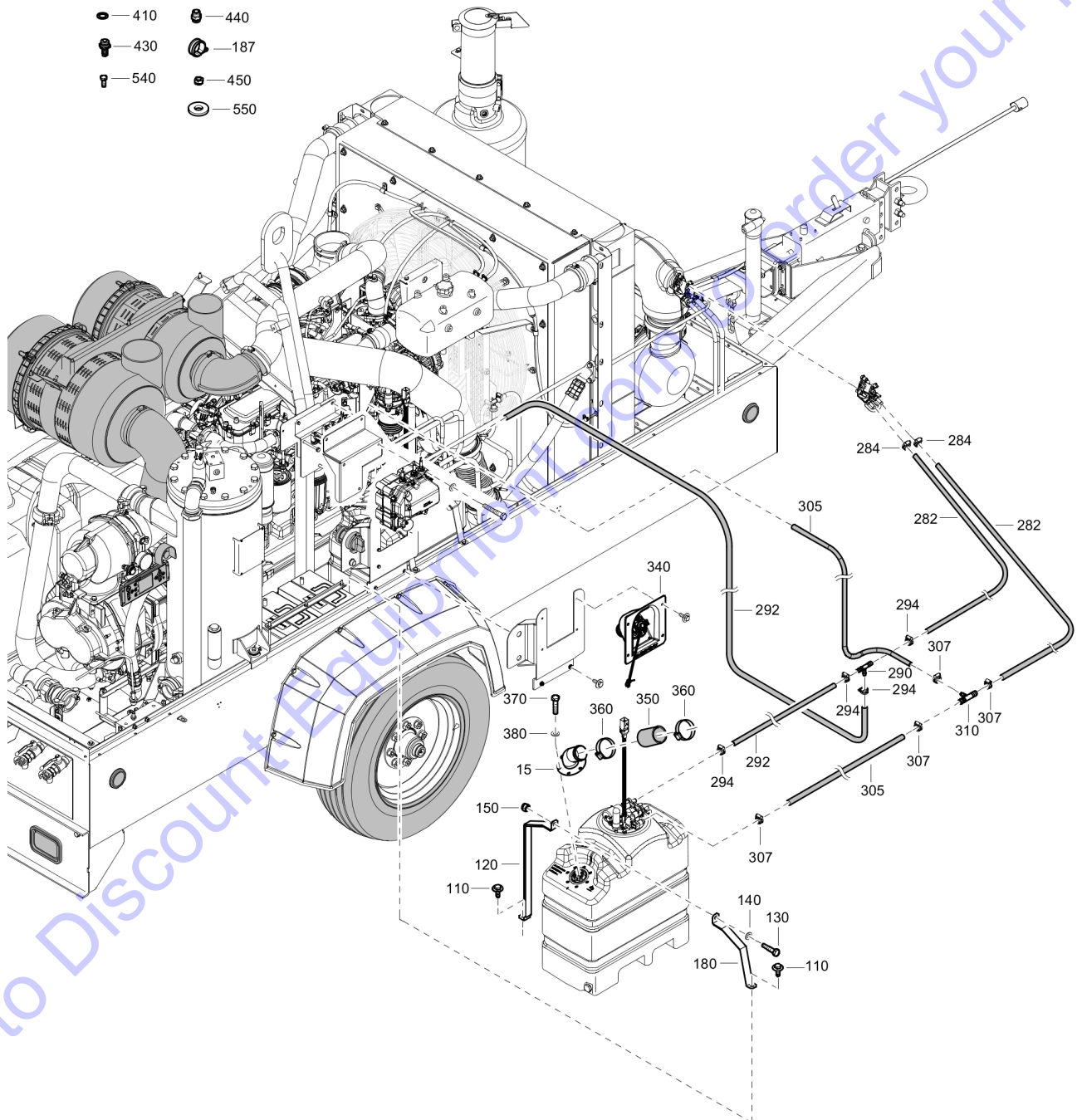


Id	Qty	Number	Name	Specifications
10	1	1317000068	Engine	
20	1	1310082301	BRACKET:SUPPLY MODULE	
80	2	0347610600	HOSE CLAMP	
90	11	0075402570	HOSE	
100	6	0075402500	HOSE:5/8 PUSHLOK	
110	10	0075402569	TUBE	

Go to Discount-Equipment.com to order your parts

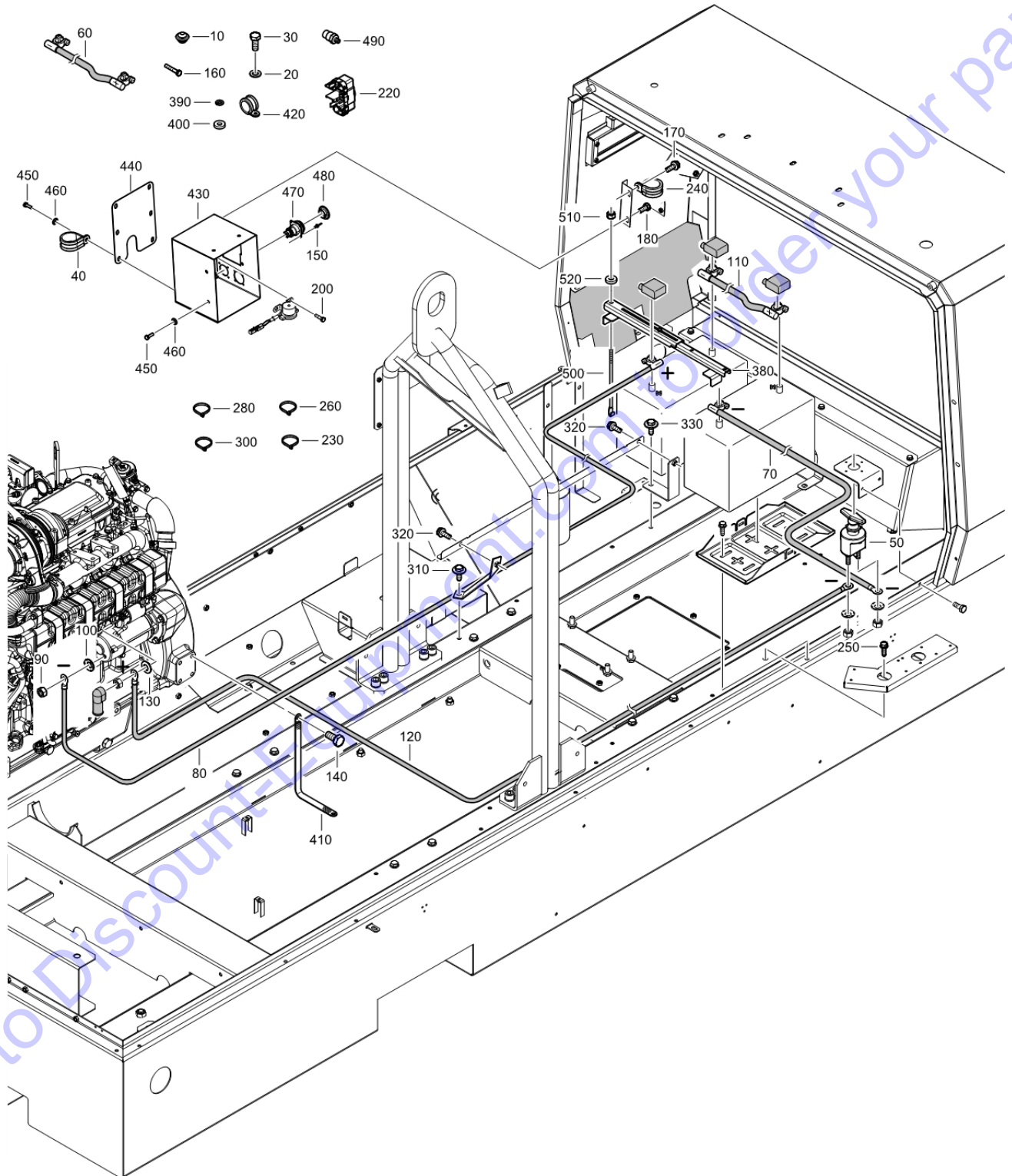
Not Illustrated			
Ref	Part Number	Designation	Qty
185	1310 1643 00	Strap:def tank	1

- 160
- 170
- 230
- 240
- 410
- 430
- 540
- 200
- 210
- 390
- 400
- 440
- 187
- 450
- 550

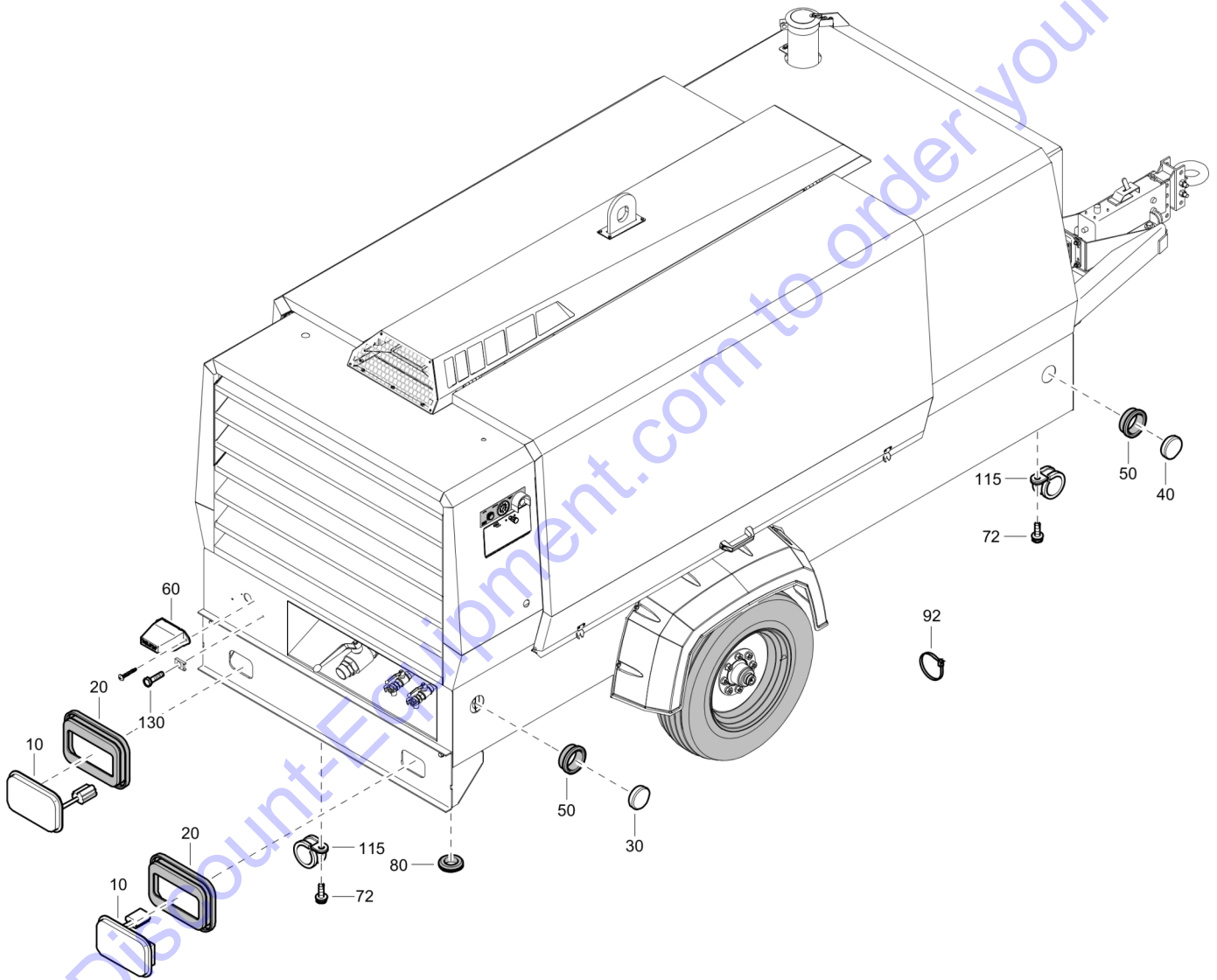


Id	Qty	Number	Name	Specifications
15	1	1310172600	PIPE:DEF FILL EXSTENSION	
110	2	1615566400	HEX. HEAD SCREW	
120	2	1310126600	STRAP:DEF TANK	
130	4	0147132603	HEX HEAD SCREW	
140	4	0301233500	PLAIN WASHER	
150	2	0266211000	HEXAGON NUT M8	
160	2	0147132303	HEX. HEAD SCREW M8 X 20	
170	2	0301233500	PLAIN WASHER	
180	2	1310183300	STRAP:DEF TANK	
185	1	1310164300	STRAP:DEF TANK 750 FT4	
187	1	0346100217	PIPE CLAMP	
200	2	0147132503	HEX. HEAD SCREW M8X25	
210	1	0301233500	PLAIN WASHER	
230	3	0147134003	SCREW	
240	3	0301233500	PLAIN WASHER	
282	11	0075402570	HOSE	
284	2	0347610400	HOSE CLAMP	
290	1	1310074330	TEE-RESTRICTOR:JD FT4 .50X.375	
292	10	0075402569	TUBE	
294	6	0347610500	HOSE CLAMP TYPE A D=16	
305	6	0075402500	HOSE:5/8 PUSHLOK	
307	6	0347610600	HOSE CLAMP	
310	1	1310074331	TEE-RESTRICTOR:JD FT4 .62X.375	
340	1	1310119900	DEF SPILL PA	
350	1	1310427000	Sleeve	
360	2	0347610019	Hose clamp	
370	7	1310030884	SCREW:M6 X 25 HEXHD SS	
380	7	1310030898	WASHER-FLAT:M6 SS	
390	1	1310036552	ADAPTER:M22 X 1/2"NPT	
400	1	1310073653	ADAPTER:M18X1.5 X 1/2-14NPTF	
410	1	0661100039	SEAL WASHER DOWTY 1/2"	
430	1	1310035195	Nipple	
440	1	1310074592	ELBOW:1/2"NPT X 1/2"BARB	
450	3	0291111000	LOCK NUT M8	
540	3	0147124603	HEX. BOLT M6X16X8.8	
550	3	0300013009	WASHER DIN 125 D6,4 A2	

Not Illustrated			
Ref	Part Number	Designation	Qty
210	1310163006	WIRE HARNESS	1

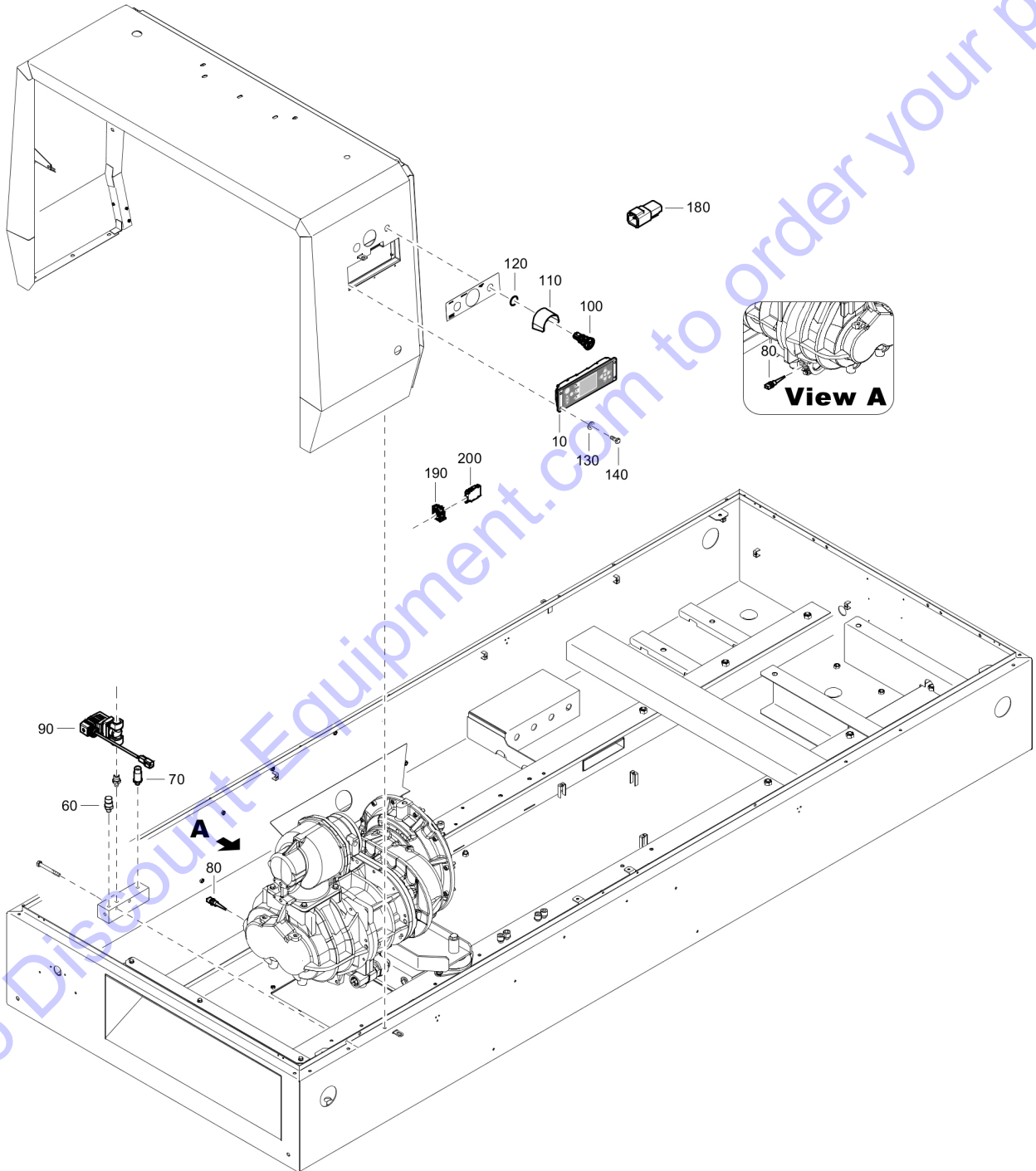


Id	Qty	Number	Name	Specifications
10	1	1310192200	LAMP: 24V RED, 0.75MOUNTING	
20	3	0301235800	PLAIN WASHER	
30	3	0147140103	SCREW DIN933 M12X30 8.8 ZN	
40	3	0346101244	CLAMP	
50	1	1310073654	SWITCH:BATTERY DISCONNECT 1P	
60	1	1310825100	CABLE: BATTERY	
70	1	1310035714	CABLE-BATTERY:1/0 AWG X 20.0"L	
80	1	1310600122	CABLE:BATT SW TO STARTER	
90	2	0266211100	HEXAGON NUT M10	
100	1	1088001902	CONTACT WASHER SPEC MD	
110	1	1310312862	BATTERY CABLE:NEGATIVE	
120	1	1310074335	CABLE-BATTERY:POS XAS 400JD	
130	1	1088001903	CONTACT WASHER	
140	1	0147139803	HEX. HEAD SCREW	
150	4	0129310200	RIVET	
160	4	0147125003	HEX. BOLT M6X30X8.8	
170	3	1619276600	SCR.BOLT M8X20	
180	1	0147132203	HEX. HEAD SCREW M8 X 16	
200	2	0147120403	HEX. HEAD SCREW	
210	1	1310163006	WIRE HARNESS:XAS 900 JD8 T4F	
220	1	1310072469	COVER:ECU CONNECTION	
230	8	0348010107	STRIP	
240	1	0346100210	CLAMP	
250	2	1619276600	SCR.BOLT M8X20	
260	3	0348010107	STRIP	
280	8	0348010107	STRIP	
300	9	0348010107	STRIP	
310	1	1615566400	HEX. HEAD SCREW	
320	2	1619276600	SCR.BOLT M8X20	
330	1	1615566400	HEX. HEAD SCREW	
380	1	1310600650	BRACKET:BATTERY QAS25/45	
390	2	0333222500	SPRING WASHER M8	
400	2	1310030977	WASHER-FLAT:M 8.40/21.0X4.0T	
410	1	1310074428	STRAP:GROUND 12"L X M12 HOLES	
420	1	0346100015	CLAMP-PIPE:M 8 1PIPE RUB COV	
430	1	1310187100	BOX:ELECTRICAL XATS 750 FT4	
440	1	1310074598	COVER:ELECTRICAL BOX XATS 750	
450	10	0147124703	HEX. BOLT M6X20X8.8	
460	10	0301232100	WASHER M6	
470	1	1310074140	ADAPTER:USB-A TO USB-B PE400	
480	1	1310074142	ADAPTER COVER:USB TYPE A	
490	1	1607852288	PRESSURE SENSOR	
500	2	1316021285	J-BOLT:1/4-20 X 9 ZINC PLT	
510	2	1316021286	NUT: 1/4-20 HEX NUT ZINC PLT	
520	2	1316021287	WASHER: 1/4 USS TYPE ZINC PLT	



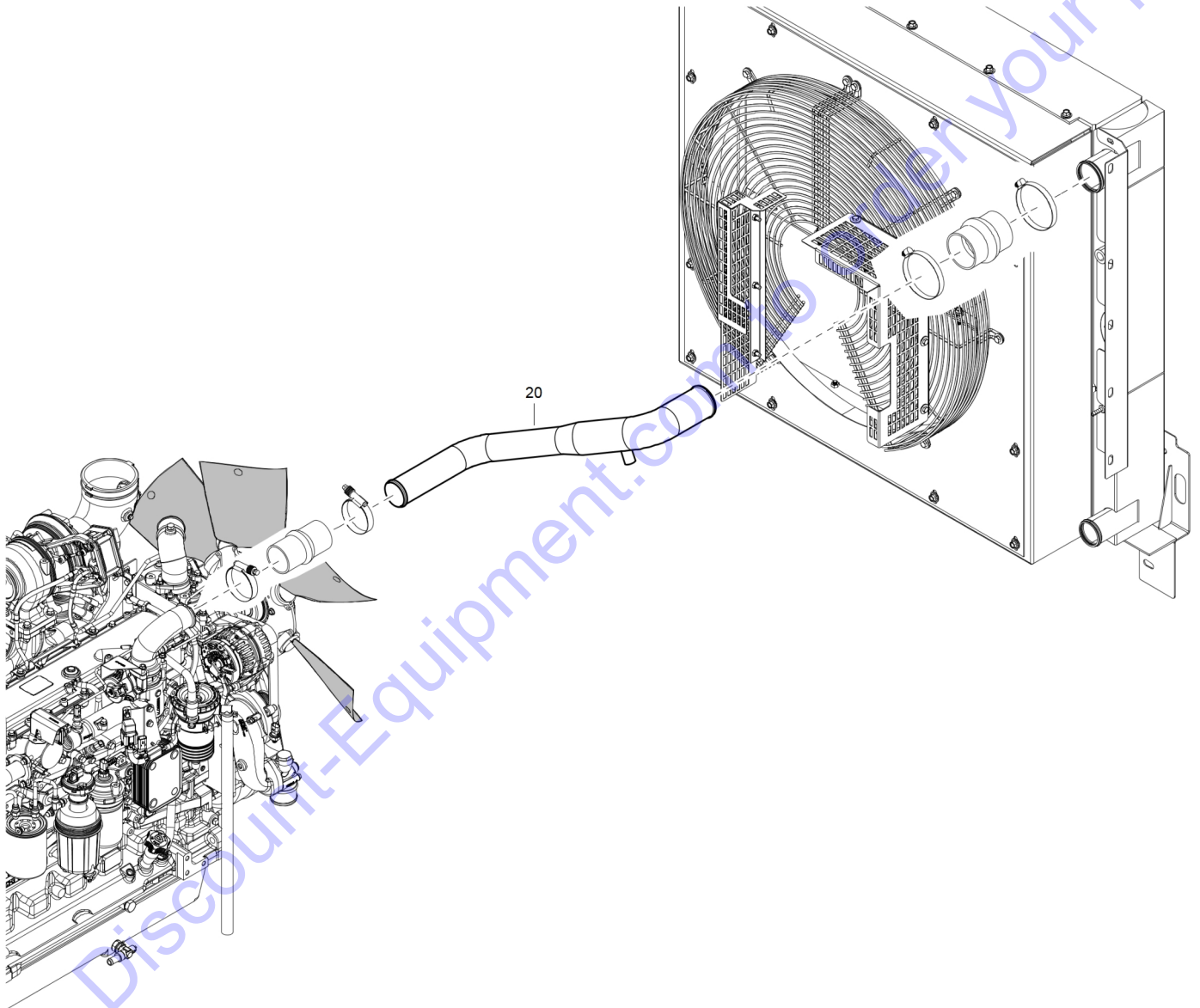
Id	Qty	Number	Name	Specifications
10	2	1310074138	Light	
20	2	1310074139	GROMMET:STOP/TURN LAMP RECT	
30	2	1310072932	LIGHT:LED SIDE MARKER RED	
40	2	1310072933	LIGHT:LED SIDE MARKER YELLOW	
50	4	1310415500	GROMMET:2" SIDE MARKER LIGHTS	
60	1	1310036971	LAMP:LICENSE PLATE	
72	7	1619589801	HEX. HEAD SCREW	
80	4	1310035574	GROMMET: 1.75ODX 1.0IDX .40THK	
92	11	0348010212	CABLE TIE: WITH FIR TREE MOUNT	
115	2	1613080100	CLAMP	
130	2	1310072496	SCREW: #6-32X .50L PHL PH \$STL	

Go to Discount-Equipment.com to order your parts



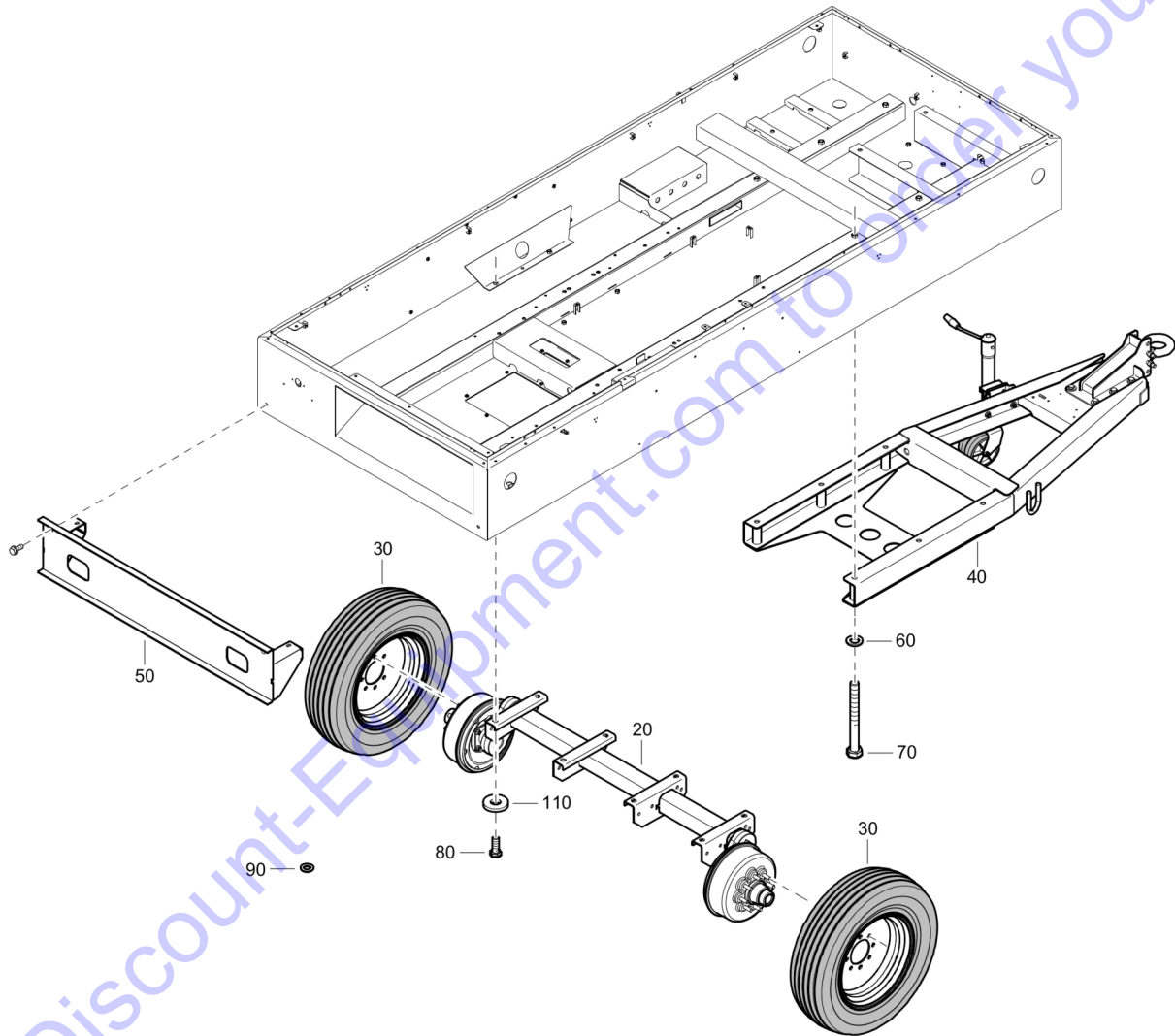
Id	Qty	Number	Name	Specifications
10	1	1626850007	CONTROLLER	
60	1	1607852291	PRESSURE SENSOR	
70	1	1607852293	PRESS. SENSOR:0 TO 3 BAR IP67	
80	1	1089057470	TEMPERATURE SENSOR	
90	1	1089063451	VALVE	
100	1	1310600560	SWITCH:E-STOP S2 QAS CUBICLE	
110	1	1316010308	COLLAR-PROTECTIVE	
120	1	0663612700	O-RING	
130	4	0301233500	PLAIN WASHER	
140	4	0147124603	HEX. BOLT M6X16X8.8	
180	1	1310148300	CONNECTOR:WIRING AIRXPERT SOL	
190	1	1310600562	SWITCH-HOLDER:METAL	
200	1	1310600563	SWITCH,CONTACT BLOCK,S2:NO&NC	

Go to Discount-Equipment.com to order your parts



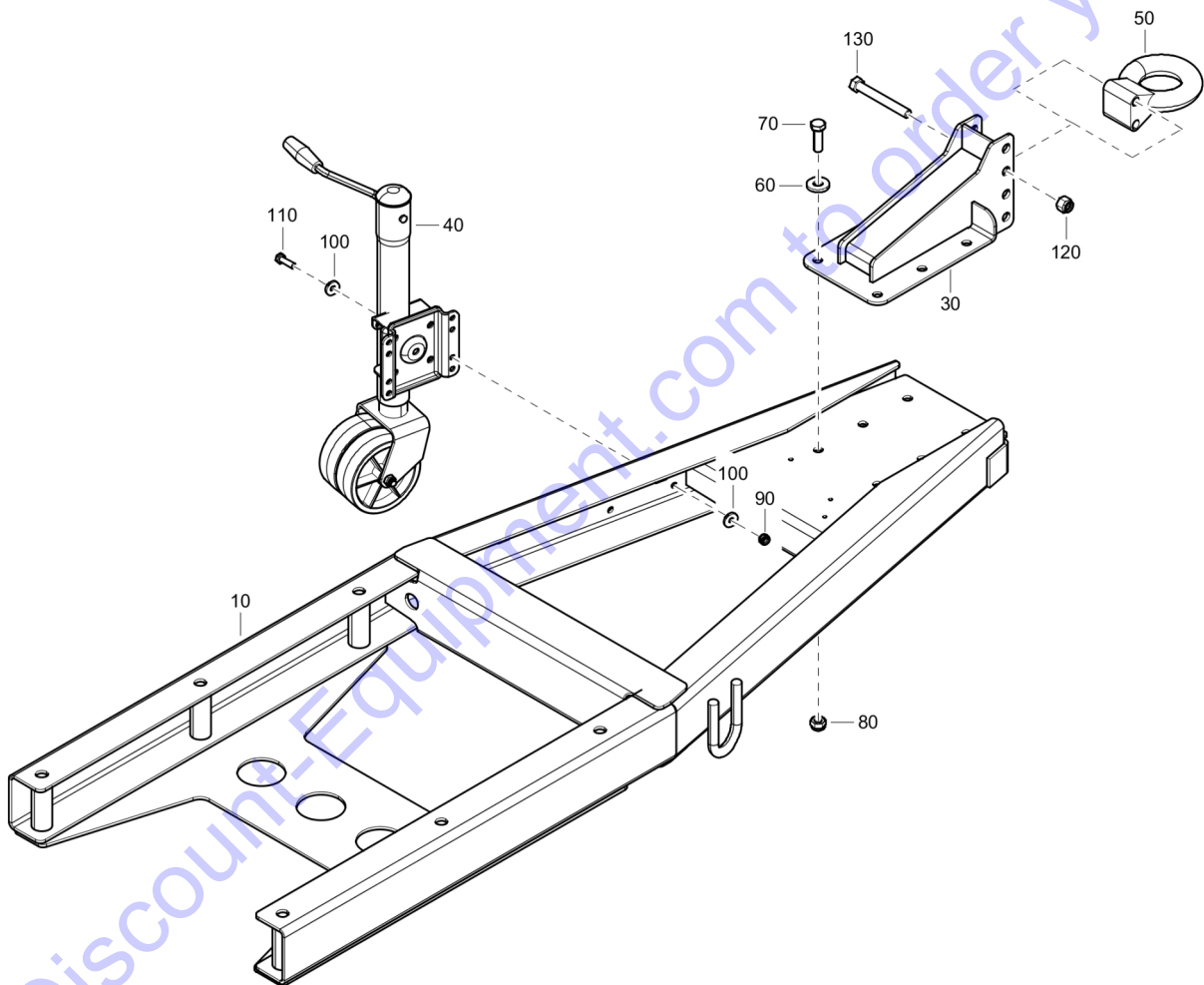
Id	Qty	Number	Name	Specifications
10	1	1310620250	PIPE:CAC INLET TO ENGINE	

Go to Discount-Equipment.com to order your parts



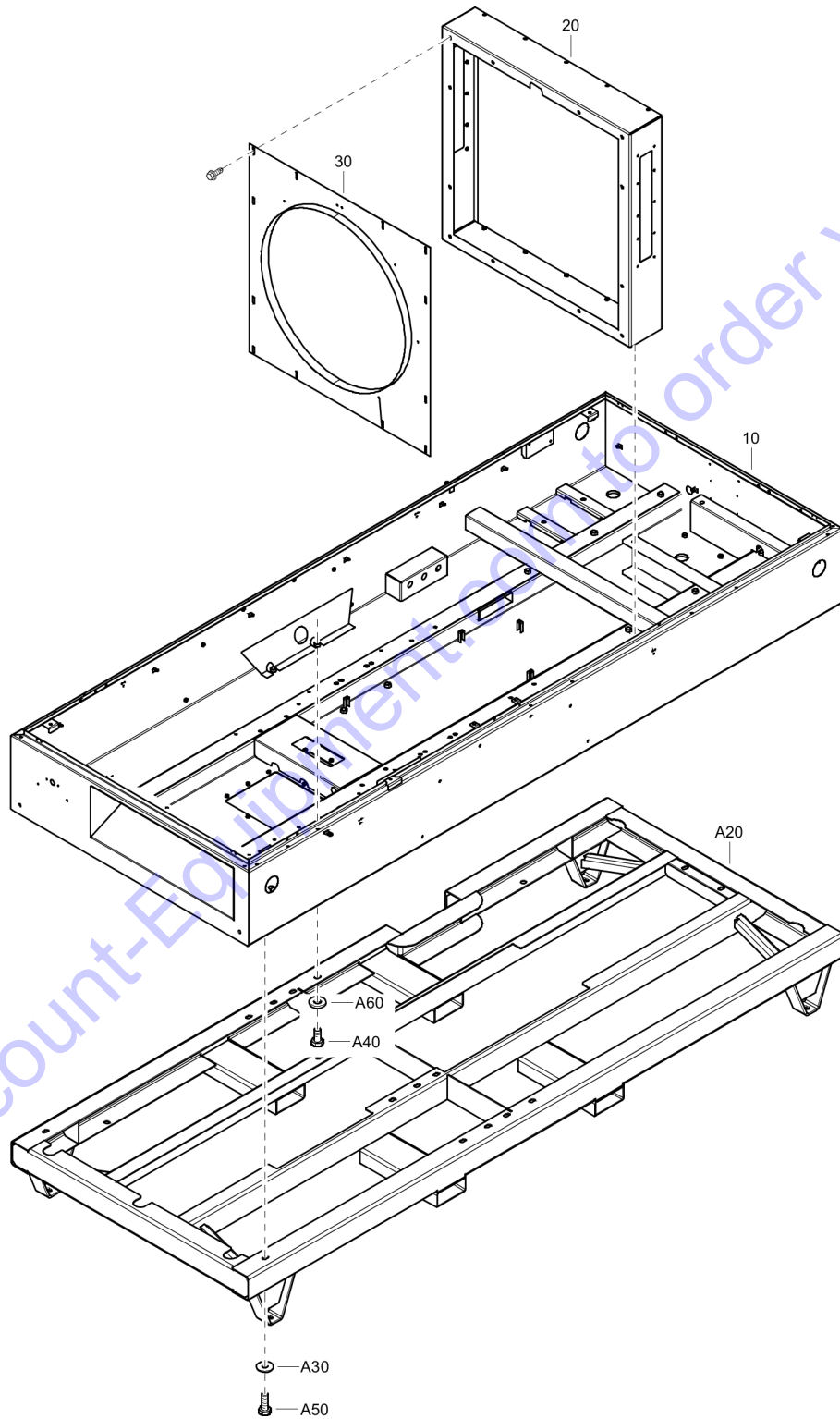
Id	Qty	Number	Name	Specifications
20	1	1310159710	AXLE ASY:XA(T)S 750 FT4 EB	
30	2	1310082763	TIRE ASY: SAILUN 215/75 R17.5	
40	1	1310154085	ASY:RH ELEC BRAKE DEXTER AXLE	
50	1	1310164800	BUMPER:S2LP JD FT4	
60	6	0301237800	PLAIN WASHER(A) 17 X 30 X 3	
70	6	0147149503	SCREW:M16X150;HEX HD,ZN PLT,\$S	
80	12	0147140103	SCREW DIN933 M12X30 8.8 ZN	
90	4	0301235800	PLAIN WASHER	
110	8	0300027667	WASHER-FLAT:M13.0/37.0X3.0T	

Go to Discount-Equipment.com to order your parts



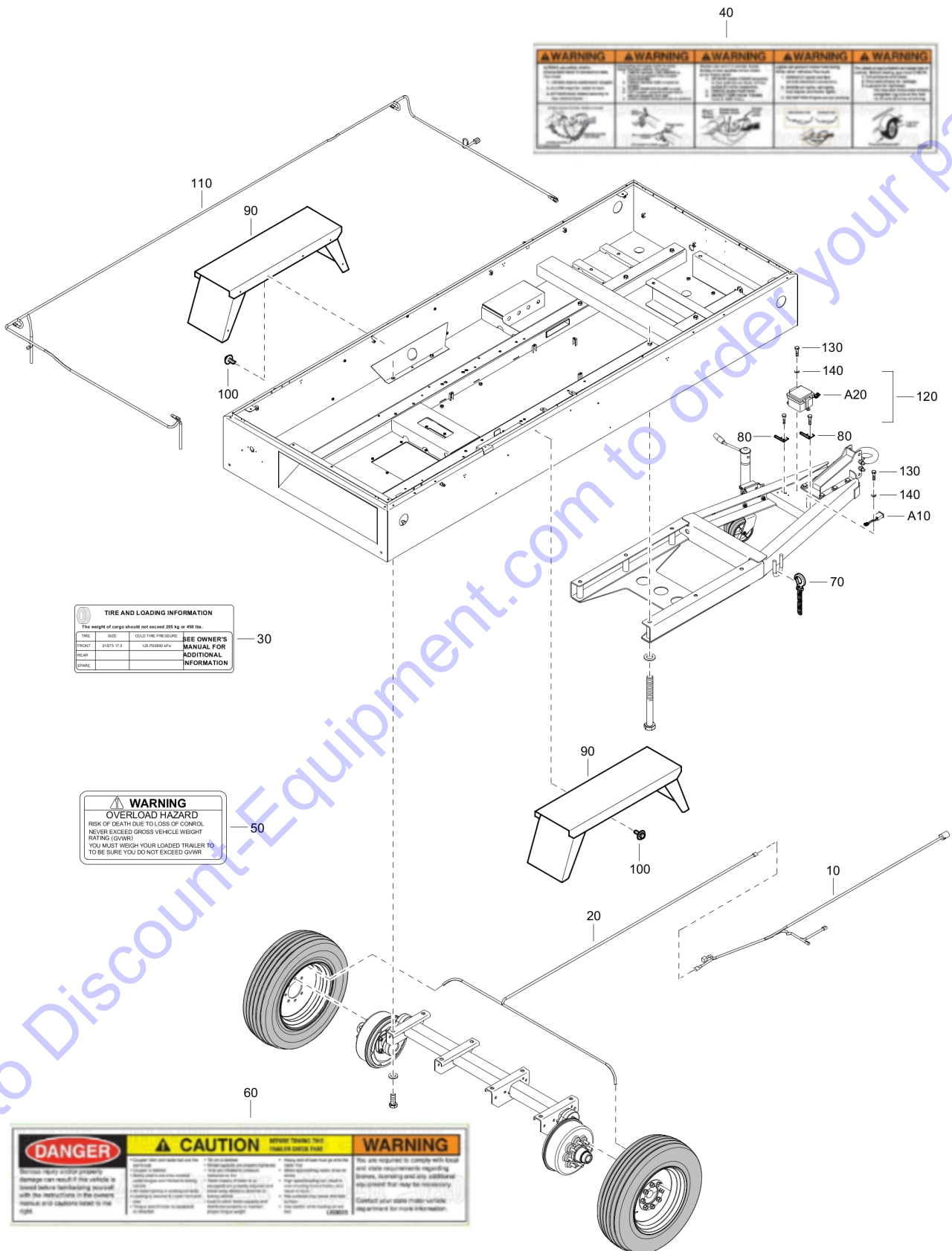
Id	Qty	Number	Name	Specifications
10	1	1310154000	TOWBAR:XATS 750 JD FT4	
30	1	1310648803	TOW HITCH: EB	
40	1	1310070004	JACK ASSEMBLY	
50	1	1310070006	LUNETTE EYE-	
60	6	0300027623	PLAIN WASHER	
70	6	0147147903	HEX. HEAD SCREW	
80	6	0291111400	LOCKNUT	
90	4	0291111100	LOCK NUT M10	
100	4	0300027493	WASHER	
110	4	0147136403	HEX. BOLT M10X35X8.8	
120	2	1310073403	Nut	
130	2	0144346103	SCREW: .625-11X 4.50L HXHD,ZN	

Go to Discount-Equipment.com to order your parts



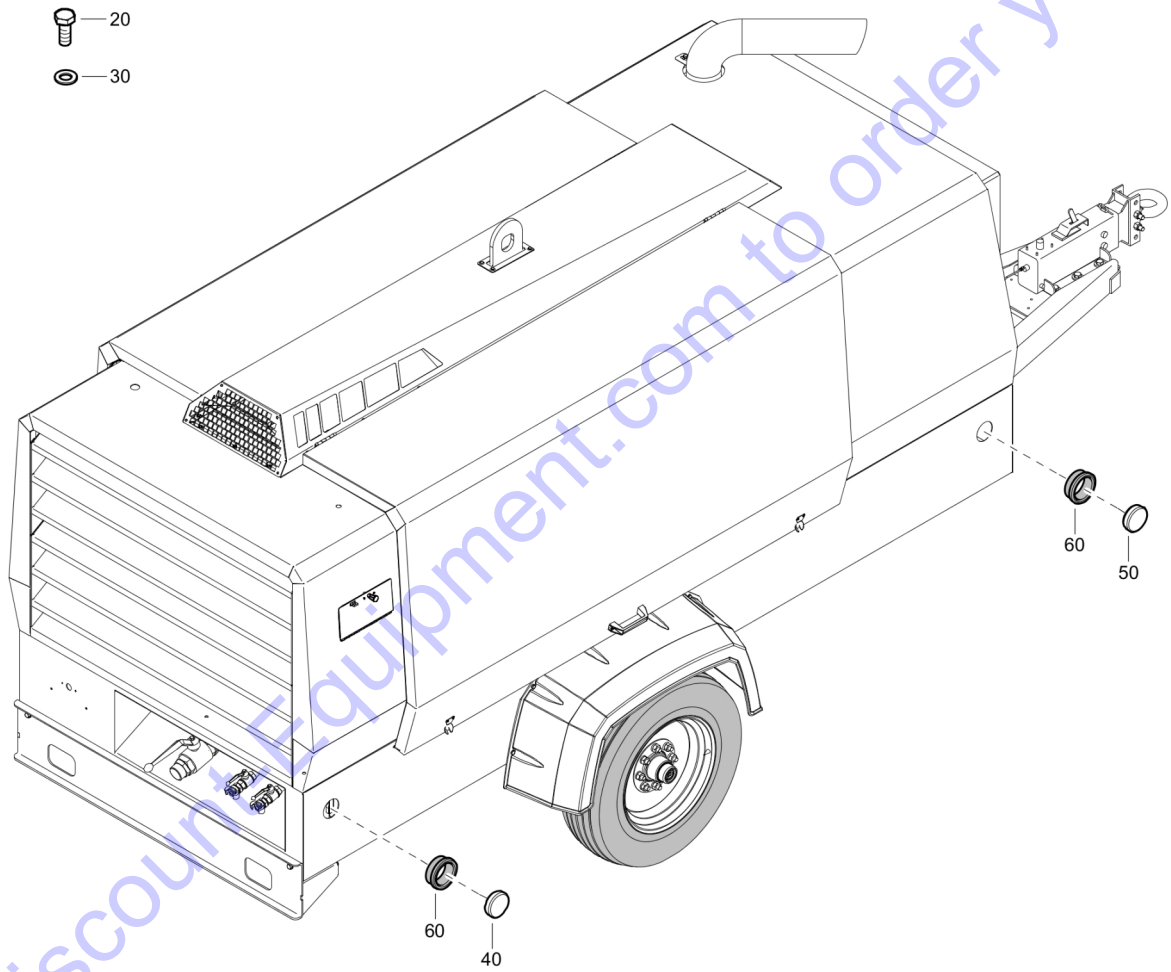
Id	Qty	Number	Name	Specifications
10	1	1310083910	FRAME KIT:XAS750 JD FT4 SKD BK	
20	1	1310681826	FAN SHROUD:S2LP FT4	
30	1	1310681830	FAN RING:S2LP IT4	
40	1	1310616950	COVER:OUTLET MANIFOLD CPS750	

Go to Discount-Equipment.com to order your parts



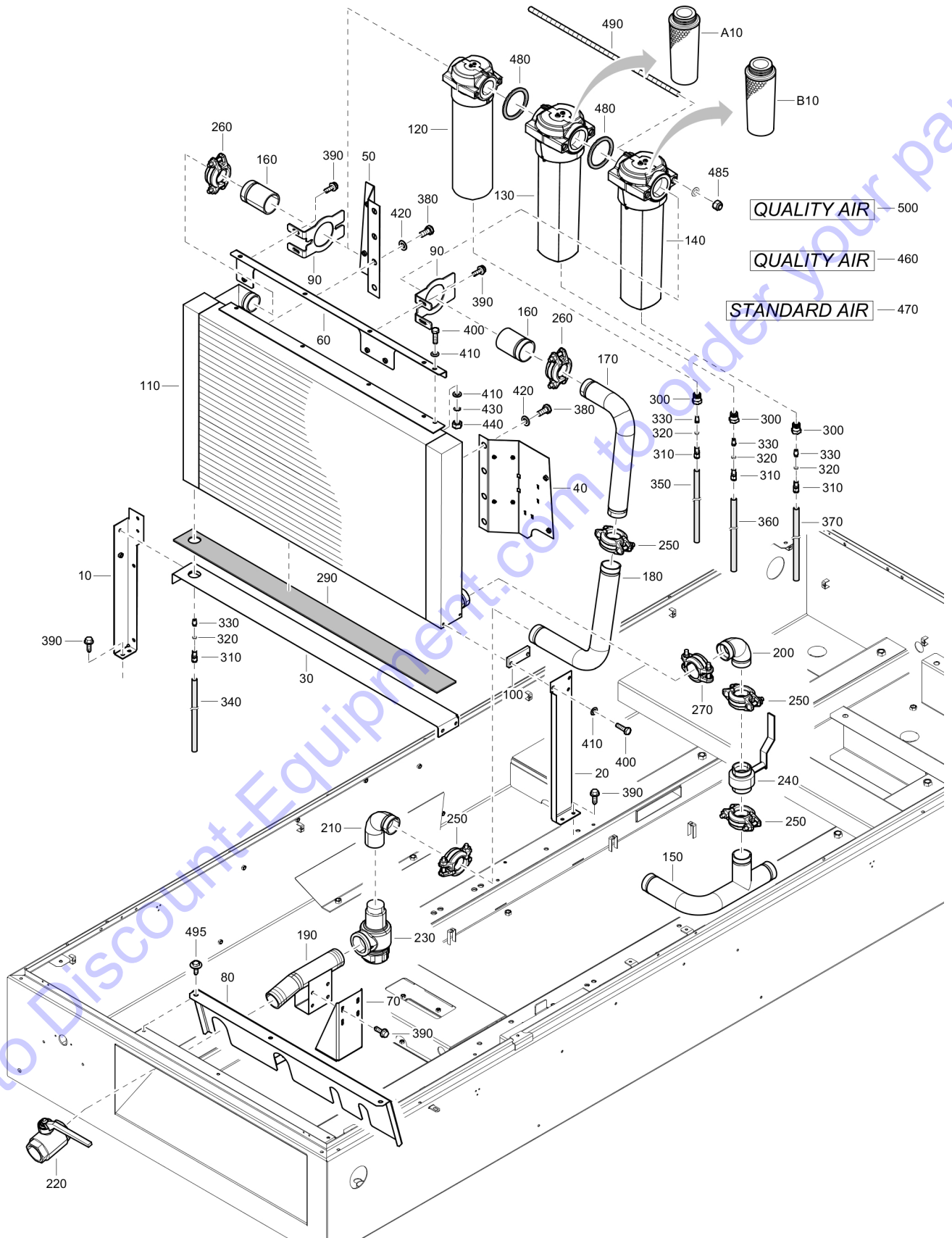
Id	Qty	Number	Name	Specifications
10	1	1310172110	WIRING HARNESS:RL EB (FRONT)	
20	1	1310172131	WIRING HARNESS:EB BRAKES	
30	1	1310074807	LABEL:TIRE & LOAD XAS S2LP FT4	
40	1	1310074809	LABEL:TOWING CAUTION	
50	1	1310074810	Lst stickers	
60	1	1310074811	LABEL:DANGER/CAUTION/WARNIN G	
70	2	1310033046	CHAIN/EYE ASY:XAS175JD	
80	2	1310740100	CONNECTOR:SAFETY CHAIN	
90	2	1310193303	FENDER:XAS S2LP STEEL	
100	12	1615566400	HEX. HEAD SCREW	
110	1	1310172120	WIRING HARNESS:RL MAIN SECTION	
120	1	1310600218	KIT:TRAILER BREAKAWAY	
130	4	0147124703	HEX. BOLT M6X20X8.8	
140	4	0301232100	WASHER M6	

Go to Discount-Equipment.com to order your parts



Id	Qty	Number	Name	Specifications
20	12	0147140103	SCREW DIN933 M12X30 8.8 ZN	
30	12	0301235800	PLAIN WASHER	
40	2	1310073054	LIGHT:LED SIDE MARKER RED	
50	2	1310073055	LIGHT:LED SIDE MARKER YELLOW	
60	4	1310073076	GROMMET:MARKER LAMP PM B142 -18	

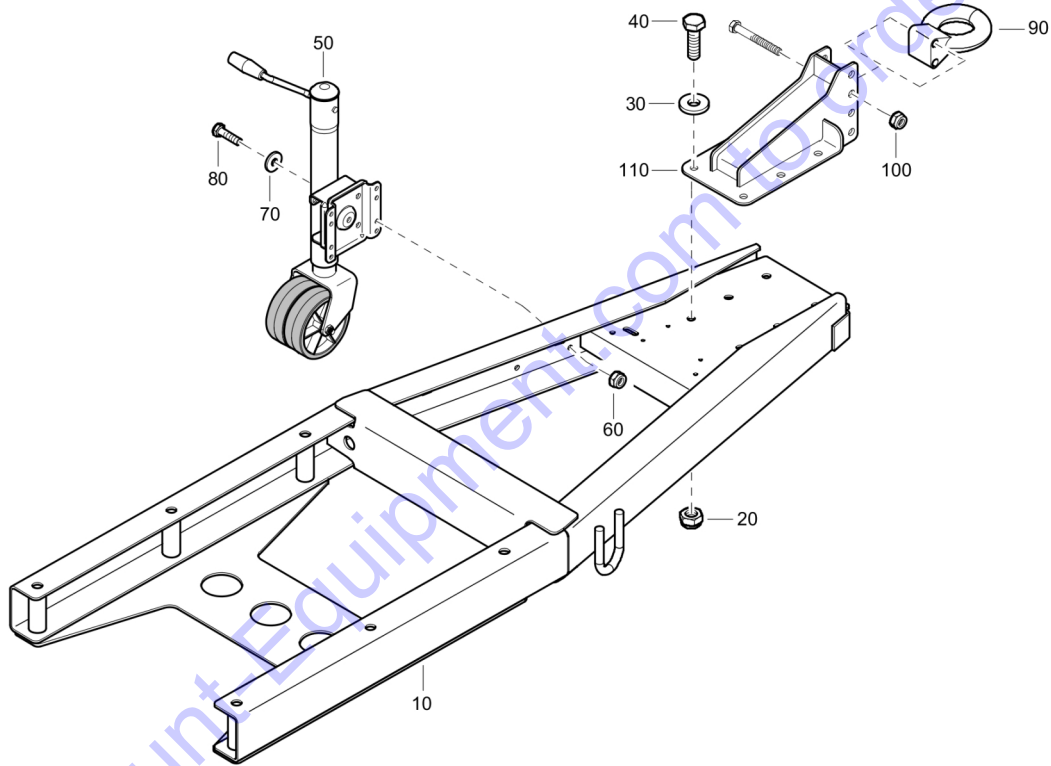
Go to Discount-Equipment.com to order your parts



Id	Qty	Number	Name	Specifications
10	1	1310468801	SUPPORT:LOWER L AFTCOOLER S2LP	
20	1	1310469001	SUPPORT:LOWER R AFTCOOLER S2LP	
30	1	1310468900	SUPPORT:BOTTOM AFTCOOLER S2LP	
40	1	1310469102	SUPPORT:SIDE R AFTCOOLER S2LP	
50	1	1310469200	SUPPORT:SIDE L AFTCOOLER S2LP	
60	1	1310469311	SUPPORT:FILTERS A/C TOP S2LP	
70	1	1310692901	SUPPORT: AIR OUT S2LP	
80	1	1310697000	COVER:DUAL OUTLET MANIF S2LP	
90	2	1310705111	BRACKET:PFF FILTERS XAS S2LP	
100	1	1626107900	SPACER	
110	1	1092337000	COOLER AFTER	
120	1	1310704700	WATER SEPARATOR:S2LP JD	
130	1	1310704800	FILTER:DD S2LP JD	
A10	1	1310704810	FILTER:ELEMENT DD SERVICE	
140	1	1310704900	FILTER:PD S2LP JD	
B10	1	1310704910	FILTER:ELEMENT PD SERVICE	
150	1	1310692701	PIPE:INLET S2LP A/C DUAL	
160	2	1310702900	NIPPLE:2-1/2NPT TO 2-1/2VICTAU	
170	1	1310703041	PIPE:OUTLET TOP A/C S2LP JD/CD	
180	1	1310703011	PIPE:OUTLET BOT A/C S2LP JD	
190	1	1310691401	PIPE:AIR OUT S2LP DUAL OUTLET	
200	1	1310072969	ELBOW:2IN GROOVED PIPE 90 DEG	
210	1	1310072968	ELBOW-ADAPTER:2" GRV X 2" BSPT	
220	1	0852001028	BALL VALVE	
230	1	1604133901	MIN. PRESSURE VALVE	
240	1	1310072967	VALVE-BUTTERFLY:2IN PIPE GRV	
250	4	0634100084	PIPE COUPLING	
260	2	1310701900	COUPLING:REDUCING 2-1/2"TO2"	
270	1	1604179201	CLAMP	
290	1	1626052100	PAD	
300	3	0605835093	FITTING	
310	4	1615861902	COUPLING	
320	4	1615862000	RESTRICTOR	
330	4	0803501210	SILENCER	
340	1	0070600205	PLASTIC TUBE	
350	1	0070600205	PLASTIC TUBE	
360		0070600205	PLASTIC TUBE	
370		0070600205	PLASTIC TUBE	
380	9	0147132203	HEX. HEAD SCREW M8 X 16	
390	21	1619276600	SCR.BOLT M8X20	
400	7	0147132503	HEX. HEAD SCREW M8X25	
410	13	0301233500	PLAIN WASHER	
420	8	0300801900	WASHER M8	
430	5	0333322700	LOCK WASHER	
440	5	0266211000	HEXAGON NUT M8	

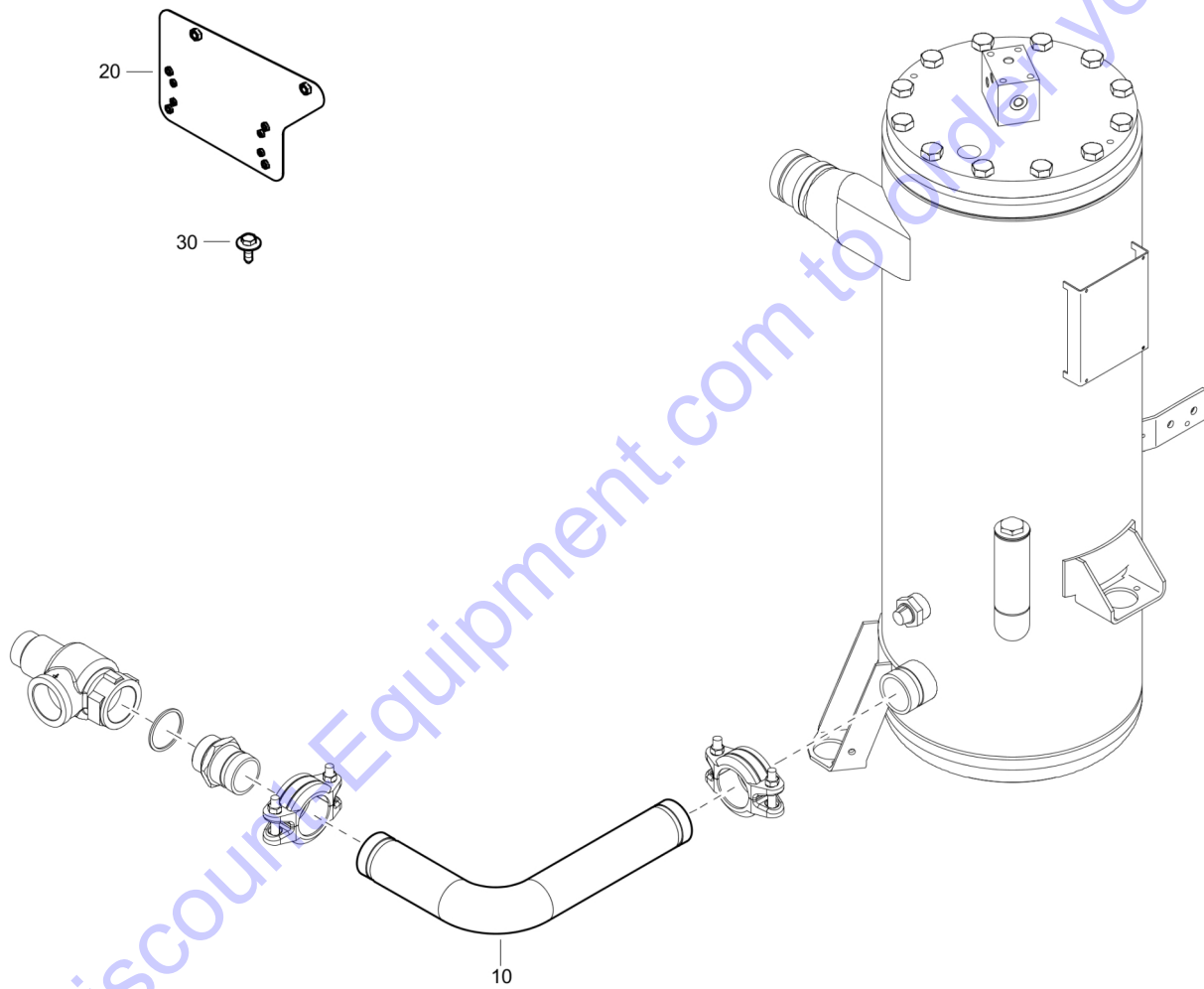
Id	Qty	Number	Name	Specifications
460	1	1310035605	LABEL:QUALITY AIR SMALL STR	
470	1	1310035606	LABEL:STD AIR SMALL STRAIGHT	
480	2	1310705252	GASKET:S2LP JD AFTERCLR FILTER	
485	4	1310076196	NUT:M12X1.75 FLANGED LOCKNUT	
490	2	1310705230	ROD:M12 THREADED X 21.5"L	
495	8	1615566400	HEX. HEAD SCREW	
500	2	1310677100	LABEL:QUALITY AIR (PFF)	

Go to Discount-Equipment.com to order your parts



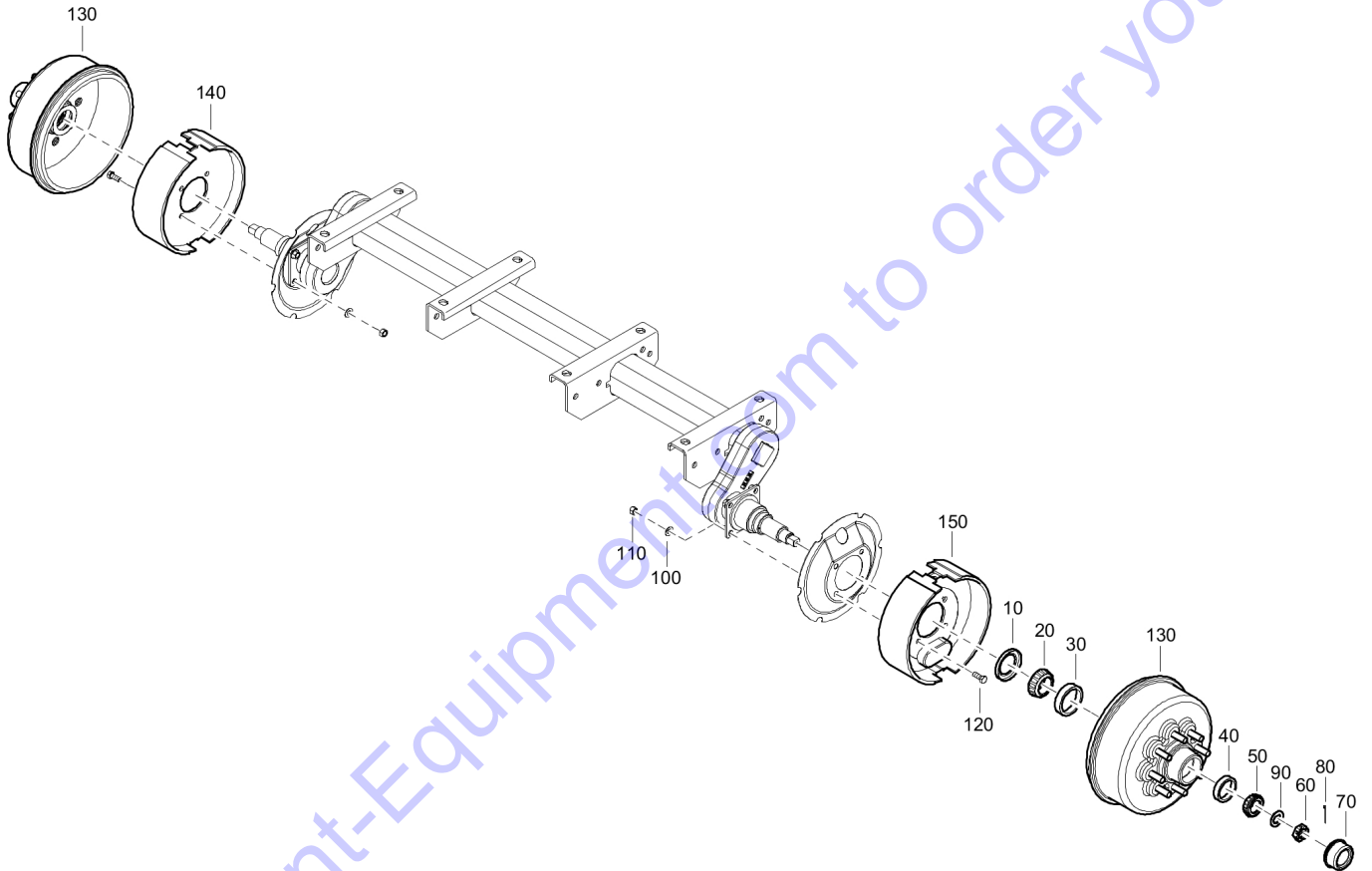
Id	Qty	Number	Name	Specifications
10	1	1310154000	TOWBAR:XATS 750 JD FT4	
20	6	0291111400	LOCKNUT	
30	6	0300027623	PLAIN WASHER	
40	6	0147147903	HEX. HEAD SCREW	
50	1	1310070004	JACK ASSEMBLY	
60	4	0291111100	LOCK NUT M10	
70	8	0300027493	WASHER	
80	4	0147136403	HEX. BOLT M10X35X8.8	
90	1	1310070006	LUNETTE EYE-	
100	2	0292131000	Locknut	
110	1	1310648800	HITCH:TOWBAR FOR EB BRAKE	

Go to Discount-Equipment.com to order your parts



Id	Qty	Number	Name	Specifications
10	1	1604993103	PIPE AIR OUTLET	
20	1	1310469110	BRACKET:TELEMATICS S2LP	
30	2	1615566400	HEX. HEAD SCREW	

Go to Discount-Equipment.com to order your parts



Id	Qty	Number	Name	Specifications
10	2	1310159731	SEAL:DEXTER AXLE	
20	2	1310159732	CONE:INNER BEARING DEXTER AXLE	
30	2	1310159733	CUP:INNER BEARING DEXTER AXLE	
40	2	1310159734	CUP:OUTER BEARING DEXTER AXLE	
50	2	1310159735	Cone	
60	2	1310159736	NUT:SPINDLE DEXTER AXLE	
70	2	1310159737	CAP:EZ LUBE DEXTER AXLE	
80	2	1310159738	Pin	
90	2	1310159739	WASHER:SPINDLE DEXTER AXLE	
100	8	1310159740	LOCKWASHER:BRAKE ASY DEXTER	
110	8	1310159743	NUT:BRAKE ASY DEXTER AXLE	
120	8	1310159744	BOLT:BRAKE ASY DEXTER AXLE	
130	2	1310159745	HUB:GREASE 8-9/16+ STUD DEXTER	
140	1	1310159746	ASY:LH ELEC BRAKE DEXTER AXLE	
150	1	1310159747	ASY:RH ELEC BRAKE DEXTER AXLE	

Go to Discount-Equipment.com to order your parts

Part no	Part no	Part no	Part no	Part no	Part no
	1310133495		2911992100		2911992100
	2911992100		2911992100		2911992100
	2911992100		2911992100		1310923208
	2911014900		2911014900		2911014900
	2911014900		1310133495		1310629981
	2911014900		1310923208		2911992100
	2911992100		1310133495		1310133595
	1310133595		1310133595		1310133495
	1310322446		2911992100		1310923196
	1310923196		1310923196		1310923387
	1310923196		1310923196		1310923208
	1310923196		1310923208		1310629981
	2911016900		1310174681		1310923290
	2911016900		2911016900		2911016900
	Engine_oil_Genoil		2911016900		2911016900
	2911016900		2911016900		Compressor_oil_Geno
	Compressor_oil_Geno		1310133495		1310923208
	1310923208		Compressor_oil_Geno		2911011203
	1310923208		1310923208		Engine_oil_Genoil
	1310923208		1310923208		Engine_oil_Genoil
	2911011203	0070600205	1310924309	0070600205	1310924309
0070600205	1310924309	0070600205	1310924309	0071840290	1310923188
0071840290	1310923188	0071840290	1310923188	0075402500	1316020070
0075402500	1310322472	0075402569	1310322472	0075402569	1316020070
0075402570	1316020070	0075402570	1310322472	0101162600	1310312816
0129310200	1310978700	0129310300	1310923387	0129317201	1310133595
0129317201	1310133580	0129317400	1310923386	0129317400	1310923386
0129317400	1310923386	0144328703	1310322446	0144328803	1310322446
0144328803	1310322446	0144328803	1310322446	0144346103	1310154085
0147110740	1310312961	0147120403	1310978700	0147120703	1310924217
0147120703	1310611281	0147120703	1310924217	0147121403	1310923386
0147124403	1310312816	0147124603	1310322473	0147124603	1310611281
0147124603	1310322472	0147124703	1310923729	0147124703	1310923609
0147124703	1310923219	0147124703	1310978700	0147124703	1310923609
0147124703	1310312961	0147124703	1310923122	0147124703	1310923234
0147124903	1310923729	0147124903	1626105283	0147125003	1310978700
0147132203	1310322443	0147132203	1310174681	0147132203	1310978700
0147132203	1310923609	0147132203	1310174681	0147132203	1310924309
0147132503	1310322446	0147132203	1310923219	0147132303	1310322472
0147132503	1310322472	0147132503	1310924309	0147132603	1310322472
0147132703	1626215381	0147132803	1310923729	0147132803	1310322275
0147132903	1310923219	0147132903	1310923609	0147132903	1310923609
0147133403	1310923290	0147133603	1310174681	0147134003	1310322472
0147136203	1310312961	0147136203	1310312961	0147136303	1310312816
0147136303	1310312961	0147136303	1310312961	0147136303	1310312961
0147136303	1310312961	0147136403	1310154085	0147136403	1310154086
0147136503	1310312961	0147136503	1310312816	0147136503	1310312816
0147139803	1310322446	0147139803	1310923729	0147139803	1310978700
0147140015	1310322441	0147140015	1310923729	0147140015	1310322441
0147140015	1310322441	0147140103	1310322446	0147140103	1310083800
0147140103	1310322441	0147140103	1310978700	0147140103	1310082700
0147140103	1310923407	0147140103	1310083810	0147140103	1310923729
0147140815	1310312816	0147140815	1310312816	0147147703	1310923729
0147147903	1310154086	0147147903	1310154085	0147147903	1310322441
0147148003	1310174681	0147148903	1310322441	0147148903	1310322441
0147149503	1310082700	0147149503	1310083800	0147149503	1310083810
0211110202	1310923219	0211117303	1310923609	0211141700	1310312816
0211195935	1310923188	0211196080	1310312816	0211196407	1310312816
0211528700	1310312816	0216132403	1310611281	0216132403	1310611295
0246124002	1310923609	0263310410	1310923386	0263321500	1310923122
0266210800	1310923609	0266210800	1310923219	0266210800	1310923609
0266211000	1310924309	0266211000	1310322472	0266211100	1310923609

Part no	Part no	Part no	Part no	Part no	Part no
0266211100	1310978700	0268413822	1626105283	0291110700	1310923386
0291110800	1310923729	0291111000	1310923386	0291111000	1310923290
0291111000	1310322472	0291111100	1310154086	0291111100	1310154085
0291111400	1310154086	0291111400	1310154085	0292131000	1310154086
0300013009	1310322472	0300027491	1310322446	0300027493	1310154085
0300027493	1310154086	0300027623	1310923219	0300027623	1310154085
0300027623	1310154086	0300027667	1310083800	0300801900	1310924309
0300801900	1310923386	0301231800	1310611281	0301232100	1310312961
0301232100	1310923729	0301232100	1310923609	0301232100	1310923729
0301232100	1310923609	0301232100	1310923219	0301232100	1310924217
0301232100	1310978700	0301232100	1310923234	0301232100	1310924217
0301232100	1310923122	0301232100	1310322441	0301233500	1310174681
0301233500	1310322473	0301233500	1310923609	0301233500	1310322472
0301233500	1310923188	0301233500	1310322472	0301233500	1310923219
0301233500	1310923290	0301233500	1626215381	0301233500	1310322472
0301233500	1310322472	0301233500	1310923729	0301233500	1310924309
0301233500	1310322443	0301234400	1310312961	0301234400	1310312961
0301234400	1310312961	0301234400	1310923609	0301234400	1310312961
0301234400	1310312961	0301234400	1310312961	0301234400	1310312961
0301235800	1310082700	0301235800	1310083810	0301235800	1310083800
0301235800	1310322446	0301235800	1310978700	0301235800	1310923729
0301237800	1310083800	0301237800	1310923407	0301237800	1310174681
0333217422	1310923219	0333222500	1310083810	0301237800	1310082700
0333322700	1310924309	0333322700	1310978700	0333322700	1310312961
0333520009	1310322441	0333322700	1310322443	0333323200	1310923609
0333520009	1310322441	0333520009	1310322441	0333520009	1310322441
0337229323	1310312816	0335216000	1310312816	0337229323	1310312816
0346100210	1310978700	0346100015	1310978700	0346100207	1310923122
0347610019	1310322472	0346100217	1310322472	0346101244	1310978700
0347610400	1310923188	0347610022	1310322443	0347610400	1310923729
0347610400	1310923188	0347610400	1310322472	0347610400	1310923188
0347610400	1310923188	0347610500	1310322472	0347610500	1310923729
0347610500	1310923122	0347610600	1316020070	0347610600	1310322472
0347610900	1310322443	0347611900	1310322275	0347612100	1310322275
0347612200	1310322275	0348010107	1310978700	0348010107	1310978700
0348010107	1310978700	0348010107	1310978700	0348010212	1310923104
0506010009	1310312816	0508115801	1310312816	0517142000	1626105283
0560100904	1310923609	0575001204	1310923290	0575010211	1310923290
0575010240	1310923290	0575010240	1310923290	0575010240	1310923290
0575010240	1310923290	0575010240	1310923290	0575032149	1310312961
0581000047	1310312961	0581000052	1310312961	0581002801	1310923290
0581002801	1310923290	0581002801	1310923290	0581002801	1310923290
0581122804	1310923290	0581122804	1310923290	0581122804	1310923290
0581122804	1310923290	0581122804	1310923290	0581122804	1310923290
0581122804	1310923290	0581122804	1310923290	0581122804	1310923290
0581122804	1310923290	0581122804	1310923290	0581122804	1310923290
0581122804	1310923290	0603410203	1310923290	0603415021	1310923219
0603415021	1310923609	0603415056	1310923609	0603415056	1310923219
0603420031	1310923219	0603420031	1310923609	0605835093	1310924309
0605870062	1310923290	0605881406	1310923290	0605881406	1310312961
0623210009	1310923219	0623210009	1310923609	0634100084	1310924309
0653104300	1310923290	0653104300	1310923290	0653104300	1310923290
0653106200	1310923609	0653106200	1310312816	0653106200	1310923290
0653106200	1310923290	0653106200	1310923290	0653106200	1310923290
0653106200	1310923290	0653106200	1310312961	0653106200	1310923219
0653112400	1310923290	0653112800	1310312961	0653118900	1310923290
0653122700	1310174681	0653129300	1310923219	0653129300	1310923609
0661100024	1310322275	0661100024	1310312961	0661100027	1310174681
0661100030	1310923609	0661100038	1310312961	0661100039	1310322472
0661100039	1310923290	0661100044	1310312961	0661100060	1310312816
0663210561	1626105283	0663210643	1310312816	0663210971	1310312816
0663210978	1310312816	0663210979	1310174681	0663211146	1310312816
0663213500	1626105283	0663311700	1310312816	0663313100	1310312961

Part no	Part no	Part no	Part no	Part no	Part no
0663313100	1310312961	0663313100	1310312961	0663313100	1626105283
0663313100	1310312961	0663313100	1310312961	0663313200	1626105283
0663313400	1310174681	0663611200	1626105283	0663612700	1310322473
0663713400	1310312961	0663713800	1310923219	0663713800	1310923609
0663714700	1310312816	0663986800	1310312961	0686260600	1626215381
0686371601	1310312816	0686371601	1310312961	0686371601	1310923609
0686371601	1310923219	0686371602	1310174681	0686371607	1310312816
0686371647	1310923290	0686420103	1310923290	0686420103	1310923290
0686612600	1310312816	0686613000	1310312816	0686925275	1310923219
0686925275	1310923609	0803501210	1310924309	0823000019	1310923290
0852001028	1310924309	0852001028	1310923609	0852001028	1310923219
0852001098	1310923219	0852001098	1310923609	1079990249	1310074813
1079990551	1310074813	1079992000	1310074813	1088001902	1310978700
1088001903	1310978700	1088130105	1310923290	1089057470	1310322473
1089060705	1310322275	1089063451	1310322473	1089065906	1310923188
1092037369	1310322275	1092101590	1310312961	1092337000	1310924309
1202867300	1310611281	1202867300	1310611295	1310030162	1310322443
1310030283	1310074813	1310030383	1310322446	1310030384	1310322446
1310030384	1310322446	1310030384	1310322446	1310030384	1310322446
1310030400	1310923122	1310030609	1310082700	1310030884	1310322472
1310030898	1310322472	1310030915	1310923387	1310030961	1310083810
1310030976	1310923219	1310030977	1310978700	1310031198	1310322443
1310031198	1310322443	1310031198	1310322443	1310031198	1310322443
1310031198	1310322443	1310031198	1310322443	1310031324	1310074813
1310032151	1310322446	1310032384	1310322443	1310032787	1310611281
1310033046	1310923234	1310035195	1310322472	1310035372	1310923387
1310035495	1310074813	1310035525	1310322446	1310035574	1310923104
1310035581	1310923729	1310035605	1310924309	1310035606	1310924309
1310035639	1310322441	1310035695	1310074813	1310035714	1310978700
1310036276	1310923729	1310036552	1310322472	1310036557	1310322446
1310036557	1310322443	1310036971	1310923104	1310037004	1310322443
1310037005	1310322443	1310037005	1310322443	1310050206	1310923729
1310050220	1310923729	1310050537	1310923729	1310070004	1310154086
1310070004	1310154085	1310070006	1310154086	1310070006	1310154085
1310070141	1310074813	1310070800	1310923387	1310072012	1310923729
1310072300	1310322443	1310072303	1310322443	1310072307	1310322443
1310072311	1310322443	1310072342	1310923188	1310072342	1310923188
1310072343	1310923729	1310072345	1310923188	1310072347	1310322275
1310072348	1310322443	1310072400	1310923729	1310072407	1310923188
1310072432	1310923729	1310072469	1310978700	1310072496	1310923386
1310072496	1310923104	1310072868	1310923729	1310072869	1310923729
1310072870	1310923729	1310072881	1310923729	1310072903	1310923122
1310072919	1310322446	1310072920	1310322446	1310072932	1310923104
1310072933	1310923104	1310072967	1310924309	1310072968	1310924309
1310072969	1310924309	1310073054	1310923407	1310073055	1310923407
1310073076	1310923407	1310073095	1310923219	1310073201	1310923729
1310073403	1310154085	1310073653	1310322472	1310073654	1310978700
1310073983	1310923386	1310074038	1310923729	1310074107	1310923122
1310074138	1310923104	1310074139	1310923104	1310074140	1310978700
1310074142	1310978700	1310074223	1310074099	1310074224	1310074099
1310074227	1310074099	1310074228	1310923731	1310074228	1310923729
1310074228	1310075314	1310074228	1310074099	1310074229	1310074099
1310074330	1310322472	1310074331	1310322472	1310074335	1310978700
1310074428	1310978700	1310074428	1310923219	1310074469	1310923122
1310074470	1310923122	1310074472	1310923122	1310074592	1310322472
1310074598	1310978700	1310074622	1310074099	1310074623	1310074099
1310074624	1310074099	1310074624	1310075314	1310074624	1310923731
1310074625	1310074099	1310074626	1310074099	1310074627	1310074099
1310074628	1310074099	1310074629	1310074099	1310074629	1310075314
1310074629	1310923731	1310074632	1310074099	1310074632	1310923731
1310074632	1310075314	1310074633	1310923731	1310074633	1310075314
1310074633	1310074099	1310074634	1310074099	1310074634	1310075314

Part no	Part no	Part no	Part no	Part no	Part no
1310074634	1310923731	1310074646	1310923609	1310074718	1310923729
1310074770	1310923729	1310074788	1310322446	1310074789	1310322446
1310074805	1310923389	1310074806	1310074813	1310074807	1310923234
1310074808	1310074813	1310074809	1310923234	1310074810	1310923234
1310074811	1310923234	1310074814	1310074099	1310074815	1310611081
1310074816	1310611081	1310074830	1310923388_02cps90l	1310074830	1310923389
1310074831	1310923389	1310074981	1310074099	1310075315	1310923609
1310075355	1310074813	1310075457	1310923729	1310075461	1310075314
1310075461	1310923731	1310075462	1310075314	1310075462	1310923731
1310075463	1310075314	1310075463	1310923731	1310075506	1310923388_02cps90l
1310075609	1310923388_02cps90l	1310075714	1310923188	1310075814	1310322441
1310075825	1310322441	1310075832	1310923219	1310075832	1310923219
1310076196	1310924309	1310076421	1310075314	1310076453	1310075314
1310078302	1310074813	1310078825	1310923386	1310082301	1316020070
1310082763	1310083800	1310083910	1310078891	1310119900	1310322472
1310126600	1310322472	1310126801	1310923729	1310127280	1310082700
1310127295	1310083810	1310130600	1310322443	1310130810	1310923729
1310131310	1310923729	1310131411	1310923729	1310133400	1310133495
1310133500	1310133580	1310133500	1310133595	1310136480	1310133595
1310136500	1310923219	1310147800	1310075314	1310147800	1310074099
1310147900	1310074099	1310147900	1310075314	1310148300	1310322473
1310151600	1310074099	1310154000	1310154086	1310154000	1310154085
1310154080	1310082700	1310154085	1310083800	1310154086	1310083810
1310159701	1310082700	1310159710	1310083810	1310159710	1310083800
1310159731	1310159710	1310159732	1310159710	1310159733	1310159710
1310159734	1310159710	1310159735	1310159710	1310159736	1310159710
1310159737	1310159710	1310159738	1310159710	1310159739	1310159710
1310159740	1310159710	1310159743	1310159710	1310159744	1310159710
1310159745	1310159710	1310159746	1310159710	1310159747	1310159710
1310159801	1310923122	1310159901	1310923122	1310160001	1310923122
1310160101	1310923122	1310160201	1310923122	1310163006	1310978700
1310164300	1310322472	1310164800	1310083800	1310164800	1310082700
1310164895	1310083810	1310169611	1310923729	1310172110	1310923234
1310172120	1310923234	1310172131	1310923234	1310172600	1310322472
1310174600	1310174681	1310174681	1310923219	1310174681	1310923609
1310174700	1310322446	1310174800	1310322446	1310174900	1310322446
1310175602	1310923188	1310175631	1310175601	1310175632	1310175601
1310175633	1310175601	1310175634	1310175601	1310175635	1310175601
1310175636	1310175601	1310179510	1310923219	1310179520	1310923609
1310179610	1310923609	1310179700	1310923609	1310179701	1310923219
1310183300	1310322472	1310184400	1310923729	1310187100	1310978700
1310192200	1310978700	1310193303	1310923234	1310198200	1310174681
1310202400	1310923609	1310210900	1310923219	1310219401	1310924217
1310219401	1310924217	1310265449	1310322443	1310266492	1310074813
1310311252	1310074813	1310312862	1310978700	1310415500	1310923104
1310424600	1310923609	1310427000	1310322472	1310432711	1310923290
1310468801	1310924309	1310468900	1310924309	1310469001	1310924309
1310469102	1310924309	1310469110	1310312837	1310469200	1310924309
1310469311	1310924309	1310489101	1310923387	1310489107	1310923387
1310600109	1310923729	1310600122	1310978700	1310600124	1310611295
1310600131	1310322275	1310600218	1310923234	1310600337	1310074813
1310600437	1310074813	1310600495	1310923387	1310600495	1310074813
1310600541	1310923387	1310600560	1310322473	1310600562	1310322473
1310600563	1310322473	1310600650	1310978700	1310607603	1310322441
1310610920	1310133595	1310610925	1310133580	1310611001	1310611081
1310611200	1310611295	1310611201	1310611281	1310611271	1310611295
1310611801	1310611081	1310611900	1310611081	1310612000	1310611081
1310613600	1310322446	1310613700	1310322446	1310616950	1310078891
1310620250	1310312901	1310622601	1310312961	1310623400	1310322443
1310624301	1310923729	1310624501	1310312961	1310627000	1310322443
1310628201	1310322275	1310629901	1310629981	1310629901	1310629981
1310633100	1310322446	1310633201	1310322446	1310633310	1310923729

Part no	Part no	Part no	Part no	Part no	Part no
1310633552	1310633586	1310633575	1310633586	1310633576	1310633586
1310633602	1310633682	1310633676	1310633682	1310633677	1310633682
1310648800	1310154086	1310648803	1310154085	1310653000	1310923729
1310677100	1310924309	1310681400	1310322446	1310681500	1310322446
1310681600	1310322443	1310681826	1310078891	1310681826	1310322446
1310681830	1310078891	1310681830	1310322446	1310681850	1310322446
1310682001	1310322446	1310682100	1310322446	1310685400	1310322446
1310685450	1310322446	1310688500	1310322446	1310691401	1310924309
1310692701	1310924309	1310692901	1310924309	1310697000	1310924309
1310697050	1310923219	1310701900	1310924309	1310702900	1310924309
1310703011	1310924309	1310703041	1310924309	1310704700	1310924309
1310704800	1310924309	1310704810	1310924309	1310704900	1310924309
1310704910	1310924309	1310705111	1310924309	1310705230	1310924309
1310705252	1310924309	1310732100	1310923219	1310740100	1310923234
1310742000	1310611281	1310762800	1310923729	1310813180	1310923729
1310825100	1310978700	1310881500	1310075314	1310881500	1310074099
1310923196	1310311647	1310923208	1310311647	1310923700	1310923609
1310923750	1310923609	1310923751	1310923609	1310923753	1310923609
1310923760	1310923609	1310924378	1310923188	1310940501	1310923729
1310940600	1310923729	1310962710	1310923729	1316010051	1310923731
1316010052	1310075314	1316010052	1310923731	1316010053	1310923731
1316010053	1310074099	1316010053	1310075314	1316010054	1310923731
1316010055	1310075314	1316010055	1310923731	1316010056	1310923731
1316010057	1310075314	1316010057	1310923731	1316010086	1310075314
1316010086	1310923731	1316010087	1310923731	1316010088	1310923731
1316010308	1310322473	1316020070	1310075314	1316020085	1310923387
1316021285	1310978700	1316021286	1310978700	1316021287	1310978700
1317000068	1316020070	1503105600	1310322441	1503256602	1310923290
1503256611	1310923290	1604038302	1310174681	1604130600	1310312816
1604132903	1310174681	1604133001	1310174681	1604133901	1310924309
1604133901	1310923219	1604172901	1310923219	1604172901	1310923609
1604179101	1310923219	1604179101	1310923609	1604179201	1310923219
1604179201	1310923609	1604179201	1310924309	1604211600	1310923609
1604211600	1310923609	1604259103	1310174681	1604259404	1310174681
1604353300	1310312816	1604428900	1626105283	1604431700	1310611295
1604431700	1310611281	1604574500	1310174681	1604574600	1310174681
1604575700	1310174681	1604620500	1626215381	1604689103	1310312816
1604707600	1626105283	1604748800	1310312816	1604749701	1310312816
1604757702	1310312816	1604774700	1310312816	1604799101	1310923204
1604799701	1310923204	1604993103	1310312837	1604997001	1310322275
1607852288	1310978700	1607852291	1310322473	1607852293	1310322473
1613080100	1310923104	1613235600	1310312816	1613291300	1626215381
1613338400	1310074813	1613338500	1310074813	1615566400	1310978700
1615566400	1310924309	1615566400	1310312837	1615566400	1310923219
1615566400	1310923234	1615566400	1310923729	1615566400	1310322446
1615566400	1310322275	1615566400	1310322472	1615566400	1310923609
1615566400	1310923609	1615566400	1310923609	1615566400	1310923609
1615566400	1310978700	1615566400	1310322446	1615639800	1310312961
1615639900	1310312961	1615771200	1310611281	1615771200	1310611295
1615860500	1310611281	1615860500	1310611295	1615860500	1310923386
1615861902	1310924309	1615862000	1310924309	1616494600	1310312816
1616510800	1310174681	1616601200	1310312816	1616601301	1310312816
1619266500	1310611081	1619276600	1310978700	1619276600	1310923386
1619276600	1310978700	1619276600	1310978700	1619276600	1310923188
1619276600	1310923188	1619276600	1310923188	1619276600	1310322441
1619276600	1310322443	1619276600	1310923729	1619276600	1310924309
1619276600	1310322441	1619286101	1310312961	1619298001	1310923386
1619589801	1310923104	1619589801	1310322446	1619589801	1310923188
1619589801	1310322441	1622079600	1310312816	1622096400	1310312816
1622566200	1310312816	1623740700	1310312816	1626035505	1310923609
1626040503	1310923290	1626052100	1310924309	1626105100	1626105283
1626105200	1626105283	1626105283	1310923609	1626105283	1310923219

Part no	Part no	Part no	Part no	Part no	Part no
1626105300	1626105283	1626107900	1310924309	1626154301	1310312961
1626154401	1310312961	1626201101	1310322441	1626201101	1310322441
1626211701	1310923609	1626211701	1310923219	1626215381	1310312816
1626218900	1626215381	1626225501	1310311647	1626225501	Coolant_Gencool
1626225601	Coolant_Gencool	1626225601	1310311647	1626225701	1310311647
1626225701	Coolant_Gencool	1626225801	1310311647	1626225801	Engine_oil_Genoil
1626225901	Engine_oil_Genoil	1626225901	1310311647	1626226000	1310311647
1626226000	Compressor_oil_Geno	1626226100	Compressor_oil_Geno	1626226100	1310311647
1626226200	1310311647	1626226200	Engine_oil_Genoil	1626226300	Engine_oil_Genoil
1626226300	1310311647	1626237100	1626215381	1626238000	1626215381
1626277700	1310923290	1626299300	1310312961	1626469100	1626215381
1626488000	1310923729	1626501500	1310322275	1626511900	1310312816
1626531400	1626531480	1626531500	1626531480	1626537600	1310923609
1626537600	1310923219	1626537600	1310923609	1626571600	1310312816
1626617100	1310923386	1626850007	1310322473	1630017500	Compressor_oil_Geno
1630017500	1310311647	1630024900	Compressor_oil_Geno	1630024900	1310311647
1635538500	1310312816	1638000000	1310923290	1638074000	1310311647
1638074000	Engine_oil_Genoil	1638075000	1310311647	1638075000	Engine_oil_Genoil
1638750001	1310924217	1638750001	1310924217	2205176612	1310322275
2205176931	1310322275	2250252800	1310174681	2252405700	1626105283
2252405800	1626105283	2252405900	1626105283	2252419700	1626105283
2254725700	1310312961	2255028400	1626105283	2911011203	1310311647
2911014900	1310311647	2911016900	2911016900	2911016900	1310311647
2911992100	1310311647	2914512800	1310923196	3176653900	1310923122
3176656600	1310923122	3315019510	1310322441	3715058900	1310923122
5500510000	1310923122	5530768100	1310923188	6211475250	1310322275
6211475450	1310322275	8915002180	1310074813	9747601400	1310074813

Go to Discount-Equipment.Com to order your parts



www.discount-equipment.com

PARTS FINDER

**Search Website
by Part Number**



**Search Manual
Library For Parts
Manual & Lookup Part
Numbers – Purchase
or Request Quote**

Search Manuals

Enter your information to help us find the right parts manual for your machine.

* Brand:

* Model:

* Serial:

* Part Number:

SEARCH

**Can't Find Part or
Manual? Request Help
by Manufacturer,
Model & Description**

Parts Order Form

Please fill in the following information to help us find the right part for your machine.

Manufacturer:	<input type="text"/>
Model:	<input type="text"/>
Description:	<input type="text"/>
Part Number:	<input type="text"/>
Quantity:	<input type="text"/>
Notes:	<input type="text"/>

Submit

Discount-Equipment.com is your online resource for quality parts & equipment.

Florida: **561-964-4949** Outside Florida TOLL FREE: **877-690-3101**

Need parts?

Click on this link: <http://www.discount-equipment.com/category/5443-parts/> and choose one of the options to help get the right parts and equipment you are looking for. Please have the machine model and serial number available in order to help us get you the correct parts. If you don't find the part on the website or on one of the online manuals, please fill out the request form and one of our experienced staff members will get back to you with a quote for the right part that your machine needs.

We sell worldwide for the brands: Genie, Terex, JLG, MultiQuip, Mikasa, Essick, Whiteman, Mayco, Toro Stone, Diamond Products, Generac Magnum, Airman, Haulotte, Barreto, Power Blanket, Nifty Lift, Atlas Copco, Chicago Pneumatic, Allmand, Miller Curber, Skyjack, Lull, Skytrak, Tsurumi, Husquvarna Target, Stow, Wacker, Sakai, Mi-T-M, Sullair, Basic, Dynapac, MBW, Weber, Bartell, Bennar Newman, Haulotte, Ditch Runner, Menegotti, Morrison, Contec, Buddy, Crown, Edco, Wyco, Bomag, Laymor, EZ Trench, Bil-Jax, F.S. Curtis, Gehl Pavers, Heli, Honda, ICS/PowerGrit, IHI, Partner, Imer, Clipper, MMD, Koshin, Rice, CH&E, General Equipment, Amida, Coleman, NAC, Gradall, Square Shooter, Kent, Stanley, Tamco, Toku, Hatz, Kohler, Robin, Wisconsin, Northrock, Oztec, Toker TK, Rol-Air, APT, Wylie, Ingersoll Rand / Doosan, Innovatech, Con X, Ammann, Mecalac, Makinex, Smith Surface Prep, Small Line, Wanco, Yanmar