



**Discount  
Equipment**

[www.discount-equipment.com](http://www.discount-equipment.com)

Filter	2950959300,APP 885255 -
Identity	2950959300
Specifications	Product number: 8162010070, Division: Portable Air, Product group: Diesel Driven Compressors, Product type: Medium Air, Product: CPS250 US DOT PI CS TB AF NRV, Product Company: Antwerp

# PARTS FINDER

**Search Website  
by Part Number**



**Search Manual  
Library For Parts  
Manual & Lookup Part  
Numbers – Purchase  
or Request Quote**

**Search Manuals**

Enter your information to help us find the right parts manual for your machine.

\* Brand:

\* Model:

\* Serial:

\* Part Number:

SEARCH

**Can't Find Part or  
Manual? Request Help  
by Manufacturer,  
Model & Description**

**Parts Order Form**

Please fill in the following information to help us find the right part for your machine.

Manufacturer:	<input type="text"/>
Model:	<input type="text"/>
Description:	<input type="text"/>
Part Number:	<input type="text"/>
Quantity:	<input type="text"/>
Notes:	<input type="text"/>

Discount-Equipment.com is your online resource for quality parts & equipment.

Florida: **561-964-4949** Outside Florida TOLL FREE: **877-690-3101**

**Need parts?**

Click on this link: <http://www.discount-equipment.com/category/5443-parts/> and choose one of the options to help get the right parts and equipment you are looking for. Please have the machine model and serial number available in order to help us get you the correct parts. If you don't find the part on the website or on one of the online manuals, please fill out the request form and one of our experienced staff members will get back to you with a quote for the right part that your machine needs.

We sell worldwide for the brands: Genie, Terex, JLG, MultiQuip, Mikasa, Essick, Whiteman, Mayco, Toro Stone, Diamond Products, Generac Magnum, Airman, Haulotte, Barreto, Power Blanket, Nifty Lift, Atlas Copco, Chicago Pneumatic, Allmand, Miller Curber, Skyjack, Lull, Skytrak, Tsurumi, Husquvarna Target, Stow, Wacker, Sakai, Mi-T-M, Sullair, Basic, Dynapac, MBW, Weber, Bartell, Bennar Newman, Haulotte, Ditch Runner, Menegotti, Morrison, Contec, Buddy, Crown, Edco, Wyco, Bomag, Laymor, EZ Trench, Bil-Jax, F.S. Curtis, Gehl Pavers, Heli, Honda, ICS/PowerGrit, IHI, Partner, Imer, Clipper, MMD, Koshin, Rice, CH&E, General Equipment, Amida, Coleman, NAC, Gradall, Square Shooter, Kent, Stanley, Tamco, Toku, Hatz, Kohler, Robin, Wisconsin, Northrock, Oztec, Toker TK, Rol-Air, APT, Wylie, Ingersoll Rand / Doosan, Innovatech, Con X, Ammann, Mecalac, Makinex, Smith Surface Prep, Small Line, Wanco, Yanmar



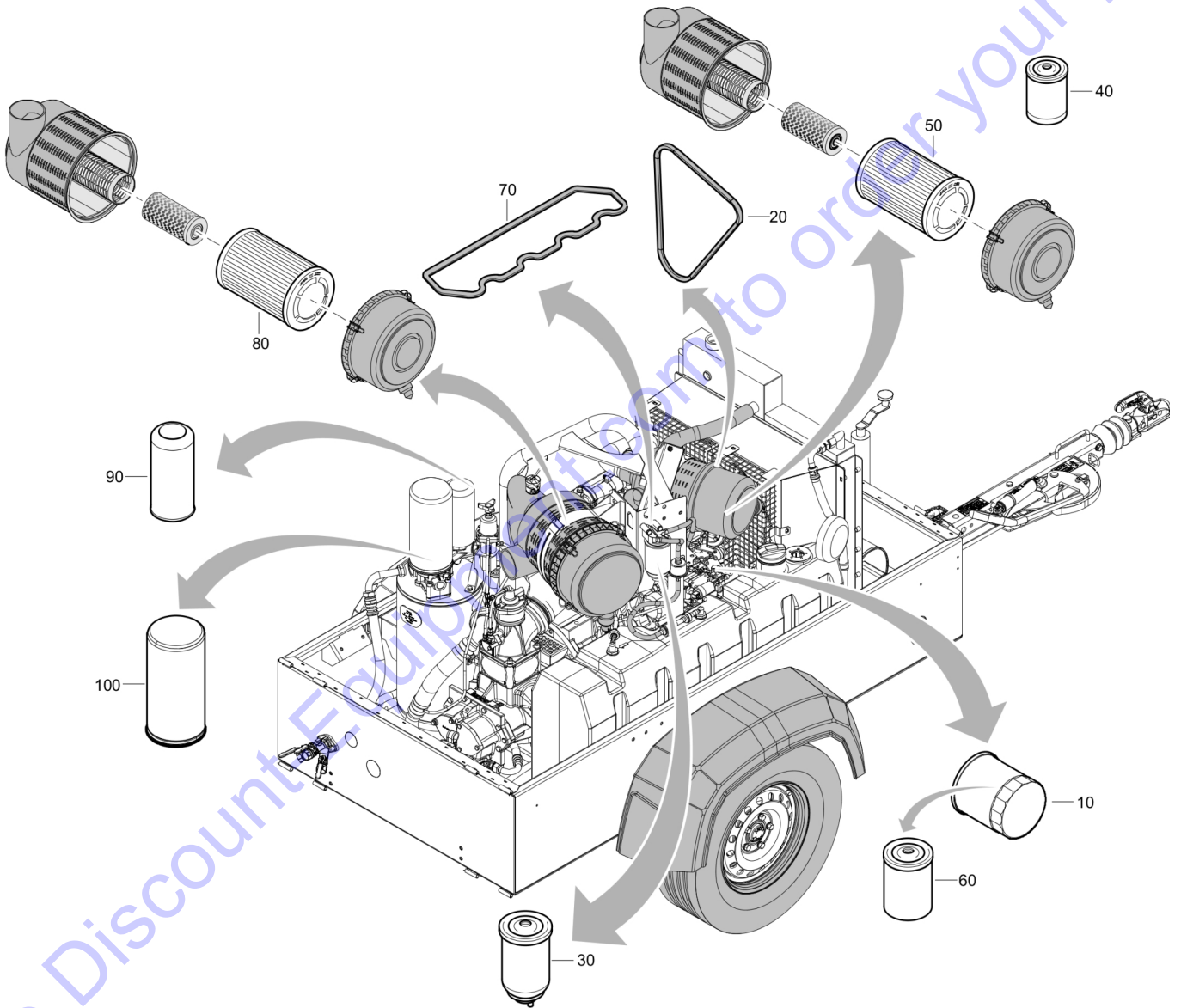
Kits and consumables	!950799000Kitsandconsumables
Service pak 500 hours	2912500502
KIT GEAR SET I=2.259	2912641607
COOLANT	Coolant_GencoolEGandGencool#
ENGINE OIL	Engine_oil_Genoil
COMPRESSOR OIL	Compressor_oil_Genoil
Service kit - Unloading valve	2911007400
Service kit - DPF parts	2914900021
FRAME AND MOUNTS	1611709127
FRAME	1638186087
Gear set	1611710227
Compressor drive	1611709327
AIR FILTER, ASSY	2913320412
Air inlet	1611714227
Air outlet	1611716627
Air outlet 2" ball valve	1611716727
NPT air outlet	1611739931
ROAD SIGNAL	1611716427
NO ROAD SIGNAL	1611729827
Bumper no roads	1638373585
OIL SYSTEM	1611714327
REGULATING SYSTEM	1611709927
REGUL VALVE ASSY	1604084785
UNLOADER	1638205881
Country set	1611719627
Vessel air assembly	1638178481
BODYWORK CPS PE	1611714827
KW-CP7.0-10-250	1611702062
HOOD	1638373486
BAFFLE ASSY	1638378580
No ISV	1611720727
Axle with brake	2914900078
VALVE 3 WAY	1626857391
MARKINGS	1611742431
Conformaty label	1611727327
ENGINE AND ACCESSORIES	1611709227
ENGINE SERVICE PARTS	2914900080
Engine set	1611721127
COVER	1638917580
Cooler assembly	1638197581
Cooler and fan_W	1611709727_08W
TANK FUEL	1638260481
FUEL SYSTEM FUELSENSOR	1611720427
FUEL SYSTEM	1611709827
FUEL SYSTEM NO FUELSENSOR	1611720327
ELECTRICAL SYSTEM	1611714527
CONTROLLER	1626850007
Undercarriage	1611713627
Cold start	1611720627
Tool box	1611710627

ROAD SIGNAL	1611716427
Bumper roads	1638373682
TOWBAR	1638412480
Wheel chocks	1611869012
JOCKEY WHEEL TURNABLE US	1611726227
Towbar Service	2914900019
Towing eye	1611730327
EYE TOWING NATO	1638307880
Baffle	1638378981
Control box cover	1611717327
Support	1638296380
Door	1638374481
Plug	1638380500
Hood	1638373400
Hood assembly	1638373483
Bodywork	1638373401
Bumper	1638373601
Bumper roads CP_W	1638373684
BUMPER NO ROADS CP	1638373583
Label	1611729927
Hose reel	1611700001

Go to Discount-Equipment.com to order your parts

Kits and consumables	Item Number	Description	Change Interval / Quantity	
			500 hours	When Needed
Maintenance Kit	1	Service Pak	1	No
Compressor Oil	2	Can Genoil M 5 Liter/1.32 Gallon	11 Liter 3.0 Gallon	No
Use Genoil M	3	Can Genoil M 20 Liter/5.3 Gallon		
Use Genoil S	4	Can Genoil S 20 Liter/5.3 Gallon		
Use Genoil S Ultra	5	Can Genoil S Ultra 20 Liter/5.3 Gallon		
Engine Oil	6	Can Genoil 15W40 5 Liter/1.32 Gallon	9.5 Liter 2.5 Gallon	No
Use Genoil Engine Performance	7	Can Genoil 15W40 20 Liter/5.3 Gallon		
Use Genoil Engine Plus	8	Can Genoil 5W40 5 Liter/1.32 Gallon		
	9	Can Genoil 5W40 20 Liter/5.3 Gallon		
Use Genoil Engine Green	10	Can Genoil 5 Liter/1.32 Gallon		
	11	Can Genoil 20 Liter/5.3 Gallon		
Coolant	12	Can Gencool concentrate 5 Liter/1.32 Gallon	11.5 Liter 3.0 Gallon	No
Use Gencool EG	13	Can Gencool 5 Liter/1.32 Gallon		
	14	Can Gencool 20 Liter/5.3 Gallon		
Use Gencool Green	15	Can Gencool 5 Liter/1.32 Gallon		
	16	Can Gencool 20 Liter/5.3 Gallon		
Service and Repair Kits	17	Service kit - Gearset		1

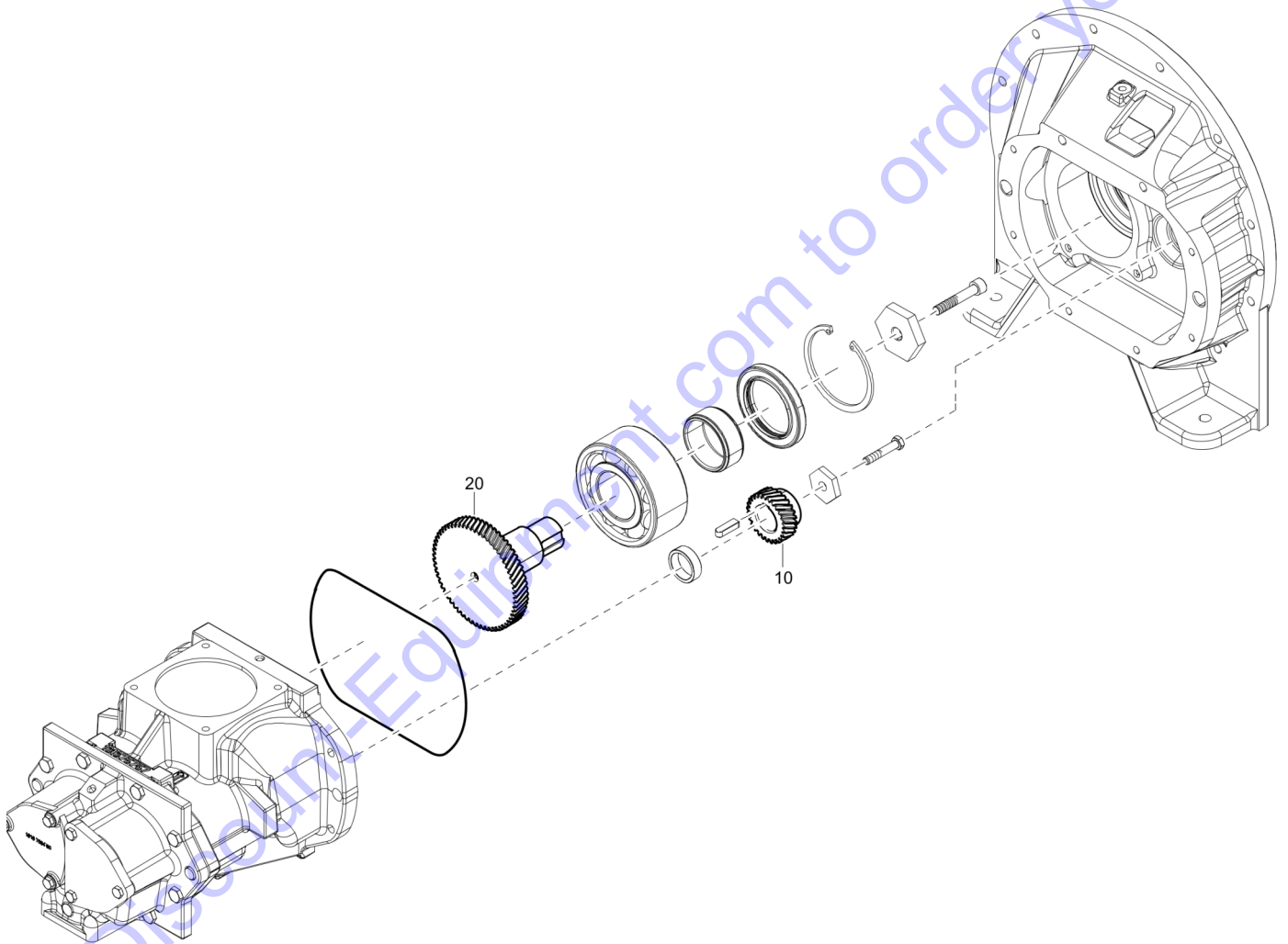
<b>Id</b>	<b>Qty</b>	<b>Number</b>	<b>Name</b>	<b>Specifications</b>
1	1	2912500502	BELT V	Version: 1
2	3	1626226000	GENOIL M CAN 5L	
3	1	1626226100	GENOIL M CAN 20L	
4	1	1630017500	OIL GENOIL S 20L	
5	1	1630024900	Can Genoil S Ultra 20 Liter/5.3 Gallon	
6	2	1626226200	GENOIL 15W40 CAN 5L	
7	1	1626226300	GENOIL 15W40 CAN 20L	
8	2	1626225801	CAN GENOIL 5W40 5 LITER/1.32 GALLON	
9	1	1626225901	CAN GENOIL 5W40 20 LITER/5.3 GALLON	
10	2	1638074000	CAN GENOIL ENGINE GREEN 5 LITER/1.32 GALLON	
11	1	1638075000	CAN GENOIL ENGINE GREEN 20 LITER/5.3 GALLON	
12	3	1626225701	CAN GENCOOL EG CONCENTRATE 5 LITER/1.32 GALLON	
13	3	1626225501	CAN GENCOOL EG 5 LITER/1.32 GALLON	
14	1	1626225601	CAN GENCOOL EG 20 LITER/5.3 GALLON	
15	3	1630013411	CAN GENCOOL GREEN 5L	
16	1	1630013416	CAN GENCOOL GREEN 20L	
17	1	2912641607	GEAR PINION	Version: 1





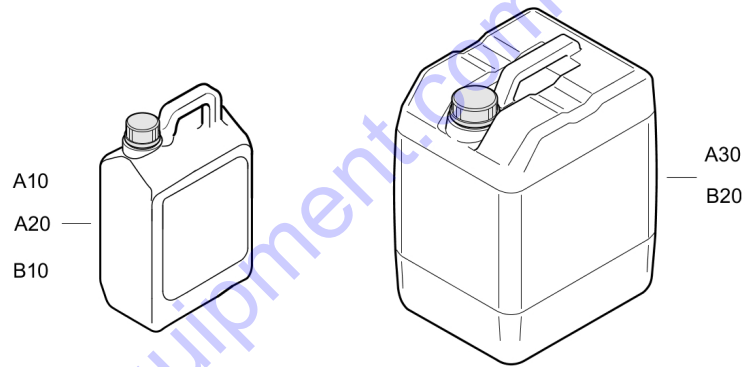
Id	Qty	Number	Name	Specifications
10	1		Filter oil	
20	1		Oil filter	
30	1		Filter fuel water separator	
40	1		FILTER FUEL	
50	1		Filter air engine	
60	1		Filter oil sep (engine)	
70	1		Gasket rocker cover	
80	1		Element filter	
90	1		OIL FILTER MB	
100	1		Oil Separator Element	

Go to Discount-Equipment.com to order your parts



<b>Id</b>	<b>Qty</b>	<b>Number</b>	<b>Name</b>	<b>Specifications</b>
10	1		Gear pinion	
20	1		Gear bull	

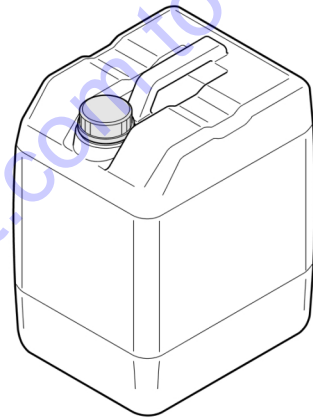
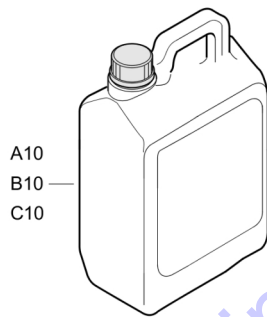
Go to Discount-Equipment.com to order your parts



Id	Qty	Number	Name	Specifications
-			Gencool EG	
A10	1	1626225501	CAN GENCOOL EG 5 LITER/1.32 GALLON	
A20	1	1626225701	CAN GENCOOL EG CONCENTRATE 5 LITER/1.32 GALLON	
A30	1	1626225601	CAN GENCOOL EG 20 LITER/5.3 GALLON	
DIGA BIT- 4f477 9cf- 46da- 4f82- a28f- ffc1fd 3929 d4			Gencool Green	
B10	1	1630013411	CAN GENCOOL GREEN 5L	
B20	1	1630013416	CAN GENCOOL GREEN 20L	

Go to Discount-Equipment.com to order your parts





Go to Discount-Equipment.com to order your parts

<b>Id</b>	<b>Qty</b>	<b>Number</b>	<b>Name</b>	<b>Specifications</b>
-			GENOIL PERFORMANCE	
A10	1	1626226200	GENOIL 15W40 CAN 5L	
A20	1	1626226300	GENOIL 15W40 CAN 20L	
-			GENOIL ENGINE PLUS	
B10	1	1626225801	CAN GENOIL 5W40 5 LITER/1.32 GALLON	
B20	1	1626225901	CAN GENOIL 5W40 20 LITER/5.3 GALLON	
-			GENOIL ENGINE GREEN	
C10	1	1638074000	CAN GENOIL ENGINE GREEN 5 LITER/1.32 GALLON	
C20	1	1638075000	CAN GENOIL ENGINE GREEN 20 LITER/5.3 GALLON	

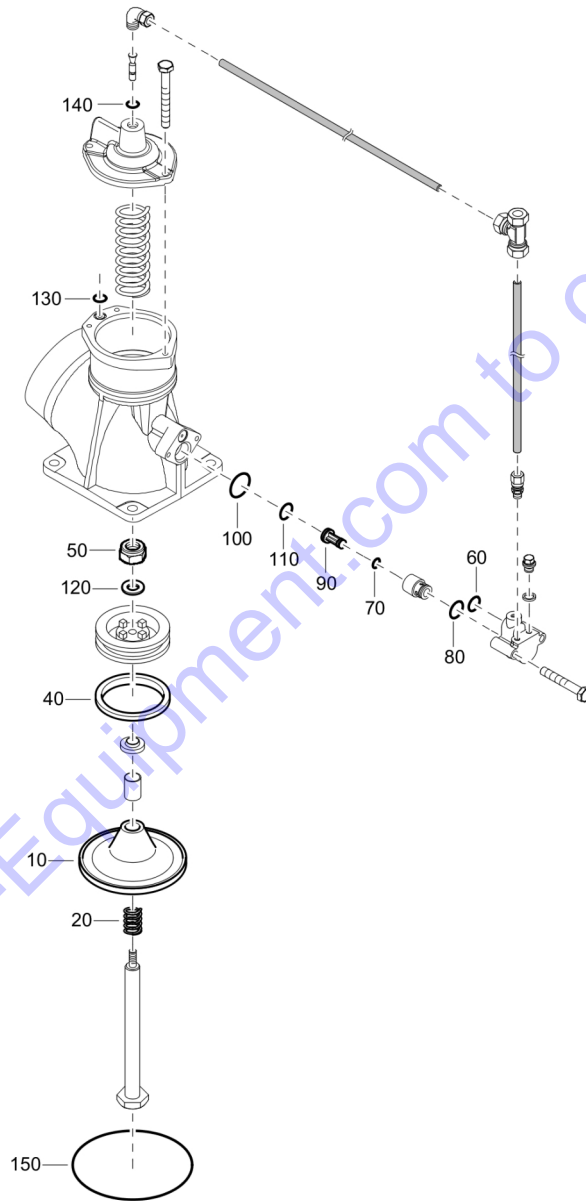
Go to Discount-Equipment.com to order your parts



Go to Discount-Equipment.com to order your parts

Id	Qty	Number	Name	Specifications
-			GENOIL M	
A10	1	1626226000	GENOIL M CAN 5L	
A20	1	1626226100	GENOIL M CAN 20L	
-			GENOIL S	
B20	1	1630017500	OIL GENOIL S 20L	
-			GENOIL S ULTRA	
C20	1	1630024900	Can Genoil S Ultra 20 Liter/5.3 Gallon	

Go to Discount-Equipment.com to order your parts

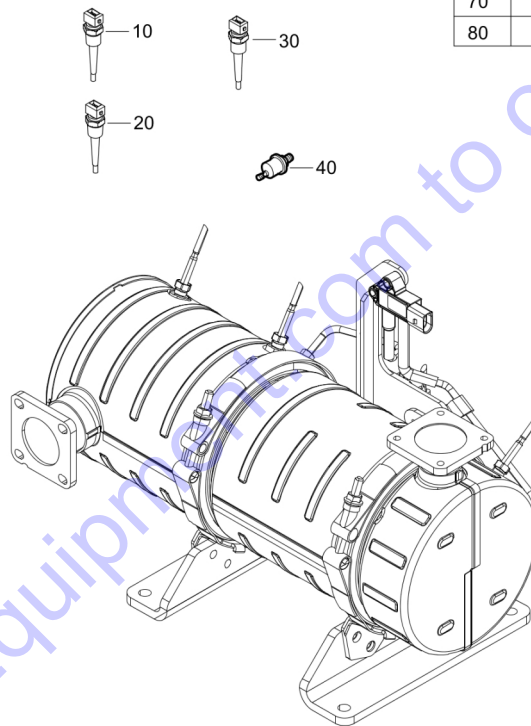




Id	Qty	Number	Name	Specifications
-		2911007400	KIT UNLOADING VALVE	
10	1		Valve (Unloading)	
20	1		SPRING	
40	1		Piston Seal	
50	1		Lock nut	
60	1		O-RING	
70	1		O-RING	
80	1		O-RING	
90	1		VALVE	
100	1		O-RING	
110	1		O-RING	
120	1		PLAIN WASHER	
130	1		O-RING	
140	1		O-RING	
150	1		O-RING	

Go to Discount-Equipment.com to order your parts

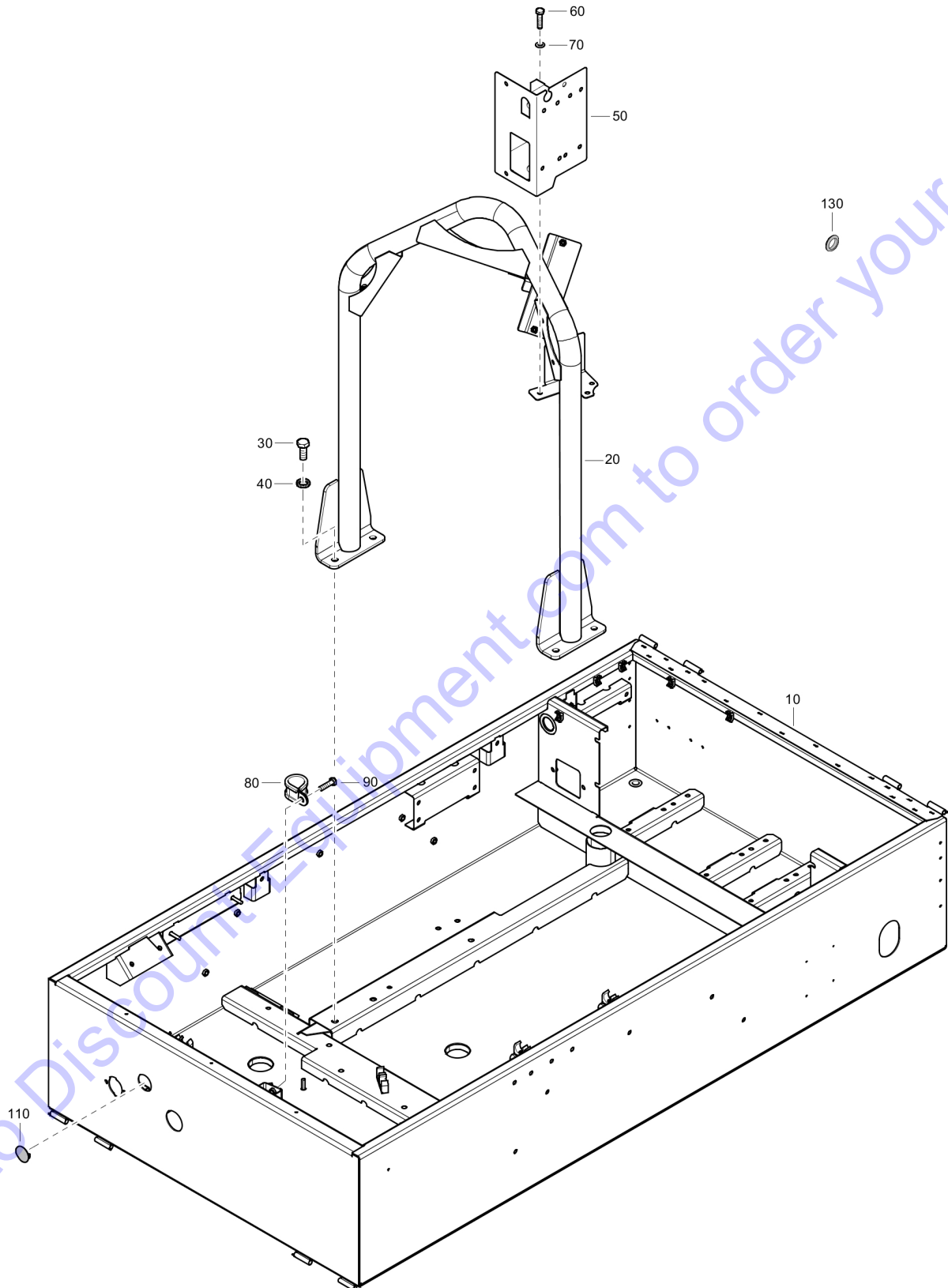
Not Illustrated			
Ref	Part Number	Designation	Qty
50	2913 3200 06	Catalyst parts	1
60	2913 3200 07	Dpf parts	1
70	2913 3200 08	Body parts	1
80	2913 3200 09	V-band clamp	1



Go to Discount-Equipment.com to order your parts

Id	Qty	Number	Name	Specifications
10	1	2913320119	TEMPERATURE SENSOR	
20	1	2913320120	TEMPERATURE SENSOR	
30	1	2913320121	TEMPERATURE SENSOR	
40	1	2913320122	PRESSURE SENSOR	
50	1	2913320006	CATALYST PARTS	
60	1	2913320007	DPF PARTS	
70	1	2913320008	BODY PARTS	
80	1	2913320009	V-BAND CLAMP	

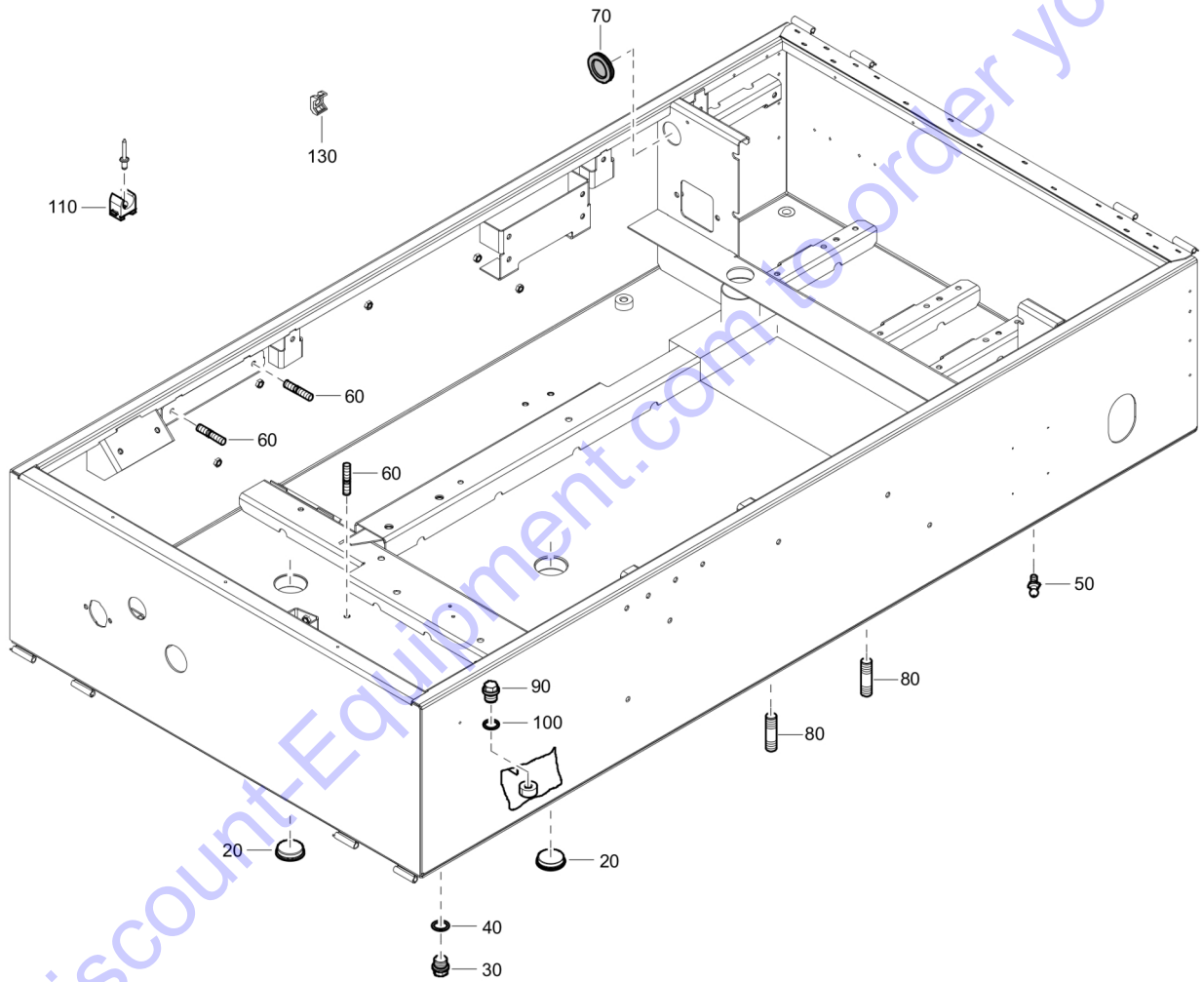
Go to Discount-Equipment.com to order your parts



Id	Qty	Number	Name	Specifications
10	1	1638186087	FRAME	
20	1	1638275203	BEAM	
30	4	0147140115	SCREW:M12X 30MM HEXHD LOCKING	
40	4	3315019508	LOCK WASHER	
50	1	1638290503	SUPPORT	
60	2	0147132603	SCREW:M 8X 30;HEX HD,ZN PLT,\$S	
70	2	0301233500	PLAIN WASHER(A) 8.4 X 16 X 1.6	
80	2	0346100209	PIPE CLAMP	
90	2	0147132603	SCREW:M 8X 30;HEX HD,ZN PLT,\$S	
110	1	1638535000	Plug	
130	2	1088080153	GROMMET	

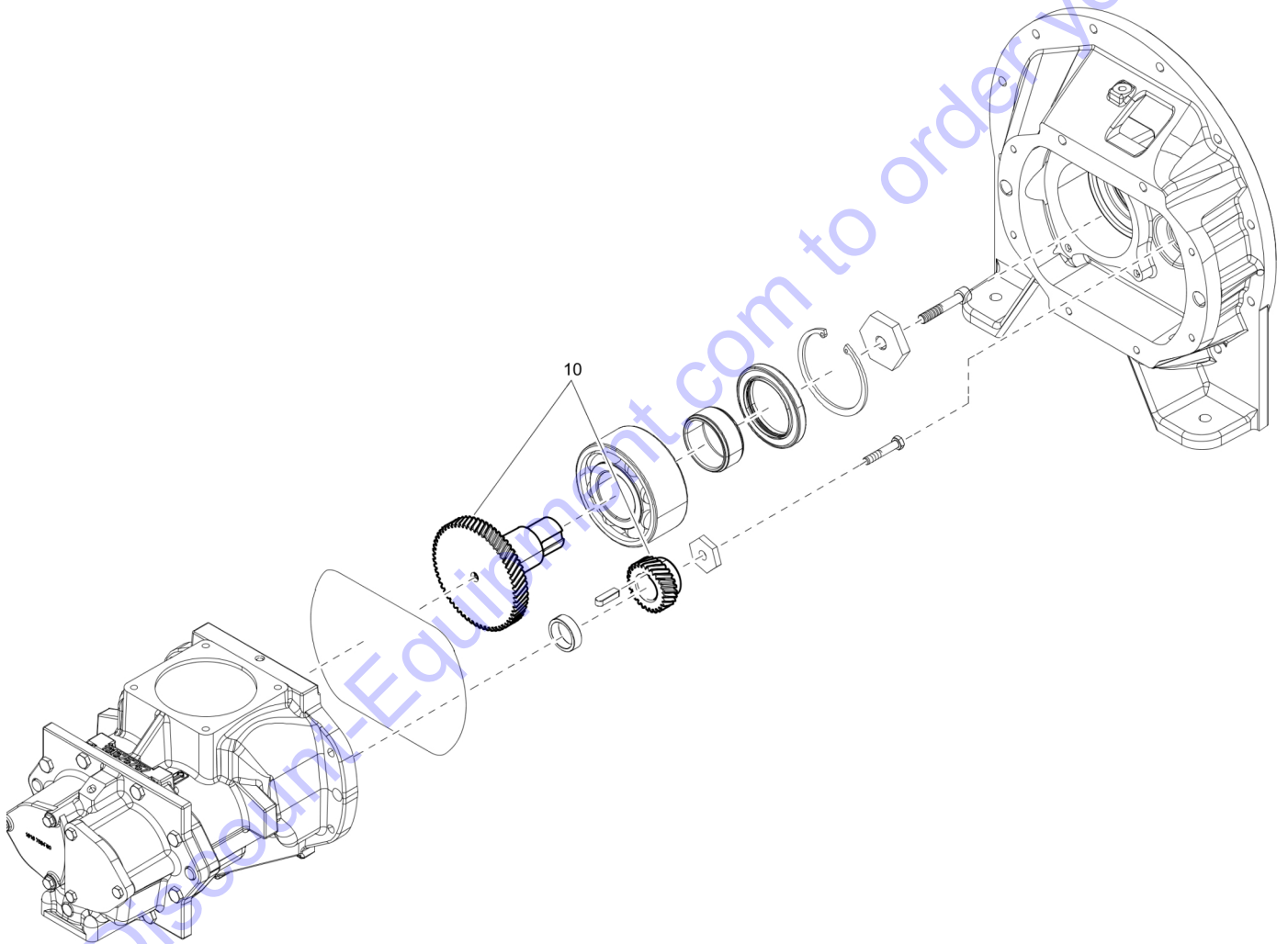
Go to Discount-Equipment.com to order your parts





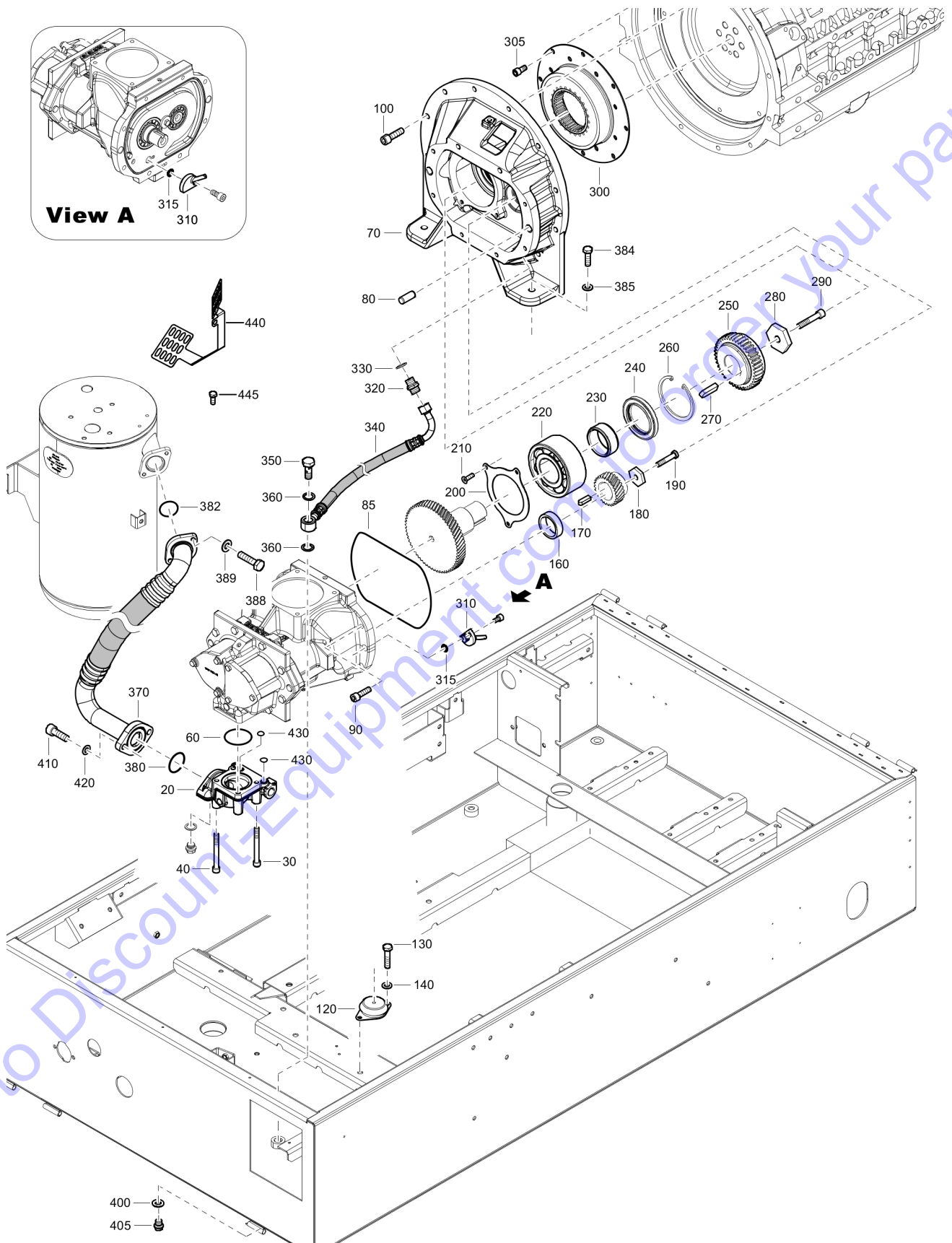
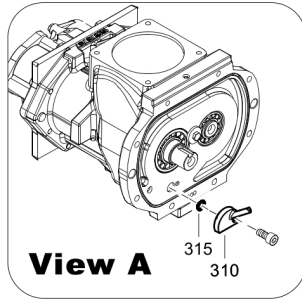
Id	Qty	Number	Name	Specifications
20	5	1613265500	PLUG	
30	3	0686423018	HEXAGON PLUG	
40	3	0653111500	GASKET 18X24X15	
50	2	1626310800	BALL STUD	
60	3	0246195629	ROD	
70	2	1088080307	GROMMET	
80	4	0246195657	STUD	
90	2	0686371601	PLUG 1/4 AA	
100	2	0653107000	GASKET 14 X 18 X 1.5	
110	11	1088083204	CABLE CLAMP	
130	10	0348011003	PLATE ANCHOR	

Go to Discount-Equipment.com to order your parts



Id	Qty	Number	Name	Specifications

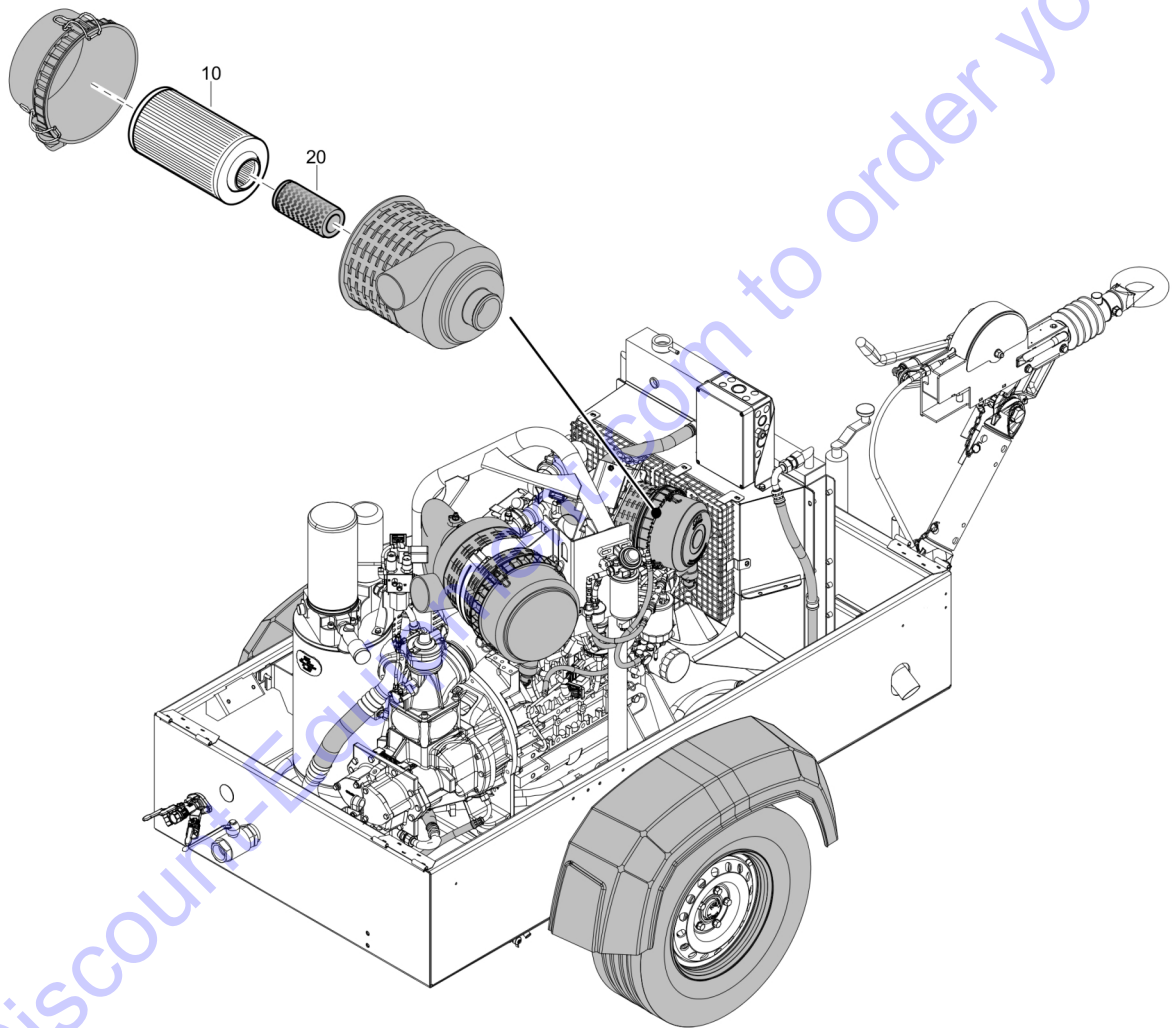
Go to [Discount-Equipment.com](https://Discount-Equipment.com) to order your parts



<b>Id</b>	<b>Qty</b>	<b>Number</b>	<b>Name</b>	<b>Specifications</b>
20	1	1631006000	OUTLET HOUSING C90 BELT	
30	2	0211133303	SCREW:M 8X65L,SOC HD,CAP \$STL	
40	2	0211133703	HEX SOCK. SCREW	
60	1	0663713700	O-RING	
70	1	1638255500	GEATBOX BOX 2.4	
80	2	0102062600	PIN	
85	1	0663211620	O-RING	
90	8	0211136403	HEXAGON SOCKET HEAD CAP SCREW	
100	12	0211528800	SCREW	
120	2	1615659501	PAD ANTI VIBR.	
130	4	0147136315	SCREW:M10 X 30 HEX HD ZP,LOCK	
140	4	0301234400	PLAIN WASHER M10	
160	1	1638214300	SPACER	
170	1	1638214700	KEY PARALLEL	
180	1	1638214600	WASHER PLAIN	
190	1	0147111126	HEX. SOCK. SCREW	
200	1	1638250900	PLATE BEARING	
210	3	0216195726	ESC SEXT INT SCREW M6X16 8.8	
220	1	0504020013	ROLAMENTO	
230	1	1638214900	BUSHING	
240	1	1616562500	LIPSEAL	
250	1	1626308401	COUPLING	
260	1	0335216200	CIRCLIP	
270	1	0337606200	PARALLEL KEY	
280	1	1604028700	WASHER	
290	1	0211110577	HEX. CSUNK SCREW	
300	1	1626308301	COUPLING	
305	8	0211220581	Hexagon socket screw	
310	1	1638225300	OIL NOZZLE BOX2.4	
315	1	0663311800	O-RING 11.3X2.4	
320	1	1613673900	Nipple	
330	1	0661102600	SEAL WASHER 17.2 X 23.9 X 2	
340	1	1638284700	HOSE ASSEMBLY	
350	1	0627420013	PRESSURE SCREW	
360	2	0653111500	GASKET 18X24X15	
370		1638246500	HOSE ASSEMBLY	
380	1	0663713500	O-RING 54.5 X 3	
382	1	0663313500	O-RING 44.2X3	
384	2	0211136403	HEXAGON SOCKET HEAD CAP SCREW	
385	2	0301234400	PLAIN WASHER M10	
388	2	0147136403	HEX. BOLT M10X35X8.8	
389	2	0301234400	PLAIN WASHER M10	
400	1	0653106200	GASKET 13 X 20 X 1.5	
405	1	0686371601	PLUG 1/4 AA	
410	2	0211136303	SCREW:M10X 30;SOC HD CAP	
420	2	0301234400	PLAIN WASHER M10	

Id	Qty	Number	Name	Specifications
430	3	0663210778	O-RING	
440	1	1638890800	BRACKET	
445	1	0147136203	HEX. HEAD SCREW M10 X 25	

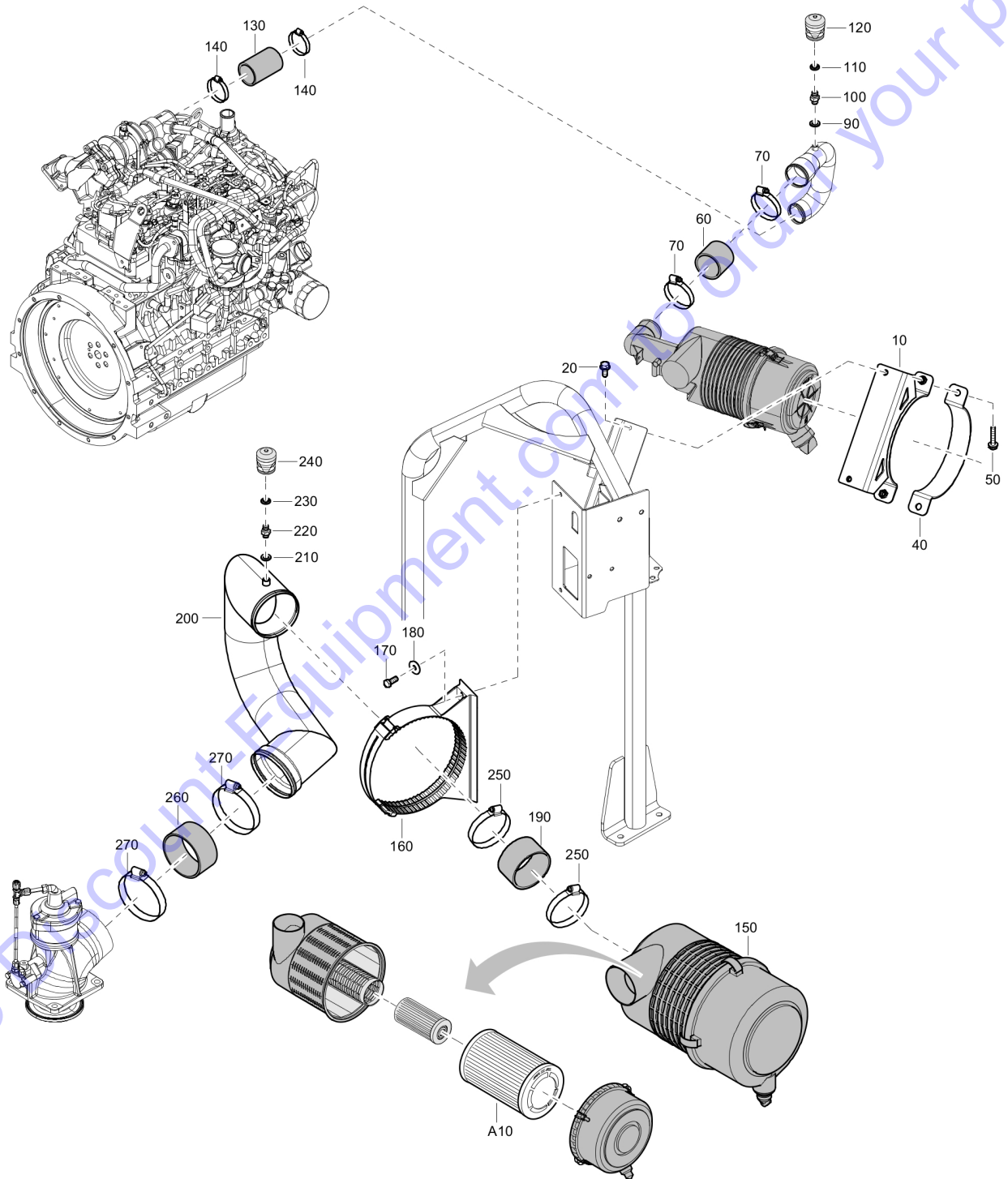
Go to Discount-Equipment.com to order your parts





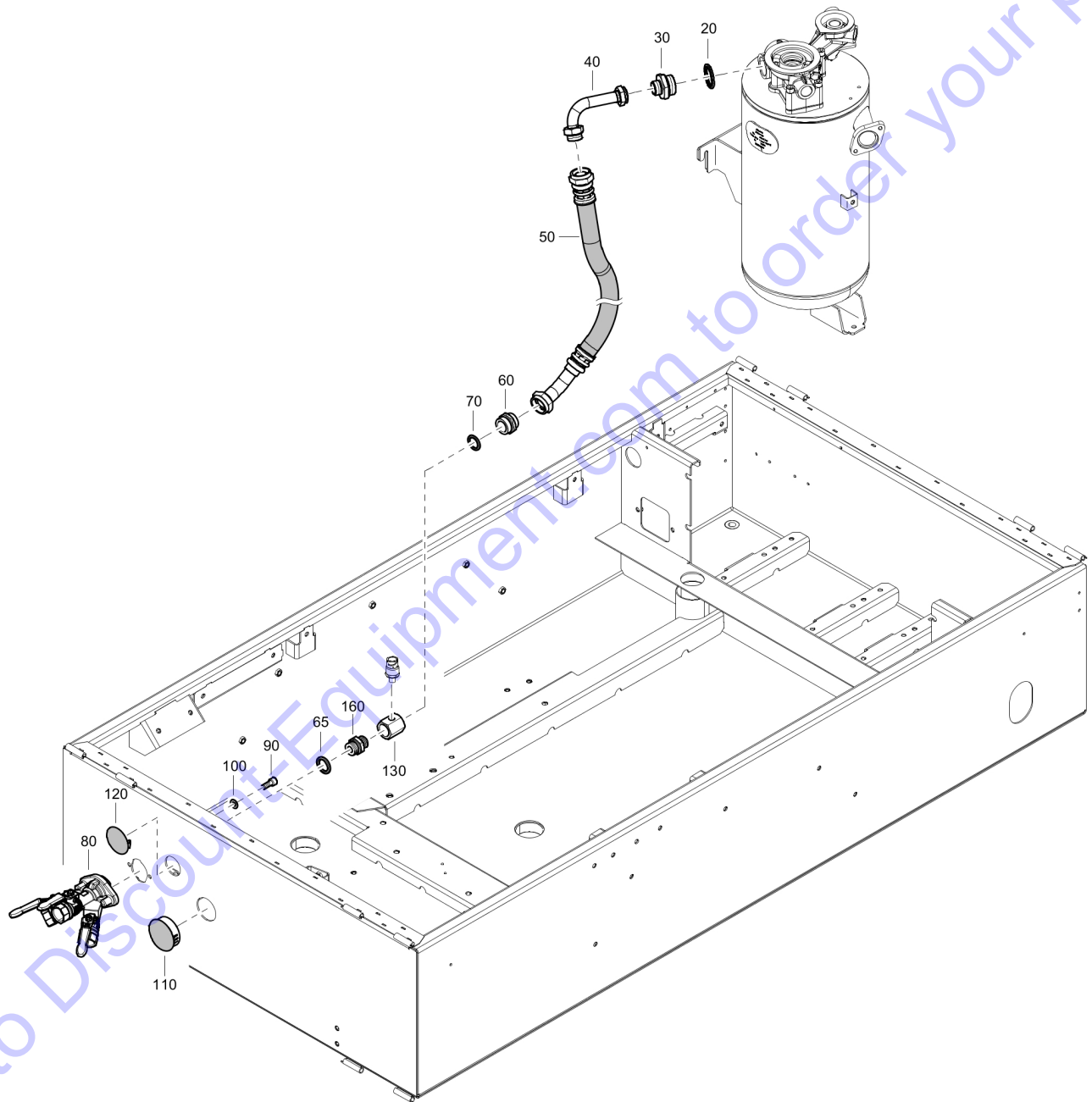
<b>Id</b>	<b>Qty</b>	<b>Number</b>	<b>Name</b>	<b>Specifications</b>
10	1	2913320004	FILTER AIR ENGINE	
20	1	2913320106	AIR FILTER SAFETY CARTRIDGE	

Go to Discount-Equipment.com to order your parts



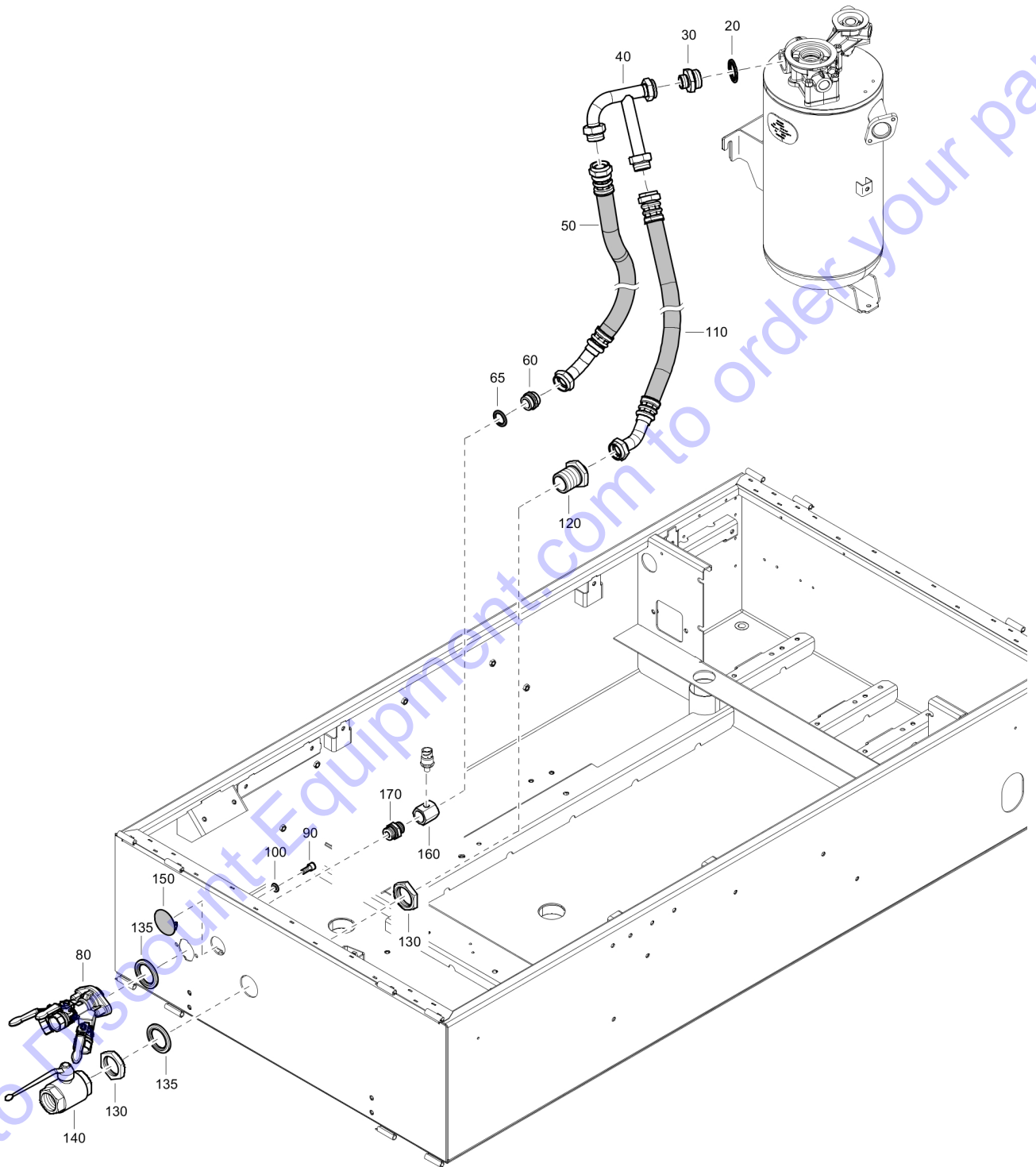
<b>Id</b>	<b>Qty</b>	<b>Number</b>	<b>Name</b>	<b>Specifications</b>
10	1	1638226701	SUPPORT	
20	2	1619276600	SCR.BOLT M8X20	
40	1	1638226800	CLAMP PIPE	
50	2	1619533703	HEXAGON BOLT	
60	1	1604186800	HOSE	
70	2	0347611400	CLAMP	
90	1	0653104600	FLAT GASKET	
100	1	1612215200	NIPPLE HEXAGON	
110	1	0661101400	SEALING WASHER	
120	1	1613791201	INDICATOR INLET HOSE	
130	1	1604128001	HOSE	
140	2	0347610019	Hose clamp	
150	1	1092049842	FILTER AIR	
A10	1	1092049842	FILTER AIR	
160	1	1615781400	SUPPORT	
170	2	0147132703	HEX. HEAD SCREW	
180	2	0300801900	WASHER-FLAT:M 8.40/25.0X2.0T	
190	1	1615770600	HOSE	
200	1	1638221700	PIPE	
210	1	0653104600	FLAT GASKET	
220	1	1612215200	NIPPLE HEXAGON	
230	1	0661101400	SEALING WASHER	
240	1	1613791201	INDICATOR INLET HOSE	
250	2	0347611500	HOSE CLIP	
260	1	1615943800	HOSE	
270	2	0347610024	HOSE CLAMP	

Go to Discount-Equipment.com to order your parts



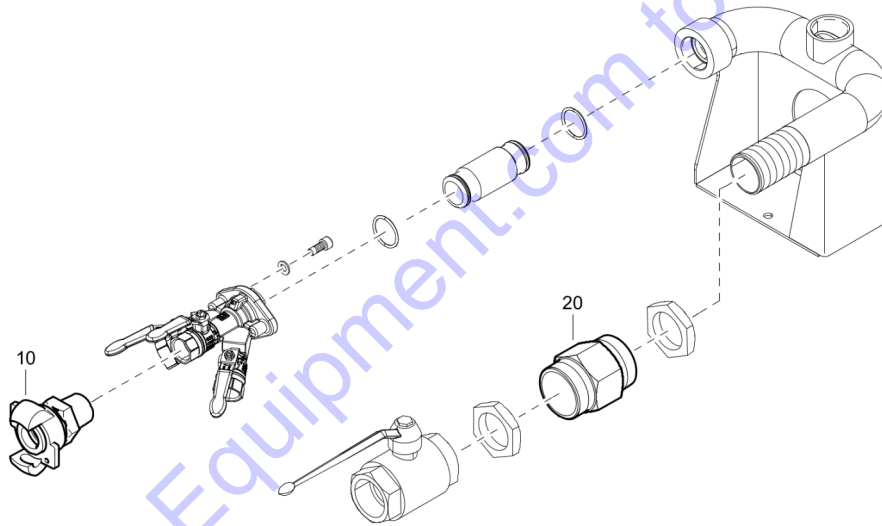
Id	Qty	Number	Name	Specifications
20	1	0661105600	Sealing washer	
30	1	1638288500	NIPPLE HEXAGON	
40	1	1638381600	Pipe air outlet	
50	1	1638360101	HOSE ASSEMBLY	
60	1	0571003572	FITTING	
65	1	0661104900	SEAL WASHER	
70	1	0661103800	SEALING WASHER	
80	1	1638165281	MANIFOLD	
90	2	0211132300	HEX SOCK. SCREW	
100	2	0301233500	PLAIN WASHER(A) 8.4 X 16 X 1.6	
110	1	1638386000	PLUG PROTECT.	
120	1	1638535000	Plug	
130	1	1638830600	NIPPLE	
160	1	0571003553	NIPLE M30 X 3/4"BSPT	

Go to Discount-Equipment.com to order your parts



Id	Qty	Number	Name	Specifications
20	1	0661105600	Sealing washer	
30	1	1638288500	NIPPLE HEXAGON	
40	1	1638360200	MANIFOLD	
50	1	1638360101	HOSE ASSEMBLY	
60	1	0571003572	FITTING	
65	1	0661104900	SEAL WASHER	
80	1	1638165281	MANIFOLD	
90	2	0211132300	HEX SOCK. SCREW	
100	2	0301233500	PLAIN WASHER(A) 8.4 X 16 X 1.6	
110	1	1638360101	HOSE ASSEMBLY	
120	1	1638360000	NIPPLE HEXAGON	
130	2	0623210012	BACK NUT	
135	2	1638517300	WASHER	
140	1	0852001030	BALL VALVE	
150	1	1638535000	Plug	
160	1	1638830600	NIPPLE	
170	1	0571003553	NIPPLE M30 X 3/4"BSPT	

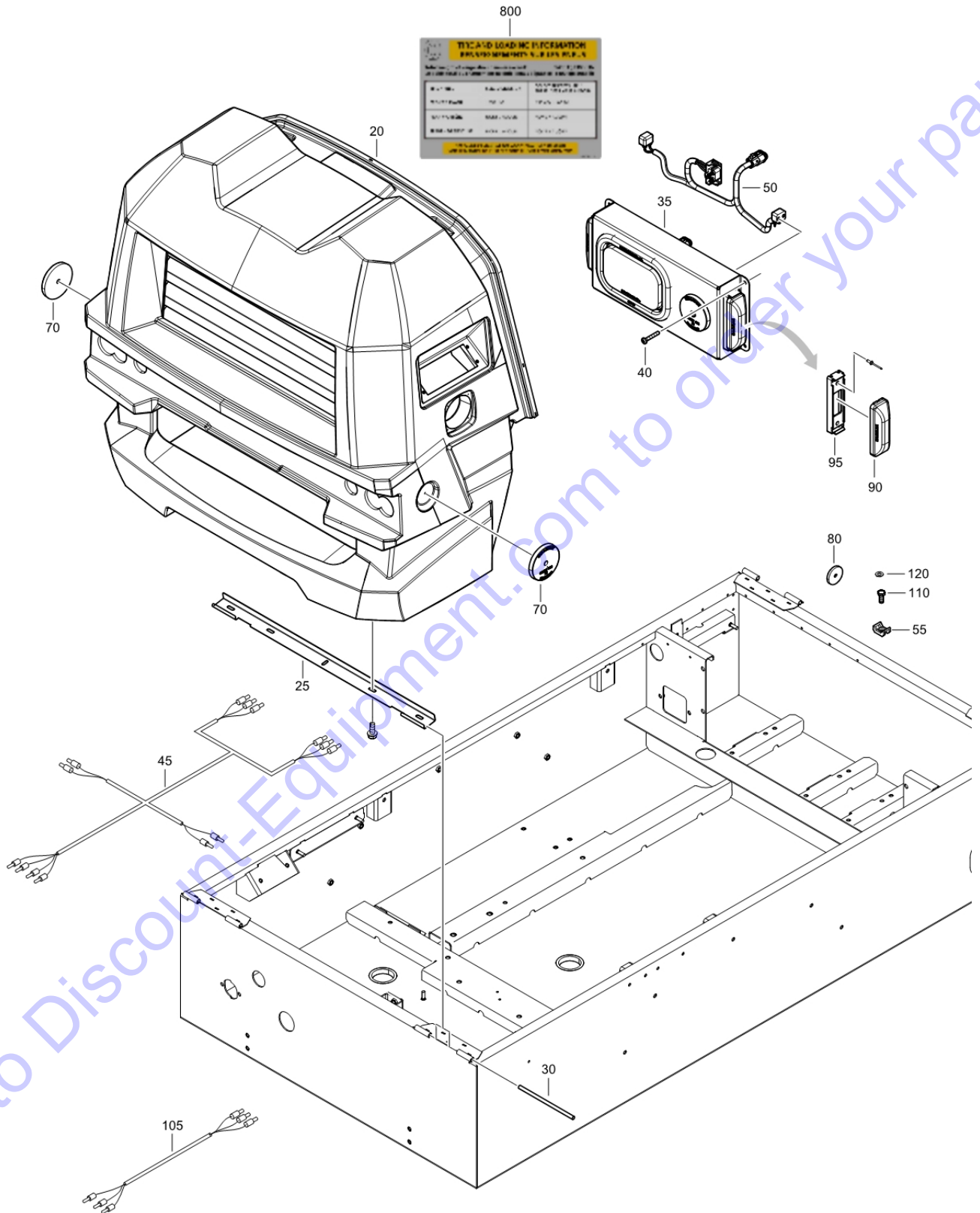
Go to Discount-Equipment.com to order your parts





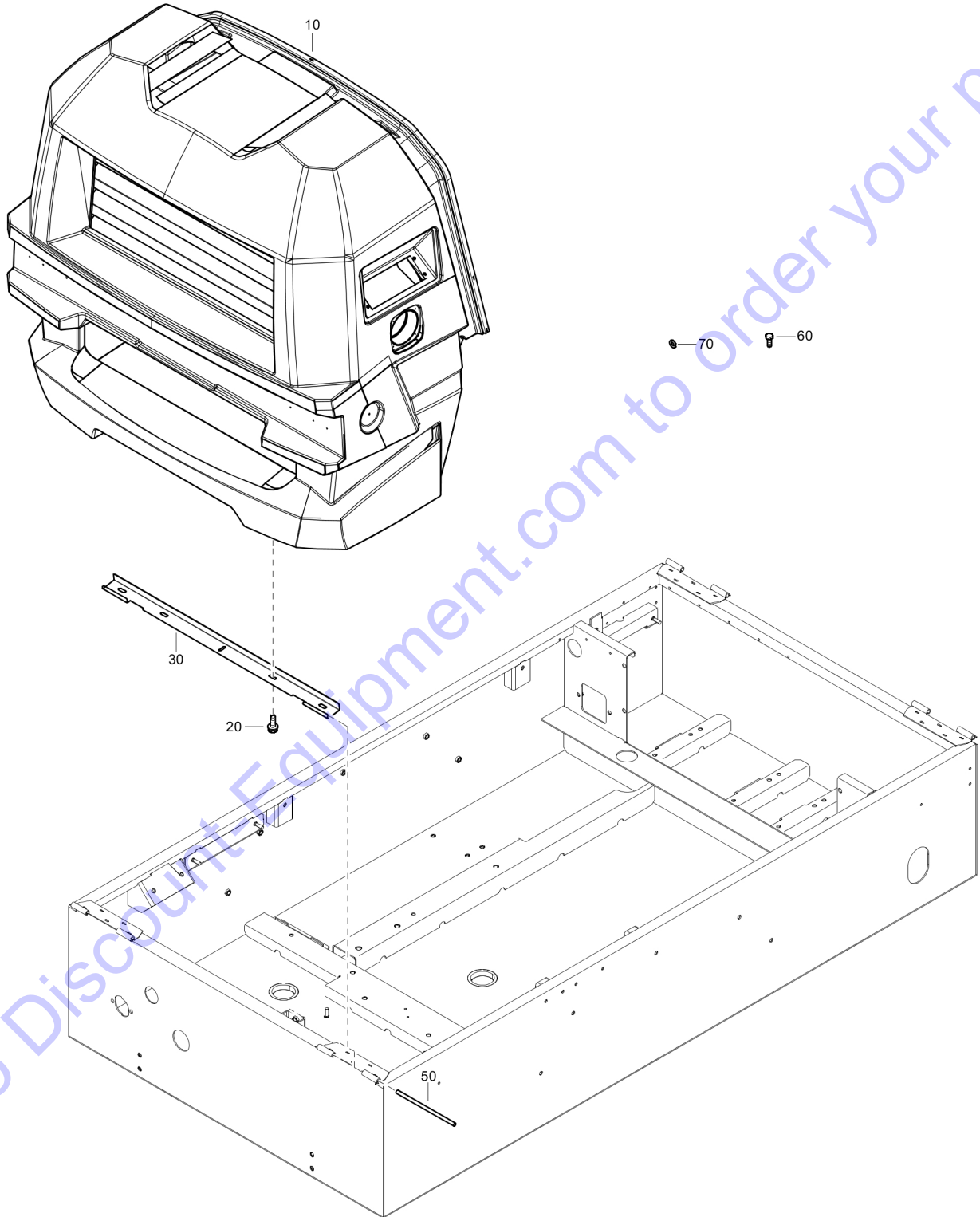
<b>Id</b>	<b>Qty</b>	<b>Number</b>	<b>Name</b>	<b>Specifications</b>
10	3	1638184300	COUPLING	
20	1	0603415047	NIPPLE NPT 1 1/2XISO7-R 1 1/2	

Go to Discount-Equipment.com to order your parts



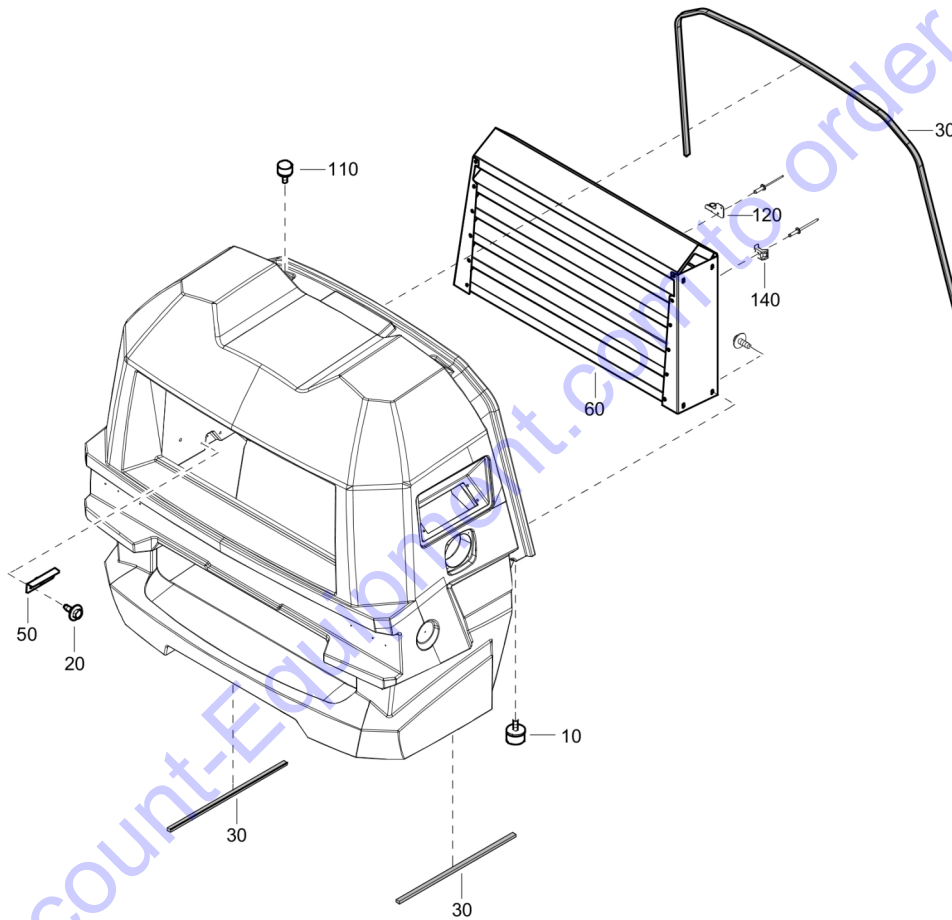
Id	Qty	Number	Name	Specifications
20	1	1638373686	BUMPER	
25	1	1638329803	HINGE	
30	2	1605002501	ROD CONNECTING	
35	2	1638296380	LIGHT	
40	8	0226004709	SCREW	
45	1	1638345601	WIRE HARNESS	
50	2	1638313100	WIRING	
55	5	0348011003	PLATE ANCHOR	
70	2	1638315800	REFLECTOR	
80	2	1615552000	REFLECTOR	
90	2	1638295900	LAMP	
95	2	1638315700	HOLDER LAMP	
105	2	1638313201	WIRING DOT	
110	1	0147124403	SCREW:M 6X 12;HEX HD,ZN PLT,\$S	
120	1	1088001906	CONTACT LOCK WASHER	
800	1	1638937302	LABEL	

Go to Discount-Equipment.com to order your parts



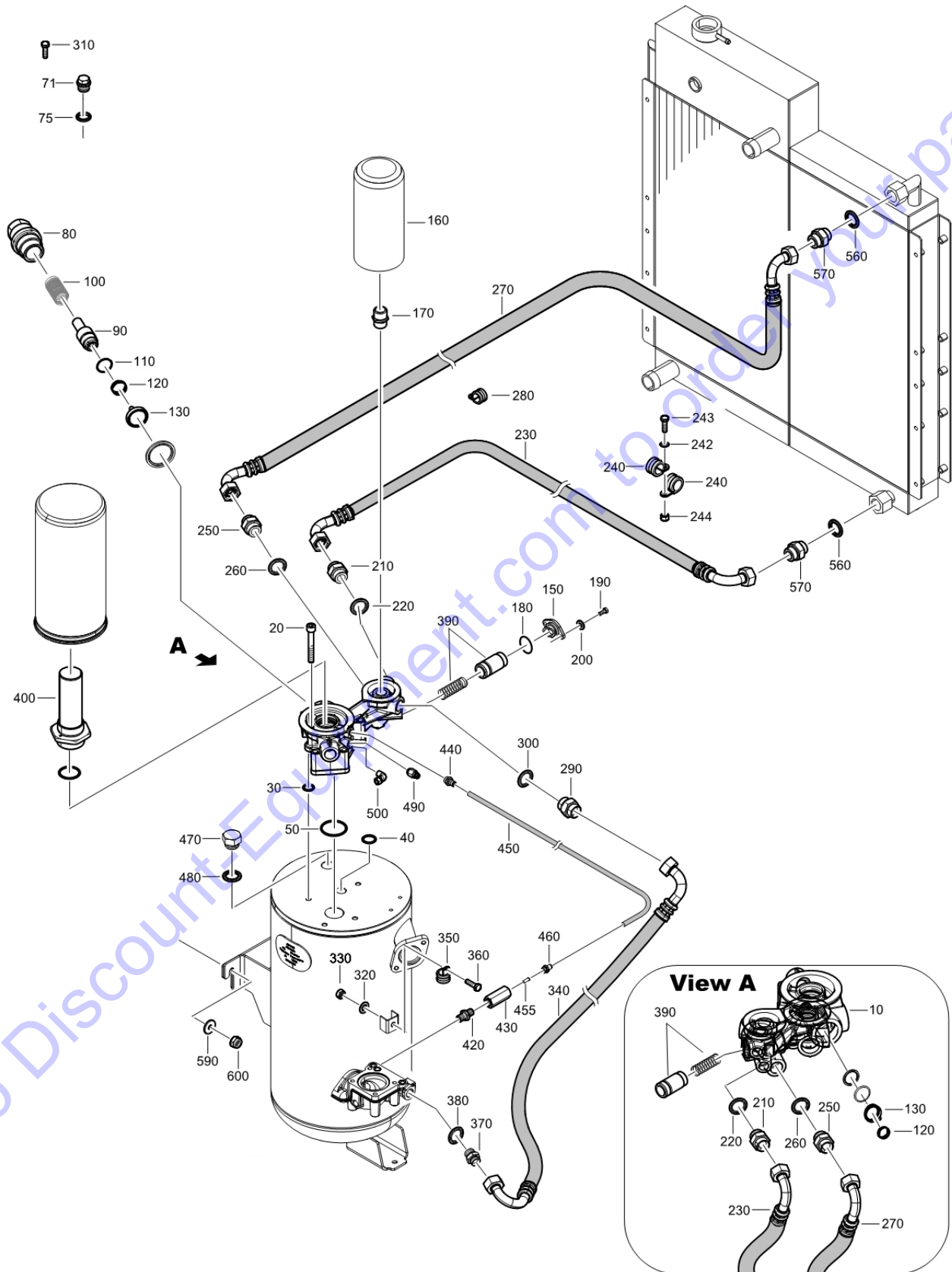
Id	Qty	Number	Name	Specifications
10	1	1638373583	BUMPER NO ROADS CP	
20	11	1619276600	SCR.BOLT M8X20	
30	1	1638329802	HINGE -	
50	2	1605002501	ROD CONNECTING	
60	1	0147124403	SCREW:M 6X 12;HEX HD,ZN PLT,\$S	
70	1	1088001906	CONTACT LOCK WASHER	

Go to Discount-Equipment.com to order your parts



Id	Qty	Number	Name	Specifications
10	2	1604186900	BUFFER	
20	12	1615566400	BOLT-SCRAPER:M8X25, 8.8 FZB	
30	3	1619556200	SEAL	
50	2	1638333802	BRACKET	
60	1	1638378982	BAFFLE	
110	2	1638396400	BUFFER -	
120	1	1638442401	Support plate	
140	2	0348011003	PLATE ANCHOR	

Go to Discount-Equipment.com to order your parts

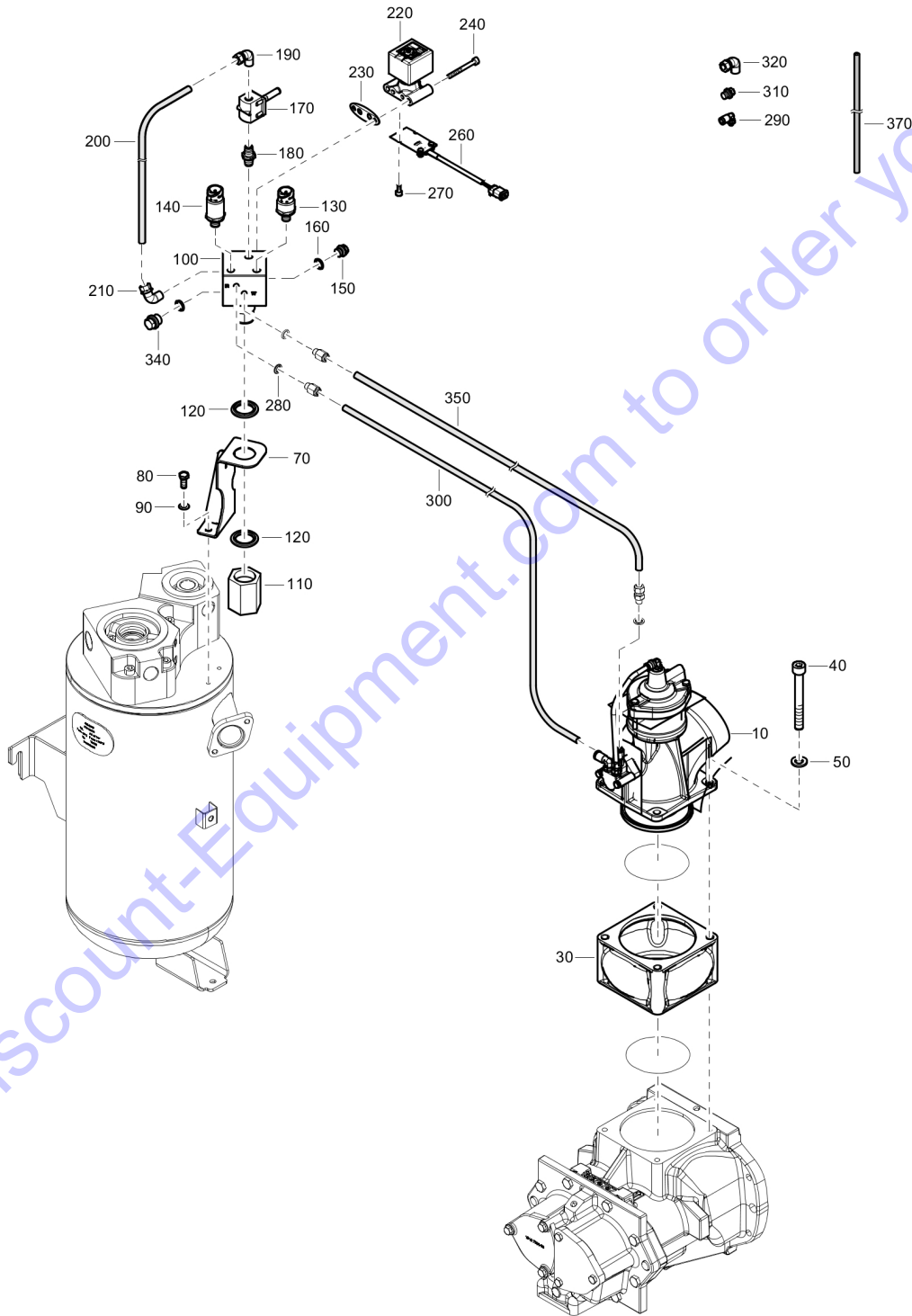




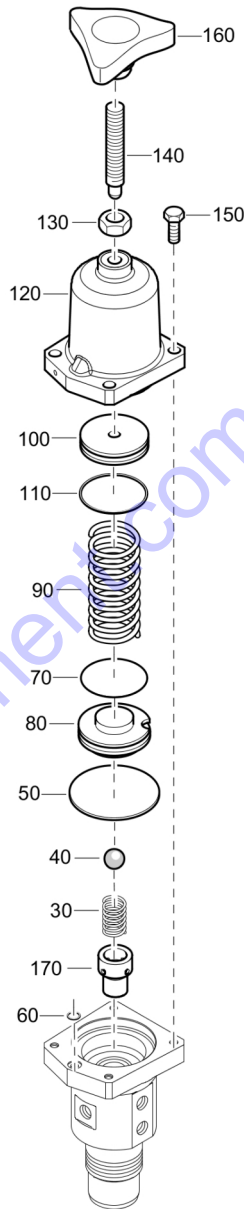
Id	Qty	Number	Name	Specifications
10	1	1638265301	MANIFOLD	
20	4	0211137103	HEX SOCK. SCREW	
30	1	0663211684	O-RING	
40	1	0663211685	O-RING 21.89X2.62	
50	1	0663211686	O-RING 45.69X2.62	
71	1	0686371602	PLUG G 1/2	
75	1	0661103300	SEAL WASHER	
80	1	1626511800	NIPPLE	
90	1	1626513400	PISTON	
100	1	1626516500	SPRING	
110	1	0663211178	O-RING	
120	1	1622052500	SPRING	
130	1	1626515900	VALVE DISC	
150	1	1614611800	FLANGE THERMOSTAT	
160	1	6211472200	OIL FILTER	
170	1	1619377001	NIPPLE	
180	1	1638826100	O-RING 34 X 2	
190	2	0147124603	HEX. BOLT M6X16X8.8	
200	2	0301232100	PLAIN WASHER(A) 6.4 X 12 X 1.6	
210	1	1079584029	NIPPLE M26 - G3/4"	
220	1	0661103800	SEALING WASHER	
230	1	1638276001	HOSE ASSEMBLY	
240	2	0346100210	CLAMP	
242	1	0333322700	LOCK WASHER	
243	1	0147132503	HEX. HEAD SCREW	
244	1	0266211000	HEXAGON NUT M8	
250	1	1079584029	NIPPLE M26 - G3/4"	
260	1	0661103800	SEALING WASHER	
270	1	1638276101	HOSE ASSEMBLY	
280	1	0346100209	PIPE CLAMP	
290	1	1079584029	NIPPLE M26 - G3/4"	
300	1	0661103800	SEALING WASHER	
310	1	0147132303	SCREW HEXAGON	
320	1	0301233500	PLAIN WASHER(A) 8.4 X 16 X 1.6	
330	1	0261211000	NUT M8	
340	1	1638275001	HOSE ASSEMBLY	
350	1	0346100209	PIPE CLAMP	
360	1	0147132303	SCREW HEXAGON	
370	1	1079584015	NIPPLE M26-G1/2	
380	1	0661103300	SEAL WASHER	
390	1	1619759500	THERMOSTAT 70°C	
400	1	2204184680	NIPPLE HEXAGON	
420	1	0581202536	NIPPLE	
430	1	0823005009	NON RETURN VALVE	
440	1	0583810152	FITTING PIPE	
450	1	0070600248	HOSE TUBO RILSAN 6X4 TRASP.	
455	1	1626974001	NOZZLE	
460	1	0583810152	FITTING PIPE	

Id	Qty	Number	Name	Specifications
470	1	1615508000	PLUG:VESSEL, G3/4, RELIEF CUT	
480	1	0661103800	SEALING WASHER	
490	1	0583810084	COUPLING	
500	1	0583812162	COUPLING	
560	2	0661103800	SEALING WASHER	
570	2	1079584029	NIPPLE M26 - G3/4"	
590	3	0300027621	WASHER	
600	3	0291112818	PORCA TRAVA M8	

Go to Discount-Equipment.com to order your parts



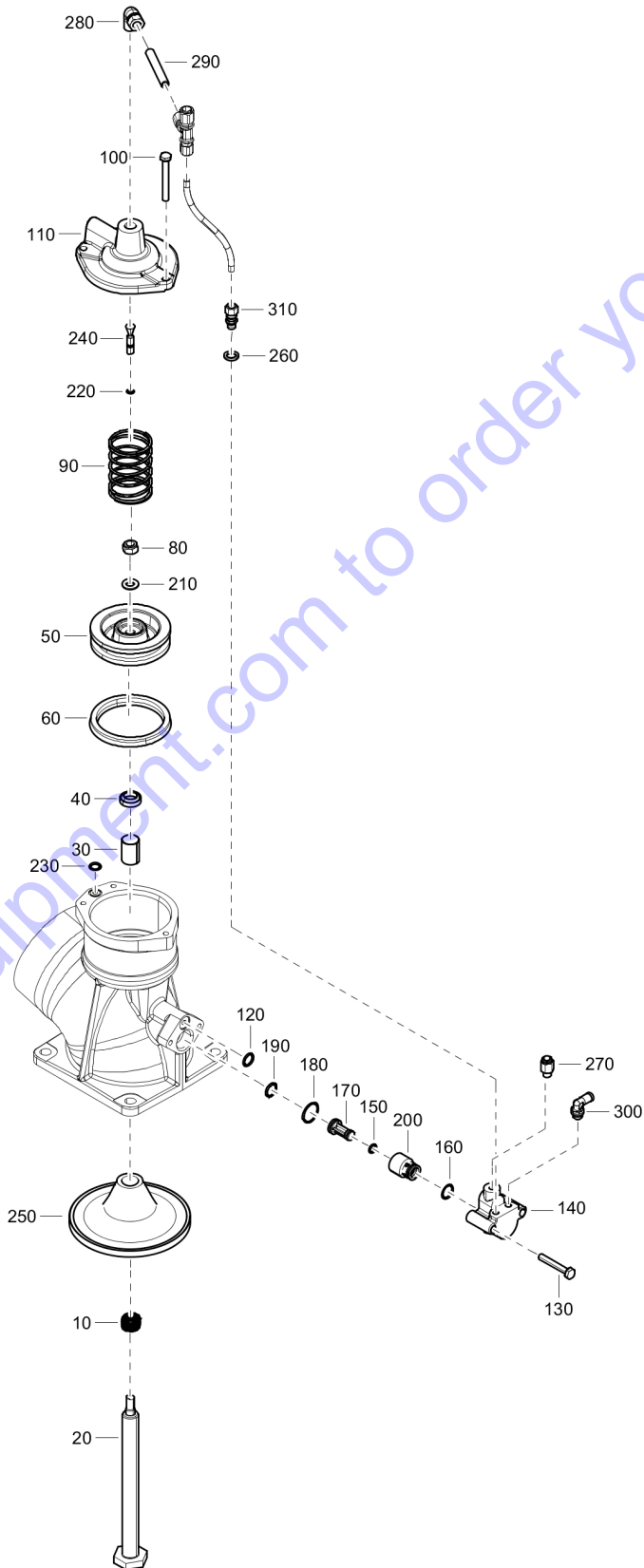
<b>Id</b>	<b>Qty</b>	<b>Number</b>	<b>Name</b>	<b>Specifications</b>
10	1	1638205882	UNLOADER	
30	1	1638218100	MANIFOLD	
40	4	0211137900	SCREW	
50	4	0301234400	PLAIN WASHER M10	
70	1	1638225901	SUPPORT	
80	2	0147132203	HEX. BOLT	
90	2	0301233500	PLAIN WASHER(A) 8.4 X 16 X 1.6	
100	1	1638135804	MANIFOLD	
110	1	1626516302	MANIFOLD	
120	2	0661104900	SEAL WASHER	
130	1	1607852288	PRESSURE SENSOR	
140	1	1607852293	PRESS. SENSOR:0 TO 3 BAR IP67	
150	1	0686420203	PLUG 1/4"	
160	1	0653107000	GASKET 14 X 18 X 1.5	
170	1	1089951504	VALVE-SOLENOID:12V	1/4G
180	1	0603410203	NIPPLE	
190	1	0583812162	COUPLING	
200		0070600205	PLASTIC TUBE	
210	1	0583812162	COUPLING	
220	1	1638201401	VALVE:PROPORTIONAL SOLENOID	
230	1	1638201600	GASKET:HEATER CORE PACE	
240	2	0211125503	HEX SOC SCREW	
260	1	1638201700	HEATER CORE: PACE MANIFOLD	
270	2	0211117003	SCREW:M4X10 SHCS	
280	1	0653104300	GASKET	
290	1	0583812138	ELBOW	
300		0070600205	PLASTIC TUBE	
310	1	0686420103	PLUG 1/8 AA	
320	1	0583812162	COUPLING	
340	1	0686420203	PLUG 1/4"	
350		0070600205	PLASTIC TUBE	
370		0070600205	PLASTIC TUBE	



Go to Discount-Equipment.com to order your parts

Id	Qty	Number	Name	Specifications
30	1	2252419700	SPRING	
40	1	0517142000	BEARING BALL	
50	1	2252406000	MEMBRANE	
60	1	0663611200	O-RING 5.1 X 1.6	
70	1	0663313200	O-RING 36,2 X 3	
80	1	2252405800	SPRING GUIDE	
90	1	2252142800	SPRING	
100	1	2252405901	SPRING SEAT	
110	1	0663313100	O-RING	
120	1	1626577700	SPRING COVER	
130	1	0266211000	HEXAGON NUT M8	
140	1	1604084902	SCREW	
150	4	0147124903	HEX. BOLT M6X25X8.8	
160	1	1604085003	HANDLE	
170	1	2252405700	CAGE	

Go to Discount-Equipment.com to order your parts



<b>Id</b>	<b>Qty</b>	<b>Number</b>	<b>Name</b>	<b>Specifications</b>
10	1	1604030801	SPRING	
20	1	1604030700	PISTON ROD (UNL.VALVE)	
30	1	0500451033	BEARING	
40	1	0665910049	WIPER	
50	1	1604031000	PISTON (UNLOADING VALVE)	
60	1	1613726200	PISTON RING	
80	1	0291111000	LOCK NUT M8	
90	1	1638202900	SPRING COMPRESSION	
100	3	0147196276	HEX. HEAD SCREW M6X50-8.8	
110	1	1604031201	HOUSING VALVE	
120	1	0663611800	O-RING	
130	2	0147125203	Hexagon bolt	
140	1	1615834402	HOUSING	
150	1	0663611400	O-ring	
160	1	0663712000	O-RING	
170	1	1615767300	VALVE	
180	1	0663712600	O-RING	
190	1	0663711900	O-RING	
200	1	1615834501	BUSHING	
210	1	0301233500	PLAIN WASHER(A) 8.4 X 16 X 1.6	
220	1	0663611100	O-RING	
230	1	0663711600	O-RING 9.1X1.6	
240	1	1604031300	VALVE	
250	1	1604030901	VALVE	
260	1	0653104300	GASKET	
270	1	0583810076	ELBOW COUPLING	
280	1	0583812162	COUPLING	
290		0070600205	PLASTIC TUBE	
300	1	0583812138	ELBOW	
310	1	0582120006	PIPE COUPLING	



**Tampering with noise control system prohibited.**  
Federal law prohibits the following acts or the causing thereof:

(1) The removal or rendering inoperative by any persons, other than for purposes of maintenance repair or replacement of any device or element of design incorporated into any new compressor for the purpose of noise control prior to its sale or delivery to the ultimate purchaser or while it is in use; or

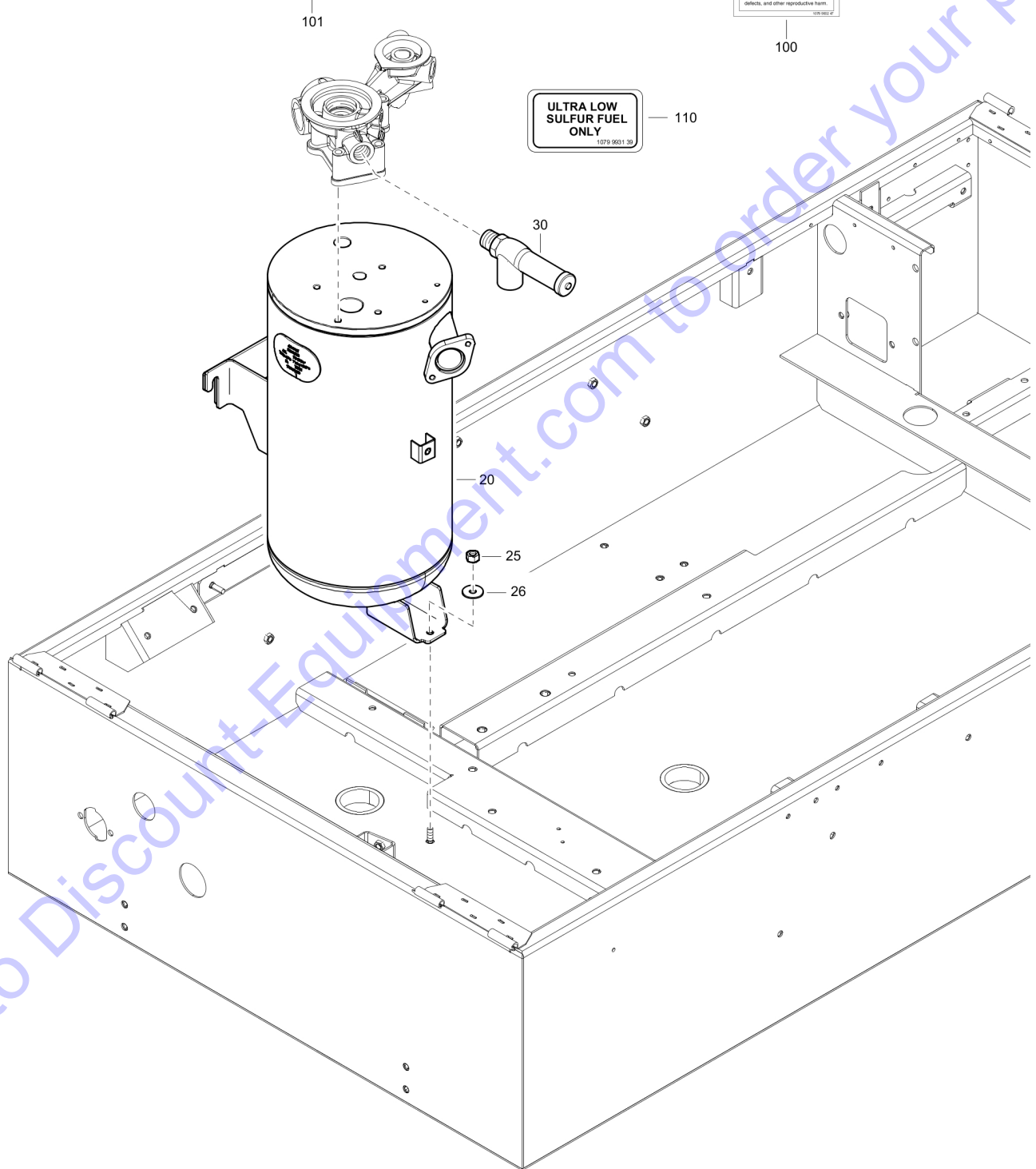
(2) The use of the compressor after such device or element of design has been removed or rendered inoperative by any person.

Among those acts included in the prohibition against tampering are the acts listed below:

1. Removal or rendering inoperative any of the following:
  - a. engine exhaust muffler
  - b. cooling air exhaust and intake silencers
  - c. acoustic baffles
  - d. housing components, canopy, or bottom panel.
  - e. engine or compressor mounts
  - f. inlet air throttling system
2. Removal of any of the following:
  - a. sound absorptive material, including sealing strips on doors, panels and other canopy parts
  - b. fan shroud
3. Operation of the compressor with any of the enclosure doors open.

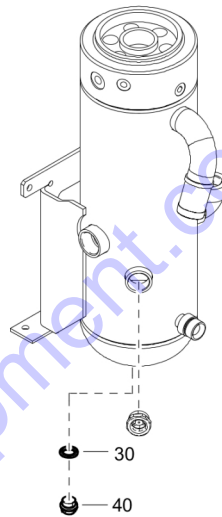
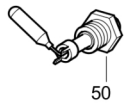
1079 9931 39

**CALIFORNIA Proposition 65 Warning**  
Diesel engine exhaust and some of its constituents are known to the State of California to cause cancer, birth defects, and other reproductive harm.  
1079 9931 39



Id	Qty	Number	Name	Specifications
20	1	1638178481	Vessel	
25	3	0266211000	HEXAGON NUT M8	
26	3	0300801900	WASHER-FLAT:M 8.40/25.0X2.0T	
30	1	0832100128	SAFETY VALVE	
100	1	1638530300	DECAL	
101	1	1079993186	DECAL	
110	1	1079993139	Decal	

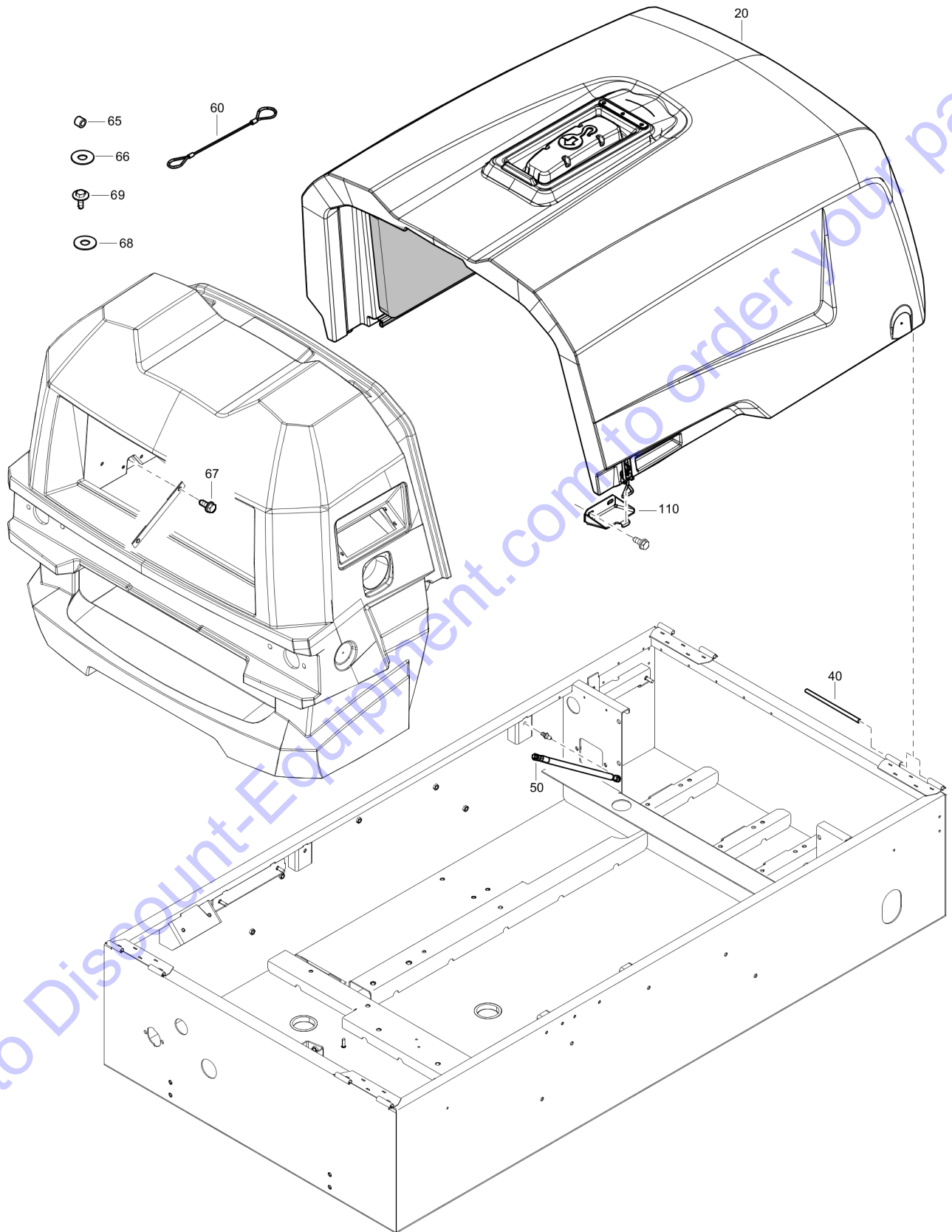
Go to Discount-Equipment.com to order your parts



Go to Discount-Equipment.com to order your parts

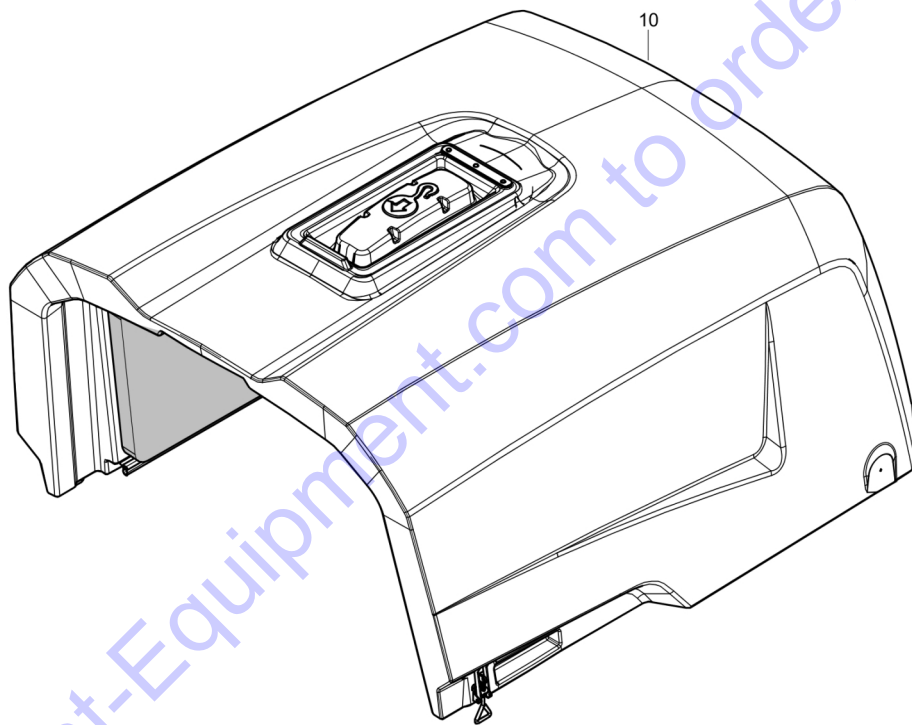
Id	Qty	Number	Name	Specifications
30	1	0661103300	SEAL WASHER	
40	1	0686371602	PLUG G 1/2	
50	1	1616510800	LEVEL GAUGE	

Go to Discount-Equipment.com to order your parts



Id	Qty	Number	Name	Specifications
20	1	1638373486	HOOD	
40	2	1605002501	ROD CONNECTING	
50	2	1638288200	SPRING GAS	
60	2	1638855401	CABLE	
65	4	0324100038	DISTANCE SLEEVE	
66	4	0300027460	PLAIN WASHER	
67	2	1619276600	SCR.BOLT M8X20	
68	4	0301233500	PLAIN WASHER(A) 8.4 X 16 X 1.6	
69	2	1615566400	BOLT-SCRAPER:M8X25, 8.8 FZB	
110	2	1638331104	CATCH	

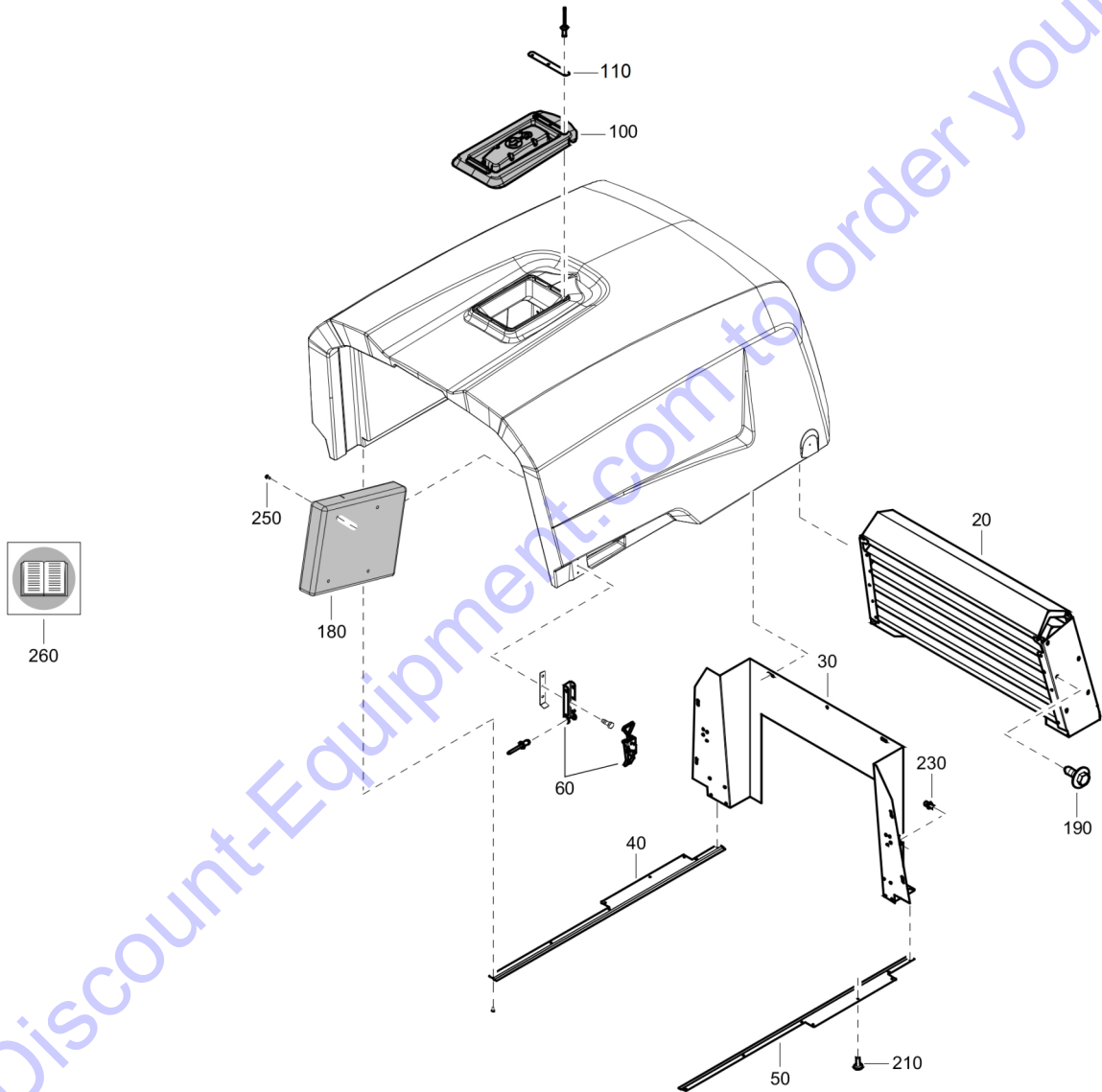
Go to Discount-Equipment.com to order your parts



Id	Qty	Number	Name	Specifications
10	1	1638373486	HOOD	

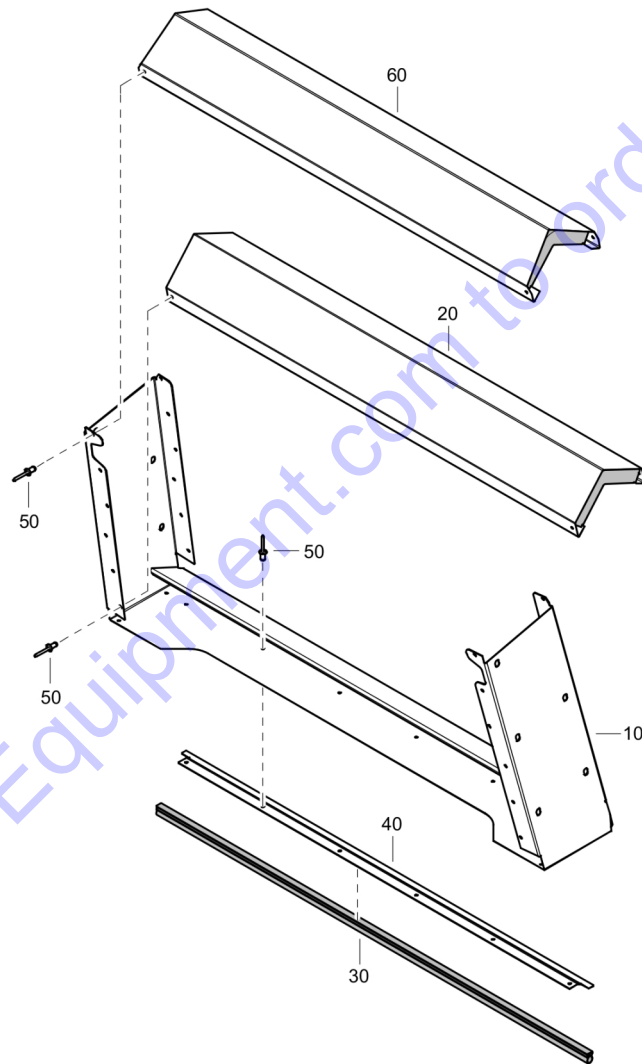
Go to Discount-Equipment.com to order your parts





Id	Qty	Number	Name	Specifications
20	1	1638378581	BAFFLE	
30	1	1638337800	PLATE COVER	
40	1	1638328101	Function plate	
50	1	1638327901	Function plate	
60	2	1638525700	LATCH	
100	1	1638661700	COVER PROTECT.	
110	1	1638343600	BRACKET	
180	1	1604220600	HOLDER	
190	17	1615566400	BOLT-SCRAPER:M8X25, 8.8 FZB	
210	12	0226333003	SCREW CAP	
230	2	1626310800	BALL STUD	
250	4	0226004709	SCREW	
260	1	1079992207	INFORMATION LABEL	

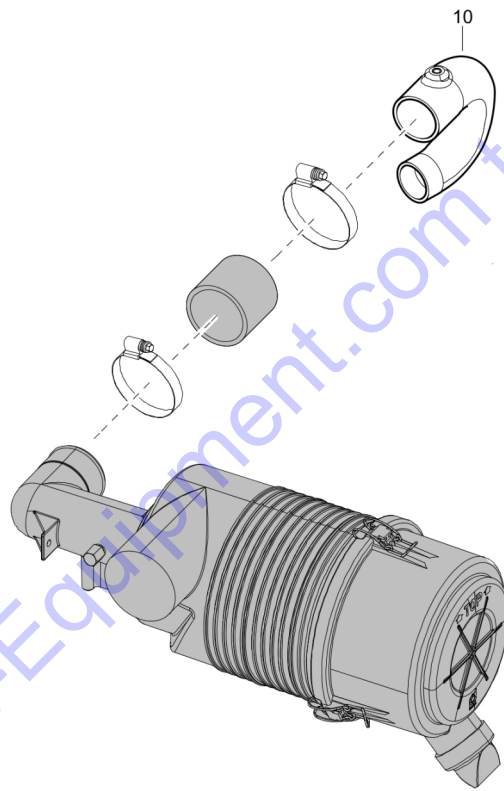
Go to Discount-Equipment.com to order your parts



Go to Discount-Equipment.com to order your parts

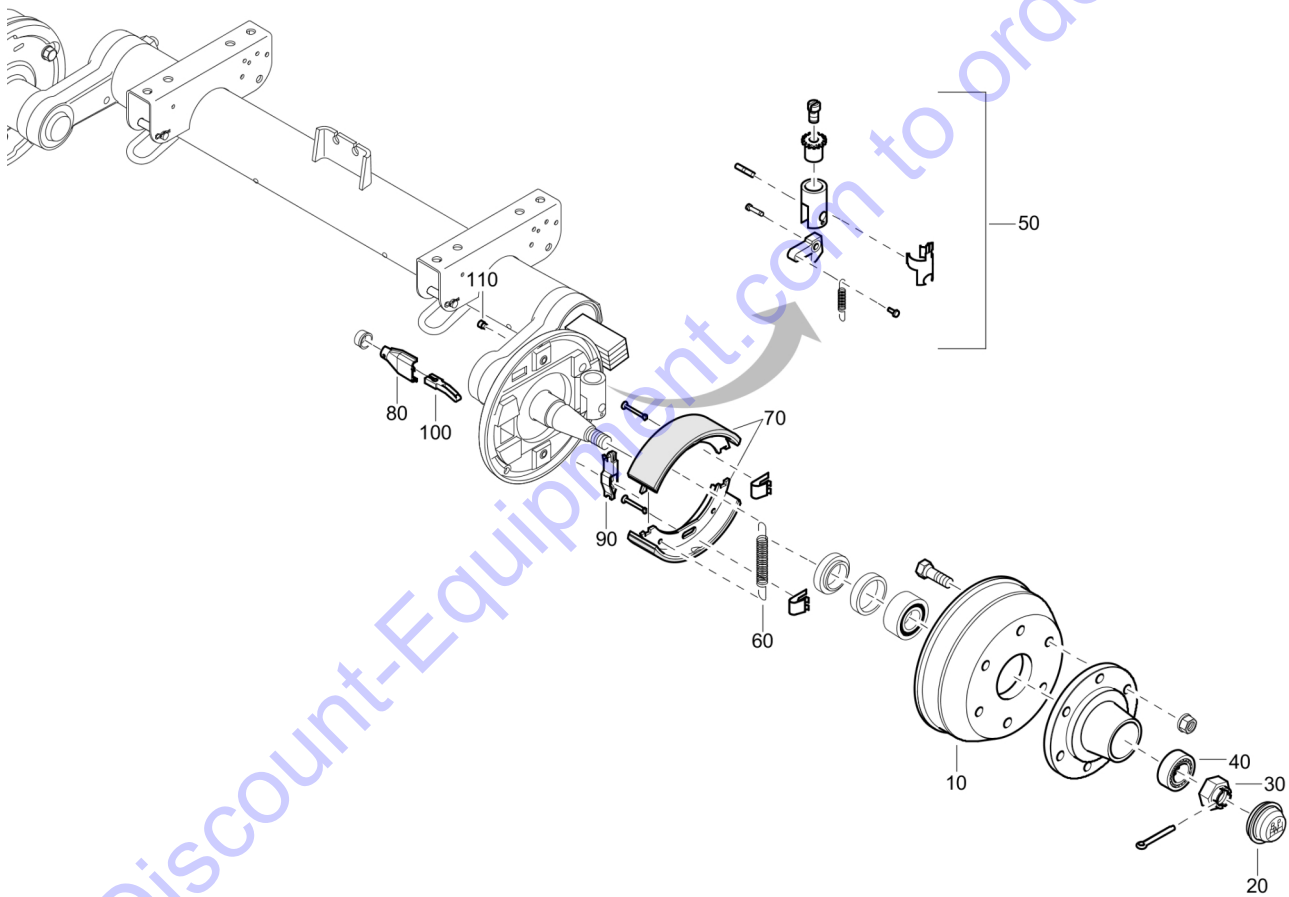
Id	Qty	Number	Name	Specifications
10	1	1638378500	Plate function	
20	3	1638378480	Baffle	
30		1604431700	SEAL	
40	1	1638378600	Plate function	
50	30	0129317700	BLIND RIVET	
60	3	1638378780	Baffle	

Go to Discount-Equipment.com to order your parts



Id	Qty	Number	Name	Specifications
----	-----	--------	------	----------------

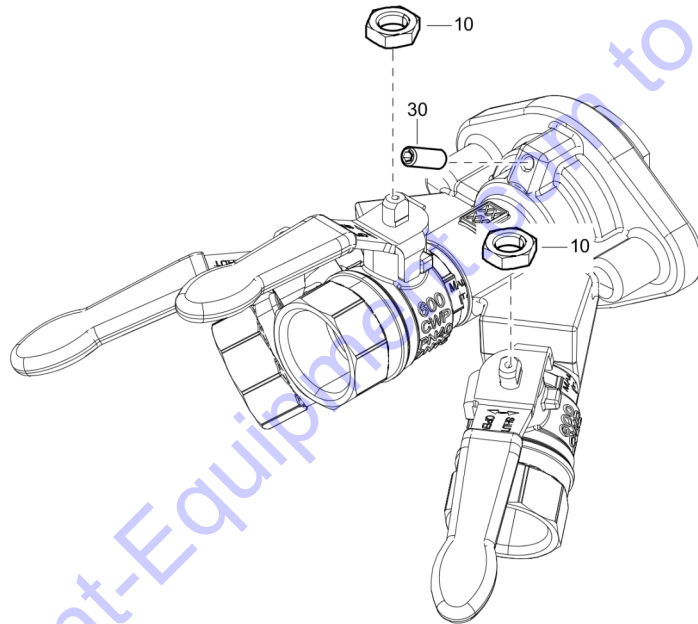
Go to Discount-Equipment.com to order your parts



Id	Qty	Number	Name	Specifications
10	2	2914102600	BRAKE HUB COMPLETE	
20	2	2914102601	HUB CAP	
30	2	2914102602	NUT	
40	2	2914102603	BEARING BALL	
50	2	2914102604	ADJUSTING SET	
60	2	2914102605	Spring compression	
70	1	2914102606	BRAKE SHOE SET	
80	2	2914102607	SPREAD LEVER	
90	2	2914102608	CLASP	
100	2	2914102609	SHACKLE	
110	2	2914102700	SEALING PLUG	

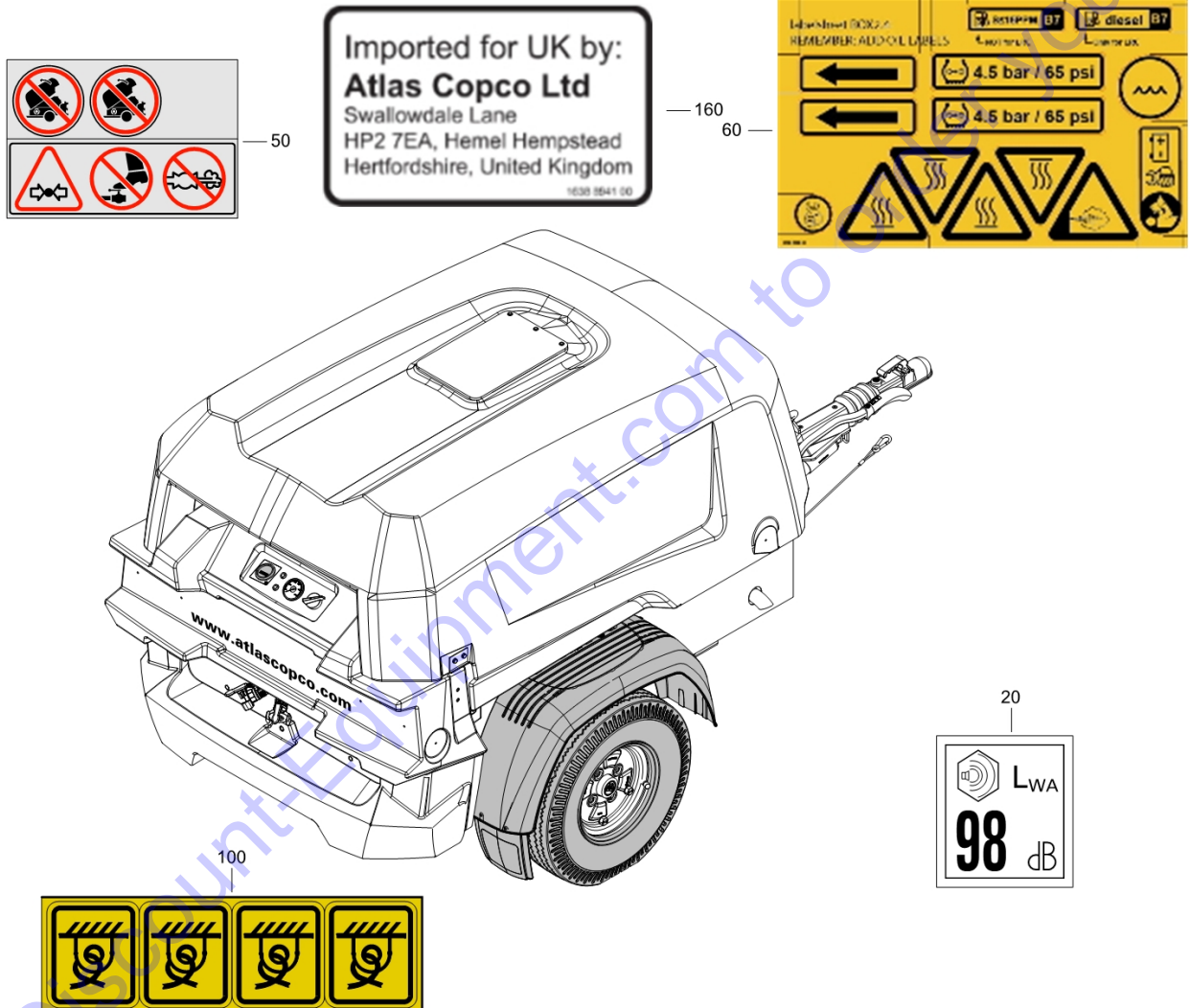
Go to Discount-Equipment.com to order your parts





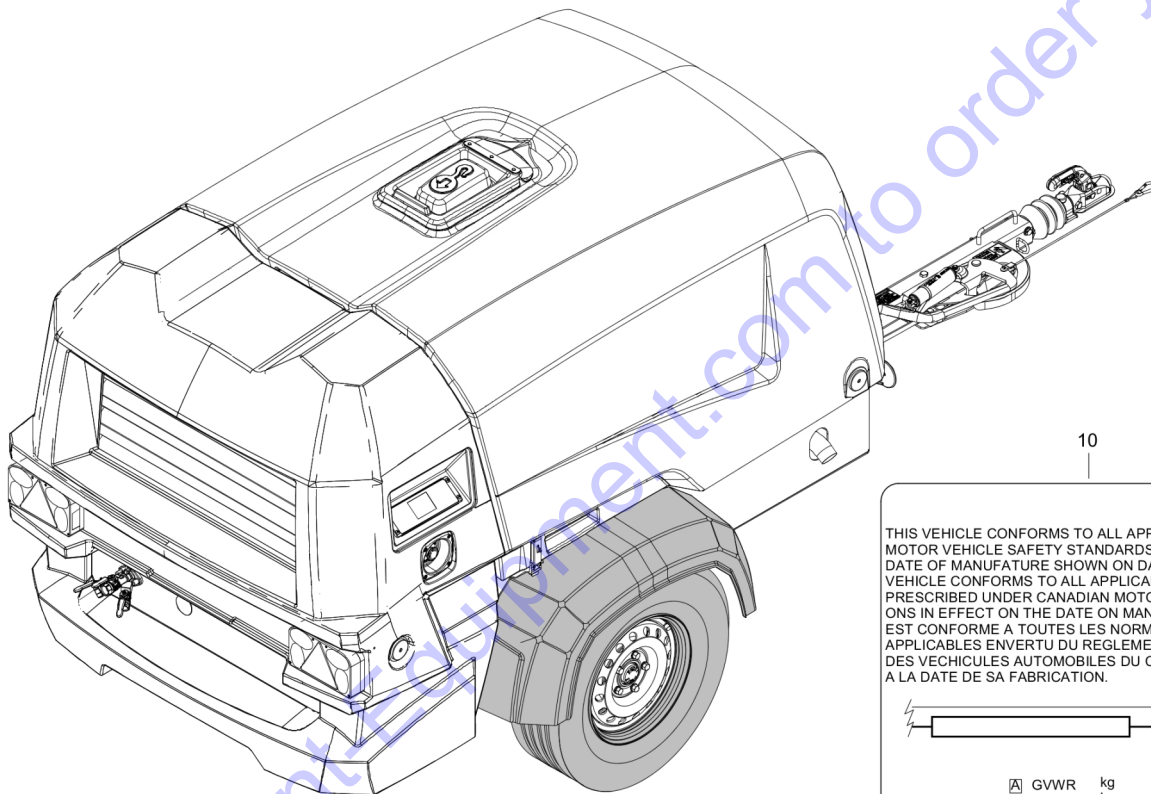
<b>Id</b>	<b>Qty</b>	<b>Number</b>	<b>Name</b>	<b>Specifications</b>
10	3	0261210800	HEXAGON NUT M6	
30	1	0196155263	SET SCREW	

Go to Discount-Equipment.com to order your parts



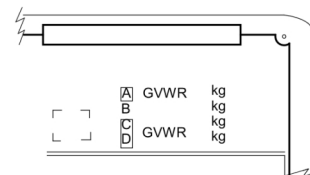
Id	Qty	Number	Name	Specifications
20	1	1604331709	LABEL NOISE 98	
50	1	1638247300	DECAL WARNING	
60	1	1638508201	DECAL SYMBOLS	
100	1	1638766800	TIE DOWN MARKTING	
160	1	1638894100	LABEL	

Go to Discount-Equipment.com to order your parts



10

THIS VEHICLE CONFORMS TO ALL APPLICABLE U.S.FEDERAL MOTOR VEHICLE SAFETY STANDARDS IN EFFECT ON THE DATE OF MANUFACTURE SHOWN ON DATAPLATE.THIS VEHICLE CONFORMS TO ALL APPLICABLE STANDARDS PRESCRIBED UNDER CANADIAN MOTOR SAFETY REGULATIONS IN EFFECT ON THE DATE ON MANUFACTURE/CE VEHICULE EST CONFORME A TOUTES LES NORMES QUI LUI SONT APPLICABLES ENVERTU DU REGLEMENT SUR LA SECURITE DES VECHICULES AUTOMOBILES DU CANADA EN VIGUEUAR A LA DATE DE SA FABRICATION.



GVWR - GAWR  
see dataplate

1638 4430 00

Id	Qty	Number	Name	Specifications
10	1	1638443000	DECAL INSTRUCT.	

Go to Discount-Equipment.com to order your parts

# PARTS FINDER

**Search Website  
by Part Number**



**Search Manual  
Library For Parts  
Manual & Lookup Part  
Numbers – Purchase  
or Request Quote**

**Search Manuals**

Enter your information to help us find the right parts manual for your machine.

\* Brand:

\* Model:

\* Serial:

\* Part Number:

SEARCH

**Can't Find Part or  
Manual? Request Help  
by Manufacturer,  
Model & Description**

**Parts Order Form**

Please fill in the following information to help us find the right part for your machine.

MANUFACTURER:

MODEL:

DESCRIPTION:

SEARCH

Discount-Equipment.com is your online resource for quality parts & equipment.

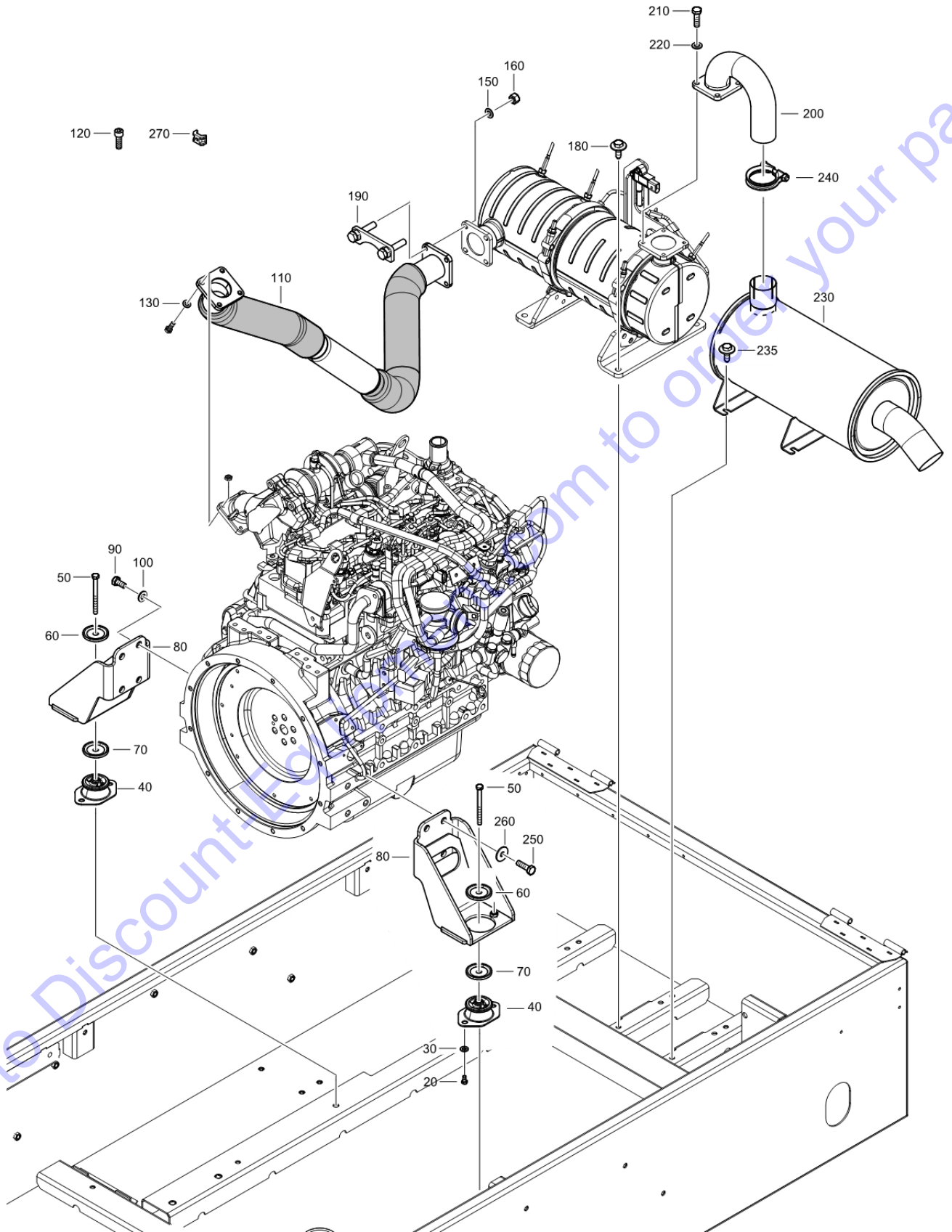
Florida: **561-964-4949** Outside Florida TOLL FREE: **877-690-3101**

**Need parts?**

Click on this link: <http://www.discount-equipment.com/category/5443-parts/> and choose one of the options to help get the right parts and equipment you are looking for. Please have the machine model and serial number available in order to help us get you the correct parts. If you don't find the part on the website or on one of the online manuals, please fill out the request form and one of our experienced staff members will get back to you with a quote for the right part that your machine needs.

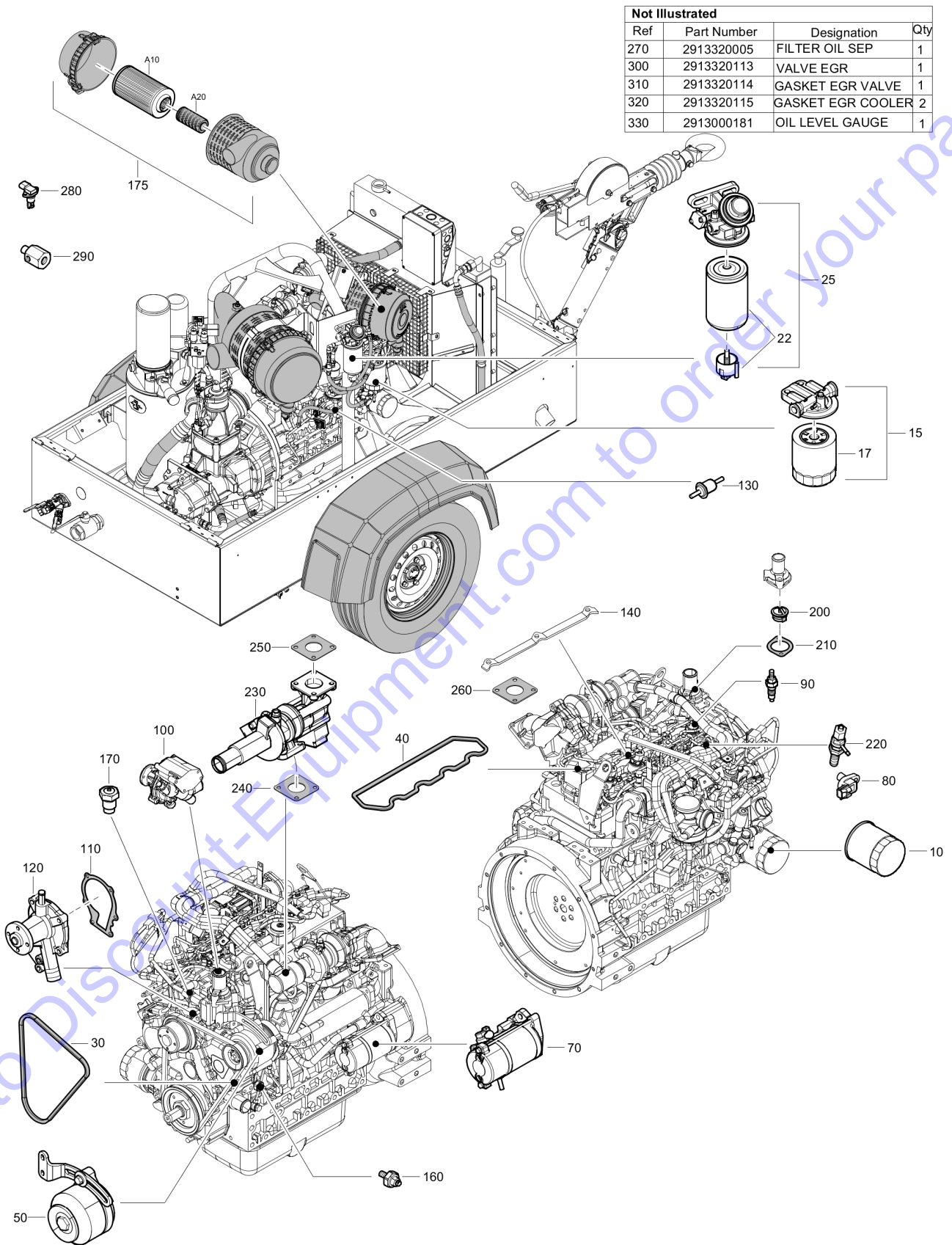
We sell worldwide for the brands: Genie, Terex, JLG, MultiQuip, Mikasa, Essick, Whiteman, Mayco, Toro Stone, Diamond Products, Generac Magnum, Airman, Haulotte, Barreto, Power Blanket, Nifty Lift, Atlas Copco, Chicago Pneumatic, Allmand, Miller Curber, Skyjack, Lull, Skytrak, Tsurumi, Husquvarna Target, Stow, Wacker, Sakai, Mi-T-M, Sullair, Basic, Dynapac, MBW, Weber, Bartell, Bennar Newman, Haulotte, Ditch Runner, Menegotti, Morrison, Contec, Buddy, Crown, Edco, Wyco, Bomag, Laymor, EZ Trench, Bil-Jax, F.S. Curtis, Gehl Pavers, Heli, Honda, ICS/PowerGrit, IHI, Partner, Imer, Clipper, MMD, Koshin, Rice, CH&E, General Equipment, Amida, Coleman, NAC, Gradall, Square Shooter, Kent, Stanley, Tamco, Toku, Hatz, Kohler, Robin, Wisconsin, Northrock, Oztec, Toker TK, Rol-Air, APT, Wylie, Ingersoll Rand / Doosan, Innovatech, Con X, Ammann, Mecalac, Makinex, Smith Surface Prep, Small Line, Wanco, Yanmar





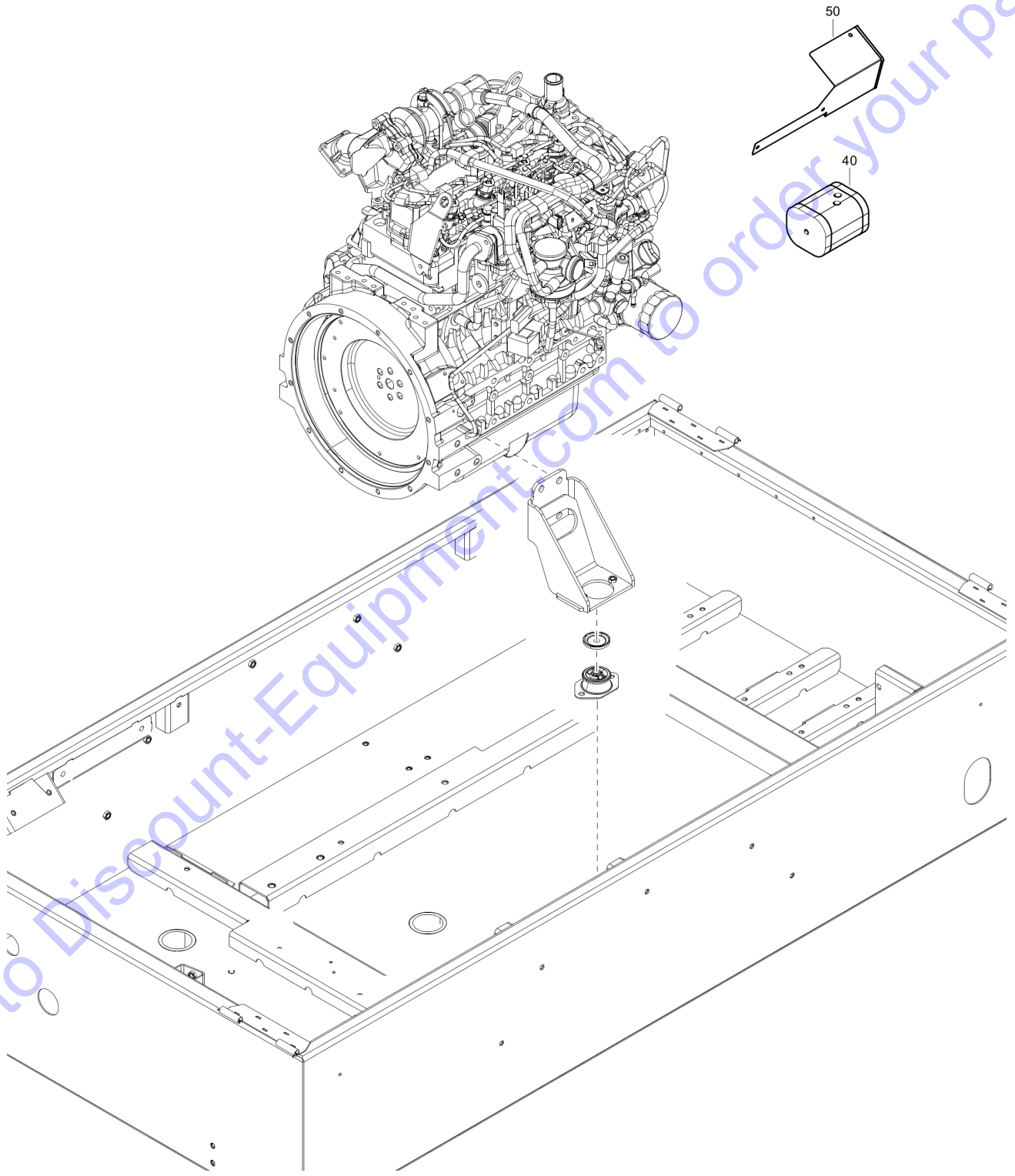


<b>Id</b>	<b>Qty</b>	<b>Number</b>	<b>Name</b>	<b>Specifications</b>
20	6	0147195950	HEX. HEAD SCREW	
30	6	3315019508	LOCK WASHER	
40	2	1615830900	ANTIVIBRATION PAD	
50	2	0211110607	HEX SOCK. SCREW	
60	2	1202871900	WASHER PLAIN	
70	2	1202871900	WASHER PLAIN	
80	2	1638204901	SUPPORT	
90	4	0147132303	SCREW HEXAGON	
100	4	0333520015	M8 NORDLOCK WASHER	
110	1	1638211703	PIPE	
120	4	0211132503	HEX SOCK. SCREW M8 X 25	
130	4	0333210836	WASHER PLAIN	
150	4	0301233500	PLAIN WASHER(A) 8.4 X 16 X 1.6	
160	4	0266211000	HEXAGON NUT M8	
180	4	1615566400	BOLT-SCRAPER:M8X25, 8.8 FZB	
190	2	1638219380	SUPPORT	
200	1	1638286600	PIPE	
210	4	0147132503	HEX. HEAD SCREW	
220	4	0301233500	PLAIN WASHER(A) 8.4 X 16 X 1.6	
230	1	1638286501	MUFFLER	
235	4	1615566400	BOLT-SCRAPER:M8X25, 8.8 FZB	
240	1	0346300108	Pipe clamp	
250	4	0147132503	HEX. HEAD SCREW	
260	4	0300027621	WASHER	
270	6	0348011003	PLATE ANCHOR	



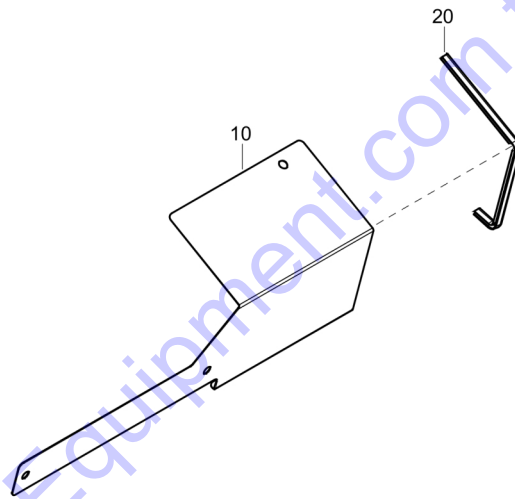
Not Illustrated			
Ref	Part Number	Designation	Qty
270	2913320005	FILTER OIL SEP	1
300	2913320113	VALVE EGR	1
310	2913320114	GASKET EGR VALVE	1
320	2913320115	GASKET EGR COOLER	2
330	2913000181	OIL LEVEL GAUGE	1

<b>Id</b>	<b>Qty</b>	<b>Number</b>	<b>Name</b>	<b>Specifications</b>
10	1	2913307200	FILTER OIL	
15	1	2913320118	FUEL FILTER ASSY	
17	1	2913320003	FILTER FUEL	
22	1	2913320002	FILTER FUEL WATER SEPARATOR	
25	1	2913320116	FILTER FUEL WS	
30	1	2913320001	BELT V	
40	1	2913307500	GASKET ROCKER COVER	
50	1	1636301038	ALTERNATOR	
70	1	2913307800	STARTER MOTOR	
80	1	2913320117	SPEED PICKUP	
90	1	1636301277	GLOW PLUG	
100	1	2913320100	COOLANT PUMP ASSEMBLY	
110	1	2913316800	GASKET WATERPUMP	
120	1	2913320101	PUMP FUEL ELECTRIC	
130	1	2913320102	PUMP FUEL ASSEMBLY	
140	1	2913320103	PUMP FUEL COMMON RAIL	
160	1	2913320104	SWITCH PRESS OIL	
170	1	2913320105	SENSOR TEMP. COOLANT	
175	1	2913320412	AIR FILTER, ASSY	
200	1	1636301279	ASSY THERMOSTAT	
210	1	2913312200	GASKET THERMOSTAT	
220	4	2913320107	INJECTOR	
230	1	2913320108	TURBOCHARGER ASSEMBLY	
240	1	2913320109	GASKET TURBOCHARGER	
250	1	2913320110	GASKET TURBOCHARGER	
260	1	1636301053	GASKET MUFFLER	
270	1	2913320005	FILTER OIL SEP (ENGINE)	
280	1	2913320111	SENSOR BOOST	
290	1	2913320112	VALVE THROTTLE ASSY	
300	1	2913320113	VALVE EGR	
310	1	2913320114	GASKET EGR VALVE	
320	2	2913320115	GASKET EGR COOLER	
330	1	2913000181	OIL LEVEL GAUGE	



<b>Id</b>	<b>Qty</b>	<b>Number</b>	<b>Name</b>	<b>Specifications</b>
40	1	1638920600	HEAT BLANKET	
50	1	1638917580	COVER	

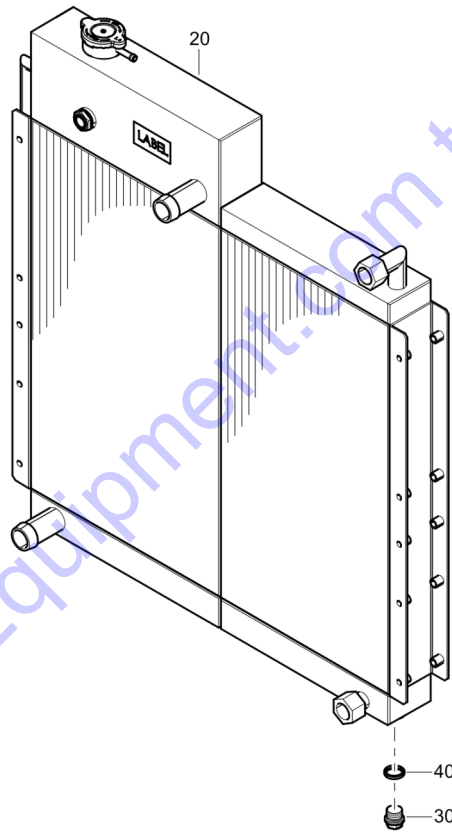
Go to Discount-Equipment.com to order your parts



Go to Discount-Equipment.com to order your parts

<b>Id</b>	<b>Qty</b>	<b>Number</b>	<b>Name</b>	<b>Specifications</b>
10	1	1638917500	BRACKET	
20	1	1503105600	SEAL	

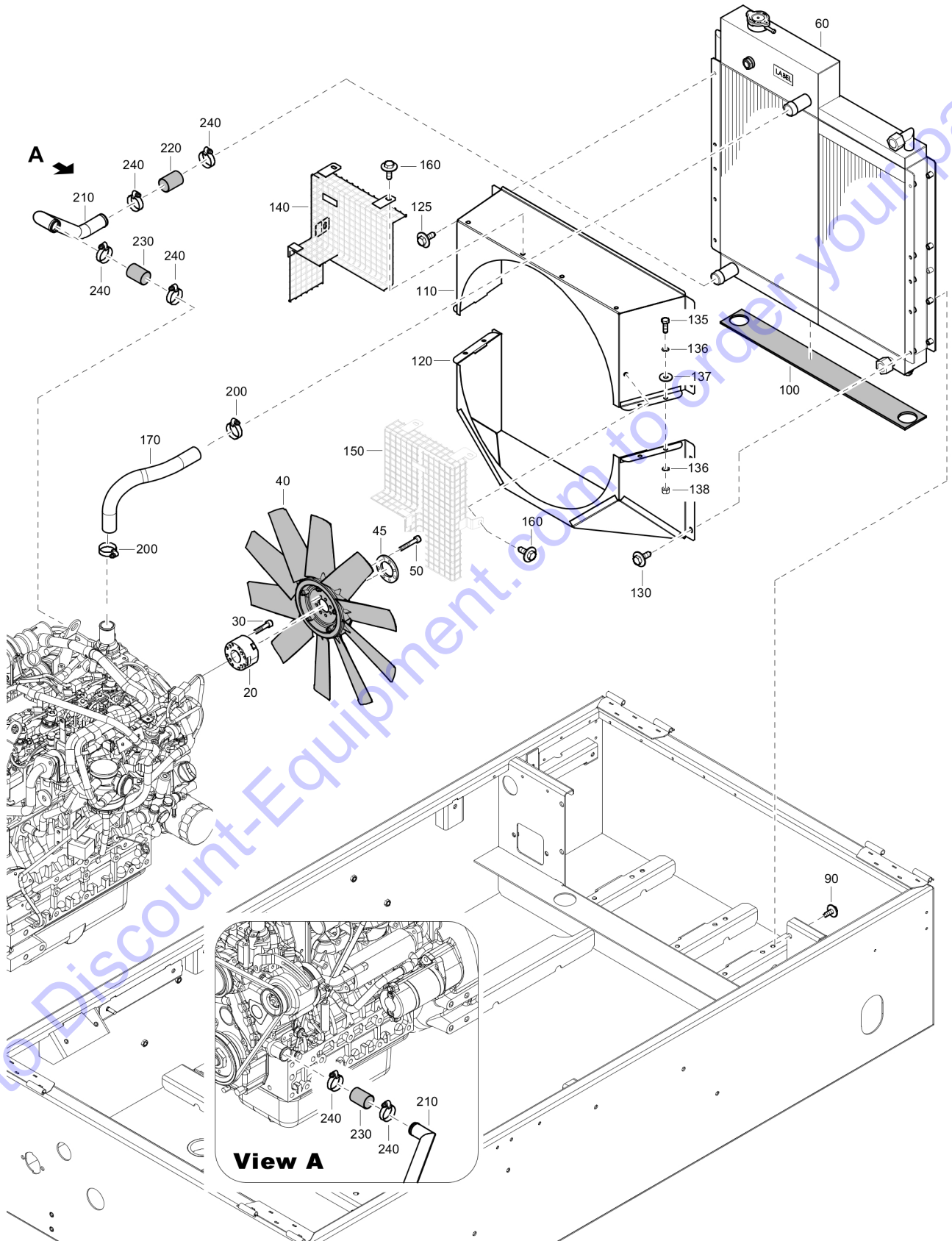
Go to Discount-Equipment.com to order your parts





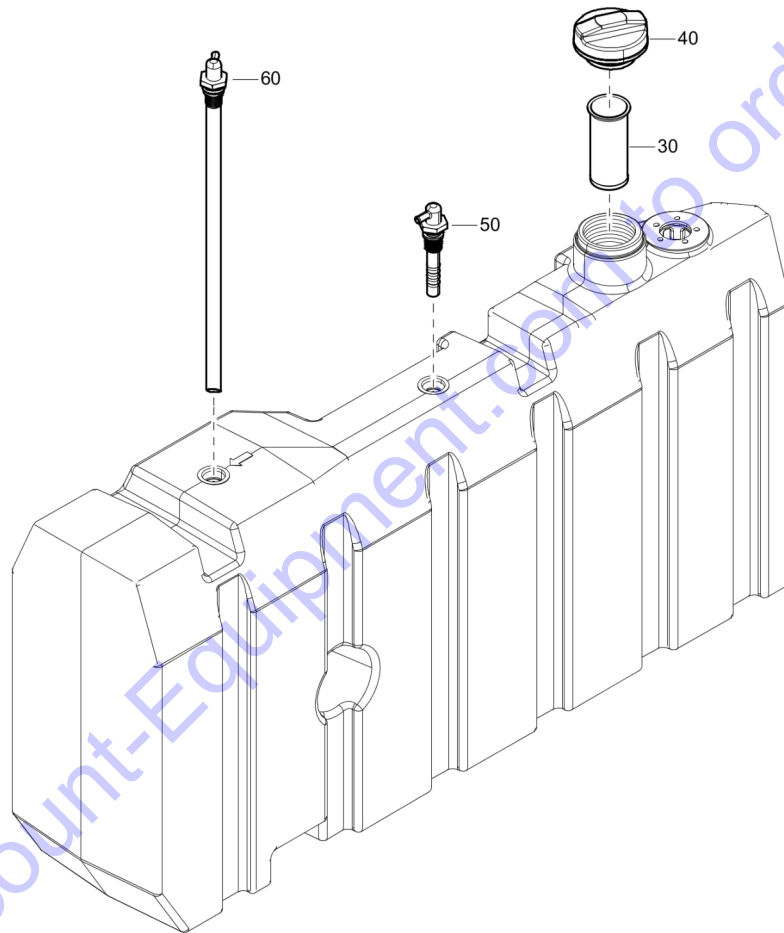
<b>Id</b>	<b>Qty</b>	<b>Number</b>	<b>Name</b>	<b>Specifications</b>
20	1	1638197501	COOLER ASSY	
30	2	0686371602	PLUG G 1/2	
40	2	0661103300	SEAL WASHER	

Go to Discount-Equipment.com to order your parts



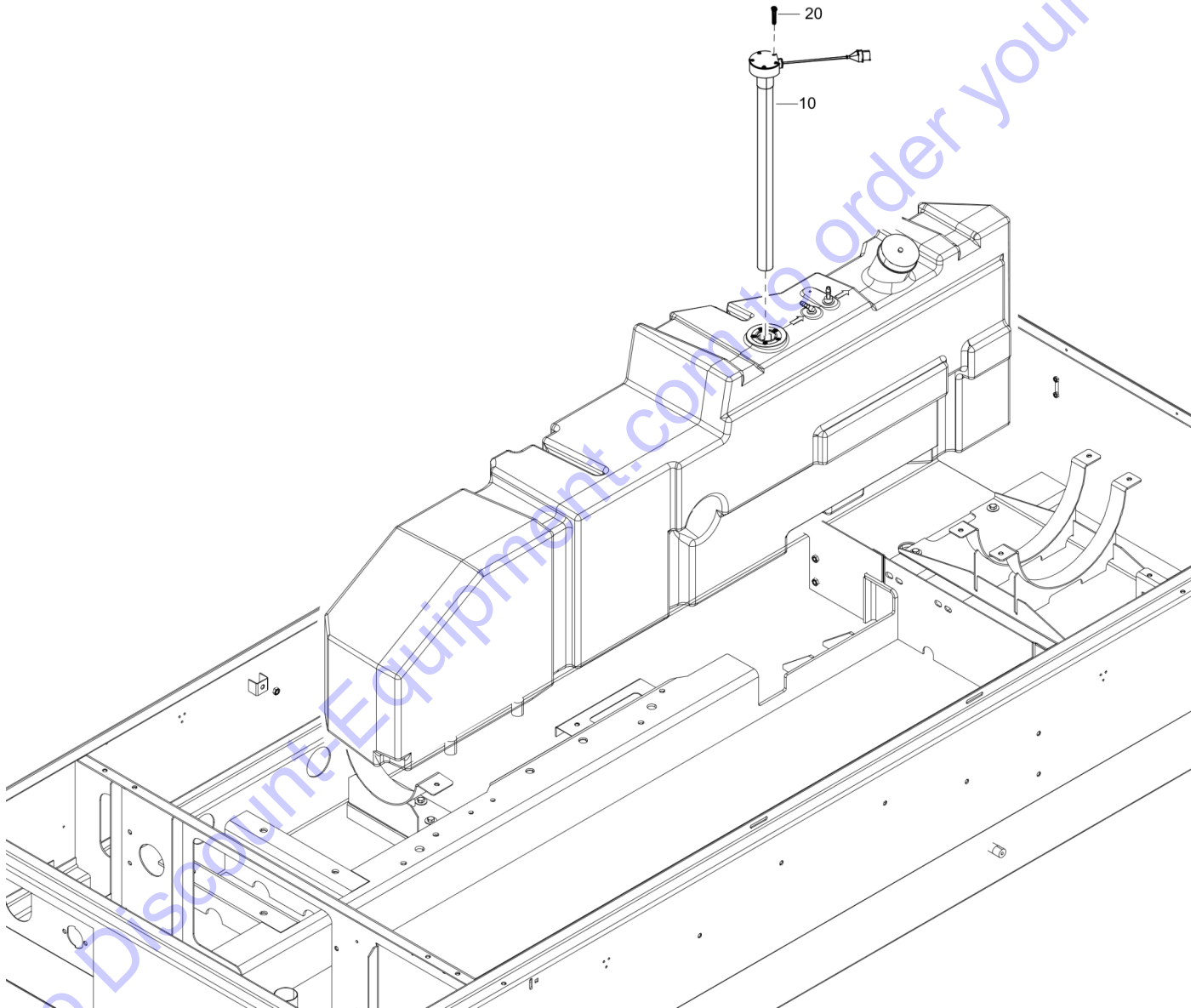
Id	Qty	Number	Name	Specifications
20	1	1638278000	SPACER	
30	4	0211125103	HEX SOCK. SCREW	
40	1	1638278100	FAN AXIAL	
45	1	1615769000	RING	
50	8	0211125103	HEX SOCK. SCREW	
60	1	1638197583	COOLER	
90	4	1615566400	BOLT-SCRAPER:M8X25, 8.8 FZB	
100	1	1638189302	Pad rubber	
110	1	1638216501	COWL FAN UPPER SIDE	
120	1	1638216602	COWL FAN	
125	4	1615566400	BOLT-SCRAPER:M8X25, 8.8 FZB	
130	4	1615566400	BOLT-SCRAPER:M8X25, 8.8 FZB	
135	4	0147132303	SCREW HEXAGON	
136	8	0300801900	WASHER-FLAT:M 8.40/25.0X2.0T	
137	4	0333322700	LOCK WASHER	
138	4	0266211000	HEXAGON NUT M8	
140	1	1638217404	GUARD LEFT	
150	1	1638217503	GUARD	
160	6	1615566400	BOLT-SCRAPER:M8X25, 8.8 FZB	
170	1	1638339401	HOSE	
200	2	0347010216	HOSE CLIP	
210	1	1638203802	PIPE	
220		1638353600	HOSE	
230		1638353600	HOSE	
240	4	0347010215	HOSE CLIP	

Go to Discount-Equipment.com to order your parts



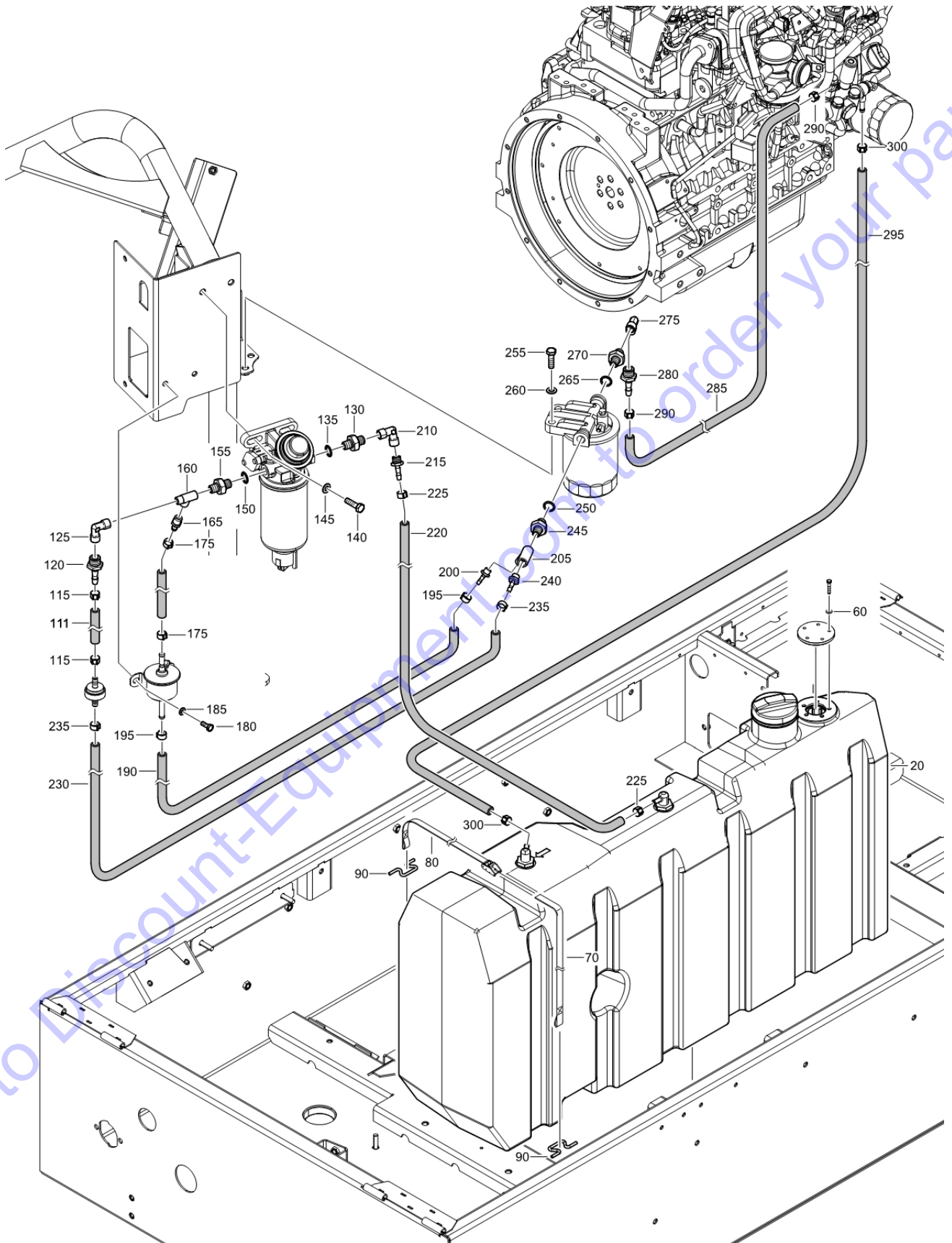
Id	Qty	Number	Name	Specifications
30	1	1626958300	STRAINER	
40	1	1626959000	Cap fuel	
50	1	1638279800	NIPPLE HEXAGON	
60	1	1638280500	NIPPLE HEXAGON	

Go to Discount-Equipment.com to order your parts



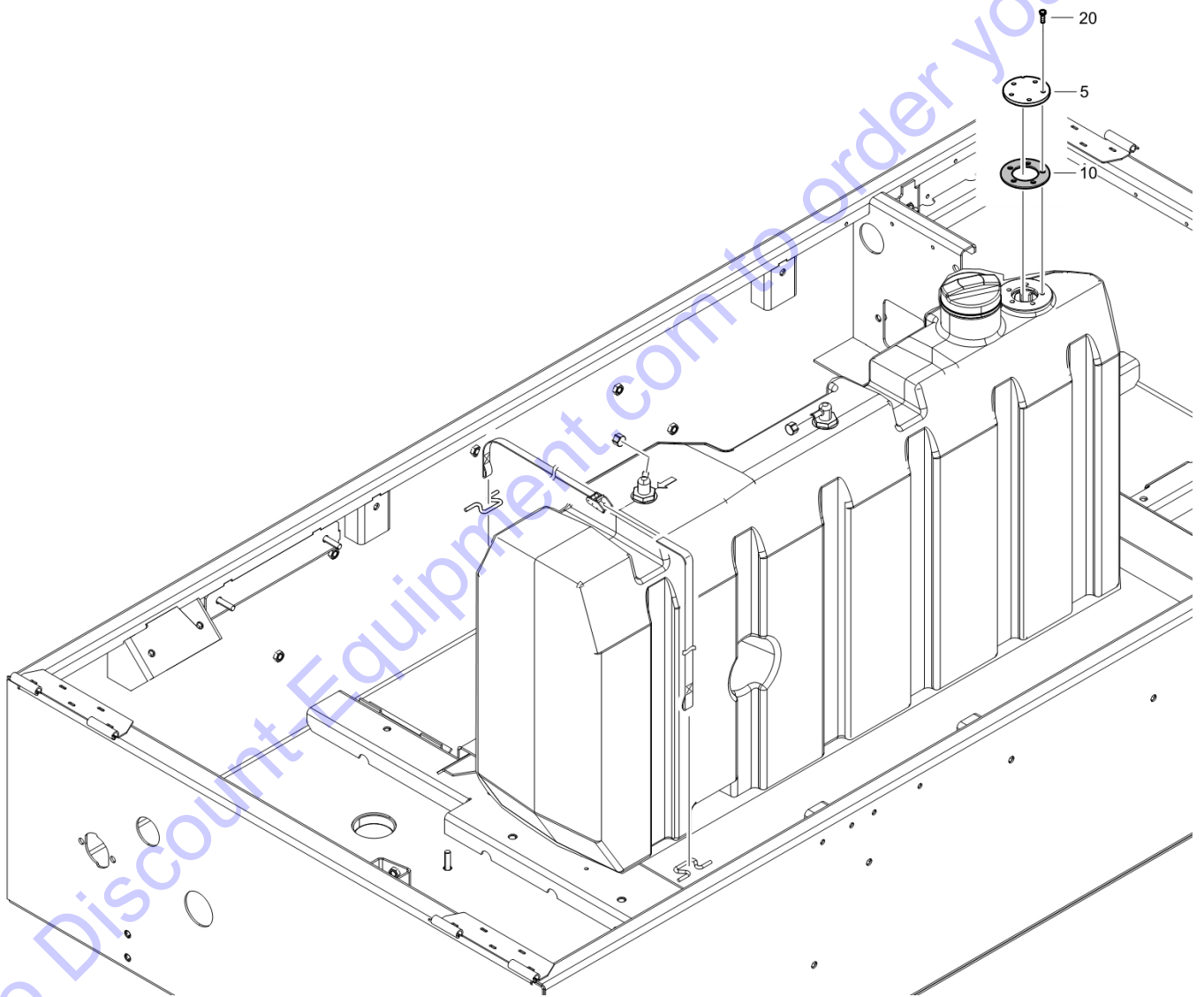
Id	Qty	Number	Name	Specifications
10	1	1310073053	SENSOR LEVEL	
20	5	0147121303	HEX. HEAD SCREW	

Go to Discount-Equipment.com to order your parts



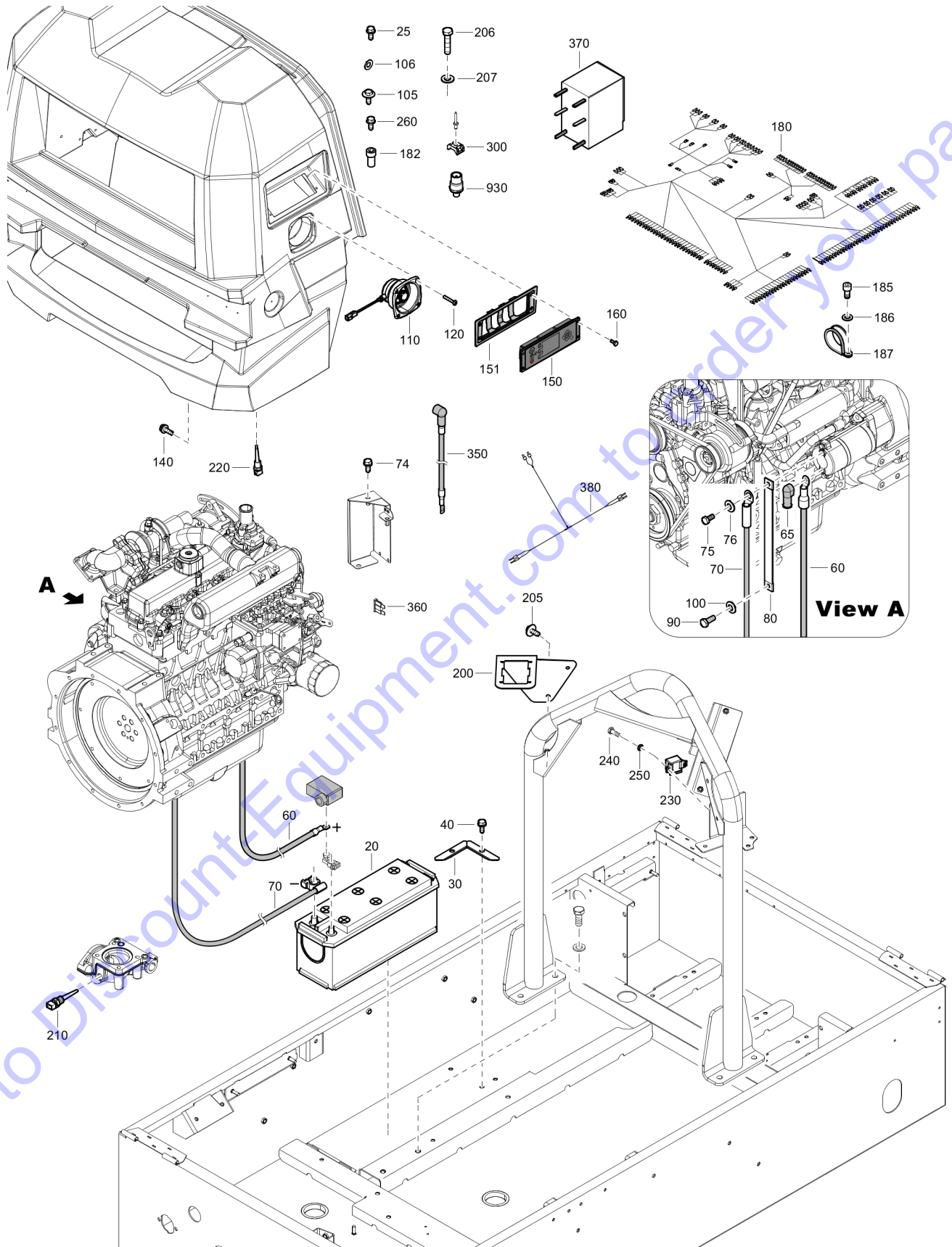


<b>Id</b>	<b>Qty</b>	<b>Number</b>	<b>Name</b>	<b>Specifications</b>
20	1	1638260481	TANK FUEL	
60	5	0301231800	PLAIN WASHER	
70	2	1616461501	STRAP	
80	2	1638293400	BELT FLAT	
90	4	1626360700	RETAINER	
111	1	0075402599	HOSE	
115	2	1604413700	HOSE CLIP	
120	1	0571002164	NIPPLE HEXAGON	
125	1	0560440171	ELBOW	
130	1	1638300300	NIPPLE HEXAGON	
135	1	0653107600	FLAT GASKET	
140	2	0147136303	SCREW:M10X 30;HEX HD,ZN PLT,\$S	
145	2	0301234400	PLAIN WASHER M10	
150	1	0653107600	FLAT GASKET	
155	1	1638300300	NIPPLE HEXAGON	
160	1	0560441105	TEE	
165	1	0571002164	NIPPLE HEXAGON	
175	2	1604413700	HOSE CLIP	
180	2	0147124603	HEX. BOLT M6X16X8.8	
185	2	0301232100	PLAIN WASHER(A) 6.4 X 12 X 1.6	
190	1	0075402599	HOSE	
195	2	1604413700	HOSE CLIP	
200	1	0571002164	NIPPLE HEXAGON	
205	1	0560440158	FITTING	
210	1	0560440171	ELBOW	
215	1	0571002164	NIPPLE HEXAGON	
220	1	0075402599	HOSE	
225	2	1604413700	HOSE CLIP	
230	1	0075402599	HOSE	
235	4	1604413700	HOSE CLIP	
240	1	0571002164	NIPPLE HEXAGON	
245	1	1638300300	NIPPLE HEXAGON	
250	1	0653107600	FLAT GASKET	
255	2	0147136303	SCREW:M10X 30;HEX HD,ZN PLT,\$S	
260	2	0301234400	PLAIN WASHER M10	
265	1	0653107600	FLAT GASKET	
270	1	1638300300	NIPPLE HEXAGON	
275	1	0560440171	ELBOW	
280	1	0571002164	NIPPLE HEXAGON	
285	1	0075402599	HOSE	
290	2	1604413700	HOSE CLIP	
295	1	0075402599	HOSE	
300	2	1604413700	HOSE CLIP	

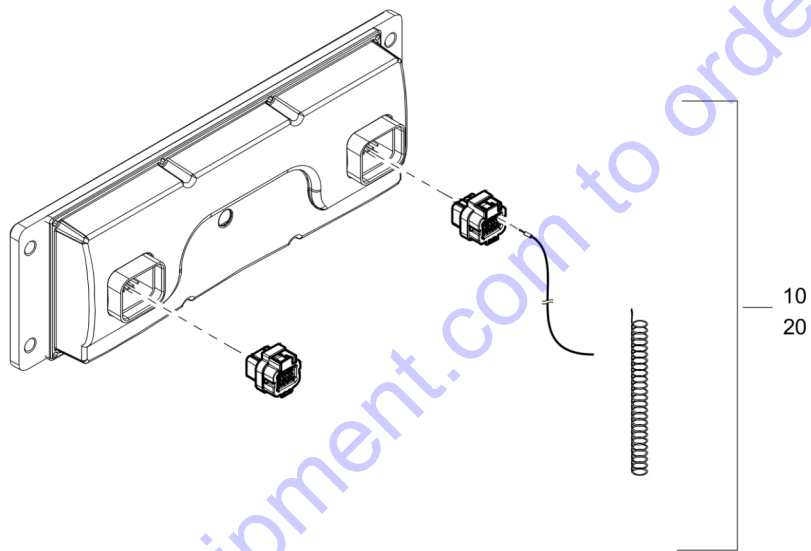


<b>Id</b>	<b>Qty</b>	<b>Number</b>	<b>Name</b>	<b>Specifications</b>
5	1	1638292101	FLANGE BLIND	
10	1	1638292201	GASKET	
20	5	0147120803	HEX. HEAD SCREW	

Go to Discount-Equipment.com to order your parts

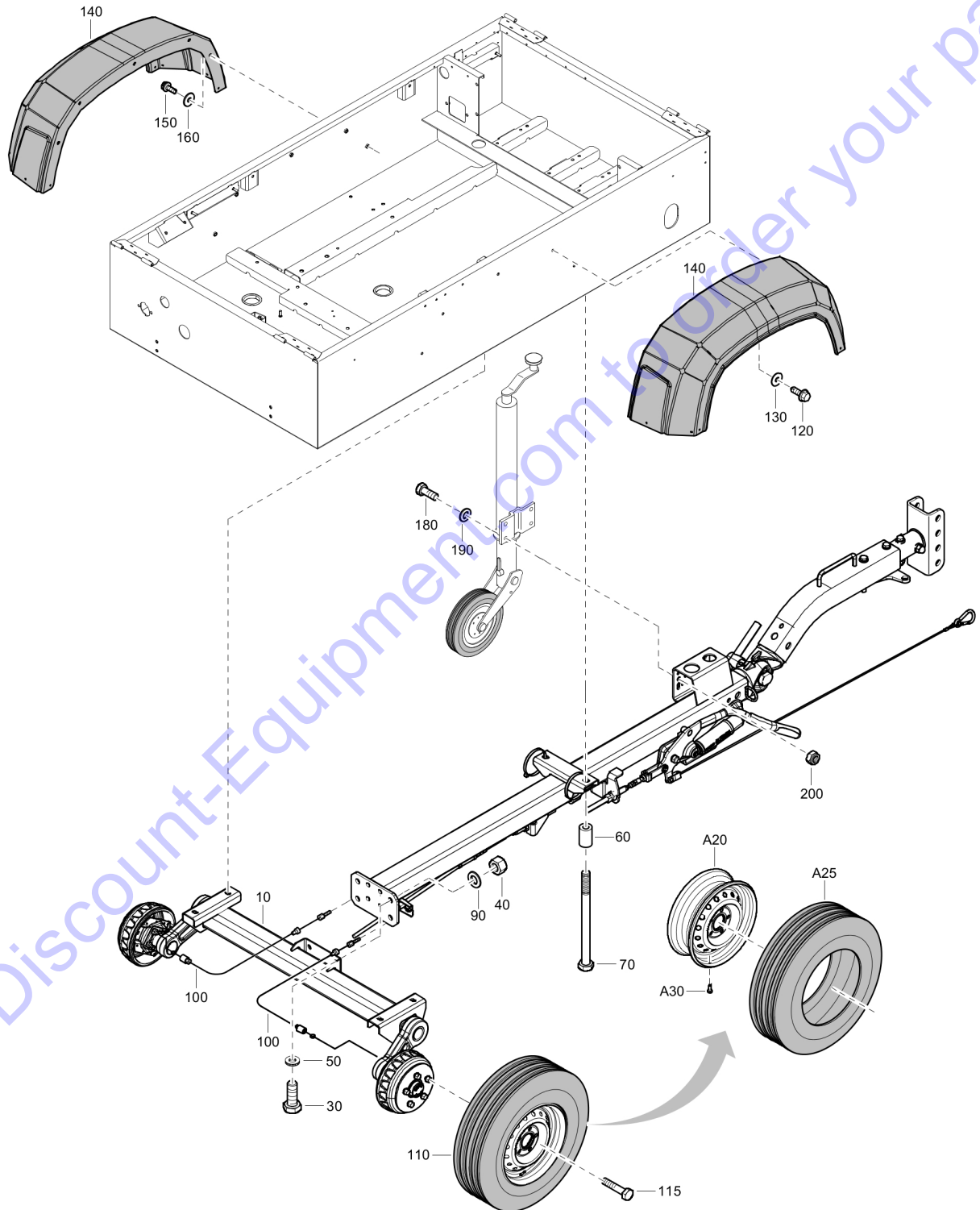


<b>Id</b>	<b>Qty</b>	<b>Number</b>	<b>Name</b>	<b>Specifications</b>
20	1	0975830017	BATTERY, 12VDC (110AH)	
25	4	1619276600	SCR.BOLT M8X20	
30	1	1638327400	BRACKET	
40	2	1619276600	SCR.BOLT M8X20	
60	1	1638266501	CABLE BATTERY	
65	1	1604332900	PROTECTION CAP	
70	1	1638266601	CABLE BATTERY	
74	4	1619276600	SCR.BOLT M8X20	
75	1	0147195950	HEX. HEAD SCREW	
76	1	1088001903	CONTACT WASHER	
80	1	1607852223	CABLE	
90	1	0144336203	SCREW	
100	1	1088001903	CONTACT WASHER	
105	1	1615566400	BOLT-SCRAPER:M8X25, 8.8 FZB	
106	1	1088001901	CONTACT WASHER	
110	1	1607852218	EMERGENCY STOP	
120	4	0226004709	SCREW	
140	2	1619276600	SCR.BOLT M8X20	
150	1	1626850007	CONTROLLER	
151	1	1638415000	SEAL GASKET	
160	4	0147111128	SCREW	
180	1	1638210006	WIRE HARNESS	
182	4	1638403600	SCREW CAP	
185	2	1626643500	BOLT	
186	2	0301234400	PLAIN WASHER M10	
187	2	0346101401	CLAMP PIPE	
200	1	1638317201	PLATE	
205	2	1615566400	BOLT-SCRAPER:M8X25, 8.8 FZB	
206	4	0147120803	HEX. HEAD SCREW	
207	4	0301231800	PLAIN WASHER	
210	1	1089057470	TEMPERATURE SENSOR	
220	1	1089057470	TEMPERATURE SENSOR	
230	1	1089047503	RELAY	
240	2	0147124603	HEX. BOLT M6X16X8.8	
250	2	0301232100	PLAIN WASHER(A) 6.4 X 12 X 1.6	
260	4	1619276600	SCR.BOLT M8X20	
300	5	0348011003	PLATE ANCHOR	
350	1	1638316300	CABLE BATTERY	
360	1	1607852740	FUSE 20A	
370	1	1607852735	RELAY AUX.	
380	1	1638516000	WIRE HARNESS	
930	1	1607852288	PRESSURE SENSOR	



Id	Qty	Number	Name	Specifications
10	1	2913000240	KIT XC4004/2003 CONNECT X10/X1	
A10	1		X10/X1 CONNECTOR HOUSING	
A20	26		CONNECTING WIRES	
A30	26		BLIND PLUG	
20	1	2913000241	KIT XC4004/2003 CONNECT X11/X2	
B10	1		X11 / X2 CONNECTOR HOUSING	
B20	26		CONNECTING WIRES	
B30	26		BLIND PLUG	

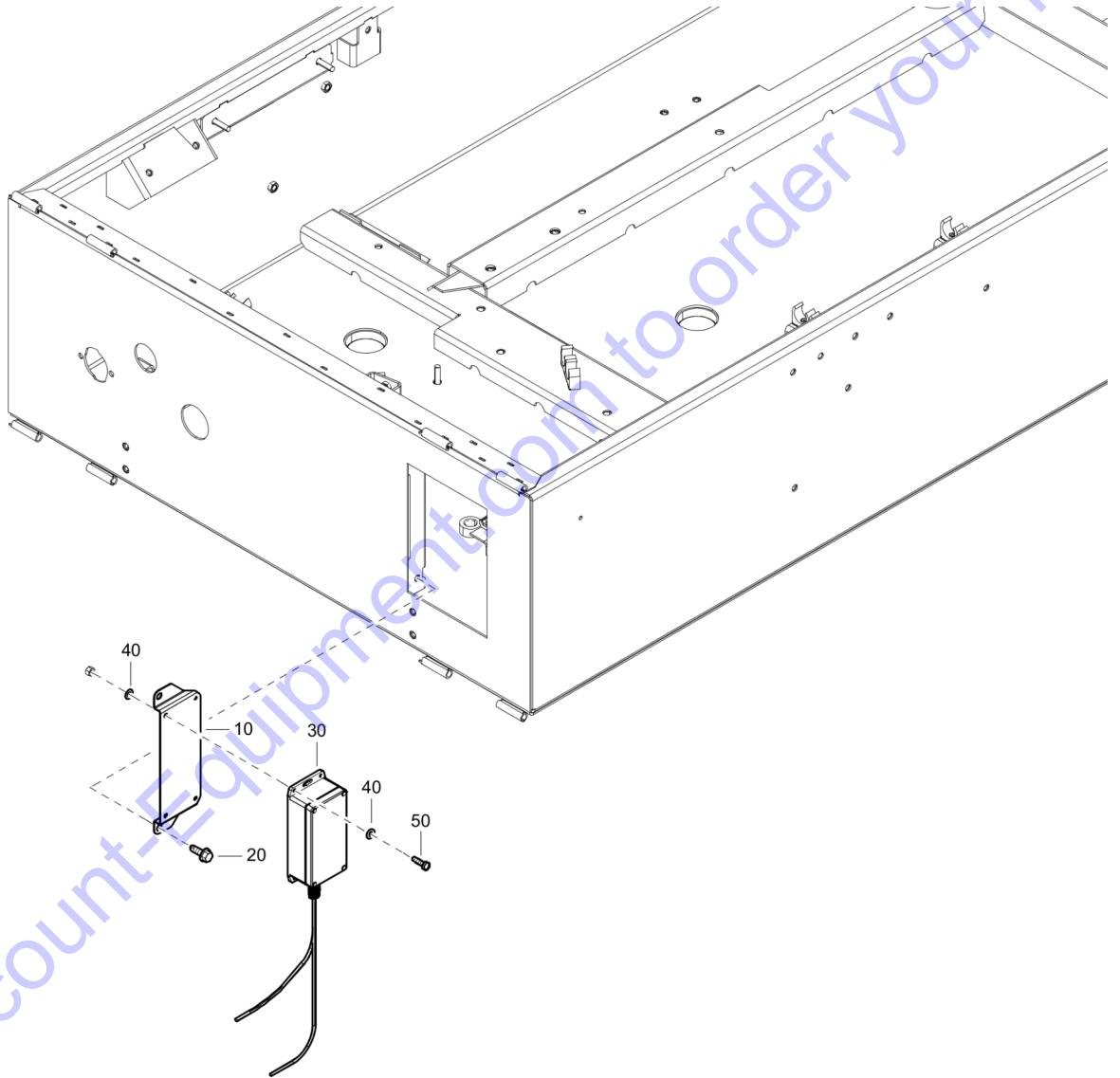
Go to Discount-Equipment.com to order your parts





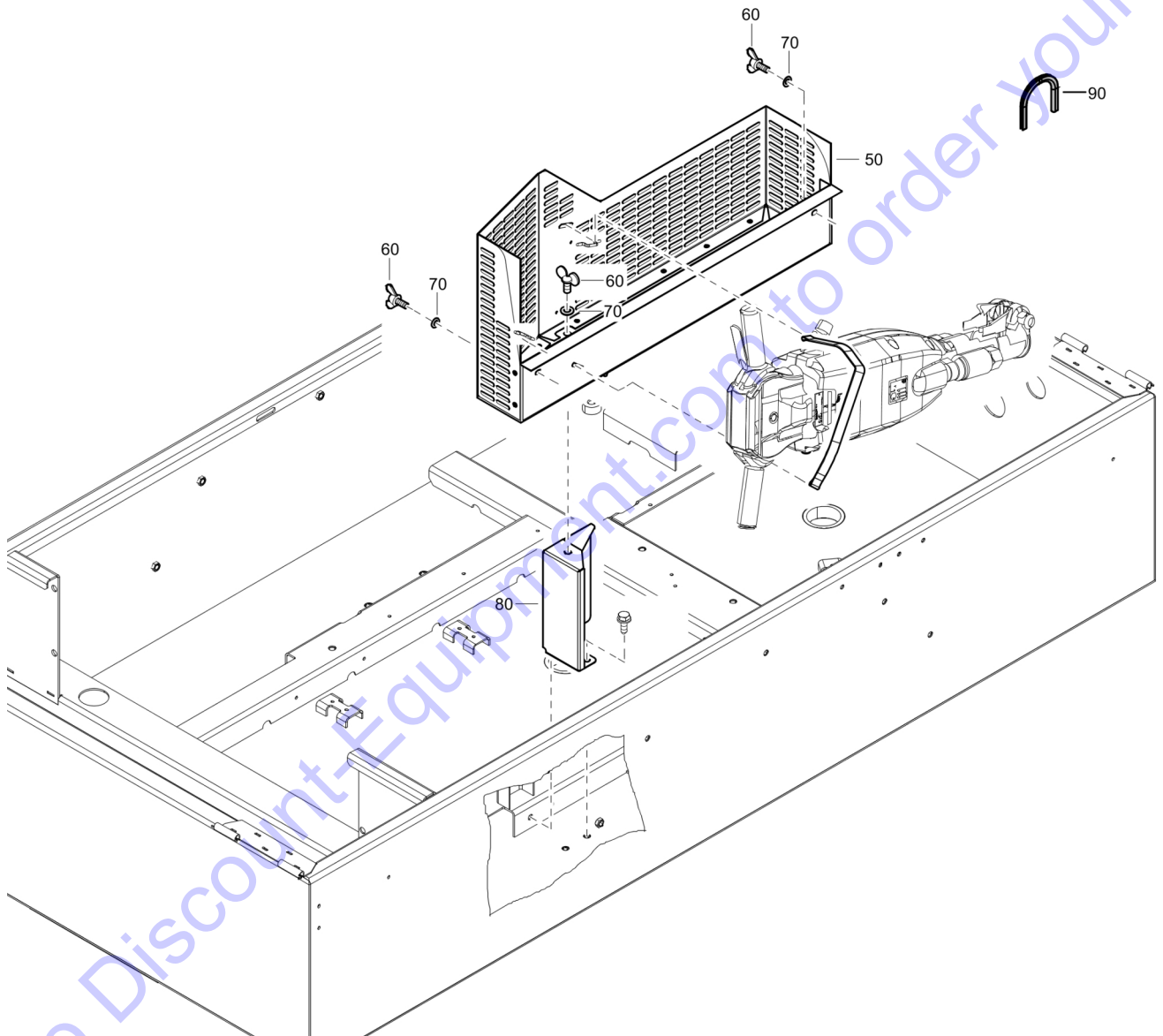
Id	Qty	Number	Name	Specifications
10	1	1638295500	AXLE WITH BRAKES	
21	1	1638412480	TOWBAR	
30	4	0147143903	HEX. HEAD SCREW	
40	4	0266211300	HEXAGON NUT	
50	4	0333520016	WASHER LOCK	
60	2	1615957500	SPACER	
70	2	0147141203	SCREW	
90	4	0301235800	PLAIN WASHER(A) 13 X 24 X 2.5	
100	2	1638298200	BRAKE CABLE	
110	2	1626294500	TYRE ASSY 185R14C	
115	10	1626602800	BOLT HEXAGON	
120	5	1619276600	SCR.BOLT M8X20	
130	5	0300801900	WASHER-FLAT:M 8.40/25.0X2.0T	
140	2	1626730802	MUDGUARD GREY	
150	5	1619276600	SCR.BOLT M8X20	
160	5	0300801900	WASHER-FLAT:M 8.40/25.0X2.0T	
180	4	0147136303	SCREW:M10X 30;HEX HD,ZN PLT,\$S	
190	4	0301234400	PLAIN WASHER M10	
200	4	0291112820	LOCK NUT M10	

Go to Discount-Equipment.com to order your parts



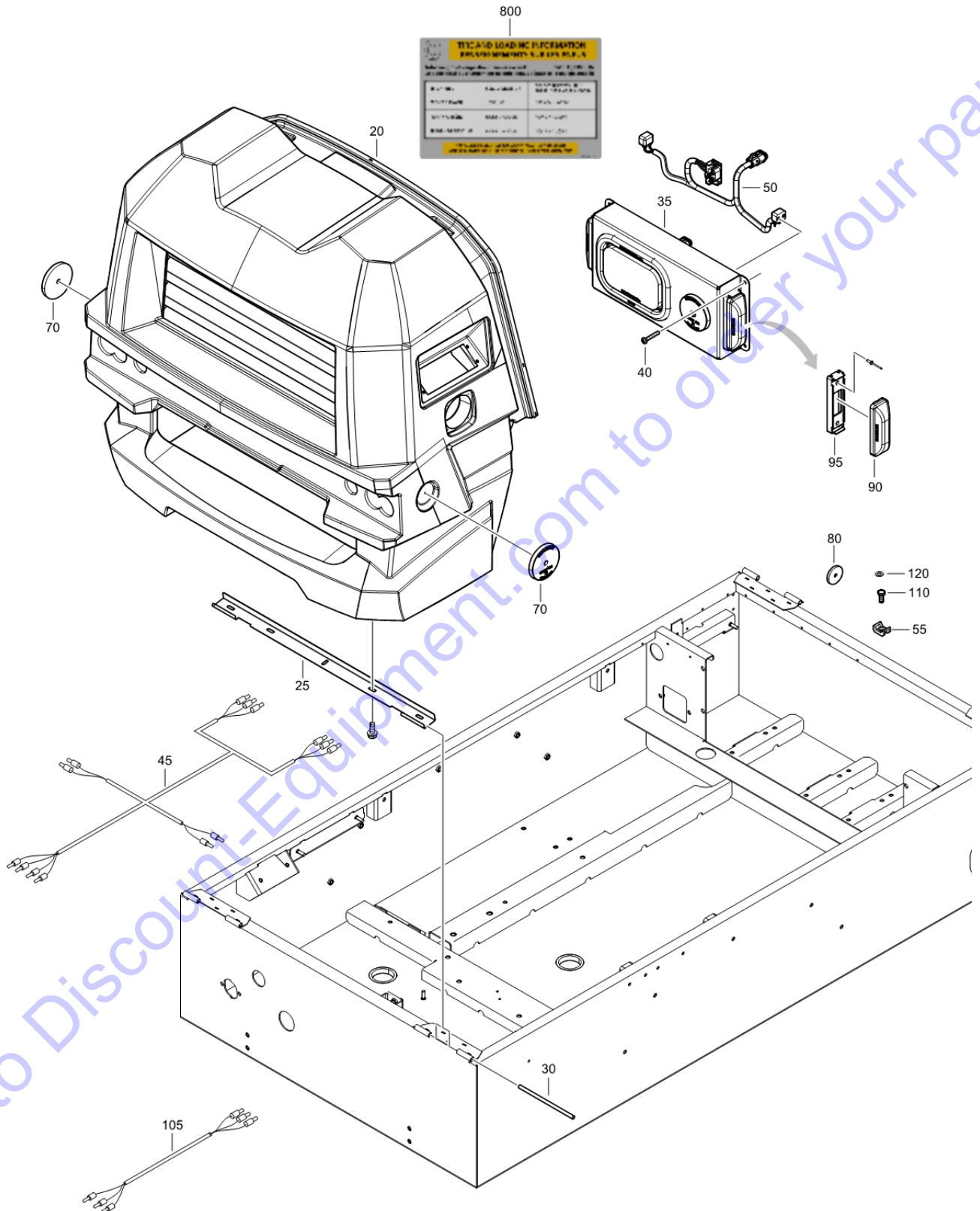
Id	Qty	Number	Name	Specifications
10	1	1638344801	BRACKET -	
20	2	1619276600	SCR.BOLT M8X20	
30	1	1638555580	MODULE ASSEMBLY	
40	8	0301231500	WASHER M4-T0.8	
50	4	0147117303	HEX. HEAD SCREW	

Go to Discount-Equipment.com to order your parts



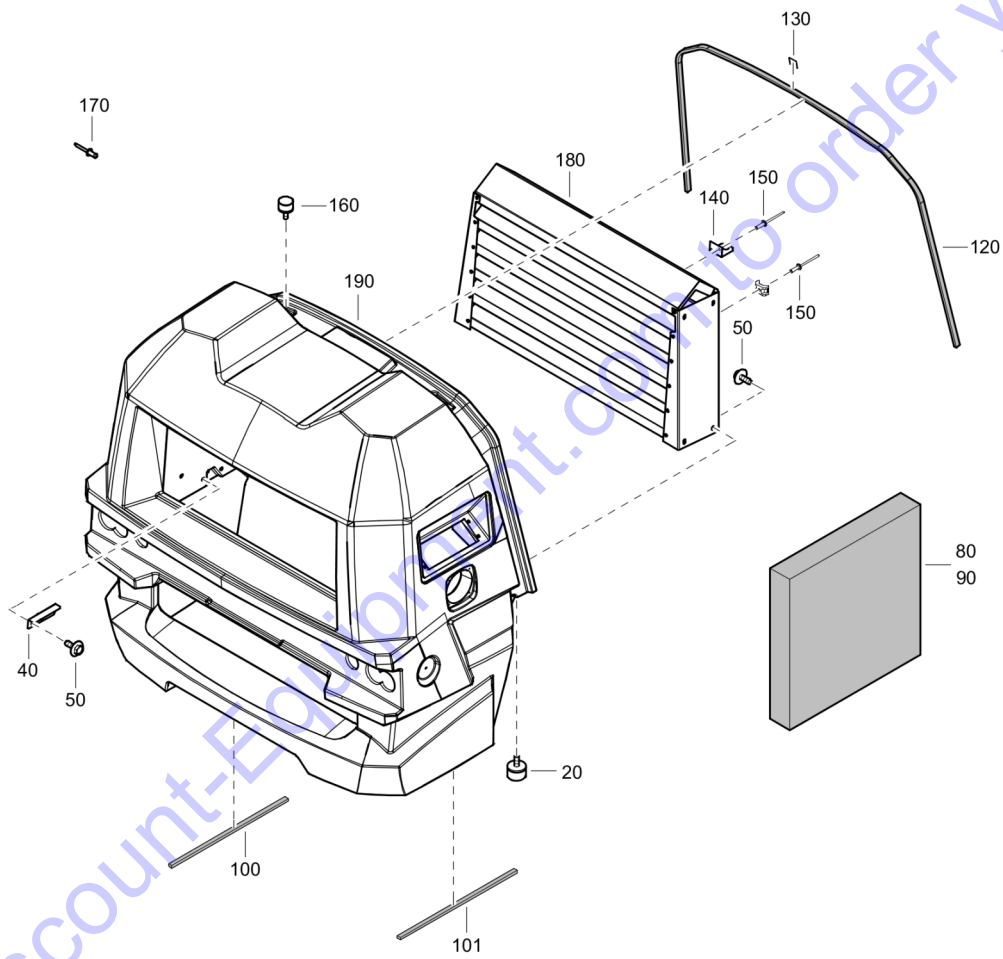
Id	Qty	Number	Name	Specifications
50	1	1638247104	BOX	
60	3	0223132202	WING SCREW	
70	3	0300801900	WASHER-FLAT:M 8.40/25.0X2.0T	
80	1	1638247801	SUPPORT	
90		1503105600	SEAL	

Go to Discount-Equipment.com to order your parts



Id	Qty	Number	Name	Specifications
20	1	1638373686	BUMPER	
25	1	1638329803	HINGE	
30	2	1605002501	ROD CONNECTING	
35	2	1638296380	LIGHT	
40	8	0226004709	SCREW	
45	1	1638345601	WIRE HARNESS	
50	2	1638313100	WIRING	
55	5	0348011003	PLATE ANCHOR	
70	2	1638315800	REFLECTOR	
80	2	1615552000	REFLECTOR	
90	2	1638295900	LAMP	
95	2	1638315700	HOLDER LAMP	
105	2	1638313201	WIRING DOT	
110	1	0147124403	SCREW:M 6X 12;HEX HD,ZN PLT,\$S	
120	1	1088001906	CONTACT LOCK WASHER	
800	1	1638937302	LABEL	

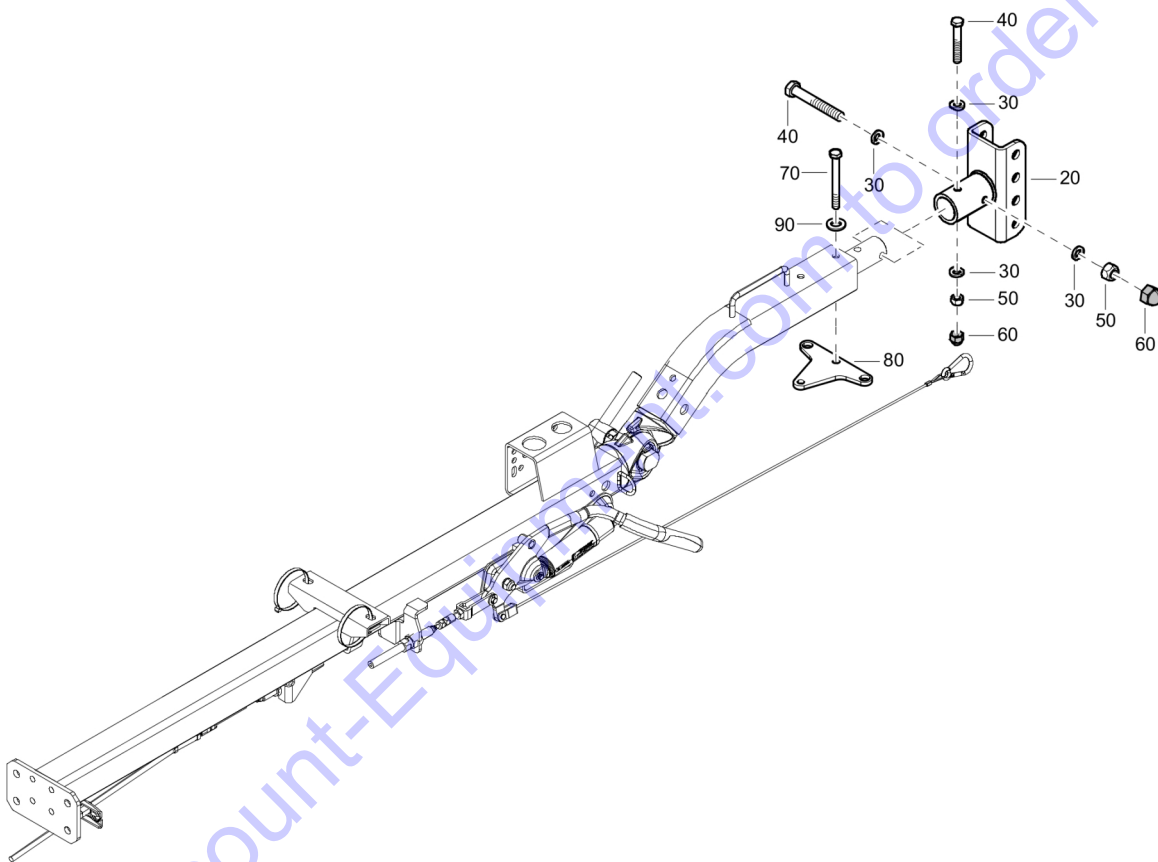
Go to Discount-Equipment.com to order your parts





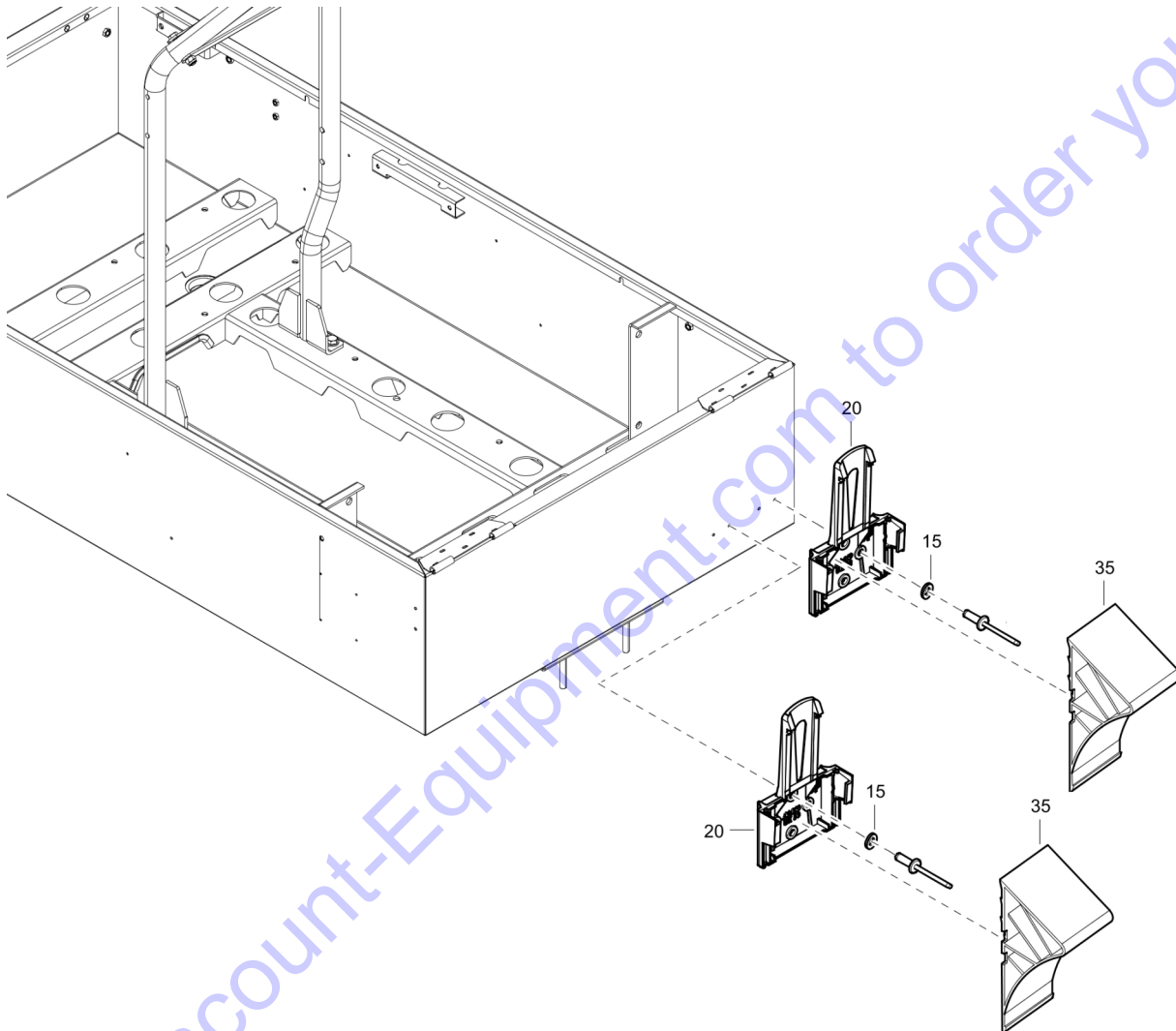
Id	Qty	Number	Name	Specifications
20	2	1604186900	BUFFER	
40	2	1638333801	BRACKET	
50	12	1615566400	BOLT-SCRAPER:M8X25, 8.8 FZB	
80	1		Insulation silencing foam (50mm)	
90	1		Insulation silencing foam (50mm)	
100		1619556200	SEAL	
101		1619556200	SEAL	
120		1619556200	SEAL	
130	9	1638367500	STAPLE	
140	1	1638333500	Bracket	
150	4	0129311600	RIVET	
160	2	1638396400	BUFFER -	
170	4	0298100197	Rivet	
180	1	1638378981	Baffle	
190	1	1638373601		Version: 00
-		1079000333	SILENCING FOAM	

Go to Discount-Equipment.com to order your parts



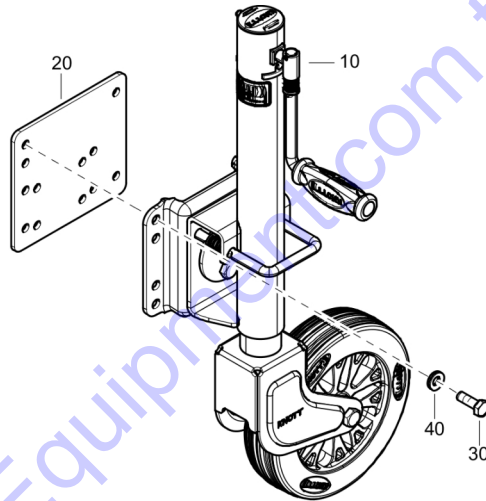
Id	Qty	Number	Name	Specifications
20	1	1638413100	BRACKET	
30	4	1638308300	WASHER PLAIN	
40	2	0147196304	SCREW	
50	4	1638308800	NUT LOCK	
60	2	1638308900	CAP	
70	2	0147141703	HEXAGON BOLT	
80	1	1638415200	Plate	
90	4	0301235800	PLAIN WASHER(A) 13 X 24 X 2.5	

Go to Discount-Equipment.com to order your parts



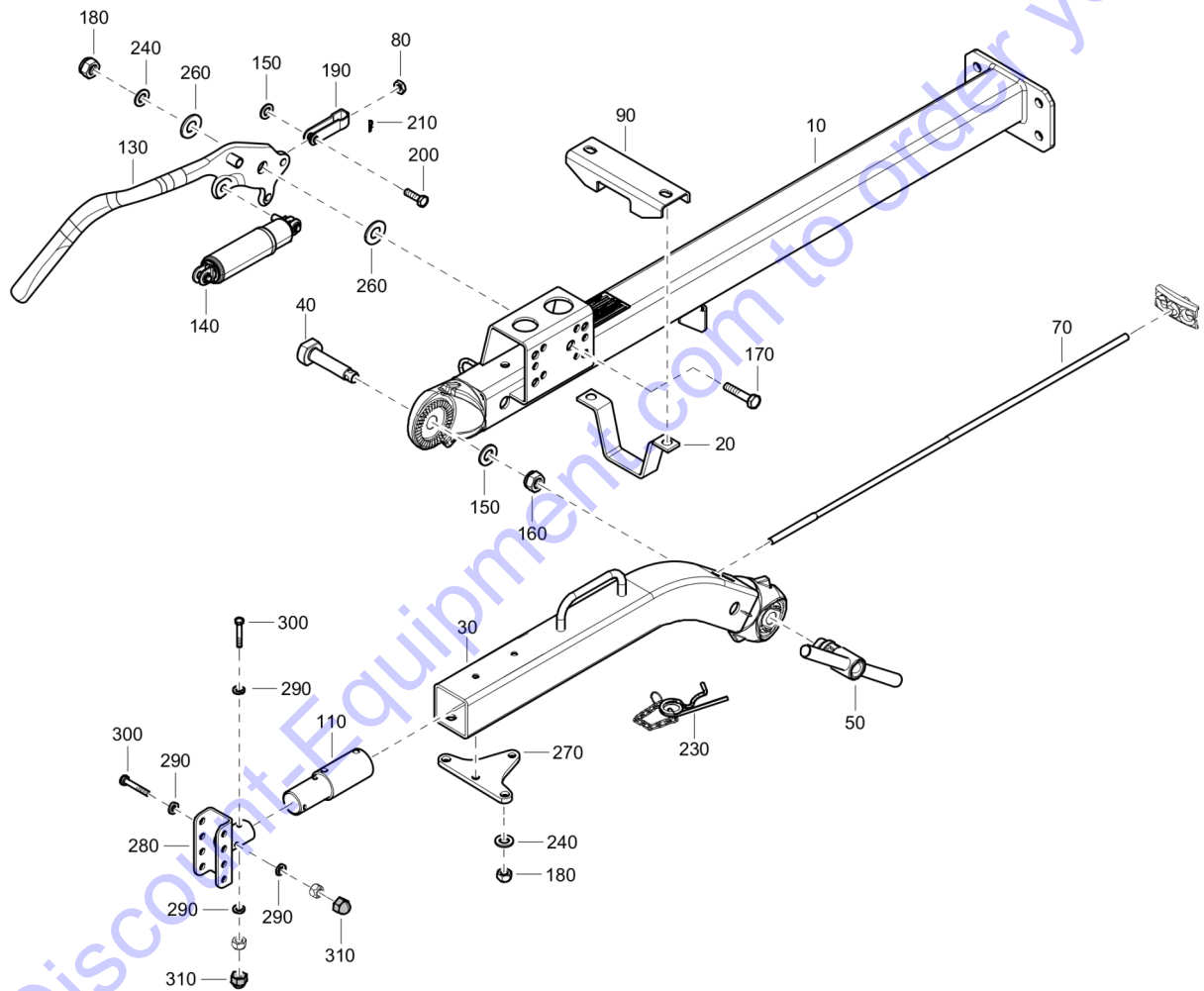
<b>Id</b>	<b>Qty</b>	<b>Number</b>	<b>Name</b>	<b>Specifications</b>
15	4	0301232100	PLAIN WASHER(A)	6.4 X 12 X 1.6
20	2	1613544001	BRACKET	
35	2	1613543901	WHEELCHOCK	

Go to Discount-Equipment.com to order your parts



Id	Qty	Number	Name	Specifications
10	1	1638428600	SWIVEL WHEEL	
20	1	1638426700	SUPPORT	
30	6	0147136203	HEX. HEAD SCREW M10 X 25	
40	6	0333520013	M10 NORDLOCK WASHER	

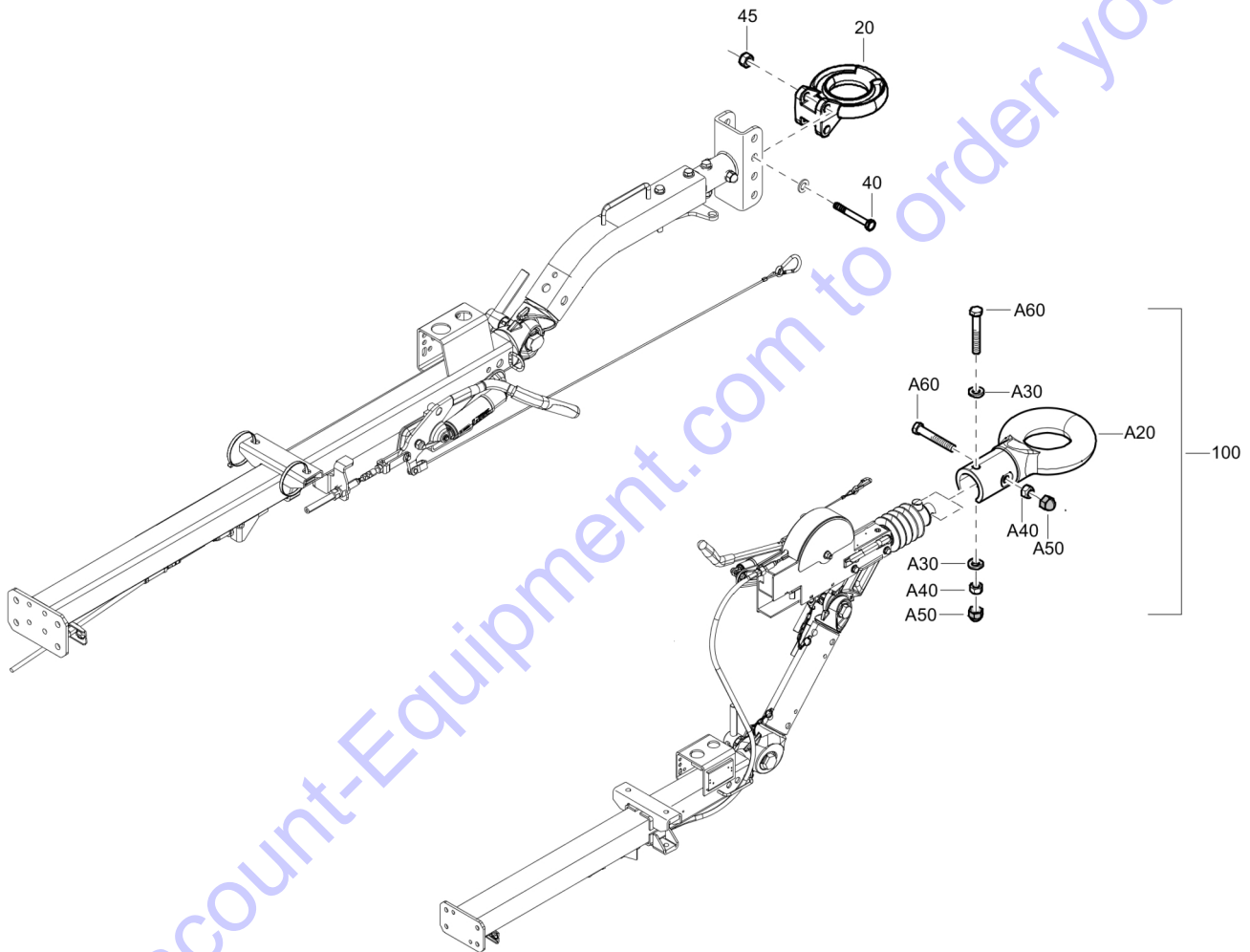
Go to Discount-Equipment.com to order your parts





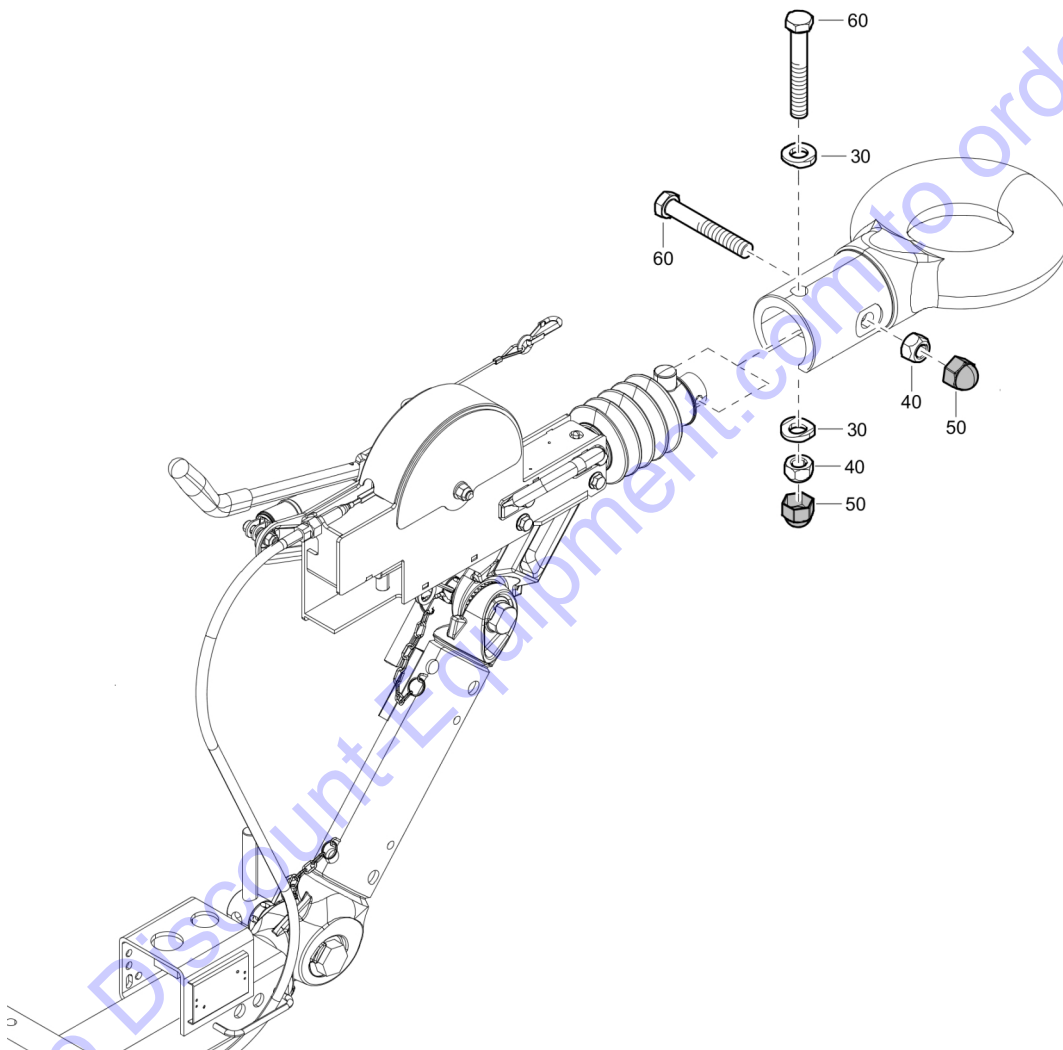
<b>Id</b>	<b>Qty</b>	<b>Number</b>	<b>Name</b>	<b>Specifications</b>
10	1	2914000001	TOWBAR	
20	1	2914102801	BRACKET CLAMP	
30	1	2914000003	TOWBAR	
40	1	2914102803	BOLT	
50	1	2914102804	TOMMY NUT	
70	1	2914000004	Rod assy	
80	1	2914103021	NUT	
90	1	2914102807	CLAMP	
110	1	2914000005	ADAPTOR	
130	1	2914000006	HANDLE	
140	1	2914103012	DAMPER	
150	2	2914103013	Washer	
160	1	2914103014	LOCK NUT	
170	1	0147196101	HEX. HEAD SCREW	
180	5	1638308800	NUT LOCK	
190	1	2914000007	FORK	
200	1	2914000008	BOLT	
210	1	2914000009	PIN	
230	1	2914103024	CLIP	
240	4	0301235800	PLAIN WASHER(A) 13 X 24 X 2.5	
260	2	2914103008	Washer	
270	1	1638415200	Plate	
280	1	1638413100	BRACKET	
290	4	1638308300	WASHER PLAIN	
300	2	0147196304	SCREW	
310	2	1638308900	CAP	

Go to Discount-Equipment.com to order your parts



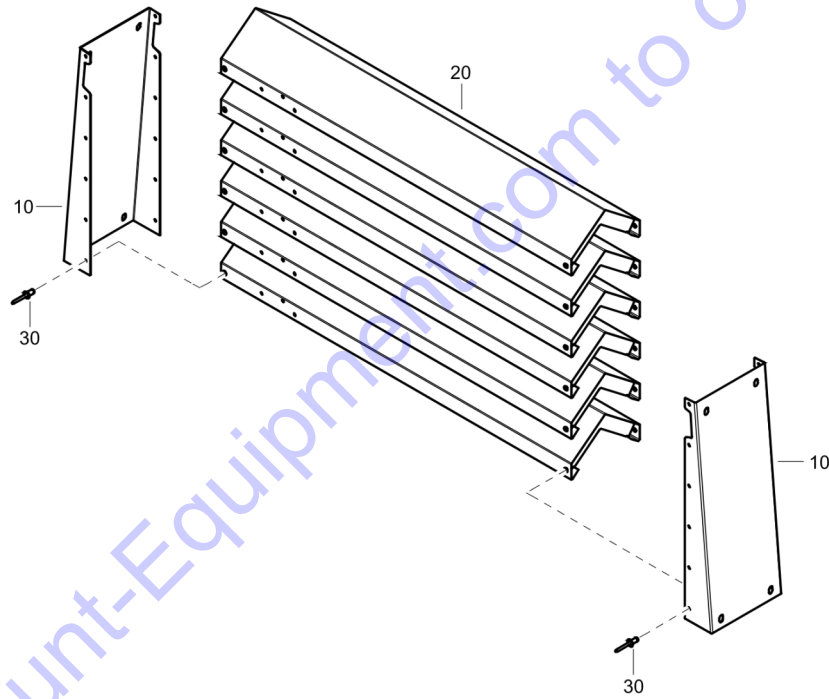
Id	Qty	Number	Name	Specifications
20	1	1638418500	EYE TOWING	
40	2	1638430900	BOLT HEXAGON	
45	2	1638431000	NUT HEXAGON	
100	1	1638307880	EYE TOWING NATO	

Go to Discount-Equipment.com to order your parts



<b>Id</b>	<b>Qty</b>	<b>Number</b>	<b>Name</b>	<b>Specifications</b>
30	2	1638308300	WASHER PLAIN	
40	2	1638308800	NUT LOCK	
50	2	1638308900	CAP	
60	2	0147196304	SCREW	

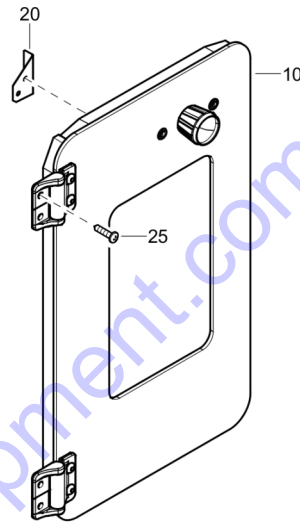
Go to Discount-Equipment.com to order your parts



Go to Discount-Equipment.com to order your parts

<b>Id</b>	<b>Qty</b>	<b>Number</b>	<b>Name</b>	<b>Specifications</b>
10	2	1638378901	Plate function	
20	6	1638378880	Baffle	
30	24	0129317700	BLIND RIVET	

Go to Discount-Equipment.com to order your parts

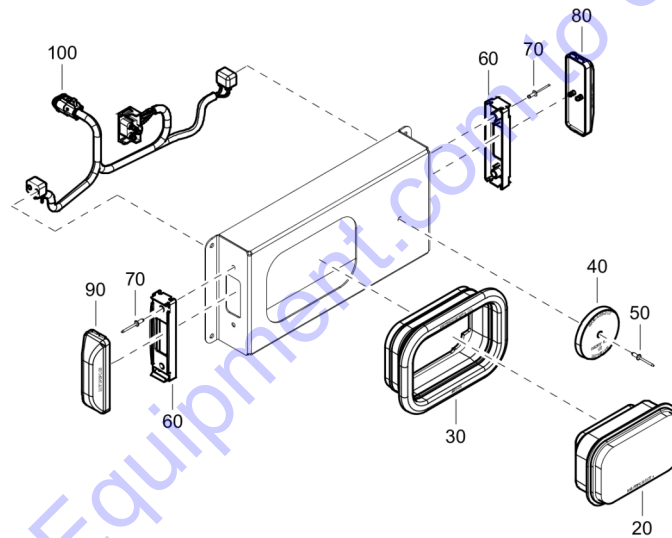


Go to Discount-Equipment.com to order your parts



Id	Qty	Number	Name	Specifications
10	1	1638374481	DOOR	
20	1	1638374500	BRACKET	
25	6	1626789700	SELFTAPPING SCREW	

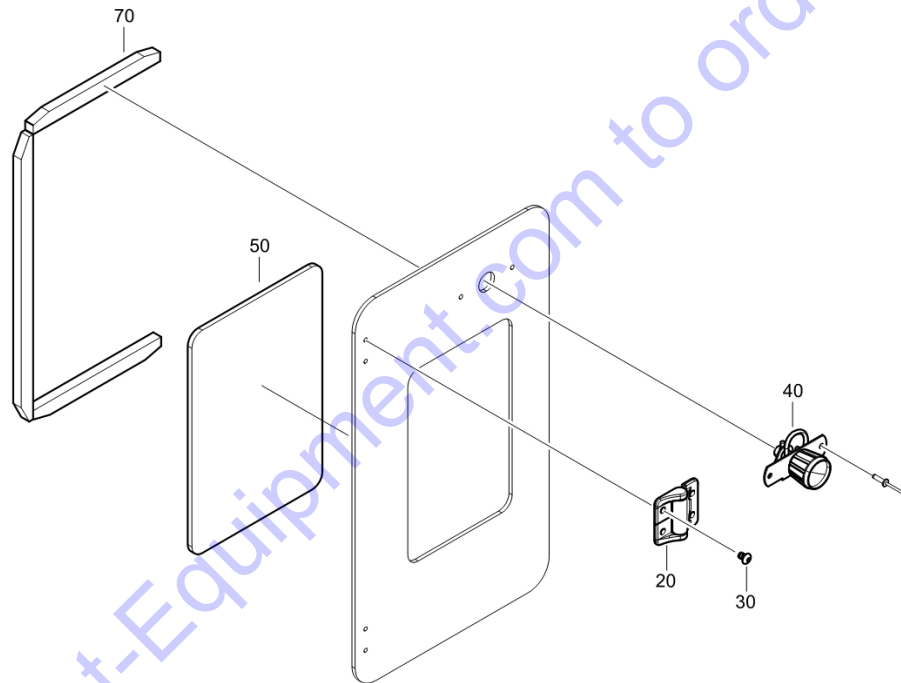
Go to Discount-Equipment.com to order your parts



Go to Discount-Equipment.com to order your parts

Id	Qty	Number	Name	Specifications
10	1	1638296300	SUPPORT	
20	1	1638296000	LAMP	
30	1	1638296100	GROMMET	
40	1	1638315800	REFLECTOR	
50	1	0129311000	RIVET-POP:M	4.8ODX18.0L
60	2	1638315700	HOLDER LAMP	
70	4	0129311000	RIVET-POP:M	4.8ODX18.0L
80	1	1638296200	LAMP	
90	1	1638315600	LAMP	
100	1	1638313100	WIRING	

Go to Discount-Equipment.com to order your parts



Go to Discount-Equipment.com to order your parts

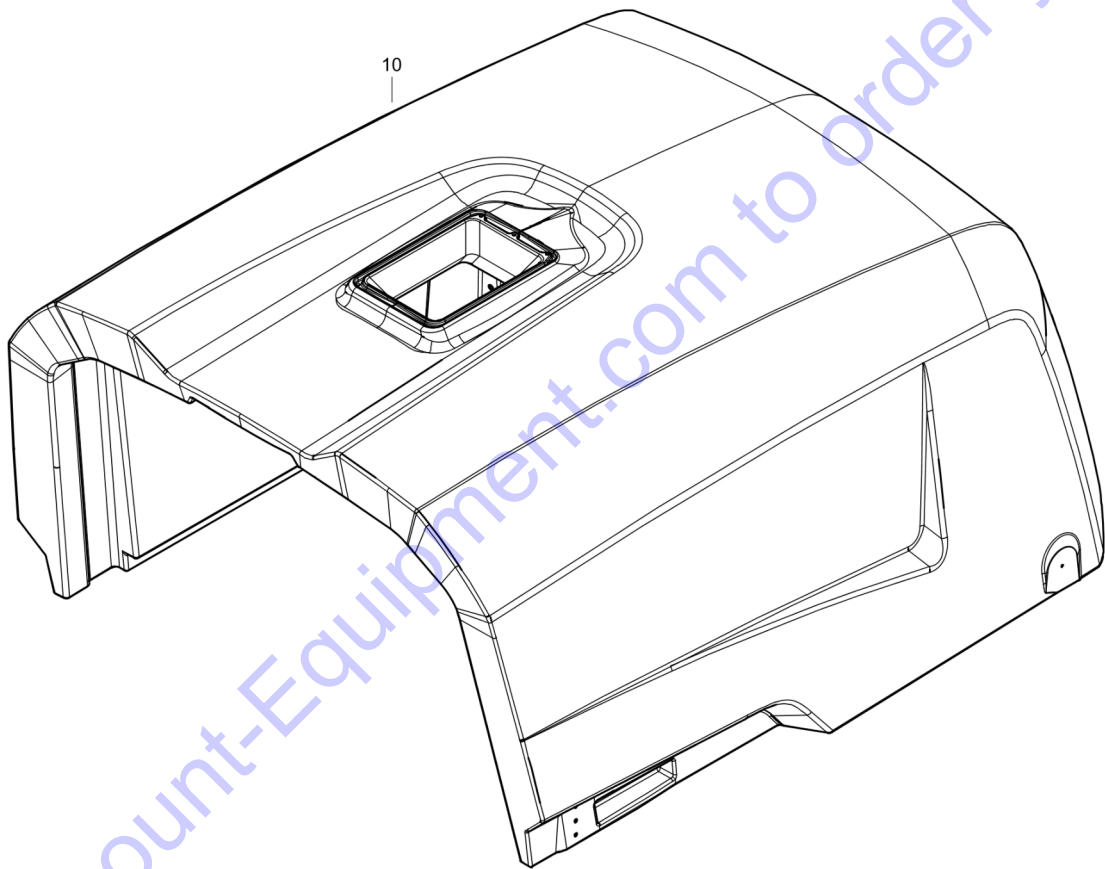
Id	Qty	Number	Name	Specifications
20	2	1626835800	HINGE	
30	4	0215001110	SCREW HEXAGON	
40	1	1638287600	LOCK	
50	1	1638393800	COVER PROTECT.	
70		1626414500	SEAL	

Go to Discount-Equipment.com to order your parts

Go to [Discount-Equipment.com](https://Discount-Equipment.com) to order your parts

Id	Qty	Number	Name	Specifications
10	1	1089945721	CONNECTOR	
20	2	1089945781	Plug de vedação	
30	1	1638355800	Plate cover	

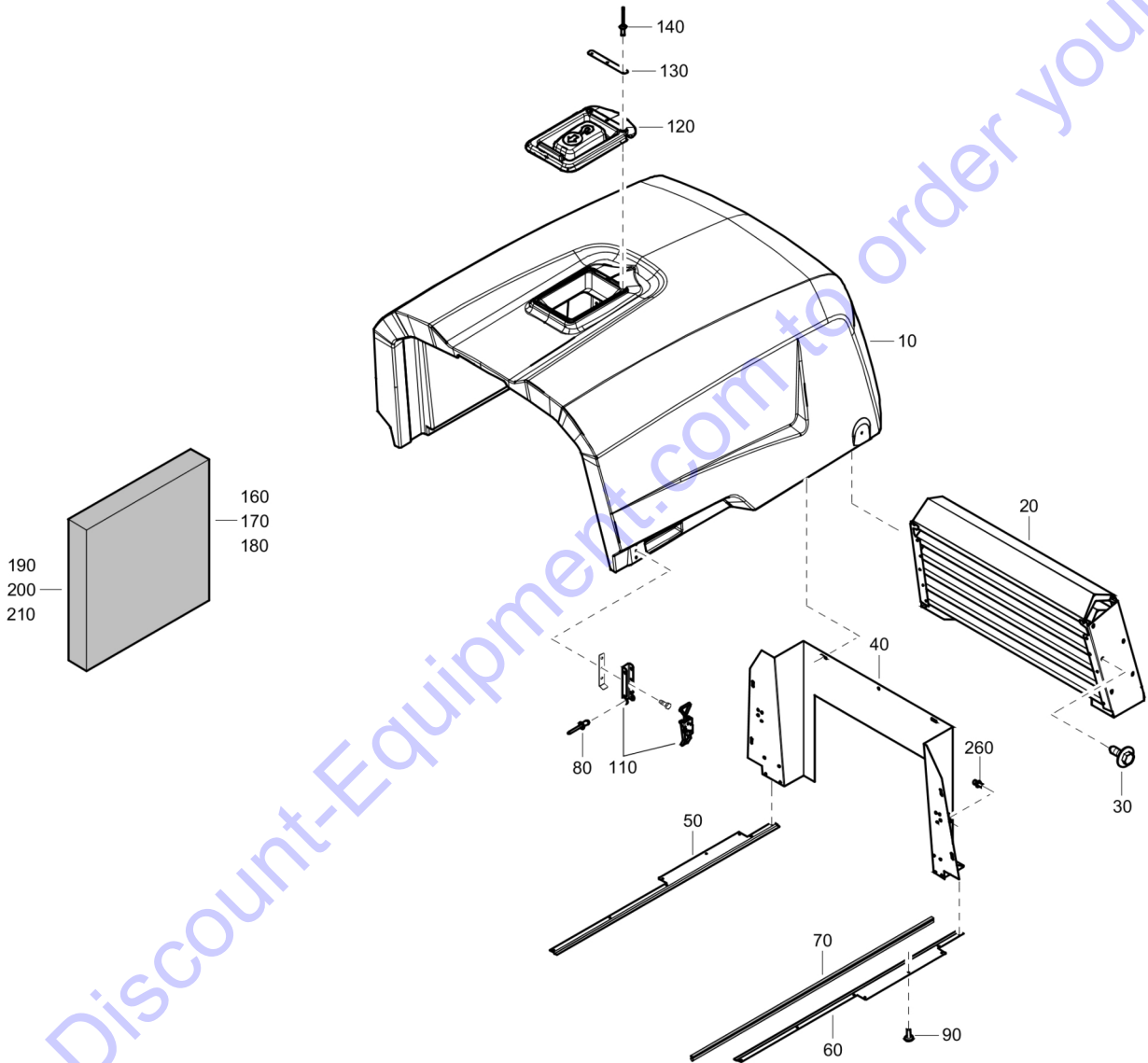
Go to Discount-Equipment.com to order your parts





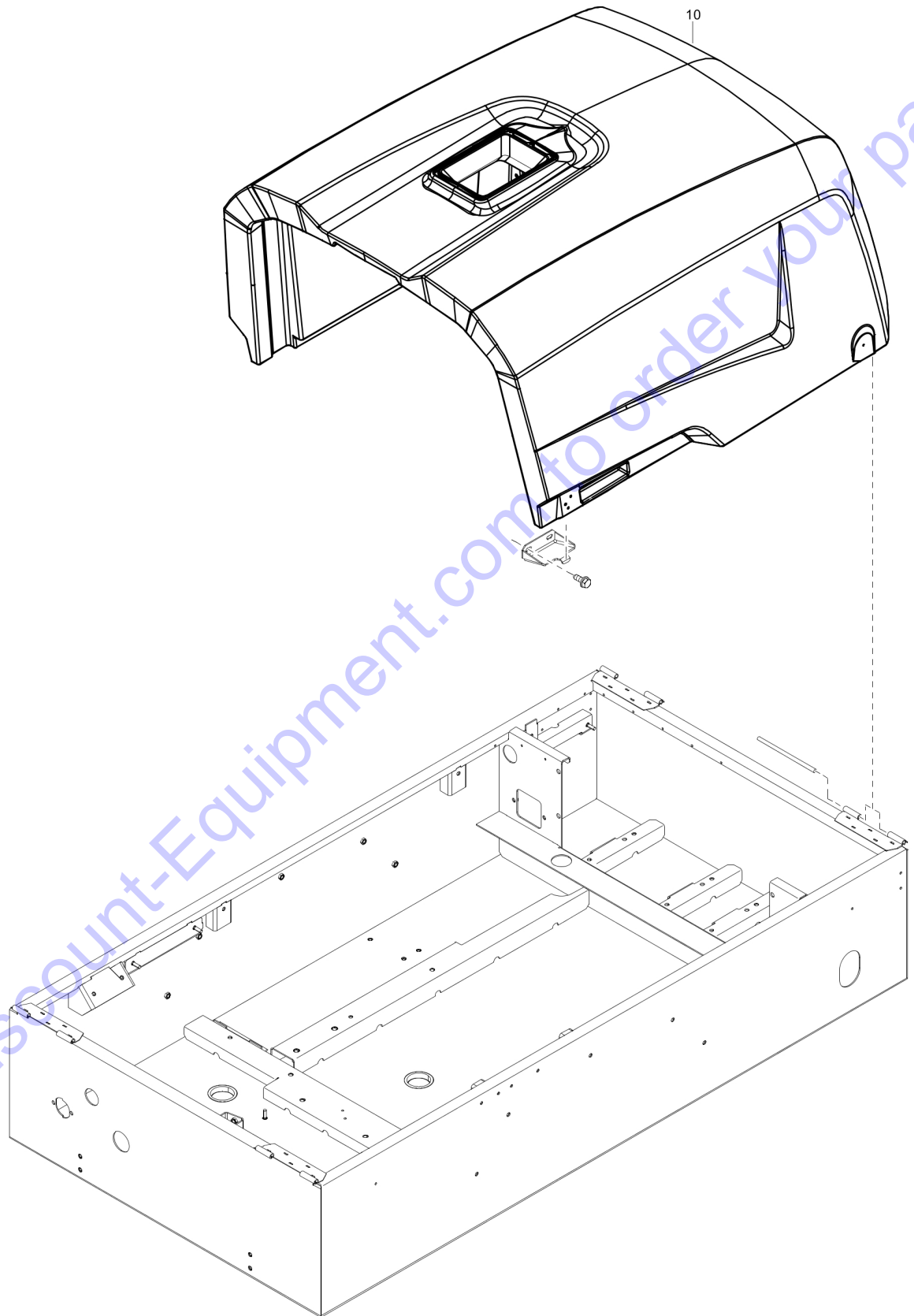
Id	Qty	Number	Name	Specifications
10	1	1638348970	HOOD	

Go to Discount-Equipment.com to order your parts



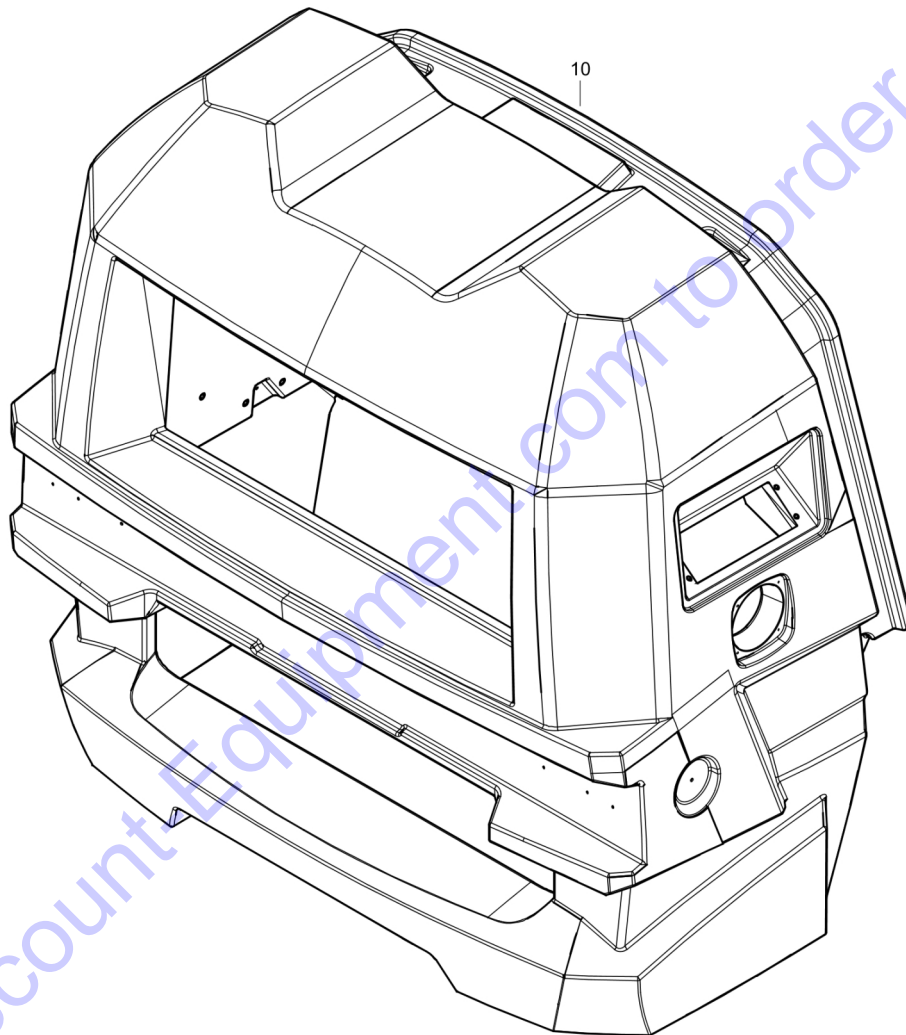
Id	Qty	Number	Name	Specifications
10	1	1638373401		Version: 00
20	1	1638378581	BAFFLE	
30	17	1615566400	BOLT-SCRAPER:M8X25, 8.8 FZB	
40	1	1638337800	PLATE COVER	
50	1	1638328101	Function plate	
60	1	1638327901	Function plate	
70	5	1604431700	SEAL	
80	4	0129317401	RIVET	
90	12	0226333003	SCREW CAP	
110	2	1638525700	LATCH	
120	1	1638339900	COVER PROTECT.	
130	1	1638343600	BRACKET	
140	3	0298100197	Rivet	
160	1		Insulation silencing	
170	1		Insulation silencing	
180	1		Insulation silencing	
190	1		Insulation silencing	
200	1		Insulation silencing	
210	1		Insulation silencing	
260	2	1626310800	BALL STUD	

Go to Discount-Equipment.com to order your parts



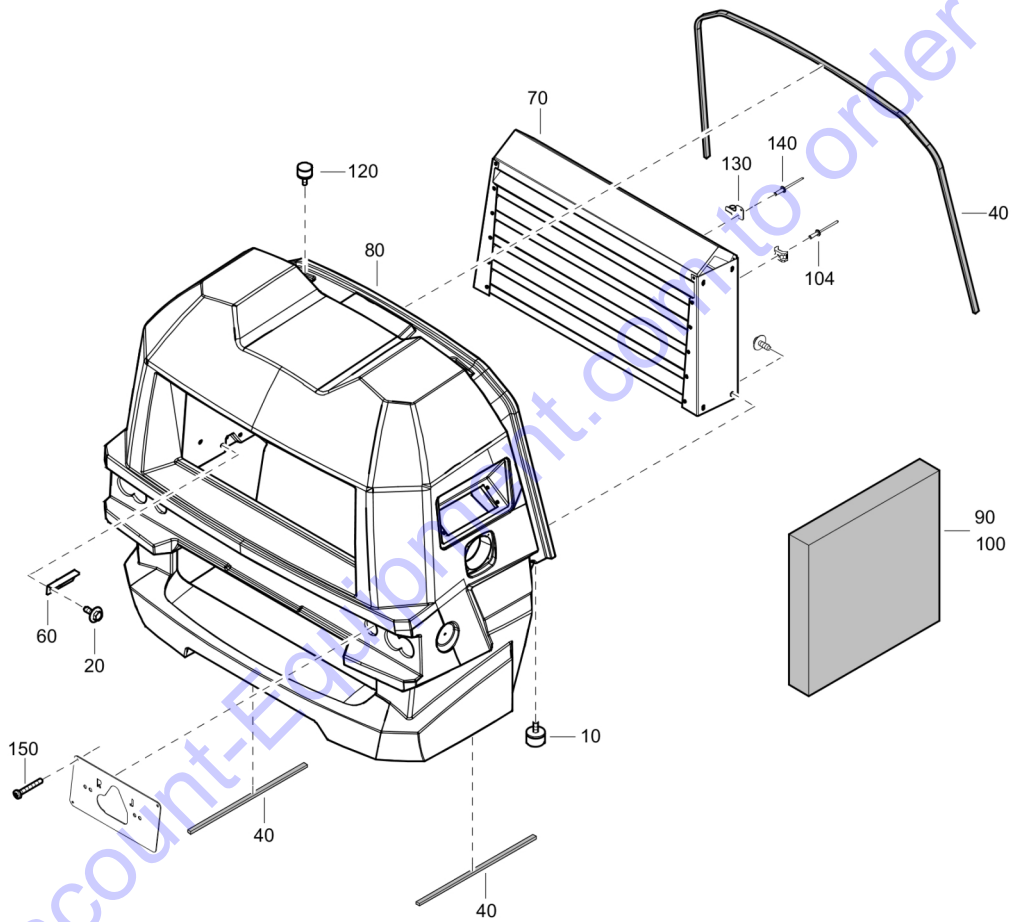
<b>Id</b>	<b>Qty</b>	<b>Number</b>	<b>Name</b>	<b>Specifications</b>
10	1	1638348971	Hood	

Go to Discount-Equipment.com to order your parts



Id	Qty	Number	Name	Specifications
10	1	1638348071	Bumper	

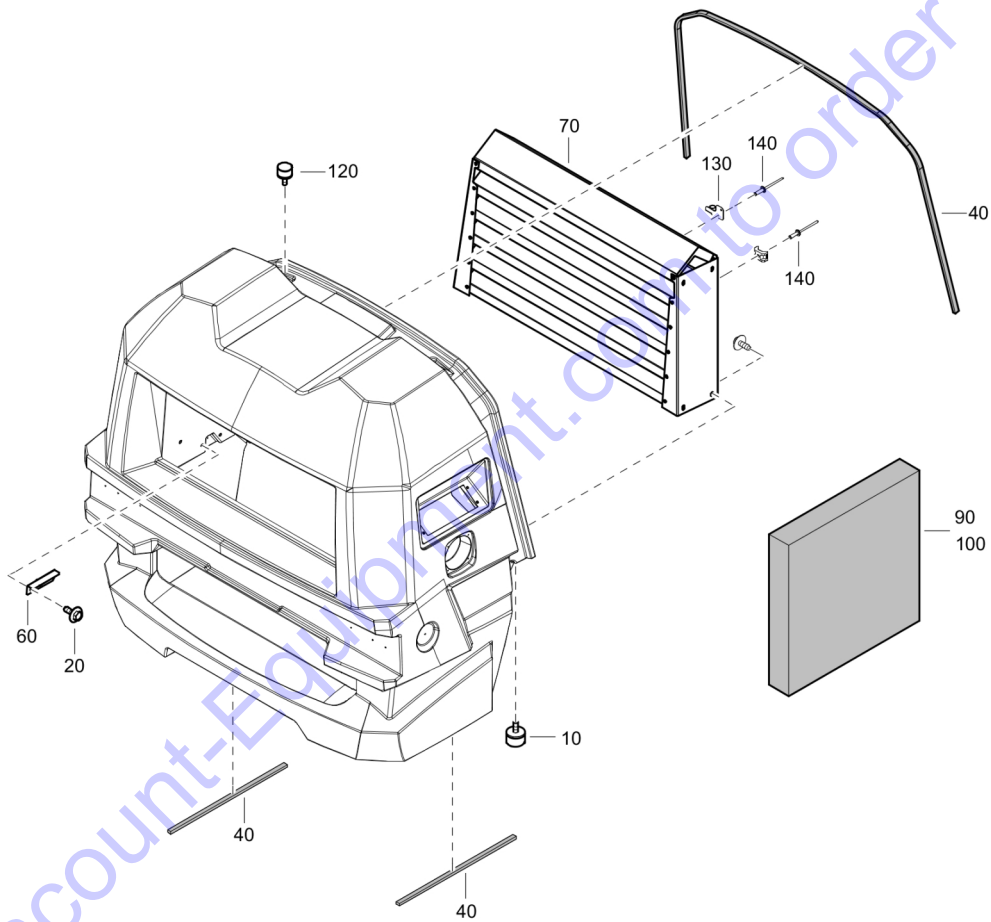
Go to Discount-Equipment.com to order your parts





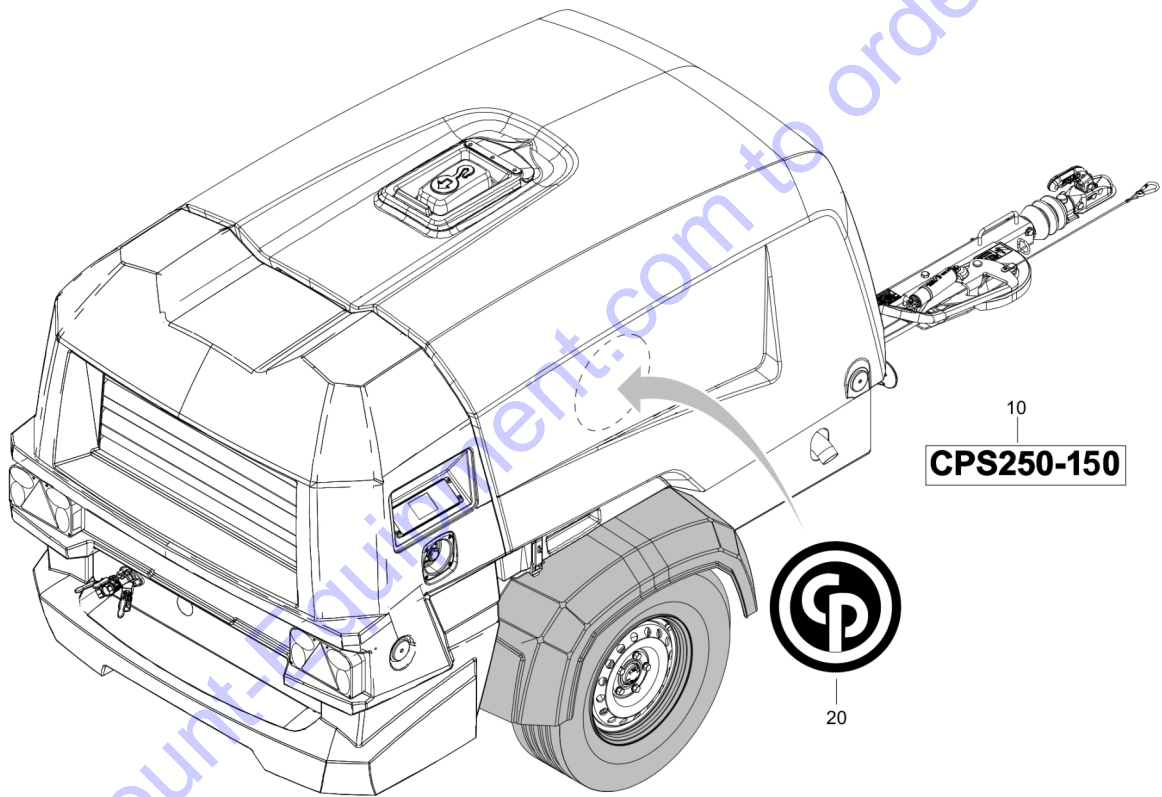
Id	Qty	Number	Name	Specifications
10	2	1604186900	BUFFER	
20	12	1615566400	BOLT-SCRAPER:M8X25, 8.8 FZB	
40	3	1619556200	SEAL	
60	2	1638333801	BRACKET	
70	1	1638378982	BAFFLE	
80	1	1638373601		Version: 00
90	1		Insulation silencing (30mm)	
100	1		Insulation silencing (30mm)	
120	2	1638396400	BUFFER -	
130	1	1638442401	Support plate	
140	4	0129311600	RIVET	
150	4	0226004709	SCREW	
-		1079000332	SILENCING FOAM	

Go to Discount-Equipment.com to order your parts



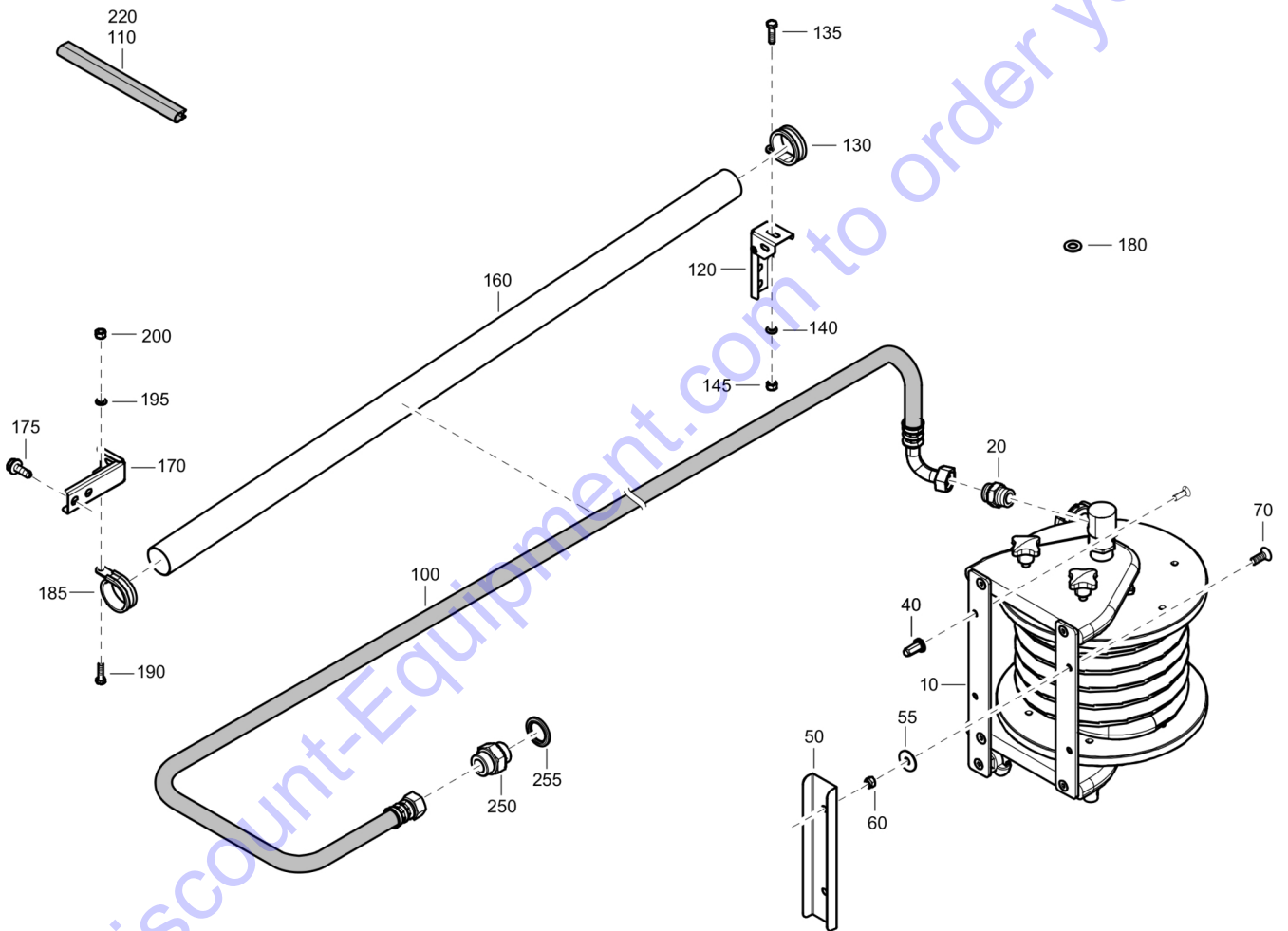
Id	Qty	Number	Name	Specifications
10	2	1604186900	BUFFER	
20	12	1615566400	BOLT-SCRAPER:M8X25, 8.8 FZB	
40	3	1619556200	SEAL	
60	2	1638333801	BRACKET	
70	1	1638378982	BAFFLE	
90	1		Insulation silencing (30mm)	
100	1		Insulation silencing (30mm)	
120	2	1638396400	BUFFER -	
130	1	1638442401	Support plate	
140	4	0129311600	RIVET	
-		1079000332	SILENCING FOAM	

Go to Discount-Equipment.com to order your parts



Id	Qty	Number	Name	Specifications
10	2	1638306511	DECAL UNIT	
20	2	1626537303	LABEL CP LOGO	

Go to Discount-Equipment.com to order your parts



Id	Qty	Number	Name	Specifications
10	1	1638264500	HOSE REEL	
20	1	0571003536	Nipple	
40	2	0298100180	Nut	
50	2	1638344700	Back plate	
55	2	0300801900	WASHER-FLAT:M 8.40/25.0X2.0T	
60	2	0291112818	PORCA TRAVA M8	
70	4	0216132403	SCREW:M8X22,SOC HD,CS,\$STL	
100	1	1638446400	HOSE ASSEMBLY	
110		1503105600	SEAL	
120	1	1638313600	BRACKET	
130	1	1613080104	CLAMP	
135	1	0147124703	SCREW:M 6X 20;HEX HD,ZN PLT,\$S	
140	1	0301232100	PLAIN WASHER(A) 6.4 X 12 X 1.6	
145	1	0266210800	NUT M6	
160	1	1638442600	Pipe	
170	1	1638313600	BRACKET	
175	1	0147140003	SCREW:M12X 25;HEX HD,ZN PLT,\$S	
180	1	0301235800	PLAIN WASHER(A) 13 X 24 X 2.5	
185	2	1613080104	CLAMP	
190	1	0147124703	SCREW:M 6X 20;HEX HD,ZN PLT,\$S	
195	1	0301232100	PLAIN WASHER(A) 6.4 X 12 X 1.6	
200	1	0266210800	NUT M6	
220		1503105600	SEAL	
250	1	1079584029	NIPPLE M26 - G3/4"	
255	1	0661103800	SEALING WASHER	

Part no	Part no	Part no	Part no	Part no	Part no
	Compressor_oil_Geno		1638373483		1638373483
	1626850007		1626850007		1626850007
	1638373483		1626850007		1626850007
	1626850007		1638373483		2912500502
	1638373682		1638373682		1638373684
	1638373684		2912500502		2912500502
	2912500502		2912500502		1638373583
	1638373583		1611720727		2912500502
	2912500502		2912500502		2912500502
	2912500502		1638373483		1638373483
	1611710227		2911007400		2911007400
	Engine_oil_Genoil		2911007400		2911007400
	2911007400		2911007400		2911007400
	2911007400		2911007400		2911007400
	2911007400		Coolant_GencoolEGar		Engine_oil_Genoil
	Engine_oil_Genoil		2911007400		2912641607
	Compressor_oil_Geno		2911007400		Compressor_oil_Geno
	2912641607		2911007400		Coolant_GencoolEGar
0070600205	1638205881	0070600205	1611709927	0070600205	1611709927
0070600205	1611709927	0070600205	1611709927	0070600248	1611714327
0075402599	1611709827	0075402599	1611709827	0075402599	1611709827
0075402599	1611709827	0075402599	1611709827	0075402599	1611709827
0102062600	1611709327	0129311000	1638296380	0129311000	1638296380
0129311600	1638373583	0129311600	1638373682	0129311600	1638373684
0129317401	1638373483	0129317700	1638378580	0129317700	1638378981
0144336203	1611714527	0147111126	1611709327	0147111128	1611714527
0147117303	1611720627	0147120803	1611714527	0147120803	1611720327
0147121303	1611720427	0147124403	1611729827	0147124403	1611716427
0147124603	1611714327	0147124603	1611709827	0147124603	1611714527
0147124703	1611700001	0147124703	1611700001	0147124903	1604084785
0147125203	1638205881	0147132203	1611709927	0147132303	1611709227
0147132303	1611709727_08W	0147132303	1611714327	0147132303	1611714327
0147132503	1611709227	0147132503	1611709227	0147132503	1611714327
0147132603	1611709127	0147132603	1611709127	0147132703	1611714227
0147136203	1611726227	0147136203	1611709327	0147136303	1611709827
0147136303	1611709827	0147136303	1611713627	0147136315	1611709327
0147136403	1611709327	0147140003	1611700001	0147140115	1611709127
0147141203	1611713627	0147141703	1638412480	0147143903	1611713627
0147195950	1611709227	0147195950	1611714527	0147196101	2914900019
0147196276	1638205881	0147196304	1638307880	0147196304	1638412480
0147196304	2914900019	0196155263	1626857391	0211110577	1611709327
0211110607	1611709227	0211117003	1611709927	0211125103	1611709727_08W
0211125103	1611709727_08W	0211125503	1611709927	0211132300	1611716727
0211132300	1611716627	0211132503	1611709227	0211133303	1611709327
0211133703	1611709327	0211136303	1611709327	0211136403	1611709327
0211136403	1611709327	0211137103	1611714327	0211137900	1611709927
0211220581	1611709327	0211528800	1611709327	0215001110	1638374481
0216132403	1611700001	0216195726	1611709327	0223132202	1611710627
0226004709	1638373684	0226004709	1611714527	0226004709	1638373486
0226004709	1611716427	0226333003	1638373483	0226333003	1638373486
0246195629	1638186087	0246195657	1638186087	0261210800	1626857391
0261211000	1611714327	0266210800	1611700001	0266210800	1611700001
0266211000	1611709727_08W	0266211000	1604084785	0266211000	1611714327
0266211000	1611719627	0266211000	1611709227	0266211300	1611713627
0291111000	1638205881	0291112818	1611714327	0291112818	1611700001
0291112820	1611713627	0298100180	1611700001	0298100197	1638373682
0298100197	1638373483	0300027460	1611714827	0300027621	1611709227
0300027621	1611714327	0300801900	1611709727_08W	0300801900	1611710627
0300801900	1611719627	0300801900	1611713627	0300801900	1611713627
0300801900	1611714227	0300801900	1611700001	0301231500	1611720627
0301231800	1611709827	0301231800	1611714527	0301232100	1611700001
0301232100	1611714527	0301232100	1611709827	0301232100	1611700001



Part no	Part no	Part no	Part no	Part no	Part no
0301232100	1611869012	0301232100	1611714327	0301233500	1611709227
0301233500	1611709227	0301233500	1611714827	0301233500	1611709127
0301233500	1611716627	0301233500	1611709927	0301233500	1611714327
0301233500	1638205881	0301233500	1611716727	0301234400	1611709927
0301234400	1611709327	0301234400	1611709827	0301234400	1611713627
0301234400	1611709327	0301234400	1611714527	0301234400	1611709327
0301234400	1611709327	0301234400	1611709827	0301235800	1611713627
0301235800	1611700001	0301235800	1638412480	0301235800	2914900019
0324100038	1611714827	0333210836	1611709227	0333322700	1611709727_08W
0333322700	1611714327	0333520013	1611726227	0333520015	1611709227
0333520016	1611713627	0335216200	1611709327	0337606200	1611709327
0346100209	1611714327	0346100209	1611714327	0346100209	1611709127
0346100210	1611714327	0346101401	1611714527	0346300108	1611709227
0347010215	1611709727_08W	0347010216	1611709727_08W	0347610019	1611714227
0347610024	1611714227	0347611400	1611714227	0347611500	1611714227
0348011003	1611716427	0348011003	1611709227	0348011003	1638186087
0348011003	1611714527	0348011003	1638373585	0500451033	1638205881
0504020013	1611709327	0517142000	1604084785	0560440158	1611709827
0560440171	1611709827	0560440171	1611709827	0560440171	1611709827
0560441105	1611709827	0571002164	1611709827	0571002164	1611709827
0571002164	1611709827	0571002164	1611709827	0571002164	1611709827
0571002164	1611709827	0571003536	1611700001	0571003553	1611716627
0571003553	1611716727	0571003572	1611716727	0571003572	1611716627
0581202536	1611714327	0582120006	1638205881	0583810076	1638205881
0583810084	1611714327	0583810152	1611714327	0583810152	1611714327
0583812138	1638205881	0583812138	1611709927	0583812162	1611709927
0583812162	1638205881	0583812162	1611709927	0583812162	1611714327
0583812162	1611709927	0603410203	1611709927	0603415047	1611739931
0623210012	1611716727	0627420013	1611709327	0653104300	1611709927
0653104300	1638205881	0653104600	1611714227	0653104600	1611714227
0653106200	1611709327	0653107000	1611709927	0653107000	1638186087
0653107600	1611709827	0653107600	1611709827	0653107600	1611709827
0653107600	1611709827	0653111500	1611709327	0653111500	1638186087
0661101400	1611714227	0661101400	1611714227	0661102600	1611709327
0661103300	1638197581	0661103300	1611714327	0661103300	1611714327
0661103300	1638178481	0661103800	1611714327	0661103800	1611714327
0661103800	1611714327	0661103800	1611716627	0661103800	1611700001
0661103800	1611714327	0661103800	1611714327	0661104900	1611716627
0661104900	1611709927	0661104900	1611716727	0661105600	1611716727
0661105600	1611716627	0663210778	1611709327	0663211178	1611714327
0663211620	1611709327	0663211684	1611714327	0663211685	1611714327
0663211686	1611714327	0663311800	1611709327	0663313100	1604084785
0663313200	1604084785	0663313500	1611709327	0663611100	1638205881
0663611200	1604084785	0663611400	1638205881	0663611800	1638205881
0663711600	1638205881	0663711900	1638205881	0663712000	1638205881
0663712600	1638205881	0663713500	1611709327	0663713700	1611709327
0665910049	1638205881	0686371601	1638186087	0686371601	1611709327
0686371602	1638197581	0686371602	1638178481	0686371602	1611714327
0686420103	1611709927	0686420203	1611709927	0686420203	1611709927
0686423018	1638186087	0823005009	1611714327	0832100128	1611719627
0852001030	1611716727	0975830017	1611714527	1079000332	1638373684
1079000332	1638373583	1079000333	1638373682	1079584015	1611714327
1079584029	1611714327	1079584029	1611700001	1079584029	1611714327
1079584029	1611714327	1079584029	1611714327	1079992207	1638373486
1079993139	1611719627	1079993186	1611719627	1088001901	1611714527
1088001903	1611714527	1088001903	1611714527	1088001906	1611729827
1088001906	1611716427	1088080153	1611709127	1088080307	1638186087
1088083204	1638186087	1089047503	1611714527	1089057470	1611714527
1089057470	1611714527	1089945721	1638380500	1089945781	1638380500
1089951504	1611709927	1092049842	1611714227	1092049842	1611714227
1202871900	1611709227	1202871900	1611709227	1310073053	1611720427
1503105600	1638917580	1503105600	1611710627	1503105600	1611700001

Part no	Part no	Part no	Part no	Part no	Part no
1503105600	1611700001	1604028700	1611709327	1604030700	1638205881
1604030801	1638205881	1604030901	1638205881	1604031000	1638205881
1604031201	1638205881	1604031300	1638205881	1604084902	1604084785
1604085003	1604084785	1604128001	1611714227	1604186800	1611714227
1604186900	1638373684	1604186900	1638373682	1604186900	1638373583
1604186900	1638373585	1604220600	1638373486	1604331709	1611742431
1604332900	1611714527	1604413700	1611709827	1604413700	1611709827
1604413700	1611709827	1604413700	1611709827	1604413700	1611709827
1604413700	1611709827	1604413700	1611709827	1604431700	1638373483
1604431700	1638378580	1605002501	1611714827	1605002501	1611729827
1605002501	1611716427	1607852218	1611714527	1607852223	1611714527
1607852288	1611709927	1607852288	1611714527	1607852293	1611709927
1607852735	1611714527	1607852740	1611714527	1612215200	1611714227
1612215200	1611714227	1613080104	1611700001	1613080104	1611700001
1613265500	1638186087	1613543901	1611869012	1613544001	1611869012
1613673900	1611709327	1613726200	1638205881	1613791201	1611714227
1613791201	1611714227	1614611800	1611714327	1615508000	1611714327
1615552000	1611716427	1615566400	1638373682	1615566400	1638373583
1615566400	1611709227	1615566400	1611709727_08W	1615566400	1638373684
1615566400	1611714827	1615566400	1611709227	1615566400	1611714527
1615566400	1638373486	1615566400	1611714527	1615566400	1638373483
1615566400	1611709727_08W	1615566400	1611709727_08W	1615566400	1638373585
1615566400	1611709727_08W	1615659501	1611709327	1615767300	1638205881
1615769000	1611709727_08W	1615770600	1611714227	1615781400	1611714227
1615830900	1611709227	1615834402	1638205881	1615834501	1638205881
1615943800	1611714227	1615957500	1611713627	1616461501	1611709827
1616510800	1638178481	1616562500	1611709327	1619276600	1611714527
1619276600	1611714527	1619276600	1611714527	1619276600	1611714527
1619276600	1611714227	1619276600	1611714527	1619276600	1611714827
1619276600	1611729827	1619276600	1611713627	1619276600	1611713627
1619276600	1611720627	1619377001	1611714327	1619533703	1611714227
1619556200	1638373684	1619556200	1638373682	1619556200	1638373682
1619556200	1638373583	1619556200	1638373585	1619556200	1638373682
1619759500	1611714327	1622052500	1611714327	1626225501	2950799000Kitsandco
1626225501	Coolant_GencoolEGar	1626225601	2950799000Kitsandco	1626225601	Coolant_GencoolEGar
1626225701	Coolant_GencoolEGar	1626225701	2950799000Kitsandco	1626225801	Engine_oil_Genoil
1626225801	2950799000Kitsandco	1626225901	Engine_oil_Genoil	1626225901	2950799000Kitsandco
1626226000	2950799000Kitsandco	1626226000	Compressor_oil_Geno	1626226100	Compressor_oil_Geno
1626226100	2950799000Kitsandco	1626226200	2950799000Kitsandco	1626226200	Engine_oil_Genoil
1626226300	2950799000Kitsandco	1626226300	Engine_oil_Genoil	1626294500	1611713627
1626308301	1611709327	1626308401	1611709327	1626310800	1638186087
1626310800	1638373486	1626310800	1638373483	1626360700	1611709827
1626414500	1638374481	1626511800	1611714327	1626513400	1611714327
1626515900	1611714327	1626516302	1611709927	1626516500	1611714327
1626537303	1611729927	1626577700	1604084785	1626602800	1611713627
1626643500	1611714527	1626730802	1611713627	1626789700	1611717327
1626835800	1638374481	1626850007	1611714527	1626958300	1638260481
1626959000	1638260481	1626974001	1611714327	1630013411	2950799000Kitsandco
1630013411	Coolant_GencoolEGar	1630013416	2950799000Kitsandco	1630013416	Coolant_GencoolEGar
1630017500	2950799000Kitsandco	1630017500	Compressor_oil_Geno	1630024900	Compressor_oil_Geno
1630024900	2950799000Kitsandco	1631006000	1611709327	1636301038	2914900080
1636301053	2914900080	1636301277	2914900080	1636301279	2914900080
1638074000	Engine_oil_Genoil	1638074000	2950799000Kitsandco	1638075000	Engine_oil_Genoil
1638075000	2950799000Kitsandco	1638135804	1611709927	1638165281	1611716727
1638165281	1611716627	1638178481	1611719627	1638184300	1611739931
1638186087	1611709127	1638189302	1611709727_08W	1638197501	1638197581
1638197583	1611709727_08W	1638201401	1611709927	1638201600	1611709927
1638201700	1611709927	1638202900	1638205881	1638203802	1611709727_08W
1638204901	1611709227	1638205882	1611709927	1638210006	1611714527
1638211703	1611709227	1638214300	1611709327	1638214600	1611709327
1638214700	1611709327	1638214900	1611709327	1638216501	1611709727_08W
1638216602	1611709727_08W	1638217404	1611709727_08W	1638217503	1611709727_08W

Part no	Part no	Part no	Part no	Part no	Part no
1638218100	1611709927	1638219380	1611709227	1638221700	1611714227
1638225300	1611709327	1638225901	1611709927	1638226701	1611714227
1638226800	1611714227	1638246500	1611709327	1638247104	1611710627
1638247300	1611742431	1638247801	1611710627	1638250900	1611709327
1638255500	1611709327	1638260481	1611709827	1638264500	1611700001
1638265301	1611714327	1638266501	1611714527	1638266601	1611714527
1638275001	1611714327	1638275203	1611709127	1638276001	1611714327
1638276101	1611714327	1638278000	1611709727_08W	1638278100	1611709727_08W
1638279800	1638260481	1638280500	1638260481	1638284700	1611709327
1638286501	1611709227	1638286600	1611709227	1638287600	1638374481
1638288200	1611714827	1638288500	1611716627	1638288500	1611716727
1638290503	1611709127	1638292101	1611720327	1638292201	1611720327
1638293400	1611709827	1638295500	1611713627	1638295900	1611716427
1638296000	1638296380	1638296100	1638296380	1638296200	1638296380
1638296300	1638296380	1638296380	1611716427	1638298200	1611713627
1638300300	1611709827	1638300300	1611709827	1638300300	1611709827
1638300300	1611709827	1638306511	1611729927	1638307880	1611730327
1638308300	1638307880	1638308300	1638412480	1638308300	2914900019
1638308800	1638307880	1638308800	1638412480	1638308800	2914900019
1638308900	2914900019	1638308900	1638307880	1638308900	1638412480
1638313100	1638296380	1638313100	1611716427	1638313201	1611716427
1638313600	1611700001	1638313600	1611700001	1638315600	1638296380
1638315700	1638296380	1638315700	1611716427	1638315800	1611716427
1638315800	1638296380	1638316300	1611714527	1638317201	1611714527
1638327400	1611714527	1638327901	1638373486	1638327901	1638373483
1638328101	1638373486	1638328101	1638373483	1638329802	1611729827
1638329803	1611716427	1638331104	1611714827	1638333500	1638373682
1638333801	1638373682	1638333801	1638373684	1638333801	1638373583
1638333802	1638373585	1638337800	1638373486	1638337800	1638373483
1638339401	1611709727_08W	1638339900	1638373483	1638343600	1638373483
1638343600	1638373486	1638344700	1611700001	1638344801	1611720627
1638345601	1611716427	1638348071	1638373601	1638348970	1638373400
1638348971	1638373401	1638353600	1611709727_08W	1638353600	1611709727_08W
1638355800	1638380500	1638360000	1611716727	1638360101	1611716627
1638360101	1611716727	1638360101	1611716727	1638360200	1611716727
1638367500	1638373682	1638373401	1638373483	1638373486	1611702062
1638373486	1611714827	1638373583	1611729827	1638373601	1638373682
1638373601	1638373684	1638373686	1611716427	1638374481	1611717327
1638374500	1611717327	1638378480	1638378580	1638378500	1638378580
1638378581	1638373486	1638378581	1638373483	1638378600	1638378580
1638378780	1638378580	1638378880	1638378981	1638378901	1638378981
1638378981	1638373682	1638378982	1638373585	1638378982	1638373583
1638378982	1638373684	1638381600	1611716627	1638386000	1611716627
1638393800	1638374481	1638396400	1638373682	1638396400	1638373583
1638396400	1638373684	1638396400	1638373585	1638403600	1611714527
1638412480	1611713627	1638413100	1638412480	1638413100	2914900019
1638415000	1611714527	1638415200	2914900019	1638415200	1638412480
1638418500	1611730327	1638426700	1611726227	1638428600	1611726227
1638430900	1611730327	1638431000	1611730327	1638442401	1638373583
1638442401	1638373585	1638442401	1638373684	1638442600	1611700001
1638443000	1611727327	1638446400	1611700001	1638508201	1611742431
1638516000	1611714527	1638517300	1611716727	1638525700	1638373486
1638525700	1638373483	1638530300	1611719627	1638535000	1611716627
1638535000	1611716727	1638535000	1611709127	1638555580	1611720627
1638661700	1638373486	1638766800	1611742431	1638826100	1611714327
1638830600	1611716727	1638830600	1611716627	1638855401	1611714827
1638890800	1611709327	1638894100	1611742431	1638917500	1638917580
1638917580	1611721127	1638920600	1611721127	1638937302	1611716427
2204184680	1611714327	2252142800	1604084785	2252405700	1604084785
2252405800	1604084785	2252405901	1604084785	2252406000	1604084785
2252419700	1604084785	2911007400	2911007400	2912500502	2950799000Kitsandco
2912641607	2950799000Kitsandco	2913000181	2914900080	2913000240	1626850007

Part no	Part no	Part no	Part no	Part no	Part no
2913000241	1626850007	2913307200	2914900080	2913307500	2914900080
2913307800	2914900080	2913312200	2914900080	2913316800	2914900080
2913320001	2914900080	2913320002	2914900080	2913320003	2914900080
2913320004	2913320412	2913320005	2914900080	2913320006	2914900021
2913320007	2914900021	2913320008	2914900021	2913320009	2914900021
2913320100	2914900080	2913320101	2914900080	2913320102	2914900080
2913320103	2914900080	2913320104	2914900080	2913320105	2914900080
2913320106	2913320412	2913320107	2914900080	2913320108	2914900080
2913320109	2914900080	2913320110	2914900080	2913320111	2914900080
2913320112	2914900080	2913320113	2914900080	2913320114	2914900080
2913320115	2914900080	2913320116	2914900080	2913320117	2914900080
2913320118	2914900080	2913320119	2914900021	2913320120	2914900021
2913320121	2914900021	2913320122	2914900021	2913320412	2914900080
2914000001	2914900019	2914000003	2914900019	2914000004	2914900019
2914000005	2914900019	2914000006	2914900019	2914000007	2914900019
2914000008	2914900019	2914000009	2914900019	2914102600	2914900078
2914102601	2914900078	2914102602	2914900078	2914102603	2914900078
2914102604	2914900078	2914102605	2914900078	2914102606	2914900078
2914102607	2914900078	2914102608	2914900078	2914102609	2914900078
2914102700	2914900078	2914102801	2914900019	2914102803	2914900019
2914102804	2914900019	2914102807	2914900019	2914103008	2914900019
2914103012	2914900019	2914103013	2914900019	2914103014	2914900019
2914103021	2914900019	2914103024	2914900019	3315019508	1611709127
3315019508	1611709227	6211472200	1611714327		

Go to Discount-Equipment.com to order your parts



[www.discount-equipment.com](http://www.discount-equipment.com)

# PARTS FINDER

**Search Website  
by Part Number**



**Search Manual  
Library For Parts  
Manual & Lookup Part  
Numbers – Purchase  
or Request Quote**

**Search Manuals**

Enter your information to help us find the right parts manual for your machine.

\* Brand:

\* Model:

\* Serial:

\* Part Number:

SEARCH

**Can't Find Part or  
Manual? Request Help  
by Manufacturer,  
Model & Description**

**Parts Order Form**

Please fill in the following information to help us find the right part for your machine.

Manufacturer:	<input type="text"/>
Model:	<input type="text"/>
Description:	<input type="text"/>
Part Number:	<input type="text"/>
Quantity:	<input type="text"/>
Notes:	<input type="text"/>

Discount-Equipment.com is your online resource for quality parts & equipment.

Florida: **561-964-4949** Outside Florida TOLL FREE: **877-690-3101**

**Need parts?**

Click on this link: <http://www.discount-equipment.com/category/5443-parts/> and choose one of the options to help get the right parts and equipment you are looking for. Please have the machine model and serial number available in order to help us get you the correct parts. If you don't find the part on the website or on one of the online manuals, please fill out the request form and one of our experienced staff members will get back to you with a quote for the right part that your machine needs.

We sell worldwide for the brands: Genie, Terex, JLG, MultiQuip, Mikasa, Essick, Whiteman, Mayco, Toro Stone, Diamond Products, Generac Magnum, Airman, Haulotte, Barreto, Power Blanket, Nifty Lift, Atlas Copco, Chicago Pneumatic, Allmand, Miller Curber, Skyjack, Lull, Skytrak, Tsurumi, Husquvarna Target, Stow, Wacker, Sakai, Mi-T-M, Sullair, Basic, Dynapac, MBW, Weber, Bartell, Bennar Newman, Haulotte, Ditch Runner, Menegotti, Morrison, Contec, Buddy, Crown, Edco, Wyco, Bomag, Laymor, EZ Trench, Bil-Jax, F.S. Curtis, Gehl Pavers, Heli, Honda, ICS/PowerGrit, IHI, Partner, Imer, Clipper, MMD, Koshin, Rice, CH&E, General Equipment, Amida, Coleman, NAC, Gradall, Square Shooter, Kent, Stanley, Tamco, Toku, Hatz, Kohler, Robin, Wisconsin, Northrock, Oztec, Toker TK, Rol-Air, APT, Wylie, Ingersoll Rand / Doosan, Innovatech, Con X, Ammann, Mecalac, Makinex, Smith Surface Prep, Small Line, Wanco, Yanmar