



www.discount-equipment.com

Filter	1317008261,UVC 300888 -
Specifications	ASL Number: 1317008261, Product number: 8972422836, Product number: 8972422852, F
Identity	1317008261

PARTS FINDER

**Search Website
by Part Number**



**Search Manual
Library For Parts
Manual & Lookup Part
Numbers – Purchase
or Request Quote**

Search Manuals

Enter your information to help us find the right parts manual for your machine.

* Brand:

* Model:

* Serial:

* Part Number:

SEARCH

**Can't Find Part or
Manual? Request Help
by Manufacturer,
Model & Description**

Parts Order Form

Please fill in the following information to help us find the right part for your machine.

Manufacturer:	<input type="text"/>
Model:	<input type="text"/>
Description:	<input type="text"/>
Part Number:	<input type="text"/>
Quantity:	<input type="text"/>
Notes:	<input type="text"/>

Submit

Discount-Equipment.com is your online resource for quality parts & equipment.

Florida: **561-964-4949** Outside Florida TOLL FREE: **877-690-3101**

Need parts?

Click on this link: <http://www.discount-equipment.com/category/5443-parts/> and choose one of the options to help get the right parts and equipment you are looking for. Please have the machine model and serial number available in order to help us get you the correct parts. If you don't find the part on the website or on one of the online manuals, please fill out the request form and one of our experienced staff members will get back to you with a quote for the right part that your machine needs.

We sell worldwide for the brands: Genie, Terex, JLG, MultiQuip, Mikasa, Essick, Whiteman, Mayco, Toro Stone, Diamond Products, Generac Magnum, Airman, Haulotte, Barreto, Power Blanket, Nifty Lift, Atlas Copco, Chicago Pneumatic, Allmand, Miller Curber, Skyjack, Lull, Skytrak, Tsurumi, Husquvarna Target, Stow, Wacker, Sakai, Mi-T-M, Sullair, Basic, Dynapac, MBW, Weber, Bartell, Bennar Newman, Haulotte, Ditch Runner, Menegotti, Morrison, Contec, Buddy, Crown, Edco, Wyco, Bomag, Laymor, EZ Trench, Bil-Jax, F.S. Curtis, Gehl Pavers, Heli, Honda, ICS/PowerGrit, IHI, Partner, Imer, Clipper, MMD, Koshin, Rice, CH&E, General Equipment, Amida, Coleman, NAC, Gradall, Square Shooter, Kent, Stanley, Tamco, Toku, Hatz, Kohler, Robin, Wisconsin, Northrock, Oztec, Toker TK, Rol-Air, APT, Wylie, Ingersoll Rand / Doosan, Innovatech, Con X, Ammann, Mecalac, Makinex, Smith Surface Prep, Small Line, Wanco, Yanmar

Spare part list

	Engineparts
Maintenance kit	Maintenancekit
	Engineparts
Compressor parts	Compressorparts
Service pack 500 hours	1316205600
KIT:1500HR-CPS 400 KOD	1316205605
Engine Oil	Engine_oil_Genoil_1317008240
Compressor Oil	pressor_oil_Genoil_1317008240
COOLANT	Coolant_Gencool
Kit:oil seprator	1316020146
KIT: UNLOADER XAS 400-200 PACE	1316020147
BODYWORK	1317000262
Undercarriage	1317000315
Frame and mounts	1317000269
COMPRESSOR DRIVE	1317000270
Gearset	1310322357
Air inlet	1317000271
AIR OUTLET	1317000035
LABEL SET	1317000301
LABELS	1317000295
No air inlet shutdown	1317000258
Safety valve	1310322352
No aftercooler	1317000050
Engine system	1317000260
Engine	1316012500
Fuel system	1317000273
OIL SYSTEM	1317000313
REGULATION SYSTEM	1317000297
Exhaust System	1317000261
COOLING SYSTEM	1317000274
ELECTRICAL SYSTEM	1317000298
BATTERY:1100CCA GROUP 31	1310312501
Roadlights	1317000040
Control panel	1317000296
No eft	1317000316
No jockey wheel	1317000294
DUAL HOSE REEL	1317000192
SINGLE HOSE REEL	1317000191
SINGLE HOSE REEL	1317000190
Tool box	1317000187
AFTERCOOLER	1317000182
Fork pockets	1317000184
DUAL HOSE REEL	1317000193
Coupler 2"	1310312005
Coupler 1"	1310312359
NIPPLE - ADAPTOR:M42 X 1.5 NPT	1316010101
QUICKFIT ASSEMBLY	1317000790
Coupler - Loose ball Coupling 2-5/16	1310312358
Block heater	1317000479
EXTERNAL FUEL	1317000481
Bodywork sunbelt	1317000322
GOP:solar charg	1317000553

SKID	1317000183
Side markers	1317000482
SMARTBOX	1317000291
Air inlet shutdown	1317000480
DRAIN PORT:PD/DD FILTER ASY	1310963881
OSHA VALVE	1310050121
KIT:QUICKFIT	1316010372
FIRE EXTINGUISHER : 2.5LB ABC VM	1316162100
BAFFLE ASSEMBLY SUNBELT	1316113981
ROOF ASSEMBLY	1316115980
FRONT CANOPY SUNBELT	1316114481
Baffle assembly:red	1316176080
Roof spine assembly:black	1316176180
Kit-canopy:top PE	1316176500
Module	1638886200
Roof assembly	1316115960
Canopy rear PE	1316115770
ROOF:UPPER ASSEMBLY BLACK	1316176150



Maintenance kits

Description	Order number
Service pack 500 hours	1316205600
Service pack 1500 hours	1316205605



Fluids

Description	Order number
Can Gencool EG 5 Liter/1.32 Gallon	1626225501
Can Gencool EG 20 Liter/5.3 Gallon	1626225601
Can Genoil S 20 Liter/5.3 Gallon	1630017500
Can Genoil S Ultra 20 Liter/5.3 Gallon	1630024900
Can Genoil S Ultra 210 Liter/55.5 Gallon	2914000002



Compressor parts

Description	Order number
Bearing	0504020013
Level gauge	1616510800
Lipseal	1616562580
Non return valve	0823005009
Pressure sensor	1607852288
Temperature sensor	1089057470
Valve 71 degree celcius	1622706405
Valve solenoid	1089951504



Engine parts

Description	Order number
Air filter indicator	4810060664
Alternator	4810072666
Catalyst	4810072660

Scan QR code for more information

1317005075

CPS 400-150

Engine	DIESEL: KOHLER
Engine oil capacity	20.8 Liter / 5.5 US Gallon
Engine coolant capacity	23.6 Liter / 6.25US Gallon



Engine parts

Description	Order number
Coolant pump	4810072653
Coolant pump o-ring	4810072654
Egr valve	4810068935
Fan:28+ dia.	1316139400
Fuel feeding pump	4810063599
Fuel level sensor	1310074645
Fuelcap	1310924378
Injection pump gasket	4810060624
Injection pump	4810072643
Injector assembly	4810072641
Injector gasket	4810060602
Oil cap	4810060669
Oil cap o-ring	4810060600
Oil dipstick o-ring	4810072651
Oil dipstick	4810072650
Oil filter gasket kit	4810060662
Oil pressure switch	4810060648
Oil pump	4810072648
Oil sump plug	4810060670
Poly v-belt	4810072492
Sensor (phase)	4810072670
Sensor (speed)	4810072671
Starter motor	4810072674
Temperature switch water	4810060660
Thermostatic valve	4810072652
T-map sensor	4810060659
Turbocharger	4810072655



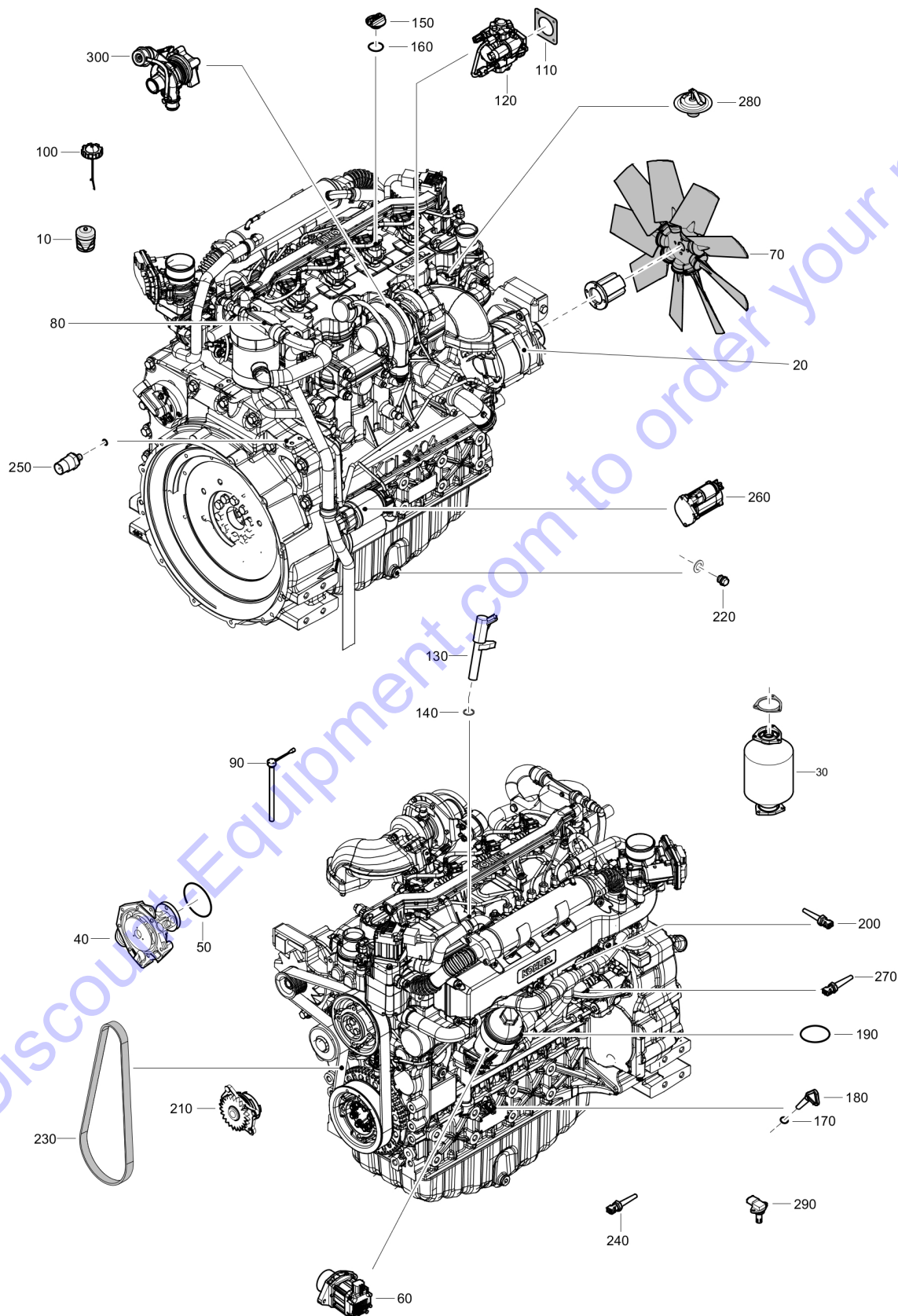
Service intervals

Change oil engine	Every 500 hours / 1 year
Change oil Compressor	Every 1500 hours / 2 years
Change coolant engine	Every 5000 hours

www.cp.com

Id	Qty	Number	Name	Specifications

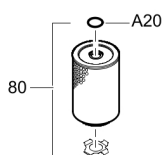
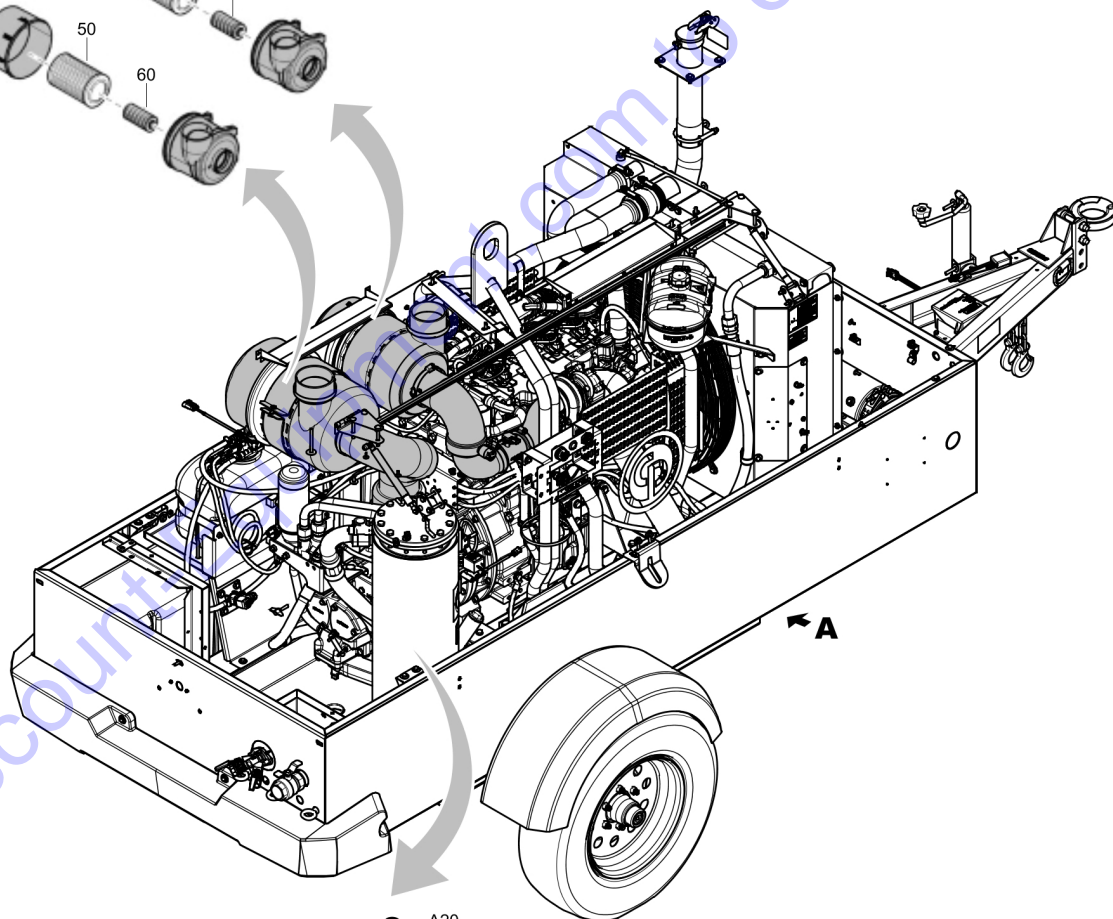
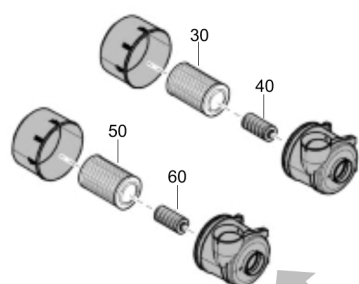
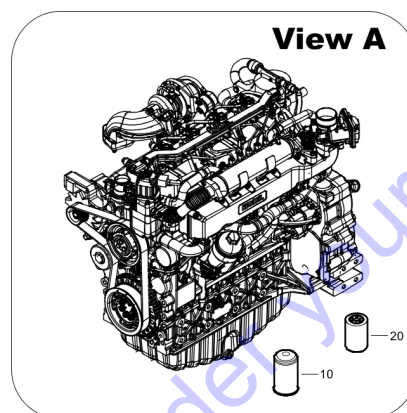
Go to Discount-Equipment.com to order your parts



Engineparts

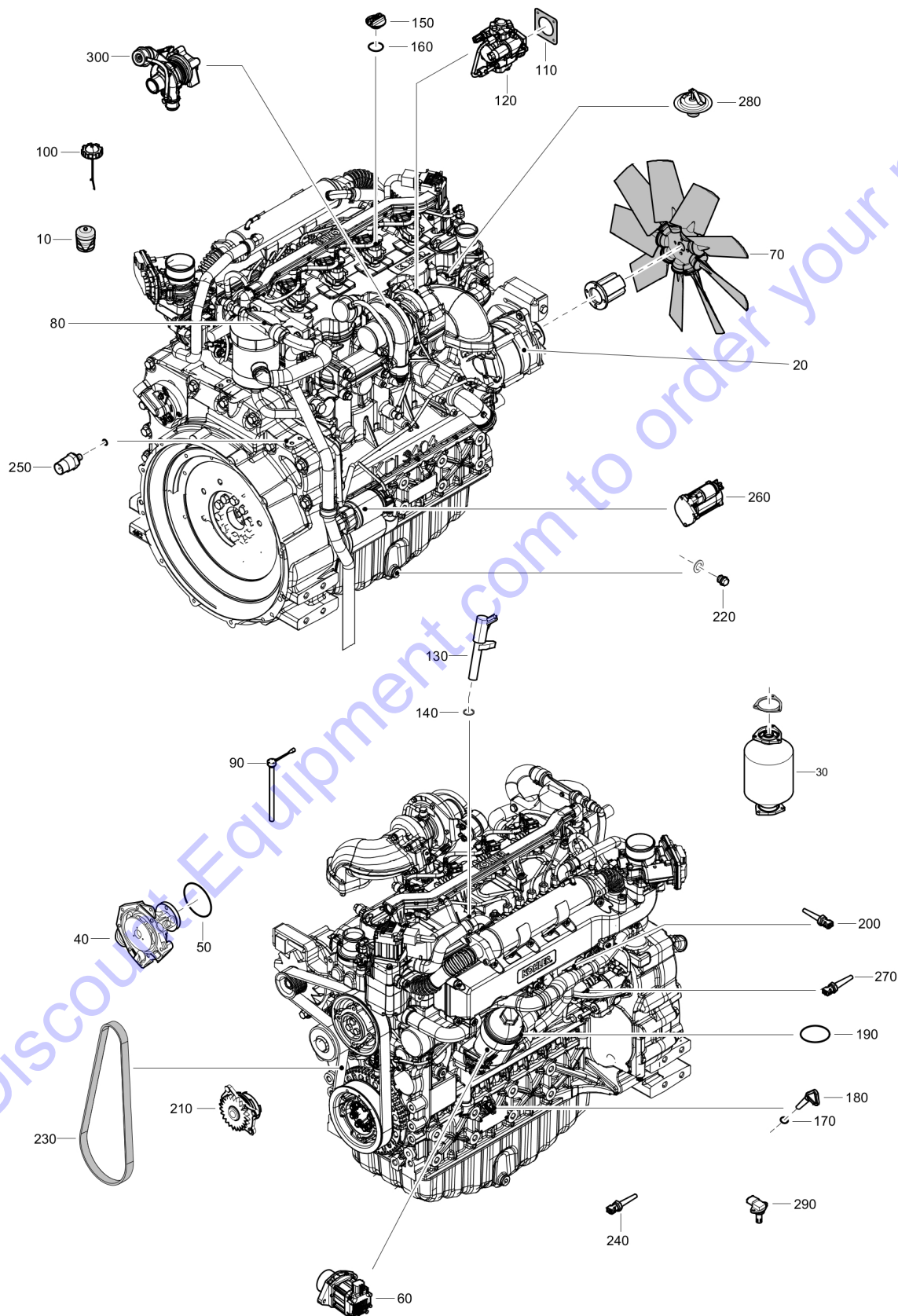
Version: 8972422836

Id	Qty	Number	Name	Specifications
10	1	4810060664	AIR FILTER INDICATOR	
20	1	4810072666	ALTERNATOR	
30	1	4810072660	CATALYST	
40	1	4810072653	COOLANT PUMP	
50	1	4810072654	COOLANT PUMP O-RING	
60	1	4810068935	EGR VALVE	
70	1	1316139400	FAN:28+ DIA.	
80	1	4810063599	FUEL FEEDING PUMP	
90	1	1310074645	FUEL LEVEL S	
100	1	1310924378	FUELCAP:KELCH 3.5" (BLACK)	
110	1	4810060624	INJECTION PUMP GASKET	
120	1	4810072643	INJECTION PUMP	
130	1	4810072641	INJECTOR ASSY:KDI3404TCR	
140	1	4810060602	INJECTOR GASKET	
150	1	4810060669	OIL CAP	
160	1	4810060600	OIL CAP O-RING	
170	1	4810072651	OIL DIPSTICK O-RING	
180	1	4810072650	OIL DIPSTICK:KDI3404TCR	
190	1	4810060662	OIL FILTER GASKET KIT	
200	1	4810060648	OIL PRESSURE SWITCH	
210	1	4810072648	OIL PUMP:KDI3404TCR	
220	1	4810060670	OIL SUMP PLUG	
230	1	4810072492	V-BELT FAN	
240	1	4810072670	SENSOR (PHASE)	
250	1	4810072671	SPEED SENSOR	
260	1	4810072674	Starter motor	
270	1	4810060660	TEMPERATURE SWITCH WATER	
280	1	4810072652	THERMOSTATIC VALVE	
290	1	4810060659	T-MAP SENSOR	
300	1	4810072655	Turbocharger	

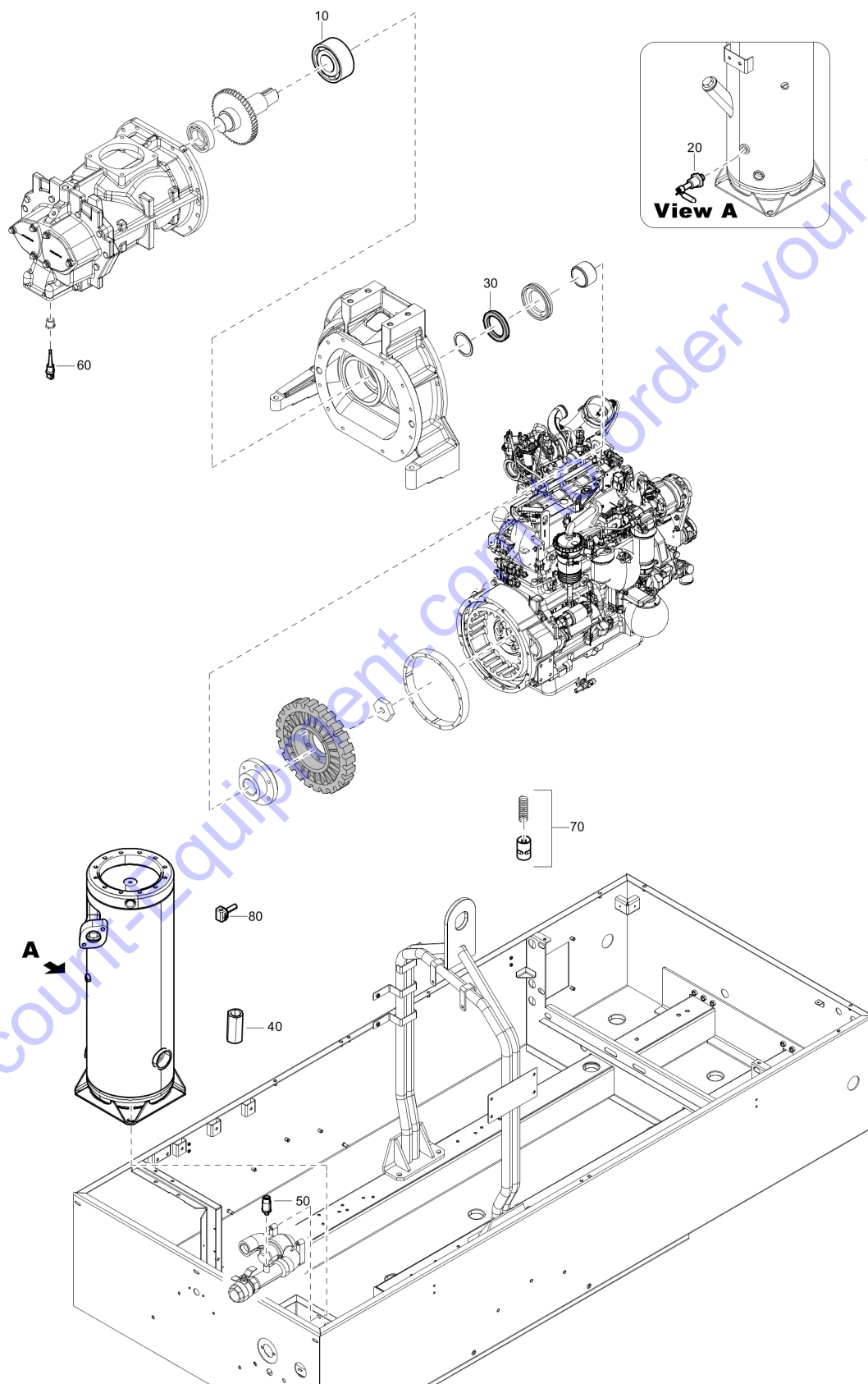


Id	Qty	Number	Name	Specifications
-		1316205600		Version: 2
-		1316205605	KIT:1500HR-CPS 400 KOD	Version: 3
-			Engine oil	
-			Coolent oil	
-			Compressor Oil	

Go to Discount-Equipment.com to order your parts

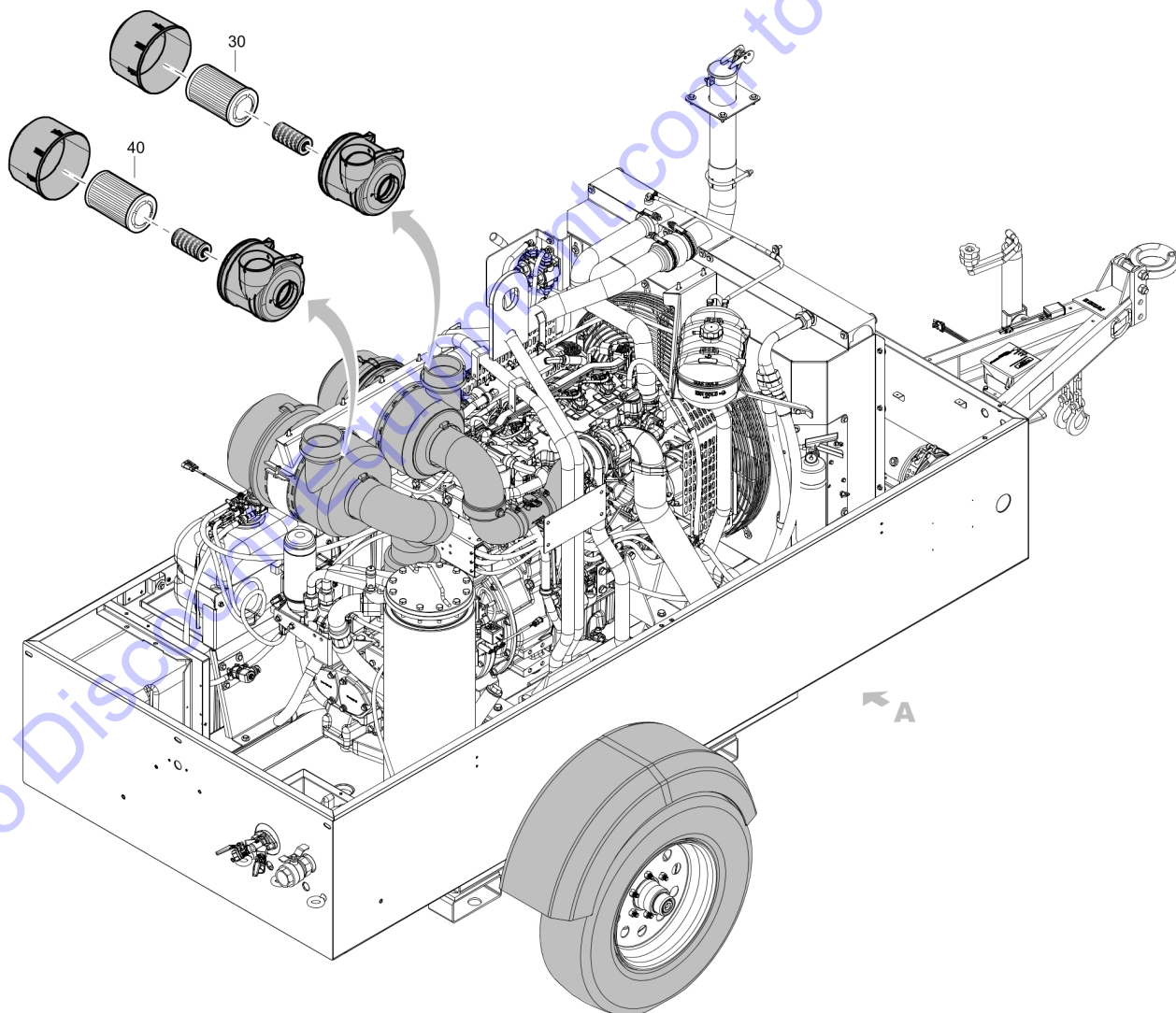
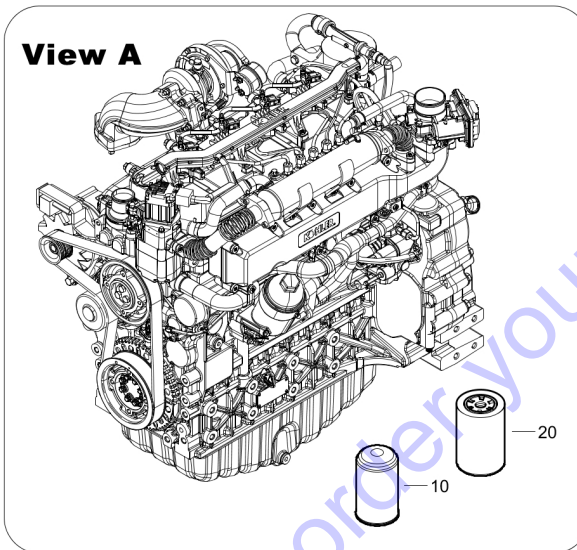


Id	Qty	Number	Name	Specifications
10	1	4810060664	AIR FILTER INDICATOR	
20	1	4810072666	ALTERNATOR	
30	1	4810072660	CATALYST	
40	1	4810072653	COOLANT PUMP	
50	1	4810072654	COOLANT PUMP O-RING	
60	1	4810068935	EGR VALVE	
70	1	1316139400	FAN:28+ DIA.	
80	1	4810063599	FUEL FEEDING PUMP	
90	1	1310074645	FUEL LEVEL S	
100	1	1310924378	FUELCAP:KELCH 3.5" (BLACK)	
110	1	4810060624	INJECTION PUMP GASKET	
120	1	4810072643	INJECTION PUMP	
130	1	4810072641	INJECTOR ASSY:KDI3404TCR	
140	1	4810060602	INJECTOR GASKET	
150	1	4810060669	OIL CAP	
160	1	4810060600	OIL CAP O-RING	
170	1	4810072651	OIL DIPSTICK O-RING	
180	1	4810072650	OIL DIPSTICK:KDI3404TCR	
190	1	4810060662	OIL FILTER GASKET KIT	
200	1	4810060648	OIL PRESSURE SWITCH	
210	1	4810072648	OIL PUMP:KDI3404TCR	
220	1	4810060670	OIL SUMP PLUG	
230	1	4810072492	V-BELT FAN	
240	1	4810072670	SENSOR (PHASE)	
250	1	4810072671	SPEED SENSOR	
260	1	4810072674	Starter motor	
270	1	4810060660	TEMPERATURE SWITCH WATER	
280	1	4810072652	THERMOSTATIC VALVE	
290	1	4810060659	T-MAP SENSOR	
300	1	4810072655	Turbocharger	



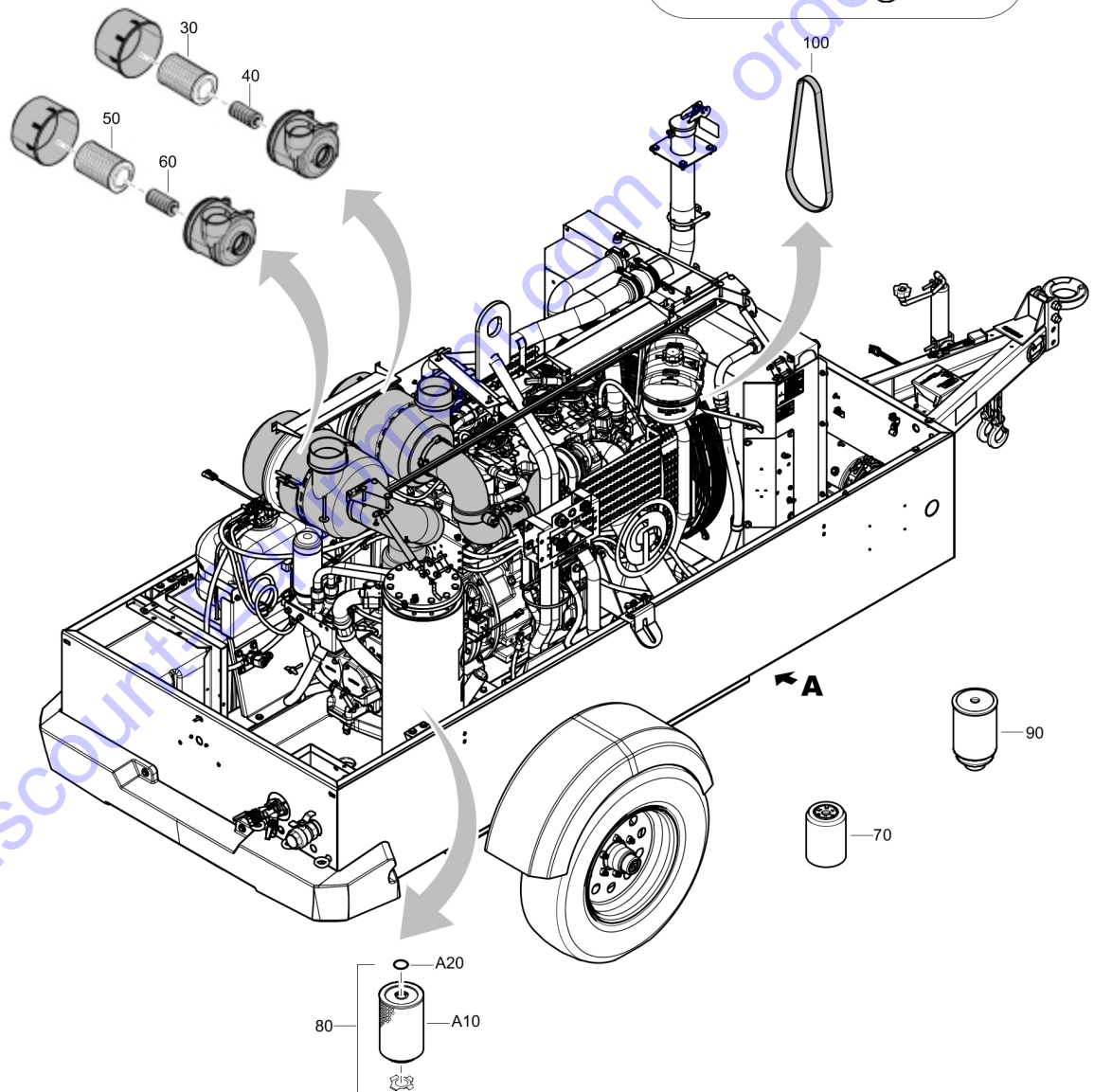
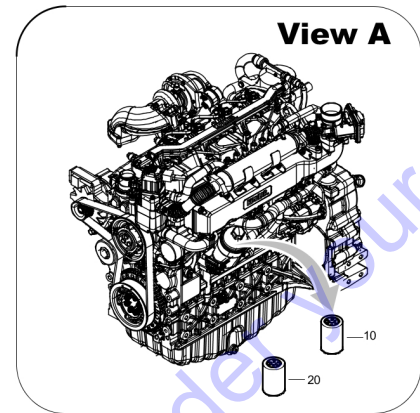
Id	Qty	Number	Name	Specifications
10	1	0504020013	BALL BEARING	
20	2	1616510800	INDICADOR NIVEL	
30	1	1616562580	LIPSEAL	
40	1	0823005009	NON RETURN VALVE	
50	1	1607852288	PRESSURE SENSOR	
60	1	1089057470	temp sensor L=50	
70	1	1622706405	THERMOSTATIC VALVE 71 DEG C	
80	1	1089951504	SOLENOID VALVE	

Go to Discount-Equipment.com to order your parts



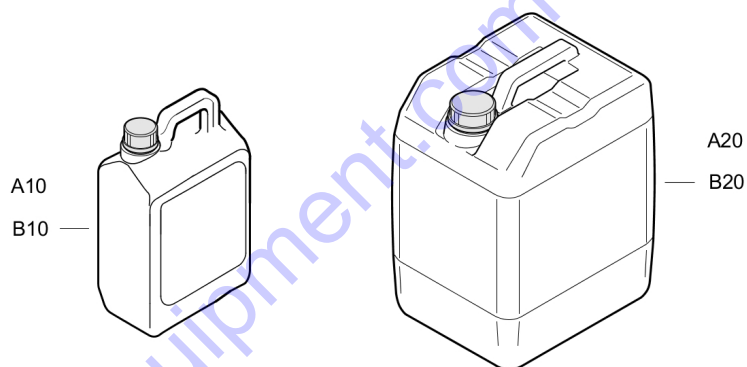
Id	Qty	Number	Name	Specifications
10	1		Oil filter element	
20	1		Fuel filter element	
30	1		Element-air filter	
40	1		Element-air filter	

Go to Discount-Equipment.com to order your parts



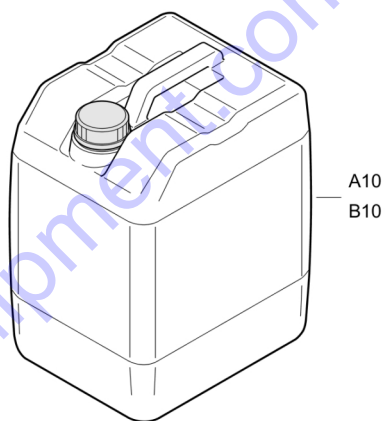
Id	Qty	Number	Name	Specifications
10	1		Oil filter element	
20	1		Fuel filter	
30	1		Element filter	
40	1		Filter air	
50	1		Element filter	
60	1		Filter air	
70	1		Oil filter	
80	1		Oil separator kit	
90	1		Def pump filter	
100	1		Poly v-belt	

Go to Discount-Equipment.com to order your parts



Id	Qty	Number	Name	Specifications
-			Genoil Performance	
-			Genoil engine plus	

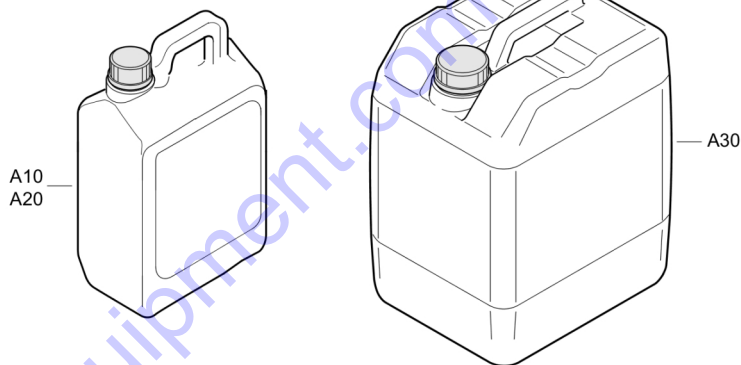
Go to Discount-Equipment.com to order your parts



Go to Discount-Equipment.com to order your parts

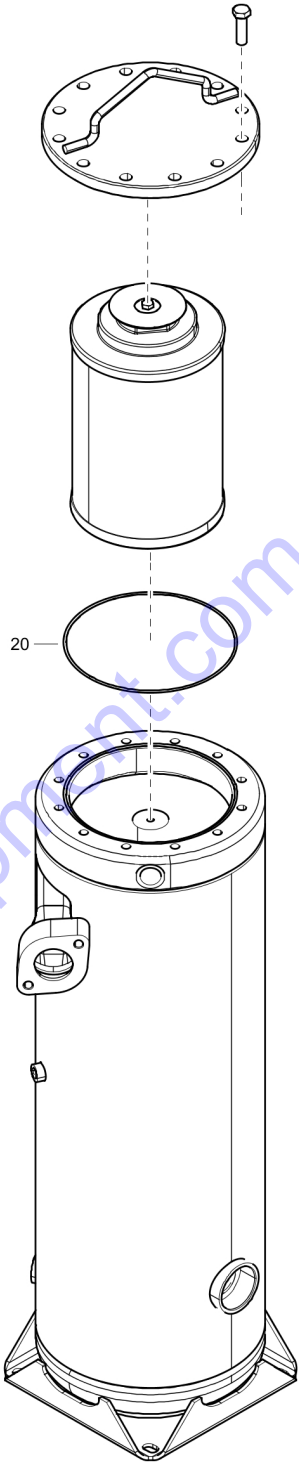
Id	Qty	Number	Name	Specifications
-			Genoil S	
-			Genoil S ultra	

Go to Discount-Equipment.com to order your parts



Id	Qty	Number	Name	Specifications
A10	1	1626225701	GENCOOL EG CONCENTRATE CAN 5L	
A20	1	1626225501	GENCOOL EG CAN 5L	
A30	1	1626225601	GENCOOL EG CAN 20L	

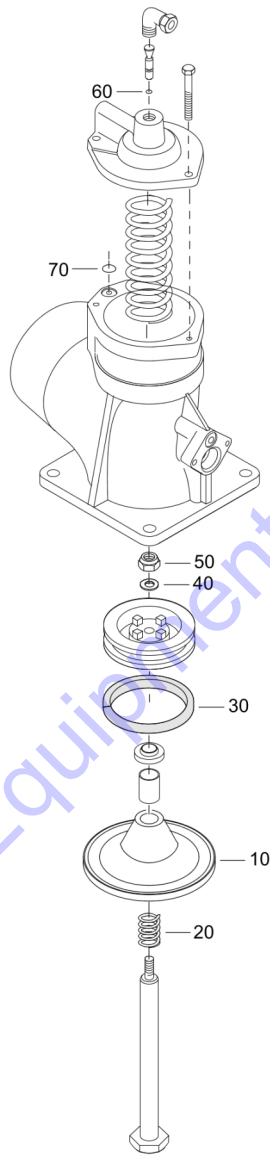
Go to Discount-Equipment.com to order your parts



Go to Discount-Equipment.com to order your parts

Id	Qty	Number	Name	Specifications
20	1	0663210949	O-RING	

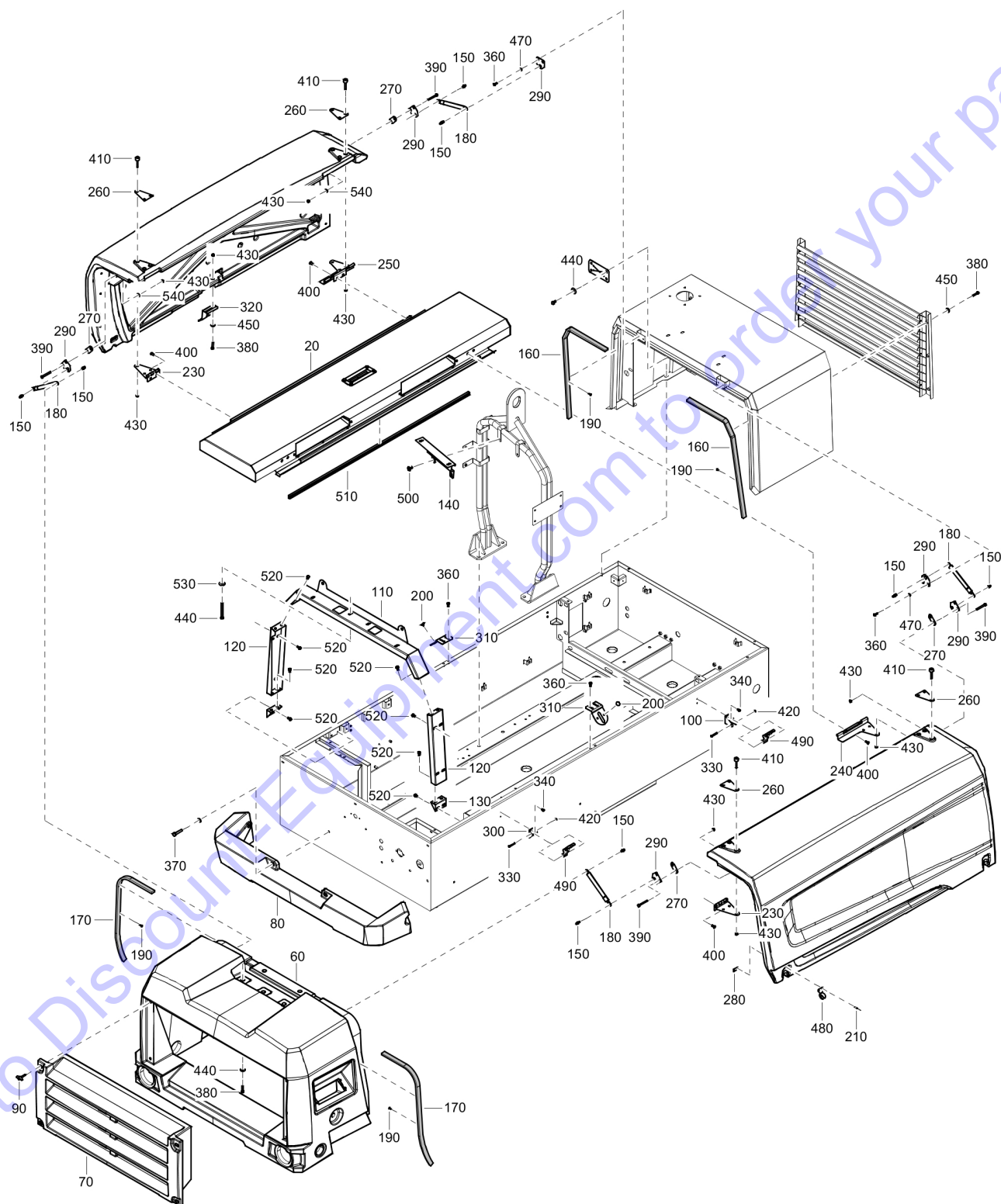
Go to Discount-Equipment.com to order your parts



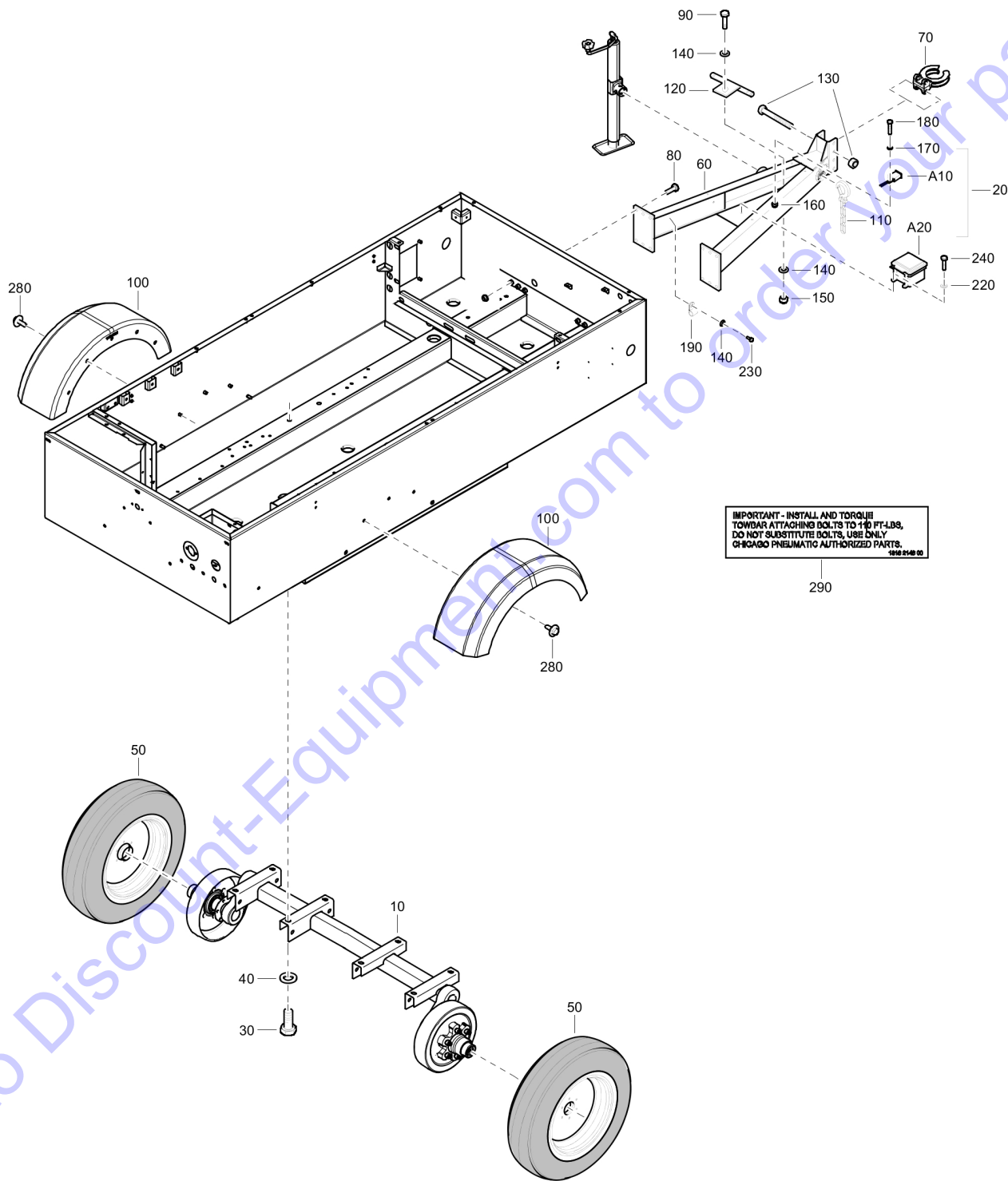
Go to Discount-Equipment.com to order your parts

Id	Qty	Number	Name	Specifications
10	1	1604030901	VALVE	
20	1	1604030801	SPRING	
30	1	1613726200	PISTON RING	
40	1	0301233500	PLAIN WASHER(A) 8.4 X 16 X 1.6	
50	1	0291111000	LOCKNUT:M8 W/NYL INS,ZN PL STL	
60	1	0663611100	O-RING	
70	1	0663711500	O-RING 8.1 X 1.6 VITON	

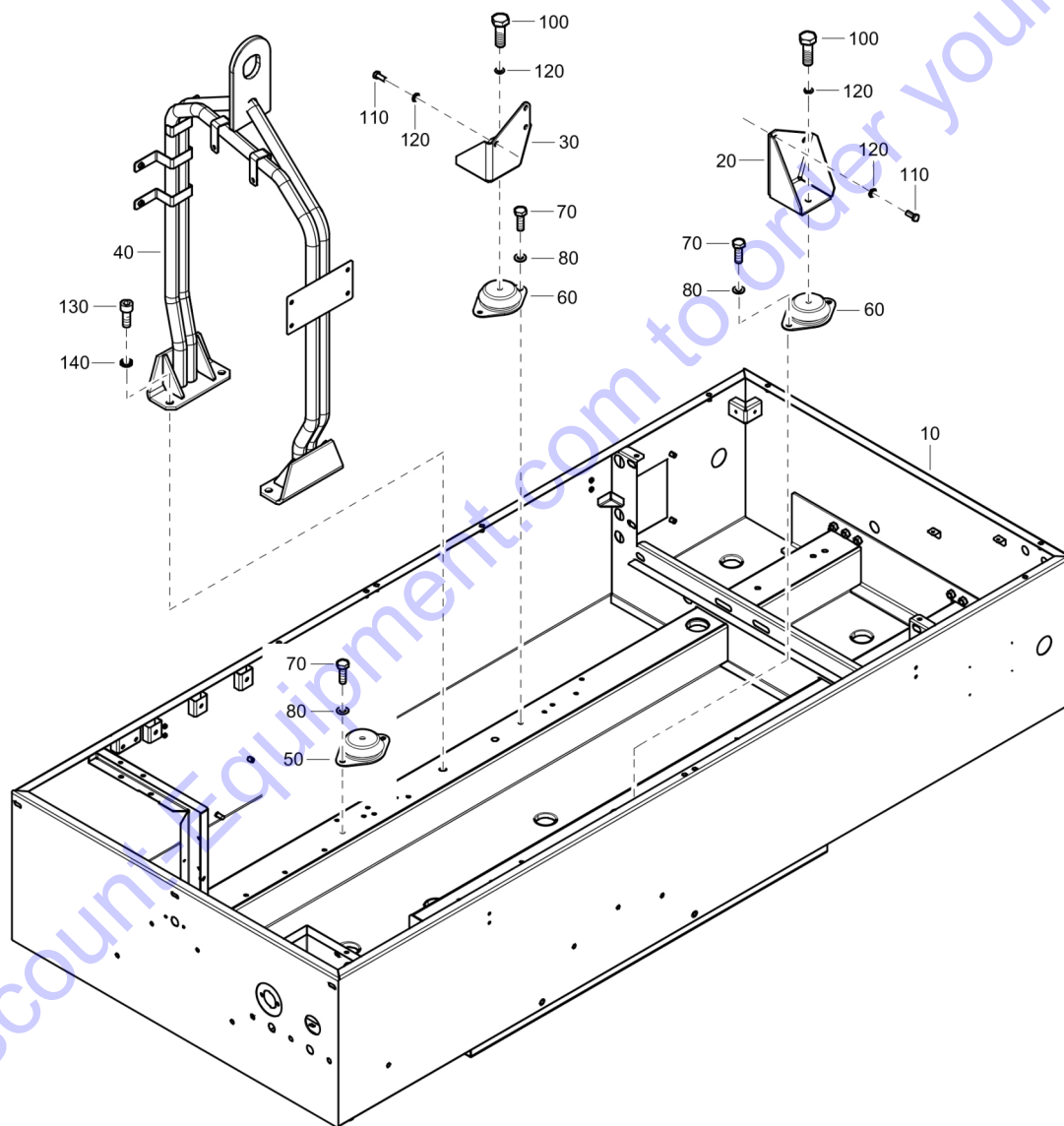
Go to Discount-Equipment.com to order your parts



Id	Qty	Number	Name	Specifications
20	1	1316176180	ROOF SPINE ASSEMBLY:BLACK	
60	1	1316176200	CANOPY:REAR PE BLACK CPS400KDI	
70	1	1316176300	LOUVER:REAR PE BLACK	
80	1	1316176400	BUMPER:REAR PE BLACK	
90	4	1316010122	WING SCREW:M8 X 35MM \$STL	
100	2	1316114610	PLATE:LATCH BASE BLACK	
110	1	1316115200	SUPPORT:BACK BODYWORK TOP	
120	2	1316115300	SUPPORT:BACK BODYWORK SIDES	
130	2	1316116000	REAR CANOPY SUPPORT BRACKET	
140	1	1316139000	SUPPORT:LIFT BAIL-ROOF XAS400	
150	8	1310032778	SUPPORT:BALL STUD,.312-18 THD	
160	2	1316020125	SEAL-DOOR:PE 400 FRONT	
170	2	1316020126	SEAL-DOOR:PE 400 REAR	
180	4	1310074176	STRUT:GAS DOOR LIFT M10 BALL	
190	30	1316020127	RIVET:PUSH-IN 0.219DX 0.75L	
200	4	1310075049	BUMPER:PUSH-IN RUBBER PE400	
210	8	1310075051	RIVET-POP:.187DX1.075L PE400	
230	2	1310118100	HINGE:REAR XAS400 PE	
240	1	1310118200	HINGE:R FRONT XAS400 PE	
250	1	1310118300	HINGE:L FRONT	
260	4	1310118400	PLATE:HINGE	
270	4	1310127900	PLATE:DOOR STRUT PE400	
280	4	1310128000	PLATE:STIRRUP BACKING	
290	6	1310128100	STUD-BALL:BRACKET PE400	
300	2	1310128410	BASE PLATE:PE DOOR BLACK	
310	2	1316257400	BRACKET:FRAME PE DOOR LOCK	
320	2	1316257410	BRACKET:PE DOOR LOCK BLACK	
330	4	0147121403	SCREW	
340	8	0147124403	HEX. HEAD SCREW M6 X 12	
360	8	0147132303	BOLT M8*20 FZB	
370	4	0147132803	HEXAGON BOLT	
380	13	0147132903	SCREW	
390	8	0147133403	HEX. BOLT M8X70X8.8	
400	8	0216132403	SCREW:M8X22,SOC HD,CS,\$STL	
410	12	0226991527	BOLT	
420	4	0291110700	NUT M5 DIN985 CL8 FZB	
430	24	0291111000	LOCKNUT:M8 W/NYL INS,ZN PL STL	
440	5	0300027621	PLAIN WASHER	
450	22	0300801900	WIDE FLAT WASHER 5/16"TX(TB)	
470	36	0301233500	PLAIN WASHER(A) 8.4 X 16 X 1.6	
480	4	1615860500	STIRRUP	
490	4	1626617100	CATCH	
500	37	1615566400	HEX. HEAD SCREW	
510	2	1619266500	SEAL-BODYWORK:ZT/ZR 45-55	
520	4	1619276600	SCREW-SELF TAP:M 8X 20 HEX HD,	
530	2	0147133803	HEXAGON BOLT	
540	8	0301232100	PLAIN WASHER(A) 6.4 X 12 X 1.6	

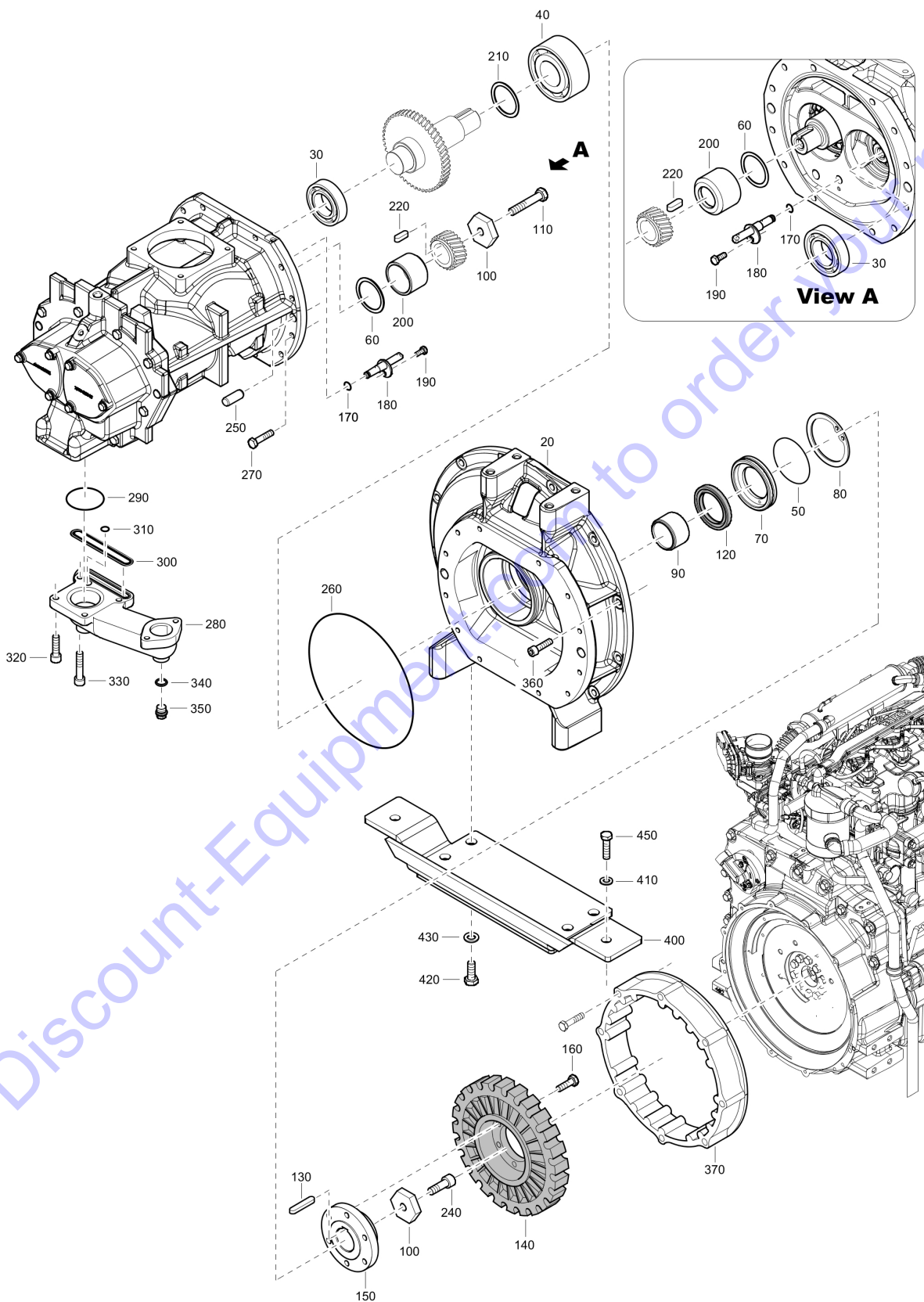


Id	Qty	Number	Name	Specifications
10	1	1310169201	AXLE ASY:EB XAS 400	
20	1	1310600218	KIT:TRAILER BREAKAWAY	
30	8	0147147603	SCREW:M16X 35;HEX HD,ZN PLT,\$S	
40	8	0301237800	PLAIN WASHER	
50	2	1310030396	WHEEL-TIRE ASY:H78-15ST SILVER	
60	1	1310825081	DRAWBAR ASSY:XAS400PE EB/NB	
70	1	1310031452	EYE-LUNETTE:3 IN GALVANIZED	
80	12	1310033194	SCREW:.500-13X2.25L HXFLHD ZPL	
90	1	0144324803	SCREW	
100	2	1316116220	FENDER:WHEEL 15+, MB BLACK	
110	2	1310033046	CHAIN/EYE ASY:XAS175JD	
120	1	1310034208	PIN-CHAIN LOCK:	
130	1	1310030011	KIT:DRAWBAR HARDWARE	
140	5	0301233500	PLAIN WASHER(A) 8.4 X 16 X 1.6	
150	1	0292130500	LOCKNUT	
160	1	0291110700	NUT M5 DIN985 CL8 FZB	
170	1	0301231800	WASHER D5*10	
180	1	0147120903	SCREW:M 5X 22;HEX HD,ZN PLT,\$S	
190	3	1310036557	CLAMP:0.5" ID XM10,P-TYPE \$RBR	
220	3	0301232100	PLAIN WASHER(A) 6.4 X 12 X 1.6	
230	3	0147132203	HEX. HEAD SCREW M8 X 16	
240	3	0147124703	PARAF M6X20 DIN933 8.8 FZB	
280	10	1615566400	HEX. HEAD SCREW	
290	1	1316214600	LABEL:TOWBAR TORQUE 110 FT-LBS	

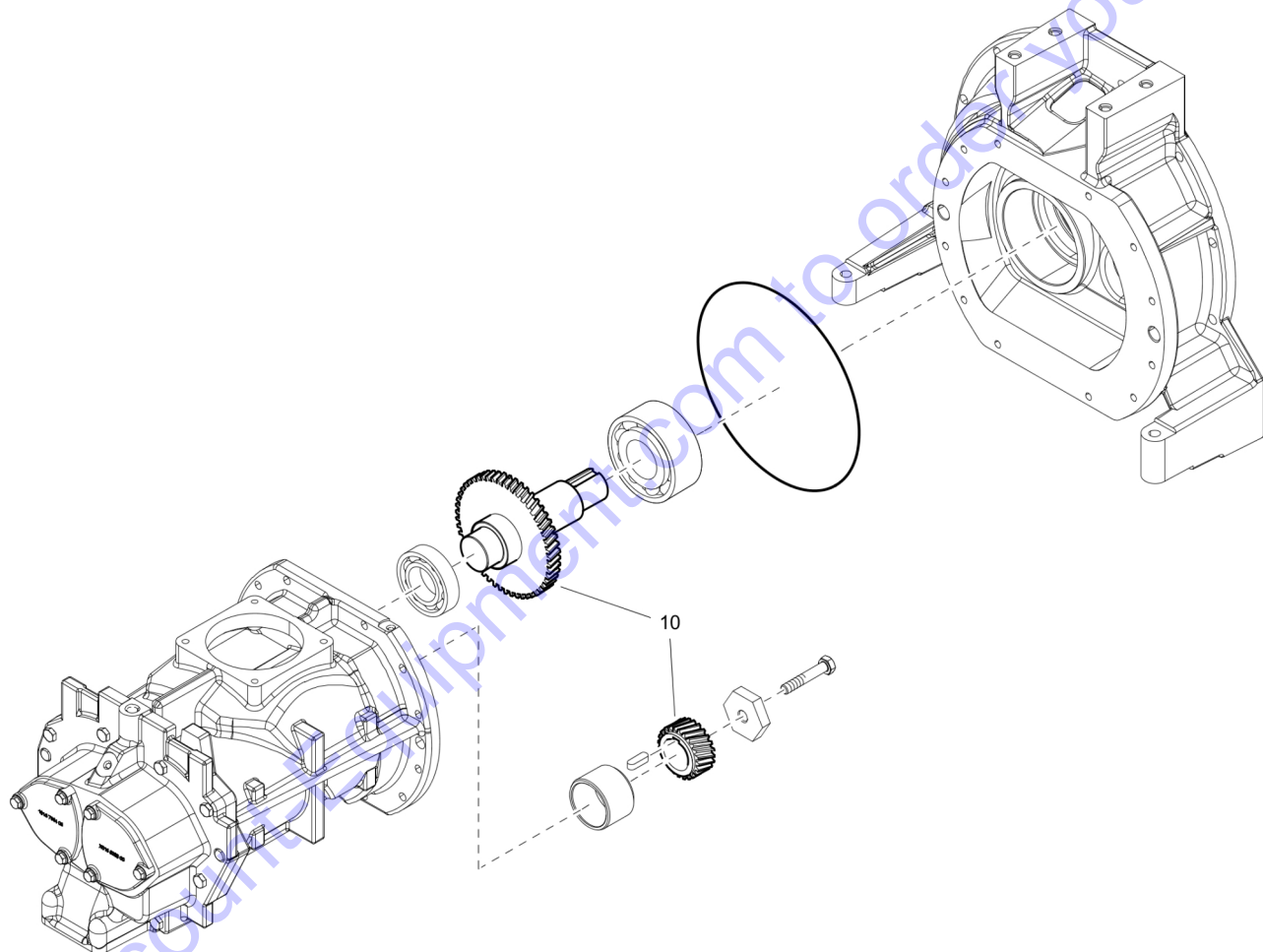


Id	Qty	Number	Name	Specifications
10	1	1316112305	FRAME	
20	1	1316169900	Foot:engine curb cps 400 kdi	
30	1	1316169911	Foot:engine street cps 400 kod	
40	1	1316139600	LIFTING BAIL:XAS400 CC10	
50	2	1310075807	ISOLATOR:RA200/M10 60SH	
60	2	1310075808	ISOLATOR:RA200/M12 40SH	
70	8	0147132503	SCREW:M 8X 25;HEX HD,ZN PLT,\$S	
80	8	0301233500	PLAIN WASHER(A) 8.4 X 16 X 1.6	
100	2	0147140003	PARAF.SEXT. M12X25 MM FZB	
110	6	0147140103	HEX. HEAD SCREW M12 X 25	
120	8	0301235800	PLAIN WASHER(A) 13 X 24 X 2.5	
130	4	0147147603	SCREW:M16X 35;HEX HD,ZN PLT,\$S	
140	4	3315019510	LOCK WASHER	

Go to Discount-Equipment.com to order your parts

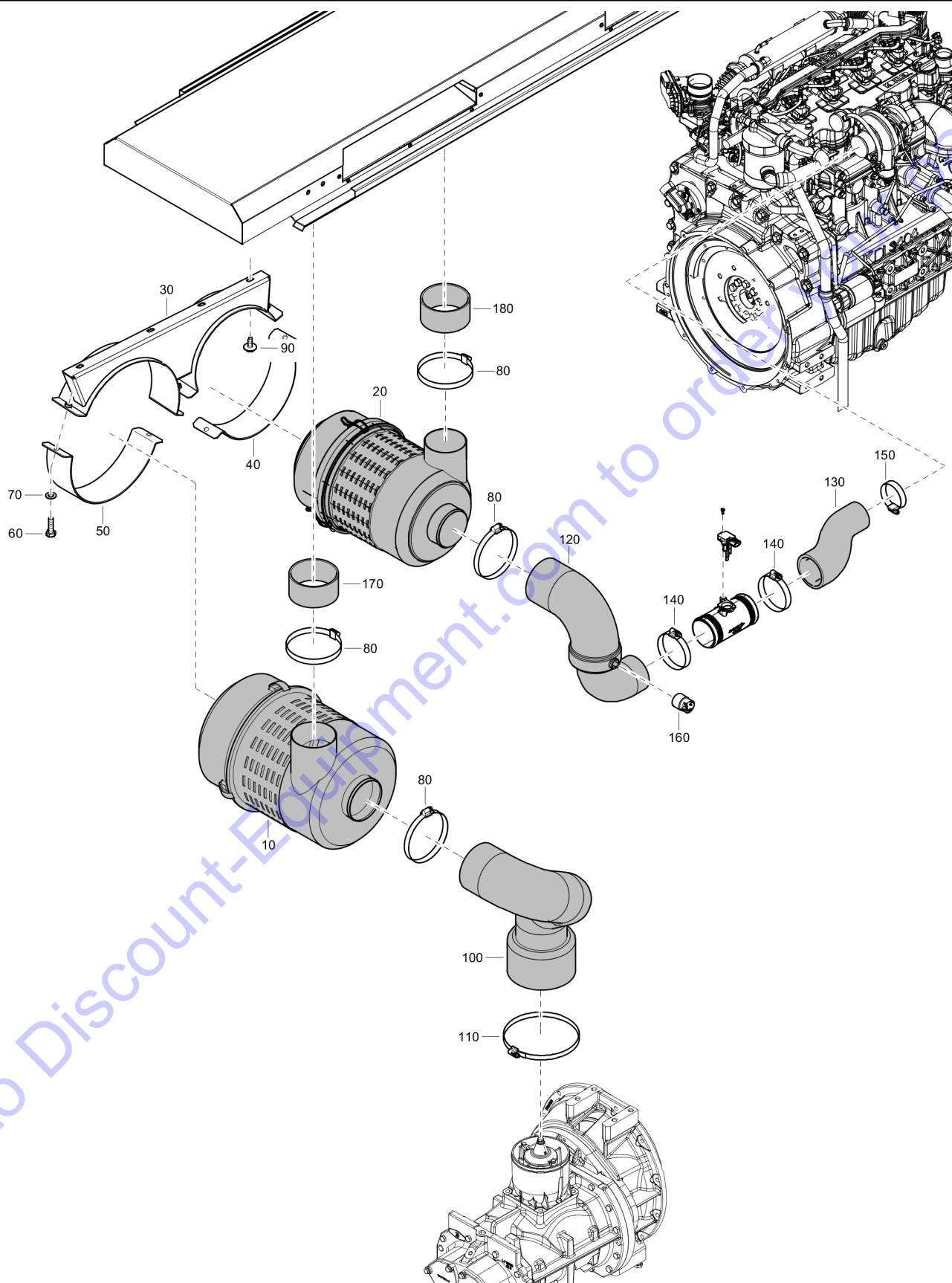


Id	Qty	Number	Name	Specifications
20	1	1604029101	CAIXA DE ENGRENAGENS	
30	1	0502109021	BALL BEARING	
40	1	0504020013	BALL BEARING	
50	1	0663210616	O-RING ID94.5*3	
60	1	1638180500	SPACER -	
70	1	1604029200	RETAINER	
80	1	0335216900	CIRCLIPS 100	
90	1	1626230700	BUCHA	
100	2	1316183800	WASHER:HEX SPACER BEVELED	
110	1	0211140800	HEX. SOCK M12X65X12.9	
120	1	1616562500	LIP SEAL	
130	1	0337719800	PARALLEL KEY(A) 45 X 12 X 8	
140	1	1615682500	COUPLING	
150	1	1316183401	COUPLING HUB:M39.8IDXM95	
160	6	0147111057	SCREW:M10X30;HXHD,ZN PLT,12.9	
170	1	0663210784	ANEL O 7,3X2,4	
180	1	1622870400	OIL NOZZLE:	
190	1	3161038800	SCREW	
200	1	1604027201	BUSHING: ELEMENT	
210	1	1626228701	SPACER -	
220	1	0337715200	PARALLEL KEY	
240	1	0211196482	HEX SOCK. SCREW	
250	2	0101195140	PARALLEL PIN	
260	1	0663210322	O-RING	
270	12	0147136503	HEXAGON BOLT	
280	1	1604694505	MANIFOLD	
290	1	0663713800	O-RING 69.5 X 3	
300	1	0663714100	O-RING	
310	1	0663311700	O-RING 10.3 X 2.4	
320	1	0211196417	SCREW	
330	3	0211196407	HEX SOCK. SCREW	
340	1	0653111500	GASKET 18X24X15	
350	1	0686423018	HEXAGON PLUG	
360	12	0211585513	SCREW	
370	1	1310462900	COUPLING RING:XAS	
400	1	1316170001	COMPRESSOR SUPPORT	
410	2	0301234400	Toothed washer	
420	4	0147140303	HEX. HEAD SCREW M12 X 40	
430	4	0301235800	PLAIN WASHER(A) 13 X 24 X 2.5	
450	2	0147136403	HEX. BOLT M10X35X8.8	

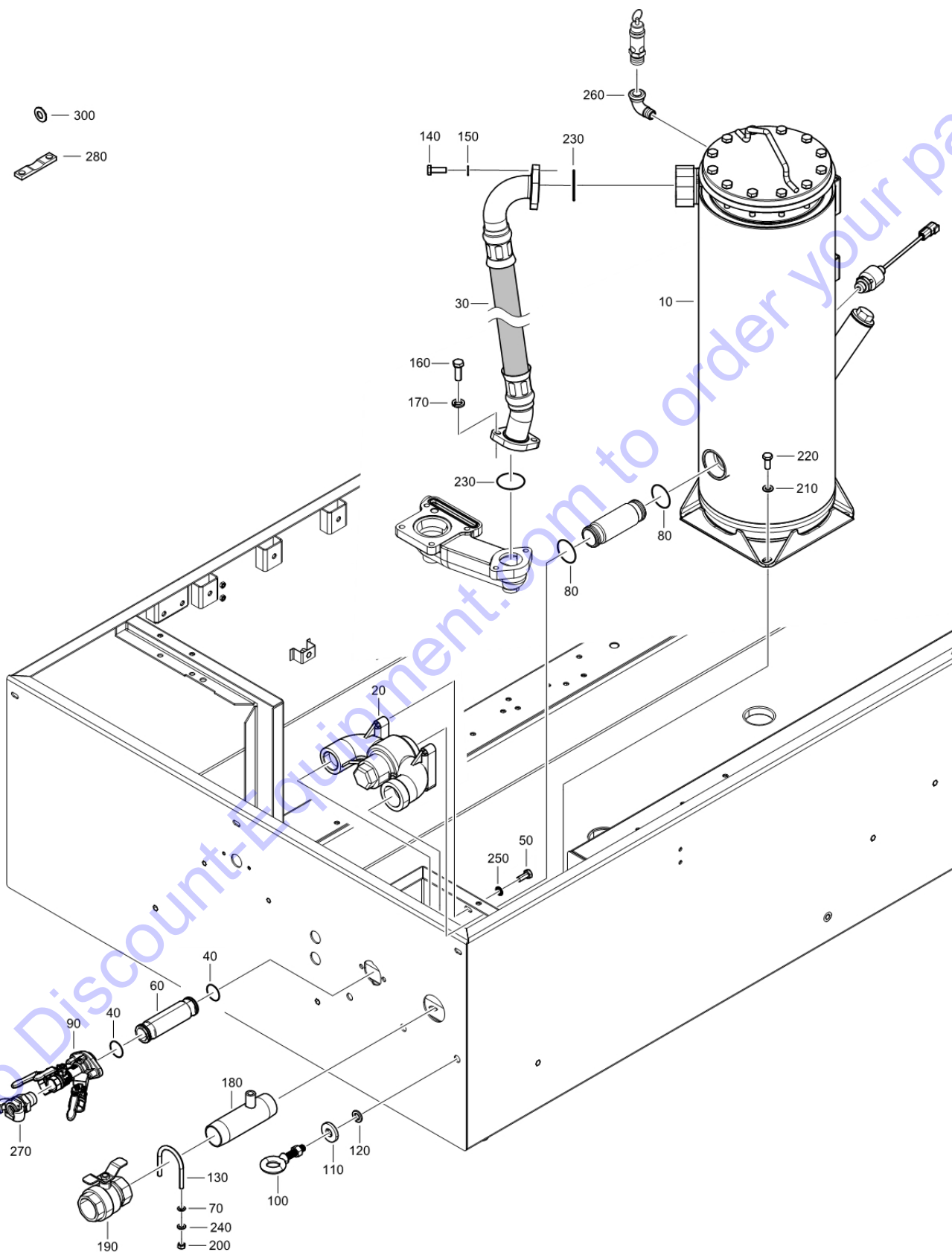


Id	Qty	Number	Name	Specifications
10	1	1626566191	Gear set	

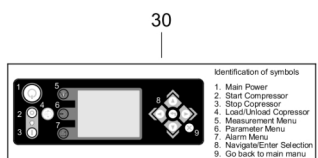
Go to Discount-Equipment.com to order your parts



Id	Qty	Number	Name	Specifications
10	1	2205176611	AIR FILTER	
20	1	1310166700	FILTER-AIR:XAS 400 JD MBRAND	
30	1	1316149500	SUPPORT:AIR FILTERS XAS440 CD	
40	1	1310669900	CLAMP:FILTER SMALL XAS400	
50	1	1310669800	CLAMP:FILTER LARGE XAS400	
60	4	0147132603	SCREW:M 8X 30;HEX HD,ZN PLT,\$S	
70	4	0301233500	PLAIN WASHER(A) 8.4 X 16 X 1.6	
80	4	0347611900	HOSE CLAMP	
90	4	1615566400	HEX. HEAD SCREW	
100	1	1316173700	TUBE:ELEMENT INLET FORMED KDI	
110	1	0347612100	HOSE CLIP	
120	1	1316173800	TUBE:FILTER TO MAF FORMED KDI	
130	1	1316174100	HOSE:TURBO AIR INLET CPS400KDI	
140	2	0347610021	HOSE CLAMP	
150	1	0347610019	HOSE CLAMP	
160	1	1310072437	INDICATOR:RESTRICTION 6.0 KPA	
170	1	1615943800	HOSE	
180	1	1316225300	SLEEVE: 4.00" ID X 60MM LONG	

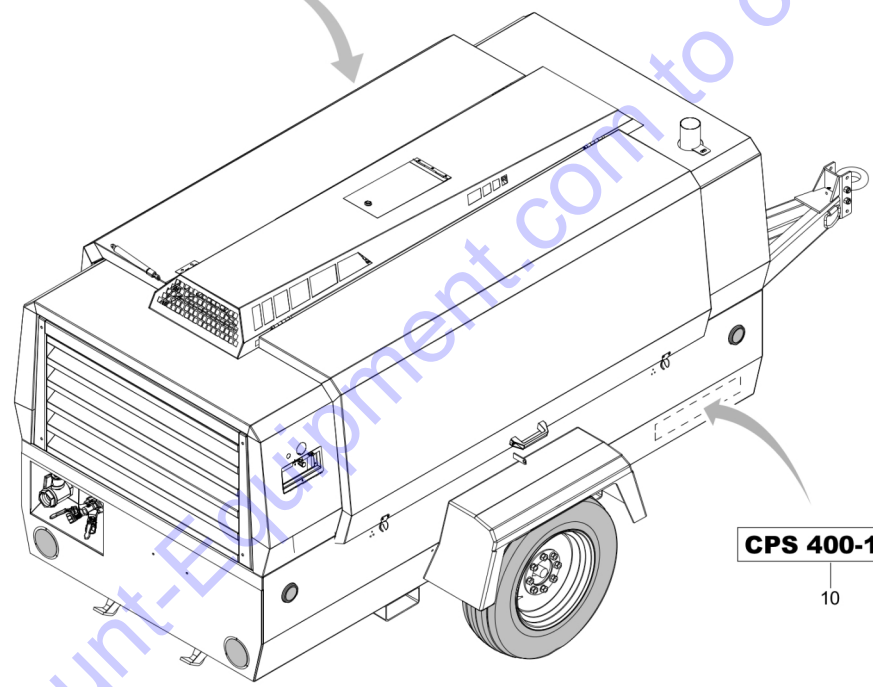
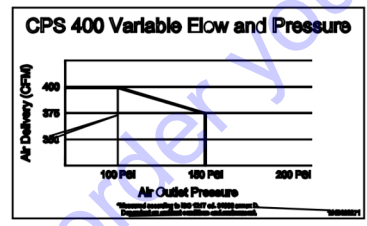


Id	Qty	Number	Name	Specifications
10	1	1316294490	VESSEL ASY:AIR/OIL UB	
20	1	1604040681	VALVE ASSEMBLY	
30	1	1316276200	HOSE ASSY: AIR OUTLET	
40	2	0663312900	O-RING	
50	6	0147132303	BOLT M8*20 FZB	
60	1	1316113800	PIPE:FLOATING DISCH 400/440 JD	
70	8	0333222500	SPRING WASHER M8	
80	2	0663713400	O-RING	
90	1	1626857391	TRIPLE BALL VALVE	
100	3	1310697050	EYEBOLT-NUT&SHLDR:1+IDX2+NECK	
110	3	0300027623	PLAIN WASHER	
120	3	0333217422	WASHER-LOCK:M14,SPLIT,\$STL,ZN	
130	1	1310032580	CLAMP-EXHAUST PIP:1.75+	
140	2	0147136303	BOLT M10*30 FZB	
150	2	0333223000	SPRING WASHER M10	
160	2	0147140203	HEX. HEAD SCREW	
170	2	0333223600	LKWASH M12 STL	
180	1	1316113701	PIPE:AIR OUTLET W/BOSS	
190	1	1310074881	BALL VALVE:1 1/2" NPT 400JD	
200	2	0268320500	NUT	
210	4	0301234400	Toothed washer	
220	4	0147136203	HEX. SOCK. SCREW	
230	2	0663713500	O-RING	
240	2	0301233500	PLAIN WASHER(A) 8.4 X 16 X 1.6	
250	4	0300801900	WIDE FLAT WASHER 5/16"TX(TB)	
260	1	1310076118	ELBOW:3/4+ STREET 90 GALV	
270	3	1638184300	COUPLING	
280	1	1316250400	SPACER:AIR OUTLET	
300	1	1088001902	CONTACT WASHER	



10

CPS 400-150



CPS 400-150

10

Go to Discount-Equipment.com to order your parts

Id	Qty	Number	Name	Specifications
10	2	1316204501	LABEL:CPS 400-150 KOD	
20	1	1317005075	LABEL: RSPL LABEL	
30	1	1310600337	LABEL:CONTROLLER, XC2003 BLACK	
60	1	1316020271	LABEL:CFM CHART CPS 400-150	

Go to Discount-Equipment.com to order your parts

Indication	Description	Operator Action
	Oil level indicator	Check oil level. If low, add oil. Do not overfill. Refer to the operator's manual for the correct oil level.
	Coolant level indicator	Check coolant level. If low, add coolant. Do not overfill. Refer to the operator's manual for the correct coolant level.
	Air pressure indicator	Check air pressure. If low, add air. Do not overfill. Refer to the operator's manual for the correct air pressure.

90

Operating Instructions

To Start:

1. Check fuel, coolant, engine oil and compressor oil
2. Turn power switch ON
3. Push start button
4. Push load button when engine has warmed up. (display will read "Ready to Load")
5. Open service valves

To Shut Down

1. Close service valves
2. Press load button to unload unit
3. Press stop button
4. Turn OFF Power switch

70

Priming Pump with Water Separator

160

CAUTION

Do not mix oil brands. Follow Atlas Copco operating instructions for proper maintenance, lubricant grades and change intervals. Use only selected lubricant specified by Atlas Copco. Failure to comply will void warranty and may result in equipment damage.

20

140

CAUTION

Coolant must meet ASTM D6810 specifications. Incorrect coolant will result in engine and radiator damage. Refer to instruction manual.

CAUTION

Keep clear. Hot exhaust may burn. Failure to comply may result in moderate or minor injury.

CAUTION

TAMPERING WITH SAFETY RELIEF VALVES MAY CAUSE HAZARDOUS FAILURE OF PRESSURE VESSELS

CAUTION

Do not use oil hoses. Failure to follow proper operating instructions for proper maintenance, lubricant grades and change intervals. Use only selected lubricants specified by Atlas Copco. Failure to comply will void warranty and may result in equipment damage.

WARNING

Failure to follow the correct procedure for battery connection may result in fire or explosion. Disconnect the battery before servicing. 1. Never remove the battery posts. 2. Never disconnect the battery while the engine is running. When working with a battery, always wear eye protection and use the correct disconnecting tool specified by the battery manufacturer. 3. Never use the battery for any other purpose. 4. Disconnect the battery and register the disconnecting date on the battery.

10

DANGER

SEVERE HAZARD! Machine can start unexpectedly. Disconnect battery prior to servicing. Failure to comply could result in death or serious injury.

110

CAUTION

Do not leave doors open while engine is running.

100

50

WARNING

Breathing diesel engine exhaust exposes you to chemicals known to the State of California to cause cancer and birth defects or other reproductive harm

- Always start and operate the engine in a well-ventilated area.
- If in an enclosed area, vent the exhaust to the outside.
- Do not modify or tamper with the exhaust system.
- Do not idle the engine except as necessary.

For more information go to www.P66warnings.ca.gov/diesel.

120

CAUTION

DO NOT DISCONNECT BATTERY CABLES WHEN LIGHT IS ILLUMINATED. EMISSIONS SYSTEM PURGE IN PROCESS. SEVERE DAMAGE TO EMISSIONS SYSTEM MAY OCCUR!

80

WARNING

SEVERE HAZARD! Machine can start unexpectedly. Disconnect battery prior to servicing. Failure to comply could result in death or serious injury.

130

150

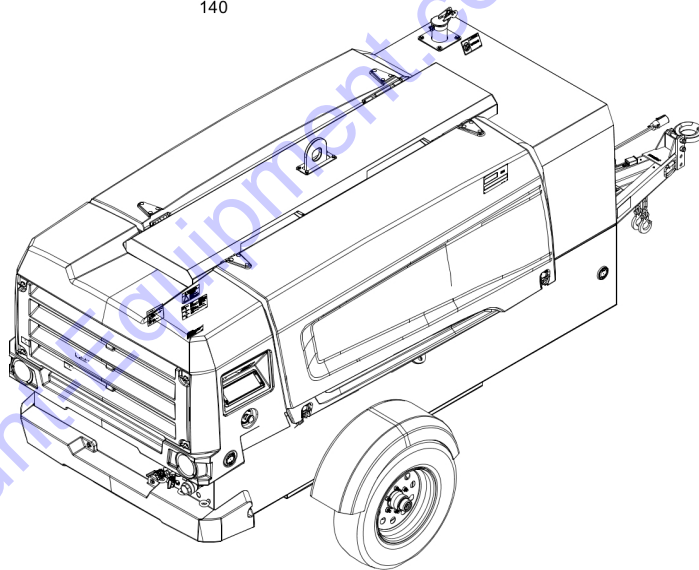
DEF ONLY

DEF ONLY

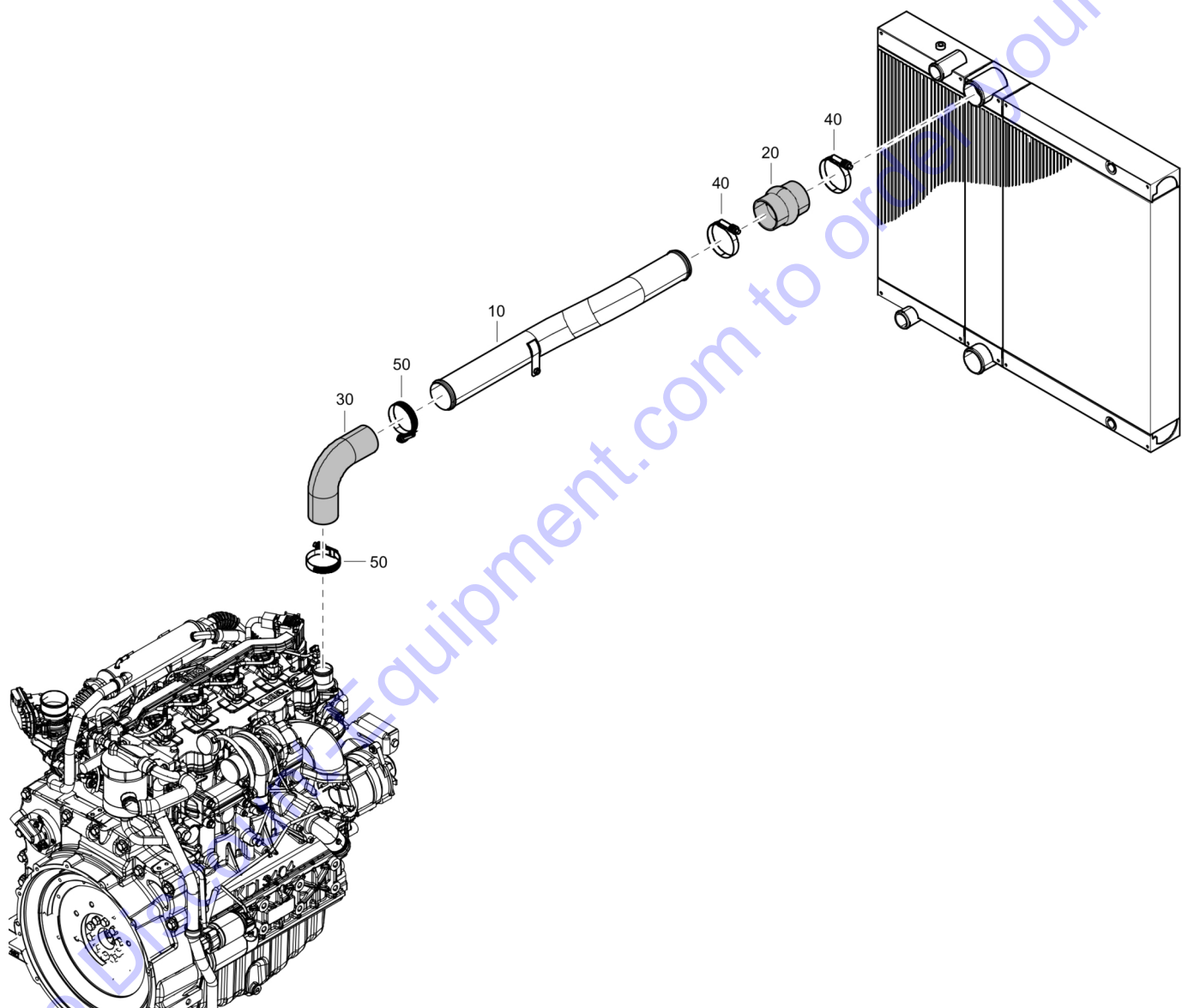
DEF ONLY

60

40

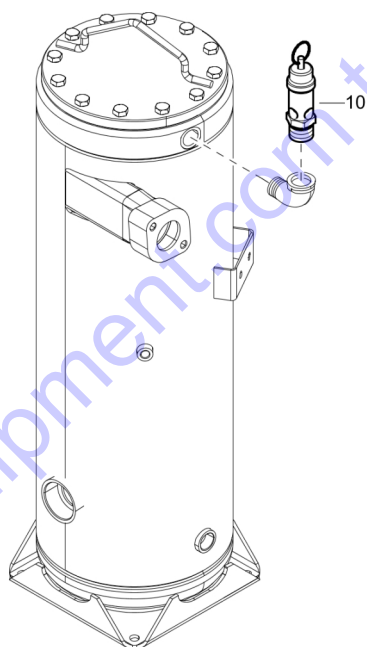


Id	Qty	Number	Name	Specifications
10	1	1316269300	LABEL SHEET	
20	1	1316020208	LABEL:OIL TYPE CPS	
40	4	0129310300	BLIND RIVET 2.4 * 5	
50	1	1079990361	LABEL	
60	1	1310070141	LABEL:SHEET DEF WARNINGS	
70	1	1310600338	LABEL:OPERATING INSTRUCTION T4	
80	1	1310070102	LABEL:BATTERY DISCONNECT WARN	
90	1	1316020149	LABEL: AFTERTREATMENT SYMBOLS	
100	2	1310070800	DECAL LABEL: DO NOT LEAVE	
110	1	1310075322	LABEL:HIGH PRESSURE HOSE WARN	
120	1	1310600541	LABEL:CALIFORNIA PROP 65, SMTH	
130	1	1310035372	LABEL:WARNING-UNIT CAN START	
140	1	1316020214	LABEL:GENOIL	
150	1	1316020796	DECAL: HOT SURFACE	
160	1	1310600436	LABEL:FUEL FILTER & SEPARATOR	



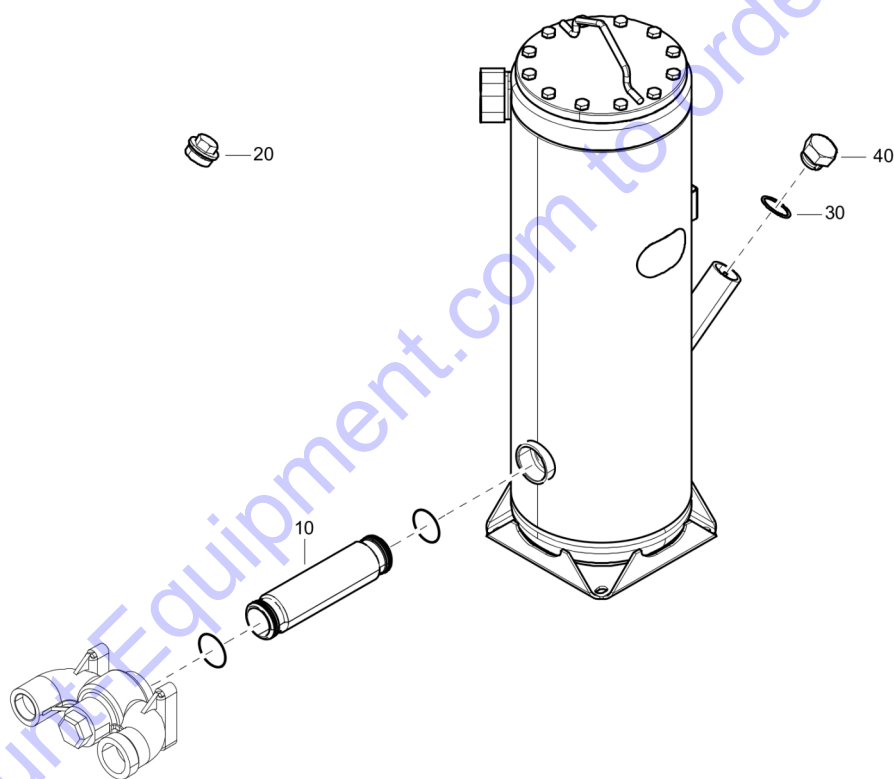
Id	Qty	Number	Name	Specifications
10	1	1316175002	Pipe:cac to engine	
20	1	1310072311	CONNECTOR:CAC 3.00 HUMP	
30	1	1310075382	ELBOW:CAC 2.5 ID	
40	2	1310075626	CLAMP-HOSE:M71/95D CONST-TORQ	
50	2	1310075624	CLAMP-HOSE:M59/83D CONST-TORQ	

Go to Discount-Equipment.com to order your parts



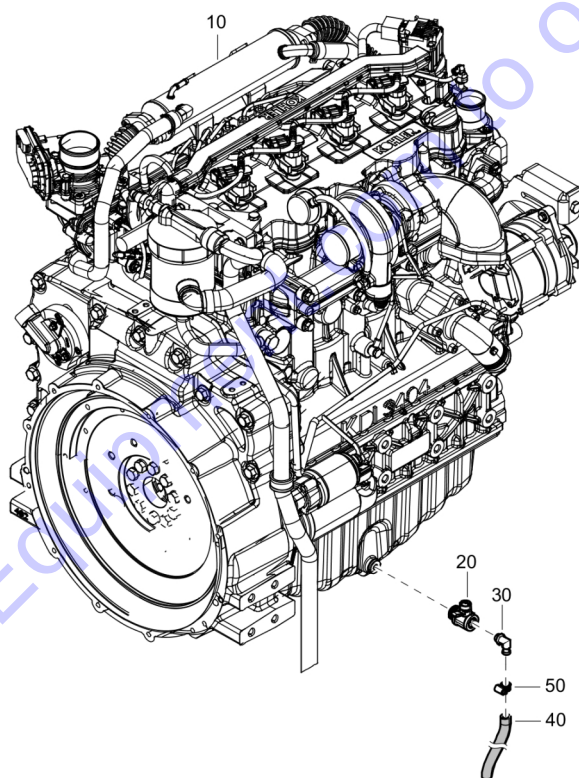
Id	Qty	Number	Name	Specifications
10	1	1310075029	VALVE-SAFETY	

Go to Discount-Equipment.com to order your parts



Id	Qty	Number	Name	Specifications
10	1	1638795000	PIPE	
20	1	1316010232	PLUG:1-3/8" HOLE	
30	1	0653116500	FLAT GASKET	
40	1	1615508000	PLUG	

Go to Discount-Equipment.com to order your parts



Id	Qty	Number	Name	Specifications
10	1	1316012500	ENGINE:CPS 400 KOHLER	
20	1	1316020112	VALVE:OIL DRAIN M18	
30	1	1316020114	BARB-ELBOW:EZ DRAIN 3/8"	
40	1	0075402569	HOSE:3/8" PUSH-LOK	
50	1	1310032384	CLAMP-HOSE: .25- .62,SIZE 4	

Go to Discount-Equipment.com to order your parts

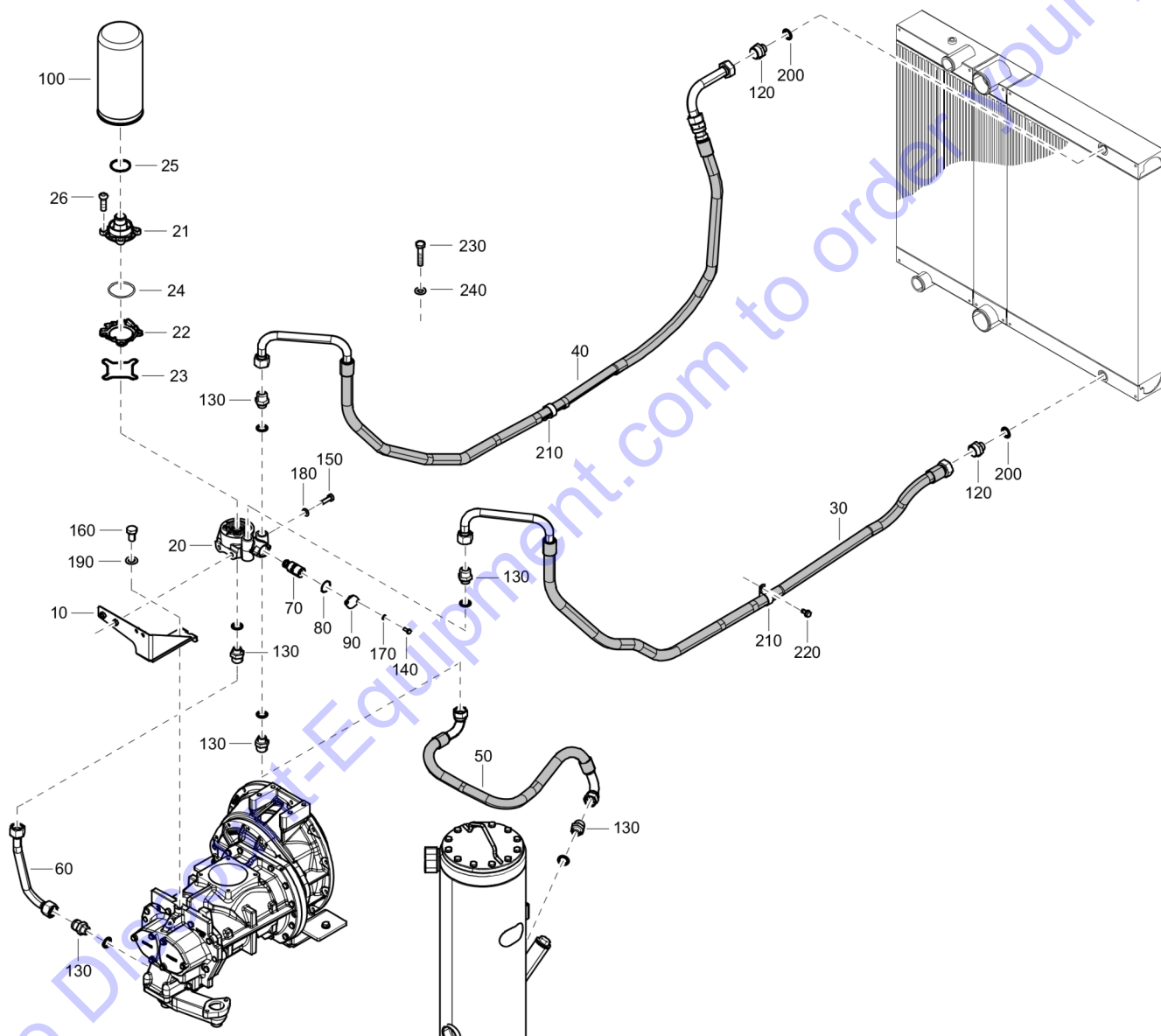
Not Illustrated			
Ref	Part Number	Designation	Qty
10	1317 0007 56	Engine:spare parts	1

Go to Discount-Equipment.com to order your parts

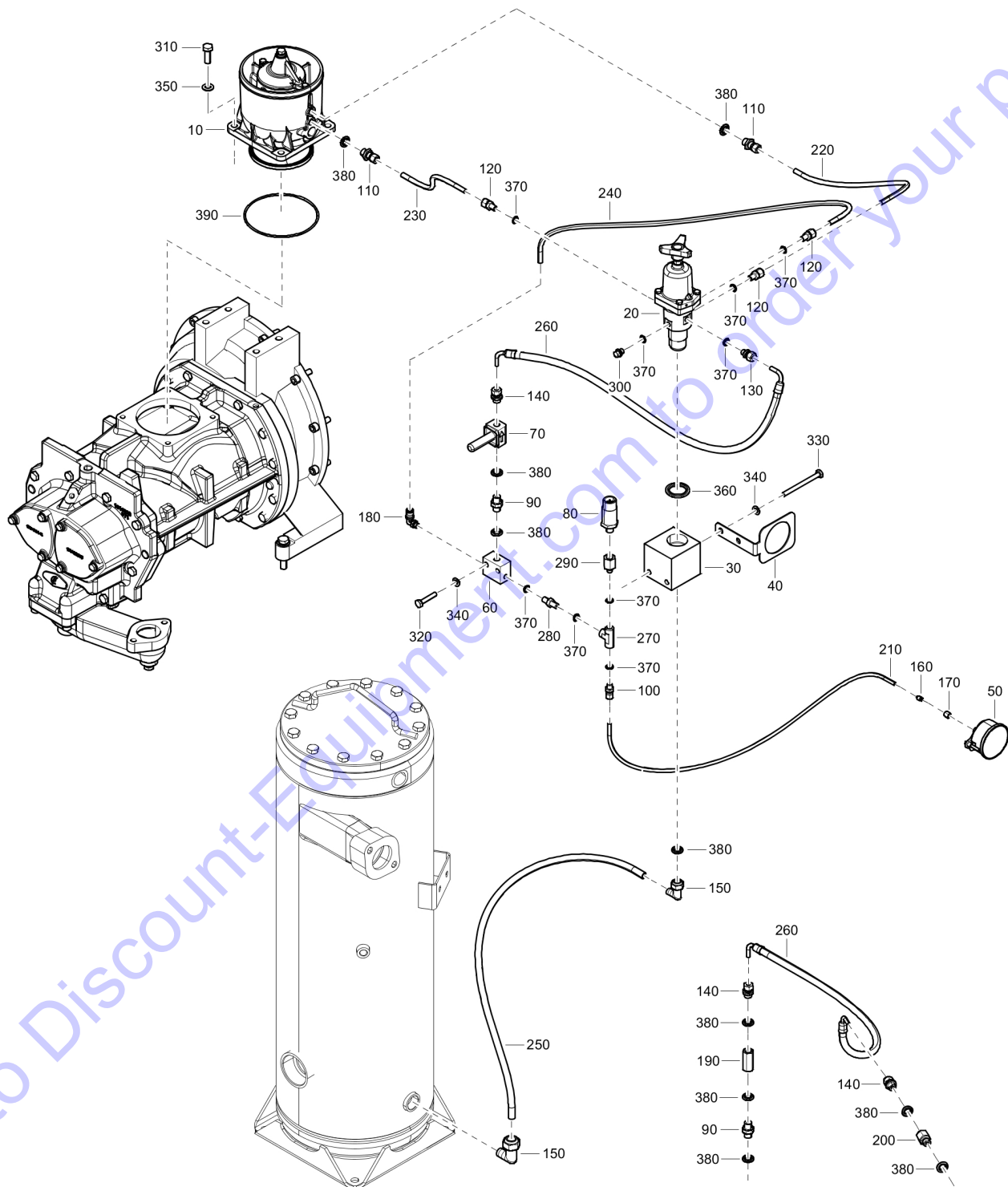
Id	Qty	Number	Name	Specifications
10	1	1317000756	Engine:spare parts	

Go to Discount-Equipment.com to order your parts

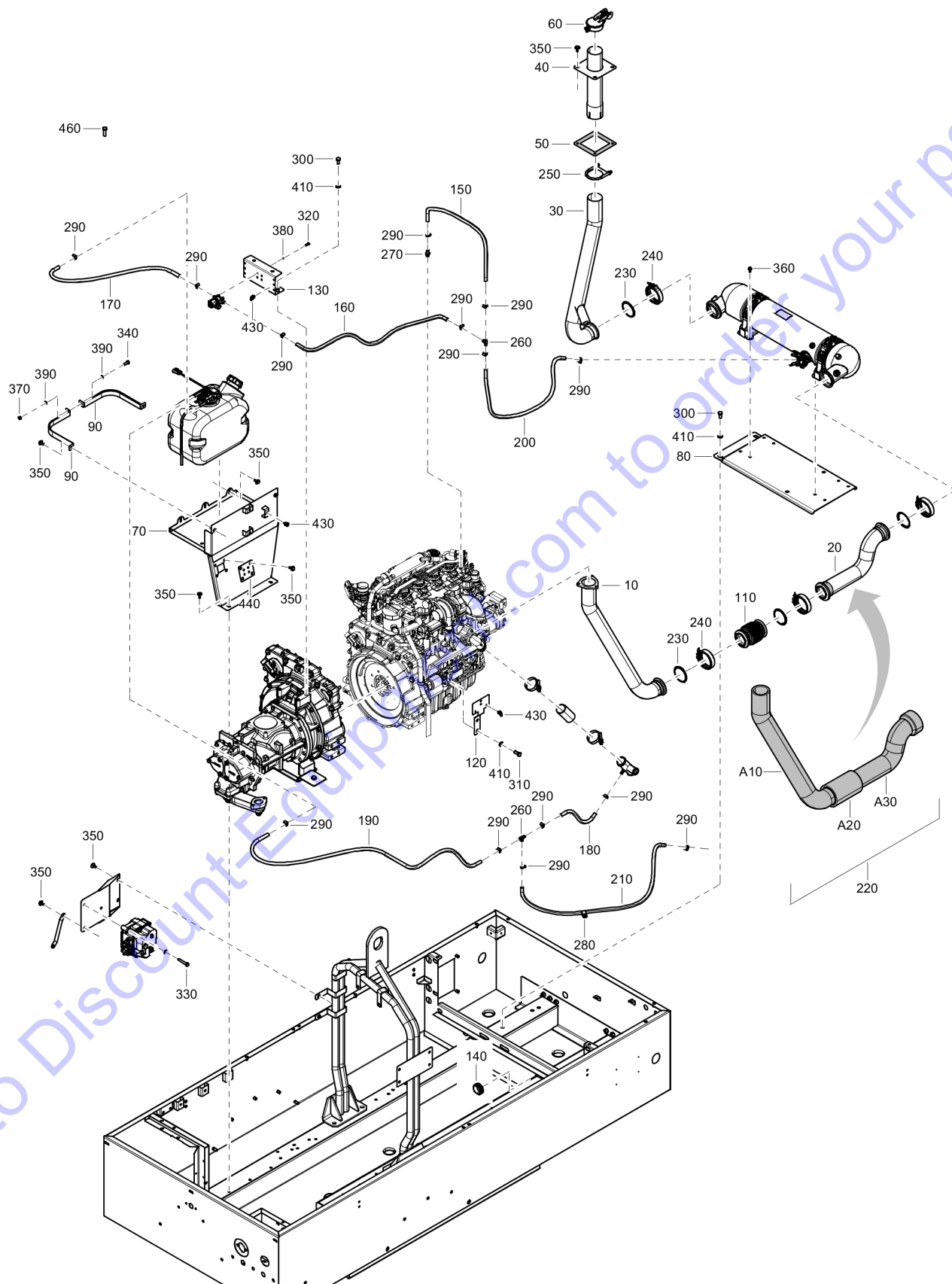
Id	Qty	Number	Name	Specifications
10	1	1310190185	FUEL TANK ASY:LESS SECOND PORT	
20	2	1310689511	STRAP:F FUEL TANK 400 JD T4F	
30	2	1310689711	STRAP:F/R FUEL TANK 400 JD T4F	
40	1	1310924378	FUELCAP:KELCH 3.5" (BLACK)	
50	1	1310074645	FUEL LEVEL S	
60		1310036364	HOSE: .38ID	
70		1310031197	HOSE:.25IDX.09W,RUBBER,POLYMER	
80	1	1310036364	HOSE: .38ID	
90	2	1310070617	GROMMET:FUEL RETURN	
100	1	1310175631	GROMMET:SUPPLY XAS 750 FUEL	
110	1	1316010127	ELBOW:SUPPLY W/TUBE .38+	
120	1	1316010130	ELBOW:.25TUBE FUEL RETURN	
130	1	1310175637	PLUG:STEEL FOR PLASTIC TANK	
140	2	0147132803	HEXAGON BOLT	
150	4	0301233500	PLAIN WASHER(A) 8.4 X 16 X 1.6	
160	2	0291111000	LOCKNUT:M8 W/NYL INS,ZN PL STL	
170	4	1619276600	SCREW-SELF TAP:M 8X 20 HEX HD,	
180	5	5530768100	SCREW	
190	4	0347610400	HOSE CLAMP	
200	2	1310032384	CLAMP-HOSE: .25- .62,SIZE 4	
210	2	0348010212	CABLE TIE: WITH FIR TREE MOUNT	
220	1	1316177400	BRACKET:FUEL FILTER CPS400 KDI	
230	2	0147132603	SCREW:M 8X 30;HEX HD,ZN PLT,\$S	
240	2	0300027666	WASHER:M8.40/16.0X1.5T BLACK	
250	2	0147139803	HEX. HEAD SCREW	
260	2	0301234400	Toothed washer	



Id	Qty	Number	Name	Specifications
10	1	1316176600	SUPPORT:OIL FILTER	
20	1	1638648900	HOSUING	
21	1	1630147500	BAYONET ADAPTER	
22	1	1630147502	ADAPTER GEARBOX	
23	1	1630147503	SPRING COMPRESSION	
24	1	0663713400	O-RING	
25	1	0663712700	O-RING	
26	4	0215000373	HEX.SOCKET SCREW	
30	1	1310198902	OIL HOSE: LOWER COOLER	
40	1	1316138800	HOSE:OIL FLT-CLR TOP XAS400/44	
50	1	1310822011	OIL LINE:TBV TO VESS XAS400CD8	
60	1	1316176700	PIPE:OIL FLT-ELEMENT CPS400KDI	
70	1	1622706405	THERMOSTATIC VALVE 71 DEG C	
80	1	0663713200	O-RING 35.1X1.6	
90	1	1614611800	FLANGE THERMOSTAT	
100	1	1316285290	FILTER:OIL-QUICK FIT PACKAGED	
120	2	2253806300	NIPPLE	
130	6	3176651900	NIPPLE:G 3/4+MALE X 1+JIC MALE	
140	2	0147124603	HEX. HEAD SCREW M6 X 16	
150	2	0147136303	BOLT M10*30 FZB	
160	1	0147147403	HEX. BOLT M16X25X8.8	
170	2	0301232100	PLAIN WASHER(A) 6.4 X 12 X 1.6	
180	2	0301234400	Toothed washer	
190	1	0301237800	PLAIN WASHER	
200	2	0661100029	WASHER-SEAL:M 27.1IDX34.9OD	
210	8	1310251175	CLAMP-HOSE: 1.50 NOMINAL DIA	
220	3	1619276600	SCREW-SELF TAP:M 8X 20 HEX HD,	
230	3	0147132503	SCREW:M 8X 25;HEX HD,ZN PLT,\$S	
240	3	0301233500	PLAIN WASHER(A) 8.4 X 16 X 1.6	

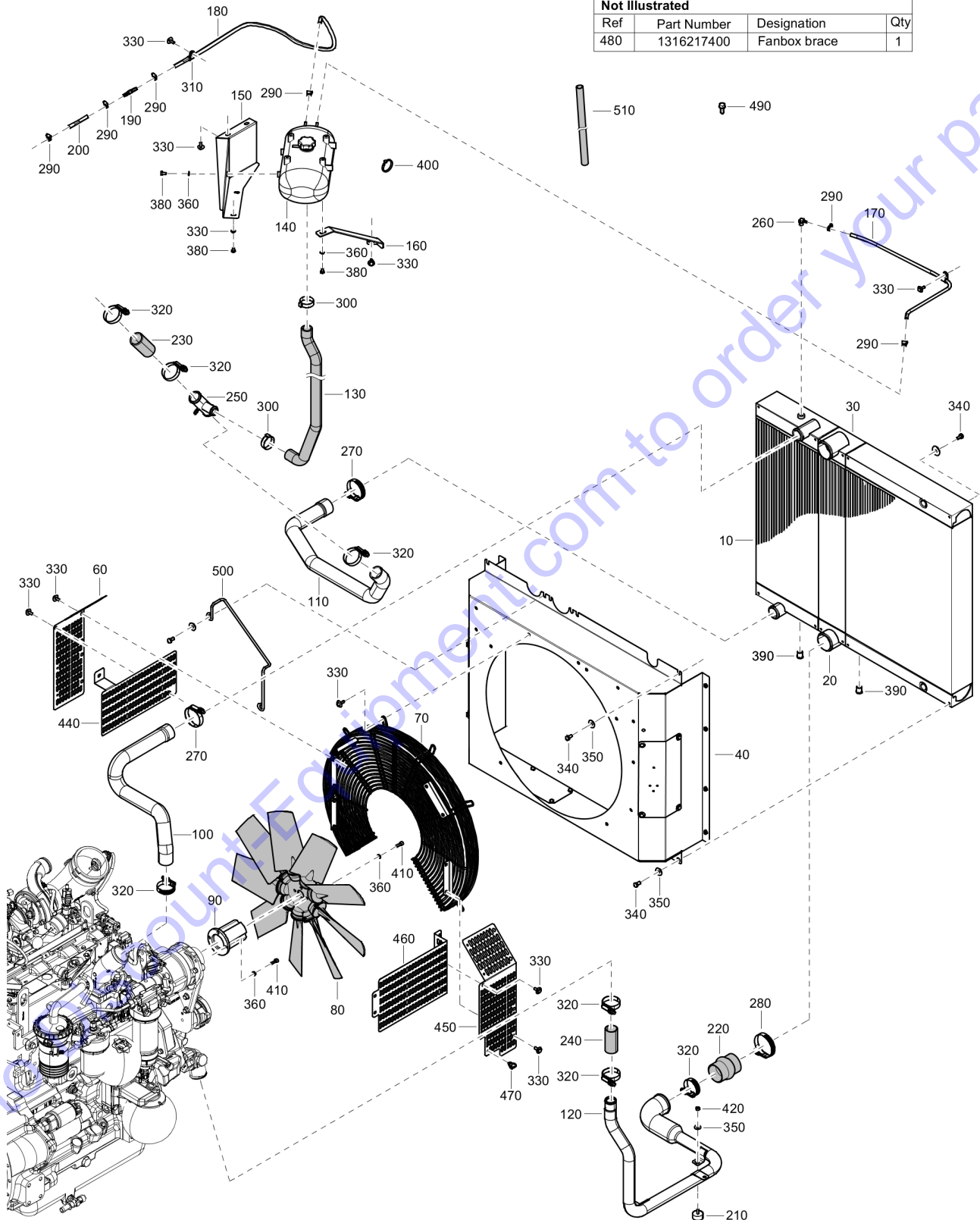


Id	Qty	Number	Name	Specifications
10	1	1638839380	UNLOADER: ASSY BLOW-OFF C90	
20	1	1604084785	VALVULA REGULAGEM	
30	1	1316214700	MANIFOLD:NO PACE,CPS400-100KOD	
40	1	1316208100	BRACKET:PRESSURE GAUGE	
50	1	1604401707	PRESSURE GAUGE:NON-BRANDED	
60	1	1310867600	MANIFOLD:REGULATING SYS XAS400	
70	1	1089951504	SOLENOID VALVE	
80	1	1607852288	PRESSURE SENSOR	
90	2	1310072256	ADAPTER:G.25MALE X G.25MALE	
100	1	0581000033	PIPE COUPLING TYPE 3.3	
110	2	0581000035	PIPE COUPLING TYPE 3.3	
120	3	0581000038	PIPE COUPLING	
130	1	0581000047	STRAIGHT PIPE COUPLING	
140	3	0581000052	STRAIGHT PIPE COUPLING	
150	2	0581120029	FITTING	
160	1	0584008009	STRAIGHT PIPE COUPLING	
170	1	0584231001	STRAIGHT PIPE COUPLING	
180	1	1310074084	ELBOW	
190	1	0823005009	NON RETURN VALVE	
200	1	1638000000	REDUCER PRESSURE	
210	1	0070600204	TUBE ID4 OD6 BLACK	
220		0070600205	PLASTIC TUBE	
230		0070600205	PLASTIC TUBE	
240		0070600205	PLASTIC TUBE	
250		0070600206	TUBE	
260	2	1310030081	HOSE ASY:SCAVENGE LINE 400	
270	1	1310432000	FITTING: T-STREET 1/8 BSPP	
280	1	0603420203	NIPLE G1/8-G1/8	
290	1	1310030457	ADAPTER:G.125M X G.25F	
300	1	0686420103	PLUG 1/8"	
310	4	0147111057	SCREW:M10X30;HXHD,ZN PLT,12.9	
320	2	0147132803	HEXAGON BOLT	
330	2	0147133803	HEXAGON BOLT	
340	4	0301233500	PLAIN WASHER(A) 8.4 X 16 X 1.6	
350	4	0301234400	Toothed washer	
360	1	0661104900	SEAL WASHER	
370	9	1310034579	WASHER-FLAT:M10.0/14.0X1.0MM	
380	10	0661100038	SEALING WASHER 13.74X20.57	
390	1	0663715000	O-RING 129.5X3	



Id	Qty	Number	Name	Specifications
10	1	1316176800	EXHAUST PIPE:TURBO OUTLET	
20	1	1316176810	EXHAUST PIPE:BELLOWS TO DOC	
30	1	1316175301	PIPE:EXHAUST CONDENSATE FLASH	
40	1	1316148000	EXHAUST PIPE: OUTLET	
50	1	1316139100	SEAL:EXHAUST PIPE-ROOF XAS400	
60	1	1615721400	CAP-RAIN:SINGLE BOLT MOUNT,	
70	1	1316175502	BRACKET:DEF TANK SUPPORT	
80	1	1316175701	BRACKET:AFTERTREATMENT	
90	2	1316175600	STRAP:DEF TANK CPS 400 KOHLER	
110	1	1310171410	BELLOWS:3+DIAM X 5.75LONG	
120	1	1316183600	BRACKET:COOLANT LINES	
130	1	1316021600	BRACKET:ENGINE HARNESS	
140	1	1310050554	GROMMET:RUBBER 2.0HOLE/.188PNL	
150		0075402569	HOSE:3/8" PUSH-LOK	
160		0075402569	HOSE:3/8" PUSH-LOK	
170		0075402569	HOSE:3/8" PUSH-LOK	
180	1	0075402569	HOSE:3/8" PUSH-LOK	
190		0075402569	HOSE:3/8" PUSH-LOK	
200		0075402569	HOSE:3/8" PUSH-LOK	
210		0075402569	HOSE:3/8" PUSH-LOK	
220	1	1316176980	KIT:HEAT BLANKET CPS400 KDI	
230	2	1310073201	GASKET:MARMON FLG	
240	2	1310072869	CLAMP:MARMON	
250	1	1310035561	CLAMP-SADDLE: 3.00+ ID ZINC PL	
260	2	1310074837	TEE:UNION 3/8 ID HOSE	
270	1	1310072345	ADAPTER:.375 BARB X M14 MALE	
280	1	1310072342	CLAMP:WIRE & TUBE .625" DIA	
290	14	1310032384	CLAMP-HOSE: .25- .62,SIZE 4	
300	4	0147140003	PARAF.SEXT. M12X25 MM FZB	
310	2	0147140103	HEX. HEAD SCREW M12 X 25	
320	8	0147124703	PARAF M6X20 DIN933 8.8 FZB	
330	3	0147133103	HEXAGON BOLT	
340	1	0144324803	SCREW	
350	16	1615566400	HEX. HEAD SCREW	
360	8	1619276600	SCREW-SELF TAP:M 8X 20 HEX HD,	
370	1	0292130500	LOCKNUT	
380	8	0301232100	PLAIN WASHER(A) 6.4 X 12 X 1.6	
390	5	0301233500	PLAIN WASHER(A) 8.4 X 16 X 1.6	
410	8	0301235800	PLAIN WASHER(A) 13 X 24 X 2.5	
430	14	0348010212	CABLE TIE: WITH FIR TREE MOUNT	
440	1	1316175510	BRACKET:COOLANT VALVE	
460	2	0147140403	HEX. BOLT M12X45X8.8	

Not Illustrated			
Ref	Part Number	Designation	Qty
480	1316217400	Fanbox brace	1



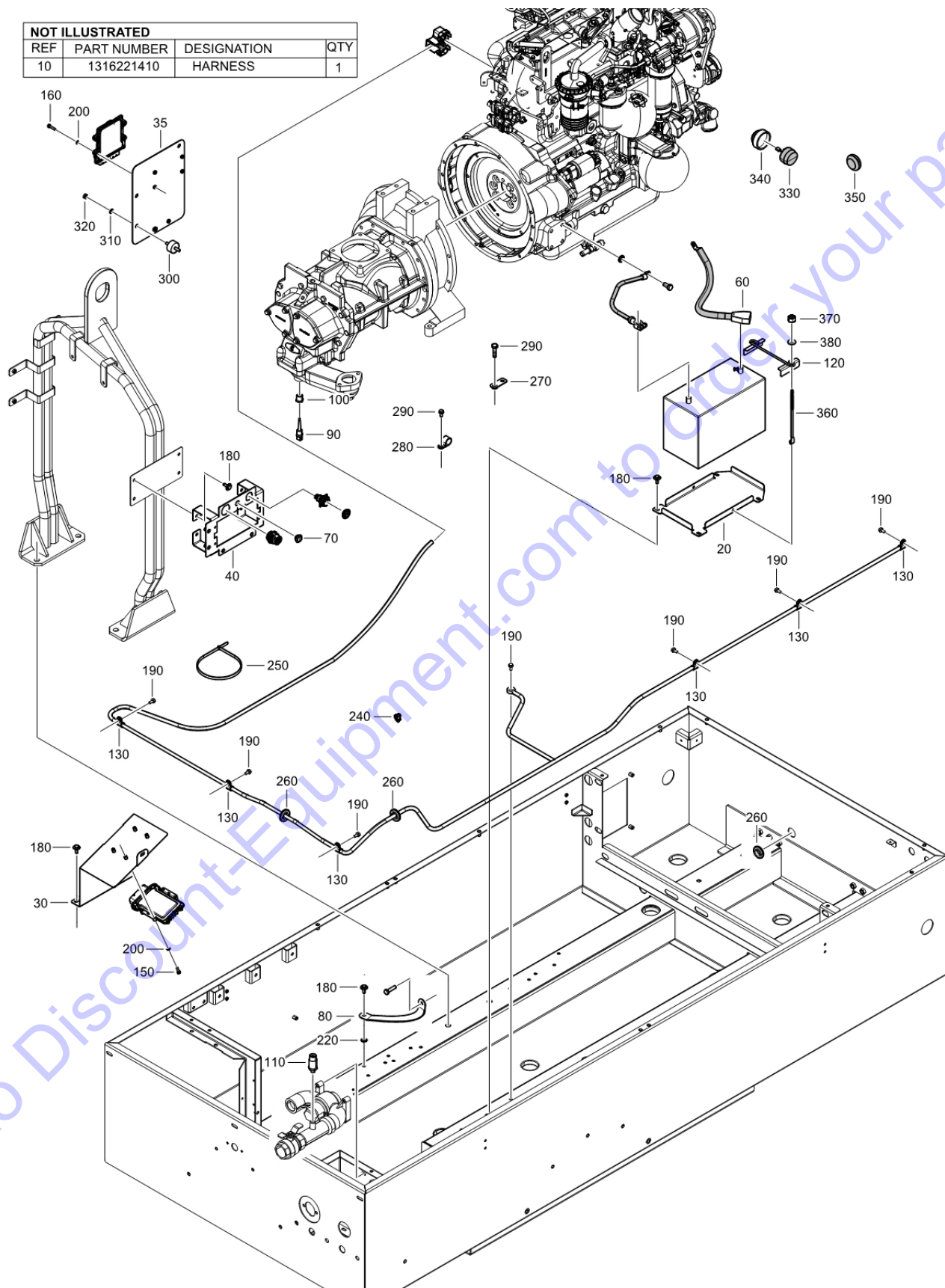
Go to [GoTrot.com](https://www.GoTrot.com) to order your parts

Id	Qty	Number	Name	Specifications
10	1	1310203001	RADIATOR:400 JD/CD T4F	
20	1	1310203011	OIL COOLER:400 JD/CD T4F	
30	1	1310203021	CAC COOLER:400 JD/CD T4F	
40	1	1316138782	FAN BOX ASY	
60	1	1316117152	GUARD-BELT:CPS 400 KOD LEFT	
70	1	1316139501	KIT:FAN GUARDS	
80	1	1316139400	FAN:28+ DIA.	
90	1	1316140305	FAN SPACER:CPS400 KDI	
100	1	1316174900	HOSE:UPPER RADIATOR CPS400 KDI	
110	1	1316174400	HOSE:COOLANT INLET CPS400 KDI	
120	1	1316174503	PIPE:CAC INLET	
130	1	1316139705	HOSE:COOLANT-ENGINE TO TANK	
140	1	1310074637	TOP TANK ASY:6L	
150	1	1316139800	TOP TANK SUPPORT	
160	1	1316139850	BRACKET - COOLANT BOTTLE	
170	3	1310031197	HOSE:.25IDX.09W,RUBBER,POLYMER	
180	1	0075402569	HOSE:3/8" PUSH-LOK	
190	1	1316174604	PRESSURE REDUCER:1.5MM BARB	
200	2	0075402569	HOSE:3/8" PUSH-LOK	
210	2	1316174605	ISOLATOR:BOBBIN M8X40MM	
220	1	1310072311	CONNECTOR:CAC 3.00 HUMP	
230	1	1310030103	SLEEVE:1.75+IDX4+L,COOLANT	
240	1	1316174600	SLEEVE:SI,41MMX100MM	
250	1	1316174700	PIPE:T-CONNECTION	
260	1	1310073196	ELBOW-HOSE:.25 NPTX.25 BARB	
270	2	1310075623	CLAMP-HOSE:M52/76D CONST-TORQ	
280	2	1310075626	CLAMP-HOSE:M71/95D CONST-TORQ	
290	7	1310032384	CLAMP-HOSE: .25- .62,SIZE 4	
300	2	0347610900	CLAMP	
310	1	1310036557	CLAMP:0.5" ID XM10,P-TYPE \$RBR	
320	6	0347610019	HOSE CLAMP	
330	23	1615566400	HEX. HEAD SCREW	
340	32	0147132203	HEX. HEAD SCREW M8 X 16	
350	14	0300801900	WIDE FLAT WASHER 5/16"TX(TB)	
360	12	0301233500	PLAIN WASHER(A) 8.4 X 16 X 1.6	
380	4	0147132103	HEX. BOLT M8X14X8.8	
390	2	1310035525	PLUG-PIPE: .500NPT HEX HD	
400	5	0348010107	CABLE TY:M140L X 3.6W, BLACK	
410	8	0211132503	HEX SOCK. SCREW M8 X 25	
420	2	0266211000	HEXAGON NUT M8	
440	1	1316208200	BRACKET:HEAT SHIELD CPS 400	
450	1	1316117153	GUARD-BELT:CPS 400 KOD RIGHT	
460	1	1316209300	BRACKET:HEAT SHIELD CPS 400	
470	3	0348010212	CABLE TIE: WITH FIR TREE MOUNT	
480	1	1316217400	FANBOX BRACE	
490	1	1619276600	SCREW-SELF TAP:M 8X 20 HEX HD,	

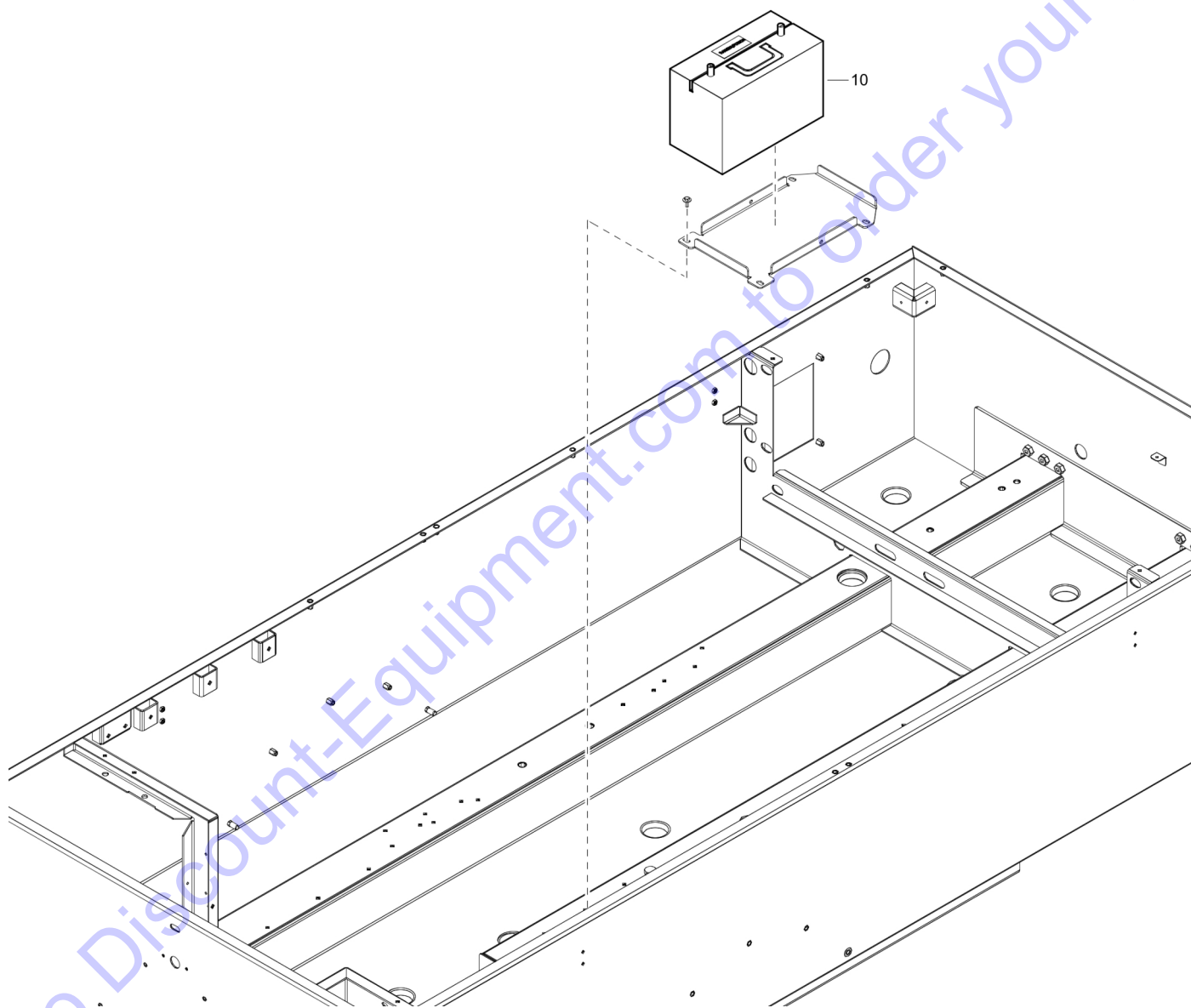
Id	Qty	Number	Name	Specifications
500	1	1316199300	GUIDE: COOLANT BOTTLE LINE	
510	1	1310035556	HOSE:.3125IDX.4375OD,PVC,CLEAR	

Go to Discount-Equipment.com to order your parts

NOT ILLUSTRATED			
REF	PART NUMBER	DESIGNATION	QTY
10	1316221410	HARNESS	1

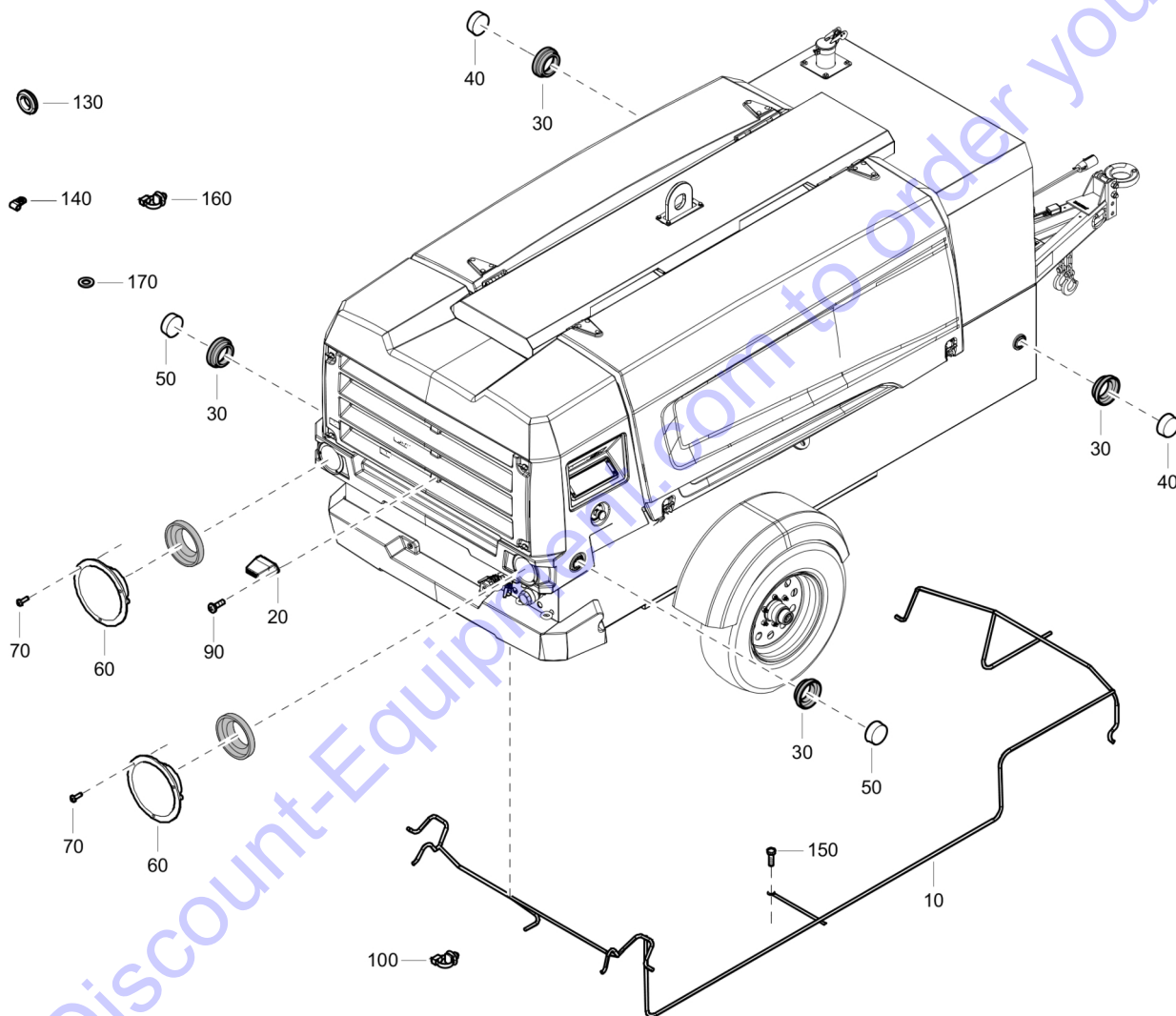


Id	Qty	Number	Name	Specifications
20	1	1310219701	SUPPORT:BATTERY PAN XAS188 S8	
30	1	1316184001	BRACKET:DCU	
35	1	1316184010	BRACKET:ECU CPS400 KOD	
40	1	1316174301	BRACKET:PDU	
60	1	1316174200	BATTERY CABLE: 15+ POSITIVE	
70	1	1310192250	LAMP: 12V RED, 0.75MOUNTING	
80	1	1310074428	STRAP:GROUND	
90	1	1089057470	temp sensor L=50	
100	1	0605881600	BUSHING	
110	1	1607852288	PRESSURE SENSOR	
120	1	1310031166	CLAMP-BATTERY:UNIVERSAL HOLD	
130	1	1310036557	CLAMP:0.5" ID XM10,P-TYPE \$RBR	
150	4	0147124903	HEX. HEAD SCREW M6 X 25	
160	4	0147125003	HEX. BOLT M6X30X8.8	
180	12	1615566400	HEX. HEAD SCREW	
190	4	1619276600	SCREW-SELF TAP:M 8X 20 HEX HD,	
200	9	0301232100	PLAIN WASHER(A) 6.4 X 12 X 1.6	
220	1	1088001902	CONTACT WASHER	
240	2	0348010212	CABLE TIE: WITH FIR TREE MOUNT	
250	1	1310253601	CABLE TY:M375LX21W	
260	5	1310035574	GROMMET: 1.75ODX 1.0IDX .40THK	
270	1	1316013300	BRACKET:AMBIENT TEMP SENSOR	
280	3	1310034289	CLAMP-HOSE: 1.00' NOM P-CLAMP	
290	1	0147124703	PARAF M6X20 DIN933 8.8 FZB	
300	3	1316174605	ISOLATOR:BOBBIN M8X40MM	
310	3	0300027666	WASHER:M8.40/16.0X1.5T BLACK	
320	3	0266211000	HEXAGON NUT M8	
330	1	1089942910	FLASHLIGHT	
340	1	1089943003	HORN:24V	
350	1	1310076275	GROMMET:.88ID 1.00 HOLE .06 TH	
360	2	1316021285	J-BOLT:1/4-20 X 9 ZINC PLT	
370	2	1316021286	NUT: 1/4-20 HEX NUT ZINC PLT	
380	2	1316021287	WASHER: 1/4 USS TYPE ZINC PLT	

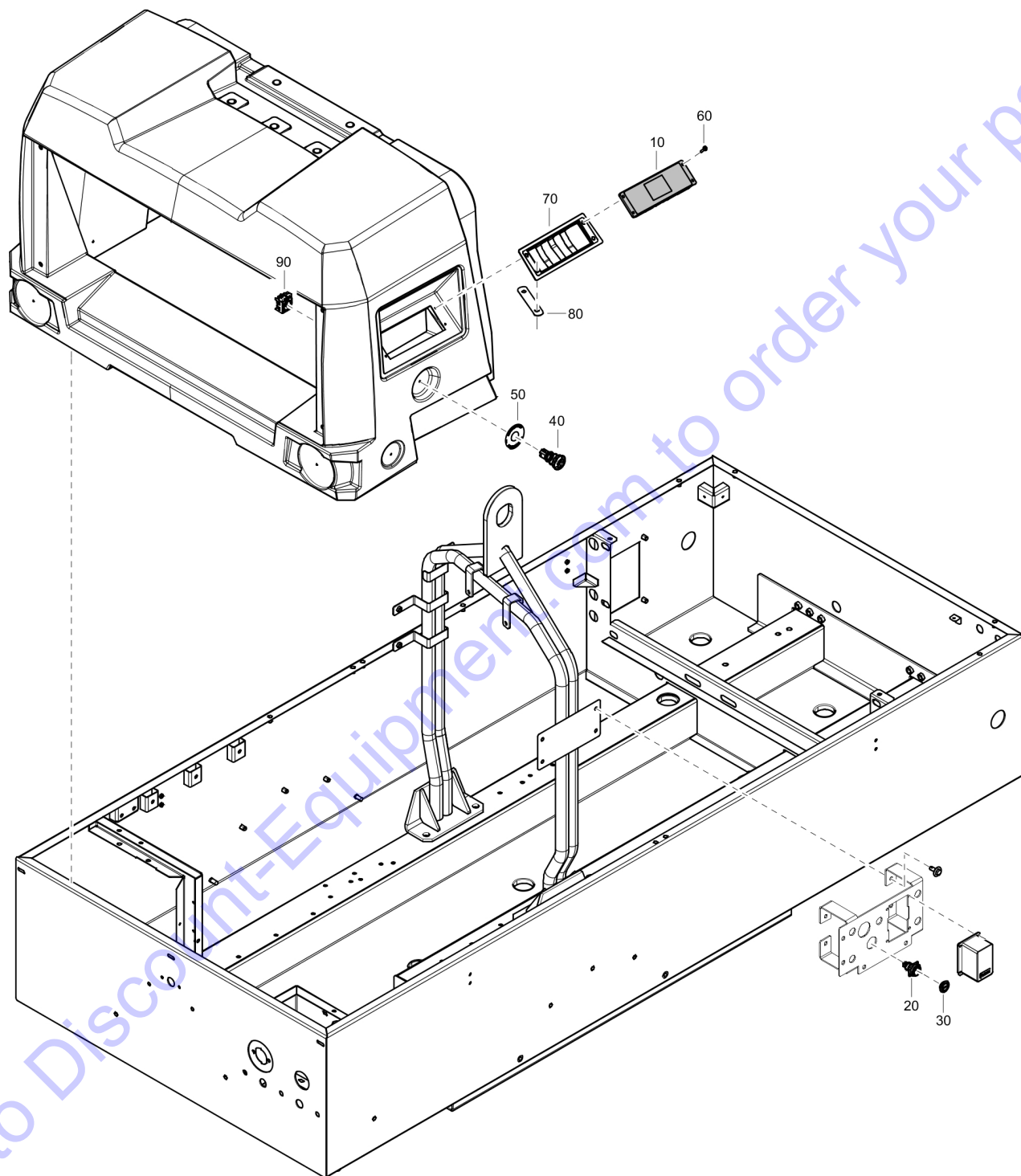


Id	Qty	Number	Name	Specifications
10	1	1310030585	Battery:1100cca group 31	

Go to Discount-Equipment.com to order your parts



Id	Qty	Number	Name	Specifications
10	1	1316200501	Wire harness:road lights	
20	1	1310036971	LAMP:LICENSE PLATE	
30	4	1310415500	GROMMET:2" SIDE MARKER LIGHTS	
40	2	1310414300	REFLECTOR:AMBER	
50	2	1310414200	REFLECTOR: RED	
60	2	1310416600	LAMP:STOP-TURN TAIL,4" W/RING,	
70	6	1310075725	SCREW:DRILL, M4.2X16MM CRSSPAN	
90	2	0160099611	CROSS REC SCREW	
100	10	0348010212	CABLE TIE: WITH FIR TREE MOUNT	
130	3	1310035574	GROMMET: 1.75ODX 1.0IDX .40THK	
140	3	1310031266	CLAMP:WIRE & TUBE CLIP FOR .38	
150	2	0147132503	SCREW:M 8X 25;HEX HD,ZN PLT,\$S	
160	5	1088130105	CABLE STRIP	
170	2	0301233500	PLAIN WASHER(A) 8.4 X 16 X 1.6	



Id	Qty	Number	Name	Specifications
10	1	1638605402	CONTROLLER	
20	1	1310074140	ADAPTER:USB-A TO USB-B PE400	
30	1	1310074142	ADAPTER COVER:USB TYPE A	
40	1	1310600560	SWITCH:E-STOP S2 QAS CUBICLE	
50	1	1316010150	LABEL:E-STOP 3+ DIA YELLOW	
60	4	0160099697	SCREW	
70	1	1638666810	SEAL	
80	2	1310221100	PLATE:CONTROLLER BACKING	
90	1	1310600562	SWITCH-HOLDER:METAL	

Go to Discount-Equipment.com to order your parts

PARTS FINDER

**Search Website
by Part Number**



**Search Manual
Library For Parts
Manual & Lookup Part
Numbers – Purchase
or Request Quote**

Search Manuals

Enter your information to help us find the right parts manual for your machine.

* Brand:

* Model:

* Serial:

* Part Number:

SEARCH

**Can't Find Part or
Manual? Request Help
by Manufacturer,
Model & Description**

Parts Order Form

Please fill in the following information to help us find the right part for your machine.

Manufacturer:	<input type="text"/>
Model:	<input type="text"/>
Description:	<input type="text"/>
Part Number:	<input type="text"/>
Quantity:	<input type="text"/>
Notes:	<input type="text"/>

Submit

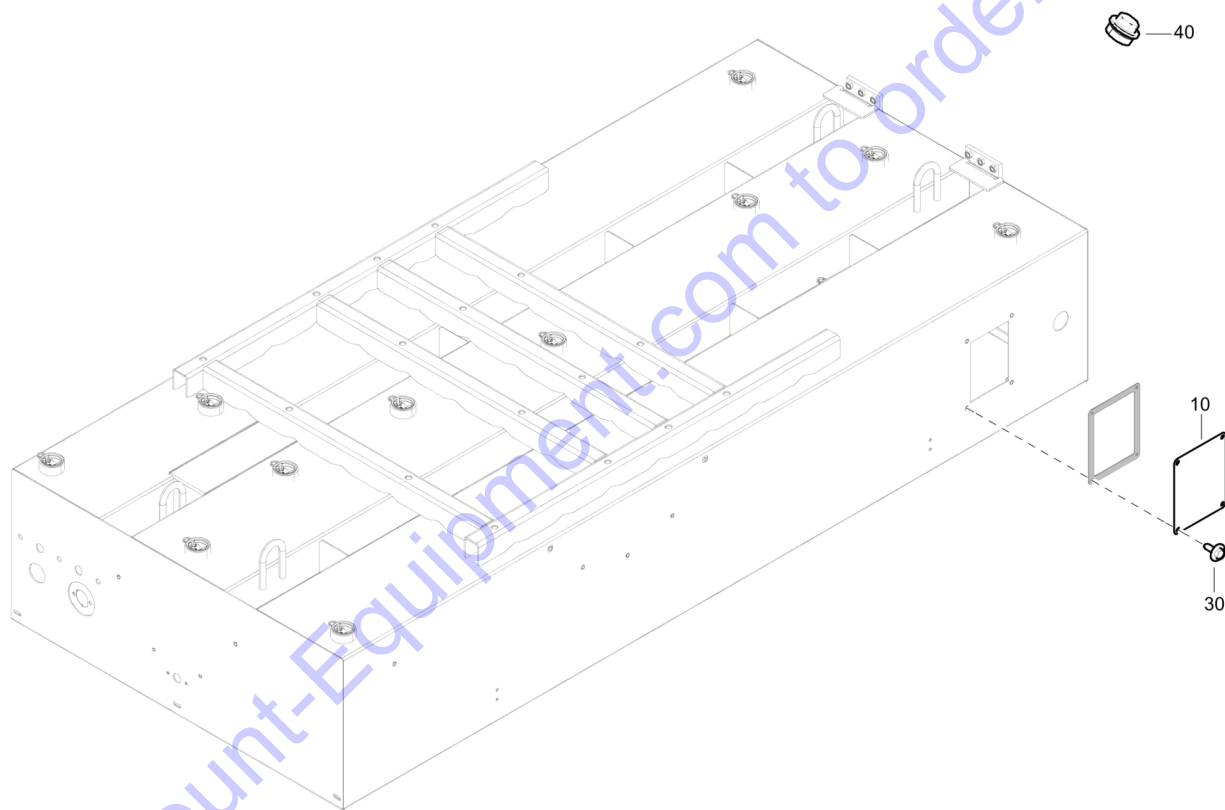
Discount-Equipment.com is your online resource for quality parts & equipment.

Florida: **561-964-4949** Outside Florida TOLL FREE: **877-690-3101**

Need parts?

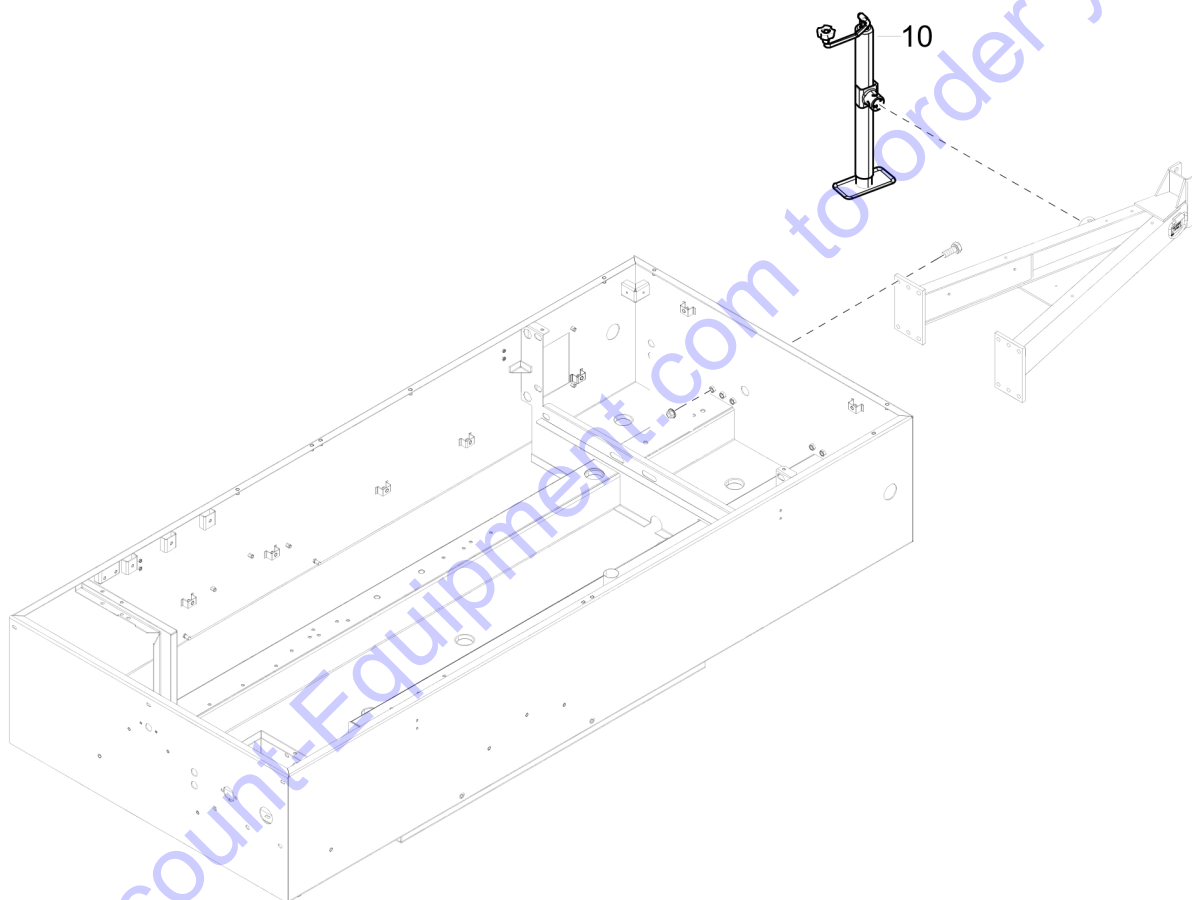
Click on this link: <http://www.discount-equipment.com/category/5443-parts/> and choose one of the options to help get the right parts and equipment you are looking for. Please have the machine model and serial number available in order to help us get you the correct parts. If you don't find the part on the website or on one of the online manuals, please fill out the request form and one of our experienced staff members will get back to you with a quote for the right part that your machine needs.

We sell worldwide for the brands: Genie, Terex, JLG, MultiQuip, Mikasa, Essick, Whiteman, Mayco, Toro Stone, Diamond Products, Generac Magnum, Airman, Haulotte, Barreto, Power Blanket, Nifty Lift, Atlas Copco, Chicago Pneumatic, Allmand, Miller Curber, Skyjack, Lull, Skytrak, Tsurumi, Husquvarna Target, Stow, Wacker, Sakai, Mi-T-M, Sullair, Basic, Dynapac, MBW, Weber, Bartell, Bennar Newman, Haulotte, Ditch Runner, Menegotti, Morrison, Contec, Buddy, Crown, Edco, Wyco, Bomag, Laymor, EZ Trench, Bil-Jax, F.S. Curtis, Gehl Pavers, Heli, Honda, ICS/PowerGrit, IHI, Partner, Imer, Clipper, MMD, Koshin, Rice, CH&E, General Equipment, Amida, Coleman, NAC, Gradall, Square Shooter, Kent, Stanley, Tamco, Toku, Hatz, Kohler, Robin, Wisconsin, Northrock, Oztec, Toker TK, Rol-Air, APT, Wylie, Ingersoll Rand / Doosan, Innovatech, Con X, Ammann, Mecalac, Makinex, Smith Surface Prep, Small Line, Wanco, Yanmar



Id	Qty	Number	Name	Specifications
10	1	1316139910	PLATE:COVER NON EFT BLACK	
30	4	1615566400	HEX. HEAD SCREW	
40	2	1316010232	PLUG:1-3/8" HOLE	

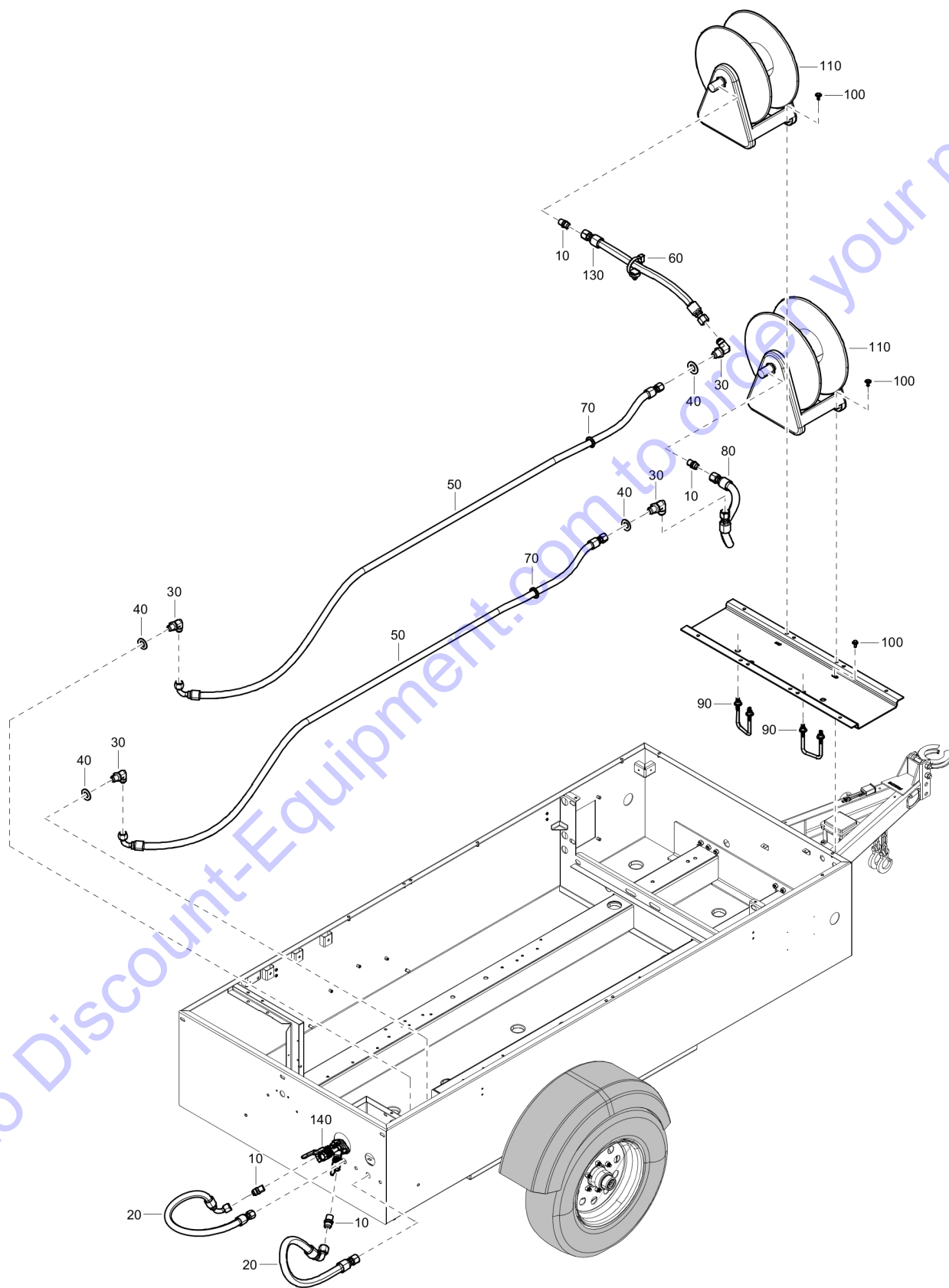
Go to Discount-Equipment.com to order your parts



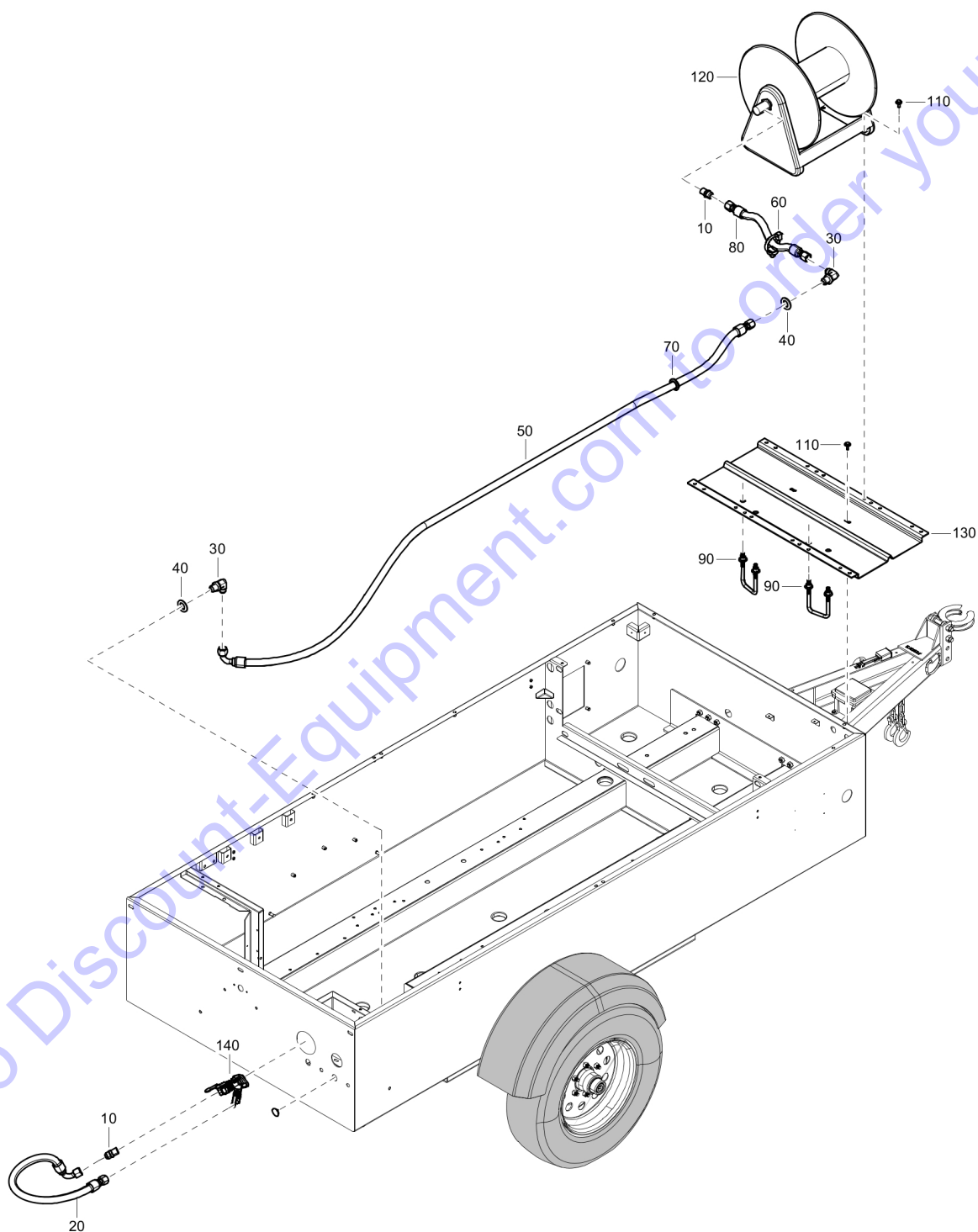
Go to DiscountEquipment.com to order your parts

Id	Qty	Number	Name	Specifications
10	1	1310266489	JACK ASY:15"TRAVEL,FOOTPLATE	

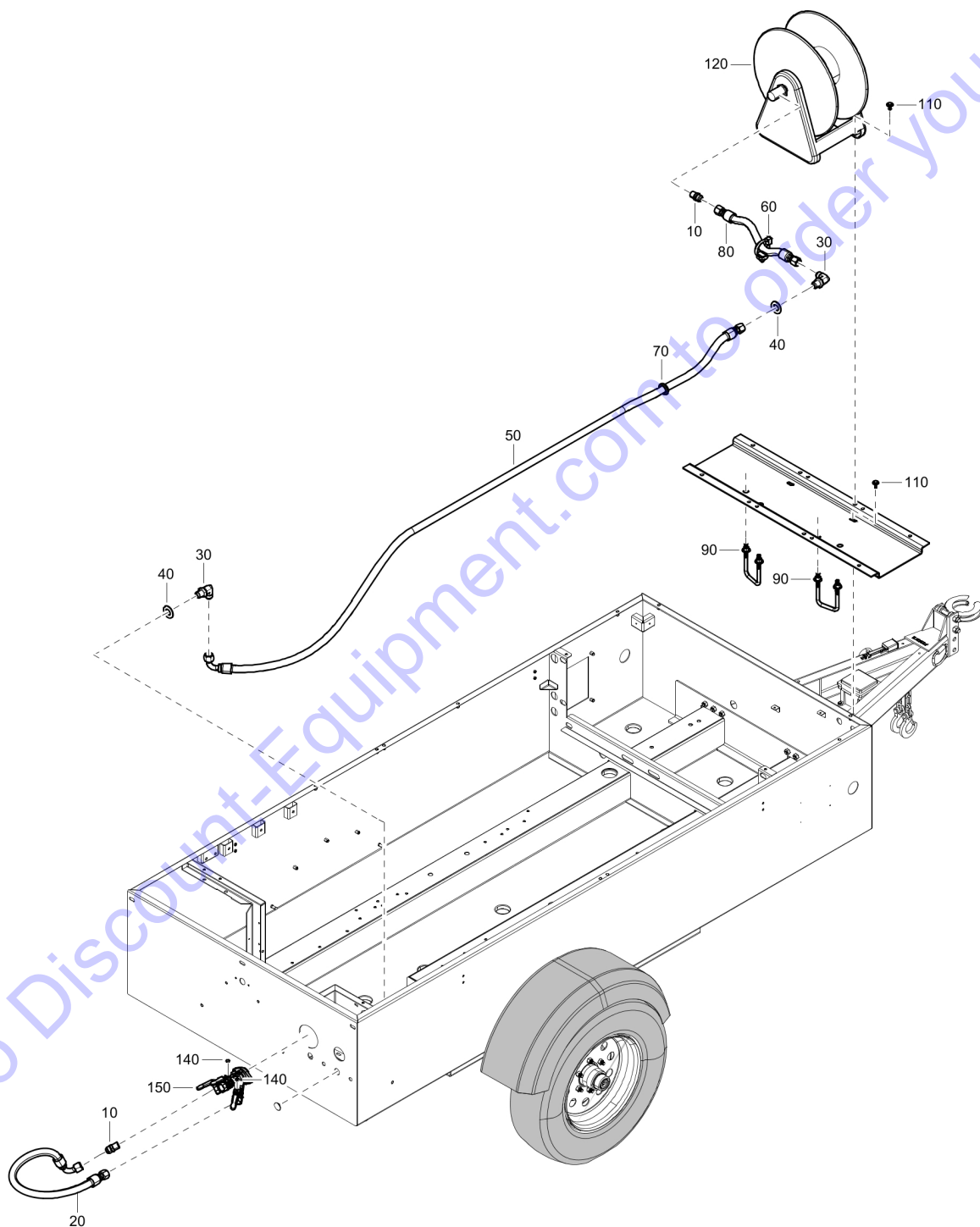
Go to Discount-Equipment.com to order your parts



Id	Qty	Number	Name	Specifications
10	4	3176653900	NIPPLE	
20	2	1316157600	HOSE ASSEMBLY: VALVE TO FRAME	
30	4	1310074470	ELBOW:BULKHEAD 90 12JIC M2M	
40	4	1310030978	WASHER-FLAT:27ID/50OD/4TH \$STL	
50	2	1316157800	HOSE ASSEMBLY: FRAME INTERIOR	
60	1	0348010212	CABLE TIE: WITH FIR TREE MOUNT	
70	2	1310073837	GROMMET:1-1/	
80	1	1316157900	HOSE ASSEMBLY: FRAME TO CURB REEL	
90	2	1316206900	U-BOLT	
100	10	1615566400	HEX. HEAD SCREW	
110	2	1310034441	HOSE REEL:6" WIDE,50 FT	
130	1	1316208300	HOSE ASSEMBLY: FRAME TO ROAD REEL	
140	1	1626857391	TRIPLE BALL VALVE	

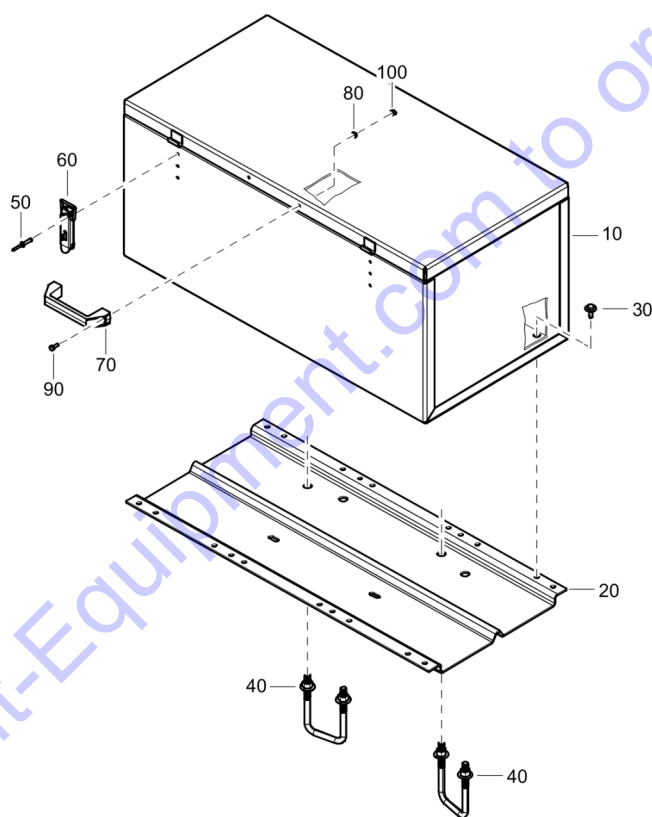


Id	Qty	Number	Name	Specifications
10	2	3176653900	NIPPLE	
20	1	1316157600	HOSE ASSEMBLY: VALVE TO FRAME	
30	2	1310074470	ELBOW:BULKHEAD 90 12JIC M2M	
40	2	1310030978	WASHER-FLAT:27ID/50OD/4TH \$STL	
50	1	1316157800	HOSE ASSEMBLY: FRAME INTERIOR	
60	1	0348010212	CABLE TIE: WITH FIR TREE MOUNT	
70	1	1310073837	GROMMET:1-1/	
80	1	1316157700	HOSE ASSEMBLY: FRAME TO CENTER REEL	
90	2	1316206900	U-BOLT	
110	6	1615566400	HEX. HEAD SCREW	
120	1	1310034149	HOSE REEL:12+ WIDE, 100FT	
130	1	1316206800	BRACKET:TOOLBOX SIZE 1	
140	1	1626857391	TRIPLE BALL VALVE	



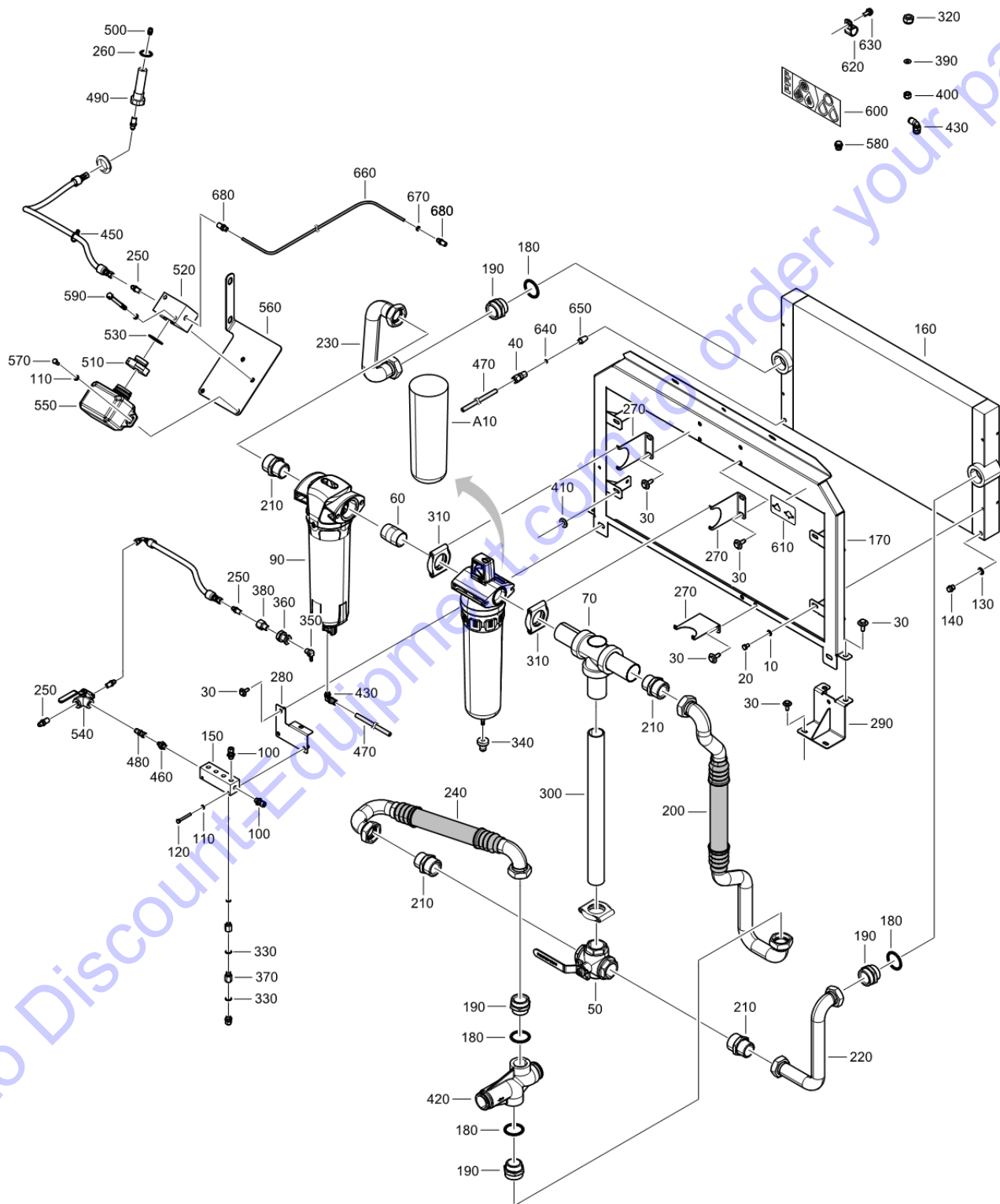
Id	Qty	Number	Name	Specifications
10	2	3176653900	NIPPLE	
20	1	1316157600	HOSE ASSEMBLY: VALVE TO FRAME	
30	2	1310074470	ELBOW:BULKHEAD 90 12JIC M2M	
40	2	1310030978	WASHER-FLAT:27ID/50OD/4TH \$STL	
50	1	1316157800	HOSE ASSEMBLY: FRAME INTERIOR	
60	1	0348010212	CABLE TIE: WITH FIR TREE MOUNT	
70	1	1310073837	GROMMET:1-1/	
80	1	1316157700	HOSE ASSEMBLY: FRAME TO CENTER REEL	
90	2	1316206900	U-BOLT	
110	6	1615566400	HEX. HEAD SCREW	
120	1	1310034441	HOSE REEL:6" WIDE,50 FT	
140	2	0263321500	NUT: 1-1/6UN FOR -12 JIC	
150	1	1626857391	TRIPLE BALL VALVE	

Go to Discount-Equipment.com to order your parts



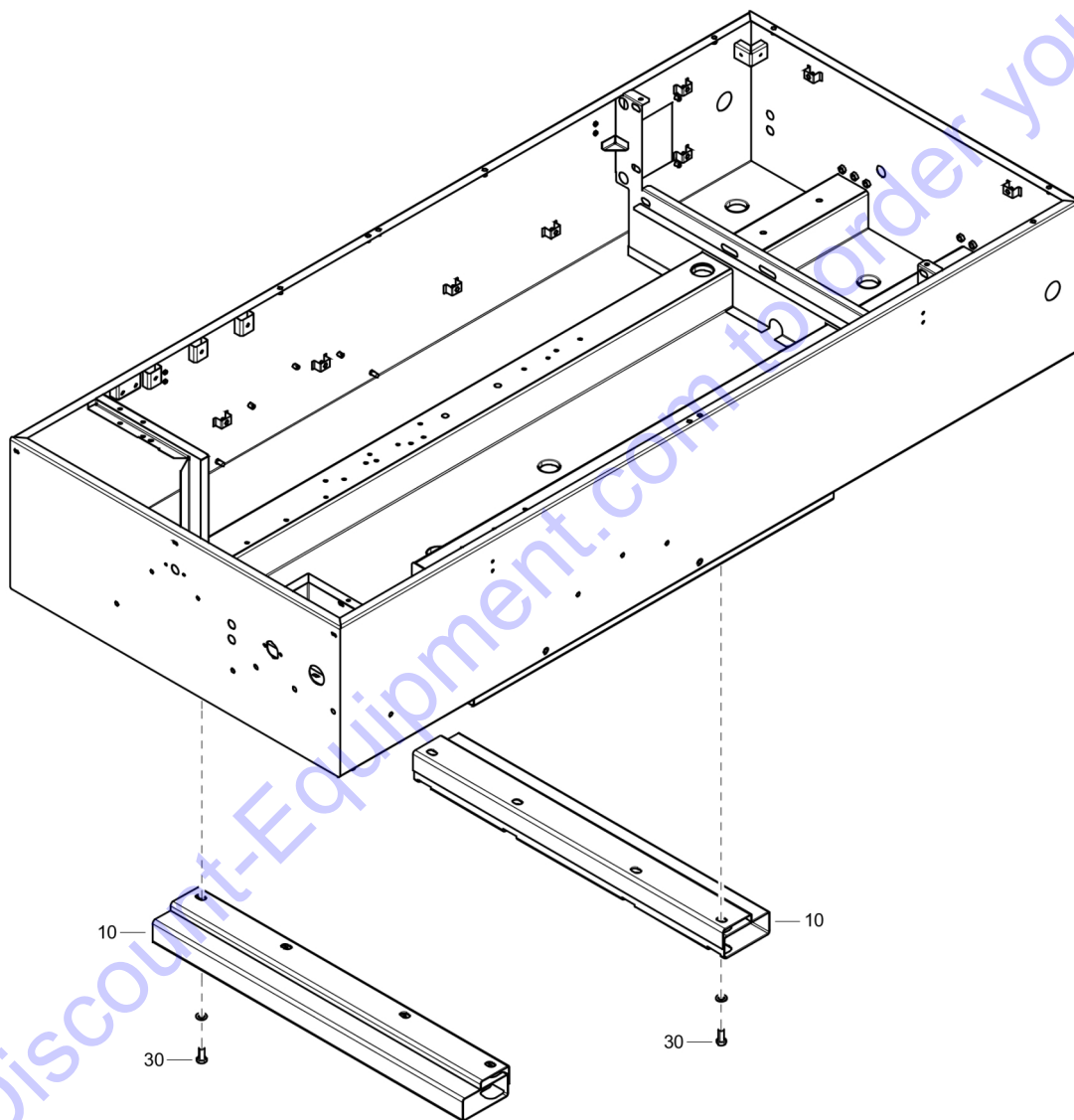
Id	Qty	Number	Name	Specifications
10	1	1310469402	TOOLBOX:LARGE,DRAWBAR MNT,BLK	
20	1	1316206800	BRACKET:TOOLBOX SIZE 1	
30	10	1615566400	HEX. HEAD SCREW	
40	2	1316206900	U-BOLT	
50	6	1310032787	RIVET-POP: .187DX.375L(.126/.25	
60	2	1604668600	LATCH	
70	1	1202867300	HANDGRIP	
80	2	0333212100	LKWASH	
90	2	0147124603	HEX. HEAD SCREW M6 X 16	
100	2	0266210800	NUT:M 6.0DX 5.2H HEX,ZN PLT,\$S	

Go to Discount-Equipment.com to order your parts



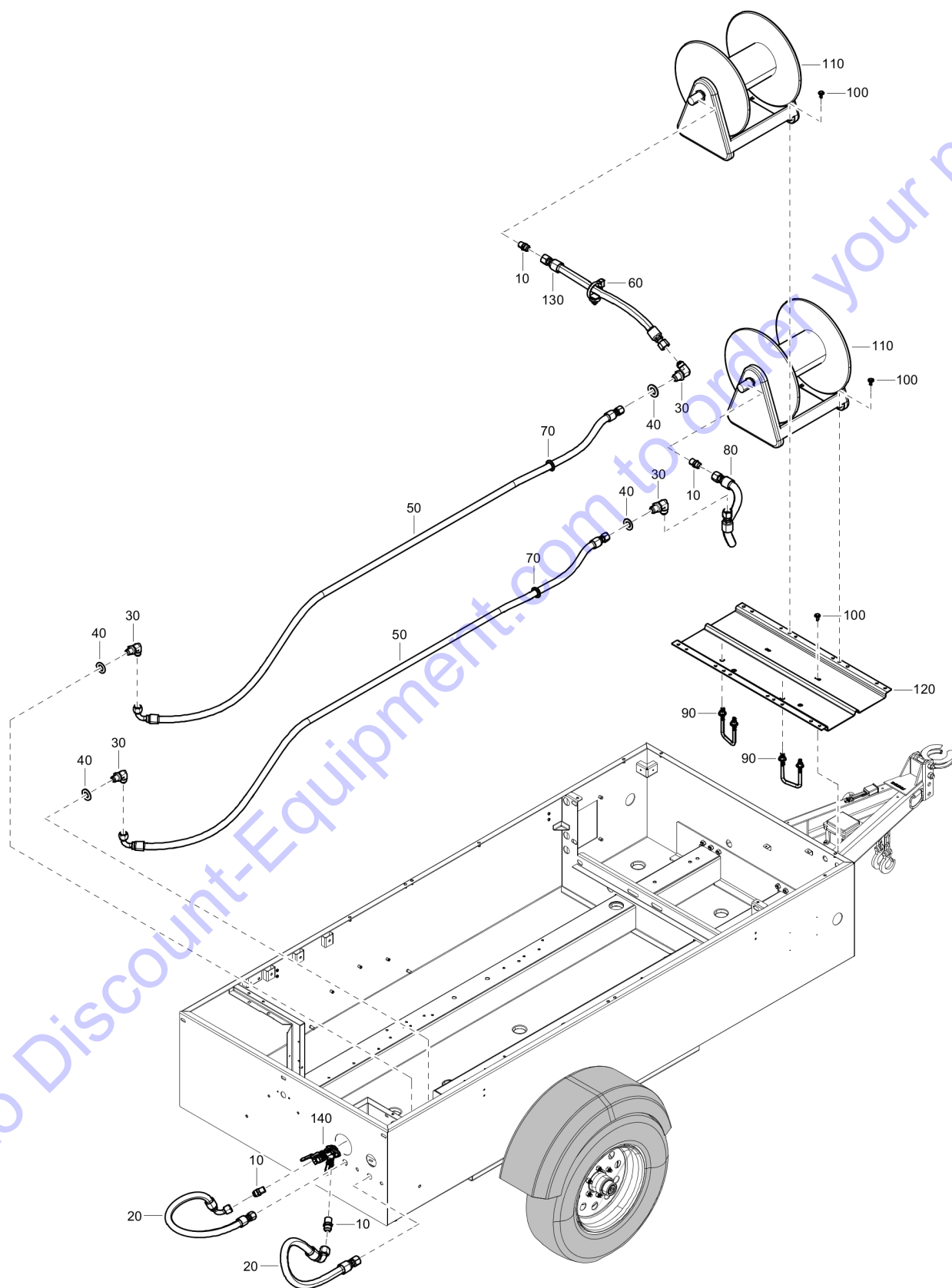
Id	Qty	Number	Name	Specifications
10	16	0301233500	PLAIN WASHER(A) 8.4 X 16 X 1.6	
20	8	0147132103	HEX. BOLT M8X14X8.8	
30	21	1615566400	HEX. HEAD SCREW	
40	1	1615861902	COUPLING	
50	1	1310075988	VALVE:3-WAY BALL 1-1/2NPT "F"	
60	2	1310084100	NIPPLE:CLOSE 1.5NPT X 2.5L	
70	1	1316010262	TEE: 1 1/2" NPT	
A10	1	2901207208	FILTER:SERVICE UD 1-1/2" NPT	
90	1	1638661200	FILTRO WSD	
100	4	0581000035	PIPE COUPLING TYPE 3.3	
110	2	0301232100	PLAIN WASHER(A) 6.4 X 12 X 1.6	
120	2	0147196276	SCREW:M 6 X 50L,HXHD,ZNPLT	
130	1	0661100038	SEALING WASHER 13.74X20.57	
140	3	0686371601	PLUG G 1/4"	
150	1	1310801700	MANIFOLD: 8MM TUBING	
160	1	1310127300	COOLER AFTER	
170	1	1316115401	PANEL - AFTERCOOLER	
180	4	0661106200	SEALING WASHER	
190	4	0571003541	NIPLE M52X1,5 X G1.1/2"	
200	1	1316140000	HOSE: AIR OUT	
210	4	1316010101	NIPPLE - ADAPTOR:M42 X 1.5 NPT	
220	1	1316113101	PIPE: TO AFTERCOOLER	
230	1	1316142901	PIPE - AFTERCOOLER FILTERS	
240	1	1316143000	HOSE - VESSEL TO VALVE	
250	3	1310076187	COUPLING:1/4NPTX8MM PUSH-TO-LK	
260	1	0653116500	FLAT GASKET	
270	3	1316142800	BRACKET - AFTERCOOLER FILTERS	
280	1	1316116300	SUPPORT:TUBING MANIFOLD BLOCK	
290	1	1316116100	SUPPORT:AFTERCOOLER XAS400/440	
300	1	1316113001	PIPE: AFTERCOOLER	
310	3	1310050304	CLAMP:U-BOLT 2"OD X 5/16THD	
320	6	0292130500	LOCKNUT	
330	7	0653106200	GASKET 13 X 20 X 1.5	
340	1	1310963881	DRAIN PORT:PD/DD FILTER ASY	
350	1	0581120023	ELBOW ISO 7-R 1/4 X 8	
360	1	1310072952	BULKHEAD: ANCHOR COUPLING	
370	1	1310224200	PRESSURE REDUCER:1.5MM	
380	1	1316010074	ADP 1/4"BSPP X 1/4"MNPT BRASS,	
390	2	0301232700	PLAIN WASHER	
400	1	0266211000	HEXAGON NUT M8	
410	1	0300027666	WASHER:M8.40/16.0X1.5T BLACK	
420	1	1638795100	CONNECTOR	
430	2	1310074084	ELBOW	
450	1	0348010212	CABLE TIE: WITH FIR TREE MOUNT	
460	1	1310923752	FITTING:1/4BSPPX1/4JIC MALE	
470	7	0070600205	PLASTIC TUBE	

Id	Qty	Number	Name	Specifications
480	1	1310266507	ADAPTER:-4JICF TO 0.25NPT	
490	1	1316010006	PIPE:CONDENSATE REMOVAL	
500	1	1316010001	NOZZLE:40PSI .3GPM 1/8MNPT	
510	1	1626555280	VALVE ASSEMBLY	
520	1	1316010300	BLOCK: CONDENSATE FLASH DRAIN	
530	1	0653118900	GASKET 33 X 39 X 2	
540	1	1310266508	VALVE:3WAY 0.25+ NPT	
550	1	1316156700	CONDENSATE FLASH BOTTLE	
560	1	1316199200	COND. FLASH BOTTLE BRACKET	
570	2	1316010307	THUMB SCREW: M6 X 10MM	
580	1	1310073837	GROMMET:1-1/	
590	2	0147133603	SCREW	
600	1	1310677100	LABEL:QUALITY AIR (PFF)	
610	1	1310035608	LABEL:AC VALVE POS XAS400CD	
620	1	1310075638	CLAMP:3/4+ ID, M8 HOLE	
630	1	1619276600	SCREW-SELF TAP:M 8X 20 HEX HD,	
640	1	1615862000	RESTRICTOR	
650	1	0803501210	SILENCER	
660	9	0075402569	HOSE:3/8" PUSH-LOK	
670	2	1310035202	CLAMP-HOSE: .56-1.06	
680	2	1310032151	ADAPTER-HOSE:.250NPT X.375BARB	

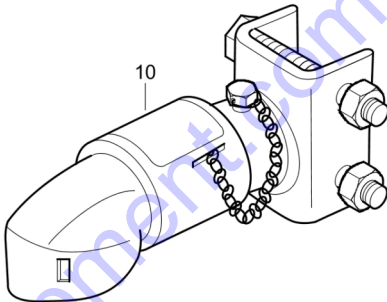


Id	Qty	Number	Name	Specifications
10	1	1316206100	FORK POCKET - FRONT	
30	8	1316010275	Screw:m16 x 35mm; fhcs,zn plt	

Go to Discount-Equipment.com to order your parts



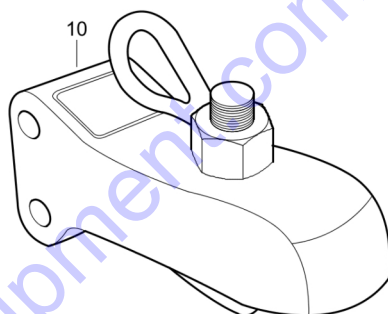
Id	Qty	Number	Name	Specifications
10	4	3176653900	NIPPLE	
20	2	1316157600	HOSE ASSEMBLY: VALVE TO FRAME	
30	4	1310074470	ELBOW:BULKHEAD 90 12JIC M2M	
40	4	1310030978	WASHER-FLAT:27ID/50OD/4TH \$STL	
50	2	1316157800	HOSE ASSEMBLY: FRAME INTERIOR	
60	1	0348010212	CABLE TIE: WITH FIR TREE MOUNT	
70	2	1310073837	GROMMET:1-1/	
80	1	1316157900	HOSE ASSEMBLY: FRAME TO CURB REEL	
90	2	1316206900	U-BOLT	
100	10	1615566400	HEX. HEAD SCREW	
110	2	1310034149	HOSE REEL:12+ WIDE, 100FT	
120	1	1316206800	BRACKET:TOOLBOX SIZE 1	
130	1	1316208300	HOSE ASSEMBLY: FRAME TO ROAD REEL	
140	1	1626857391	TRIPLE BALL VALVE	



Go to Discount-Equipment.com to order your parts

Id	Qty	Number	Name	Specifications
10	1	1310072216	Coupler	

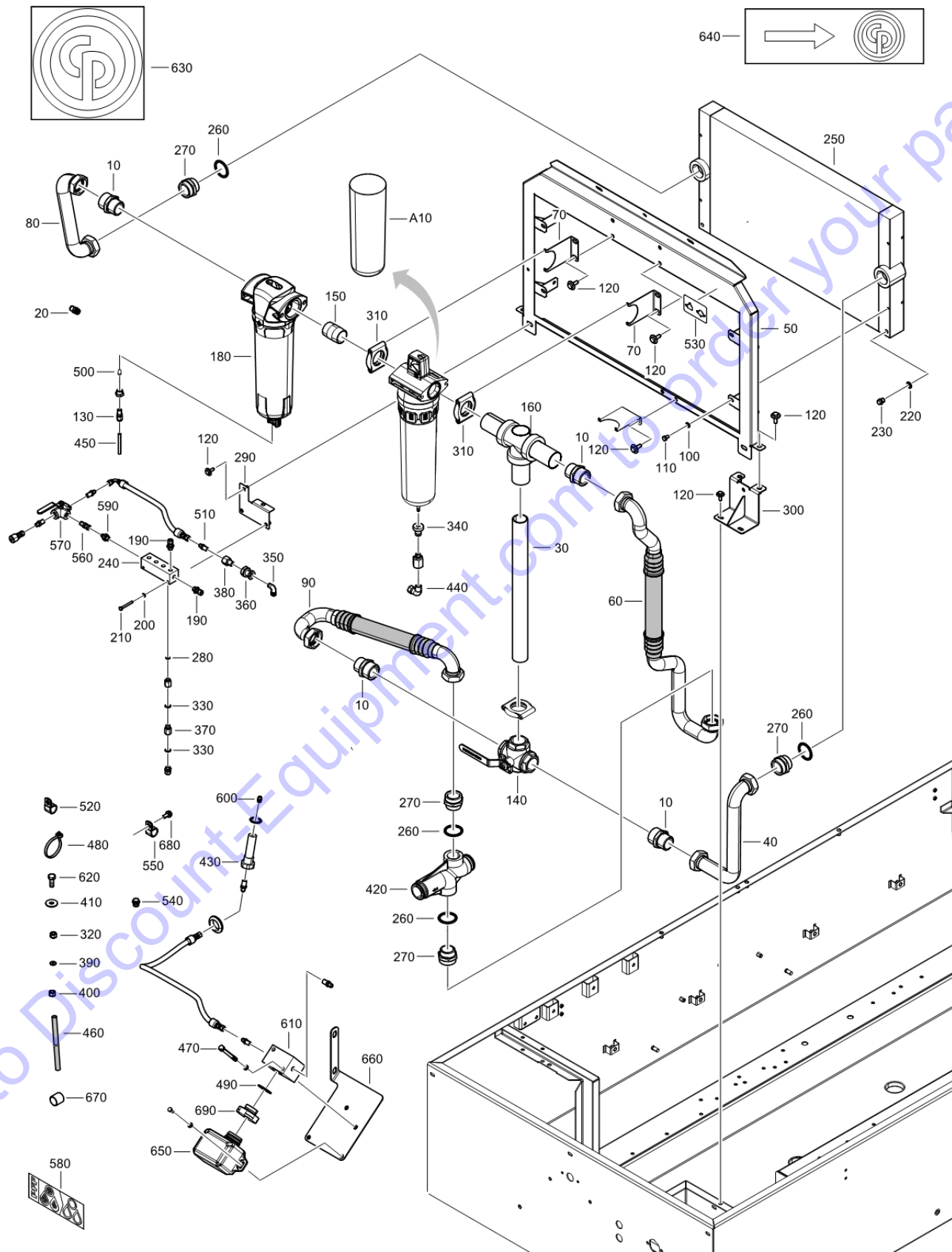
Go to Discount-Equipment.com to order your parts



Go to Discount-Equipment.com to order your parts

Id	Qty	Number	Name	Specifications
10	1	1310034211	COUPLER:1.88/2.00 IN. BALL	

Go to Discount-Equipment.com to order your parts



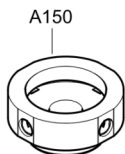
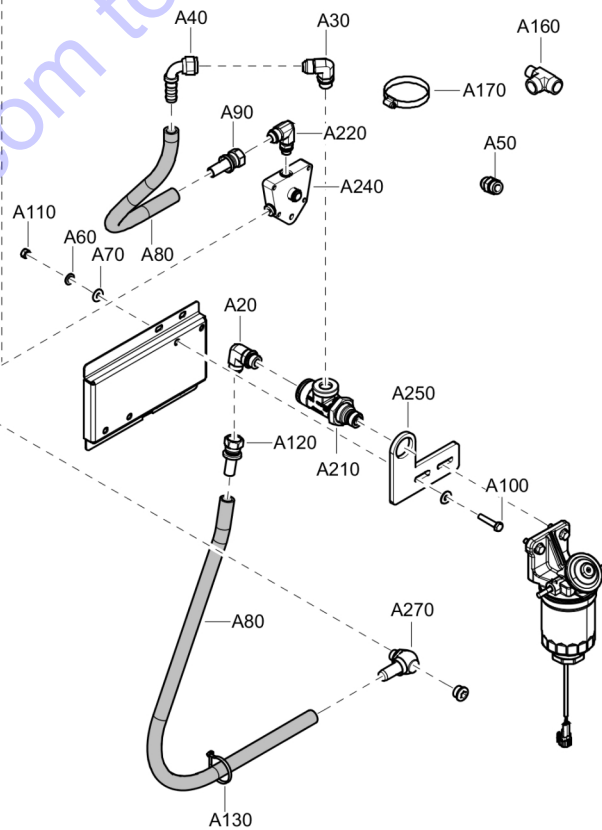
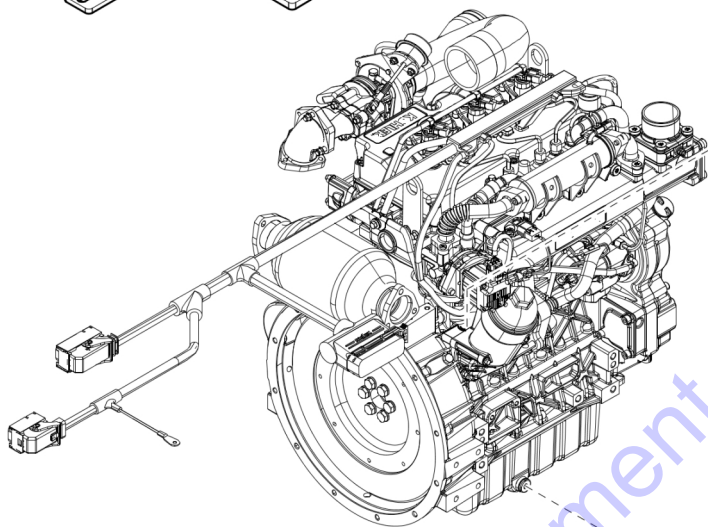
Id	Qty	Number	Name	Specifications

Go to Discount-Equipment.com to order your parts

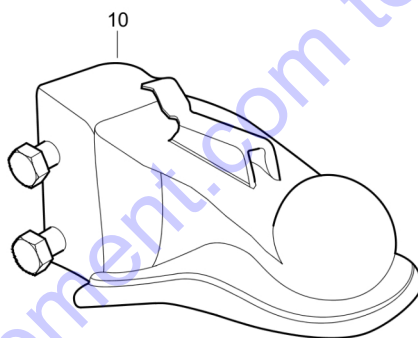
10



Not Illustrated			
Ref	Part Number	Designation	Qty
A180	1316020339	MBLT, M8-1.25 X 50	1
A190	1316020329	BRACKET	1
A260	1316020347	ADAPTER	1



Id	Qty	Number	Name	Specifications
A10	1	1316020311	Adapter elbow, swivel 90 10m	
A20	1	1316020312	Adapter elbow, 90 10m stor -	
A30	1	1316020313	Adapter elbow, 90 8m stor - 1	
A40	1	1316020315	Adapter, 8m stor - 10m jic	
A50	1	1316020316	Adapter, 10m stor - 10m jic	
A60	2	1316020317	Wshr, helical lock - 3/8"	
A70	4	1316020318	Mwshr, flat - m8	
A80	120	1316020319	Hose, push-on (barb), 5/8 id (
A90	4	1316020320	Hose fitting, str #10 socketle	
A100	2	1316020322	Mblt, m8-1.25 x 40, h, s, 8.8,	
A110	2	1316020324	Nut, m8-1.25, hx, st, g8, zn	
A120	1	1316020325	Hose fitting, elb #10 socketle	
A130	1	1316020326	Nylon cable ties- 3 ea 102037-	
A140	1	1316020327	"quickfit on board" sticker	
A150	1	1316020344	FILTER RING ASSY, JOHN DEERE M	
A160	1	1316020372	TEE, #10 BARBED TEE, SPLICER (
A170	3	1316020373	HOSE CLAMP, #10, WORM-DRIVE (3	
A180	2	1316020339	Mblt, m8-1.25 x 50, h, s, 10.9	
A190	1	1316020329	Bracket, 90 for 106403 forged	
A200	1	1316020330	Bracket, flat for 106403 forge	
A210	1	1316020331	Small qf valve; forged; 1/2" f	
A220	1	1316020346	Check valve, elbow, 90 8m sto	
A230	1	1316020332	Bracket, flat tee for 106403 f	
A240	1	1316020333	Bracket, 90 tee for 106403 fo	
A250	1	1316020334	BRACKET, EXTRA LONG, 90 "L"	
A260	1	1316020347	ADAPTER, M18X1.5M (ISO 6149-O-	
A270	1	1316020348	ADAPTER ELBOW, 90 M18X1.5M (I	



Id	Qty	Number	Name	Specifications
10	1	1310032964	Coupler towing	

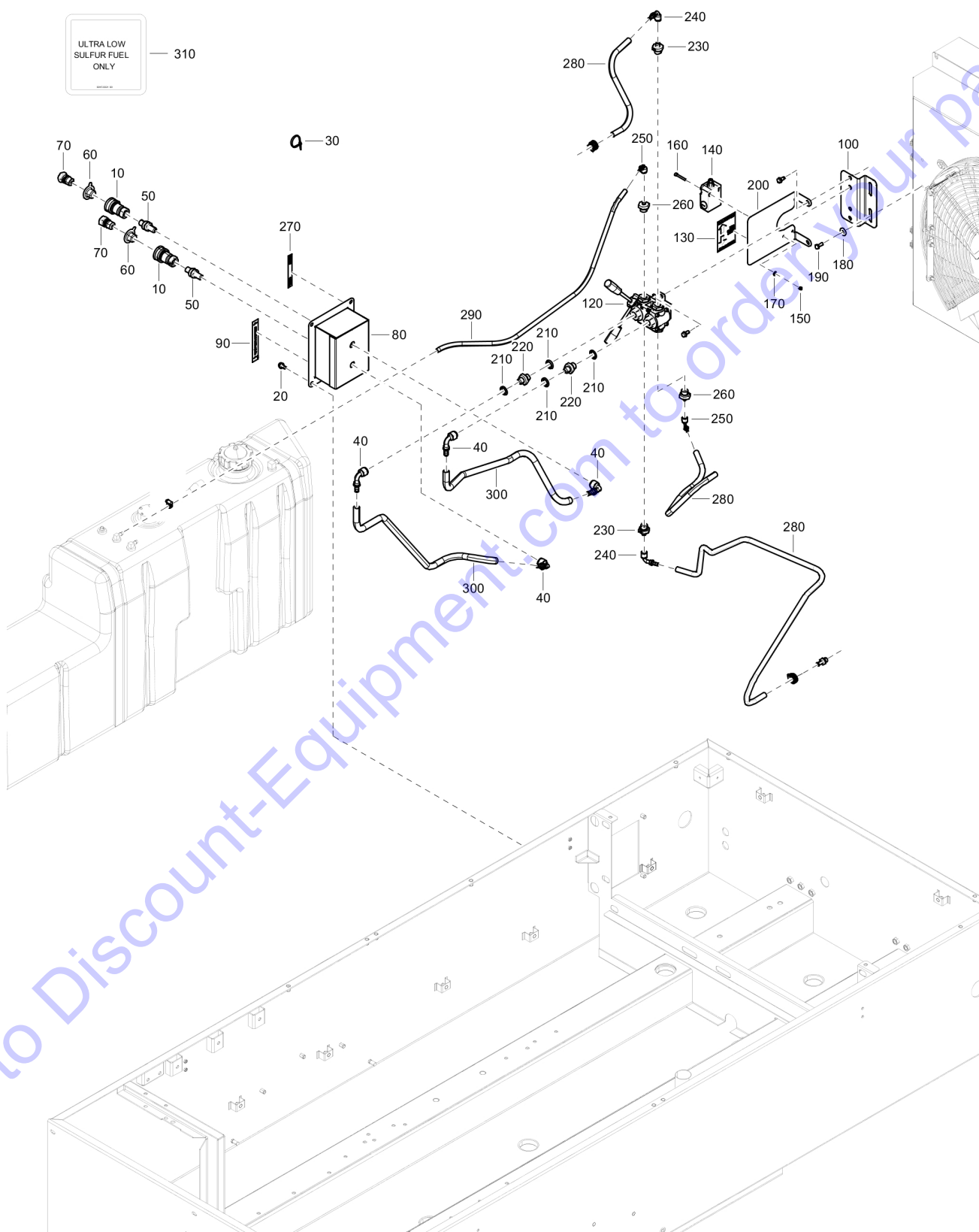
Go to Discount-Equipment.com to order your parts

Not Illustrated			
Ref	Part Number	Designation	Qty
10	1310796196	Block heater	1

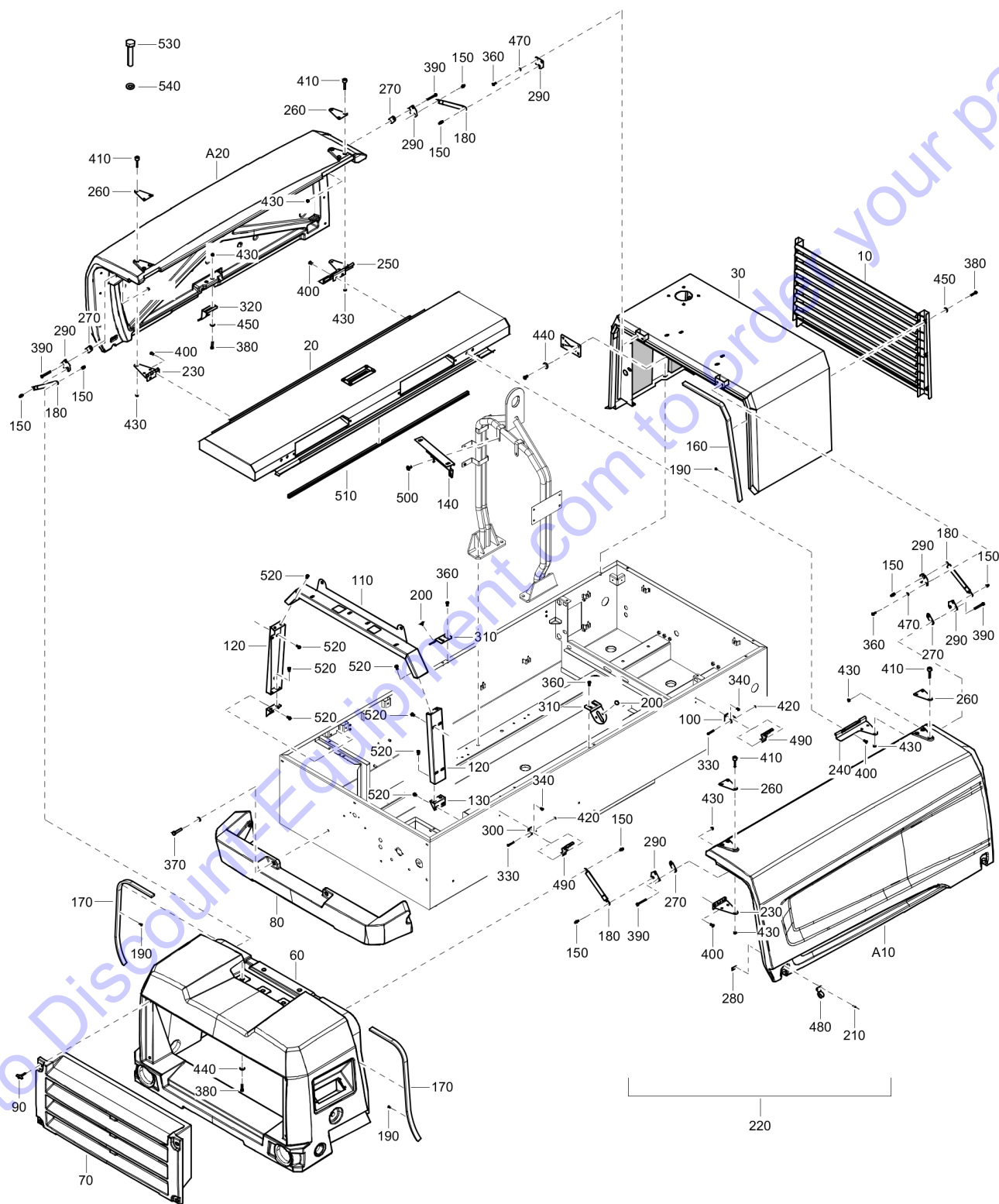
Go to Discount-Equipment.com to order your parts

Id	Qty	Number	Name	Specifications
10	1	1310796196	BLOCK HEATER:KOHLER PUMPS	

Go to Discount-Equipment.com to order your parts



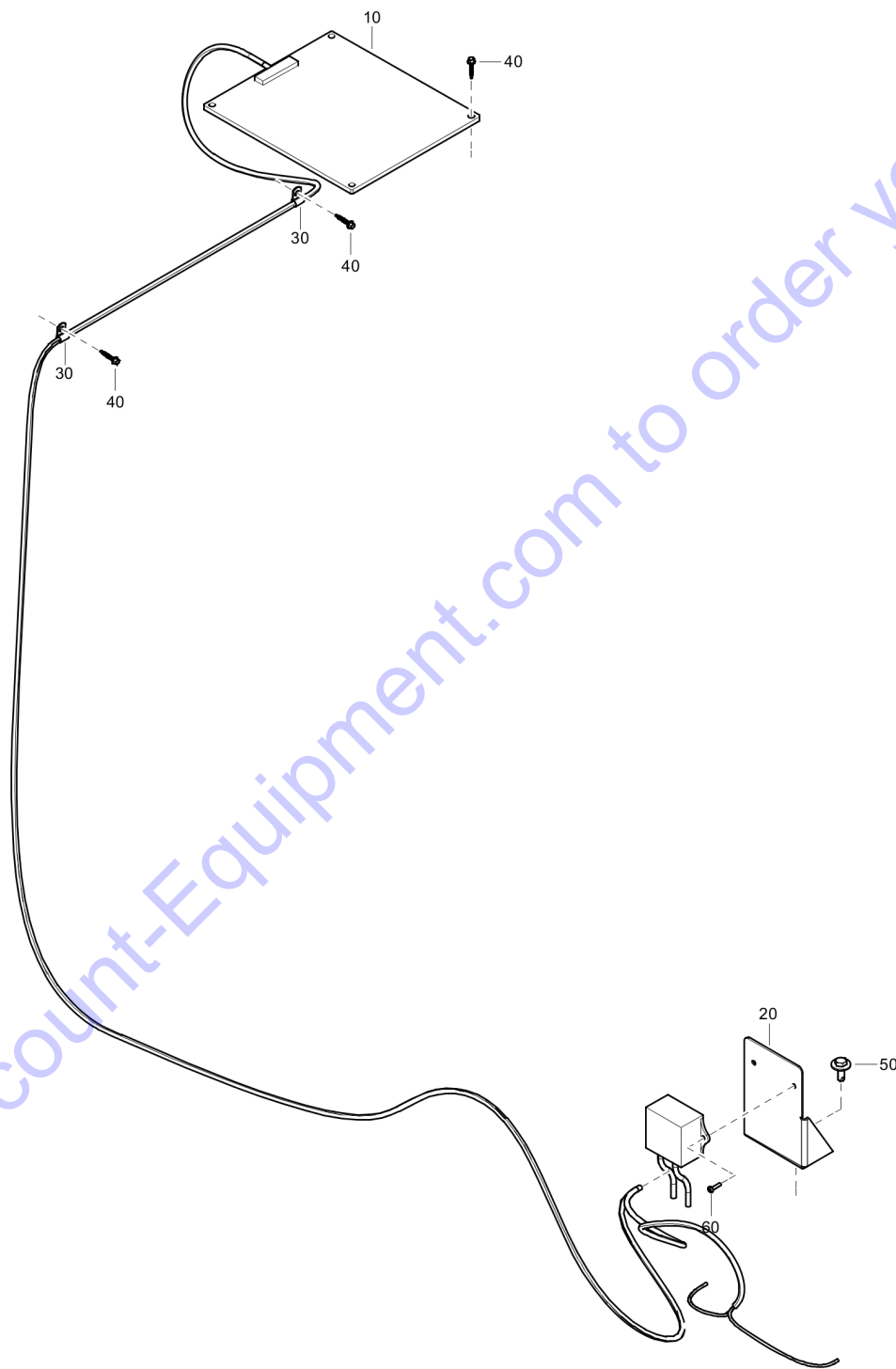
Id	Qty	Number	Name	Specifications
10	2	1310036049	1/2 COUPLER:QUICK CONN SERS 60	
20	8	1619276600	SCREW-SELF TAP:M 8X 20 HEX HD,	
30	4	0348010107	CABLE TY:M140L X 3.6W, BLACK	
40	4	0571002072	HOSE NIPPLE	
50	2	1310030507	ADAPTER: -8JIC TO NPT BULKHEAD	
60	2	1310036051	PLUG:DUST, 1/2"	
70	2	1310036710	NIPPLE:QUICK DISCONNECT 1/2"	
80	1	1310266710	PANEL:EXTERNAL FUEL BLACK	
90	1	1310031312	LABEL:EXTERNAL FUEL	
100	1	1310266600	MOUNT:EXTERNAL FUEL	
120	1	1604611102	VALVE-FUEL:3-WAY	
130	1	1316010092	LABEL: EFT DIRECTION	
140	1	1089030412	SWITCH	
150	2	0266210700	NUT M5 FZB	
160	2	0211121303	CAP SCREW	
170	2	0301232100	PLAIN WASHER(A) 6.4 X 12 X 1.6	
180	2	0300801900	WIDE FLAT WASHER 5/16"TX(TB)	
190	2	0147132303	BOLT M8*20 FZB	
200	1	1310266633	GUARD:EXTERNAL FUEL	
210	4	0661100039	ARRUELA DE VEDACAO 21,54X28,58	
220	2	0570501085	ADAPTER:.5GM X .5JICM	
230	2	3715634400	ADAPTER:1/2GM TO 3/8JICM ORS	
240	2	1310075360	FITTING: 90° 3/8 JICX3/8 BARB	
250	2	1310076310	FITTING:90DEG .25JIC X .25BARB	
260	2	1310030979	ADAPTER:1/2GM X 1/4JICM	
270	1	1310031325	LABEL:FUEL SUPPLY RETURN	
280	3	1310031197	HOSE:.25IDX.09W,RUBBER,POLYMER	
290		1310036364	HOSE: .38ID	
300	6	1310255932	HOSE:.50+ID X .75+OD	
310	1	8915002180	INSTRUCTION	



Id	Qty	Number	Name	Specifications
10	1	1316113981	BAFFLE ASSEMBLY SUNBELT	
20	1	1316115980	ROOF ASSEMBLY	
30	1	1316114481	FRONT CANOPY SUNBELT	
60	1	1316115700	CANOPY:REAR PE XAS 440/400	
70	1	1316115600	LOUVER:REAR PE XAS 400/440	
80	1	1316115500	BUMPER:REAR PE XAS 440/400	
90	4	1316010122	WING SCREW:M8 X 35MM \$STL	
100	2	1316114600	PLATE:LATCH BASE XAS400/440 JD	
110	1	1316115200	SUPPORT:BACK BODYWORK TOP	
120	2	1316115300	SUPPORT:BACK BODYWORK SIDES	
130	2	1316116000	REAR CANOPY SUPPORT BRACKET	
140	1	1316139000	SUPPORT:LIFT BAIL-ROOF XAS400	
150	8	1310032778	SUPPORT:BALL STUD,.312-18 THD	
160	2	1310074170	SEAL-DOOR:PE 400 FRONT	
170	2	1310074171	SEAL-DOOR:PE 400 REAR	
180	4	1310074176	STRUT:GAS DOOR LIFT M10 BALL	
190	30	1310074332	FASTENER:PINE-TREE .197DX.70L	
200	4	1310075049	BUMPER:PUSH-IN RUBBER PE400	
210	8	1310075051	RIVET-POP:.187DX1.075L PE400	
220	1	1310080865	KIT-CANOPY:TOP PE 400 SUNB GRN	
230	2	1310118100	HINGE:REAR XAS400 PE	
240	1	1310118200	HINGE:R FRONT XAS400 PE	
250	1	1310118300	HINGE:L FRONT	
260	4	1310118400	PLATE:HINGE	
270	4	1310127900	PLATE:DOOR STRUT PE400	
280	4	1310128000	PLATE:STIRRUP BACKING	
290	6	1310128100	STUD-BALL:BRACKET PE400	
300	2	1310128400	BASE PLATE:XAS400 PE	
310	2	1310128510	BRACKET:FRAME DOOR LOCK 400PE	
320	2	1310888700	BRACKET:DOOR LOCK XAS400PE	
330	4	0147121403	SCREW	
340	8	0147124403	HEX. HEAD SCREW M6 X 12	
360	8	0147132303	BOLT M8*20 FZB	
370	4	0147132803	HEXAGON BOLT	
380	13	0147132903	SCREW	
390	8	0147133403	HEX. BOLT M8X70X8.8	
400	8	0216132403	SCREW:M8X22,SOC HD,CS,\$STL	
410	12	0226991527	BOLT	
420	4	0291110700	NUT M5 DIN985 CL8 FZB	
430	24	0291111000	LOCKNUT:M8 W/NYL INS,ZN PL STL	
440	5	0300027621	PLAIN WASHER	
450	18	0300801900	WIDE FLAT WASHER 5/16"TX(TB)	
470	36	0301233500	PLAIN WASHER(A) 8.4 X 16 X 1.6	
480	4	1615860500	STIRRUP	
490	4	1626617100	CATCH	
500	37	1615566400	HEX. HEAD SCREW	
510	2	1619266500	SEAL-BODYWORK:ZT/ZR 45-55	

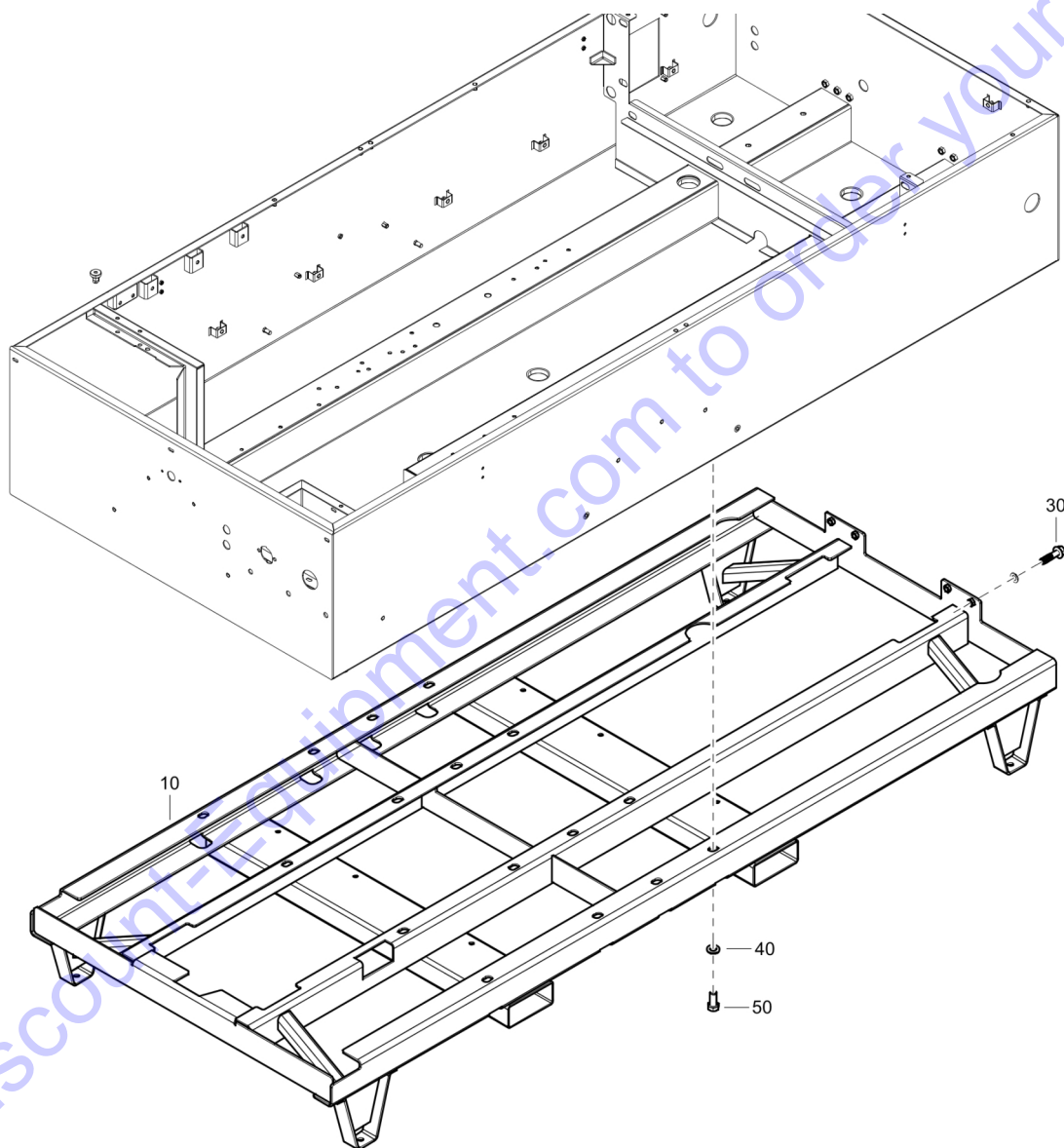
Id	Qty	Number	Name	Specifications
520	4	1619276600	SCREW-SELF TAP:M 8X 20 HEX HD,	
530	2	0147133803	HEXAGON BOLT	
540	8	0301232100	PLAIN WASHER(A) 6.4 X 12 X 1.6	

Go to Discount-Equipment.com to order your parts



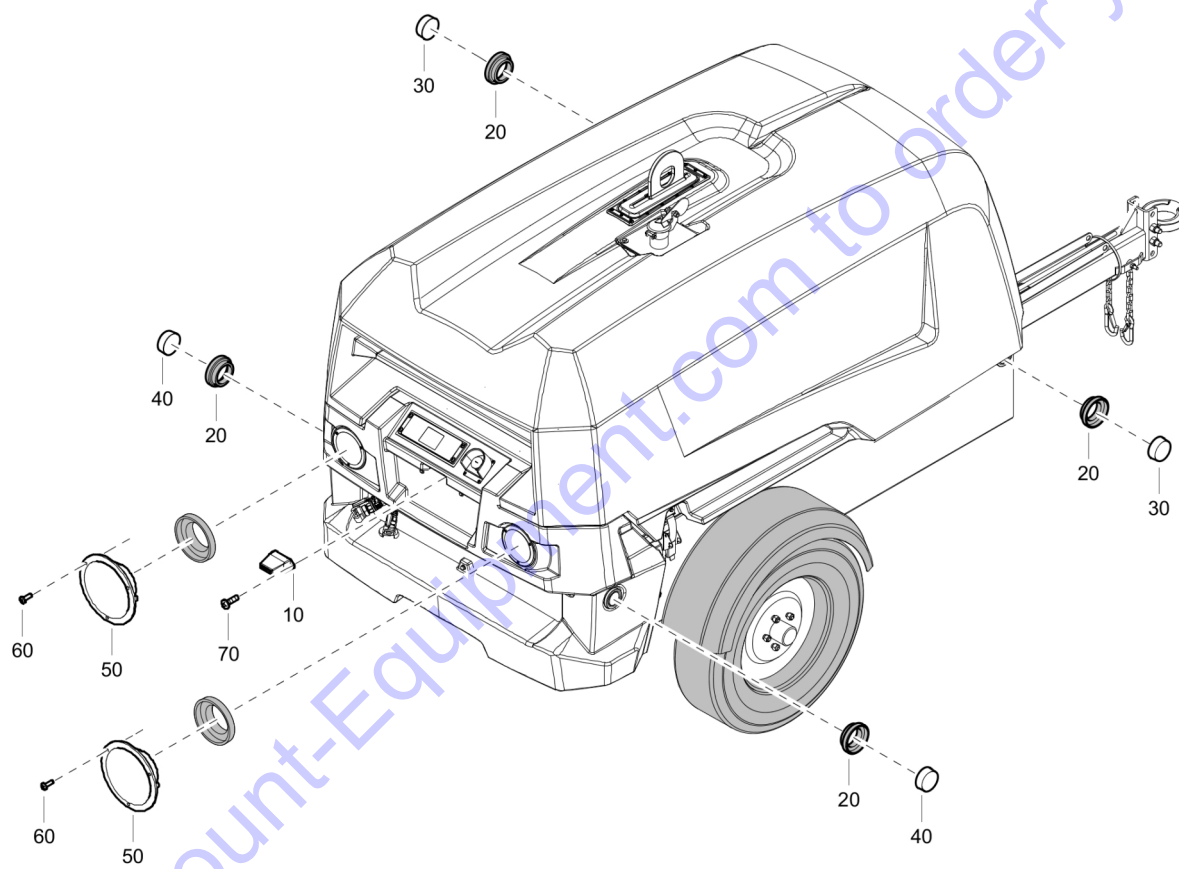
Id	Qty	Number	Name	Specifications
10	1	1310076559	PANEL:SOLAR CHARGER, 7W	
20	1	1316215100	BRACKET:SOLAR CHARGER	
30	2	1310034983	CLAMP:XAS 96JDU DOOR STAY	
40	6	1316010079	SCREW:DRILL,#8-18 X 1" HEX FZB	
50	2	1615566400	HEX. HEAD SCREW	
60	2	0160099611	CROSS REC SCREW	

Go to Discount-Equipment.com to order your parts



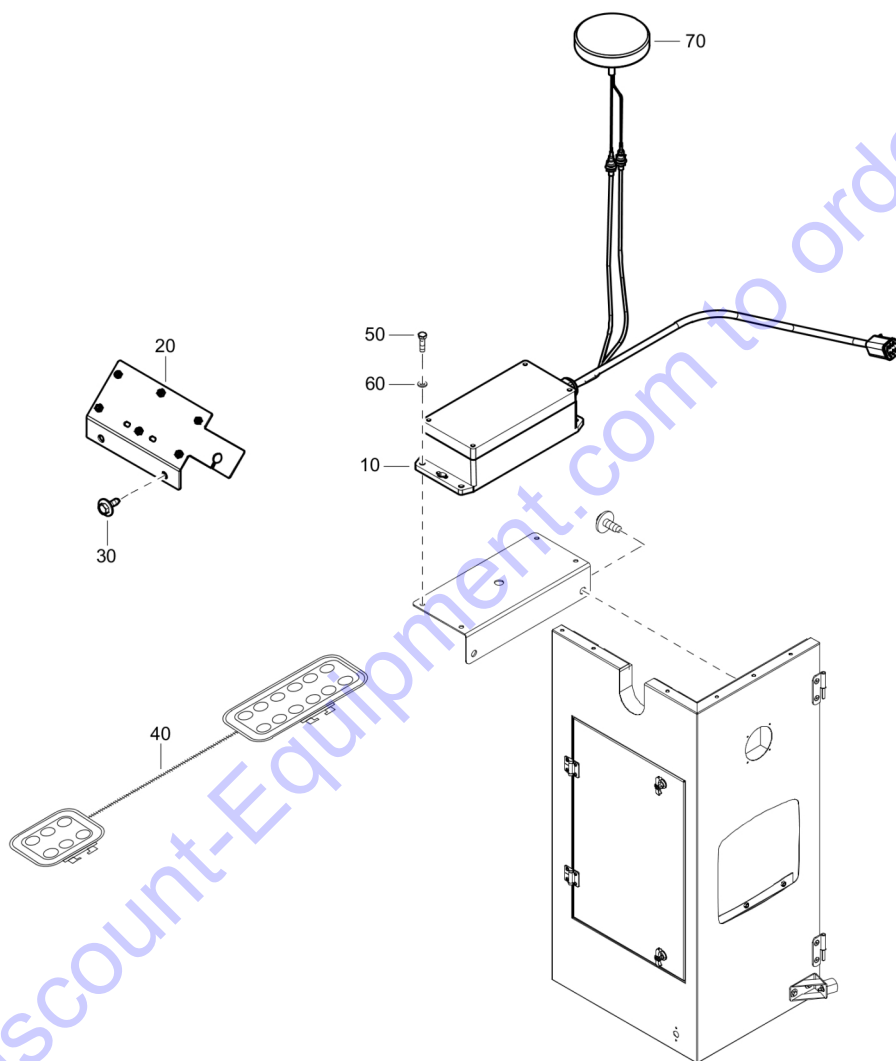
Id	Qty	Number	Name	Specifications
10	1	1316157000	SKID:OPTION SIZE 1	
30	4	1316010183	SCREW: .500-13X2.00L HXFLHD	
40	16	0301237800	PLAIN WASHER	
50	16	0147147603	SCREW:M16X 35;HEX HD,ZN PLT,\$S	

Go to Discount-Equipment.com to order your parts



Id	Qty	Number	Name	Specifications
10	1	1310036971	LAMP:LICENSE PLATE	
20	4	1310415500	GROMMET:2" SIDE MARKER LIGHTS	
30	2	1310414300	REFLECTOR:AMBER	
40	2	1310414200	REFLECTOR: RED	
50	2	1310416600	LAMP:STOP-TURN TAIL,4" W/RING,	
60	6	1310075725	SCREW:DRILL, M4.2X16MM CRSSPAN	
70	2	0160099611	CROSS REC SCREW	

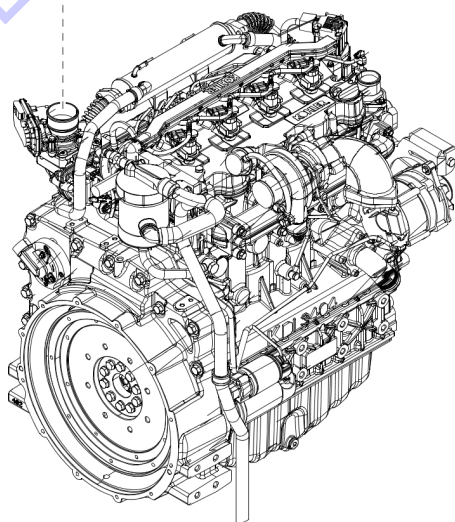
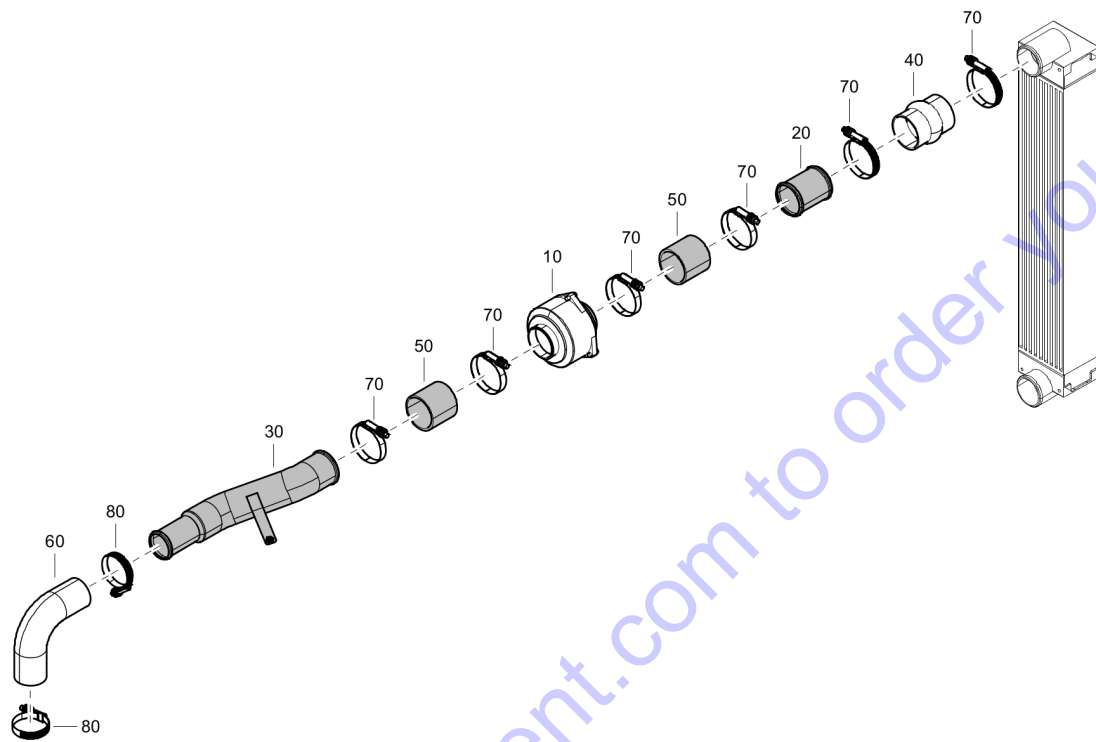
Go to Discount-Equipment.com to order your parts



Go to Discount-Equipment.com to order your parts

Id	Qty	Number	Name	Specifications
10	1	1638886200	MODULE	
20	1	1316175100	TELEMATICS MOUNTING PLATE	
30	2	1615566400	HEX. HEAD SCREW	
40	1	1310219401	WIRE HARNESS:FLEETLINK JUMPER	
50	4	0147120703	HEX. HEAD SCREW	
60	4	0301231800	WASHER D5*10	
70	1	1089959309	ANTENNA	

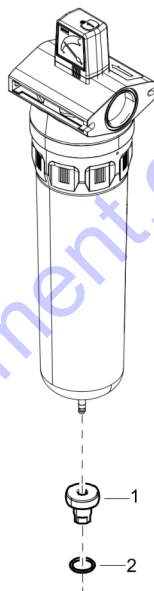
Go to Discount-Equipment.com to order your parts



Go to Discount-Equipment.com to order your parts

Id	Qty	Number	Name	Specifications
10	1	1310600132	VALVE:INLET SHUTDOWN 3"	
20	1	1316202500	PIPE:CAC AIS 3"X4" STRAIGHT	
30	1	1316202510	Pipe	
40	1	1310072311	CONNECTOR:CAC 3.00 HUMP	
50	2	1310600137	HOSE:3"OD X 3"L, CAC SILICONE	
60	1	1310075382	ELBOW:CAC 2.5 ID	
70	6	1310075626	CLAMP-HOSE:M71/95D CONST-TORQ	
80	2	1310075624	CLAMP-HOSE:M59/83D CONST-TORQ	

Go to Discount-Equipment.com to order your parts



Id	Qty	Number	Name	Specifications
1	1	1310963801	Drain port	
2	1	1310963850	O-ring	

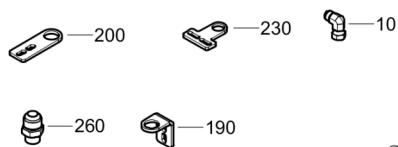
Go to Discount-Equipment.com to order your parts

Not Illustrated			
Ref	Part Number	Designation	Qty
6	1310030059	VALVE-FLOW	1

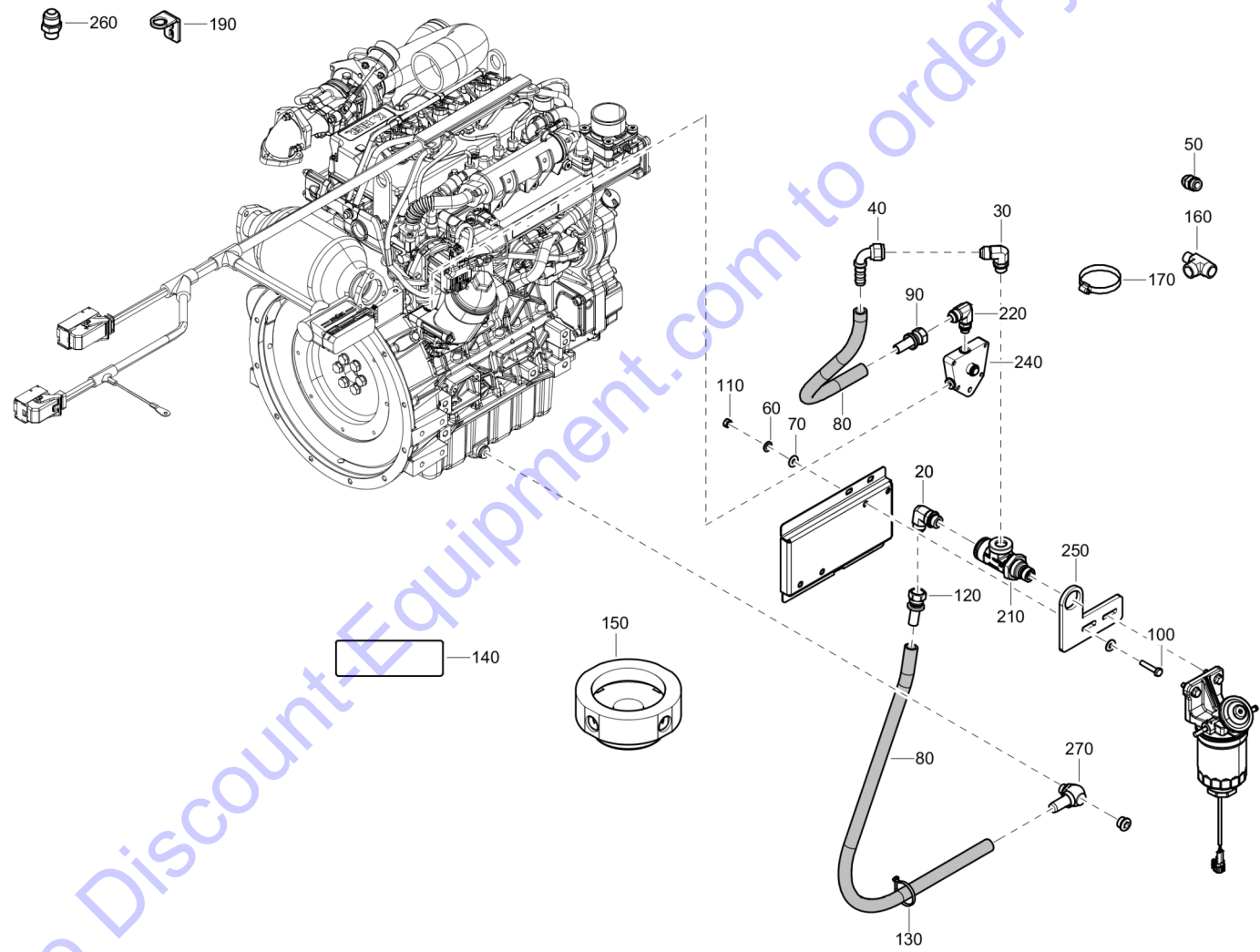
Go to Discount-Equipment.com to order your parts

Id	Qty	Number	Name	Specifications
6	2	1310030059	VALVE-FLOW	

Go to Discount-Equipment.com to order your parts

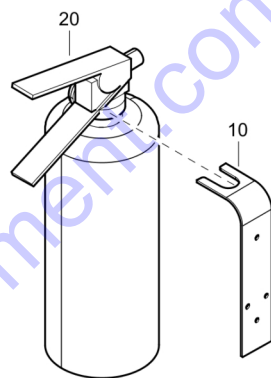


Not illustrated			
Ref	Part Number	Designation	Qty
180	1316020339	MBLT, M8-1.25 X 50	1



Go to Discount-Equipment.com to order your parts

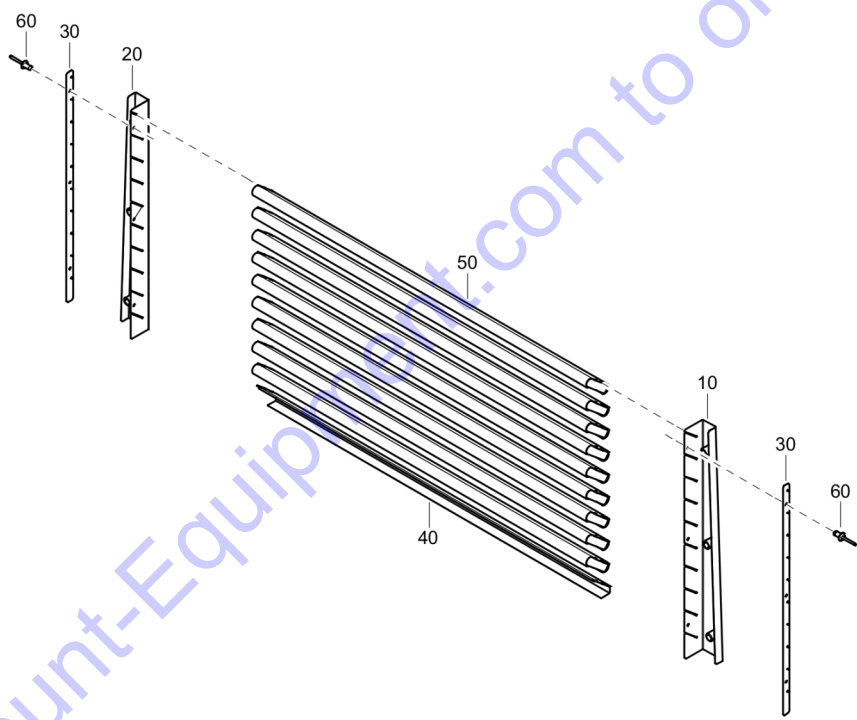
Id	Qty	Number	Name	Specifications
10	1	1316020311	Adapter elbow, swivel 90 10m	
20	1	1316020312	Adapter elbow, 90 10m stor -	
30	1	1316020313	Adapter elbow, 90 8m stor - 1	
40	1	1316020315	Adapter, 8m stor - 10m jic	
50	1	1316020316	Adapter, 10m stor - 10m jic	
60	2	1316020317	Wshr, helical lock - 3/8"	
70	4	1316020318	Mwshr, flat - m8	
80	120	1316020319	Hose, push-on (barb), 5/8 id (
90	4	1316020320	Hose fitting, str #10 socketle	
100	2	1316020322	Mblt, m8-1.25 x 40, h, s, 8.8,	
110	2	1316020324	Nut, m8-1.25, hx, st, g8, zn	
120	1	1316020325	Hose fitting, elb #10 socketle	
130	1	1316020326	Nylon cable ties- 3 ea 102037-	
140	1	1316020327	"quickfit on board" sticker	
150	1	1316020344	FILTER RING ASSY, JOHN DEERE M	
160	1	1316020372	TEE, #10 BARBED TEE, SPLICER (
170	3	1316020373	HOSE CLAMP, #10, WORM-DRIVE (3	
180	2	1316020339	Mblt, m8-1.25 x 50, h, s, 10.9	
190	1	1316020329	Bracket, 90 for 106403 forged	
200	1	1316020330	Bracket, flat for 106403 forge	
210	1	1316020331	Small qf valve; forged; 1/2" f	
220	1	1316020346	Check valve, elbow, 90 8m sto	
230	1	1316020332	Bracket, flat tee for 106403 f	
240	1	1316020333	Bracket, 90 tee for 106403 fo	
250	1	1316020334	BRACKET, EXTRA LONG, 90 "L"	
260	1	1316020347	ADAPTER, M18X1.5M (ISO 6149-O-	
270	1	1316020348	ADAPTER ELBOW, 90 M18X1.5M (I	



Go to Discount-Equipment.com to order your parts

Id	Qty	Number	Name	Specifications
10	1	1316162110	BRACKET:MNT FOR FIRE EXT 2.5AB	
20	1	1316162105	FIRE EXTINGUISHER:2.5LB ABC VM	

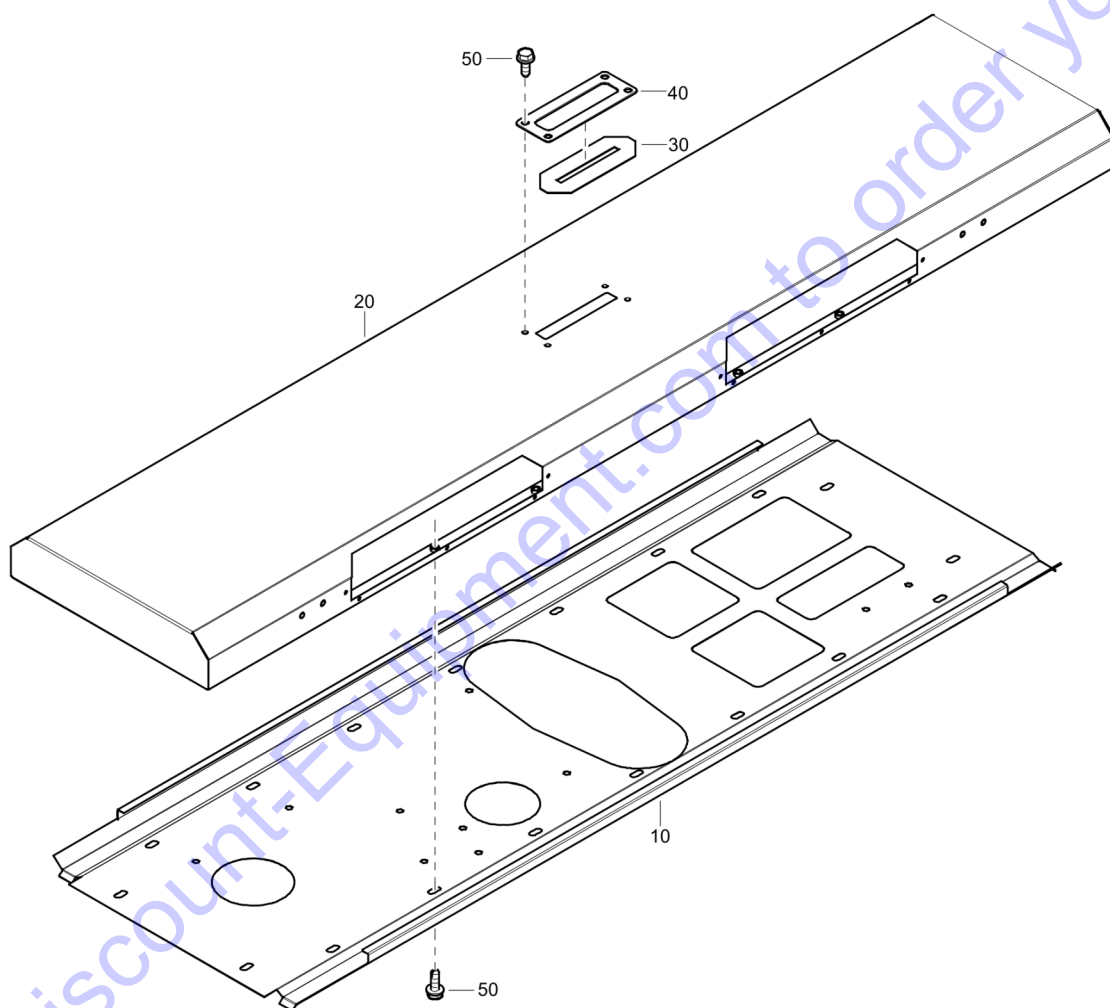
Go to Discount-Equipment.com to order your parts



Go to Discount-Equipment.com to order your parts

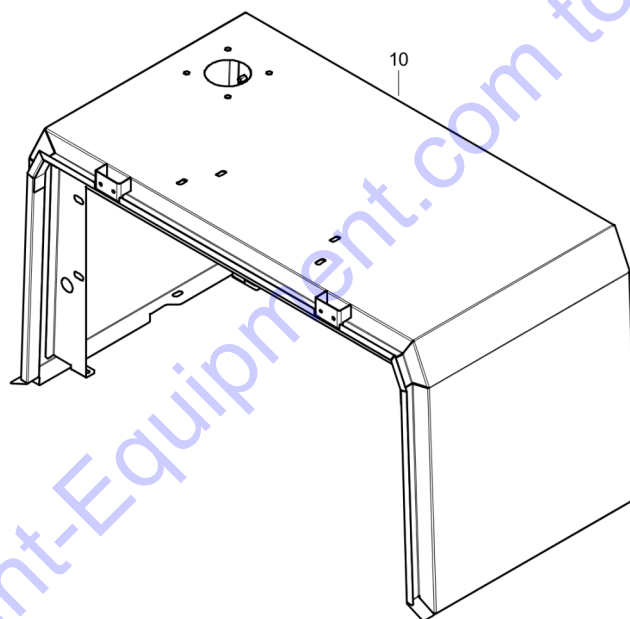
Id	Qty	Number	Name	Specifications
10	1	1316113990	Plate: baffle side sunbelt	
20	1	1316114090	Plate: baffle side sunbelt	
30	2	1316114190	Plate: baffle side retainer	
40	1	1316114290	Plate: baffle base sunbelt	
50	9	1316114390	Baffle sunbelt	
60	6	0129312100	RIVET	

Go to Discount-Equipment.com to order your parts



Id	Qty	Number	Name	Specifications
10	1	1316115950	Roof: lower	
20	1	1316115960	Roof: upper assembly	
30	1	1310074977	GASKET:LIFTING BALE XAS400	
40	1	1310074816	PLATE:LIFTIN	
50	20	1619276600	SCREW-SELF TAP:M 8X 20 HEX HD,	

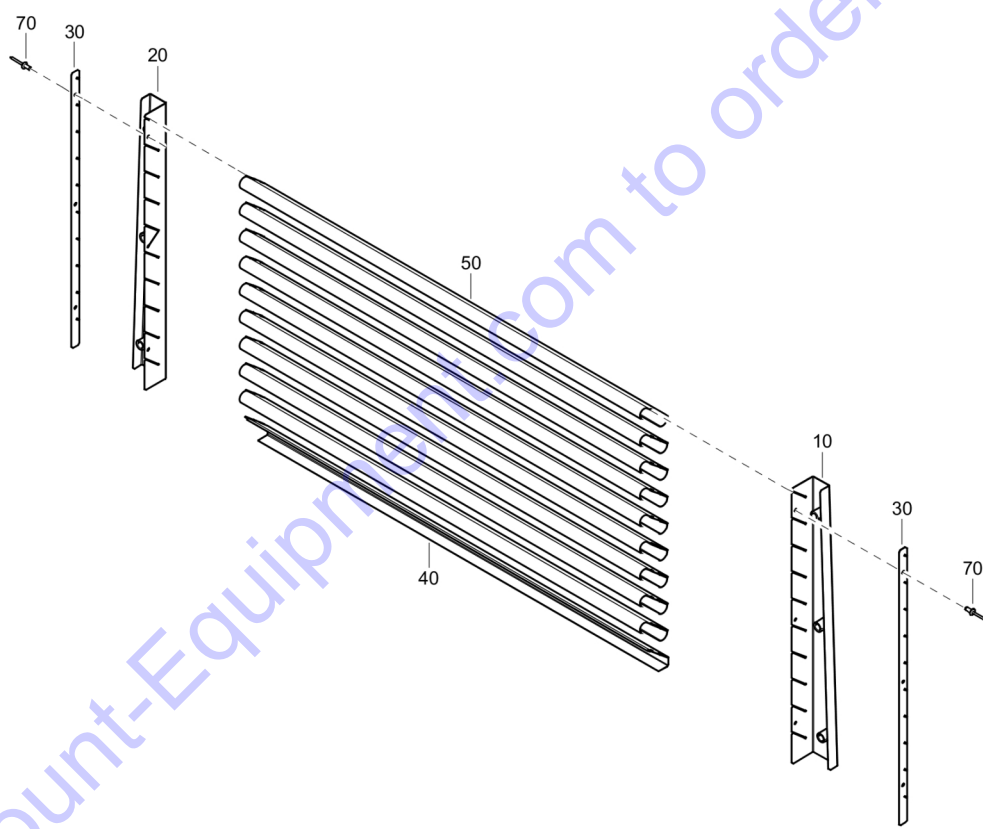
Go to Discount-Equipment.com to order your parts



Go to Discount-Equipment.com to order your parts

Id	Qty	Number	Name	Specifications
10	1	1316114490	Front canopy: sunbelt	

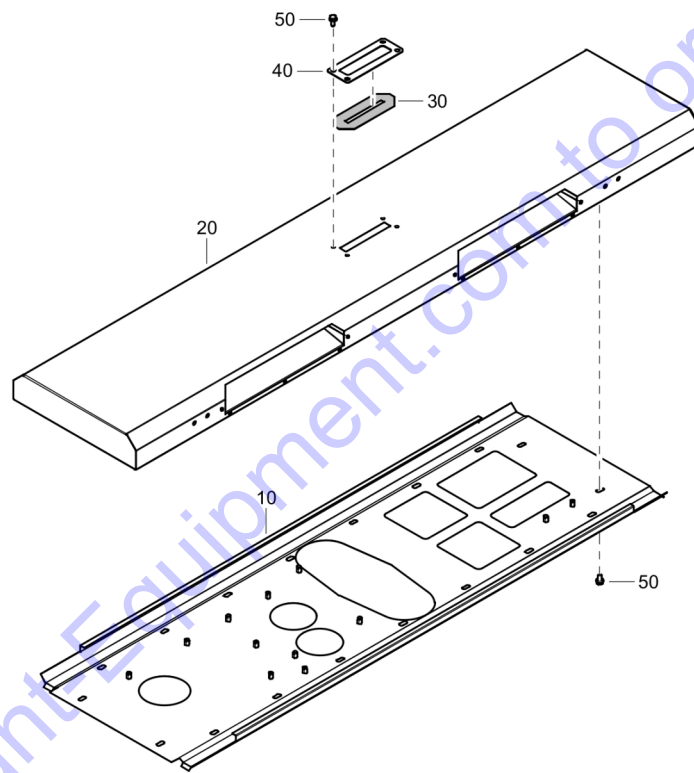
Go to Discount-Equipment.com to order your parts



Go to Discount-Equipment.com to order your parts

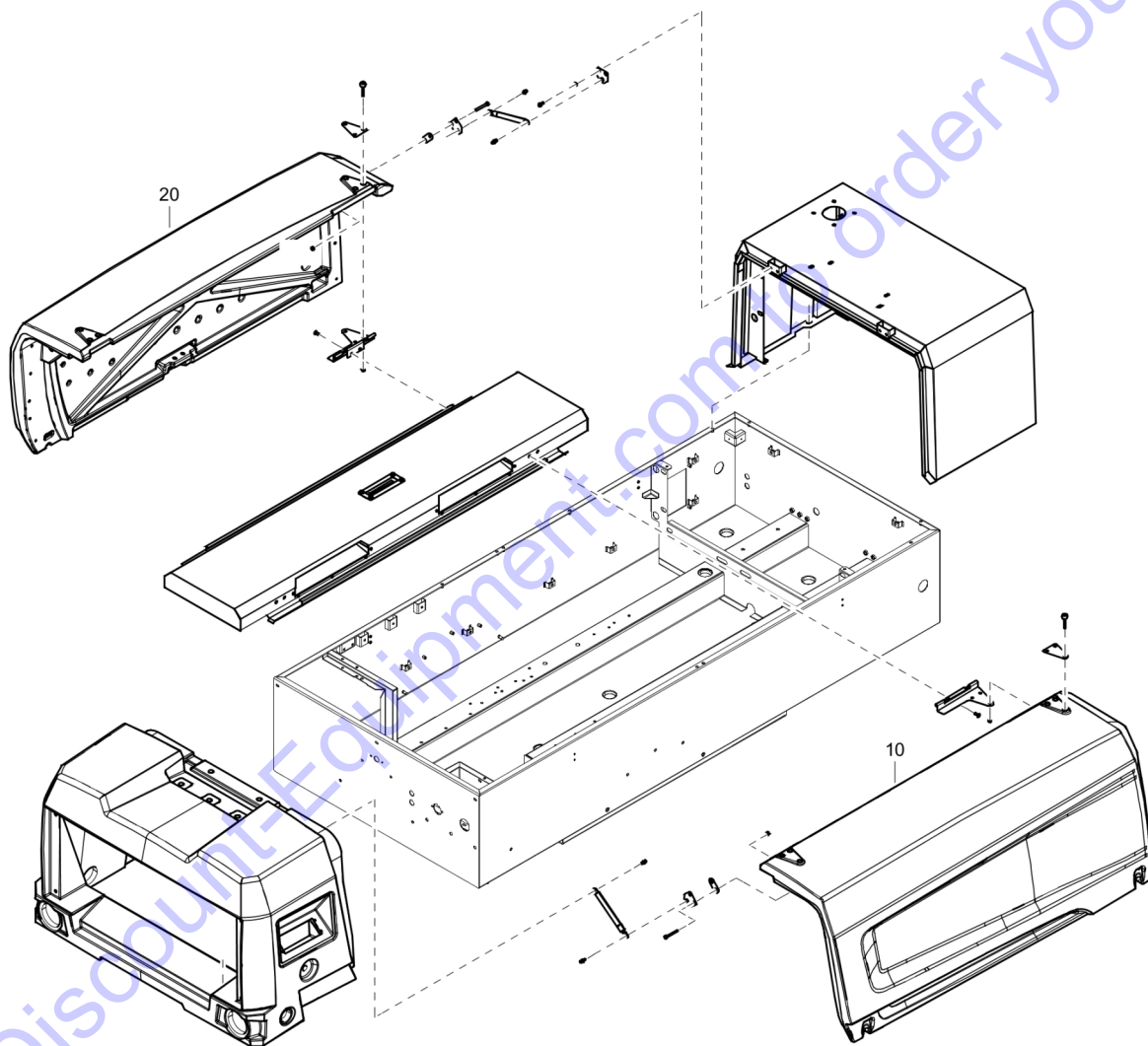
Id	Qty	Number	Name	Specifications
10	1	1316176000	PLATE:BAFFLE SIDE RED	
20	1	1316176005	PLATE:BAFFLE SIDE RED	
30	2	1316176010	PLATE:BAFFLE SIDE RETAINER RED	
40	1	1316176015	PLATE:BAFFLE BASE	
50	9	1316176020	PLATE:BAFFLE LOUVER RED	
70	6	0129312100	RIVET	

Go to Discount-Equipment.com to order your parts



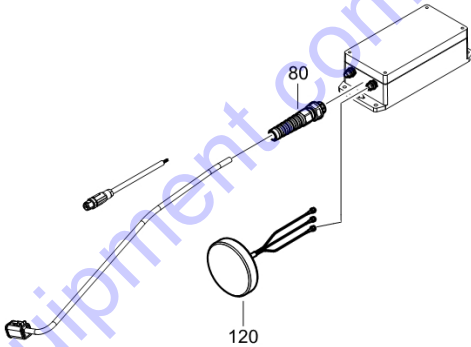
Id	Qty	Number	Name	Specifications
10	1	1316176160	ROOF:LOWER BLACK CPS400 KDI	
20	1	1316176150	ROOF:UPPER ASSEMBLY BLACK	
30	1	1310074977	GASKET:LIFTING BALE XAS400	
40	1	1316176110	Plate:spine lifting bale slot	
50	20	1619276600	SCREW-SELF TAP:M 8X 20 HEX HD,	

Go to Discount-Equipment.com to order your parts



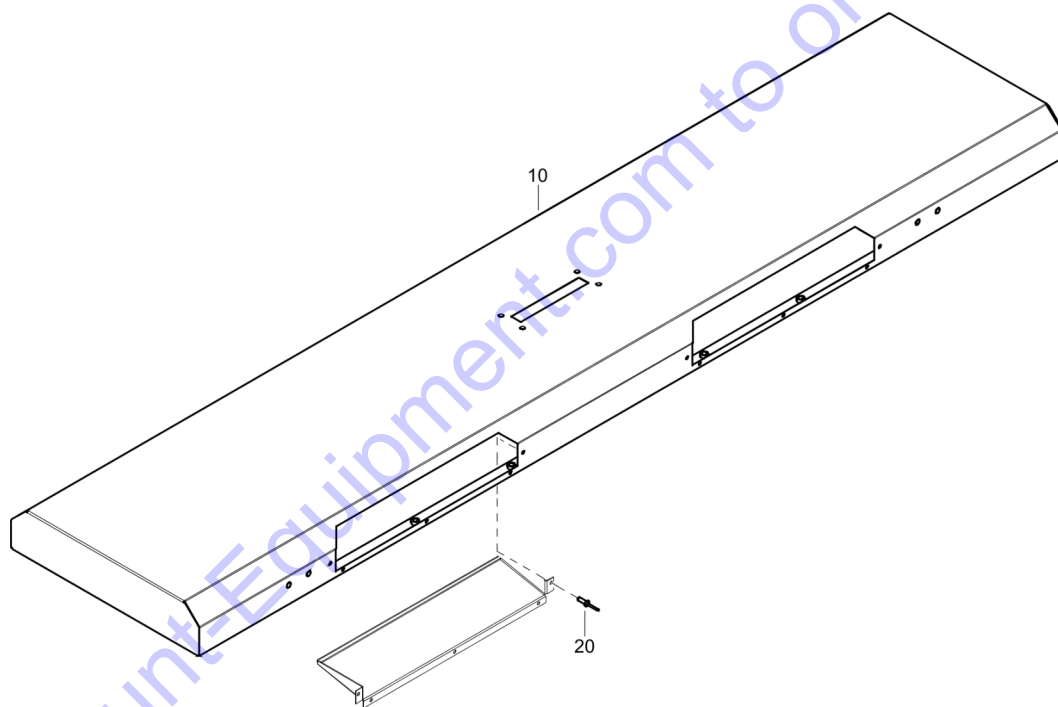
Id	Qty	Number	Name	Specifications
10	1	1316176510	Door:right	
20	1	1316176520	Door:left	

Go to Discount-Equipment.com to order your parts



Id	Qty	Number	Name	Specifications
14	1	1638911500	ANTENNA	

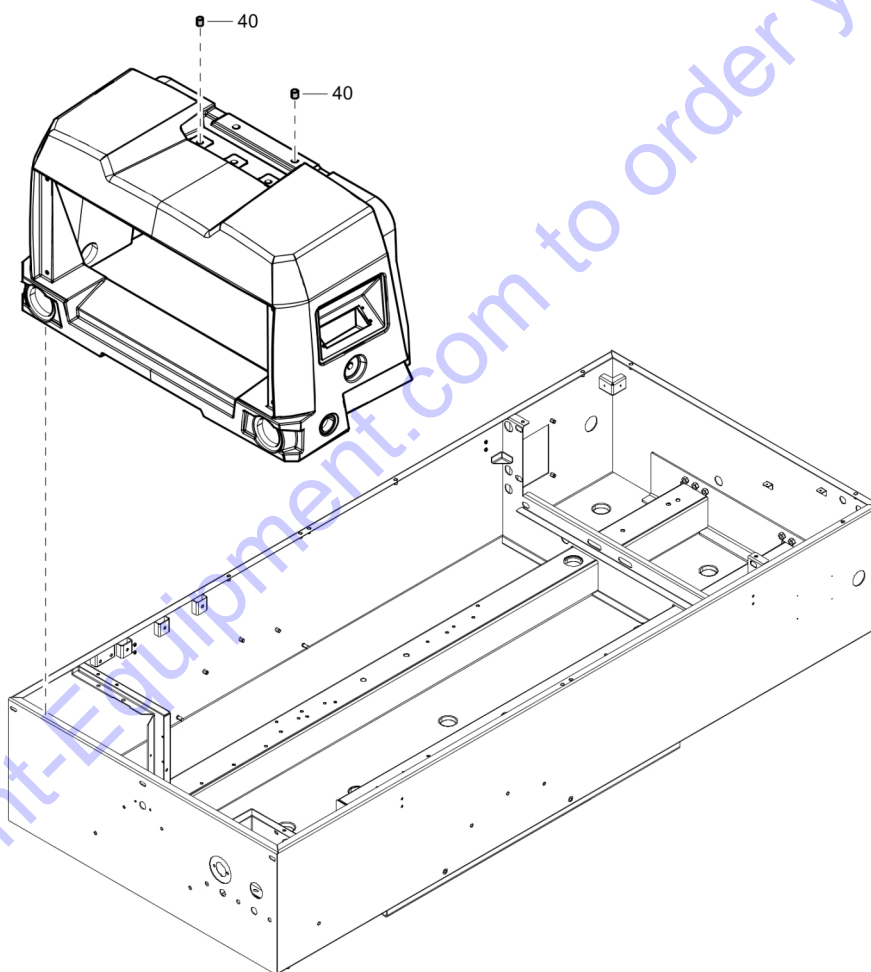
Go to Discount-Equipment.com to order your parts



Go to DiscountEquipment.com to order your parts

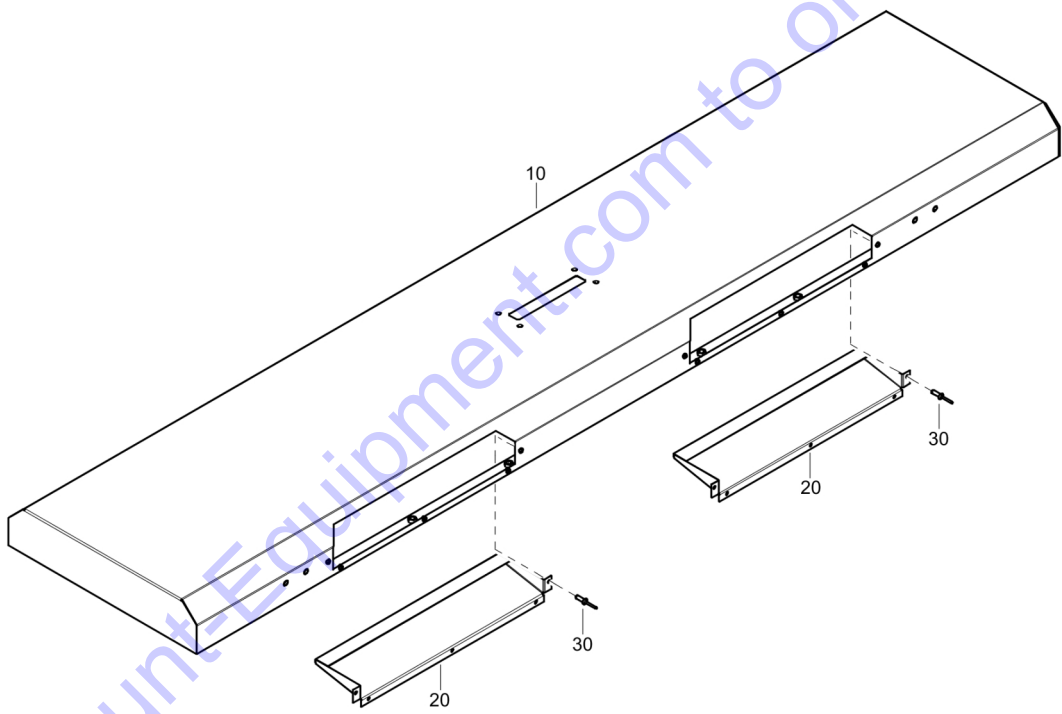
Id	Qty	Number	Name	Specifications
10	1	1316115900	Roof: upper	
20	20	1310032787	RIVET-POP.:187DX.375L(.126/.25	

Go to Discount-Equipment.com to order your parts



Id	Qty	Number	Name	Specifications
40	5	1316115800	Spacer	

Go to Discount-Equipment.com to order your parts



Go to DiscountEquipment.com to order your parts

Id	Qty	Number	Name	Specifications
10	1	1316176100	ROOF:UPPER BLACK CPS 400 KDI	
20	4	1316176105	ROOF:RAIN GUARD BLACK	
30	20	1310032787	RIVET-POP: .187DX.375L(.126/.25	

Go to Discount-Equipment.com to order your parts

Part no	Part no	Part no	Part no	Part no	Part no
	1316205605		1316205600		Maintenancekit
	1316205605		Maintenancekit		Engine_oil_Genoil_13'
	Engine_oil_Genoil_13'		Compressor_oil_Geno		
	Maintenancekit		1316205600		Compressor_oil_Geno
	1316010101		1316205605		1316205605
	1316205605		1316205605		1316205605
	1316205605		1316205605		1316205605
	1316205600		1316205600	0070600204	1317000297
0070600205	1317000182	0070600205	1317000297	0070600205	1317000297
0070600205	1317000297	0070600206	1317000297	0075402569	1317000274
0075402569	1317000260	0075402569	1317000261	0075402569	1317000261
0075402569	1317000182	0075402569	1317000261	0075402569	1317000274
0075402569	1317000261	0075402569	1317000261	0075402569	1317000261
0075402569	1317000261	0101195140	1317000270	0129310300	1317000295
0129312100	1316113981	0129312100	1316176080	0144324803	1317000315
0144324803	1317000261	0147111057	1317000270	0147111057	1317000297
0147120703	1317000291	0147120903	1317000315	0147121403	1317000262
0147121403	1317000322	0147124403	1317000322	0147124403	1317000262
0147124603	1317000187	0147124603	1317000313	0147124703	1317000315
0147124703	1317000298	0147124703	1317000261	0147124903	1317000298
0147125003	1317000298	0147132103	1317000182	0147132103	1317000274
0147132203	1317000315	0147132203	1317000274	0147132303	1317000035
0147132303	1317000322	0147132303	1317000262	0147132303	1317000481
0147132503	1317000269	0147132503	1317000040	0147132503	1317000313
0147132603	1317000273	0147132603	1317000271	0147132803	1317000322
0147132803	1317000262	0147132803	1317000297	0147132803	1317000273
0147132903	1317000262	0147132903	1317000322	0147133103	1317000261
0147133403	1317000262	0147133403	1317000322	0147133603	1317000182
0147133803	1317000262	0147133803	1317000322	0147133803	1317000297
0147136203	1317000035	0147136303	1317000313	0147136303	1317000035
0147136403	1317000270	0147136503	1317000270	0147139803	1317000273
0147140003	1317000269	0147140003	1317000261	0147140103	1317000269
0147140103	1317000261	0147140203	1317000035	0147140303	1317000270
0147140403	1317000261	0147147403	1317000313	0147147603	1317000183
0147147603	1317000315	0147147603	1317000269	0147196276	1317000182
0160099611	1317000553	0160099611	1317000040	0160099611	1317000482
0160099697	1317000296	0211121303	1317000481	0211132503	1317000274
0211140800	1317000270	0211196407	1317000270	0211196417	1317000270
0211196482	1317000270	0211585513	1317000270	0215000373	1317000313
0216132403	1317000322	0216132403	1317000262	0226991527	1317000322
0226991527	1317000262	0263321500	1317000190	0266210700	1317000481
0266210800	1317000187	0266211000	1317000182	0266211000	1317000298
0266211000	1317000274	0268320500	1317000035	0291110700	1317000322
0291110700	1317000315	0291110700	1317000262	0291111000	1317000262
0291111000	1317000322	0291111000	1317000273	0291111000	1316020147
0292130500	1317000182	0292130500	1317000261	0292130500	1317000315
0300027621	1317000322	0300027621	1317000262	0300027623	1317000035
0300027666	1317000182	0300027666	1317000273	0300027666	1317000298
0300801900	1317000322	0300801900	1317000274	0300801900	1317000035
0300801900	1317000481	0300801900	1317000262	0301231800	1317000291
0301231800	1317000315	0301232100	1317000322	0301232100	1317000262
0301232100	1317000261	0301232100	1317000315	0301232100	1317000182
0301232100	1317000481	0301232100	1317000313	0301232100	1317000298
0301232700	1317000182	0301233500	1317000315	0301233500	1317000297
0301233500	1317000040	0301233500	1317000271	0301233500	1317000269
0301233500	1317000182	0301233500	1317000322	0301233500	1317000313
0301233500	1316020147	0301233500	1317000274	0301233500	1317000261
0301233500	1317000262	0301233500	1317000035	0301233500	1317000273
0301234400	1317000273	0301234400	1317000270	0301234400	1317000035
0301234400	1317000313	0301234400	1317000297	0301235800	1317000269
0301235800	1317000261	0301235800	1317000270	0301237800	1317000315
0301237800	1317000313	0301237800	1317000183	0333212100	1317000187
0333217422	1317000035	0333222500	1317000035	0333223000	1317000035
0333223600	1317000035	0335216900	1317000270	0337715200	1317000270

Part no	Part no	Part no	Part no	Part no	Part no
0337719800	1317000270	0347610019	1317000271	0347610019	1317000274
0347610021	1317000271	0347610400	1317000273	0347610900	1317000274
0347611900	1317000271	0347612100	1317000271	0348010107	1317000274
0348010107	1317000481	0348010212	1317000261	0348010212	1317000298
0348010212	1317000040	0348010212	1317000193	0348010212	1317000190
0348010212	1317000191	0348010212	1317000192	0348010212	1317000274
0348010212	1317000182	0348010212	1317000273	0502109021	1317000270
0504020013	1317000270	0504020013	Compressorparts	0570501085	1317000481
0571002072	1317000481	0571003541	1317000182	0581000033	1317000297
0581000035	1317000297	0581000035	1317000182	0581000038	1317000297
0581000047	1317000297	0581000052	1317000297	0581120023	1317000182
0581120029	1317000297	0584008009	1317000297	0584231001	1317000297
0603420203	1317000297	0605881600	1317000298	0653106200	1317000182
0653111500	1317000270	0653116500	1317000182	0653116500	1317000050
0653118900	1317000182	0661100029	1317000313	0661100038	1317000182
0661100038	1317000297	0661100039	1317000481	0661104900	1317000297
0661106200	1317000182	0663210322	1317000270	0663210616	1317000270
0663210784	1317000270	0663210949	1316020146	0663311700	1317000270
0663312900	1317000035	0663611100	1316020147	0663711500	1316020147
0663712700	1317000313	0663713200	1317000313	0663713400	1317000035
0663713400	1317000313	0663713500	1317000035	0663713800	1317000270
0663714100	1317000270	0663715000	1317000297	0686371601	1317000182
0686420103	1317000297	0686423018	1317000270	0803501210	1317000182
0823005009	1317000297	0823005009	Compressorparts	1079990361	1317000295
1088001902	1317000298	1088001902	1317000035	1088130105	1317000040
1089030412	1317000481	1089057470	1317000298	1089057470	Compressorparts
1089942910	1317000298	1089943003	1317000298	1089951504	1317000297
1089951504	Compressorparts	1089959309	1317000291	1202867300	1317000187
1310030011	1317000315	1310030059	1310050121	1310030081	1317000297
1310030103	1317000274	1310030396	1317000315	1310030457	1317000297
1310030507	1317000481	1310030585	1310312501	1310030978	1317000190
1310030978	1317000192	1310030978	1317000193	1310030978	1317000191
1310030979	1317000481	1310031166	1317000298	1310031197	1317000481
1310031197	1317000274	1310031197	1317000273	1310031266	1317000040
1310031312	1317000481	1310031325	1317000481	1310031452	1317000315
1310032151	1317000182	1310032384	1317000273	1310032384	1317000274
1310032384	1317000261	1310032384	1317000260	1310032580	1317000035
1310032778	1317000262	1310032778	1317000322	1310032787	1316115960
1310032787	1317000187	1310032787	1316176150	1310032964	1310312358
1310033046	1317000315	1310033194	1317000315	1310034149	1317000191
1310034149	1317000193	1310034208	1317000315	1310034211	1310312359
1310034289	1317000298	1310034441	1317000192	1310034441	1317000190
1310034579	1317000297	1310034983	1317000553	1310035202	1317000182
1310035372	1317000295	1310035525	1317000274	1310035556	1317000274
1310035561	1317000261	1310035574	1317000040	1310035574	1317000298
1310035608	1317000182	1310036049	1317000481	1310036051	1317000481
1310036364	1317000481	1310036364	1317000273	1310036364	1317000273
1310036557	1317000315	1310036557	1317000274	1310036557	1317000298
1310036710	1317000481	1310036971	1317000482	1310036971	1317000040
1310050304	1317000182	1310050554	1317000261	1310070102	1317000295
1310070141	1317000295	1310070617	1317000273	1310070800	1317000295
1310072216	1310312005	1310072256	1317000297	1310072311	1317000480
1310072311	1317000274	1310072311	1317000258	1310072342	1317000261
1310072345	1317000261	1310072437	1317000271	1310072869	1317000261
1310072952	1317000182	1310073196	1317000274	1310073201	1317000261
1310073837	1317000191	1310073837	1317000192	1310073837	1317000193
1310073837	1317000190	1310073837	1317000182	1310074084	1317000297
1310074084	1317000182	1310074140	1317000296	1310074142	1317000296
1310074170	1317000322	1310074171	1317000322	1310074176	1317000322
1310074176	1317000262	1310074332	1317000322	1310074428	1317000298
1310074470	1317000193	1310074470	1317000191	1310074470	1317000192
1310074470	1317000190	1310074637	1317000274	1310074645	Engineparts
1310074645	1317000273	1310074816	1316115980	1310074837	1317000261
1310074881	1317000035	1310074977	1316115980	1310074977	1316176180

Part no	Part no	Part no	Part no	Part no	Part no
1310075029	1310322352	1310075049	1317000322	1310075049	1317000262
1310075051	1317000322	1310075051	1317000262	1310075322	1317000295
1310075360	1317000481	1310075382	1317000258	1310075382	1317000480
1310075623	1317000274	1310075624	1317000258	1310075624	1317000480
1310075626	1317000274	1310075626	1317000258	1310075626	1317000480
1310075638	1317000182	1310075725	1317000482	1310075725	1317000040
1310075807	1317000269	1310075808	1317000269	1310075988	1317000182
1310076118	1317000035	1310076187	1317000182	1310076275	1317000298
1310076310	1317000481	1310076559	1317000553	1310080865	1317000322
1310084100	1317000182	1310118100	1317000322	1310118100	1317000262
1310118200	1317000322	1310118200	1317000262	1310118300	1317000322
1310118300	1317000262	1310118400	1317000322	1310118400	1317000262
1310127300	1317000182	1310127900	1317000262	1310127900	1317000322
1310128000	1317000322	1310128000	1317000262	1310128100	1317000262
1310128100	1317000322	1310128400	1317000322	1310128410	1317000262
1310128510	1317000322	1310166700	1317000271	1310169201	1317000315
1310171410	1317000261	1310175631	1317000273	1310175637	1317000273
1310190185	1317000273	1310192250	1317000298	1310198902	1317000313
1310203001	1317000274	1310203011	1317000274	1310203021	1317000274
1310219401	1317000291	1310219701	1317000298	1310221100	1317000296
1310224200	1317000182	1310251175	1317000313	1310253601	1317000298
1310255932	1317000481	1310266489	1317000294	1310266507	1317000182
1310266508	1317000182	1310266600	1317000481	1310266633	1317000481
1310266710	1317000481	1310414200	1317000482	1310414200	1317000040
1310414300	1317000482	1310414300	1317000040	1310415500	1317000482
1310415500	1317000040	1310416600	1317000040	1310416600	1317000482
1310432000	1317000297	1310462900	1317000270	1310469402	1317000187
1310600132	1317000480	1310600137	1317000480	1310600218	1317000315
1310600337	1317000301	1310600338	1317000295	1310600436	1317000295
1310600541	1317000295	1310600560	1317000296	1310600562	1317000296
1310669800	1317000271	1310669900	1317000271	1310677100	1317000182
1310689511	1317000273	1310689711	1317000273	1310697050	1317000035
1310796196	1317000479	1310801700	1317000182	1310822011	1317000313
1310825081	1317000315	1310867600	1317000297	1310888700	1317000322
1310923752	1317000182	1310924378	1317000273	1310924378	Engineparts
1310963801	1310963881	1310963850	1310963881	1310963881	1317000182
1316010001	1317000182	1316010006	1317000182	1316010074	1317000182
1316010079	1317000553	1316010092	1317000481	1316010101	1317000182
1316010122	1317000262	1316010122	1317000322	1316010127	1317000273
1316010130	1317000273	1316010150	1317000296	1316010183	1317000183
1316010232	1317000050	1316010232	1317000316	1316010262	1317000182
1316010275	1317000184	1316010300	1317000182	1316010307	1317000182
1316012500	1317000260	1316013300	1317000298	1316020112	1317000260
1316020114	1317000260	1316020125	1317000262	1316020126	1317000262
1316020127	1317000262	1316020149	1317000295	1316020208	1317000295
1316020214	1317000295	1316020271	1317000301	1316020311	1316010372
1316020311	1317000790	1316020312	1317000790	1316020312	1316010372
1316020313	1316010372	1316020313	1317000790	1316020315	1316010372
1316020315	1317000790	1316020316	1316010372	1316020316	1317000790
1316020317	1317000790	1316020317	1316010372	1316020318	1317000790
1316020318	1316010372	1316020319	1316010372	1316020319	1317000790
1316020320	1316010372	1316020320	1317000790	1316020322	1316010372
1316020322	1317000790	1316020324	1317000790	1316020324	1316010372
1316020325	1317000790	1316020325	1316010372	1316020326	1317000790
1316020326	1316010372	1316020327	1316010372	1316020327	1317000790
1316020329	1317000790	1316020329	1316010372	1316020330	1316010372
1316020330	1317000790	1316020331	1317000790	1316020331	1316010372
1316020332	1316010372	1316020332	1317000790	1316020333	1316010372
1316020333	1317000790	1316020334	1316010372	1316020334	1317000790
1316020339	1317000790	1316020339	1316010372	1316020344	1316010372
1316020344	1317000790	1316020346	1316010372	1316020346	1317000790
1316020347	1316010372	1316020347	1317000790	1316020348	1317000790
1316020348	1316010372	1316020372	1317000790	1316020372	1316010372
1316020373	1316010372	1316020373	1317000790	1316020796	1317000295

Part no	Part no	Part no	Part no	Part no	Part no
1316021285	1317000298	1316021286	1317000298	1316021287	1317000298
1316021600	1317000261	1316112305	1317000269	1316113001	1317000182
1316113101	1317000182	1316113701	1317000035	1316113800	1317000035
1316113981	1317000322	1316113990	1316113981	1316114090	1316113981
1316114190	1316113981	1316114290	1316113981	1316114390	1316113981
1316114481	1317000322	1316114490	1316114481	1316114600	1317000322
1316114610	1317000262	1316115200	1317000322	1316115200	1317000262
1316115300	1317000322	1316115300	1317000262	1316115401	1317000182
1316115500	1317000322	1316115600	1317000322	1316115700	1317000322
1316115800	1316115770	1316115900	1316115960	1316115950	1316115980
1316115960	1316115980	1316115980	1317000322	1316116000	1317000262
1316116000	1317000322	1316116100	1317000182	1316116220	1317000315
1316116300	1317000182	1316117152	1317000274	1316117153	1317000274
1316138782	1317000274	1316138800	1317000313	1316139000	1317000322
1316139000	1317000262	1316139100	1317000261	1316139400	1317000274
1316139400	Engineparts	1316139501	1317000274	1316139600	1317000269
1316139705	1317000274	1316139800	1317000274	1316139850	1317000274
1316139910	1317000316	1316140000	1317000182	1316140305	1317000274
1316142800	1317000182	1316142901	1317000182	1316143000	1317000182
1316148000	1317000261	1316149500	1317000271	1316156700	1317000182
1316157000	1317000183	1316157600	1317000192	1316157600	1317000190
1316157600	1317000193	1316157600	1317000191	1316157700	1317000191
1316157700	1317000190	1316157800	1317000190	1316157800	1317000192
1316157800	1317000191	1316157800	1317000193	1316157900	1317000192
1316157900	1317000193	1316162105	1316162100	1316162110	1316162100
1316169900	1317000269	1316169911	1317000269	1316170001	1317000270
1316173700	1317000271	1316173800	1317000271	1316174100	1317000271
1316174200	1317000298	1316174301	1317000298	1316174400	1317000274
1316174503	1317000274	1316174600	1317000274	1316174604	1317000274
1316174605	1317000298	1316174605	1317000274	1316174700	1317000274
1316174900	1317000274	1316175002	1317000258	1316175100	1317000291
1316175301	1317000261	1316175502	1317000261	1316175510	1317000261
1316175600	1317000261	1316175701	1317000261	1316176000	1316176080
1316176005	1316176080	1316176010	1316176080	1316176015	1316176080
1316176020	1316176080	1316176100	1316176150	1316176105	1316176150
1316176110	1316176180	1316176150	1316176180	1316176160	1316176180
1316176180	1317000262	1316176200	1317000262	1316176300	1317000262
1316176400	1317000262	1316176510	1316176500	1316176520	1316176500
1316176600	1317000313	1316176700	1317000313	1316176800	1317000261
1316176810	1317000261	1316176980	1317000261	1316177400	1317000273
1316183401	1317000270	1316183600	1317000261	1316183800	1317000270
1316184001	1317000298	1316184010	1317000298	1316199200	1317000182
1316199300	1317000274	1316200501	1317000040	1316202500	1317000480
1316202510	1317000480	1316204501	1317000301	1316205600	Maintenancekit
1316205605	Maintenancekit	1316206100	1317000184	1316206800	1317000191
1316206800	1317000187	1316206800	1317000193	1316206900	1317000192
1316206900	1317000193	1316206900	1317000187	1316206900	1317000191
1316206900	1317000190	1316208100	1317000297	1316208200	1317000274
1316208300	1317000192	1316208300	1317000193	1316209300	1317000274
1316214600	1317000315	1316214700	1317000297	1316215100	1317000553
1316217400	1317000274	1316225300	1317000271	1316250400	1317000035
1316257400	1317000262	1316257410	1317000262	1316269300	1317000295
1316276200	1317000035	1316285290	1317000313	1316294490	1317000035
1317000756	1316012500	1317005075	1317000301	1604027201	1317000270
1604029101	1317000270	1604029200	1317000270	1604030801	1316020147
1604030901	1316020147	1604040681	1317000035	1604084785	1317000297
1604401707	1317000297	1604611102	1317000481	1604668600	1317000187
1604694505	1317000270	1607852288	Compressorparts	1607852288	1317000297
1607852288	1317000298	1613726200	1316020147	1614611800	1317000313
1615508000	1317000050	1615566400	1317000192	1615566400	1317000191
1615566400	1317000298	1615566400	1317000193	1615566400	1317000187
1615566400	1317000291	1615566400	1317000262	1615566400	1317000261
1615566400	1317000271	1615566400	1317000553	1615566400	1317000190
1615566400	1317000182	1615566400	1317000274	1615566400	1317000316

Part no	Part no	Part no	Part no	Part no	Part no
1615566400	1317000322	1615566400	1317000315	1615682500	1317000270
1615721400	1317000261	1615860500	1317000322	1615860500	1317000262
1615861902	1317000182	1615862000	1317000182	1615943800	1317000271
1616510800	Compressorparts	1616562500	1317000270	1616562580	Compressorparts
1619266500	1317000262	1619266500	1317000322	1619276600	1316176180
1619276600	1317000313	1619276600	1317000481	1619276600	1317000274
1619276600	1316115980	1619276600	1317000322	1619276600	1317000273
1619276600	1317000262	1619276600	1317000261	1619276600	1317000182
1619276600	1317000298	1622706405	Compressorparts	1622706405	1317000313
1622870400	1317000270	1626225501	Coolant_Gencool	1626225601	Coolant_Gencool
1626225701	Coolant_Gencool	1626228701	1317000270	1626230700	1317000270
1626555280	1317000182	1626566191	1310322357	1626617100	1317000262
1626617100	1317000322	1626857391	1317000190	1626857391	1317000192
1626857391	1317000035	1626857391	1317000193	1626857391	1317000191
1630147500	1317000313	1630147502	1317000313	1630147503	1317000313
1638000000	1317000297	1638180500	1317000270	1638184300	1317000035
1638605402	1317000296	1638648900	1317000313	1638661200	1317000182
1638666810	1317000296	1638795000	1317000050	1638795100	1317000182
1638839380	1317000297	1638886200	1317000291	1638911500	1638886200
2205176611	1317000271	2253806300	1317000313	2901207208	1317000182
3161038800	1317000270	3176651900	1317000313	3176653900	1317000191
3176653900	1317000193	3176653900	1317000192	3176653900	1317000190
3315019510	1317000269	3715634400	1317000481	4810060600	Engineparts
4810060602	Engineparts	4810060624	Engineparts	4810060648	Engineparts
4810060659	Engineparts	4810060660	Engineparts	4810060662	Engineparts
4810060664	Engineparts	4810060669	Engineparts	4810060670	Engineparts
4810063599	Engineparts	4810068935	Engineparts	4810072492	Engineparts
4810072641	Engineparts	4810072643	Engineparts	4810072648	Engineparts
4810072650	Engineparts	4810072651	Engineparts	4810072652	Engineparts
4810072653	Engineparts	4810072654	Engineparts	4810072655	Engineparts
4810072660	Engineparts	4810072666	Engineparts	4810072670	Engineparts
4810072671	Engineparts	4810072674	Engineparts	5530768100	1317000273
8915002180	1317000481				



www.discount-equipment.com

PARTS FINDER

**Search Website
by Part Number**



**Search Manual
Library For Parts
Manual & Lookup Part
Numbers – Purchase
or Request Quote**

Search Manuals

Enter your information to help us find the right parts manual for your machine.

* Brand:

* Model:

* Serial:

* Part Number:

SEARCH

**Can't Find Part or
Manual? Request Help
by Manufacturer,
Model & Description**

Parts Order Form

Please fill in the following information to help us find the right part for your machine.

Manufacturer:	<input type="text"/>
Model:	<input type="text"/>
Description:	<input type="text"/>
Part Number:	<input type="text"/>
Quantity:	<input type="text"/>
Notes:	<input type="text"/>

Discount-Equipment.com is your online resource for quality parts & equipment.

Florida: **561-964-4949** Outside Florida TOLL FREE: **877-690-3101**

Need parts?

Click on this link: <http://www.discount-equipment.com/category/5443-parts/> and choose one of the options to help get the right parts and equipment you are looking for. Please have the machine model and serial number available in order to help us get you the correct parts. If you don't find the part on the website or on one of the online manuals, please fill out the request form and one of our experienced staff members will get back to you with a quote for the right part that your machine needs.

We sell worldwide for the brands: Genie, Terex, JLG, MultiQuip, Mikasa, Essick, Whiteman, Mayco, Toro Stone, Diamond Products, Generac Magnum, Airman, Haulotte, Barreto, Power Blanket, Nifty Lift, Atlas Copco, Chicago Pneumatic, Allmand, Miller Curber, Skyjack, Lull, Skytrak, Tsurumi, Husquvarna Target, Stow, Wacker, Sakai, Mi-T-M, Sullair, Basic, Dynapac, MBW, Weber, Bartell, Bennar Newman, Haulotte, Ditch Runner, Menegotti, Morrison, Contec, Buddy, Crown, Edco, Wyco, Bomag, Laymor, EZ Trench, Bil-Jax, F.S. Curtis, Gehl Pavers, Heli, Honda, ICS/PowerGrit, IHI, Partner, Imer, Clipper, MMD, Koshin, Rice, CH&E, General Equipment, Amida, Coleman, NAC, Gradall, Square Shooter, Kent, Stanley, Tamco, Toku, Hatz, Kohler, Robin, Wisconsin, Northrock, Oztec, Toker TK, Rol-Air, APT, Wylie, Ingersoll Rand / Doosan, Innovatech, Con X, Ammann, Mecalac, Makinex, Smith Surface Prep, Small Line, Wanco, Yanmar