



**Discount
Equipment**

www.discount-equipment.com

Filter	1317008240,UVC 300900 -
Identity	1317008240
Specifications	Product number: 8972422834, Product number: 8972422854, Product number: 8972422853, Division: Portable Air, Product group: Diesel Driven Compressors, Product type: Medium Air, Product: CPS 400-200, Product Company: Rockhill

PARTS FINDER

**Search Website
by Part Number**



**Search Manual
Library For Parts
Manual & Lookup Part
Numbers – Purchase
or Request Quote**

Search Manuals

Enter your information to help us find the right parts manual for your machine.

* Brand:

* Model:

* Serial:

* Part Number:

SEARCH

**Can't Find Part or
Manual? Request Help
by Manufacturer,
Model & Description**

Parts Order Form

Please fill in the following information to help us find the right part for your machine.

Manufacturer:	<input type="text"/>
Model:	<input type="text"/>
Description:	<input type="text"/>
Part Number:	<input type="text"/>
Quantity:	<input type="text"/>
Notes:	<input type="text"/>

Submit

Discount-Equipment.com is your online resource for quality parts & equipment.

Florida: **561-964-4949** Outside Florida TOLL FREE: **877-690-3101**

Need parts?

Click on this link: <http://www.discount-equipment.com/category/5443-parts/> and choose one of the options to help get the right parts and equipment you are looking for. Please have the machine model and serial number available in order to help us get you the correct parts. If you don't find the part on the website or on one of the online manuals, please fill out the request form and one of our experienced staff members will get back to you with a quote for the right part that your machine needs.

We sell worldwide for the brands: Genie, Terex, JLG, MultiQuip, Mikasa, Essick, Whiteman, Mayco, Toro Stone, Diamond Products, Generac Magnum, Airman, Haulotte, Barreto, Power Blanket, Nifty Lift, Atlas Copco, Chicago Pneumatic, Allmand, Miller Curber, Skyjack, Lull, Skytrak, Tsurumi, Husquvarna Target, Stow, Wacker, Sakai, Mi-T-M, Sullair, Basic, Dynapac, MBW, Weber, Bartell, Bennar Newman, Haulotte, Ditch Runner, Menegotti, Morrison, Contec, Buddy, Crown, Edco, Wyco, Bomag, Laymor, EZ Trench, Bil-Jax, F.S. Curtis, Gehl Pavers, Heli, Honda, ICS/PowerGrit, IHI, Partner, Imer, Clipper, MMD, Koshin, Rice, CH&E, General Equipment, Amida, Coleman, NAC, Gradall, Square Shooter, Kent, Stanley, Tamco, Toku, Hatz, Kohler, Robin, Wisconsin, Northrock, Oztec, Toker TK, Rol-Air, APT, Wylie, Ingersoll Rand / Doosan, Innovatech, Con X, Ammann, Mecalac, Makinex, Smith Surface Prep, Small Line, Wanco, Yanmar

Spare part list	
Maintenance kit	Maintenancekit
Engine parts	Engineparts
Compressor parts	Compressorparts
KIT:0500HR-CPS 400 KOD	1316205600
KIT:1500HR-CPS 400 KOD	1316205605
COMPRESSOR OIL	COMPRESSOROIL
COOLANT	COOLANT
OIL SEPARATOR KIT	2911000053
KIT: UNLOADER XAS 400-200 PACE	1316020147
BODYWORK	1317000262
Frame and mounts	1317000269
Baffle assembly:red	1316176080
Roof spine assembly:black	1316176180
Kit-canopy:top PE	1316176500
Front canopy assembly:red	1316175980
Undercarriage	1317000315
AXLE ASY:EB XAS 400	1310169201
DRAWBAR ASSY:XAS400PE EB/NB	1310825081
LABELS	1317000295
LABEL SHEET:	1310075048
Air inlet	1317000271
AIR OUTLET	1317000035
COMPRESSOR DRIVE	1317000270
VESSEL ASY:AIR/OIL SIZE 1	1316130590
LABEL SET	1317000299
Safety valve	1310322352
No air inlet shutdown	1317000258
NO AFTERCOOLER	1317000050
Gearset	1310322357
Engine	1316012500
Engine system	1317000260
COOLING SYSTEM	1317000274
REGULATION SYSTEM	1317000036
FAN BOX ASY	1316138781
Kit:fan guards	1316139501
TOP TANK	1310074637
Exhaust System	1317000261
OIL SYSTEM	1317000313
Fuel system	1317000273
FUEL TANK ASY:LESS SECOND PORT	1310190185
ELECTRICAL SYSTEM	1317000272
Without oversized battery	1310312501
Control panel	1317000037
No jockey wheel	1317000294
Bodywork sunbelt	1317000322
Canopy rear PE	1316115770
FRONT CANOPY SUNBELT	1316114481
Roof assembly	1316115960
ROOF ASSEMBLY	1316115980

Roof spine assembly:black	1316176180
ROOF:UPPER ASSEMBLY BLACK	1316176150
Air inlet shutdown	1317000480
EXTERNAL FUEL	1317000481
SINGLE HOSE REEL	1317000191
SINGLE HOSE REEL	1317000190
DUAL HOSE REEL	1317000192
DUAL HOSE REEL	1317000193
Tool box	1317000187
AFTERCOOLER	1317000182
NIPPLE - ADAPTOR:M42 X 1.5 NPT	1316010101
Fork pockets	1317000184
Coupler 1"	1310312359
Coupler 2"	1310312005
QUICKFIT ASSEMBLY	1317000790
Coupler - Loose ball Coupling 2-5/16	1310312358
Block heater	1317000479
SKID	1317000183
Side markers	1317000482
SMARTBOX	1317000291
DRAIN PORT:PD/DD FILTER ASY	1310963881
KIT:QUICKFIT	1316010372
FIRE EXTINGUISHER : 2.5LB ABC VM	1316162100
BAFFLE ASSEMBLY SUNBELT	1316113981
Baffle assembly:red	1316176080
Module	1638886200
Kit-canopy:top PE	1316176500
GOP:solar charg	1317000553
OSHA VALVE	1310050121



CPS 400-200 MP

Engine	DIESEL: KOHLER
Engine oil capacity	20.8 Liter / 5.5 US Gallon
Engine coolant capacity	23.6 Liter / 6.25US Gallon

Maintenance kits	
Description	Order number
Service pack 500 hours	1316205600
Service pack 1500 hours	1316205605

Fluids	
Description	Order number
Can Gencool EG 5 Liter/1.32 Gallon	1626225501
Can Gencool EG 20 Liter/5.3 Gallon	1626225601
Can Genoil S 20 Liter/5.3 Gallon	1630017500
Can Genoil S Ultra 20 Liter/5.3 Gallon	1630024900
Can Genoil S Ultra 210 Liter/55.5 Gallon	2914000002

Compressor parts	
Description	Order number
Bearing	0504020013
Controller	1626850007
Level gauge	1616510800
Lipseal	1616562580
Pressure sensor	1607852288
Pressure sensor	1607852293
Temperature sensor	1089057470
Valve 71 degree celcius	1622706405
Valve solenoid	1089951504
Valve solenoid	1638201401
Valve-check	1316010219

Engine parts	
Description	Order number
Air filter indicator	4810060664
Alternator	4810072666

Scan QR code for more information

1317005076

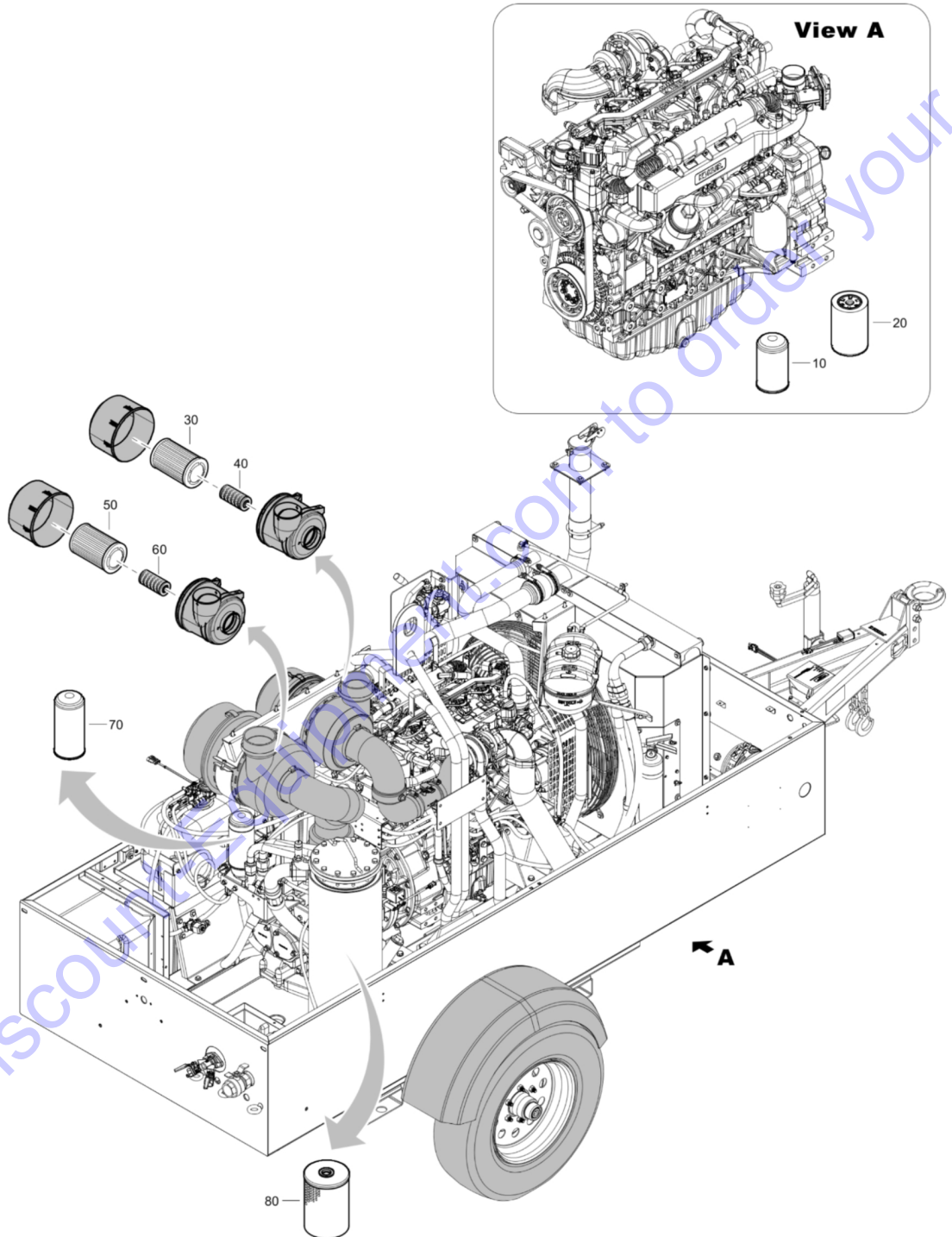
Engine parts	
Description	Order number
Catalyst	4810072660
Coolant pump	4810072653
Coolant pump o-ring	4810072654
Egr valve	4810068935
Fan:28+ dia.	1316139400
Fuel feeding pump	4810063599
Fuel level sensor	1310074645
Fuelcap:kelch 3.5+ (black)	1310924378
Injection pump gasket	4810060624
Injection pump	4810072643
Injector assembly	4810072641
Injector gasket	4810060602
Oil cap	4810060669
Oil cap o-ring	4810060600
Oil dipstick o-ring	4810072651
Oil dipstick	4810072650
Oil filter gasket kit	4810060662
Oil pressure switch	4810060648
Oil pump	4810072648
Oil sump plug	4810060670
Poly v-belt	4810072492
Sensor (phase)	4810072670
Sensor (speed)	4810072671
Starter motor	4810072674
Temperature switch water	4810060660
Thermostatic valve	4810072652
T-map sensor	4810060659
Turbocharger	4810072655

Service intervals	
Change oil engine	Every 500 hours / 1 year
Change oil Compressor	Every 1500 hours / 2 years
Change coolant engine	Every 5000 hours

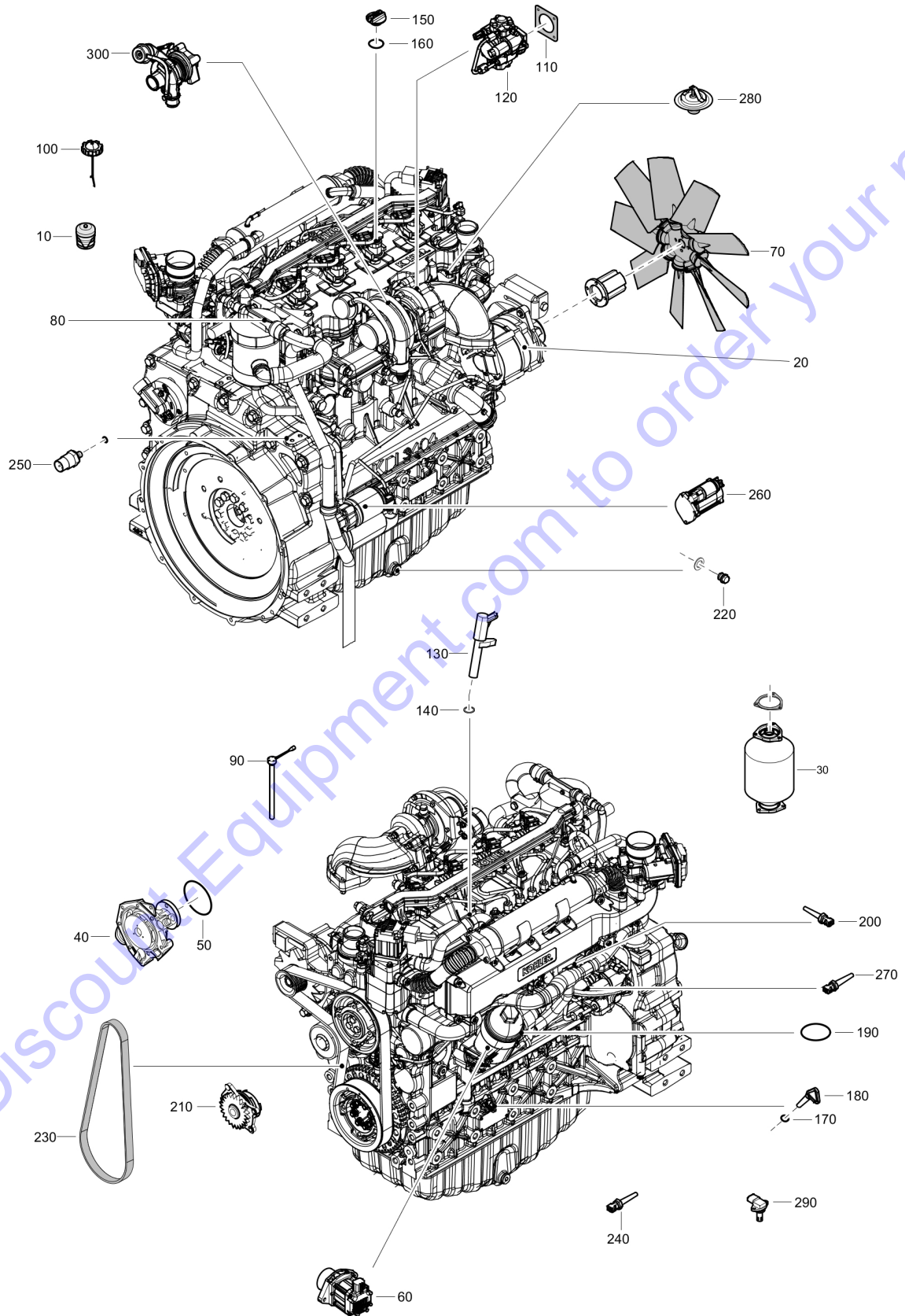
www.cp.com

Id	Qty	Number	Name	Specifications

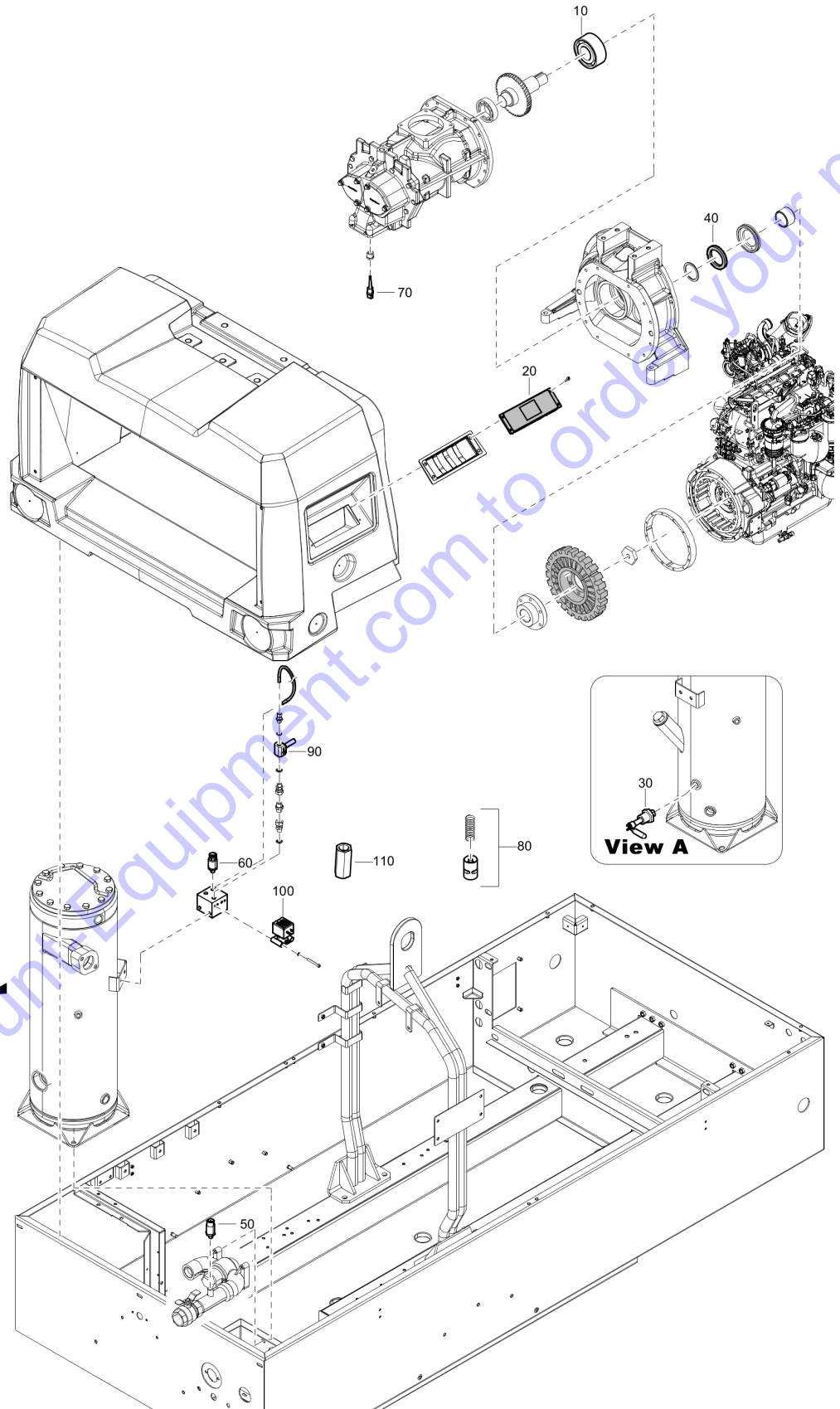
Go to Discount-Equipment.com to order your parts



Id	Qty	Number	Name	Specifications
-		1316205600	SERVICE PACK 500 HOURS	
10	1		OIL FILTER CARTRIDGE	
20	1		FUEL FILTER ELEMENT	
30	1		Element filter	
40	1		Filter air	
-		1316205605	SERVICE PACK 1500 HOURS	
10	1		OIL FILTER CARTRIDGE	
20	1		FUEL FILTER ELEMENT	
30	1		Element filter	
40	1		Filter air	
50	1		Element filter	
60	1		Filter air	
70	1		Oil filter	
80	1		Oil separator kit	
-			Compressor Oil	
90	1	1630017500	OIL GENOIL S 20L	
90		1626225800	CAN PAROIL EXTRA 5 LITER/1.32 GALLON	
100	1	1630024900	Can Genoil S Ultra 20 Liter/5.3 Gallon	
100		1626225900	CAN PAROIL EXTRA 20 LITER/5.3 GALLON	
110	1	2914000002	Can Genoil S Ultra 210 Liter/55.5 Gallon	
-			Coolent oil	
120	1	1626225501	CAN GENCOOL EG 5 LITER/1.32 GALLON	
110	1	1626225501	CAN GENCOOL EG 5 LITER/1.32 GALLON	
130	1	1626225601	CAN GENCOOL EG 20 LITER/5.3 GALLON	
120	1	1626225601	CAN GENCOOL EG 20 LITER/5.3 GALLON	
130	1	1630013411	CAN GENCOOL GREEN 5L	
140	1	1630013416	CAN GENCOOL GREEN 20L	
150	1	1630017500	OIL GENOIL S 20L	
160	1	1630024900	Can Genoil S Ultra 20 Liter/5.3 Gallon	
170		2914000002	Can Genoil S Ultra 210 Liter/55.5 Gallon	



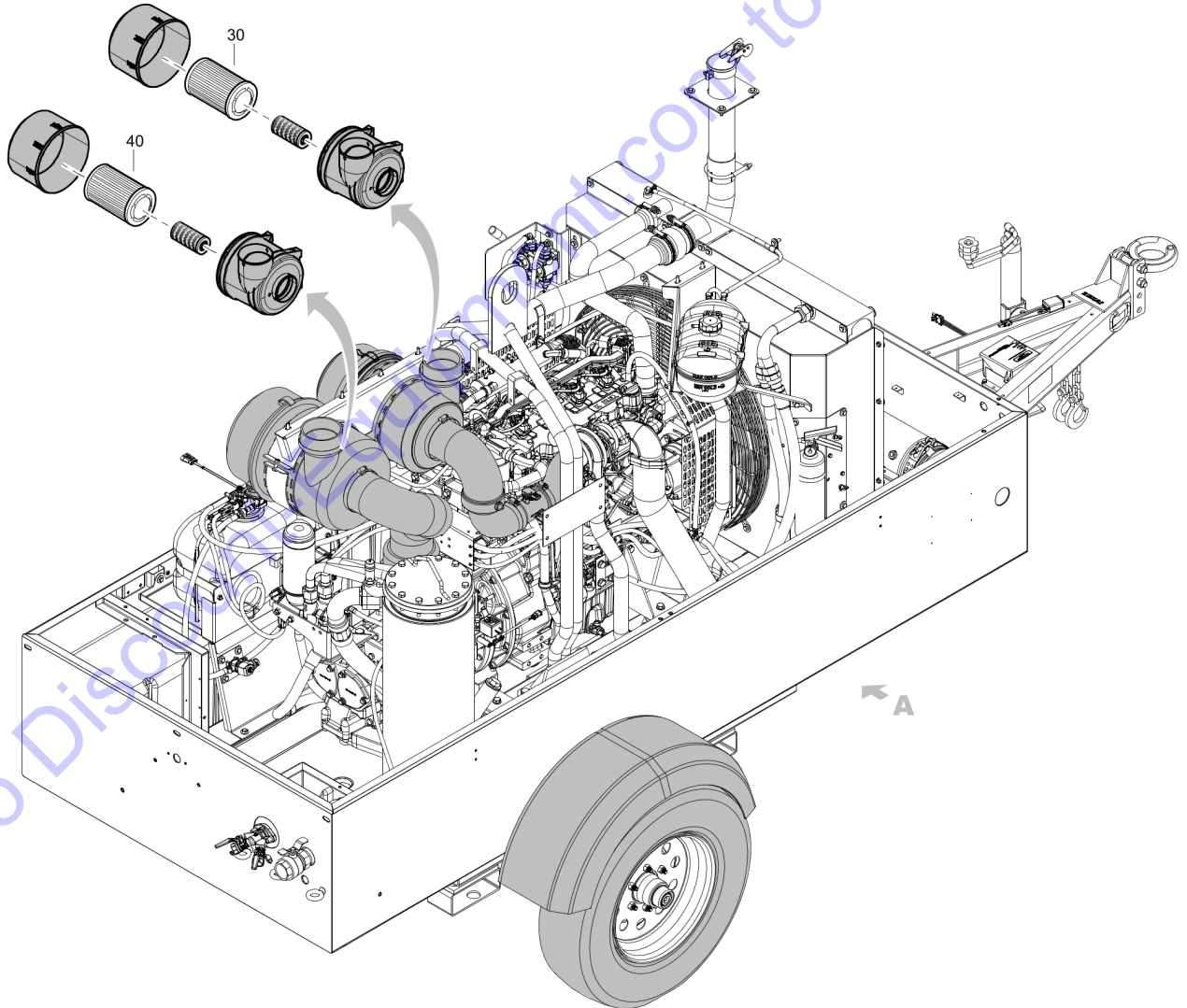
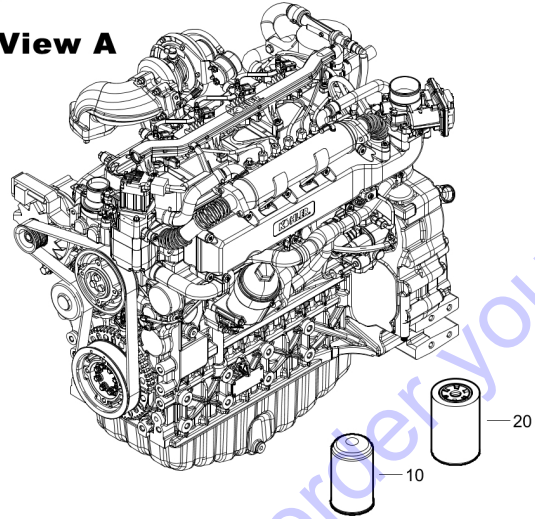
Id	Qty	Number	Name	Specifications
10	1	4810060664	AIR FILTER INDICATOR	
20	1	4810072666	ALTERNATOR	
30	1	4810072660	CATALYST	
40	1	4810072653	COOLANT PUMP	
50	1	4810072654	COOLANT PUMP O-RING	
60	1	4810068935	EGR VALVE	
70	1	1316139400	FAN:28+ DIA.	
80	1	4810063599	FUEL FEEDING PUMP	
90	1	1310074645	FUEL LEVEL S	
100	1	1310924378	FUELCAP:KELCH 3.5" (BLACK)	
110	1	4810060624	INJECTION PUMP GASKET	
120	1	4810072643	INJECTION PUMP	
130	1	4810072641	INJECTOR ASSY:KDI3404TCR	
140	1	4810060602	INJECTOR GASKET	
150	1	4810060669	OIL CAP	
160	1	4810060600	OIL CAP O-RING	
170	1	4810072651	OIL DIPSTICK O-RING	
180	1	4810072650	OIL DIPSTICK:KDI3404TCR	
190	1	4810060662	OIL FILTER GASKET KIT	
200	1	4810060648	OIL PRESSURE SWITCH	
210	1	4810072648	OIL PUMP:KDI3404TCR	
220	1	4810060670	OIL SUMP PLUG	
230	1	4810072492	V-BELT FAN	
240	1	4810072670	SENSOR (PHASE)	
250	1	4810072671	SENSOR (SPEED)	
260	1	4810072674	Starter motor	
270	1	4810060660	TEMPERATURE SWITCH WATER	
280	1	4810072652	THERMOSTATIC VALVE	
290	1	4810060659	T-MAP SENSOR	
300	1	4810072655	TURBOCHARGER	



Id	Qty	Number	Name	Specifications
10	1	0504020013	ROLAMENTO	
20	1	1626850007	CONTROLLER	
30	2	1616510800	LEVEL GAUGE	
40	1	1616562580	LIPSEAL	
50	1	1607852288	PRESSURE SENSOR	
60	1	1607852293	PRESS. SENSOR:0 TO 3 BAR IP67	
70	1	1089057470	TEMPERATURE SENSOR	
80	1	1622706405	THERMOSTATIC VALVE 71 DEG C	
90	1	1089951504	VALVE-SOLENOID:12V 1/4G	
100	1	1638201401	VALVE:PROPORTIONAL SOLENOID	
110	1	1316010219	VALVE-CHECK:G.25 0.5 BAR CRACK	

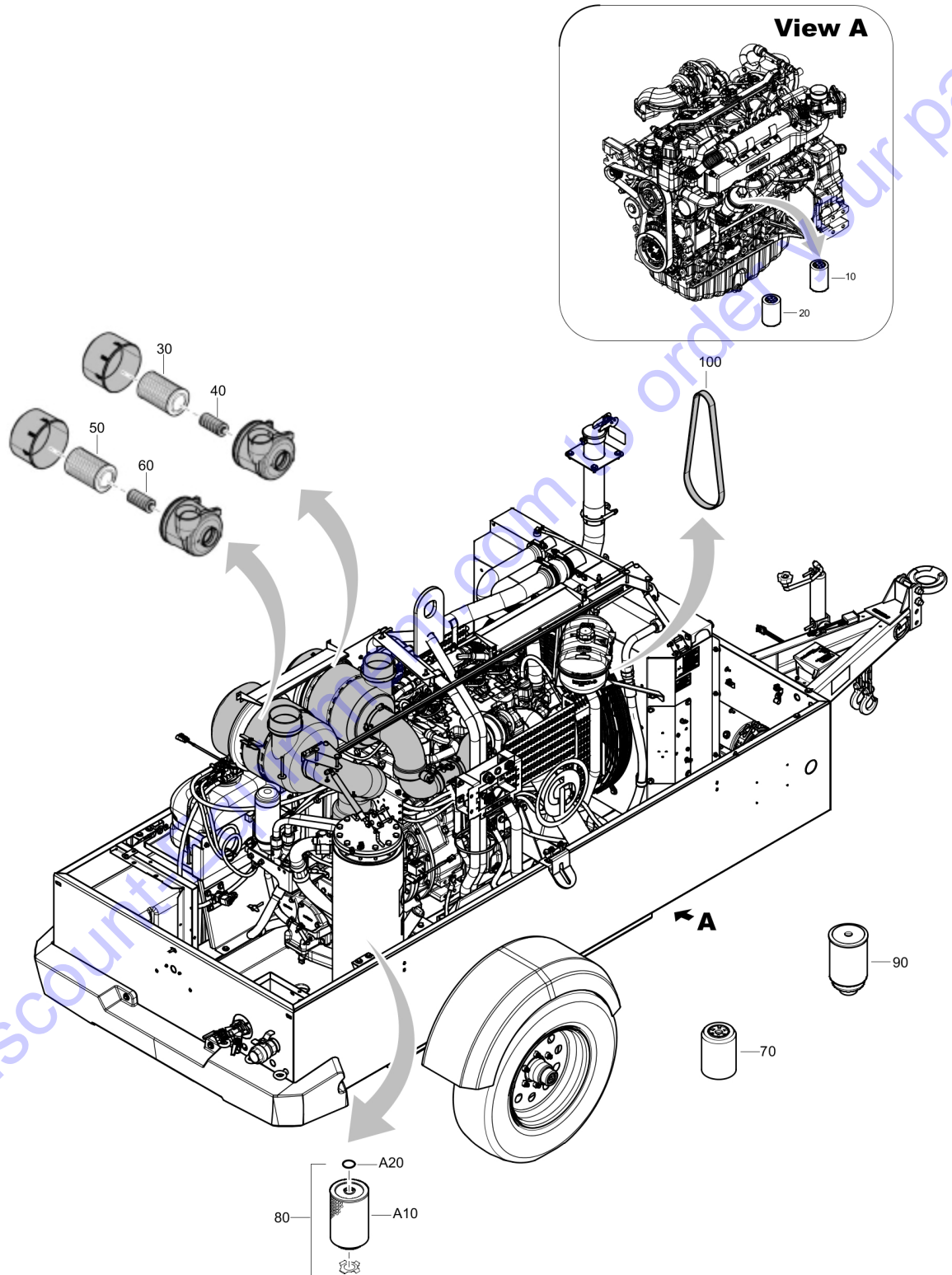
Go to Discount-Equipment.com to order your parts

View A



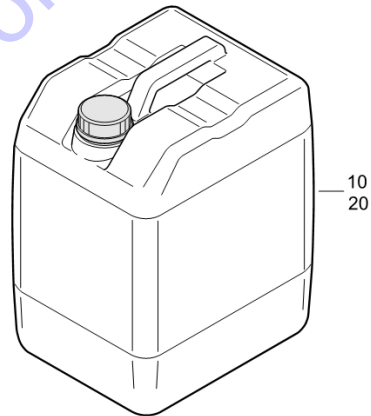
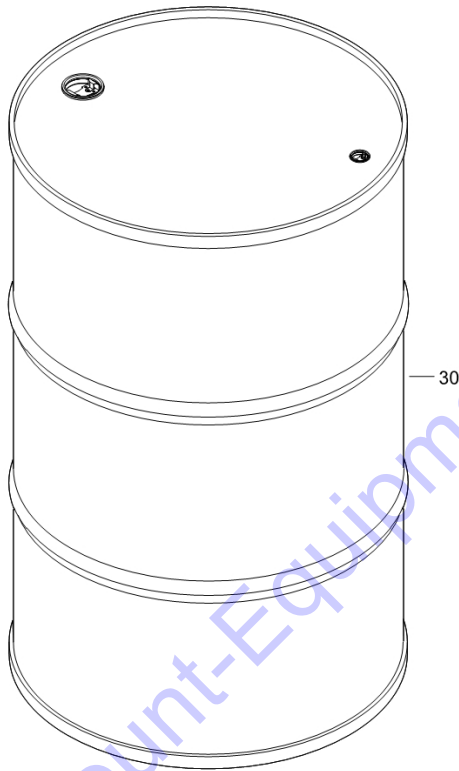
Id	Qty	Number	Name	Specifications
10	1		Oil filter element	
20	1		Fuel filter element	
30	1		Element-air filter	
40	1		Element-air filter	

Go to Discount-Equipment.com to order your parts



Id	Qty	Number	Name	Specifications
10	1		Oil filter element	
20	1		Fuel filter	
30	1		Element filter	
40	1		Filter air	
50	1		Element filter	
60	1		Filter air	
70	1		Oil filter	
80	1		Oil separator kit	
A10	1		Separator	
A20	1		O-RING	
90	1		Def pump filter	
100	1		Poly v-belt	

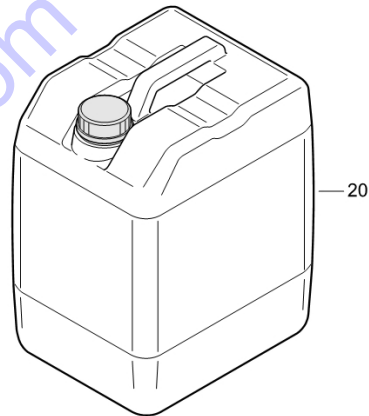
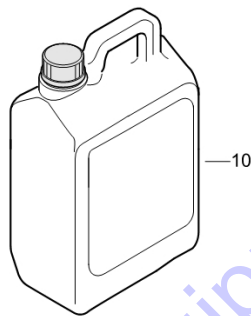
Go to Discount-Equipment.com to order your parts



Go to Discount-Equipment.com to order your parts

Id	Qty	Number	Name	Specifications
10	1	1630017500	OIL GENOIL S 20L	
20	1	1630024900	Can Genoil S Ultra 20 Liter/5.3 Gallon	
30	1	2914000002	Can Genoil S Ultra 210 Liter/55.5 Gallon	

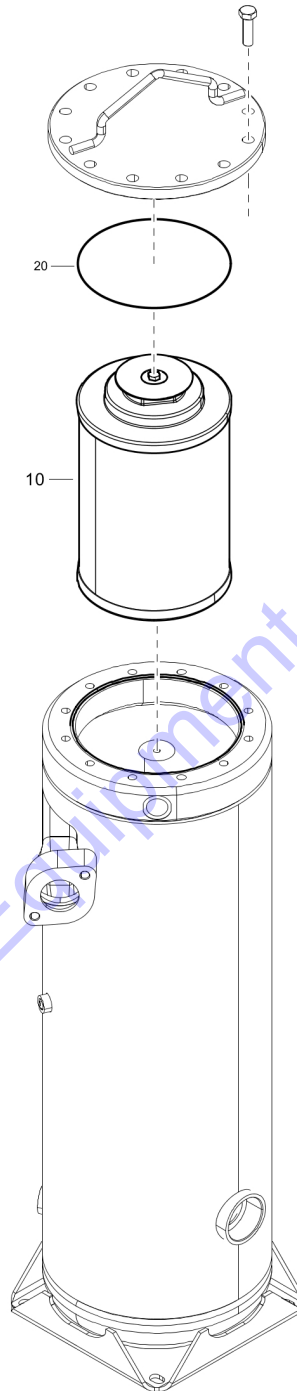
Go to Discount-Equipment.com to order your parts



Go to Discount-Equipment.com to order your parts

Id	Qty	Number	Name	Specifications
10	1	1626225501	CAN GENCOOL EG 5 LITER/1.32 GALLON	
20	1	1626225601	CAN GENCOOL EG 20 LITER/5.3 GALLON	

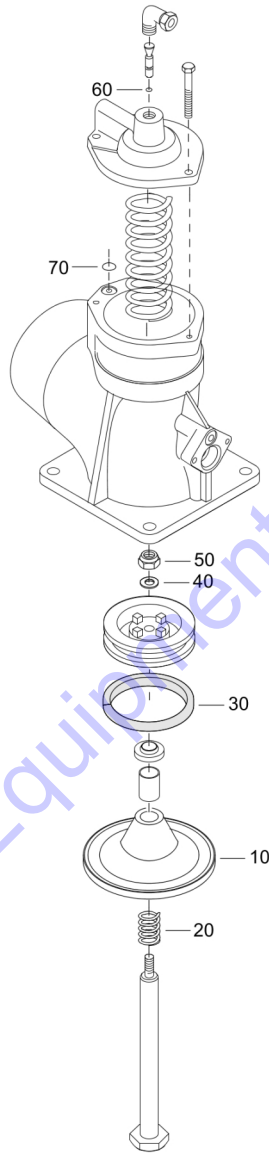
Go to Discount-Equipment.com to order your parts



Go to Discount-Equipment.com to order your parts

Id	Qty	Number	Name	Specifications
10	1		OIL SEPARATOR	
20	1		O-RING	

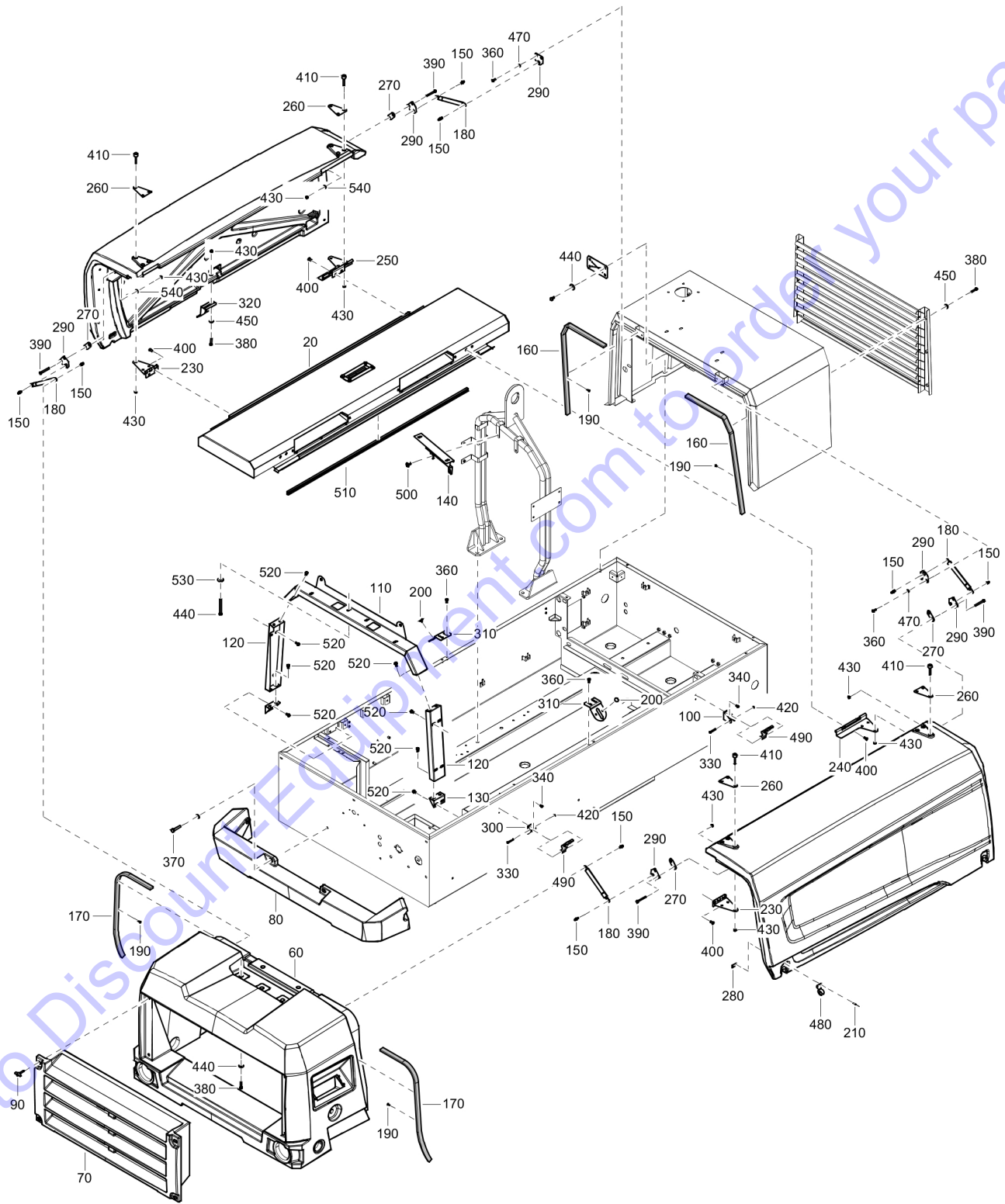
Go to Discount-Equipment.com to order your parts



Go to Discount-Equipment.com to order your parts

Id	Qty	Number	Name	Specifications
10	1	1604030901	VALVE	
20	1	1604030801	SPRING	
30	1	1613726200	PISTON RING	
40	1	0301233500	PLAIN WASHER	
50	1	0291111000	LOCK NUT M8	
60	1	0663611100	O-RING	
70	1	0663711500	O-RING 8.1 X 1.6 VITON	

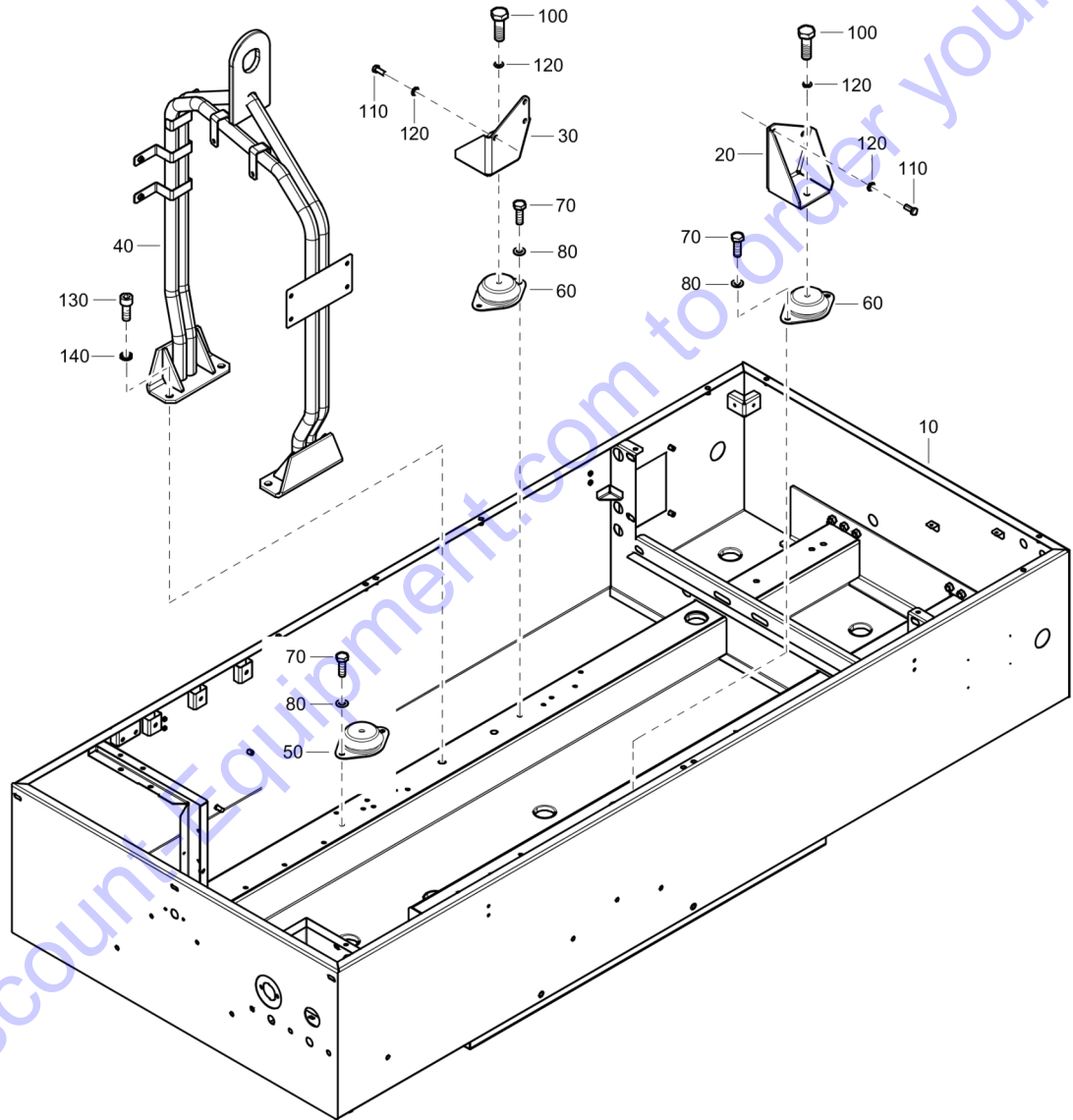
Go to Discount-Equipment.com to order your parts



Id	Qty	Number	Name	Specifications
20	1	1316176180	ROOF SPINE ASSEMBLY:BLACK	
60	1	1316176200	CANOPY:REAR PE BLACK CPS400KDI	
70	1	1316176300	LOUVER:REAR PE BLACK	
80	1	1316176400	BUMPER:REAR PE BLACK	
90	4	1316010122	WING SCREW:M8 X 35MM \$STL	
100	2	1316114610	PLATE:LATCH BASE BLACK	
110	1	1316115200	SUPPORT:BACK BODYWORK TOP	
120	2	1316115300	SUPPORT:BACK BODYWORK SIDES	
130	2	1316116000	REAR CANOPY SUPPORT BRACKET	
140	1	1316139000	SUPPORT:LIFT BAIL-ROOF XAS400	
150	8	1310032778	SUPPORT:BALL STUD,.312-18 THD	
160	2	1316020125	SEAL-DOOR:PE 400 FRONT	
170	2	1316020126	SEAL-DOOR:PE 400 REAR	
180	4	1310074176	STRUT:GAS DOOR LIFT M10 BALL	
190	30	1316020127	RIVET:PUSH-IN 0.219DX 0.75L	
200	4	1310075049	BUMPER:PUSH-IN RUBBER PE400	
210	8	1310075051	RIVET-POP:.187DX1.075L PE400	
230	2	1310118100	HINGE:REAR XAS400 PE	
240	1	1310118200	HINGE:R FRONT XAS400 PE	
250	1	1310118300	HINGE:L FRONT	
260	4	1310118400	PLATE:HINGE	
270	4	1310127900	PLATE:DOOR STRUT PE400	
280	4	1310128000	PLATE:STIRRUP BACKING	
290	6	1310128100	STUD-BALL:BRACKET PE400	
300	2	1310128410	BASE PLATE:PE DOOR BLACK	
310	2	1316257400	BRACKET:FRAME PE DOOR LOCK	
320	2	1316257410	BRACKET:PE DOOR LOCK BLACK	
330	4	0147121403	HEXAGON BOLT	
340	8	0147124403	HEX. HEAD SCREW M6 X 12	
360	8	0147132303	HEX. HEAD SCREW M8 X 20	
370	4	0147132803	HEX. BOLT M8X40X8.8	
380	13	0147132903	HEX. HEAD SCREW	
390	8	0147133403	SCREW:M8 X 70MM HEXHD \$STL	
400	8	0216132403	HEX. CSUNK SCREW	
410	12	0226991527	BOLT	
420	4	0291110700	NUT	
430	24	0291111000	LOCK NUT M8	
440	5	0300027621	WASHER	
450	22	0300801900	WASHER M8	
470	36	0301233500	PLAIN WASHER	
480	4	1615860500	STIRRUP	
490	4	1626617100	CATCH	
500	37	1615566400	HEX. HEAD SCREW	
510	2	1619266500	SEAL LIP	
520	4	1619276600	SCR.BOLT M8X20	
530	2	0147133803	SCREW:M 8X 90;HEX HD,ZN PLT,\$S	

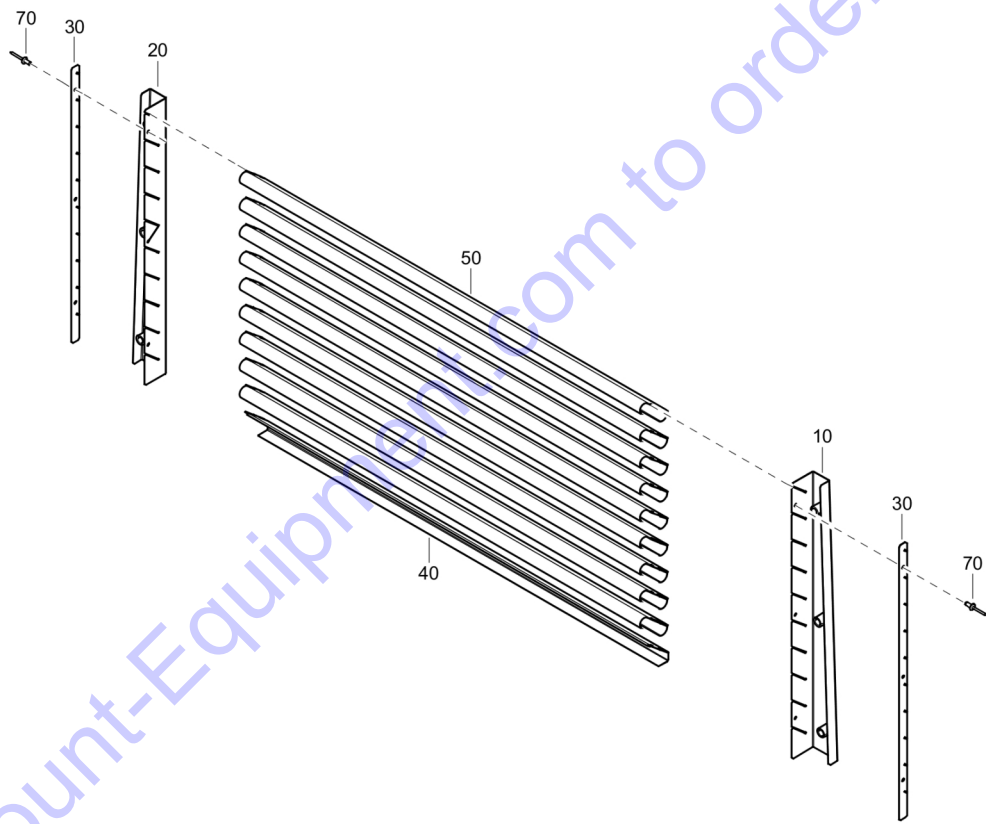
Id	Qty	Number	Name	Specifications
540	8	0301232100	WASHER M6	

Go to Discount-Equipment.com to order your parts



Id	Qty	Number	Name	Specifications
10	1	1316112305	FRAME	
20	1	1316169900	Foot:engine curb cps 400 kdi	
30	1	1316169911	Foot:engine street cps 400 kod	
40	1	1316139600	LIFTING BAIL:XAS400 CC10	
50	2	1310075807	ISOLATOR:RA200/M10 60SH	
60	2	1310075808	ISOLATOR:RA200/M12 40SH	
70	8	0147132503	HEX. HEAD SCREW M8X25	
80	8	0301233500	PLAIN WASHER	
100	2	0147140003	HEX. BOLT M12X25X8.8	
110	6	0147140103	SCREW DIN933 M12X30 8.8 ZN	
120	8	0301235800	PLAIN WASHER	
130	4	0147147603	HEX. HEAD SCREW M16 X 35	
140	4	3315019510	LOCK WASHER	

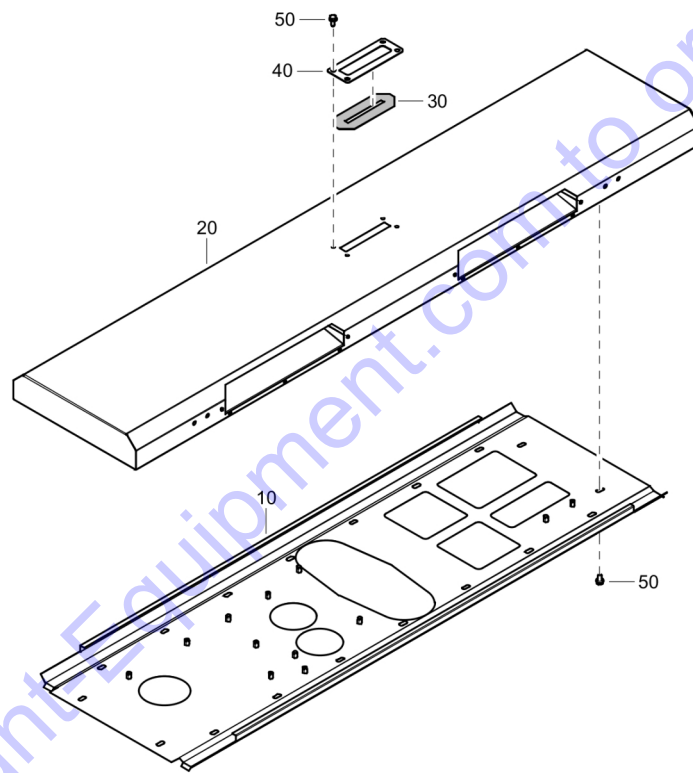
Go to Discount-Equipment.com to order your parts



Go to Discount-Equipment.com to order your parts

Id	Qty	Number	Name	Specifications
10	1	1316176000	PLATE:BAFFLE SIDE RED	
20	1	1316176005	PLATE:BAFFLE SIDE RED	
30	2	1316176010	PLATE:BAFFLE SIDE RETAINER RED	
40	1	1316176015	PLATE:BAFFLE BASE	
50	9	1316176020	PLATE:BAFFLE LOUVER RED	
70	6	0129312100	RIVET	

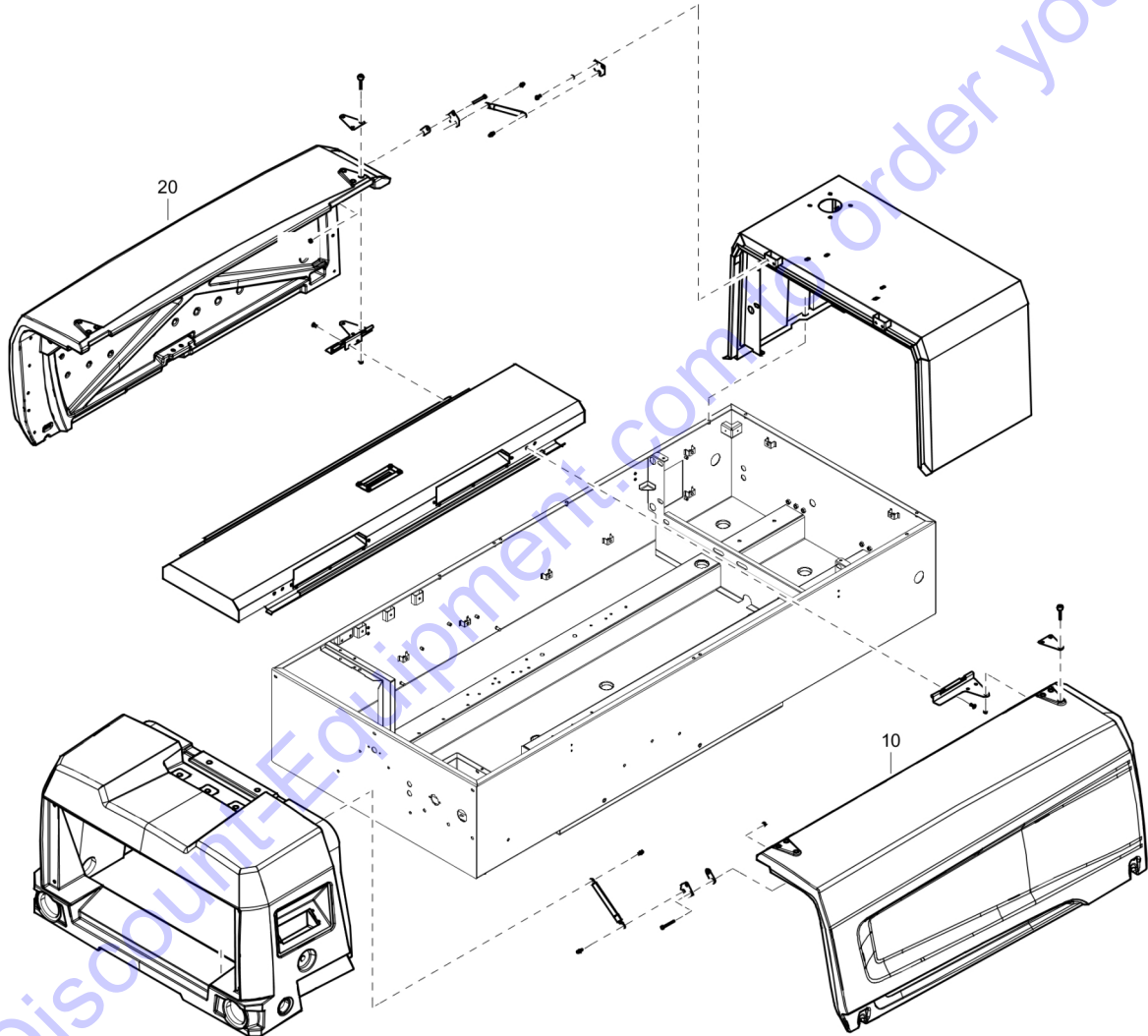
Go to Discount-Equipment.com to order your parts



Go to DiscountEquipment.com to order your parts

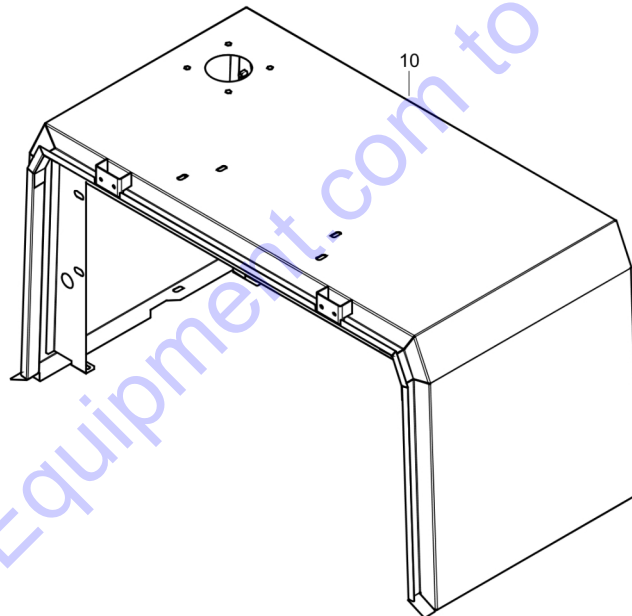
Id	Qty	Number	Name	Specifications
10	1	1316176160	ROOF:LOWER BLACK CPS400 KDI	
20	1	1316176150	ROOF:UPPER ASSEMBLY BLACK	
30	1	1310074977	GASKET:LIFTING BALE XAS400	
40	1	1316176110	PLATE:SPINE LIFTING BALE SLOT	
50	20	1619276600	SCR.BOLT M8X20	

Go to Discount-Equipment.com to order your parts



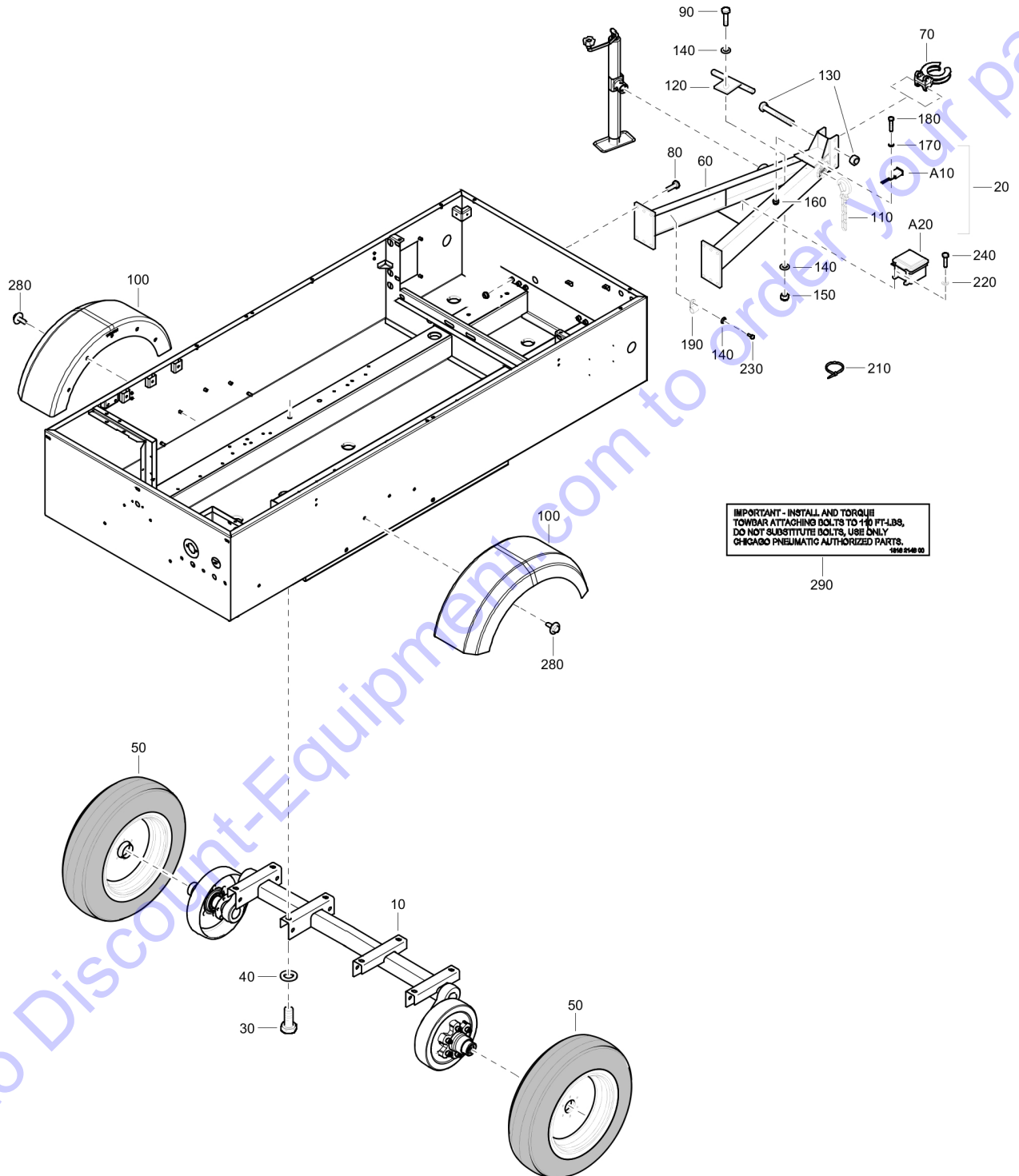
Id	Qty	Number	Name	Specifications
10	1	1316176510	Door:right	
20	1	1316176520	Door:left	

Go to Discount-Equipment.com to order your parts

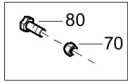


Id	Qty	Number	Name	Specifications
10	1	1316175900	FRONT CANOPY:RED CPS400KDI	

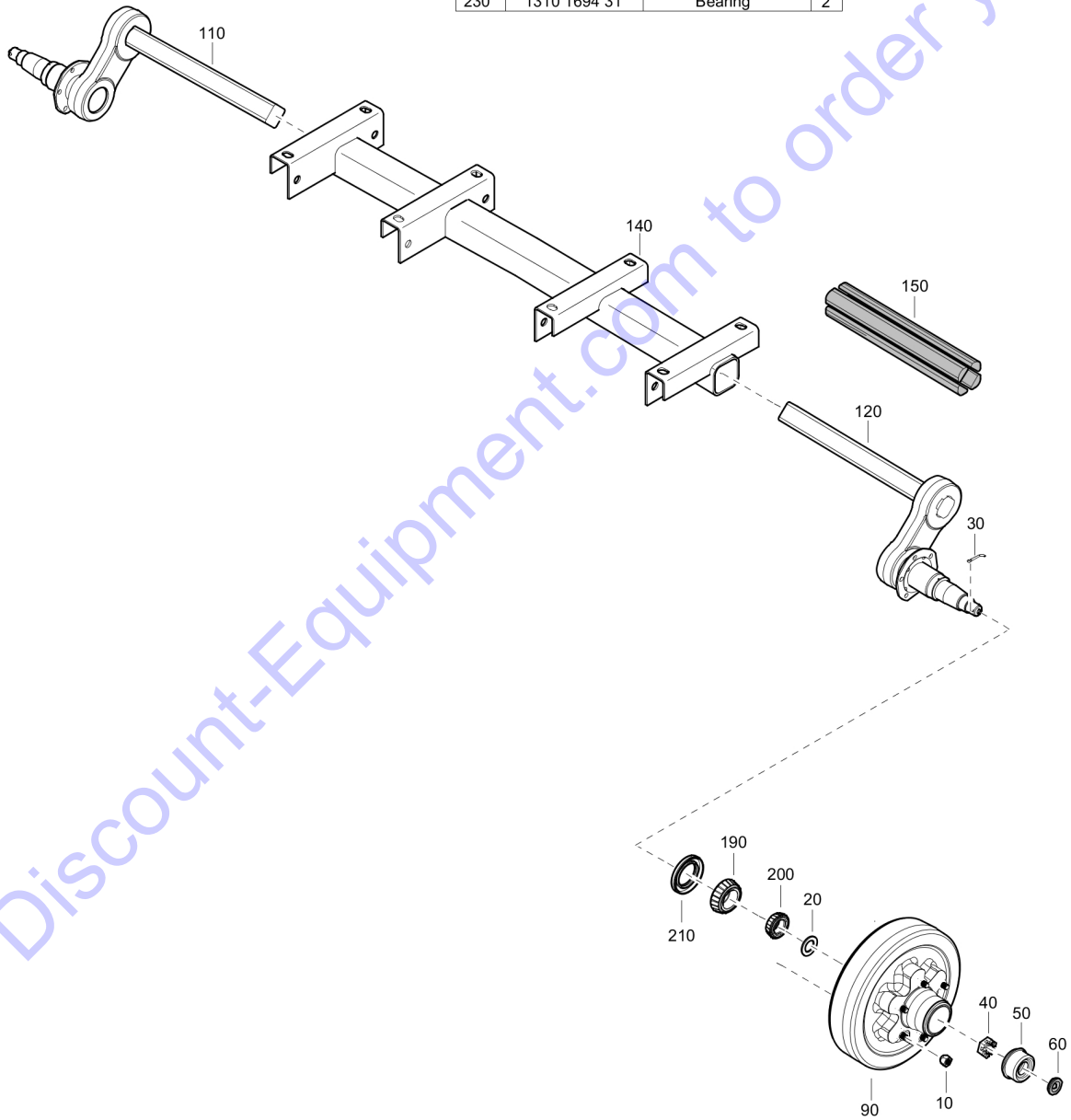
Go to Discount-Equipment.com to order your parts



Id	Qty	Number	Name	Specifications
10	1	1310169201	AXLE ASY:EB XAS 400	
20	1	1310600218	KIT:TRAILER BREAKAWAY	
30	8	0147147603	HEX. HEAD SCREW M16 X 35	
40	8	0301237800	PLAIN WASHER(A) 17 X 30 X 3	
50	2	1310030396	WHEEL-TIRE ASY:H78-15ST SILVER	
60	1	1310825081	DRAWBAR ASSY:XAS400PE EB/NB	
70	1	1310031452	EYE-LUNETTE:3" GALVANIZED	
80	12	1310033194	SCREW:.500-13X2.25L HXFLHD ZPL	
90	1	0144324803	SCREW	
100	2	1316116220	FENDER:WHEEL 15+, MB BLACK	
110	2	1310033046	CHAIN/EYE ASY:XAS175JD	
120	1	1310034208	PIN-CHAIN LOCK:	
130	1	1310030011	KIT:DRAWBAR HARDWARE,BOLT&LNUT	
140	5	0301233500	PLAIN WASHER	
150	1	0292130500	LOCKNUT	
160	1	0291110700	NUT	
170	1	0301231800	PLAIN WASHER	
180	1	0147120903	SCREW:M 5X 22;HEX HD,ZN PLT,\$S	
190	3	1310036557	CLAMP:0.5" ID XM10,P-TYPE \$RBR	
210	2	0348010107	STRIP	
220	3	0301232100	WASHER M6	
230	3	0147132203	HEX. HEAD SCREW M8 X 16	
240	3	0147124703	HEX. BOLT M6X20X8.8	
280	10	1615566400	HEX. HEAD SCREW	
290	1	1316214600	LABEL:TOWBAR TORQUE 110 FT- LBS	

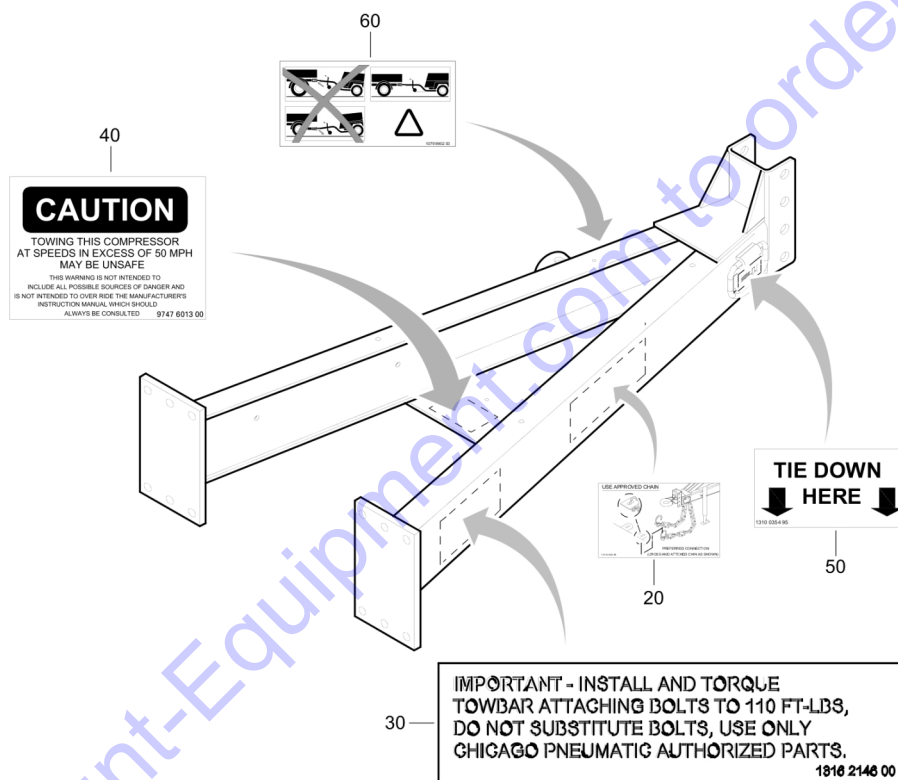


Not Illustrated			
Ref	Part Number	Designation	Qty
100	1310 0744 51	Brake Asy	1
130	1310 0744 54	Brake Asy	1
160	1310 0744 57	Sticker	1
170	1310 0744 58	Label	1
180	1310 0744 59	Manual maint	1
220	1310 1694 30	Bearing	2
230	1310 1694 31	Bearing	2



Go to Discount-Equipment.com to order your parts

Id	Qty	Number	Name	Specifications
10	12	1310034108	Nut	
20	2	1310074443	WASHER-SPINDLE:XAS 400 AXLE	
30	2	1310034107	Cotter pin	
40	2	1310034093	NUT-SPINDLE:RELIABLE TOOL &	
50	2	1310074446	CAP-GREASE:XAS 400 AXLE	
60	2	1310074447	PLUG-GREASECAP:XAS 400 AXLE	
70	10	1310074448	LOCKNUT-FLANGE:XAS 400 AXLE	
80	10	1310074449	Bolt-flange	
90	2	1310074450	COVER-BRAKE:XAS 400 AXLE	
100	1	1310847732	LH Brake assembly	
110	1	1310074452	Torsion	
120	1	1310074453	Torsion	
130	1	1310847733	BRAKE ASY:XAS 1150 RH(SERVICE)	
140	1	1310074455	Tube	
150		1310074456	Cord-rubber	
160	1	1310074457	STICKER-TORSION:XAS 400 AXLE	
170	1	1310074458	Lst stickers	
180	1	1310074459	Manual-maint:size 1 axle	
190	2	1310074474	BEARING CONE:XAS 400 NB AXLE	
200	2	1310074475	BEARING CONE:XAS 400 NB AXLE	
210	2	1310074473	SEAL:RV TYPE 3 XAS 400 NB AXLE	
220	2	1310169430	BEARING RACE: XAS 400 NB AXEL	
230	2	1310169431	BEARING RACE: XAS 400 NB AXEL	



Go to Discount-Equipment.com to order your parts

Id	Qty	Number	Name	Specifications
20	1	1310034389	LABEL:SAFETY CHAIN	
30	1	1310074434	LABEL:TOWBAR TORQUE 110 FT-LBS	
40	1	9747601300	LABEL:CAUTION-TOWING THIS COMP	
50	2	1310035495	LABEL:TIE DOWN HERE XAS	
60	1	1079990200	LABEL:TOW BAR CONNECTION	

Go to Discount-Equipment.com to order your parts

Indication	Description	Operator Action
	Oil level indicator	Check oil level. If low, add oil. Do not overfill.
	Coolant level indicator	Check coolant level. If low, add coolant. Do not overfill.
	Air pressure indicator	Check air pressure. If low, add air. Do not overfill.

90

Operating Instructions

To Start:

1. Check fuel, coolant, engine oil and compressor oil
2. Turn power switch ON
3. Push start button
4. Push load button when engine has warmed up. (display will read "Ready to Load")
5. Open service valves

To Shut Down

1. Close service valves
2. Press load button to unload unit
3. Press stop button
4. Turn OFF Power switch

70

Priming Pump with Water Separator

160

CAUTION

Do not mix oil brands. Follow Atlas Copco operating instructions for proper maintenance, lubricant grades and change intervals. Use only selected lubricant specified by Atlas Copco. Failure to comply will void warranty and may result in equipment damage.

20

GENOIL S

140

CAUTION

Coolant must meet ASTM D6210 specifications. Incorrect coolant will result in engine and radiator damage. Refer to instruction manual.

CAUTION

BURN HAZARD

Keep clear. Hot exhaust may burn. Failure to comply may result in moderate or minor injury.

CAUTION

TAMPERING WITH SAFETY RELIEF VALVES MAY CAUSE HAZARDOUS FAILURE OF PRESSURE VESSELS

Do not use oil tanks. Failure to follow proper operating instructions for proper maintenance, lubricant grades and change intervals. Use only selected lubricants specified by Atlas Copco. Failure to comply will void warranty and may result in equipment damage.

DANGER

Before all pressure before opening of air cap or any other. Contents under pressure. Failure to comply will result in death or serious injury.

WARNING

Engine is hot and/or oil is hot. Failure to comply with the following could result in death or serious injury.

1. Never remove the battery cover.
2. Never disconnect the battery while the engine is running. When working with a battery, always wear eye protection and use the correct disconnecting kit specified by Atlas Copco.
3. Never use the battery with the heat or voltage level as specified and register.
4. Disconnect the battery and register.

10

DANGER

SEVERE HAZARD! Machine can start automatically. Disconnect battery prior to servicing. Failure to comply could result in death or serious injury.

110

WARNING

SEVERE HAZARD! Machine can start automatically. Disconnect battery prior to servicing. Failure to comply could result in death or serious injury.

130

CAUTION

Do not leave hoses open while engine is running.

100

WARNING

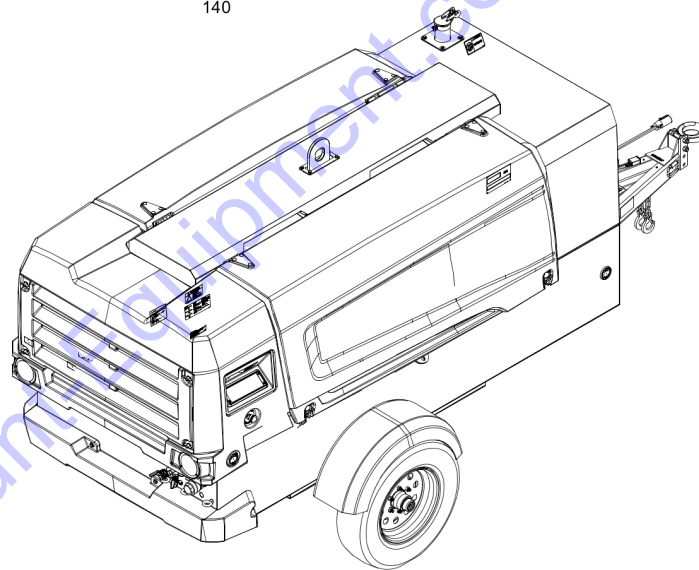
Hot exhaust may burn. Failure to comply may result in moderate or minor injury.

150

CAUTION

Do not disconnect battery cables when light is illuminated. Emissions system purge in process. Severe damage to emissions system may occur!

50



WARNING

Breathing diesel engine exhaust exposes you to chemicals known to the State of California to cause cancer and birth defects or other reproductive harm.

- Always start and operate the engine in a well-ventilated area.
- If in an enclosed area, vent the exhaust to the outside.
- Do not modify or tamper with the exhaust system.
- Do not idle the engine except as necessary.

For more information go to www.P66warnings.ca.gov/diesel.

120

CAUTION

DO NOT DISCONNECT BATTERY CABLES WHEN LIGHT IS ILLUMINATED. EMISSIONS SYSTEM PURGE IN PROCESS. SEVERE DAMAGE TO EMISSIONS SYSTEM MAY OCCUR!

80

DEF ONLY

DEF ONLY

DEF ONLY

60

CAUTION

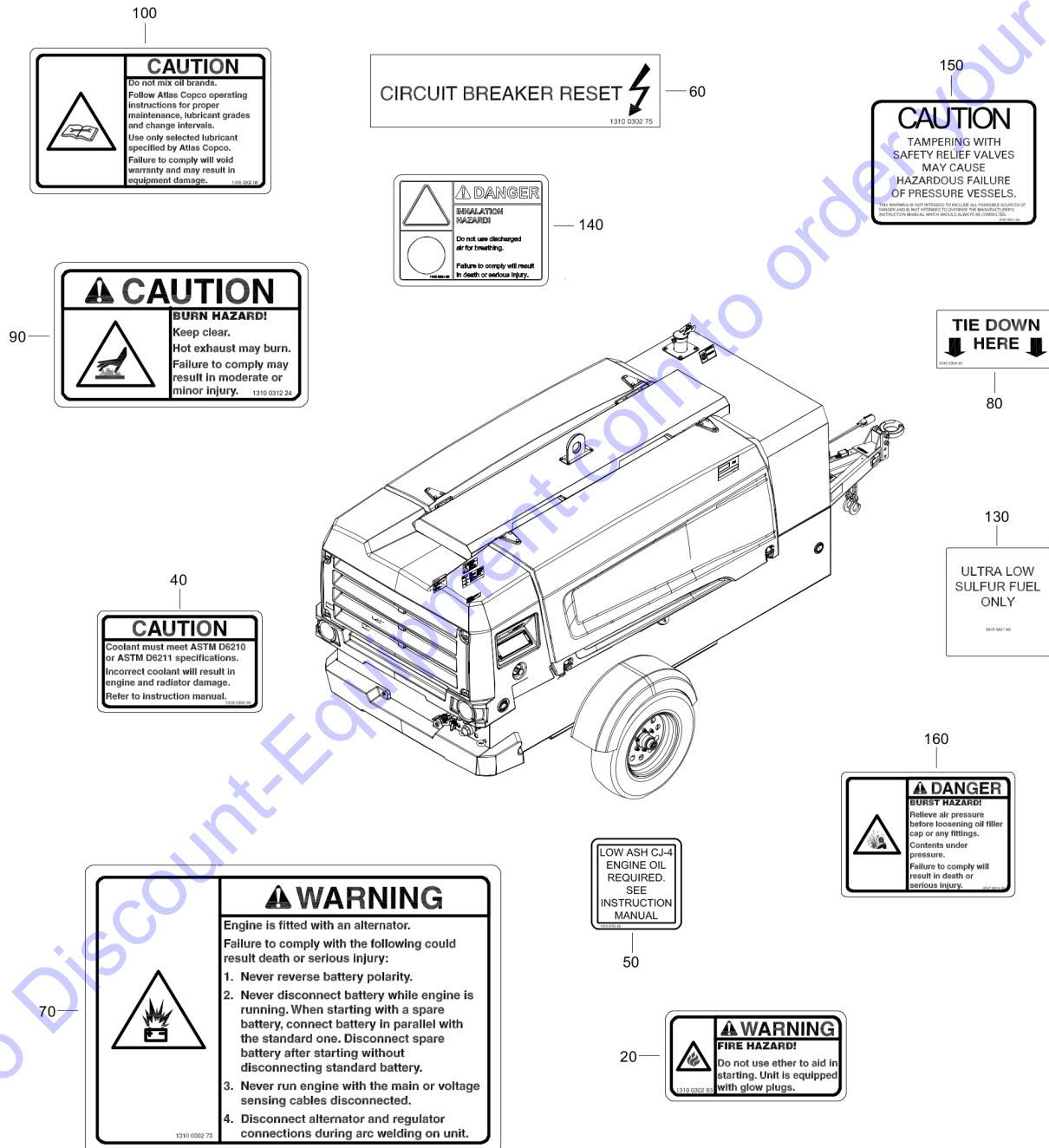
Hot exhaust may burn. Failure to comply may result in moderate or minor injury.

40

Id	Qty	Number	Name	Specifications
10	1	1316269300	LABEL SHEET	
20	1	1316020208	LABEL:OIL TYPE CPS	
40	4	0129310300	BLIND RIVET 2.4 * 5	
50	1	1079990361	DECAL	
60	1	1310070141	LABEL:SHEET DEF WARNINGS	
70	1	1310600338	LABEL:OPERATING INSTRUCTION T4	
80	1	1310070102	LABEL:BATTERY DISCONNECT WARN	
90	1	1316020149	LABEL: AFTERTREATMENT SYMBOLS	
100	2	1310070800	DECAL LABEL: DO NOT LEAVE	
110	1	1310075322	LABEL:HIGH PRESSURE HOSE WARN	
120	1	1310600541	LABEL:CALIFORNIA PROP 65, SMTH	
130	1	1310035372	LABEL:WARNING-UNIT CAN START	
140	1	1316020214	LABEL:GENOIL	
150	1	1316020796	DECAL: HOT SURFACE	
160	1	1310600436	LABEL:FUEL FILTER & SEPARATOR	

Go to Discount-Equipment.com to order your parts

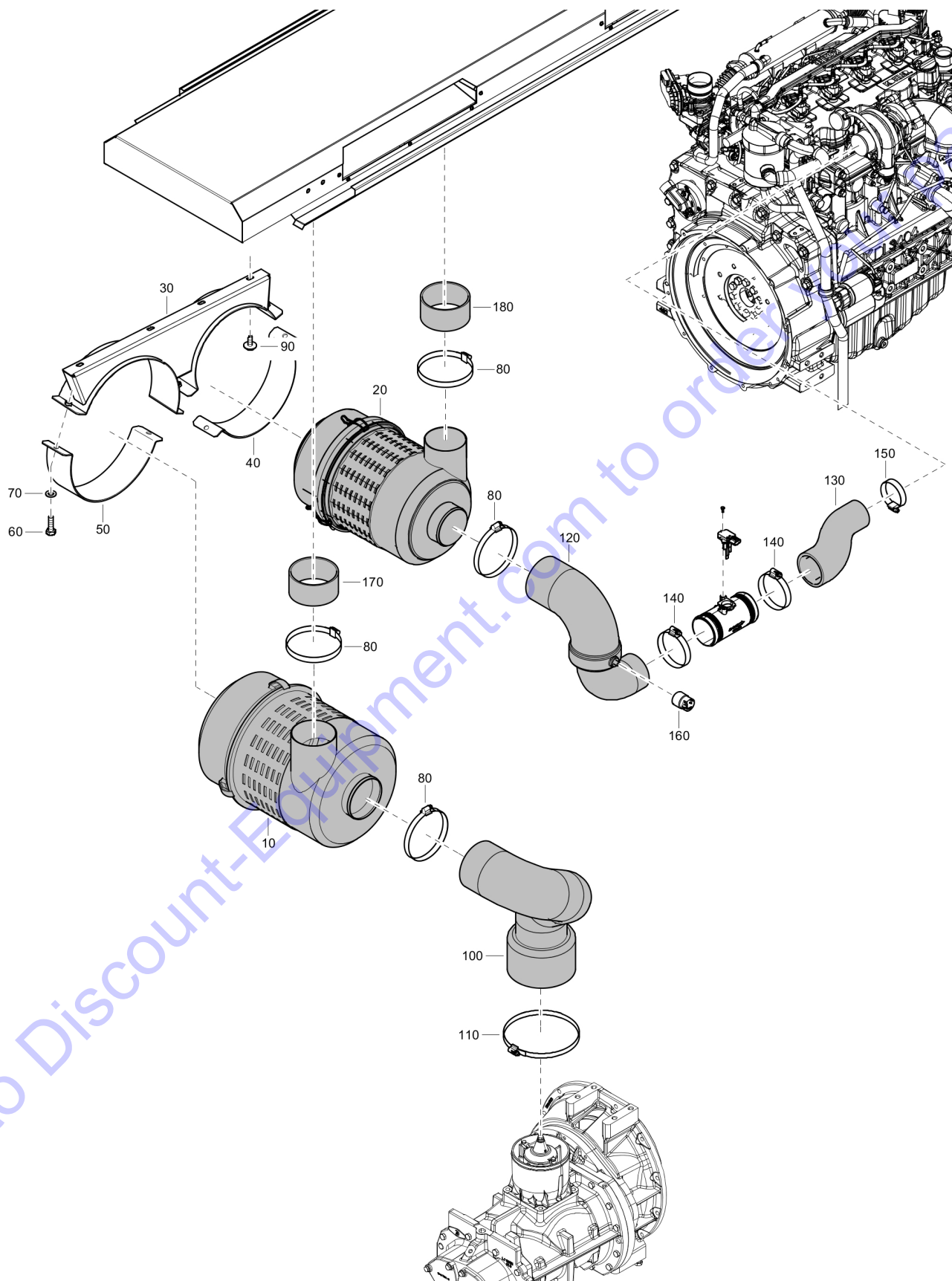
Not Illustrated			
Ref	Part Number	Designation	Qty
110	1310 0750 47	Label	1



Go to Discount-Equipment.com to order your parts

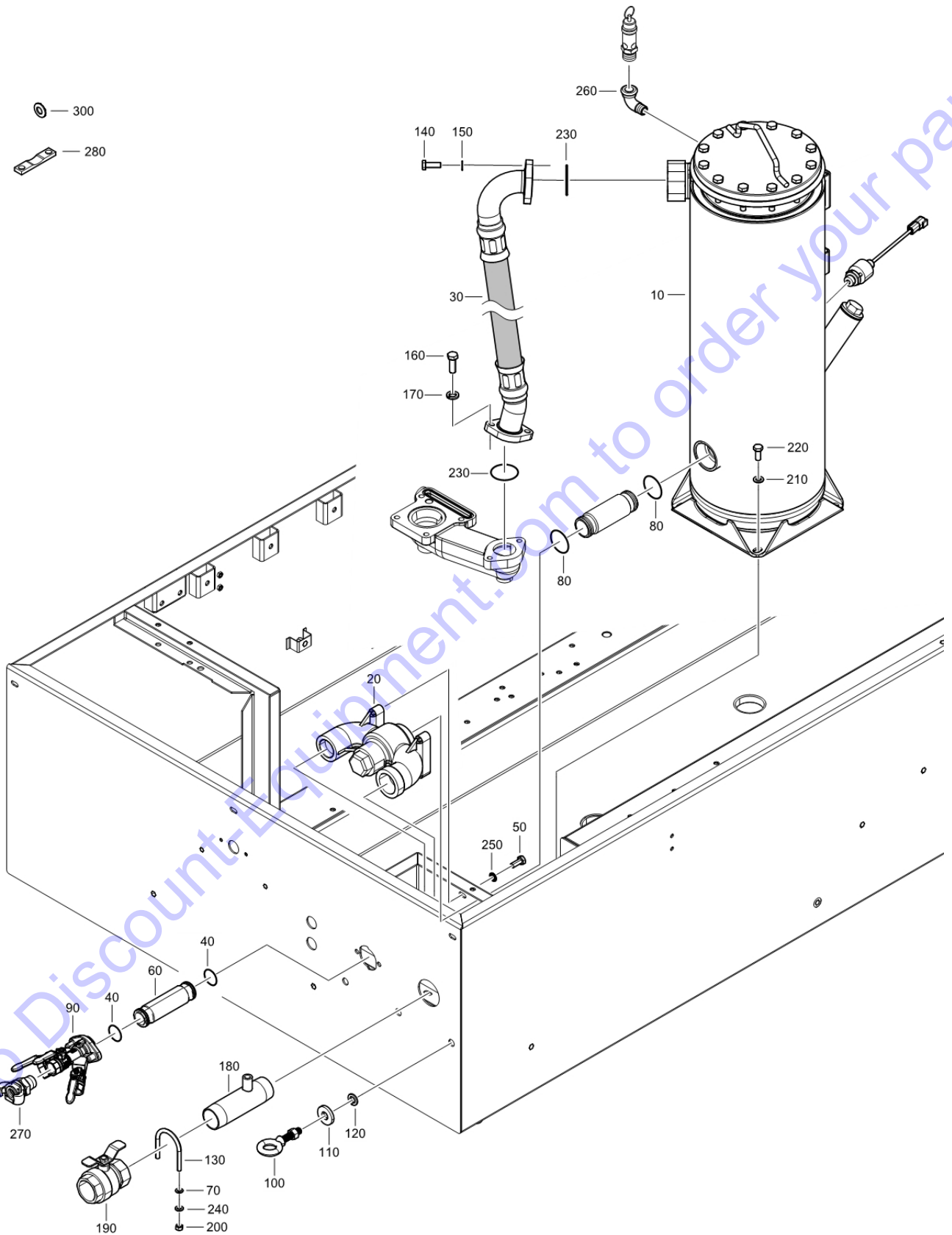
Id	Qty	Number	Name	Specifications
20	1	1310030283	LABEL:WARNING-DO NOT USE START	
40	1	1310035695	LABEL:COOLANT REQUIREMENT.	
50	1	1310075355	LABEL:LOW ASH OIL CJ-4 REQWIR	
60	2	1310030275	LABEL: CIRCUIT BREAKER	
70	1	1310030273	LABEL:ALTERNATOR CAUTION	
80	4	1310035495	LABEL:TIE DOWN HERE XAS	
90	3	1310031324	LABEL:CAUTION HOT EXHAUST	
100	1	1316020208	LABEL:OIL TYPE CPS	
110	1	1310075047	LABEL:TIRE LOADING XAS 400 FT4	
130	1	8915002180	LABEL:LOW SULFUR FUEL REQUIRED	
140	1	1310266492	LABEL:DANGER-AIR DISCH FROM TH	
150	1	9747601200	LABEL CAUTION TAMPERING	
160	1	9747601400	LABEL:DANGER-REC AIR PRESS MUS	

Go to Discount-Equipment.com to order your parts

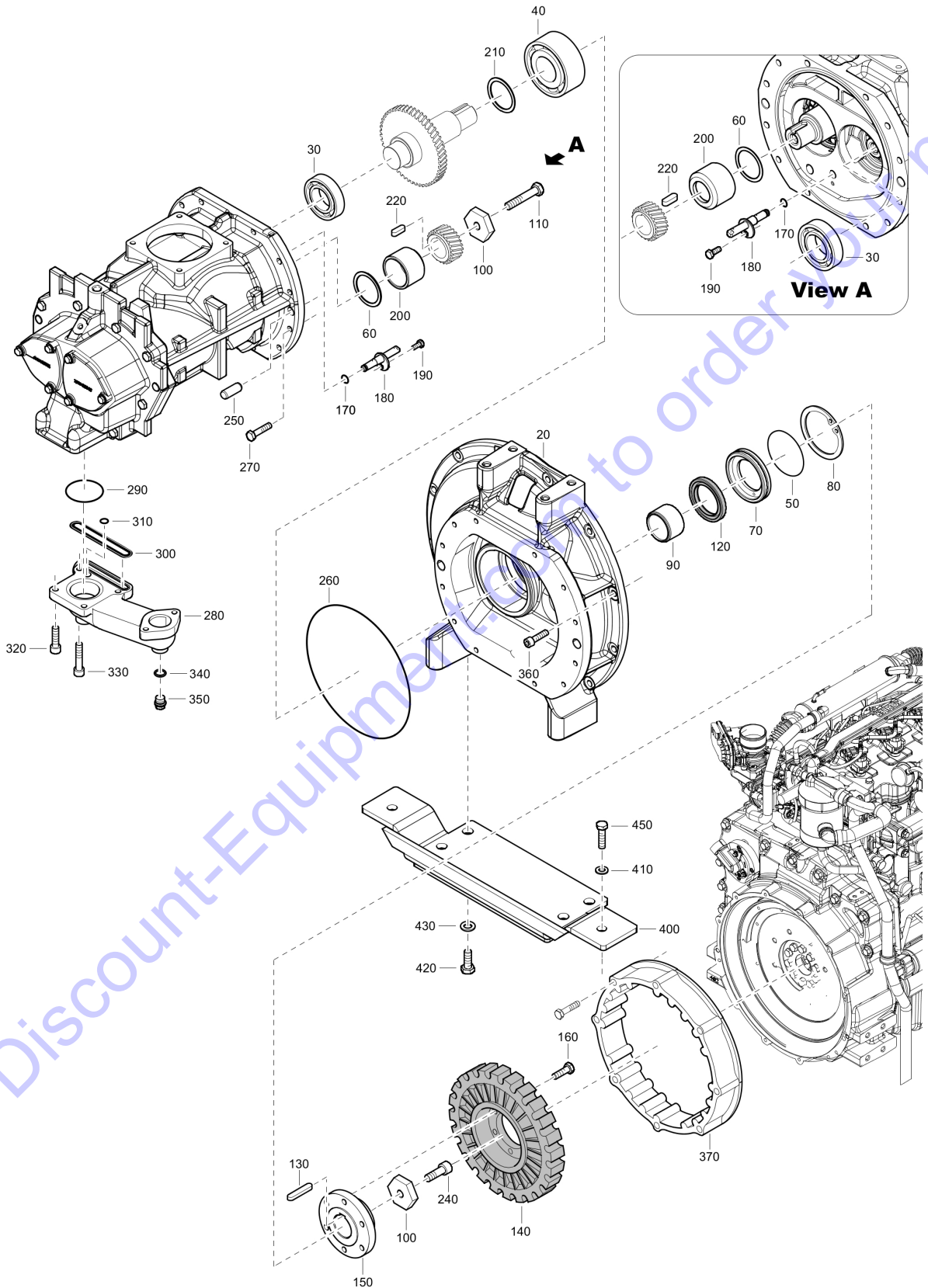


Id	Qty	Number	Name	Specifications
10	1	2205176611	AIR FILTER	
20	1	1310166700	FILTER-AIR:XAS 400 JD MBRAND	
30	1	1316149500	SUPPORT:AIR FILTERS XAS440 CD	
40	1	1310669900	CLAMP:FILTER SMALL XAS400	
50	1	1310669800	CLAMP:FILTER LARGE XAS400	
60	4	0147132603	HEX HEAD SCREW	
70	4	0301233500	PLAIN WASHER	
80	4	0347611900	Hose clamp	
90	4	1615566400	HEX. HEAD SCREW	
100	1	1316173700	TUBE:ELEMENT INLET FORMED KDI	
110	1	0347612100	HOSE CLIP	
120	1	1316173800	TUBE:FILTER TO MAF FORMED KDI	
130	1	1316174100	HOSE:TURBO AIR INLET CPS400KDI	
140	2	0347610021	HOSE CLAMP	
150	1	0347610019	Hose clamp	
160	1	1310072437	INDICATOR:RESTRICTION 6.0 KPA	
170	1	1615943800	HOSE	
180	1	1316225300	SLEEVE: 4.00" ID X 60MM LONG	

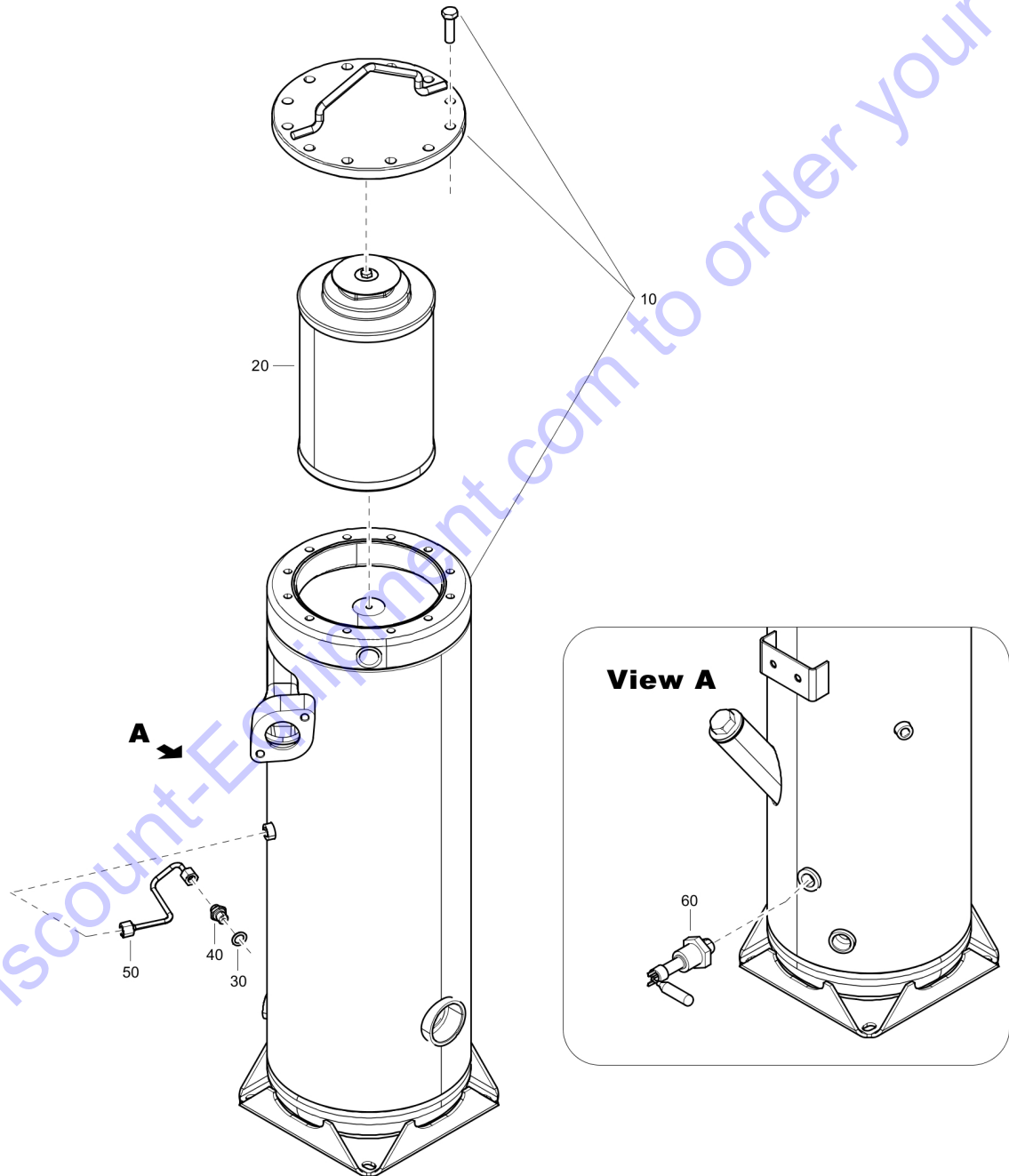
Go to Discount-Equipment.com to order your parts



Id	Qty	Number	Name	Specifications
10	1	1316294490	VESSEL ASY:AIR/OIL UB	
20	1	1604040681	VALVE ASSEMBLY	
30	1	1316276200	HOSE ASSY: AIR OUTLET	
40	2	0663312900	O-RING 29.2X3	
50	6	0147132303	HEX. HEAD SCREW M8 X 20	
60	1	1316113800	PIPE:FLOATING DISCH 400/440 JD	
70	8	0333222500	SPRING WASHER M8	
80	2	0663713400	O-RING 49.5X3	
90	1	1626857391	VALVE 3 WAY	
100	3	1310697050	EYEBOLT- NUT&SHLDR:1"IDX2"NECK	
110	3	0300027623	PLAIN WASHER	
120	3	0333217422	WASHER-LOCK:M14,SPLIT,\$STL,ZN	
130	1	1310032580	CLAMP-EXHAUST PIP:1.75+	
140	2	0147136303	SCREW HEXAGON	
150	2	0333223000	SPRING WASHER	
160	2	0147140203	HEX. HEAD SCREW M12 X 35	
170	2	0333223600	SPRING WASHER	
180	1	1316113701	PIPE:AIR OUTLET W/BOSS	
190	1	1310074881	BALL VALVE:1 1/2+ NPT 400JD	
200	2	0268320500	NUT	
210	4	0301234400	PLAIN WASHER M10	
220	4	0147136203	HEX. HEAD SCREW M10 X 25	
230	2	0663713500	O-RING 54.5 X 3	
240	2	0301233500	PLAIN WASHER	
250	4	0300801900	WASHER M8	
260	1	1310076118	ELBOW:3/4+ STREET 90 GALV	
270	3	1638184300	COUPLING	
280	1	1316250400	SPACER:AIR OUTLET	
300	1	1088001902	CONTACT WASHER SPEC MD	

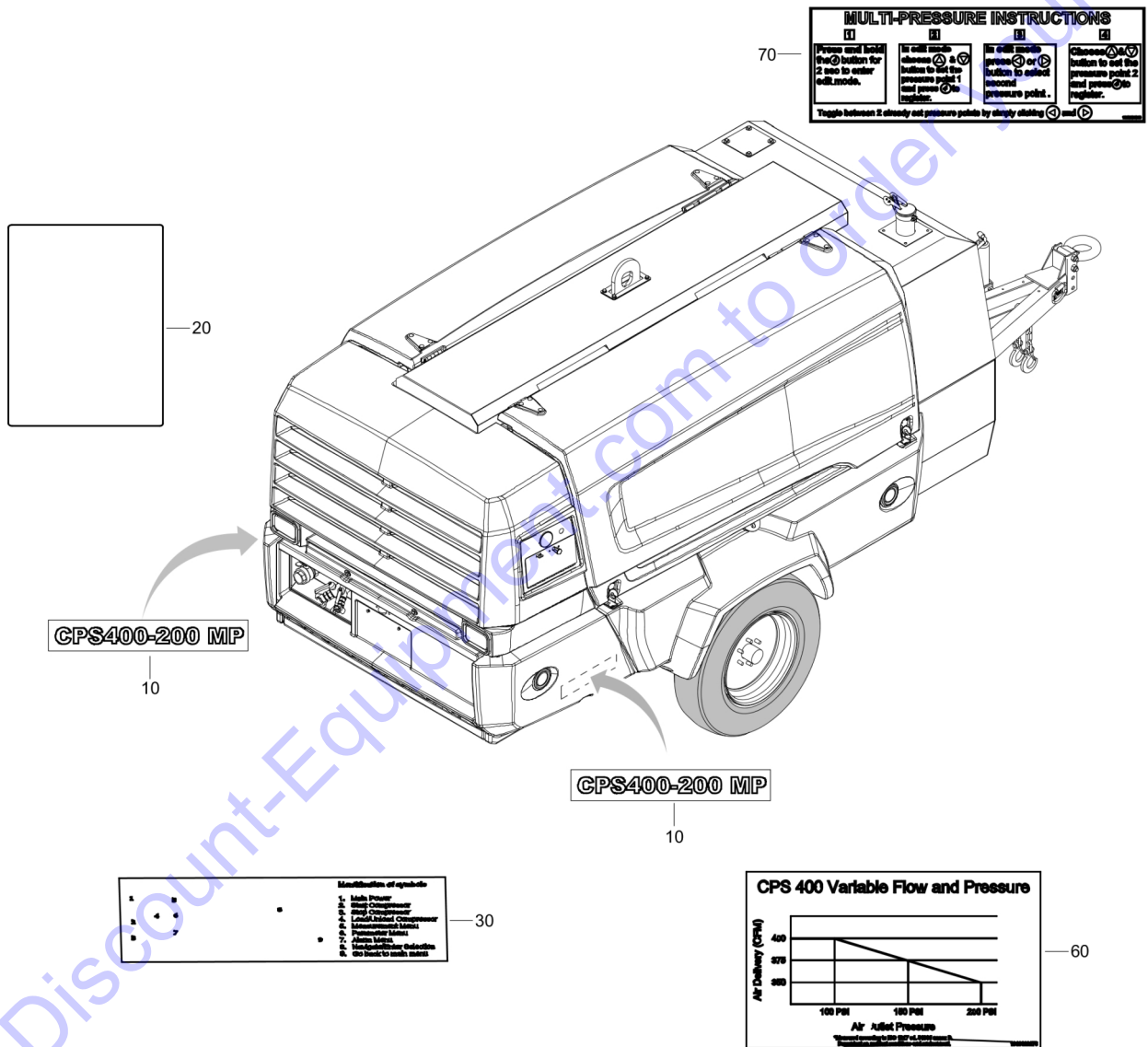


Id	Qty	Number	Name	Specifications
20	1	1604029101	Gear casing	
30	1	0502109021	BALL BEARING	
40	1	0504020013	ROLAMENTO	
50	1	0663210616	O-RING	
60	1	1638180500	SPACER -	
70	1	1604029200	RETAINER	
80	1	0335216900	INT.CIRCLIP	
90	1	1626230700	BUSHING	
100	2	1316183800	WASHER:HEX SPACER BEVELED	
110	1	0211140800	HEX. SOCK M12X65X12.9	
120	1	1616562500	LIPSEAL	
130	1	0337719800	KEY-PARALLEL	
140	1	1615682500	COUPLING	
150	1	1316183401	COUPLING HUB:M39.8IDXM95	
160	6	0147111057	SCREW:M10X30;HXHD,ZN PLT,12.9	
170	1	0663210784	O-RING	
180	1	1622870400	OIL NOZZLE C106-C111 ELEMENT	
190	1	3161038800	SCREW	
200	1	1604027201	BUSHING	
210	1	1626228701	SPACER -	
220	1	0337715200	PARALLEL KEY	
240	1	0211196482	HEX SOCK. SCREW	
250	2	0101195140	PARALLEL PIND=16 L=40 TOLER.M6	
260	1	0663210322	O-RING 264X3	
270	12	0147136503	HEX. BOLT	
280	1	1604694505	MANIFOLD	
290	1	0663713800	O-RING 69.5X3	
300	1	0663714100	O-RING	
310	1	0663311700	O-RING	
320	1	0211196417	SCREW	
330	3	0211196407	HEX SOCK. SCREW	
340	1	0653111500	GASKET 18X24X15	
350	1	0686423018	HEXAGON PLUG	
360	12	0211585513	SCREW: .375-16X1.25L SHCS FZB	
370	1	1310462900	COUPLING RING:XAS	
400	1	1316170001	COMPRESSOR SUPPORT	
410	2	0301234400	PLAIN WASHER M10	
420	4	0147140303	HEX. HEAD SCREW M12 X 40	
430	4	0301235800	PLAIN WASHER	
450	2	0147136403	HEX. BOLT M10X35X8.8	



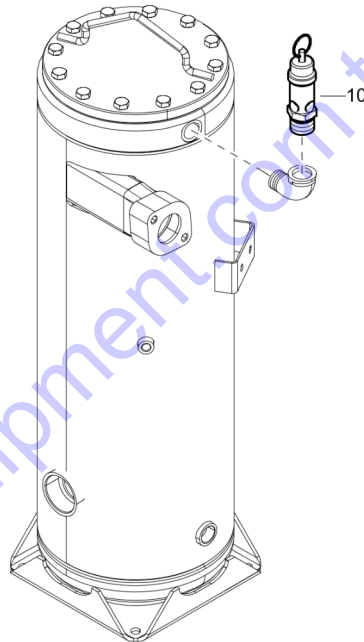
Id	Qty	Number	Name	Specifications
10	1	1316130580	VESSEL ASY:AIR/OIL SIZE 1	
20	1	1638647300	SEPARATOR	
30	1	0653106200	GASKET 13 X 20 X 1.5	
40	1	1619520500	NIPPLE	
50	1	1316130600	VESSEL:SCAVENGE LINE	
60	1	1616510800	LEVEL GAUGE	

Go to Discount-Equipment.com to order your parts



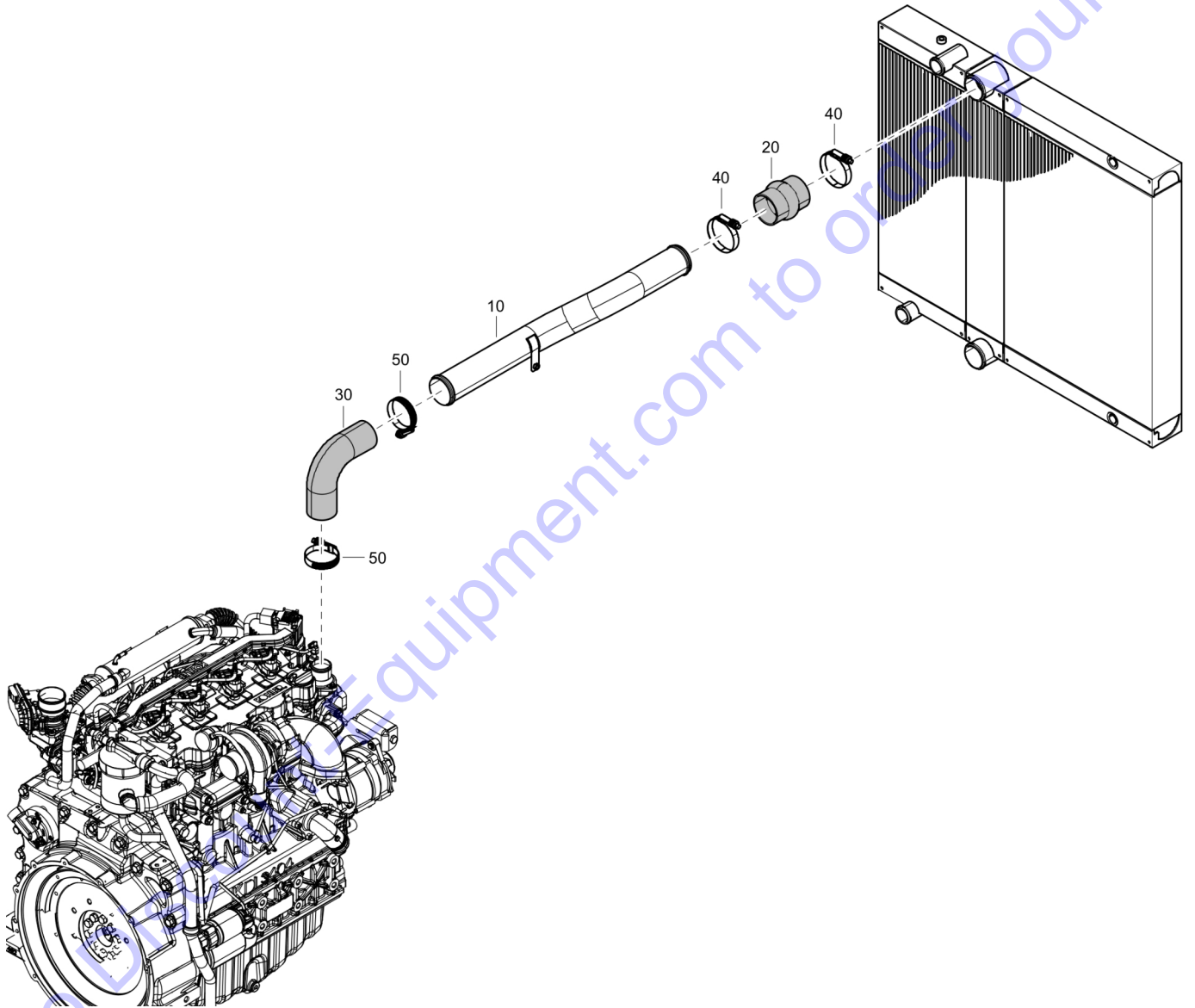
Id	Qty	Number	Name	Specifications
10	2	1316204505	LABEL:CPS 400-200 MP KOD	
20	1	1317005076	LABEL: RSPL LABEL	
30	1	1310600337	LABEL:CONTROLLER, XC2003	
60	1	1316020270	LABEL:CFM CHART CPS 400-200 MP	
70	1	1316021019	LABEL:MULTI-PRESSURE	

Go to Discount-Equipment.com to order your parts



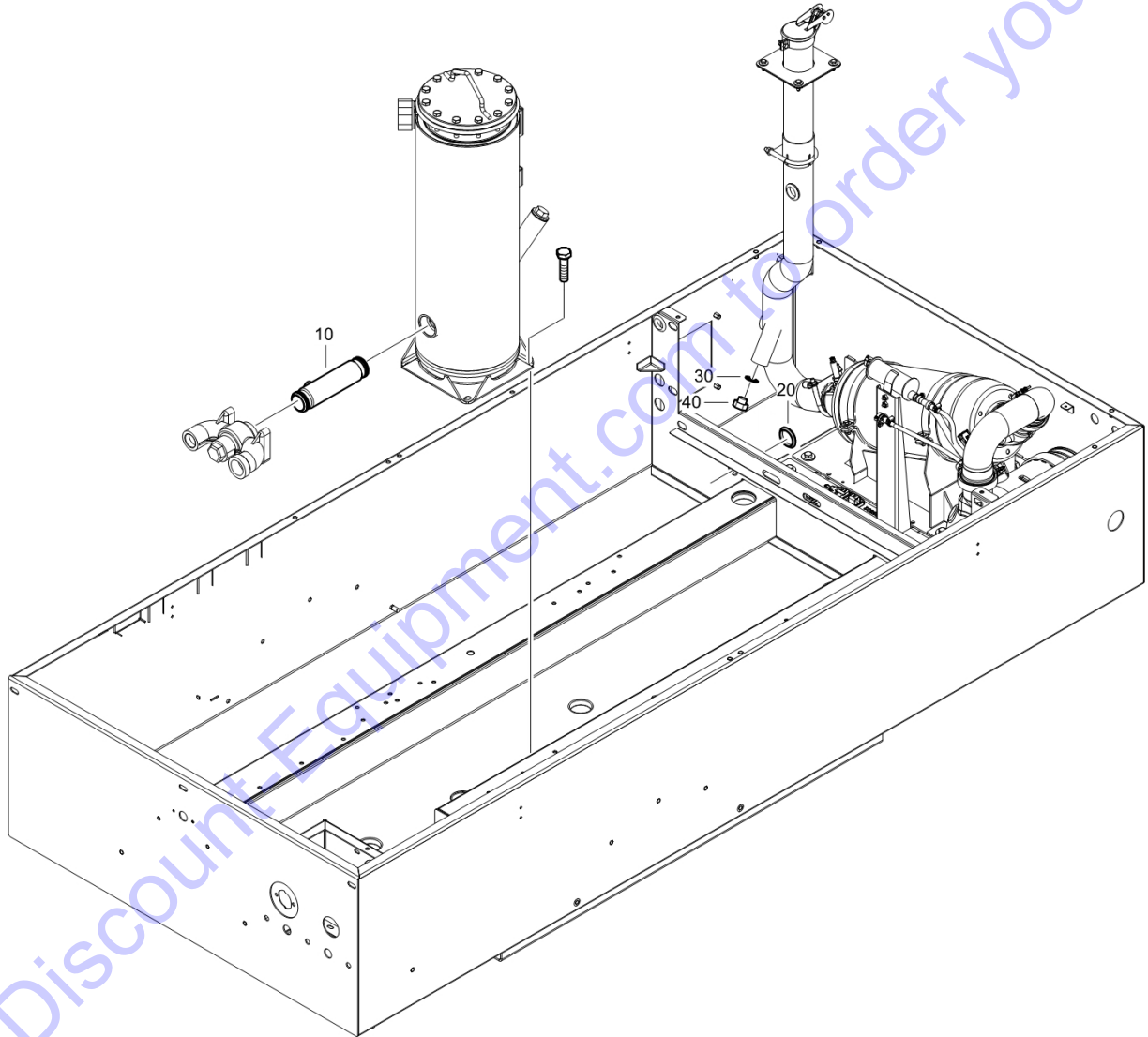
Id	Qty	Number	Name	Specifications
10	1	1310075029	VALVE-SAFETY	

Go to Discount-Equipment.com to order your parts



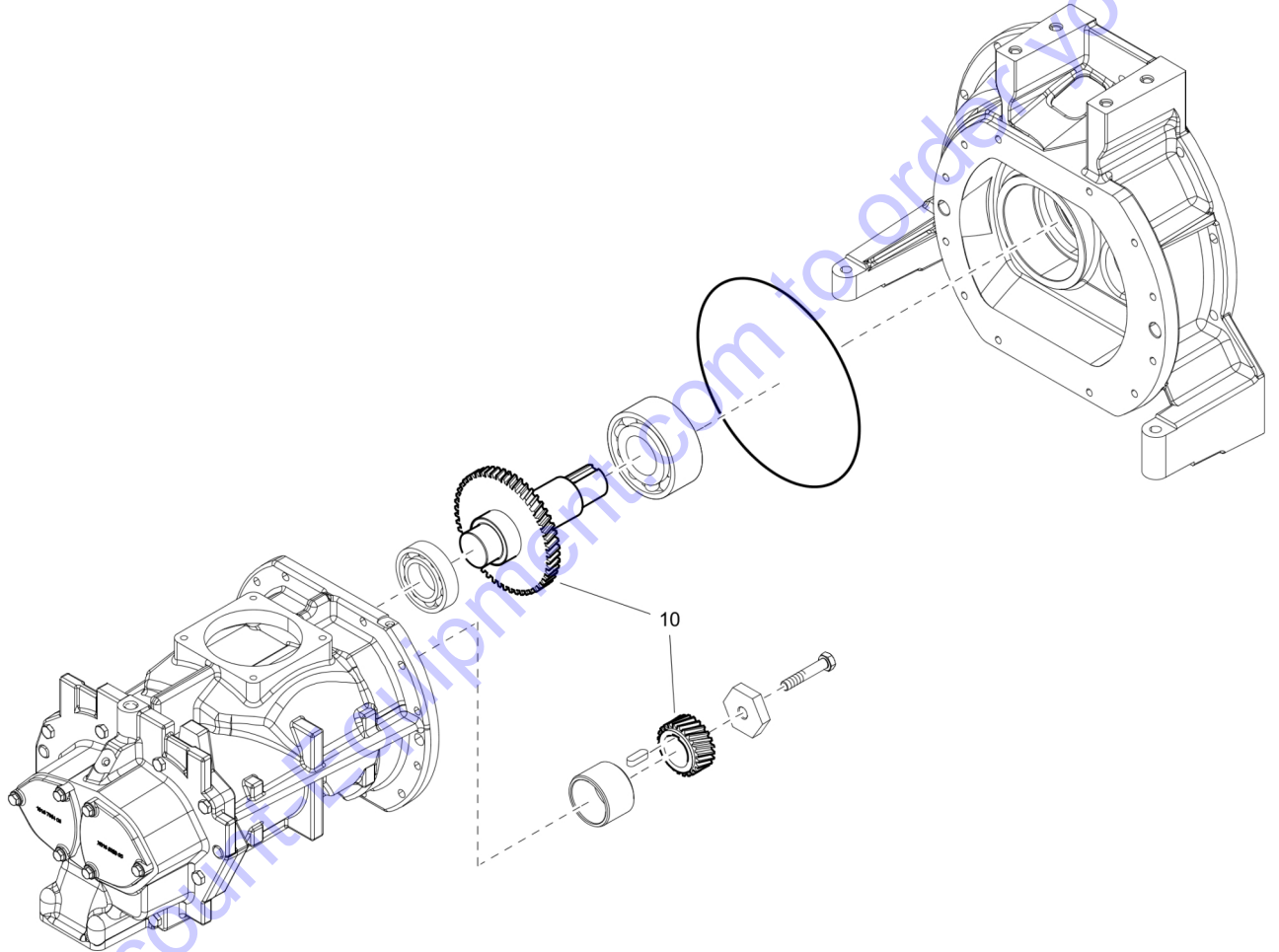
Id	Qty	Number	Name	Specifications
10	1	1316175002	Pipe:cac to engine	
20	1	1310072311	CONNECTOR:CAC 3.00 HUMP	
30	1	1310075382	ELBOW:CAC 2.5 ID	
40	2	1310075626	CLAMP-HOSE:M71/95D CONST-TORQ	
50	2	1310075624	CLAMP-HOSE:M59/83D CONST-TORQ	

Go to Discount-Equipment.com to order your parts



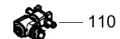
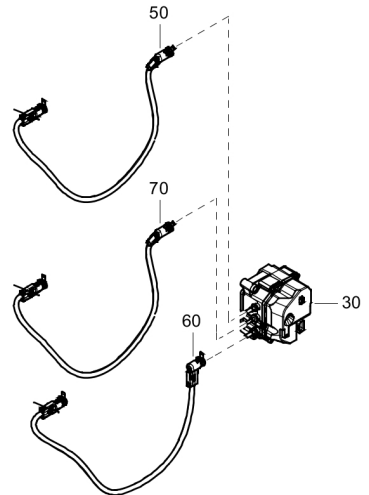
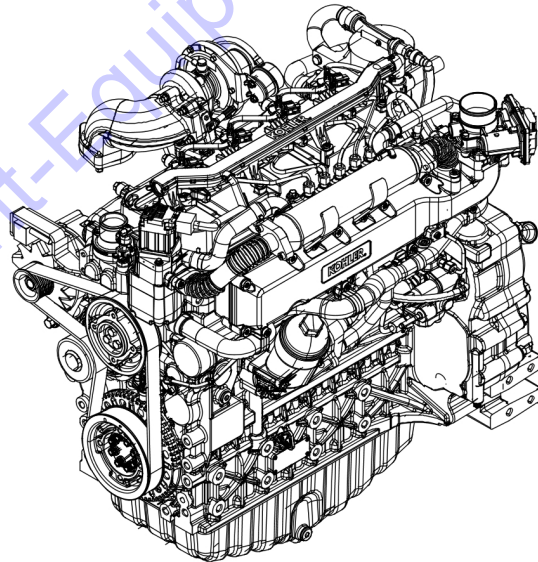
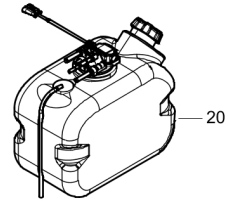
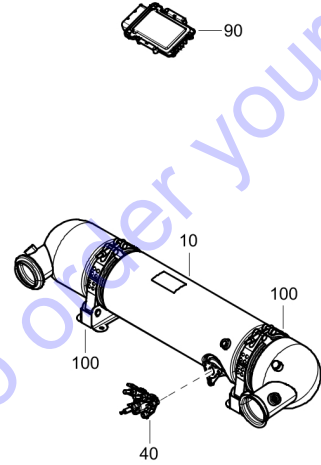
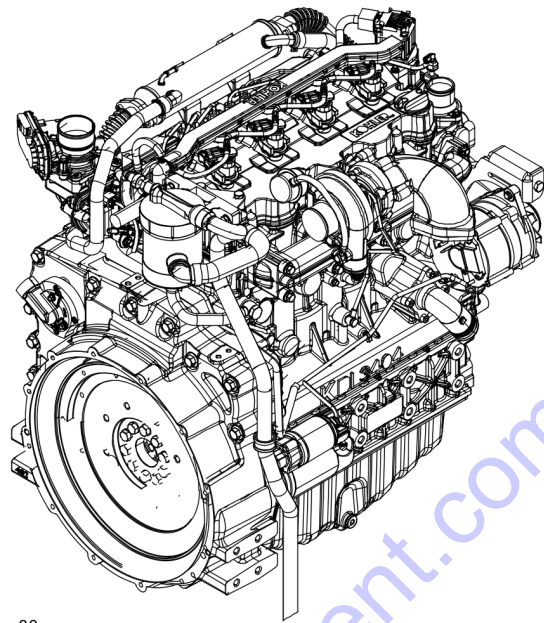
Id	Qty	Number	Name	Specifications
10	1	1638795000	AIR OUTLET PIPE	
20	1	1316010232	PLUG:1-3/8" HOLE	
30	1	0653116500	FLAT GASKET	
40	1	1615508000	PLUG:VESSEL, G3/4, RELIEF CUT	

Go to Discount-Equipment.com to order your parts



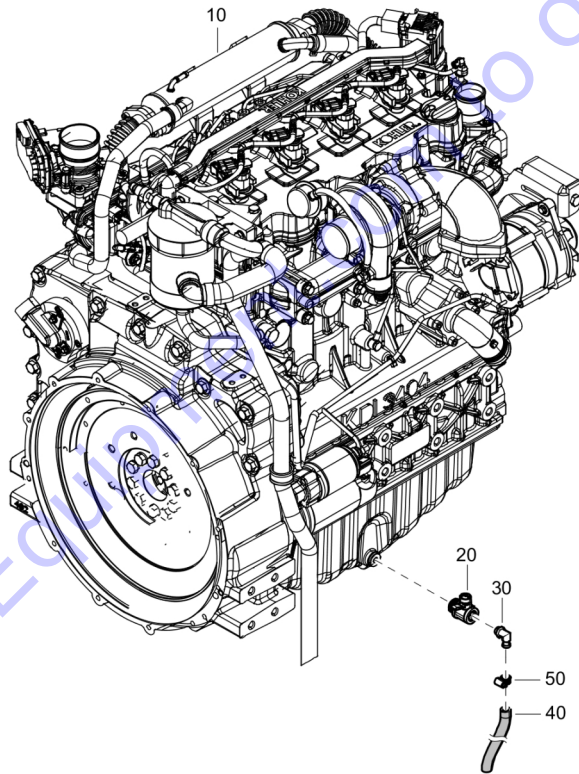
Id	Qty	Number	Name	Specifications
10	1	1626566191	GEAR SET	

Go to Discount-Equipment.com to order your parts



Id	Qty	Number	Name	Specifications
10	1	1316012520	Doc/scr:kohler	
20	1	1316012521	Def tank:ad blue	
30	1	1316012522	DEF PUMP:AD BLUE CPS 400 KOD	
40	1	1316012523	Def doser:ad blue	
50	1	1316012524	HOSE:DEF SUCTION CPS 400 KOD	
60	1	1316012525	HOSE:DEF BACKFLOW CPS 400 KOD	
70	1	1316012526	HOSE:DEF PRESSURE CPS 400 KOD	
80	1	1316012527	Ecu:kdi3404tcr	
90	1	1316012528	Dcu:kdi3404tcr	
100	2	1316012529	Clamp:doc/scr	
110	1	1316012530	Heating valve	

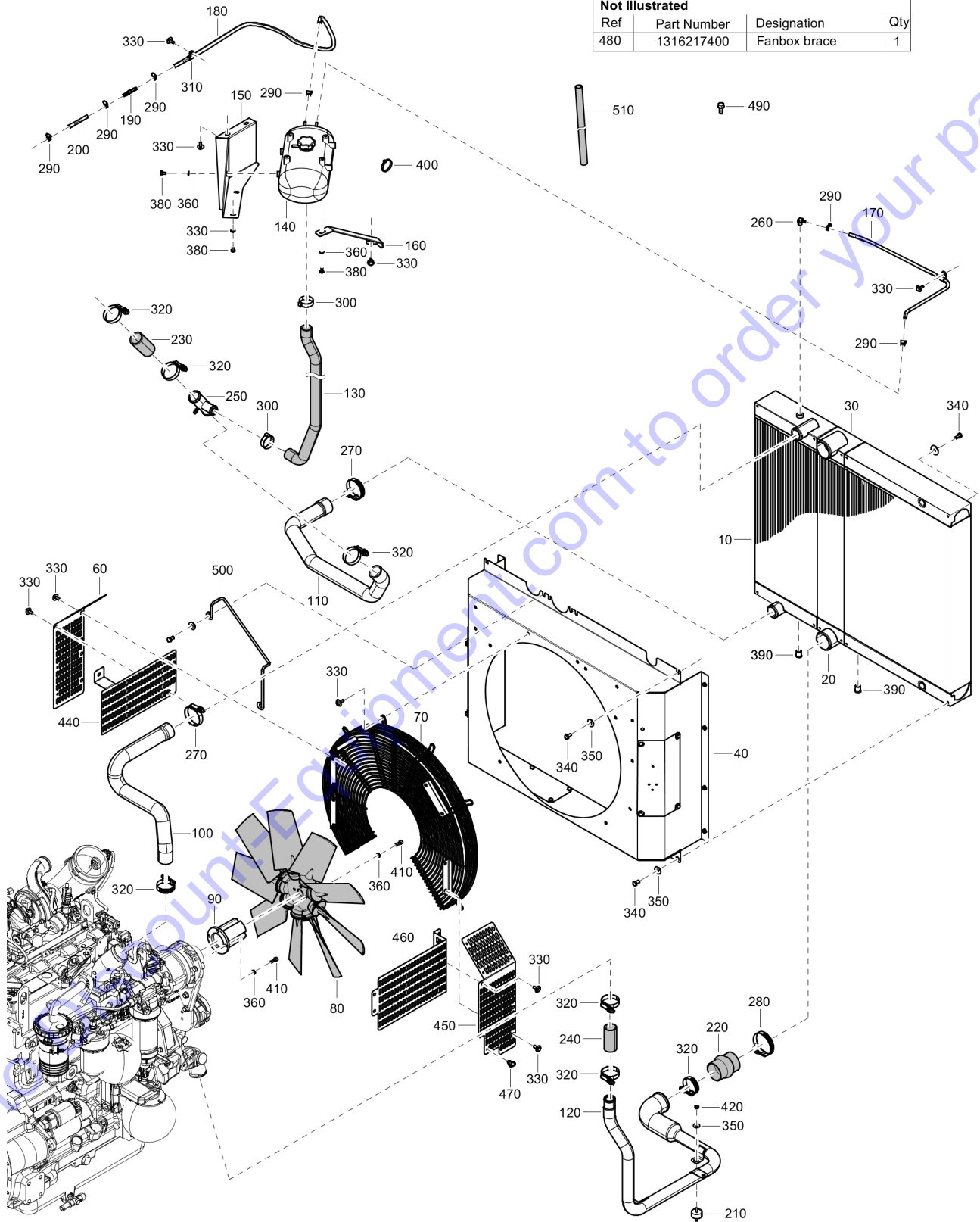
Go to Discount-Equipment.com to order your parts



Id	Qty	Number	Name	Specifications
10	1	1316012500	ENGINE:CPS 400 KOHLER	
20	1	1316020112	VALVE:OIL DRAIN M18	
30	1	1316020114	BARB-ELBOW:EZ DRAIN 3/8"	
40	1	0075402569	TUBE	
50	1	1310032384	CLAMP-HOSE: .25- .62,SIZE 4	

Go to Discount-Equipment.com to order your parts

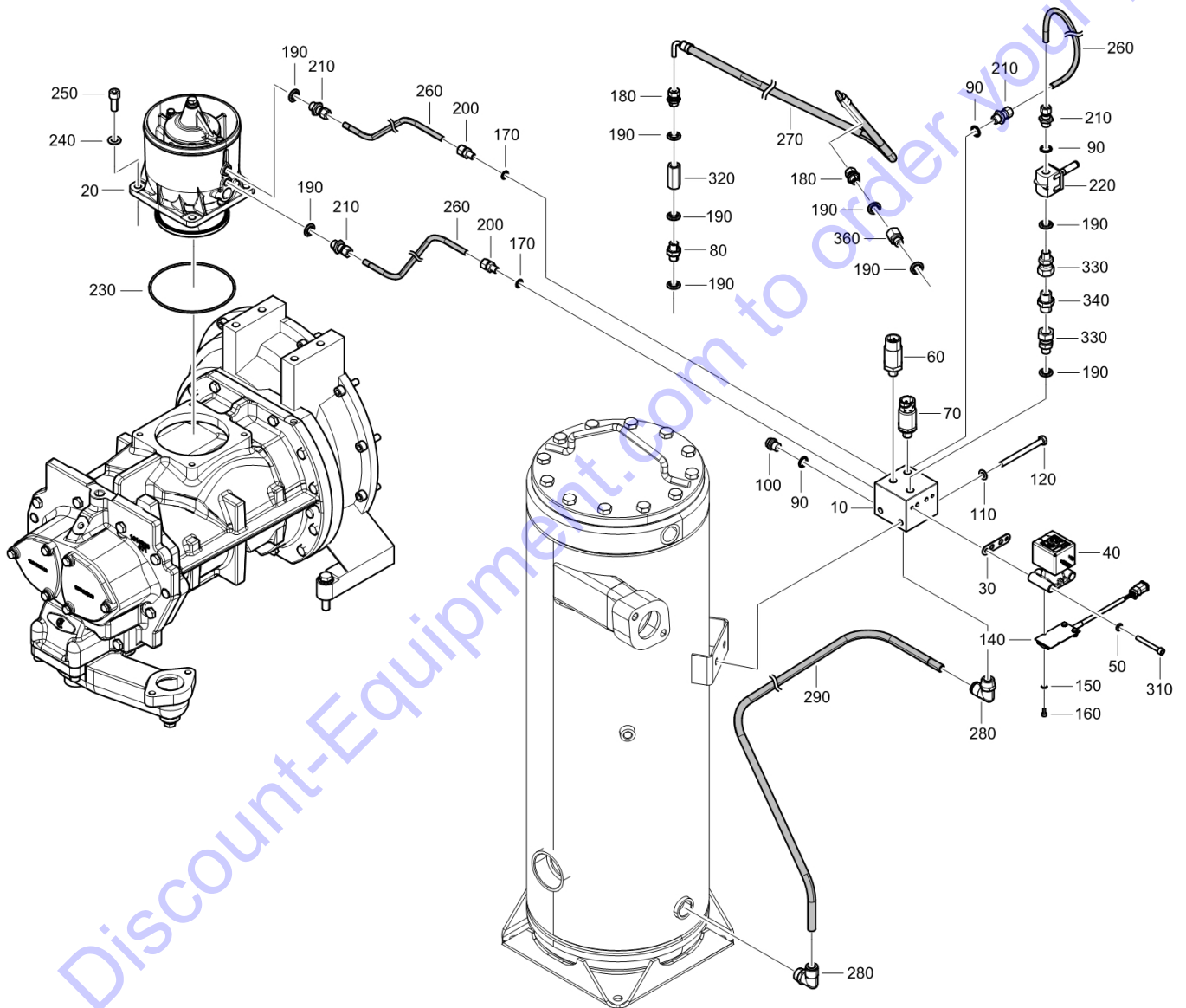
Not illustrated			
Ref	Part Number	Designation	Qty
480	1316217400	Fanbox brace	1



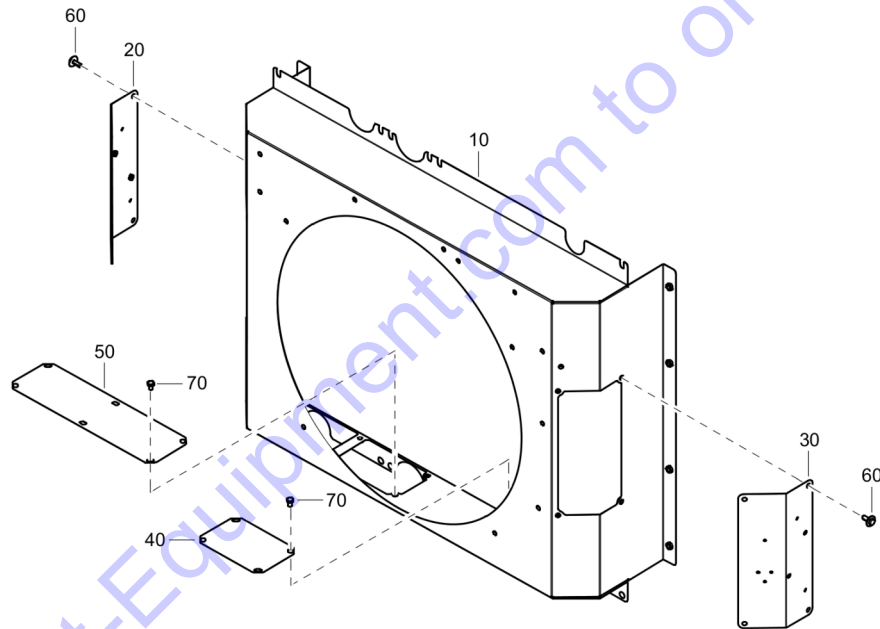
Id	Qty	Number	Name	Specifications
10	1	1310203001	RADIATOR:400 JD/CD T4F	
20	1	1310203011	OIL COOLER:400 JD/CD T4F	
30	1	1310203021	CAC COOLER:400 JD/CD T4F	
40	1	1316138782	FAN BOX ASY	
60	1	1316117152	GUARD-BELT:CPS 400 KOD LEFT	
70	1	1316139501	KIT:FAN GUARDS	
80	1	1316139400	FAN:28+ DIA.	
90	1	1316140305	FAN SPACER:CPS400 KDI	
100	1	1316174900	HOSE:UPPER RADIATOR CPS400 KDI	
110	1	1316174400	HOSE:COOLANT INLET CPS400 KDI	
120	1	1316174503	PIPE:CAC INLET	
130	1	1316139705	HOSE:COOLANT-ENGINE TO TANK	
140	1	1310074637	TOP TANK ASY:6L	
150	1	1316139800	TOP TANK SUPPORT	
160	1	1316139850	BRACKET - COOLANT BOTTLE	
170	3	1310031197	HOSE:.25IDX.09W,RUBBER,POLYMER	
180	1	0075402569	TUBE	
190	1	1316174604	PRESSURE REDUCER:1.5MM BARB	
200	2	0075402569	TUBE	
210	2	1316174605	ISOLATOR:BOBBIN M8X40MM	
220	1	1310072311	CONNECTOR:CAC 3.00 HUMP	
230	1	1310030103	Sleeve	
240	1	1316174600	SLEEVE:SI,41MMX100MM	
250	1	1316174700	PIPE:T-CONNECTION	
260	1	1310073196	ELBOW-HOSE:.25 NPTX.25 BARB	
270	2	1310075623	CLAMP-HOSE:M52/76D CONST-TORQ	
280	2	1310075626	CLAMP-HOSE:M71/95D CONST-TORQ	
290	7	1310032384	CLAMP-HOSE: .25- .62,SIZE 4	
300	2	0347610900	CLAMP	
310	1	1310036557	CLAMP:0.5" ID XM10,P-TYPE \$RBR	
320	6	0347610019	Hose clamp	
330	23	1615566400	HEX. HEAD SCREW	
340	32	0147132203	HEX. HEAD SCREW M8 X 16	
350	14	0300801900	WASHER M8	
360	12	0301233500	PLAIN WASHER	
380	4	0147132103	HEX. BOLT M8X14X8.8	
390	2	1310035525	PLUG-PIPE: .500NPT HEX HD	
400	5	0348010107	STRIP	
410	8	0211132503	HEX SOCK. SCREW M8 X 25	
420	2	0266211000	HEXAGON NUT M8	
440	1	1316208200	BRACKET:HEAT SHIELD CPS 400	
450	1	1316117153	GUARD-BELT:CPS 400 KOD RIGHT	
460	1	1316209300	BRACKET:HEAT SHIELD CPS 400	
470	3	0348010212	CABLE TIE: WITH FIR TREE MOUNT	
480	1	1316217400	FANBOX BRACE	

Id	Qty	Number	Name	Specifications
490	1	1619276600	SCR.BOLT M8X20	
500	1	1316199300	GUIDE: COOLANT BOTTLE LINE	
510	1	1310035556	HOSE:.3125IDX.4375OD,PVC,CLEAR	

Go to Discount-Equipment.com to order your parts



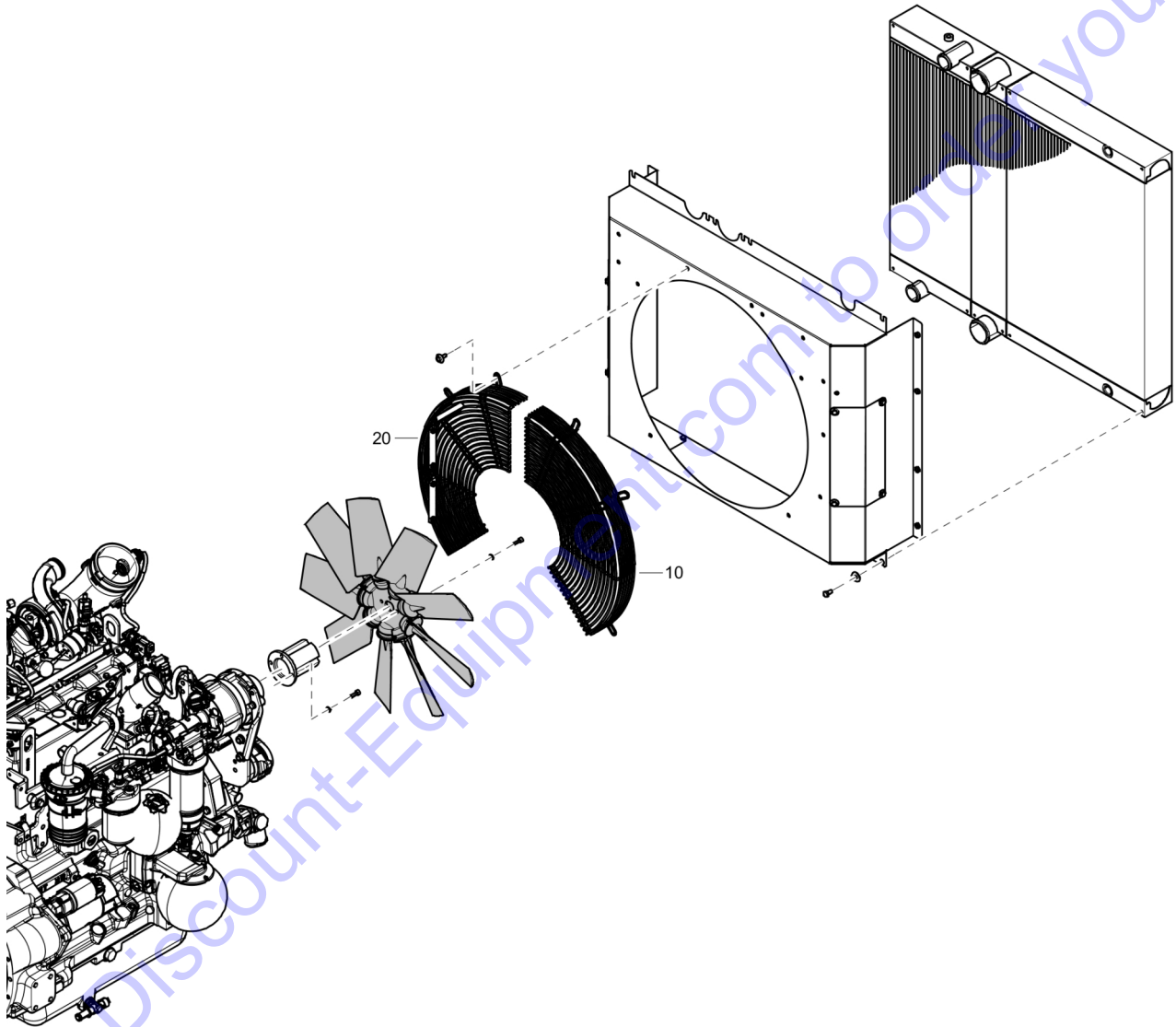
Id	Qty	Number	Name	Specifications
10	1	1638632800	MANIFOLD	
20	1	1638839380	UNLOADER: ASSY BLOW-OFF C90	
30	1	1638201600	GASKET:HEATER CORE PACE	
40	1	1638201401	VALVE:PROPORTIONAL SOLENOID	
50	2	0301232100	WASHER M6	
60	1	1607852288	PRESSURE SENSOR	
70	1	1607852293	PRESS. SENSOR:0 TO 3 BAR IP67	
80	1	1310072256	ADAPTER:G.25MALE X G.25MALE	
90	3	0653107000	GASKET 14 X 18 X 1.5	
100	1	0686371601	PLUG 1/4 AA	
110	2	0301233500	PLAIN WASHER	
120	2	0147133803	SCREW:M 8X 90;HEX HD,ZN PLT,\$S	
140	1	1638201700	HEATER CORE: PACE MANIFOLD	
150	2	0301231500	WASHER M4-T0.8	
160	2	0211117003	SCREW:M4X10 SHCS	
170	2	1310034579	WASHER-FLAT:M10.0/14.0X1.0MM	
180	2	0581000052	STRAIGHT PIPE COUPLING	
190	9	1316010222	WASHER-SEAL:M 13.7X20.57X2 \$ST	
200	2	0581000038	COUPLING:M 8ODTXG .125MALE NYL	
210	4	0581000035	COUPLING G1/4XD.8	
220	1	1089951504	VALVE-SOLENOID:12V 1/4G	
230	1	0663715000	O-RING	
240	4	0301234400	PLAIN WASHER M10	
250	4	0147111057	SCREW:M10X30;HXHD,ZN PLT,12.9	
260	3	0070600205	PLASTIC TUBE	
270	1	1310030081	HOSE ASY:SCAVENGE LINE 400	
280	2	0581120029	COUPLING:	
290	3	0070600206	TUBING:12 OD X 8.5 ID NYLON	
310	2	0211125403	SCREW:M 6 X 50MM SOCHD	
320	1	1316010219	VALVE-CHECK:G.25 0.5 BAR CRACK	
330	2	1310030461	ADAPTER:G.25M X G.375F SWIVEL	
340	1	1310030433	NIPPLE:G.375M X G.375M	
360	1	1638000000	REDUCER PRESSURE	



Go to Discount-Equipment.com to order your parts

Id	Qty	Number	Name	Specifications
10	1	1316138701	FAN BOX	
20	1	1316158100	PANEL:COOLER ACCESS OUTSIDE	
30	1	1316158101	PANEL:COOLER ACCESS OUTSIDE	
40	1	1316158000	PANEL:COOLER ACCESS INSIDE	
50	1	1316158001	PANEL:COOLER ACCESS INSIDE ROA	
60	8	1615566400	HEX. HEAD SCREW	
70	10	0147132003	HEX. HEAD SCREW	

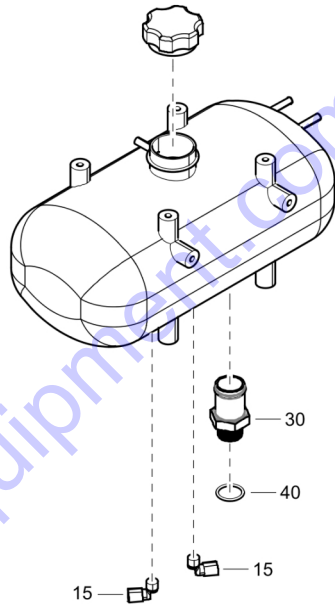
Go to Discount-Equipment.com to order your parts



Id	Qty	Number	Name	Specifications
10	1	1316139541	Fan guard:right hand	
20	1	1316139550	Fan guard:left hand	

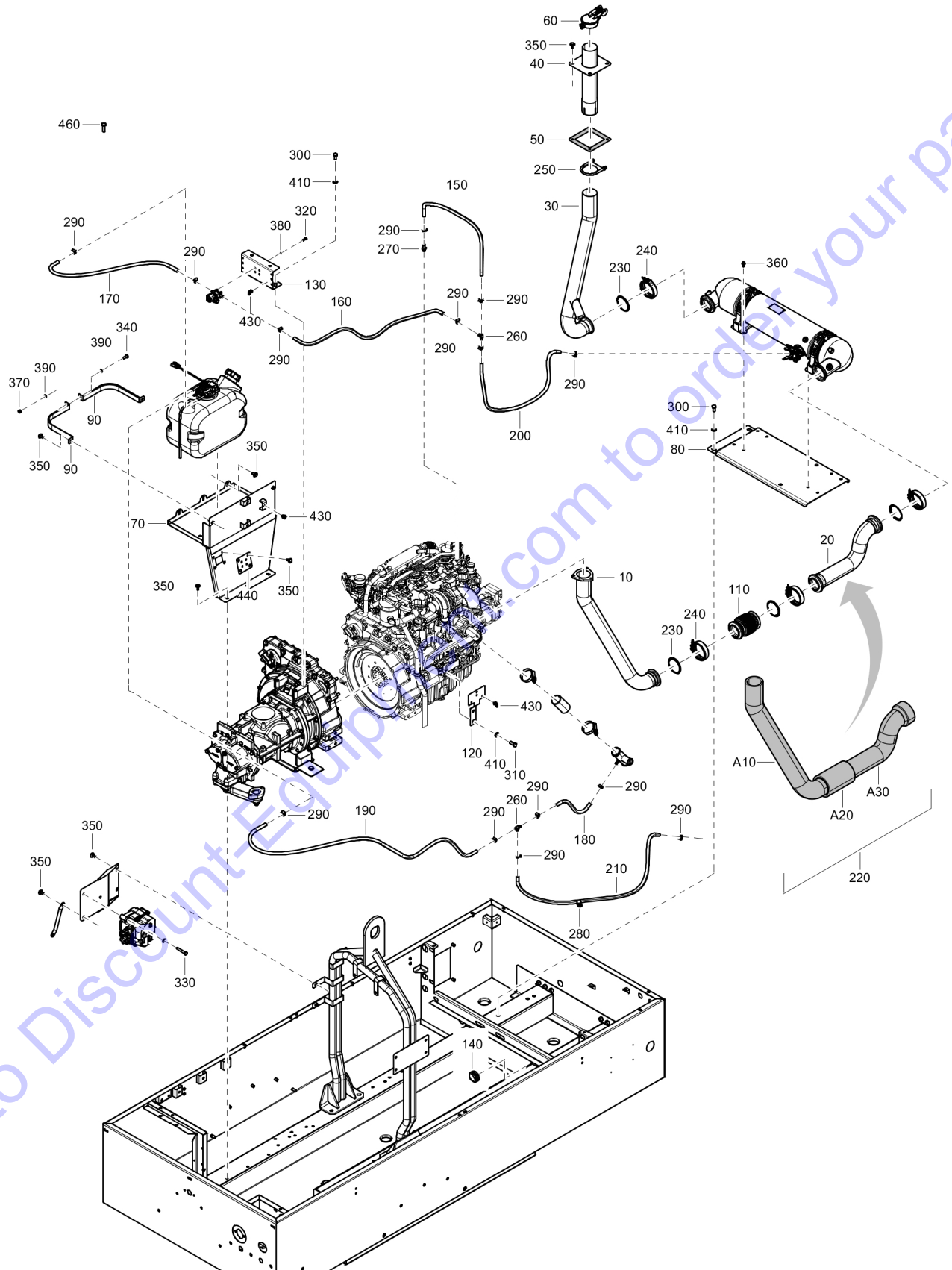
Go to Discount-Equipment.com to order your parts

Not Illustrated			
Ref	Part Number	Designation	Qty
50	1310266365	ELBOW FITTING:	1

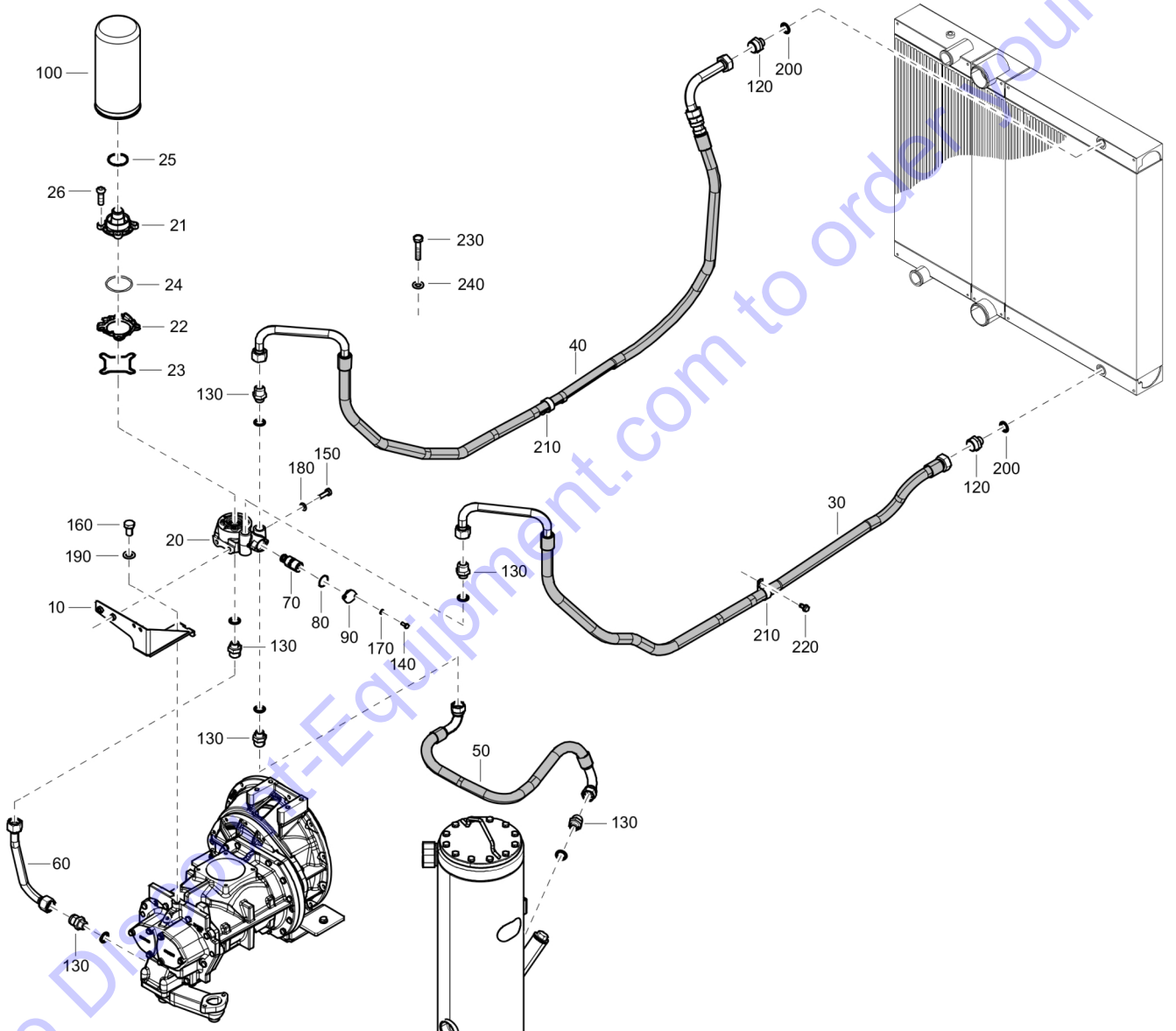


Id	Qty	Number	Name	Specifications
15	2	1310266366	LEVEL SWITCH	
30	1	1310266363	ADAPTER FITTING:	
40	2	1310266364	O-RING:	
50	1	1310266365	ELBOW FITTING:	

Go to Discount-Equipment.com to order your parts



Id	Qty	Number	Name	Specifications
10	1	1316176800	EXHAUST PIPE:TURBO OUTLET	
20	1	1316176810	EXHAUST PIPE:BELLOWS TO DOC	
30	1	1316175301	PIPE:EXHAUST CONDENSATE FLASH	
40	1	1316148000	EXHAUST PIPE: OUTLET	
50	1	1316139100	SEAL:EXHAUST PIPE-ROOF XAS400	
60	1	1615721400	EXHAUST COVER	
70	1	1316175502	BRACKET:DEF TANK SUPPORT	
80	1	1316175701	BRACKET:AFTERTREATMENT	
90	2	1316175600	STRAP:DEF TANK CPS 400 KOHLER	
110	1	1310171410	BELLOWS:3"DIAM X 5.75LONG	
120	1	1316183600	BRACKET:COOLANT LINES	
130	1	1316021600	BRACKET:ENGINE HARNESS	
140	1	1310050554	GROMMET:RUBBER 2.0HOLE/.188PNL	
150		0075402569	TUBE	
160		0075402569	TUBE	
170		0075402569	TUBE	
180	1	0075402569	TUBE	
190		0075402569	TUBE	
200		0075402569	TUBE	
210		0075402569	TUBE	
220	1	1316176980	KIT:HEAT BLANKET CPS400 KDI	
A10	1	1316176900	HEAT BLANKET:TURBO OUTLET PIPE	
A20	1	1316176910	HEAT BLANKET:BELLOWS	
A30	1	1316176920	HEAT BLANKET:DOC INLET PIPE	
230	2	1310073201	GASKET:MARMON FLG	
240	2	1310072869	CLAMP:MARMON	
250	1	1310035561	CLAMP-SADDLE: 3.00" ID ZINC PL	
260	2	1310074837	TEE:UNION 3/8 ID HOSE	
270	1	1310072345	ADAPTER:.375 BARB X M14 MALE	
280	1	1310072342	CLAMP:WIRE & TUBE .625" DIA	
290	14	1310032384	CLAMP-HOSE: .25- .62,SIZE 4	
300	4	0147140003	HEX. BOLT M12X25X8.8	
310	2	0147140103	SCREW DIN933 M12X30 8.8 ZN	
320	8	0147124703	HEX. BOLT M6X20X8.8	
330	3	0147133103	PARAF M8X55 DIN931 8.8 FZB	
340	1	0144324803	SCREW	
350	16	1615566400	HEX. HEAD SCREW	
360	8	1619276600	SCR.BOLT M8X20	
370	1	0292130500	LOCKNUT	
380	8	0301232100	WASHER M6	
390	5	0301233500	PLAIN WASHER	
410	8	0301235800	PLAIN WASHER	
430	14	0348010212	CABLE TIE: WITH FIR TREE MOUNT	
440	1	1316175510	BRACKET:COOLANT VALVE	
460	2	0147140403	HEX. BOLT M12X45X8.8	



Id	Qty	Number	Name	Specifications
10	1	1316176600	SUPPORT:OIL FILTER	
20	1	1638648900	HOUSING	
21	1	1630147500	BAYONET ADAPTER	
22	1	1630147502	BAYONET PLATE	
23	1	1630147503	SPRING COMPRESSION	
24	1	0663713400	O-RING 49.5X3	
25	1	0663712700	O-RING	
26	4	0215000373	HEX.SOCKET SCREW	
30	1	1310198902	OIL HOSE: LOWER COOLER	
40	1	1316138800	HOSE:OIL FLT-CLR TOP XAS400/44	
50	1	1310822011	OIL LINE:TBV TO VESS XAS400CD8	
60	1	1316176700	PIPE:OIL FLT-ELEMENT CPS400KDI	
70	1	1622706405	THERMOSTATIC VALVE 71 DEG C	
80	1	0663713200	O-RING	
90	1	1614611800	FLANGE THERMOSTAT	
100	1	1316285290	OIL FILTER	
120	2	2253806300	NIPPLE	
130	6	3176651900	NIPPLE:G 3/4"MALE X 1"JIC MALE	
140	2	0147124603	HEX. BOLT M6X16X8.8	
150	2	0147136303	SCREW HEXAGON	
160	1	0147147403	HEX. BOLT M16X25X8.8	
170	2	0301232100	WASHER M6	
180	2	0301234400	PLAIN WASHER M10	
190	1	0301237800	PLAIN WASHER(A) 17 X 30 X 3	
200	2	0661100029	WASHER M26	
210	8	1310251175	CLAMP-HOSE: 1.50 NOMINAL DIA	
220	3	1619276600	SCR.BOLT M8X20	
230	3	0147132503	HEX. HEAD SCREW M8X25	
240	3	0301233500	PLAIN WASHER	

PARTS FINDER

**Search Website
by Part Number**



**Search Manual
Library For Parts
Manual & Lookup Part
Numbers – Purchase
or Request Quote**

Search Manuals

Enter your information to help us find the right parts manual for your machine.

* Brand:

* Model:

* Serial:

* Part Number:

SEARCH

**Can't Find Part or
Manual? Request Help
by Manufacturer,
Model & Description**

Parts Order Form

Please fill in the following information to help us find the right part for your machine.

Manufacturer:	<input type="text"/>
Model:	<input type="text"/>
Description:	<input type="text"/>
Part Number:	<input type="text"/>
Quantity:	<input type="text"/>
Notes:	<input type="text"/>

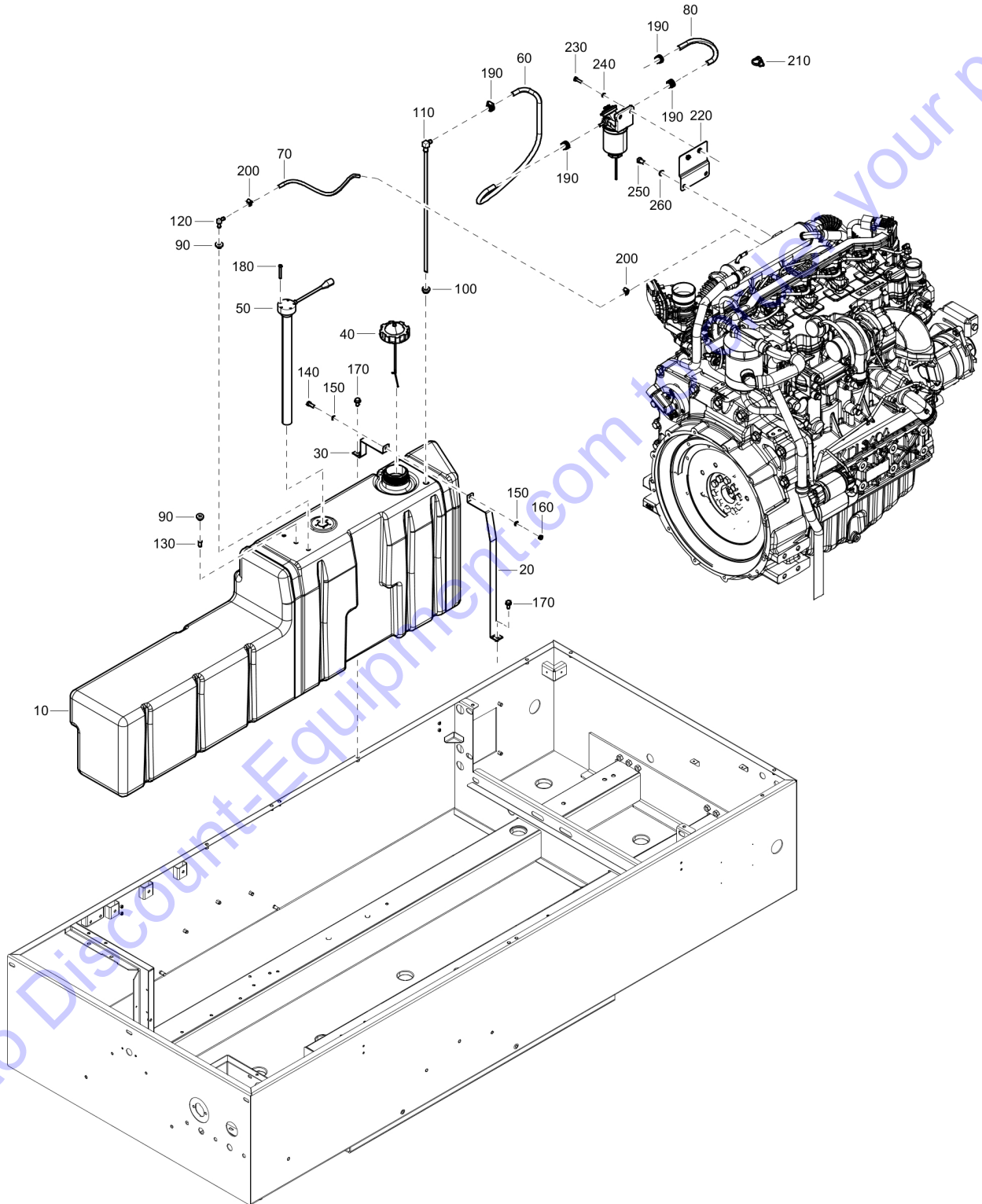
Discount-Equipment.com is your online resource for quality parts & equipment.

Florida: **561-964-4949** Outside Florida TOLL FREE: **877-690-3101**

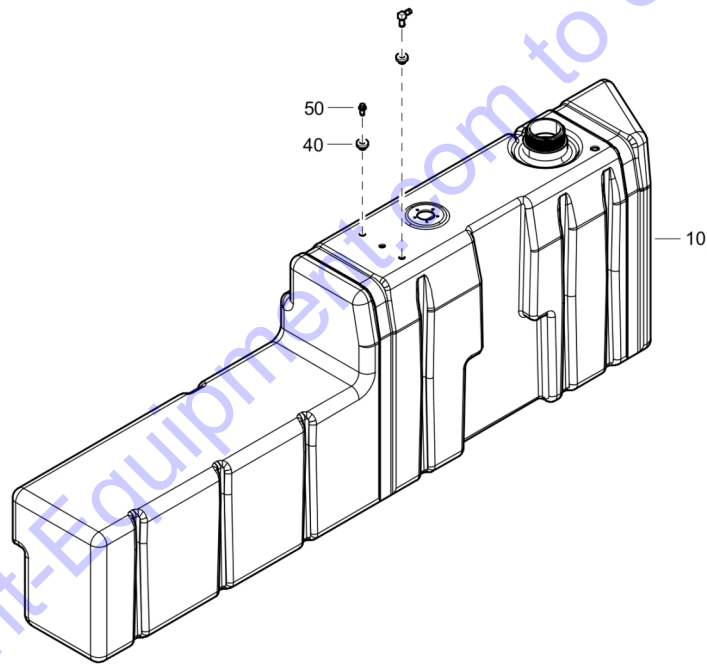
Need parts?

Click on this link: <http://www.discount-equipment.com/category/5443-parts/> and choose one of the options to help get the right parts and equipment you are looking for. Please have the machine model and serial number available in order to help us get you the correct parts. If you don't find the part on the website or on one of the online manuals, please fill out the request form and one of our experienced staff members will get back to you with a quote for the right part that your machine needs.

We sell worldwide for the brands: Genie, Terex, JLG, MultiQuip, Mikasa, Essick, Whiteman, Mayco, Toro Stone, Diamond Products, Generac Magnum, Airman, Haulotte, Barreto, Power Blanket, Nifty Lift, Atlas Copco, Chicago Pneumatic, Allmand, Miller Curber, Skyjack, Lull, Skytrak, Tsurumi, Husquvarna Target, Stow, Wacker, Sakai, Mi-T-M, Sullair, Basic, Dynapac, MBW, Weber, Bartell, Bennar Newman, Haulotte, Ditch Runner, Menegotti, Morrison, Contec, Buddy, Crown, Edco, Wyco, Bomag, Laymor, EZ Trench, Bil-Jax, F.S. Curtis, Gehl Pavers, Heli, Honda, ICS/PowerGrit, IHI, Partner, Imer, Clipper, MMD, Koshin, Rice, CH&E, General Equipment, Amida, Coleman, NAC, Gradall, Square Shooter, Kent, Stanley, Tamco, Toku, Hatz, Kohler, Robin, Wisconsin, Northrock, Oztec, Toker TK, Rol-Air, APT, Wylie, Ingersoll Rand / Doosan, Innovatech, Con X, Ammann, Mecalac, Makinex, Smith Surface Prep, Small Line, Wanco, Yanmar



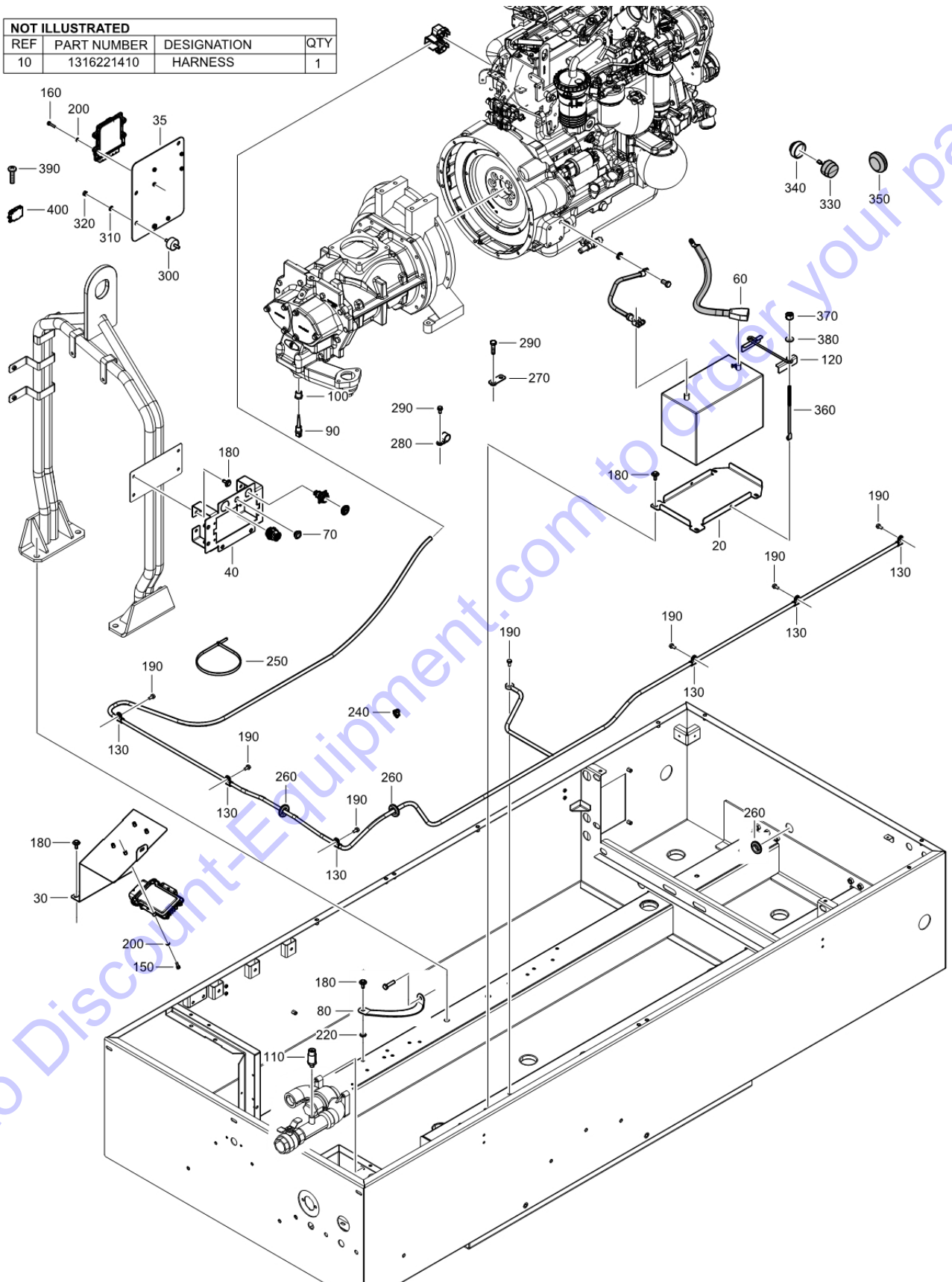
Id	Qty	Number	Name	Specifications
10	1	1310190185	FUEL TANK ASY:LESS SECOND PORT	
20	2	1310689511	STRAP:F FUEL TANK 400 JD T4F	
30	2	1310689711	STRAP:F/R FUEL TANK 400 JD T4F	
40	1	1310924378	FUELCAP:KELCH 3.5" (BLACK)	
50	1	1310074645	FUEL LEVEL S	
60		1310036364	HOSE: .38ID FUEL LINE	
70		1310031197	HOSE:.25IDX.09W,RUBBER,POLYMER	
80	1	1310036364	HOSE: .38ID FUEL LINE	
90	2	1310070617	GROMMET:	
100	1	1310175631	GROMMET:SUPPLY XAS 750 FUEL	
110	1	1316010127	ELBOW:SUPPLY W/TUBE .38+	
120	1	1316010130	ELBOW:.25TUBE FUEL RETURN	
130	1	1310175637	PLUG:STEEL FOR PLASTIC TANK	
140	2	0147132803	HEX. BOLT M8X40X8.8	
150	4	0301233500	PLAIN WASHER	
160	2	0291111000	LOCK NUT M8	
170	4	1619276600	SCR.BOLT M8X20	
180	5	5530768100	SCREW:#10-24 X 1.5 SLOTTED	
190	4	0347610400	HOSE CLAMP	
200	2	1310032384	CLAMP-HOSE: .25- .62,SIZE 4	
210	2	0348010212	CABLE TIE: WITH FIR TREE MOUNT	
220	1	1316177400	BRACKET:FUEL FILTER CPS400 KDI	
230	2	0147132603	HEX HEAD SCREW	
240	2	0300027666	WASHER:M8.40/16.0X1.5T BLACK	
250	2	0147139803	HEX. HEAD SCREW	
260	2	0301234400	PLAIN WASHER M10	



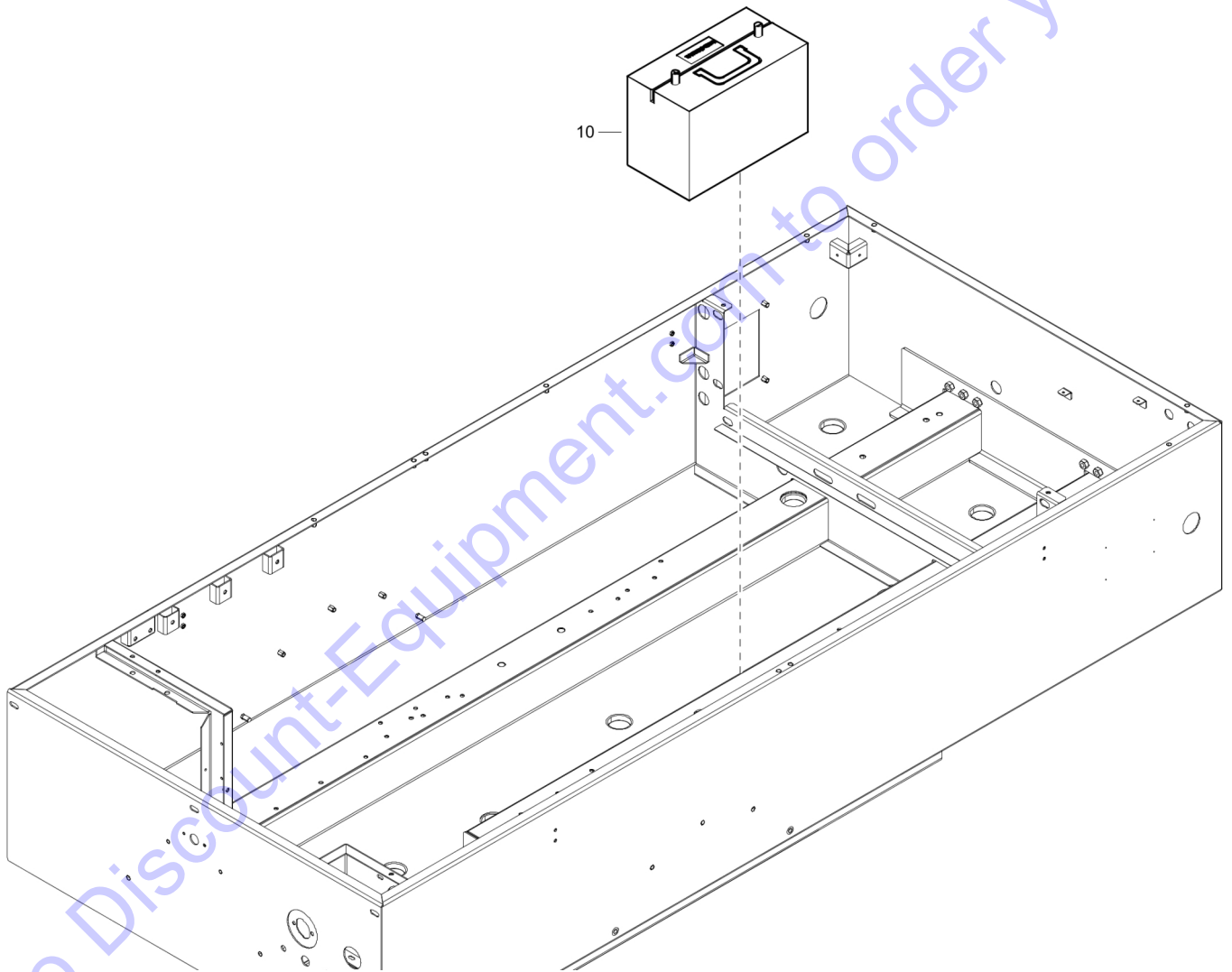
Id	Qty	Number	Name	Specifications
10	1	1310190100	FUEL TANK:400 CD FT4	
40	1	1310175634	GROMMET:VENT XAS 750 FUEL	
50	1	1310175636	VENT:XAS 750 FUEL	

Go to Discount-Equipment.com to order your parts

NOT ILLUSTRATED			
REF	PART NUMBER	DESIGNATION	QTY
10	1316221410	HARNES	1

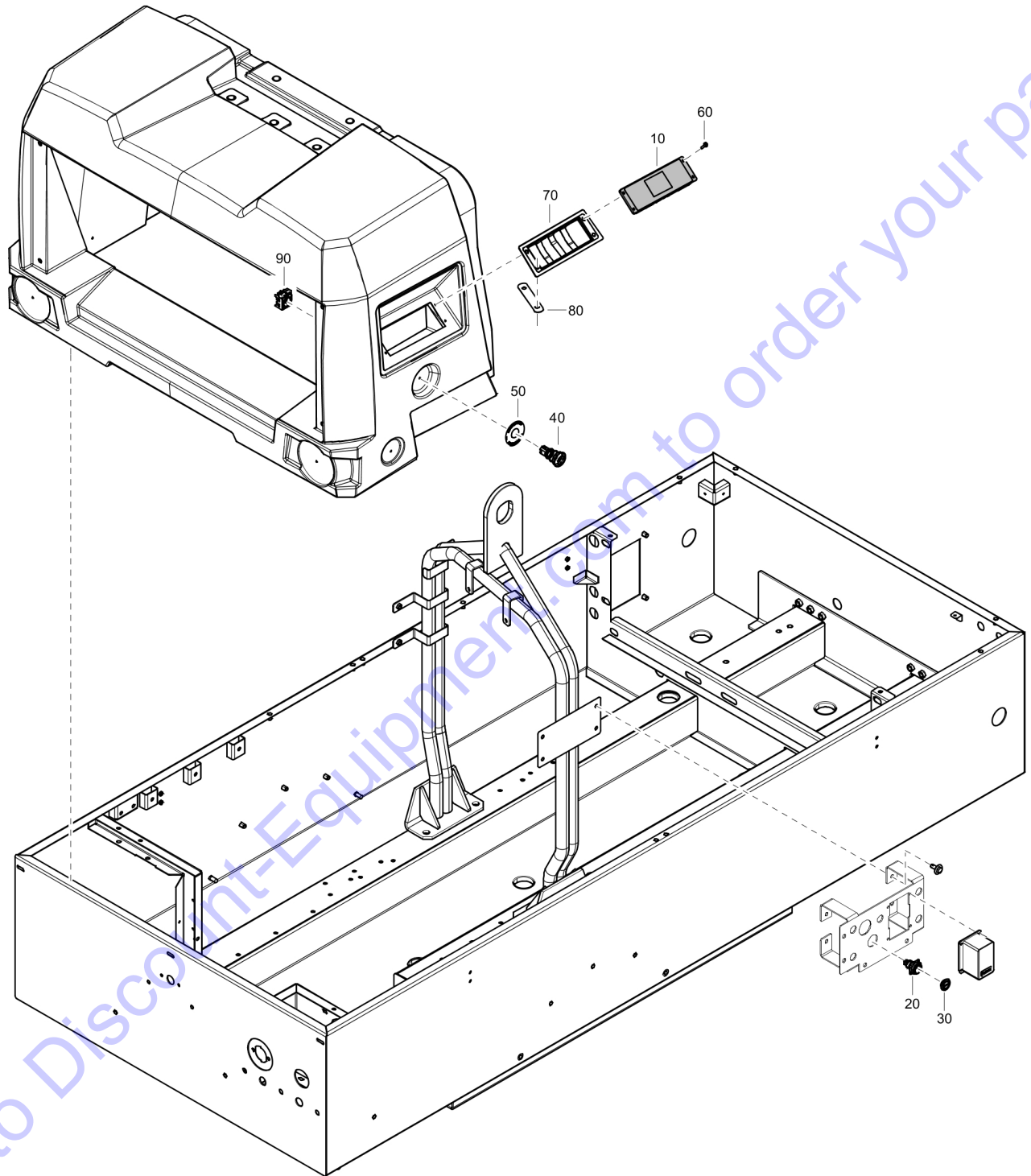


Id	Qty	Number	Name	Specifications
10	1	1316221410	CPS 400 KOD HARNESS	
20	1	1310219701	SUPPORT:BATTERY PAN XAS188 S8	
30	1	1316184001	BRACKET:DCU	
35	1	1316184010	BRACKET:ECU CPS400 KOD	
40	1	1316174301	BRACKET:PDU	
60	1	1316174200	BATTERY CABLE: 15+ POSITIVE	
70	1	1310192250	LAMP: 12V RED, 0.75MOUNTING	
80	1	1310074428	STRAP:GROUND 12"L X M12 HOLES	
90	1	1089057470	TEMPERATURE SENSOR	
100	1	0605881600	BUSHING:.50G MALE X .375GFEML	
110	1	1607852288	PRESSURE SENSOR	
120	1	1310031166	CLAMP-BATTERY:UNIVERSAL HOLD	
130	1	1310036557	CLAMP:0.5" ID XM10,P-TYPE \$RBR	
150	4	0147124903	HEX. BOLT M6X25X8.8	
160	4	0147125003	HEX. BOLT M6X30X8.8	
180	12	1615566400	HEX. HEAD SCREW	
190	4	1619276600	SCR.BOLT M8X20	
200	9	0301232100	WASHER M6	
220	1	1088001902	CONTACT WASHER SPEC MD	
240	2	0348010212	CABLE TIE: WITH FIR TREE MOUNT	
250	1	1310253601	CABLE TY:M375LX21W	
260	5	1310035574	GROMMET: 1.75ODX 1.0IDX .40THK	
270	1	1316013300	BRACKET:AMBIENT TEMP SENSOR	
280	3	1310034289	CLAMP-HOSE: 1.00" NOM P-CLAMP	
290	1	0147124703	HEX. BOLT M6X20X8.8	
300	3	1316174605	ISOLATOR:BOBBIN M8X40MM	
310	3	0300027666	WASHER:M8.40/16.0X1.5T BLACK	
320	3	0266211000	HEXAGON NUT M8	
330	1	1089942910	FLASH BULB	
340	1	1089943003	HORN:24V	
350	1	1310076275	GROMMET:.88ID 1.00 HOLE .06 TH	
360	2	1316021285	J-BOLT:1/4-20 X 9 ZINC PLT	
370	2	1316021286	NUT: 1/4-20 HEX NUT ZINC PLT	
380	2	1316021287	WASHER: 1/4 USS TYPE ZINC PLT	
390	2	0160099611	HDW M4X.7 16mm PHMS, PHILLIPS,	
400	1	1310600563	SWITCH,CONTACT BLOCK,S2:NO&NC	



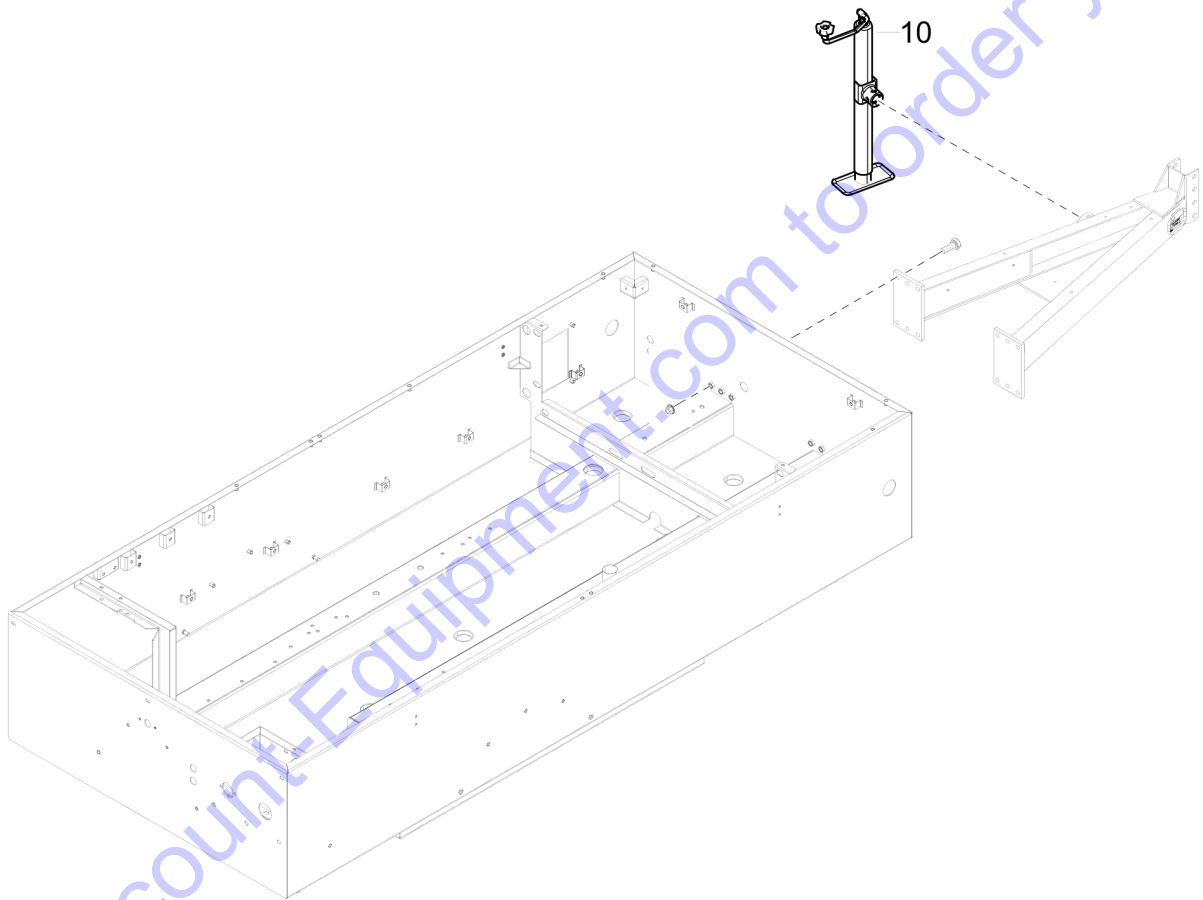
Id	Qty	Number	Name	Specifications
10	1	1310030589	SHACKLE-THREADED	

Go to Discount-Equipment.com to order your parts



Id	Qty	Number	Name	Specifications
10	1	1626850007	CONTROLLER	
20	1	1310074140	ADAPTER:USB-A TO USB-B PE400	
30	1	1310074142	ADAPTER COVER:USB TYPE A	
40	1	1310600560	SWITCH:E-STOP S2 QAS CUBICLE	
50	1	1316010150	LABEL:E-STOP 3+ DIA YELLOW	
60	4	0160099697	SCREW	
70	1	1638666810	SEAL	
80	2	1310221100	PLATE:CONTROLLER BACKING	
90	1	1310600562	SWITCH-HOLDER:METAL	

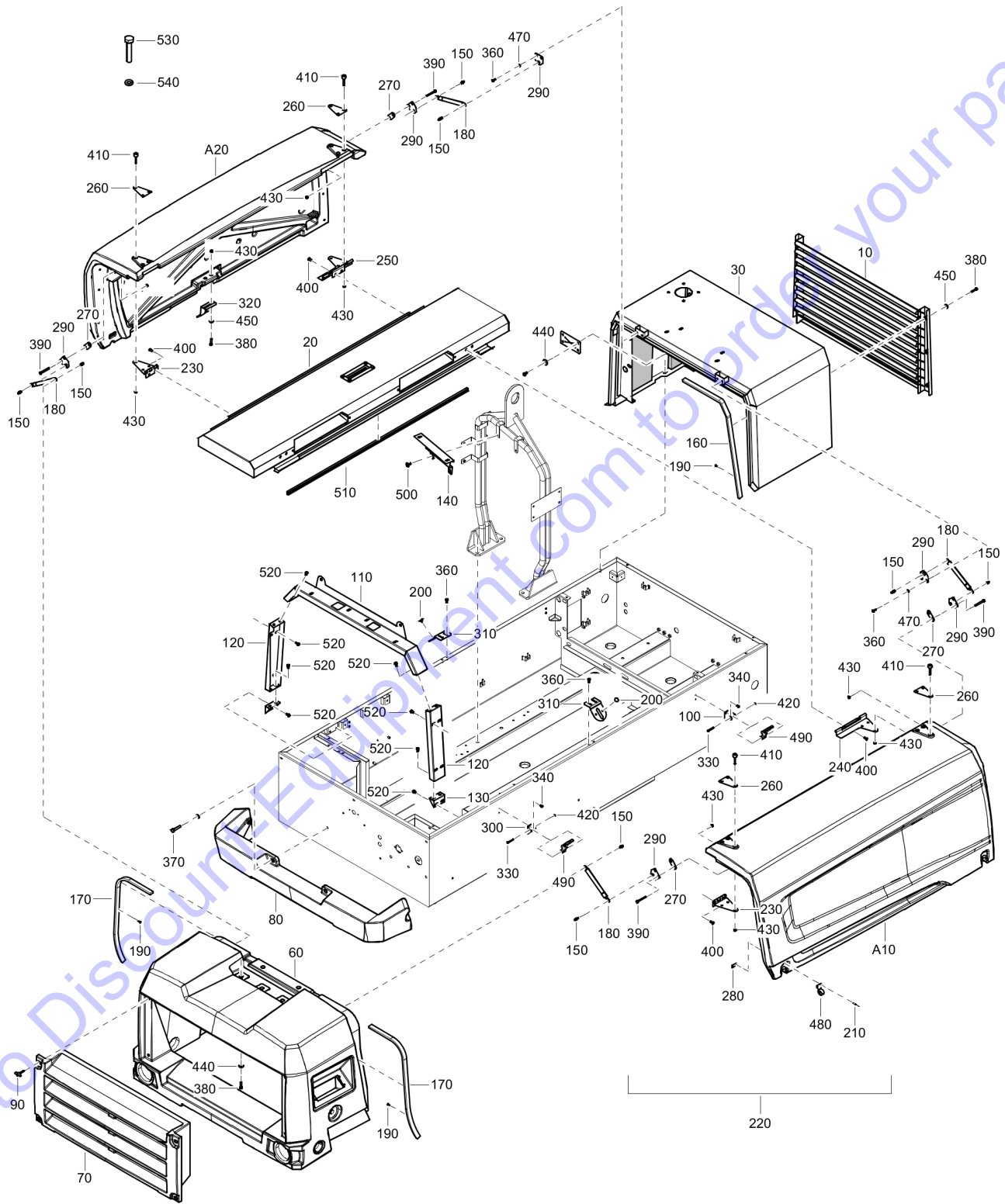
Go to Discount-Equipment.com to order your parts



Go to Discount.Equipment.com to order your parts

Id	Qty	Number	Name	Specifications
10	1	1310266489	JACK ASY:15"TRAVEL,FOOTPLATE	

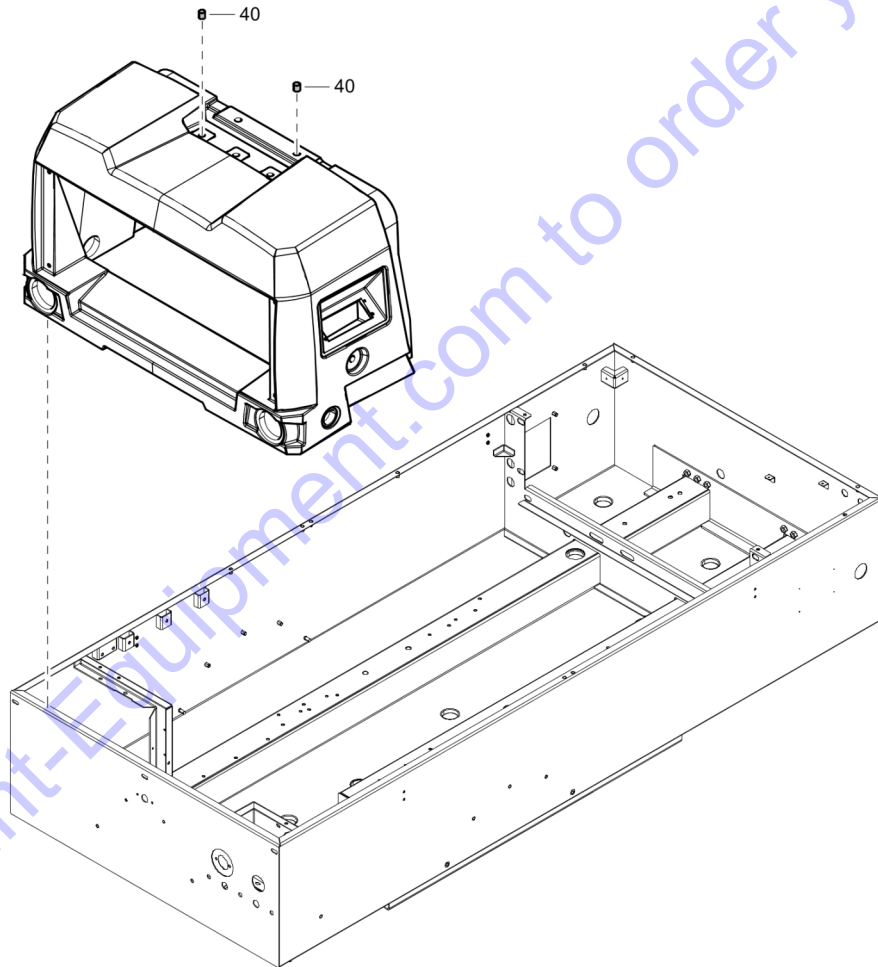
Go to Discount-Equipment.com to order your parts



Id	Qty	Number	Name	Specifications
10	1	1316113981	BAFFLE ASSEMBLY SUNBELT	
20	1	1316115980	ROOF ASSEMBLY	
30	1	1316114481	FRONT CANOPY SUNBELT	
60	1	1316115700	CANOPY:REAR PE XAS 440/400	
70	1	1316115600	LOUVER:REAR PE XAS 400/440	
80	1	1316115500	BUMPER:REAR PE XAS 440/400	
90	4	1316010122	WING SCREW:M8 X 35MM \$STL	
100	2	1316114600	PLATE:LATCH BASE XAS400/440 JD	
110	1	1316115200	SUPPORT:BACK BODYWORK TOP	
120	2	1316115300	SUPPORT:BACK BODYWORK SIDES	
130	2	1316116000	REAR CANOPY SUPPORT BRACKET	
140	1	1316139000	SUPPORT:LIFT BAIL-ROOF XAS400	
150	8	1310032778	SUPPORT:BALL STUD,.312-18 THD	
160	2	1310074170	SEAL-DOOR:PE 400 FRONT	
170	2	1310074171	SEAL-DOOR:PE 400 REAR	
180	4	1310074176	STRUT:GAS DOOR LIFT M10 BALL	
190	30	1310074332	FASTENER:PINE-TREE .197DX.70L	
200	4	1310075049	BUMPER:PUSH-IN RUBBER PE400	
210	8	1310075051	RIVET-POP:.187DX1.075L PE400	
220	1	1310080865	KIT-CANOPY:TOP PE 400 SUNB GRN	
A10	1	1310855530	DOOR-RIGHT:PE 400 SUNB GRN	
A20	1	1310855630	DOOR-LEFT:PE 400 SUNB GRN	
230	2	1310118100	HINGE:REAR XAS400 PE	
240	1	1310118200	HINGE:R FRONT XAS400 PE	
250	1	1310118300	HINGE:L FRONT	
260	4	1310118400	PLATE:HINGE	
270	4	1310127900	PLATE:DOOR STRUT PE400	
280	4	1310128000	PLATE:STIRRUP BACKING	
290	6	1310128100	STUD-BALL:BRACKET PE400	
300	2	1310128400	BASE PLATE:XAS400 PE	
310	2	1310128510	BRACKET:FRAME DOOR LOCK 400PE	
320	2	1310888700	BRACKET:DOOR LOCK XAS400PE	
330	4	0147121403	HEXAGON BOLT	
340	8	0147124403	HEX. HEAD SCREW M6 X 12	
360	8	0147132303	HEX. HEAD SCREW M8 X 20	
370	4	0147132803	HEX. BOLT M8X40X8.8	
380	13	0147132903	HEX. HEAD SCREW	
390	8	0147133403	SCREW:M8 X 70MM HEXHD \$STL	
400	8	0216132403	HEX. CSUNK SCREW	
410	12	0226991527	BOLT	
420	4	0291110700	NUT	
430	24	0291111000	LOCK NUT M8	
440	5	0300027621	WASHER	
450	18	0300801900	WASHER M8	
470	36	0301233500	PLAIN WASHER	
480	4	1615860500	STIRRUP	

Id	Qty	Number	Name	Specifications
490	4	1626617100	CATCH	
500	37	1615566400	HEX. HEAD SCREW	
510	2	1619266500	SEAL LIP	
520	4	1619276600	SCR.BOLT M8X20	
530	2	0147133803	SCREW:M 8X 90;HEX HD,ZN PLT,\$S	
540	8	0301232100	WASHER M6	

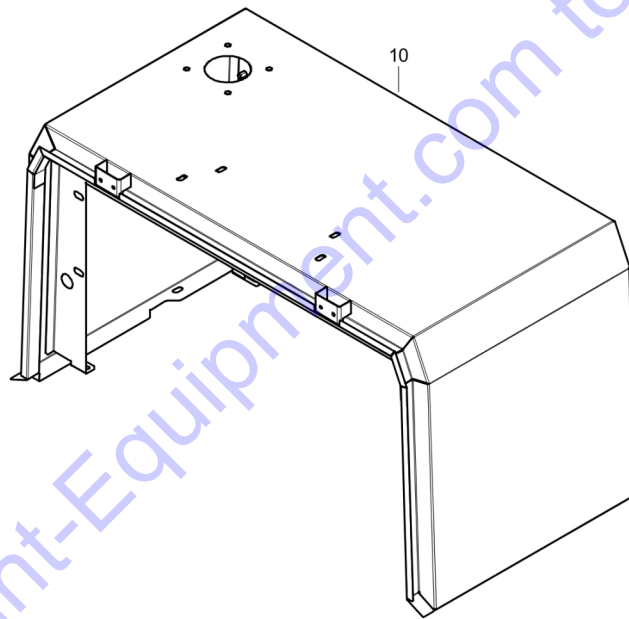
Go to Discount-Equipment.com to order your parts



Go to Discount-Equipment.com to order your parts

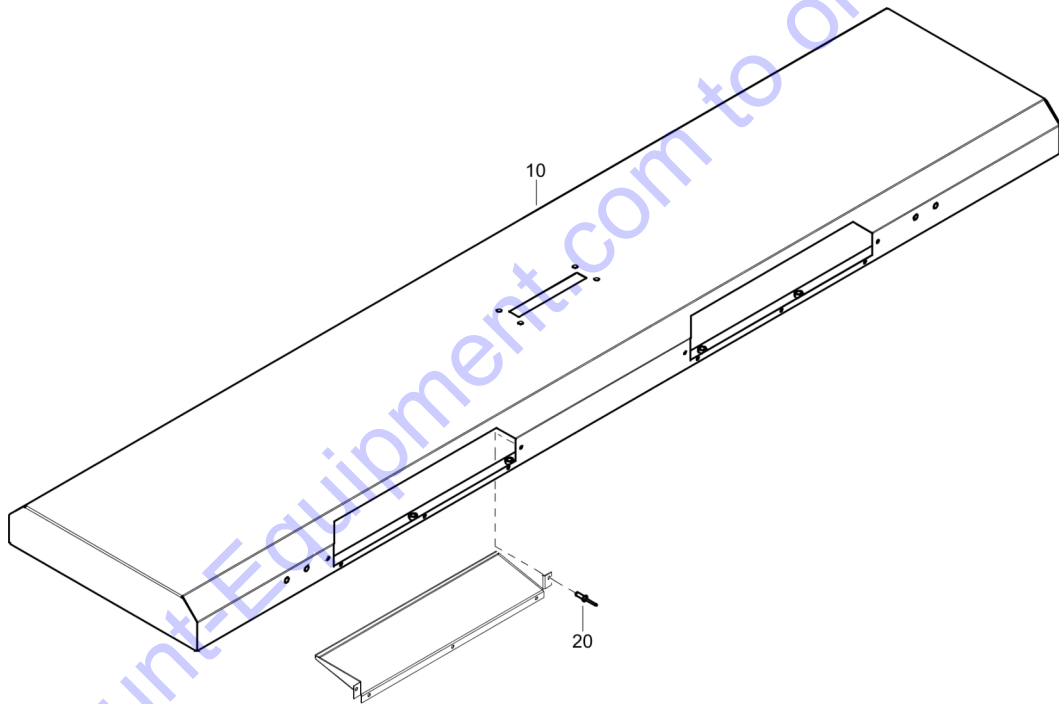
Id	Qty	Number	Name	Specifications
40	5	1316115800	Spacer	

Go to Discount-Equipment.com to order your parts



Id	Qty	Number	Name	Specifications
10	1	1316114490	Front canopy: sunbelt	

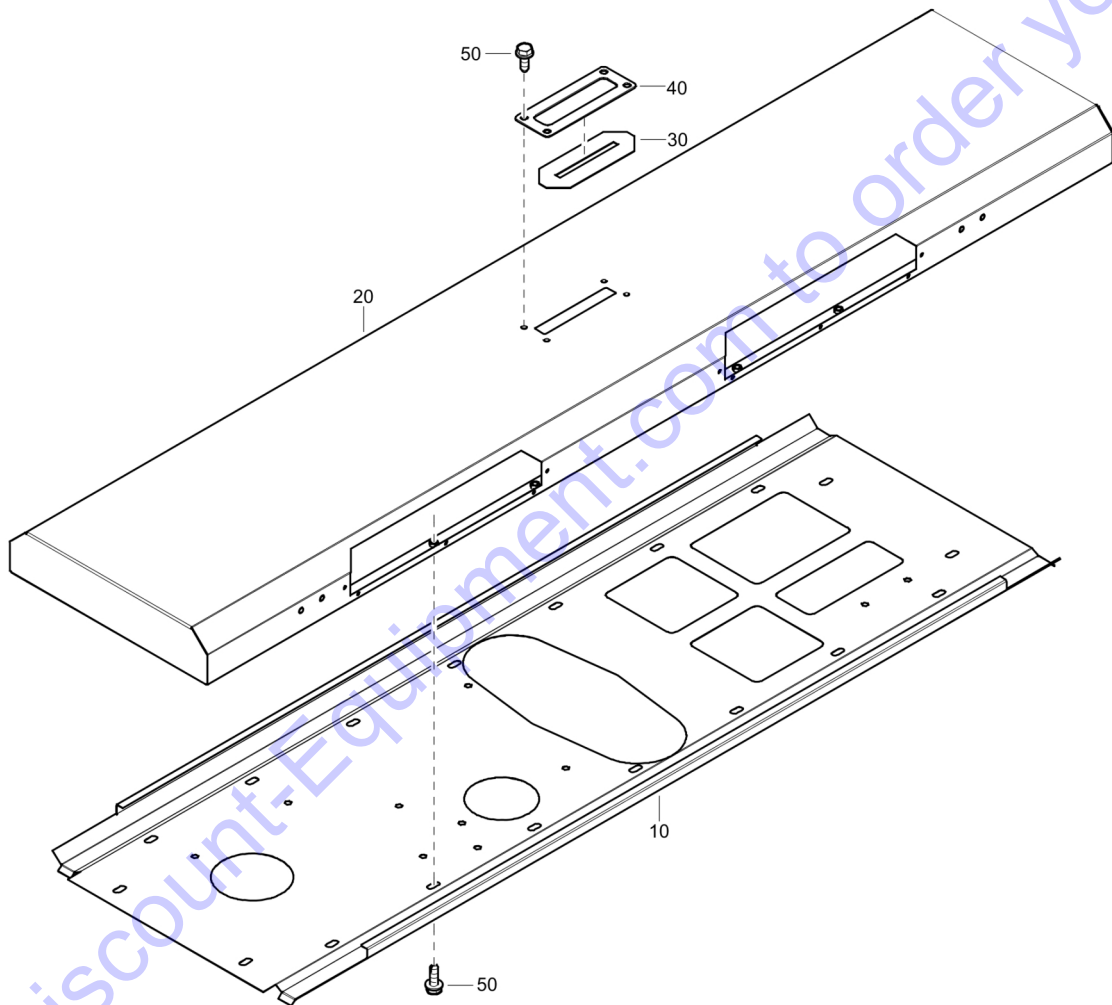
Go to Discount-Equipment.com to order your parts



Go to DiscountEquipment.com to order your parts

Id	Qty	Number	Name	Specifications
10	1	1316115900	Roof: upper	
20	20	1310032787	RIVET-POP: .187DX.375L(.126/.25	

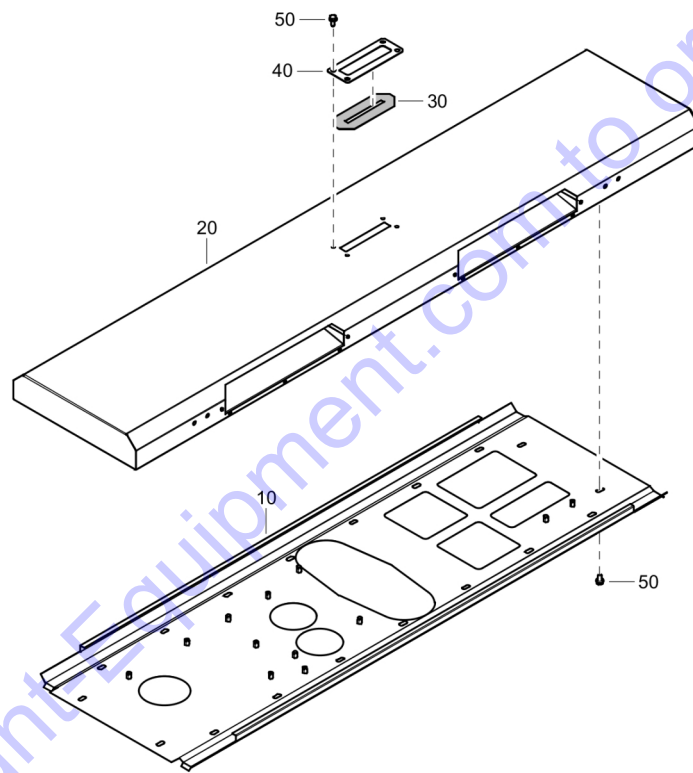
Go to Discount-Equipment.com to order your parts



Go to Discount-Equipment.com to order your parts

Id	Qty	Number	Name	Specifications
10	1	1316115950	Roof: lower	
20	1	1316115960	Roof: upper assembly	
30	1	1310074977	GASKET:LIFTING BALE XAS400	
40	1	1310074816	PLATE:LIFTIN	
50	20	1619276600	SCR.BOLT M8X20	

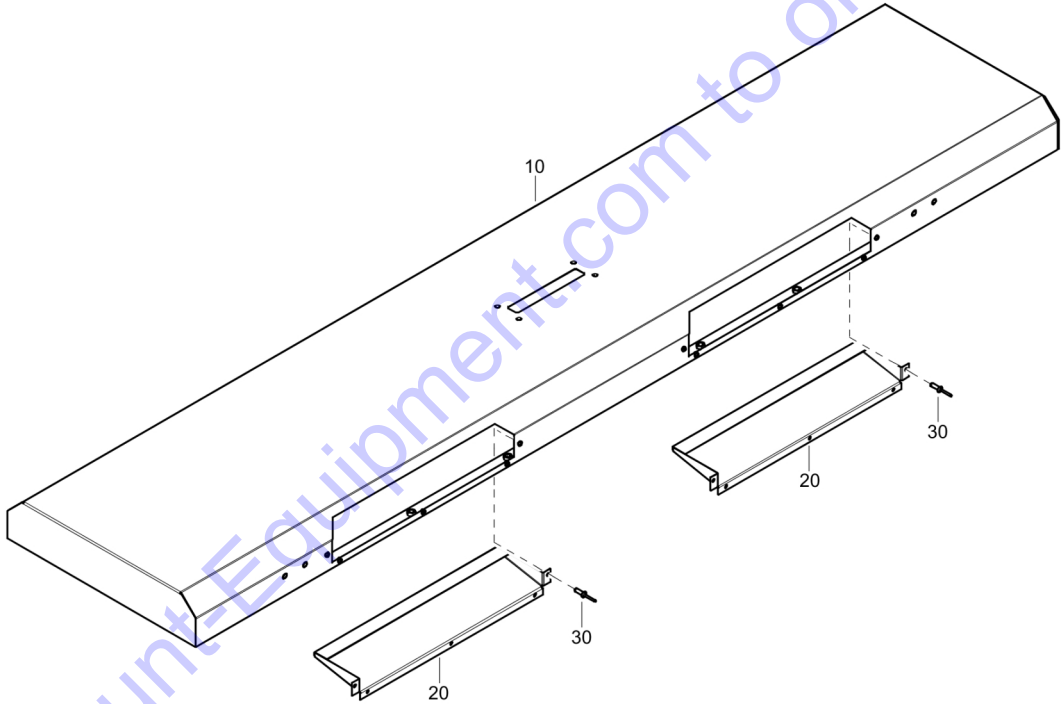
Go to Discount-Equipment.com to order your parts



Go to DiscountEquipment.com to order your parts

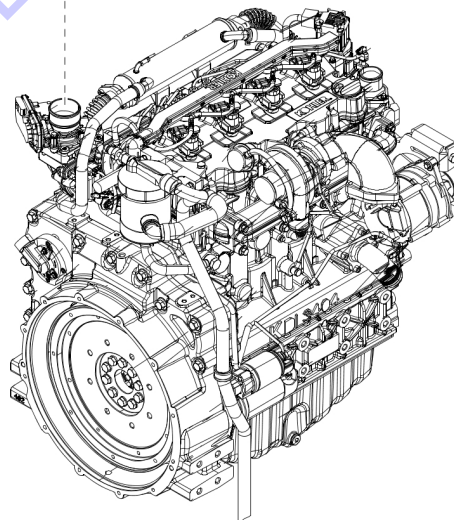
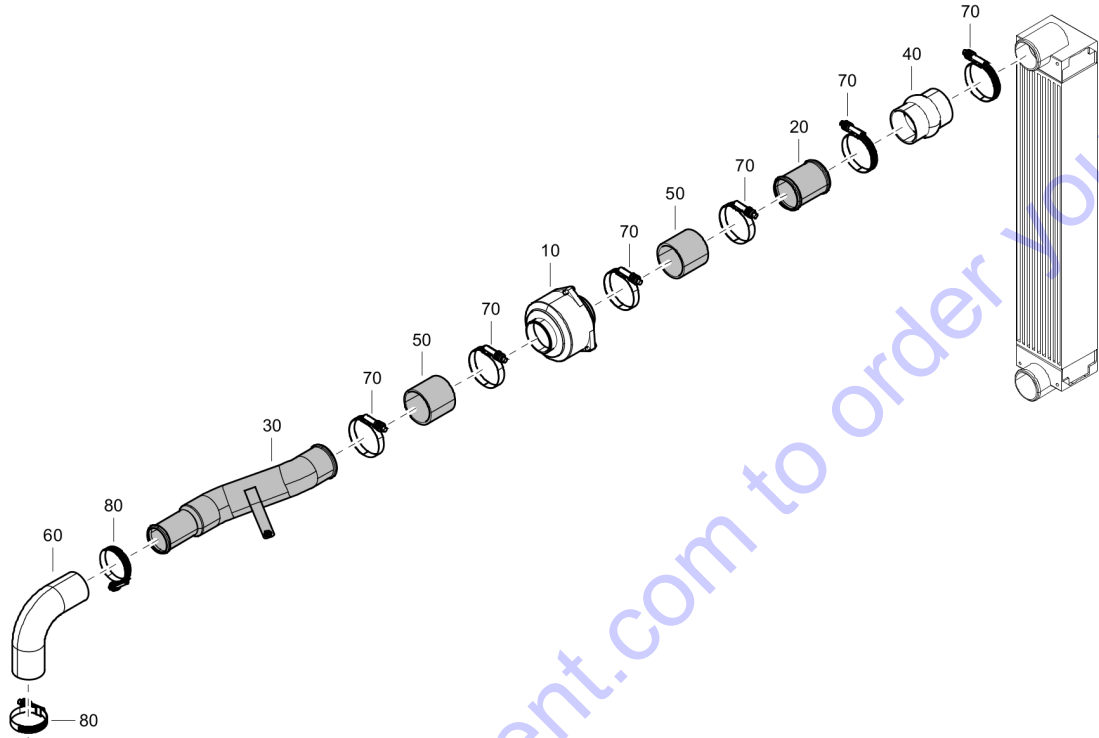
Id	Qty	Number	Name	Specifications
10	1	1316176160	ROOF:LOWER BLACK CPS400 KDI	
20	1	1316176150	ROOF:UPPER ASSEMBLY BLACK	
30	1	1310074977	GASKET:LIFTING BALE XAS400	
40	1	1316176110	PLATE:SPINE LIFTING BALE SLOT	
50	20	1619276600	SCR.BOLT M8X20	

Go to Discount-Equipment.com to order your parts



Id	Qty	Number	Name	Specifications
10	1	1316176100	ROOF:UPPER BLACK CPS 400 KDI	
20	4	1316176105	ROOF:RAIN GUARD BLACK	
30	20	1310032787	RIVET-POP: .187DX.375L(.126/.25	

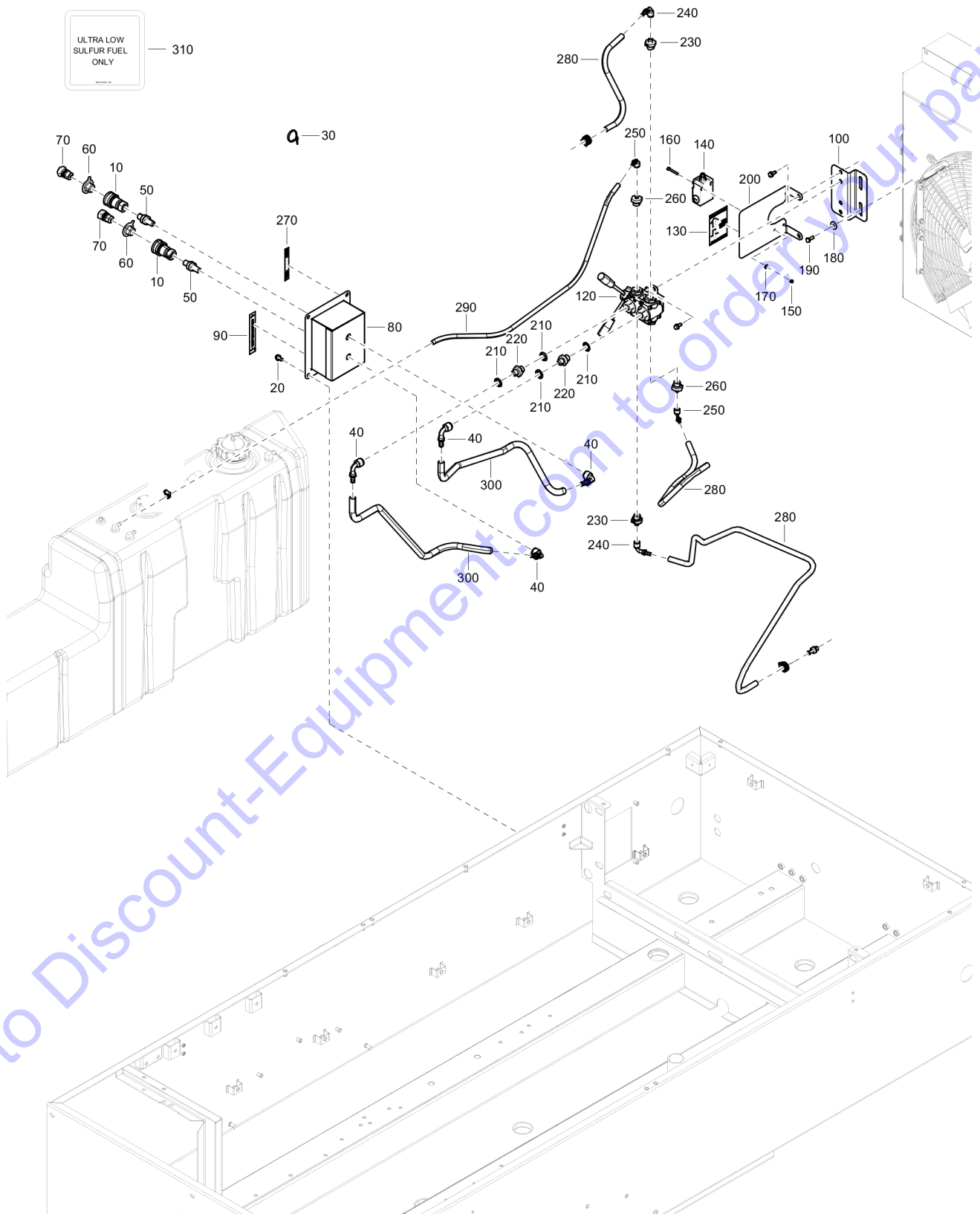
Go to Discount-Equipment.com to order your parts



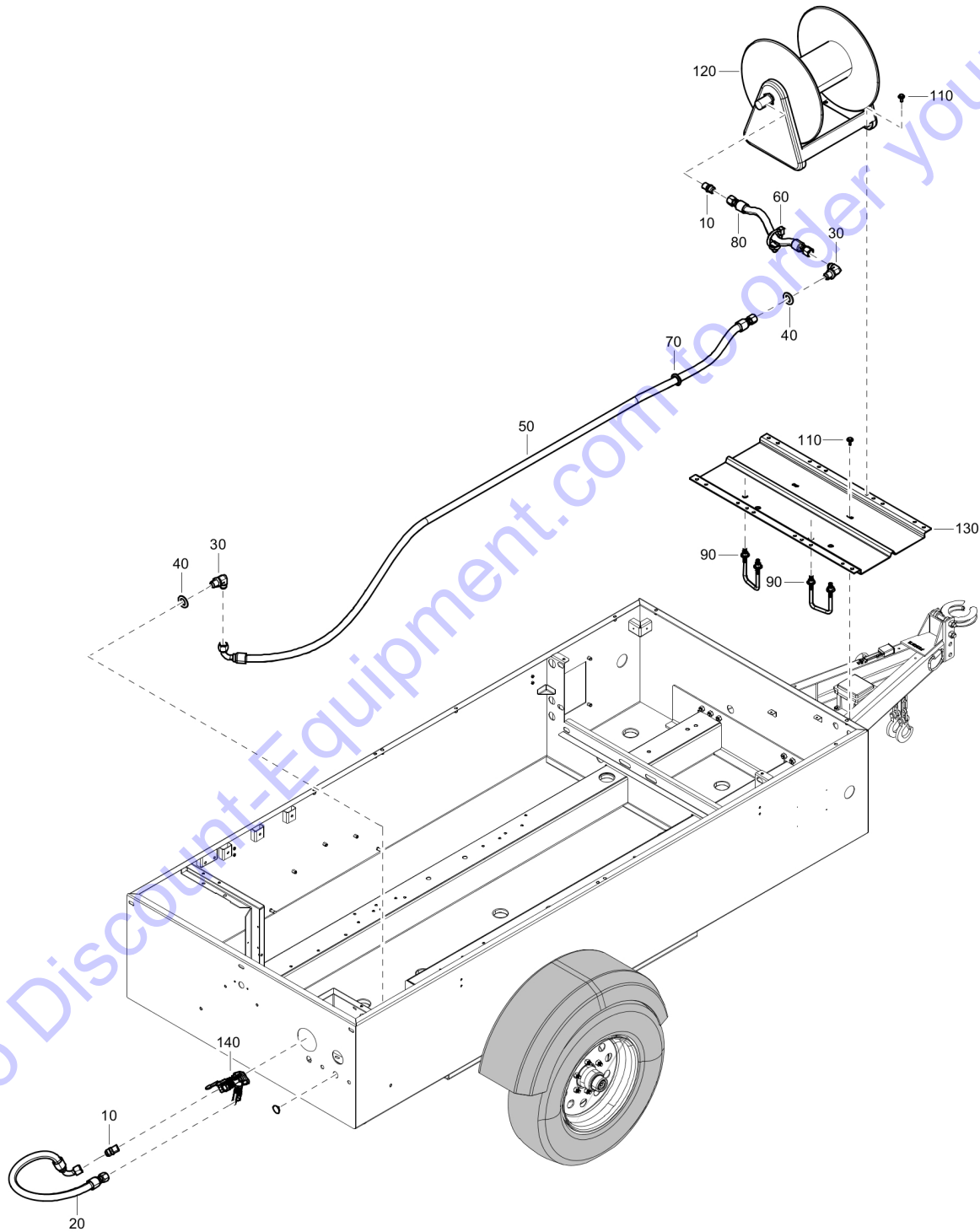
Go to Discount-Equipment.com to order your parts

Id	Qty	Number	Name	Specifications
10	1	1310600132	VALVE:INLET SHUTDOWN 3"	
20	1	1316202500	PIPE:CAC AIS 3"X4" STRAIGHT	
30	1	1316202510	Pipe	
40	1	1310072311	CONNECTOR:CAC 3.00 HUMP	
50	2	1310600137	HOSE:3"OD X 3"L, CAC SILICONE	
60	1	1310075382	ELBOW:CAC 2.5 ID	
70	6	1310075626	CLAMP-HOSE:M71/95D CONST- TORQ	
80	2	1310075624	CLAMP-HOSE:M59/83D CONST- TORQ	

Go to Discount-Equipment.com to order your parts

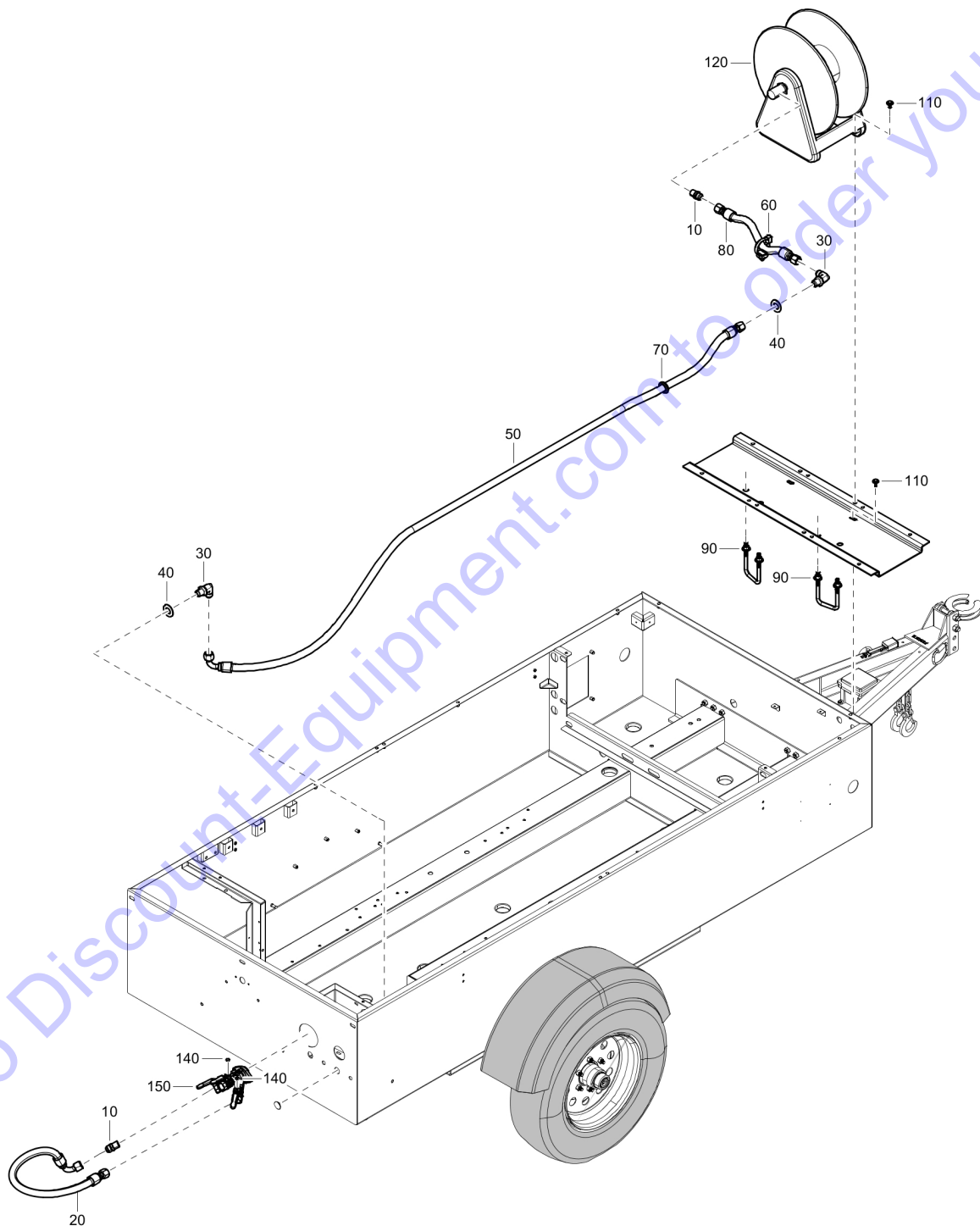


Id	Qty	Number	Name	Specifications
10	2	1310036049	1/2 COUPLER:QUICK CONN SERS 60	
20	8	1619276600	SCR.BOLT M8X20	
30	4	0348010107	STRIP	
40	4	0571002072	HOSE NIPPLE	
50	2	1310030507	ADAPTER: -8JIC TO NPT BULKHEAD	
60	2	1310036051	PLUG:DUST, 1/2"	
70	2	1310036710	NIPPLE:QUICK DISCONNECT 1/2"	
80	1	1310266710	PANEL:EXTERNAL FUEL BLACK	
90	1	1310031312	LABEL:EXTERNAL FUEL VALVE	
100	1	1310266600	MOUNT:EXTERNAL FUEL S2LP	
120	1	1604611102	VALVE	
130	1	1316010092	LABEL: EFT DIRECTION	
140	1	1089030412	SWITCH	
150	2	0266210700	HEXAGON NUT M5	
160	2	0211121303	CAP SCREW	
170	2	0301232100	WASHER M6	
180	2	0300801900	WASHER M8	
190	2	0147132303	HEX. HEAD SCREW M8 X 20	
200	1	1310266633	GUARD:EXTERNAL FUEL S2LP	
210	4	0661100039	SEAL WASHER DOWTY 1/2"	
220	2	0570501085	ADAPTER:.5GM X .5JICM	
230	2	3715634400	NIPPLE	
240	2	1310075360	FITTING: 90° 3/8 JICX3/8 BARB	
250	2	1310076310	FITTING:90DEG .25JIC X .25BARB	
260	2	1310030979	ADAPTER:1/2GM X 1/4JICM	
270	1	1310031325	LABEL:FUEL SUPPLY RETURN	
280	3	1310031197	HOSE:.25IDX.09W,RUBBER,POLYME R	
290		1310036364	HOSE: .38ID FUEL LINE	
300	6	1310255932	HOSE:.50+ID X .75+OD	
310	1	8915002180	LABEL:LOW SULFUR FUEL REQUIRED	



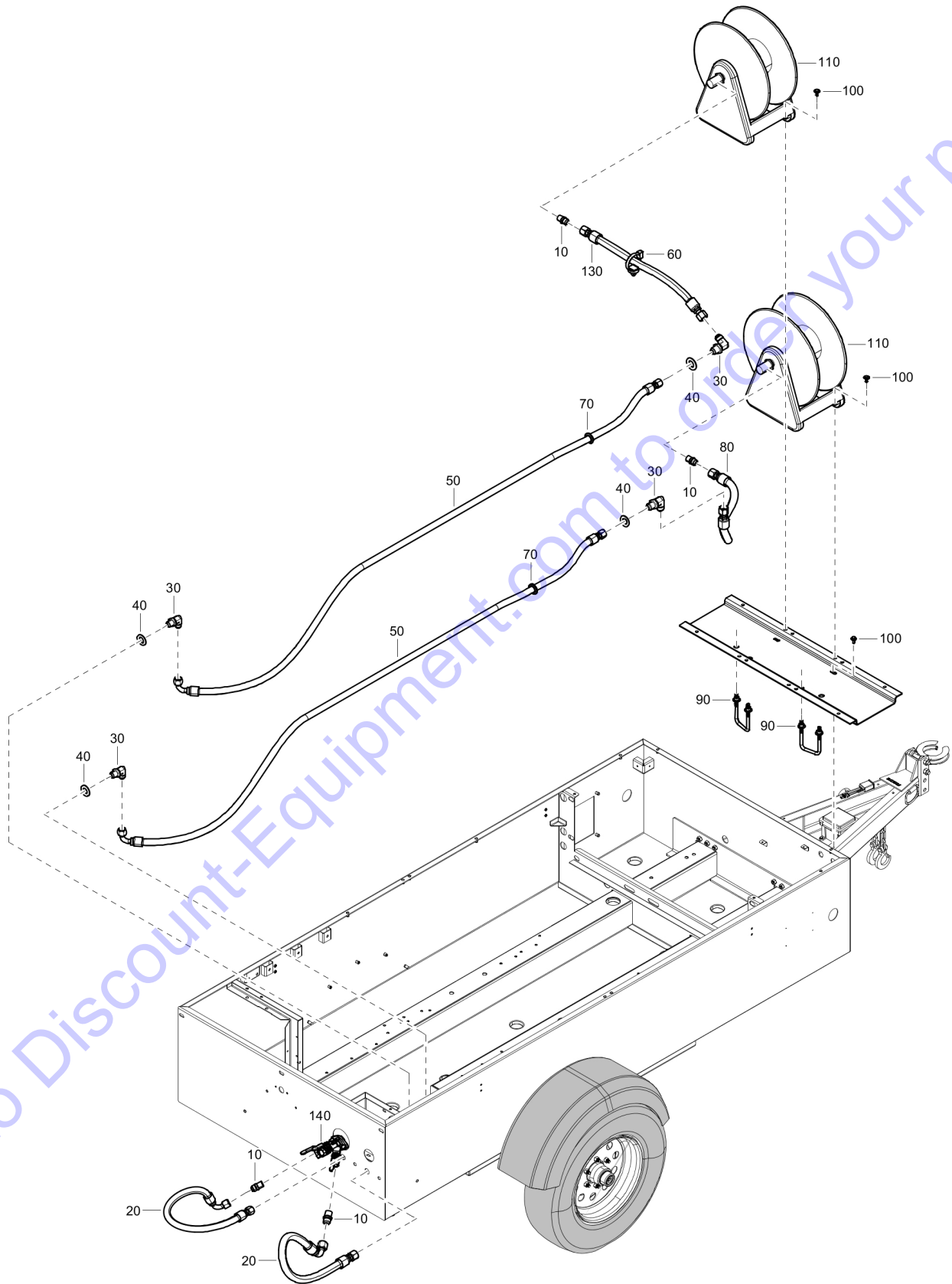
Id	Qty	Number	Name	Specifications
10	2	3176653900	ADAPTER: .750MPTX1.06-12JIC ST	
20	1	1316157600	HOSE ASSEMBLY: VALVE TO FRAME	
30	2	1310074470	ELBOW:BULKHEAD 90 12JIC M2M	
40	2	1310030978	WASHER-FLAT:27ID/50OD/4TH \$STL	
50	1	1316157800	HOSE ASSEMBLY: FRAME INTERIOR	
60	1	0348010212	CABLE TIE: WITH FIR TREE MOUNT	
70	1	1310073837	GROMMET:1-1/2ID HOLE 1/8 THK	
80	1	1316157700	HOSE ASSEMBLY: FRAME TO CENTER REEL	
90	2	1316206900	U-BOLT	
110	6	1615566400	HEX. HEAD SCREW	
120	1	1310034149	HOSE REEL:12" WIDE, 100FT	
130	1	1316206800	BRACKET:TOOLBOX SIZE 1	
140	1	1626857391	VALVE 3 WAY	

Go to Discount-Equipment.com to order your parts



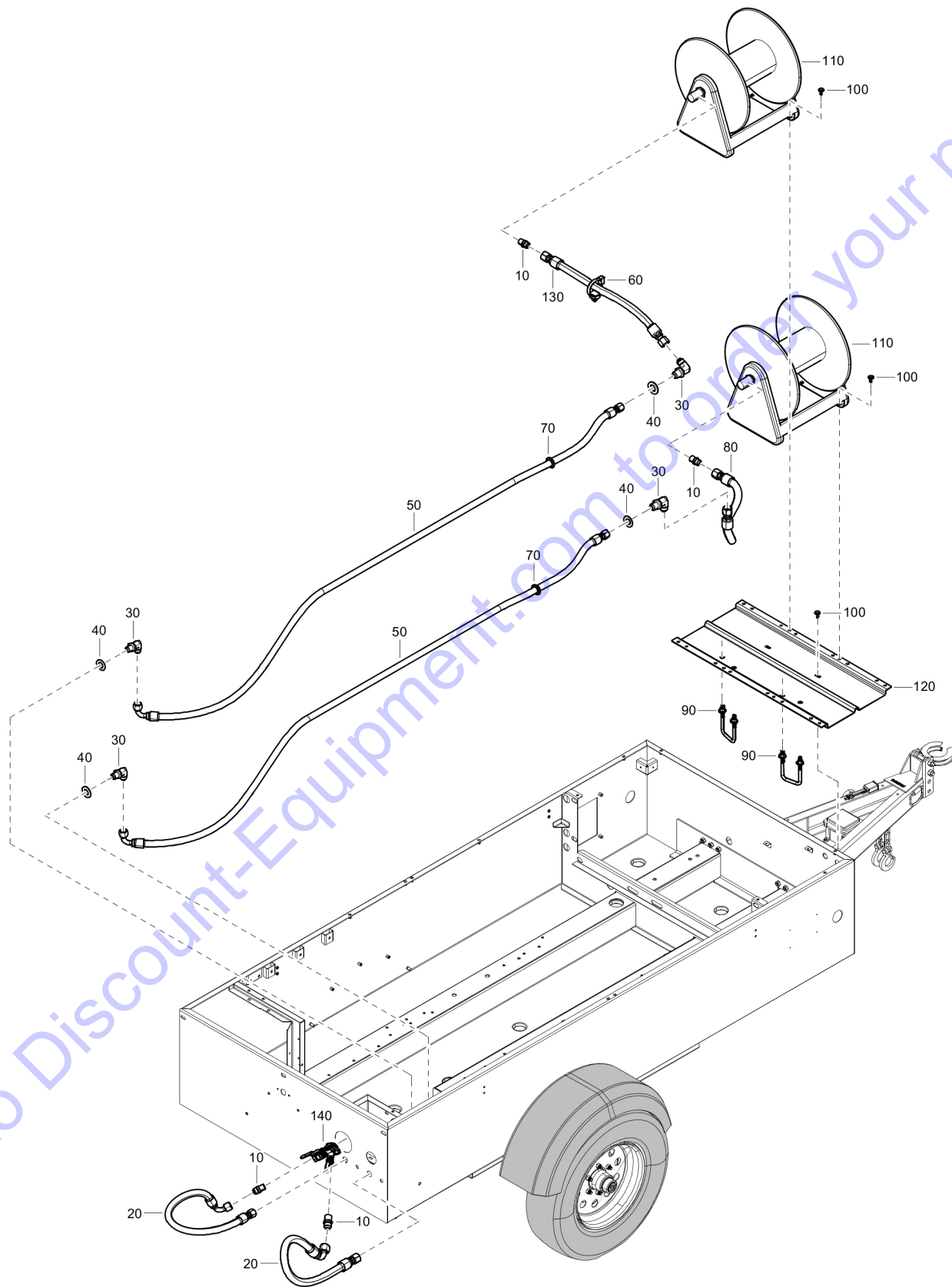
Id	Qty	Number	Name	Specifications
10	2	3176653900	ADAPTER: .750MPTX1.06-12JIC ST	
20	1	1316157600	HOSE ASSEMBLY: VALVE TO FRAME	
30	2	1310074470	ELBOW:BULKHEAD 90 12JIC M2M	
40	2	1310030978	WASHER-FLAT:27ID/50OD/4TH \$STL	
50	1	1316157800	HOSE ASSEMBLY: FRAME INTERIOR	
60	1	0348010212	CABLE TIE: WITH FIR TREE MOUNT	
70	1	1310073837	GROMMET:1-1/2ID HOLE 1/8 THK	
80	1	1316157700	HOSE ASSEMBLY: FRAME TO CENTER REEL	
90	2	1316206900	U-BOLT	
110	6	1615566400	HEX. HEAD SCREW	
120	1	1310034441	HOSE REEL:6" WIDE,50 FT	
140	2	0263321500	NUT: 1-1/6UN FOR -12 JIC	
150	1	1626857391	VALVE 3 WAY	

Go to Discount-Equipment.com to order your parts



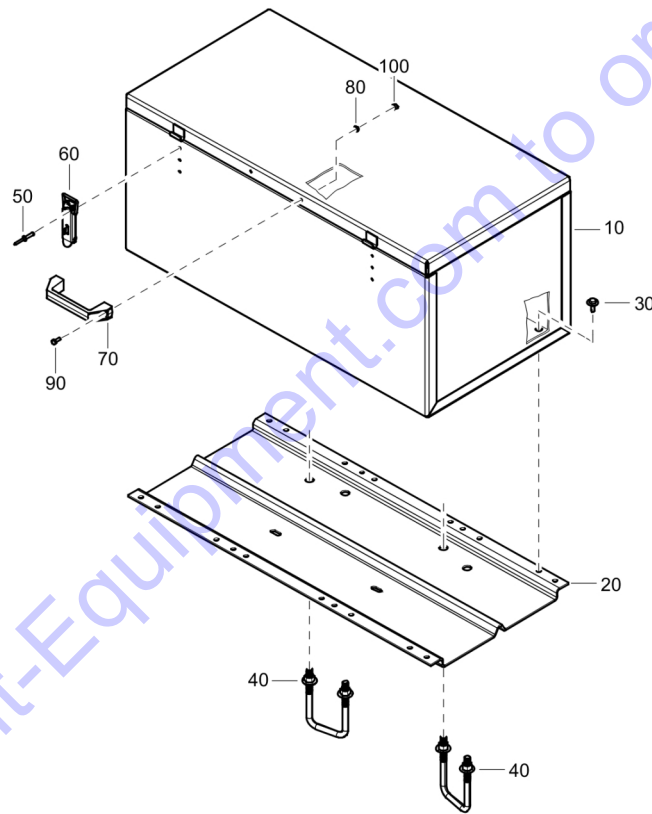
Id	Qty	Number	Name	Specifications
10	4	3176653900	ADAPTER: .750MPTX1.06-12JIC ST	
20	2	1316157600	HOSE ASSEMBLY: VALVE TO FRAME	
30	4	1310074470	ELBOW:BULKHEAD 90 12JIC M2M	
40	4	1310030978	WASHER-FLAT:27ID/50OD/4TH \$STL	
50	2	1316157800	HOSE ASSEMBLY: FRAME INTERIOR	
60	1	0348010212	CABLE TIE: WITH FIR TREE MOUNT	
70	2	1310073837	GROMMET:1-1/2ID HOLE 1/8 THK	
80	1	1316157900	HOSE ASSEMBLY: FRAME TO CURB REEL	
90	2	1316206900	U-BOLT	
100	10	1615566400	HEX. HEAD SCREW	
110	2	1310034441	HOSE REEL:6" WIDE,50 FT	
130	1	1316208300	HOSE ASSEMBLY: FRAME TO ROAD REEL	
140	1	1626857391	VALVE 3 WAY	

Go to Discount-Equipment.com to order your parts



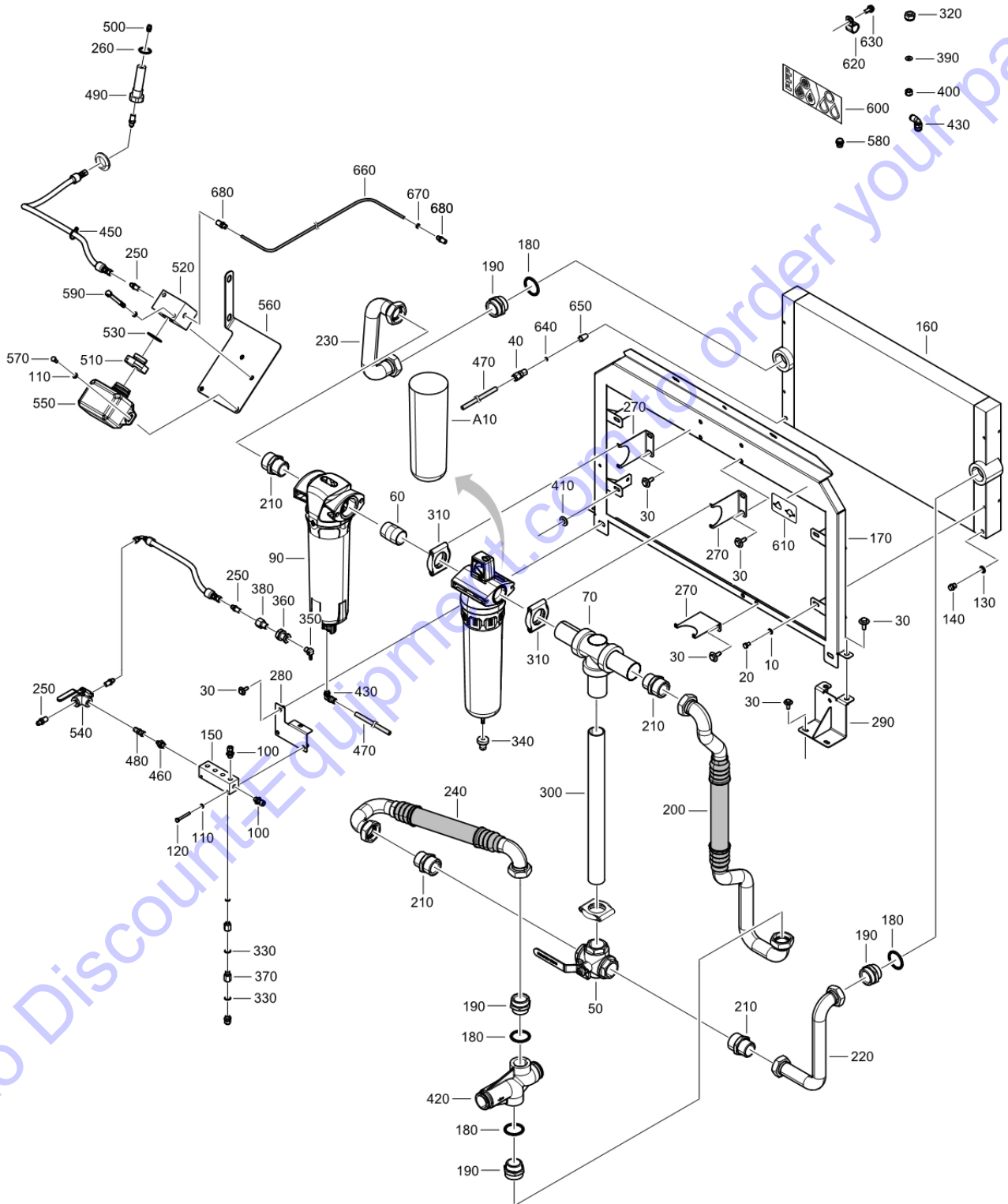
Id	Qty	Number	Name	Specifications
10	4	3176653900	ADAPTER: .750MPTX1.06-12JIC ST	
20	2	1316157600	HOSE ASSEMBLY: VALVE TO FRAME	
30	4	1310074470	ELBOW:BULKHEAD 90 12JIC M2M	
40	4	1310030978	WASHER-FLAT:27ID/50OD/4TH \$STL	
50	2	1316157800	HOSE ASSEMBLY: FRAME INTERIOR	
60	1	0348010212	CABLE TIE: WITH FIR TREE MOUNT	
70	2	1310073837	GROMMET:1-1/2ID HOLE 1/8 THK	
80	1	1316157900	HOSE ASSEMBLY: FRAME TO CURB REEL	
90	2	1316206900	U-BOLT	
100	10	1615566400	HEX. HEAD SCREW	
110	2	1310034149	HOSE REEL:12" WIDE, 100FT	
120	1	1316206800	BRACKET:TOOLBOX SIZE 1	
130	1	1316208300	HOSE ASSEMBLY: FRAME TO ROAD REEL	
140	1	1626857391	VALVE 3 WAY	

Go to Discount-Equipment.com to order your parts



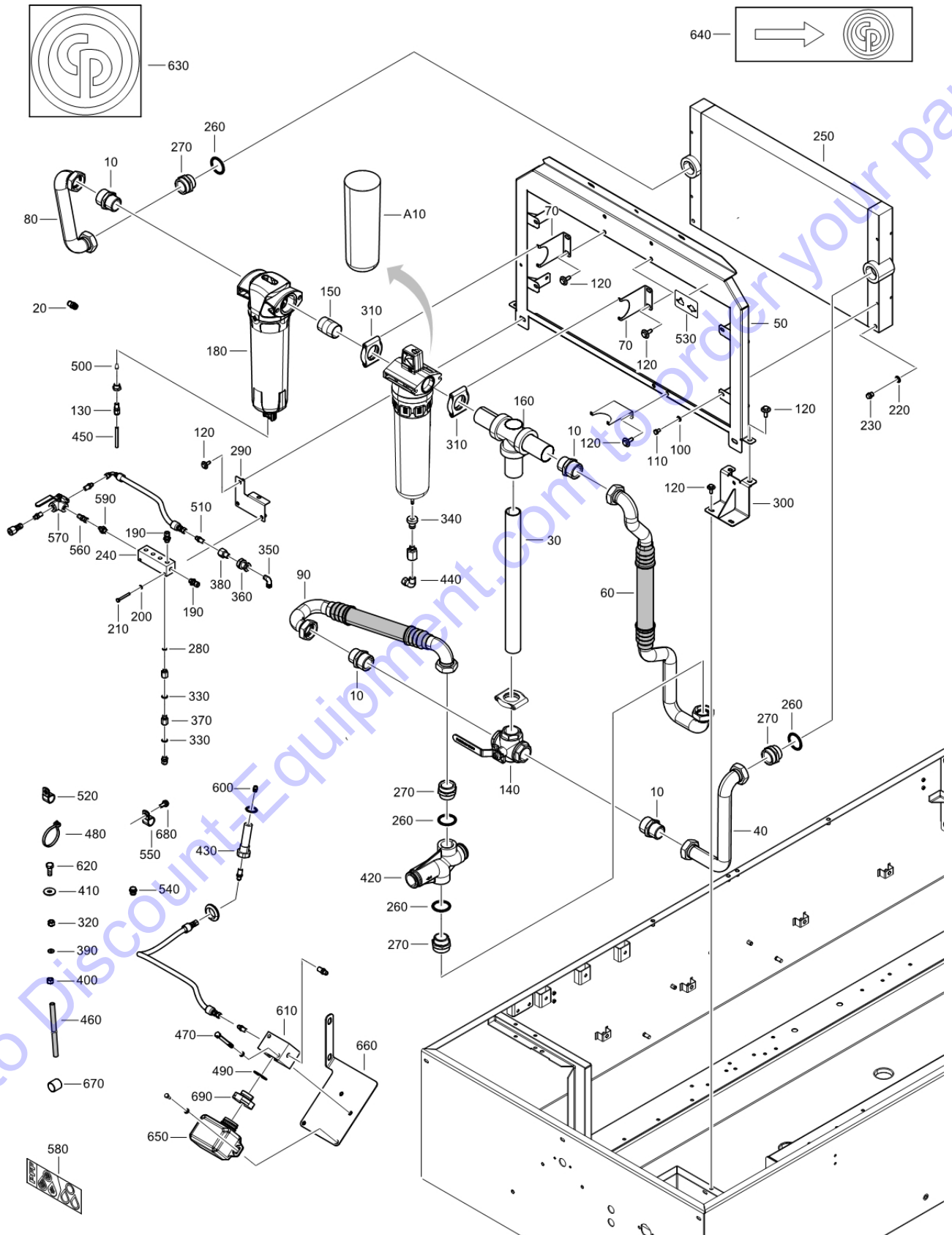
Id	Qty	Number	Name	Specifications
10	1	1310469402	TOOLBOX:LARGE,DRAWBAR MNT,BLK	
20	1	1316206800	BRACKET:TOOLBOX SIZE 1	
30	10	1615566400	HEX. HEAD SCREW	
40	2	1316206900	U-BOLT	
50	6	1310032787	RIVET-POP: .187DX.375L(.126/.25	
60	2	1604668600	LATCH	
70	1	1202867300	HANDGRIP	
80	2	0333212100	Washer	
90	2	0147124603	HEX. BOLT M6X16X8.8	
100	2	0266210800	NUT M6	

Go to Discount-Equipment.com to order your parts



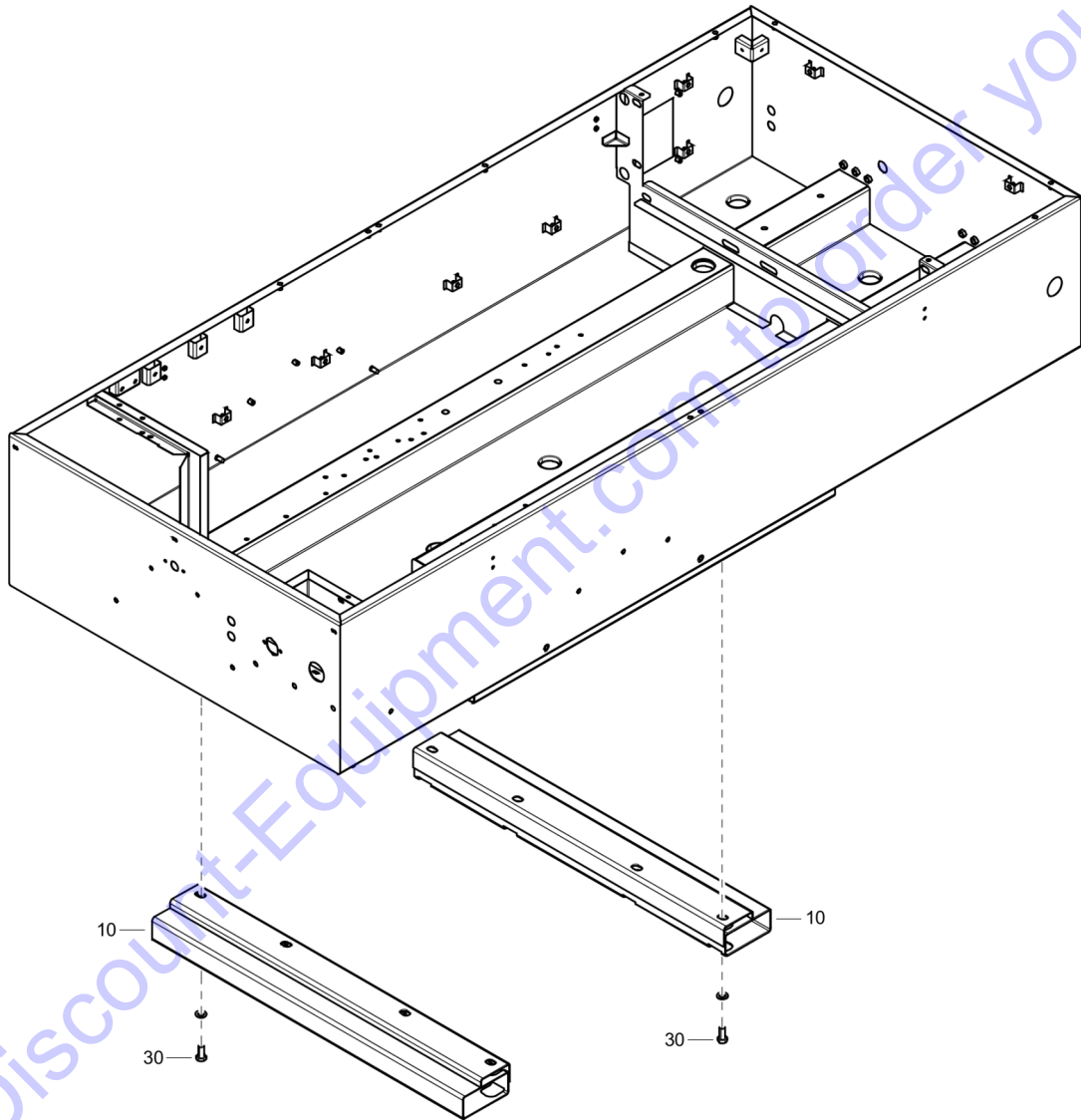
Id	Qty	Number	Name	Specifications
10	16	0301233500	PLAIN WASHER	
20	8	0147132103	HEX. BOLT M8X14X8.8	
30	21	1615566400	HEX. HEAD SCREW	
40	1	1615861902	COUPLING	
50	1	1310075988	VALVE:3-WAY BALL 1-1/2NPT "F"	
60	2	1310084100	NIPPLE:CLOSE 1.5NPT X 2.5L	
70	1	1316010262	TEE: 1 1/2" NPT	
A10	1	2901207208	KIT FILTER UD220+	
90	1	1638661200	FILTRO WSD	
100	4	0581000035	COUPLING G1/4XD.8	
110	2	0301232100	WASHER M6	
120	2	0147196276	HEX. HEAD SCREW M6X50-8.8	
130	1	0661100038	SEAL WASHER DOWTY 1/4	
140	3	0686371601	PLUG 1/4 AA	
150	1	1310801700	MANIFOLD: 8MM TUBING	
160	1	1310127300	AFTERCOOLER:XAS400	
170	1	1316115401	PANEL - AFTERCOOLER	
180	4	0661106200	SEALING WASHER	
190	4	0571003541	NIPLE M52X1,5 X G1.1/2"	
200	1	1316140000	HOSE: AIR OUT	
210	4	1316010101	NIPPLE - ADAPTOR:M42 X 1.5 NPT	
220	1	1316113101	PIPE: TO AFTERCOOLER	
230	1	1316142901	PIPE - AFTERCOOLER FILTERS	
240	1	1316143000	HOSE - VESSEL TO VALVE	
250	3	1310076187	COUPLING:1/4NPTX8MM PUSH-TO-LK	
260	1	0653116500	FLAT GASKET	
270	3	1316142800	BRACKET - AFTERCOOLER FILTERS	
280	1	1316116300	SUPPORT:TUBING MANIFOLD BLOCK	
290	1	1316116100	SUPPORT:AFTERCOOLER XAS400/440	
300	1	1316113001	PIPE: AFTERCOOLER	
310	3	1310050304	CLAMP:U-BOLT 2"OD X 5/16THD	
320	6	0292130500	LOCKNUT	
330	7	0653106200	GASKET 13 X 20 X 1.5	
340	1	1310963881	DRAIN PORT:PD/DD FILTER ASY	
350	1	0581120023	ELBOW	
360	1	1310072952	BULKHEAD: ANCHOR COUPLING	
370	1	1310224200	PRESSURE REDUCER:1.5MM	
380	1	1316010074	ADP 1/4"BSPP X 1/4"MNPT BRASS,	
390	2	0301232700	PLAIN WASHER	
400	1	0266211000	HEXAGON NUT M8	
410	1	0300027666	WASHER:M8.40/16.0X1.5T BLACK	
420	1	1638795100	CONNECTOR	
430	2	1310074084	ELBOW	
450	1	0348010212	CABLE TIE: WITH FIR TREE MOUNT	
460	1	1310923752	FITTING:1/4BSPPX1/4JIC MALE	

Id	Qty	Number	Name	Specifications
470	7	0070600205	PLASTIC TUBE	
480	1	1310266507	ADAPTER:-4JICF TO 0.25NPT	
490	1	1316010006	PIPE:CONDENSATE REMOVAL	
500	1	1316010001	NOZZLE:40PSI .3GPM 1/8MNPT	
510	1	1626555280	VALVE ASSEMBLY	
520	1	1316010300	BLOCK: CONDENSATE FLASH DRAIN	
530	1	0653118900	GASKET 33 X 39 X 2	
540	1	1310266508	VALVE:3WAY 0.25+ NPT	
550	1	1316156700	CONDENSATE FLASH BOTTLE	
560	1	1316199200	COND. FLASH BOTTLE BRACKET	
570	2	1316010307	THUMB SCREW: M6 X 10MM	
580	1	1310073837	GROMMET:1-1/2ID HOLE 1/8 THK	
590	2	0147133603	SCREW	
600	1	1310677100	LABEL:QUALITY AIR (PFF)	
610	1	1310035608	LABEL:AC VALVE POS XAS400CD	
620	1	1310075638	CLAMP:3/4" ID, M8 HOLE	
630	1	1619276600	SCR.BOLT M8X20	
640	1	1615862000	RESTRICTOR	
650	1	0803501210	SILENCER	
660	9	0075402569	TUBE	
670	2	1310035202	CLAMP-HOSE: .56-1.06	
680	2	1310032151	ADAPTER-HOSE:.250NPT X.375BARB	



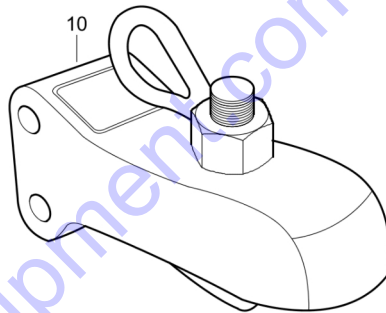
Id	Qty	Number	Name	Specifications

Go to Discount-Equipment.com to order your parts



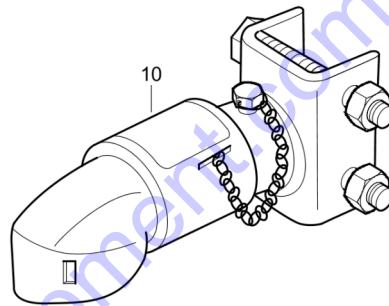
Id	Qty	Number	Name	Specifications
10	1	1316206100	FORK POCKET - FRONT	
30	8	1316010275	Screw:m16 x 35mm; fhcs,zn plt	

Go to Discount-Equipment.com to order your parts



Id	Qty	Number	Name	Specifications
10	1	1310034211	COUPLER:1.88/2.00 IN. BALL	

Go to Discount-Equipment.com to order your parts

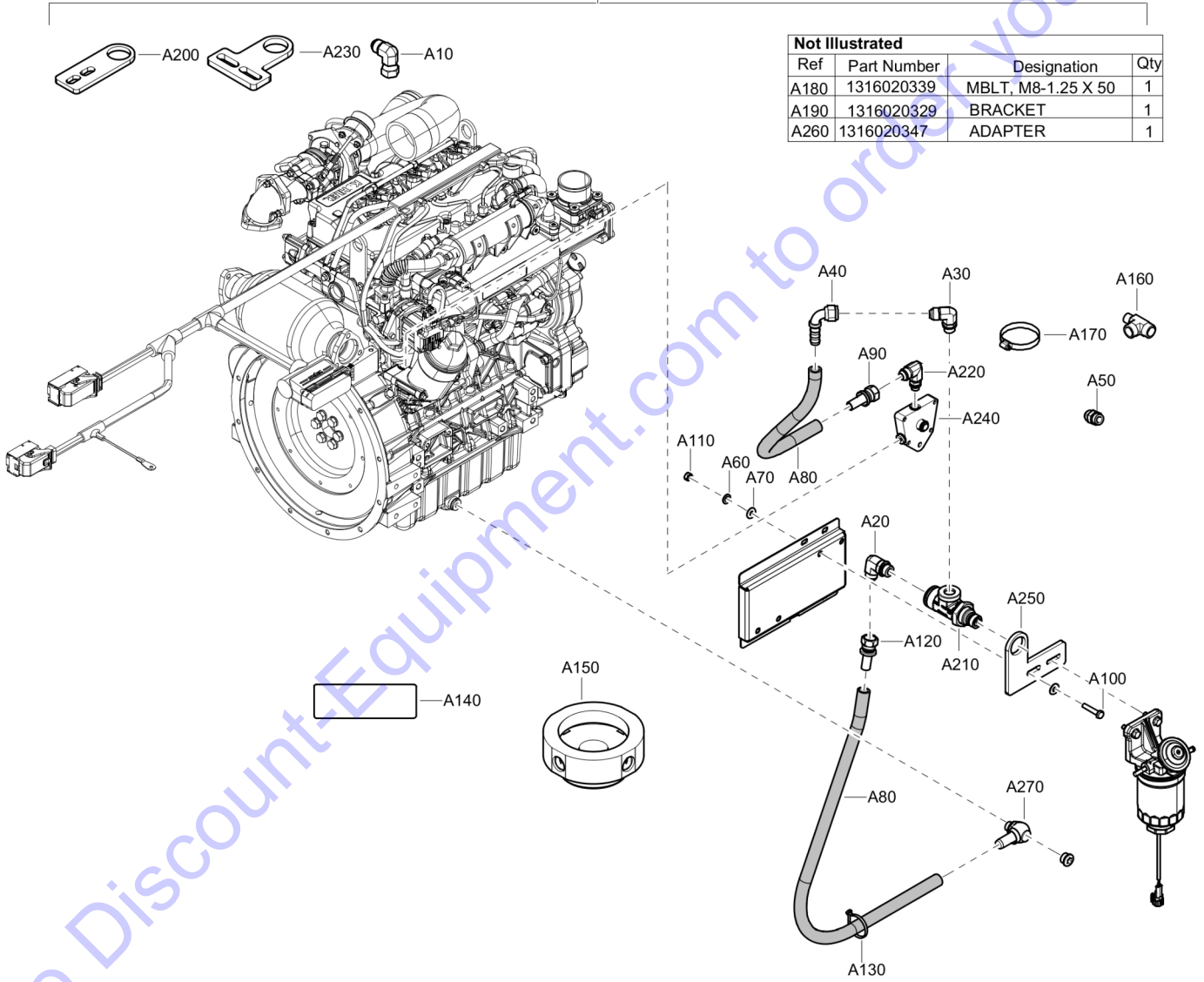


Go to Discount-Equipment.com to order your parts

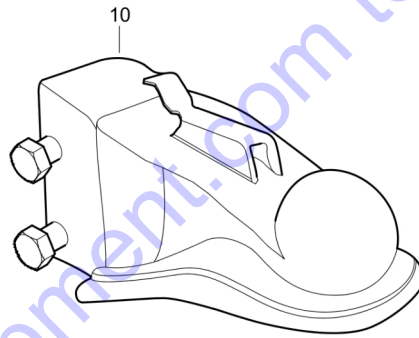
Id	Qty	Number	Name	Specifications
10	1	1310072216	COUPLER:ADJUSTABLE 2+ BULLDOG	

Go to Discount-Equipment.com to order your parts

10



Id	Qty	Number	Name	Specifications
A10	1	1316020311	Adapter elbow, swivel 90 10m	
A20	1	1316020312	Adapter elbow, 90 10m stor -	
A30	1	1316020313	Adapter elbow, 90 8m stor - 1	
A40	1	1316020315	ADAPTER, 8M STOR - 10M JIC	
A50	1	1316020316	ADAPTER, 10M STOR - 10M JIC	
A60	2	1316020317	Wshr, helical lock - 3/8"	
A70	4	1316020318	MWSHR, FLAT - M8	
A80	120	1316020319	Hose, push-on (barb), 5/8 id (
A90	4	1316020320	Hose fitting, str #10 socketle	
A100	2	1316020322	Mblt, m8-1.25 x 40, h, s, 8.8,	
A110	2	1316020324	NUT, M8-1.25, HX, ST, G8, ZN	
A120	1	1316020325	Hose fitting, elb #10 socketle	
A130	1	1316020326	NYLON CABLE TIES- 3 EA 102037-	
A140	1	1316020327	"QUICKFIT ON BOARD" STICKER	
A150	1	1316020344	FILTER RING ASSY, JOHN DEERE M	
A160	1	1316020372	TEE, #10 BARBED TEE, SPLICER (
A170	3	1316020373	HOSE CLAMP, #10, WORM-DRIVE (3	
A180	2	1316020339	Mblt, m8-1.25 x 50, h, s, 10.9	
A190	1	1316020329	Bracket, 90 for 106403 forged	
A200	1	1316020330	Bracket, flat for 106403 forge	
A210	1	1316020331	SMALL QF VALVE; FORGED; 1/2" F	
A220	1	1316020346	CHECK VALVE, ELBOW, 90 8M STO	
A230	1	1316020332	Bracket, flat tee for 106403 f	
A240	1	1316020333	Bracket, 90 tee for 106403 fo	
A250	1	1316020334	BRACKET, EXTRA LONG, 90 "L"	
A260	1	1316020347	ADAPTER, M18X1.5M (ISO 6149-O-	
A270	1	1316020348	ADAPTER ELBOW, 90 M18X1.5M (I	



Go to Discount-Equipment.com to order your parts

Id	Qty	Number	Name	Specifications
10	1	1310032964	COUPLER-TOWING:ADJUSTABLE	

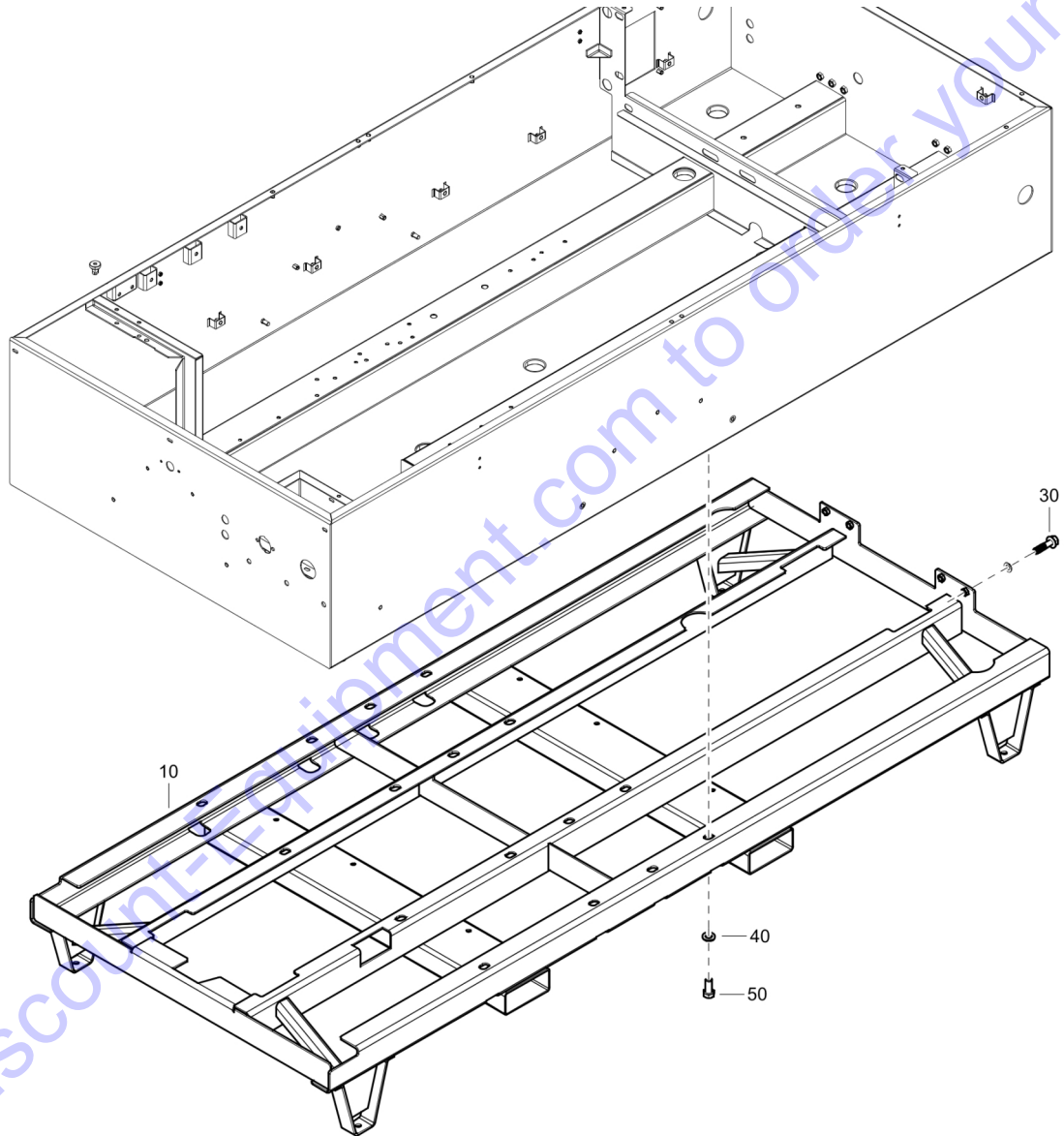
Go to Discount-Equipment.com to order your parts

Not Illustrated			
Ref	Part Number	Designation	Qty
10	1310796196	Block heater	1

Go to Discount-Equipment.com to order your parts

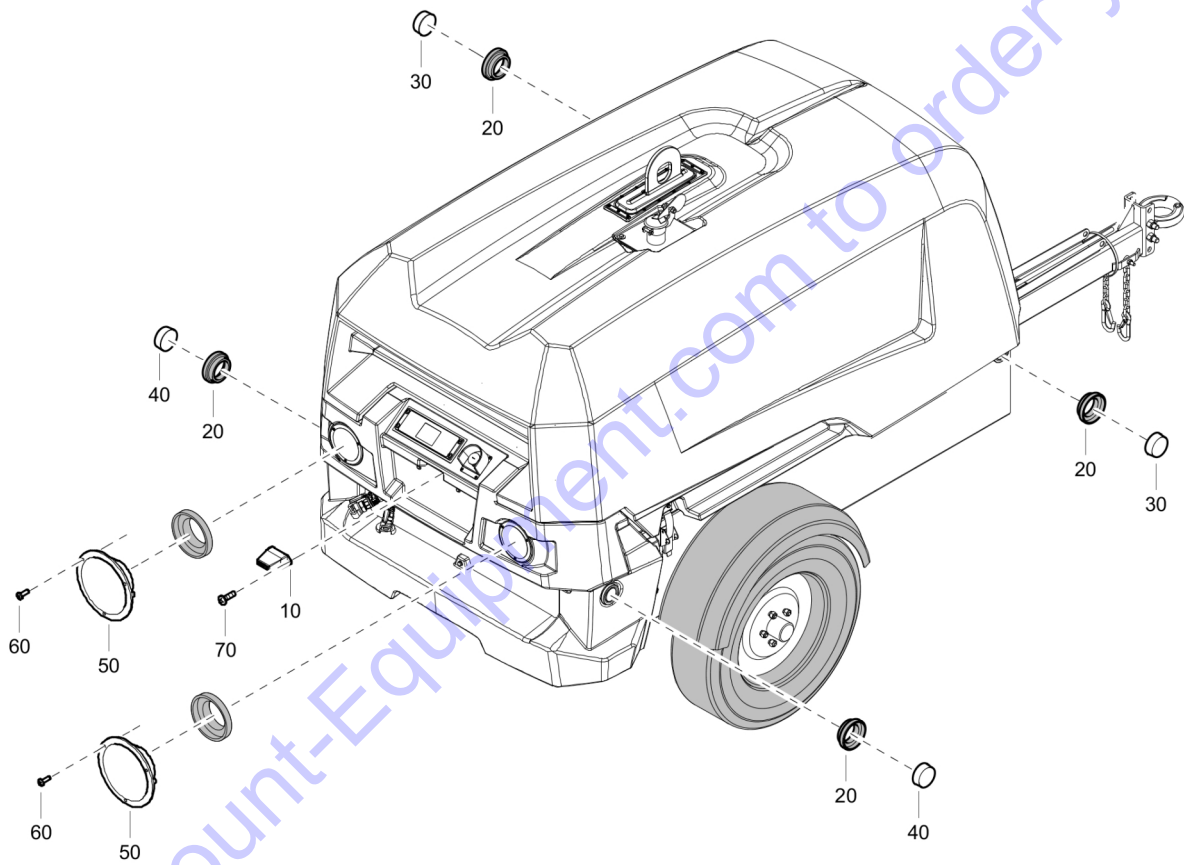
Id	Qty	Number	Name	Specifications
10	1	1310796196	BLOCK HEATER:KOHLER PUMPS	

Go to Discount-Equipment.com to order your parts



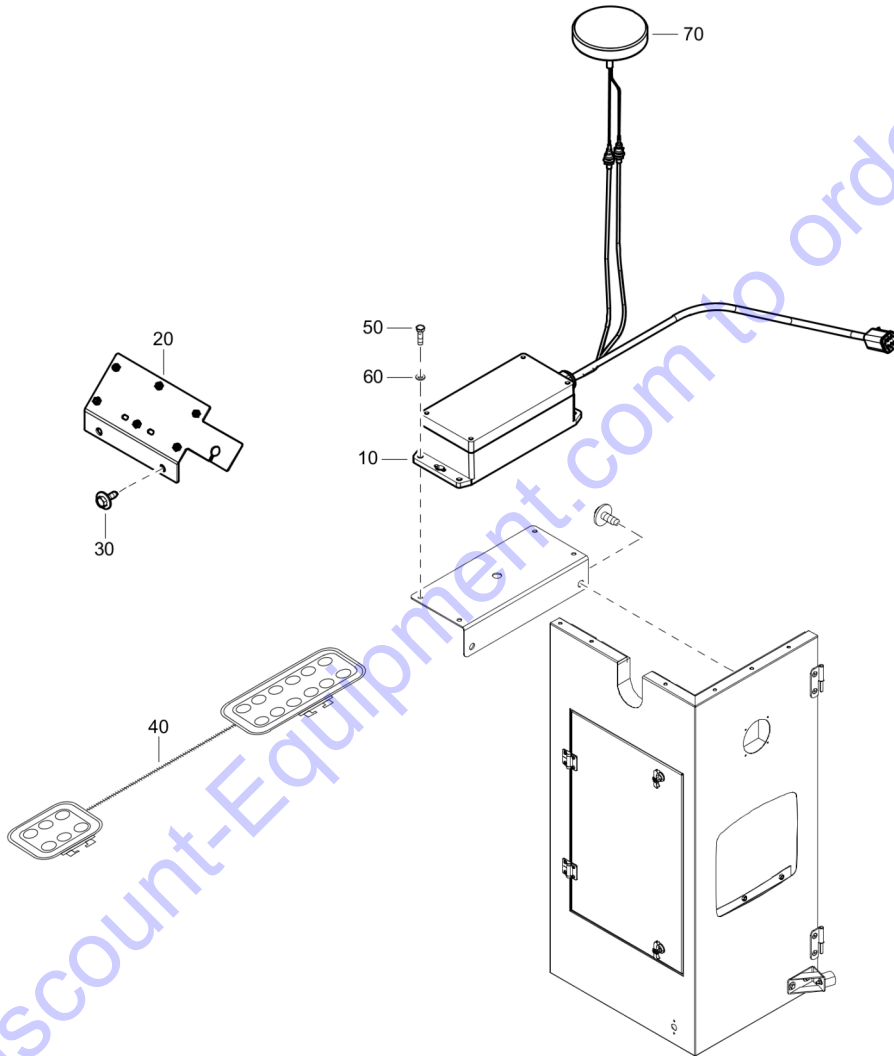
Id	Qty	Number	Name	Specifications
10	1	1316157000	SKID:OPTION SIZE 1	
30	4	1316010183	SCREW: .500-13X2.00L HXFLHD	
40	16	0301237800	PLAIN WASHER(A) 17 X 30 X 3	
50	16	0147147603	HEX. HEAD SCREW M16 X 35	

Go to Discount-Equipment.com to order your parts



Id	Qty	Number	Name	Specifications
10	1	1310036971	LAMP:LICENSE PLATE	
20	4	1310415500	GROMMET:2" SIDE MARKER LIGHTS	
30	2	1310414300	REFLECTOR:AMBER	
40	2	1310414200	REFLECTOR: RED	
50	2	1310416600	LAMP:STOP-TURN TAIL,4+ W/RING,	
60	6	1310075725	SCREW:DRILL, M4.2X16MM CRSSPAN	
70	2	0160099611	HDW M4X.7 16mm PHMS, PHILLIPS,	

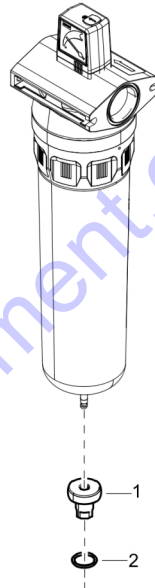
Go to Discount-Equipment.com to order your parts



Go to Discount-Equipment.com to order your parts

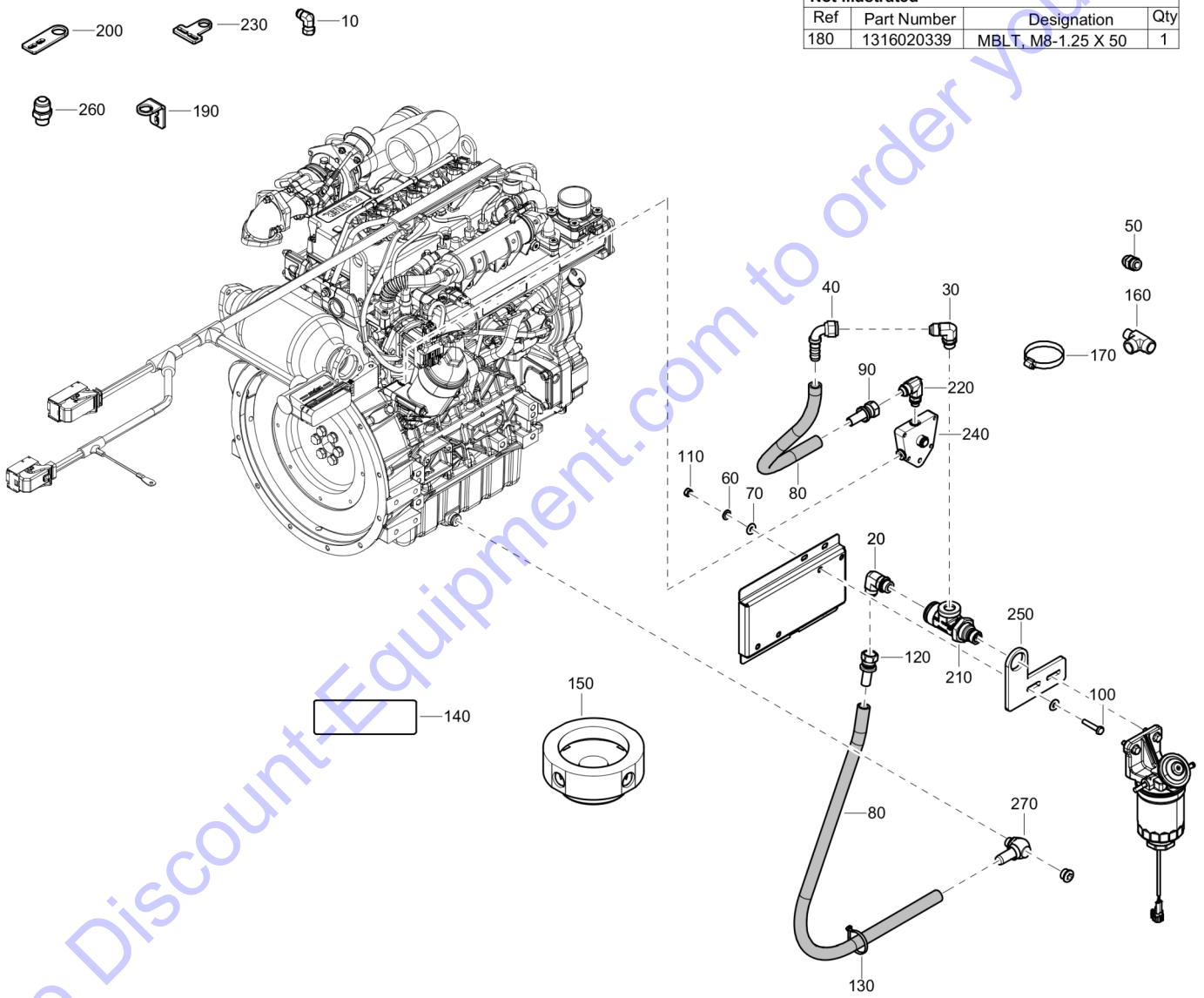
Id	Qty	Number	Name	Specifications
10	1	1638886200	MODULE	
20	1	1316175100	TELEMATICS MOUNTING PLATE	
30	2	1615566400	HEX. HEAD SCREW	
40	1	1310219401	WIRE HARNESS:FLEETLINK JUMPER	
50	4	0147120703	HEX. BOLT M5X16X8.8	
60	4	0301231800	PLAIN WASHER	
70	1	1089959309	ANTENNA	

Go to Discount-Equipment.com to order your parts



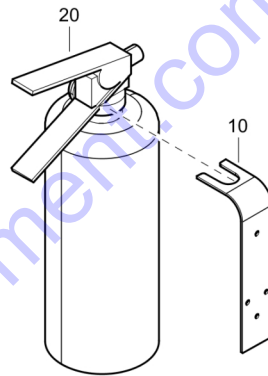
Id	Qty	Number	Name	Specifications
1	1	1310963801	Drain port	
2	1	1310963850	O-ring	

Go to Discount-Equipment.com to order your parts



Go to Discount-Equipment.com to order your parts

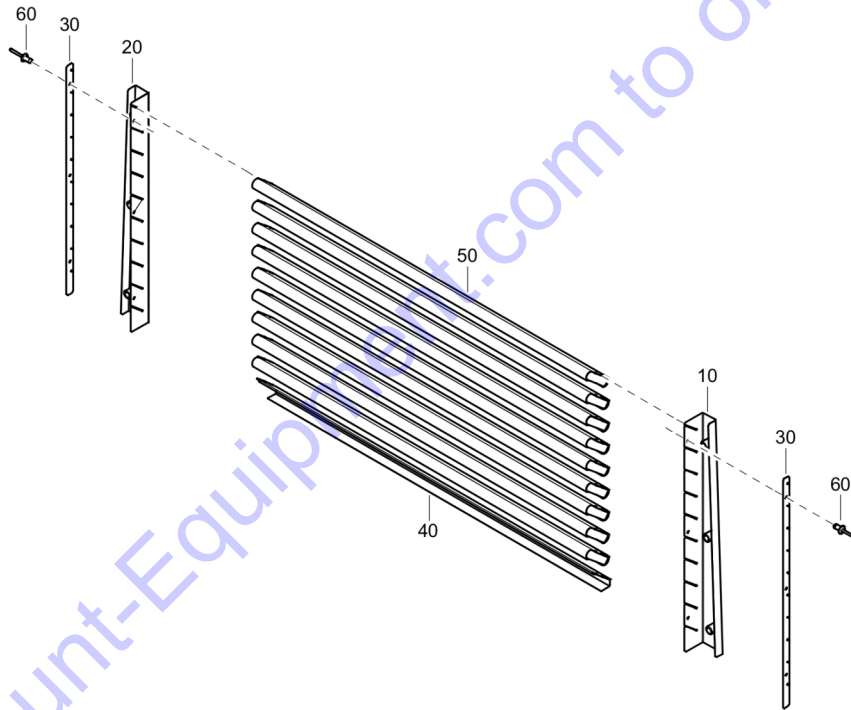
Id	Qty	Number	Name	Specifications
10	1	1316020311	Adapter elbow, swivel 90 10m	
20	1	1316020312	Adapter elbow, 90 10m stor -	
30	1	1316020313	Adapter elbow, 90 8m stor - 1	
40	1	1316020315	ADAPTER, 8M STOR - 10M JIC	
50	1	1316020316	ADAPTER, 10M STOR - 10M JIC	
60	2	1316020317	Wshr, helical lock - 3/8"	
70	4	1316020318	MWSHR, FLAT - M8	
80	120	1316020319	Hose, push-on (barb), 5/8 id (
90	4	1316020320	Hose fitting, str #10 socketle	
100	2	1316020322	Mblt, m8-1.25 x 40, h, s, 8.8,	
110	2	1316020324	NUT, M8-1.25, HX, ST, G8, ZN	
120	1	1316020325	Hose fitting, elb #10 socketle	
130	1	1316020326	NYLON CABLE TIES- 3 EA 102037-	
140	1	1316020327	"QUICKFIT ON BOARD" STICKER	
150	1	1316020344	FILTER RING ASSY, JOHN DEERE M	
160	1	1316020372	TEE, #10 BARBED TEE, SPLICER (
170	3	1316020373	HOSE CLAMP, #10, WORM-DRIVE (3	
180	2	1316020339	Mblt, m8-1.25 x 50, h, s, 10.9	
190	1	1316020329	Bracket, 90 for 106403 forged	
200	1	1316020330	Bracket, flat for 106403 forge	
210	1	1316020331	SMALL QF VALVE; FORGED; 1/2" F	
220	1	1316020346	CHECK VALVE, ELBOW, 90 8M STO	
230	1	1316020332	Bracket, flat tee for 106403 f	
240	1	1316020333	Bracket, 90 tee for 106403 fo	
250	1	1316020334	BRACKET, EXTRA LONG, 90 "L"	
260	1	1316020347	ADAPTER, M18X1.5M (ISO 6149-O-	
270	1	1316020348	ADAPTER ELBOW, 90 M18X1.5M (I	



Go to Discount-Equipment.com to order your parts

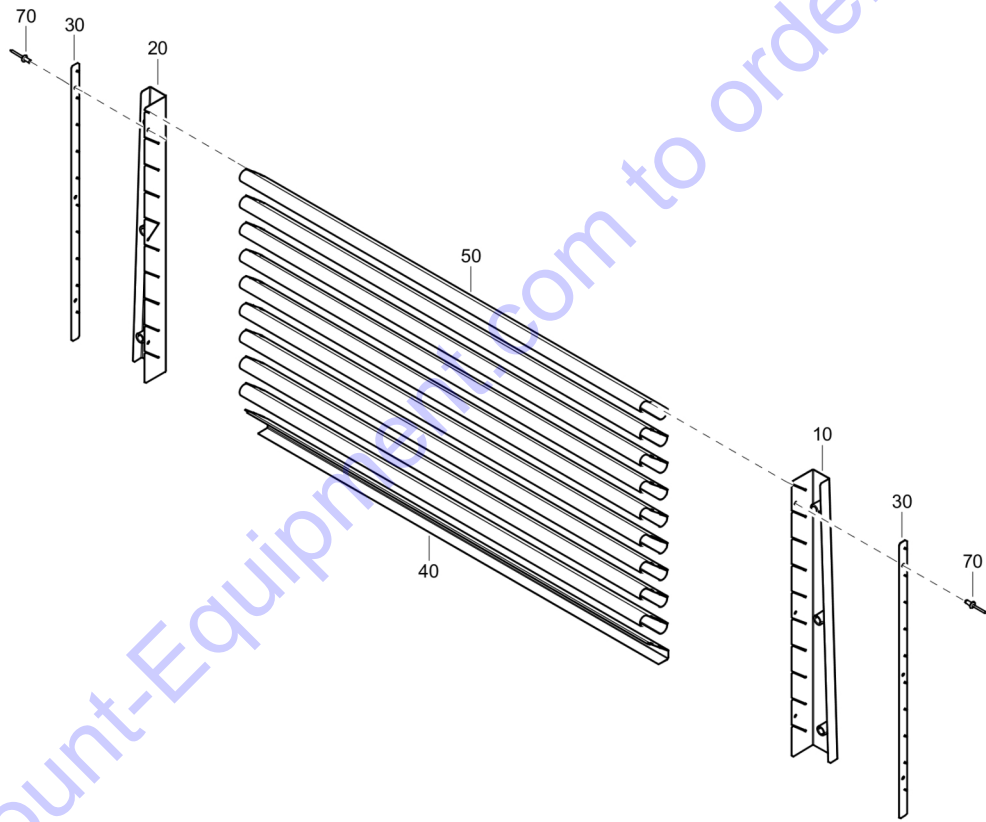
Id	Qty	Number	Name	Specifications
10	1	1316162110	BRACKET:MNT FOR FIRE EXT 2.5AB	
20	1	1316162105	FIRE EXTINGUISHER:2.5LB ABC VM	

Go to Discount-Equipment.com to order your parts



Id	Qty	Number	Name	Specifications
10	1	1316113990	Plate: baffle side sunbelt	
20	1	1316114090	Plate: baffle side sunbelt	
30	2	1316114190	Plate: baffle side retainer	
40	1	1316114290	Plate: baffle base sunbelt	
50	9	1316114390	Baffle sunbelt	
60	6	0129312100	RIVET	

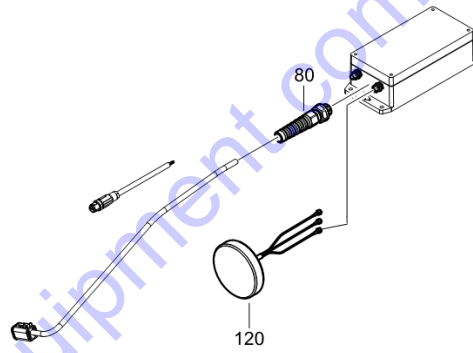
Go to Discount-Equipment.com to order your parts



Go to Discount-Equipment.com to order your parts

Id	Qty	Number	Name	Specifications
10	1	1316176000	PLATE:BAFFLE SIDE RED	
20	1	1316176005	PLATE:BAFFLE SIDE RED	
30	2	1316176010	PLATE:BAFFLE SIDE RETAINER RED	
40	1	1316176015	PLATE:BAFFLE BASE	
50	9	1316176020	PLATE:BAFFLE LOUVER RED	
70	6	0129312100	RIVET	

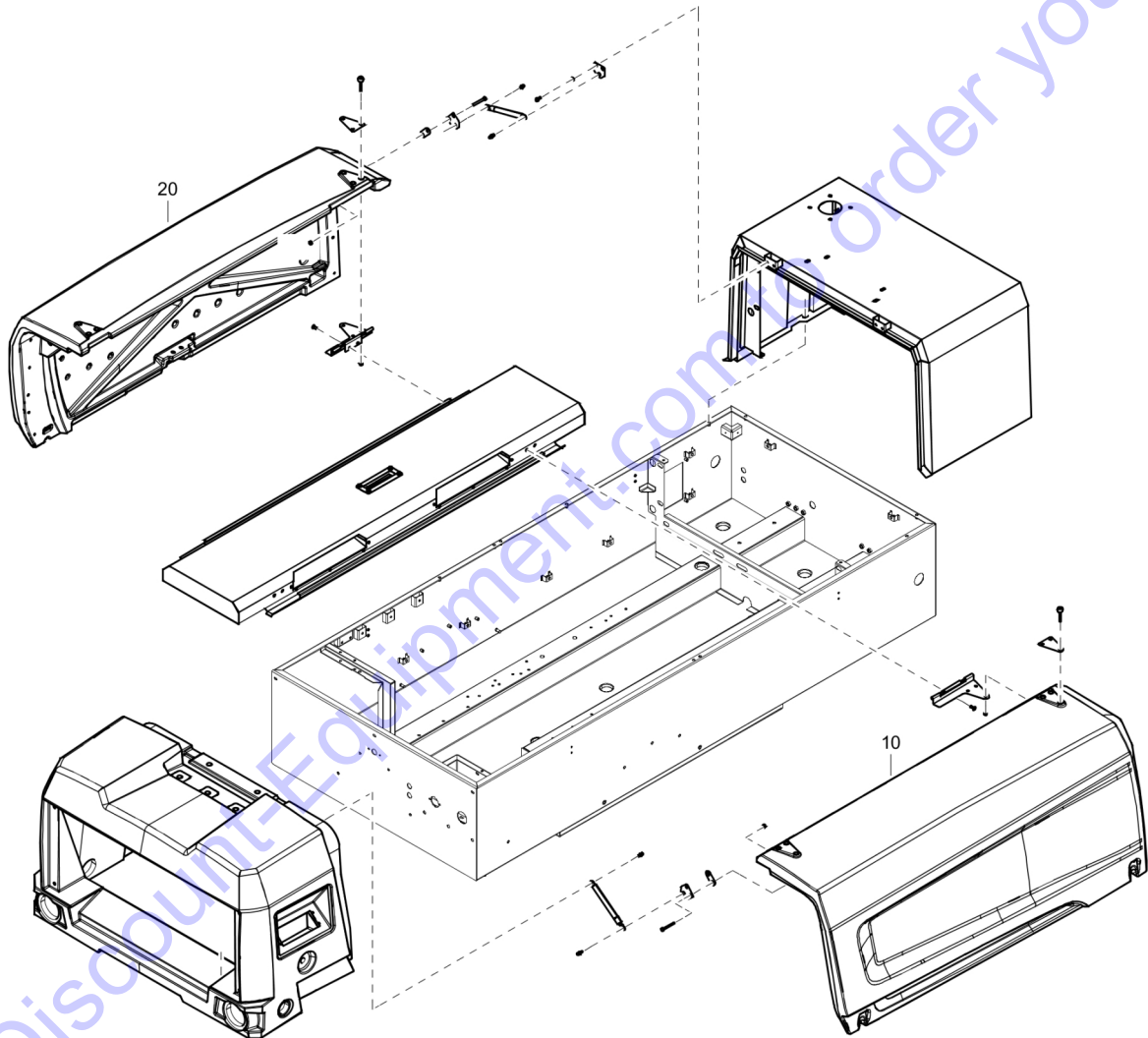
Go to Discount-Equipment.com to order your parts



Go to Discount-Equipment.com to order your parts

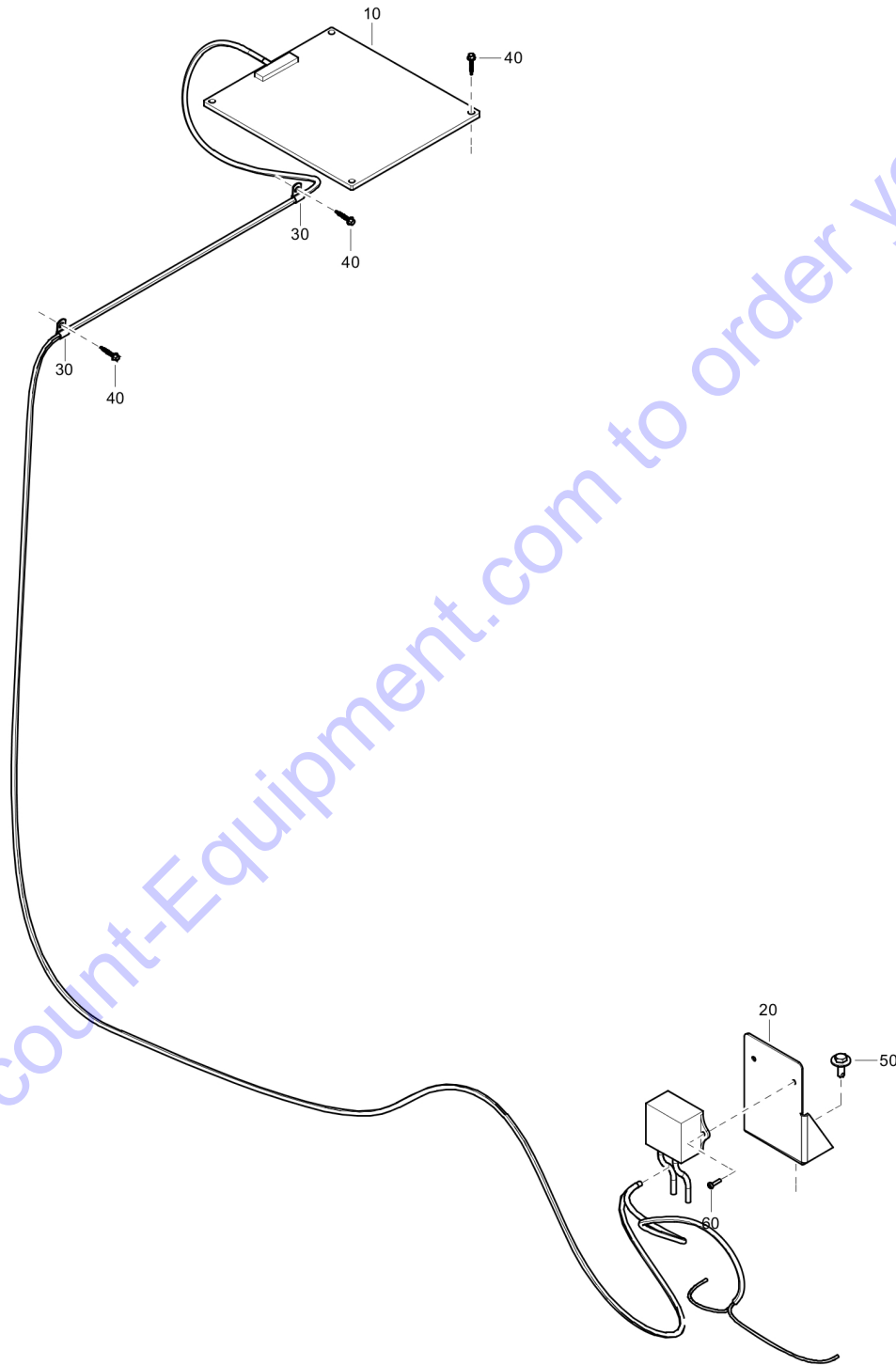
Id	Qty	Number	Name	Specifications
14	1	1638911500	ANTENNA	

Go to Discount-Equipment.com to order your parts



Id	Qty	Number	Name	Specifications
10	1	1316176510	Door:right	
20	1	1316176520	Door:left	

Go to Discount-Equipment.com to order your parts



Go to Discount-Equipment.com to order your parts

Id	Qty	Number	Name	Specifications
10	1	1310076559	PANEL:SOLAR CHARGER, 7W	
20	1	1316215100	BRACKET:SOLAR CHARGER	
30	2	1310034983	CLAMP:XAS 96JDU DOOR STAY	
40	6	1316010079	SCREW:DRILL,#8-18 X 1+ HEX FZB	
50	2	1615566400	HEX. HEAD SCREW	
60	2	0160099611	HDW M4X.7 16mm PHMS, PHILLIPS,	

Go to Discount-Equipment.com to order your parts

Not Illustrated			
Ref	Part Number	Designation	Qty
6	1310030059	VALVE-FLOW	1

Go to Discount-Equipment.com to order your parts

Id	Qty	Number	Name	Specifications
6	2	1310030059	VALVE-FLOW CNT: .75MPT/ .75FPT	

Go to Discount-Equipment.com to order your parts

Part no	Part no	Part no	Part no	Part no	Part no
	Maintenancekit		1316205605		1316010101
			1316205600		1316205600
	1316205600		1316205600		1316205605
	1316205605		1316205605		1316205605
	1316205605		1316205605		1316205605
	1316205605		1316205605		1316205605
	Maintenancekit		Maintenancekit		1316205605
	Maintenancekit		2911000053		2911000053
	Maintenancekit		Maintenancekit		Maintenancekit
	Maintenancekit		Maintenancekit		Maintenancekit
	Maintenancekit		Maintenancekit		Maintenancekit
	Maintenancekit	0070600205	1317000036	0070600205	1317000182
0070600206	1317000036	0075402569	1317000182	0075402569	1317000274
0075402569	1317000261	0075402569	1317000261	0075402569	1317000261
0075402569	1317000261	0075402569	1317000261	0075402569	1317000261
0075402569	1317000274	0075402569	1317000260	0075402569	1317000261
0101195140	1317000270	0129310300	1317000295	0129312100	1316176080
0129312100	1316113981	0144324803	1317000315	0144324803	1317000261
0147111057	1317000036	0147111057	1317000270	0147120703	1317000291
0147120903	1317000315	0147121403	1317000262	0147121403	1317000322
0147124403	1317000322	0147124403	1317000262	0147124603	1317000187
0147124603	1317000313	0147124703	1317000261	0147124703	1317000272
0147124703	1317000315	0147124903	1317000272	0147125003	1317000272
0147132003	1316138781	0147132103	1317000274	0147132103	1317000182
0147132203	1317000274	0147132203	1317000315	0147132303	1317000262
0147132303	1317000481	0147132303	1317000322	0147132303	1317000035
0147132503	1317000313	0147132503	1317000269	0147132603	1317000271
0147132603	1317000273	0147132803	1317000273	0147132803	1317000322
0147132803	1317000262	0147132903	1317000322	0147132903	1317000262
0147133103	1317000261	0147133403	1317000262	0147133403	1317000322
0147133603	1317000182	0147133803	1317000322	0147133803	1317000036
0147133803	1317000262	0147136203	1317000035	0147136303	1317000313
0147136303	1317000035	0147136403	1317000270	0147136503	1317000270
0147139803	1317000273	0147140003	1317000269	0147140003	1317000261
0147140103	1317000269	0147140103	1317000261	0147140203	1317000035
0147140303	1317000270	0147140403	1317000261	0147147403	1317000313
0147147603	1317000183	0147147603	1317000315	0147147603	1317000269
0147196276	1317000182	0160099611	1317000482	0160099611	1317000272
0160099611	1317000553	0160099697	1317000037	0211117003	1317000036
0211121303	1317000481	0211125403	1317000036	0211132503	1317000274
0211140800	1317000270	0211196407	1317000270	0211196417	1317000270
0211196482	1317000270	0211585513	1317000270	0215000373	1317000313
0216132403	1317000322	0216132403	1317000262	0226991527	1317000262
0226991527	1317000322	0263321500	1317000190	0266210700	1317000481
0266210800	1317000187	0266211000	1317000272	0266211000	1317000182
0266211000	1317000274	0268320500	1317000035	0291110700	1317000322
0291110700	1317000315	0291110700	1317000262	0291111000	1316020147
0291111000	1317000262	0291111000	1317000273	0291111000	1317000322
0292130500	1317000261	0292130500	1317000315	0292130500	1317000182
0300027621	1317000322	0300027621	1317000262	0300027623	1317000035
0300027666	1317000273	0300027666	1317000272	0300027666	1317000182
0300801900	1317000322	0300801900	1317000274	0300801900	1317000262
0300801900	1317000035	0300801900	1317000481	0301231500	1317000036
0301231800	1317000291	0301231800	1317000315	0301232100	1317000315
0301232100	1317000182	0301232100	1317000261	0301232100	1317000272
0301232100	1317000322	0301232100	1317000313	0301232100	1317000262
0301232100	1317000036	0301232100	1317000481	0301232700	1317000182
0301233500	1317000269	0301233500	1317000313	0301233500	1317000035
0301233500	1317000315	0301233500	1317000271	0301233500	1317000261
0301233500	1317000274	0301233500	1317000262	0301233500	1317000036
0301233500	1317000273	0301233500	1316020147	0301233500	1317000322
0301233500	1317000182	0301234400	1317000035	0301234400	1317000273

Part no	Part no	Part no	Part no	Part no	Part no
0301234400	1317000270	0301234400	1317000313	0301234400	1317000036
0301235800	1317000270	0301235800	1317000261	0301235800	1317000269
0301237800	1317000315	0301237800	1317000313	0301237800	1317000183
0333212100	1317000187	0333217422	1317000035	0333222500	1317000035
0333223000	1317000035	0333223600	1317000035	0335216900	1317000270
0337715200	1317000270	0337719800	1317000270	0347610019	1317000274
0347610019	1317000271	0347610021	1317000271	0347610400	1317000273
0347610900	1317000274	0347611900	1317000271	0347612100	1317000271
0348010107	1317000274	0348010107	1317000315	0348010107	1317000481
0348010212	1317000274	0348010212	1317000272	0348010212	1317000261
0348010212	1317000273	0348010212	1317000191	0348010212	1317000190
0348010212	1317000182	0348010212	1317000192	0348010212	1317000193
0502109021	1317000270	0504020013	1317000270	0504020013	Compressorparts
0570501085	1317000481	0571002072	1317000481	0571003541	1317000182
0581000035	1317000182	0581000035	1317000036	0581000038	1317000036
0581000052	1317000036	0581120023	1317000182	0581120029	1317000036
0605881600	1317000272	0653106200	1317000182	0653106200	1316130590
0653107000	1317000036	0653111500	1317000270	0653116500	1317000182
0653116500	1317000050	0653118900	1317000182	0661100029	1317000313
0661100038	1317000182	0661100039	1317000481	0661106200	1317000182
0663210322	1317000270	0663210616	1317000270	0663210784	1317000270
0663311700	1317000270	0663312900	1317000035	0663611100	1316020147
0663711500	1316020147	0663712700	1317000313	0663713200	1317000313
0663713400	1317000313	0663713400	1317000035	0663713500	1317000035
0663713800	1317000270	0663714100	1317000270	0663715000	1317000036
0686371601	1317000182	0686371601	1317000036	0686423018	1317000270
0803501210	1317000182	1079990200	1310825081	1079990361	1317000295
1088001902	1317000035	1088001902	1317000272	1089030412	1317000481
1089057470	Compressorparts	1089057470	1317000272	1089942910	1317000272
1089943003	1317000272	1089951504	1317000036	1089951504	Compressorparts
1089959309	1317000291	1202867300	1317000187	1310030011	1317000315
1310030059	1310050121	1310030081	1317000036	1310030103	1317000274
1310030273	1310075048	1310030275	1310075048	1310030283	1310075048
1310030396	1317000315	1310030433	1317000036	1310030461	1317000036
1310030507	1317000481	1310030589	1310312501	1310030978	1317000191
1310030978	1317000190	1310030978	1317000192	1310030978	1317000193
1310030979	1317000481	1310031166	1317000272	1310031197	1317000481
1310031197	1317000274	1310031197	1317000273	1310031312	1317000481
1310031324	1310075048	1310031325	1317000481	1310031452	1317000315
1310032151	1317000182	1310032384	1317000274	1310032384	1317000273
1310032384	1317000261	1310032384	1317000260	1310032580	1317000035
1310032778	1317000262	1310032778	1317000322	1310032787	1317000187
1310032787	1316176150	1310032787	1316115960	1310032964	1310312358
1310033046	1317000315	1310033194	1317000315	1310034093	1310169201
1310034107	1310169201	1310034108	1310169201	1310034149	1317000191
1310034149	1317000193	1310034208	1317000315	1310034211	1310312359
1310034289	1317000272	1310034389	1310825081	1310034441	1317000190
1310034441	1317000192	1310034579	1317000036	1310034983	1317000553
1310035202	1317000182	1310035372	1317000295	1310035495	1310075048
1310035495	1310825081	1310035525	1317000274	1310035556	1317000274
1310035561	1317000261	1310035574	1317000272	1310035608	1317000182
1310035695	1310075048	1310036049	1317000481	1310036051	1317000481
1310036364	1317000273	1310036364	1317000273	1310036364	1317000481
1310036557	1317000272	1310036557	1317000274	1310036557	1317000315
1310036710	1317000481	1310036971	1317000482	1310050304	1317000182
1310050554	1317000261	1310070102	1317000295	1310070141	1317000295
1310070617	1317000273	1310070800	1317000295	1310072216	1310312005
1310072256	1317000036	1310072311	1317000258	1310072311	1317000274
1310072311	1317000480	1310072342	1317000261	1310072345	1317000261
1310072437	1317000271	1310072869	1317000261	1310072952	1317000182
1310073196	1317000274	1310073201	1317000261	1310073837	1317000193
1310073837	1317000191	1310073837	1317000192	1310073837	1317000190

Part no	Part no	Part no	Part no	Part no	Part no
1310073837	1317000182	1310074084	1317000182	1310074140	1317000037
1310074142	1317000037	1310074170	1317000322	1310074171	1317000322
1310074176	1317000262	1310074176	1317000322	1310074332	1317000322
1310074428	1317000272	1310074434	1310825081	1310074443	1310169201
1310074446	1310169201	1310074447	1310169201	1310074448	1310169201
1310074449	1310169201	1310074450	1310169201	1310074452	1310169201
1310074453	1310169201	1310074455	1310169201	1310074456	1310169201
1310074457	1310169201	1310074458	1310169201	1310074459	1310169201
1310074470	1317000192	1310074470	1317000191	1310074470	1317000190
1310074470	1317000193	1310074473	1310169201	1310074474	1310169201
1310074475	1310169201	1310074637	1317000274	1310074645	Engineparts
1310074645	1317000273	1310074816	1316115980	1310074837	1317000261
1310074881	1317000035	1310074977	1316115980	1310074977	1316176180
1310075029	1310322352	1310075047	1310075048	1310075049	1317000262
1310075049	1317000322	1310075051	1317000262	1310075051	1317000322
1310075322	1317000295	1310075355	1310075048	1310075360	1317000481
1310075382	1317000258	1310075382	1317000480	1310075623	1317000274
1310075624	1317000480	1310075624	1317000258	1310075626	1317000480
1310075626	1317000274	1310075626	1317000258	1310075638	1317000182
1310075725	1317000482	1310075807	1317000269	1310075808	1317000269
1310075988	1317000182	1310076118	1317000035	1310076187	1317000182
1310076275	1317000272	1310076310	1317000481	1310076559	1317000553
1310080865	1317000322	1310084100	1317000182	1310118100	1317000262
1310118100	1317000322	1310118200	1317000262	1310118200	1317000322
1310118300	1317000262	1310118300	1317000322	1310118400	1317000322
1310118400	1317000262	1310127300	1317000182	1310127900	1317000262
1310127900	1317000322	1310128000	1317000322	1310128000	1317000262
1310128100	1317000322	1310128100	1317000262	1310128400	1317000322
1310128410	1317000262	1310128510	1317000322	1310166700	1317000271
1310169201	1317000315	1310169430	1310169201	1310169431	1310169201
1310171410	1317000261	1310175631	1317000273	1310175634	1310190185
1310175636	1310190185	1310175637	1317000273	1310190100	1310190185
1310190185	1317000273	1310192250	1317000272	1310198902	1317000313
1310203001	1317000274	1310203011	1317000274	1310203021	1317000274
1310219401	1317000291	1310219701	1317000272	1310221100	1317000037
1310224200	1317000182	1310251175	1317000313	1310253601	1317000272
1310255932	1317000481	1310266363	1310074637	1310266364	1310074637
1310266365	1310074637	1310266366	1310074637	1310266489	1317000294
1310266492	1310075048	1310266507	1317000182	1310266508	1317000182
1310266600	1317000481	1310266633	1317000481	1310266710	1317000481
1310414200	1317000482	1310414300	1317000482	1310415500	1317000482
1310416600	1317000482	1310462900	1317000270	1310469402	1317000187
1310600132	1317000480	1310600137	1317000480	1310600218	1317000315
1310600337	1317000299	1310600338	1317000295	1310600436	1317000295
1310600541	1317000295	1310600560	1317000037	1310600562	1317000037
1310600563	1317000272	1310669800	1317000271	1310669900	1317000271
1310677100	1317000182	1310689511	1317000273	1310689711	1317000273
1310697050	1317000035	1310796196	1317000479	1310801700	1317000182
1310822011	1317000313	1310825081	1317000315	1310847732	1310169201
1310847733	1310169201	1310855530	1317000322	1310855630	1317000322
1310888700	1317000322	1310923752	1317000182	1310924378	Engineparts
1310924378	1317000273	1310963801	1310963881	1310963850	1310963881
1310963881	1317000182	1316010001	1317000182	1316010006	1317000182
1316010074	1317000182	1316010079	1317000553	1316010092	1317000481
1316010101	1317000182	1316010122	1317000262	1316010122	1317000322
1316010127	1317000273	1316010130	1317000273	1316010150	1317000037
1316010183	1317000183	1316010219	Compressorparts	1316010219	1317000036
1316010222	1317000036	1316010232	1317000050	1316010262	1317000182
1316010275	1317000184	1316010300	1317000182	1316010307	1317000182
1316012500	1317000260	1316012520	1316012500	1316012521	1316012500
1316012522	1316012500	1316012523	1316012500	1316012524	1316012500
1316012525	1316012500	1316012526	1316012500	1316012527	1316012500

Part no	Part no	Part no	Part no	Part no	Part no
1316012528	1316012500	1316012529	1316012500	1316012530	1316012500
1316013300	1317000272	1316020112	1317000260	1316020114	1317000260
1316020125	1317000262	1316020126	1317000262	1316020127	1317000262
1316020149	1317000295	1316020208	1310075048	1316020208	1317000295
1316020214	1317000295	1316020270	1317000299	1316020311	1316010372
1316020311	1317000790	1316020312	1317000790	1316020312	1316010372
1316020313	1316010372	1316020313	1317000790	1316020315	1316010372
1316020315	1317000790	1316020316	1317000790	1316020316	1316010372
1316020317	1316010372	1316020317	1317000790	1316020318	1316010372
1316020318	1317000790	1316020319	1317000790	1316020319	1316010372
1316020320	1317000790	1316020320	1316010372	1316020322	1317000790
1316020322	1316010372	1316020324	1317000790	1316020324	1316010372
1316020325	1317000790	1316020325	1316010372	1316020326	1317000790
1316020326	1316010372	1316020327	1317000790	1316020327	1316010372
1316020329	1316010372	1316020329	1317000790	1316020330	1317000790
1316020330	1316010372	1316020331	1316010372	1316020331	1317000790
1316020332	1317000790	1316020332	1316010372	1316020333	1316010372
1316020333	1317000790	1316020334	1317000790	1316020334	1316010372
1316020339	1317000790	1316020339	1316010372	1316020344	1316010372
1316020344	1317000790	1316020346	1317000790	1316020346	1316010372
1316020347	1316010372	1316020347	1317000790	1316020348	1316010372
1316020348	1317000790	1316020372	1317000790	1316020372	1316010372
1316020373	1317000790	1316020373	1316010372	1316020796	1317000295
1316021019	1317000299	1316021285	1317000272	1316021286	1317000272
1316021287	1317000272	1316021600	1317000261	1316112305	1317000269
1316113001	1317000182	1316113101	1317000182	1316113701	1317000035
1316113800	1317000035	1316113981	1317000322	1316113990	1316113981
1316114090	1316113981	1316114190	1316113981	1316114290	1316113981
1316114390	1316113981	1316114481	1317000322	1316114490	1316114481
1316114600	1317000322	1316114610	1317000262	1316115200	1317000322
1316115200	1317000262	1316115300	1317000262	1316115300	1317000322
1316115401	1317000182	1316115500	1317000322	1316115600	1317000322
1316115700	1317000322	1316115800	1316115770	1316115900	1316115960
1316115950	1316115980	1316115960	1316115980	1316115980	1317000322
1316116000	1317000262	1316116000	1317000322	1316116100	1317000182
1316116220	1317000315	1316116300	1317000182	1316117152	1317000274
1316117153	1317000274	1316130580	1316130590	1316130600	1316130590
1316138701	1316138781	1316138782	1317000274	1316138800	1317000313
1316139000	1317000322	1316139000	1317000262	1316139100	1317000261
1316139400	1317000274	1316139400	Engineparts	1316139501	1317000274
1316139541	1316139501	1316139550	1316139501	1316139600	1317000269
1316139705	1317000274	1316139800	1317000274	1316139850	1317000274
1316140000	1317000182	1316140305	1317000274	1316142800	1317000182
1316142901	1317000182	1316143000	1317000182	1316148000	1317000261
1316149500	1317000271	1316156700	1317000182	1316157000	1317000183
1316157600	1317000192	1316157600	1317000193	1316157600	1317000191
1316157600	1317000190	1316157700	1317000191	1316157700	1317000190
1316157800	1317000192	1316157800	1317000193	1316157800	1317000191
1316157800	1317000190	1316157900	1317000192	1316157900	1317000193
1316158000	1316138781	1316158001	1316138781	1316158100	1316138781
1316158101	1316138781	1316162105	1316162100	1316162110	1316162100
1316169900	1317000269	1316169911	1317000269	1316170001	1317000270
1316173700	1317000271	1316173800	1317000271	1316174100	1317000271
1316174200	1317000272	1316174301	1317000272	1316174400	1317000274
1316174503	1317000274	1316174600	1317000274	1316174604	1317000274
1316174605	1317000274	1316174605	1317000272	1316174700	1317000274
1316174900	1317000274	1316175002	1317000258	1316175100	1317000291
1316175301	1317000261	1316175502	1317000261	1316175510	1317000261
1316175600	1317000261	1316175701	1317000261	1316175900	1316175980
1316176000	1316176080	1316176005	1316176080	1316176010	1316176080
1316176015	1316176080	1316176020	1316176080	1316176100	1316176150
1316176105	1316176150	1316176110	1316176180	1316176150	1316176180

Part no	Part no	Part no	Part no	Part no	Part no
1316176160	1316176180	1316176180	1317000262	1316176200	1317000262
1316176300	1317000262	1316176400	1317000262	1316176510	1316176500
1316176520	1316176500	1316176600	1317000313	1316176700	1317000313
1316176800	1317000261	1316176810	1317000261	1316176900	1317000261
1316176910	1317000261	1316176920	1317000261	1316176980	1317000261
1316177400	1317000273	1316183401	1317000270	1316183600	1317000261
1316183800	1317000270	1316184001	1317000272	1316184010	1317000272
1316199200	1317000182	1316199300	1317000274	1316202500	1317000480
1316202510	1317000480	1316204505	1317000299	1316205600	Maintenancekit
1316205605	Maintenancekit	1316206100	1317000184	1316206800	1317000193
1316206800	1317000187	1316206800	1317000191	1316206900	1317000193
1316206900	1317000192	1316206900	1317000187	1316206900	1317000190
1316206900	1317000191	1316208200	1317000274	1316208300	1317000192
1316208300	1317000193	1316209300	1317000274	1316214600	1317000315
1316215100	1317000553	1316217400	1317000274	1316221410	1317000272
1316225300	1317000271	1316250400	1317000035	1316257400	1317000262
1316257410	1317000262	1316269300	1317000295	1316276200	1317000035
1316285290	1317000313	1316294490	1317000035	1317005076	1317000299
1604027201	1317000270	1604029101	1317000270	1604029200	1317000270
1604030801	1316020147	1604030901	1316020147	1604040681	1317000035
1604611102	1317000481	1604668600	1317000187	1604694505	1317000270
1607852288	1317000036	1607852288	Compressorparts	1607852288	1317000272
1607852293	Compressorparts	1607852293	1317000036	1613726200	1316020147
1614611800	1317000313	1615508000	1317000050	1615566400	1317000272
1615566400	1317000190	1615566400	1317000322	1615566400	1317000315
1615566400	1317000261	1615566400	1317000191	1615566400	1317000553
1615566400	1317000182	1615566400	1317000192	1615566400	1317000274
1615566400	1316138781	1615566400	1317000187	1615566400	1317000291
1615566400	1317000262	1615566400	1317000193	1615566400	1317000271
1615682500	1317000270	1615721400	1317000261	1615860500	1317000322
1615860500	1317000262	1615861902	1317000182	1615862000	1317000182
1615943800	1317000271	1616510800	1316130590	1616510800	Compressorparts
1616562500	1317000270	1616562580	Compressorparts	1619266500	1317000322
1619266500	1317000262	1619276600	1317000481	1619276600	1317000273
1619276600	1317000261	1619276600	1316176180	1619276600	1317000262
1619276600	1316115980	1619276600	1317000272	1619276600	1317000274
1619276600	1317000322	1619276600	1317000313	1619276600	1317000182
1619520500	1316130590	1622706405	1317000313	1622706405	Compressorparts
1622870400	1317000270	1626225501	Maintenancekit	1626225501	Maintenancekit
1626225501	COOLANT	1626225601	Maintenancekit	1626225601	Maintenancekit
1626225601	COOLANT	1626225800	Maintenancekit	1626225900	Maintenancekit
1626228701	1317000270	1626230700	1317000270	1626555280	1317000182
1626566191	1310322357	1626617100	1317000262	1626617100	1317000322
1626850007	1317000037	1626850007	Compressorparts	1626857391	1317000193
1626857391	1317000191	1626857391	1317000192	1626857391	1317000190
1626857391	1317000035	1630013411	Maintenancekit	1630013416	Maintenancekit
1630017500	COMPRESSOROIL	1630017500	Maintenancekit	1630017500	Maintenancekit
1630024900	COMPRESSOROIL	1630024900	Maintenancekit	1630024900	Maintenancekit
1630147500	1317000313	1630147502	1317000313	1630147503	1317000313
1638000000	1317000036	1638180500	1317000270	1638184300	1317000035
1638201401	1317000036	1638201401	Compressorparts	1638201600	1317000036
1638201700	1317000036	1638632800	1317000036	1638647300	1316130590
1638648900	1317000313	1638661200	1317000182	1638666810	1317000037
1638795000	1317000050	1638795100	1317000182	1638839380	1317000036
1638886200	1317000291	1638911500	1638886200	2205176611	1317000271
2253806300	1317000313	2901207208	1317000182	2914000002	Maintenancekit
2914000002	Maintenancekit	2914000002	COMPRESSOROIL	3161038800	1317000270
3176651900	1317000313	3176653900	1317000193	3176653900	1317000190
3176653900	1317000192	3176653900	1317000191	3315019510	1317000269
3715634400	1317000481	4810060600	Engineparts	4810060602	Engineparts
4810060624	Engineparts	4810060648	Engineparts	4810060659	Engineparts
4810060660	Engineparts	4810060662	Engineparts	4810060664	Engineparts

Part no	Part no	Part no	Part no	Part no	Part no
4810060669	Engineparts	4810060670	Engineparts	4810063599	Engineparts
4810068935	Engineparts	4810072492	Engineparts	4810072641	Engineparts
4810072643	Engineparts	4810072648	Engineparts	4810072650	Engineparts
4810072651	Engineparts	4810072652	Engineparts	4810072653	Engineparts
4810072654	Engineparts	4810072655	Engineparts	4810072660	Engineparts
4810072666	Engineparts	4810072670	Engineparts	4810072671	Engineparts
4810072674	Engineparts	5530768100	1317000273	8915002180	1317000481
8915002180	1310075048	9747601200	1310075048	9747601300	1310825081
9747601400	1310075048				

Go to Discount-Equipment.com to order your parts



www.discount-equipment.com

PARTS FINDER

**Search Website
by Part Number**



**Search Manual
Library For Parts
Manual & Lookup Part
Numbers – Purchase
or Request Quote**

Search Manuals

Enter your information to help us find the right parts manual for your machine.

* Brand:

* Model:

* Serial:

* Part Number:

SEARCH

**Can't Find Part or
Manual? Request Help
by Manufacturer,
Model & Description**

Parts Order Form

Please fill in the following information to help us find the right part for your machine.

Manufacturer:	<input type="text"/>
Model:	<input type="text"/>
Description:	<input type="text"/>
Part Number:	<input type="text"/>
Quantity:	<input type="text"/>
Notes:	<input type="text"/>

Submit

Discount-Equipment.com is your online resource for quality parts & equipment.

Florida: **561-964-4949** Outside Florida TOLL FREE: **877-690-3101**

Need parts?

Click on this link: <http://www.discount-equipment.com/category/5443-parts/> and choose one of the options to help get the right parts and equipment you are looking for. Please have the machine model and serial number available in order to help us get you the correct parts. If you don't find the part on the website or on one of the online manuals, please fill out the request form and one of our experienced staff members will get back to you with a quote for the right part that your machine needs.

We sell worldwide for the brands: Genie, Terex, JLG, MultiQuip, Mikasa, Essick, Whiteman, Mayco, Toro Stone, Diamond Products, Generac Magnum, Airman, Haulotte, Barreto, Power Blanket, Nifty Lift, Atlas Copco, Chicago Pneumatic, Allmand, Miller Curber, Skyjack, Lull, Skytrak, Tsurumi, Husquvarna Target, Stow, Wacker, Sakai, Mi-T-M, Sullair, Basic, Dynapac, MBW, Weber, Bartell, Bennar Newman, Haulotte, Ditch Runner, Menegotti, Morrison, Contec, Buddy, Crown, Edco, Wyco, Bomag, Laymor, EZ Trench, Bil-Jax, F.S. Curtis, Gehl Pavers, Heli, Honda, ICS/PowerGrit, IHI, Partner, Imer, Clipper, MMD, Koshin, Rice, CH&E, General Equipment, Amida, Coleman, NAC, Gradall, Square Shooter, Kent, Stanley, Tamco, Toku, Hatz, Kohler, Robin, Wisconsin, Northrock, Oztec, Toker TK, Rol-Air, APT, Wylie, Ingersoll Rand / Doosan, Innovatech, Con X, Ammann, Mecalac, Makinex, Smith Surface Prep, Small Line, Wanco, Yanmar