



Go to Discount-Equipment.com to order your parts



[www.discount-equipment.com](http://www.discount-equipment.com)

---

Filter	2950899500,APP 869187 -
Specifications	ASL Number: 2950899500, Product number: 8162010134, Division: Portable Air, Product gr
Identity	2950899500

# PARTS FINDER

**Search Website  
by Part Number**



**Search Manual  
Library For Parts  
Manual & Lookup Part  
Numbers – Purchase  
or Request Quote**

**Search Manuals**

Enter your information to help us find the right parts manual for your machine.

\* Brand:

\* Model:

\* Serial:

\* Part Number:

SEARCH

**Can't Find Part or  
Manual? Request Help  
by Manufacturer,  
Model & Description**

**Parts Order Form**

Please fill in the following information to help us find the right part for your machine.

Manufacturer:	<input type="text"/>
Model:	<input type="text"/>
Description:	<input type="text"/>
Part Number:	<input type="text"/>
Quantity:	<input type="text"/>
Notes:	<input type="text"/>
Submit	<input type="button" value="Submit"/>

Discount-Equipment.com is your online resource for quality parts & equipment.

Florida: **561-964-4949** Outside Florida TOLL FREE: **877-690-3101**

**Need parts?**

Click on this link: <http://www.discount-equipment.com/category/5443-parts/> and choose one of the options to help get the right parts and equipment you are looking for. Please have the machine model and serial number available in order to help us get you the correct parts. If you don't find the part on the website or on one of the online manuals, please fill out the request form and one of our experienced staff members will get back to you with a quote for the right part that your machine needs.

We sell worldwide for the brands: Genie, Terex, JLG, MultiQuip, Mikasa, Essick, Whiteman, Mayco, Toro Stone, Diamond Products, Generac Magnum, Airman, Haulotte, Barreto, Power Blanket, Nifty Lift, Atlas Copco, Chicago Pneumatic, Allmand, Miller Curber, Skyjack, Lull, Skytrak, Tsurumi, Husquvarna Target, Stow, Wacker, Sakai, Mi-T-M, Sullair, Basic, Dynapac, MBW, Weber, Bartell, Bennar Newman, Haulotte, Ditch Runner, Menegotti, Morrison, Contec, Buddy, Crown, Edco, Wyco, Bomag, Laymor, EZ Trench, Bil-Jax, F.S. Curtis, Gehl Pavers, Heli, Honda, ICS/PowerGrit, IHI, Partner, Imer, Clipper, MMD, Koshin, Rice, CH&E, General Equipment, Amida, Coleman, NAC, Gradall, Square Shooter, Kent, Stanley, Tamco, Toku, Hatz, Kohler, Robin, Wisconsin, Northrock, Oztec, Toker TK, Rol-Air, APT, Wylie, Ingersoll Rand / Doosan, Innovatech, Con X, Ammann, Mecalac, Makinex, Smith Surface Prep, Small Line, Wanco, Yanmar

Kits and consumables	150899500_Kitsandconsumables
SERVICE KIT (500H)	2912472600
SERVICE KIT (1000H)	2912472700
COMPRESSOR OIL	Compressor_oil_Genoil
ENGINE OIL	Engine_oil_Genoil
COOLANT	Coolant_Gencool
SEPARATOR KIT	2911022500
UNLOADER VALVE KIT	2911016900
SERVICE KIT- ELEMENT MOUNTING	2911000047
SERVICE KIT - OIL STOP VALVE	2911014900
FRAME AND MOUNTS	1611702382
Frame assembly	1638936580
Compressor drive	1611705844
Air inlet	1611700944
AIR OUTLET	1611702413
OIL SYSTEM	1611702419
No inlet shutdown valve	1611701944
Regulating system	1611705644
Valves on element	1611702744
UNLOADER VALVE	1626215381
BODYWORK	1611702373
Gear set	1611703744
COUPLING S2LP CUD	1611700444
Country set	1611700439
Vessel	1638549083
Vessel	1638549183
AIR CLEANER	1615946402
Coldstart	1611705244
No cosmos	1611786741
AFTERCOOLER+PD	1611703644
DRAIN	1638092782
CANOPY	1638941180
PANEL	1638937980
Rear corner assy	1638937080
Panel	1638936980
Panel	1638937380
Roof assembly	1638938780
Door assembly	1638939380
NO UNDERCARRIAGE	1611703244
MARKINGS	1611702384
DEF TANK SERVICE PARTS	2913000247
ENGINE AND ACC. S2LP STAGE V	1611700344
Def pump service parts	2914900008
	2914900012
	2914900008
COOLING ENGINE S2LP CUD	1611700644
COOLER AND FAN ASSY S2LP CUD	1611700544
COWL	1638503681
Door	1638503781
Drain system	1611700844
Fuel system	1611700244
TANK FUEL	1638448880
ELECTR. SYSTEM S2LP CUD	1611701244

---

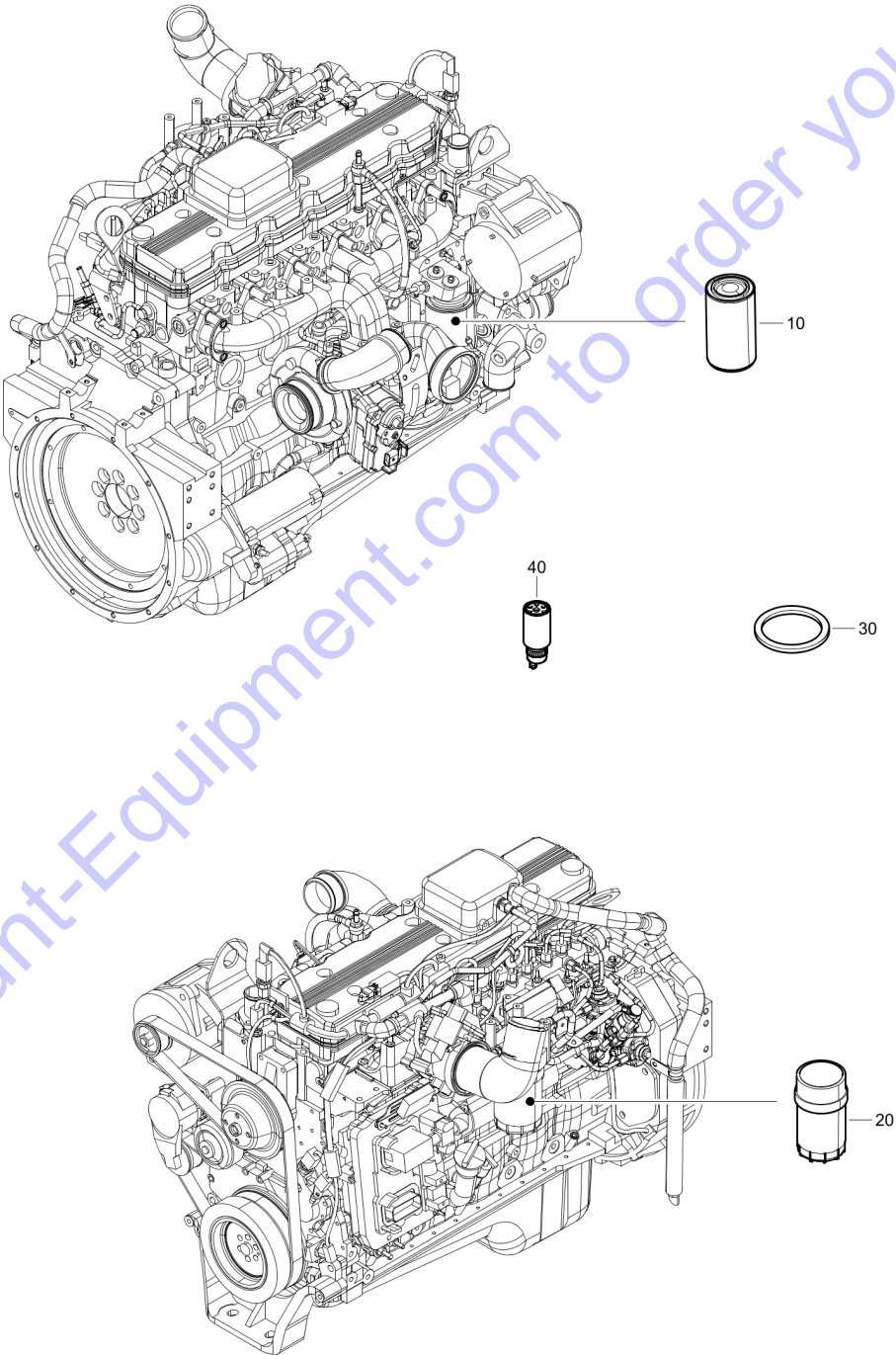
CONTROLLER  
Wire harness parts

1611702386  
2914900013

Go to [Discount-Equipment.com](http://Discount-Equipment.com) to order your parts

Kits and consumables	Item Number	Description	Change Interval / Quantity		
			500 hours	1000 hours	When Needed
<b>Maintenance Kit</b>	1	Service pack 500 hours	1	1	1
	2	Service pack 1000 hours			
	3	Service kit - Oil separator			
<b>Compressor Oil</b>	4	Can Genoil M 5 Liter/1.32 Gallon	56.5 Liter 14.9 Gallon	56.5 Liter 14.9 Gallon	No
<b>Use Genoil M</b>	5	Can Genoil M 20 Liter/5.3 Gallon			
<b>Use Genoil S</b>	6	Can Genoil S 20 Liter/5.3 Gallon			
<b>Use Genoil S Ultra</b>	7	Can Genoil S Ultra 20 Liter/5.3 Gallon			
<b>Engine Oil</b>	8	Can Genoil 15W40 5 Liter/1.32 Gallon	17.5 Liter 4.62 Gallon	17.5 Liter 4.62 Gallon	No
<b>Use Genoil 15W40</b>	9	Can Genoil 15W40 20 Liter/5.3 Gallon			
<b>Use Genoil 5W40</b>	10	Can Genoil 5W40 5 Liter/1.32 Gallon			
	11	Can Genoil 5W40 20 Liter/5.3 Gallon			
<b>Use Genoil Engine Green</b>	12	Can Genoil Engine Green 5 Liter/1.32 Gallon			
	13	Can Genoil Engine Green 20 Liter/5.3 Gallon			
<b>Coolant</b>	14	Can Gencool EG concentrate 5 Liter/1.32 Gallon	40 Liter 10.56 Gallon	40 Liter 10.56 Gallon	No
<b>Use Gencool EG</b>	15	Can Gencool EG 5 Liter/1.32 Gallon			
	16	Can Gencool EG 20 Liter/5.3 Gallon			
<b>Service and Repair Kits</b>	15	Service kit - Unloader valve			1
	16	Service kit - Element mounting			1
	17	Service kit - Oil stop valve			1

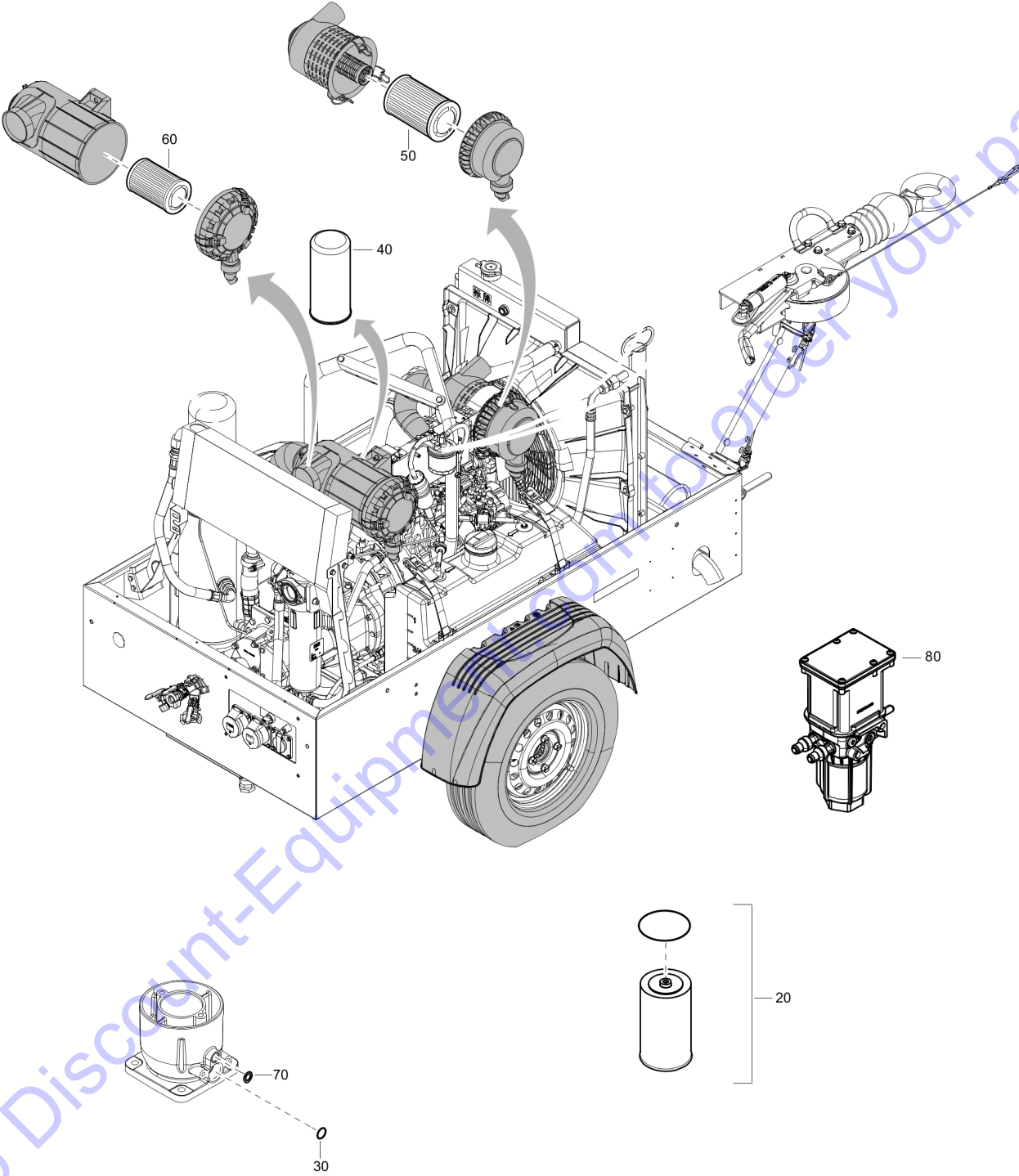
Id	Qty	Number	Name	Specifications
1	1	2912490700	SERVICE PACK 500HR	
2	1	2912490702		Version: 2
3	1	2911022500	SEPARATOR KIT	
4	12	1626226000	GENOIL M, COMPRESSOR OIL (5 L)	
5	3	1626226100	GENOIL M, COMPRESSOR OIL (20 L)	
6	3	1630017500	CAN GENOIL S 5 LITER/1.32 GALLON	
7	3	1630024900	GENOIL S ULTRA (20 L)	
8	4	1626226200	CAN GENOIL 15W40 5 LITER/1.32 GALLON	
9	1	1626226300	CAN GENOIL 15W40 20 LITER/5.3 GALLON	
10	4	1626225801	GENOIL ENGINE PLUS	
11	1	1626225901	CAN GENOIL 5W40 20 LITER/5.3 GALLON	
12	4	1638074000	GENOIL ENGINE	
13	1	1638075000	GENOIL ENGINE	
14	9	1626225701	GENCOOL EG CONCENTRATE CAN 5L	
15	9	1626225501	GENCOOL EG CAN 5L	
16	2	1626225601	GENCOOL EG CAN 20L	
17	1	2911016900	UNLOADER VALVE KIT	
18	1	2911000047		Version: 1
19	1	2911014900	OILSTOP VALVE KIT XAS746	



<b>Id</b>	<b>Qty</b>	<b>Number</b>	<b>Name</b>	<b>Specifications</b>
10	1	2914851400	FILTER OIL	
20	1	2913000036	FUEL FILTER ELEMENT	
30	1	0653112400	GASKET 21 X 26 X 1.5	
40	1	2914823600	FUEL PRE FILTER	

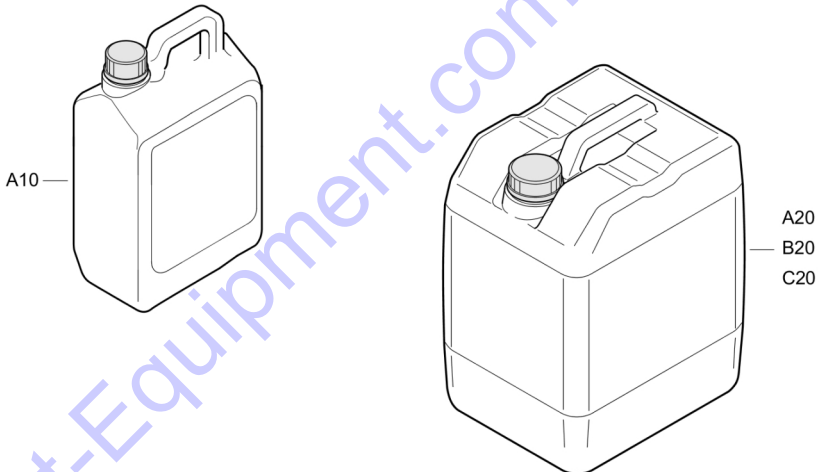
Go to Discount-Equipment.com to order your parts





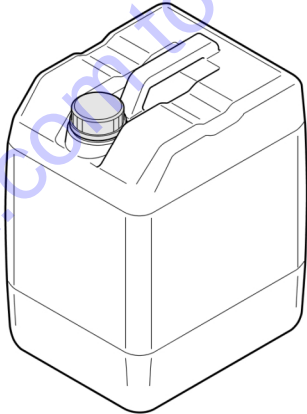
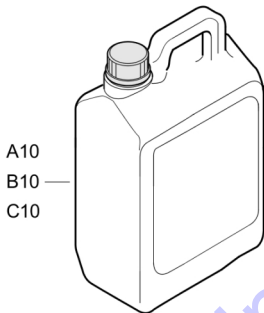
<b>Id</b>	<b>Qty</b>	<b>Number</b>	<b>Name</b>	<b>Specifications</b>
-		2912472600	SERVICE PACK 500 HOURS	
20	1	2911022500	SEPARATOR KIT	
30	1	0653112400	GASKET 21 X 26 X 1.5	
40	3	1316285290	FILTER:OIL-QUICK FIT PACKAGED	
50	1	6211475250	ELEMENT-FILTER:CPS 750	
60	1	6211475450	ELEMENT FILTER	
70	1	0661103300	SEAL WASHER	
80	1	2913000050	DEF FILTER	

Go to Discount-Equipment.com to order your parts



<b>Id</b>	<b>Qty</b>	<b>Number</b>	<b>Name</b>	<b>Specifications</b>
-			GENOIL M	
A10	1	1626226000	GENOIL M, COMPRESSOR OIL (5 L)	
A20	1	1626226100	GENOIL M, COMPRESSOR OIL (20 L)	
-			GENOIL S	
B20	1	1630017500	CAN GENOIL S 5 LITER/1.32 GALLON	
-			GENOIL S ULTRA	
C20	1	1630024900	GENOIL S ULTRA (20 L)	

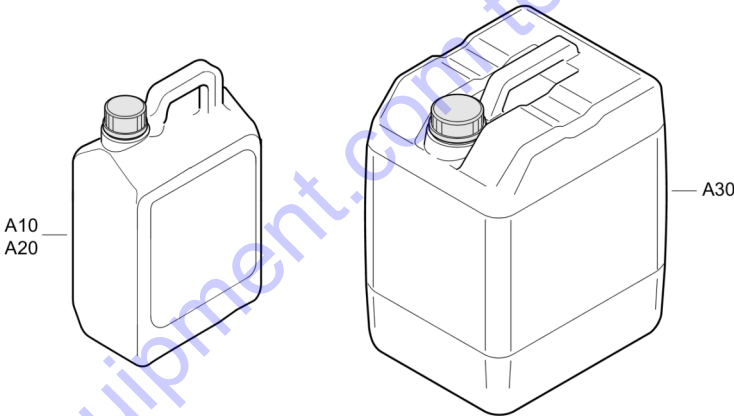
Go to Discount-Equipment.com to order your parts



Go to Discount-Equipment.com to order your parts

<b>Id</b>	<b>Qty</b>	<b>Number</b>	<b>Name</b>	<b>Specifications</b>
-			GENOIL PERFORMANCE	
A10	1	1626226200	CAN GENOIL 15W40 5 LITER/1.32 GALLON	
A20	1	1626226300	CAN GENOIL 15W40 20 LITER/5.3 GALLON	
-			GENOIL ENGINE PLUS	
B10	1	1626225801	GENOIL ENGINE PLUS	
B20	1	1626225901	CAN GENOIL 5W40 20 LITER/5.3 GALLON	
-			GENOIL ENGINE GREEN	
C10	1	1638074000	GENOIL ENGIN	
C20	1	1638075000	GENOIL ENGIN	

Go to Discount-Equipment.com to order your parts



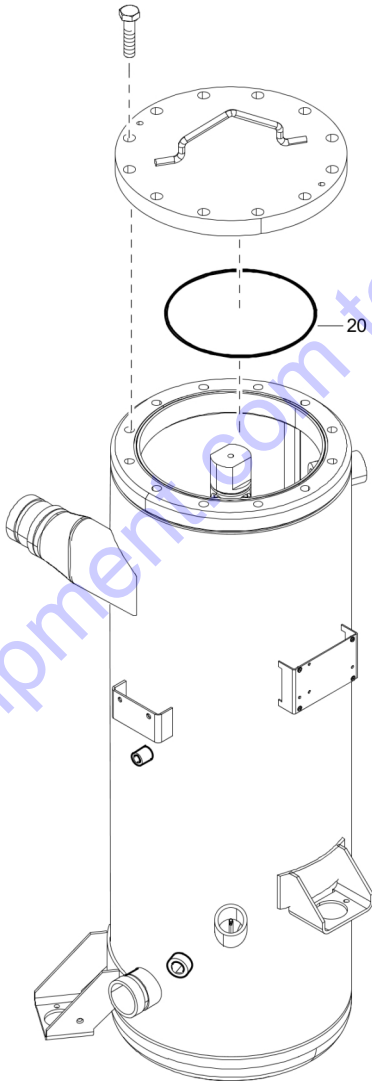
Go to Discount-Equipment.com to order your parts

Id	Qty	Number	Name	Specifications
A10	1	1626225701	GENCOOL EG CONCENTRATE CAN 5L	
A20	1	1626225501	GENCOOL EG CAN 5L	
A30	1	1626225601	GENCOOL EG CAN 20L	

Go to Discount-Equipment.com to order your parts



Not Illustrated			
Ref	Part Number	Designation	Qty
10	1638433900	SEPARATOR	1

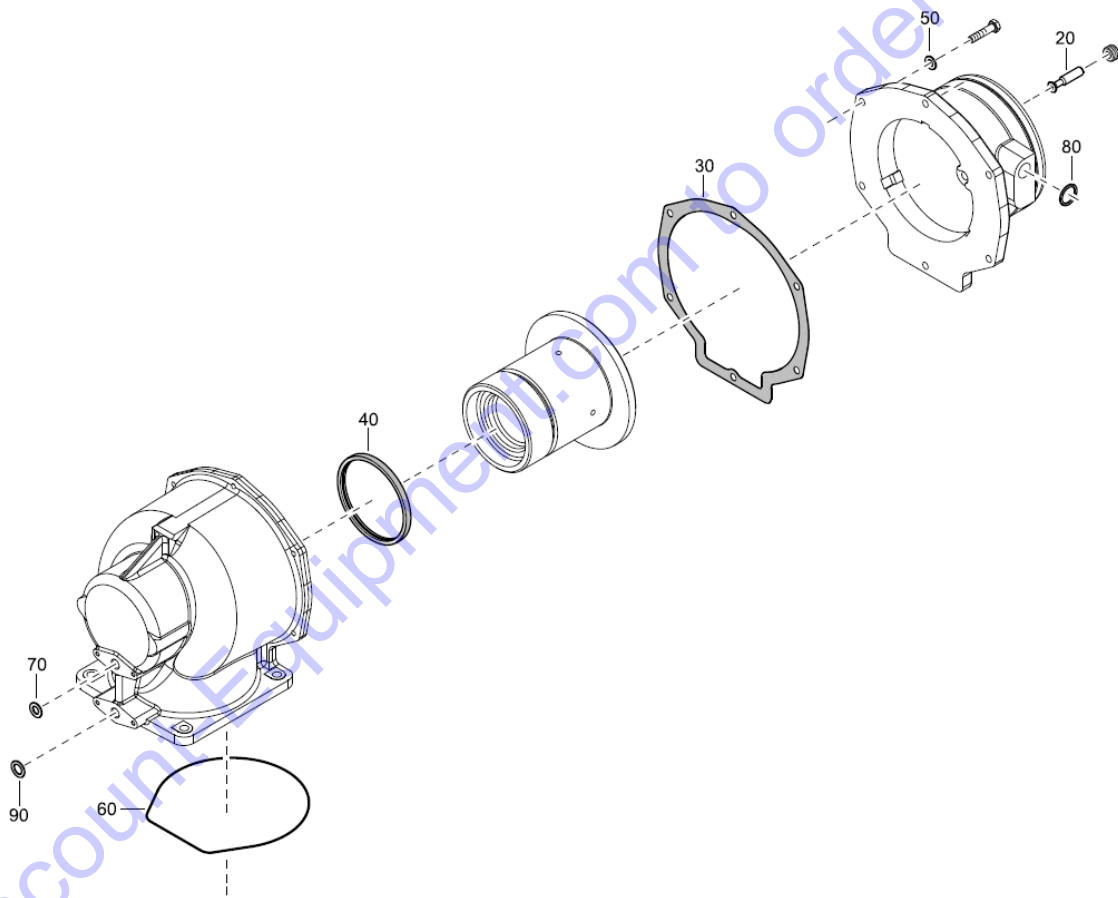


---

<b>Id</b>	<b>Qty</b>	<b>Number</b>	<b>Name</b>	<b>Specifications</b>
10	1	1638433900	SEPARATOR	
20	1	0663210979	O-RING	

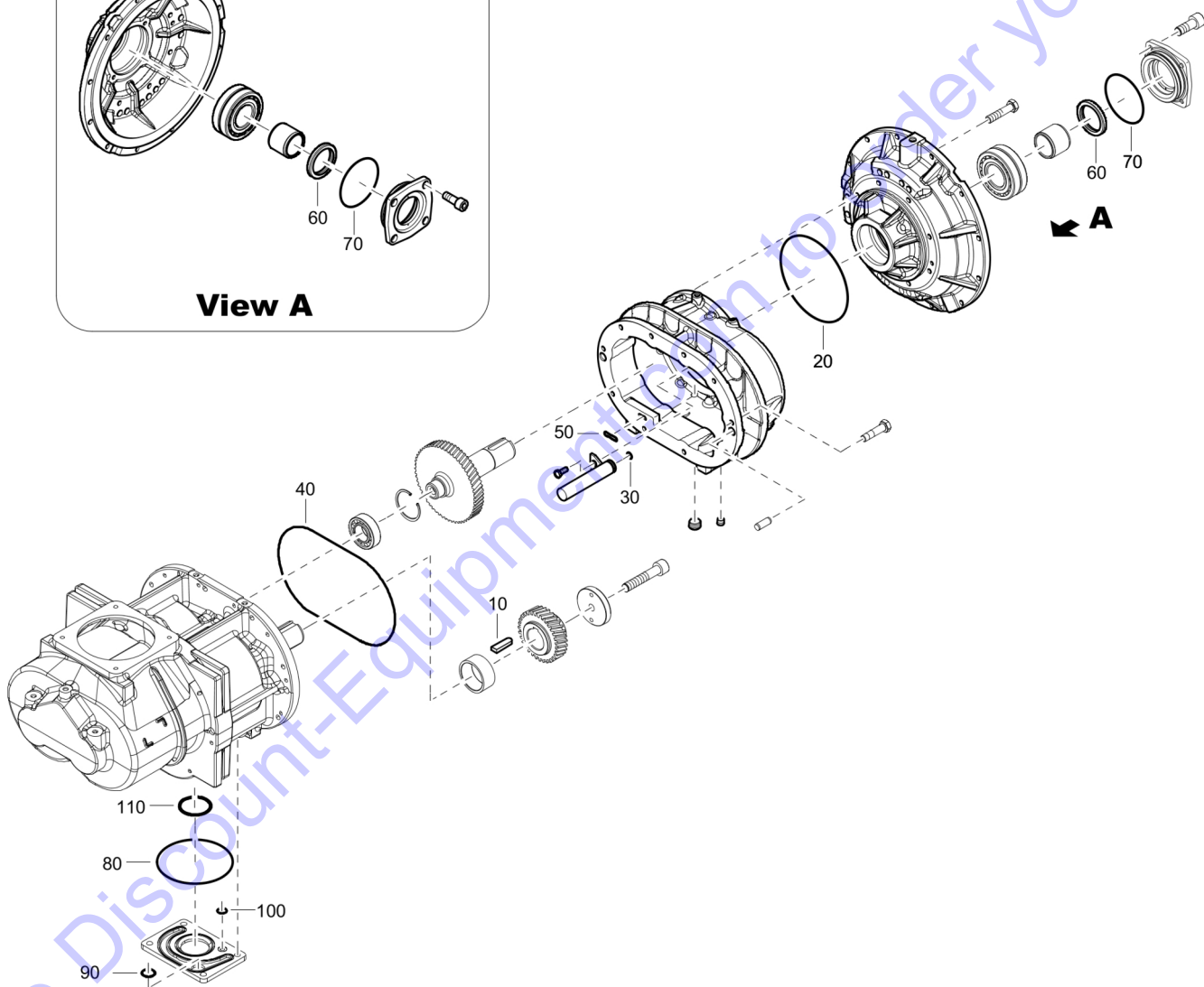
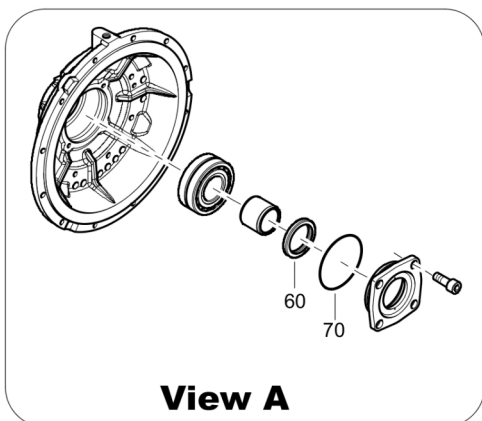
---

Go to Discount-Equipment.com to order your parts



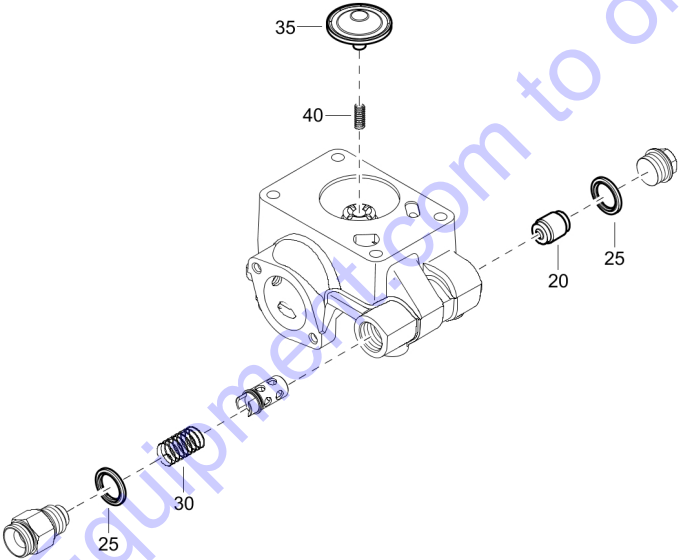
<b>Id</b>	<b>Qty</b>	<b>Number</b>	<b>Name</b>	<b>Specifications</b>
20	1		VALVE	
30	1		Gasket	
40	1		Seal	
50	6		Plain washer	
60	1		O-ring	
70	1		FLAT GASKET	
80	1		Gasket	
90	1		Gasket	

Go to Discount-Equipment.com to order your parts



Id	Qty	Number	Name	Specifications
10	1		PARALLEL KEY	
20	1		O-RING	
30	1		O-RING	
40	1		O-RING	
50	1		O-RING	
60	1		Lip seal	
70	1		O-RING	
80	1		O-RING	
90	1		O-RING	
100	1		O-RING	
110	1		O-RING	

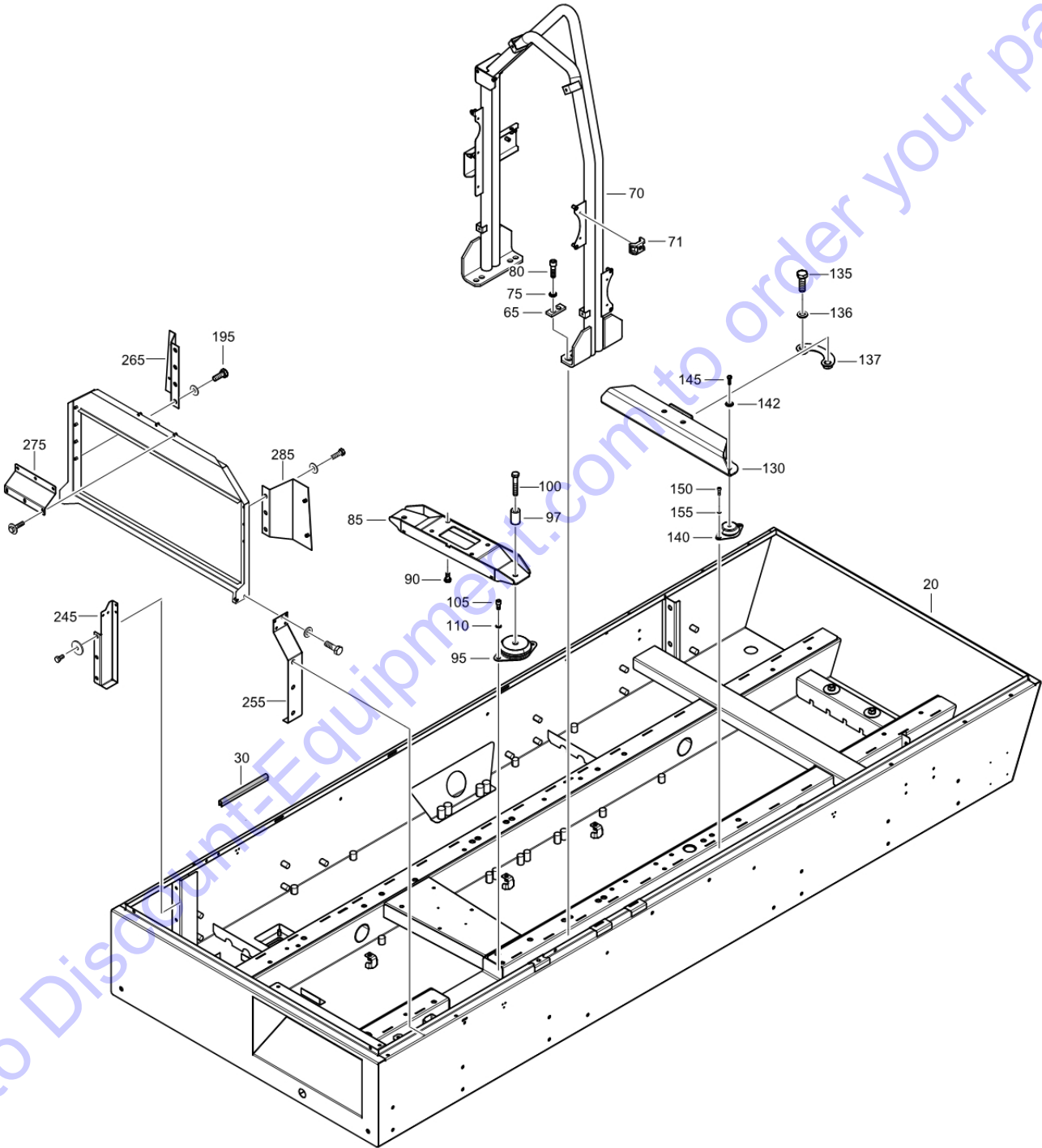
Go to Discount-Equipment.com to order your parts



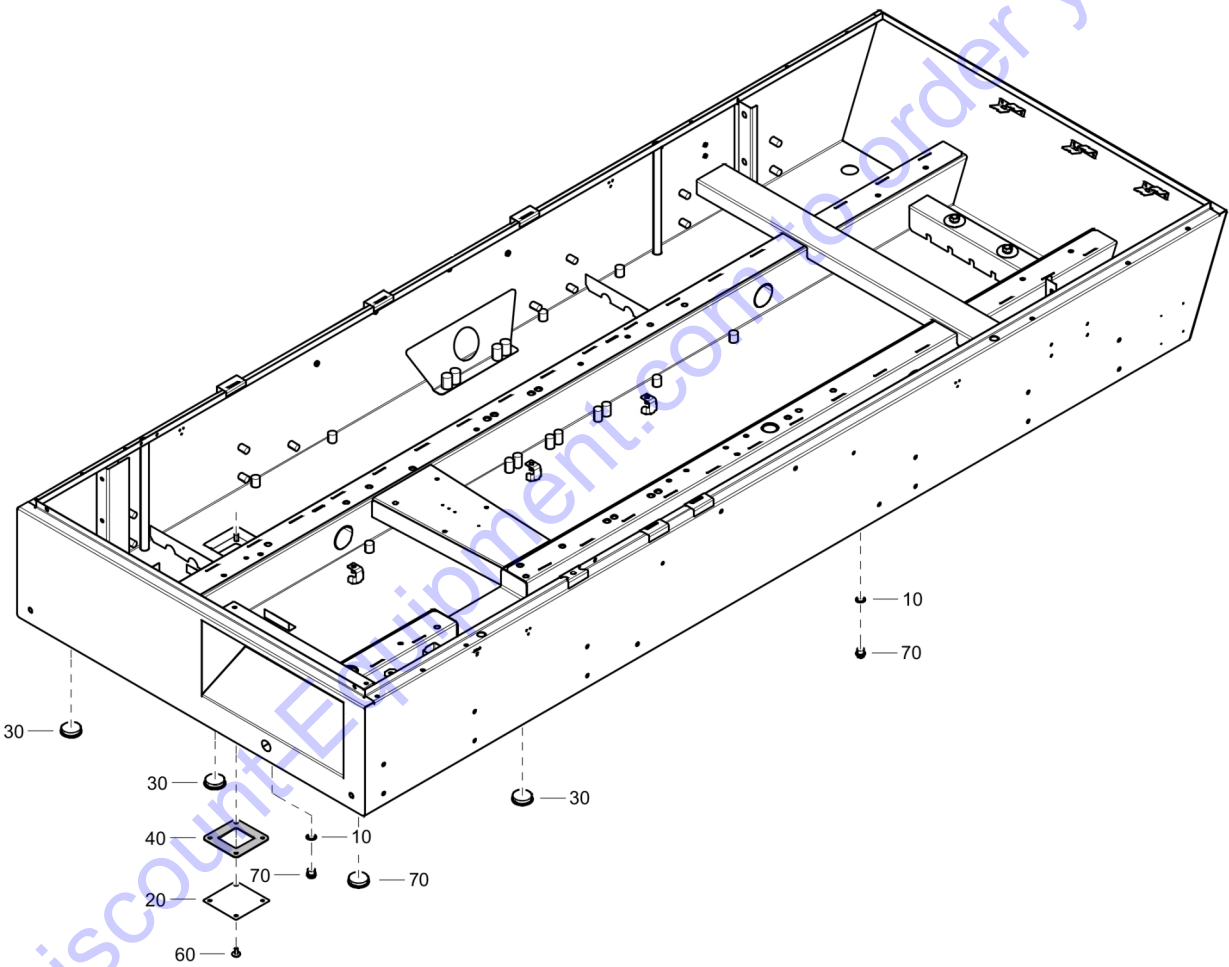
Id	Qty	Number	Name	Specifications
20	1		Piston osv	
25	2		Seal washer	
30	1		SPRING	
35	1		Valve check	
40	1		SPRING	

Go to Discount-Equipment.com to order your parts



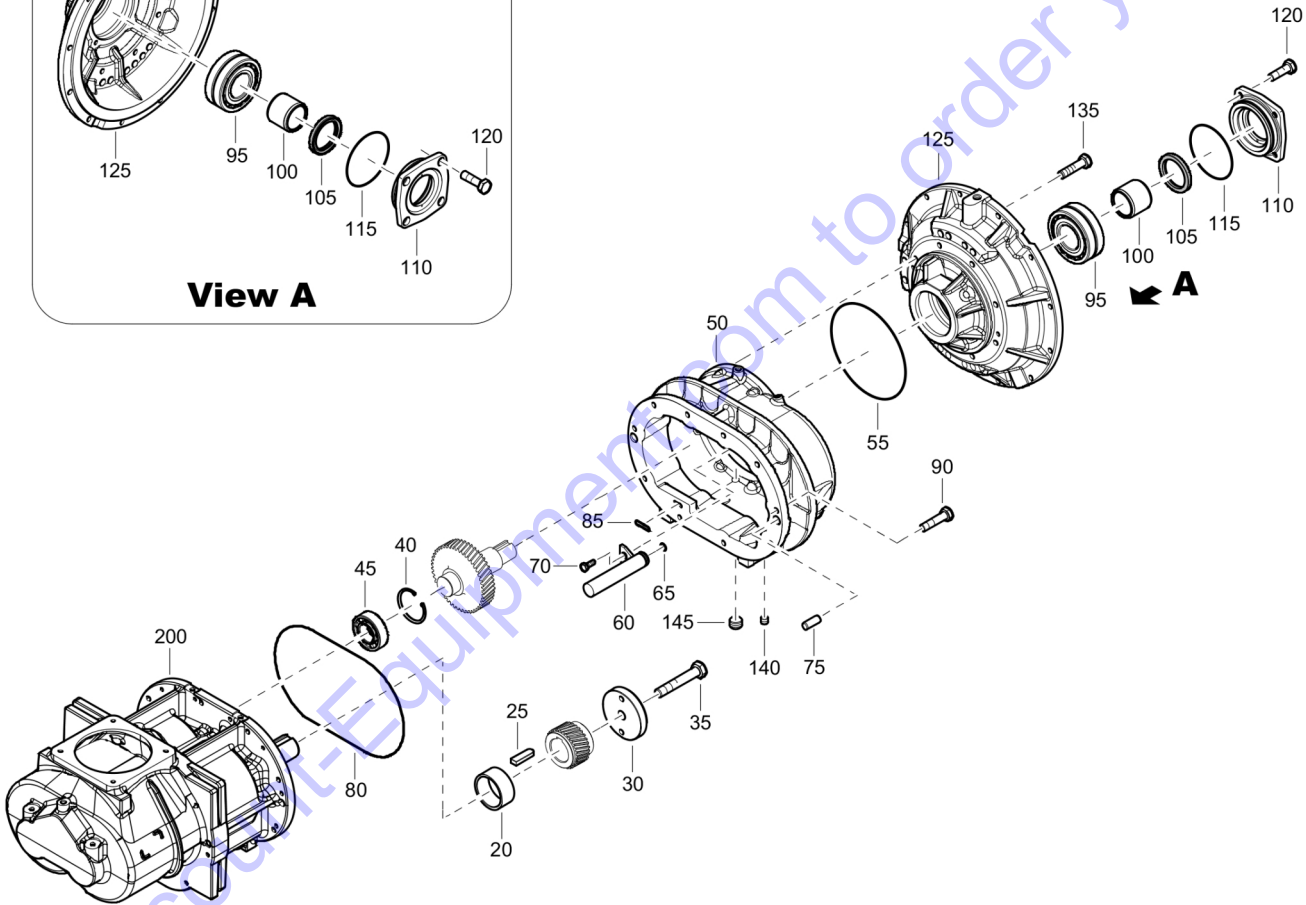
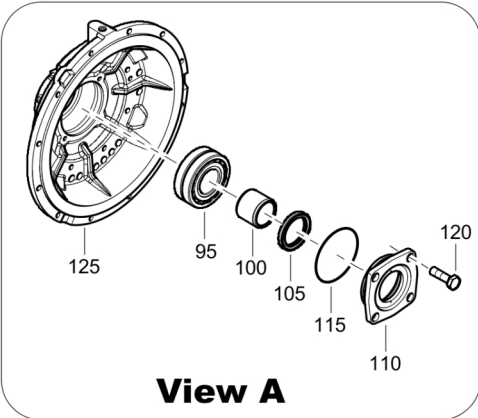


Id	Qty	Number	Name	Specifications
20	1	1638936580	FRAME	
30	1	1503105600	SEAL	
65	2	1638030300	PLATE	
70	1	1638446301	BEAM	
71	3	0348011003	PLATE ANCHOR	
75	8	3315019510	LOCK WASHER	
80	8	0211148003	SCREW	
85	1	1638409602	SUPPORT	
90	4	0147140115	HEX. HEAD SCREW	
95	2	1615550900	RUBBER BUFFER	
97	2	1626201101	BUSHING	
100	2	0147148903	HEX. HEAD SCREW	
105	4	0211140003	HEX. SOCK M12X25X8.8	
110	4	3315019508	LOCK WASHER	
130	1	1638409702	SUPPORT	
135	2	0147147903	HEX. BOLT M16X50X8.8	
136	1	0333520008	WASHER	
137	1	1638329900	SPACER	
140	2	1638279700	PAD ANTI VIBR.	
142	2	0333520008	WASHER	
145	2	0147148003	SCREW:M16 X 55 HHCS \$STL 8.8	
150	4	0211140003	HEX. SOCK M12X25X8.8	
155	4	3315019508	LOCK WASHER	
195	4	0147132203	HEX. HEAD SCREW M8 X 16	
245	1	1638500500	SUPPORT	
255	1	1638500601	SUPPORT	
265	1	1626018802	SUPPORT	
275	1	1638500700	SUPPORT	
285	1	1638501402	SUPPORT	



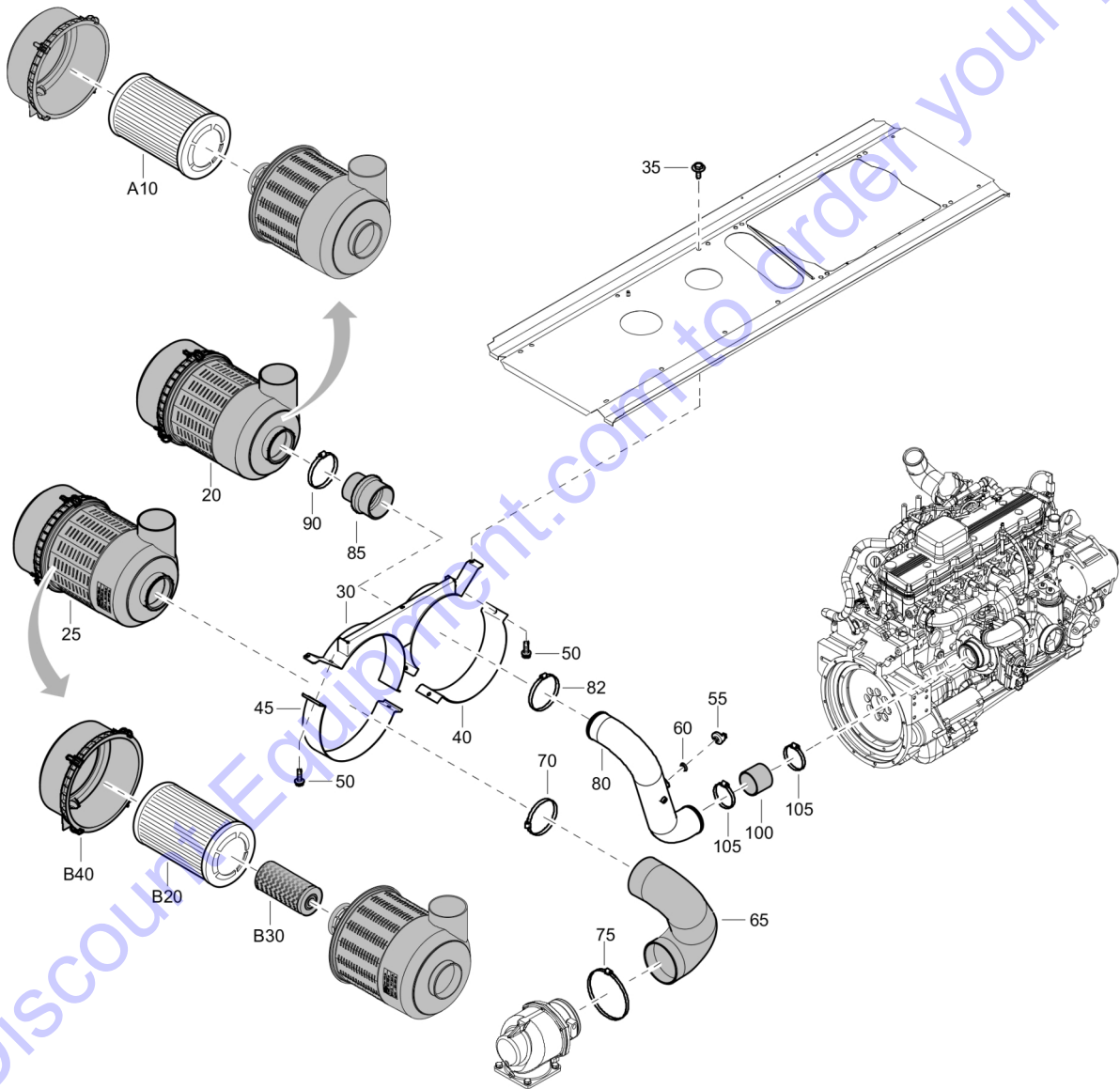
Id	Qty	Number	Name	Specifications
10	4	0661103300	SEAL WASHER	
20	1	1638148000	PLATE COVER	
30	4	1613265500	PLUG	
40	1	1638148100	SEAL GASKET	
60	4	1615566400	HEX. HEAD SCREW	
70	4	0686371602	PLUG G1/2"	

Go to Discount-Equipment.com to order your parts



Go to Disc... Equipment.com to order your parts

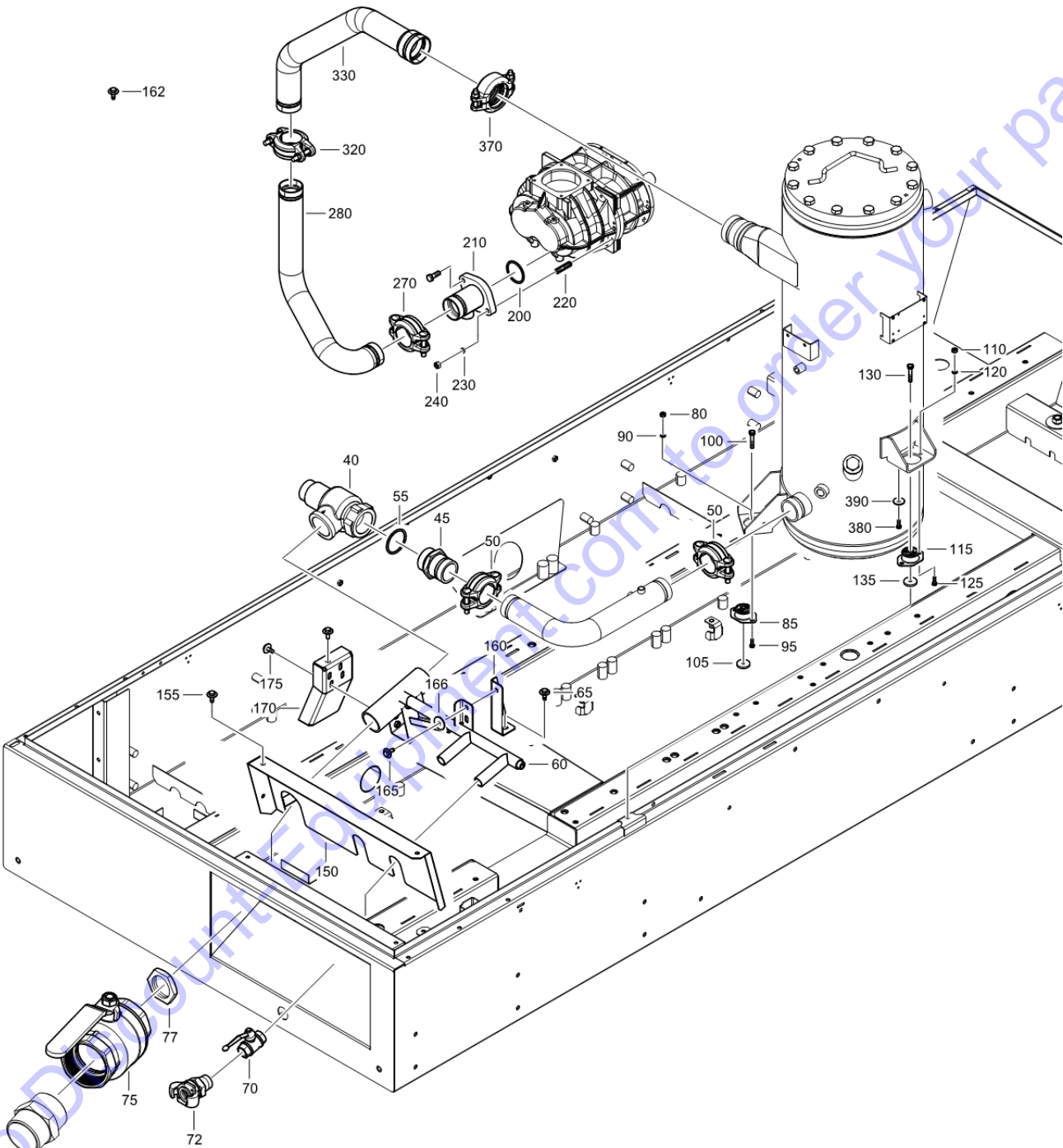
Id	Qty	Number	Name	Specifications
20	1	1604353300	BUSHING	
25	1	0337229323	PARALLEL KEY	
30	1	1622096400	WASHER 12.5	
35	1	0211140800	HEX. SOCK M12X65X12.9	
40	1	0335216000	CIRCLIP D=80	
45	1	0508115801	BEARING	
50	1	1604757702	GEARBOX	
55	1	0663210643	O-RING:	
60	1	1604749701	NOZZLE	
65	1	0663311700	O-RING 10.3 X 2.4	
70	1	0147124403	HEX. HEAD SCREW M6 X 12	
75	2	0101195140	PARALLEL PIN	
80	1	0663210978	O-RING	
85	1	0663211146	O-RING 30X2.4	
90	10	0147136503	HEXAGON BOLT	
95	1	0506010009	SPHERICAL ROLLER BEARING	
100	1	1616601300	BUSHING	
105	1	1616601200	LIPSEAL	
110	1	1616494600	RETAINER:	
115	1	0663714700	O-RING:M114.50IDX 3.00SECT	
120	4	0211136003	SCREW:M10X 20;SOC HD,ZN PLT,\$S	
125	1	1604689103	ADAPTER GEARBOX	
135	8	0147136503	HEXAGON BOLT	
140	2	0686612600	PLUG	
145	1	0686613000	PLUG	
200	1	1616869391	SERVICE ELEMENT, M-11	



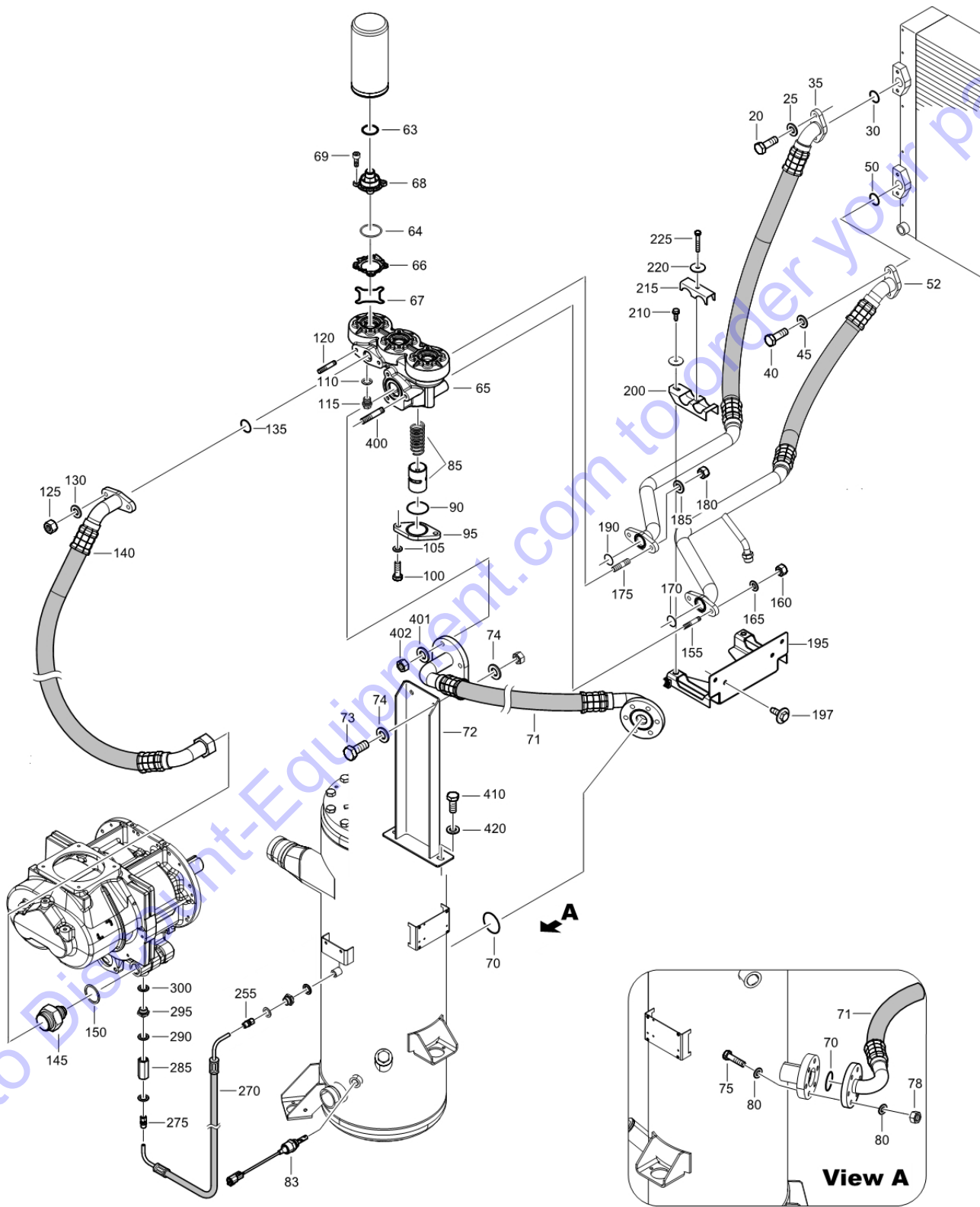
Id	Qty	Number	Name	Specifications
20	1	1615946402	AIR FILTER	
25	1	1604769700	FILTER-AIR:	
30	1	1626951900	SUPPORT	
35	3	1615566400	HEX. HEAD SCREW	
40	1	1615946500	CLAMP	
45	1	1604012800	CLAMP (AIRFILTER)	
50	4	1619533703	HEXAGON BOLT	
55	1	1089060705	WARNING SWITCH	
60	1	0661101400	SEALING WASHER	
65	1	1626953604	DUCT	
70	1	0347612100	HOSE CLIP	
75	1	0347612100	HOSE CLIP	
80	1	1638449001	PIPE	
82	1	0347611500	CLAMP	
85	1	1604699700	HOSE	
90	1	0347610015	HOSE CLIP 130-150	
100	1	1604257805	HOSE	
105	2	0347611500	CLAMP	

Go to Discount-Equipment.com to order your parts





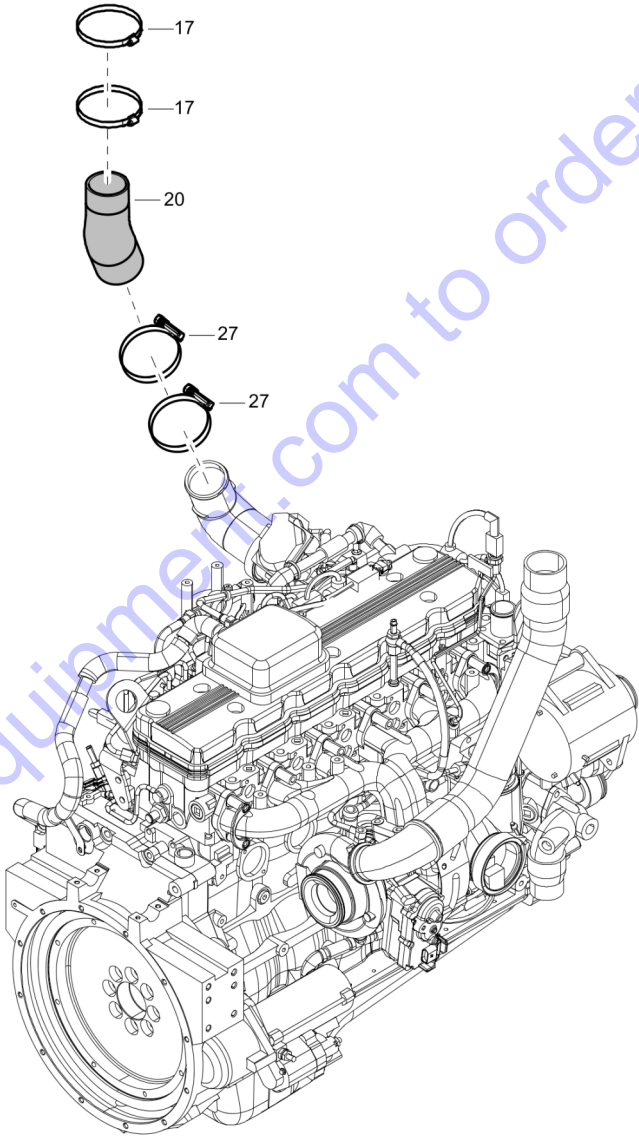
Id	Qty	Number	Name	Specifications
40	1	1604133901	VALVULA PRESSAO MINIMA	
45	1	1604172901	ADAPTER	
50	2	1604179201	CLAMP-PIPE: 2", 75 VICTUALIC	
55	1	0653129300	FLAT GASKET	
60	1	1626035506	MANIFOLD	
65	5	1615566400	HEX. HEAD SCREW	
70	2	0852001098	VALVE BALL	
72	2	1638184300	COUPLING	
75	1	1638933600	OUTLET VALVE	
77	1	0623210009	BACKNUT	
80	4	0266211100	NUT:M10.0DX 8.4H HEX,ZN PLT,\$S	
85	2	1202900601	PAD ANTI VIBR.	
90	4	0301234400	Toothed washer	
95	4	0147136303	BOLT M10*30 FZB	
100	2	0147140903	SCREW:M12 X 70 HHCS ZP-STL 8.8	
105	4	1202871900	WASHER PLAIN	
110	2	0266211100	NUT:M10.0DX 8.4H HEX,ZN PLT,\$S	
115	1	1202900601	PAD ANTI VIBR.	
120	2	0301234400	Toothed washer	
125	2	0147136303	BOLT M10*30 FZB	
130	1	0147140903	SCREW:M12 X 70 HHCS ZP-STL 8.8	
135	2	1202871900	WASHER PLAIN	
150	1	1626101911	COVER	
155	4	1615566400	HEX. HEAD SCREW	
160	1	1638515401	BRACKET	
162	1	1615566400	HEX. HEAD SCREW	
165	1	1615566400	HEX. HEAD SCREW	
166	1	1088001901	WASHER D8.2 X D16.2 X 2.4	
170	1	1626351100	BRACKET	
175	2	1615566400	HEX. HEAD SCREW	
200	1	0663713800	O-RING 69.5 X 3	
210	1	1626925802	PIPE	
220	2	0246124002	STUD	
230	2	0333323200	LOCK WASHER	
240	2	0266211100	NUT:M10.0DX 8.4H HEX,ZN PLT,\$S	
270	1	1604179201	CLAMP-PIPE: 2", 75 VICTUALIC	
280	1	1626925702	PIPE	
320	1	1604179201	CLAMP-PIPE: 2", 75 VICTUALIC	
330	1	1626925602	PIPE	
370	1	1604179101	CLAMP	
380	1	1615566400	HEX. HEAD SCREW	
390	1	1088001901	WASHER D8.2 X D16.2 X 2.4	



Go to [Dismant-Equipment.com](http://Dismant-Equipment.com) to order your parts

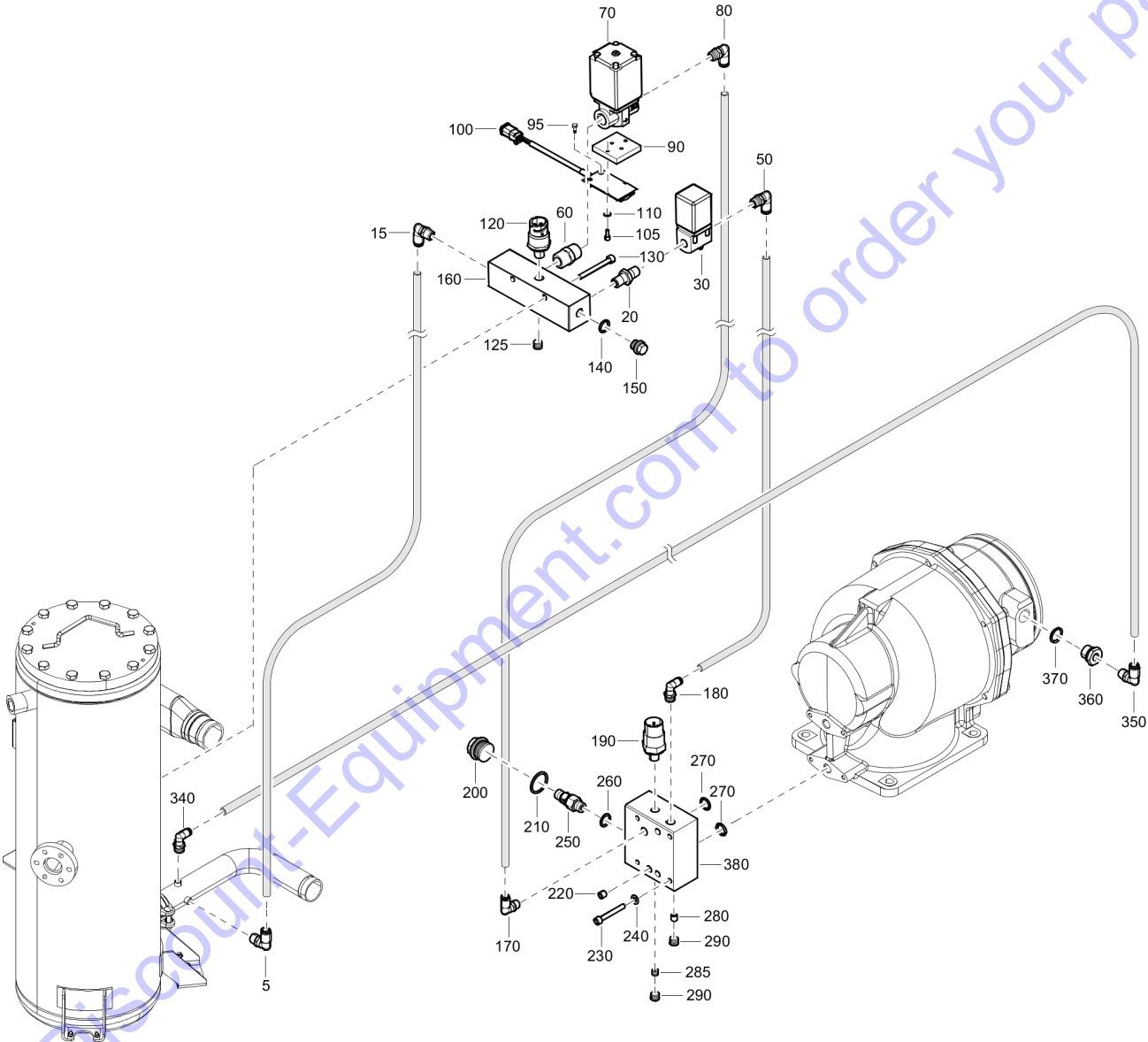
Id	Qty	Number	Name	Specifications
20	2	0147136203	HEX. SOCK. SCREW	
25	2	0301234400	Toothed washer	
30	1	0663313100	O-RING	
35	1	1638449200	HOSE ASSEMBLY	
40	2	0147136203	HEX. SOCK. SCREW	
45	2	0301234400	Toothed washer	
50	1	0663313100	O-RING	
52	1	1638449100	HOSE ASSEMBLY	
63	3	0663712700	O-RING	
64	3	0663713400	O-RING	
65	1	1638548900	HOUSING	
66	3	1630147502	ADAPTER GEARBOX	
67	3	1630147503	SPRING COMPRESSION	
68	3	1630147500	BAYONET ADAPTER	
69	12	0215000373	HEX.SOCKET SCREW	
70	1	0663986800	O-RING 57.2X3	
71	1	1626901401	HOSE ASSEMBLY	
72	1	1638446201	SUPPORT	
73	2	0147136303	BOLT M10*30 FZB	
74	2	0301234400	Toothed washer	
75	6	0147136703	HEX. BOLT M10X50X8.8	
78	6	0266211100	NUT:M10.0DX 8.4H HEX,ZN PLT,\$S	
80	12	0301234300	WASHER	
83	1	1638408000	SENSOR LEVEL	
85	1	1626299300	VALVE THERM	
20	1	1626328600	SPRING	
90	1	0663713400	O-RING	
95	1	1615639900	Flange	
100	2	0147136303	BOLT M10*30 FZB	
105	2	0301234400	Toothed washer	
110	2	0653106200	GASKET 13 X 20 X 1.5	
115	1	0686371601	PLUG G 1/4"	
120	2	0246124002	STUD	
125	2	0266211100	NUT:M10.0DX 8.4H HEX,ZN PLT,\$S	
130	2	0301234400	Toothed washer	
135	1	0663313100	O-RING	
140	1	1626901201	HOSE ASSEMBLY	
145	1	1626154401	NIPPLE	
150	1	0653118900	GASKET 33 X 39 X 2	
155	2	0246124002	STUD	
160	2	0266211100	NUT:M10.0DX 8.4H HEX,ZN PLT,\$S	
165	2	0301234400	Toothed washer	
170	1	0663313100	O-RING	
175	2	0246124002	STUD	
180	2	0266211100	NUT:M10.0DX 8.4H HEX,ZN PLT,\$S	
185	2	0301234400	Toothed washer	
190	1	0663313100	O-RING	
195	1	1638588000	SUPPORT	
197	4	1615566400	HEX. HEAD SCREW	

Id	Qty	Number	Name	Specifications
200	2	1626154200	BRACKET	
210	2	1615566400	HEX. HEAD SCREW	
215	2	1626164900	CLAMP	
220	2	0301234400	Toothed washer	
225	2	0147125203	SCR CAP HEX 6MM	
255	1	0581000183	STRAIGHT MALE ADAPTOR	
270	1	0574800295	HOSE ASSEMBLY	
275	1	0581000183	STRAIGHT MALE ADAPTOR	
285	1	0823005009	NON RETURN VALVE	
290	1	0653106200	GASKET 13 X 20 X 1.5	
295	1	1626746400	NIPPLE	
300	1	0653112400	GASKET 21 X 26 X 1.5	
400	3	0246124002	STUD	
401	6	0301234400	Toothed washer	
402	3	0266211100	NUT:M10.0DX 8.4H HEX,ZN PLT,\$S	
410	2	0147140103	HEX. HEAD SCREW M12 X 25	
420	2	0301235800	PLAIN WASHER(A) 13 X 24 X 2.5	



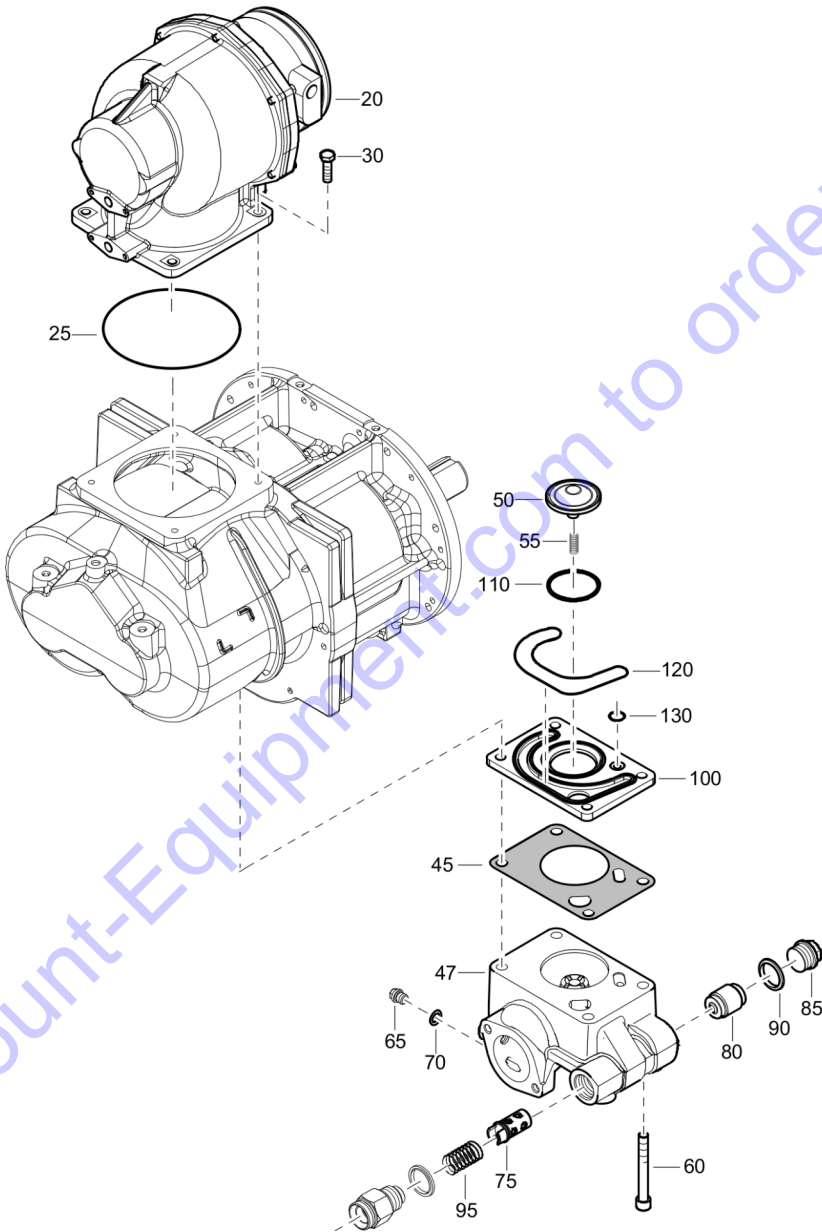
Id	Qty	Number	Name	Specifications
17	2	0347610020	HOSE CLIP	
20	1	1638448300	HOSE	
27	2	0347610021	HOSE CLAMP	

Go to Discount-Equipment.com to order your parts



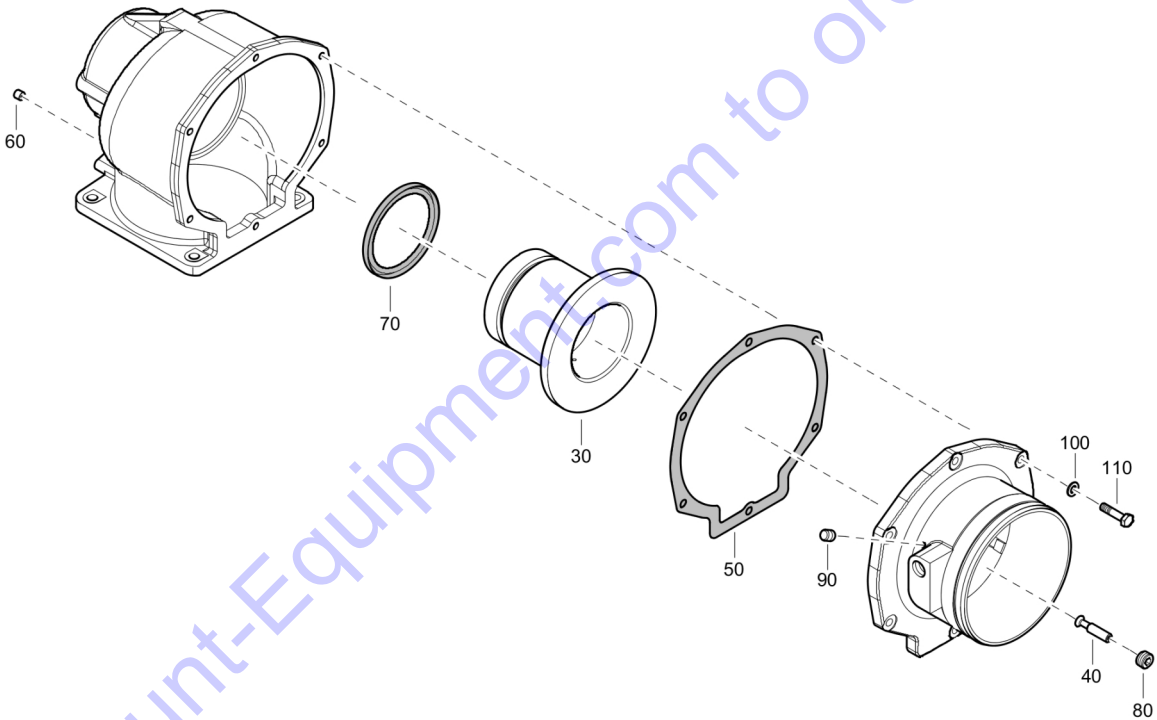


Id	Qty	Number	Name	Specifications
5	1	0583812086	COUPLING	
15	1	0583812086	COUPLING	
20	1	0603410203	NIPPLE	
30	1	1089951502	SOLENOID VALVE	
50	1	0583812086	COUPLING	
60	1	9740202133	Nipple	
70	1	1638270200	PROPORTIONAL VALVE	
80	1	0583812087	ELBOW COUPLING R3/8 X 8	
90	1	1638402100	FLANGE ADAPTOR	
95	2	0216195711	COUNTERSUNK HEX. SOCK. SCREW	
100	1	1638201700	HEATER CORE	
105	2	0211117003	HEX SOCK. SCREW	
110	2	0301231500	PLAIN WASHER D4*9 FZB	
120	1	1607852288	PRESSURE SENSOR	
125	1	0686612800	PLUG	
130	2	0211125503	HEX SOC SCREW	
140	1	0653107000	GASKET 14 X 18 X 1.5	
150	1	0686420203	PLUG 1/4 AA	
160	1	1638415300	Manifold	
170	1	0583812086	COUPLING	
180	1	0583812086	COUPLING	
190	1	1607852293	PRESSURE SENSOR	
200	1	0686371607	PLUG G 1	
210	1	0653118900	GASKET 33 X 39 X 2	
220	3	0686612600	PLUG	
230	4	0211125503	HEX SOC SCREW	
240	4	0301232100	PLAIN WASHER(A) 6.4 X 12 X 1.6	
250	1	0823000019	NON-RETURN VALVE	
260	1	0653106200	GASKET 13 X 20 X 1.5	
270	2	0663312000	O-RING	
280	1	1638410801	NOZZLE	
285	1	1638562400	NOZZLE	
290	2	0686612800	PLUG	
340	1	0583812086	COUPLING	
350	1	0583812086	COUPLING	
360	1	0605881406	BUSHING	
370	1	0661103300	SEAL WASHER	
380	1	1638419803	MANIFOLD	



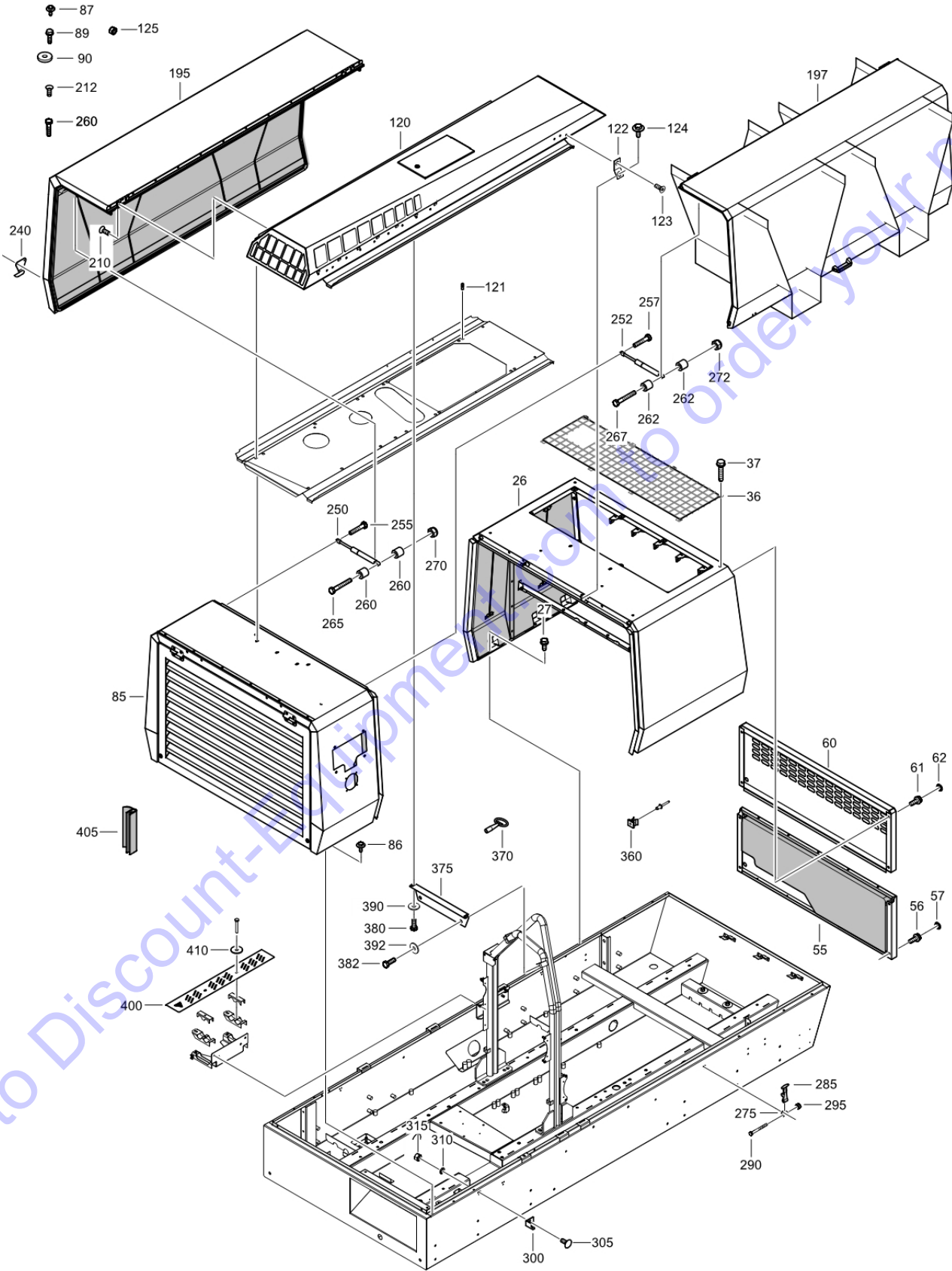
Go to Discount-Equipment.com to order your parts

Id	Qty	Number	Name	Specifications
20	1	1626215381	VALVE:UNLOADER XAS 750/SIZE 2	
25	1	0663210971	O-RING	
30	4	0147136303	BOLT M10*30 FZB	
45	1	1622097700	GASKET	
47	1	1626546700	VALVE HOUSING	
50	1	1626511900	VALVE CHECK	
55	1	1622079600	SPRING	
60	4	0211196344	HEXAGON SOCKET HEAD CAP SCREW	
65	1	0686371601	PLUG G 1/4"	
70	1	0653106200	GASKET 13 X 20 X 1.5	
75	1	1613235600	VALVE-OIL STOP:28DX56L	
80	1	1626571600	PISTON OSV	
85	1	0686371607	PLUG G 1	
90	1	0661104900	SEAL WASHER	
95	1	1622566200	SPRING OIL STOP VALVE	
100	1	1616872001	INTERFACE PLATE	
110	1	0663713900	O-RING 74.5 X 3	
120	1	0663210737	O-RING 179X3	
130	1	0663210667	O-RING 15.1X1.6	



<b>Id</b>	<b>Qty</b>	<b>Number</b>	<b>Name</b>	<b>Specifications</b>
30	1	1626218900	PISTON	
40	1	1604620500	VALVE	
50	1	1626469100	GASKET	
60	1	1626238000	NOZZLE	
70	1	1626237100	SEAL	
80	1	1613291300	PLUG	
90	1	0686260600	PLUG M6 X 6	
100	6	0301233500	PLAIN WASHER(A) 8.4 X 16 X 1.6	
110	6	0147132703	HEX. HEAD SCREW M8 X 35	

Go to Discount-Equipment.com to order your parts



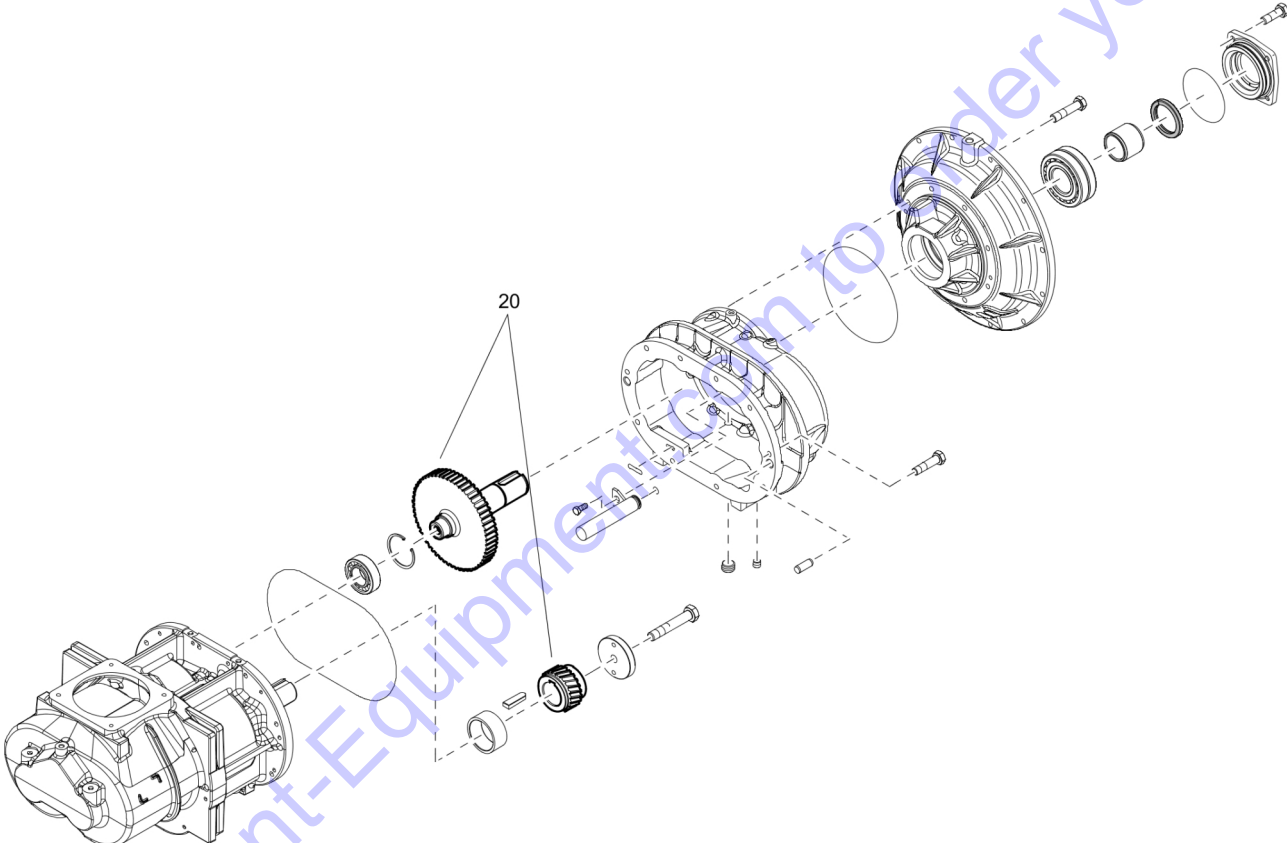
Go to Discount-[frames.com](https://www.discount-frames.com) to order your parts

Id	Qty	Number	Name	Specifications
26	1	1638941180	CANOPY	
27	6	1619276600	SCREW-SELF TAP:M 8X 20 HEX HD,	
36	1	1638511100	GRATING	
37	8	1619589801	HEXAGON BOLT	
55	1	1638937980	PANEL	
56	4	1619276600	SCREW-SELF TAP:M 8X 20 HEX HD,	
57	4	0686925284	RUBBER PLUG	
60	1	1638938180	PANEL	
61	4	1619276600	SCREW-SELF TAP:M 8X 20 HEX HD,	
62	4	0686925284	RUBBER PLUG	
85	1	1638937080	REAR CORNER ASSY	
86	2	1615566400	HEX. HEAD SCREW	
87	4	1615566400	HEX. HEAD SCREW	
89	2	1619533701	SCR.BOLT M8X30 MD50/600A	
90	2	0303127401	PLAIN WASHER	
120	1	1638938780	ROOF ASSY	
121	7	0246195422	STUD	
122	2	1626291700	PLATE	
123	2	0216132403	SCREW:M8X22,SOC HD,CS,\$STL	
124	2	1615566400	HEX. HEAD SCREW	
125	7	0266211000		
195	1	1638939380	DOOR	
197	1	1638939380	DOOR	
210	2	0216132403	SCREW:M8X22,SOC HD,CS,\$STL	
212	1	0216132403	SCREW:M8X22,SOC HD,CS,\$STL	
240	4	1615860500	STIRRUP	
250	2	1615771700	GASSPRING	
252	2	1615771700	GASSPRING	
255	2	0147132803	HEX.BOLT M8X40-8.8	
257	1	0147132803	HEX.BOLT M8X40-8.8	
260	2	0324100016	DISTANCE SLEEVE	
262	2	0324100016	DISTANCE SLEEVE	
265	2	0147133103	SCREW:M 8X 55;HEX HD,ZN PLT,\$S	
267	2	0147133103	SCREW:M 8X 55;HEX HD,ZN PLT,\$S	
270	2	0291111000	LOCKNUT:M8 W/NYL INS,ZN PL STL	
272	2	0291111000	LOCKNUT:M8 W/NYL INS,ZN PL STL	
275	4	1619298001	BASE PLATE	
285	4	1626617100	CATCH	
290	4	0147121403	HEX. HEAD SCREW	
295	4	0291110700	LOCKNUT:M 5 ZN PLT,\$STL W/NYL	
300	2	1615860400	BRACKET	
305	2	0226991517	SQ. NECK BOLT	
310	2	0333322700		
315	2	0266211000		
360	1	1612157400	SPRING CLIP	
370	1	1089906801	KEY	
375	1	1626905505	SUPPORT	
380	2	0147132203	HEX. HEAD SCREW M8 X 16	
382	2	0147132203	HEX. HEAD SCREW M8 X 16	

<b>Id</b>	<b>Qty</b>	<b>Number</b>	<b>Name</b>	<b>Specifications</b>
390	2	0300801900	WIDE FLAT WASHER 5/16"TX(TB)	
392	2	0300801900	WIDE FLAT WASHER 5/16"TX(TB)	
400	1	1638924700	PLATE	
405	1	1503105600	SEAL	
410	2	0300027435	PLAIN WASHER	

Go to Discount-Equipment.com to order your parts

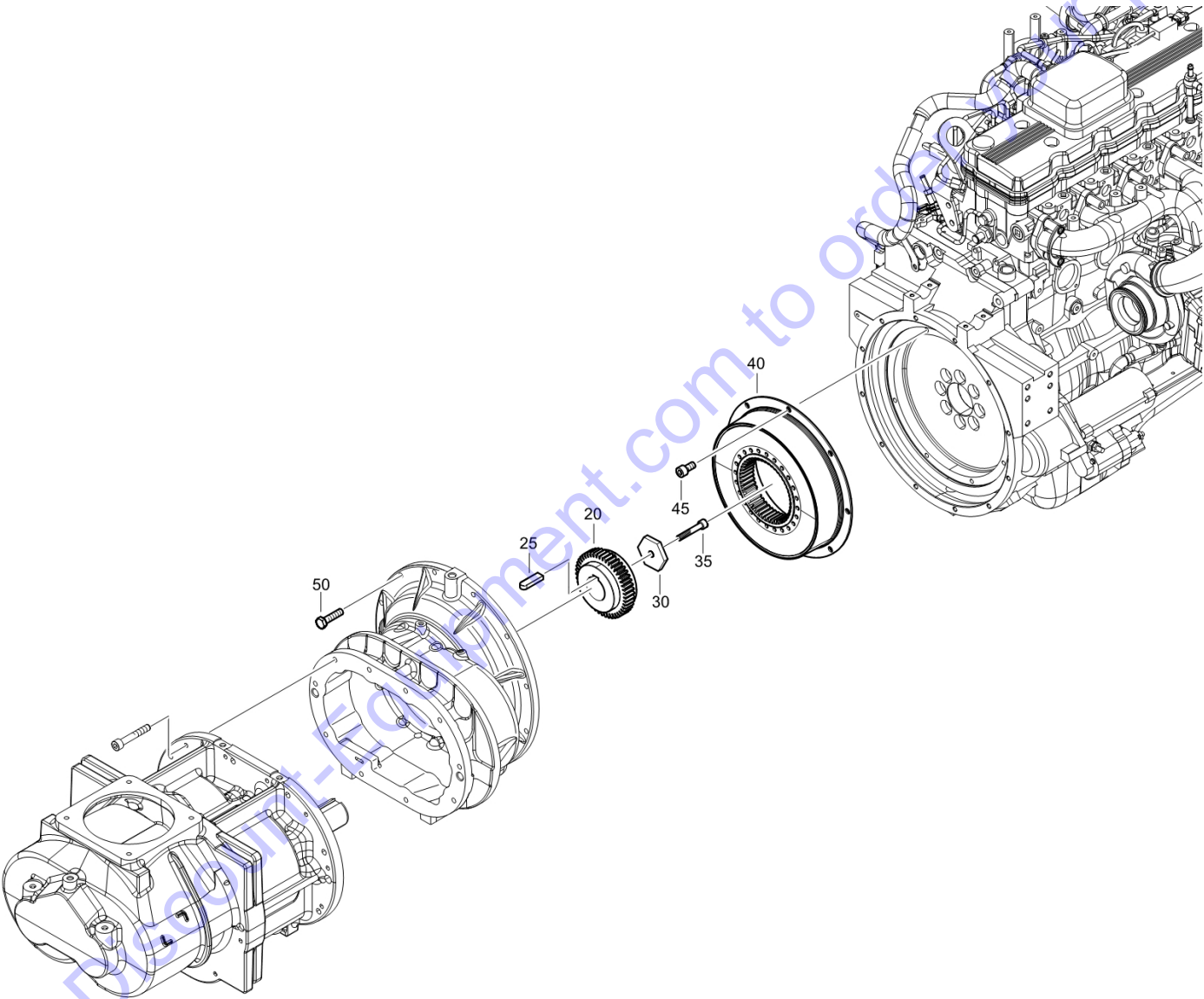




Go to Discount-Equipment.com to order your parts

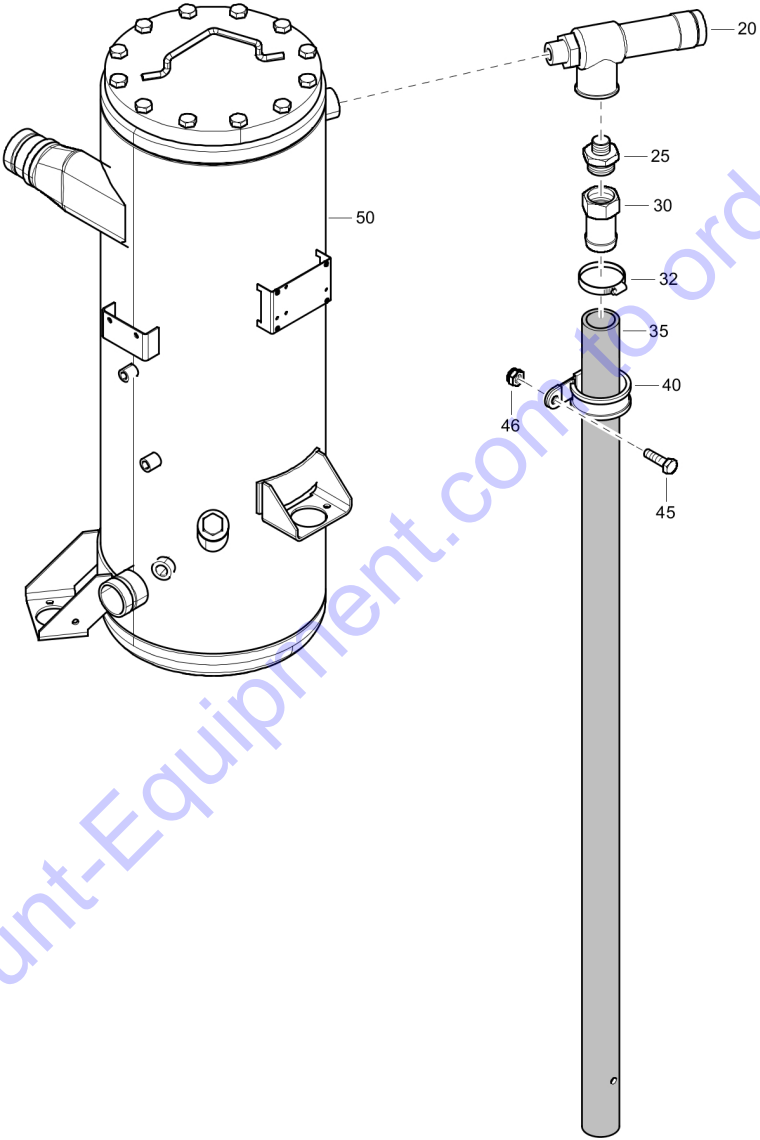
Id	Qty	Number	Name	Specifications
20	1	1604799081	GEARSET 2,5217	Version: 2

Go to Discount-Equipment.com to order your parts



<b>Id</b>	<b>Qty</b>	<b>Number</b>	<b>Name</b>	<b>Specifications</b>
20	1	1638542100	HUB	
25	1	0337229323	PARALLEL KEY	
30	1	1604130600	WASHER	
35	1	0211140800	HEX. SOCK M12X65X12.9	
40	1	1626903500	COUPLING DRIVE	
45	8	0211516206	SCREW	
50	12	0147136403	HEX. BOLT M10X35X8.8	

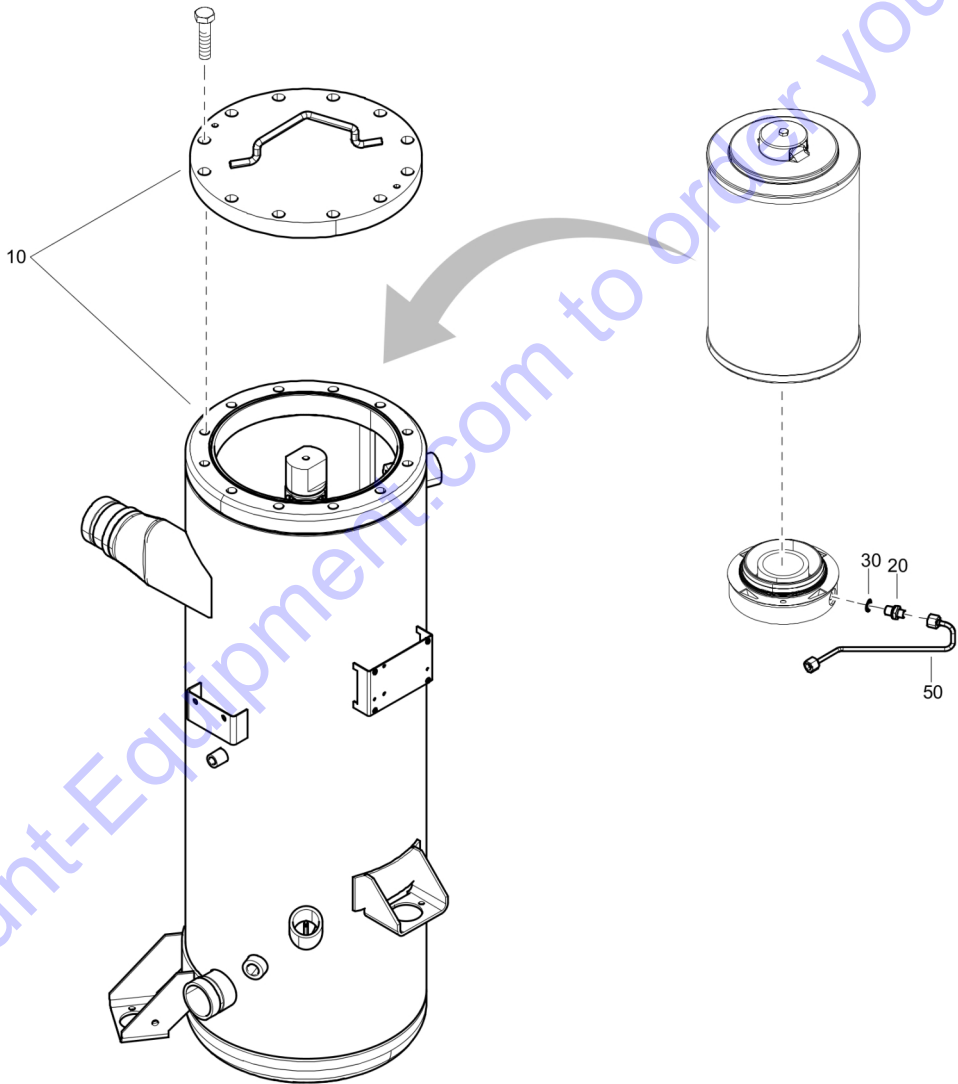
Go to Discount-Equipment.com to order your parts



Go to Discount-Equipment.com to order your parts

<b>Id</b>	<b>Qty</b>	<b>Number</b>	<b>Name</b>	<b>Specifications</b>
20	1	0832100263	SAFETY VALVE	
25	1	0603410803	HEXAGON NIPPLE	
30	1	1615694200	NIPPLE	
32	1	1079347111	HOSE CLIP	
35		0075400557	RUBBER TUBE	
40	1	1619286105	CLAMP	
45	1	0211136503	SCREW	
46	1	0291111100	M10 LOCKNUT	
50	1	1638549083	Vessel	

Go to Discount-Equipment.com to order your parts

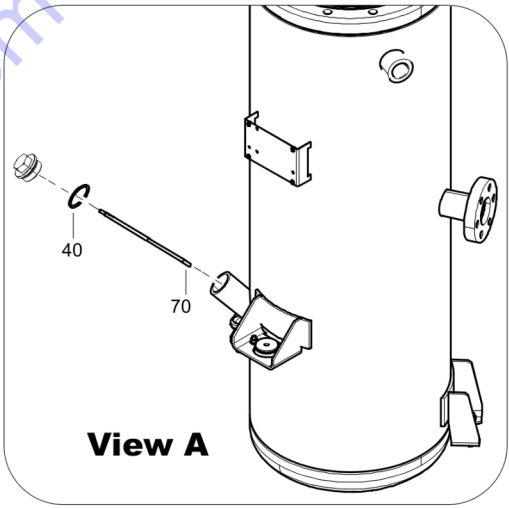
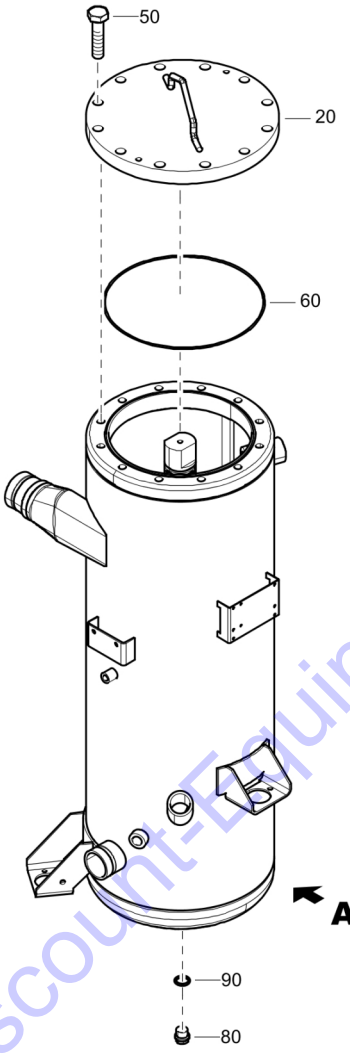


Go to Discount-Equipment.com to order your parts

Id	Qty	Number	Name	Specifications
10	1	1638549183	Vessel	
20	1	1619520500	NIPPLE	
30	1	0653107000	GASKET 14 X 18 X 1.5	
50	1	1638435700	SCAVENGE LINE	

Go to Discount-Equipment.com to order your parts

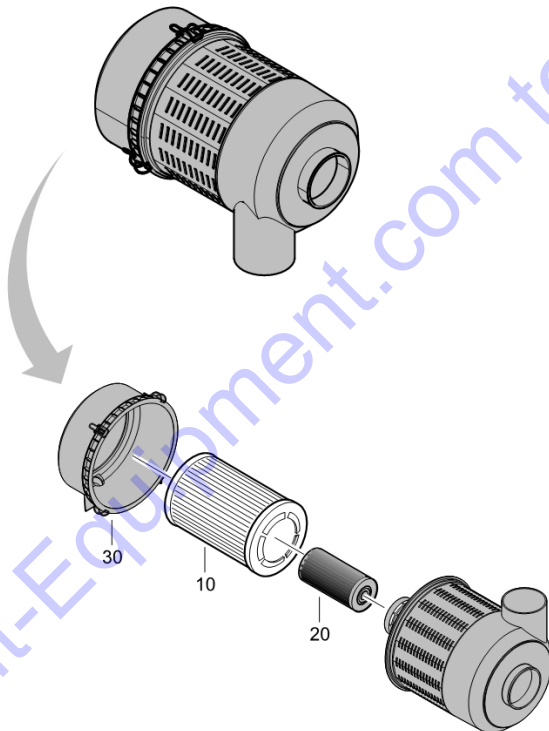




Go to Discount-Equipment.com to order your parts

Id	Qty	Number	Name	Specifications
20	1	1638396700	PLUG VESSEL	
40	1	0653122700	GASKET:	
50	12	0147196460	SCREW	
60	1	0663210979	O-RING	
70	1	1638435901	DIPSTICK VESSEL S2LP	
80	1	0686371602	PLUG G1/2"	
90	1	0661103300	SEAL WASHER	

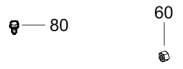
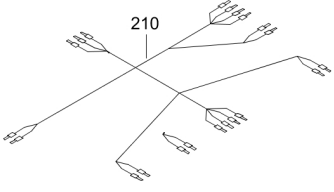
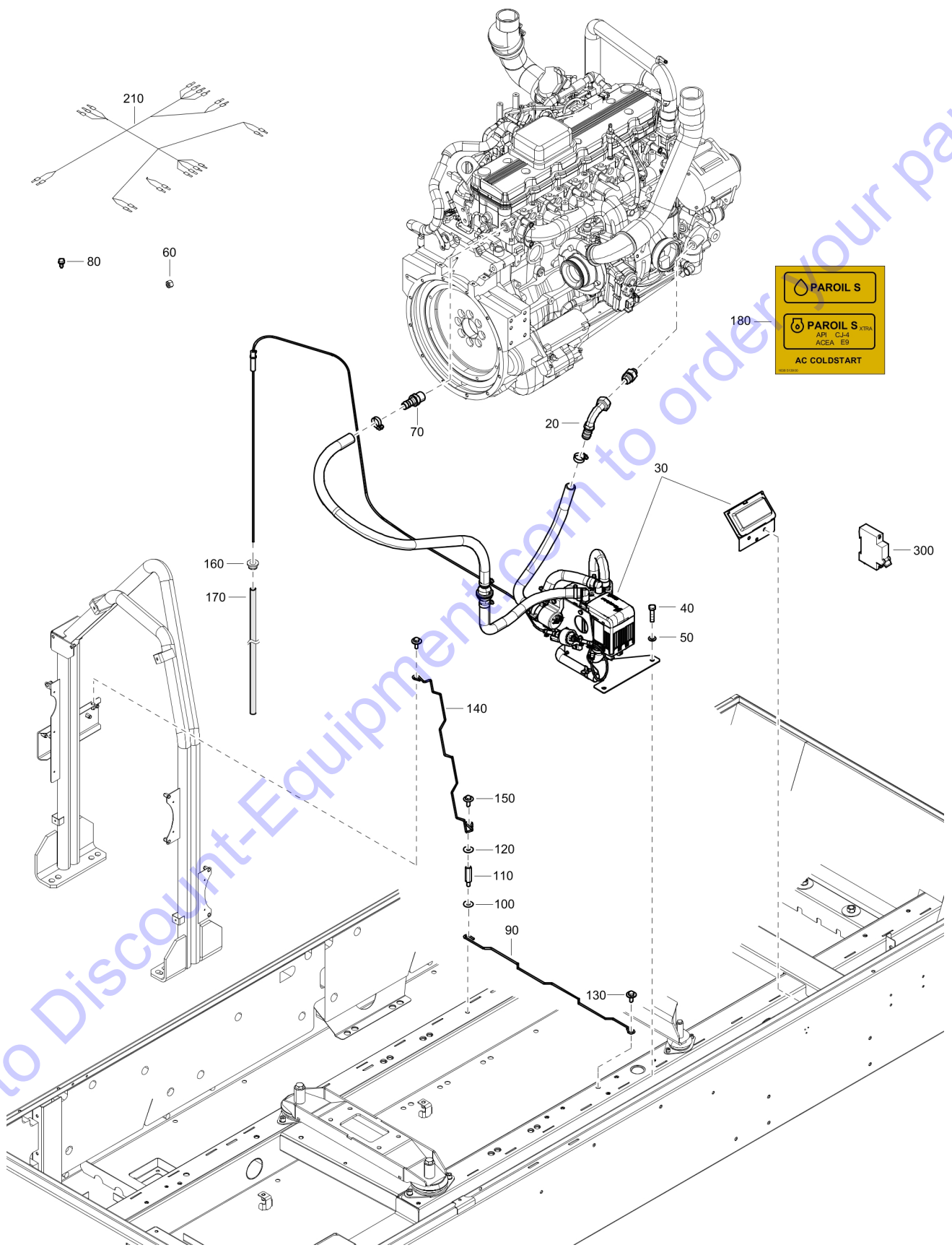
Go to Discount-Equipment.com to order your parts



Go to Discount-Equipment.com to order your parts

<b>Id</b>	<b>Qty</b>	<b>Number</b>	<b>Name</b>	<b>Specifications</b>
10	1	2914502900	AIR FILTER ELEMENT GLUESTRING	
20	1	2914502400	SAFETY CARTRIDGE	
30	1	2914866300	COVER AIRFILTER	

Go to Discount-Equipment.com to order your parts



Go to Discount-Equipment.com to order your parts

Id	Qty	Number	Name	Specifications
20	1	0571002055	HOSE NIPPLE	
30	1	1638529201	COOLANT HEATER	
40	2	0147124303	HEX. HEAD SCREW M6 X 10	
50	2	0301232100	PLAIN WASHER(A) 6.4 X 12 X 1.6	
60	2	0266210800	NUT:M 6.0DX 5.2H HEX,ZN PLT,\$S	
70	1	0571002011	HOSE NIPPLE	
80	1	1615566400	HEX. HEAD SCREW	
90	1	1638555900	GUIDE	
100	1	0300801900	WIDE FLAT WASHER 5/16"TX(TB)	
110	1	0324180042	SCREW	
120	1	0300801900	WIDE FLAT WASHER 5/16"TX(TB)	
130	1	1615566400	HEX. HEAD SCREW	
140	1	1638556000	GUIDE	
150	1	1615566400	HEX. HEAD SCREW	
160	1	1615648000	GROMMET	
170	1	1638251600	TUBE	
180	1	1638513900	DECAL SYMBOLS	
210	1	1638570501	WIRE HARNESS	
300	1	1607863440	SWITCH	

# PARTS FINDER

**Search Website  
by Part Number**



**Search Manual  
Library For Parts  
Manual & Lookup Part  
Numbers – Purchase  
or Request Quote**

**Can't Find Part or  
Manual? Request Help  
by Manufacturer,  
Model & Description**

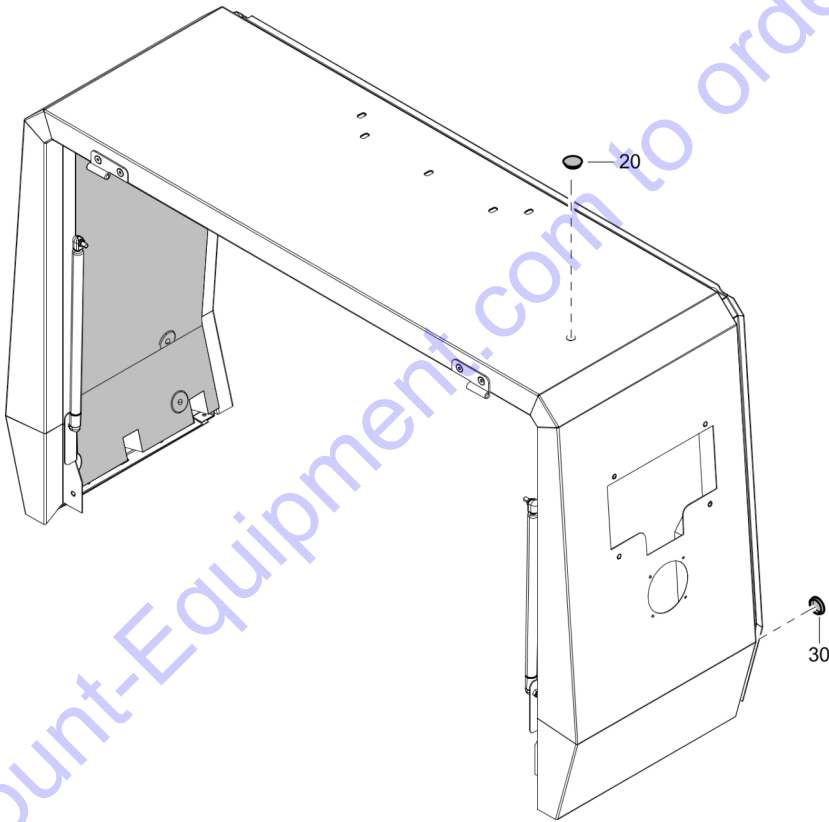
Discount-Equipment.com is your online resource for quality parts & equipment.

Florida: **561-964-4949** Outside Florida TOLL FREE: **877-690-3101**

**Need parts?**

Click on this link: <http://www.discount-equipment.com/category/5443-parts/> and choose one of the options to help get the right parts and equipment you are looking for. Please have the machine model and serial number available in order to help us get you the correct parts. If you don't find the part on the website or on one of the online manuals, please fill out the request form and one of our experienced staff members will get back to you with a quote for the right part that your machine needs.

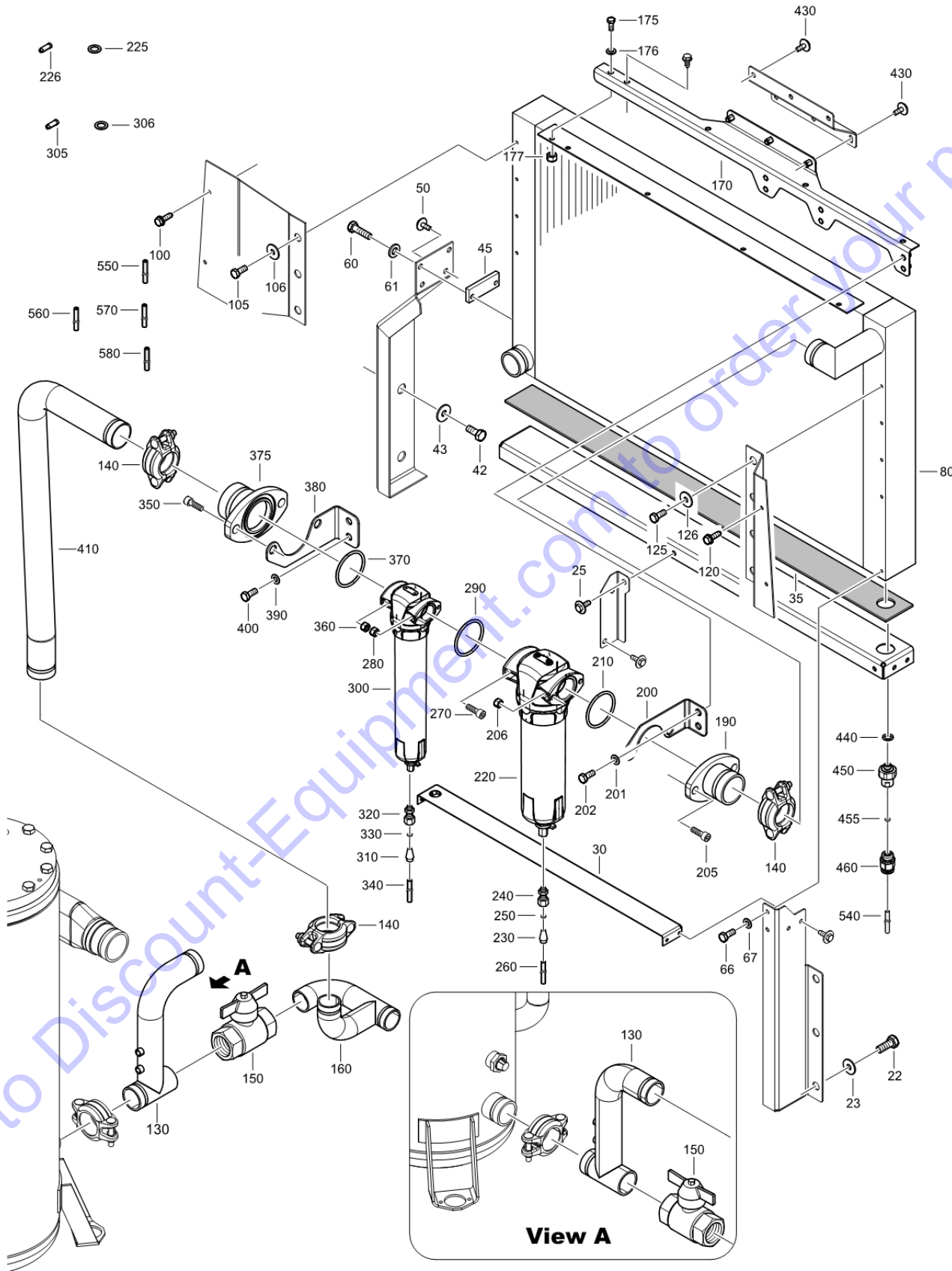
We sell worldwide for the brands: Genie, Terex, JLG, MultiQuip, Mikasa, Essick, Whiteman, Mayco, Toro Stone, Diamond Products, Generac Magnum, Airman, Haulotte, Barreto, Power Blanket, Nifty Lift, Atlas Copco, Chicago Pneumatic, Allmand, Miller Curber, Skyjack, Lull, Skytrak, Tsurumi, Husquvarna Target, Stow, Wacker, Sakai, Mi-T-M, Sullair, Basic, Dynapac, MBW, Weber, Bartell, Bennar Newman, Haulotte, Ditch Runner, Menegotti, Morrison, Contec, Buddy, Crown, Edco, Wyco, Bomag, Laymor, EZ Trench, Bil-Jax, F.S. Curtis, Gehl Pavers, Heli, Honda, ICS/PowerGrit, IHI, Partner, Imer, Clipper, MMD, Koshin, Rice, CH&E, General Equipment, Amida, Coleman, NAC, Gradall, Square Shooter, Kent, Stanley, Tamco, Toku, Hatz, Kohler, Robin, Wisconsin, Northrock, Oztec, Toker TK, Rol-Air, APT, Wylie, Ingersoll Rand / Doosan, Innovatech, Con X, Ammann, Mecalac, Makinex, Smith Surface Prep, Small Line, Wanco, Yanmar





Id	Qty	Number	Name	Specifications
20	1	0686925315	PLUG	
30	2	0686925258	PLUG PROTECT.	

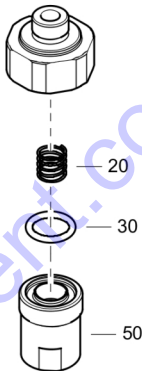
Go to Discount-Equipment.com to order your parts



Go to Discount-Equipment.com to order your parts

Id	Qty	Number	Name	Specifications
22	3	0147132203	HEX. HEAD SCREW M8 X 16	
23	3	0300027491	WASHER	
25	1	1615566400	HEX. HEAD SCREW	
30	1	1638501901	SUPPORT	
35	1	1638501700	PAD	
42	3	0147132203	HEX. HEAD SCREW M8 X 16	
43	3	0300027491	WASHER	
45	1	1626107900	SPACER	
50	2	1615566400	HEX. HEAD SCREW	
60	2	0147132503	SCREW:M 8X 25;HEX HD,ZN PLT,\$S	
61	2	0301233500	PLAIN WASHER(A) 8.4 X 16 X 1.6	
66	1	0147132203	HEX. HEAD SCREW M8 X 16	
67	1	0301233500	PLAIN WASHER(A) 8.4 X 16 X 1.6	
80	1	1626016103	AFTERCOOLER	
100	2	1619276600	SCREW-SELF TAP:M 8X 20 HEX HD,	
105	3	0147132203	HEX. HEAD SCREW M8 X 16	
106	3	1607852396	PLAIN WASHER	
120	2	1619276600	SCREW-SELF TAP:M 8X 20 HEX HD,	
125	4	0147132203	HEX. HEAD SCREW M8 X 16	
126	4	0300801900	WIDE FLAT WASHER 5/16"TX(TB)	
130	1	1638433200	PIPE	
140	4	1604179201	CLAMP-PIPE: 2", 75 VICTUALIC	
150	1	0852001089	BALL VALVE	
160	1	1626017201	PIPE -	
170	1	1638501501	BRACKET	
175	4	0147132503	SCREW:M 8X 25;HEX HD,ZN PLT,\$S	
176	8	0301233500	PLAIN WASHER(A) 8.4 X 16 X 1.6	
177	4	0266211000	HEXAGON NUT M8	
190	1	1638566002	FLANGE	
200	1	1638566301	BRACKET	
201	2	0301233500	PLAIN WASHER(A) 8.4 X 16 X 1.6	
202	2	0147132303	BOLT M8*20 FZB	
205	1	0211196084	PARAF.ALLEN M12X35 DIN 912	
206	1	0266211200	NUT M12	
210	1	0663210209	O RING	
220	1	1638579300	WATER SEPARATOR	
225	1	0653106200	GASKET 13 X 20 X 1.5	
226	1	0605870192	BUSHING	
230	1	0803501210	SILENCER	
240	1	1615861902	COUPLING	
250	1	1615862000	RESTRICTOR	
260	1	0070600205	PLASTIC TUBE	
270	2	0211196084	PARAF.ALLEN M12X35 DIN 912	
280	2	0266211200	NUT M12	
290	1	1816020400	O-RING	
300	1	1638579200	PD FILTER	
305	1	0605870192	BUSHING	
306	1	0653106200	GASKET 13 X 20 X 1.5	
310	1	0803501210	SILENCER	

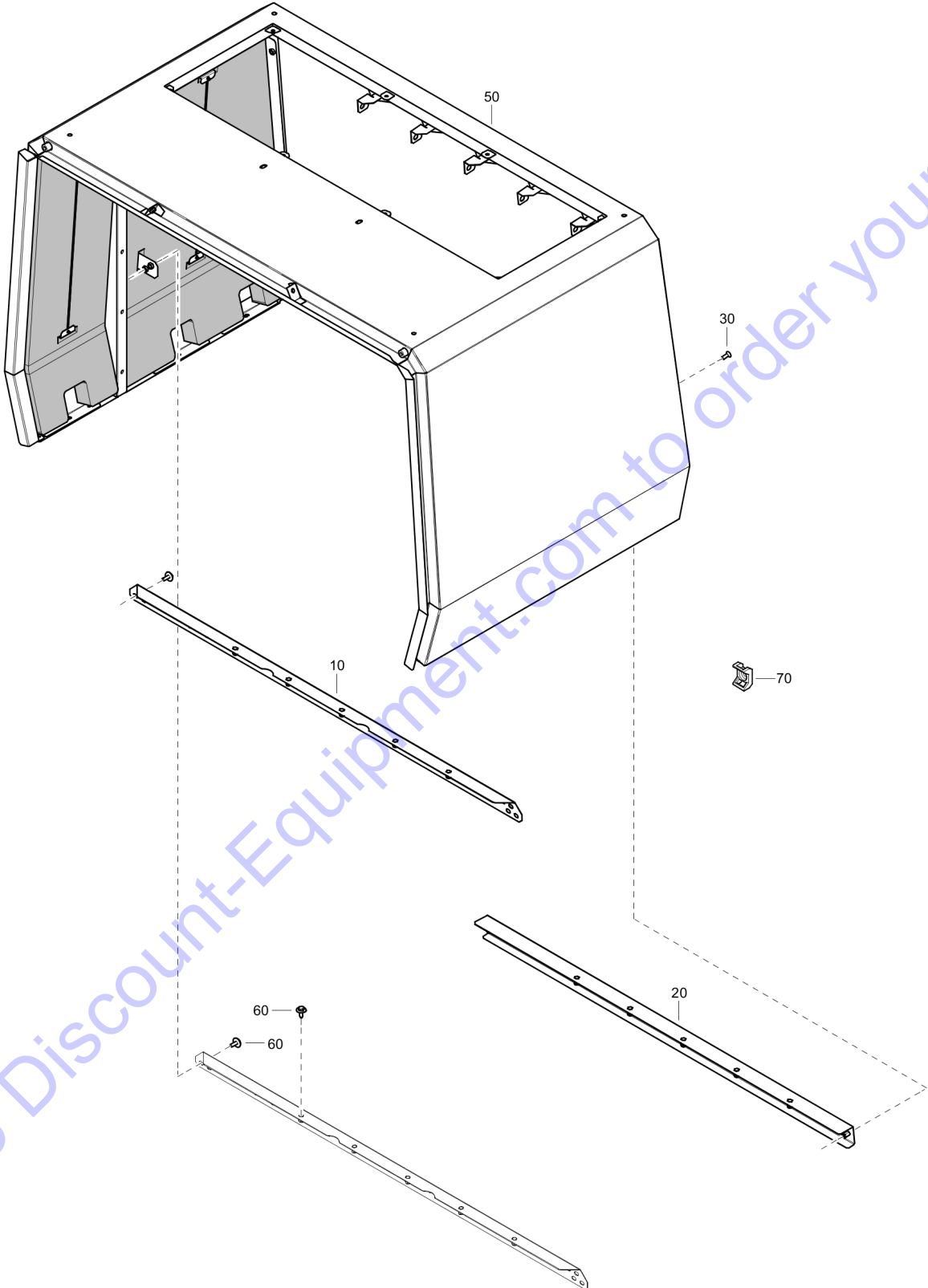
Id	Qty	Number	Name	Specifications
320	1	1615861902	COUPLING	
330	1	1615862000	RESTRICTOR	
340	1	0070600205	PLASTIC TUBE	
350	2	0211196084	PARAF.ALLEN M12X35 DIN 912	
360	2	0266211200	NUT M12	
370	1	0663210209	O RING	
375	1	1638566002	FLANGE	
380	1	1638566401	BRACKET	
390	2	0301233500	PLAIN WASHER(A) 8.4 X 16 X 1.6	
400	2	0147132303	BOLT M8*20 FZB	
410	1	1626025102	PIPE	
430	6	1615566400	HEX. HEAD SCREW	
440	1	0653106200	GASKET 13 X 20 X 1.5	
450	1	1638092782	DRAIN	
455	1	1615862000	RESTRICTOR	
460	1	0583812221	STRAIGHT COUPLING	
540	1	0070600205	PLASTIC TUBE	
550	1	0070600205	PLASTIC TUBE	
560	1	0070600205	PLASTIC TUBE	
570	1	0070600205	PLASTIC TUBE	
580	1	0070600205	PLASTIC TUBE	



Go to Discount-Equipment.com to order your parts

<b>Id</b>	<b>Qty</b>	<b>Number</b>	<b>Name</b>	<b>Specifications</b>
20	1	0384500029	SPRING COMPRESSION	
30	1	0663312000	O-RING	
50	1	1638092902	Nipple	

Go to Discount-Equipment.com to order your parts

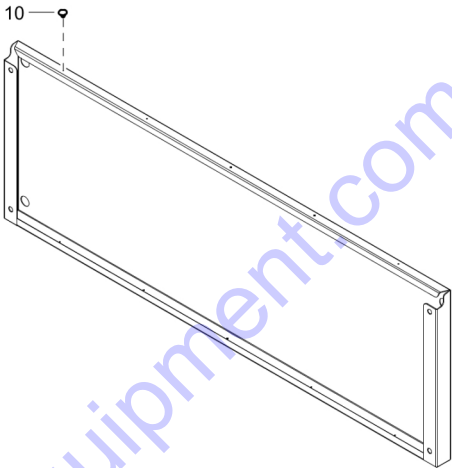


Go to Discount-Equipment.com to order your parts

<b>Id</b>	<b>Qty</b>	<b>Number</b>	<b>Name</b>	<b>Specifications</b>
10	2	1638510403	BEAM	
20	1	1638510101	BEAM	
30	8	1615566400	HEX. HEAD SCREW	
50	1	1638937780		Version: 00
60	2	0216132403	SCREW:M8X22,SOC HD,CS,\$STL	
70	10	0348011003	PLATE ANCHOR	

Go to Discount-Equipment.com to order your parts

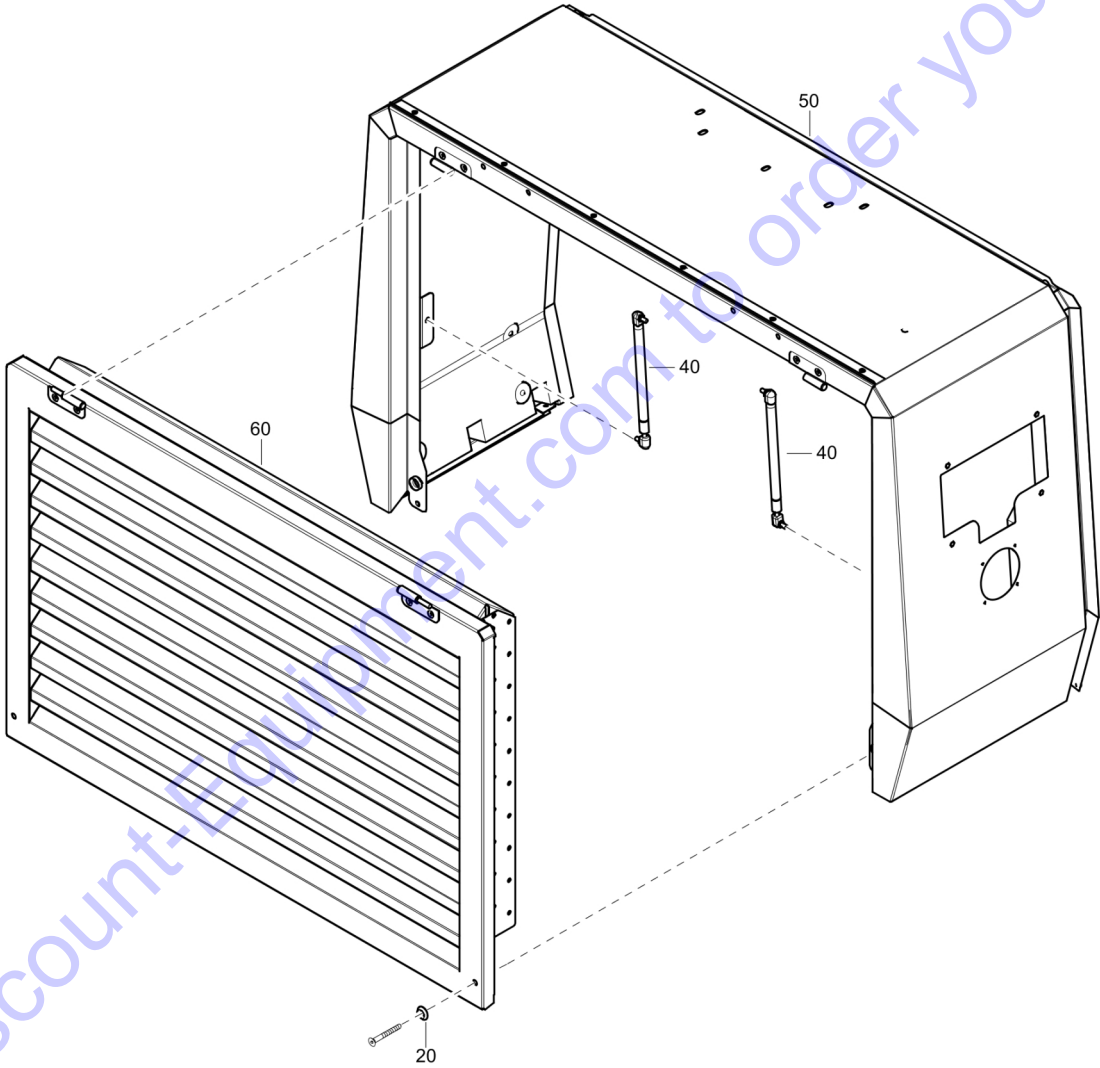




Go to Discount-Equipment.com to order your parts

Id	Qty	Number	Name	Specifications
10	10	0686925287	PLUG	

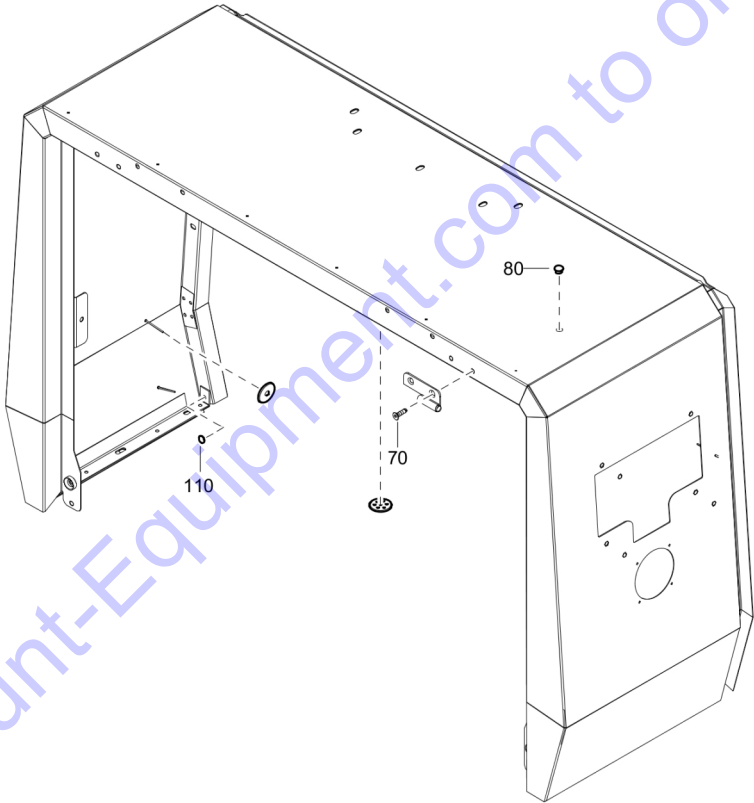
Go to Discount-Equipment.com to order your parts



Go to Discount-Equipment.com to order your parts

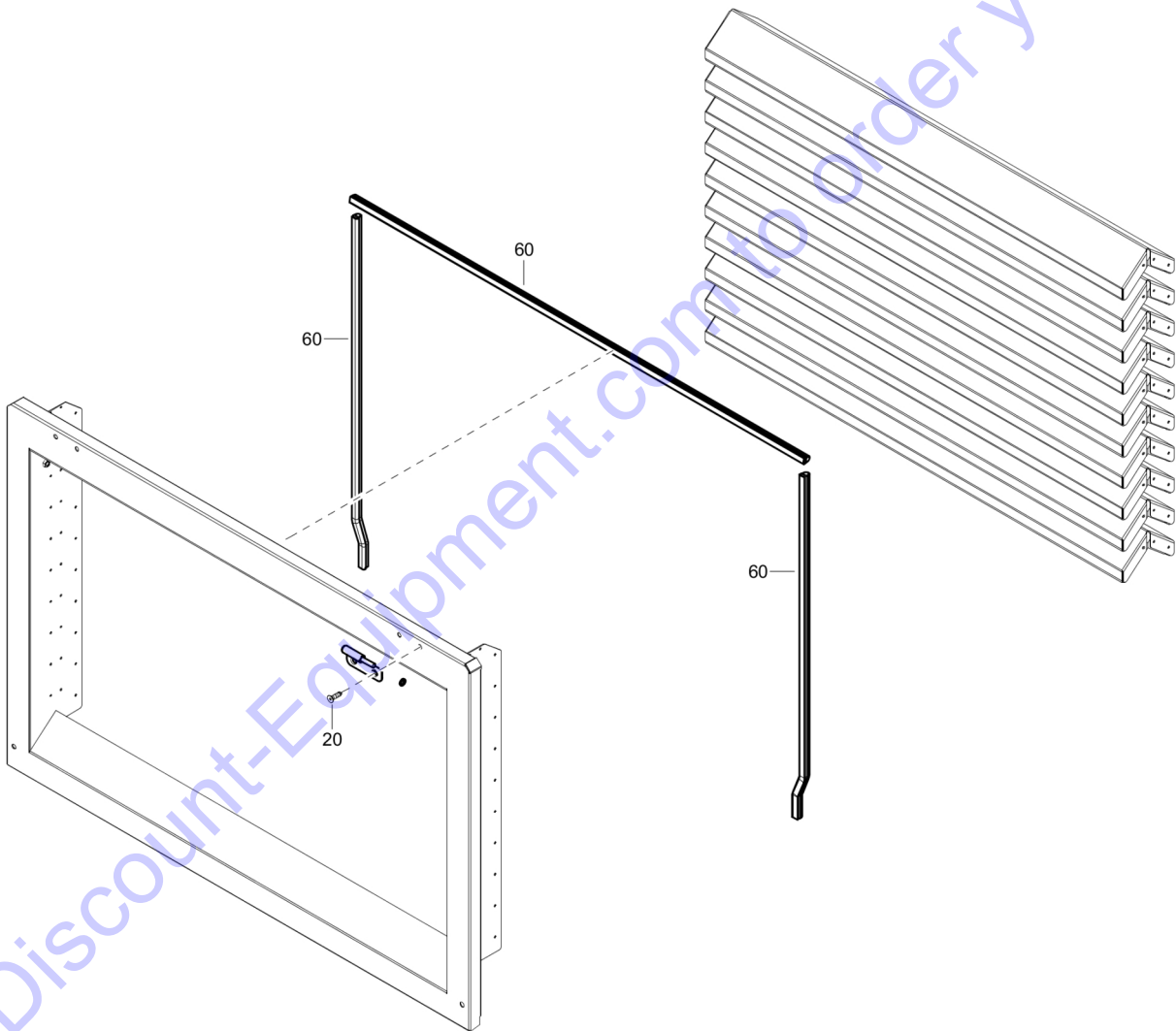
Id	Qty	Number	Name	Specifications
20	2	1607852267	WASHER	
40	2	1638609300	SPRING	
50	1	1638936980	Panel	
60	1	1638937380	Panel	

Go to Discount-Equipment.com to order your parts



Id	Qty	Number	Name	Specifications
70	4	1607852268	BOLT SCRAPER	
80	1	0686909905	PLUG	
110	2	0686925255	CAP	

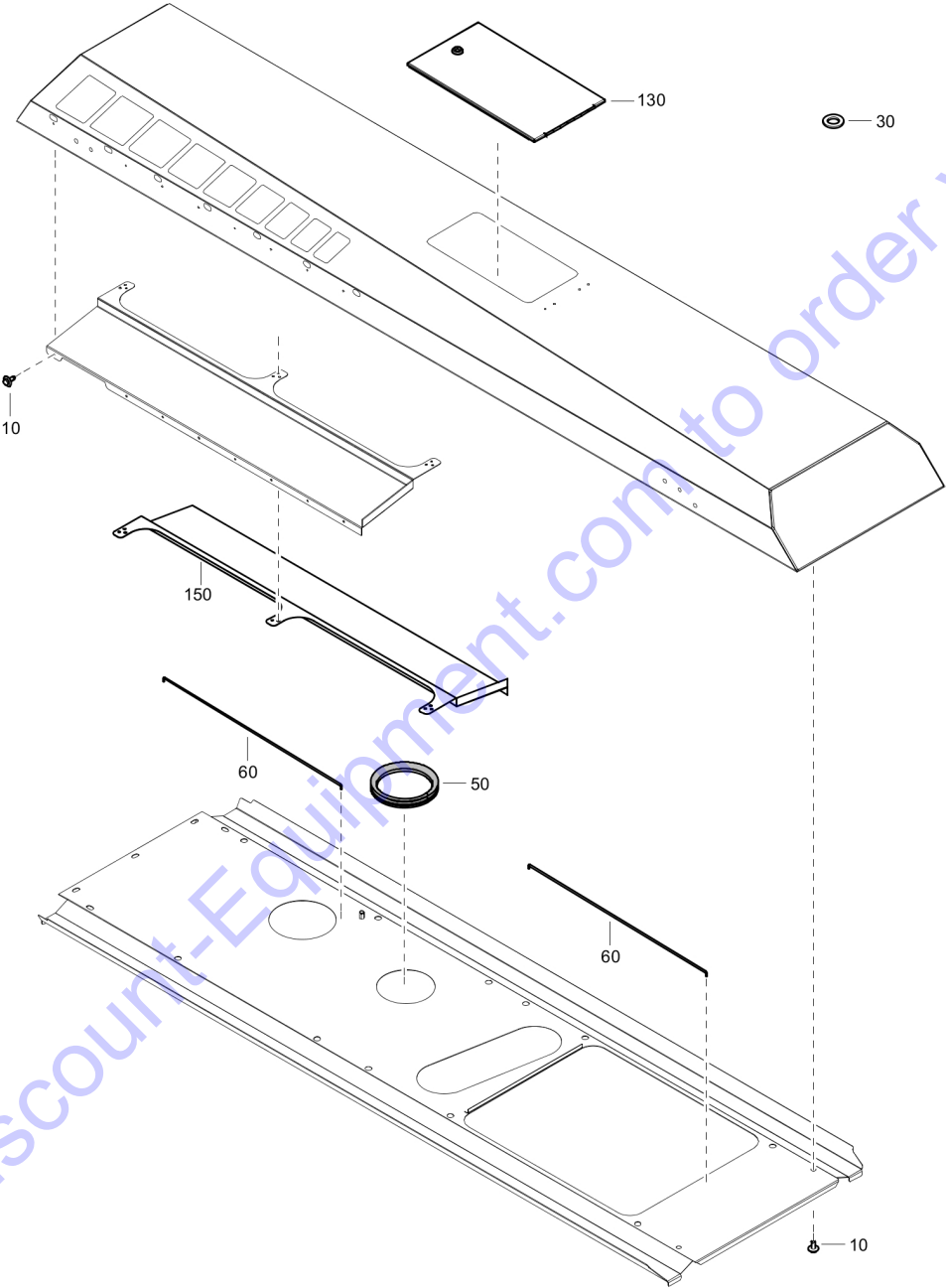
Go to Discount-Equipment.com to order your parts



Id	Qty	Number	Name	Specifications
20	4	1607852268	BOLT SCRAPER	
60	3	1619685800	SEAL	

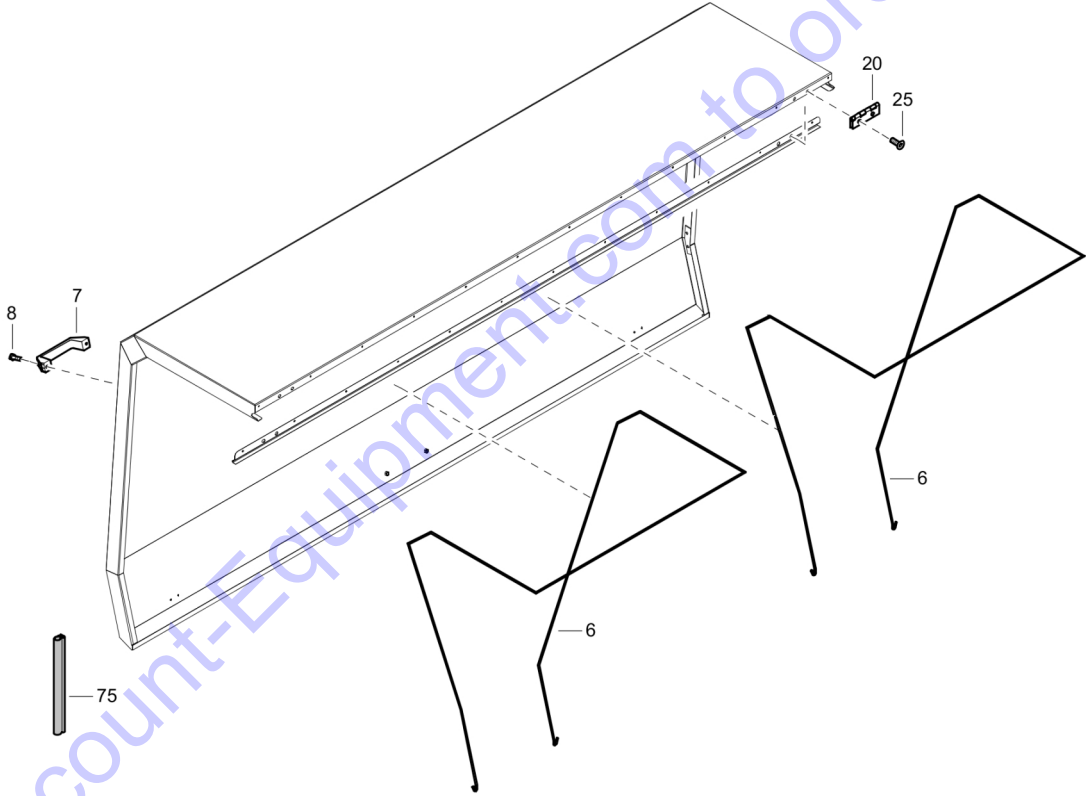
Go to Discount-Equipment.com to order your parts





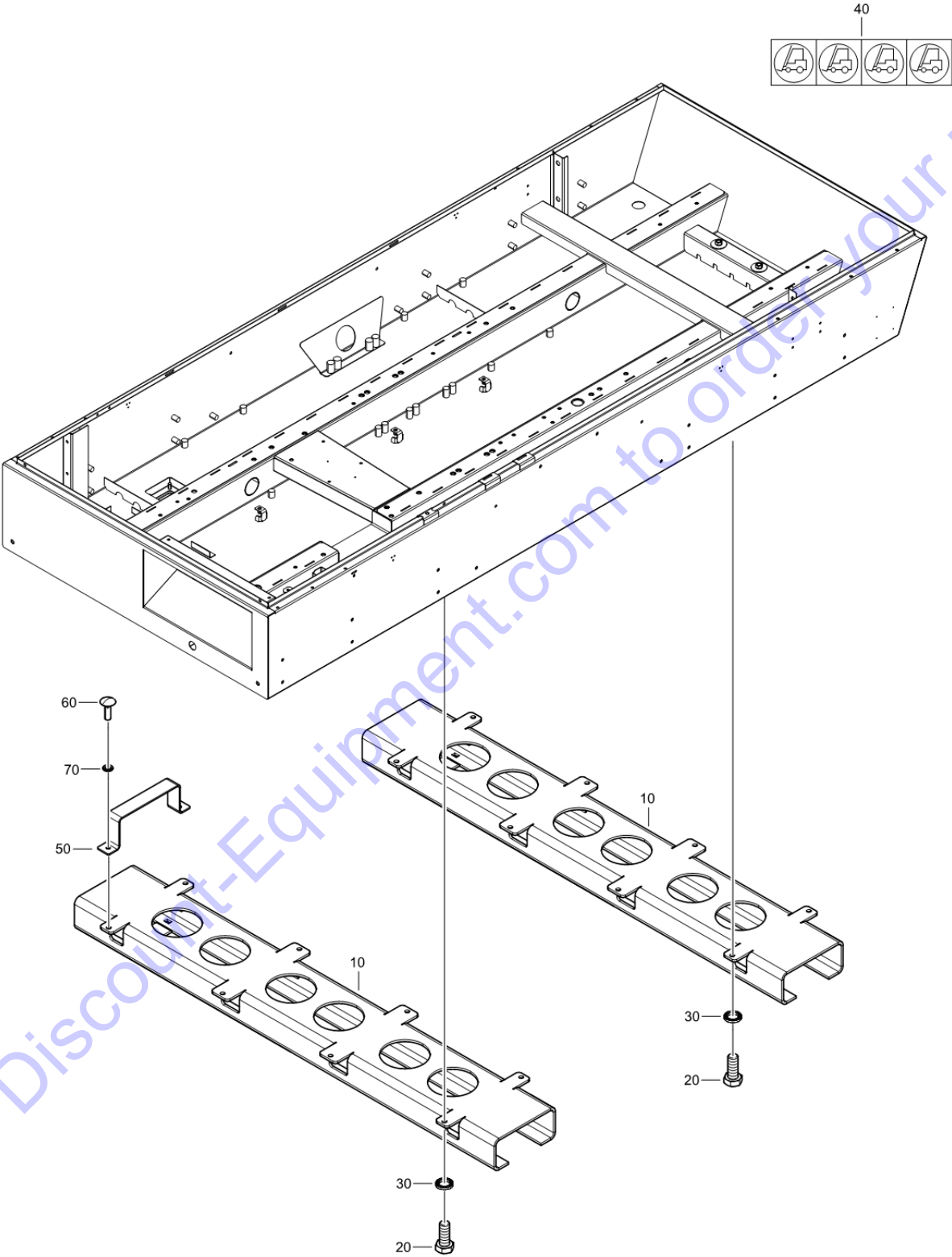
<b>Id</b>	<b>Qty</b>	<b>Number</b>	<b>Name</b>	<b>Specifications</b>
10	7	1615566400	HEX. HEAD SCREW	
30	4	0301231800	WASHER D5*10	
50	2	1619266500	SEAL-BODYWORK:ZT/ZR 45-55	
60	2	1638050500	GUARD	
130	1	1638939180	Door	
150	1	1638938500	Plate	

Go to Discount-Equipment.com to order your parts



<b>Id</b>	<b>Qty</b>	<b>Number</b>	<b>Name</b>	<b>Specifications</b>
6	4	1638128701	BAR ROUND	
7	2	1202867300	HANDGRIP	
8	4	0160608400	SLOTTED SCREW	
20	4	1615771200	Hinge	
25	8	0216132403	SCREW:M8X22,SOC HD,CS,\$STL	
75	2	1202658400	SEAL	

Go to Discount-Equipment.com to order your parts



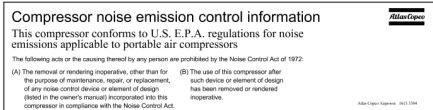
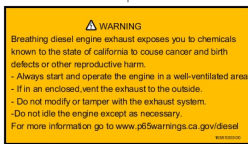
<b>Id</b>	<b>Qty</b>	<b>Number</b>	<b>Name</b>	<b>Specifications</b>
10	2	1638408601	FORKLIFT SLOT	
20	16	0147136203	HEX. SOCK. SCREW	
30	16	0333520013	WASHER LOCK	
40	1	1079990360	INFORMATION LABEL	
50	4	1638852800	BRACKET	
60	8	0017989203	HOUTDRAADBOUT DIA 12X120	
70	8	0302127402	WASHER-FLAT:M12.5/35.0X3.0T	

Go to Discount-Equipment.com to order your parts



50

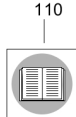
220



210

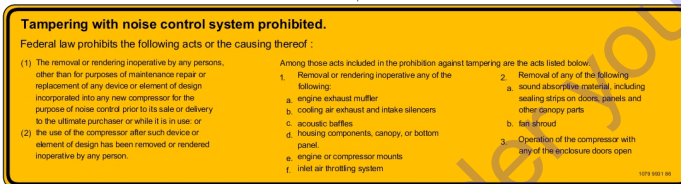


120

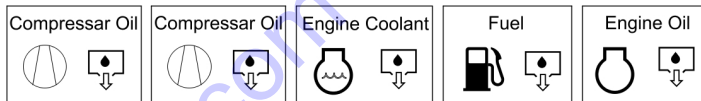


110

200

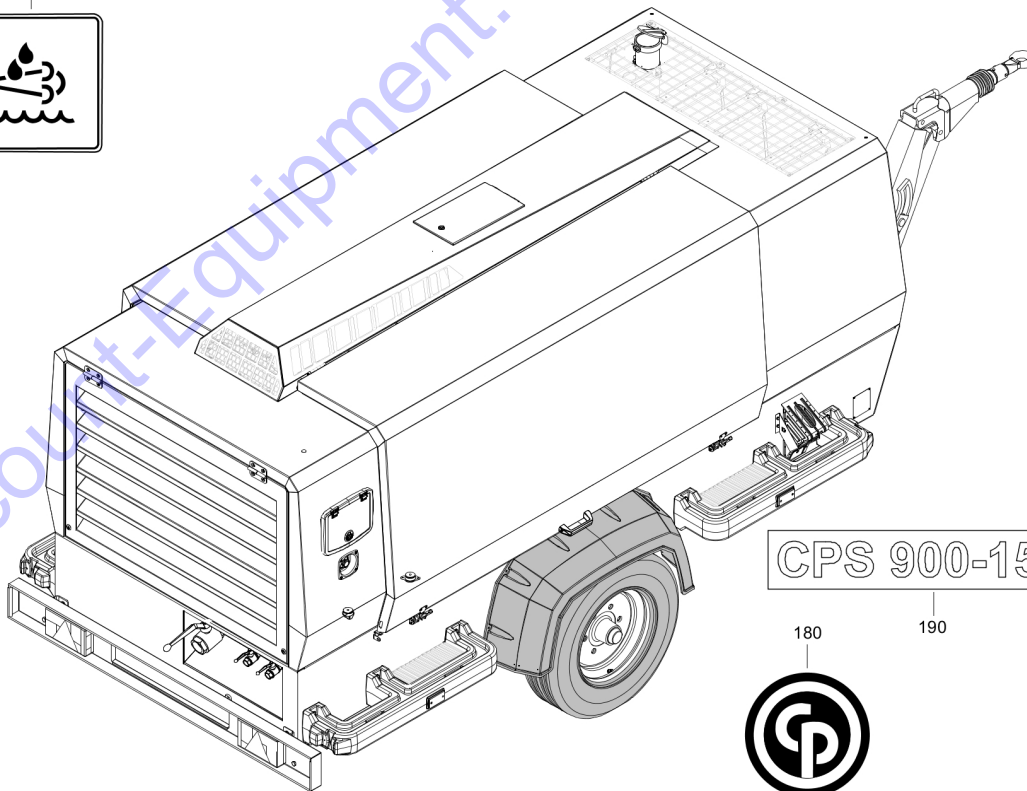


45



70

130



CPS 900-150

180

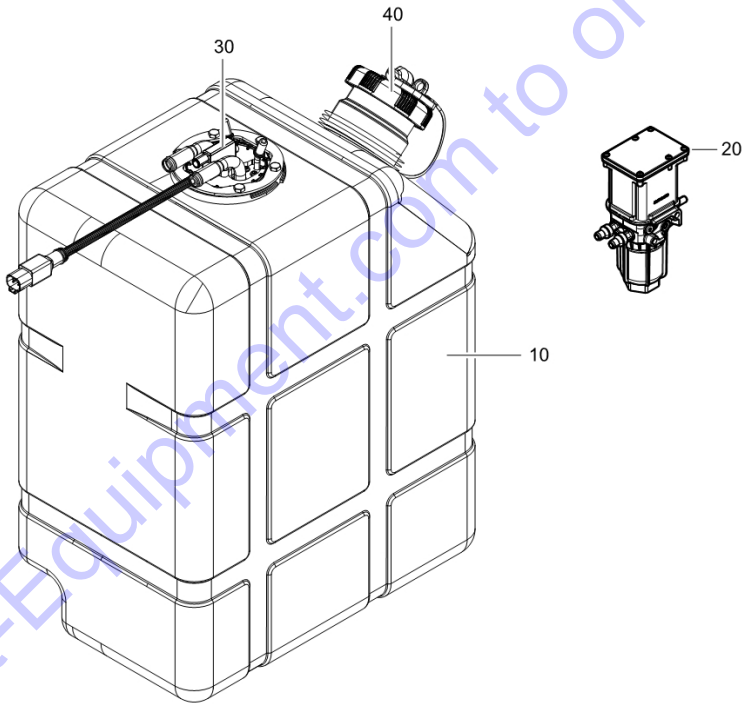
190



<b>Id</b>	<b>Qty</b>	<b>Number</b>	<b>Name</b>	<b>Specifications</b>
45	1	1638640401	DECAL SYMBOLS	
50	1	1638292500	DECAL WARNING	
70	1	1638662500	DECAL	
110	1	1079992207	INFORMATION LABEL	
120	1	1638589110	DECAL	
130	1	1638024700	DECAL SYMBOLS	
180	2	1626537304	LABEL CP LOGO	
190	2	1626479439	ADHESIVE (DIESEL)_LABEL	
200	1	1079993186	DECAL	
210	1	1613338400	DECAL	
220	1	1638530300	DECAL	

Go to Discount-Equipment.com to order your parts

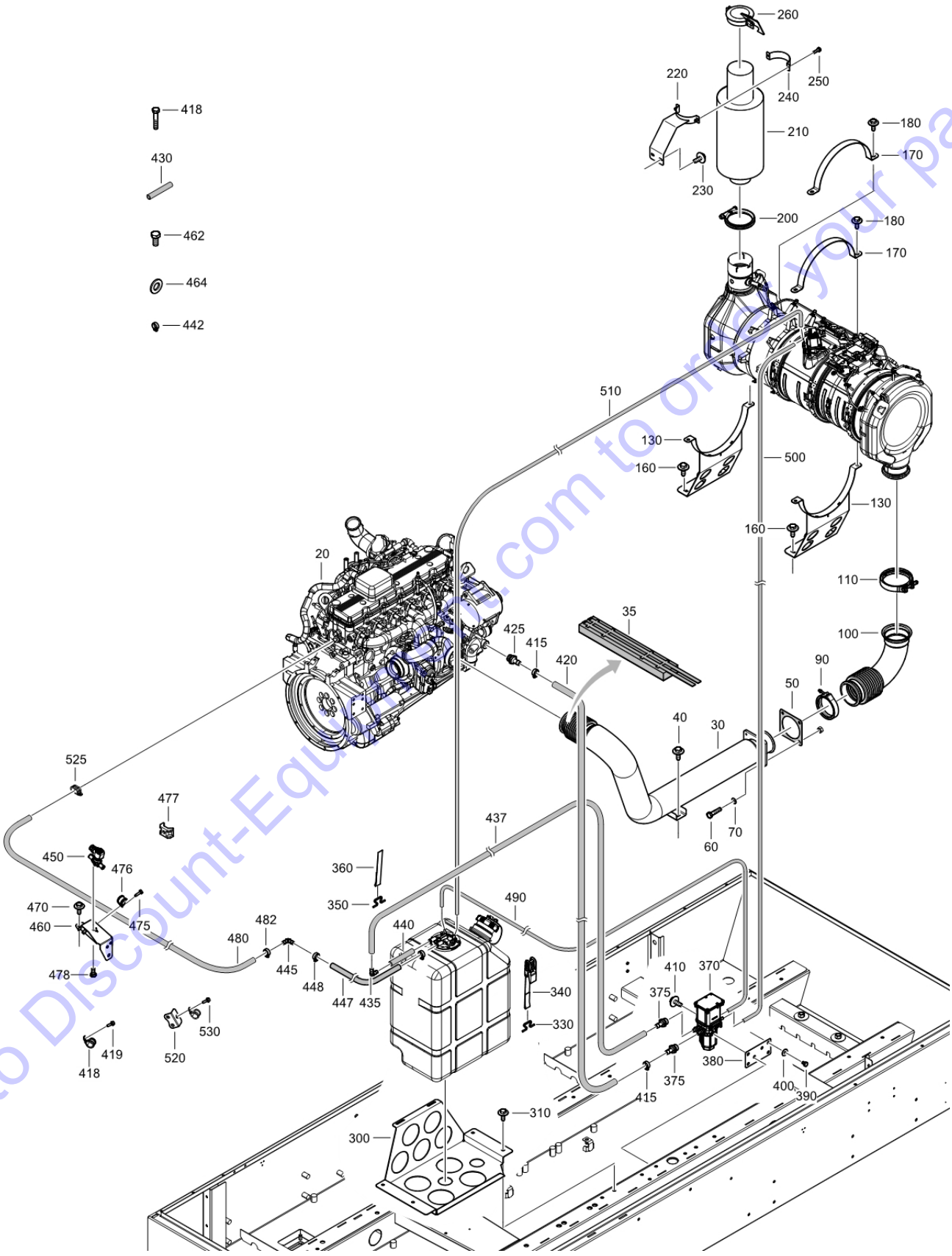




Go to Discount-Equipment.com to order your parts

<b>Id</b>	<b>Qty</b>	<b>Number</b>	<b>Name</b>	<b>Specifications</b>
10	1	2913000243	DEF TANK FILLER PORT FILTER	
20	1	2913000244	DEF TANK	
30	1	2913000245	FILLER CAP	
40	1	2913000246	HEADER DEF TANK	

Go to Discount-Equipment.com to order your parts

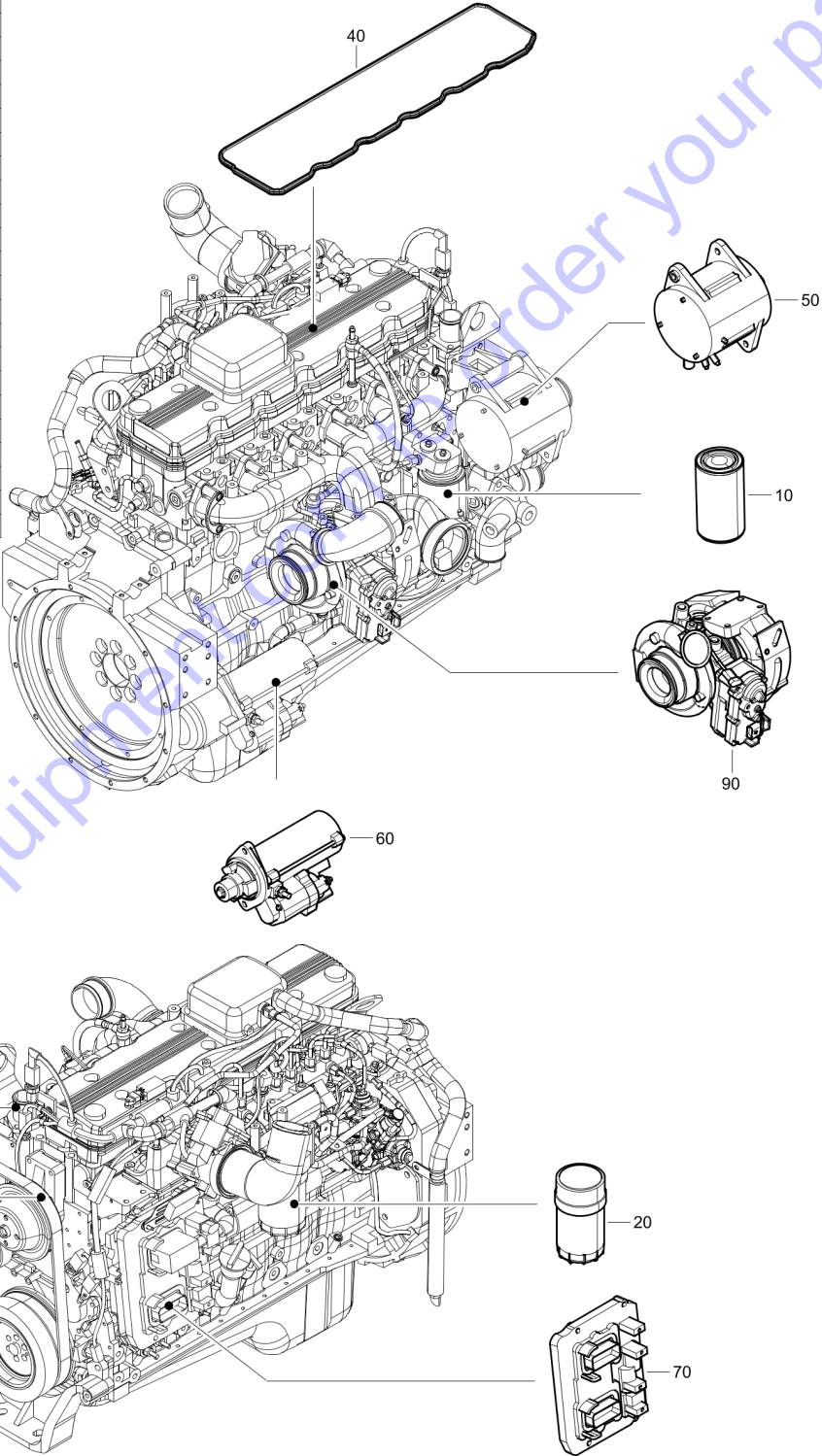


Id	Qty	Number	Name	Specifications
20	1	1638384600	ENGINE STAGE V	
30	1	1638400104	EXHAUST	
35	1	1638681101	HEAT BLANKET	
40	2	1615566400	HEX. HEAD SCREW	
50	1	1638501600	GASKET	
60	4	0147132603	SCREW:M 8X 30;HEX HD,ZN PLT,\$S	
70	4	0301233500	PLAIN WASHER(A) 8.4 X 16 X 1.6	
90	1	1638600900	CLAMP	
100	1	1638400202	PIPE	
110	1	1638571501	CLAMP	
130	2	1638402701	SUPPORT	
160	4	1615566400	HEX. HEAD SCREW	
170	2	1638402600	SUPPORT	
180	4	1615566400	HEX. HEAD SCREW	
200	1	0346300104	PIPE CLAMP	
210	1	1638576800	MUFFLER	
220	1	1638511202	BRACKET	
230	2	1615566400	HEX. HEAD SCREW	
240	1	1626550401	BRACKET	
250	2	0147132503	SCREW:M 8X 25;HEX HD,ZN PLT,\$S	
260	1	1615881700	COVER EXHAUST	
300	1	1638501000	SUPPORT	
310	4	1615566400	HEX. HEAD SCREW	
330	2	1626360700	RETAINER	
340	2	1638293400	BELT FLAT	
350	2	1626360700	RETAINER	
360	2	1616461501	STRAP	
370	1	1638385700	PUMP	
375	2	1638547300	CONNECTOR	
380	1	1638500901	SUPPORT	
390	2	0147132303	BOLT M8*20 FZB	
400	2	0301233500	PLAIN WASHER(A) 8.4 X 16 X 1.6	
410	4	1615566400	HEX. HEAD SCREW	
415	12	0347610038	HOSE CLIP	
418	3	0346100210	CLAMP	
419	2	1619533701	SCR.BOLT M8X30 MD50/600A	
420	1	0072840316	TUBE	
425	1	1626115100	NIPPLE LUBRIC.	
430	2	0072840316	TUBE	
435	1	0571001013	NIPPLE	
437	1	0072840316	TUBE	
440	1	0072840316	TUBE	
442	2	0347610500	HOSE CLAMP TYPE A D=16	
445	1	0571001013	NIPPLE	
447	1	0072840316	TUBE	
448	1	0347610500	HOSE CLAMP TYPE A D=16	
450	1	1638385800	EXHAUST TREATMENT SYSTEM	
460	1	1638534100	SUPPORT	
462	2	0147139803	HEX. HEAD SCREW	

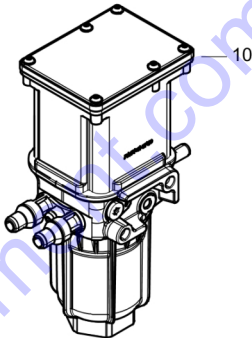
Id	Qty	Number	Name	Specifications
464	1	0301235800	PLAIN WASHER(A) 13 X 24 X 2.5	
470	1	1615566400	HEX. HEAD SCREW	
475	1	0147140003	PARAF.SEXT. M12X25 MM FZB	
476	1	1613080108	CLAMP	
477	1	0348011003	PLATE ANCHOR	
478	2	0147120403	PARAF.SEXT. M5X10MM FZB	
480	1	0072840316	TUBE	
482	1	0347610500	HOSE CLAMP TYPE A D=16	
490	1	1638546300	ADBLUE SUCTION LINE	
500	1	1638546400	ADBLUE PRESSURE LINE	
510	1	1638546500	ADBLUE RETURN LINE	
520	1	1638559900	SUPPORT	
525	1	0346100241	CLAMP	
530	1	1619533701	SCR.BOLT M8X30 MD50/600A	

Go to Discount-Equipment.com to order your parts

Not Illustrated			
Ref	Part Number	Designation	Qty
100	2913000197	MODULE, DOC INLET	1
110	2913000198	GASKET, CIRCULAR	3
120	2913000199	MODULE, DPF CATALYST	1
130	2913000201	MODULE, REACTOR	1
140	2913000202	MODULE, SCR OUTLET	1
150	2913000196	CLAMP, V BAND	3
160	2913000203	NUT	3
170	2913000204	BRACKET, SENSOR	1
180	2913000205	INSULATION	1
190	2913000206	BRACKET, SENSOR	1
200	2913000207	SENSOR, DIFFERENTIAL	1
210	2913000208	SENSOR, TEMPERATURE	1
220	2913000209	SENSOR, NITROGEN	1
230	2913000209	SENSOR, NITROGEN	1
240	2913000211	MODULE, PRESSURE	1
250	2913000212	MODULE, PRESSURE	1
260	2913000213	GASKET, IRREGULAR	1
270	2913000214	INJECTOR, DOSER	1
280	2913000215	BOLT	8
290	2913000216	BOLT	2
300	2913000217	BOLT	2
310	2913000218	SCREW	3
320	2913000219	TIE, CABLE	14
330	2913000220	CLAMP, BAND	1
340	2913000221	CLAMP, BAND	2
350	2913000222	NUT	2
360	2913000223	TIE, CABLE	4



Id	Qty	Number	Name	Specifications
10	1	2914851400	FILTER OIL	
20	1	2913000036	FUEL FILTER ELEMENT	
30	1	2913000037	V-BELT	
40	1	2913000038	ROCKER COVER GASKET	
50	1	2913000039	CHARGING ALTERNATOR	
60	1	2913000040	STARTER MOTOR	
70	1	2913000041	ECU	
80	1	2913000042	THERMOSTATIC VALVE	
90	1	2913000043	TURBOCHARGER	
100	1	2913000197	MODULE, DOC INLET	
110	3	2913000198	GASKET, CIRCULAR	
120	1	2913000199	MODULE, DPF CATALYST	
130	1	2913000201	MODULE, REACTOR DECOMPOSITION	
140	1	2913000202	MODULE, SCR OUTLET	
150	3	2913000196	CLAMP, V BAND	
160	3	2913000203	NUT	
170	1	2913000204	BRACKET, SENSOR SUPPORT	
180	1	2913000205	INSULATION	
190	1	2913000206	BRACKET, SENSOR SUPPORT	
200	1	2913000207	SENSOR, DIFFERENTIAL PRESSURE	
210	1	2913000208	SENSOR, TEMPERATURE	
220	1	2913000209	SENSOR, NITROGEN OXIDE	
230	1	2913000209	SENSOR, NITROGEN OXIDE	
240	1	2913000211	MODULE, PRESSURE SENSING	
250	1	2913000212	MODULE, PRESSURE SENSING	
260	1	2913000213	GASKET, IRREGULAR	
270	1	2913000214	INJECTOR, DOSER	
280	8	2913000215	BOLT	
290	2	2913000216	BOLT	
300	2	2913000217	BOLT	
310	3	2913000218	SCREW	
320	14	2913000219	TIE, CABLE	
330	1	2913000220	CLAMP, BAND	
340	2	2913000221	CLAMP, BAND	
350	2	2913000222	NUT	
360	4	2913000223	TIE, CABLE	



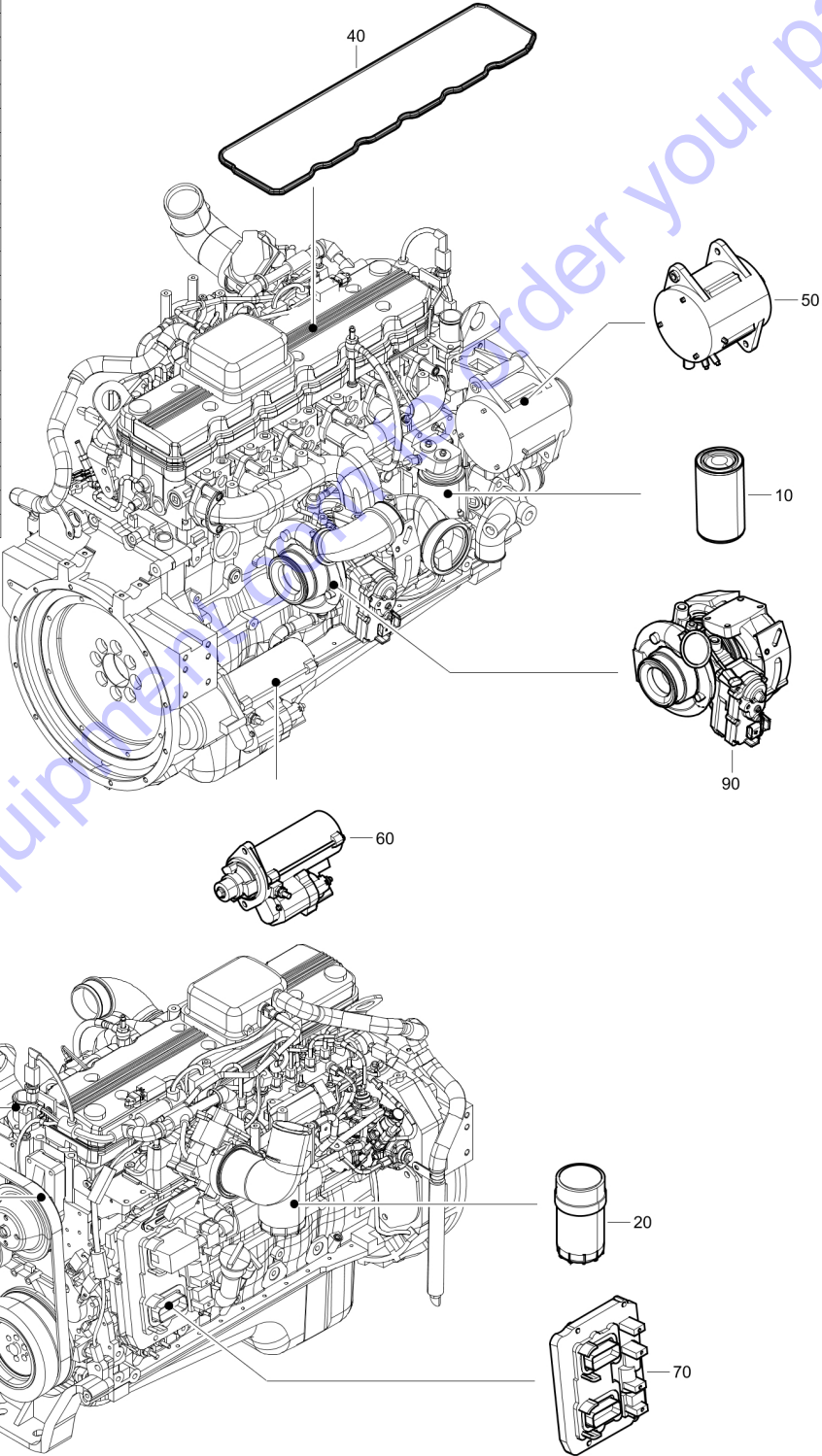
Go to Discount-Equipment.com to order your parts



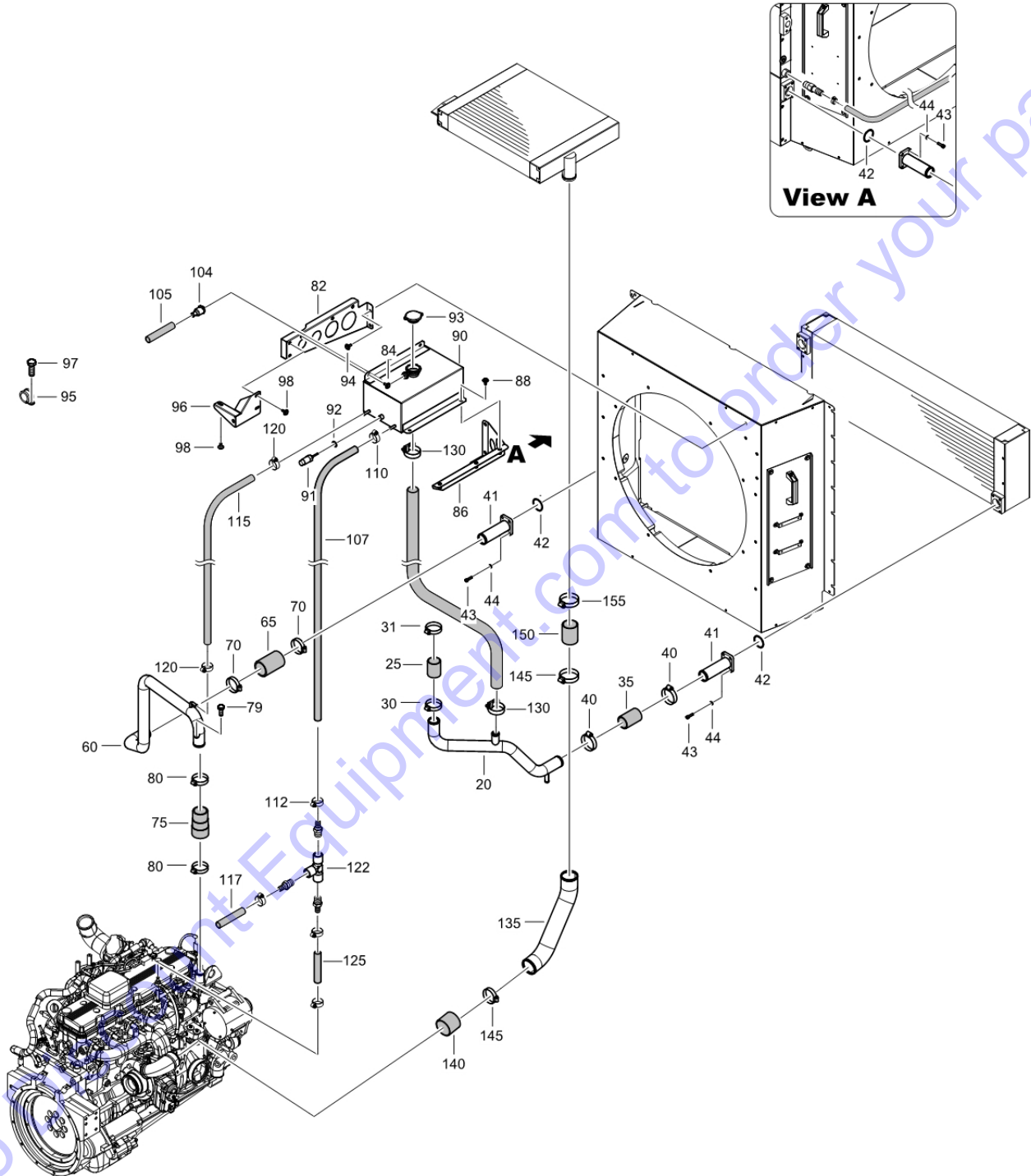
Id	Qty	Number	Name	Specifications
10	1	2913000050	DEF FILTER	

Go to Discount-Equipment.com to order your parts

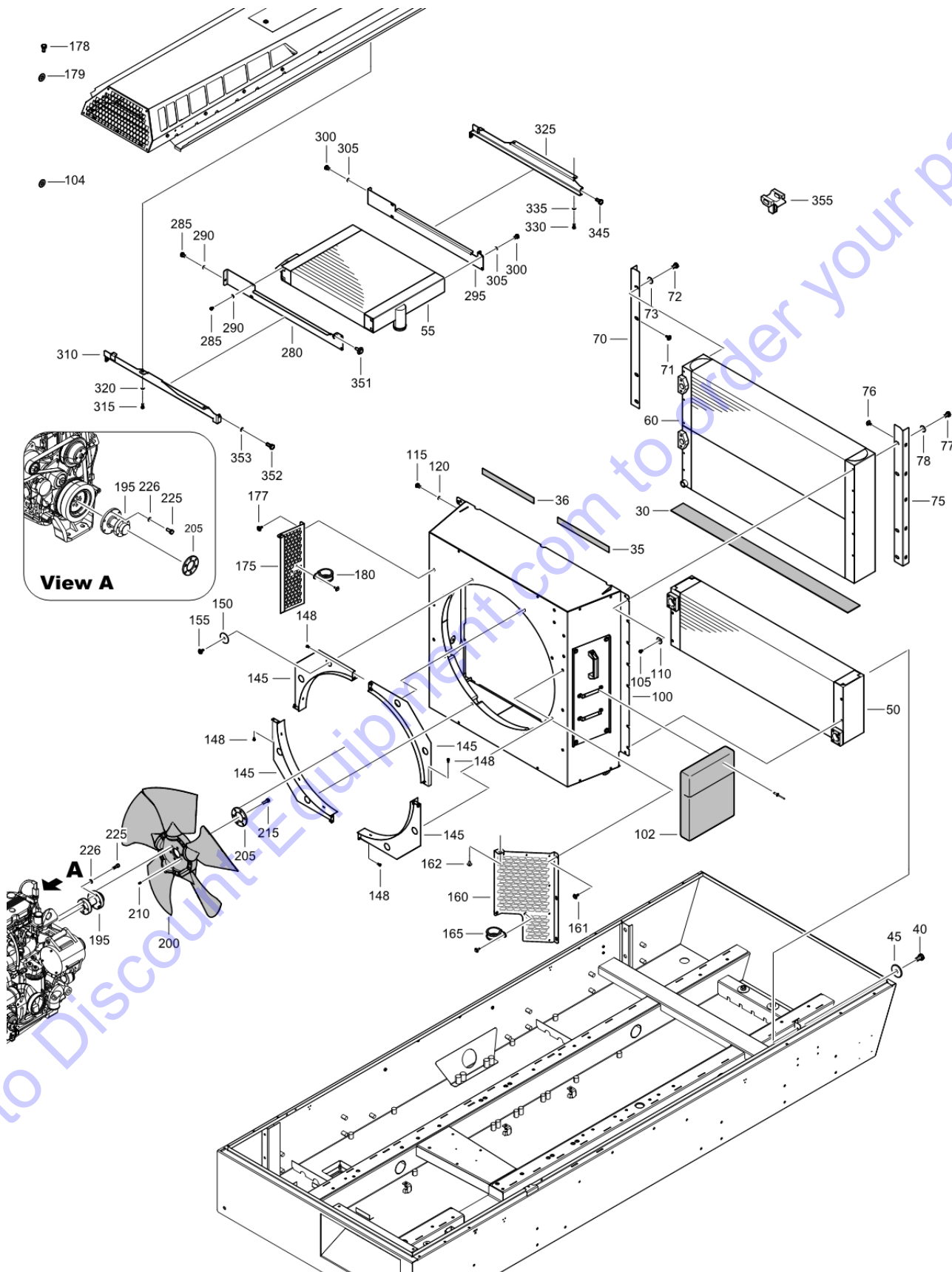
Not Illustrated			
Ref	Part Number	Designation	Qty
100	2913000197	MODULE, DOC INLET	1
110	2913000198	GASKET, CIRCULAR	3
120	2913000199	MODULE, DPF CATALYST	1
130	2913000201	MODULE, REACTOR	1
140	2913000202	MODULE, SCR OUTLET	1
150	2913000196	CLAMP, V BAND	3
160	2913000203	NUT	3
170	2913000204	BRACKET, SENSOR	1
180	2913000205	INSULATION	1
190	2913000206	BRACKET, SENSOR	1
200	2913000207	SENSOR, DIFFERENTIAL	1
210	2913000208	SENSOR, TEMPERATURE	1
220	2913000209	SENSOR, NITROGEN	1
230	2913000209	SENSOR, NITROGEN	1
240	2913000211	MODULE, PRESSURE	1
250	2913000212	MODULE, PRESSURE	1
260	2913000213	GASKET, IRREGULAR	1
270	2913000214	INJECTOR, DOSER	1
280	2913000215	BOLT	8
290	2913000216	BOLT	2
300	2913000217	BOLT	2
310	2913000218	SCREW	3
320	2913000219	TIE, CABLE	14
330	2913000220	CLAMP, BAND	1
340	2913000221	CLAMP, BAND	2
350	2913000222	NUT	2
360	2913000223	TIE, CABLE	4



Id	Qty	Number	Name	Specifications
10	1	2914851400	FILTER OIL	
20	1	2913000036	FUEL FILTER ELEMENT	
30	1	2913000037	V-BELT	
40	1	2913000038	ROCKER COVER GASKET	
50	1	2913000039	CHARGING ALTERNATOR	
60	1	2913000040	STARTER MOTOR	
70	1	2913000041	ECU	
80	1	2913000042	THERMOSTATIC VALVE	
90	1	2913000043	TURBOCHARGER	
100	1	2913000197	MODULE, DOC INLET	
110	3	2913000198	GASKET, CIRCULAR	
120	1	2913000199	MODULE, DPF CATALYST	
130	1	2913000201	MODULE, REACTOR DECOMPOSITION	
140	1	2913000202	MODULE, SCR OUTLET	
150	3	2913000196	CLAMP, V BAND	
160	3	2913000203	NUT	
170	1	2913000204	BRACKET, SENSOR SUPPORT	
180	1	2913000205	INSULATION	
190	1	2913000206	BRACKET, SENSOR SUPPORT	
200	1	2913000207	SENSOR, DIFFERENTIAL PRESSURE	
210	1	2913000208	SENSOR, TEMPERATURE	
220	1	2913000209	SENSOR, NITROGEN OXIDE	
230	1	2913000209	SENSOR, NITROGEN OXIDE	
240	1	2913000211	MODULE, PRESSURE SENSING	
250	1	2913000212	MODULE, PRESSURE SENSING	
260	1	2913000213	GASKET, IRREGULAR	
270	1	2913000214	INJECTOR, DOSER	
280	8	2913000215	BOLT	
290	2	2913000216	BOLT	
300	2	2913000217	BOLT	
310	3	2913000218	SCREW	
320	14	2913000219	TIE, CABLE	
330	1	2913000220	CLAMP, BAND	
340	2	2913000221	CLAMP, BAND	
350	2	2913000222	NUT	
360	4	2913000223	TIE, CABLE	



Id	Qty	Number	Name	Specifications
20	1	1638444802	PIPE RADIATOR	
25	1	1638448500	HOSE	
30	1	0347610019	HOSE CLAMP	
31	1	0347610020	HOSE CLIP	
35	1	1604128001	HOSE	
40	2	0347610019	HOSE CLAMP	
41	2	1638445000	PIPE RADIATOR	
42	2	0663713500	O-RING	
43	8	0211132603	HEX SOCK. SCREW M8 X 30	
44	8	0301233500	PLAIN WASHER(A) 8.4 X 16 X 1.6	
60	1	1638444901	PIPE	
65	1	1604128001	HOSE	
70	2	0347610019	HOSE CLAMP	
75	1	1638655900	REDUCER	
79	3	1619276600	SCREW-SELF TAP:M 8X 20 HEX HD,	
80	2	0347610019	HOSE CLAMP	
82	1	1638518102	SUPPORT	
84	2	1615566400	HEX. HEAD SCREW	
86	1	1638518202	SUPPORT	
88	2	1615566400	HEX. HEAD SCREW	
90	1	1638038801	TANK WATER	
91	1	1089065963	LEVEL SWITCH	
92	1	0661102300	SEALING WASHER	
93	1	1626987101	CAP PIPE	
94	4	1615566400	HEX. HEAD SCREW	
95	1	0346100015	PIPE CLAMP	
96	1	1638518302	SUPPORT	
97	1	0147132303	BOLT M8*20 FZB	
98	3	1615566400	HEX. HEAD SCREW	
104	1	0571023108	FITTING PIPE	
105	1	0071840290	FUEL HOSE	
107	1	0071840290	FUEL HOSE	
110	1	0347610400	HOSE CLAMP	
112	1	0347610400	HOSE CLAMP	
115	1	0071840290	FUEL HOSE	
117	1	0071840290	FUEL HOSE	
120	2	0347610400	HOSE CLAMP	
122	1	0583814093	TEE COUPLING	
125	1	0075402536	HOSE	
130	2	0347611000	CLAMP-HOSE:M27/47D WORM TYPE	
135	1	1638445100	PIPE CAC	
140	1	1638213601	HOSE	
145	2	0347610021	HOSE CLAMP	
150	1	1638448400	HOSE	
155	2	0347610021	HOSE CLAMP	



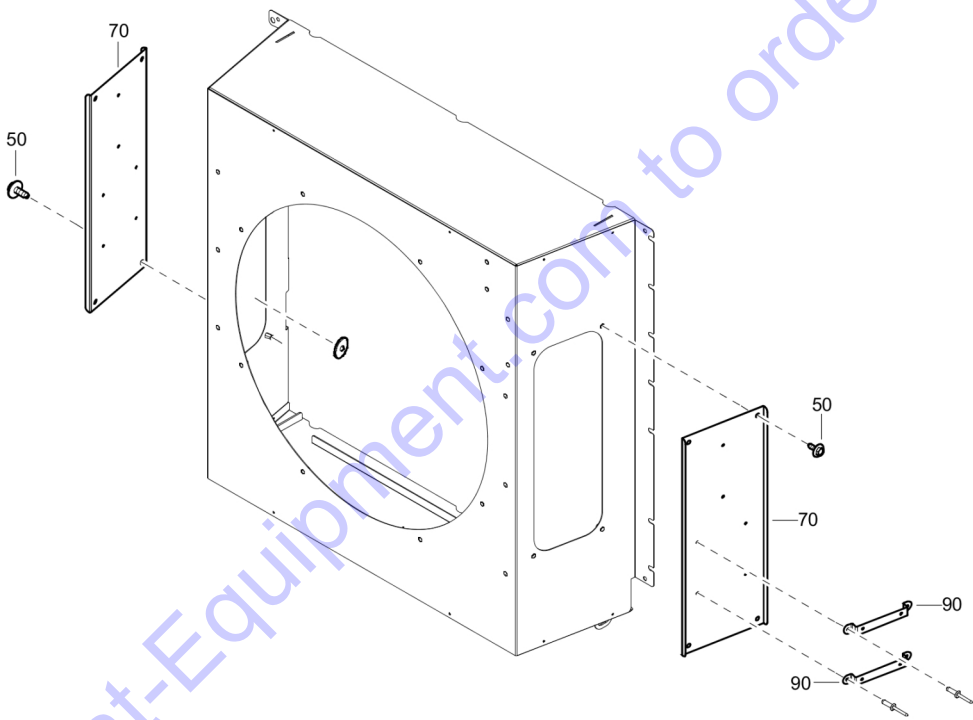
Go to DiscountEquipment.com to order your parts

Id	Qty	Number	Name	Specifications
30	1	1638581000	PAD	
35	2	1604127500	SEAL	
36	2	1604127500	SEAL	
40	4	0147132203	HEX. HEAD SCREW M8 X 16	
45	4	0300027491	WASHER	
50	1	1638502101	RADIATOR	
55	1	1638507501	COOLER	
60	1	1638502002	COOLER	
70	1	1638503201	PLATE	
71	5	1615566400	HEX. HEAD SCREW	
72	4	0147132203	HEX. HEAD SCREW M8 X 16	
73	4	1607852396	PLAIN WASHER	
75	1	1638503301	PLATE	
76	5	1615566400	HEX. HEAD SCREW	
77	4	0147132203	HEX. HEAD SCREW M8 X 16	
78	4	1607852396	PLAIN WASHER	
100	1	1638503681	COWL	
102	1	1604220600	HOLDER	
104	4	0300801900	WIDE FLAT WASHER 5/16"TX(TB)	
105	7	0147132203	HEX. HEAD SCREW M8 X 16	
110	7	0300027491	WASHER	
115	7	0147132203	HEX. HEAD SCREW M8 X 16	
120	7	0300027491	WASHER	
145	4	1638564601	RING	
148	8	0147124603	HEX. HEAD SCREW M6 X 16	
150	8	1638070300	WASHER PLAIN	
155	8	1615566400	HEX. HEAD SCREW	
160	1	1638508104	GRATING	
161	1	1615566400	HEX. HEAD SCREW	
162	3	1615566400	HEX. HEAD SCREW	
165	1	1613080104	CLAMP	
175	1	1638557602	FAN GRATING	
177	3	1615566400	HEX. HEAD SCREW	
178	1	0147132203	HEX. HEAD SCREW M8 X 16	
179	1	0301233500	PLAIN WASHER(A) 8.4 X 16 X 1.6	
180	1	0346290012	CLAMP PIPE	
195	1	1638519900	SPACER	
200	1	1638508000	FAN	
205	1	1615543900	RING CLAMPING	
210	1	0108132000	SPRING PIN	
215	6	0147136503	HEXAGON BOLT	
225	4	0147136503	HEXAGON BOLT	
226	4	0301234400	Toothed washer	
280	1	1638007901	BRACKET	
285	6	0147132203	HEX. HEAD SCREW M8 X 16	
290	6	0301233500	PLAIN WASHER(A) 8.4 X 16 X 1.6	
295	1	1638008002	BRACKET	
300	6	0147132203	HEX. HEAD SCREW M8 X 16	
305	6	0301233500	PLAIN WASHER(A) 8.4 X 16 X 1.6	

Id	Qty	Number	Name	Specifications
310	1	1638008104	BRACKET	
315	2	1619276600	SCREW-SELF TAP:M 8X 20 HEX HD,	
320	2	0301233500	PLAIN WASHER(A) 8.4 X 16 X 1.6	
325	1	1638008201	BRACKET	
330	2	0147132503	SCREW:M 8X 25;HEX HD,ZN PLT,\$S	
335	2	0301233500	PLAIN WASHER(A) 8.4 X 16 X 1.6	
345	4	0147132203	HEX. HEAD SCREW M8 X 16	
351	3	1615566400	HEX. HEAD SCREW	
352	2	0147132203	HEX. HEAD SCREW M8 X 16	
353	2	0301233500	PLAIN WASHER(A) 8.4 X 16 X 1.6	

Go to Discount-Equipment.com to order your parts

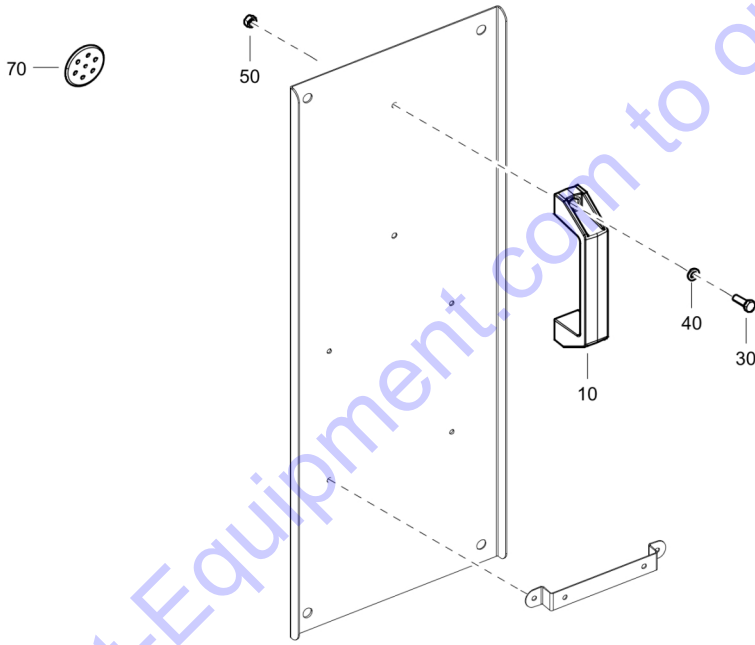




Go to Discount-Equipment.com to order your parts

<b>Id</b>	<b>Qty</b>	<b>Number</b>	<b>Name</b>	<b>Specifications</b>
50	8	1615566400	HEX. HEAD SCREW	
70	2	1638503781	DOOR	
90	2	1638564300	Bracket	

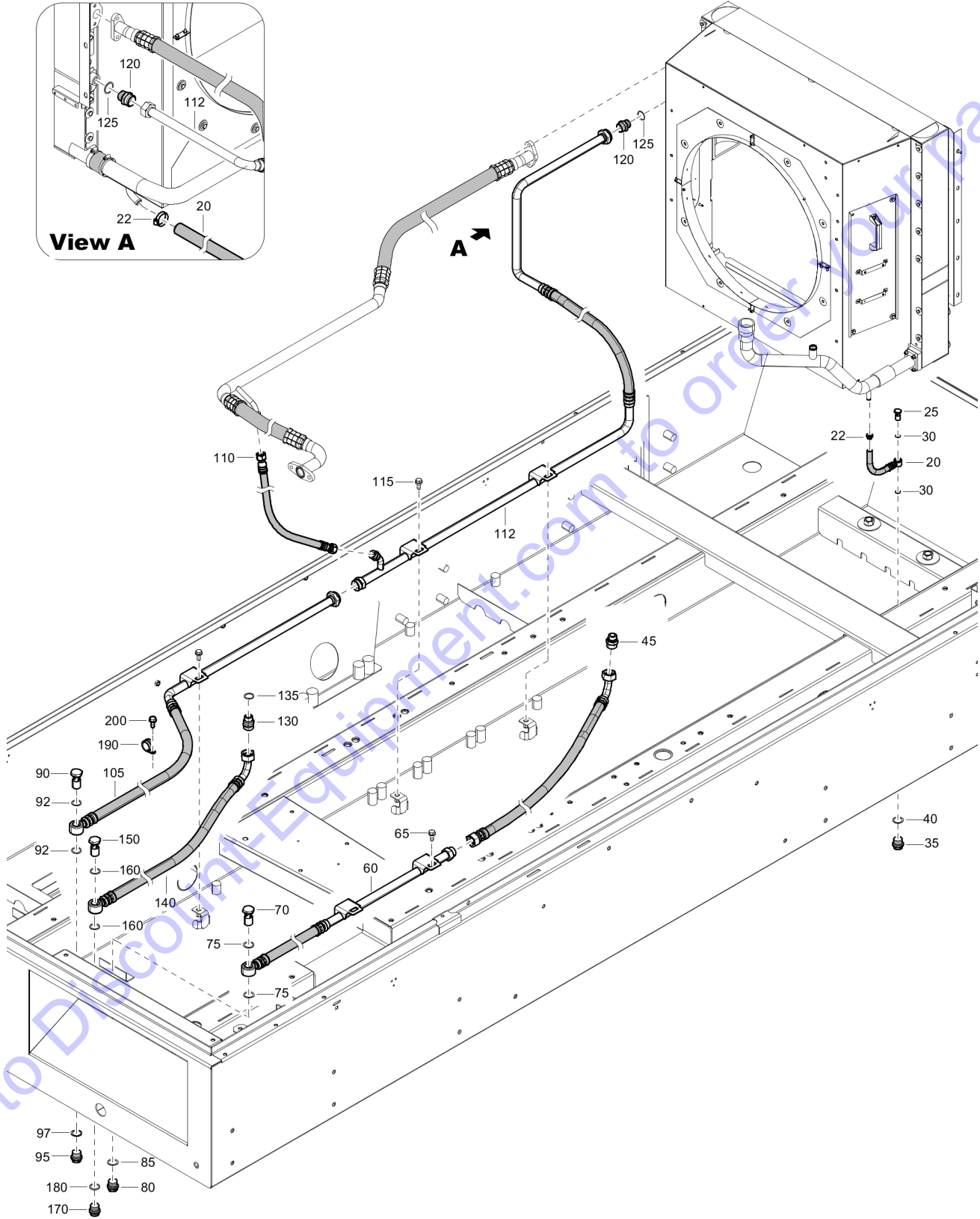
Go to Discount-Equipment.com to order your parts



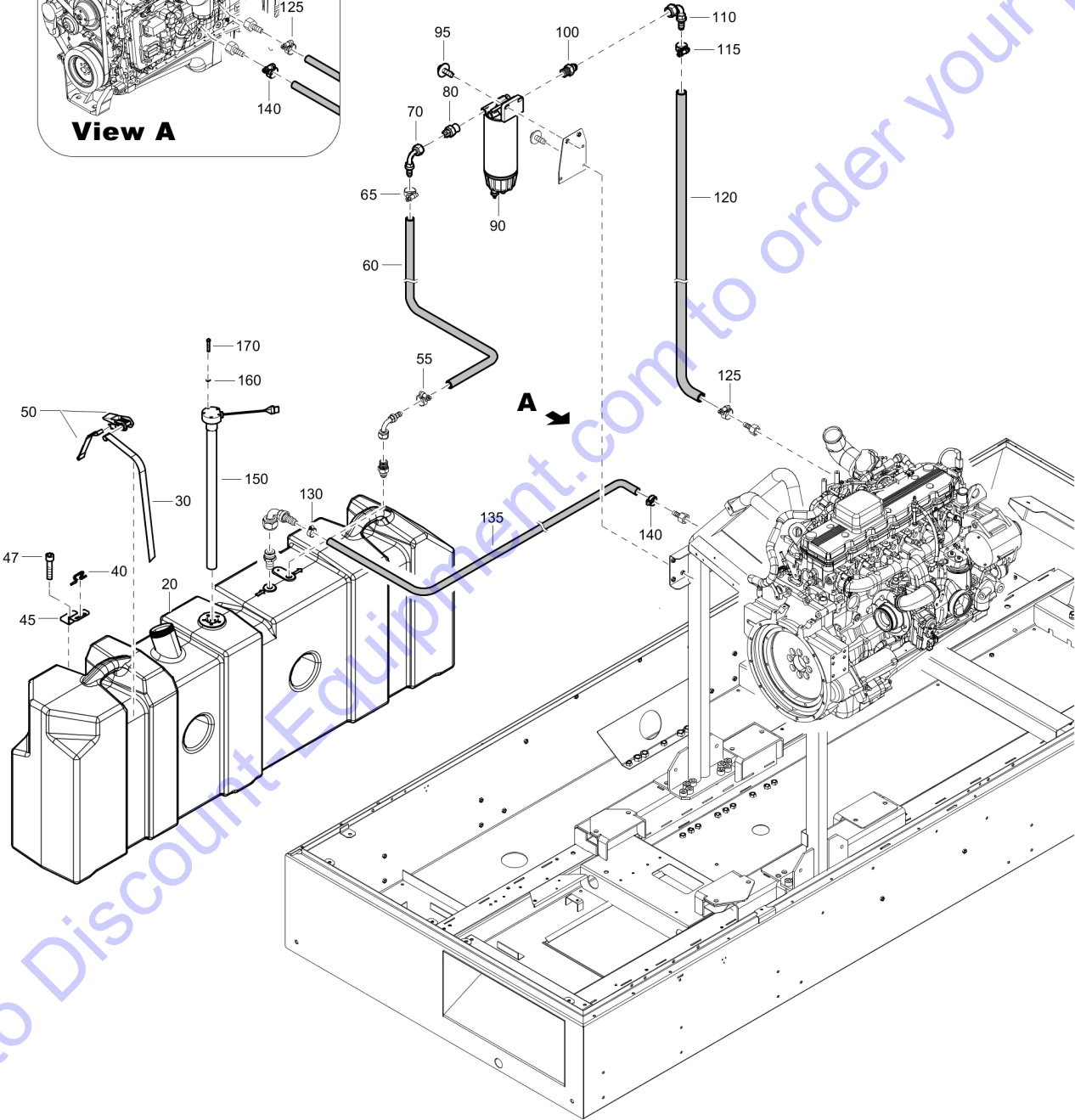
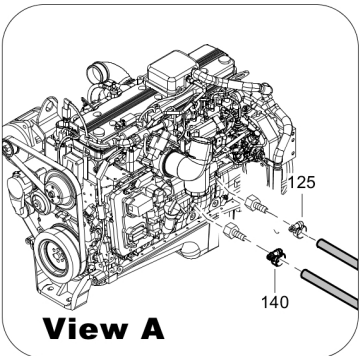
Go to Discount-Equipment.com to order your parts

<b>Id</b>	<b>Qty</b>	<b>Number</b>	<b>Name</b>	<b>Specifications</b>
10	2	1202867300	HANDGRIP	
30	4	0147124703	PARAF M6X20 DIN933 8.8 FZB	
40	4	0301232100	PLAIN WASHER(A) 6.4 X 12 X 1.6	
50	4	0266210800	NUT:M 6.0DX 5.2H HEX,ZN PLT,\$S	
70	4	1615788400	CLIP	

Go to Discount-Equipment.com to order your parts



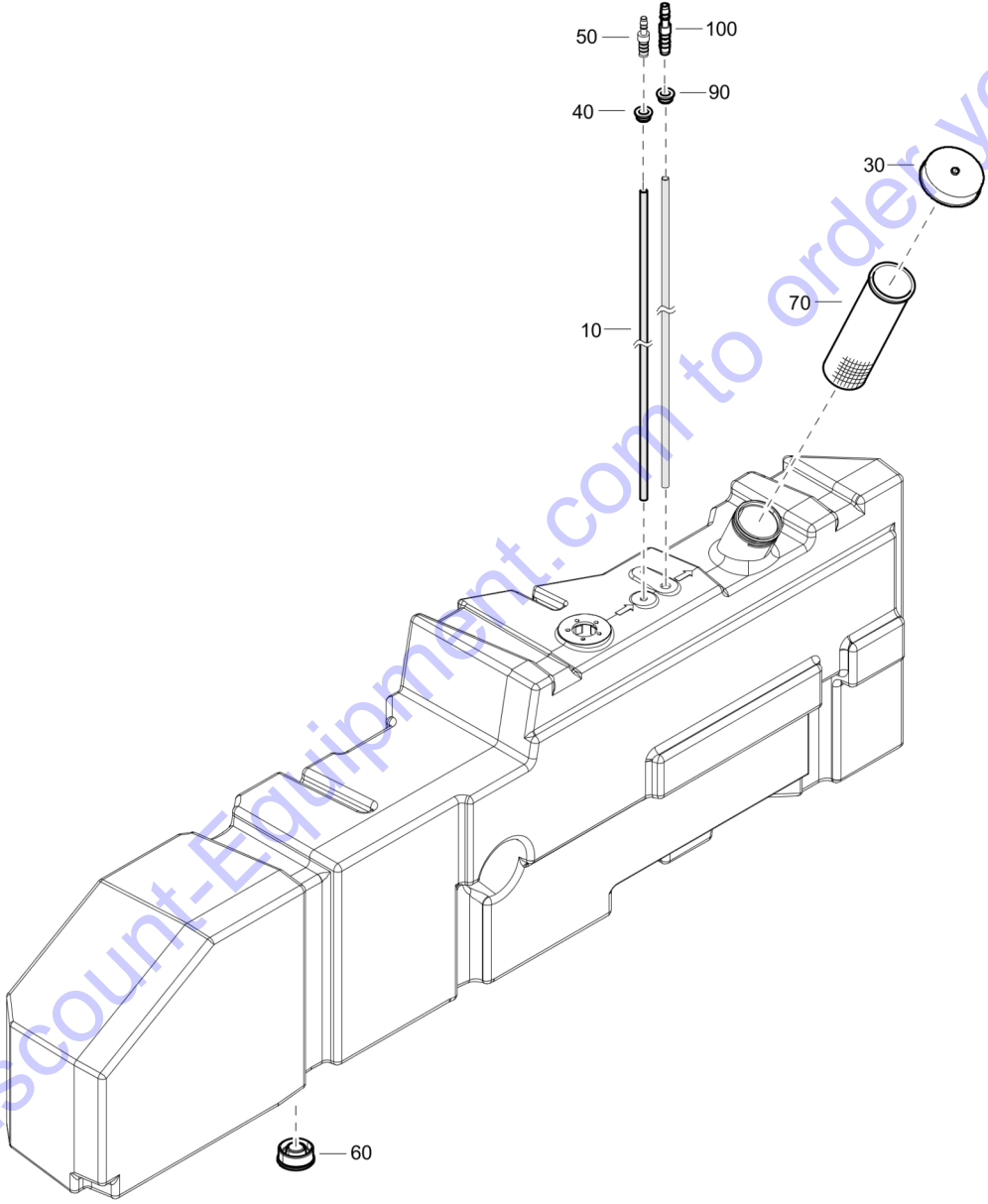
Id	Qty	Number	Name	Specifications
20	1	1638448701	HOSE ASSEMBLY	
22	1	0347610700	CLAMP	
25	1	0627510005	G1/2" HOLLOW SCREW	
30	2	0653112400	GASKET 21 X 26 X 1.5	
35	1	0686371602	PLUG G1/2"	
40	1	0653112400	GASKET 21 X 26 X 1.5	
45	1	0570702573	NIPPLE HEXAGON	
60	1	1638445501	HOSE ASSEMBLY	
65	1	1619276600	SCREW-SELF TAP:M 8X 20 HEX HD,	
70	1	0627510005	G1/2" HOLLOW SCREW	
75	2	0653112400	GASKET 21 X 26 X 1.5	
80	1	0686371602	PLUG G1/2"	
85	1	0653112400	GASKET 21 X 26 X 1.5	
90	1	0627510005	G1/2" HOLLOW SCREW	
92	2	0653112400	GASKET 21 X 26 X 1.5	
95	1	0686371602	PLUG G1/2"	
97	1	0653112400	GASKET 21 X 26 X 1.5	
105	1	1638445300	HOSE ASSEMBLY	
110	1	1638550601	HOSE ASSEMBLY	
112	1	1638445401	HOSE ASSEMBLY	
115	2	1619276600	SCREW-SELF TAP:M 8X 20 HEX HD,	
120	1	1619624900	NIPPLE	
125	1	0661103800	SEALING WASHER	
130	1	0571003633	FITTING PIPE	
135	1	0653112400	GASKET 21 X 26 X 1.5	
140	1	1638445600	HOSE ASSEMBLY	
150	1	0627510005	G1/2" HOLLOW SCREW	
160	2	0653112400	GASKET 21 X 26 X 1.5	
170	1	0686371602	PLUG G1/2"	
180	1	0653112400	GASKET 21 X 26 X 1.5	
190	2	0346100009	PIPE CLAMP	
200	2	1619276600	SCREW-SELF TAP:M 8X 20 HEX HD,	



Go to DiscountEquipment.com to order your parts

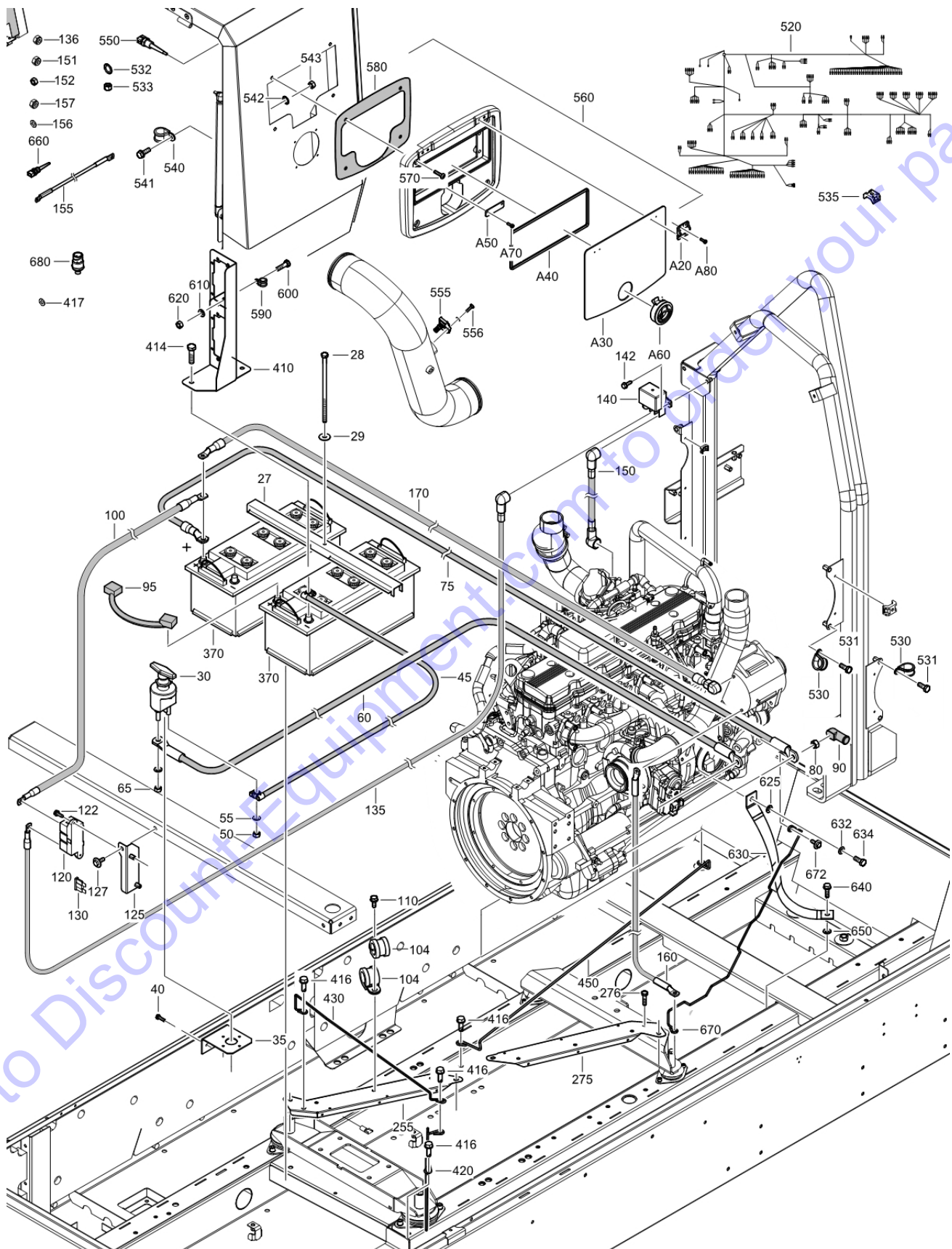
Id	Qty	Number	Name	Specifications
20	1	1638448880	TANK FUEL	
30	3	1616461501	STRAP	
40	6	1626360700	RETAINER	
45	1	1638618600	BRACKET	
47	1	0211133003	HEX SOCK. SCREW	
50	3	1638293400	BELT FLAT	
55	1	0347610400	HOSE CLAMP	
60		0075402569	HOSE:3/8" PUSH-LOK	
65	1	0347610400	HOSE CLAMP	
70	1	1604138400	HOSE NIPPLE	
80	1	3176382900	NIPPLE	
90	1	1604681200	FUELFILTER	
95	2	1604646600	BOLT	
100	1	3176382900	NIPPLE	
110	1	1604138400	HOSE NIPPLE	
115	1	0347610400	HOSE CLAMP	
120		0075402569	HOSE:3/8" PUSH-LOK	
125	1	0347610400	HOSE CLAMP	
130	1	0347610400	HOSE CLAMP	
135		0075402569	HOSE:3/8" PUSH-LOK	
140	1	0347610400	HOSE CLAMP	
150	1	1089065906	SWITCH	
160	5	0147121403	SCREW	
170	5	0301231800	WASHER D5*10	





<b>Id</b>	<b>Qty</b>	<b>Number</b>	<b>Name</b>	<b>Specifications</b>
10		1638251600	TUBE	
30	1	1615765302	CAP	
40	1	1615648000	GROMMET	
50	1	1604026600	REDUCTION	
60	1	1615557700	PLUG	
70	1	1615765400	STRAINER	
90	1	1638218700	GROMMET	
100	1	1638559200	Reducer	

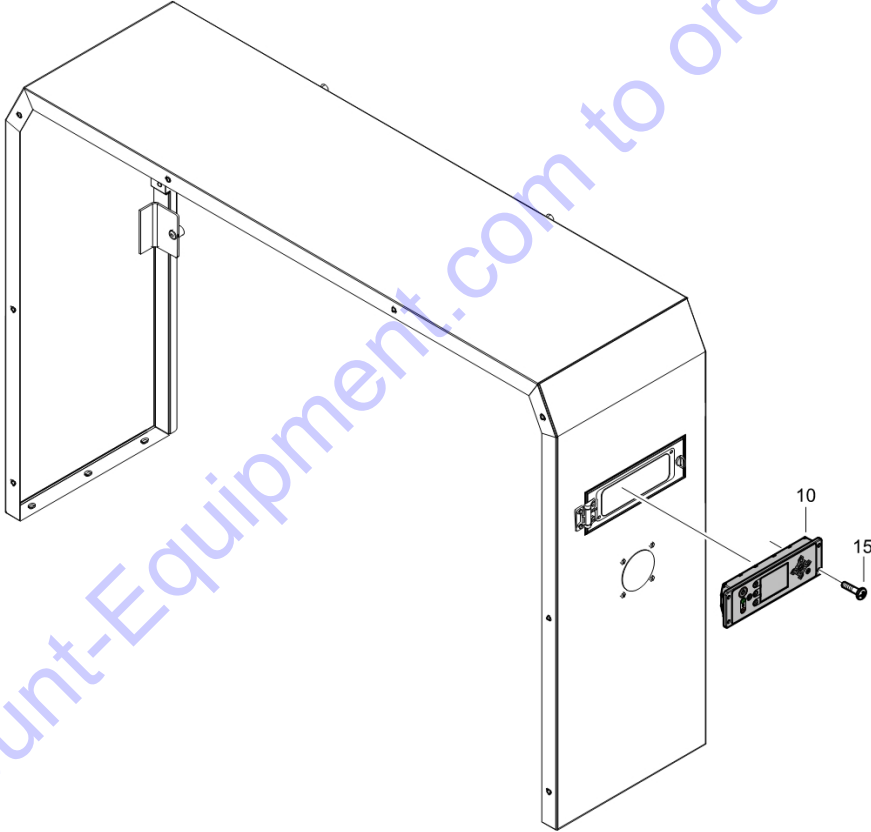
Go to Discount-Equipment.com to order your parts



Go to Discount Equipment for your parts

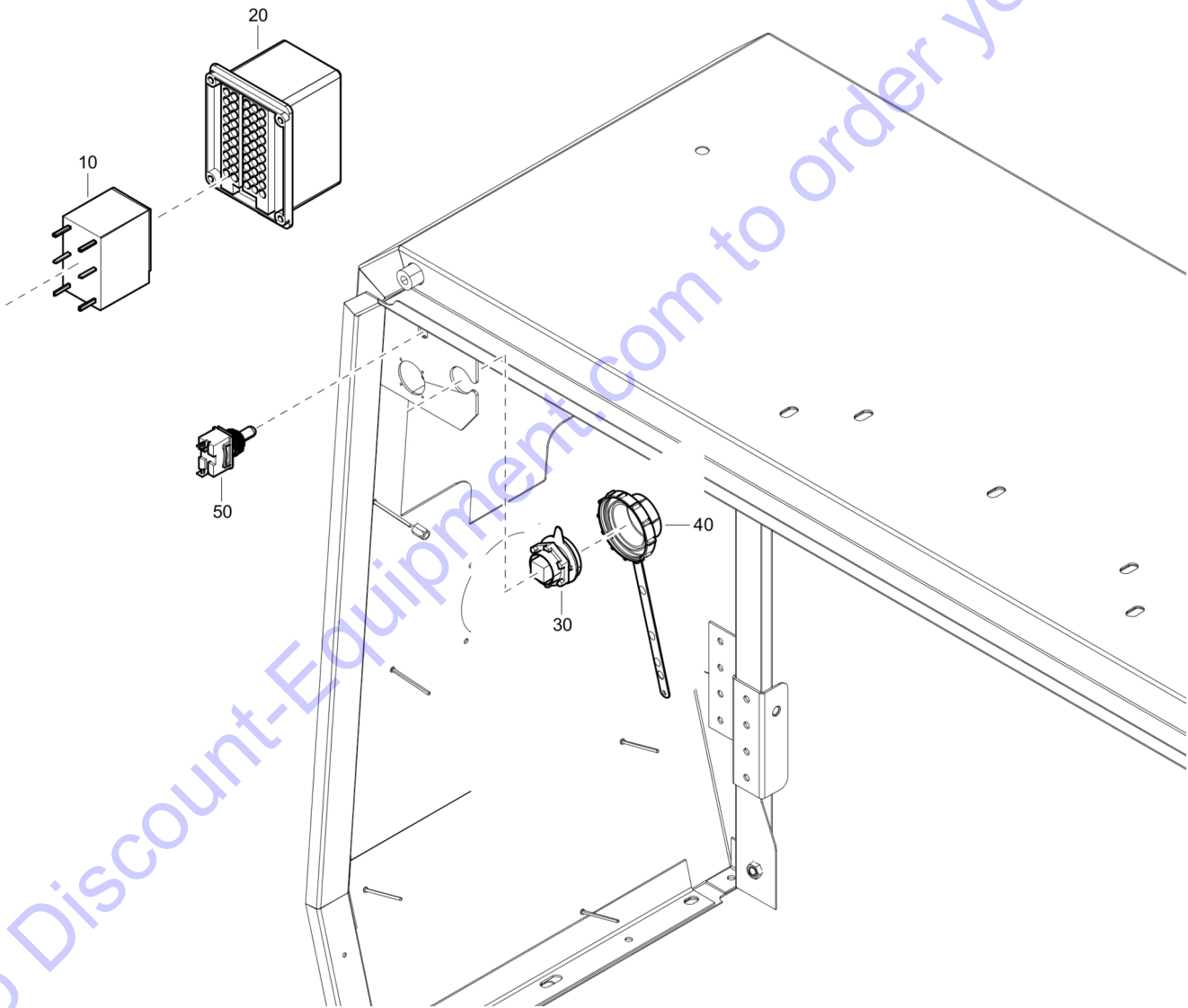
Id	Qty	Number	Name	Specifications
27	1	1626026801	SUPPORT	
28	1	0147134003	SCREW	
29	1	0300801900	WIDE FLAT WASHER 5/16"TX(TB)	
30	1	1089058401	BATTERY SWITCH	
35	1	1626028000	BRACKET	
40	2	1619589801	HEXAGON BOLT	
45	1	1626058802	CABLE BATTERY	
50	1	0266211100	NUT:M10.0DX 8.4H HEX,ZN PLT,\$S	
55	1	1088001902	CONTACT WASHER	
60	1	1638536401	CABLE BATTERY	
65	1	0266211100	NUT:M10.0DX 8.4H HEX,ZN PLT,\$S	
75	1	1638536300	CABLE	
80	1	0266211100	NUT:M10.0DX 8.4H HEX,ZN PLT,\$S	
90	1	1604332900	PROTECTION CAP	
95	1	1615758200	CABLE BATTERY	
100	1	1638568800	CABLE	
104	13	0346100205	PIPE CLAMP TYPE B D=16	
110	8	1619276600	SCREW-SELF TAP:M 8X 20 HEX HD,	
120	1	1607861400	FUSE HOLDER	
122	2	1619589801	HEXAGON BOLT	
125	1	1638569800	PLATE	
127	1	1615566400	HEX. HEAD SCREW	
130	1	1607861402	FUSE	
135	1	1638568900	CABLE	
136	1	0291110800	PORCA TRAVA M6 FZB	
140	1	1607861401	RELAY	
142	2	1619589801	HEXAGON BOLT	
150	1	1638564900	CABLE	
151	1	0291110800	PORCA TRAVA M6 FZB	
152	1	0291110800	PORCA TRAVA M6 FZB	
155	1	1638597400	CABLE BATTERY	
156	1	1088001906	CONTACT WASHER	
157	1	0291110800	PORCA TRAVA M6 FZB	
160	1	1638565101	CABLE BATTERY	
170	1	1638565002	CABLE BATTERY	
255	1	1638513701	GUIDE	
275	1	1638513701	GUIDE	
276	4	1619276600	SCREW-SELF TAP:M 8X 20 HEX HD,	
370	2	0975830016	BATTERY, 12VDC (148AH)	
410	1	1638514001	BRACKET	
414	2	1615566400	HEX. HEAD SCREW	
416	8	0147120803	HEX. HEAD SCREW	
417	8	0301231800	WASHER D5*10	
420	1	1638533300	GUIDE	
430	1	1638533400	GUIDE	
450	1	1626967701	GUIDE	
520	1	1638507605	WIRE HARNESS	
530	4	1613080106	CLAMP	
531	4	0147124703	PARAF M6X20 DIN933 8.8 FZB	

Id	Qty	Number	Name	Specifications
532	4	0333322000	TOOTH WASHER 6.4	
533	4	0266110800	NUT	
535	10	0348011003	PLATE ANCHOR	
540	1	0346100033	PIPE CLAMP D.16	
541	1	1619276600	SCREW-SELF TAP:M 8X 20 HEX HD,	
542	1	0333322000	TOOTH WASHER 6.4	
543	1	0266110800	NUT	
550	1	1089057470	temp sensor L=50	
555	1	1638078700	SENSOR MULTI FUNCTION	
556	1	0147117103	HEX. HEAD SCREW	
560	1	1638096980	CONTROLLER BOX ASSEMBLY	
A20	2	1626835800	HINGE	
A30	1	1638094702	COVER PROTECT.	
A40	1	1638118200	SEAL	
A50	1	1638096001	PLATE BACK	
A60	1	1626835700	LOCK	
B10	1	1626984100	KEY LOCK	
A70	6	0215001111	SCREW HEXAGON	
A80	4	0215001110	SCREW HEXAGON	
570	4	0160099696	SCREW	
580	1	1638095903	Seal gasket	
590	1	1613080104	CLAMP	
600	1	0147124703	PARAF M6X20 DIN933 8.8 FZB	
610	1	0333322000	TOOTH WASHER 6.4	
620	1	0266110800	NUT	
625	1	1088001901	WASHER D8.2 X D16.2 X 2.4	
630	1	1607852223	CABLE	
632	1	0301235800	PLAIN WASHER(A) 13 X 24 X 2.5	
634	1	0147139803	HEX. HEAD SCREW	
640	1	1619533701	SCR.BOLT M8X30 MD50/600A	
650	1	1088001901	WASHER D8.2 X D16.2 X 2.4	
660	1	1089057470	temp sensor L=50	
670	1	1638560400	GUIDE	
672	2	1615566400	HEX. HEAD SCREW	
680	1	1607852288	PRESSURE SENSOR	



Id	Qty	Number	Name	Specifications
10	1	1626850007	XC2003 CONTROLLER	
15	4	0160099696	SCREW	

Go to Discount-Equipment.com to order your parts



Go to Discount-Equipment.com to order your parts



Id	Qty	Number	Name	Specifications
10	1	1607852738	RELAY	
20	1	2914200258	FUSE BOX COVER	
30	1	2914200259	USB PORT	
40	1	2914200260	USB PORT COVER	
50	1	1626980700	SWITCH POWER	

Go to Discount-Equipment.com to order your parts









Part no	Part no	Part no	Part no	Part no	Part no
1638501700	1611703644	1638501901	1611703644	1638502002	1611700544
1638502101	1611700544	1638503201	1611700544	1638503301	1611700544
1638503681	1611700544	1638503781	1638503681	1638507501	1611700544
1638507605	1611701244	1638508000	1611700544	1638508104	1611700544
1638510101	1638941180	1638510403	1638941180	1638511100	1611702373
1638511202	1611700344	1638513701	1611701244	1638513701	1611701244
1638513900	1611705244	1638514001	1611701244	1638515401	1611702413
1638518102	1611700644	1638518202	1611700644	1638518302	1611700644
1638519900	1611700544	1638529201	1611705244	1638530300	1611702384
1638533300	1611701244	1638533400	1611701244	1638534100	1611700344
1638536300	1611701244	1638536401	1611701244	1638542100	1611700444
1638546300	1611700344	1638546400	1611700344	1638546500	1611700344
1638547300	1611700344	1638548900	1611702419	1638549083	1611700439
1638549183	1638549083	1638550601	1611700844	1638555900	1611705244
1638556000	1611705244	1638557602	1611700544	1638559200	1638448880
1638559900	1611700344	1638560400	1611701244	1638562400	1611705644
1638564300	1638503681	1638564601	1611700544	1638564900	1611701244
1638565002	1611701244	1638565101	1611701244	1638566002	1611703644
1638566002	1611703644	1638566301	1611703644	1638566401	1611703644
1638568800	1611701244	1638568900	1611701244	1638569800	1611701244
1638570501	1611705244	1638571501	1611700344	1638576800	1611700344
1638579200	1611703644	1638579300	1611703644	1638581000	1611700544
1638588000	1611702419	1638589110	1611702384	1638597400	1611701244
1638600900	1611700344	1638609300	1638937080	1638618600	1611700244
1638640401	1611702384	1638655900	1611700644	1638662500	1611702384
1638681101	1611700344	1638852800	1611703244	1638924700	1611702373
1638933600	1611702413	1638936580	1611702382	1638936980	1638937080
1638937080	1611702373	1638937380	1638937080	1638937780	1638941180
1638937980	1611702373	1638938180	1611702373	1638938500	1638938780
1638938780	1611702373	1638939180	1638938780	1638939380	1611702373
1638939380	1611702373	1638941180	1611702373	1816020400	1611703644
2911000047	2950899500_Kitsandc	2911014900	2950899500_Kitsandc	2911016900	2950899500_Kitsandc
2911022500	2950899500_Kitsandc	2911022500	2912472700	2912472600	2912472700
2912490700	2950899500_Kitsandc	2912490702	2950899500_Kitsandc	2913000036	2914900008
2913000036	2912472600	2913000037	2914900008	2913000038	2914900008
2913000039	2914900008	2913000040	2914900008	2913000041	2914900008
2913000042	2914900008	2913000043	2914900008	2913000050	2914900012
2913000050	2912472700	2913000196	2914900008	2913000197	2914900008
2913000198	2914900008	2913000199	2914900008	2913000201	2914900008
2913000202	2914900008	2913000203	2914900008	2913000204	2914900008
2913000205	2914900008	2913000206	2914900008	2913000207	2914900008
2913000208	2914900008	2913000209	2914900008	2913000209	2914900008
2913000211	2914900008	2913000212	2914900008	2913000213	2914900008
2913000214	2914900008	2913000215	2914900008	2913000216	2914900008
2913000217	2914900008	2913000218	2914900008	2913000219	2914900008
2913000220	2914900008	2913000221	2914900008	2913000222	2914900008
2913000223	2914900008	2913000243	2913000247	2913000244	2913000247
2913000245	2913000247	2913000246	2913000247	2914200258	2914900013
2914200259	2914900013	2914200260	2914900013	2914502400	1615946402
2914502900	1615946402	2914823600	2912472600	2914851400	2912472600
2914851400	2914900008	2914866300	1615946402	3176382900	1611700244
3176382900	1611700244	3315019508	1611702382	3315019508	1611702382
3315019510	1611702382	6211475250	2912472700	6211475450	2912472700
9740202133	1611705644				

# PARTS FINDER

**Search Website  
by Part Number**



**Search Manual  
Library For Parts  
Manual & Lookup Part  
Numbers – Purchase  
or Request Quote**

**Search Manuals**

Enter your information to help us find the right parts manual for your equipment.

\* Brand:

\* Model:

\* Serial:

\* Part Number:

SEARCH

**Can't Find Part or  
Manual? Request Help  
by Manufacturer,  
Model & Description**

**Parts Order Form**

Please fill in the following information to help us find the right part for your equipment.

Manufacturer:	<input type="text"/>
Model:	<input type="text"/>
Description:	<input type="text"/>
Part Number:	<input type="text"/>
Quantity:	<input type="text"/>
Notes:	<input type="text"/>

Submit

Discount-Equipment.com is your online resource for quality parts & equipment.

Florida: **561-964-4949** Outside Florida TOLL FREE: **877-690-3101**

**Need parts?**

Click on this link: <http://www.discount-equipment.com/category/5443-parts/> and choose one of the options to help get the right parts and equipment you are looking for. Please have the machine model and serial number available in order to help us get you the correct parts. If you don't find the part on the website or on one of the online manuals, please fill out the request form and one of our experienced staff members will get back to you with a quote for the right part that your machine needs.

We sell worldwide for the brands: Genie, Terex, JLG, MultiQuip, Mikasa, Essick, Whiteman, Mayco, Toro Stone, Diamond Products, Generac Magnum, Airman, Haulotte, Barreto, Power Blanket, Nifty Lift, Atlas Copco, Chicago Pneumatic, Allmand, Miller Curber, Skyjack, Lull, Skytrak, Tsurumi, Husquvarna Target, Stow, Wacker, Sakai, Mi-T-M, Sullair, Basic, Dynapac, MBW, Weber, Bartell, Bennar Newman, Haulotte, Ditch Runner, Menegotti, Morrison, Contec, Buddy, Crown, Edco, Wyco, Bomag, Laymor, EZ Trench, Bil-Jax, F.S. Curtis, Gehl Pavers, Heli, Honda, ICS/PowerGrit, IHI, Partner, Imer, Clipper, MMD, Koshin, Rice, CH&E, General Equipment, Amida, Coleman, NAC, Gradall, Square Shooter, Kent, Stanley, Tamco, Toku, Hatz, Kohler, Robin, Wisconsin, Northrock, Oztec, Toker TK, Rol-Air, APT, Wylie, Ingersoll Rand / Doosan, Innovatech, Con X, Ammann, Mecalac, Makinex, Smith Surface Prep, Small Line, Wanco, Yanmar