



**Discount
Equipment**

www.discount-equipment.com

Filter	2950957702,APP 883427 -
Identity	2950957702
Specifications	Product number: 8162010160, Division: Portable Air, Product group: Diesel Driven Compressors, Product type: Large Air, Product: CPS1600-150 TIER 4, Product Company: Antwerp

PARTS FINDER

**Search Website
by Part Number**



**Search Manual
Library For Parts
Manual & Lookup Part
Numbers – Purchase
or Request Quote**

Search Manuals

Enter your information to help us find the right parts manual for your machine.

* Brand:

* Model:

* Serial:

* Part Number:

SEARCH

**Can't Find Part or
Manual? Request Help
by Manufacturer,
Model & Description**

Parts Order Form

Please fill in the following information to help us find the right part for your machine.

Manufacturer:	<input type="text"/>
Model:	<input type="text"/>
Description:	<input type="text"/>
Part Number:	<input type="text"/>
Quantity:	<input type="text"/>
Notes:	<input type="text"/>

Submit

Discount-Equipment.com is your online resource for quality parts & equipment.

Florida: **561-964-4949** Outside Florida TOLL FREE: **877-690-3101**

Need parts?

Click on this link: <http://www.discount-equipment.com/category/5443-parts/> and choose one of the options to help get the right parts and equipment you are looking for. Please have the machine model and serial number available in order to help us get you the correct parts. If you don't find the part on the website or on one of the online manuals, please fill out the request form and one of our experienced staff members will get back to you with a quote for the right part that your machine needs.

We sell worldwide for the brands: Genie, Terex, JLG, MultiQuip, Mikasa, Essick, Whiteman, Mayco, Toro Stone, Diamond Products, Generac Magnum, Airman, Haulotte, Barreto, Power Blanket, Nifty Lift, Atlas Copco, Chicago Pneumatic, Allmand, Miller Curber, Skyjack, Lull, Skytrak, Tsurumi, Husquvarna Target, Stow, Wacker, Sakai, Mi-T-M, Sullair, Basic, Dynapac, MBW, Weber, Bartell, Bennar Newman, Haulotte, Ditch Runner, Menegotti, Morrison, Contec, Buddy, Crown, Edco, Wyco, Bomag, Laymor, EZ Trench, Bil-Jax, F.S. Curtis, Gehl Pavers, Heli, Honda, ICS/PowerGrit, IHI, Partner, Imer, Clipper, MMD, Koshin, Rice, CH&E, General Equipment, Amida, Coleman, NAC, Gradall, Square Shooter, Kent, Stanley, Tamco, Toku, Hatz, Kohler, Robin, Wisconsin, Northrock, Oztec, Toker TK, Rol-Air, APT, Wylie, Ingersoll Rand / Doosan, Innovatech, Con X, Ammann, Mecalac, Makinex, Smith Surface Prep, Small Line, Wanco, Yanmar

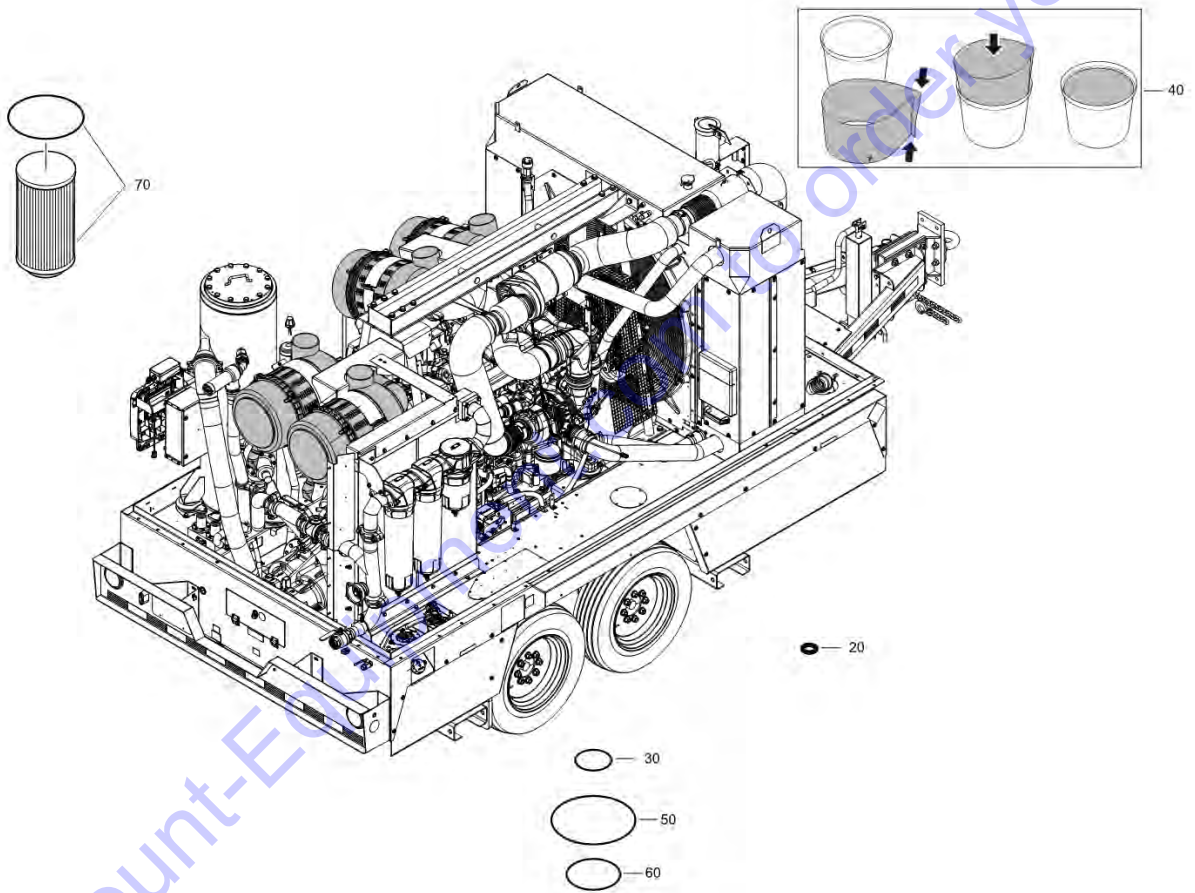
KITS AND CONSUMABLES	2950957701
SERVICE PACK 500 HOURS	2912472800
SERVICE PACK 1000 HOURS	2912472900
SERVICE KIT - OIL SEPARATOR	2911000153_00
COMPRESSOR OIL	Compressor_oil_Genoil
Engine Oil	Engine_oil_Genoil_1310311604
Coolant	Coolant_GencoolGreen
SERVICE KIT - CHECK VALVE +OIL STOP VALVE	2911016800
KIT ELEMENT MOUNTING LP	2911016400
FRAME AND MOUNTS	1611060367
ELEMENT ASSEMBLY	1611770867
COMPRESSOR DRIVE	1611816167
VALVES ON ELEMENT	1611043767
CHECK + OIL STOP VALVE	1626333885
ELEMENT AIR END	1611771267
GEARS	1611770967
COUPLING	1611060567
COUPLING PARTS	1611771067
AIR OUTLET	1611770667
VESSEL	1638561082
VESSEL	1626975091
AIR INLET	1611061267
AIR INLET PRS	1611770767
NO OILXPRT	1611041767
REGULATION	1611702993
UNLOADER ASSY	1638940880
OIL SYSTEM	1611771367
REGULATION DUAL NO-FX	1611050767
HOUSING VALVE	1638098881
DRAIN	1638092782
VALVE THROTTLE	1626169581
VALVES ON VESSEL	1611771967
SERVICE KIT -MINIMUM PRESSURE VALVE	2914900175
DRAIN	1611771467
AFTERCOOLER WS-DD-PD CPS1600	1611772367
SERVICE PART WSD	2914900180
SERVICE PARTS PD FILTER	2914900182
SERVICE PARTS DD FILTER	2914900184
PANEL	1626986782
VALVE ASSEMBLY	1626555281
FLEETLINK	1611720279
FORKLIFT SLOTS	1611046667
BODYWORK INNER	1611062067
PANEL	1626982683
PANEL	1638107382
DOOR	1626982581
BODYWORK DOORS	1611772667
BEAMS BOX5 CPS	1611772767
UNDERCARRIAGE	1611772167
DOOR FRONT	1626902382

ASSEMBLY	1626892784
DOOR LEFT	1626953984
DOOR LEFT	1626964583
DOOR REAR	1626954084
CORNER REAR RIGHT	1638077583
DOOR	1626901583
DOOR RIGHT	1626953994
DOOR FRONT	1626902282
BEAM ASSY.	1626902182
CANOPY	1638134683
BODYWORK ROOFS	1611772867
ROOF	1626892986
ROOF	1626893286
ROOF	1626893184
ROOF	1626893082
DOOR	1626880982
PANEL	1626961983
PREHEATER TIMER	1611043367
COOLANT HEATER	1638724100
WHEEL CHOCKS	1611860167
NO AUTO. WSD DC	1611059667
NO REMOTE CONTROL	1611067967
NO ISV ENGINE AIR INLET PIPE	1611041667
MARKINGS	1611772067
US MARKINGS	1611702622
MARKINGS	1611771867
ENGINE AND ACCESSORIES	1611772967
ENGINE SPARE PARTS MB	2914900178
AFTERTREATMENT	1638200701_00
AFTERTREATMENT SCR SPARE PARTS	2914900183
UREA TANK SERVICE PARTS	2914900116
EXHAUST DC_W	1611061367_07W
ENGINE COOLING_W	1611061567_03W
GRATINGS ON COOLER AND FAN	1611041867
COOLER ASSEMBLY	1611773067
PLATE COVER	1626930785
ASSEMBLY	1626194081
TENSION PULLEY ASSY	1615603480
FUEL SYSTEM	1611772267
TANK FUEL	1626940184
BOX5 EFT CPS1600	1611772467
ELECTRICAL SYSTEM	1611771567
CONTROL BOX	1638515181
CONTROLLER (XC4004)	1638313501
CUBICLE	1626944888
CONTROLLER	1611771767
OIL COLD START	1611066467
MODULE	1638971300

KITS AND CONSUMABLES	ITEM NUMBER	DESCRIPTION	CHANGE INTERVAL / QUANTITY		
			500 HOURS	1000 HOURS	WHEN NEEDED
MAINTENANCE KIT	1	SERVICE PACK 500 HOURS	1		
	2	SERVICE PACK 1000 HOURS		1	
	3	SERVICE KIT - OIL SEPARATOR			1
COMPRESSOR OIL USE GENOIL S	4	GENOIL S CAN 20 LITER/5.3 GALLON	78.0 LITER 20.60 GALLON	78.0 LITER 20.60 GALLON	NO
ENGINE OIL	5	CAN GENOIL 15W40 5 LITER/1.32 GALLON	45.0 LITER	45.0 LITER	NO
USE GENOIL 15W40	6	CAN GENOIL 15W40 20 LITER/5.3 GALLON	11.88 GALLON	11.88 GALLON	NO
COOLANT	7	CAN GENCOOL GREEN 5 LITER/1.32 GALLON	73.0 LITER	73.0 LITER	NO
USE GENCOOL GREEN	8	CAN GENCOOL GREEN 20 LITER/5.3 GALLON	19.28 GALLON	19.28 GALLON	NO
SERVICE AND REPAIR KITS	9	SERVICE KIT - CHECK VALVE+OIL STOP VALVE			1
	10	SERVICE KIT - ELEMENT MOUNTING LP			1

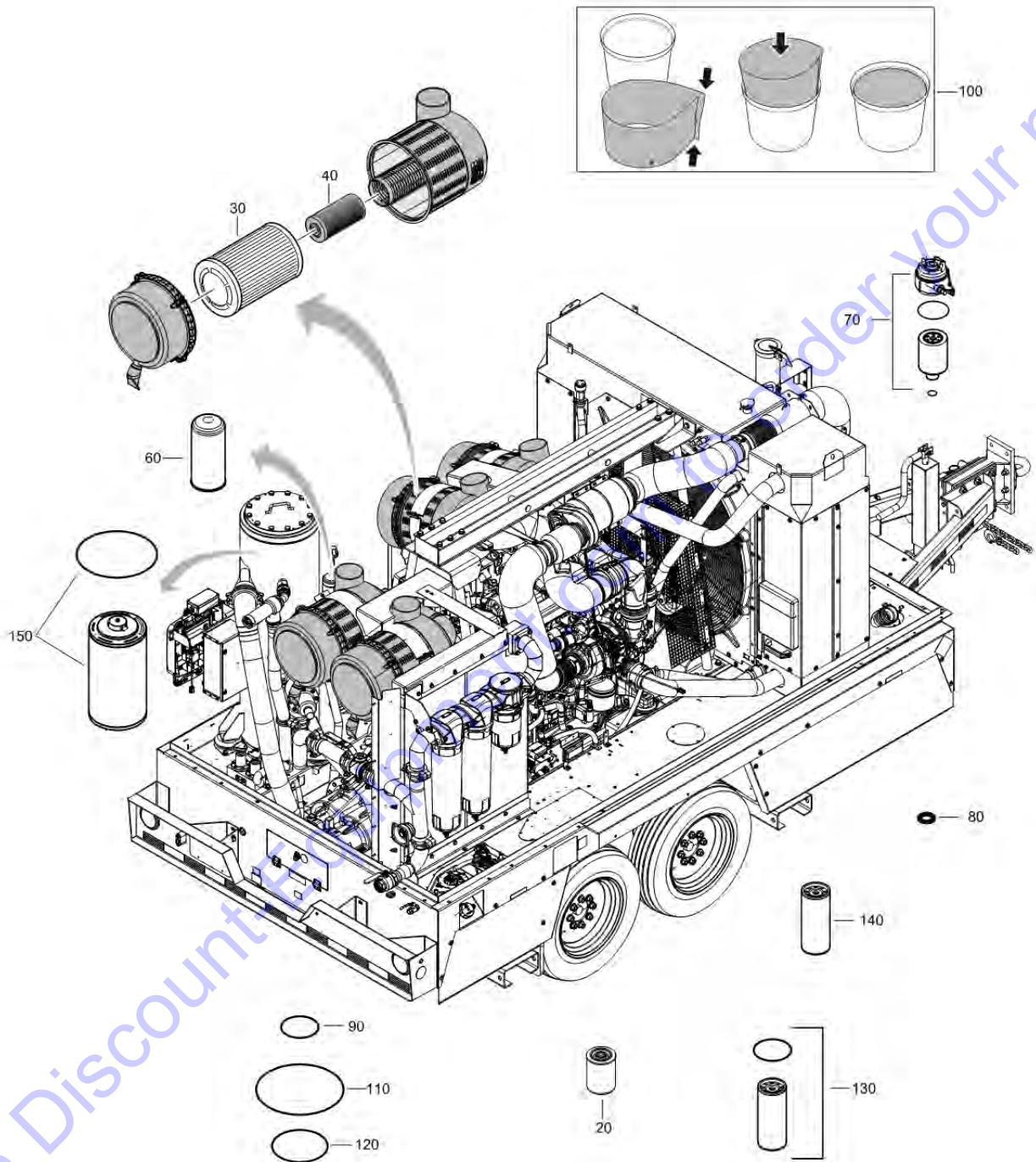
Id	Qty	Number	Name	Specifications
1	1	2912472800	SERVICE PACK 500 HOURS	
2	1	2912472900	SERVICE PACK 1000 HOURS	
3	1	2911000153	O-RING 291.47X5.33	
4	4	1630017500	OIL GENOIL S 20L	
5	9	1626225801	CAN GENOIL 5W40 5 LITER/1.32 GALLON	
6	3	1626225901	CAN GENOIL 5W40 20 LITER/5.3 GALLON	
7	15	1630013411	CAN GENCOOL GREEN 5L	
8	4	1630013416	CAN GENCOOL GREEN 20L	
9	1	2911016800	GASKET 17 X 21 X 1.5	
10	1	2911016400	GASKET 21 X 26 X 1.5	

Go to Discount-Equipment.com to order your parts



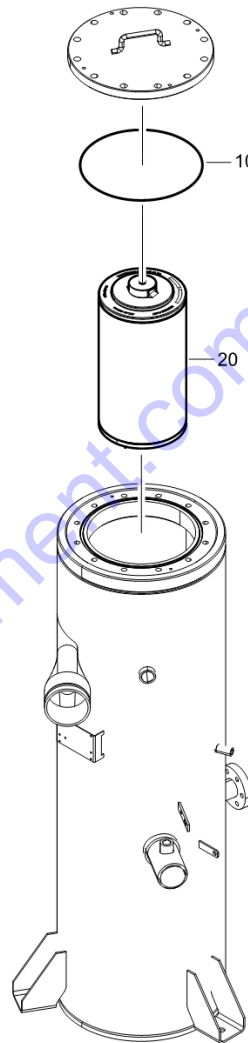
Id	Qty	Number	Name	Specifications
-	1	2912472800	SERVICE PACK 500 HOURS	
20	1		SEALING WASHER	
30	1		CENTRIFUGAL CLEANER O-RINGS	
40	1		CENTRIFUGAL CLEANER INSERT	
50	1		O-RING	
60	1		O-RING	
70	1		OIL FILTER	

Go to Discount-Equipment.com to order your parts



Id	Qty	Number	Name	Specifications
-	1	2912472900	SERVICE PACK 1000 HOURS	
20	1		FILTER ELEMENT	
30	4		FILTER ELEMENT OFF-SHORE	
40	4		AIR FILTER SAFETY CARTRIDGE	
60	4		FILTER:OIL	
70	1		KIT FILTER SCR	
80	1		SEALING WASHER	
90	1		CENTRIFUGAL CLEANER O-RINGS	
100	1		CENTRIFUGAL CLEANER INSERT	
110	1		O-RING	
120	1		O-RING	
130	1		FUEL FILTERS KIT	
140	1		OIL FILTER	
150	1		O-RING 291.47X5.33	

Go to Discount-Equipment.com to order your parts



Go to Discount-Equipment.com to order your parts

Id	Qty	Number	Name	Specifications
-	1	2911000153	O-RING 291.47X5.33	
10	1	0663211116	O-RING 291.47X5.33	
20	1	1604080085	FRAME	

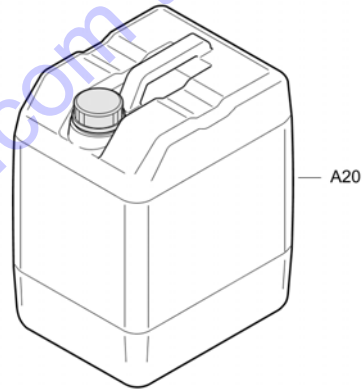
Go to Discount-Equipment.com to order your parts



Go to Discount-Equipment.com to order your parts

Id	Qty	Number	Name	Specifications
-			GENOIL S	
A10	1	1630017500	OIL GENOIL S 20L	

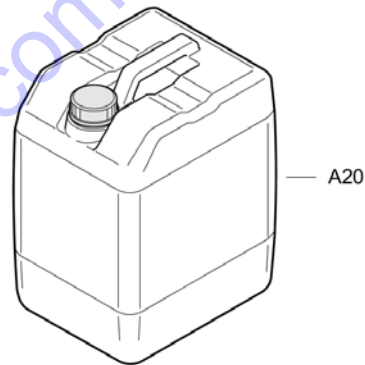
Go to Discount-Equipment.com to order your parts



Go to Discount-Equipment.com to order your parts

Id	Qty	Number	Name	Specifications
A10	1	1626225801	CAN GENOIL 5W40 5 LITER/1.32 GALLON	
A20	1	1626225901	CAN GENOIL 5W40 20 LITER/5.3 GALLON	

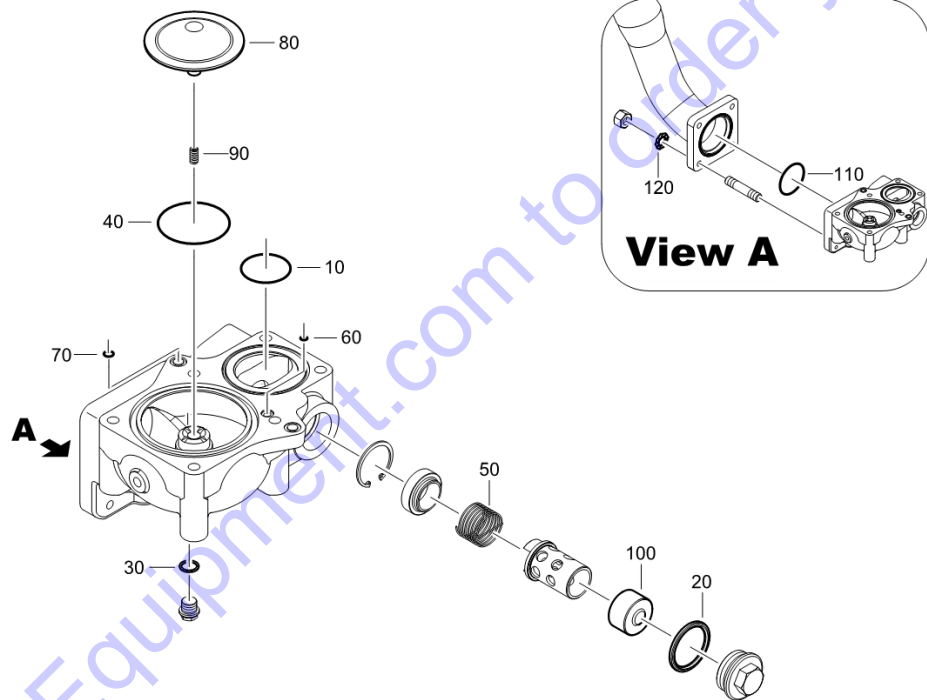
Go to Discount-Equipment.com to order your parts



Go to Discount-Equipment.com to order your parts

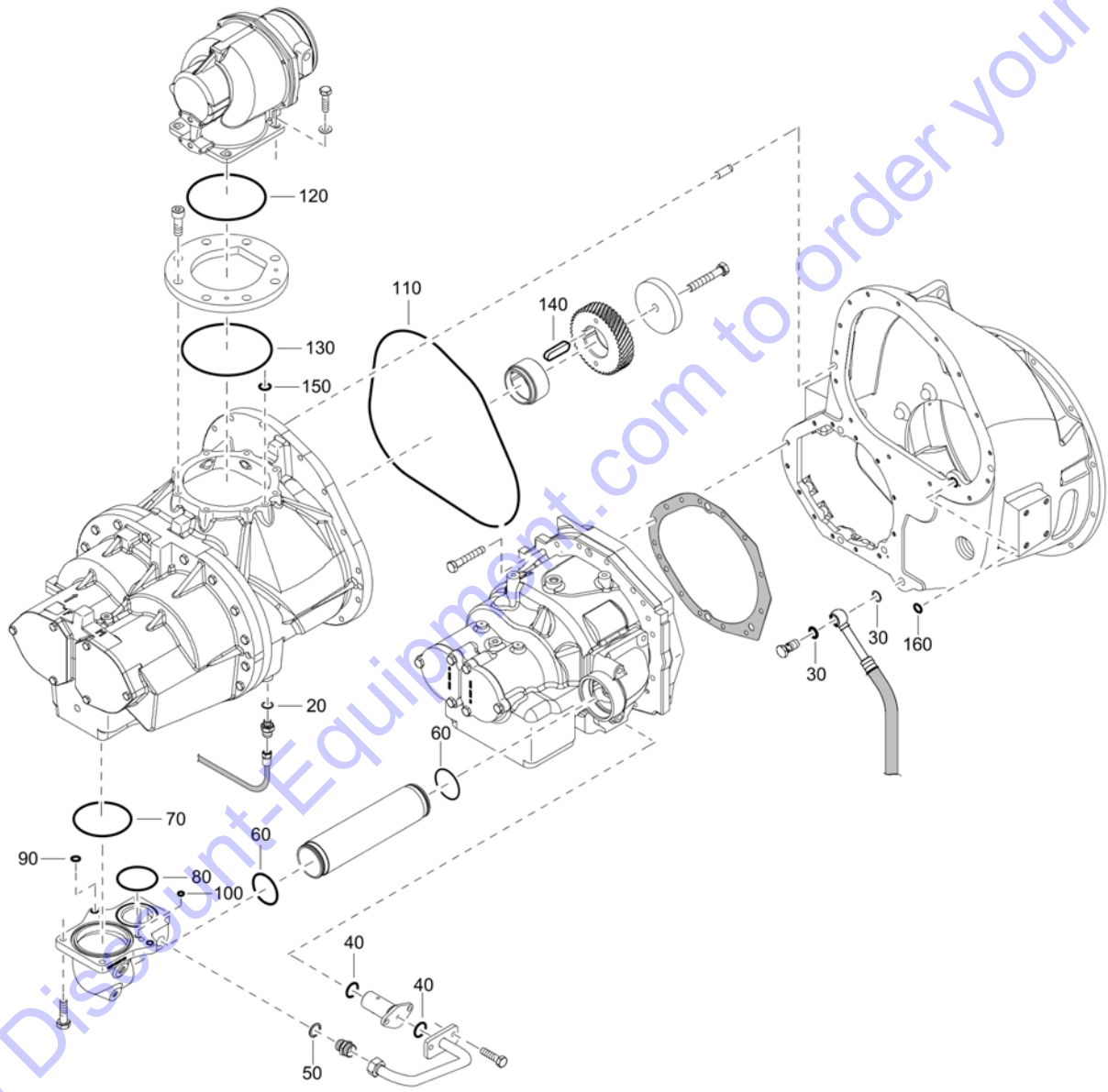
Id	Qty	Number	Name	Specifications
A10	1	1630013411	CAN GENCOOL GREEN 5L	
A20	1	1630013416	CAN GENCOOL GREEN 20L	

Go to Discount-Equipment.com to order your parts



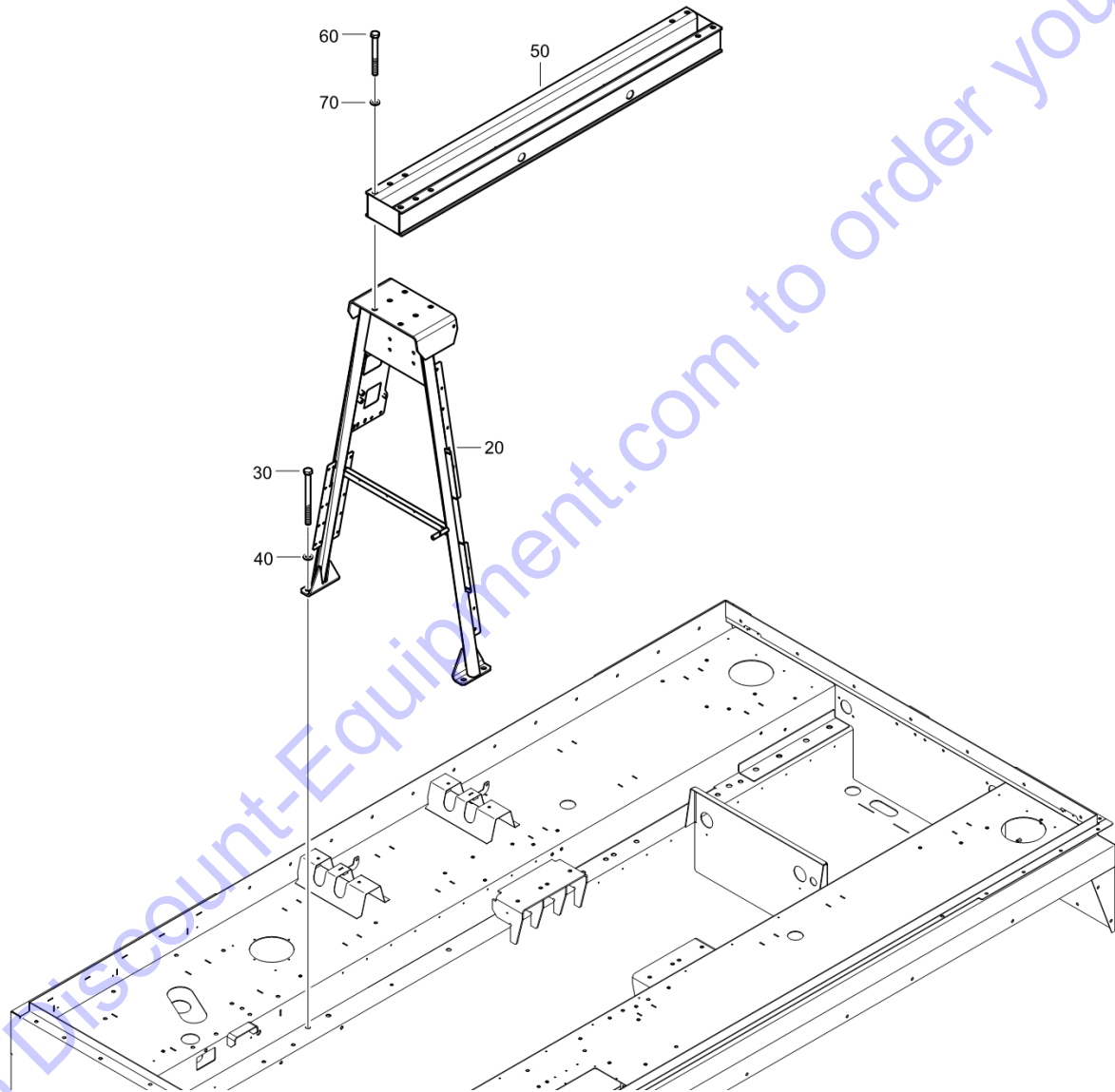
Id	Qty	Number	Name	Specifications
-	1	2911016800	GASKET 17 X 21 X 1.5	
10	1		O-RING 89.5 X 3	
20	1		SEALING WASHER	
30	1		GASKET 17 X 21 X 1.5	
40	1		O-RING	
50	1		SPRING	
60	1		O-RING	
70	2		O-RING 13.3X2.4	
80	1		CHECK VALVE C190 LP	
90	1		SPRING	
100	1		PISTON	
110	1		O-RING 54.5 X 3	
120	2		LOCK WASHER	

Go to Discount-Equipment.com to order your parts



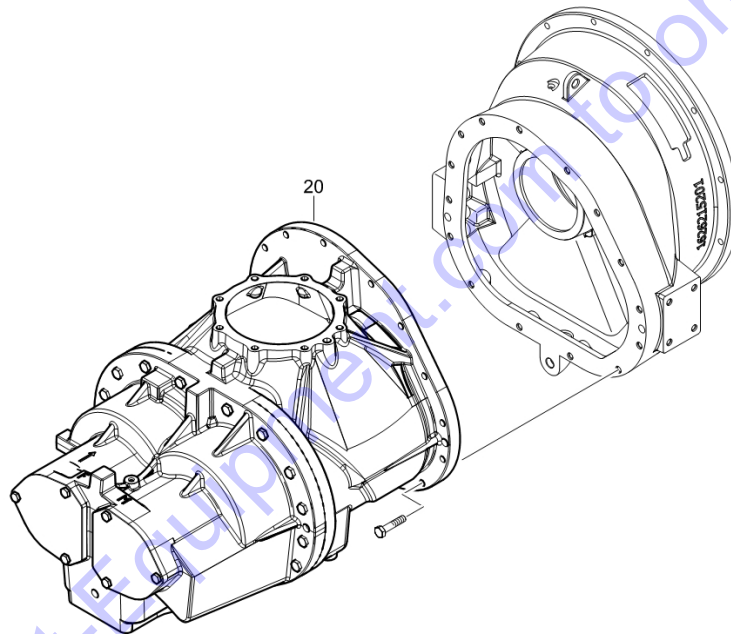
Id	Qty	Number	Name	Specifications
20	1		Flat gasket	
30	2		Flat gasket	
40	2		O-RING	
50	1		Flat gasket	
60	2		O-RING	
70	1		O-RING	
80	1		O-RING	
90	2		O-RING	
100	1		O-RING	
110	1		O-RING	
120	1		O-RING	
130	2		O-RING	
140	1		Parallel key	
150	1		O-RING	
160	1		O-RING	

Go to Discount-Equipment.com to order your parts



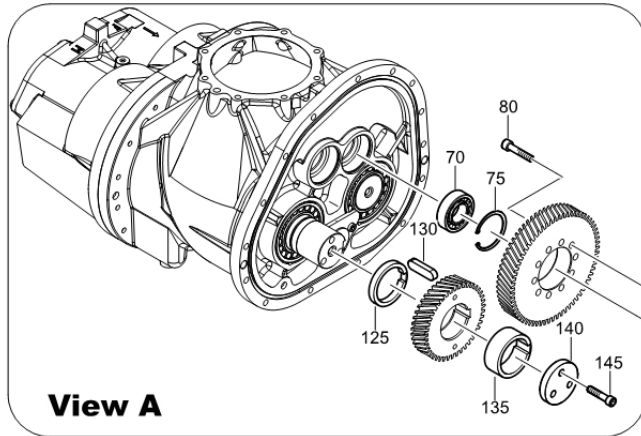
Id	Qty	Number	Name	Specifications
20	1	1626945003	FRAME A REAR	
30	4	0147147903	SCREW:M16 X 50MM HHCS ZP-STL	
40	4	0333520008	WASHER	
50	1	1626986103	BEAM	
60	10	0147149503	SCREW:M16X150;HEX HD,ZN PLT,\$S	
70	10	0333520008	WASHER	

Go to Discount-Equipment.com to order your parts

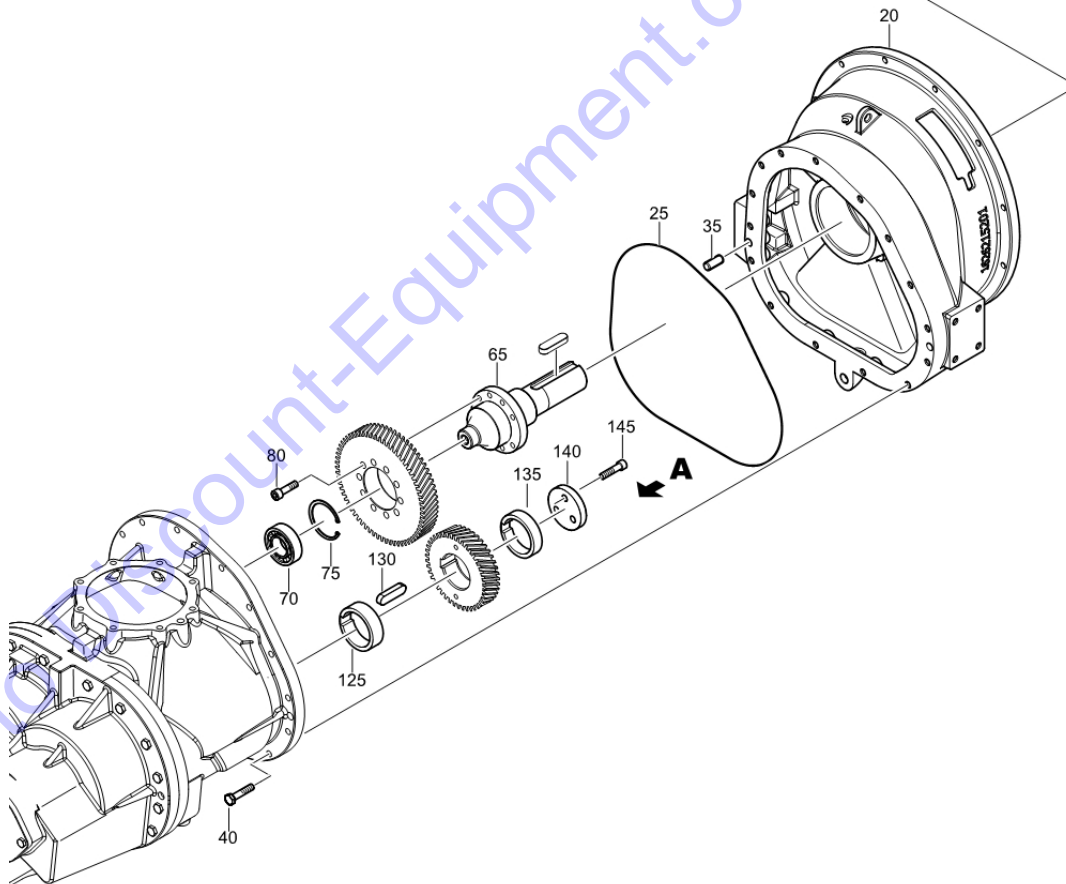
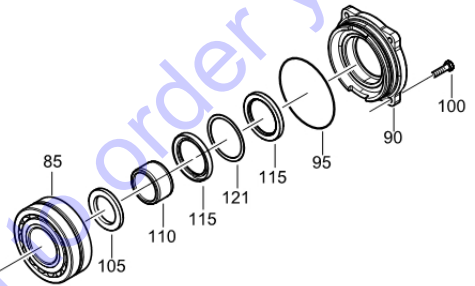


Id	Qty	Number	Name	Specifications
20	1	1616734592	O.I.S. O-05 (C190)	

Go to Discount-Equipment.com to order your parts

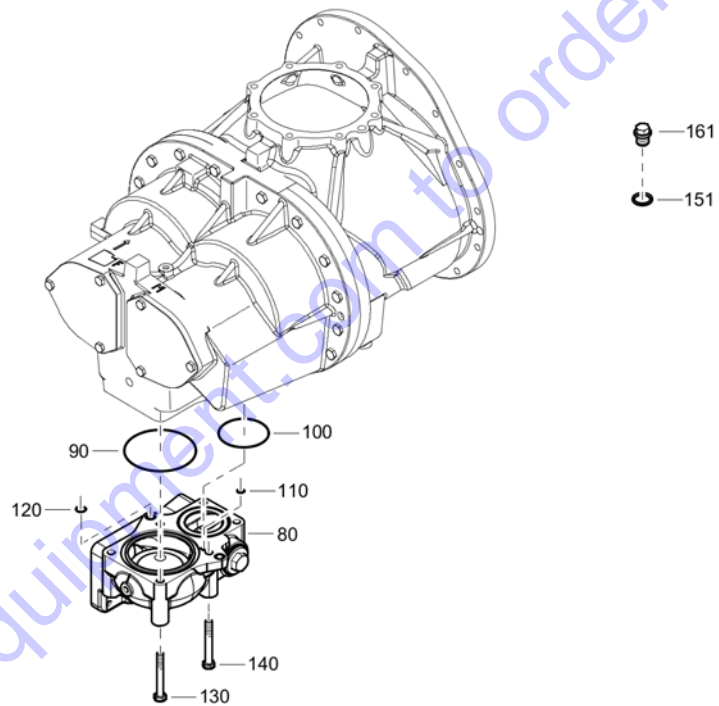


View A



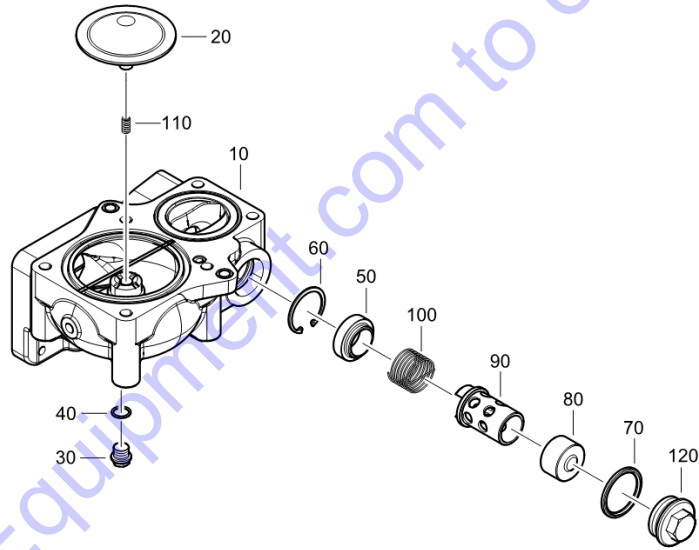
Id	Qty	Number	Name	Specifications
20	1	1626215202	GEARBOX	
25	1	0663211407	O-RING	
35	2	0101162600	PIN	
40	15	0147140503	HEX. BOLT M12X50X8.8	
65	1	1626257802	SHAFT DRIVE S2 C190 LP	
70	1	0508115801	BEARING	
75	1	0335216000	CIRCLIP D=80	
80	8	0211140400	HEX. SOCK M12X45X12.9	
85	1	0506010008	BEARING	
90	1	2252547900	RETAINER	
95	1	0663715400	O-RING	
100	4	0147136403	HEX. BOLT M10X35X8.8	
105	1	2252547700	WASHER	
110	1	2252547800	BUSHING	
115	2	1619517701	SEAL	
121	1	2254760400	RING	
125	1	1626258001	SPACER	
130	1	0337835000	PARALLEL KEY	
135	1	1626257901	SPACER	
140	1	2252547000	WASHER	
145	3	0211140800	HEX. SOCK M12X65X12.9	

Go to Discount-Equipment.com to order your parts



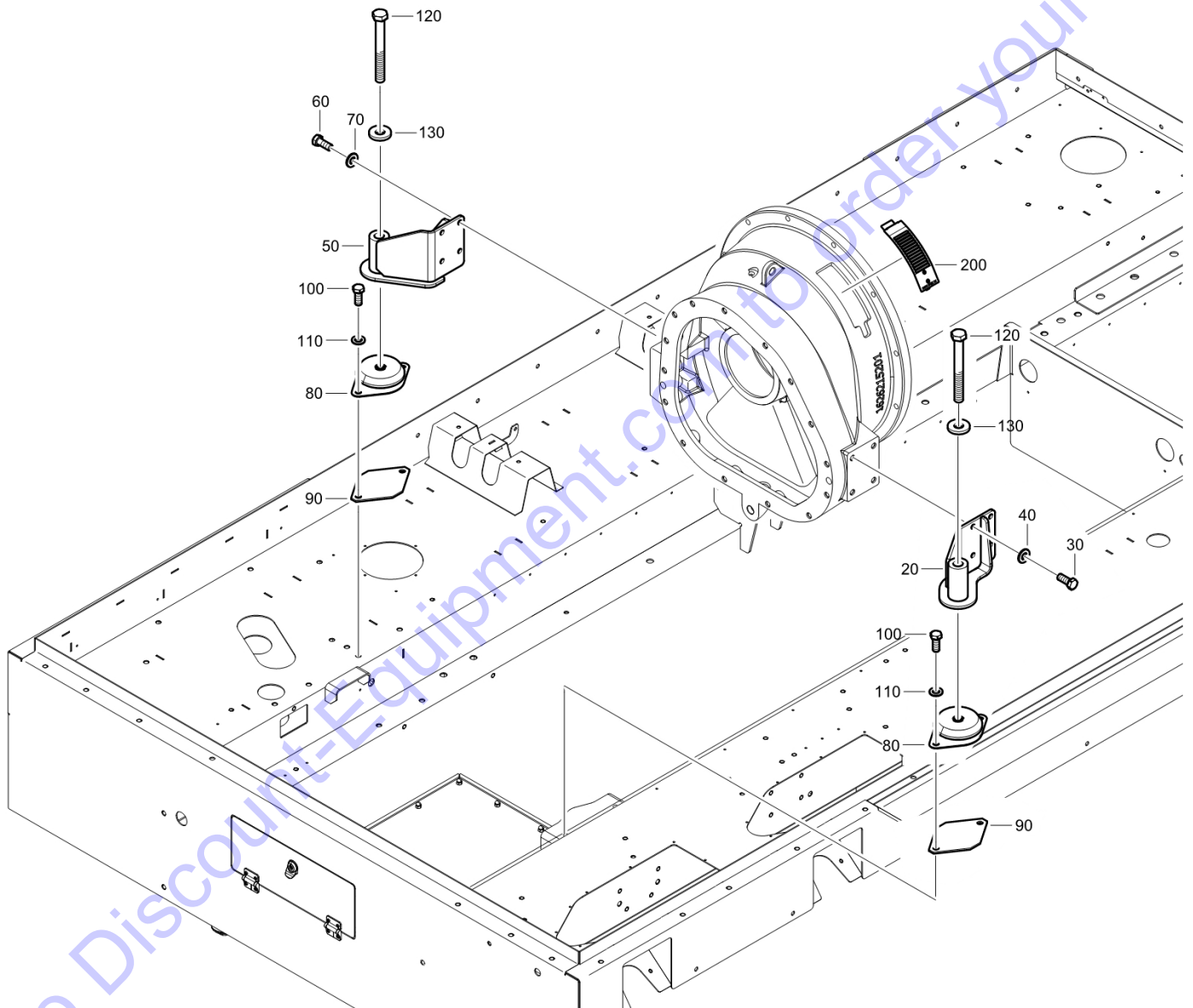
Id	Qty	Number	Name	Specifications
80	1	1626333885	GASKET 17 X 21 X 1.5	
90	1	0663315300	O-RING	
100	1	0663714200	O-RING 89.5 X 3	
110	1	0663311600	O-RING	
120	2	0663312000	O-RING 13.3X2.4	
130	4	0147141703	HEXAGON BOLT	
140	2	0147141303	SCREW	
151	3	0653106200	GASKET 13 X 20 X 1.5	
161	3	0686371601	PLUG 1/4 AA	

Go to Discount-Equipment.com to order your parts



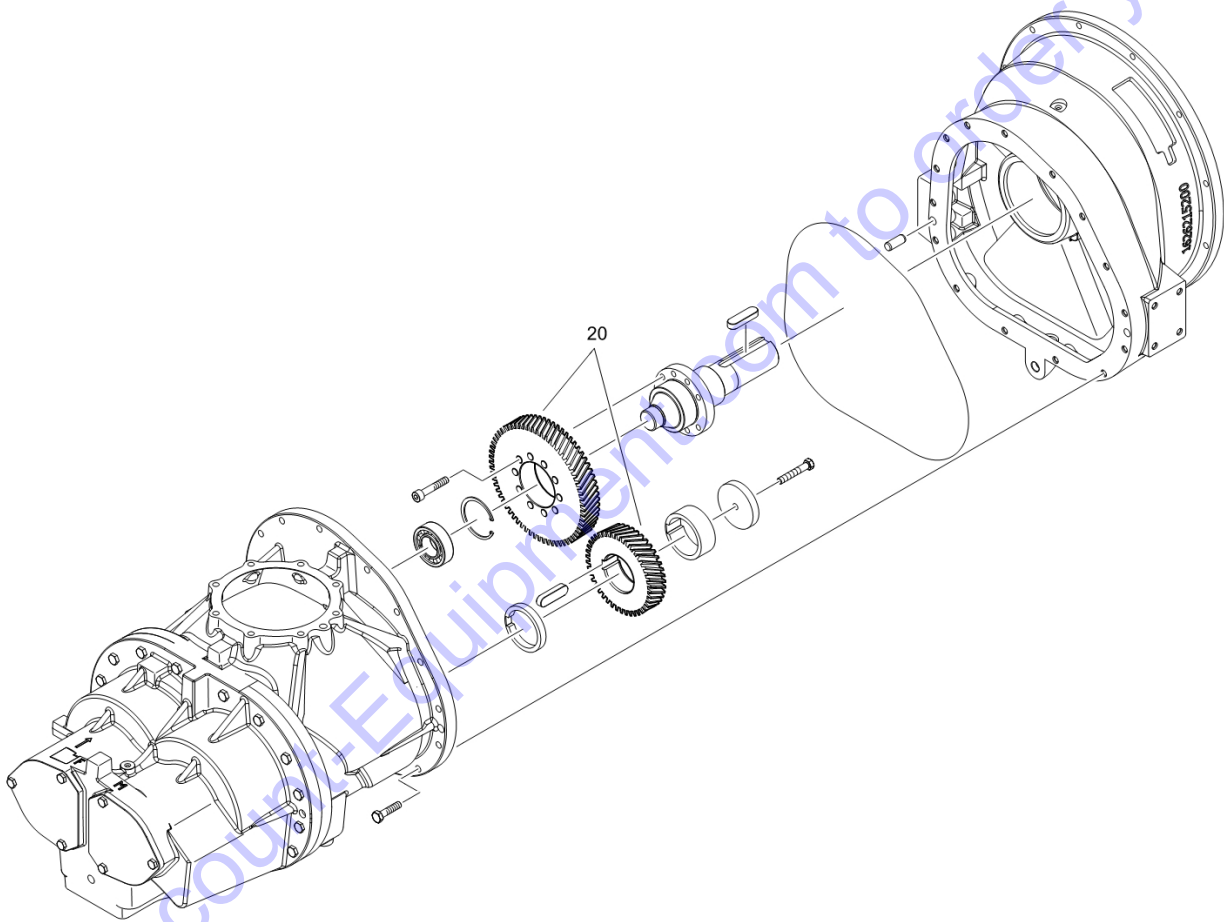
Id	Qty	Number	Name	Specifications
10	1	1626333803	HOUSING VALVE	
20	1	1626333900	CHECK VALVE C190 LP	
30	1	1638361000	PLUG HEXAGON	
40	1	0653110000	GASKET 17 X 21 X 1.5	
50	1	2252626900	SPRING	
60	1	0335214500	CIRCLIP D50XT2	
70	1	0661106200	SEALING WASHER	
80	1	2255281300	PISTON	
90	1	1626511701	VALVE OIL STOP	
100	1	2254986800	SPRING	
110	1	1638374300	SPRING	
120	1	0686371610	PLUG 1 1/2 AA	

Go to Discount-Equipment.com to order your parts



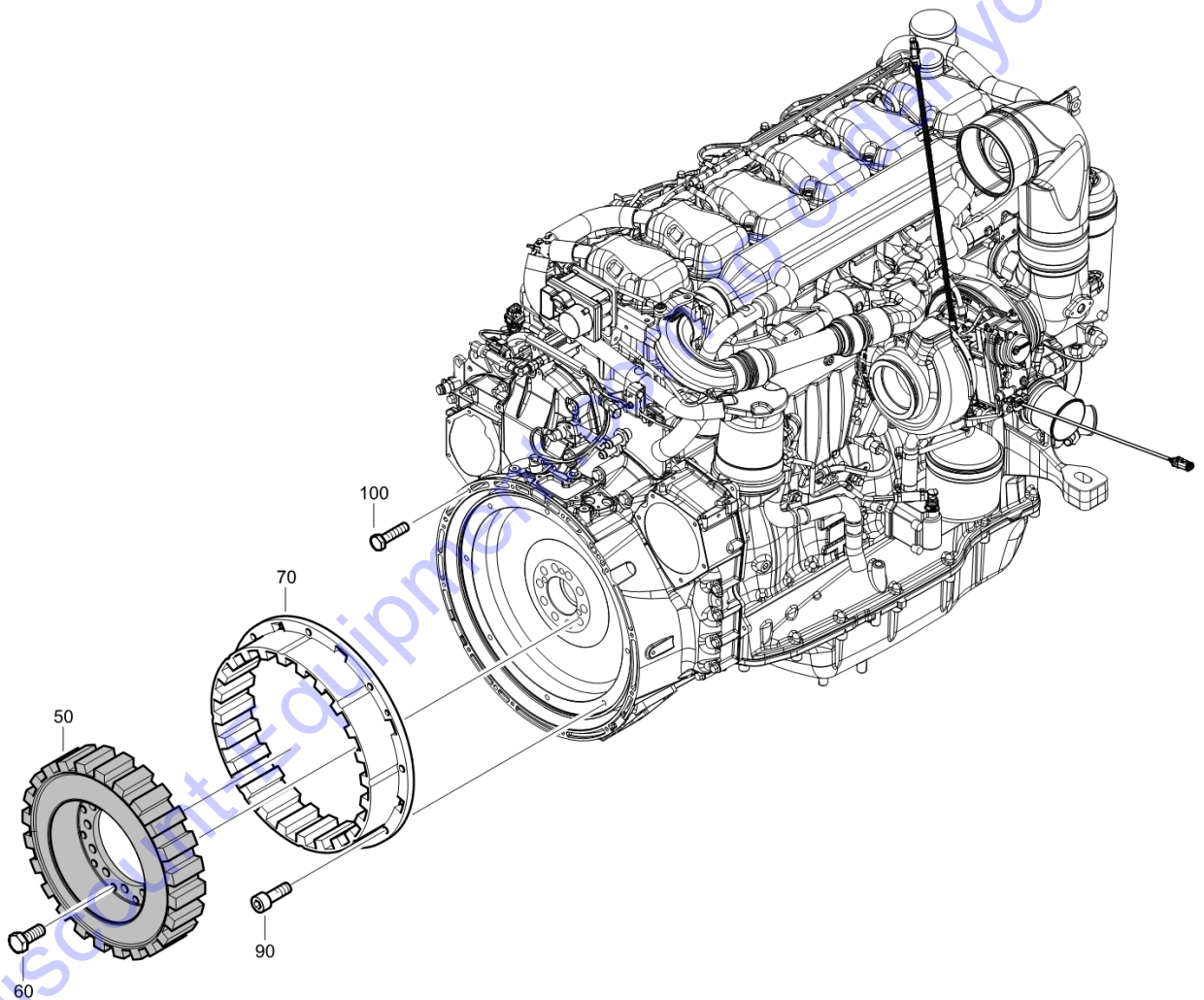
Id	Qty	Number	Name	Specifications
20	1	1638944000	SUPPORT	
30	4	0147140103	SCREW:M12X 30;HEX HD,ZN PLT,\$S	
40	4	0333520009	LOCK WASHER	
50	1	1638944100	SUPPORT	
60	4	0147140103	SCREW:M12X 30;HEX HD,ZN PLT,\$S	
70	4	0333520009	LOCK WASHER	
80	2	1619518901	VIBR. DAMPER	
90	1	1604280300	PLATE	
100	4	0147140103	SCREW:M12X 30;HEX HD,ZN PLT,\$S	
110	4	0333520009	LOCK WASHER	
120	2	0147149403	HEX. HEAD SCREW	
130	2	0300027623	WASHER-FLAT:M16.0/40.0X6.0T,ZN	
200	1	1638948400	GUARD	

Go to Discount-Equipment.com to order your parts



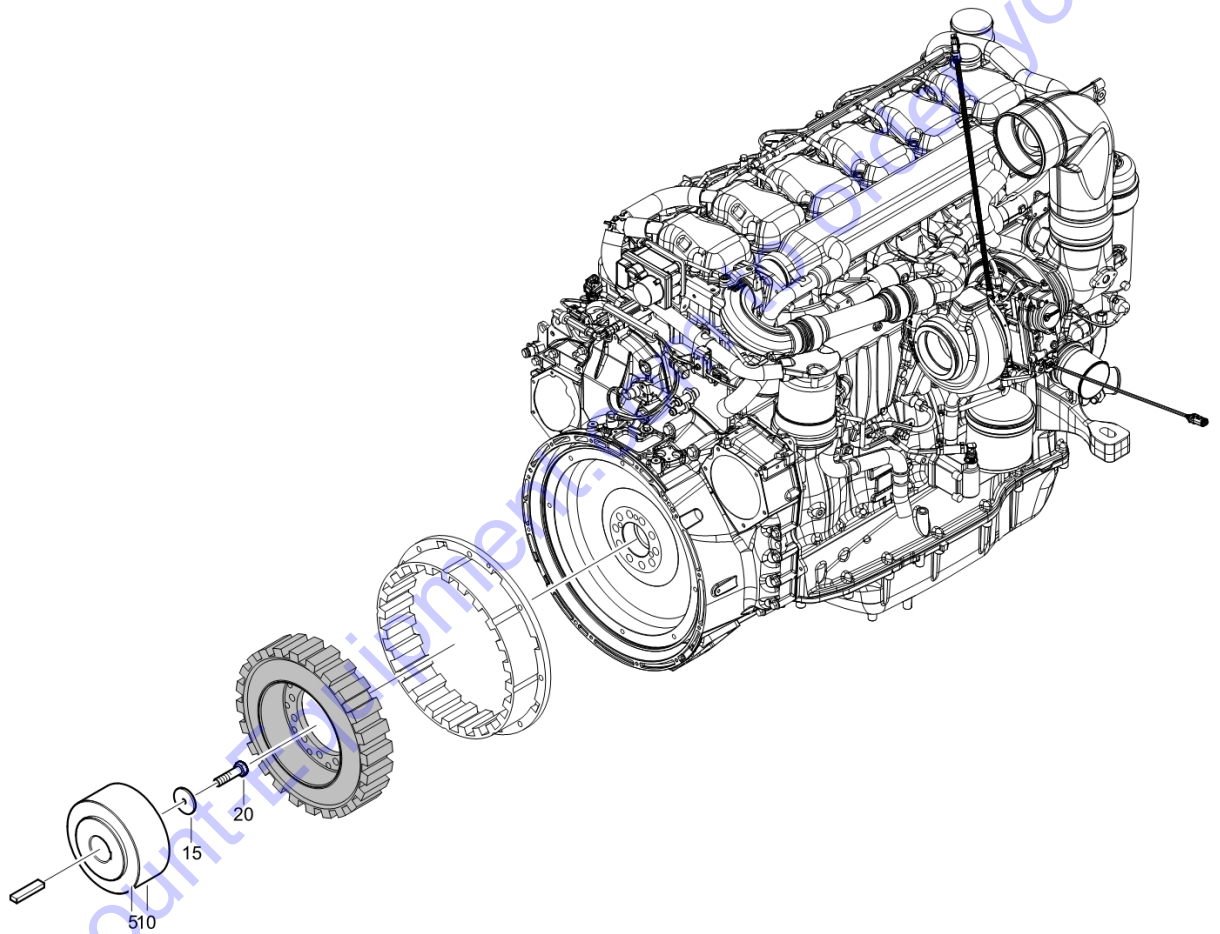
Id	Qty	Number	Name	Specifications
20	1	1638977880	GEARSET I=2.088	

Go to Discount-Equipment.com to order your parts



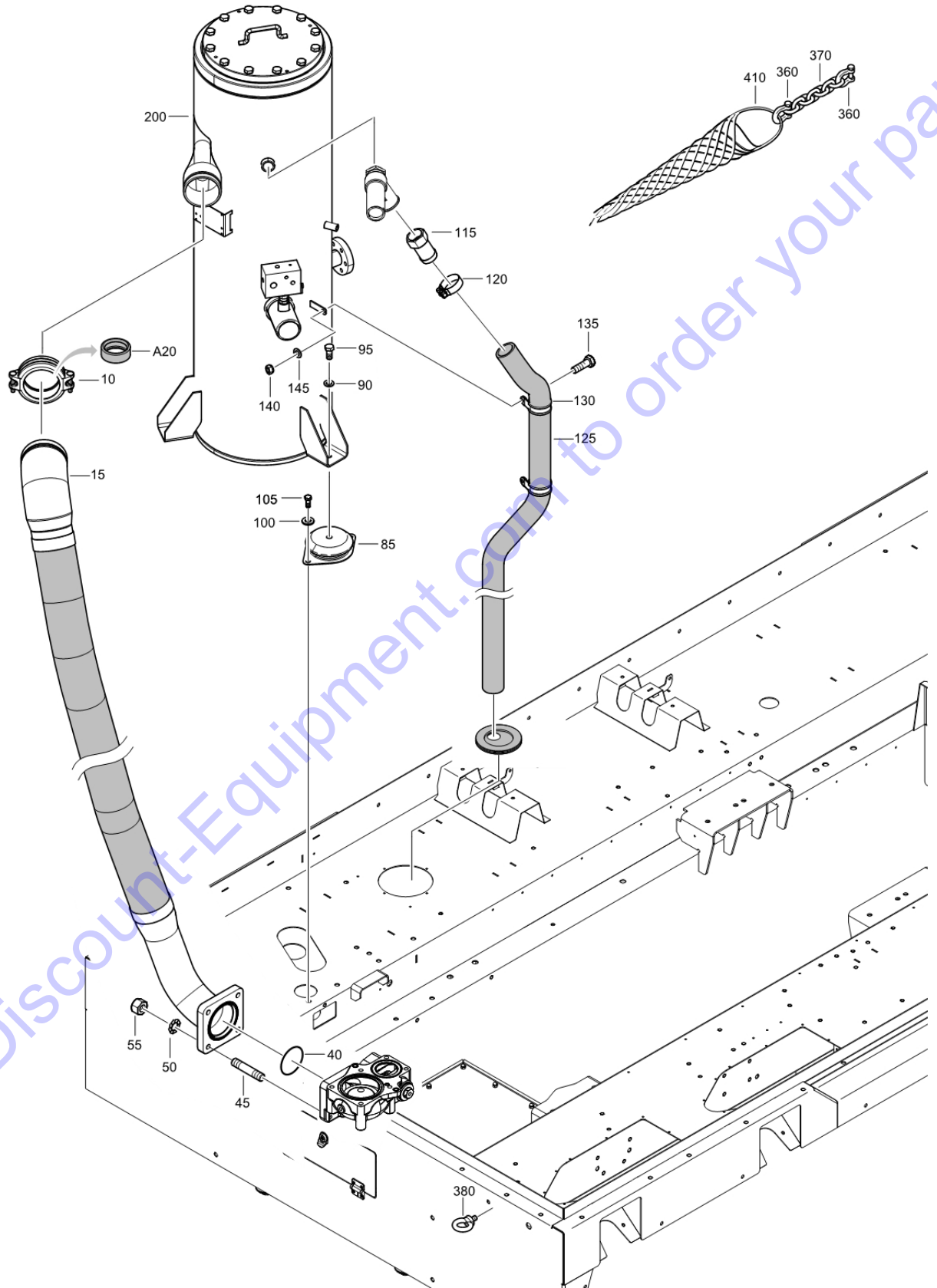
Id	Qty	Number	Name	Specifications
50	1	1626510900	COUPLING ELEMENT	
60	12	0147147703	HEX.BOLT M16X40-8.8	
70	1	1626510800	COUPLING RING	
90	8	0211140203	SCREW-CAP:M 12X1.75X35 \$STL	
100	12	0147136403	HEX. BOLT M10X35X8.8	

Go to Discount-Equipment.com to order your parts

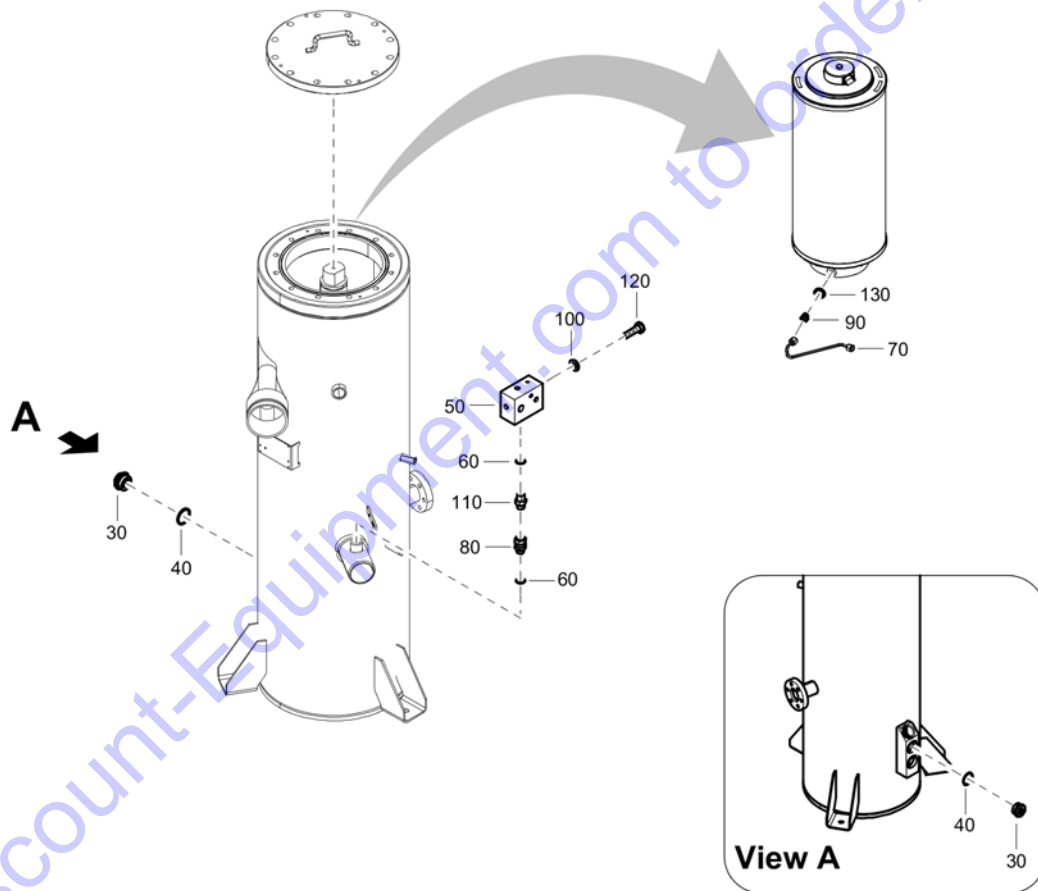


Id	Qty	Number	Name	Specifications
5	1	0337530500	KEY	
10	1	1626511001	COUPLING HUB	
15	1	1638306600	WASHER	
20	1	0147148503	BOLT M16*80 FZB	

Go to Discount-Equipment.com to order your parts

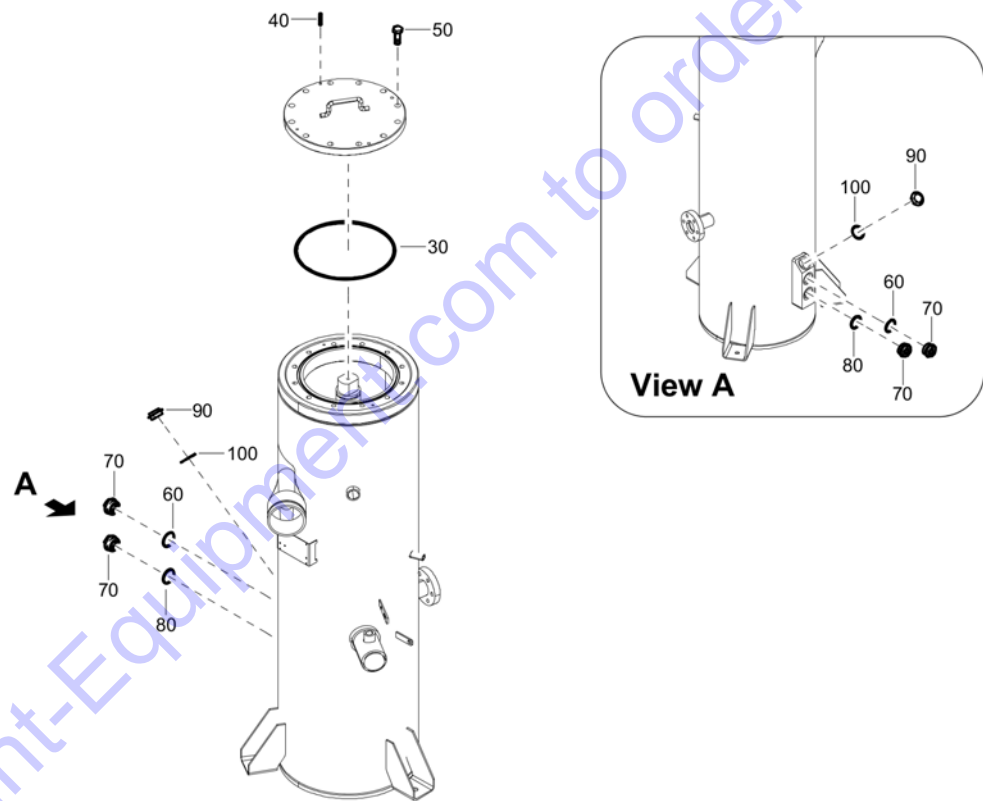


Id	Qty	Number	Name	Specifications
10	1	0634100105	COUPLING 4" VICTAULIC	
A20	1	1604080085	FRAME	
15	1	1638165300	HOSE ASSEMBLY	
40	1	0663714400	ORING ID 99.5MM	
45	4	0246128704	STUD	
50	4	0333520009	LOCK WASHER	
55	4	0266211200	NUT M12	
85	3	1619531801	VIBRATION DAMPER	
90	3	0333520008	WASHER	
95	3	0147147503	SCREW:M16X 30;HEX HD,ZN PLT,\$S	
100	6	0333520009	LOCK WASHER	
105	6	0147140003	SCREW:M12X 25;HEX HD,ZN PLT,\$S	
115	1	1816002000	NIPPLE	
120	1	1079347111	HOSE CLIP	
125	2	0075400557	RUBBER TUBE	
130	2	1619286105	PIPE CLAMP	
135	2	0147136303	SCREW:M10X 30;HEX HD,ZN PLT,\$S	
140	2	0291111100	LOCKNUT:M 10 ZN PLT,\$STL W/NYL	
145	2	0301232100	WASHER M6	
200	1	1638561082	VESSEL	
360	4	0372410008	BOW SHACKLE	
370	2	3163185300	CHAIN	
380	1	0371110021	LIFTING EYE	
410	2	3163185200	WIRE MESH HOSE	



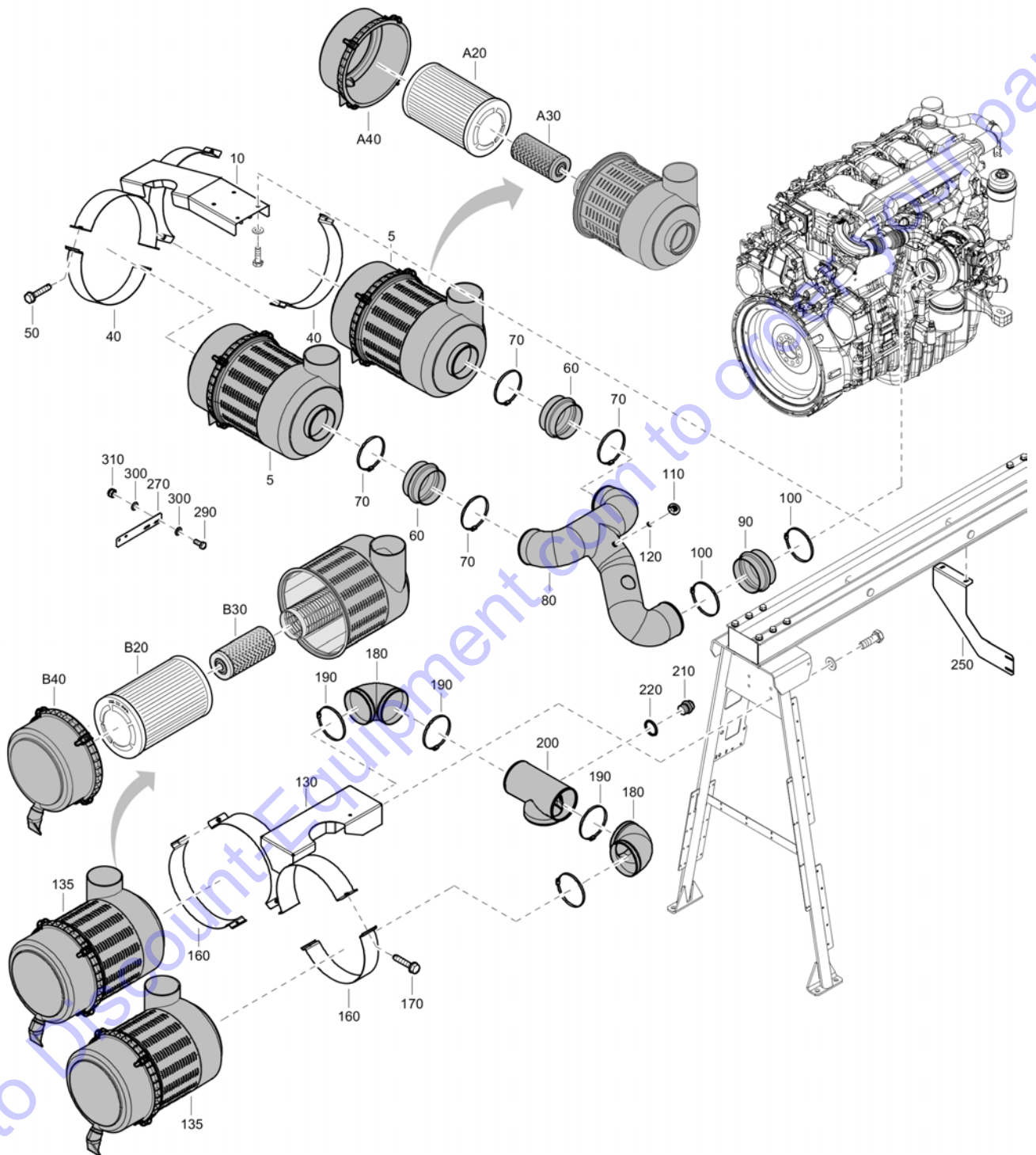
Id	Qty	Number	Name	Specifications
30	2	1638088401	SIGHT GLASS	
40	2	0653122700	GASKET 42 X 49 X 2	
50	1	1638048501	MANIFOLD X1200/W1100	
60	2	0653112400	GASKET 21 X 26 X 1.5	
70	1	1638079601	SCAVENGE LINE	
80	1	0606000039	COUPLING M-F 1/2	
90	1	1619520500	NIPPLE	
100	1	0301233500	WASHER-FLAT:M 8.40/16.0X1.5T	
110	1	0603420010	FITTING	
120	1	0147132503	HEX. HEAD SCREW M8X25	
130	1	0653107000	GASKET 14 X 18 X 1.5	

Go to Discount-Equipment.com to order your parts

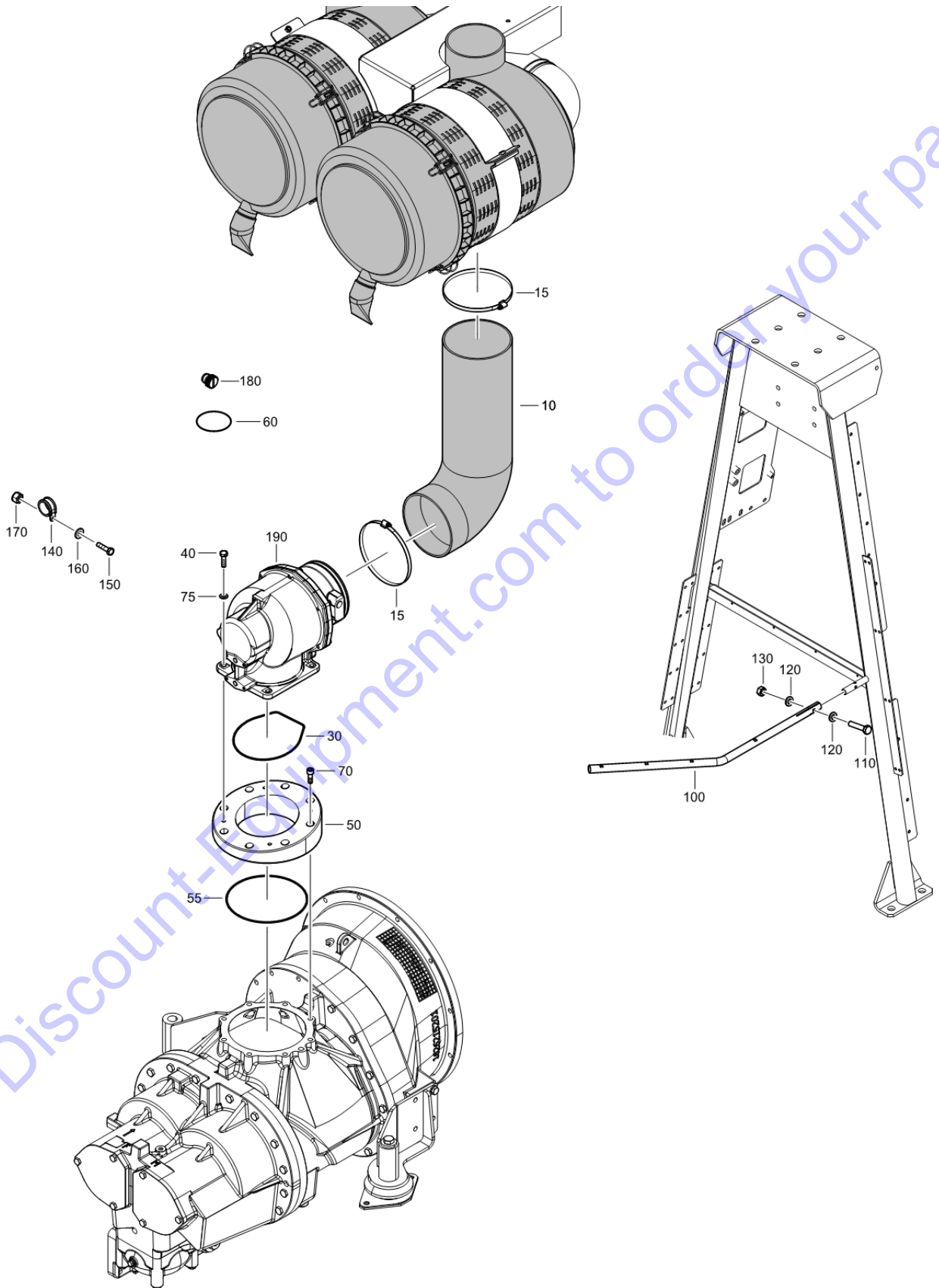


Id	Qty	Number	Name	Specifications
30	1	0663211116	O-RING 291.47X5.33	
40	2	0246195629	ROD	
50	12	0147147803	SCREW:M16X2.00 45MM FULL	
60	1	0661103300	SEAL WASHER	
70	2	0686371602	PLUG G 1/2	
80	1	0653112400	GASKET 21 X 26 X 1.5	
90	1	2250252800	PLUG SCREW	
100	1	0653122700	GASKET 42 X 49 X 2	

Go to Discount-Equipment.com to order your parts

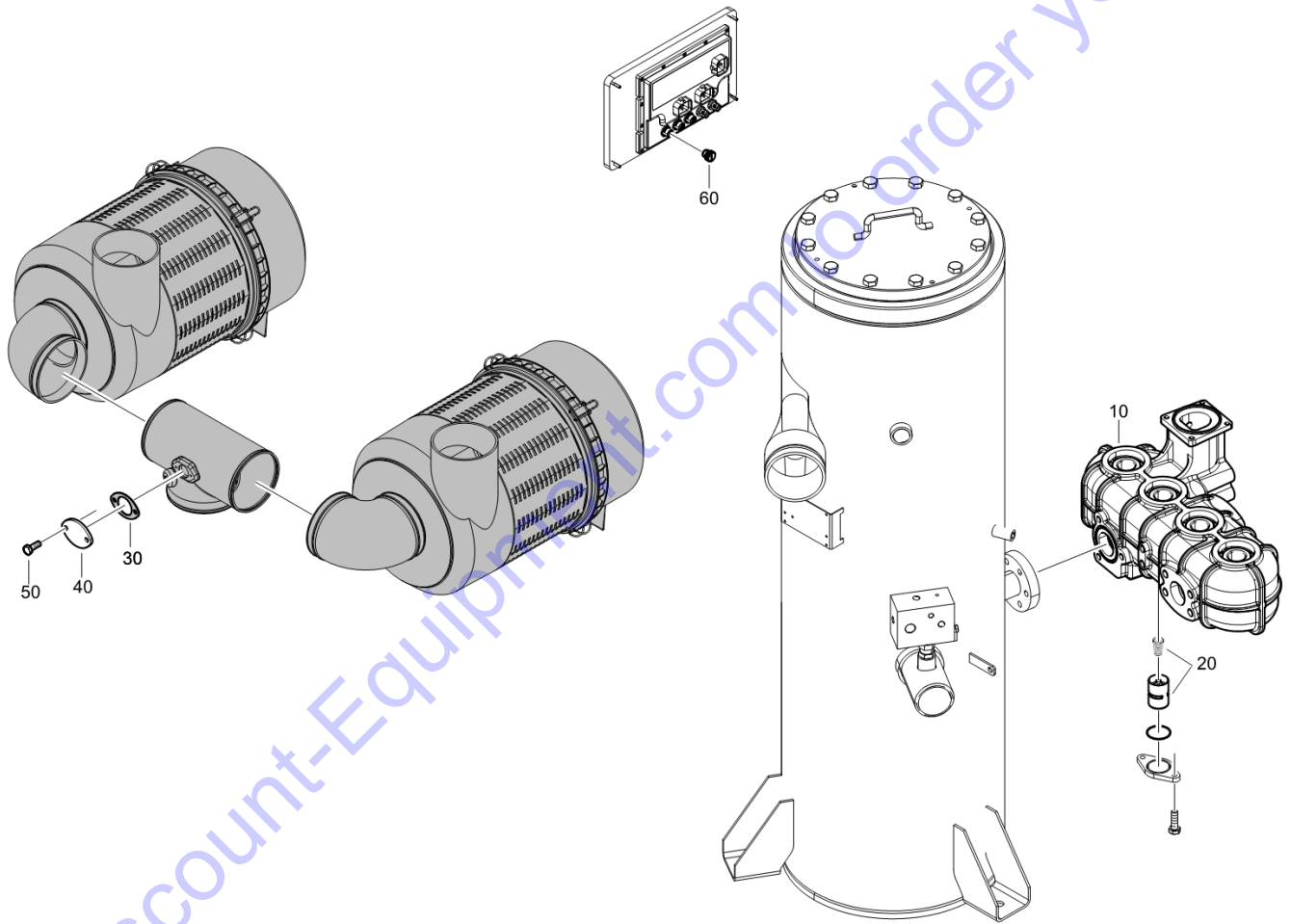


Id	Qty	Number	Name	Specifications
5	2	1604769700	AIR FILTER	
A20	1	2914507700	FILTER ELEMENT OFF-SHORE	
A30	1	2914501800	AIR FILTER SAFETY CARTRIDGE	
A40	1	2914502500	COVER AIR FILTER	
10	1	1626994801	SUPPORT	
40	2	1604012800	CLAMP (AIRFILTER)	
50	4	1619533703	SCR.BOLT M8X40 L994/L993	
60	2	1604993600	HOSE	
70	4	0347612100	HOSE CLIP	
80	1	1638105500	PIPE	Version: 1
90	1	1604993600	HOSE	
100	2	0347612100	HOSE CLIP	
110	1	1089060708	WARNING SWITCH	
120	1	0661101400	SEALING WASHER	
130	1	1626974800	SUPPORT	
135	2	1604769700	AIR FILTER	
B20	1	2914507700	FILTER ELEMENT OFF-SHORE	
B30	1	2914501800	AIR FILTER SAFETY CARTRIDGE	
B40	1	2914502500	COVER AIR FILTER	
160	2	1604012800	CLAMP (AIRFILTER)	
170	4	1619533703	SCR.BOLT M8X40 L994/L993	
180	2	1604235600	HOSE	
190	4	0347612100	HOSE CLIP	
200	1	1604275802	AIR DUCT	
210	1	0686423100	PLUG	
220	1	0653116200	GASKET 27 X 32 X 2	
250	1	1638211500	PLATE ANCHOR	
270	1	1638211400	PLATE ANCHOR	
290	2	0147132203	HEX. HEAD SCREW M8 X 16	
300	4	0301233500	WASHER-FLAT:M 8.40/16.0X1.5T	
310	2	0291111000	LOCK NUT M8	



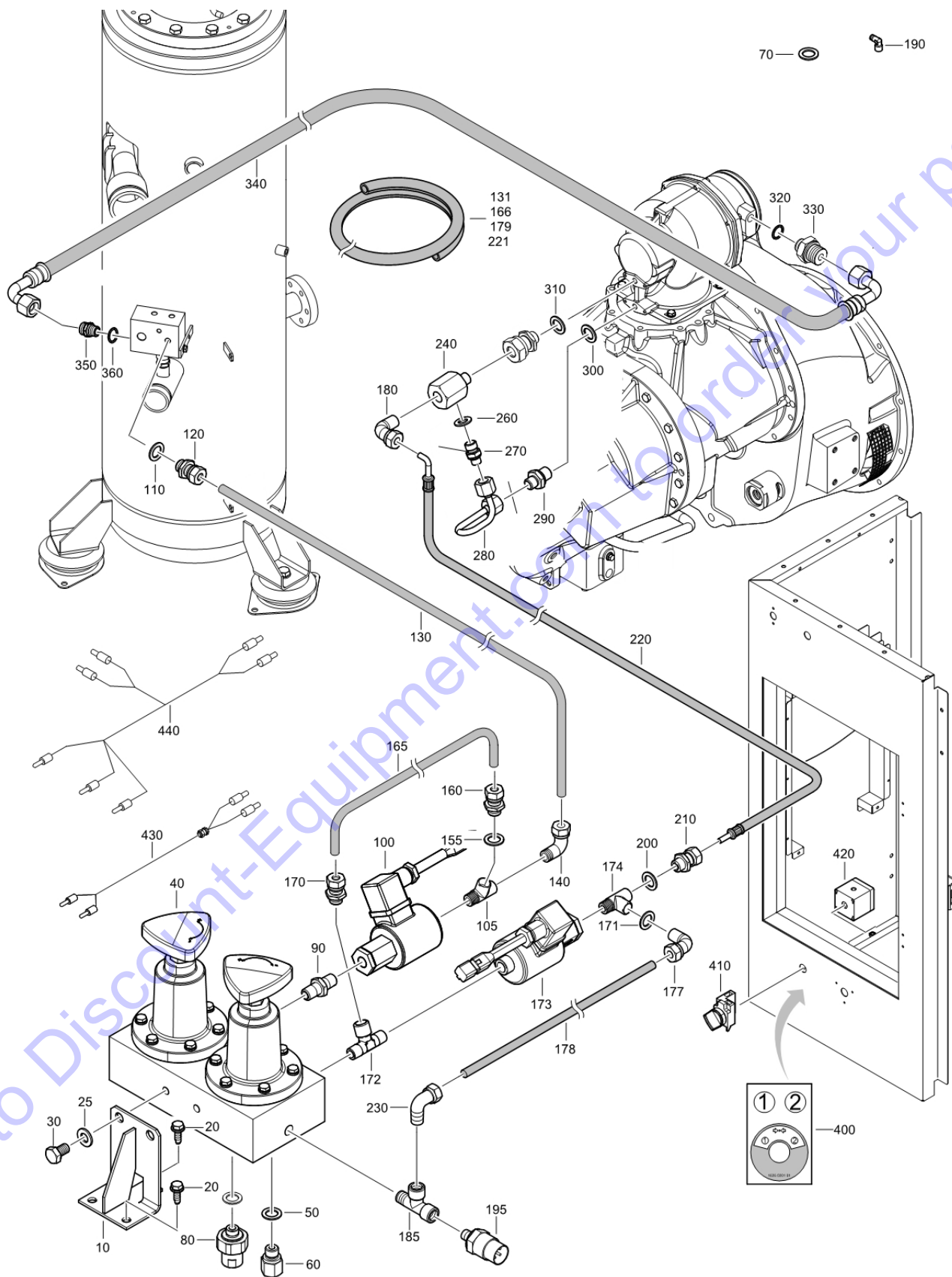
Id	Qty	Number	Name	Specifications
10	1	1638998100	PIPE	
15	2	0347612200	HOSE CLAMP	
30	1	0663210971	O-RING	
40	4	0147136303	SCREW:M10X 30;HEX HD,ZN PLT,\$S	
50	1	1638095500	FLANGE ADAPTOR	
55	1	0663312400	O-RING	
60	1	0663210319	O-RING	
70	8	0211140100	HEX SOCK. SCREW	
75	4	0301234400	WASHER-FLAT:M10.5/22.0X2.0T	
100	1	1638269000	GUIDE	
110	1	0147124903	HEX. BOLT M6X25X8.8	
120	2	0301232100	WASHER M6	
130	1	0266210800	NUT M6	
140	2	1613080107	Clamp	
150	2	0147124903	HEX. BOLT M6X25X8.8	
160	2	0301232100	WASHER M6	
170	2	0266210800	NUT M6	
180	1	1638380435	PROTECTION CAP	
190	1	1626215382	INTAKE VALVE	

Go to Discount-Equipment.com to order your parts



Id	Qty	Number	Name	Specifications
10	1	1626291683	4 FILTER HOUSING	
20	1	1202586901	THERMOSTAT	
30	1	1626509301	GASKET	
40	1	1626509201	FLANGE	
50	2	0147124603	HEX. BOLT M6X16X8.8	
60	1	1638380435	PROTECTION CAP	

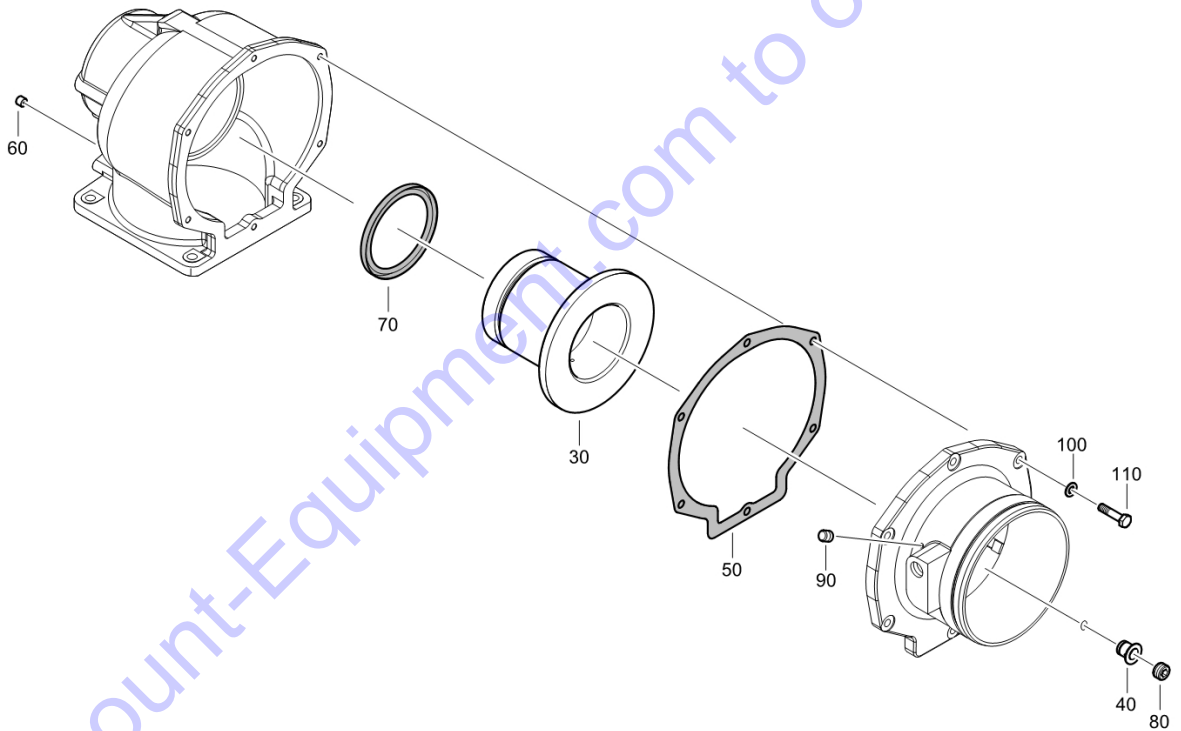
Go to Discount-Equipment.com to order your parts



Id	Qty	Number	Name	Specifications
10	1	1638091400	SUPPORT	
20	3	0147196272	HEX. HEAD SCREW	
25	2	0301234400	WASHER-FLAT:M10.5/22.0X2.0T	
30	2	0147136003	HEXAGON BOLT	
40	1	1638098881	HOUSING VALVE	
50	1	0653106200	GASKET 13 X 20 X 1.5	
60	1	1638311901	REDUCER	
70	1	0653106200	GASKET 13 X 20 X 1.5	
80	2	1638092782	DRAIN	
90	1	0581202536	NIPPLE	
100	1	1089045107	VALVE SOLENOID	
105	1	0560441105	TEE	
110	1	0653106200	GASKET 13 X 20 X 1.5	
120	1	0583812221	STRAIGHT COUPLING	
130	1	0574800308	FLEXIBLE	
131	0.69	1079900508	INSULATING HOSE	
140	1	0581122804	PIPE COUPLING TYPE 2.1	
155	1	0653106200	GASKET 13 X 20 X 1.5	
160	1	0583812221	STRAIGHT COUPLING	
165	1	0574800306	FLEXIBLE	
166	0.26	1079900508	INSULATING HOSE	
170	1	0583812221	STRAIGHT COUPLING	
171	1	0653106200	GASKET 13 X 20 X 1.5	
172	1	0560440165	TEE	
173	1	1089045107	VALVE SOLENOID	
174	1	0560441105	TEE	
177	1	0581122804	PIPE COUPLING TYPE 2.1	
178	1	0574800304	FLEXIBLE	
179	0.18	1079900508	INSULATING HOSE	
180	1	0581122804	PIPE COUPLING TYPE 2.1	
185	1	0560441105	TEE	
190	1	9740202612	ELBOW	
195	1	1607852293	PRESS. SENSOR:0 TO 3 BAR IP67	
200	1	0653106200	GASKET 13 X 20 X 1.5	
210	1	0583812221	STRAIGHT COUPLING	
220	1	0574800309	FLEXIBLE	
221	1.12	1079900508	INSULATING HOSE	
230	1	0581122804	PIPE COUPLING TYPE 2.1	
240	1	1626169581	VALVE THROTTLE	
260	1	0653104300	GASKET	
270	1	0571003697	NIPPLE	
280	1	1626201301	PIPE ASSY	
290	1	1619520500	NIPPLE	
300	1	0653106200	GASKET 13 X 20 X 1.5	
310	1	0653106200	GASKET 13 X 20 X 1.5	
320	1	0653112400	GASKET 21 X 26 X 1.5	
330	1	0603420010	FITTING	
340	1	1816110700	HOSE ASSEMBLY	

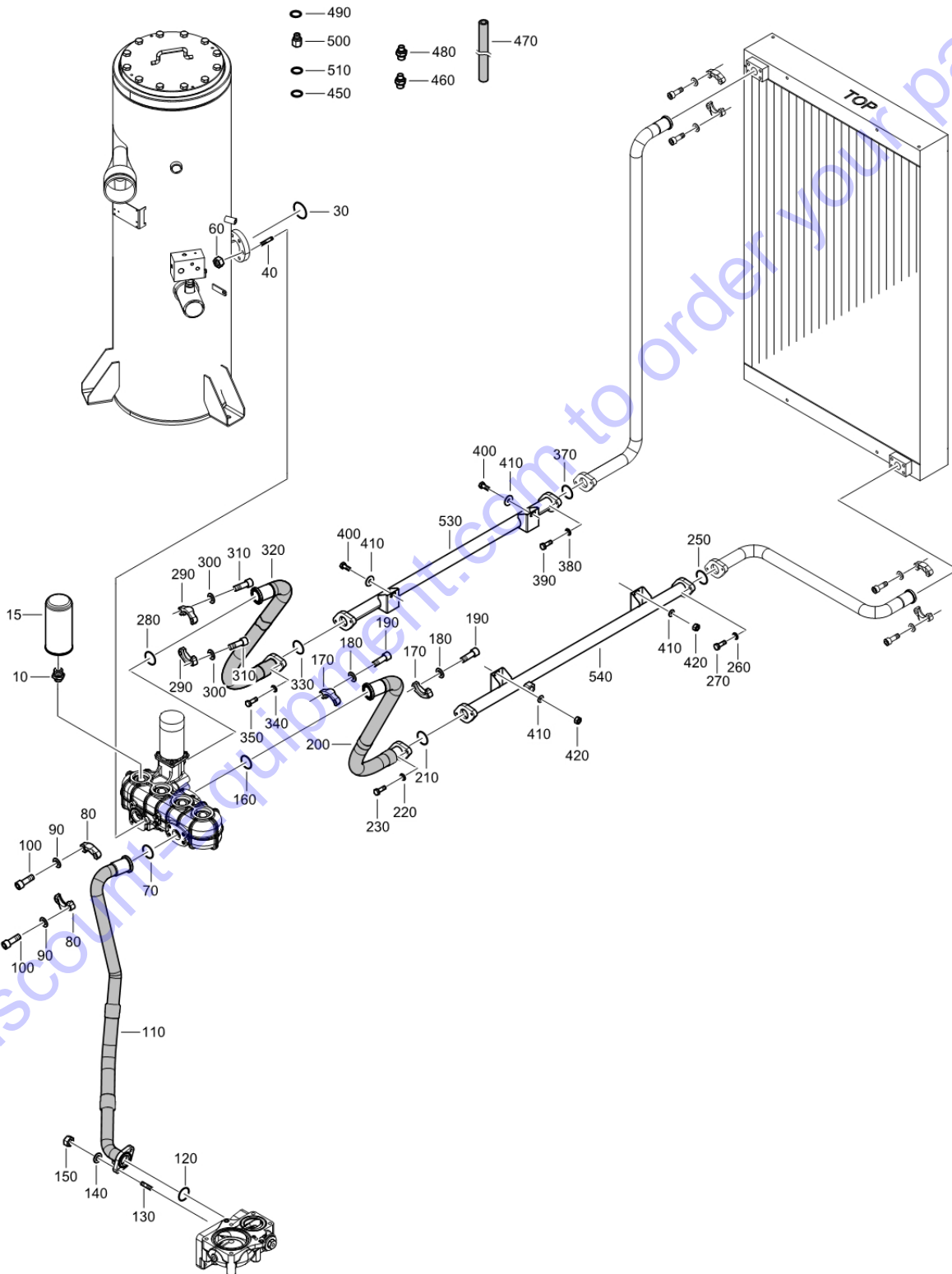
Id	Qty	Number	Name	Specifications
350	1	0603420010	FITTING	
360	1	0653112400	GASKET 21 X 26 X 1.5	
400	1	1626020101	DECAL INSTRUCT.	
410	1	1089026327	SELECTOR SWITCH	
420	1	1638850300	ENCLOSURE	
430	1	1638405210	WIRE HARNESS	
440	1	1638092603	WIRE HARNESS	

Go to Discount-Equipment.com to order your parts

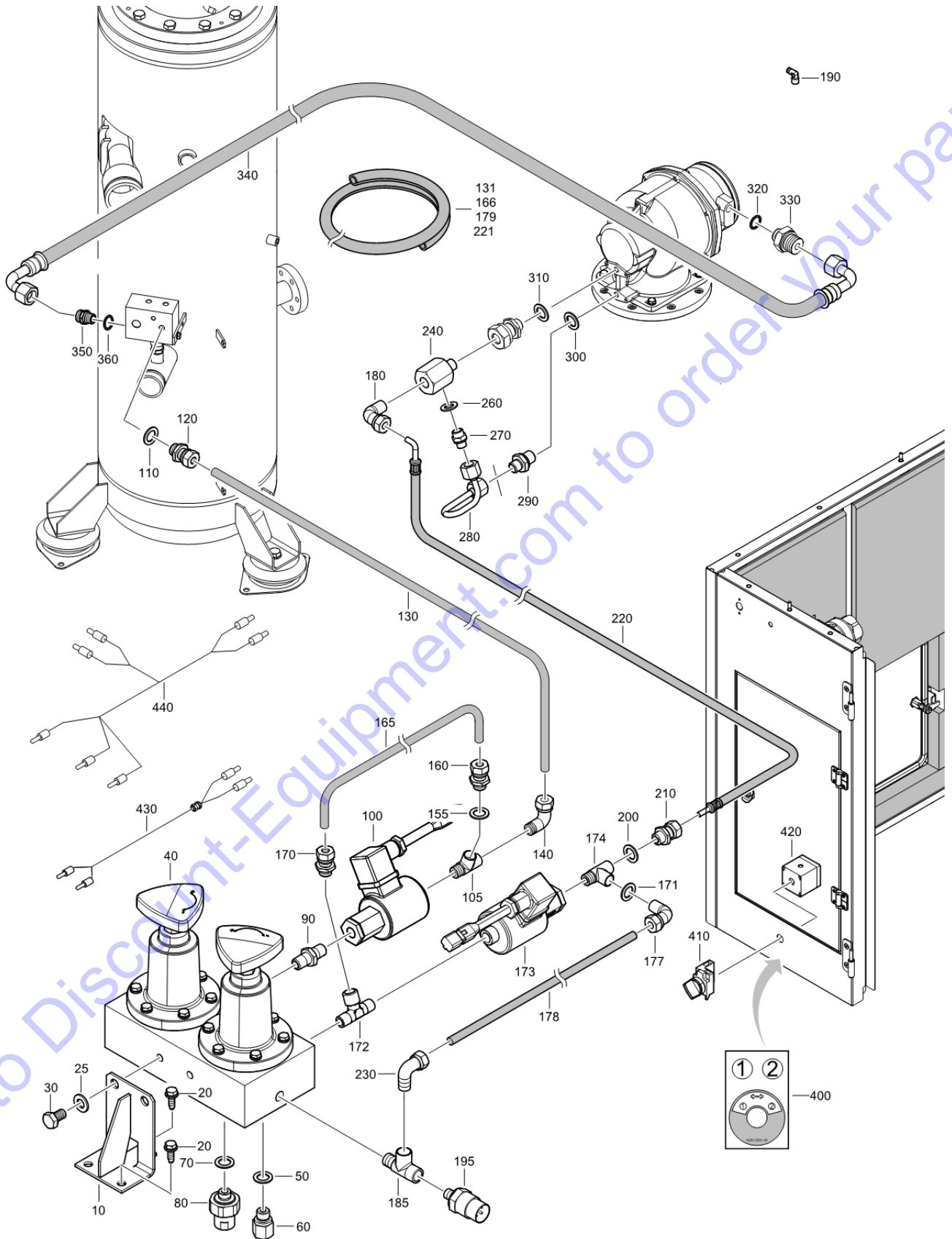


Id	Qty	Number	Name	Specifications
30	1	1626218900	PISTON	
40	1	1638921000	VALVE	
50	1	1626469100	GASKET	
60	1	1626238000	NOZZLE	
70	1	1626237100	SEAL	
80	1	1613291300	PLUG	
90	1	0686260600	M6 THREAD PLUG	
100	6	0301233500	WASHER-FLAT:M 8.40/16.0X1.5T	
110	6	0147132703	HEX. HEAD SCREW	

Go to Discount-Equipment.com to order your parts



Id	Qty	Number	Name	Specifications
10	4	1638102900	NIPPLE	
15	4	1626088200	FILTER OIL	
30	1	0663986800	O-RING	
40	3	0246124204	SCREWED STUD	
60	3	0266211100	HEXAGON NUT M10	
70	1	0663211431	O-RING	
80	2	3176792200	FLANGE	
90	4	0333520009	LOCK WASHER	
100	4	0147140203	HEX. HEAD SCREW M12 X 35	
110	1	1638946800	HOSE ASSEMBLY	
120	1	0663713500	O-RING 54.5 X 3	
130	2	0246128704	STUD	
140	2	0333520009	LOCK WASHER	
150	2	0266211200	NUT M12	
160	1	0663211431	O-RING	
170	2	3176792200	FLANGE	
180	4	0333520009	LOCK WASHER	
190	4	0147140203	HEX. HEAD SCREW M12 X 35	
200	1	1626954301	HOSE ASSEMBLY	
210	1	0663713500	O-RING 54.5 X 3	
220	2	0333520015	M8 NORDLOCK WASHER	
230	2	0147132603	SCREW:M 8X 30;HEX HD,ZN PLT,\$S	
250	1	0663713500	O-RING 54.5 X 3	
260	2	0333520015	M8 NORDLOCK WASHER	
270	2	0147132603	SCREW:M 8X 30;HEX HD,ZN PLT,\$S	
280	1	0663211431	O-RING	
290	2	3176792200	FLANGE	
300	4	0333520009	LOCK WASHER	
310	4	0147140203	HEX. HEAD SCREW M12 X 35	
320	1	1626954501	HOSE ASSEMBLY	
330	1	0663713500	O-RING 54.5 X 3	
340	2	0333520015	M8 NORDLOCK WASHER	
350	2	0147132603	SCREW:M 8X 30;HEX HD,ZN PLT,\$S	
370	1	0663713500	O-RING 54.5 X 3	
380	2	0333520015	M8 NORDLOCK WASHER	
390	2	0147132603	SCREW:M 8X 30;HEX HD,ZN PLT,\$S	
400	2	0147132303	SCREW HEXAGON	
410	4	0300801900	WASHER-FLAT:M 8.40/25.0X2.0T	
420	2	0266211000	NUT:M 8.0DX 6.8H HEX,ZN PLT,\$S	
450	1	0653112400	GASKET 21 X 26 X 1.5	
460	1	1079584019	HEXAGON NIPPLE	
470	1	0575079149	FLEXIBLE	
480	1	1619520500	NIPPLE	
490	1	0653106200	GASKET 13 X 20 X 1.5	
500	1	1638000000	REDUCER PRESSURE	
510	1	0653106200	GASKET 13 X 20 X 1.5	
530	1	1638064401	PIPE	
540	1	1638064501	PIPE	

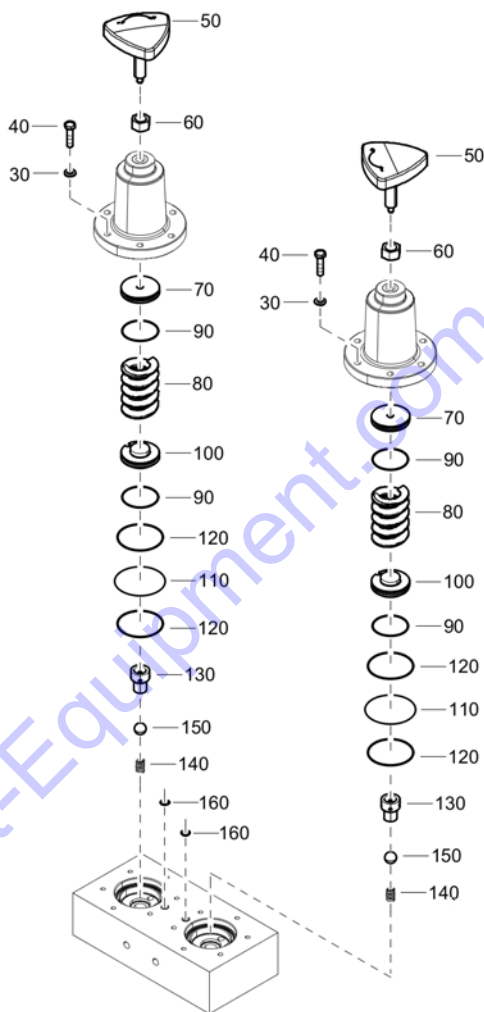


Id	Qty	Number	Name	Specifications
10	1	1638091400	SUPPORT	
10	1	1638091400	SUPPORT	
20	3	0147196272	HEX. HEAD SCREW	
20	3	0147196272	HEX. HEAD SCREW	
25	2	0301234400	WASHER-FLAT:M10.5/22.0X2.0T	
25	2	0301234400	WASHER-FLAT:M10.5/22.0X2.0T	
30	2	0147136003	HEXAGON BOLT	
30	2	0147136003	HEXAGON BOLT	
40	1	1638098881	HOUSING VALVE	
40	1	1638098881	HOUSING VALVE	
50	1	0653106200	GASKET 13 X 20 X 1.5	
50	1	0653106200	GASKET 13 X 20 X 1.5	
60	1	1638311901	REDUCER	
60	1	1638311901	REDUCER	
70	1	0653106200	GASKET 13 X 20 X 1.5	
70	1	0653106200	GASKET 13 X 20 X 1.5	
80	2	1638092782	DRAIN	
80	2	1638092782	DRAIN	
90	1	0581202536	NIPPLE	
90	1	0581202536	NIPPLE	
100	1	1089045107	VALVE SOLENOID	
100	1	1089045107	VALVE SOLENOID	
105	1	0560441105	TEE	
105	1	0560441105	TEE	
110	1	0653106200	GASKET 13 X 20 X 1.5	
110	1	0653106200	GASKET 13 X 20 X 1.5	
120	1	0581002801	PIPE COUPLING	
120	1	0581002801	PIPE COUPLING	
130	1	0574800308	FLEXIBLE	
130	1	0574800308	FLEXIBLE	
131	1	1079900508	INSULATING HOSE	
131	1	1079900508	INSULATING HOSE	
140	1	0581122804	PIPE COUPLING TYPE 2.1	
140	1	0581122804	PIPE COUPLING TYPE 2.1	
155	1	0653106200	GASKET 13 X 20 X 1.5	
155	1	0653106200	GASKET 13 X 20 X 1.5	
160	1	0581002801	PIPE COUPLING	
160	1	0581002801	PIPE COUPLING	
165	1	0574800306	FLEXIBLE	
165	1	0574800306	FLEXIBLE	
166	1	1079900508	INSULATING HOSE	
166	1	1079900508	INSULATING HOSE	
170	1	0581002801	PIPE COUPLING	
170	1	0581002801	PIPE COUPLING	
171	1	0653106200	GASKET 13 X 20 X 1.5	
171	1	0653106200	GASKET 13 X 20 X 1.5	
172	1	0560440165	TEE	
172	1	0560440165	TEE	

Id	Qty	Number	Name	Specifications
173	1	1089045107	VALVE SOLENOID	
173	1	1089045107	VALVE SOLENOID	
174	1	0560441105	TEE	
174	1	0560441105	TEE	
177	1	0581122804	PIPE COUPLING TYPE 2.1	
177	1	0581122804	PIPE COUPLING TYPE 2.1	
178	1	0574800304	FLEXIBLE	
178	1	0574800304	FLEXIBLE	
179	1	1079900508	INSULATING HOSE	
179	1	1079900508	INSULATING HOSE	
180	1	0581122804	PIPE COUPLING TYPE 2.1	
180	1	0581122804	PIPE COUPLING TYPE 2.1	
185	1	0560441105	TEE	
185	1	0560441105	TEE	
190	1	9740202612	ELBOW	
190	1	9740202612	ELBOW	
195	1	1607852293	PRESS. SENSOR:0 TO 3 BAR IP67	
195	1	1607852293	PRESS. SENSOR:0 TO 3 BAR IP67	
200	1	0653106200	GASKET 13 X 20 X 1.5	
200	1	0653106200	GASKET 13 X 20 X 1.5	
210	1	0581002801	PIPE COUPLING	
210	1	0581002801	PIPE COUPLING	
220	1	0574800309	FLEXIBLE	
220	1	0574800309	FLEXIBLE	
221	2	1079900508	INSULATING HOSE	
221	2	1079900508	INSULATING HOSE	
230	1	0581122804	PIPE COUPLING TYPE 2.1	
230	1	0581122804	PIPE COUPLING TYPE 2.1	
240	1	1626169581	VALVE THROTTLE	
240	1	1626169581	VALVE THROTTLE	
260	1	0653104300	GASKET	
260	1	0653104300	GASKET	
270	1	0571003697	NIPPLE	
270	1	0571003697	NIPPLE	
280	1	1626201301	PIPE ASSY	
280	1	1626201301	PIPE ASSY	
290	1	1619520500	NIPPLE	
290	1	1619520500	NIPPLE	
300	1	0653106200	GASKET 13 X 20 X 1.5	
300	1	0653106200	GASKET 13 X 20 X 1.5	
310	1	0653106200	GASKET 13 X 20 X 1.5	
310	1	0653106200	GASKET 13 X 20 X 1.5	
320	1	0653112400	GASKET 21 X 26 X 1.5	
320	1	0653112400	GASKET 21 X 26 X 1.5	
330	1	1079584035	NIPPLE	
330	1	1079584035	NIPPLE	
340	1	0574800314	FLEXIBLE	
340	1	0574800314	FLEXIBLE	

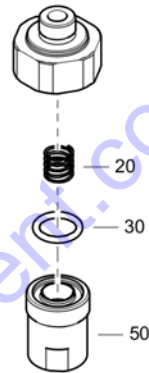
Id	Qty	Number	Name	Specifications
350	1	1079584035	NIPPLE	
350	1	1079584035	NIPPLE	
360	1	0653112400	GASKET 21 X 26 X 1.5	
360	1	0653112400	GASKET 21 X 26 X 1.5	
400	1	1626020101	DECAL INSTRUCT.	
400	1	1626020101	DECAL INSTRUCT.	
410	1	1089026327	SELECTOR SWITCH	
410	1	1089026327	SELECTOR SWITCH	
420	1	1638850300	ENCLOSURE	
420	1	1638850300	ENCLOSURE	
430	1	1638405210	WIRE HARNESS	
430	1	1638405210	WIRE HARNESS	
440	1	1638092603	WIRE HARNESS	
440	1	1638092603	WIRE HARNESS	

Go to Discount-Equipment.com to order your parts



Id	Qty	Number	Name	Specifications
30	12	0301232100	WASHER M6	
40	12	0147124903	HEX. BOLT M6X25X8.8	
50	2	1604708401	Screw	
60	2	0266211200	NUT M12	
70	2	1626008800	Spring seat	
80	2	1626008900	SPRING	
90	4	0663313200	O-RING 36,2 X 3	
100	2	2252405800	SPRING GUIDE	
110	2	1604707600	MEMBRANE	
120	4	0663210561	O-ring	
130	2	2252405700	CAGE	
140	2	1626019800	SPRING	
150	2	0517142000	BEARING BALL	
160	2	0663711200	O-RING	

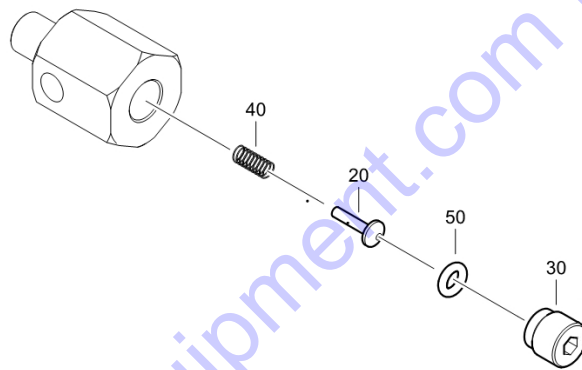
Go to Discount-Equipment.com to order your parts



Go to Discount-Equipment.com to order your parts

Id	Qty	Number	Name	Specifications
20	1	0384500029	Spring compression	
30	1	0663312000	O-RING 13.3X2.4	
50	1	1638092902	NIPPLE	

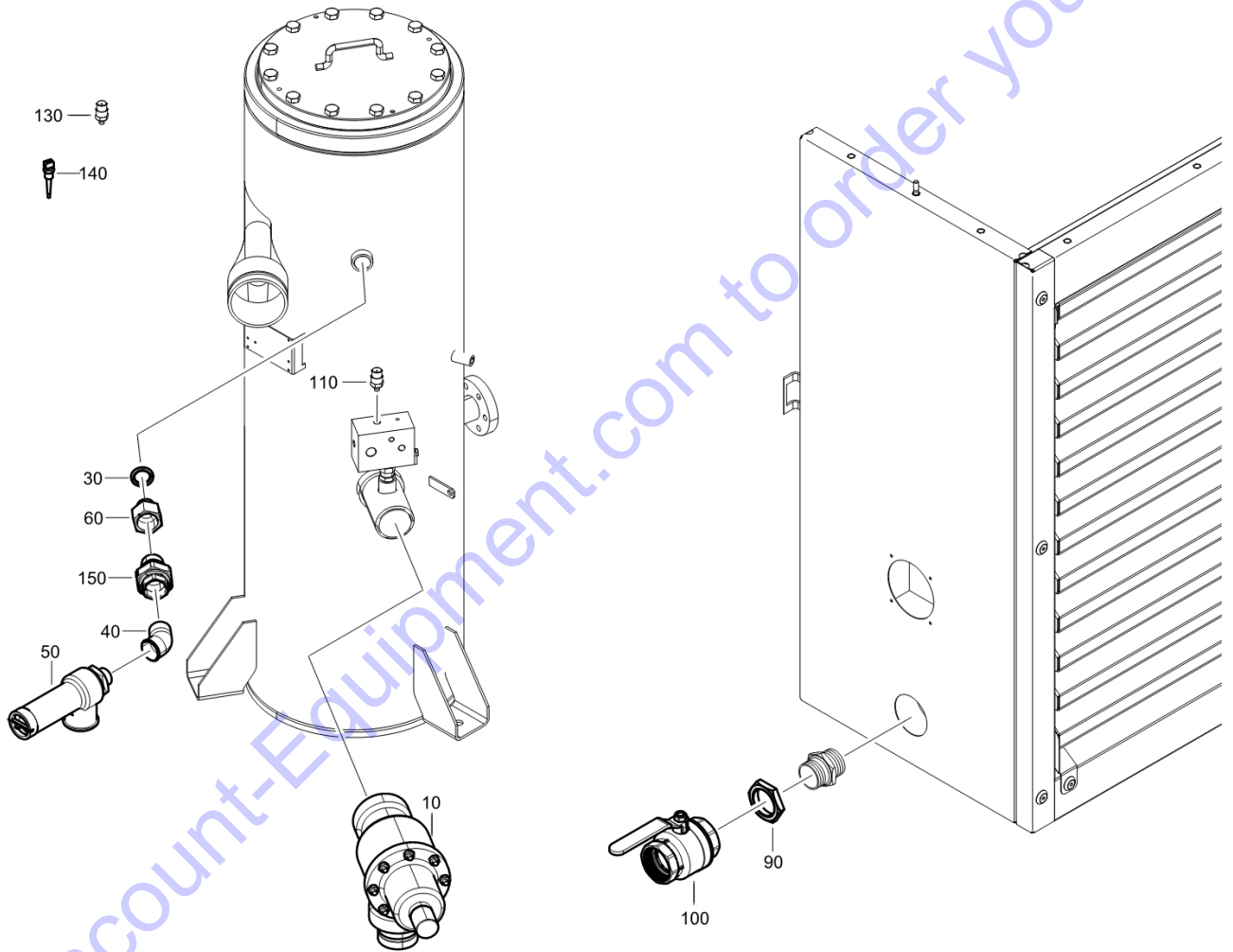
Go to Discount-Equipment.com to order your parts



Go to Discount-Equipment.com to order your parts

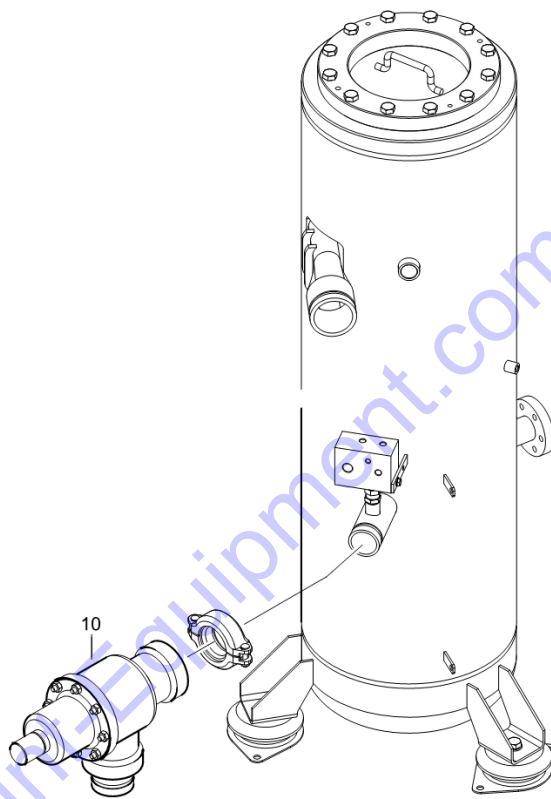
Id	Qty	Number	Name	Specifications
20	1	1626169600	VALVE	
30	1	1626169700	GUIDE	
40	1	0384500044	COMPRESS.SPR	
50	1	0663210930	O-RING 5.3X2.4	

Go to Discount-Equipment.com to order your parts



Id	Qty	Number	Name	Specifications
10	1	1626271600	UNDER PRESSURE VALVE	
30	1	0661100030	SEAL WASHER	
40	1	0560020050	ELBOW	
50	1	1816018700	SAFETY VALVE	
60	1	1816005400	NIPPLE	
90	1	0623210009	BACKNUT	
100	1	1638933600	OUTLET VALVE	
110	1	1607852289	PRESSURE SENSOR	
130	1	1607852289	PRESSURE SENSOR	
140	1	1089057470	TEMPERATURE SENSOR	
150	1	0586100804	FITTING PIPE	

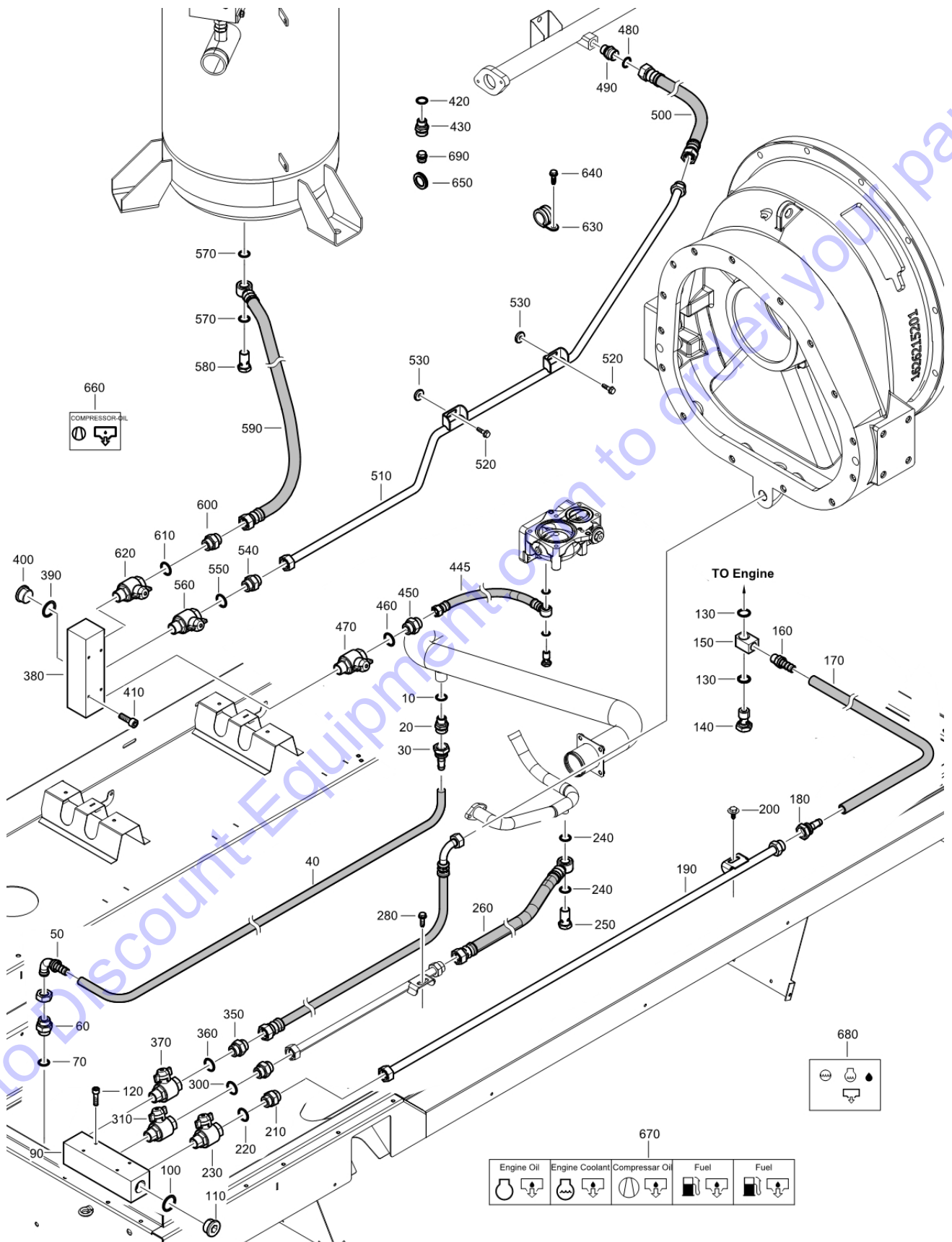
Go to Discount-Equipment.com to order your parts



Go to [DiscountEquipment.com](https://discountequipment.com) to order your parts

Id	Qty	Number	Name	Specifications
-	1	2914900175	SERVICE KIT - MINIMUM PRESSURE VALVE	
10	1		MPV SERVICE KIT	

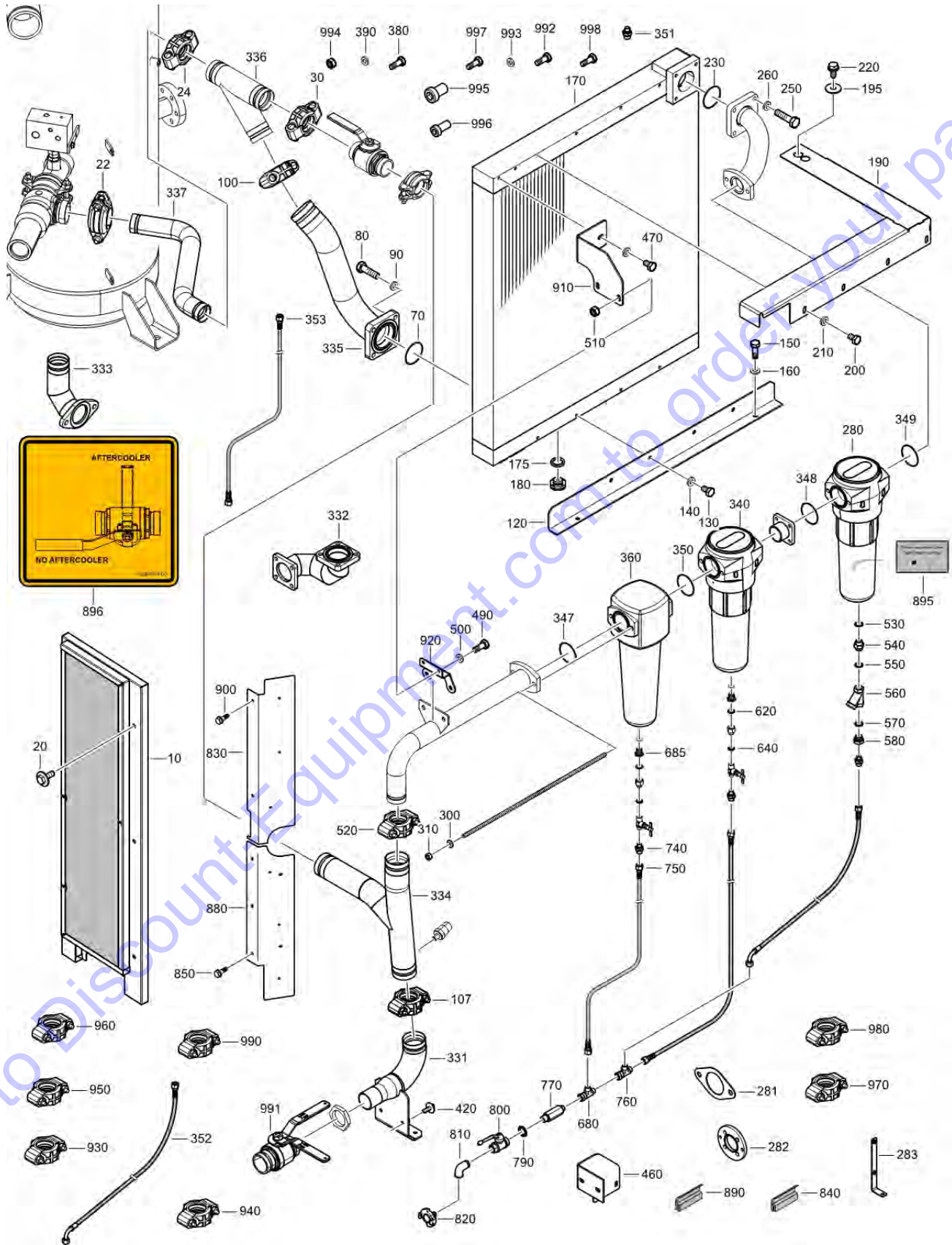
Go to Discount-Equipment.com to order your parts



Id	Qty	Number	Name	Specifications
10	1	0653112400	GASKET 21 X 26 X 1.5	
20	1	1079584015	NIPPLE M26-G1/2	
30	1	1604199100	NIPPLE	
40	4	0075402579	HOSE	
50	1	1604022000	CONNECTOR	
60	1	1079584029	NIPPLE M26 - G3/4"	
70	1	0653116500	FLAT GASKET	
90	1	1638084800	BLOCK MOUNTING	
100	1	0653050021	COPPER GASKET	
110	1	0686644800	HEXAGON PLUG	
120	4	0211124603	HEX. SOCK M6X16X8.8	
130	2	0653114800	FLAT GASKET	
140	1	1638085500	BOLT HEXAGON	
150	1	1638085600	BLOCK MOUNTING	
160	1	0571002036	HOSE NIPPLE	
170	1	0075402579	HOSE	
180	1	1604199100	NIPPLE	
190	1	1626988101	PIPE	
200	1	1619276600	SCREW-SELF TAP:M 8X 20 HEX HD,	
210	1	1079584029	NIPPLE M26 - G3/4"	
220	1	0653116500	FLAT GASKET	
230	1	1607856898	VALVE	
240	2	0653112400	GASKET 21 X 26 X 1.5	
250	1	0627510023	HOLLOW SCREW	
260	1	1626990701	HOSE ASSEMBLY	
280	1	1619276600	SCREW-SELF TAP:M 8X 20 HEX HD,	
300	1	0653116500	FLAT GASKET	
310	1	1607856898	VALVE	
350	1	1079584029	NIPPLE M26 - G3/4"	
360	1	0653116500	FLAT GASKET	
370	1	1607856898	VALVE	
380	1	1638084800	BLOCK MOUNTING	
390	1	0653050021	COPPER GASKET	
400	1	0686644800	HEXAGON PLUG	
410	4	0211124603	HEX. SOCK M6X16X8.8	
420	1	0653112400	GASKET 21 X 26 X 1.5	
430	1	1079584015	NIPPLE M26-G1/2	
445	1	1626990602	HOSE ASSEMBLY	
450	1	1079584029	NIPPLE M26 - G3/4"	
460	1	0653116500	FLAT GASKET	
470	1	1607856898	VALVE	
480	1	0653112400	GASKET 21 X 26 X 1.5	
490	1	1079584015	NIPPLE M26-G1/2	
500	1	1626987801	HOSE ASSEMBLY	
510	1	1626987701	PIPE	
520	2	1619276600	SCREW-SELF TAP:M 8X 20 HEX HD,	
530	2	0303127401	FLAT WASHER 8.4X26X5 ZN	
540	1	1079584029	NIPPLE M26 - G3/4"	

Id	Qty	Number	Name	Specifications
550	1	0653116500	FLAT GASKET	
560	1	1607856898	VALVE	
570	2	0653112400	GASKET 21 X 26 X 1.5	
580	1	0627510023	HOLLOW SCREW	
590	1	1626987601	HOSE ASSEMBLY	
600	1	1079584029	NIPPLE M26 - G3/4"	
610	1	0653116500	FLAT GASKET	
620	1	1607856898	VALVE	
630	1	0346100210	CLAMP	
640	1	1619276600	SCREW-SELF TAP:M 8X 20 HEX HD,	
650	1	1088080310	GROMMET	
660	2	1079991488	INFORMATION LABEL	
670	1	1607852279	DECAL INSTRUCT.	
680	2	1079992208	LABEL	
690	1	0686371635	HEXAGON PLUG	

Go to Discount-Equipment.com to order your parts

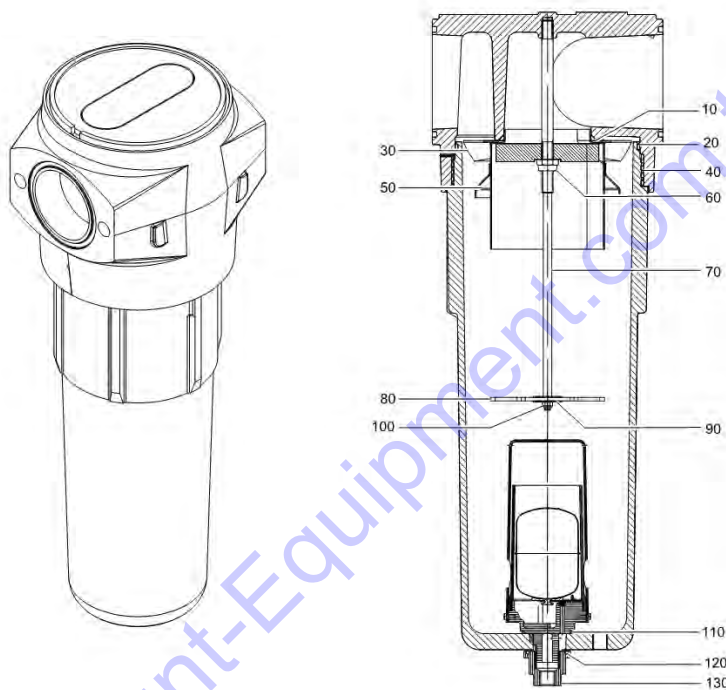


Id	Qty	Number	Name	Specifications
10	1	1626986782	PANEL	
20	8	1615566400	BOLT-SCRAPER:M8X25, 8.8 FZB	
22	1	0634100150	PIPE COUPLING	
24	1	0634100059	CLAMP VICTAULIC 2" TYPE A2	
30	1	0634100059	CLAMP VICTAULIC 2" TYPE A2	
70	4	0663714100	O-RING	
80	4	0147140303	HEX. HEAD SCREW M12 X 40	
90	1	0301235800	WASHER-FLAT:M13.0/24.0X2.0T,	
100	1	0634100059	CLAMP VICTAULIC 2" TYPE A2	
107	1	0634100059	CLAMP VICTAULIC 2" TYPE A2	
120	1	1638073401	AFTERCOOLER SUPPORT PLATE	
130	4	0147135903	HEX. HEAD SCREW	
140	4	0301234400	WASHER-FLAT:M10.5/22.0X2.0T	
150	3	0147136203	HEX. HEAD SCREW M10 X 25	
160	3	0301234400	WASHER-FLAT:M10.5/22.0X2.0T	
170	1	1604335503	AFTERCOOLER	
175	1	0661104900	SEAL WASHER	
180	1	1626555281	VALVE ASSEMBLY	
190	1	1638025804	SUPPORT	
195	1	1638070300	WASHER PLAIN	
200	4	0147135903	HEX. HEAD SCREW	
210	4	0301234400	WASHER-FLAT:M10.5/22.0X2.0T	
220	1	1619276600	SCREW-SELF TAP:M 8X 20 HEX HD,	
230	1	0663714100	O-RING	
250	4	0147140303	HEX. HEAD SCREW M12 X 40	
260	4	0301235800	WASHER-FLAT:M13.0/24.0X2.0T,	
280	1	1613946382	SEPARATOR WATER	
281	1	1816074000	OVAL ADAPTER FLANGE	
282	1	1816074100	ROUND ADAPTER FLANGE	
283	1	1638280600	SUPPORT	
300	4	0301235800	WASHER-FLAT:M13.0/24.0X2.0T,	
310	4	0266211200	NUT M12	
331	1	1816024901	PIPE	
332	1	1816024802	PIPE	
333	1	1816024701	PIPE	
334	1	1816024601	PIPE	
335	1	1816024501	PIPE	
336	1	1816024401	FITTING PIPE	
337	1	1816024301	PIPE	
347	2	0663210746	O-RING	
348	1	1816074700	O-RING	
349	1	1816077200	O-RING	
350	2	1816035700	O-RING	
351	2	1638888400	NIPPLE	
352	1	1638692000	HOSE ASSEMBLY	
353	2	1626572500	FLEXIBLE	
380	2	0147136203	HEX. HEAD SCREW M10 X 25	
390	2	0301234400	WASHER-FLAT:M10.5/22.0X2.0T	

Id	Qty	Number	Name	Specifications
420	4	1615566400	BOLT-SCRAPER:M8X25, 8.8 FZB	
460	1	1638079503	SUPPORT	
470	2	0147135903	HEX. HEAD SCREW	
490	2	0147136203	HEX. HEAD SCREW M10 X 25	
500	2	0301234400	WASHER-FLAT:M10.5/22.0X2.0T	
510	2	0266211100	HEXAGON NUT M10	
520	1	0634100059	CLAMP VICTAULIC 2" TYPE A2	
530	1	0653112400	GASKET 21 X 26 X 1.5	
540	1	0603420038	HEXAGON NIPPLE	
550	1	0653112400	GASKET 21 X 26 X 1.5	
560	1	0803501008	STRAINER	
570	1	0653112400	GASKET 21 X 26 X 1.5	
580	1	1604669700	RESTRICTOR	
620	1	0653110000	GASKET 17 X 21 X 1.5	
640	1	0653106200	GASKET 13 X 20 X 1.5	
680	1	0606000033	T-ADAPTER	
685	1	1604524600	COUPLING	
740	1	0603420011	HEXAGON NIPPLE	
750	1	1626572400	FLEXIBLE	
760	1	0606000033	T-ADAPTER	
770	1	1638055900	BUSHING	
790	2	0661103300	SEAL WASHER	
800	1	1619615304	BALL VALVE G 1/2 F - G 1/2 F	
810	1	0560020023	ELBOW	
820	1	0571010006	CLAW COUPLING	
830	1	1638080701	PLATE COVER	
840	0.58	1604431800	SEAL	
850	3	1619589801	BOLT-SCRAPER:M6X20, 8.8 FZB W/	
880	1	1638080801	PLATE COVER	
890	0.55	1604431800	SEAL	
895	1	1079993163	ADHESIVE (DIESEL)_LABEL	
896	1	1638788100	DECAL	
900	2	1619589801	BOLT-SCRAPER:M6X20, 8.8 FZB W/	
910	1	1816018901	SUPPORT	
920	1	1816018801	SUPPORT	
930	1	0634100150	PIPE COUPLING	
940	1	0634100150	PIPE COUPLING	
950	1	0634100150	PIPE COUPLING	
960	1	0634100150	PIPE COUPLING	
970	1	0634100150	PIPE COUPLING	
980	1	0634100150	PIPE COUPLING	
990	1	0634100150	PIPE COUPLING	
991	1	1626027200	VALVE	
992	2	0211110610	HEXAGON SOCKET SCREW	
993	2	0302127404	PLAIN WASHER	
994	4	0261109117	NUT HEXAGON	
995	2	0211110609	HEXAGON SOCKET SCREW	
996	4	0211110546	HEXAGON SOCKET SCREW	

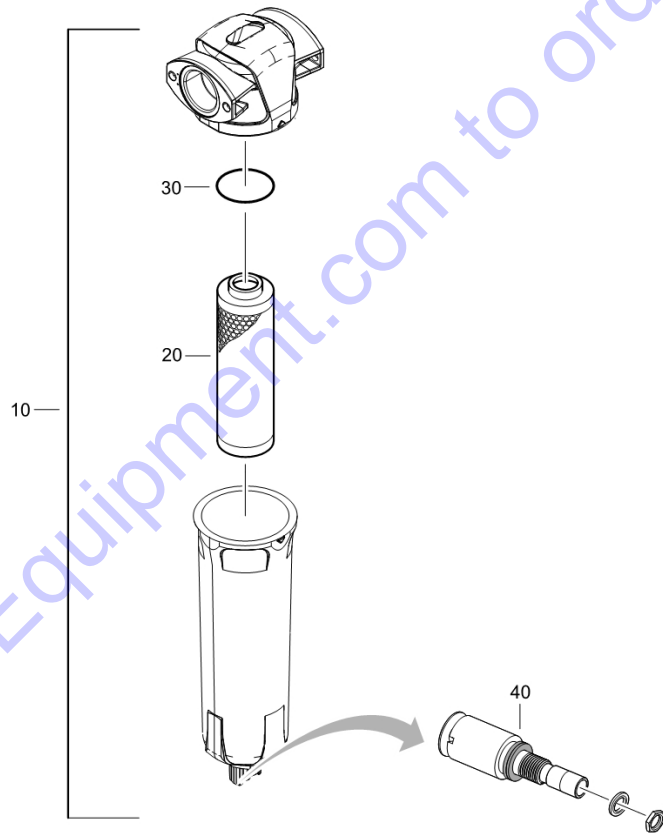
Id	Qty	Number	Name	Specifications
997	4	0147140303	HEX. HEAD SCREW M12 X 40	
998	2	0211147903	SCREW	

Go to Discount-Equipment.com to order your parts



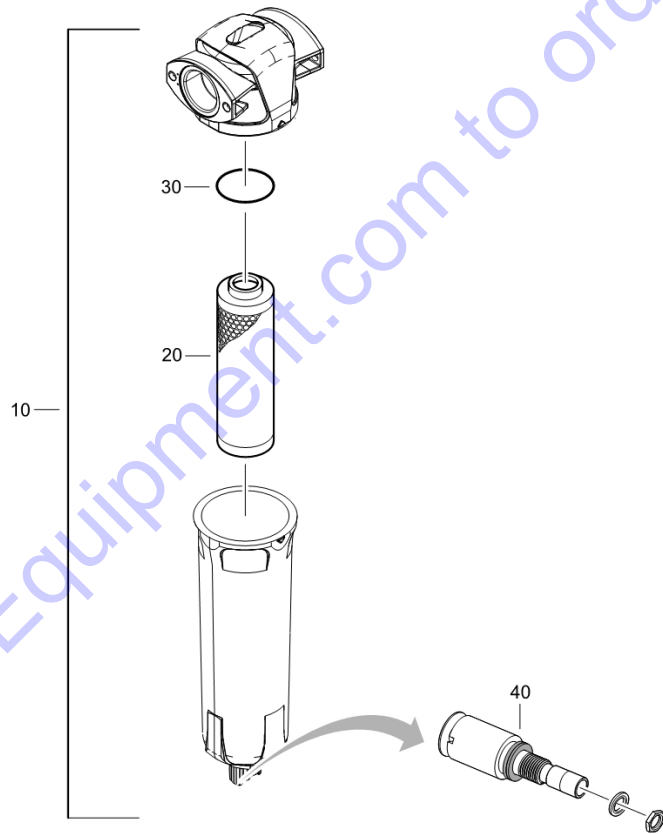
Id	Qty	Number	Name	Specifications
10	1	0663210956	O-RING	
20	1	0663210801	O-RING	
30	1	1613947600	RING IMPELLER WSD750 TYPE2	
40	1	1613980400	ROD	
50	1	1613947780	ASSY CLAMP IMPELLER	
60	1	0291111100	LOCKNUT:M 10 ZN PLT,\$STL W/NYL	
70	1	1613984300	STUD	
80	1	1613984400	DISC	
90	2	0300027537	WAHSER	
100	1	0291110700	NUT	
110	1	0663213300	O-ring	
120	1	0663211127	O-RING	
130	1	1613938100	NUT	

Go to Discount-Equipment.com to order your parts



Id	Qty	Number	Name	Specifications
10	1	2913000265	PD FILTER	
20	1	2258293716	FL KIT PD	
30	1	2913000266	O-RING KIT	
40	1	2913000267	AUTOMATIC DRAIN	

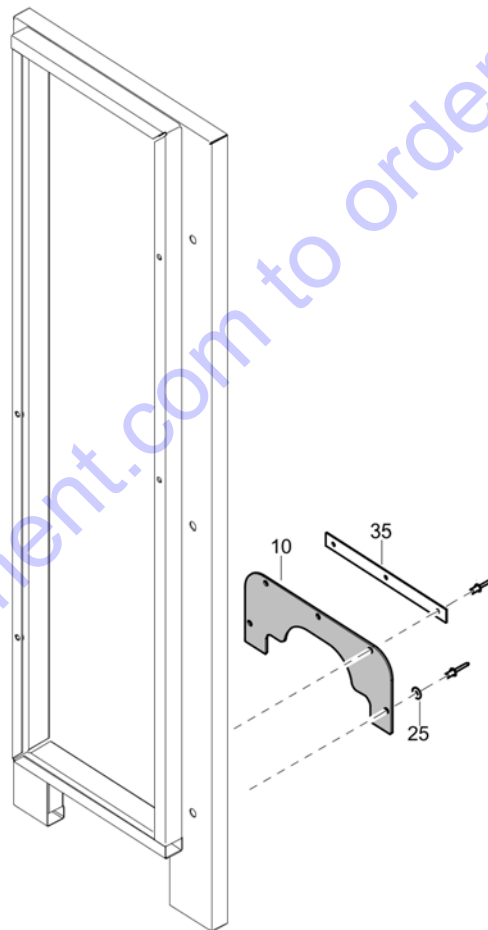
Go to Discount-Equipment.com to order your parts



Go to Discount-Equipment.com to order your parts

Id	Qty	Number	Name	Specifications
10	1	2913000264	DD FILTER	
20	1	2258293616	FL KIT DD	
30	1	2913000266	O-RING KIT	
40	1	2913000267	AUTOMATIC DRAIN	

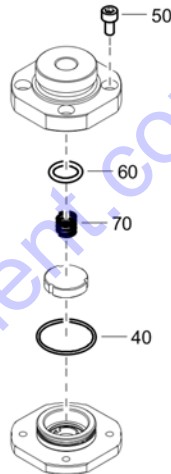
Go to Discount-Equipment.com to order your parts



Go to Discount-Equipment.com to order your parts

Id	Qty	Number	Name	Specifications
10	1	1626994400	Gasket	
25	2	0300027470	PLAIN WASHER	
35	1	1638114900	Plate back	

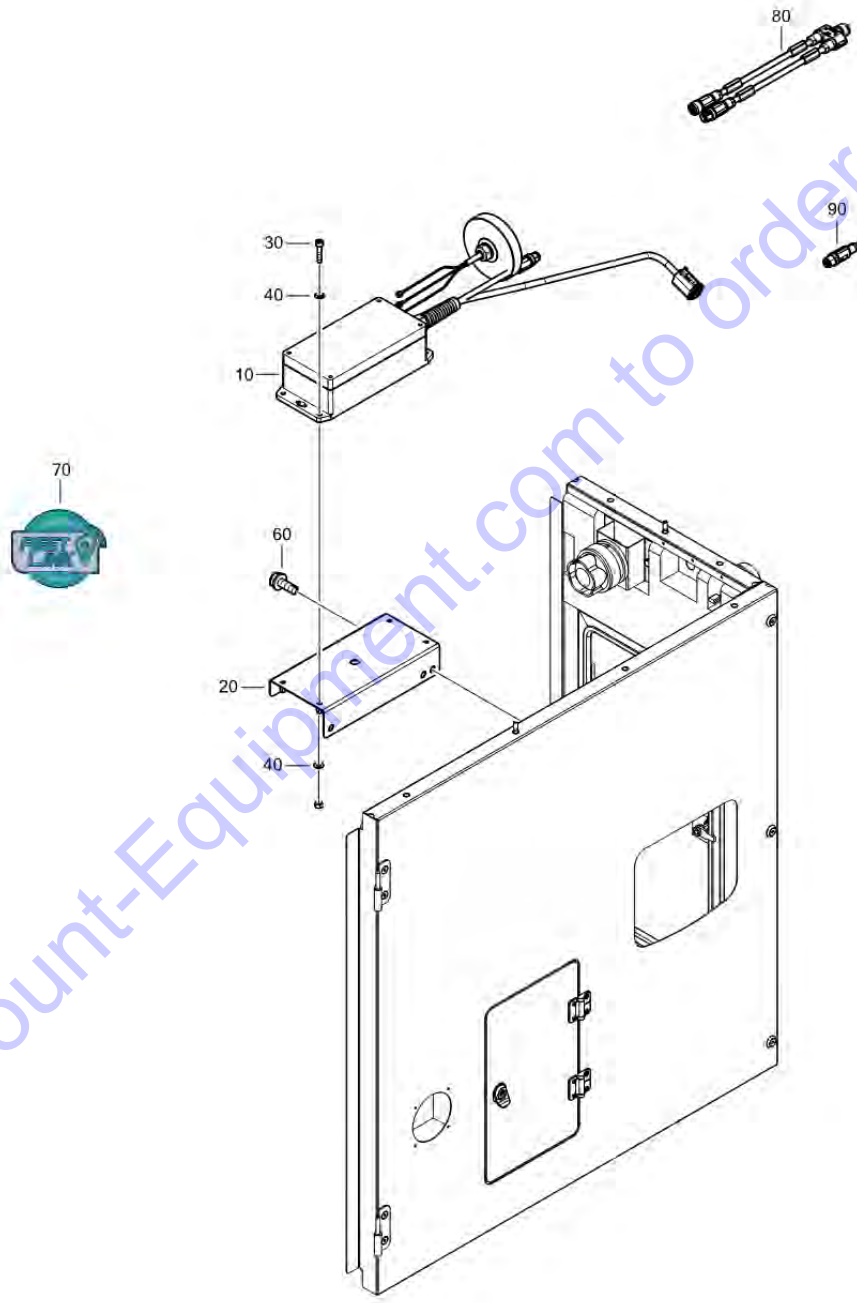
Go to Discount-Equipment.com to order your parts



Go to Discount-Equipment.com to order your parts

Id	Qty	Number	Name	Specifications
40	1	0663211317	O-RING	
50	4	0211120403	Screw	
60	1	0663312000	O-RING 13.3X2.4	
70	1	0384500029	Spring compression	

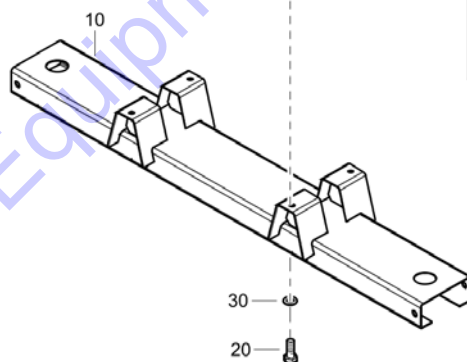
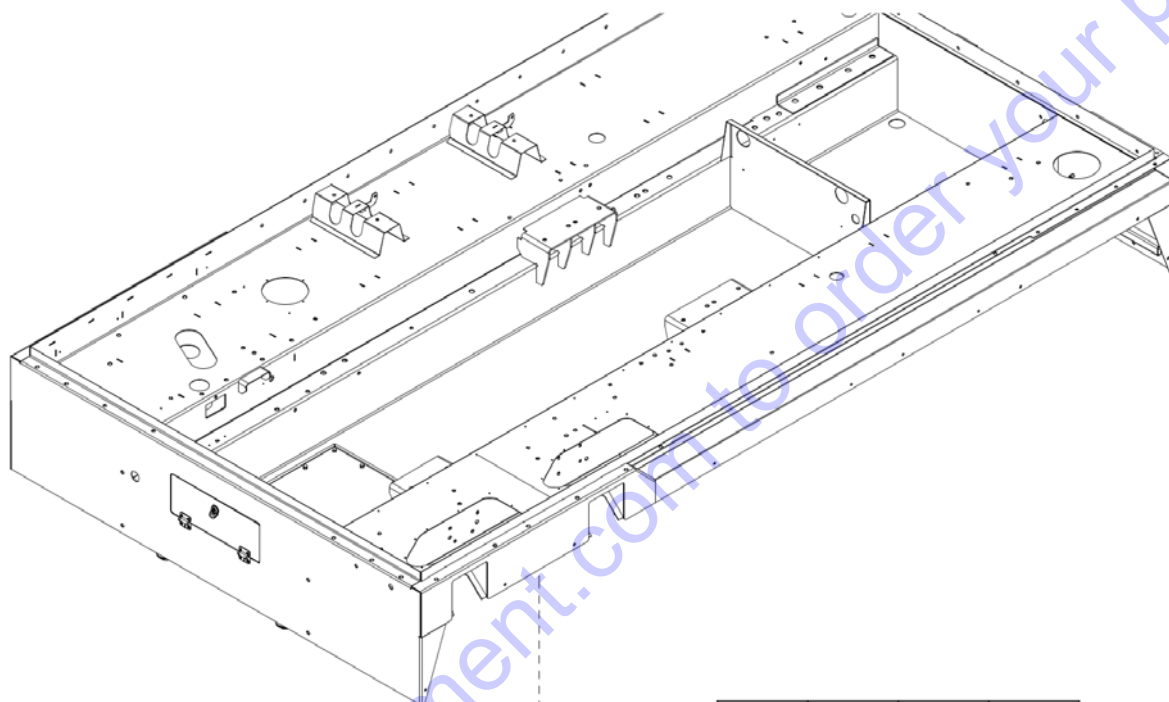
Go to Discount-Equipment.com to order your parts



Go to Discount-Equipment.com to order your parts

Id	Qty	Number	Name	Specifications
10	1	1638971300	MODULE	
20	1	1638744400	SUPPORT	
30	4	0211117403	CAP SCREW	
40	4	0301231500	WASHER:M 4.3X9X0.80T \$STL ZINC	
60	2	1619276600	SCREW-SELF TAP:M 8X 20 HEX HD,	
70	2	1638370920	LABEL FLEETLINK BLUE	
80	1	1638380428	CABLE COMM	
90	2	1638380427	END RESISTOR 120 OHM	

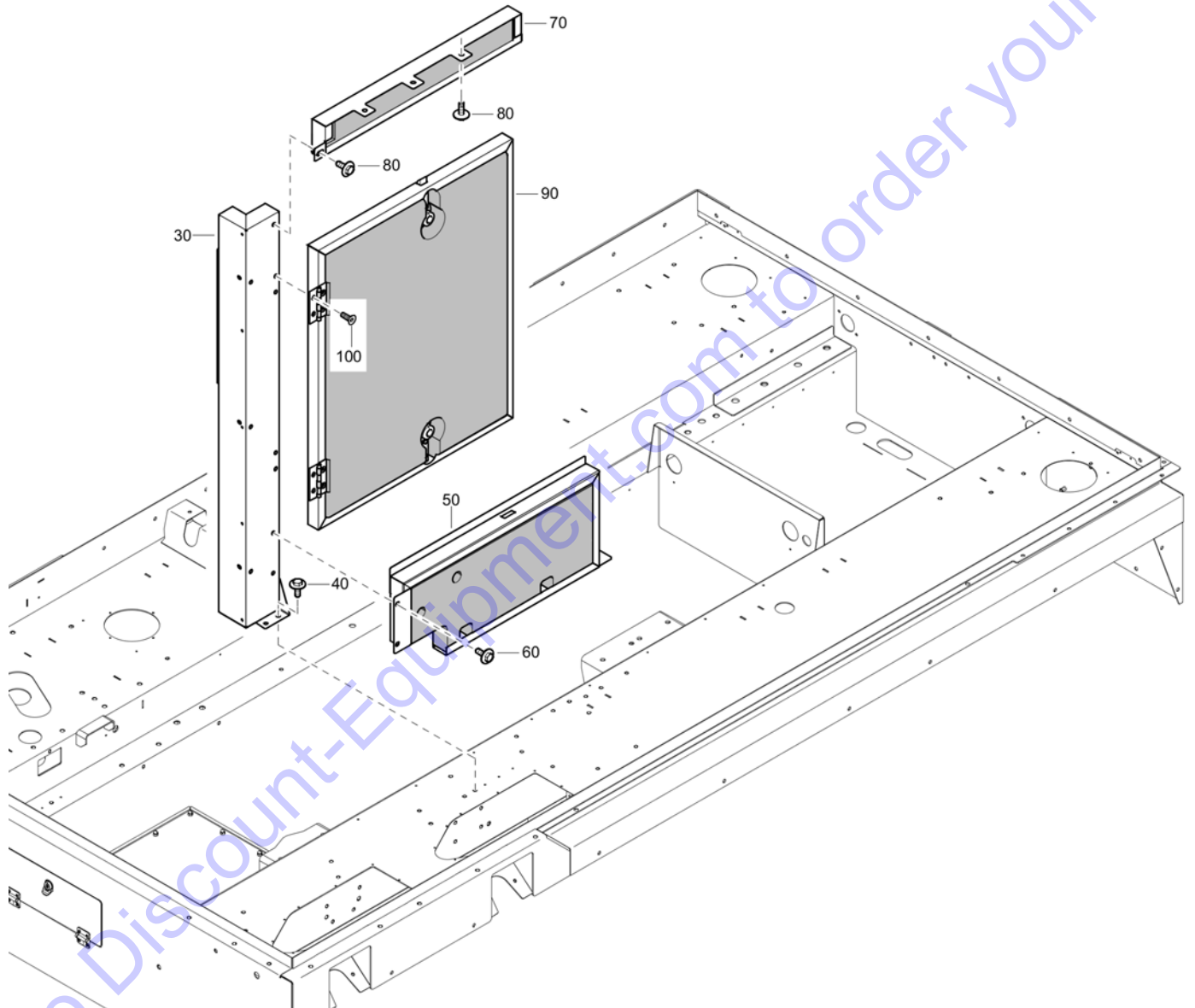
Go to Discount-Equipment.com to order your parts



40

Id	Qty	Number	Name	Specifications
10	2	1638148801	SUPPORT	
20	4	0147147703	HEX.BOLT M16X40-8.8	
30	4	0333520008	WASHER	
40	1	1079990360	INFORMATION LABEL	

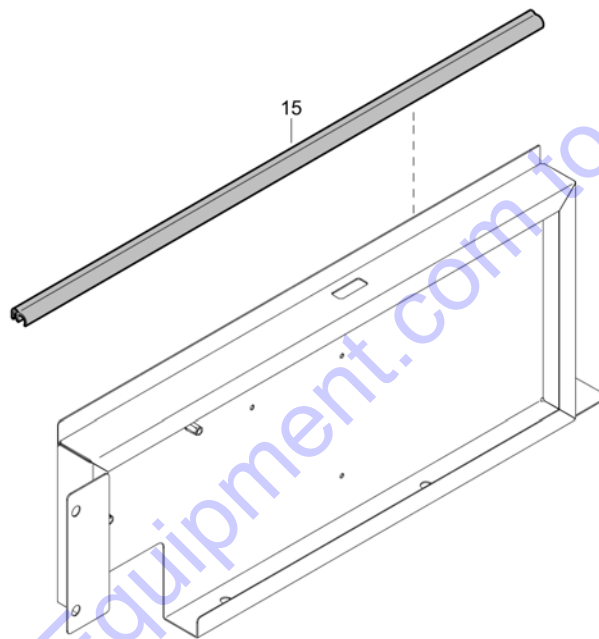
Go to Discount-Equipment.com to order your parts



Go to Discount-Equipment.com to order your parts

Id	Qty	Number	Name	Specifications
30	1	1626985982	PANEL	
40	3	1604342300	SCRAPER BOLT	
50	1	1626982683	PANEL	Version: 1
60	5	1604342300	SCRAPER BOLT	
70	1	1638107382	PANEL	
80	4	1604342300	SCRAPER BOLT	
90	1	1626982581	DOOR	
100	4	0216132403	SCREW:M8X22,SOC HD,CS,\$STL	

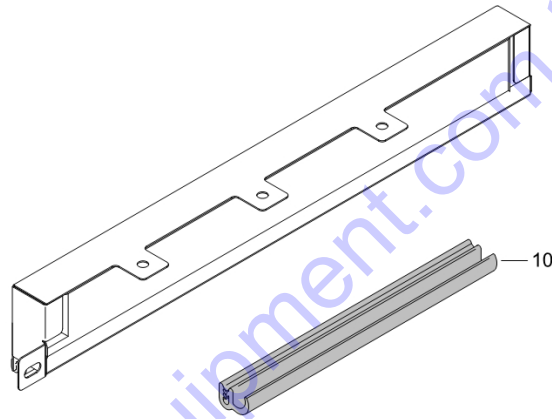
Go to Discount-Equipment.com to order your parts



Go to Discount-Equipment.com to order your parts

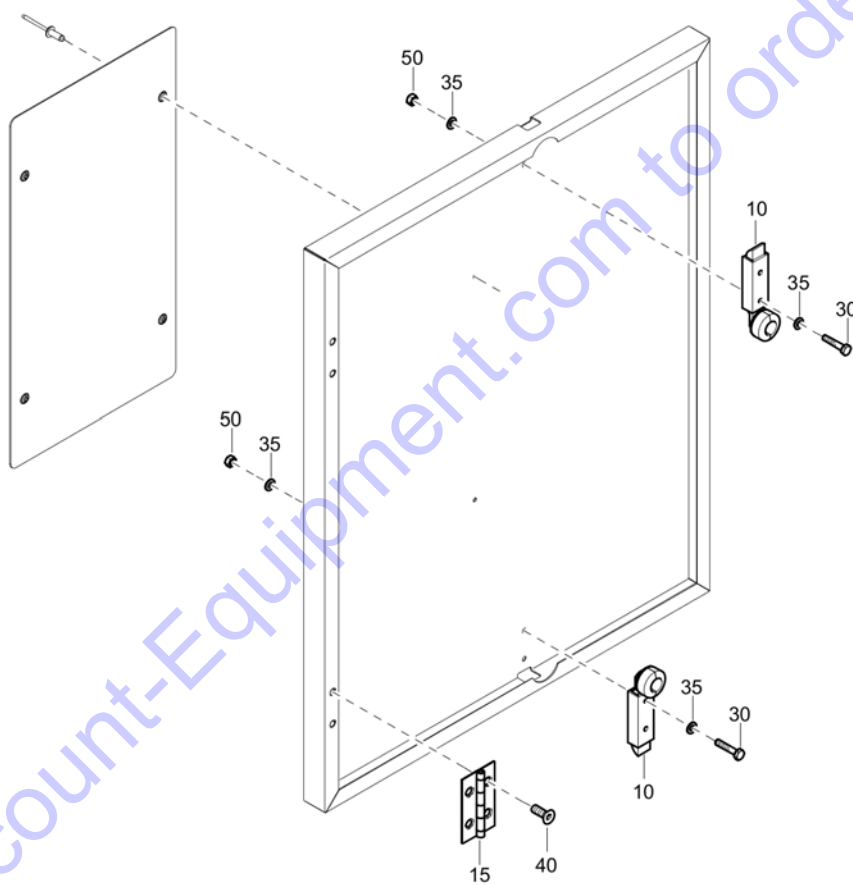
Id	Qty	Number	Name	Specifications
15	1	1619266500	SEAL LIP	

Go to Discount-Equipment.com to order your parts



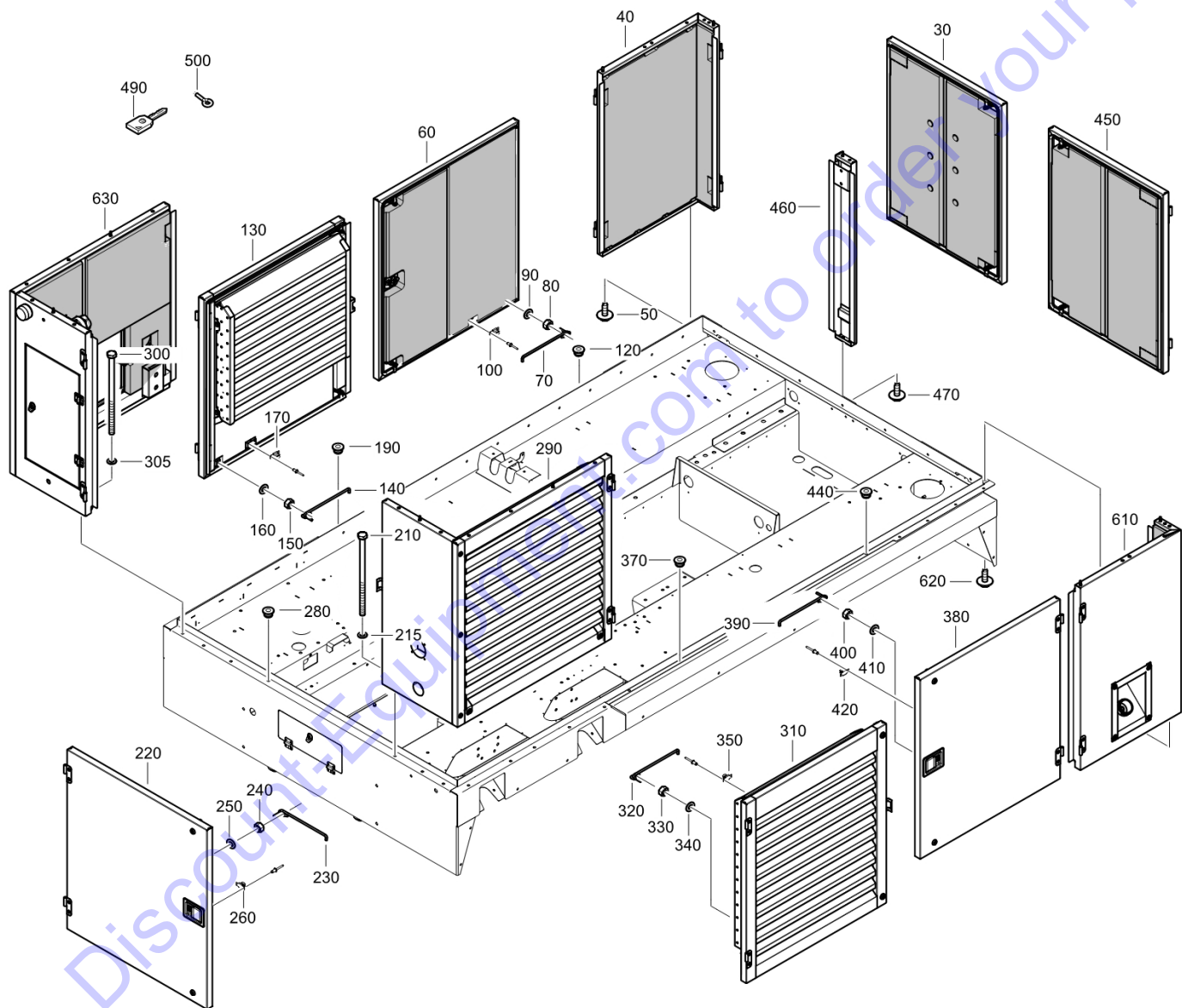
Id	Qty	Number	Name	Specifications
10	1	1619266500	SEAL LIP	

Go to Discount-Equipment.com to order your parts

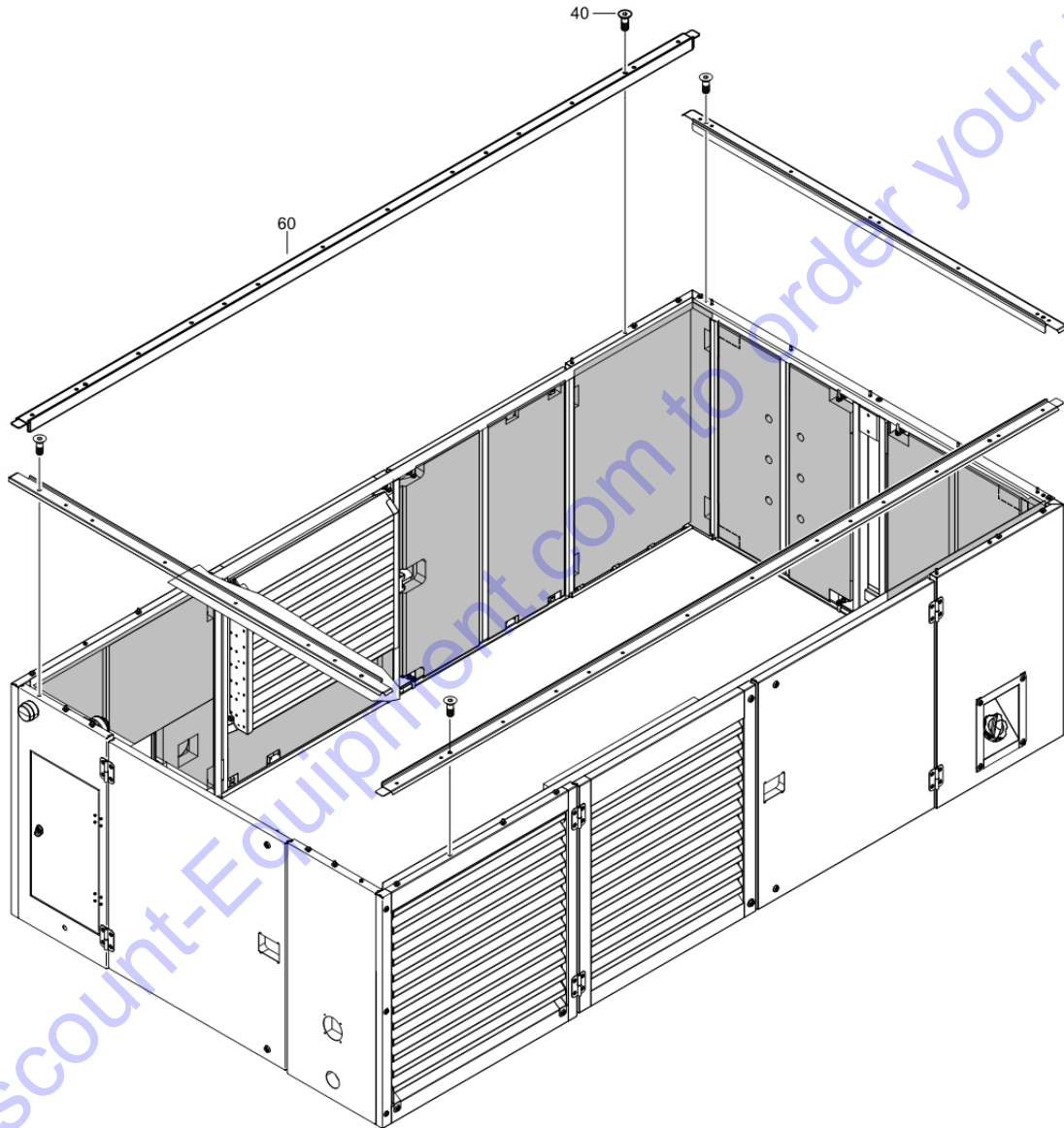


Id	Qty	Number	Name	Specifications
10	2	1604022600	LOCK	
15	2	1615771200	Hinge	
30	4	0147125003	HEX. BOLT M6X30X8.8	
35	8	0301232100	WASHER M6	
40	4	0216132403	SCREW:M8X22,SOC HD,CS,\$STL	
50	4	0266210800	NUT M6	

Go to Discount-Equipment.com to order your parts

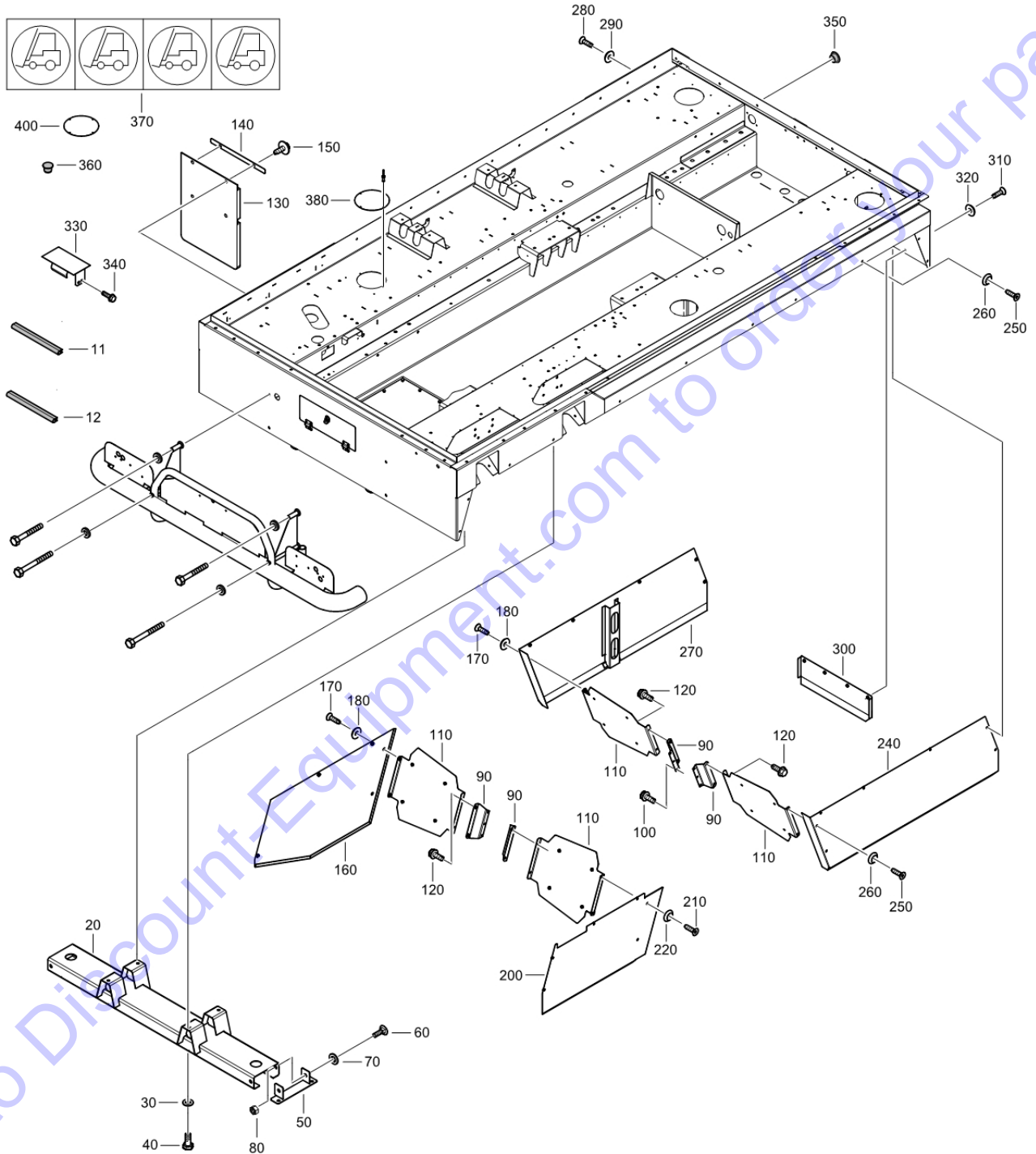


Id	Qty	Number	Name	Specifications
30	1	1626902382	DOOR FRONT	
40	1	1626892783	ASSY	
50	6	1615566400	BOLT-SCRAPER:M8X25, 8.8 FZB	
60	1	1626953984	DOOR LEFT	
70	1	1638022702	RETAINER	
80	1	0266211000	NUT:M 8.0DX 6.8H HEX,ZN PLT,\$S	
90	1	0301233500	WASHER-FLAT:M 8.40/16.0X1.5T	
100	1	1638025400	CLIP	
120	1	1638025500	GROMMET	
130	1	1626964583	DOOR LEFT	
140	1	1638022702	RETAINER	
150	1	0266211000	NUT:M 8.0DX 6.8H HEX,ZN PLT,\$S	
160	1	0301233500	WASHER-FLAT:M 8.40/16.0X1.5T	
170	1	1638025400	CLIP	
190	1	1638025500	GROMMET	
210	7	0147134603	HEX. HEAD SCREW	
215	7	0301233500	WASHER-FLAT:M 8.40/16.0X1.5T	
220	1	1626954084	DOOR REAR	
230	1	1638022702	RETAINER	
240	1	0266211000	NUT:M 8.0DX 6.8H HEX,ZN PLT,\$S	
250	1	0301233500	WASHER-FLAT:M 8.40/16.0X1.5T	
260	1	1638025400	CLIP	
280	1	1638025500	GROMMET	
290	1	1638077583	CORNER REAR RIGHT	
300	8	0147134603	HEX. HEAD SCREW	
305	8	0301233500	WASHER-FLAT:M 8.40/16.0X1.5T	
310	1	1626901583	DOOR	
320	1	1638022702	RETAINER	
330	1	0266211000	NUT:M 8.0DX 6.8H HEX,ZN PLT,\$S	
340	1	0301233500	WASHER-FLAT:M 8.40/16.0X1.5T	
350	1	1638025400	CLIP	
370	1	1638025500	GROMMET	
380	1	1626953994	DOOR RIGHT	
390	1	1638022702	RETAINER	
400	1	0266211000	NUT:M 8.0DX 6.8H HEX,ZN PLT,\$S	
410	1	0301233500	WASHER-FLAT:M 8.40/16.0X1.5T	
420	1	1638025400	CLIP	
440	1	1638025500	GROMMET	
450	1	1626902282	DOOR FRONT	
460	1	1626902182	BEAM ASSY.	
470	2	1615566400	BOLT-SCRAPER:M8X25, 8.8 FZB	
490	2	1615727100	DOOR KEYS	
500	2	1604250000	KEY	
610	1	1638134682	CORNER RIGHT FRONT	
620	6	1615566400	BOLT-SCRAPER:M8X25, 8.8 FZB	
630	1	1816012082	CORNER	

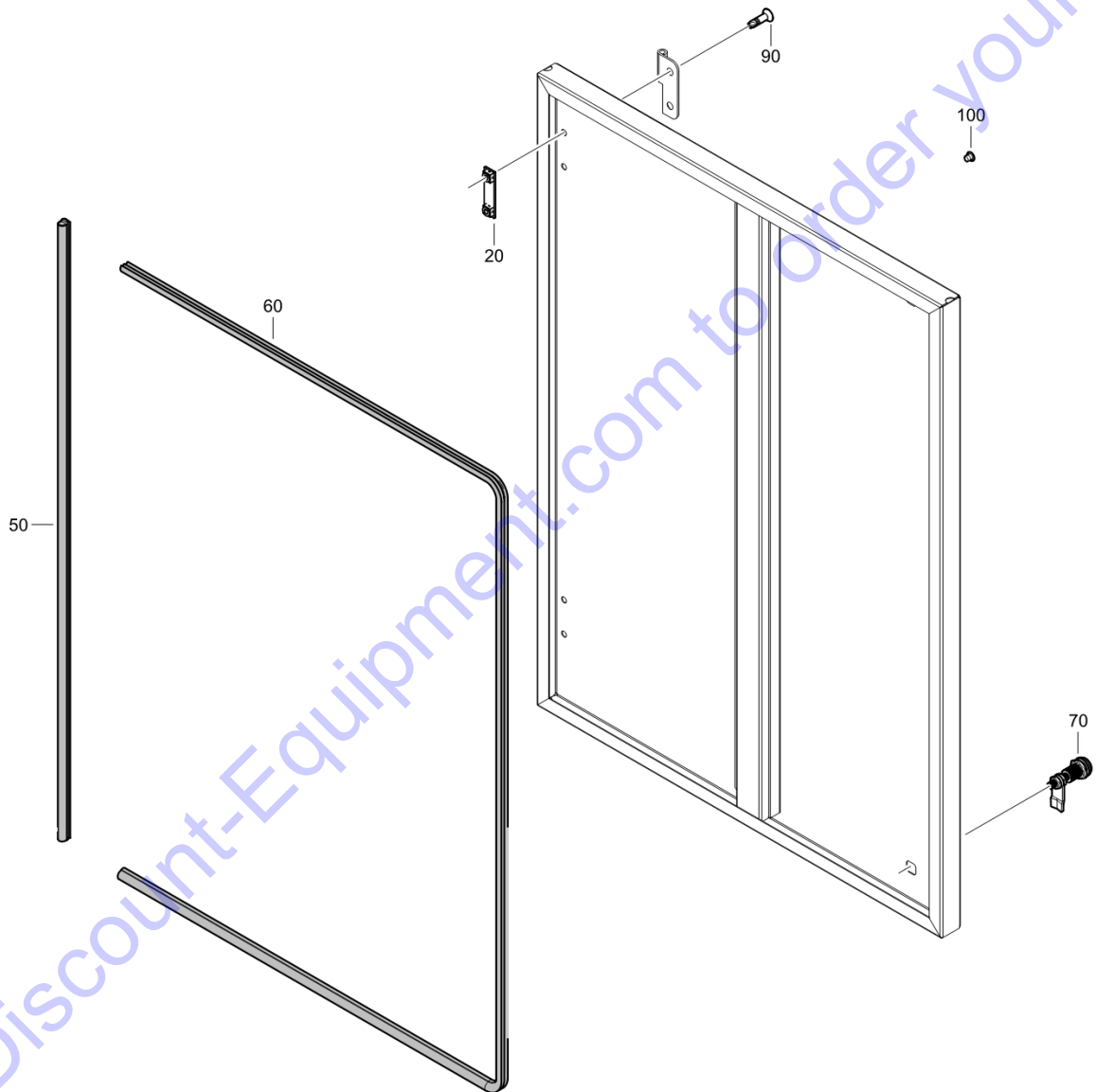


Id	Qty	Number	Name	Specifications
40	8	0216132403	SCREW:M8X22,SOC HD,CS,\$STL	
60	1	1626955000	BEAM	

Go to Discount-Equipment.com to order your parts



Id	Qty	Number	Name	Specifications
11	0.6	1503105600	SEAL	
12	0.05	1503105600	SEAL	
20	2	1638148801	SUPPORT	
30	8	0333520008	WASHER	
40	8	0147147703	HEX.BOLT M16X40-8.8	
50	4	1638264700	SUPPORT	
60	8	5730010752	SQ.NECK BOLT	
70	8	0333520009	LOCK WASHER	
80	8	0266211200	NUT M12	
90	4	1638126600	SUPPORT	
100	8	1619276600	SCREW-SELF TAP:M 8X 20 HEX HD,	
110	4	1816083100	PLATE COVER CP	
120	8	1619276600	SCREW-SELF TAP:M 8X 20 HEX HD,	
130	2	1626475200	MUDFLAP	
140	4	1626474801	BRACKET	
150	8	1615566400	BOLT-SCRAPER:M8X25, 8.8 FZB	
160	1	1638154101	PROTECTION	
170	6	1607852268	BOLT SCRAPER	
180	6	1607852267	WASHER	
200	1	1638154002	PROTECTION SKIRT	
210	6	1607852268	BOLT SCRAPER	
220	6	1607852267	WASHER	
240	1	1638153801	PROTECTION	
250	7	1607852268	BOLT SCRAPER	
260	7	1607852267	WASHER	
270	1	1638153901	PROTECTION SKIRT	
280	7	1607852268	BOLT SCRAPER	
290	7	1607852267	WASHER	
300	2	1816083300	PROTECTION CP	
310	4	1607852268	BOLT SCRAPER	
320	4	1607852267	WASHER	
330	2	1816082700	PLATE COVER CP	
340	2	1619533701	HEX. HEAD SCREW	
350	2	0686925341	PLUG	
360	4	0686925313	PLUG	
370	1	1079990360	INFORMATION LABEL	
380	1	1816083500	PLATE COVER CP	
400	1	1816083500	PLATE COVER CP	



Id	Qty	Number	Name	Specifications
50	1	1619685800	SEAL	
20	1	1615568400	BRACKET	
60	1	1619266500	SEAL LIP	
70	2	1604251901	LOCK	
90	4	1607852268	BOLT SCRAPER	
100	6	0686925339	PLUG	

Go to Discount-Equipment.com to order your parts

PARTS FINDER

**Search Website
by Part Number**



**Search Manual
Library For Parts
Manual & Lookup Part
Numbers – Purchase
or Request Quote**

Search Manuals

Enter your information to help us find the right parts manual for your machine.

* Brand:

* Model:

* Serial:

* Part Number:

SEARCH

**Can't Find Part or
Manual? Request Help
by Manufacturer,
Model & Description**

Parts Order Form

Please fill in the following information to help us find the right part for your machine.

Manufacturer:	<input type="text"/>
Model:	<input type="text"/>
Description:	<input type="text"/>
Part Number:	<input type="text"/>
Quantity:	<input type="text"/>
Notes:	<input type="text"/>

Submit

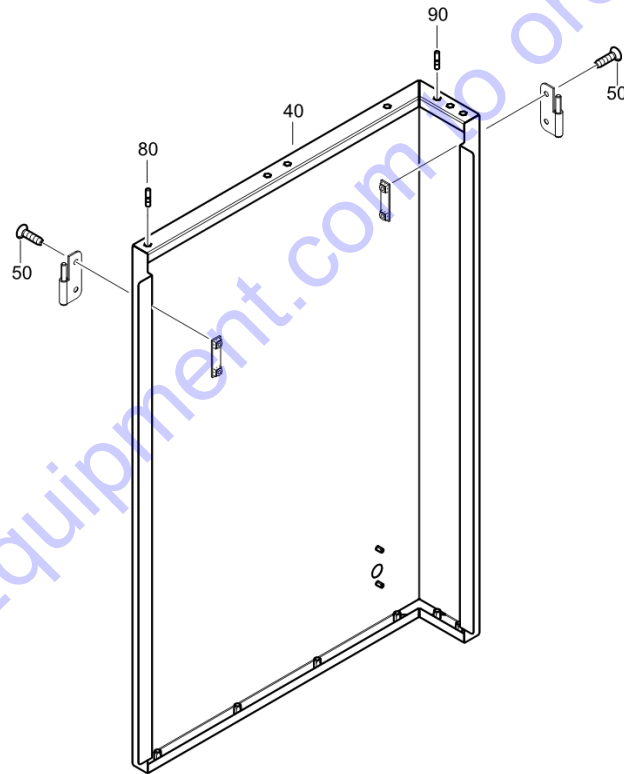
Discount-Equipment.com is your online resource for quality parts & equipment.

Florida: **561-964-4949** Outside Florida TOLL FREE: **877-690-3101**

Need parts?

Click on this link: <http://www.discount-equipment.com/category/5443-parts/> and choose one of the options to help get the right parts and equipment you are looking for. Please have the machine model and serial number available in order to help us get you the correct parts. If you don't find the part on the website or on one of the online manuals, please fill out the request form and one of our experienced staff members will get back to you with a quote for the right part that your machine needs.

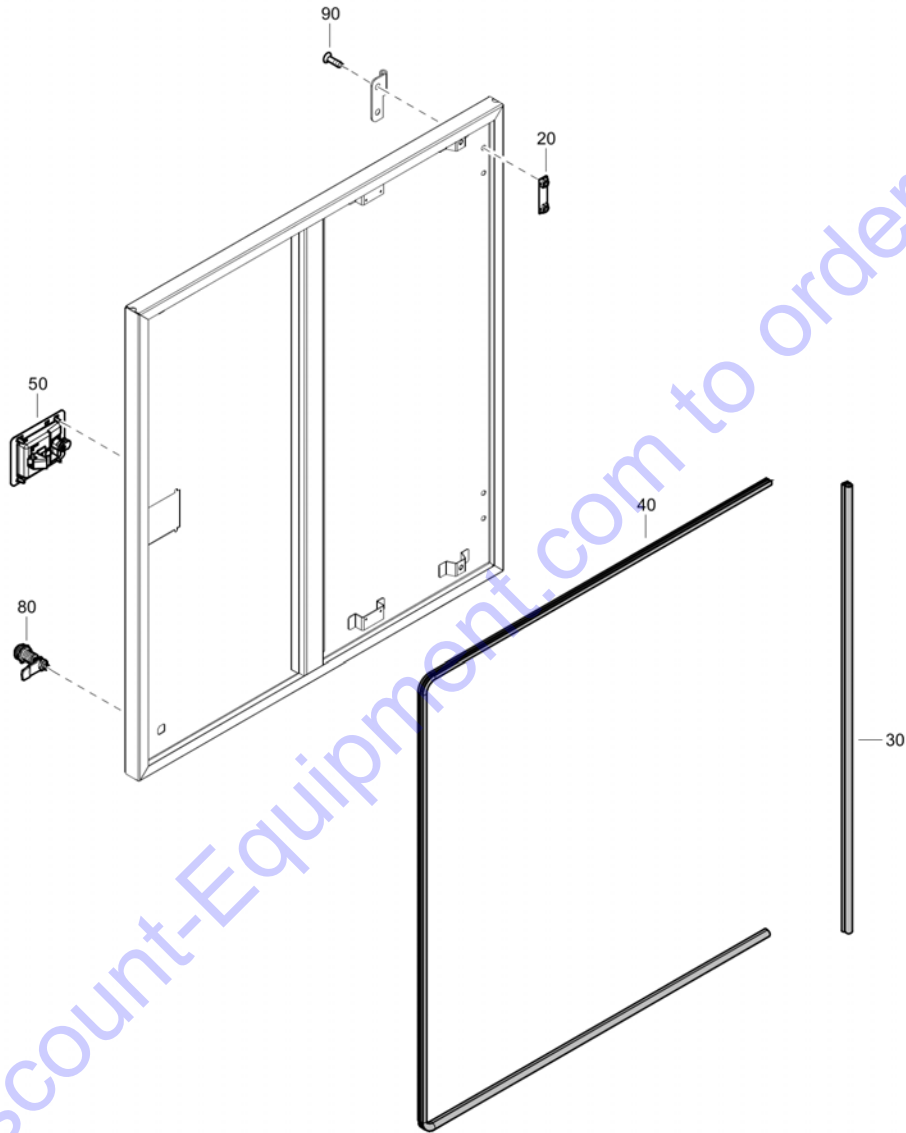
We sell worldwide for the brands: Genie, Terex, JLG, MultiQuip, Mikasa, Essick, Whiteman, Mayco, Toro Stone, Diamond Products, Generac Magnum, Airman, Haulotte, Barreto, Power Blanket, Nifty Lift, Atlas Copco, Chicago Pneumatic, Allmand, Miller Curber, Skyjack, Lull, Skytrak, Tsurumi, Husquvarna Target, Stow, Wacker, Sakai, Mi-T-M, Sullair, Basic, Dynapac, MBW, Weber, Bartell, Bennar Newman, Haulotte, Ditch Runner, Menegotti, Morrison, Contec, Buddy, Crown, Edco, Wyco, Bomag, Laymor, EZ Trench, Bil-Jax, F.S. Curtis, Gehl Pavers, Heli, Honda, ICS/PowerGrit, IHI, Partner, Imer, Clipper, MMD, Koshin, Rice, CH&E, General Equipment, Amida, Coleman, NAC, Gradall, Square Shooter, Kent, Stanley, Tamco, Toku, Hatz, Kohler, Robin, Wisconsin, Northrock, Oztec, Toker TK, Rol-Air, APT, Wylie, Ingersoll Rand / Doosan, Innovatech, Con X, Ammann, Mecalac, Makinex, Smith Surface Prep, Small Line, Wanco, Yanmar



Go to Discount-Equipment.com to order your parts

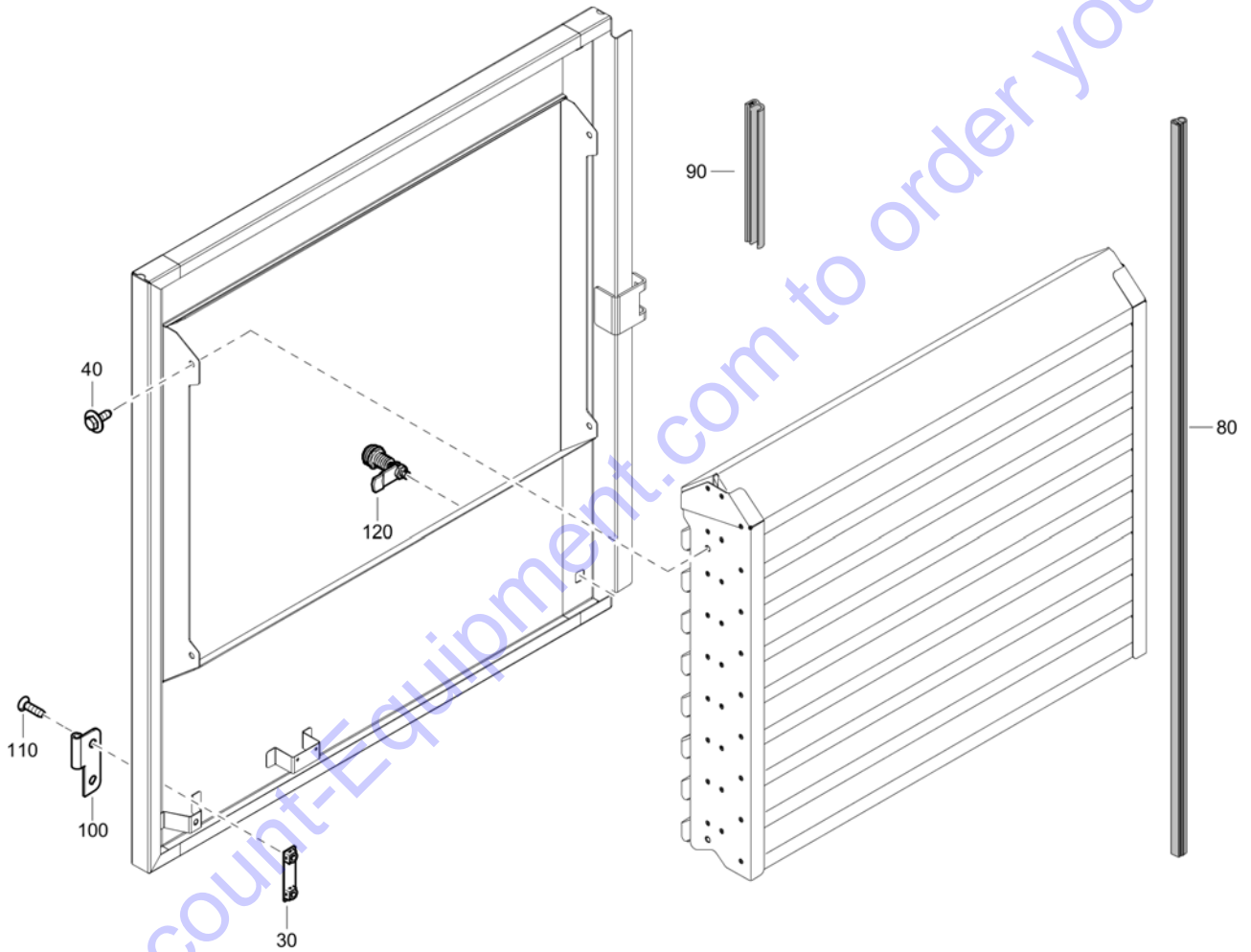
Id	Qty	Number	Name	Specifications
40	1	1626892704	PANEL	
50	8	1607852268	BOLT SCRAPER	
80	2	0246195635	STUD	
90	1	0246195635	STUD	

Go to Discount-Equipment.com to order your parts



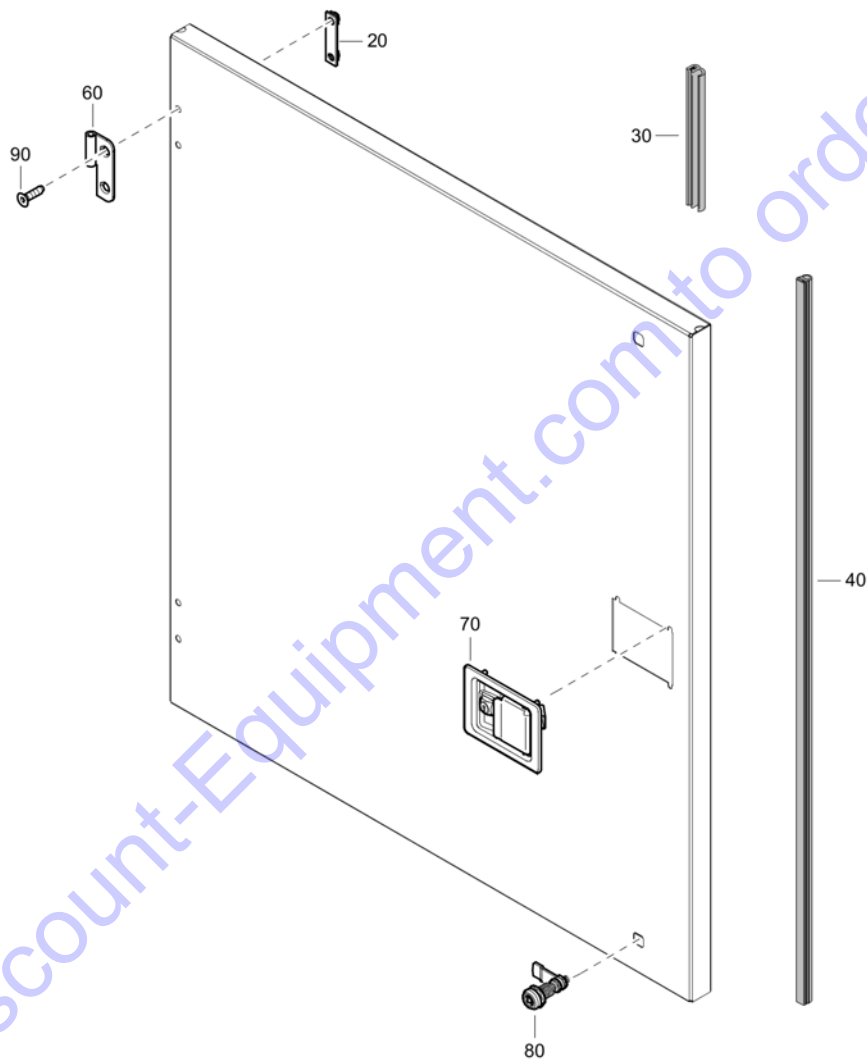
Id	Qty	Number	Name	Specifications
20	2	1615568400	BRACKET	
30	1	1619685800	SEAL	
40	1	1619266500	SEAL LIP	
50	1	1615696703	HANDLE	
80	2	1604251901	LOCK	
90	4	1607852268	BOLT SCRAPER	

Go to Discount-Equipment.com to order your parts



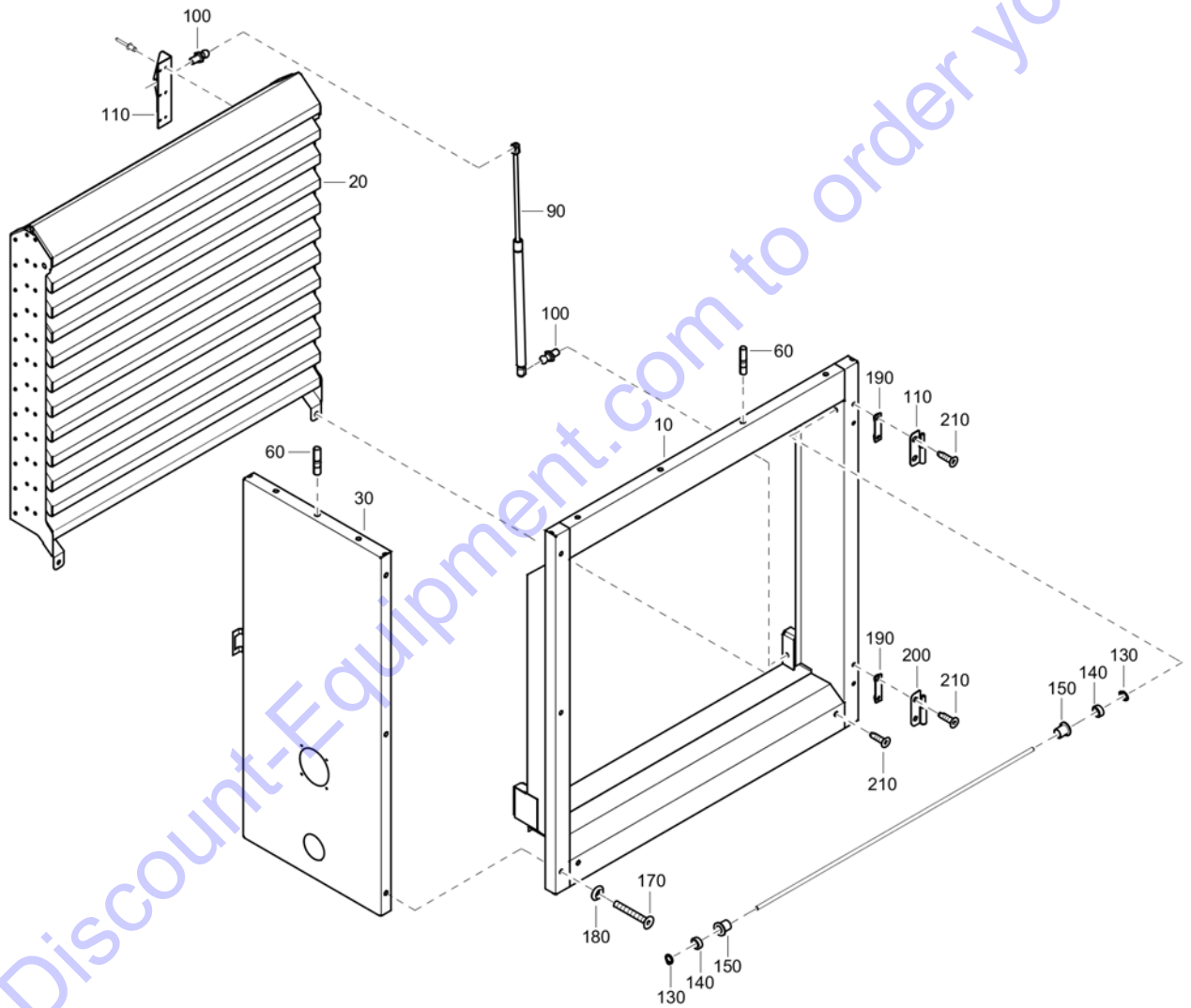
Id	Qty	Number	Name	Specifications
30	2	1615568400	BRACKET	
40	4	1615566400	BOLT-SCRAPER:M8X25, 8.8 FZB	
80	1	1619685800	SEAL	
90	2	1619266500	SEAL LIP	
100	2	1626358802	HINGE	
110	4	1607852268	BOLT SCRAPER	
120	2	1604251901	LOCK	

Go to Discount-Equipment.com to order your parts



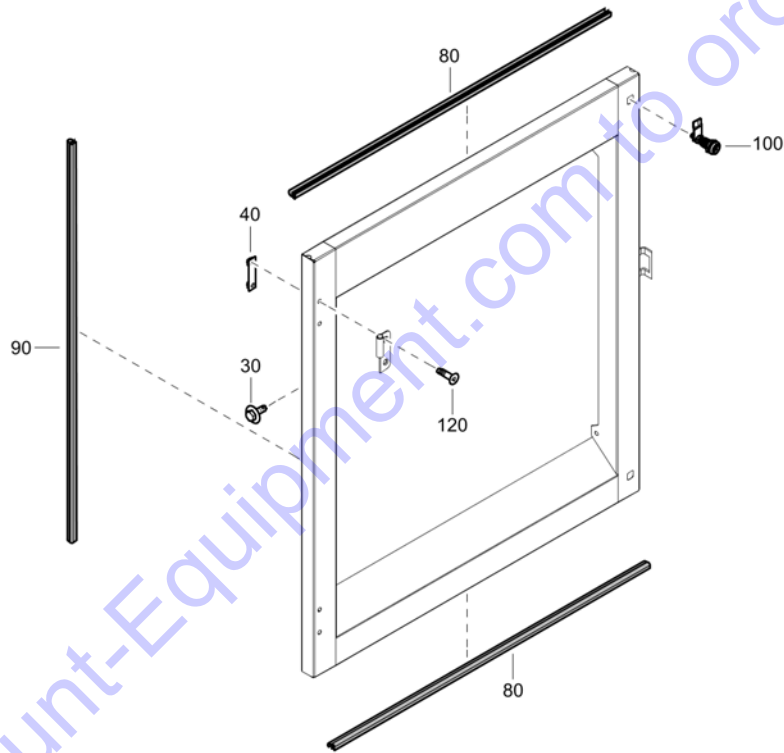
Id	Qty	Number	Name	Specifications
20	2	1615568400	BRACKET	
30	1	1619685800	SEAL	
40	1	1619266500	SEAL LIP	
60	2	1626358902	HINGE	
70	1	1615696703	HANDLE	
80	2	1604251901	LOCK	
90	4	1607852268	BOLT SCRAPER	

Go to Discount-Equipment.com to order your parts



Id	Qty	Number	Name	Specifications
10	1	1638077501	PLATE ANCHOR	
20	1	1638077480	BAFFLE	
30	1	1638080201	PANEL	
60	2	0246195635	STUD	
90	2	1638174000	SPRING GAS	
100	4	1626310801	BALL STUD	
110	2	1638078401	SUPPORT	
130	2	0335111200	CIRCLIP	
140	2	1638078500	Sleeve	
150	2	1638079700	BEARING ROLLER	
170	3	0216110076	SCREW HEXAGON SOCKET	
180	5	1607852267	WASHER	
190	2	1615568400	BRACKET	
200	2	1626358901	HINGE	
210	6	1607852268	BOLT SCRAPER	

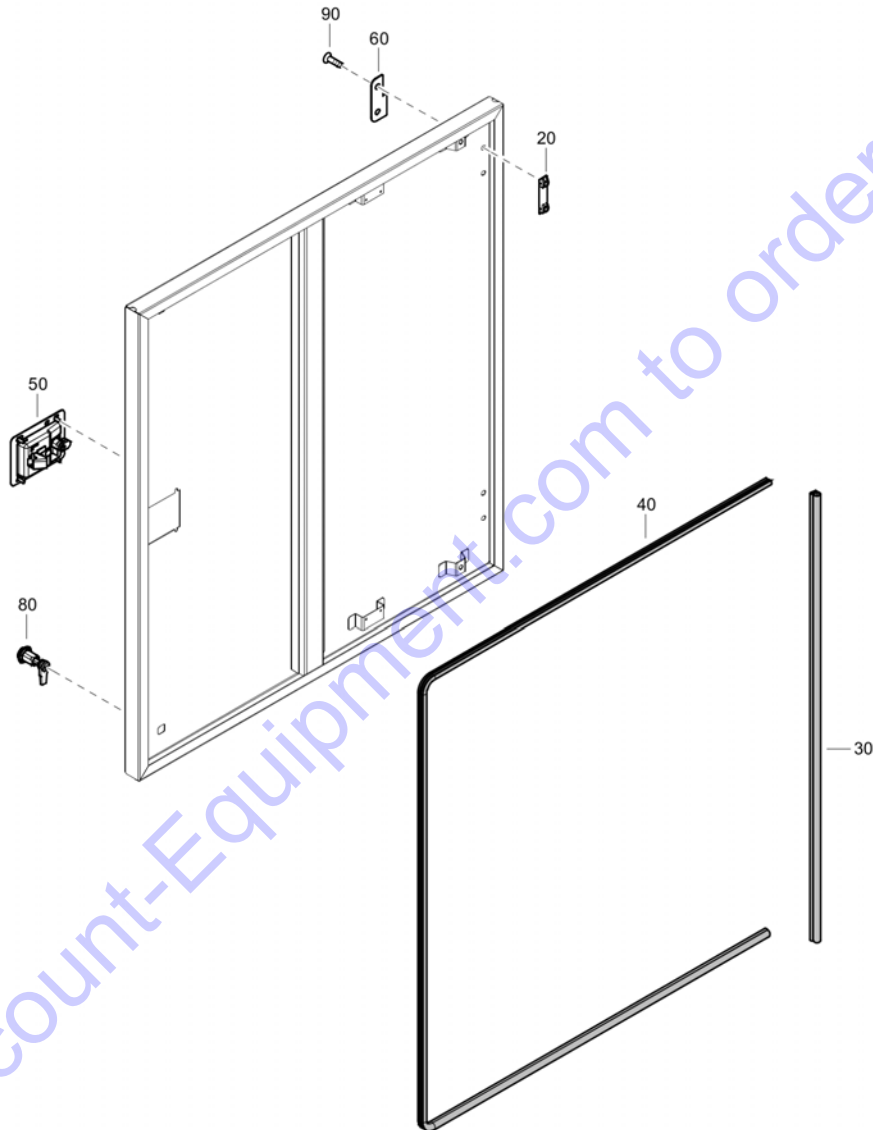
Go to Discount-Equipment.com to order your parts



Go to Discount-Equipment.com to order your parts

Id	Qty	Number	Name	Specifications
30	4	1615566400	BOLT-SCRAPER:M8X25, 8.8 FZB	
40	2	1615568400	BRACKET	
80	2	1619266500	SEAL LIP	
90	1	1619685800	SEAL	
100	2	1604251901	LOCK	
120	4	1607852268	BOLT SCRAPER	

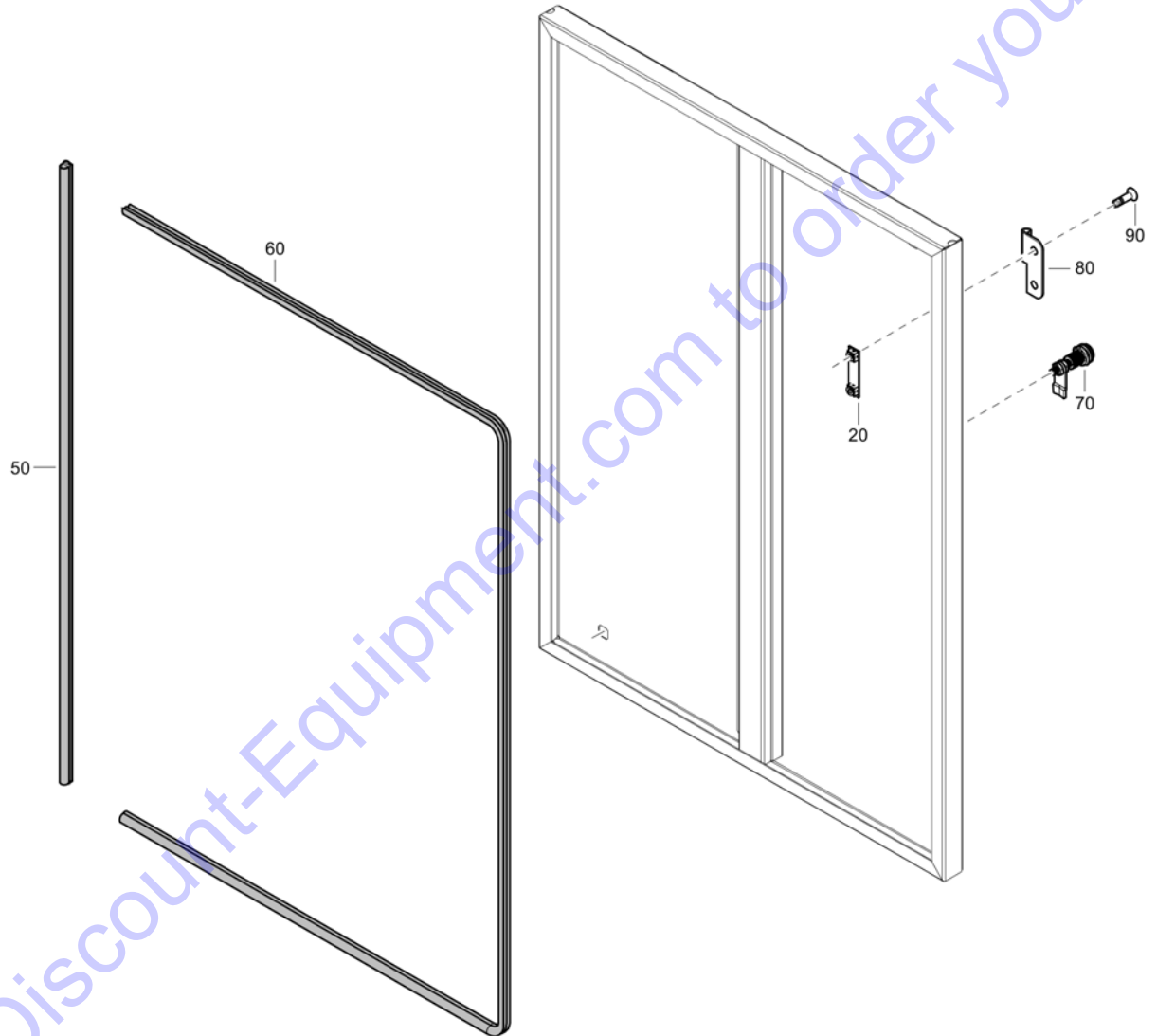
Go to Discount-Equipment.com to order your parts



Go to Discount-Equipment.com to order your parts

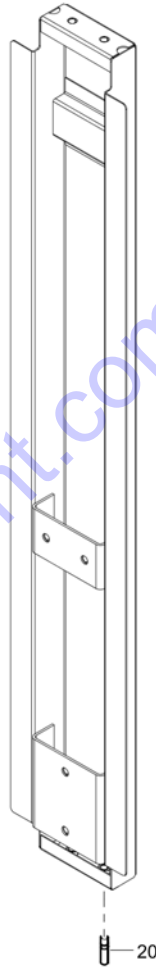
Id	Qty	Number	Name	Specifications
20	2	1615568400	BRACKET	
30	1	1619685800	SEAL	
40	1	1619266500	SEAL LIP	
50	1	1615696703	HANDLE	
60	2	1626358802	HINGE	
80	2	1604251901	LOCK	
90	4	1607852268	BOLT SCRAPER	

Go to Discount-Equipment.com to order your parts



Id	Qty	Number	Name	Specifications
20	2	1615568400	BRACKET	
50	1	1619685800	SEAL	
60	1	1619266500	SEAL LIP	
70	2	1604251901	LOCK	
80	2	1626358902	HINGE	
90	4	1607852268	BOLT SCRAPER	

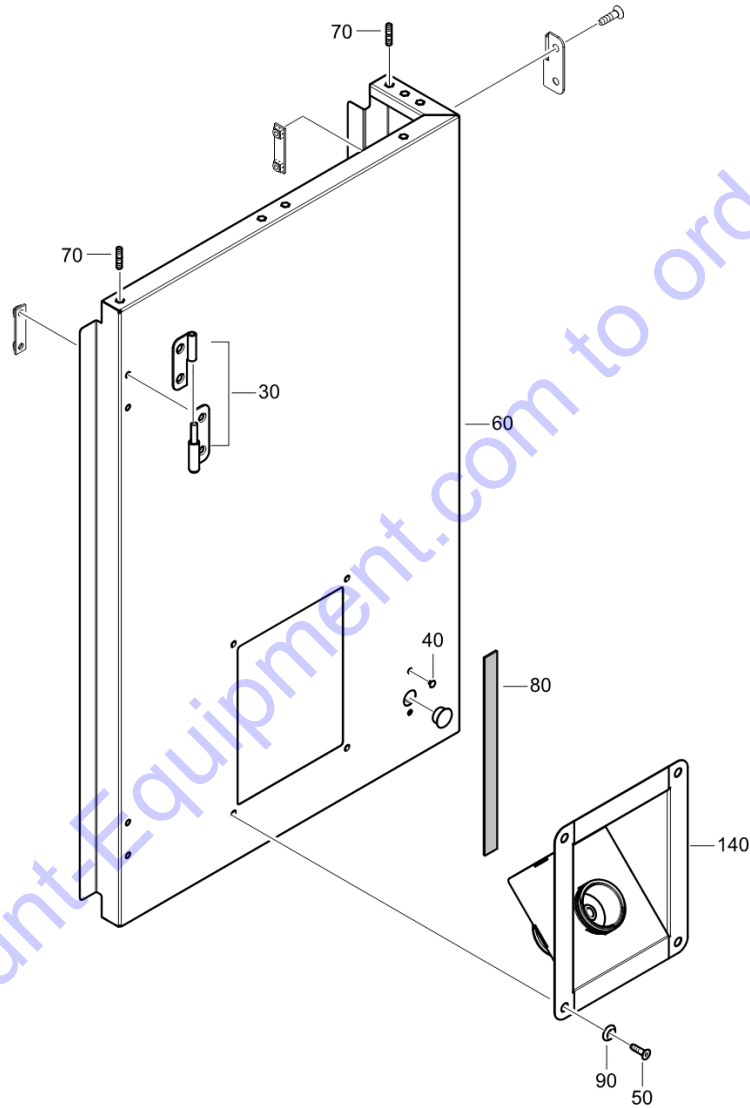
Go to Discount-Equipment.com to order your parts



Go to Discount-Equipment.com to order your parts

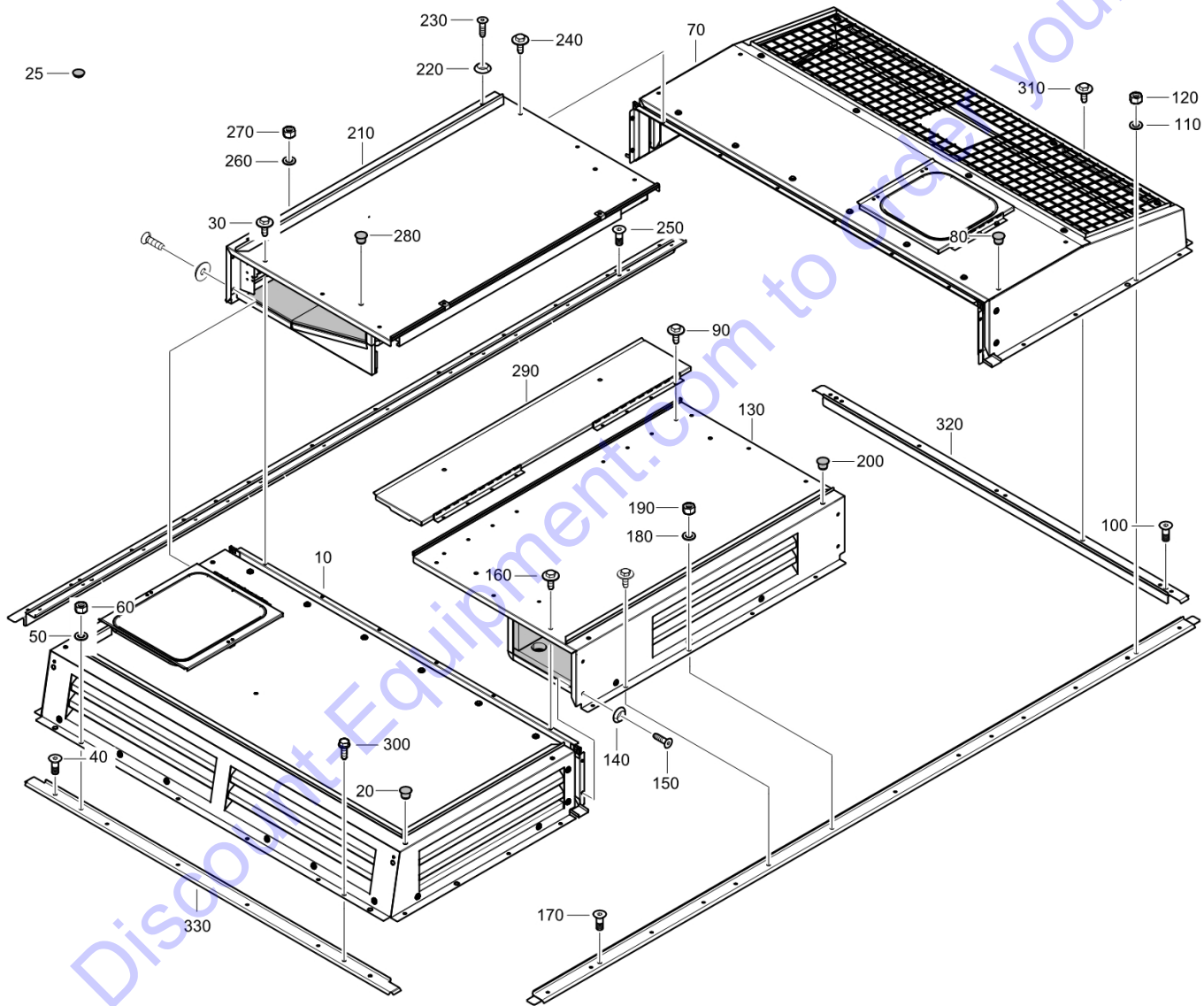
Id	Qty	Number	Name	Specifications
20	1		ROD	

Go to Discount-Equipment.com to order your parts

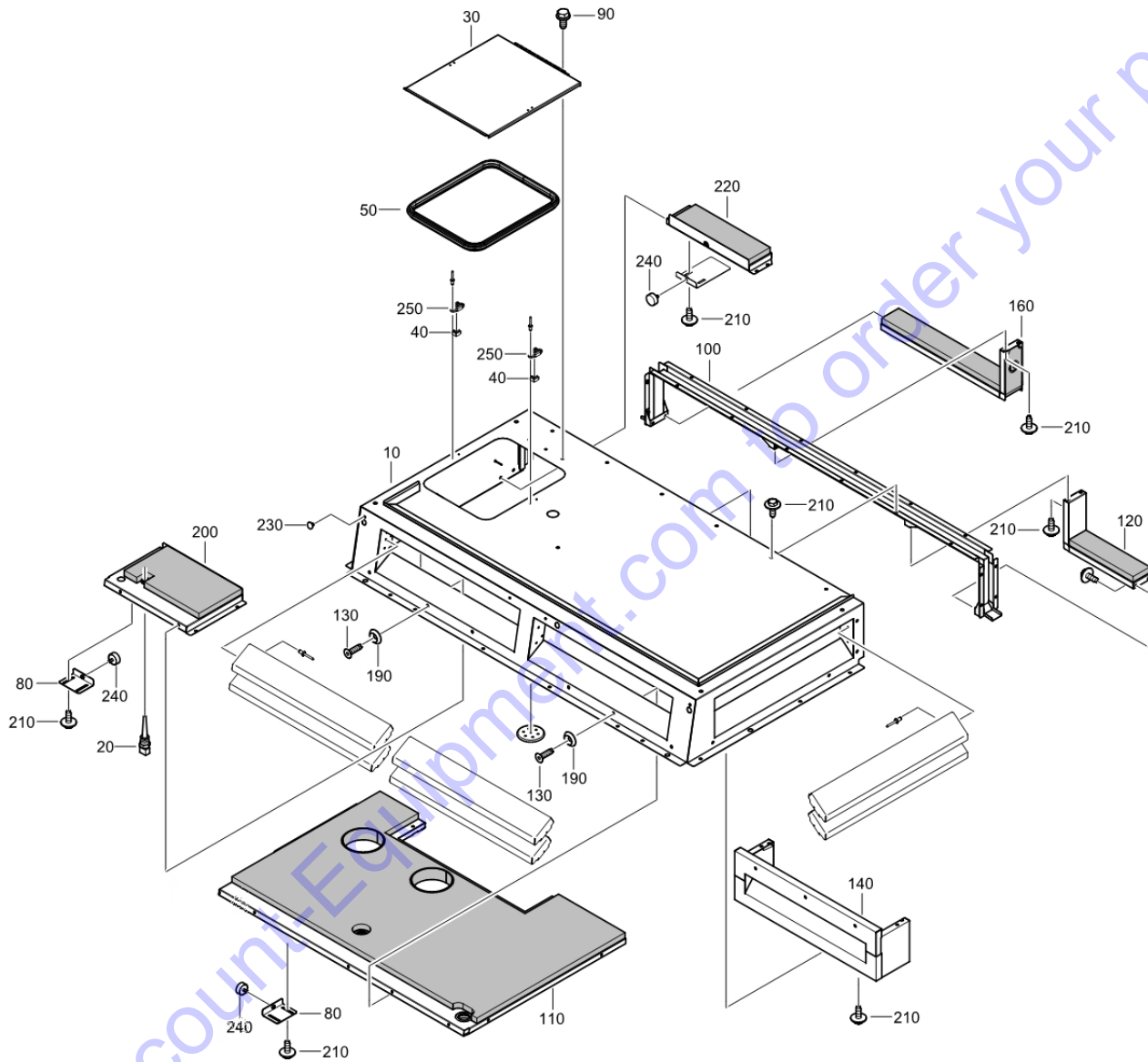


Id	Qty	Number	Name	Specifications
30	1	1626358880	HINGE	
40	2	0686925287	PLUG	
50	12	1607852268	BOLT SCRAPER	
60	1	1638134602	CANOPY	
70	2	0246195635	STUD	
80	4	1619518800	SEAL	
90	4	1607852267	WASHER	
140	1	1626930603	FUEL FUNNEL	

Go to Discount-Equipment.com to order your parts

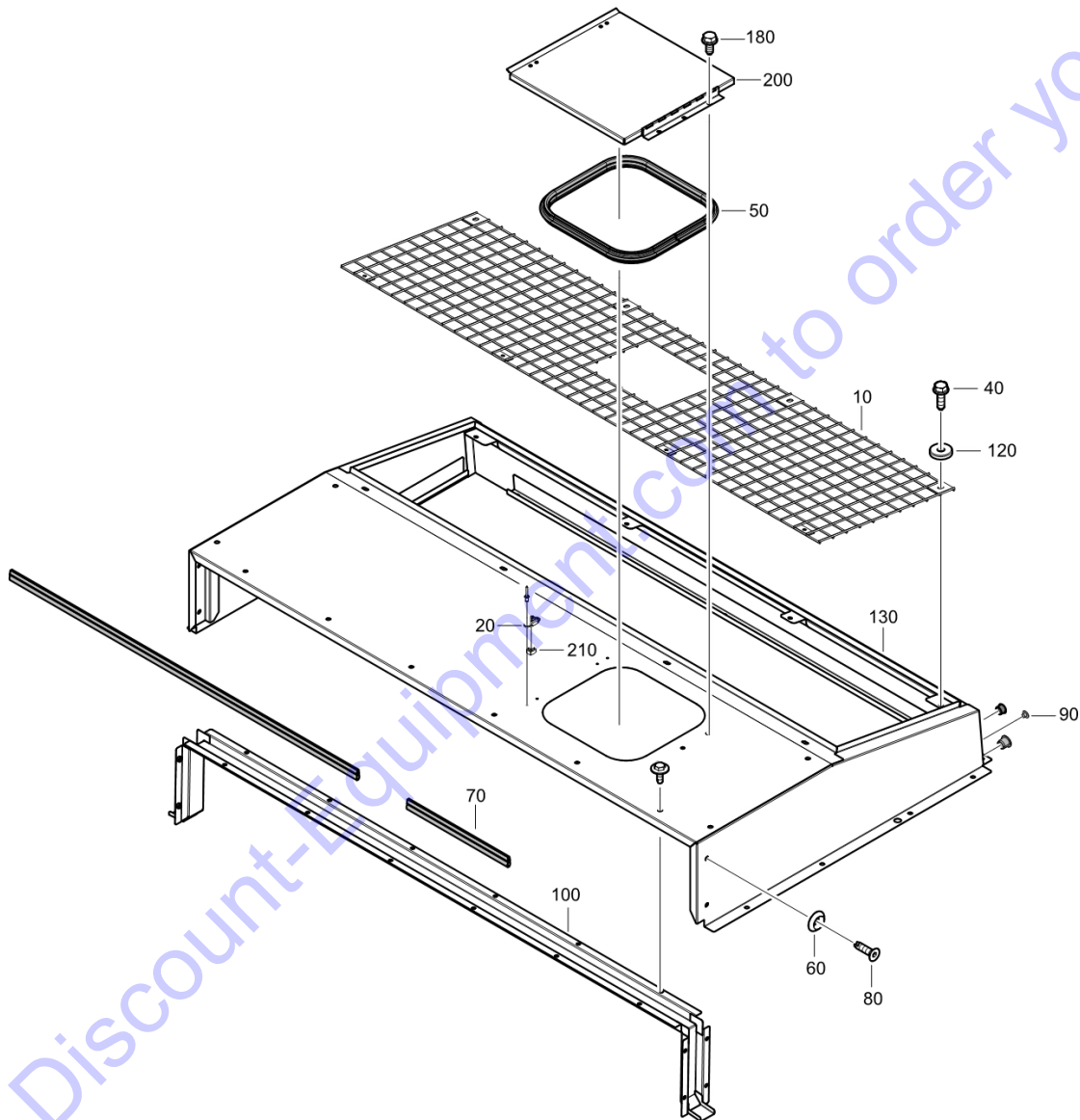


Id	Qty	Number	Name	Specifications
10	1	1626892985	ROOF	
20	4	0686925313	PLUG	
25	1	0686925275	PLUG	
30	10	1615566400	BOLT-SCRAPER:M8X25, 8.8 FZB	
40	2	0216132403	SCREW:M8X22,SOC HD,CS,\$STL	
50	2	0301233500	WASHER-FLAT:M 8.40/16.0X1.5T	
60	2	0266211000	NUT:M 8.0DX 6.8H HEX,ZN PLT,\$S	
70	1	1626893285	ROOF	
80	4	0686925313	PLUG	
90	12	1615566400	BOLT-SCRAPER:M8X25, 8.8 FZB	
100	4	0216132403	SCREW:M8X22,SOC HD,CS,\$STL	
110	4	0301233500	WASHER-FLAT:M 8.40/16.0X1.5T	
120	4	0266211000	NUT:M 8.0DX 6.8H HEX,ZN PLT,\$S	
130	1	1626893184	ROOF	
140	4	1607852267	WASHER	
150	4	1607852268	BOLT SCRAPER	
160	6	1615566400	BOLT-SCRAPER:M8X25, 8.8 FZB	
170	5	0216132403	SCREW:M8X22,SOC HD,CS,\$STL	
180	5	0301233500	WASHER-FLAT:M 8.40/16.0X1.5T	
190	5	0266211000	NUT:M 8.0DX 6.8H HEX,ZN PLT,\$S	
200	4	0686925313	PLUG	
210	1	1626893082	ROOF	
220	4	1607852267	WASHER	
230	4	1607852268	BOLT SCRAPER	
240	6	1615566400	BOLT-SCRAPER:M8X25, 8.8 FZB	
250	5	0216132403	SCREW:M8X22,SOC HD,CS,\$STL	
260	5	0301233500	WASHER-FLAT:M 8.40/16.0X1.5T	
270	5	0266211000	NUT:M 8.0DX 6.8H HEX,ZN PLT,\$S	
280	4	0686925313	PLUG	
290	1	1626880982	DOOR	
300	6	1619276600	SCREW-SELF TAP:M 8X 20 HEX HD,	
310	2	1615566400	BOLT-SCRAPER:M8X25, 8.8 FZB	
320	1	1626955100	BEAM	
330	1	1626955200	BEAM	



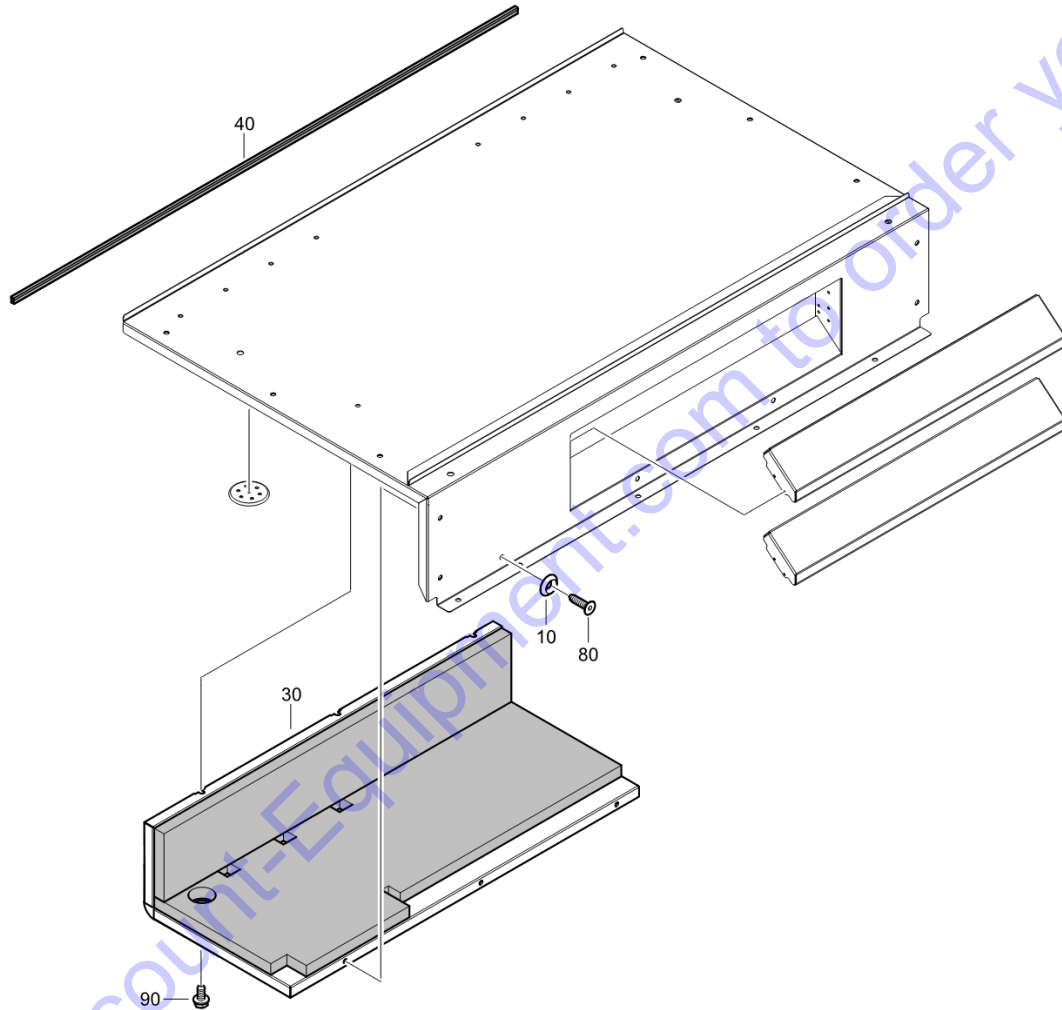
Id	Qty	Number	Name	Specifications
10	1	1626892906	ROOF	
20	1	1089057470	TEMPERATURE SENSOR	
30	1	1638179880	DOOR	
40	2	1619166303	DOOR HOOK	
50	1	1638179600	SEAL LIP	
80	3	1638102800	BRACKET	
90	3	1619276600	SCREW-SELF TAP:M 8X 20 HEX HD,	
100	1	1626964202	BEAM	
110	1	1626961983	PANEL	
120	1	1626997082	PANEL	
130	16	1607852268	BOLT SCRAPER	
140	1	1626964181	PANEL	
160	1	1626964982	PANEL	
190	16	1607852267	WASHER	
200	1	1626963782	PANEL	
210	33	1615566400	BOLT-SCRAPER:M8X25, 8.8 FZB	
220	1	1626963982	PANEL	
230	2	0686925287	PLUG	
240	3	1607852275	BUFFER	
250	2	1619166302	DOOR HOOK	

Go to Discount-Equipment.com to order your parts



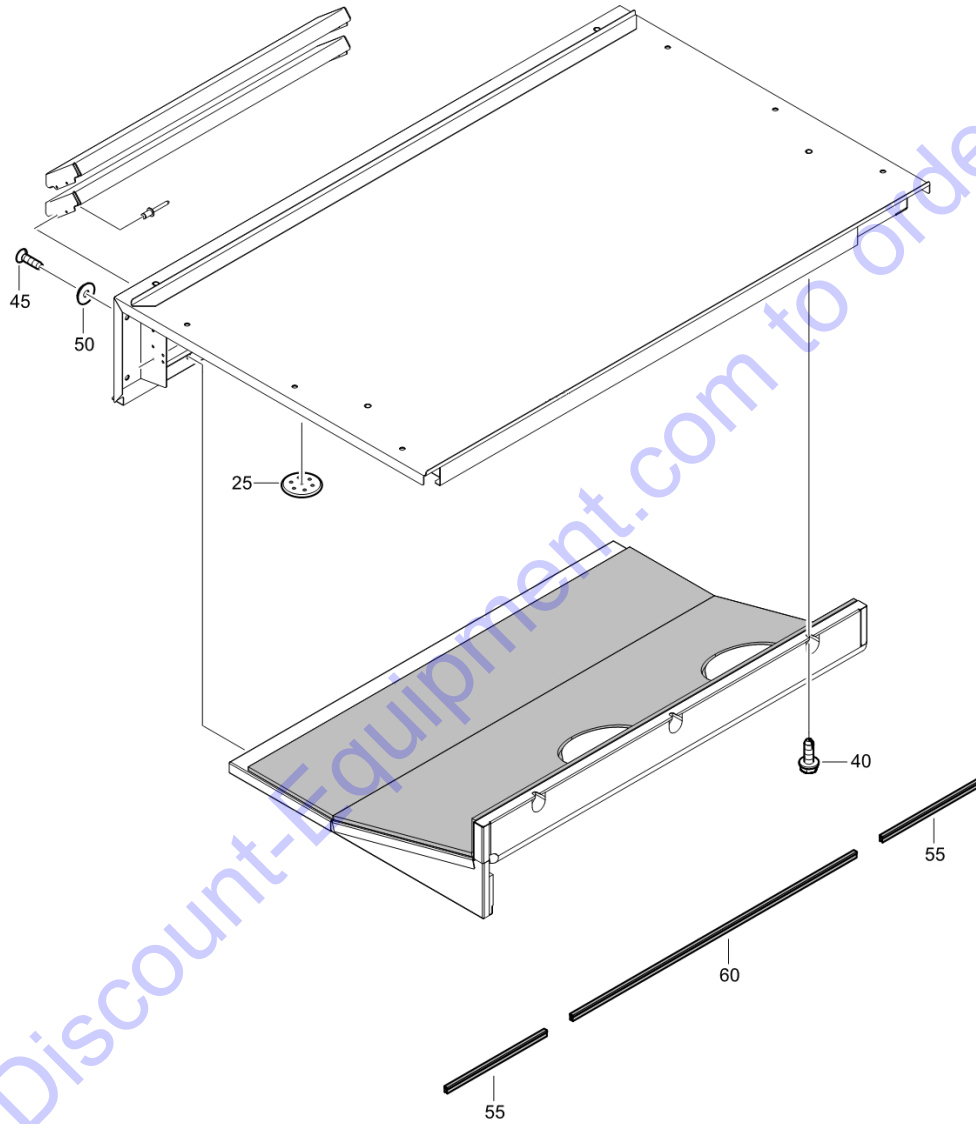
Id	Qty	Number	Name	Specifications
10	1	1638054202	GRATING	
20	2	1619166302	DOOR HOOK	
40	14	1615566400	BOLT-SCRAPER:M8X25, 8.8 FZB	
50	1	1638179600	SEAL LIP	
60	4	1607852267	WASHER	
70	2	1626407100	SEAL	
80	4	1607852268	BOLT SCRAPER	
90	2	0686925287	PLUG	
100	1	1626881902	BEAM	
120	8	0303127401	FLAT WASHER 8.4X26X5 ZN	
130	1	1626893206	ROOF	
180	3	1619276600	SCREW-SELF TAP:M 8X 20 HEX HD,	
200	1	1638054881	DOOR	Version: 1
210	2	1619166303	DOOR HOOK	

Go to Discount-Equipment.com to order your parts



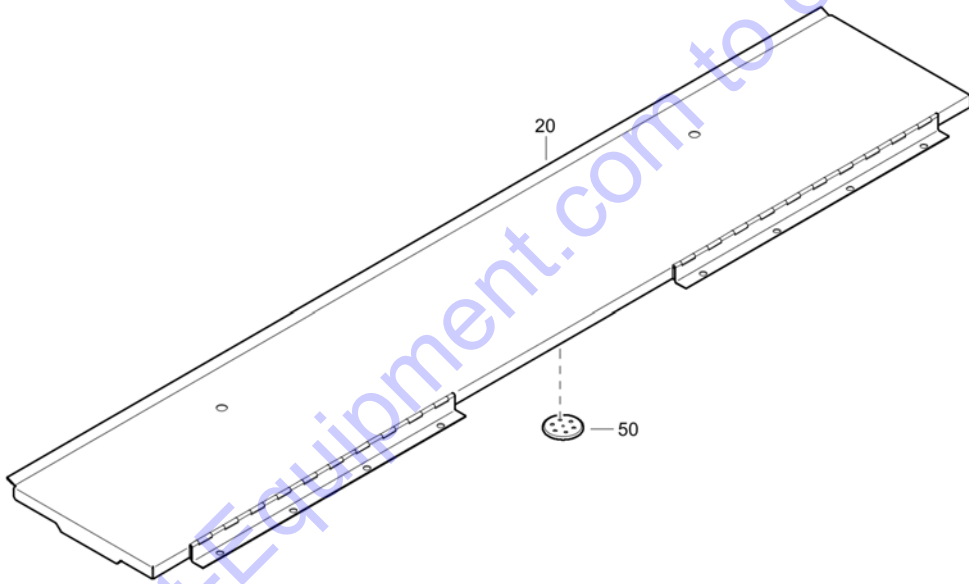
Id	Qty	Number	Name	Specifications
10	3	1607852267	WASHER	
30	1	1638003284	Roof	
40	1	1202658400	SEAL	
80	3	1607852268	BOLT SCRAPER	
90	3	1619276600	SCREW-SELF TAP:M 8X 20 HEX HD,	

Go to Discount-Equipment.com to order your parts



Id	Qty	Number	Name	Specifications
25	12	1615788400	CLIP	
40	3	1619276600	SCREW-SELF TAP:M 8X 20 HEX HD,	
45	3	1607852268	BOLT SCRAPER	
50	3	1607852267	WASHER	
55	1	1202658400	SEAL	
60	1	1202658400	SEAL	

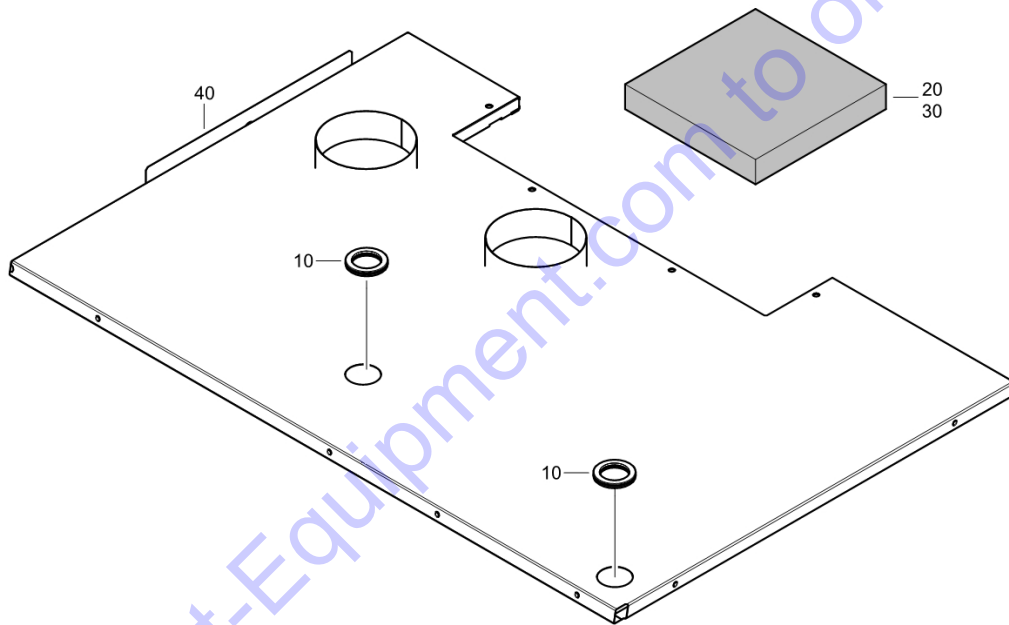
Go to Discount-Equipment.com to order your parts



Go to Discount-Equipment.com to order your parts

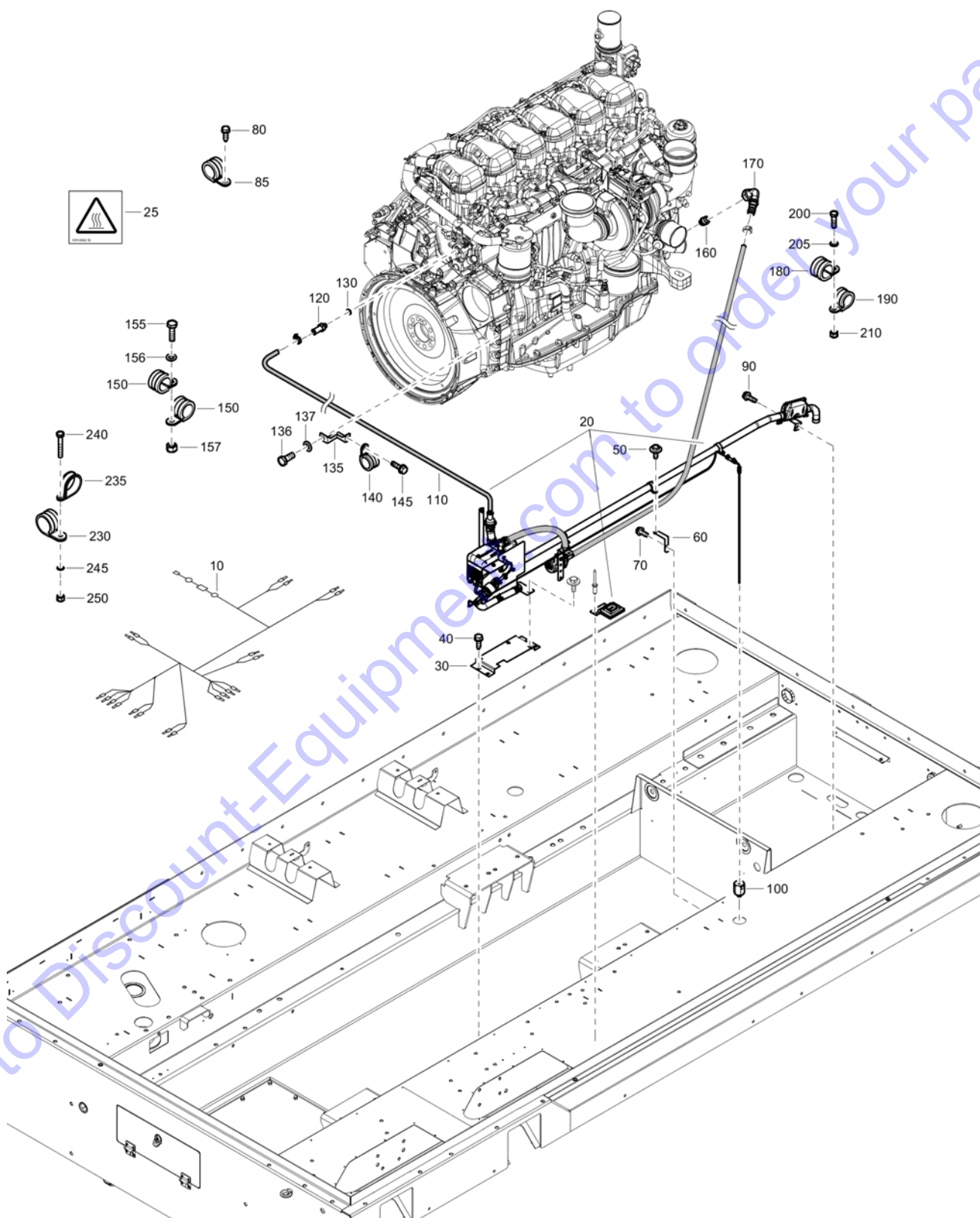
Id	Qty	Number	Name	Specifications
20	1	1626880902	Door	
50	4	1615788400	CLIP	

Go to Discount-Equipment.com to order your parts

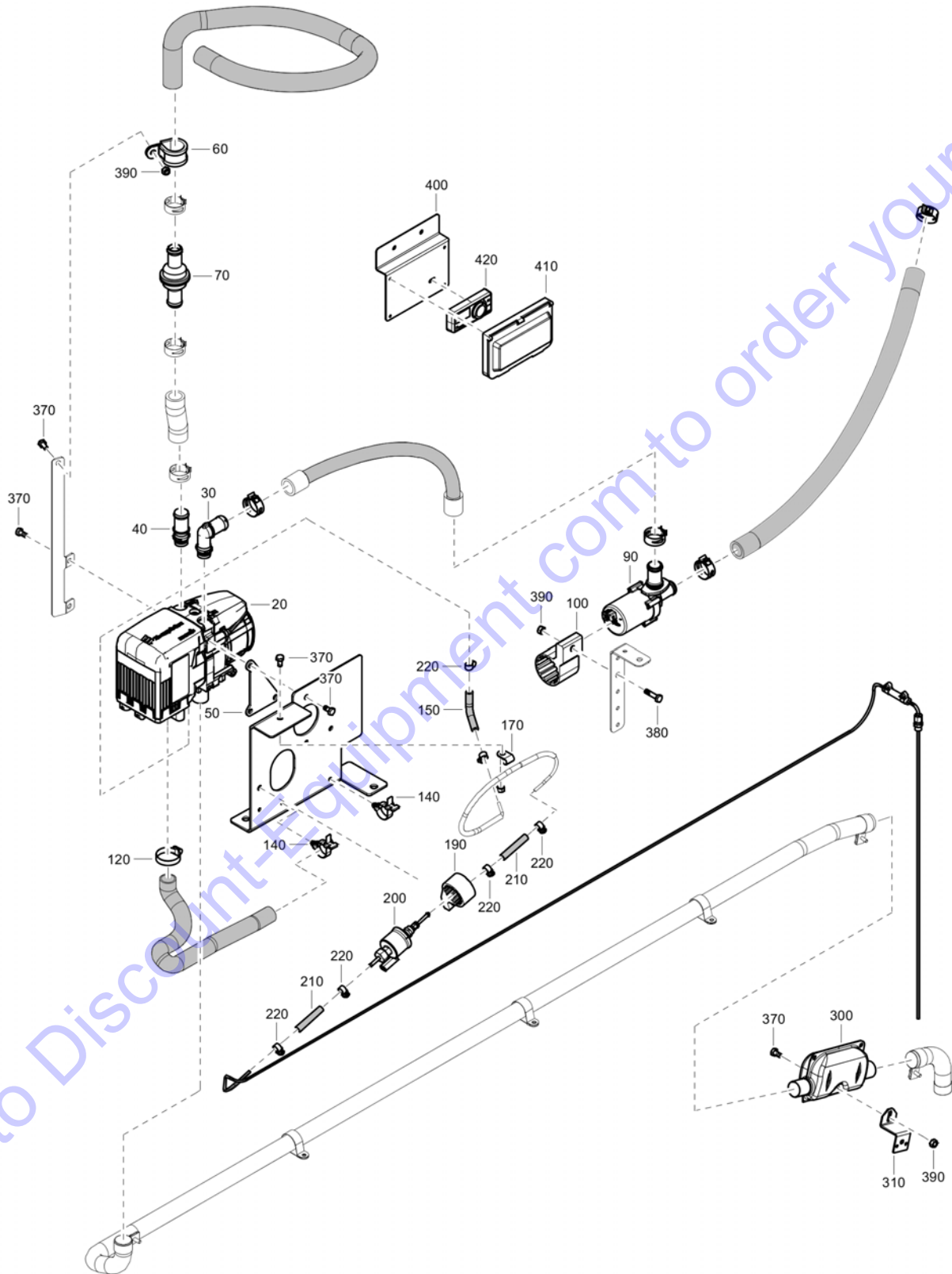


Id	Qty	Number	Name	Specifications
10	2	1626022100	GROMMET	
20	1	1638174401	INSULATION	
30	1	1638174401	INSULATION	
40	1	1626961902	PANEL	

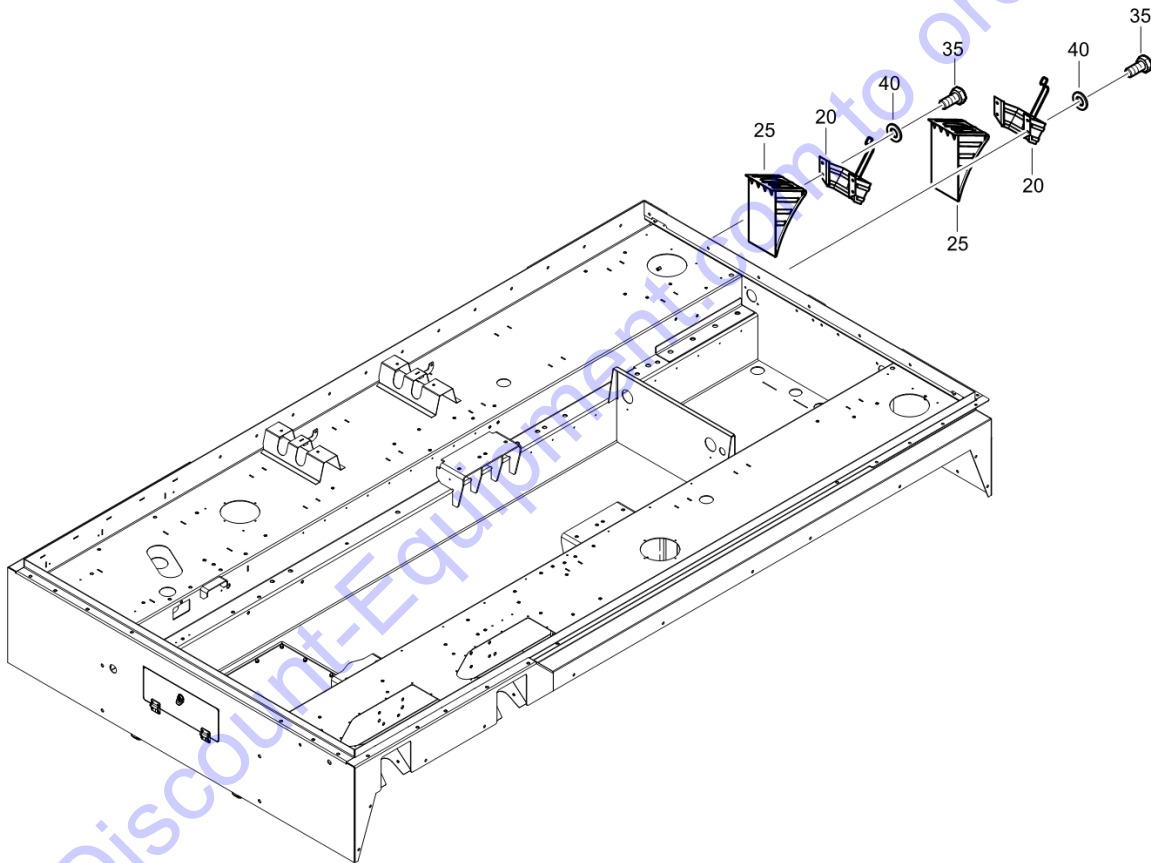
Go to Discount-Equipment.com to order your parts



Id	Qty	Number	Name	Specifications
10	1	1638648500	WIRE HARNESS	
20	1	1638724100	COOLANT HEATER	
25	2	1079990255	DECAL	
30	1	1638215400	PLATE ANCHOR	
40	4	1619276600	SCREW-SELF TAP:M 8X 20 HEX HD,	
50	3	1615566400	BOLT-SCRAPER:M8X25, 8.8 FZB	
60	3	1638113601	PLATE ANCHOR	
70	1	1615566400	BOLT-SCRAPER:M8X25, 8.8 FZB	
80	3	1619589801	BOLT-SCRAPER:M6X20, 8.8 FZB W/	
85	3	0346100210	CLAMP	
90	1	1619589801	BOLT-SCRAPER:M6X20, 8.8 FZB W/	
100	1	1638217201	NIPPLE HEXAGON	
110		0070600205	PLASTIC TUBE	
120	1	1615700401	NIPPLE HEXAGON	
130	1	0653111300	GASKET	
135	1	1626263300	SUPPORT	
136	1	0147132203	HEX. HEAD SCREW M8 X 16	
137	1	0301233500	WASHER-FLAT:M 8.40/16.0X1.5T	
140	1	0346100210	CLAMP	
145	1	1619533701	HEX. HEAD SCREW	
150	2	0346100210	CLAMP	
155	1	0147132503	HEX. HEAD SCREW M8X25	
156	1	0301233500	WASHER-FLAT:M 8.40/16.0X1.5T	
157	1	0266211000	NUT:M 8.0DX 6.8H HEX,ZN PLT,\$S	
160	1	3176293200	NIPPLE HEXAGON	
170	1	0571002055	HOSE NIPPLE	
180	1	0346100210	CLAMP	
190	1	0346100243	PIPE CLAMP	
200	1	0147124703	SCREW:M 6X 20;HEX HD,ZN PLT,\$S	
205	1	0301232100	WASHER M6	
210	1	0266210800	NUT M6	
230	1	0346101414	PIPE CLAMP	
235	2	1613080106	CLAMP	
240	1	0147125212	HEX. HEAD SCREW	
245	1	0333322000	LOCK WASHER(A) 6.4 X 11 X 0.7	
250	1	0266210800	NUT M6	

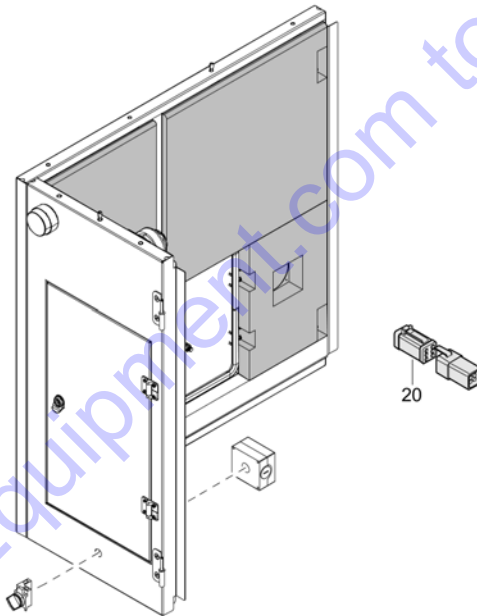


Id	Qty	Number	Name	Specifications
20	1	1638560521	COOLANT HEATER	
30	1	1638560502	CONNECTOR	
40	1	1638560501	CONNECTOR	
50	1	1638560517	PLATE	
60	1	0346100210	CLAMP	
70	1	1638560523	VALVE	
90	1	1638560505	WATERPUMP 24V	
100	1	1638560506	HOLDER	
120	1	0347610800	CLAMP	
140	3	1638560515	STRAP	
150		1638560514	HOSE	
170	1	1613080105	PIPE CLAMP	
190	1	1638560504	HOLDER	
200	1	1638560503	PUMP	
210		1638560512	HOSE	
220	8	1638560516	CLAMP	
300	1	1638560507	MUFFLER	
310	1	1638560508	SUPPORT	
370	8	0147124403	SCREW:M 6X 12;HEX HD,ZN PLT,\$S	
380	2	0147124903	HEX. BOLT M6X25X8.8	
390	5	0266210800	NUT M6	
400	1	1638725300	Support timer	
410	1	1638560511	COVER	
420	1	1638560510	TIMER	



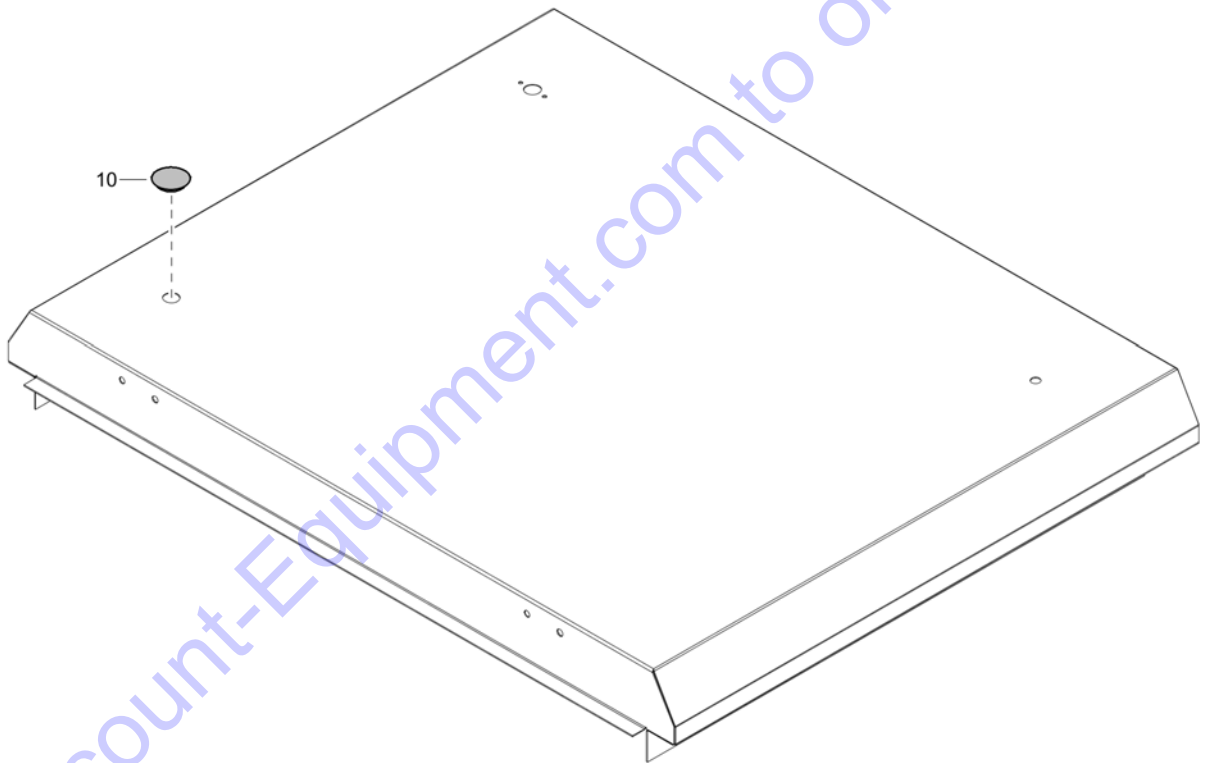
Id	Qty	Number	Name	Specifications
20	2	1604988800	BRACKET	
25	2	1604988700	STAY	
35	8	0147132203	HEX. HEAD SCREW M8 X 16	
40	8	0333322700	LOCK WASHER	

Go to Discount-Equipment.com to order your parts



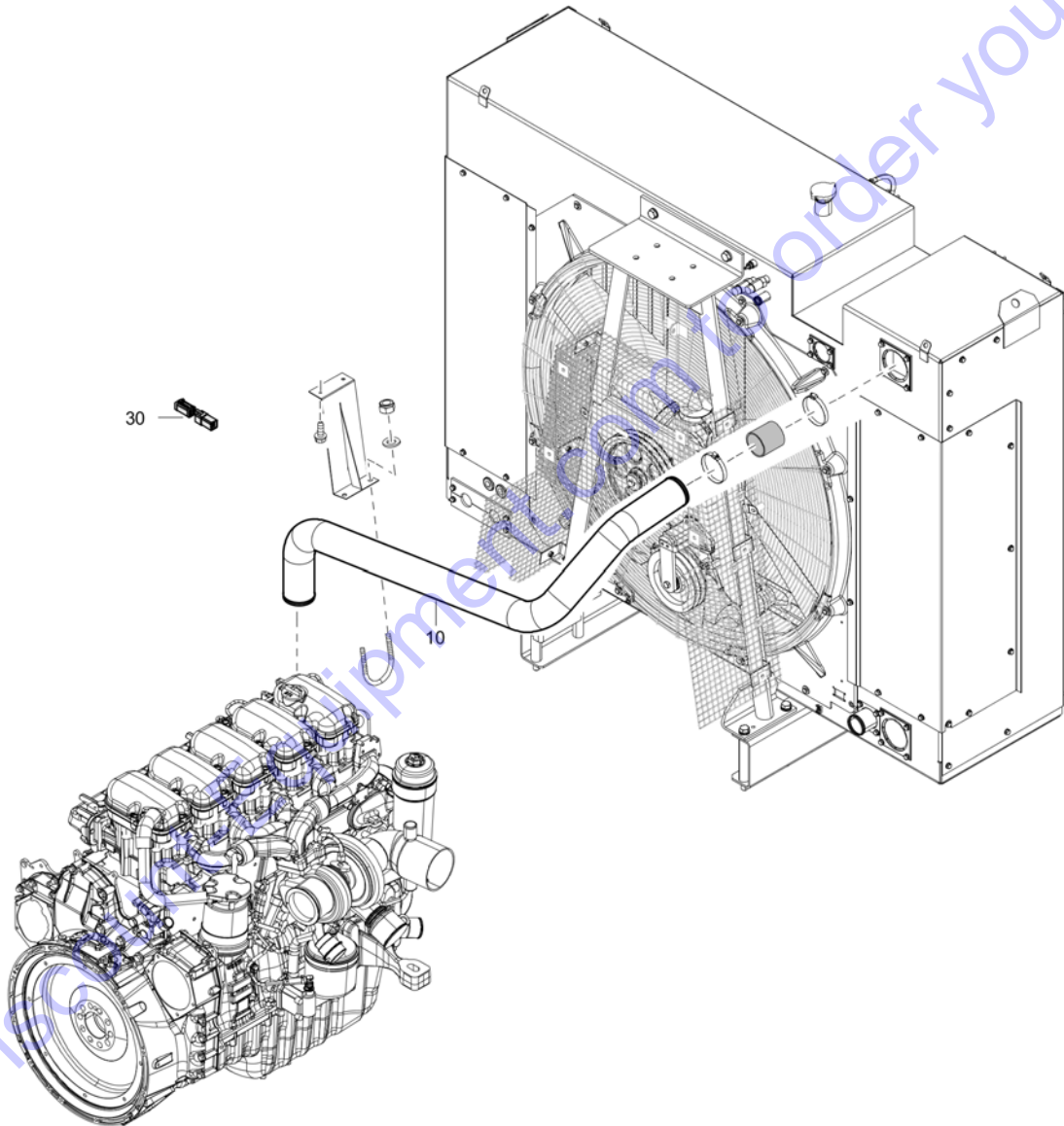
Id	Qty	Number	Name	Specifications
20	1	1089945711	CONNECTOR	

Go to Discount-Equipment.com to order your parts



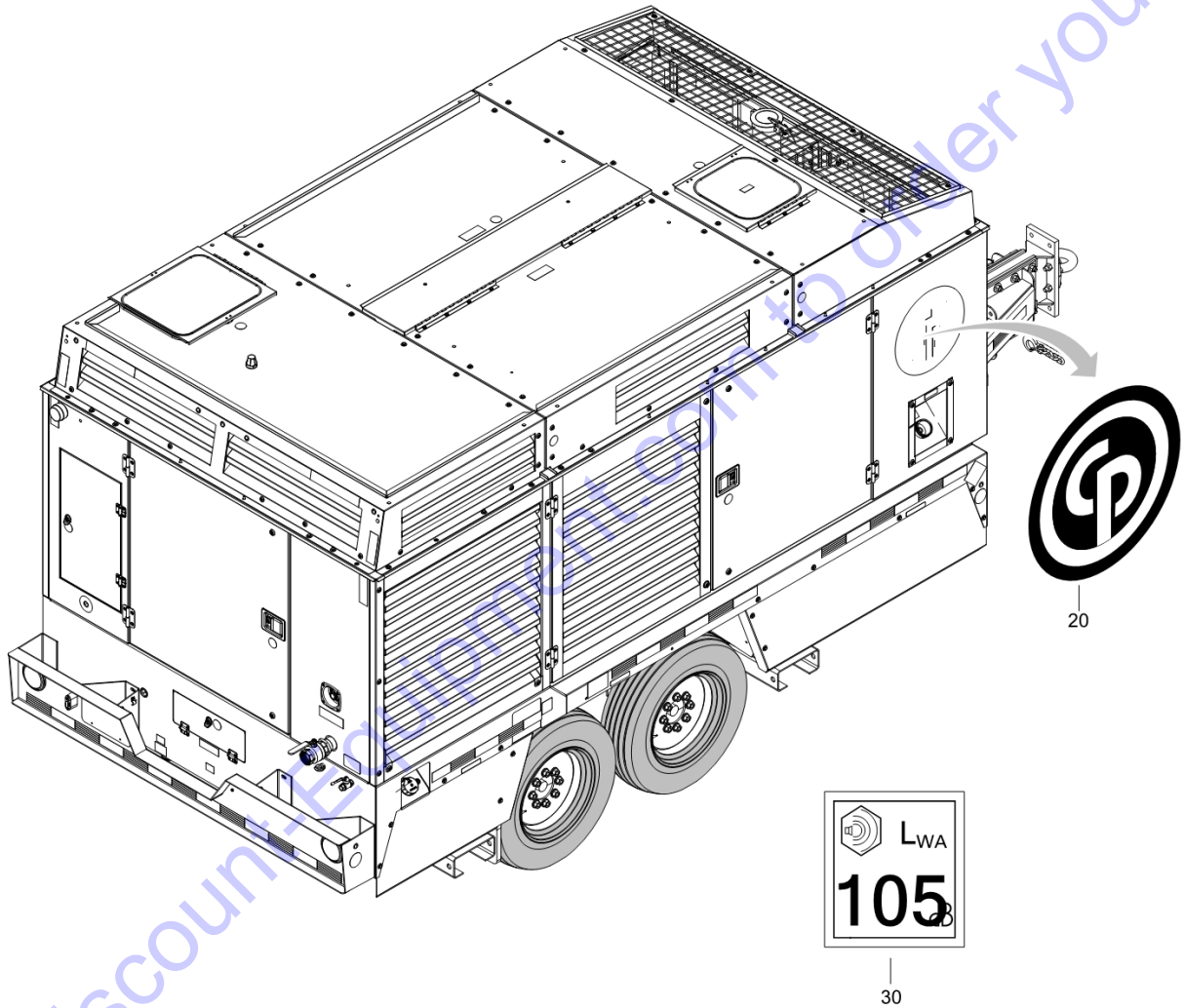
Id	Qty	Number	Name	Specifications
10	1	0686925269	PLUG	

Go to Discount-Equipment.com to order your parts



Id	Qty	Number	Name	Specifications
10	1	1626996502	PIPE	
30	1	1089945711	CONNECTOR	

Go to Discount-Equipment.com to order your parts



Id	Qty	Number	Name	Specifications
20	2	1626537304	LABEL CP LOGO	
30	1	1604331726	LABEL NOISE 105	

Go to Discount-Equipment.com to order your parts

Tampering with noise control system prohibited.

Federal law prohibits the following acts or the causing thereof:

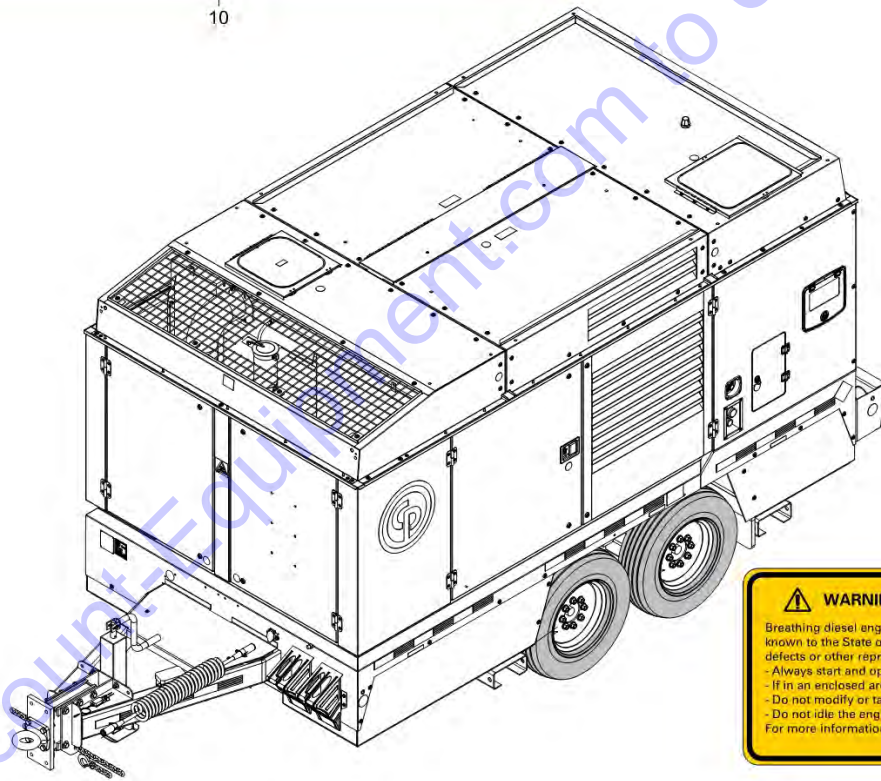
(1) The removal or rendering inoperative by any persons, other than for purposes of maintenance repair or replacement of any device or element of design incorporated into any new compression for the purpose of noise control prior to its sale or delivery to the ultimate purchaser or while it is in use; or

(2) The use of the compressor after such device or element of design has been removed or rendered inoperative by any person.

Among those acts included in the prohibition against tampering are the acts listed below:

1. Removal or rendering inoperative any of the following:	2. Removal of any of the following sound absorptive treatment, including sealing strips on doors, panels and other cavity parts:
a. engine exhaust muffler	a. fan shroud
b. cooling air exhaust and intake silencing	
c. acoustic baffles	
d. housing components, canopy, or bottom panel	
e. engine or compressor mounts	
f. vibration damping systems	
	3. Operation of the compressor with any of the enclosure doors open

10



WARNING

Breathing diesel engine exhaust exposes you to chemicals known to the State of California to cause cancer and birth defects or other reproductive harm.

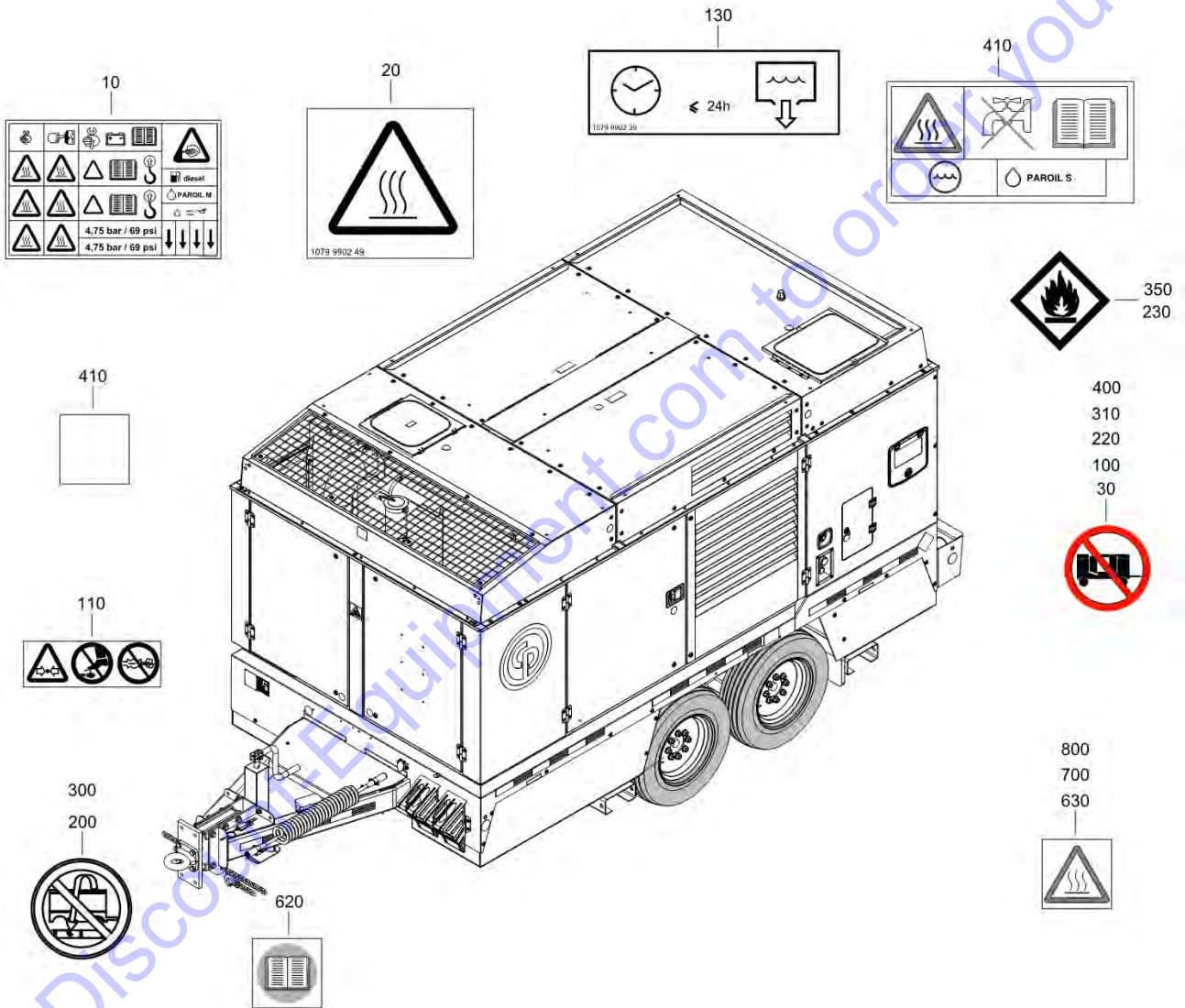
- Always start and operate the engine in a well-ventilated area.
- If in an enclosed area, vent the exhaust to the outside.
- Do not modify or tamper with the exhaust system.
- Do not idle the engine except as necessary.

For more information go to www.P65warnings.ca.gov/diesel

20

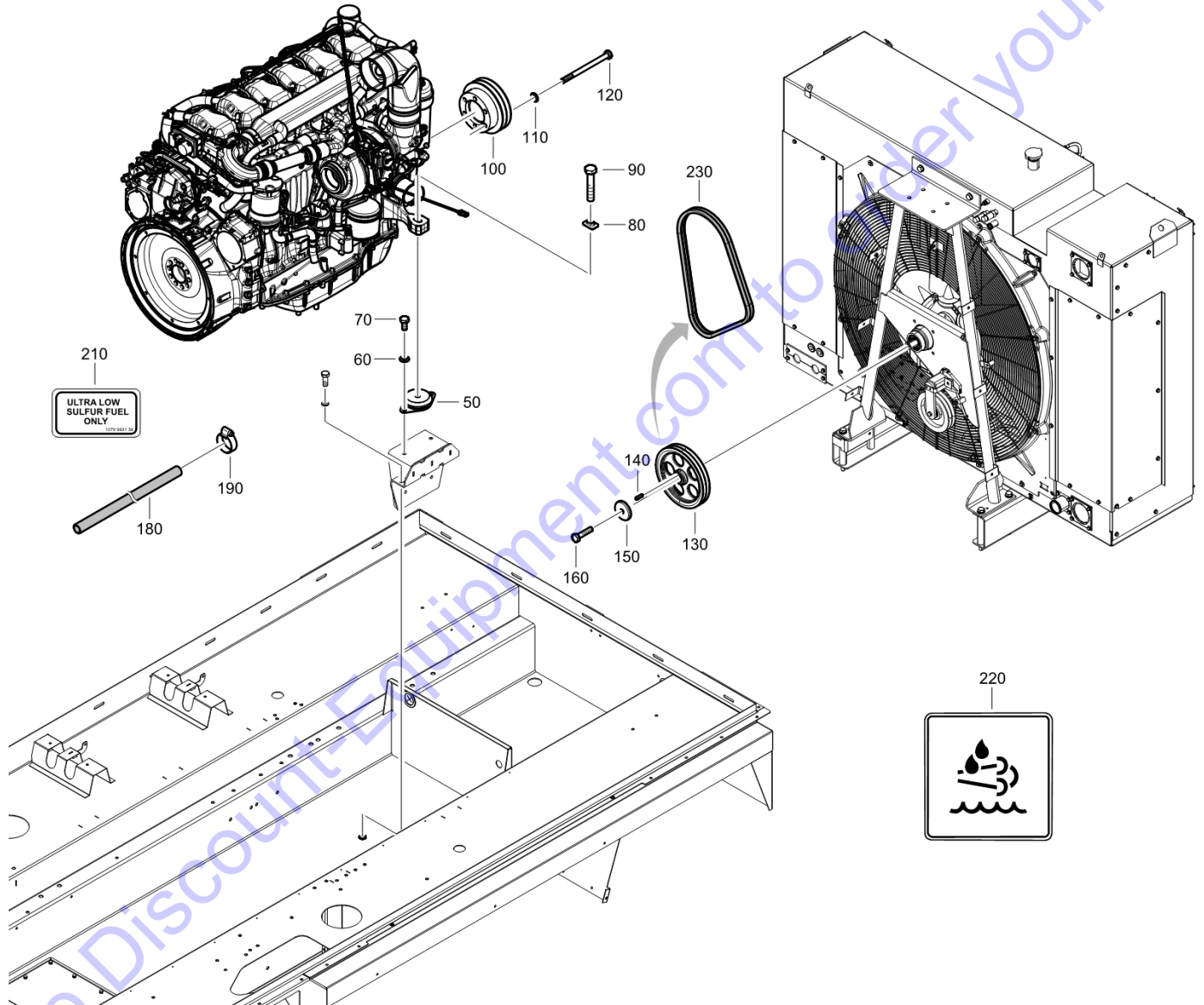
Id	Qty	Number	Name	Specifications
10	1	1079993186	DECAL	
20	1	1638530300	DECAL	

Go to Discount-Equipment.com to order your parts



Id	Qty	Number	Name	Specifications
10	1	1638529900	DECAL SYMBOLS	
20	1	1079990249	LABEL:CAUTION-HOT SURFACE	
30	4	1607852310	DECAL WARNING	
100	3	1607852310	DECAL WARNING	
110	1	1079993278	DECAL WARNING	
130	1	1079990239	INFORM. LABEL	
200	2	1607852361	DECAL WARNING	
220	2	1607852310	DECAL WARNING	
230	1	0690911003	DECAL SYMBOLS	
300	2	1607852361	DECAL WARNING	
310	1	1607852310	DECAL WARNING	
350	1	0690911003	DECAL SYMBOLS	
400	1	1607852310	DECAL WARNING	
410	1	1638530000	DECAL SYMBOLS	
620	1	1079992207	INFORMATION LABEL	
630	4	1079990255	DECAL	
700	2	1079990255	DECAL	
800	3	1079990255	DECAL	

Go to Discount-Equipment.com to order your parts

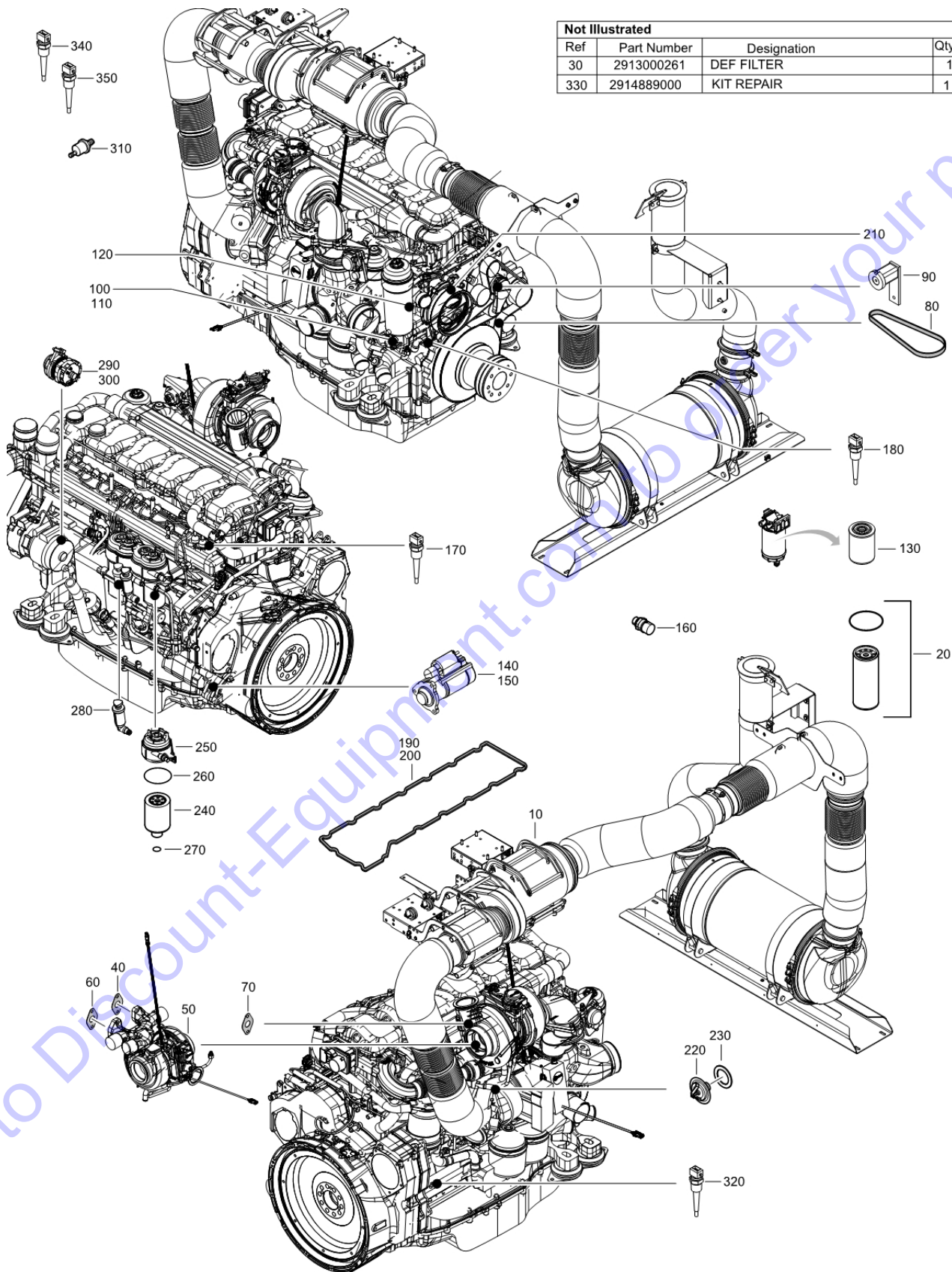


ULTRA LOW SULFUR FUEL ONLY

Go to Discount Equipment.com to order your parts

Id	Qty	Number	Name	Specifications
50	2	1615550900	RUBBER BUFFER	
60	4	0301235800	WASHER-FLAT:M13.0/24.0X2.0T,	
70	4	0147140003	SCREW:M12X 25;HEX HD,ZN PLT,\$S	
80	2	1626814101	PLATE ANCHOR	
90	2	0147148503	BOLT M16*80 FZB	
100	1	1638006303	PULLEY	
110	6	0301237100	PLAIN WASHER	
120	6	0147196459	BOLT HEXAGON	
130	1	1607863891	PULLEY	
140	1	0337815800	PARALLEL KEY	
150	1	1615544100	WASHER:M 12.5/52.0X8.0T	
160	1	0147140403	HEX. BOLT M12X45X8.8	
180	0.56	0075402536	HOSE	
190	1	0347611000	HOSE CLAMP	
210	1	1079993139	Decal	
220	1	1638024700	DECAL SYMBOLS	
230	2	0367019104	NARROW V-BELT	

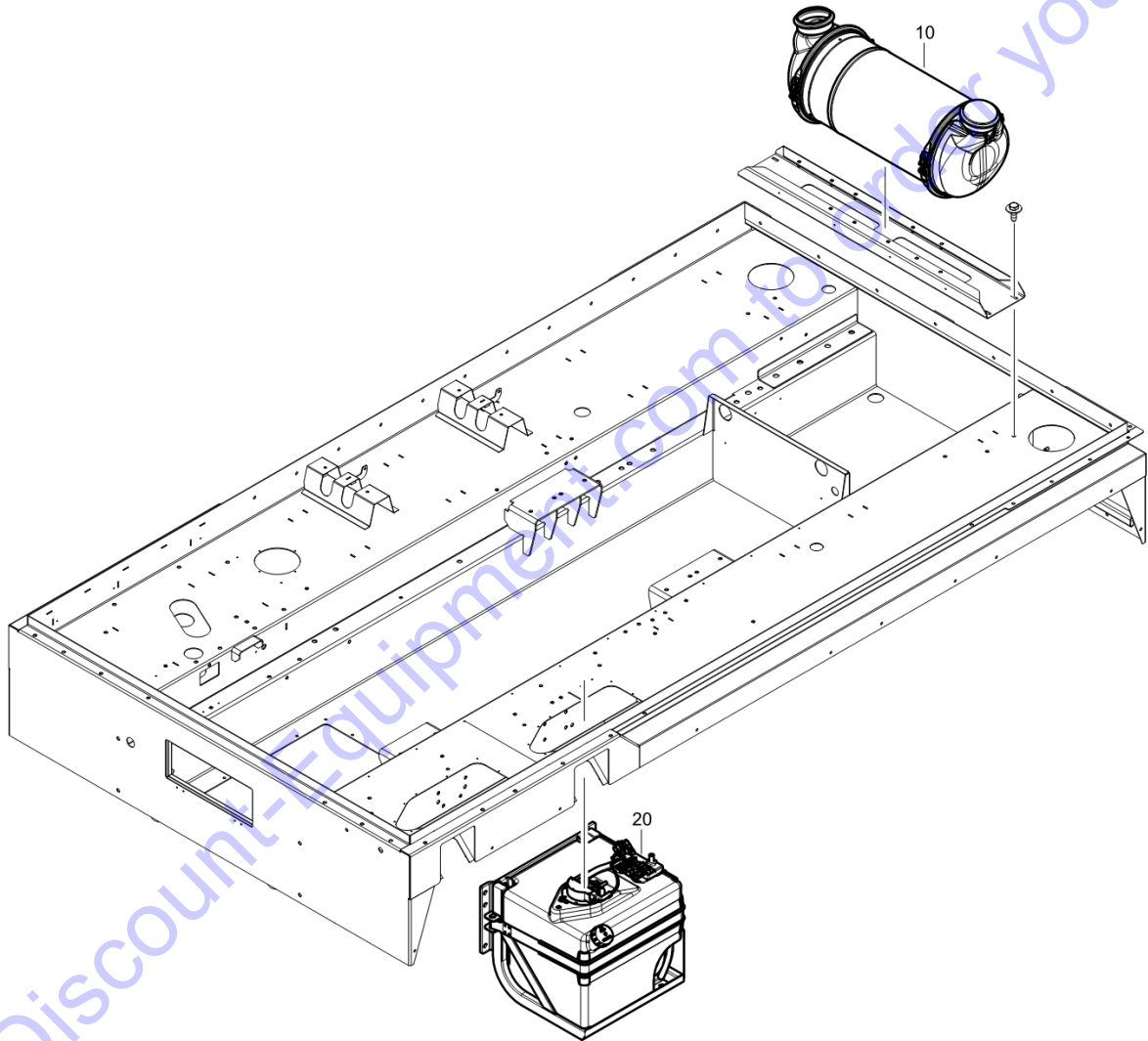
Go to Discount-Equipment.com to order your parts



Not Illustrated			
Ref	Part Number	Designation	Qty
30	2913000261	DEF FILTER	1
330	2914889000	KIT REPAIR	1

Go to Discount-Equipment.com to order your parts

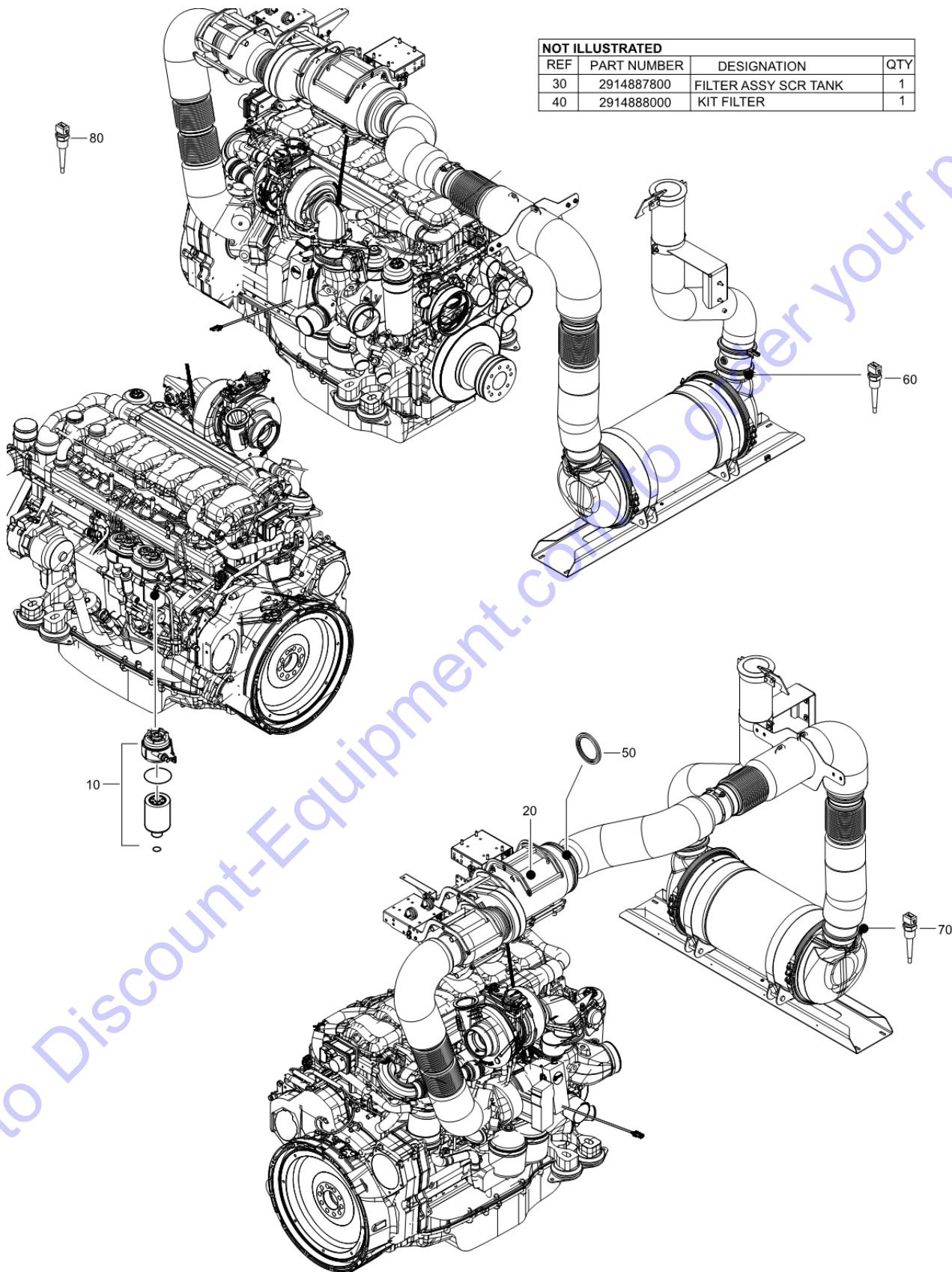
Id	Qty	Number	Name	Specifications
10	1	2913000263	KIT ENGINE AND AFTERTREATMENT	
20	1	2913000260	FUEL FILTERS KIT	
30	1	2913000261	DEF FILTER	
40	1	2914738800	GASKET EXHAUST MANIFOLD	
50	1	2914739000	TURBO CHARGER	
60	1	2914739100	GASKETS TURBO CHARGER	
70	1	2914739200	GASKET OIL PIPE TURBO	
80	1	2914739400	POLY V-BELT	
90	1	2914739500	BELT TENSIONER	
100	1	2914739600	WATER PUMP	
110	1	2914739700	WATER PUMP (EXCHANGE)	
120	1	2914739800	GASKETS COOLANT PUMP	
130	1	1092035897	FILTER ELEMENT	
140	1	2914740000	STARTER MOTOR	
150	1	2914740100	STARTER MOTOR (EXCHANGE)	
160	1	2914740200	SENSOR SPEED	
170	1	2914740300	SENSOR CHARGE PRESS	
180	1	2914740400	SENSOR CAMSHAFT POSITION	
190	1	2914885600	GASKET ROCKER COVER	
200	1	2914885700	GASKET ROCKER COVER	
210	1	2914886600	IDLER ROL	
220	1	2914886700	THERMOSTAT	
230	1	2914886800	GASKET	
240	1	2914887100	COVER FUEL FILTER	
250	1	2914887200	COVER	
260	1	2914887300	O-RING FUEL FILTER COVER	
270	1	2914887400	O-RING	
280	1	2914887700	HAND PUMP FUEL FEED	
290	1	2914888200	ALTERNATOR	
300	1	2914888300	ALTERNATOR (EXCHANGE)	
310	1	2914888800	SENSOR OIL PRESSURE T5	
320	1	2914888900	SENSOR TEMP ENGINE COOLING T33	
330	1	2914889000	KIT REPAIR	
340	1	2914889500	SENSOR MASS FLOW T126	
350	1	2914889600	SENSOR COOLANT LEVEL T8	



Id	Qty	Number	Name	Specifications
10	1	1626939900	SCR DC13+DC16 T4F	
20	1	1638417100	TANK UREA T4	

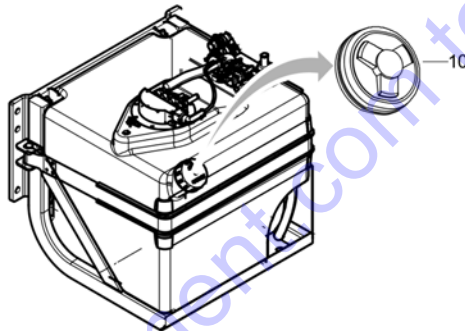
Go to Discount-Equipment.com to order your parts

NOT ILLUSTRATED			
REF	PART NUMBER	DESIGNATION	QTY
30	2914887800	FILTER ASSY SCR TANK	1
40	2914888000	KIT FILTER	1



Id	Qty	Number	Name	Specifications
10	1	2914887500	KIT FILTER SCR	
20	1	2914887600	REDUCTANT DOSER	
30	1	2914887800	FILTER ASSY SCR TANK	
40	1	2914888000	KIT FILTER (PRE FILT DOSER-T4)	
50	1	2914888100	SEAL GRAPHITE DOSER (T4)	
60	1	2914888600	SENSOR NOX	
70	1	2914889300	SENSOR EXHAUST TEMP. T113	
80	1	2914889400	SENSOR NOX T115	

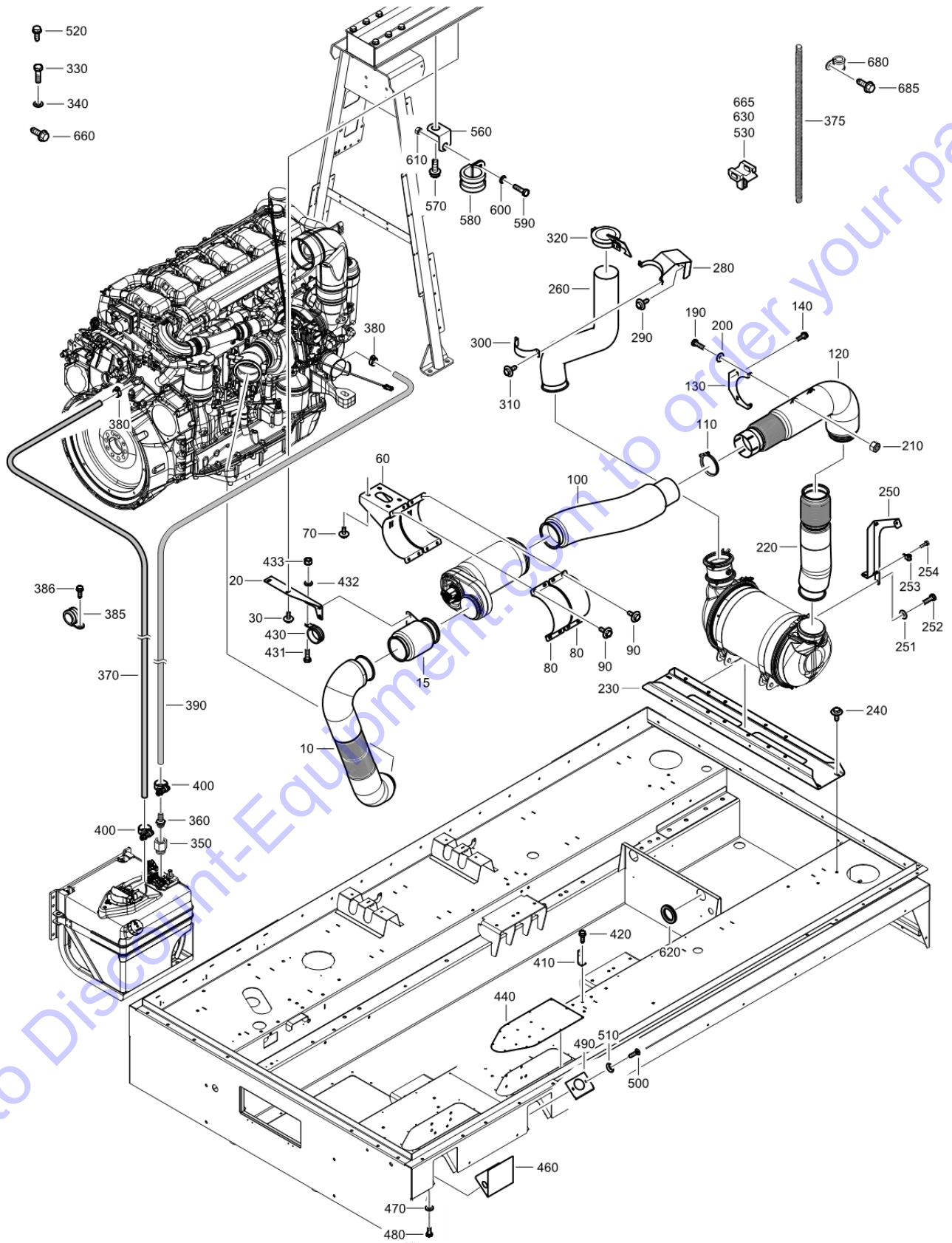
Go to Discount-Equipment.com to order your parts



Go to Discount-Equipment.com to order your parts

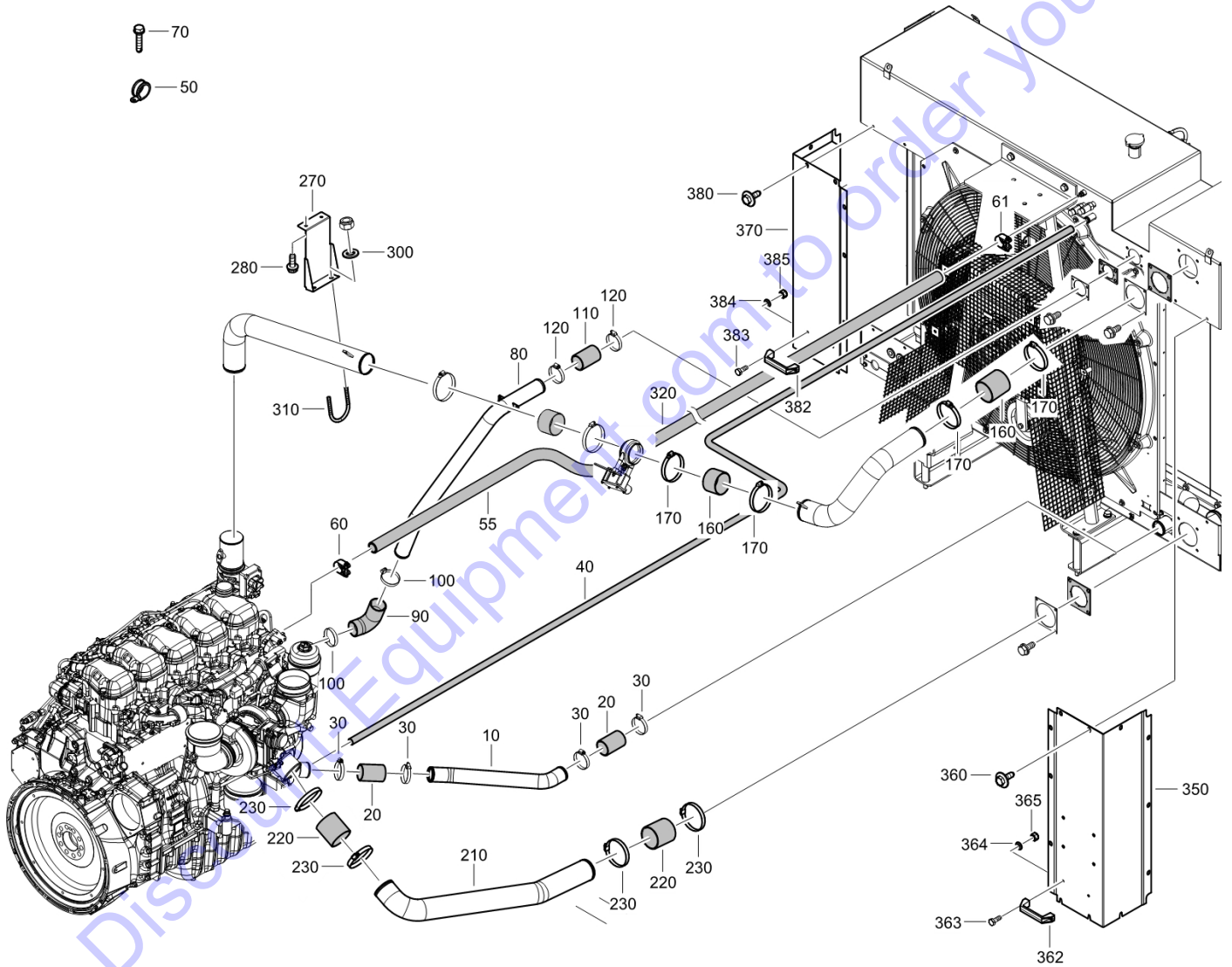
Id	Qty	Number	Name	Specifications
10	1	2913400000	FILLER CAP UREA SCANIA	

Go to Discount-Equipment.com to order your parts



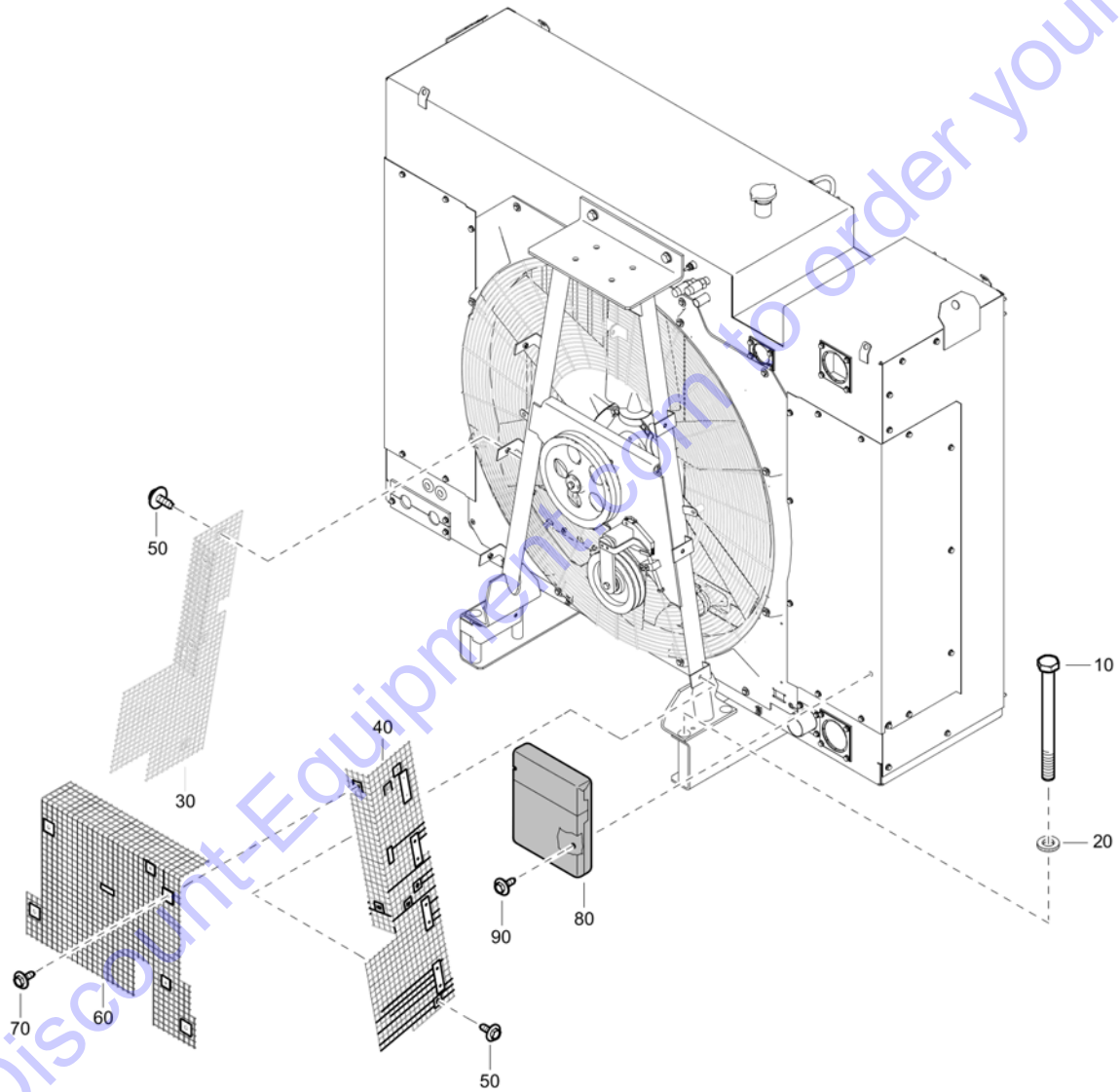
Id	Qty	Number	Name	Specifications
10	1	1638143201	PIPE EXHAUST	
15	1	1638180401	PIPE	
20	1	1638250101	SUPPORT	
30	4	1615566400	BOLT-SCRAPER:M8X25, 8.8 FZB	
60	1	1626990300	SUPPORT	
70	4	1615566400	BOLT-SCRAPER:M8X25, 8.8 FZB	
80	2	1626995000	CLAMP PIPE	
90	8	1619533701	HEX. HEAD SCREW	
100	1	1626969801	PIPE	
110	1	0346300110	CLAMP	
120	1	1626969903	PIPE	
130	2	1638221900	SUPPORT	
140	2	1619276600	SCREW-SELF TAP:M 8X 20 HEX HD,	
190	2	0147132503	HEX. HEAD SCREW M8X25	
200	2	0300801900	WASHER-FLAT:M 8.40/25.0X2.0T	
210	2	0266211000	NUT:M 8.0DX 6.8H HEX,ZN PLT,\$S	
220	1	1626970002	PIPE	
230	1	1626894907	SUPPORT	
240	4	1615566400	BOLT-SCRAPER:M8X25, 8.8 FZB	
250	1	1638416201	GUIDE	
251	2	0300801900	WASHER-FLAT:M 8.40/25.0X2.0T	
252	2	0147132303	SCREW HEXAGON	
253	5	1613080100	CLAMP	
254	5	0147124703	SCREW:M 6X 20;HEX HD,ZN PLT,\$S	
260	1	1626892502	PIPE	
280	1	1626925103	BRACKET	
290	2	1615566400	BOLT-SCRAPER:M8X25, 8.8 FZB	
300	1	1626550401	BRACKET	
310	2	1615566400	BOLT-SCRAPER:M8X25, 8.8 FZB	
320	1	1615881700	COVER EXHAUST	
330	6	0147140103	SCREW:M12X 30;HEX HD,ZN PLT,\$S	
340	6	0301235800	WASHER-FLAT:M13.0/24.0X2.0T,	
350	1	0571003529	HEXAGON NIPPLE	
360	1	0571002015	NIPPLE-HOSE:.500G X 10MM BARB	
370		1607843954	HOSE	
375	1	1638432802	SPRING	
380	2	0347610400	HOSE CLAMP	
385	1	0346100209	PIPE CLAMP	
386	1	1619276600	SCREW-SELF TAP:M 8X 20 HEX HD,	
390		0071840290	FUEL HOSE	
400	2	0347610500	HOSE CLAMP TYPE A D=16	
410	2	1615561400	BRACKET	
420	2	1619276600	SCREW-SELF TAP:M 8X 20 HEX HD,	
430	2	0346100205	CLAMP	
431	2	0147124703	SCREW:M 6X 20;HEX HD,ZN PLT,\$S	
432	2	0301232100	WASHER M6	
433	2	0266210800	NUT M6	
440	1	1638130702	PLATE COVER	

Id	Qty	Number	Name	Specifications
460	1	1638129701	COVER PROTECT.	
470	2	0300027622	PLAIN WASHER	
480	2	0147196272	HEX. HEAD SCREW	
490	1	1638120200	PLATE COVER	
500	2	1607852268	BOLT SCRAPER	
510	2	1607852267	WASHER	
520	2	1619589801	BOLT-SCRAPER:M6X20, 8.8 FZB W/	
530	3	0348011003	PLATE ANCHOR	
560	2	1613080800	BRACKET	
570	2	1619276600	SCREW-SELF TAP:M 8X 20 HEX HD,	
580	2	1613080100	CLAMP	
590	2	0147124703	SCREW:M 6X 20;HEX HD,ZN PLT,\$S	
600	2	0301232100	WASHER M6	
610	2	0266210800	NUT M6	
620	1	1626022100	GROMMET	
630	13	0348011003	PLATE ANCHOR	
660	2	1619589801	BOLT-SCRAPER:M6X20, 8.8 FZB W/	
665	4	0348011003	PLATE ANCHOR	
680	8	1613080103	CLAMP	
685	8	1619589801	BOLT-SCRAPER:M6X20, 8.8 FZB W/	



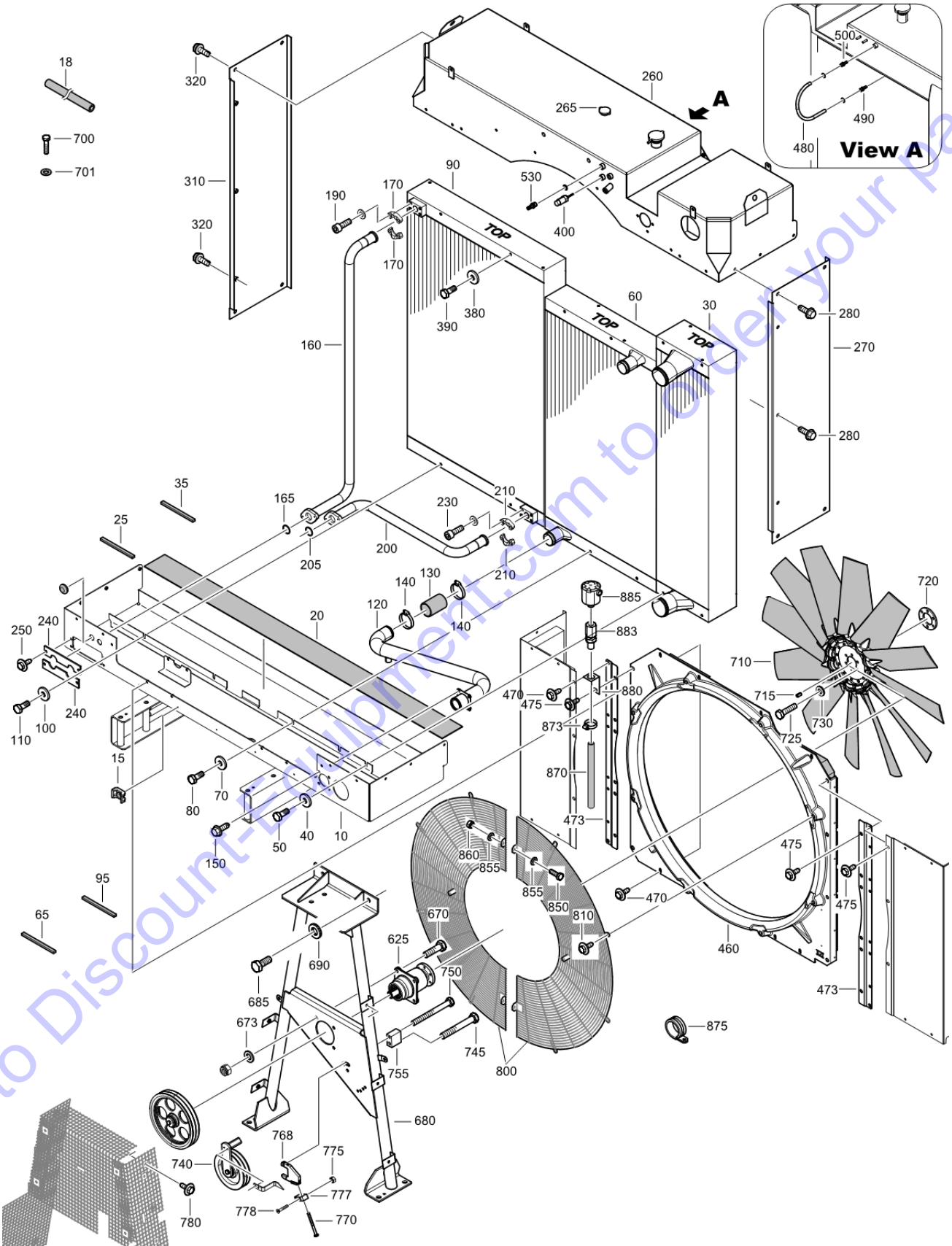
Id	Qty	Number	Name	Specifications
10	1	1626996602	PIPE	
20	2	1626365100	HOSE	
30	4	0347611400	HOSE CLAMP	
40		1607843993	HOSE	
50	2	0346100314	CLAMP	
55	2	0324100016	DISTANCE SLEEVE	
60	1	1607852305	CLAMP HOSE	
61	1	1607852305	CLAMP HOSE	
70	2	1619533703	SCR.BOLT M8X40 L994/L993	
80	1	1626997903	Pipe	
90	1	1626814701	HOSE	
100	2	0347611400	HOSE CLAMP	
110	1	1626365100	HOSE	
120	2	0347611400	HOSE CLAMP	
160	2	1604135603	HOSE	
170	4	0347610023	CLAMP	
210	1	1626996401	PIPE -	
220	2	1604135603	HOSE	
230	4	0347610023	CLAMP	
270	1	1638117202	Bracket	
280	2	0147196272	HEX. HEAD SCREW	
300	2	0301235800	WASHER-FLAT:M13.0/24.0X2.0T,	
310	1	0346290027	U-BOLT M12X124XSTEEL	
320		0075402569	HOSE:3/8" PUSH-LOK	
350	1	1638057783	PLATE COVER	
360	12	1615566400	BOLT-SCRAPER:M8X25, 8.8 FZB	
362	1	1202867300	HANDGRIP	
363	2	0147124603	HEX. BOLT M6X16X8.8	
364	2	0301232100	WASHER M6	
365	2	0266210800	NUT M6	
370	1	1626988683	PLATE COVER	
380	12	1615566400	BOLT-SCRAPER:M8X25, 8.8 FZB	
382	1	1202867300	HANDGRIP	
383	2	0147124603	HEX. BOLT M6X16X8.8	
384	2	0301232100	WASHER M6	
385	2	0266210800	NUT M6	

Go to Discount-Equipment.com to order your parts



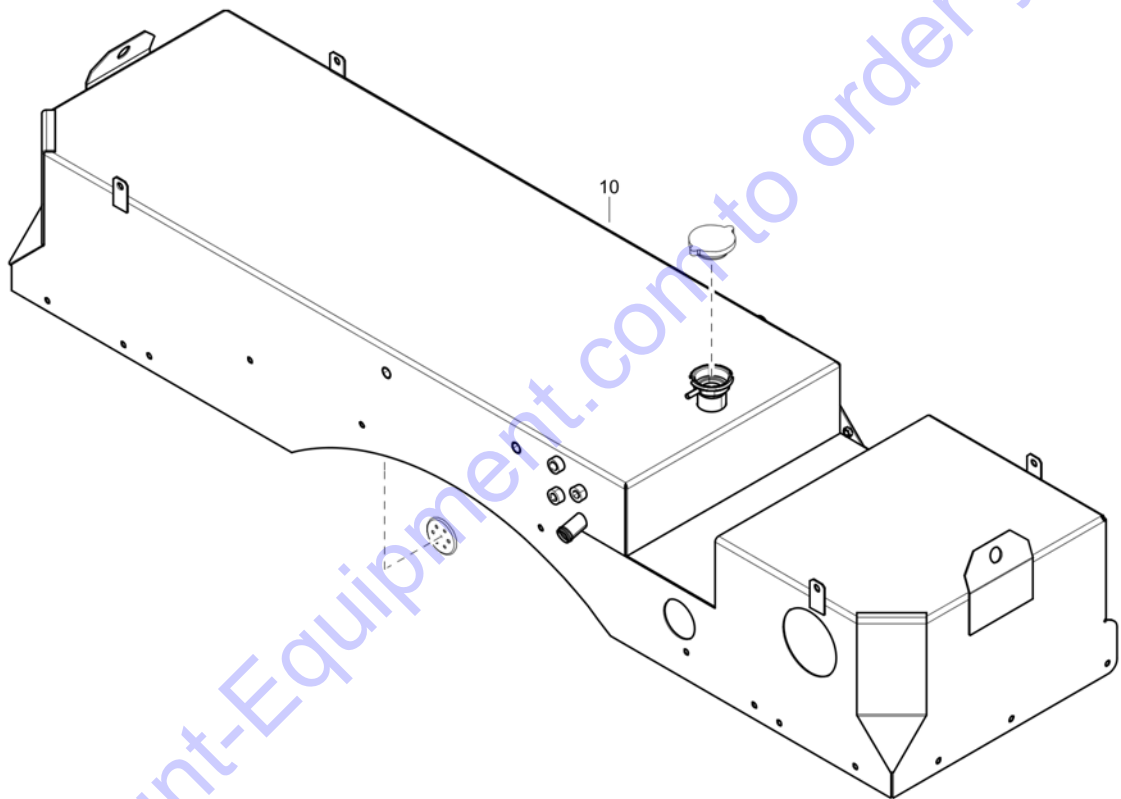
Id	Qty	Number	Name	Specifications
10	6	0147149903	BOLT	
20	6	0333520008	WASHER	
30	1	1638076700	GRATING	
40	1	1638076802	GRADE DAS POLIAS X1200/W1100	
50	6	1615566400	BOLT-SCRAPER:M8X25, 8.8 FZB	
60	1	1638021001	GRADE DAS POLIAS X1200/W1100	
70	4	1615566400	BOLT-SCRAPER:M8X25, 8.8 FZB	
80	1	1604220600	HOLDER	
90	4	1619589801	BOLT-SCRAPER:M6X20, 8.8 FZB W/	

Go to Discount-Equipment.com to order your parts



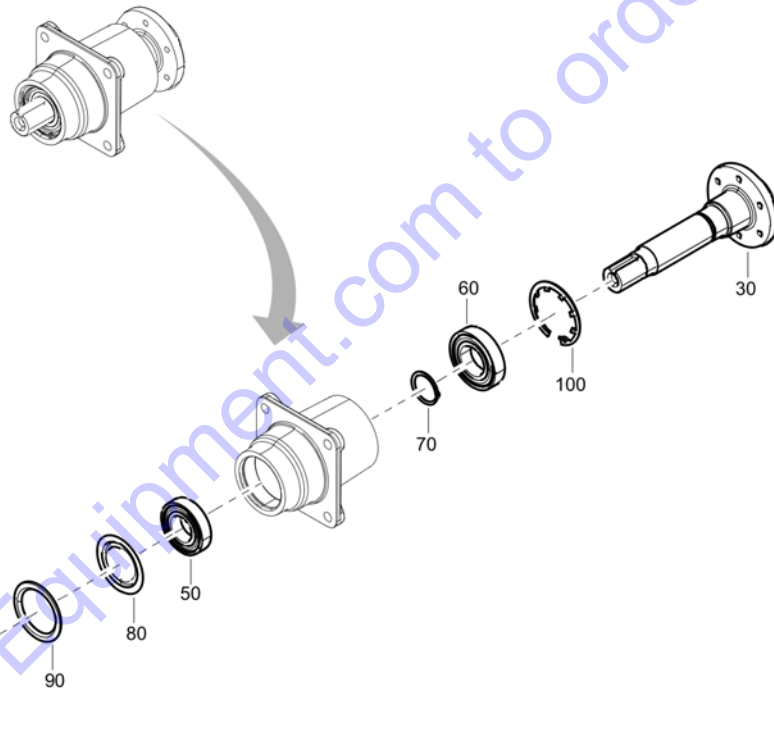
Id	Qty	Number	Name	Specifications
10	1	1626927805	SUPPORT	
15	5	0348011003	PLATE ANCHOR	
18	2	0075402570	HOSE	
20	1	1638005400	PAD ANTI VIBR.	
25	2	1619556200	SEAL	
30	1	1626961701	COOLER CHAR.AIR	
35	2	1619556200	SEAL	
40	2	0300027493	WASHER:M 10.5X30X2.5T \$STL	
50	2	0147136203	HEX. HEAD SCREW M10 X 25	
60	1	1626963202	RADIATOR	
65	2	1619556200	SEAL	
70	2	0300027493	WASHER:M 10.5X30X2.5T \$STL	
80	2	0147136203	HEX. HEAD SCREW M10 X 25	
90	1	1626963302	COOLER OIL	
95	2	1619556200	SEAL	
100	2	0300027493	WASHER:M 10.5X30X2.5T \$STL	
110	2	0147136203	HEX. HEAD SCREW M10 X 25	
120	1	1626971901	PIPE	
130	1	1626365100	HOSE	
140	2	0347611400	HOSE CLAMP	
150	4	1619276600	SCREW-SELF TAP:M 8X 20 HEX HD,	
160	1	1626981701	PIPE	
165	1	0663211430	O-RING	
170	2	0638052700	FITTING	
190	4	0211136403	HEXAGON SOCKET HEAD CAP SCREW	
200	1	1626981801	PIPE	
205	1	0663211430	O-RING	
210	2	0638052700	FITTING	
230	4	0211136403	HEXAGON SOCKET HEAD CAP SCREW	
240	2	1638053301	PLATE COVER	
250	4	1615566400	BOLT-SCRAPER:M8X25, 8.8 FZB	
260	1	1626930785	PLATE COVER	
265	1	1615545102	COVER COOLER	
270	1	1626928801	CANTO DO FAN COWL	
280	4	1619276600	SCREW-SELF TAP:M 8X 20 HEX HD,	
310	1	1626928801	CANTO DO FAN COWL	
320	4	1619276600	SCREW-SELF TAP:M 8X 20 HEX HD,	
380	6	0300027493	WASHER:M 10.5X30X2.5T \$STL	
390	6	0147136203	HEX. HEAD SCREW M10 X 25	
400	2	1089065963	SWITCH LEVEL	
460	1	1604989202	COWL FAN	
470	8	1615566400	BOLT-SCRAPER:M8X25, 8.8 FZB	
473	2	1638226200	FAN COWL FIXING PLATE	
475	10	1615566400	BOLT-SCRAPER:M8X25, 8.8 FZB	
480	1	0075402569	HOSE:3/8" PUSH-LOK	
490	1	0571002062	Nipple	

Id	Qty	Number	Name	Specifications
500	1	0571002062	Nipple	
530	1	0571002062	Nipple	
625	1	1626194081	ASSEMBLY	
670	4	0147140303	HEX. HEAD SCREW M12 X 40	
673	4	0301235800	WASHER-FLAT:M13.0/24.0X2.0T,	
680	1	1626933503	FRAME	
685	2	0147147703	HEX.BOLT M16X40-8.8	
690	2	0333520008	WASHER	
700	2	0147132603	SCREW:M 8X 30;HEX HD,ZN PLT,\$S	
701	2	0301233500	WASHER-FLAT:M 8.40/16.0X1.5T	
710	1	1626066800	FAN	
715	1	0108132000	SPRING PIN	
720	1	1615543900	RING CLAMPING	
725	6	0147136403	HEX. BOLT M10X35X8.8	
730	6	0333520013	M10 NORDLOCK WASHER	
740	1	1615603480	TENSION PULLEY ASSY	
745	1	0147141203	SCREW	
750	1	0147137703	HEX. HEAD SCREW	
755	1	1604266500	PLATE	
768	1	1615554001	LEVER	
770	1	0147110923	BOLT HEXAGON	
775	1	0266211100	HEXAGON NUT M10	
777	1	1615762200	SUPPORT	
778	2	0216195746	HEX SOCK. SCREW	
780	2	1615566400	BOLT-SCRAPER:M8X25, 8.8 FZB	
800	2	1604264301	GUARD	
810	8	1615566400	BOLT-SCRAPER:M8X25, 8.8 FZB	
850	2	0147132303	SCREW HEXAGON	
855	4	0301233500	WASHER-FLAT:M 8.40/16.0X1.5T	
860	2	0291111000	LOCK NUT M8	
870	2	1607843993	HOSE	
873	2	1079347107	HOSE CLIP	
875	2	0346100314	CLAMP	
880	1	1626119600	BRACKET	
883	1	1626026480	NIPPLE ASSY.	
885	1	1626037500	FILTER:FUEL TANK VENT S2LP	



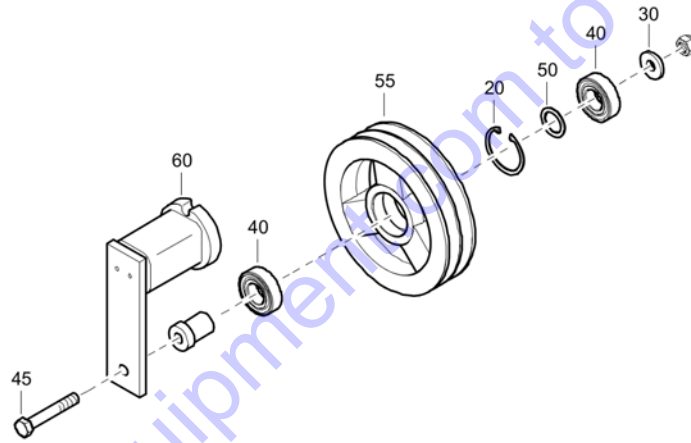
Id	Qty	Number	Name	Specifications
10	1		Plate cover	

Go to Discount-Equipment.com to order your parts



Id	Qty	Number	Name	Specifications
30	1	1626194001	SHAFT FAN	
40	1	0335215700	RING RTN INT 72MM	
50	1	0502110071	BEARING BALL	
60	1	0502224000	BALL BEARING	
70	1	0335114000	EXT.CIRCLIP	
80	1	1626578800	SPACER	
90	1	0518140012	RING SEAL	
100	1	0335210135	CIRCLIP	

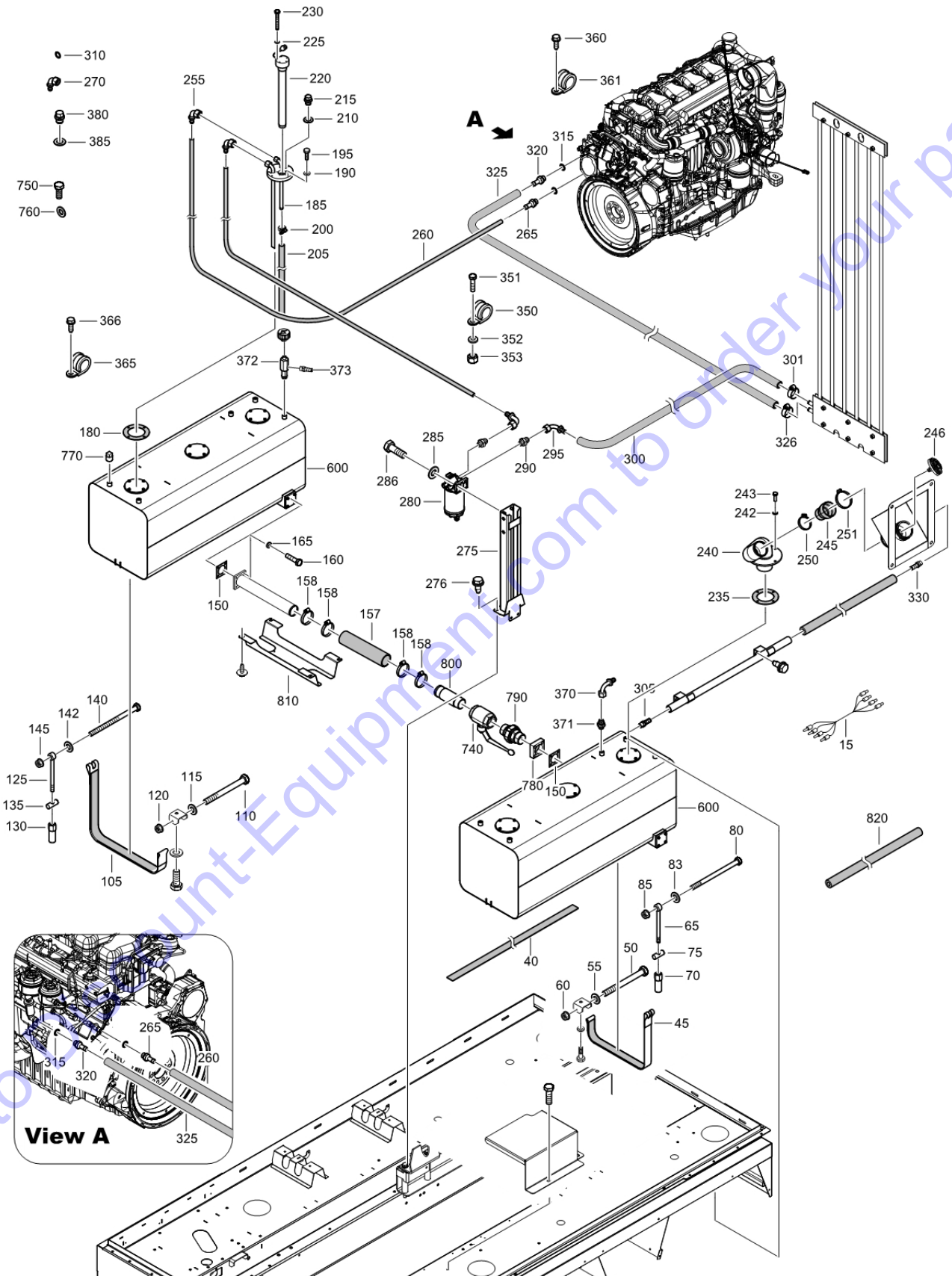
Go to Discount-Equipment.com to order your parts



Go to Discount-Equipment.com to order your parts

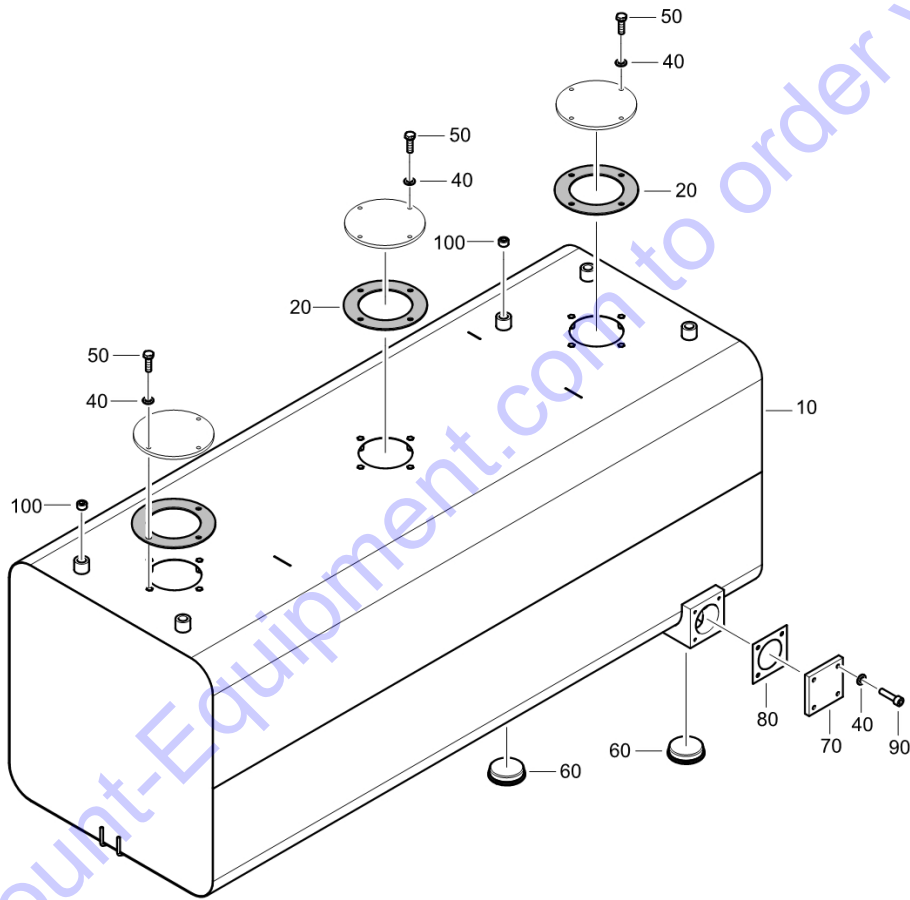
Id	Qty	Number	Name	Specifications
20	1	0335214600	CIRCLIP	
30	1	1615544700	WASHER	
40	2	0502110012	BEARING	
45	1	0147141003	HEX. HEAD SCREW	
50	1	1615544601	SPACER	
55	1	1615603400	TENSION PULLEY	
60	1	1615544300	TENSIONER	

Go to Discount-Equipment.com to order your parts



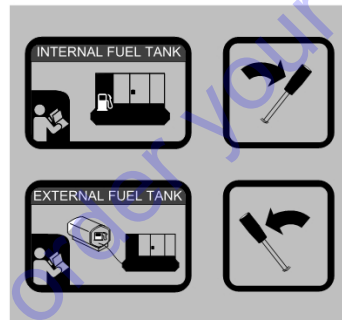
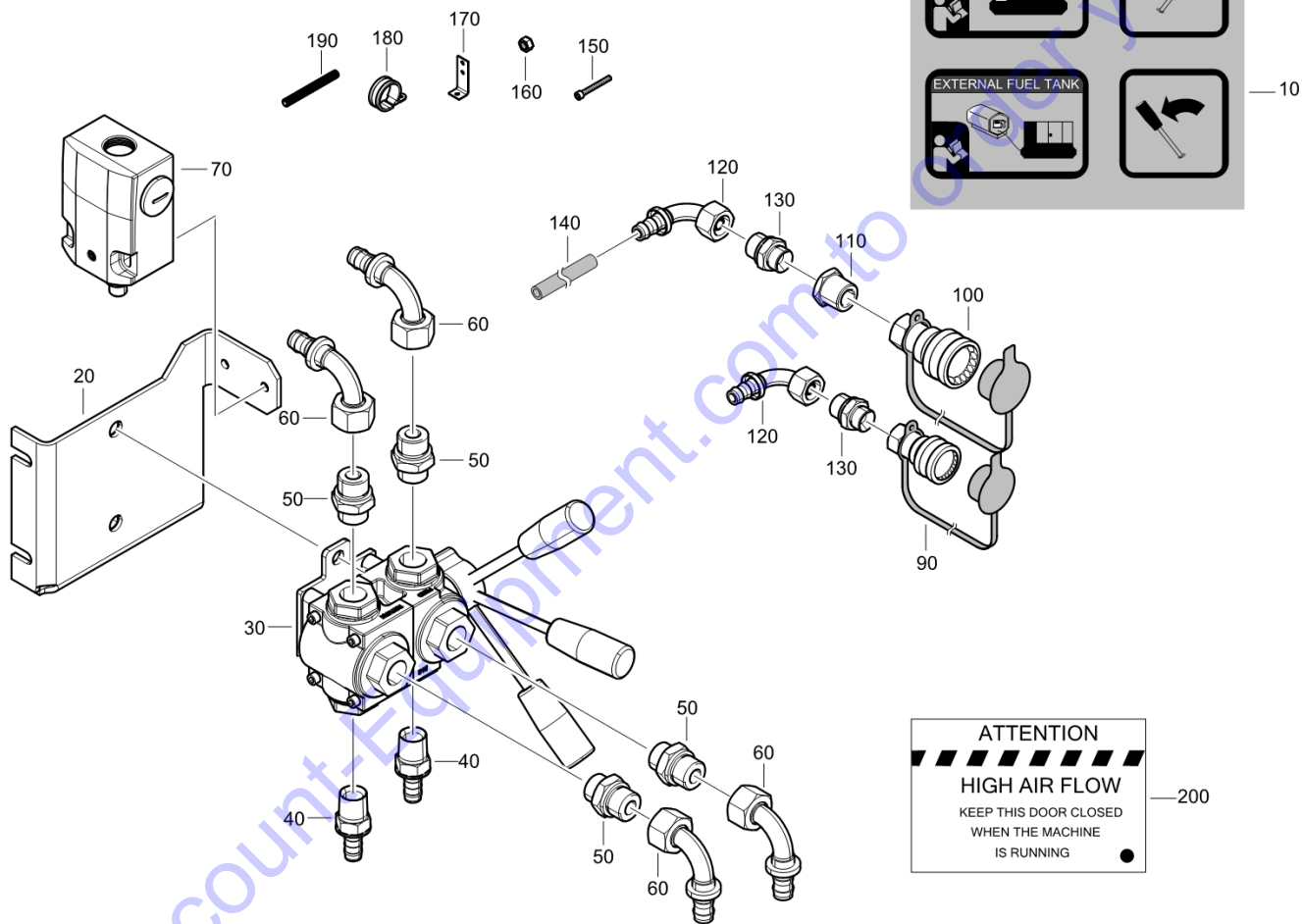
Id	Qty	Number	Name	Specifications
15	1	1604436902	WIRING	
40	3.36	1604127500	SEAL	
45	2	1638125002	SUPPORT	
50	2	0147137703	HEX. HEAD SCREW	
55	4	0301234400	WASHER-FLAT:M10.5/22.0X2.0T	
60	2	0291111100	LOCKNUT:M 10 ZN PLT,\$STL W/NYL	
65	2	0226992014	LINK SCREW	
70	2	1638125500	NUT	
75	2	1638125600	BAR ROUND	
80	2	0147134303	Hex. head screw	
83	4	0301234400	WASHER-FLAT:M10.5/22.0X2.0T	
85	2	0291111000	LOCK NUT M8	
105	2	1638125002	SUPPORT	
110	2	0147137703	HEX. HEAD SCREW	
115	4	0301234400	WASHER-FLAT:M10.5/22.0X2.0T	
120	2	0291111100	LOCKNUT:M 10 ZN PLT,\$STL W/NYL	
125	2	0226992014	LINK SCREW	
130	2	1638125500	NUT	
135	2	1638125600	BAR ROUND	
140	2	0147134303	Hex. head screw	
142	4	0301234400	WASHER-FLAT:M10.5/22.0X2.0T	
145	2	0291111000	LOCK NUT M8	
150	2	1638144200	GASKET	
157	1	1638146600	HOSE	
158	4	0347611400	HOSE CLAMP	
160	8	0147124903	HEX. BOLT M6X25X8.8	
165	8	0301232100	WASHER M6	
180	1	1604278002	GASKET	
185	1	1604439901	MANIFOLD	
190	4	0301232100	WASHER M6	
195	4	0147125003	HEX. BOLT M6X30X8.8	
200	1	0347610500	HOSE CLAMP TYPE A D=16	
205	0.56	0072840316	TUBE	
210	1	0653104600	FLAT GASKET	
215	1	0686420103	PLUG 1/8 AA	
220	1	1089065903	LEVEL SENSOR	
225	5	0301231800	PLAIN WASHER	
230	5	0147121203	HEX. BOLT M5X35X8.8	
235	1	1604278002	GASKET	
240	1	1638163400	PIPE	
242	4	0301232100	WASHER M6	
243	4	0147124703	SCREW:M 6X 20;HEX HD,ZN PLT,\$S	
245	1	1638144601	HOSE	
246	1	1615694702	CAP FUEL	
250	1	0347611400	HOSE CLAMP	
251	1	0347613100	CLAMP-HOSE:M 77/95D WORM TYPE	
255	1	0571002092	NIPPLE	

Id	Qty	Number	Name	Specifications
260	3.65	0075402570	HOSE	
265	2	1604582800	HOSE NIPPLE	
270	2	3176152200	NIPPLE	
275	1	1638063303	SUPPORT	
276	4	1619276600	SCREW-SELF TAP:M 8X 20 HEX HD,	
280	1	1615739700	FUELFILTER (WATERSEP.)	
285	2	0301234400	WASHER-FLAT:M10.5/22.0X2.0T	
286	2	0147136303	SCREW:M10X 30;HEX HD,ZN PLT,\$S	
290	1	3176152200	NIPPLE	
295	1	1604582800	HOSE NIPPLE	
300	1.5	0075402570	HOSE	
301	1	0347610400	HOSE CLAMP	
305	1	1604026901	HOSE NIPPLE	
310	1	0653110100	GASKET	
315	1	0653110100	GASKET	
320	1	1604026901	HOSE NIPPLE	
325	4.25	0075402570	HOSE	
326	1	0347610400	HOSE CLAMP	
330	1	0571002035	HOSE NIPPLE	
350	10	0346100243	PIPE CLAMP	
351	5	0147124903	HEX. BOLT M6X25X8.8	
352	10	0301232100	WASHER M6	
353	5	0266210800	NUT M6	
360	10	0346100243	PIPE CLAMP	
361	5	1619589801	BOLT-SCRAPER:M6X20, 8.8 FZB W/	
365	2	0346100243	PIPE CLAMP	
366	1	1619589801	BOLT-SCRAPER:M6X20, 8.8 FZB W/	
370	1	1604582800	HOSE NIPPLE	
371	1	3176152200	NIPPLE	
372	1	1638162901	NIPPLE HEXAGON	
373	1	0571002040	HOSE NIPPLE	
380	1	0686371630	HEXAGON PLUG	
385	1	0653110000	GASKET 17 X 21 X 1.5	
600	2	1626940184	TANK FUEL	
740	2	0852001052	BALL VALVE	
750	2	0147147703	HEX.BOLT M16X40-8.8	
760	2	0333520008	WASHER	
770	12	0686613000	PLUG	
780	2	1816015800	FLANGE	
790	2	0586100069	FITTING PIPE	
800	2	1604080001	HOSE NIPPLE	
810	1	1816011902	COVER	
820	4.25	0075402570	HOSE	



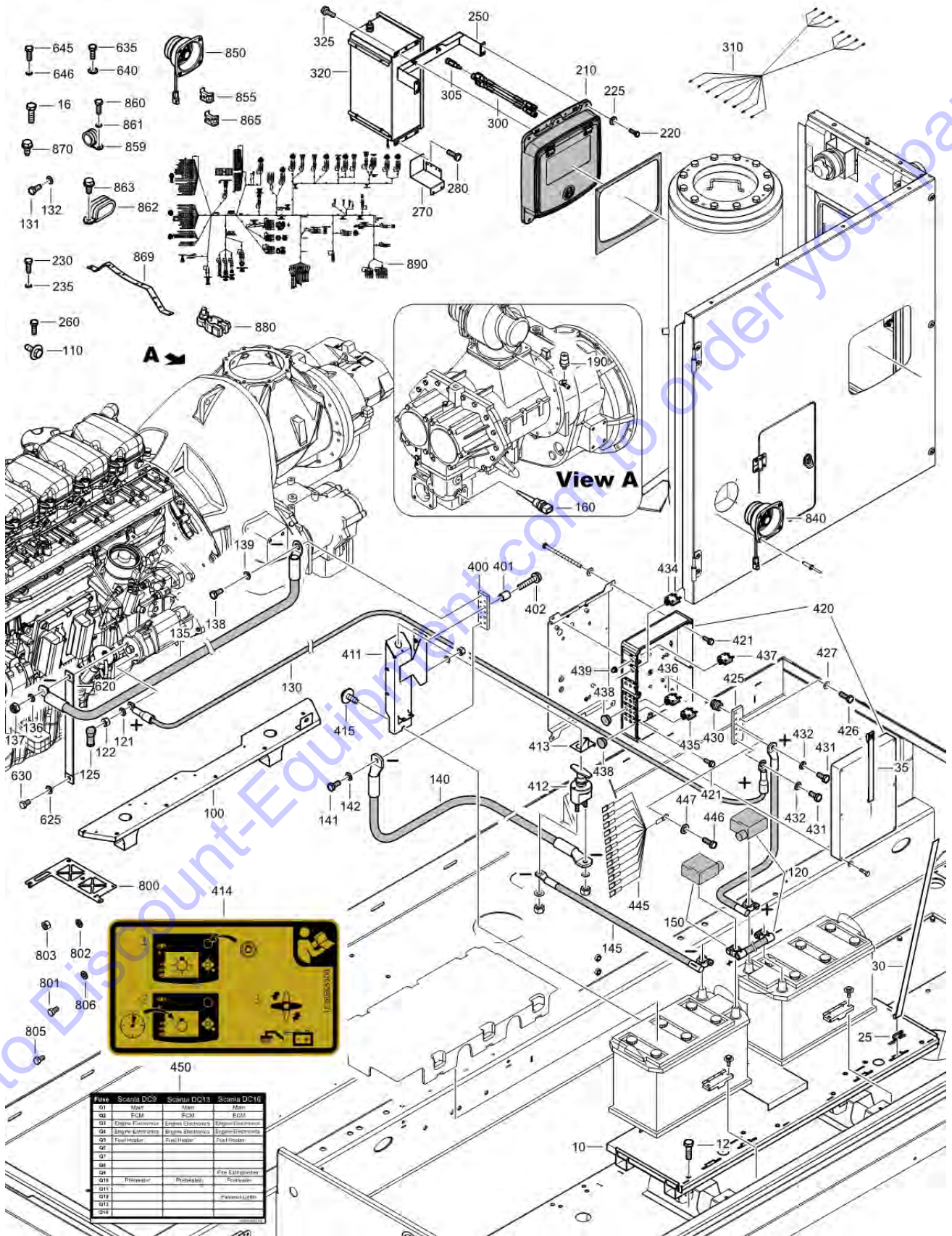
Id	Qty	Number	Name	Specifications
20	6	1604278002	GASKET	
40	40	0301232100	WASHER M6	
50	24	0147124703	SCREW:M 6X 20;HEX HD,ZN PLT,\$S	
60	4	1613265500	PLUG	
70	4	1638143000	FLANGE BLIND	
80	4	1638144200	GASKET	
90	16	0211124903	HEX SOCK. SCREW M6 X 25	
100	12	0686613000	PLUG	

Go to Discount-Equipment.com to order your parts



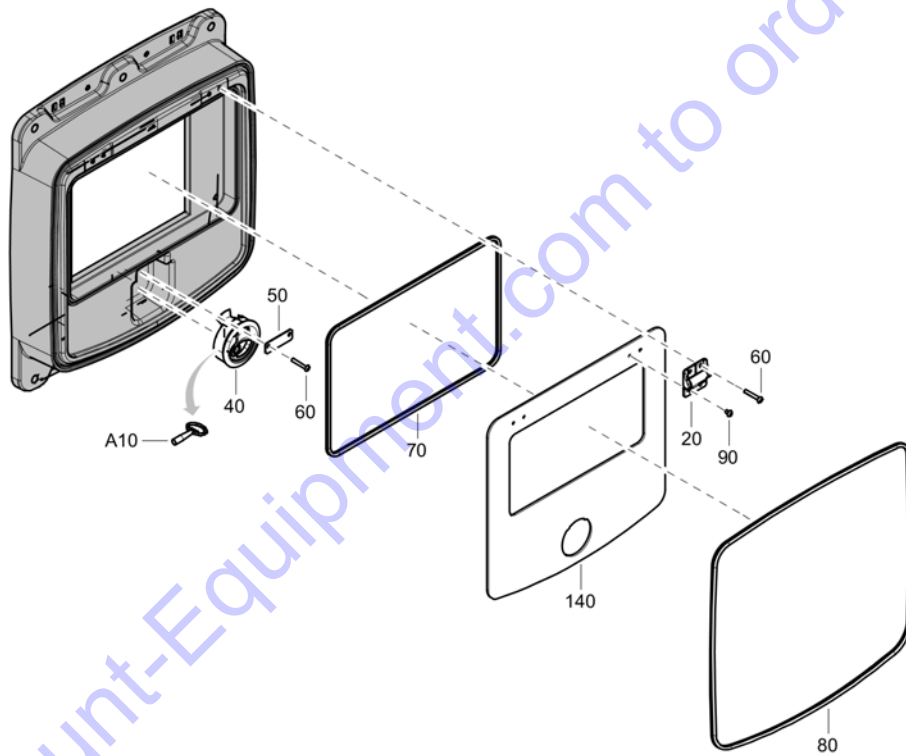
Id	Qty	Number	Name	Specifications
10	1	1079993191	DECAL INSTRUCT.	
20	1	1626188800	SUPPORT	
30	1	1604611102	VALVE	
40	2	0571002092	NIPPLE	
50	4	3176651500	NIPPLE	
60	4	1604582800	HOSE NIPPLE	
70	1	1089030412	SWITCH	
90	1	1615874401	QUICK COUPLING	
100	1	1615874501	QUICK COUPLING	
110	1	0605830050	BUSHING	
120	2	1604582800	HOSE NIPPLE	
130	2	3176651500	NIPPLE	
140	6	0075402570	HOSE	
150	2	0211121303	CAP SCREW	
160	2	0291110700	NUT	
170	6	1615561400	BRACKET	
180	35	0346100243	PIPE CLAMP	
190	0.7	0070402275	CONDUIT	
200	1	1079993179	DECAL	

Go to Discount-Equipment.com to order your parts



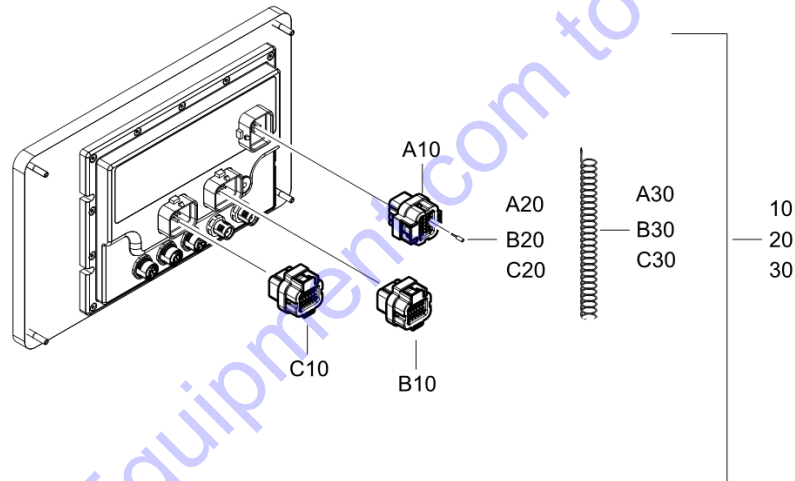
Id	Qty	Number	Name	Specifications
10	1	1638063402	SUPPORT	
12	4	0147196272	HEX. HEAD SCREW	
16	1	0147196272	HEX. HEAD SCREW	
25	8	1626360700	RETAINER	
30	4	1616461501	STRAP	
35	4	1638177401	BELT FLAT	
100	1	1638226100	WIRE GUIDE	
110	2	1615566400	BOLT-SCRAPER:M8X25, 8.8 FZB	
120	1	1638091702	CABLE BATTERY	
121	1	1088001902	CONTACT WASHER SPEC MD	
122	1	0291111100	LOCKNUT:M 10 ZN PLT,\$STL W/NYL	
125	1	1604332900	PROTECTION CAP	
130	1	1638091801	CABLE BATTERY	
131	1	0147132303	SCREW HEXAGON	
132	1	0301233500	WASHER-FLAT:M 8.40/16.0X1.5T	
135	1	1638405230	CABLE BATTERY	
136	1	1088001902	CONTACT WASHER SPEC MD	
137	1	0291111100	LOCKNUT:M 10 ZN PLT,\$STL W/NYL	
138	1	0147132303	SCREW HEXAGON	
139	1	0301233500	WASHER-FLAT:M 8.40/16.0X1.5T	
140	1	1626764500	BATTERY CABLE	
141	1	0147132303	SCREW HEXAGON	
142	1	0301233500	WASHER-FLAT:M 8.40/16.0X1.5T	
145	1	1626555806	CABLE BATTERY	
150	1	1638091901	CABLE BATTERY	
160	1	1089057470	TEMPERATURE SENSOR	
190	1	1607852288	PRESSURE SENSOR	
210	1	1638515181	CONTROL BOX ASSY:XC4004	
220	6	1619589801	BOLT-SCRAPER:M6X20, 8.8 FZB W/	
225	6	0300027435	PLAIN WASHER	
230	4	0211120703	SCREW	
235	4	0301231800	PLAIN WASHER	
250	1	1638505300	BRACKET	
260	4	1619589801	BOLT-SCRAPER:M6X20, 8.8 FZB W/	
270	1	1638505500	PLATE	
280	2	1619589801	BOLT-SCRAPER:M6X20, 8.8 FZB W/	
300	1	1638380428	CABLE COMM	
305	1	1638380427	END RESISTOR 120 OHM	
310	1	1638380400	WIRE HARNESS	
320	1	1626944888	CUBICLE	
325	3	0147124403	SCREW:M 6X 12;HEX HD,ZN PLT,\$S	
400	1	1604212101	STRIP	
401	2	0324100016	DISTANCE SLEEVE	
402	2	1619533703	SCR.BOLT M8X40 L994/L993	
411	1	1638060901	SUPPORT	
412	1	1089058401	SWITCH POWER	
413	1	1626273101	BRACKET BATTERY SWITCH	
414	1	1638565300	INSTRUCTION DECAL	

Id	Qty	Number	Name	Specifications
415	2	1615566400	BOLT-SCRAPER:M8X25, 8.8 FZB	
420	1	1626551783	BOX CABLE	
421	3	1619589801	BOLT-SCRAPER:M6X20, 8.8 FZB W/	
425	1	1604212101	STRIP	
426	2	0147132303	SCREW HEXAGON	
427	2	0301233500	WASHER-FLAT:M 8.40/16.0X1.5T	
430	2	1089938502	ISOLATOR	
431	2	0147132603	SCREW:M 8X 30;HEX HD,ZN PLT,\$S	
432	2	0301233500	WASHER-FLAT:M 8.40/16.0X1.5T	
434	2	1607852238	CIRCUIT BREAKER	
435	4	1607852242	CIRCUIT BREAKER	
436	2	1607852245	FUSE 15A MAIN	
437	2	1607852247	CIRCUIT BREAKER	
438	5	0686909905	PLUG	
439	10	1607852283	CAP	
445	1	1626552400	WIRING	
446	1	0147132303	SCREW HEXAGON	
447	1	0301233500	WASHER-FLAT:M 8.40/16.0X1.5T	
450	1	1638093106	DECAL	
620	1	1607852223	CABLE	
625	1	1088001902	CONTACT WASHER SPEC MD	
630	1	0147136203	HEX. HEAD SCREW M10 X 25	
635	1	0147132303	SCREW HEXAGON	
640	1	1088001901	CONTACT WASHER	
645	2	0147132303	SCREW HEXAGON	
646	2	0301233500	WASHER-FLAT:M 8.40/16.0X1.5T	
800	1	1816059000	BRACKET	
801	2	0211124603	HEX. SOCK M6X16X8.8	
802	2	0301231500	WASHER:M 4.3X9X0.80T \$STL ZINC	
803	2	0266210600	HEXAGON NUT M4	
805	3	0147117103	Hexagon bolt	
806	3	0301232100	WASHER M6	
840	1	1607863440	SWITCH	
850	1	1607863440	SWITCH	
855	31	0348011003	PLATE ANCHOR	
859	1	0346100210	CLAMP	
860	1	0147132303	SCREW HEXAGON	
861	1	0301233500	WASHER-FLAT:M 8.40/16.0X1.5T	
862	2	0346100241	CLAMP	
863	2	1619276600	SCREW-SELF TAP:M 8X 20 HEX HD,	
865	4	0348011003	PLATE ANCHOR	
869	1	1626311303	CABLE GUIDE	
870	2	1619276600	SCREW-SELF TAP:M 8X 20 HEX HD,	
880	1	1626651911	BATTERY TERMINAL	
890	1	1626843811	WIRE HARNESS	



Id	Qty	Number	Name	Specifications
20	2	1626835800	HINGE	
40	1	1626835700	Lock	
A10	1	1626984100	KEY LOCK	
50	1	1638515900	PLATE	
60	6	0215001111	SCREW HEXAGON	
70	1	1638516100	SEAL	
80	1	1638516300	SEAL	
90	4	0215001110	SCREW HEXAGON	
140	1	1638526481	COVER	

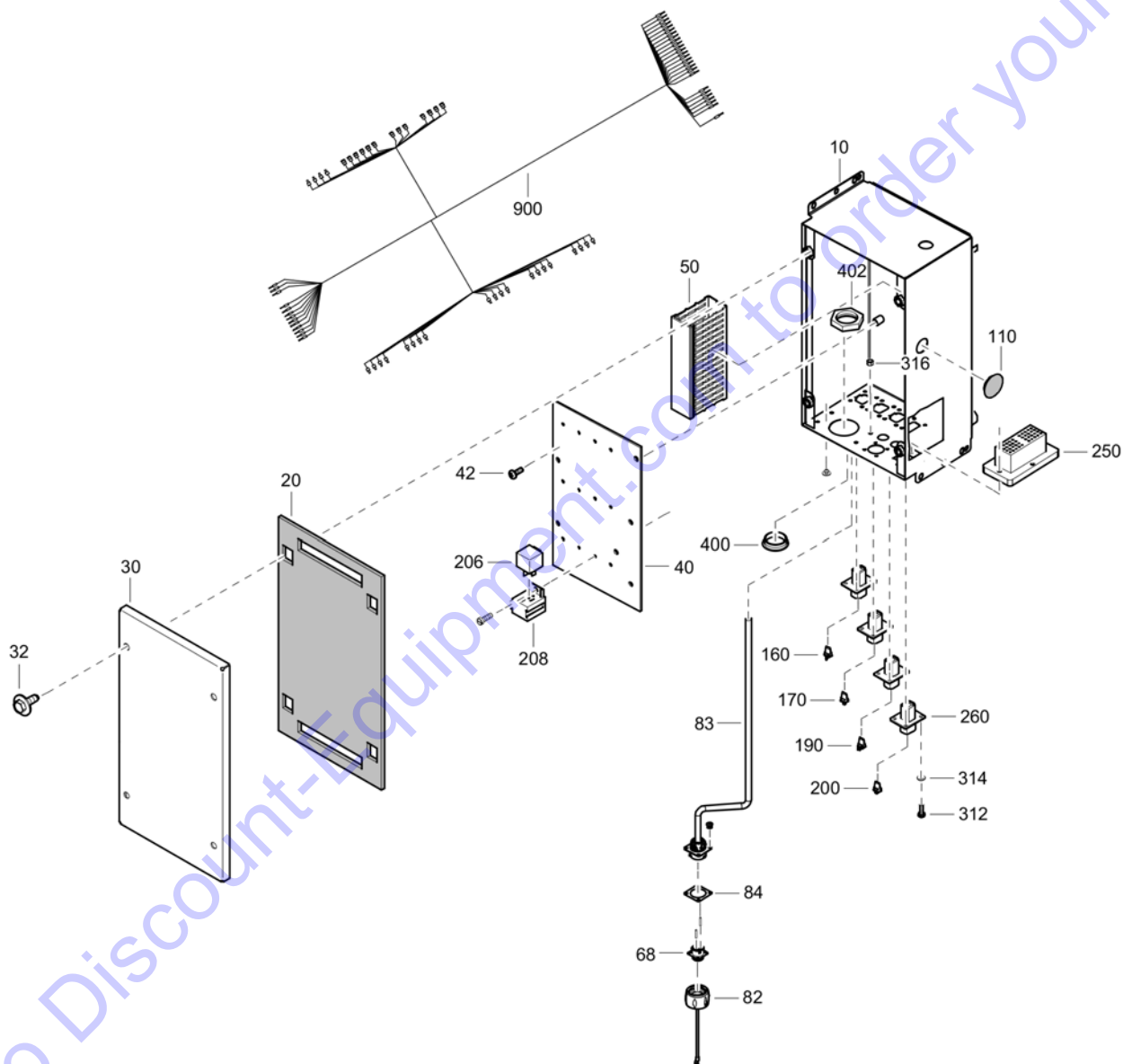
Go to Discount-Equipment.com to order your parts



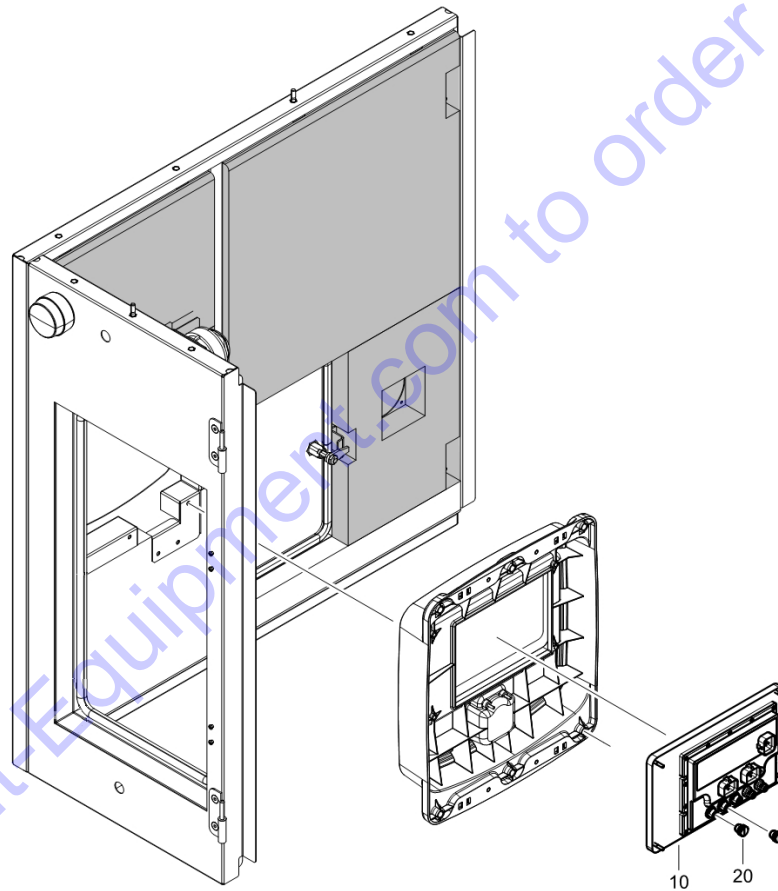
Go to Discount-Equipment.com to order your parts

Id	Qty	Number	Name	Specifications
10	1	2913000240	KIT XC4004/2003 CONNECT X10/X1	
A10	1	1638380438	X10/X1 CONNECTOR HOUSING	
A10	1			
A20	26	2913000034	CONNECTING WIRES	
A20	26			
A30	26	1636021120	BLIND PLUG	
A30	26			
20	1	2913000241	KIT XC4004/2003 CONNECT X11/X2	
B10	1	1638380439	X11 / X2 CONNECTOR HOUSING	
B20	26	2913000034	CONNECTING WIRES	
B10	1			
B20	26			
B30	26	1636021120	BLIND PLUG	
B30	26			
30	1	2913000242	KIT XC4004 CONNECTOR X12 PARTS	
C10	1	1638380440	X12 CONNECTOR HOUSING	
C10	1		X12 CONNECTOR HOUSING	
C20	26	2913000034	CONNECTING WIRES	
C20	26		CONNECTING WIRES	
C30	26	1636021120	BLIND PLUG	
C30	26		BLIND PLUG	

Go to Discount-Equipment.com to order your parts

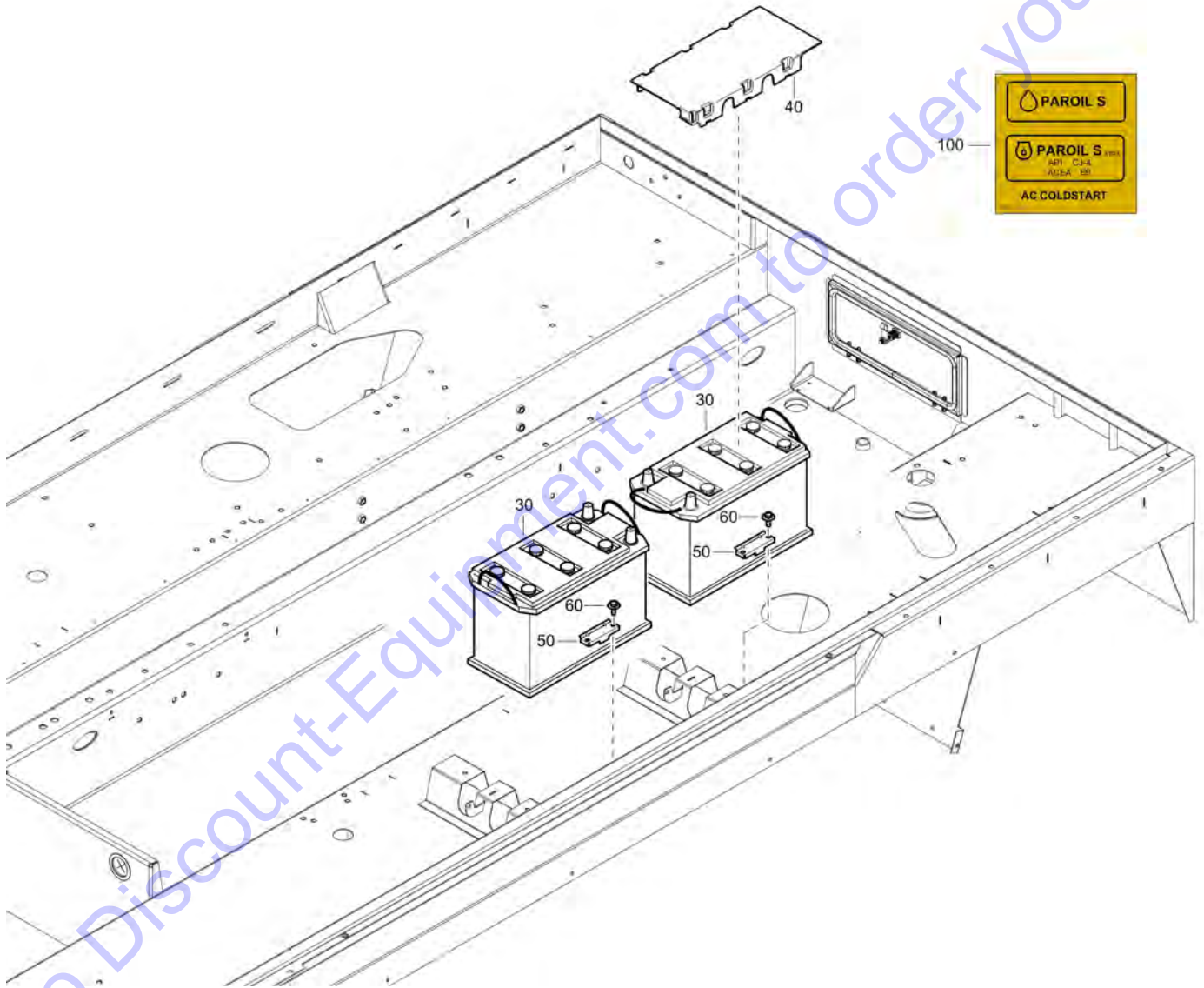


Id	Qty	Number	Name	Specifications
10	1	1626537906	Box junction	
20	1	1604740501	SEAL	
30	1	1604720401	COVER	
32	4	1615566400	BOLT-SCRAPER:M8X25, 8.8 FZB	
40	1	1626534706	PLATE BACK	
42	8	0226035009	SCREW	
50	1	0991801006	Raceway	
68	1	1607864805	CONNECTOR	
82	1	1607864802	CAP	
83	1	1607864811	Cable	
84	1	1607864801	GASKET	
110	1	0686925269	PLUG	
160	1	1607858300	Secondary lock	
170	1	1607858400	SECONDARY LOCK	
190	1	1607858500	SECONDARY LOCK	
200	1	1607858600	SECONDARY LOCK	
206	4	1626767800	Relay auxiliary	
208	4	1626944830	SOCKET	
250	1	1626944831	Connector	
260	4	1089945727	CONNECTOR	
312	16	0147117103	Hexagon bolt	
314	32	0301231500	WASHER:M 4.3X9X0.80T \$STL ZINC	
316	16	0266210600	HEXAGON NUT M4	
400	1	0697981029	Plug	
402	1	0697980924	LOCK NUT	
900	1	1626944808	WIRE HARNESS	



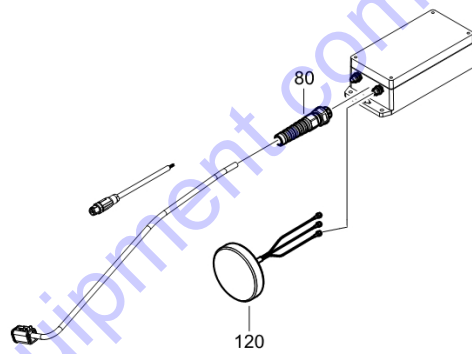
Id	Qty	Number	Name	Specifications
10	1	1638313501	CONTROLLER	
20	1	1638380435	PROTECTION CAP	

Go to Discount-Equipment.com to order your parts



Id	Qty	Number	Name	Specifications
30	2	0975830018	BATTERY, 12VDC (200AH)	
40	1	1604015602	COVER BATTERY	
50	2	1638169900	PLATE ANCHOR	
60	4	0147196272	HEX. HEAD SCREW	
100	1	1638513900	DECAL SYMBOLS	

Go to Discount-Equipment.com to order your parts



Go to Discount-Equipment.com to order your parts

Id	Qty	Number	Name	Specifications
120	1	1638911500	ANTENNA	
80	1	0698514442	CABLE GLAND	

Go to Discount-Equipment.com to order your parts

Part no	Part no	Part no	Part no	Part no	Part no
	1638313501		1638313501		1638313501
	1638313501		1638313501		1638313501
	2914900175		2912472800		2912472900
	2911016400		2911016400		2912472900
	2911016400		2912472900		2911016400
	Compressor_oil_Geno		2911016400		2912472900
	2911016400		2911016400		2912472900
	2911016400		2911016400		2911016400
	2912472900		2911016400		2911016400
	2912472900		2911016800		2911016800
	1626902182		2911016800		2912472800
	2911016800		2911016800		2911016800
	2911016800		2911016800		2911016800
	2912472800		2912472800		2912472800
	2911016400		2911016400		2911016400
	2912472900		2912472800		1626930785
	2912472900		2912472900		2912472900
	1638313501		1638313501		1638313501
	2912472900		2912472900	0070402275	1611772467
0070600205	1611043367	0071840290	1611061367_07W	0072840316	1611772267
0075400557	1611770667	0075402536	1611772967	0075402569	1611061567_03W
0075402569	1611773067	0075402570	1611772267	0075402570	1611772267
0075402570	1611772267	0075402570	1611772467	0075402570	1611772267
0075402570	1611773067	0075402579	1611771467	0075402579	1611771467
0101162600	1611816167	0108132000	1611773067	0147110923	1611773067
0147117103	1611771567	0147117103	1626944888	0147121203	1611772267
0147124403	1611771567	0147124403	1638724100	0147124603	1611061567_03W
0147124603	1611041767	0147124603	1611061567_03W	0147124703	1626940184
0147124703	1611772267	0147124703	1611061367_07W	0147124703	1611043367
0147124703	1611061367_07W	0147124703	1611061367_07W	0147124903	1611772267
0147124903	1638098881	0147124903	1611770767	0147124903	1611772267
0147124903	1638724100	0147124903	1611770767	0147125003	1611772267
0147125003	1626982581	0147125212	1611043367	0147132203	1611043367
0147132203	1611860167	0147132203	1611061267	0147132303	1611771567
0147132303	1611771567	0147132303	1611773067	0147132303	1611771567
0147132303	1611061367_07W	0147132303	1611771367	0147132303	1611771567
0147132303	1611771567	0147132303	1611771567	0147132303	1611771567
0147132303	1611771567	0147132503	1611043367	0147132503	1611061367_07W
0147132503	1638561082	0147132603	1611771567	0147132603	1611773067
0147132603	1611771367	0147132603	1611771367	0147132603	1611771367
0147132603	1611771367	0147132703	1638940880	0147134303	1611772267
0147134303	1611772267	0147134603	1611772667	0147134603	1611772667
0147135903	1611772367	0147135903	1611772367	0147135903	1611772367
0147136003	1611050767	0147136003	1611702993	0147136003	1611050767
0147136203	1611772367	0147136203	1611772367	0147136203	1611773067
0147136203	1611772367	0147136203	1611773067	0147136203	1611773067
0147136203	1611771567	0147136203	1611773067	0147136303	1611770767
0147136303	1611772267	0147136303	1611770667	0147136403	1611816167
0147136403	1611060567	0147136403	1611773067	0147137703	1611772267
0147137703	1611772267	0147137703	1611773067	0147140003	1611772967
0147140003	1611770667	0147140103	1611061367_07W	0147140103	1611771267
0147140103	1611771267	0147140103	1611771267	0147140203	1611771367
0147140203	1611771367	0147140203	1611771367	0147140303	1611772367
0147140303	1611772367	0147140303	1611773067	0147140303	1611772367
0147140403	1611772967	0147140503	1611816167	0147141003	1615603480
0147141203	1611773067	0147141303	1611043767	0147141703	1611043767
0147147503	1611770667	0147147703	1611772267	0147147703	1611060567
0147147703	1611773067	0147147703	1611772167	0147147703	1611046667
0147147803	1626975091	0147147903	1611060367	0147148503	1611771067
0147148503	1611772967	0147149403	1611771267	0147149503	1611060367
0147149903	1611041867	0147196272	1611771567	0147196272	1611050767

Part no	Part no	Part no	Part no	Part no	Part no
0147196272	1611061367_07W	0147196272	1611771567	0147196272	1611050767
0147196272	1611702993	0147196272	1611061567_03W	0147196272	1611066467
0147196459	1611772967	0211110546	1611772367	0211110609	1611772367
0211110610	1611772367	0211117403	1611720279	0211120403	1626555281
0211120703	1611771567	0211121303	1611772467	0211124603	1611771567
0211124603	1611771467	0211124603	1611771467	0211124903	1626940184
0211136403	1611773067	0211136403	1611773067	0211140100	1611770767
0211140203	1611060567	0211140400	1611816167	0211140800	1611816167
0211147903	1611772367	0215001110	1638515181	0215001111	1638515181
0216110076	1638077583	0216132403	1611772867	0216132403	1611772867
0216132403	1611772867	0216132403	1626982581	0216132403	1611772867
0216132403	1611062067	0216132403	1611772767	0216195746	1611773067
0226035009	1626944888	0226992014	1611772267	0226992014	1611772267
0246124204	1611771367	0246128704	1611770667	0246128704	1611771367
0246195629	1626975091	0246195635	1626892784	0246195635	1638134683
0246195635	1638077583	0246195635	1626892784	0261109117	1611772367
0266210600	1626944888	0266210600	1611771567	0266210800	1626982581
0266210800	1611770767	0266210800	1611043367	0266210800	1611061367_07W
0266210800	1611061567_03W	0266210800	1611043367	0266210800	1611772267
0266210800	1611770767	0266210800	1611061567_03W	0266210800	1638724100
0266210800	1611061367_07W	0266211000	1611043367	0266211000	1611772667
0266211000	1611061367_07W	0266211000	1611772667	0266211000	1611772667
0266211000	1611772867	0266211000	1611772867	0266211000	1611772667
0266211000	1611772867	0266211000	1611772667	0266211000	1611771367
0266211000	1611772867	0266211100	1611771367	0266211100	1611773067
0266211100	1611772367	0266211200	1611772167	0266211200	1611772367
0266211200	1638098881	0266211200	1611771367	0266211200	1611770667
0291110700	2914900180	0291110700	1611772467	0291111000	1611772267
0291111000	1611773067	0291111000	1611061267	0291111000	1611772267
0291111100	1611772267	0291111100	1611770667	0291111100	1611772267
0291111100	1611771567	0291111100	2914900180	0291111100	1611771567
0300027435	1611771567	0300027470	1626986782	0300027493	1611773067
0300027493	1611773067	0300027493	1611773067	0300027493	1611773067
0300027537	2914900180	0300027622	1611061367_07W	0300027623	1611771267
0300801900	1611061367_07W	0300801900	1611771367	0300801900	1611061367_07W
0301231500	1611771567	0301231500	1611720279	0301231500	1626944888
0301231800	1611771567	0301231800	1611772267	0301232100	1611772267
0301232100	1638098881	0301232100	1611061367_07W	0301232100	1611770767
0301232100	1611772267	0301232100	1611770767	0301232100	1611771567
0301232100	1626982581	0301232100	1611043367	0301232100	1611770667
0301232100	1611061567_03W	0301232100	1626940184	0301232100	1611061567_03W
0301232100	1611061367_07W	0301232100	1611772267	0301232100	1611772267
0301233500	1611772867	0301233500	1611061267	0301233500	1611043367
0301233500	1638561082	0301233500	1611773067	0301233500	1611772867
0301233500	1611772867	0301233500	1611772867	0301233500	1611043367
0301233500	1611771567	0301233500	1638940880	0301233500	1611771567
0301233500	1611771567	0301233500	1611773067	0301233500	1611771567
0301233500	1611771567	0301233500	1611771567	0301233500	1611772667
0301233500	1611772667	0301233500	1611771567	0301233500	1611772667
0301233500	1611772667	0301233500	1611771567	0301233500	1611772667
0301233500	1611772667	0301233500	1611772667	0301234400	1611772267
0301234400	1611772267	0301234400	1611772367	0301234400	1611702993
0301234400	1611772367	0301234400	1611770767	0301234400	1611772367
0301234400	1611772367	0301234400	1611772267	0301234400	1611772367
0301234400	1611050767	0301234400	1611050767	0301234400	1611772267
0301234400	1611772267	0301235800	1611773067	0301235800	1611772367
0301235800	1611772367	0301235800	1611772967	0301235800	1611061567_03W
0301235800	1611061367_07W	0301235800	1611772367	0301237100	1611772967
0302127404	1611772367	0303127401	1611771467	0303127401	1626893286
0324100016	1611771567	0324100016	1611061567_03W	0333322000	1611043367
0333322700	1611860167	0333520008	1611041867	0333520008	1611773067
0333520008	1611046667	0333520008	1611060367	0333520008	1611060367

Part no	Part no	Part no	Part no	Part no	Part no
0333520008	1611772267	0333520008	1611770667	0333520008	1611772167
0333520009	1611771267	0333520009	1611770667	0333520009	1611771267
0333520009	1611771267	0333520009	1611772167	0333520009	1611770667
0333520009	1611771367	0333520009	1611771367	0333520009	1611771367
0333520009	1611771367	0333520013	1611773067	0333520015	1611771367
0333520015	1611771367	0333520015	1611771367	0333520015	1611771367
0335111200	1638077583	0335114000	1626194081	0335210135	1626194081
0335214500	1626333885	0335214600	1615603480	0335215700	1626194081
0335216000	1611816167	0337530500	1611771067	0337815800	1611772967
0337835000	1611816167	0346100205	1611061367_07W	0346100209	1611061367_07W
0346100210	1611771467	0346100210	1611043367	0346100210	1638724100
0346100210	1611043367	0346100210	1611771567	0346100210	1611043367
0346100210	1611043367	0346100241	1611771567	0346100243	1611772267
0346100243	1611772467	0346100243	1611043367	0346100243	1611772267
0346100243	1611772267	0346100314	1611061567_03W	0346100314	1611773067
0346101414	1611043367	0346290027	1611061567_03W	0346300110	1611061367_07W
0347610023	1611061567_03W	0347610023	1611061567_03W	0347610400	1611772267
0347610400	1611061367_07W	0347610400	1611772267	0347610500	1611061367_07W
0347610500	1611772267	0347610800	1638724100	0347611000	1611772967
0347611400	1611772267	0347611400	1611061567_03W	0347611400	1611061567_03W
0347611400	1611772267	0347611400	1611061567_03W	0347611400	1611773067
0347612100	1611061267	0347612100	1611061267	0347612100	1611061267
0347612200	1611770767	0347613100	1611772267	0348011003	1611771567
0348011003	1611061367_07W	0348011003	1611771567	0348011003	1611061367_07W
0348011003	1611061367_07W	0348011003	1611773067	0367019104	1611772967
0371110021	1611770667	0372410008	1611770667	0384500029	1638092782
0384500029	1626555281	0384500044	1626169581	0502110012	1615603480
0502110071	1626194081	0502224000	1626194081	0506010008	1611816167
0508115801	1611816167	0517142000	1638098881	0518140012	1626194081
0560020023	1611772367	0560020050	1611771967	0560440165	1611702993
0560440165	1611050767	0560440165	1611050767	0560441105	1611702993
0560441105	1611050767	0560441105	1611050767	0560441105	1611050767
0560441105	1611050767	0560441105	1611050767	0560441105	1611702993
0560441105	1611050767	0560441105	1611702993	0571002015	1611061367_07W
0571002035	1611772267	0571002036	1611771467	0571002040	1611772267
0571002055	1611043367	0571002062	1611773067	0571002062	1611773067
0571002062	1611773067	0571002092	1611772267	0571002092	1611772467
0571003529	1611061367_07W	0571003697	1611050767	0571003697	1611050767
0571003697	1611702993	0571010006	1611772367	0574800304	1611050767
0574800304	1611702993	0574800304	1611050767	0574800306	1611702993
0574800306	1611050767	0574800306	1611050767	0574800308	1611702993
0574800308	1611050767	0574800308	1611050767	0574800309	1611050767
0574800309	1611050767	0574800309	1611702993	0574800314	1611050767
0574800314	1611050767	0575079149	1611771367	0581002801	1611050767
0581002801	1611050767	0581002801	1611050767	0581002801	1611050767
0581002801	1611050767	0581002801	1611050767	0581002801	1611050767
0581002801	1611050767	0581122804	1611702993	0581122804	1611050767
0581122804	1611050767	0581122804	1611050767	0581122804	1611050767
0581122804	1611050767	0581122804	1611050767	0581122804	1611050767
0581122804	1611050767	0581122804	1611702993	0581122804	1611702993
0581122804	1611702993	0581202536	1611702993	0581202536	1611050767
0581202536	1611050767	0583812221	1611702993	0583812221	1611702993
0583812221	1611702993	0583812221	1611702993	0586100069	1611772267
0586100804	1611771967	0603420010	1611702993	0603420010	1611702993
0603420010	1638561082	0603420011	1611772367	0603420038	1611772367
0605830050	1611772467	0606000033	1611772367	0606000033	1611772367
0606000039	1638561082	0623210009	1611771967	0627510023	1611771467
0627510023	1611771467	0634100059	1611772367	0634100059	1611772367
0634100059	1611772367	0634100059	1611772367	0634100059	1611772367
0634100105	1611770667	0634100150	1611772367	0634100150	1611772367
0634100150	1611772367	0634100150	1611772367	0634100150	1611772367
0634100150	1611772367	0634100150	1611772367	0634100150	1611772367

Part no	Part no	Part no	Part no	Part no	Part no
0638052700	1611773067	0638052700	1611773067	0653050021	1611771467
0653050021	1611771467	0653104300	1611050767	0653104300	1611050767
0653104300	1611702993	0653104600	1611772267	0653106200	1611050767
0653106200	1611050767	0653106200	1611050767	0653106200	1611050767
0653106200	1611050767	0653106200	1611050767	0653106200	1611050767
0653106200	1611702993	0653106200	1611702993	0653106200	1611702993
0653106200	1611702993	0653106200	1611702993	0653106200	1611772367
0653106200	1611702993	0653106200	1611771367	0653106200	1611771367
0653106200	1611050767	0653106200	1611050767	0653106200	1611043767
0653106200	1611702993	0653106200	1611050767	0653106200	1611050767
0653106200	1611050767	0653106200	1611050767	0653106200	1611050767
0653106200	1611050767	0653106200	1611050767	0653106200	1611702993
0653107000	1638561082	0653110000	1626333885	0653110000	1611772267
0653110000	1611772367	0653110100	1611772267	0653110100	1611772267
0653111300	1611043367	0653112400	1611771467	0653112400	1611771467
0653112400	1611050767	0653112400	1611772367	0653112400	1611050767
0653112400	1611772367	0653112400	1611050767	0653112400	1626975091
0653112400	1611702993	0653112400	1611771467	0653112400	1611771467
0653112400	1638561082	0653112400	1611772367	0653112400	1611771467
0653112400	1611702993	0653112400	1611050767	0653112400	1611771367
0653114800	1611771467	0653116200	1611061267	0653116500	1611771467
0653116500	1611771467	0653116500	1611771467	0653116500	1611771467
0653116500	1611771467	0653116500	1611771467	0653116500	1611771467
0653122700	1638561082	0653122700	1626975091	0661100030	1611771967
0661101400	1611061267	0661103300	1611772367	0661103300	1626975091
0661104900	1611772367	0661106200	1626333885	0663210319	1611770767
0663210561	1638098881	0663210746	1611772367	0663210801	2914900180
0663210930	1626169581	0663210956	2914900180	0663210971	1611770767
0663211116	1626975091	0663211116	2911000153_00	0663211127	2914900180
0663211317	1626555281	0663211407	1611816167	0663211430	1611773067
0663211430	1611773067	0663211431	1611771367	0663211431	1611771367
0663211431	1611771367	0663213300	2914900180	0663311600	1611043767
0663312000	1638092782	0663312000	1611043767	0663312000	1626555281
0663312400	1611770767	0663313200	1638098881	0663315300	1611043767
0663711200	1638098881	0663713500	1611771367	0663713500	1611771367
0663713500	1611771367	0663713500	1611771367	0663713500	1611771367
0663714100	1611772367	0663714100	1611772367	0663714200	1611043767
0663714400	1611770667	0663715400	1611816167	0663986800	1611771367
0686260600	1638940880	0686371601	1611043767	0686371602	1626975091
0686371610	1626333885	0686371630	1611772267	0686371635	1611771467
0686420103	1611772267	0686423100	1611061267	0686613000	1611772267
0686613000	1626940184	0686644800	1611771467	0686644800	1611771467
0686909905	1611771567	0686925269	1626944888	0686925269	1611067967
0686925275	1611772867	0686925287	1626892986	0686925287	1626893286
0686925287	1638134683	0686925313	1611772867	0686925313	1611772867
0686925313	1611772867	0686925313	1611772867	0686925313	1611772167
0686925339	1626902382	0686925341	1611772167	0690911003	1611771867
0690911003	1611771867	0697980924	1626944888	0697981029	1626944888
0698514442	1638971300	0803501008	1611772367	0852001052	1611772267
0975830018	1611066467	0991801006	1626944888	1079347107	1611773067
1079347111	1611770667	1079584015	1611771467	1079584015	1611771467
1079584015	1611771467	1079584019	1611771367	1079584029	1611771467
1079584029	1611771467	1079584029	1611771467	1079584029	1611771467
1079584029	1611771467	1079584029	1611771467	1079584035	1611050767
1079584035	1611050767	1079584035	1611050767	1079584035	1611050767
1079900508	1611050767	1079900508	1611702993	1079900508	1611702993
1079900508	1611702993	1079900508	1611050767	1079900508	1611050767
1079900508	1611050767	1079900508	1611050767	1079900508	1611050767
1079900508	1611050767	1079900508	1611702993	1079900508	1611050767
1079990239	1611771867	1079990249	1611771867	1079990255	1611771867
1079990255	1611043367	1079990255	1611771867	1079990255	1611771867
1079990360	1611046667	1079990360	1611772167	1079991488	1611771467

Part no	Part no	Part no	Part no	Part no	Part no
1079992207	1611771867	1079992208	1611771467	1079993139	1611772967
1079993163	1611772367	1079993179	1611772467	1079993186	1611702622
1079993191	1611772467	1079993278	1611771867	1088001901	1611771567
1088001902	1611771567	1088001902	1611771567	1088001902	1611771567
1088080310	1611771467	1089026327	1611702993	1089026327	1611050767
1089026327	1611050767	1089030412	1611772467	1089045107	1611050767
1089045107	1611050767	1089045107	1611050767	1089045107	1611702993
1089045107	1611702993	1089045107	1611050767	1089057470	1626892986
1089057470	1611771567	1089057470	1611771967	1089058401	1611771567
1089060708	1611061267	1089065903	1611772267	1089065963	1611773067
1089938502	1611771567	1089945711	1611059667	1089945711	1611041667
1089945727	1626944888	1092035897	2914900178	1202586901	1611041767
1202658400	1626893184	1202658400	1626893082	1202658400	1626893082
1202867300	1611061567_03W	1202867300	1611061567_03W	1503105600	1611772167
1503105600	1611772167	1604012800	1611061267	1604012800	1611061267
1604015602	1611066467	1604022000	1611771467	1604022600	1626982581
1604026901	1611772267	1604026901	1611772267	1604080001	1611772267
1604080085	1611770667	1604080085	2911000153_00	1604127500	1611772267
1604135603	1611061567_03W	1604135603	1611061567_03W	1604199100	1611771467
1604199100	1611771467	1604212101	1611771567	1604212101	1611771567
1604220600	1611041867	1604235600	1611061267	1604250000	1611772667
1604251901	1626954084	1604251901	1626902382	1604251901	1626901583
1604251901	1626902282	1604251901	1626953984	1604251901	1626964583
1604251901	1626953994	1604264301	1611773067	1604266500	1611773067
1604275802	1611061267	1604278002	1626940184	1604278002	1611772267
1604278002	1611772267	1604280300	1611771267	1604331726	1611772067
1604332900	1611771567	1604335503	1611772367	1604342300	1611062067
1604342300	1611062067	1604342300	1611062067	1604431800	1611772367
1604431800	1611772367	1604436902	1611772267	1604439901	1611772267
1604524600	1611772367	1604582800	1611772467	1604582800	1611772467
1604582800	1611772267	1604582800	1611772267	1604582800	1611772267
1604611102	1611772467	1604669700	1611772367	1604707600	1638098881
1604708401	1638098881	1604720401	1626944888	1604740501	1626944888
1604769700	1611061267	1604769700	1611061267	1604988700	1611860167
1604988800	1611860167	1604989202	1611773067	1604993600	1611061267
1604993600	1611061267	1607843954	1611061367_07W	1607843993	1611773067
1607843993	1611061567_03W	1607852223	1611771567	1607852238	1611771567
1607852242	1611771567	1607852245	1611771567	1607852247	1611771567
1607852267	1611772167	1607852267	1611772167	1607852267	1626893184
1607852267	1626893082	1607852267	1611772167	1607852267	1638077583
1607852267	1611772867	1607852267	1626892986	1607852267	1611772867
1607852267	1626893286	1607852267	1611772167	1607852267	1611772167
1607852267	1638134683	1607852267	1611061367_07W	1607852268	1626893082
1607852268	1611772167	1607852268	1626964583	1607852268	1611772167
1607852268	1611772167	1607852268	1626902382	1607852268	1611772167
1607852268	1626901583	1607852268	1611772167	1607852268	1611772867
1607852268	1638077583	1607852268	1626902282	1607852268	1611061367_07W
1607852268	1626953994	1607852268	1626893184	1607852268	1626892986
1607852268	1611772867	1607852268	1626953984	1607852268	1626893286
1607852268	1626892784	1607852268	1626954084	1607852268	1638134683
1607852275	1626892986	1607852279	1611771467	1607852283	1611771567
1607852288	1611771567	1607852289	1611771967	1607852289	1611771967
1607852293	1611050767	1607852293	1611702993	1607852293	1611050767
1607852305	1611061567_03W	1607852305	1611061567_03W	1607852310	1611771867
1607852310	1611771867	1607852310	1611771867	1607852310	1611771867
1607852310	1611771867	1607852361	1611771867	1607852361	1611771867
1607856898	1611771467	1607856898	1611771467	1607856898	1611771467
1607856898	1611771467	1607856898	1611771467	1607856898	1611771467
1607858300	1626944888	1607858400	1626944888	1607858500	1626944888
1607858600	1626944888	1607863440	1611771567	1607863440	1611771567
1607863891	1611772967	1607864801	1626944888	1607864802	1626944888
1607864805	1626944888	1607864811	1626944888	1613080100	1611061367_07W

Part no	Part no	Part no	Part no	Part no	Part no
1613080100	1611061367_07W	1613080103	1611061367_07W	1613080105	1638724100
1613080106	1611043367	1613080107	1611770767	1613080800	1611061367_07W
1613265500	1626940184	1613291300	1638940880	1613938100	2914900180
1613946382	1611772367	1613947600	2914900180	1613947780	2914900180
1613980400	2914900180	1613984300	2914900180	1613984400	2914900180
1615543900	1611773067	1615544100	1611772967	1615544300	1615603480
1615544601	1615603480	1615544700	1615603480	1615545102	1611773067
1615550900	1611772967	1615554001	1611773067	1615561400	1611772467
1615561400	1611061367_07W	1615566400	1611772867	1615566400	1611772867
1615566400	1611061367_07W	1615566400	1611041867	1615566400	1611772667
1615566400	1611771567	1615566400	1611772867	1615566400	1611061367_07W
1615566400	1611061367_07W	1615566400	1611041867	1615566400	1611061367_07W
1615566400	1611772667	1615566400	1611772867	1615566400	1611772667
1615566400	1611061367_07W	1615566400	1611773067	1615566400	1626964583
1615566400	1626892986	1615566400	1626893286	1615566400	1611061567_03W
1615566400	1611772367	1615566400	1611773067	1615566400	1611773067
1615566400	1611043367	1615566400	1626901583	1615566400	1611772367
1615566400	1611061567_03W	1615566400	1611043367	1615566400	1611772167
1615566400	1611773067	1615566400	1626944888	1615566400	1611773067
1615566400	1611772867	1615566400	1611771567	1615568400	1626901583
1615568400	1626953994	1615568400	1626964583	1615568400	1626953984
1615568400	1638077583	1615568400	1626954084	1615568400	1626902382
1615568400	1626902282	1615603400	1615603480	1615603480	1611773067
1615694702	1611772267	1615696703	1626953994	1615696703	1626954084
1615696703	1626953984	1615700401	1611043367	1615727100	1611772667
1615739700	1611772267	1615762200	1611773067	1615771200	1626982581
1615788400	1626880982	1615788400	1626893082	1615874401	1611772467
1615874501	1611772467	1615881700	1611061367_07W	1616461501	1611771567
1616734592	1611770867	1619166302	1626893286	1619166302	1626892986
1619166303	1626893286	1619166303	1626892986	1619266500	1626902382
1619266500	1626964583	1619266500	1626953984	1619266500	1638107382
1619266500	1626902282	1619266500	1626953994	1619266500	1626982683
1619266500	1626901583	1619266500	1626954084	1619276600	1611773067
1619276600	1626893286	1619276600	1611773067	1619276600	1611061367_07W
1619276600	1626892986	1619276600	1626893082	1619276600	1611772867
1619276600	1611061367_07W	1619276600	1611771567	1619276600	1611061367_07W
1619276600	1611772167	1619276600	1611772167	1619276600	1611771567
1619276600	1611773067	1619276600	1611720279	1619276600	1611043367
1619276600	1611771467	1619276600	1611061367_07W	1619276600	1611771467
1619276600	1626893184	1619276600	1611771467	1619276600	1611771467
1619276600	1611772367	1619276600	1611772267	1619286105	1611770667
1619517701	1611816167	1619518800	1638134683	1619518901	1611771267
1619520500	1638561082	1619520500	1611771367	1619520500	1611702993
1619520500	1611050767	1619520500	1611050767	1619531801	1611770667
1619533701	1611772167	1619533701	1611061367_07W	1619533701	1611043367
1619533703	1611061267	1619533703	1611061267	1619533703	1611061567_03W
1619533703	1611771567	1619556200	1611773067	1619556200	1611773067
1619556200	1611773067	1619556200	1611773067	1619589801	1611772367
1619589801	1611043367	1619589801	1611061367_07W	1619589801	1611772267
1619589801	1611772267	1619589801	1611041867	1619589801	1611061367_07W
1619589801	1611772367	1619589801	1611061367_07W	1619589801	1611771567
1619589801	1611771567	1619589801	1611771567	1619589801	1611043367
1619589801	1611771567	1619615304	1611772367	1619685800	1626901583
1619685800	1626902282	1619685800	1626902382	1619685800	1626953984
1619685800	1626954084	1619685800	1626953994	1619685800	1626964583
1626008800	1638098881	1626008900	1638098881	1626019800	1638098881
1626020101	1611702993	1626020101	1611050767	1626020101	1611050767
1626022100	1626961983	1626022100	1611061367_07W	1626026480	1611773067
1626027200	1611772367	1626037500	1611773067	1626066800	1611773067
1626088200	1611771367	1626119600	1611773067	1626169581	1611702993
1626169581	1611050767	1626169581	1611050767	1626169600	1626169581
1626169700	1626169581	1626188800	1611772467	1626194001	1626194081

Part no	Part no	Part no	Part no	Part no	Part no
1626194081	1611773067	1626201301	1611702993	1626201301	1611050767
1626201301	1611050767	1626215202	1611816167	1626215382	1611770767
1626218900	1638940880	1626225801	2950957701	1626225801	Engine_oil_Genoil_13'
1626225901	Engine_oil_Genoil_13'	1626225901	2950957701	1626237100	1638940880
1626238000	1638940880	1626257802	1611816167	1626257901	1611816167
1626258001	1611816167	1626263300	1611043367	1626271600	1611771967
1626273101	1611771567	1626291683	1611041767	1626310801	1638077583
1626311303	1611771567	1626333803	1626333885	1626333885	1611043767
1626333900	1626333885	1626358802	1626953994	1626358802	1626964583
1626358880	1638134683	1626358901	1638077583	1626358902	1626902282
1626358902	1626954084	1626360700	1611771567	1626365100	1611061567_03W
1626365100	1611773067	1626365100	1611061567_03W	1626407100	1626893286
1626469100	1638940880	1626474801	1611772167	1626475200	1611772167
1626509201	1611041767	1626509301	1611041767	1626510800	1611060567
1626510900	1611060567	1626511001	1611771067	1626511701	1626333885
1626534706	1626944888	1626537304	1611772067	1626537906	1626944888
1626550401	1611061367_07W	1626551783	1611771567	1626552400	1611771567
1626555281	1611772367	1626555806	1611771567	1626572400	1611772367
1626572500	1611772367	1626578800	1626194081	1626651911	1611771567
1626764500	1611771567	1626767800	1626944888	1626814101	1611772967
1626814701	1611061567_03W	1626835700	1638515181	1626835800	1638515181
1626843811	1611771567	1626880902	1626880982	1626880982	1611772867
1626881902	1626893286	1626892502	1611061367_07W	1626892704	1626892784
1626892783	1611772667	1626892906	1626892986	1626892985	1611772867
1626893082	1611772867	1626893184	1611772867	1626893206	1626893286
1626893285	1611772867	1626894907	1611061367_07W	1626901583	1611772667
1626902182	1611772667	1626902282	1611772667	1626902382	1611772667
1626925103	1611061367_07W	1626927805	1611773067	1626928801	1611773067
1626928801	1611773067	1626930603	1638134683	1626930785	1611773067
1626933503	1611773067	1626939900	1638200701_00	1626940184	1611772267
1626944808	1626944888	1626944830	1626944888	1626944831	1626944888
1626944888	1611771567	1626945003	1611060367	1626953984	1611772667
1626953994	1611772667	1626954084	1611772667	1626954301	1611771367
1626954501	1611771367	1626955000	1611772767	1626955100	1611772867
1626955200	1611772867	1626961701	1611773067	1626961902	1626961983
1626961983	1626892986	1626963202	1611773067	1626963302	1611773067
1626963782	1626892986	1626963982	1626892986	1626964181	1626892986
1626964202	1626892986	1626964583	1611772667	1626964982	1626892986
1626969801	1611061367_07W	1626969903	1611061367_07W	1626970002	1611061367_07W
1626971901	1611773067	1626974800	1611061267	1626981701	1611773067
1626981801	1611773067	1626982581	1611062067	1626982683	1611062067
1626984100	1638515181	1626985982	1611062067	1626986103	1611060367
1626986782	1611772367	1626987601	1611771467	1626987701	1611771467
1626987801	1611771467	1626988101	1611771467	1626988683	1611061567_03W
1626990300	1611061367_07W	1626990602	1611771467	1626990701	1611771467
1626994400	1626986782	1626994801	1611061267	1626995000	1611061367_07W
1626996401	1611061567_03W	1626996502	1611041667	1626996602	1611061567_03W
1626997082	1626892986	1626997903	1611061567_03W	1630013411	Coolant_GencoolGree
1630013411	2950957701	1630013416	Coolant_GencoolGree	1630013416	2950957701
1630017500	Compressor_oil_Geno	1630017500	2950957701	1636021120	1638313501
1636021120	1638313501	1636021120	1638313501	1638000000	1611771367
1638003284	1626893184	1638005400	1611773067	1638006303	1611772967
1638021001	1611041867	1638022702	1611772667	1638022702	1611772667
1638022702	1611772667	1638022702	1611772667	1638022702	1611772667
1638024700	1611772967	1638025400	1611772667	1638025400	1611772667
1638025400	1611772667	1638025400	1611772667	1638025400	1611772667
1638025500	1611772667	1638025500	1611772667	1638025500	1611772667
1638025500	1611772667	1638025500	1611772667	1638025804	1611772367
1638048501	1638561082	1638053301	1611773067	1638054202	1626893286
1638054881	1626893286	1638055900	1611772367	1638057783	1611061567_03W
1638060901	1611771567	1638063303	1611772267	1638063402	1611771567
1638064401	1611771367	1638064501	1611771367	1638070300	1611772367

Part no	Part no	Part no	Part no	Part no	Part no
1638073401	1611772367	1638076700	1611041867	1638076802	1611041867
1638077480	1638077583	1638077501	1638077583	1638077583	1611772667
1638078401	1638077583	1638078500	1638077583	1638079503	1611772367
1638079601	1638561082	1638079700	1638077583	1638080201	1638077583
1638080701	1611772367	1638080801	1611772367	1638084800	1611771467
1638084800	1611771467	1638085500	1611771467	1638085600	1611771467
1638088401	1638561082	1638091400	1611050767	1638091400	1611702993
1638091400	1611050767	1638091702	1611771567	1638091801	1611771567
1638091901	1611771567	1638092603	1611050767	1638092603	1611702993
1638092603	1611050767	1638092782	1611050767	1638092782	1611050767
1638092782	1611702993	1638092902	1638092782	1638093106	1611771567
1638095500	1611770767	1638098881	1611050767	1638098881	1611050767
1638098881	1611702993	1638102800	1626892986	1638102900	1611771367
1638105500	1611061267	1638107382	1611062067	1638113601	1611043367
1638114900	1626986782	1638117202	1611061567_03W	1638120200	1611061367_07W
1638125002	1611772267	1638125002	1611772267	1638125500	1611772267
1638125500	1611772267	1638125600	1611772267	1638125600	1611772267
1638126600	1611772167	1638129701	1611061367_07W	1638130702	1611061367_07W
1638134602	1638134683	1638134682	1611772667	1638143000	1626940184
1638143201	1611061367_07W	1638144200	1626940184	1638144200	1611772267
1638144601	1611772267	1638146600	1611772267	1638148801	1611046667
1638148801	1611772167	1638153801	1611772167	1638153901	1611772167
1638154002	1611772167	1638154101	1611772167	1638162901	1611772267
1638163400	1611772267	1638165300	1611770667	1638169900	1611066467
1638174000	1638077583	1638174401	1626961983	1638174401	1626961983
1638177401	1611771567	1638179600	1626893286	1638179600	1626892986
1638179880	1626892986	1638180401	1611061367_07W	1638211400	1611061267
1638211500	1611061267	1638215400	1611043367	1638217201	1611043367
1638221900	1611061367_07W	1638226100	1611771567	1638226200	1611773067
1638250101	1611061367_07W	1638264700	1611772167	1638269000	1611770767
1638280600	1611772367	1638306600	1611771067	1638311901	1611050767
1638311901	1611702993	1638311901	1611050767	1638313501	1611771767
1638361000	1626333885	1638370920	1611720279	1638374300	1626333885
1638380400	1611771567	1638380427	1611720279	1638380427	1611771567
1638380428	1611720279	1638380428	1611771567	1638380435	1611041767
1638380435	1611770767	1638380435	1611771767	1638380438	1638313501
1638380439	1638313501	1638380440	1638313501	1638405210	1611050767
1638405210	1611720293	1638405210	1611050767	1638405230	1611771567
1638416201	1611061367_07W	1638417100	1638200701_00	1638432802	1611061367_07W
1638505300	1611771567	1638505500	1611771567	1638513900	1611066467
1638515181	1611771567	1638515900	1638515181	1638516100	1638515181
1638516300	1638515181	1638526481	1638515181	1638529900	1611771867
1638530000	1611771867	1638530300	1611702622	1638560501	1638724100
1638560502	1638724100	1638560503	1638724100	1638560504	1638724100
1638560505	1638724100	1638560506	1638724100	1638560507	1638724100
1638560508	1638724100	1638560510	1638724100	1638560511	1638724100
1638560512	1638724100	1638560514	1638724100	1638560515	1638724100
1638560516	1638724100	1638560517	1638724100	1638560521	1638724100
1638560523	1638724100	1638561082	1611770667	1638565300	1611771567
1638648500	1611043367	1638692000	1611772367	1638724100	1611043367
1638725300	1638724100	1638744400	1611720279	1638788100	1611772367
1638850300	1611702993	1638850300	1611050767	1638850300	1611050767
1638888400	1611772367	1638911500	1638971300	1638921000	1638940880
1638933600	1611771967	1638944000	1611771267	1638944100	1611771267
1638946800	1611771367	1638948400	1611771267	1638971300	1611720279
1638977880	1611770967	1638998100	1611770767	1816002000	1611770667
1816005400	1611771967	1816011902	1611772267	1816012082	1611772667
1816015800	1611772267	1816018700	1611771967	1816018801	1611772367
1816018901	1611772367	1816024301	1611772367	1816024401	1611772367
1816024501	1611772367	1816024601	1611772367	1816024701	1611772367
1816024802	1611772367	1816024901	1611772367	1816035700	1611772367
1816059000	1611771567	1816074000	1611772367	1816074100	1611772367

Part no	Part no	Part no	Part no	Part no	Part no
1816074700	1611772367	1816077200	1611772367	1816082700	1611772167
1816083100	1611772167	1816083300	1611772167	1816083500	1611772167
1816083500	1611772167	1816110700	1611702993	2250252800	1626975091
2252405700	1638098881	2252405800	1638098881	2252547000	1611816167
2252547700	1611816167	2252547800	1611816167	2252547900	1611816167
2252626900	1626333885	2254760400	1611816167	2254986800	1626333885
2255281300	1626333885	2258293616	2914900184	2258293716	2914900182
2911000153	2950957701	2911000153	2911000153_00	2911016400	2950957701
2911016800	2950957701	2911016800	2911016800	2912472800	2912472800
2912472800	2950957701	2912472900	2912472900	2912472900	2950957701
2913000034	1638313501	2913000034	1638313501	2913000034	1638313501
2913000240	1638313501	2913000241	1638313501	2913000242	1638313501
2913000260	2914900178	2913000261	2914900178	2913000263	2914900178
2913000264	2914900184	2913000265	2914900182	2913000266	2914900184
2913000266	2914900182	2913000267	2914900184	2913000267	2914900182
2913400000	2914900116	2914501800	1611061267	2914501800	1611061267
2914502500	1611061267	2914502500	1611061267	2914507700	1611061267
2914507700	1611061267	2914738800	2914900178	2914739000	2914900178
2914739100	2914900178	2914739200	2914900178	2914739400	2914900178
2914739500	2914900178	2914739600	2914900178	2914739700	2914900178
2914739800	2914900178	2914740000	2914900178	2914740100	2914900178
2914740200	2914900178	2914740300	2914900178	2914740400	2914900178
2914885600	2914900178	2914885700	2914900178	2914886600	2914900178
2914886700	2914900178	2914886800	2914900178	2914887100	2914900178
2914887200	2914900178	2914887300	2914900178	2914887400	2914900178
2914887500	2914900183	2914887600	2914900183	2914887700	2914900178
2914887800	2914900183	2914888000	2914900183	2914888100	2914900183
2914888200	2914900178	2914888300	2914900178	2914888600	2914900183
2914888800	2914900178	2914888900	2914900178	2914889000	2914900178
2914889300	2914900183	2914889400	2914900183	2914889500	2914900178
2914889600	2914900178	2914900175	2914900175	3163185200	1611770667
3163185300	1611770667	3176152200	1611772267	3176152200	1611772267
3176152200	1611772267	3176293200	1611043367	3176651500	1611772467
3176651500	1611772467	3176792200	1611771367	3176792200	1611771367
3176792200	1611771367	5730010752	1611772167	9740202612	1611702993
9740202612	1611050767	9740202612	1611050767		

Go to Discount-Equipment.com to order your parts



www.discount-equipment.com

PARTS FINDER

**Search Website
by Part Number**



**Search Manual
Library For Parts
Manual & Lookup Part
Numbers – Purchase
or Request Quote**

Search Manuals

Enter your information to help us find the right parts manual for your machine.

* Brand:

* Model:

* Serial:

* Part Number:

SEARCH

**Can't Find Part or
Manual? Request Help
by Manufacturer,
Model & Description**

Parts Order Form

Please fill in the following information to help us find the right part for your machine.

Manufacturer:	<input type="text"/>
Model:	<input type="text"/>
Description:	<input type="text"/>
Part Number:	<input type="text"/>
Quantity:	<input type="text"/>
Notes:	<input type="text"/>

Submit

Discount-Equipment.com is your online resource for quality parts & equipment.

Florida: **561-964-4949** Outside Florida TOLL FREE: **877-690-3101**

Need parts?

Click on this link: <http://www.discount-equipment.com/category/5443-parts/> and choose one of the options to help get the right parts and equipment you are looking for. Please have the machine model and serial number available in order to help us get you the correct parts. If you don't find the part on the website or on one of the online manuals, please fill out the request form and one of our experienced staff members will get back to you with a quote for the right part that your machine needs.

We sell worldwide for the brands: Genie, Terex, JLG, MultiQuip, Mikasa, Essick, Whiteman, Mayco, Toro Stone, Diamond Products, Generac Magnum, Airman, Haulotte, Barreto, Power Blanket, Nifty Lift, Atlas Copco, Chicago Pneumatic, Allmand, Miller Curber, Skyjack, Lull, Skytrak, Tsurumi, Husquvarna Target, Stow, Wacker, Sakai, Mi-T-M, Sullair, Basic, Dynapac, MBW, Weber, Bartell, Bennar Newman, Haulotte, Ditch Runner, Menegotti, Morrison, Contec, Buddy, Crown, Edco, Wyco, Bomag, Laymor, EZ Trench, Bil-Jax, F.S. Curtis, Gehl Pavers, Heli, Honda, ICS/PowerGrit, IHI, Partner, Imer, Clipper, MMD, Koshin, Rice, CH&E, General Equipment, Amida, Coleman, NAC, Gradall, Square Shooter, Kent, Stanley, Tamco, Toku, Hatz, Kohler, Robin, Wisconsin, Northrock, Oztec, Toker TK, Rol-Air, APT, Wylie, Ingersoll Rand / Doosan, Innovatech, Con X, Ammann, Mecalac, Makinex, Smith Surface Prep, Small Line, Wanco, Yanmar