



**Discount
Equipment**

www.discount-equipment.com

Filter	2950775000,APP 431841 - 528178
Identity	2950775000
Specifications	Product number: 8162061053, Division: Portable Air, Product group: Diesel Driven Compressors, Product type: Medium Air, Product: CPS110, Product Company: Antwerp

PARTS FINDER

**Search Website
by Part Number**



**Search Manual
Library For Parts
Manual & Lookup Part
Numbers – Purchase
or Request Quote**

Search Manuals

Enter your information to help us find the right parts manual for your machine.

* Brand:

* Model:

* Serial:

* Part Number:

SEARCH

**Can't Find Part or
Manual? Request Help
by Manufacturer,
Model & Description**

Parts Order Form

Please fill in the following information to help us find the right part for your machine.

Manufacturer:	<input type="text"/>
Model:	<input type="text"/>
Description:	<input type="text"/>
Part Number:	<input type="text"/>
Quantity:	<input type="text"/>
Notes:	<input type="text"/>

Submit

Discount-Equipment.com is your online resource for quality parts & equipment.

Florida: **561-964-4949** Outside Florida TOLL FREE: **877-690-3101**

Need parts?

Click on this link: <http://www.discount-equipment.com/category/5443-parts/> and choose one of the options to help get the right parts and equipment you are looking for. Please have the machine model and serial number available in order to help us get you the correct parts. If you don't find the part on the website or on one of the online manuals, please fill out the request form and one of our experienced staff members will get back to you with a quote for the right part that your machine needs.

We sell worldwide for the brands: Genie, Terex, JLG, MultiQuip, Mikasa, Essick, Whiteman, Mayco, Toro Stone, Diamond Products, Generac Magnum, Airman, Haulotte, Barreto, Power Blanket, Nifty Lift, Atlas Copco, Chicago Pneumatic, Allmand, Miller Curber, Skyjack, Lull, Skytrak, Tsurumi, Husquvarna Target, Stow, Wacker, Sakai, Mi-T-M, Sullair, Basic, Dynapac, MBW, Weber, Bartell, Bennar Newman, Haulotte, Ditch Runner, Menegotti, Morrison, Contec, Buddy, Crown, Edco, Wyco, Bomag, Laymor, EZ Trench, Bil-Jax, F.S. Curtis, Gehl Pavers, Heli, Honda, ICS/PowerGrit, IHI, Partner, Imer, Clipper, MMD, Koshin, Rice, CH&E, General Equipment, Amida, Coleman, NAC, Gradall, Square Shooter, Kent, Stanley, Tamco, Toku, Hatz, Kohler, Robin, Wisconsin, Northrock, Oztec, Toker TK, Rol-Air, APT, Wylie, Ingersoll Rand / Doosan, Innovatech, Con X, Ammann, Mecalac, Makinex, Smith Surface Prep, Small Line, Wanco, Yanmar

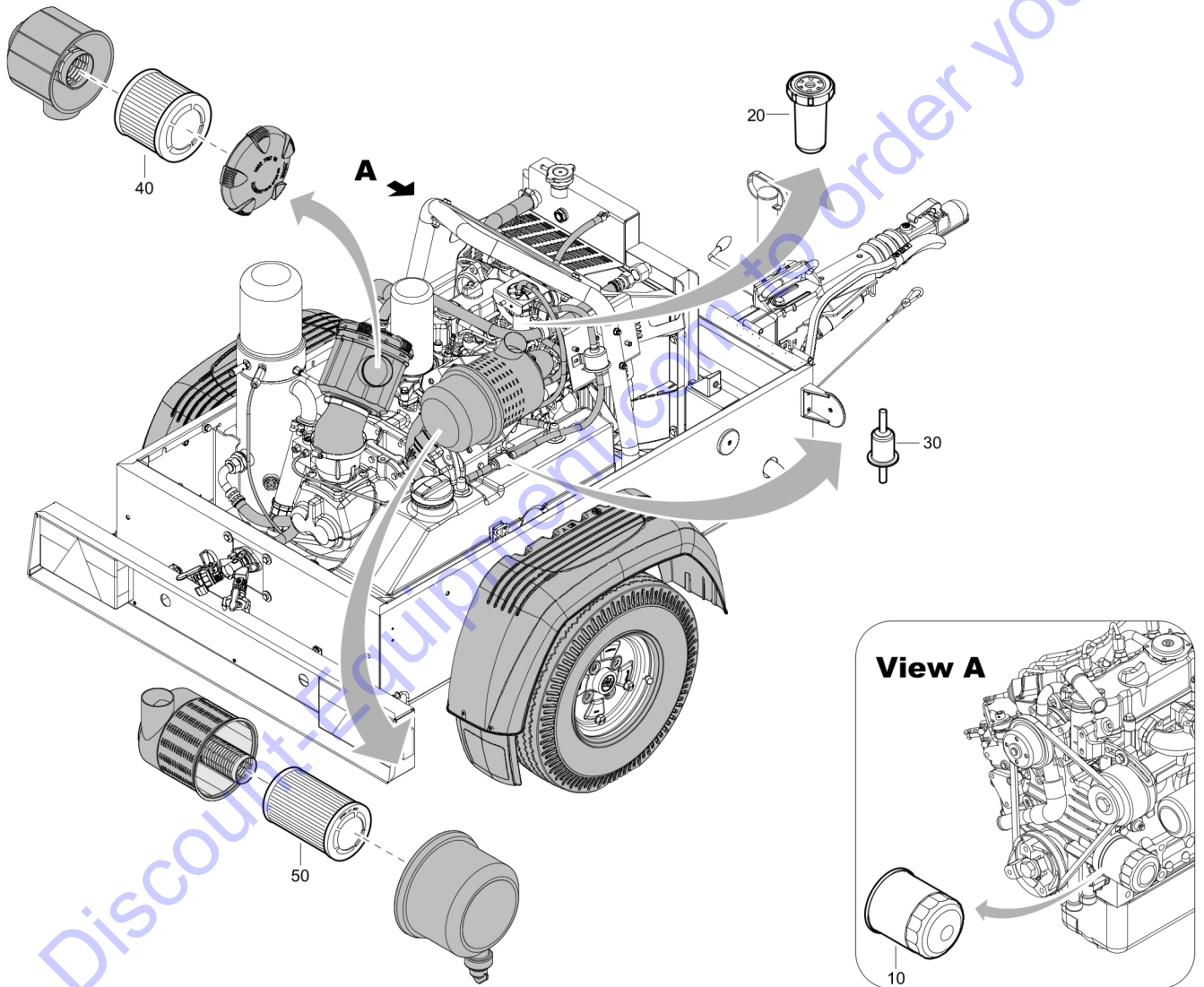
Kits and consumables	:950775000_Kitsandconsumables
SERVICE PACK 250HR BOX 2.1 CP	2912500202
SERVICE KIT (500H)	2912500203
COMPRESSOR OIL	Compressor_oil_Genoil
ENGINE OIL	Engine_oil_Genoil
COOLANT	Coolant_Gencool
Service kit - Unloading valve	2911005100
SERVICE KIT - UNLOADER VALVE	2911000050
Frame and mounts	1611716831
FRAME	1638158585
Compressor drive	1611715931
Gearset	1611717331
Unloader assembly	1638123180
Vessel air_W	1611720131
VESSEL AIR	1638213380
Air inlet	1611717031
Air outlet	1611717631
Regulating system_W	1611716031_03W
Housing valve	1638123181
Oil system_W	1611716931_06W
MANIFOLD	1638167880
Bodywork	1611717131
Hood	1638043480
Hood	1638288300
Hood	1638288381
No roads	1611746931
Markings	1611505231
Markings	1611500931
Cover plate	1638197101
Engine and accessories	1611716631
ENGINE D902	1638128600
Cooler and fan_W	1611716731_05W
Fuel system	1611715731
Electrical system	1611711231
Control panel	1638163183
EYE TOWING	1611853514
Eye towing ball	1611701233
EYE TOWING	1611853214
EYE TOWING	1611853014
Cold start	1611737931
No cold start	1611700007
Hose reel	1611731031
Air outlet	1611733131
ROADS DOT CP/APT 2.1 PE BUMPER	1611745631
Wheel chocks	1611869012
No roads	1611746931
Tyre assembly	1611730031
Wheel	1611730831
Lubricator	1611724531
No lubricator	1611729331

Support leg	1611812431
Jockey wheel FB	1611814531
Non return valve	1611732931
Restrictor	1611724331
Restrictor box	1611733031
Anti theft device	1611731331
Extended support mounted	1611729131
Undercarriage	1611745031
Safety chain	1611772212
Loose ball coupling	1611701232
SUPPORT MOUNTED	1611812731
Roads	1611747031
Undercarriage	1611744731
Fleetlink option	1611700331
NO FLEETLINK	1611700431
Jockey wheel ADJ	1611815931
Jockey wheel	1611815831
EYE TOWING GB D50	1638308080
EYE TOWING BALL COUPLING	1638307780
EYE TOWING NATO	1638307880
LIGHT	1638296380
TYRE ASSY	1615924288
WHEEL	1626945680
LUBRICATOR	1638121680
Loose ball coupling	1638746380
CONTROL PANEL	1638441485
CONTROL PANEL	1638881680
Fixed towbar unbraked Protempo service parts	2914900047
Adjustable unbraked Protempo service parts	2914900051
Fixed towbar Braked Protempo service parts	2914900052
Adjustable towbar braked Protempo service parts	2914900050
Protempo Box 2.1 fixed brake service parts	2914900049
Adjustable unbraked towbar Protempo service parts	2914900048
Control panel	1638554681
BRAKE SHOE KIT	2911000065

Kits and consumables	Item Number	Description	Change Interval / Quantity		
			250 hours	500 hours	When Needed
Maintenance Kit	1	Service pak 250 hours	1		No
	2	Service pak 500 hours		1	
Compressor Oil	3	Can Genoil M 5 Liter/1.32 Gallon	7.5 Liter 1.9 Gallon	7.5 Liter 1.9 Gallon	No
Use Genoil M	4	Can Genoil M 20 Liter/5.3 Gallon			
Use Genoil S	5	Can Genoil S 20 Liter/5.3 Gallon			
Use Genoil S Ultra	6	Can Genoil S Ultra 20 Liter/5.3 Gallon			
Engine Oil	7	Can Genoil Engine Green 5 Liter/1.32 Gallon	3.8 Liter 1.0 Gallon	3.8 Liter 1.0 Gallon	No
Genoil Engine Green	8	Can Genoil Engine Green 20 Liter/5.3 Gallon			
Coolant	9	Can Gencool EG concentrate 5 Liter/1.32 Gallon	-	-	Yes
Use Gencool EG	10	Can Gencool EG 5 Liter/1.32 Gallon			
	11	Can Gencool EG 20 Liter/5.3 Gallon			
Service and Repair Kit	12	Service kit - Unloading valve			1

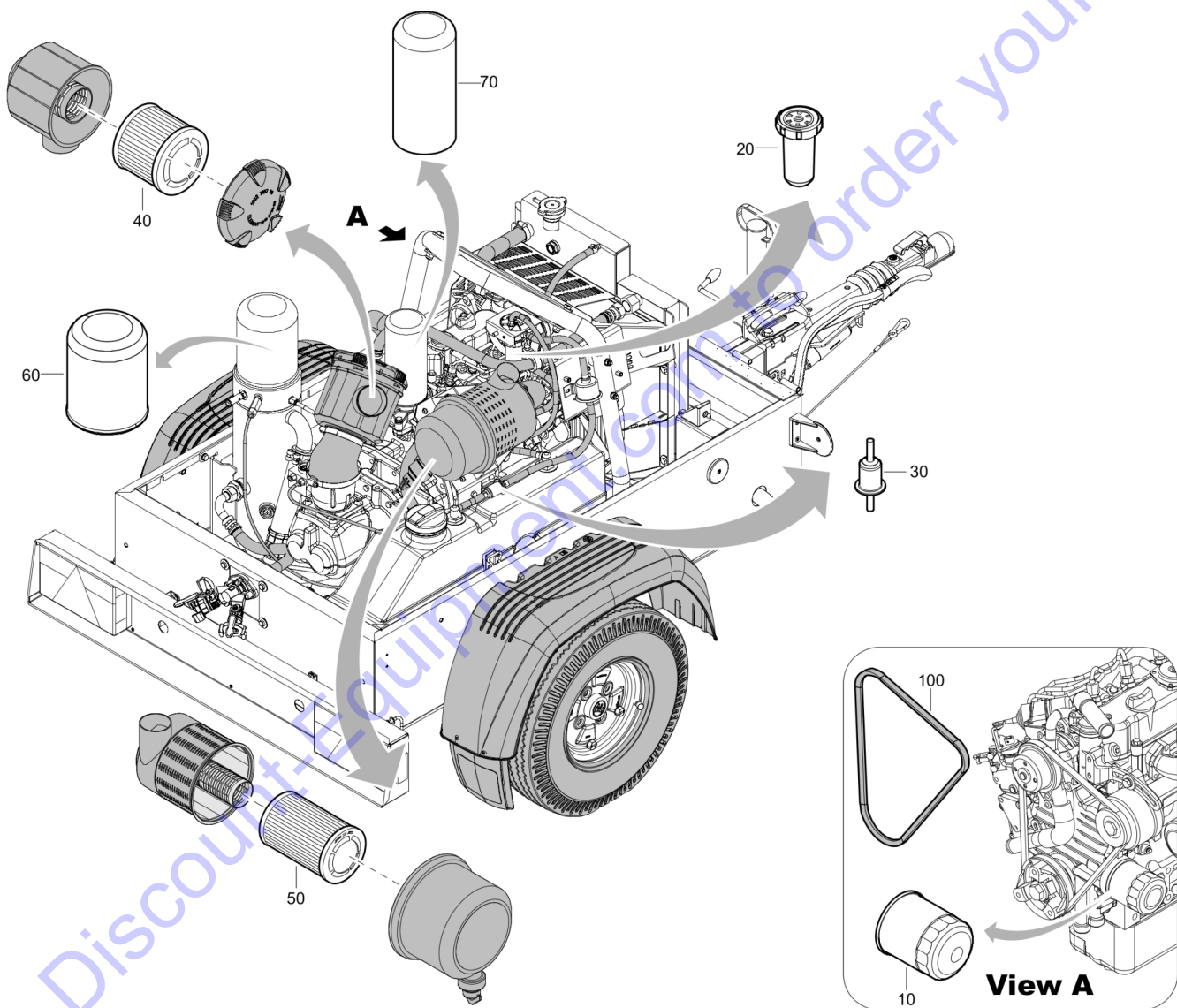
Id	Qty	Number	Name	Specifications
1	1	2912500202	SERVICE PACK 250HR BOX 2.1 CP	Version: 00
2	1	2912500203	SERVICE KIT (500H)	Version: 00
3	2	1626226000	CAN GENOIL M 5 LITER/1.32 GALLON	
4	1	1626226100	CAN GENOIL M 20 LITER/5.3 GALLON	
5	1	1630017500	CAN GENOIL S 20 LITER/5.28 GALLON	
6	1	1630024900	CAN GENOIL S ULTRA 20 LITER/5.3 GALLON	
7	1	1638074000	CAN GENOIL ENGINE GREEN 5 LITER/1.32 GALLON	
8	1	1638075000	CAN GENOIL ENGINE GREEN 20 LITER/5.3 GALLON	
9	1	1626225701	CAN GENCOOL EG CONCENTRATE 5 LITER/1.32 GALLON	
10	1	1626225501	CAN GENCOOL EG 5 LITER/1.32 GALLON	
11	1	1626225601	CAN GENCOOL EG 20 LITER/5.3 GALLON	
12	1	2911005100		Version: 3

Go to Discount-Equipment.com to order your parts



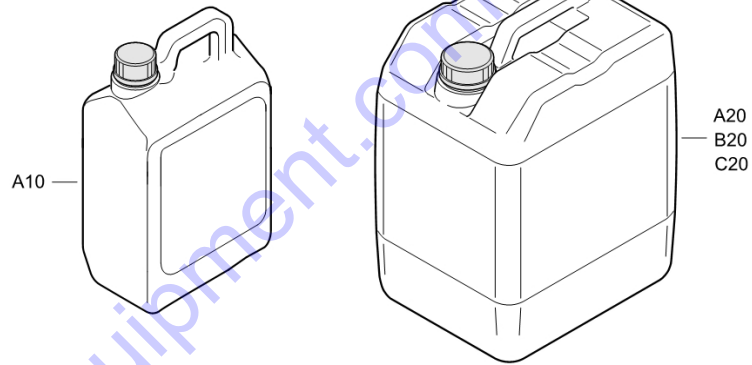
Id	Qty	Number	Name	Specifications
10	1		Filter oil engine	
20	1		FILTER	
30	1		PREFILTER	
40	1		Element filter	
50	1		Air filter element	

Go to Discount-Equipment.com to order your parts



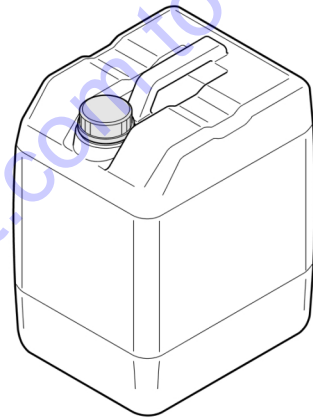
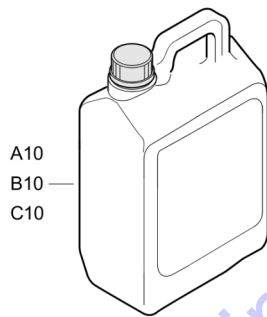
Id	Qty	Number	Name	Specifications
10	1		Filter oil engine	
20	1		Oil filter	
30	1		PREFILTER	
40	1		Element filter	
50	1		Air filter element	
60	1		Separator element	
70	1		Oil filter	
100	1		V-Belt	

Go to Discount-Equipment.com to order your parts



Id	Qty	Number	Name	Specifications
-			GENOIL M	
A10	1	1626226000	CAN GENOIL M 5 LITER/1.32 GALLON	
A20	1	1626226100	CAN GENOIL M 20 LITER/5.3 GALLON	
-			GENOIL S	
B20	1	1630017500	CAN GENOIL S 20 LITER/5.28 GALLON	
-			GENOIL S ULTRA	
C20	1	1630024900	CAN GENOIL S ULTRA 20 LITER/5.3 GALLON	

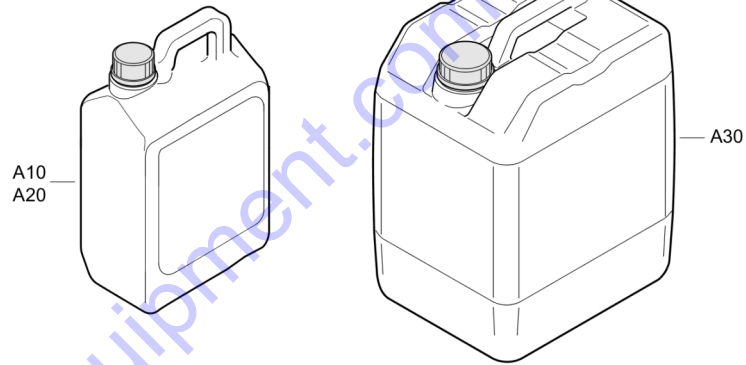
Go to Discount-Equipment.com to order your parts



Go to Discount-Equipment.com to order your parts

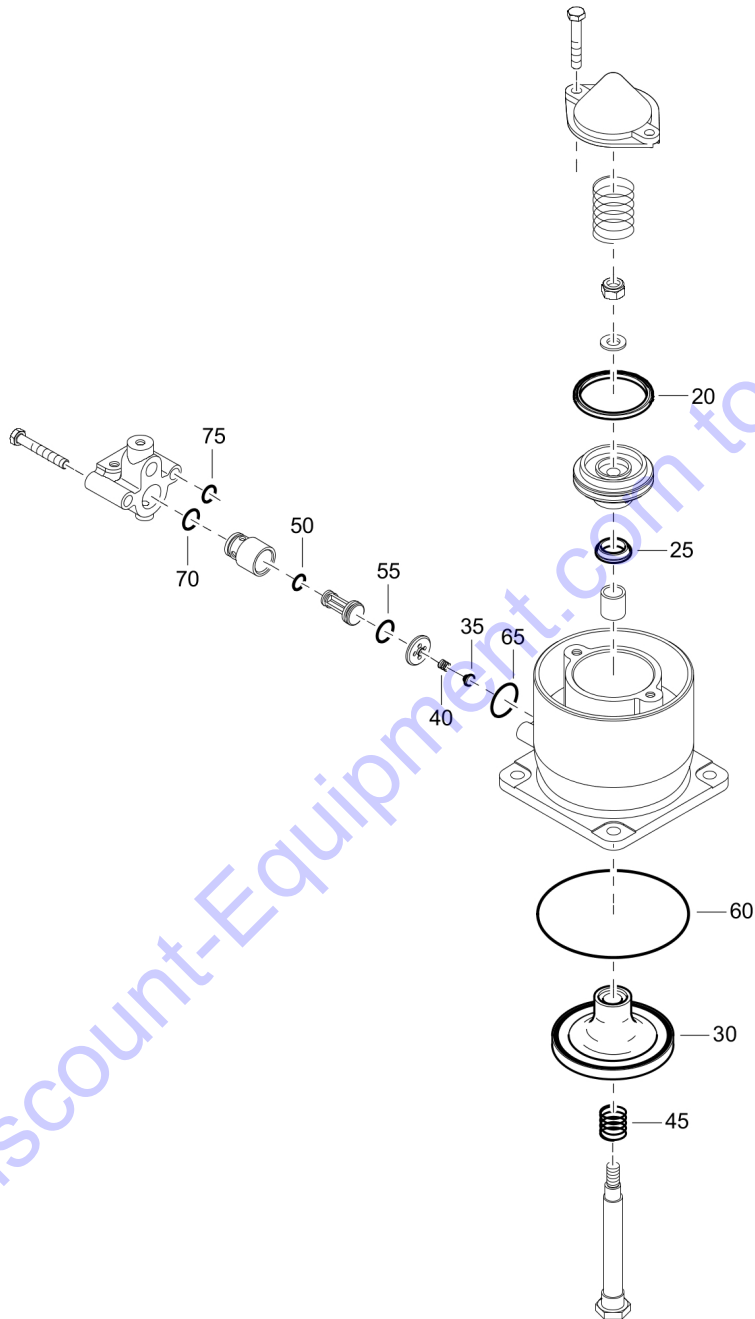
Id	Qty	Number	Name	Specifications
-			GENOIL PERFORMANCE	
A10	1	1626226200	CAN GENOIL 15W40 5 LITER/1.32 GALLON	
A20	1	1626226300	CAN GENOIL 15W40 20 LITER/5.3 GALLON	
-			GENOIL ENGINE PLUS	
B10	1	1626225801	CAN GENOIL 5W40 5 LITER/1.32 GALLON	
B20	1	1626225901	CAN GENOIL 5W40 20 LITER/5.3 GALLON	
-			GENOIL ENGINE GREEN	
C10	1	1638074000	CAN GENOIL ENGINE GREEN 5 LITER/1.32 GALLON	
C20	1	1638075000	CAN GENOIL ENGINE GREEN 20 LITER/5.3 GALLON	

Go to Discount-Equipment.com to order your parts



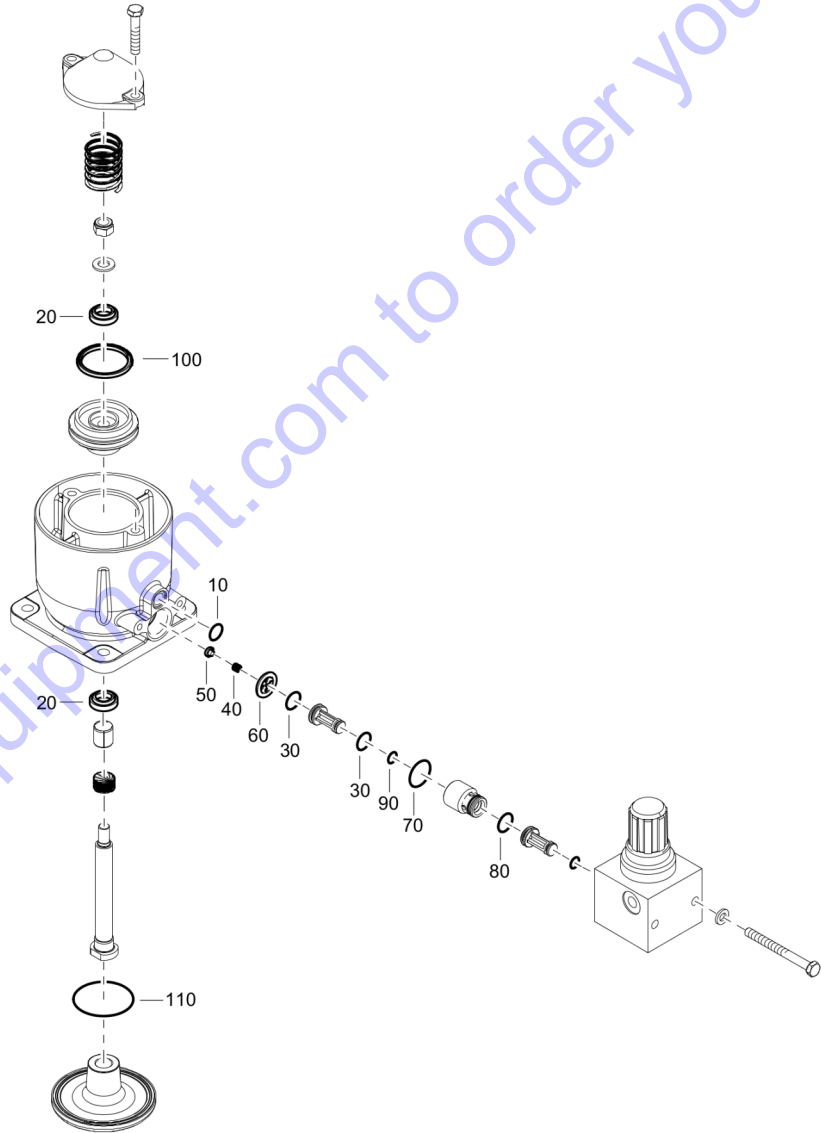
Id	Qty	Number	Name	Specifications
A10	1	1626225701	CAN GENCOOL EG CONCENTRATE 5 LITER/1.32 GALLON	
A20	1	1626225501	CAN GENCOOL EG 5 LITER/1.32 GALLON	
A30	1	1626225601	CAN GENCOOL EG 20 LITER/5.3 GALLON	

Go to Discount-Equipment.com to order your parts



Id	Qty	Number	Name	Specifications
20	1		Piston seal	
25	1		Service kit - Oil separator	
30	1		Valve regul.	
35	1		VALVE	
40	1		SPRING	
45	1		SPRING	
50	1		O-RING	
55	1		O-RING	
60	1		O-RING	
65	1		O-RING	
70	1		O-RING	
75	1		O-RING	

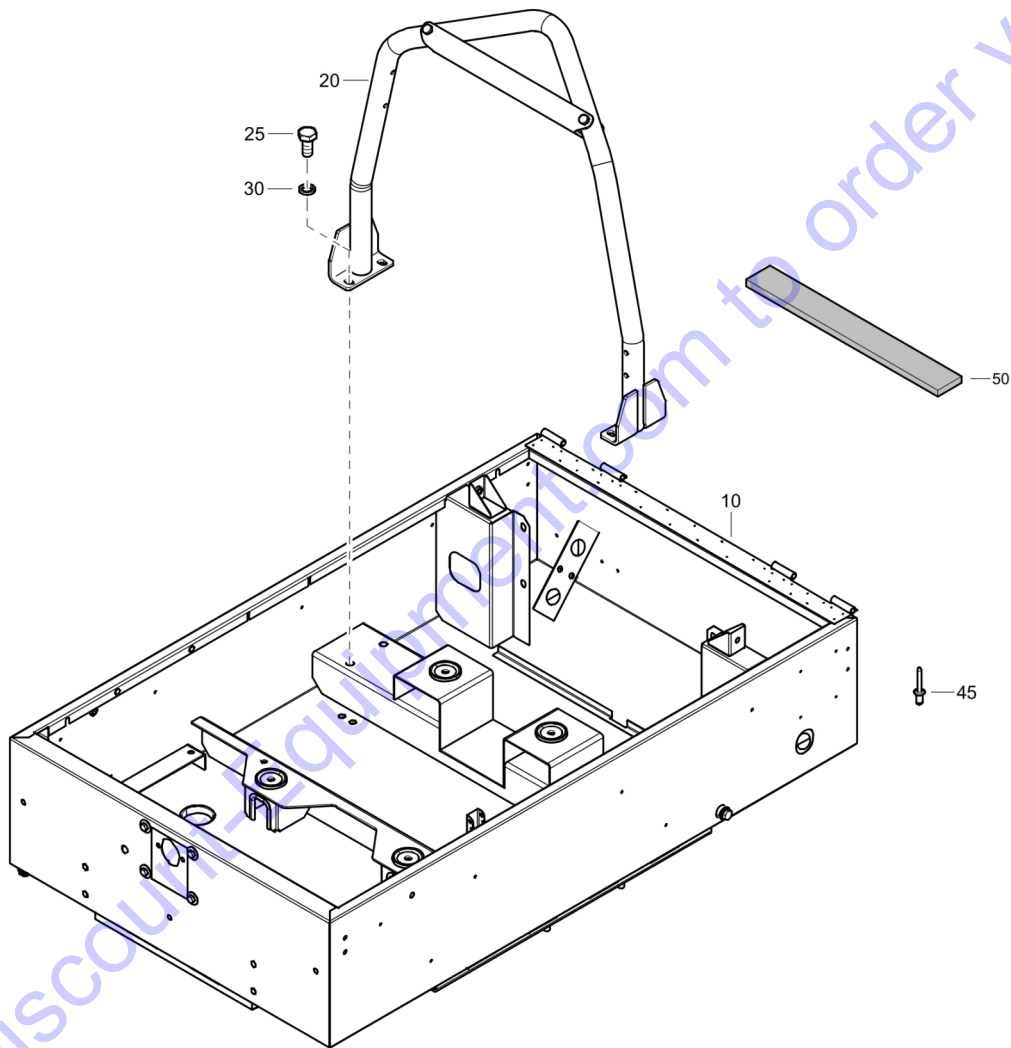
Go to Discount-Equipment.com to order your parts



Go to Discount-Equipment.com to order your parts

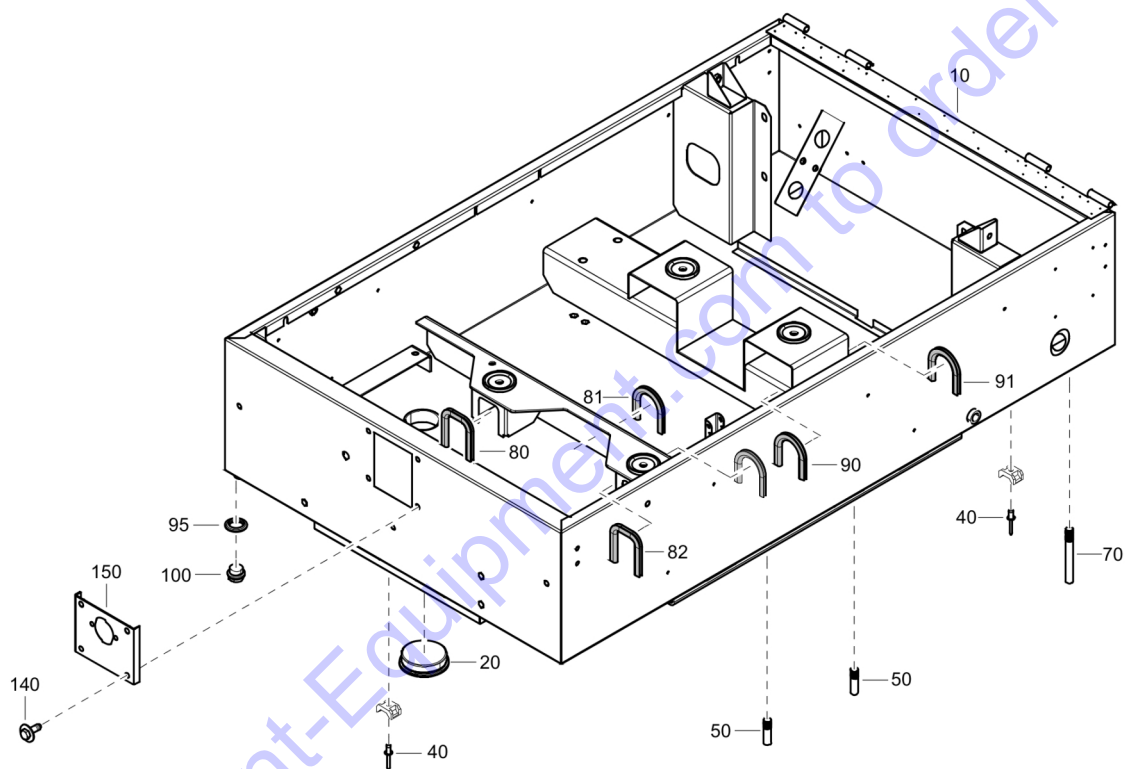
Id	Qty	Number	Name	Specifications
-	1	2911000050	SERVICE KIT - UNLOADING VALVE	
10	1		O-RING	
20	2		WIPER	
30	2		O-RING	
40	1		SPRING	
50	1		SEAT	
60	1		RETAINER	
70	1		O-RING	
80	1		O-RING	
90	1		O-RING	
100	1		PISTON SEAL	
110	1		O-RING	

Go to Discount-Equipment.com to order your parts



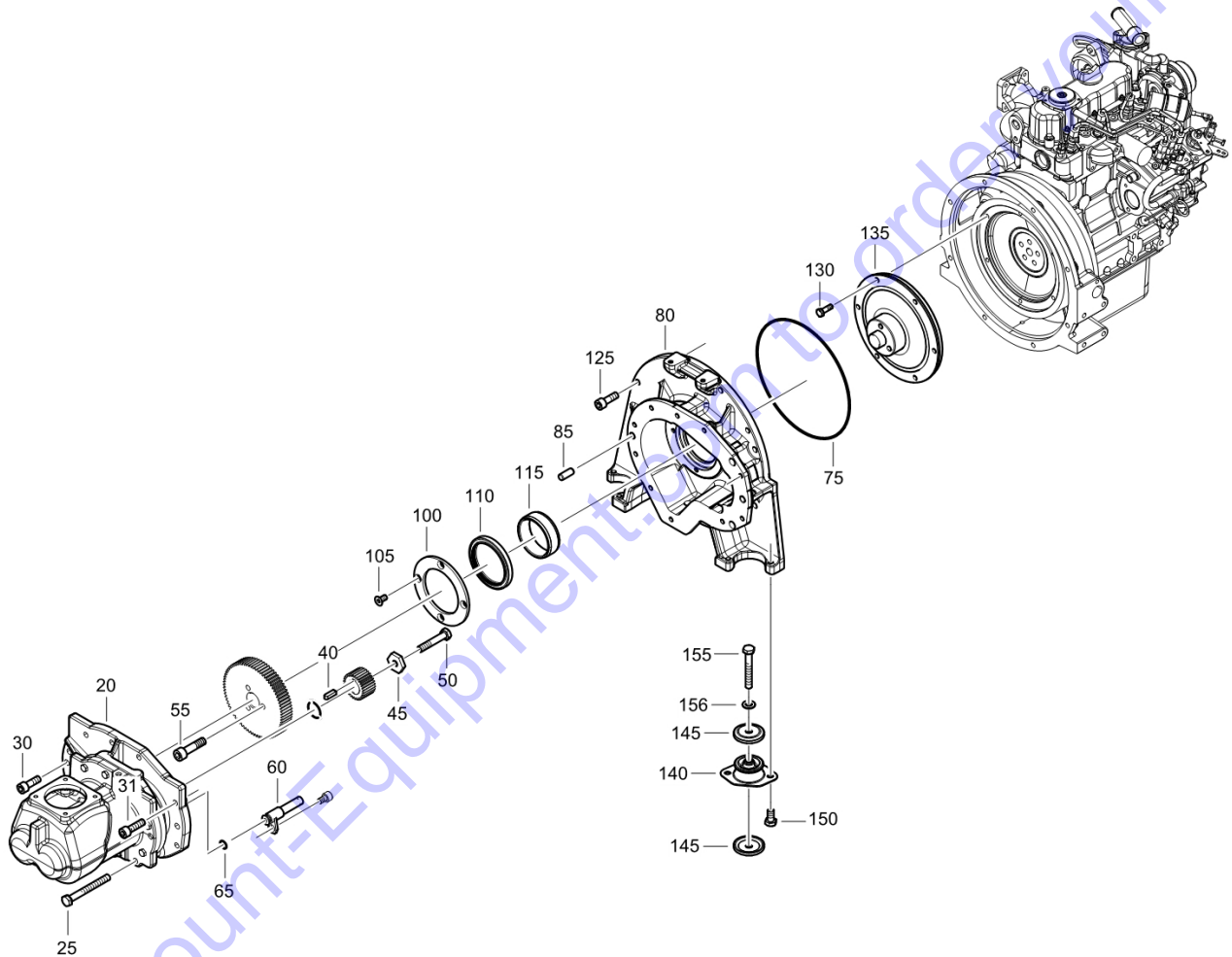
Id	Qty	Number	Name	Specifications
10	1	1638158584	FRAME	
20	1	1638131482	Beam	
25	4	0147140015	Hex. head screw	
30	4	3315019508	LOCK WASHER	
45	4	0129327034	RIVET	
50	1	1626926000	STRIP	

Go to Discount-Equipment.com to order your parts

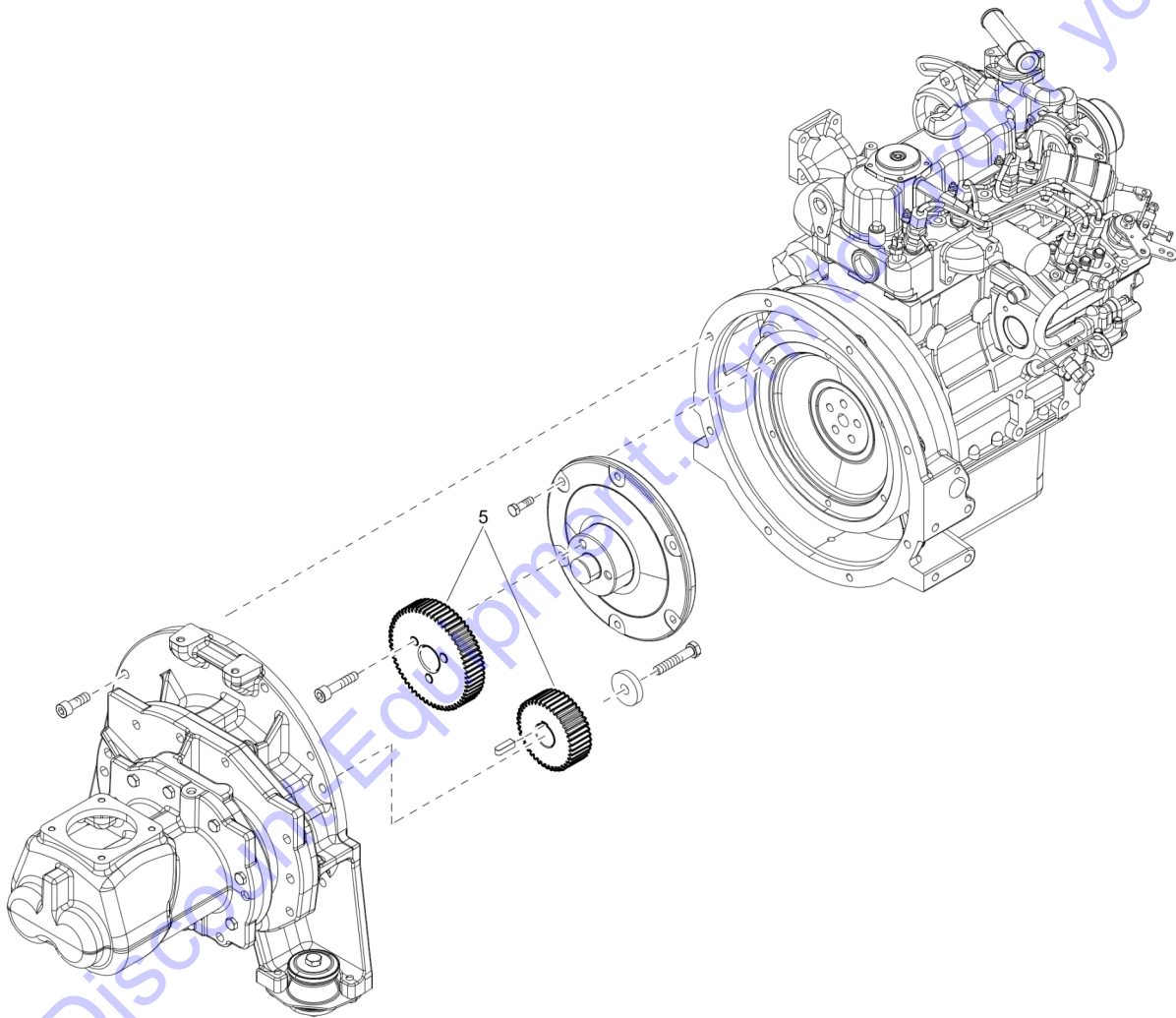


Id	Qty	Number	Name	Specifications
10	1	1638158505	FRAME	
20	1	1613265500	PLUG	
40	2	0129317401	BLIND RIVET	
50	4	0246195657	STUD	
70	2	0246129604	Rod	
80		1503105600	SEAL	
81		1503105600	SEAL	
82		1503105600	SEAL	
90		1503105600	SEAL	
91		1503105600	SEAL	
95	3	0661102600	SEAL WASHER 17.2 X 23.9 X 2	
100	3	0686371638	PLUG	
140	4	1604342300	SCRAPER BOLT	
150	1	1638183401	Plate cover	Version: 1

Go to Discount-Equipment.com to order your parts

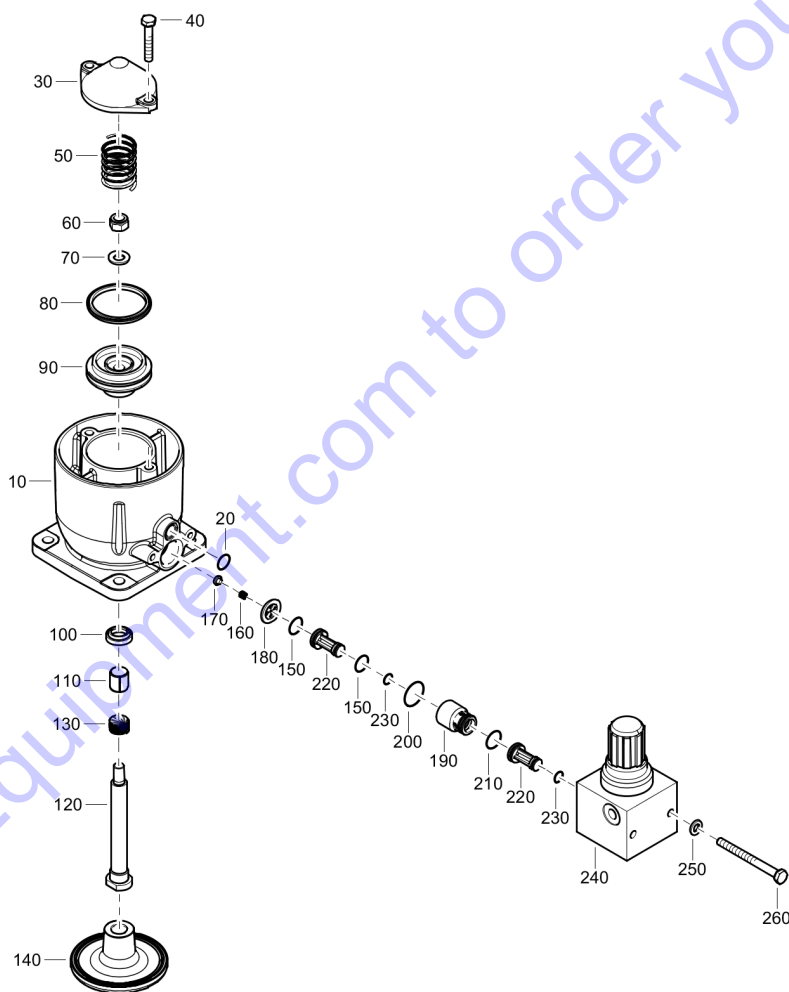


Id	Qty	Number	Name	Specifications
20	1	1616774590	SERVICE ELEMENT OIS H-10 (C67)	
25	1	0211137503	SCREW	
30	2	0211136303	SCREW:M10X 30;SOC HD CAP	
31	7	0211136403	HEXAGON SOCKET HEAD CAP SCREW	
40	1	1638122900	KEY PARALLEL	
45	1	1638122401	WASHER PLAIN	
50	1	0147111126	HEX. SOCK. SCREW	
55	3	0211110576	HEX. CSUNK SCREW	
60	1	1638122801	NOZZLE	
65	1	0663210784	O-RING 7.3X2.4	
75	1	0663211596	O-RING	
80	1	1638138602	GEARBOX	
85	2	0101231135	PIN PARALLEL	
100	1	1638122600	RING CLAMPING	
105	4	0216195738	SCREW	
110	1	1638122700	SEAL LIP	
115	1	1638122201	BUSHING	
125	8	0211220570	SCREW HEXAGON	
130	6	0144324320	HEX. SOCK. SCREW	
135	1	1638137401	SHAFT DRIVE	
140	2	1202900601	PAD ANTI VIBR.	
145	2	1202871900	WASHER PLAIN	
150	4	0147195874	SCREW:M10 X 20 HEX HD ZP	
155	2	0147137103	SCREW:M10 X 70;HEX HD	
156	2	0301234400	WASHER PLAIN	



Id	Qty	Number	Name	Specifications
5	1	1638168281		Version: 1

Go to Discount-Equipment.com to order your parts



Go to Discount-Equipment.com to order your parts

Id	Qty	Number	Name	Specifications
10	1	1638123100	HOUSING VALVE	
20	1	0663611800	O-RING	
30	1	1615766701	COVER	
40	2	0147125112	HEX. HEAD SCREW	
50	1	1615767201	SPRING	
60	1	0291111000	LOCKNUT	
70	1	0301233500	PLAIN WASHER(A) 8.4 X 16 X 1.6	
80	1	0665099954	PISTON SEAL	
90	1	1615875500	PISTON	
100	1	0665911000	WIPER	
110	1	0500451021	PLAIN BEARING	
120	1	1638123200	ROD PISTON	
130	1	1604038801	SPRING	
140	1	1638123302	VALVE REGUL.	
150	2	0663711900	O-RING 12.1X1.6	
160	1	1626032700	SPRING	
170	1	1604038900	SEAT	
180	1	1615834600	RETAINER	
190	1	1615834501	BUSHING	
200	1	0663712600	O-RING 19.1 X 1.6	
210	1	0663712000	O-RING	
220	2	1615767300	VALVE	
230	2	0663611400	O-ring	
240	1	1626824080	Regulating valve	
250	2	0301232100	WASHER M6	
260	2	0147125703	BOLT	

Tampering with noise control system prohibited.
Federal law prohibits the following acts or the causing thereof :

(1) The removal or rendering inoperative by any persons, other than for purposes of maintenance repair or replacement of any device or element of design incorporated into any new compressor for the purpose of noise control prior to its sale or delivery to the ultimate purchaser or while it is in use; or
(2) the use of the compressor after such device or element of design has been removed or rendered inoperative by any person.

Among those acts included in the prohibition against tampering are the acts listed below.

1. Removal or rendering inoperative any of the following:	2. Removal of any of the following:
a. engine exhaust muffler	a. sound absorptive material, including sealing strips on doors, panels and other canopy parts
b. cooling air exhaust and intake silencers	b. fan shroud
c. acoustic baffles	3. Operation of the compressor with any of the enclosure doors open
d. housing components, canopy, or bottom panel.	
e. engine or compressor mounts	
f. inlet air throttling system	

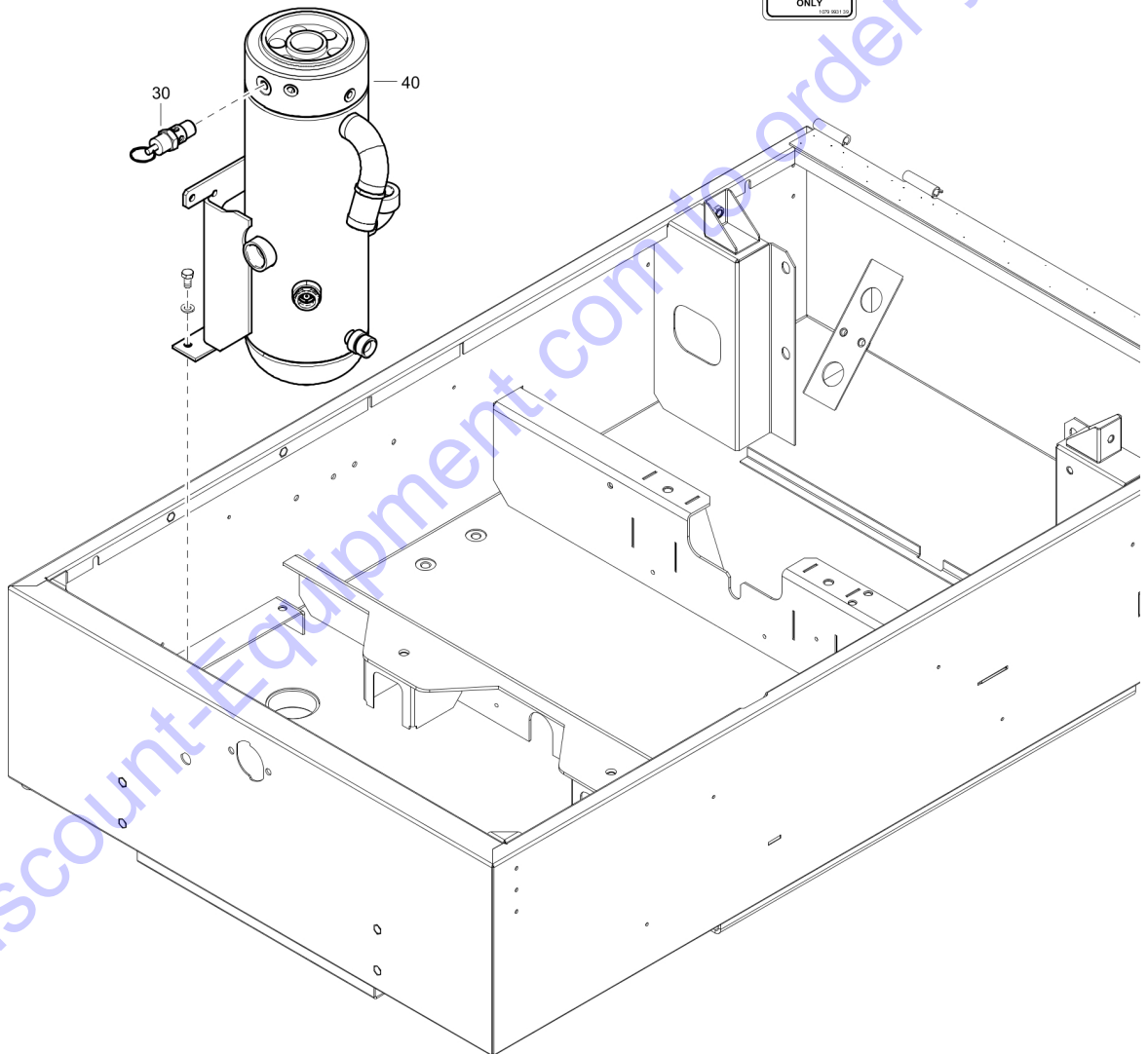
1376 9021 01

CALIFORNIA
Proposition 65 Warning
Diesel engine exhaust and some of its constituents are known to the State of California to cause cancer, birth defects, and other reproductive harm.
1376 9021 01

100

110

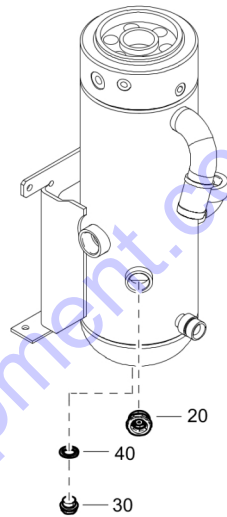
ULTRA LOW SULFUR FUEL ONLY
1376 9021 01



Go to Discount-Equipment.com to order your parts

Id	Qty	Number	Name	Specifications
30	1	0830100925	SAFETY VALVE ASME	
40	1	1638213380	VESSEL AIR	
100	1	1638530300	DECAL	
101	1	1079993186	LABEL:TAMPERING W/NOISE SYST	
110	1	1079993139	Decal	

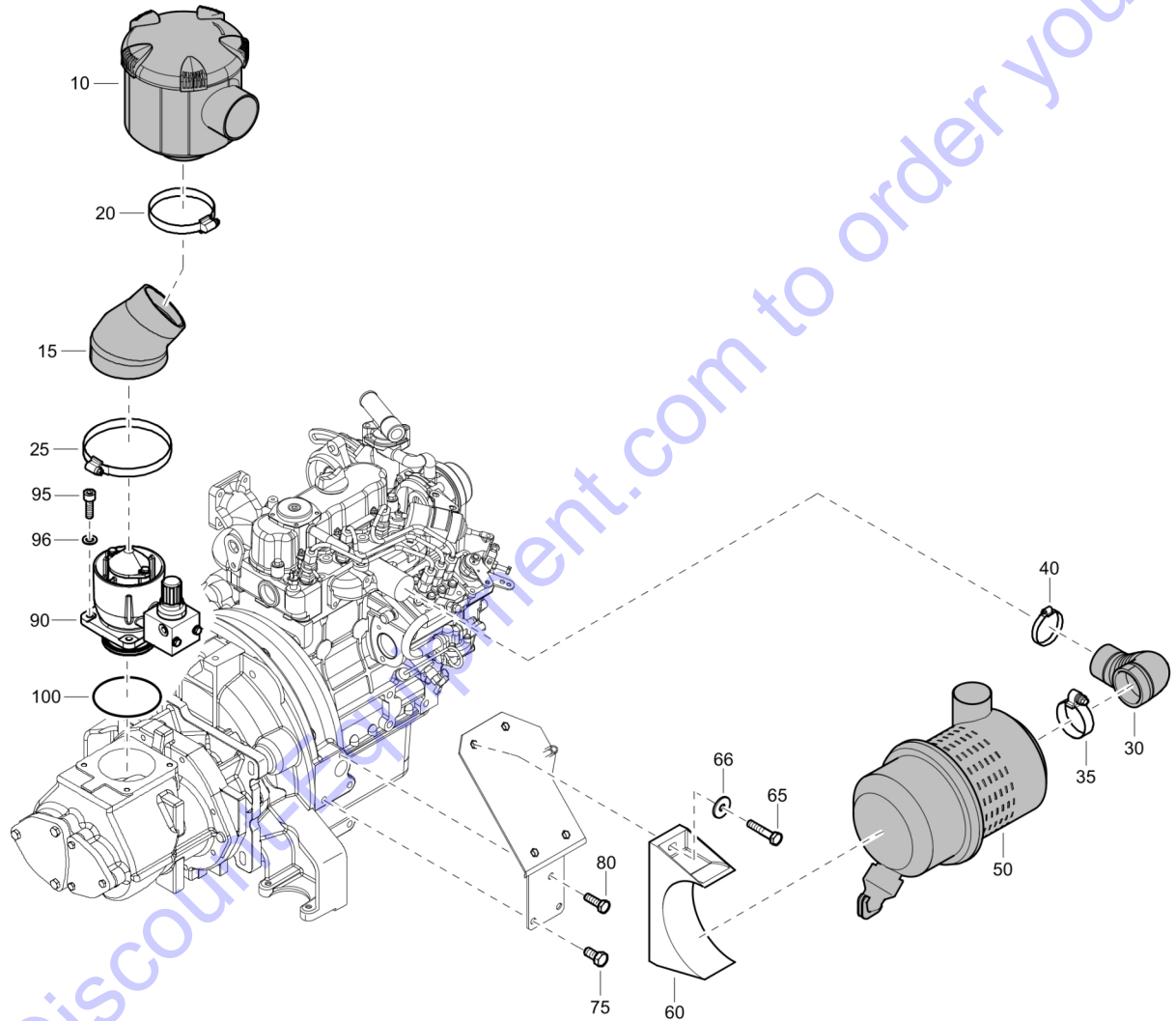
Go to Discount-Equipment.com to order your parts



Go to Discount-Equipment.com to order your parts

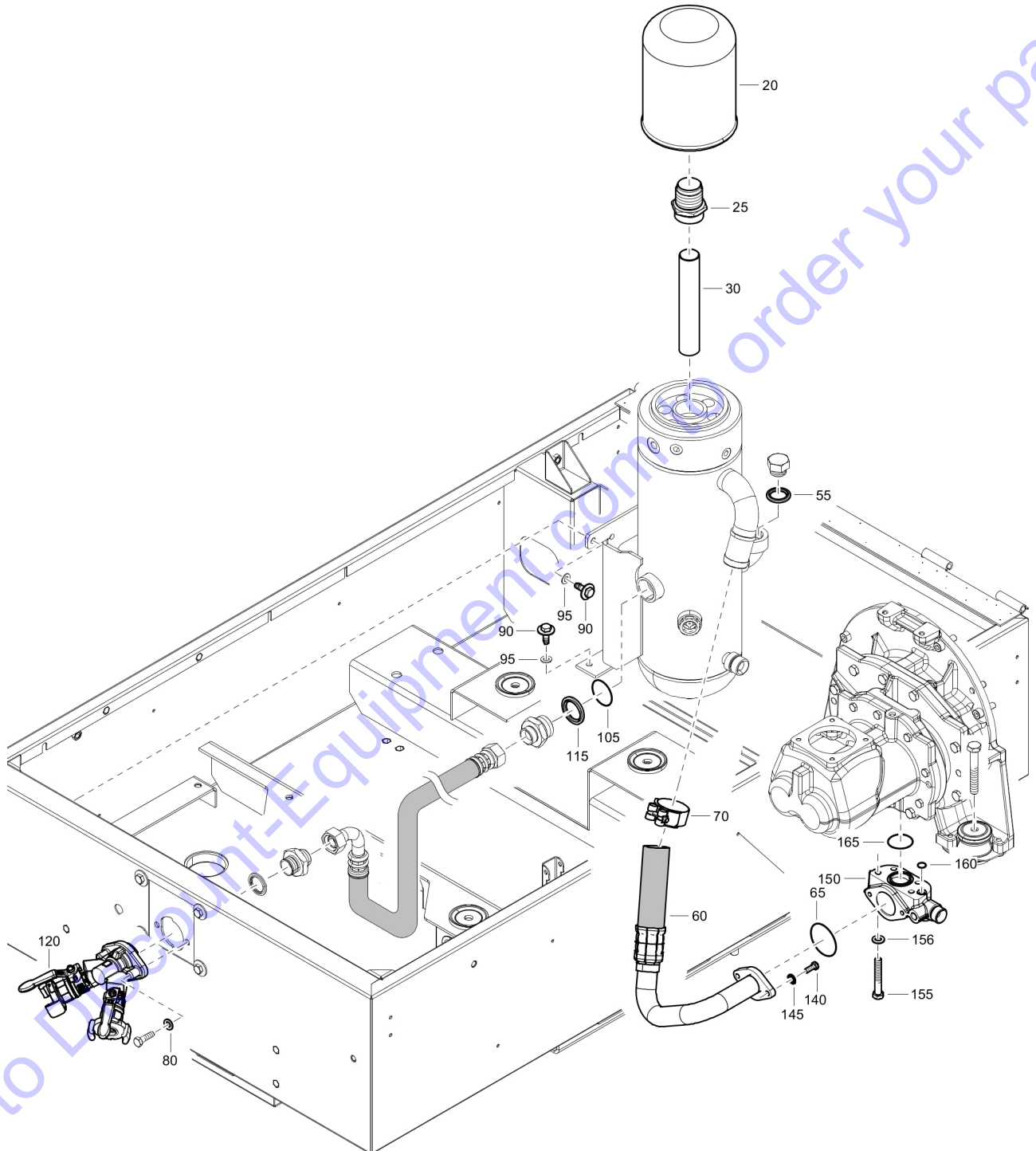
Id	Qty	Number	Name	Specifications
20	1	1638159400	SIGHT GLASS	
30	1	0686371638	PLUG	
40	1	0661100040	WASH SEAL 14.76	
50	1	0686371635	PLUG G 3/4 "	
60	1	0653116200	GASKET-FLAT:	

Go to Discount-Equipment.com to order your parts



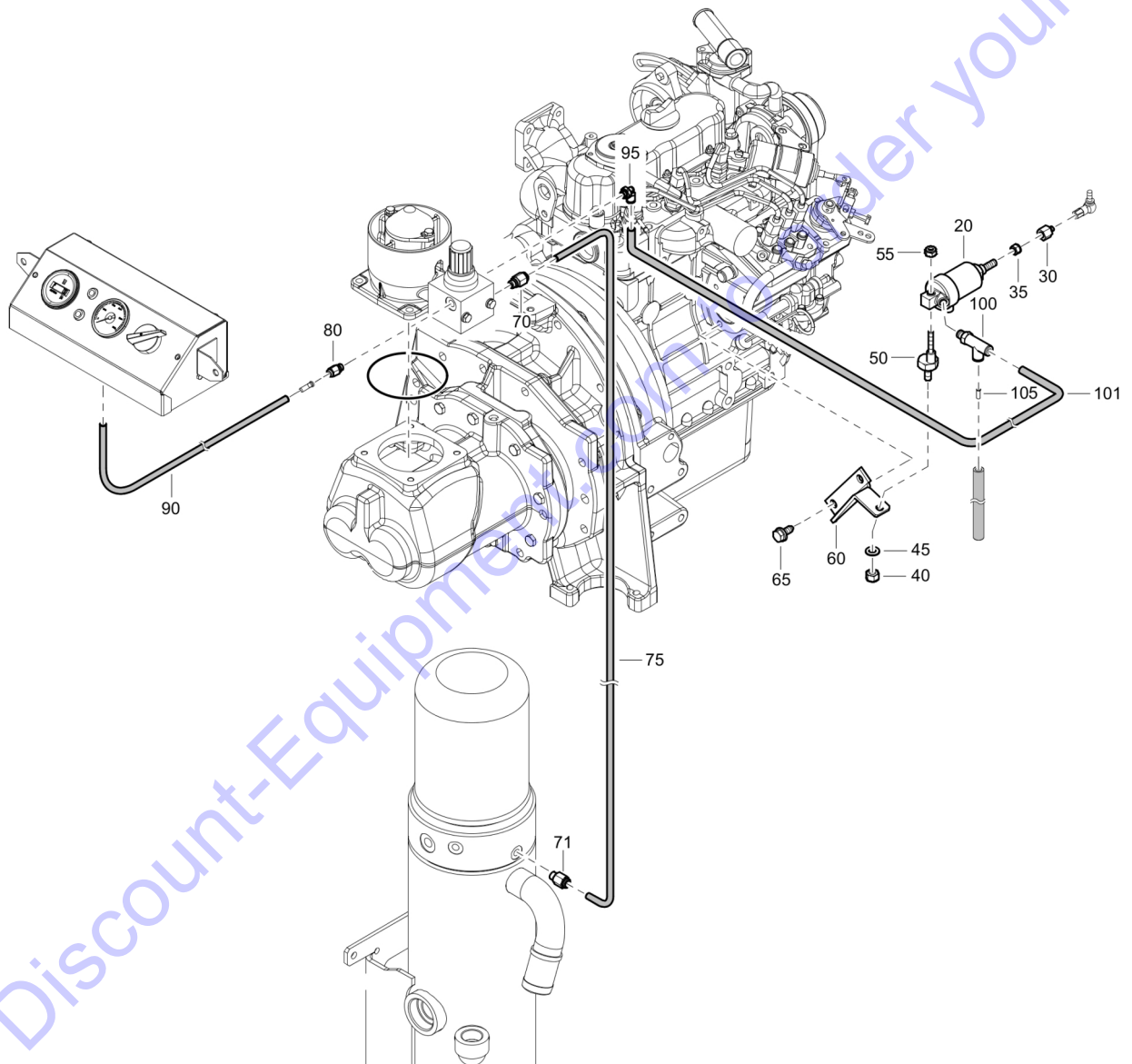
Id	Qty	Number	Name	Specifications
10	1	1625178636	FILTER AIR	
15	1	1626491702	Hose	
20	1	0347610004	HOSE CLAMP	
25	1	0347611500	HOSE CLIP	
30	1	1638159900	Hump hose	
35	1	0347611200	HOSE CLAMP-WORM GEAR:M40/50D	
40	1	0347611300	HOSE CLIP	
50	1	1626977700	FILTER AIR	
60	1	1615712500	SUPPORT	
65	2	0147132703	PARAF M8X35 DIN931 8.8 FZB	
66	2	0300801900	WASHER-FLAT:M 8.40/25.0X2.0T	
75	2	0144328403	SCREW	
80	1	0147132303	HEX SOCK. SCREW	
90	1	1638123180	UNLOADER ASSEMBLY	
95	4	0147132503	HEX. HEAD SCREW M8X25	
96	4	0301233500	PLAIN WASHER(A) 8.4 X 16 X 1.6	
100	1	0663210615	O-RING	

Go to Discount-Equipment.com to order your parts



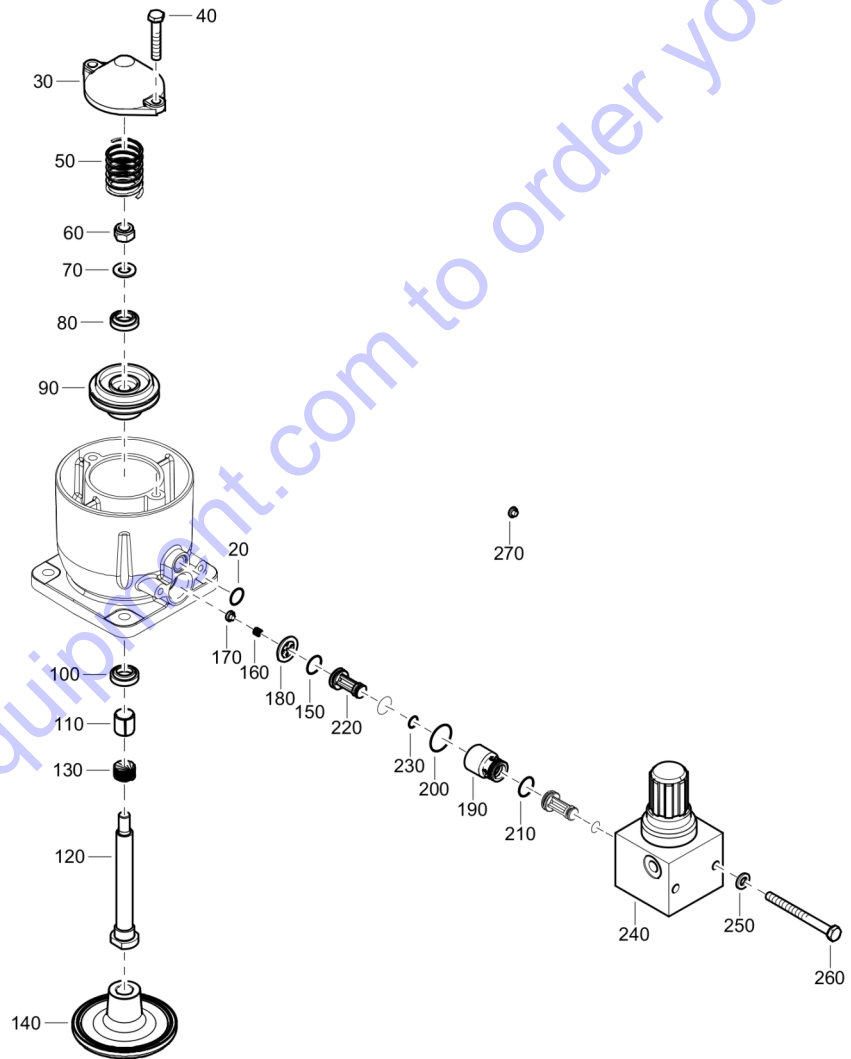
Id	Qty	Number	Name	Specifications
20	1	1626977800	SEPARATOR OIL MB	
25	1	1626823800	NIPPLE	
30	1	1626823701	PIPE	
55	1	0661100029	WASHER-SEAL:M 27.1IDX34.9OD	
60	1	1638167904	HOSE ASSEMBLY	
65	1	0663713400	O RING 49.5X3	
70	1	0347610055	HOSE CLIP	
80	2	0301233500	PLAIN WASHER(A) 8.4 X 16 X 1.6	
90	4	1615566400	HEXAGON BOLT	
95	4	0301233500	PLAIN WASHER(A) 8.4 X 16 X 1.6	
105	1	0663313100	O-RING	
115	1	0661104900	SEAL WASHER	
120	1	1638167880	MANIFOLD	Version: 1
140	2	0147132303	HEX SOCK. SCREW	
145	2	0333322700	LOCK WASHER	
150	1	1638113702	MANIFOLD	Version: 1
155	4	0147133103	HEXAGON BOLT	
156	4	0301233500	PLAIN WASHER(A) 8.4 X 16 X 1.6	
160	1	0663211135	O-RING	
165	1	0663313200	O-RING	

Go to Discount-Equipment.com to order your parts



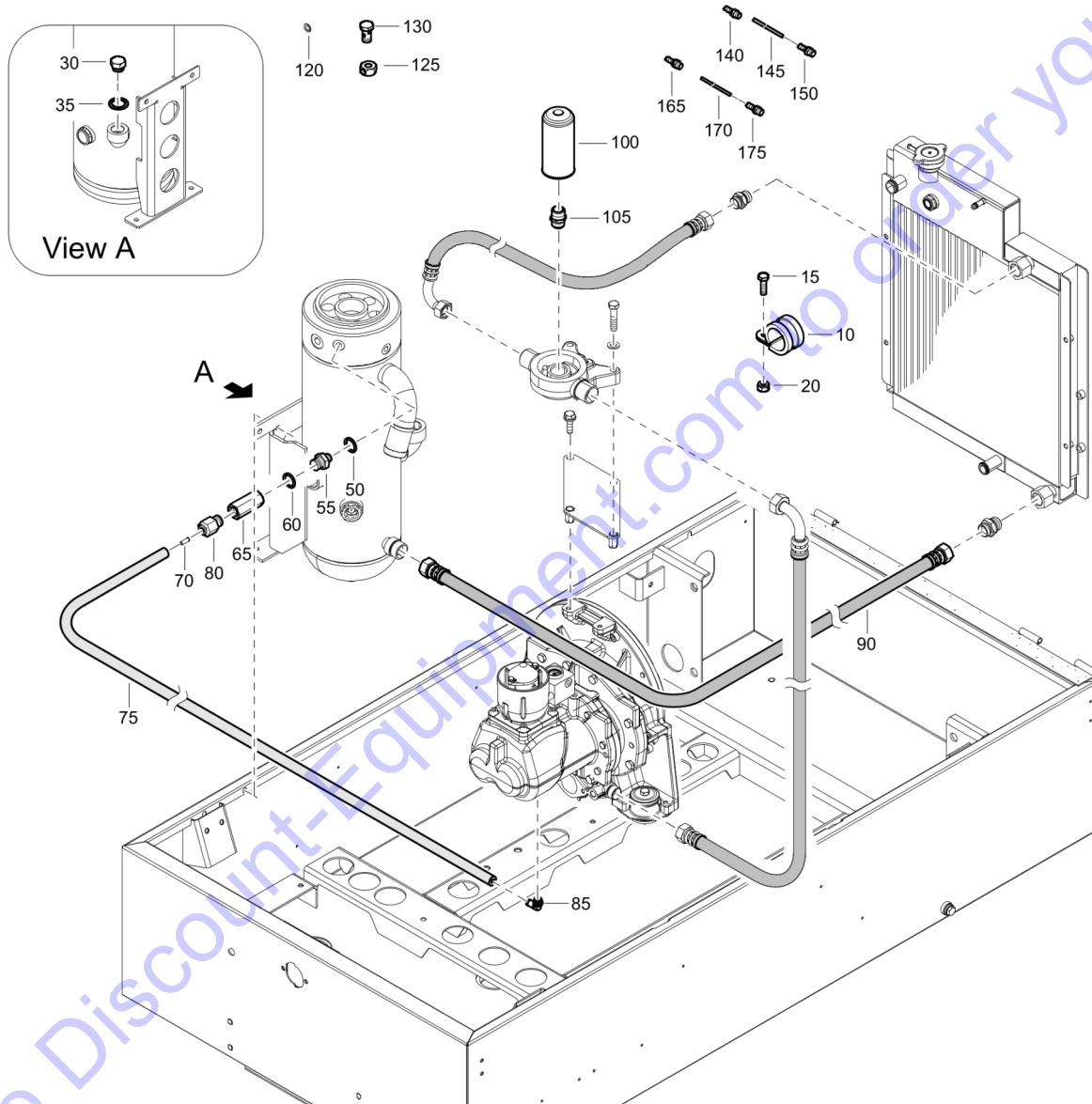
Id	Qty	Number	Name	Specifications
20	1	1626953700	ACTUATOR	
30	1	0324180069	SCREW HEXAGON	
35	1	0266210800	NUT M6 DIN934 CL8 FZB	
40	1	0266211000	NUT:M 8.0DX 6.8H HEX,ZN PLT,\$S	
45	1	0301233500	PLAIN WASHER(A) 8.4 X 16 X 1.6	
50	1	1626958200	SPACER	
55	1	0291112815	LOCKNUT: M6	
60	1	1626923401	BRACKET	
65	2	1619276600	SCR.BOLT M8X20	
70	1	0583810076	ELBOW COUPLING	
71	1	0583810076	ELBOW COUPLING	
75		0070600205	TUBE:M8.0ODX 5.5ID,BLACK	
80	2	0583810057	COUPLING	
90		0070600204	PLASTIC TUBE	
95	1	0583810057	COUPLING	
100	1	9090153500	L/T COUPLING G1/8 INCH 6MM	
101		0070600204	PLASTIC TUBE	
105	1	1626974001	NOZZLE	

Go to Discount-Equipment.com to order your parts

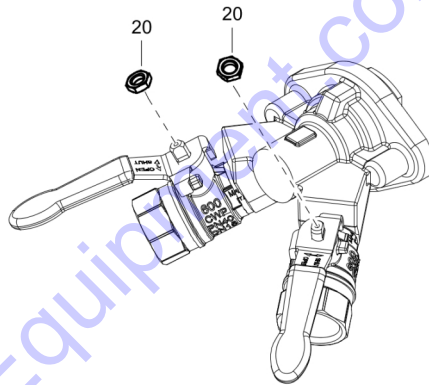


Id	Qty	Number	Name	Specifications
20	1	0663611800	O-RING	
30	1	1615766701	COVER	
40	2	0147125112	HEX. HEAD SCREW	
50	1	1615767201	SPRING	
60	1	0291111000	LOCKNUT	
70	1	0301233500	PLAIN WASHER(A) 8.4 X 16 X 1.6	
80	1	0665911000	WIPER	
90	1	1615875500	PISTON	
100	1	0665911000	WIPER	
110	1	0500451021	PLAIN BEARING	
120	1	1638123200	ROD PISTON	
130	1	1604038801	SPRING	
140	1	1638123302	VALVE REGUL.	
150	1	0663711900	O-RING 12.1X1.6	
160	1	1626032700	SPRING	
170	1	1604038900	SEAT	
180	1	1615834600	RETAINER	
190	1	1615834501	BUSHING	
200	1	0663712600	O-RING 19.1 X 1.6	
210	1	0663712000	O-RING	
220	1	1615767300	VALVE	
230	1	0663611400	O-ring	
240	1	1626824081	VALVE REGUL.	
250	2	0301232100	WASHER M6	
260	2	0147125703	BOLT	
270	1	1604038900	SEAT	

Go to Discount-Equipment.com to order your parts

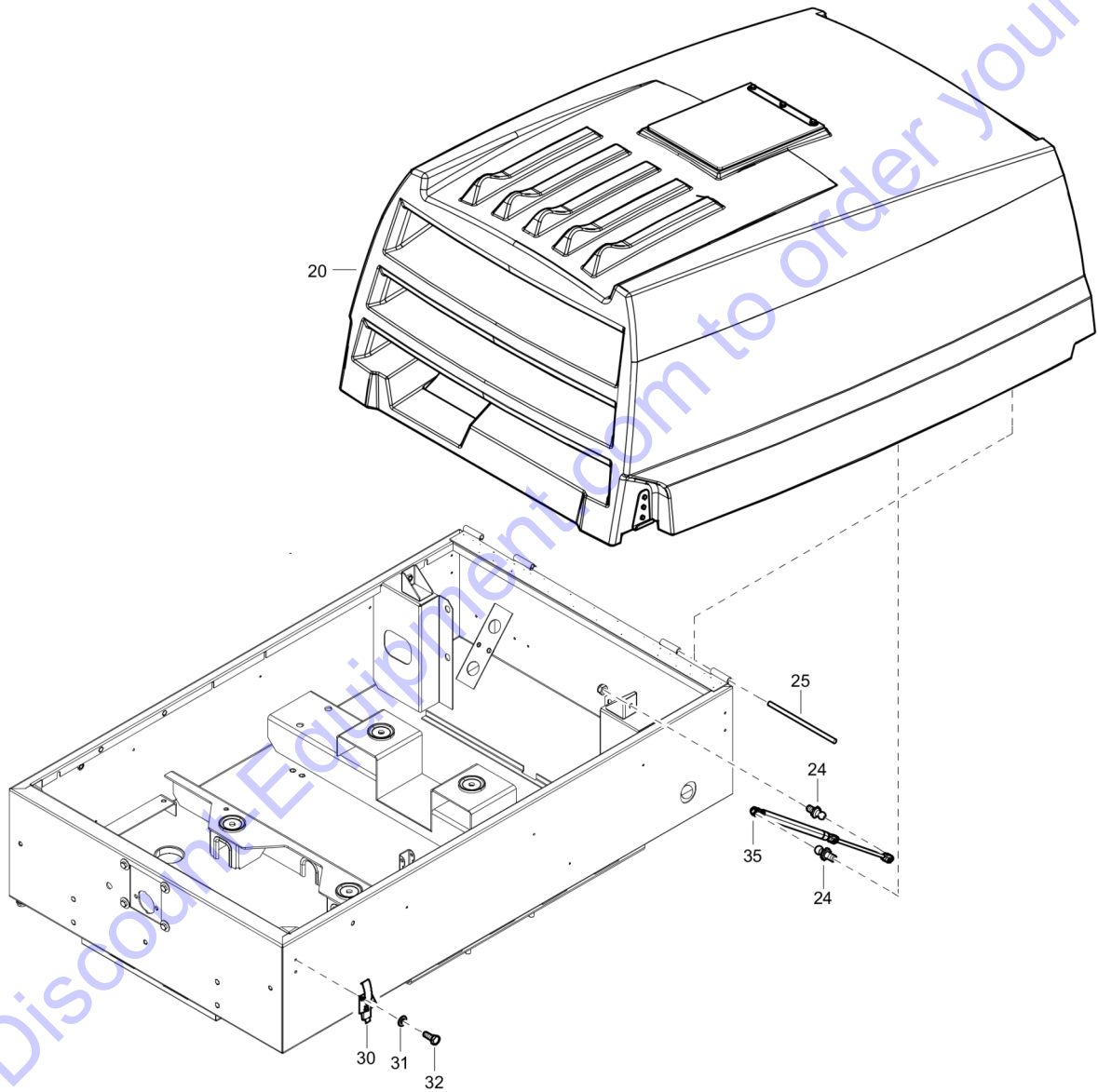


Id	Qty	Number	Name	Specifications
10	1	0346100210	CLAMP	
15	1	0147132503	HEX. HEAD SCREW M8X25	
20	1	0291112818	LOCK NUT M8 DIN985 CL8 FZB	
30	1	0686371630	PLUG:G3/8,HEXHD	
35	1	0653110000	GASKET-FLAT:M 17.0/ 21.0X1.5	
50	1	0653106200	GASKET 13 X 20 X 1.5	
55	1	0603420026	FITTING	
60	1	0653106200	GASKET 13 X 20 X 1.5	
65	1	0823005009	VALVE CHECK	
70	1	1626974001	NOZZLE	
75		0070600248	HOSE TUBO RILSAN 6X4 TRASP.	
80	1	0583810152	FITTING PIPE	
85	1	0583812100	FITTING PIPE THREADED ELBOW 90	
90	1	1638147102	HOSE ASSEMBLY	
100	1	6211472200	OIL FILTER, EKOMAK BRANDED	
105	1	1619377001	NIPPLE	
120	2	0653112800	GASKET 22 X 27 X 1.5	
125	1	1638255100	NIPPLE	
130	1	0627420012	PRESSURE SCREW	
140	1	0571002034	HOSE NIPPLE	
145		0075402569	HOSE:3/8" PUSH-LOK	
150	1	0571002034	HOSE NIPPLE	
165	1	0571002034	HOSE NIPPLE	
170		0075402569	HOSE:3/8" PUSH-LOK	
175	1	0571002034	HOSE NIPPLE	



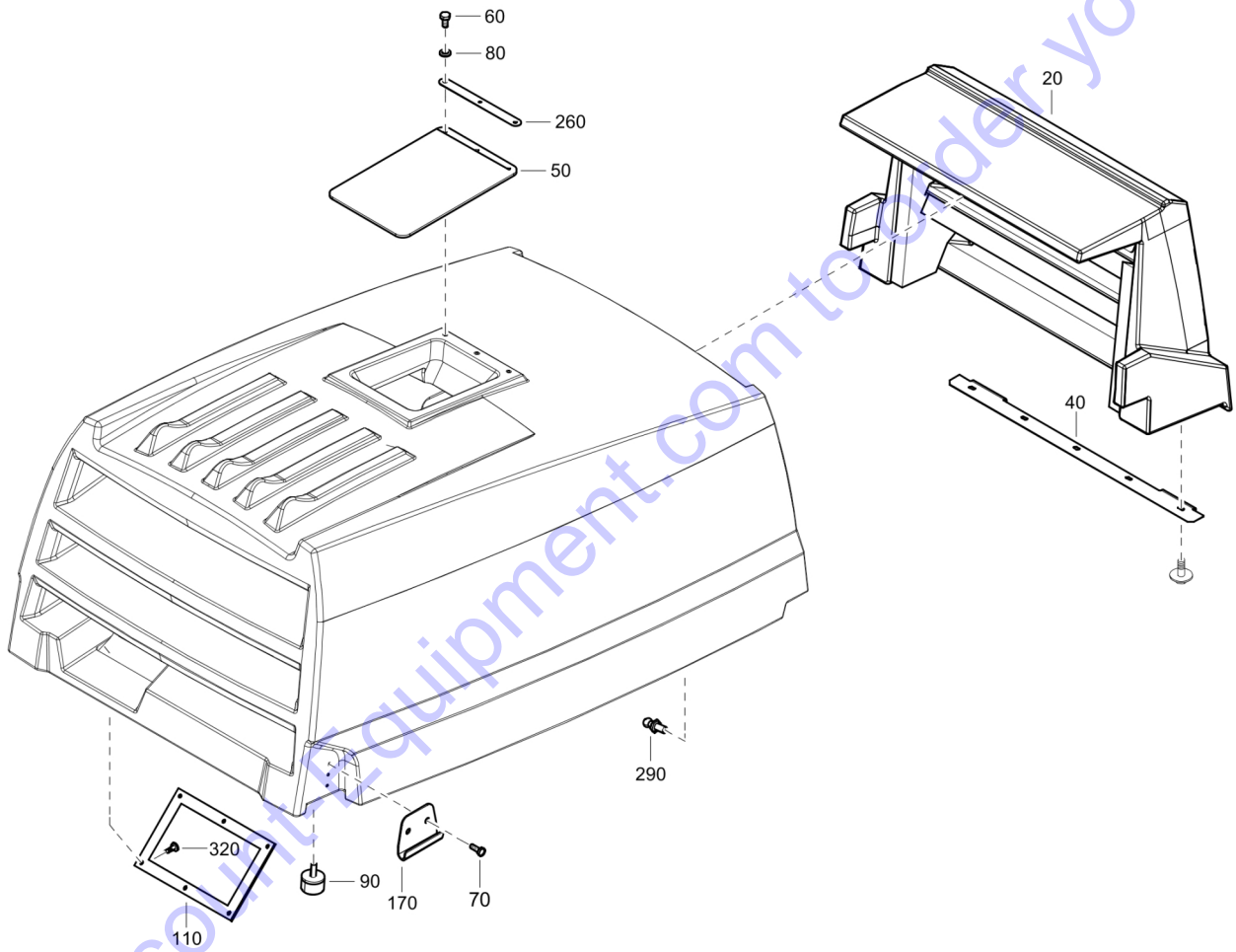
Id	Qty	Number	Name	Specifications
20	2	0261210800	NUT M6	

Go to Discount-Equipment.com to order your parts



Id	Qty	Number	Name	Specifications
20	1	1638195785	HOOD	
24	2	1626310800	BALL STUD	
25	2	1605002501	ROD:HINGE PIN	
30	2	1604627600	LATCH:PE CANOPY XAS 185	
31	4	0301232100	WASHER M6	
32	4	0147124403	BOLT M6*12 FZB	
35	2	1638230300	Actuator	

Go to Discount-Equipment.com to order your parts

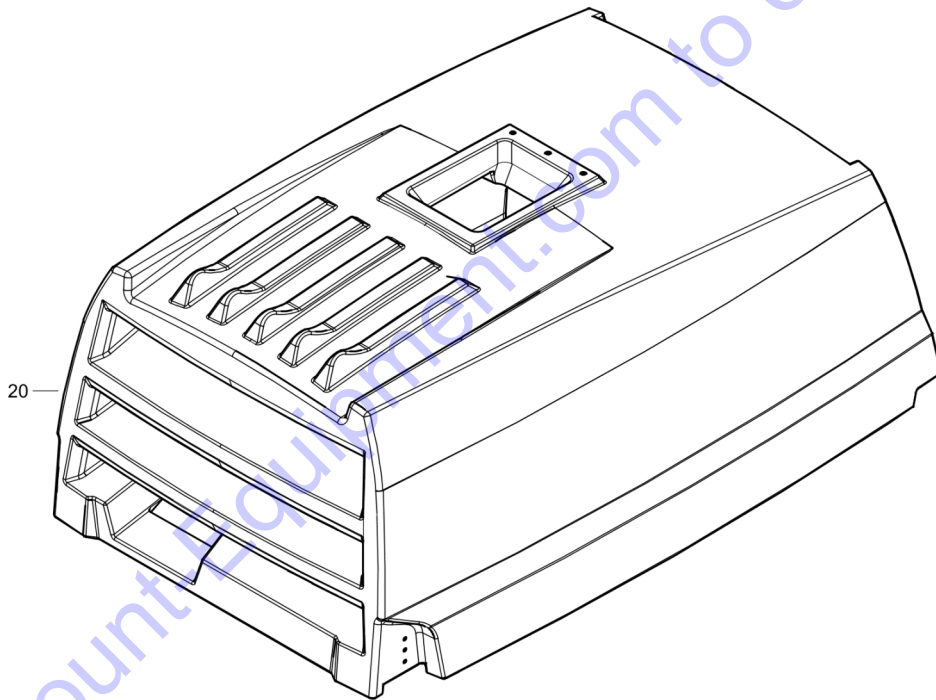


Id	Qty	Number	Name	Specifications
20	1	1638043580	BAFFLE	
40	1	1638053101	HINGE -	
50	1	1626771802	RAIN FLAP	
60	3	0147124403	BOLT M6*12 FZB	
70	6	0147120503	HEX. HEAD SCREW	
80	3	0301232100	WASHER M6	
90	2	1604186900	BUFFER:M6 THD, 25M OD, 60SH	
110	1	1638091001	COVER PROTECT.	
170	2	1638124500	Catch	
260	1	1638225600	BRACKET	
290	2	1626310800	BALL STUD	
320	6	0226333012	Screw set	

Go to Discount-Equipment.com to order your parts

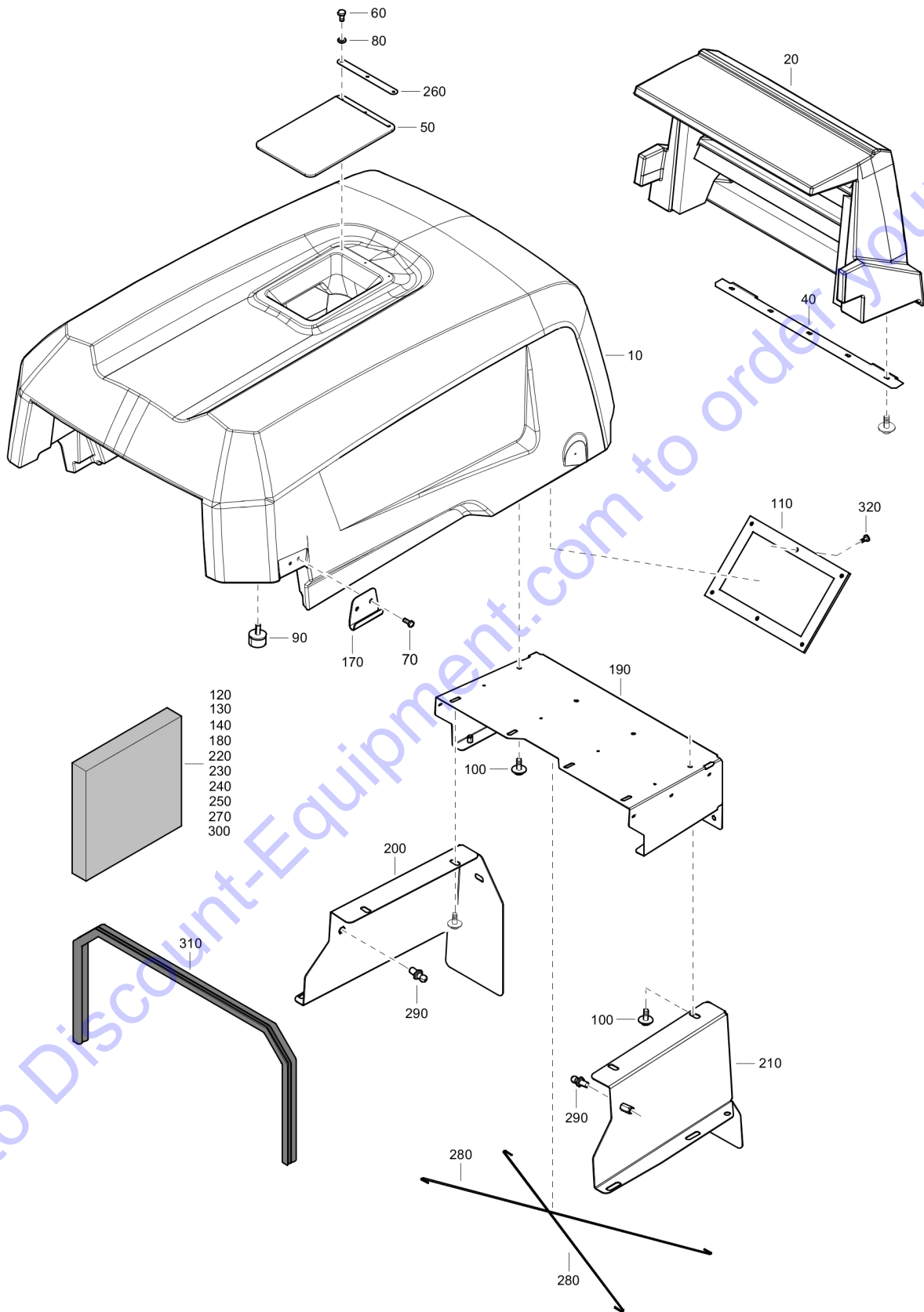
A20 — 

A50 — 

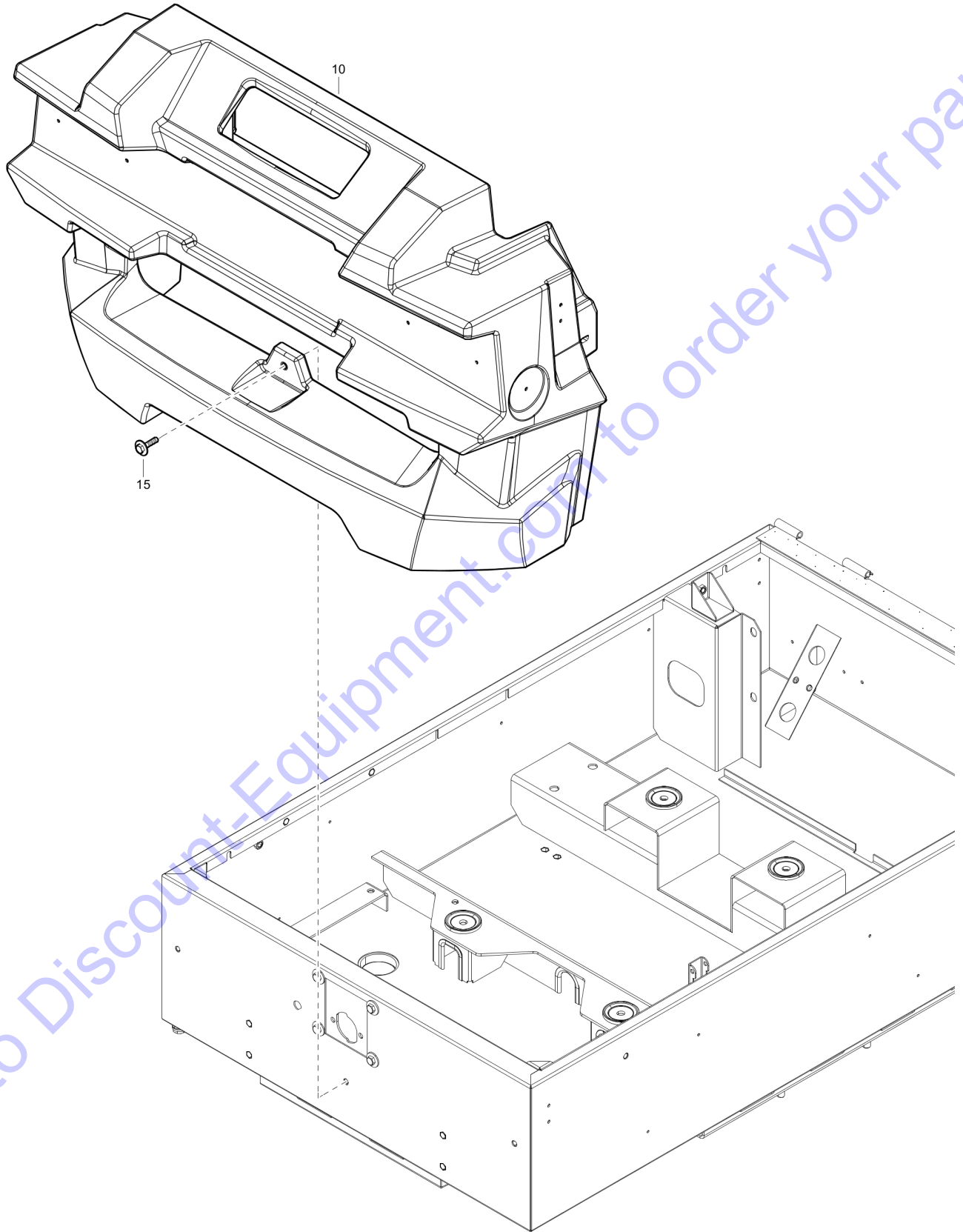


Id	Qty	Number	Name	Specifications
A20	2	1638093600	Insert	
A50	3	1638093400	Insert	

Go to Discount-Equipment.com to order your parts

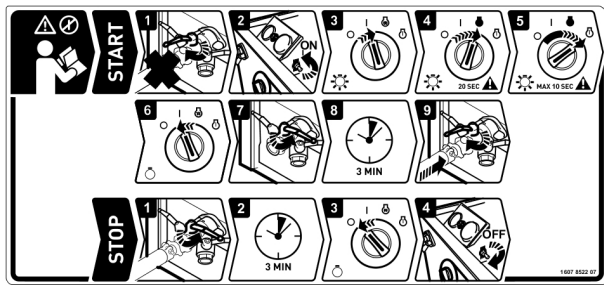


Id	Qty	Number	Name	Specifications
10	1	1638288300		Version: 00
20	1	1638043580	BAFFLE	
40	1	1638053101	HINGE -	
50	1	1626771802	RAIN FLAP	
60	3	0147124403	BOLT M6*12 FZB	
70	6	0147120503	HEX. HEAD SCREW	
80	3	0301232100	WASHER M6	
90	2	1604186900	BUFFER:M6 THD, 25M OD, 60SH	
100	25	1615566400	HEXAGON BOLT	
110	1	1638091001	COVER PROTECT.	
120	1		Insulation silencing (30 mm)	
130	1		Insulation silencing (30 mm)	
140	2		Insulation silencing (30 mm)	
170	2	1638124500	Catch	
180	1	1638101200	Insulation silencing	
190	1	1638226900	PLATE BACK	
200	1	1638227000	PLATE BACK	
210	1	1638227100	PLATE BACK	
220	1		Insulation silencing (30 mm)	
230	1		Insulation silencing (30 mm)	
240	1		Insulation silencing (30 mm)	
250	1		Insulation silencing (30 mm)	
260	1	1638225601	Bracket	
270	1		Insulation silencing (30 mm)	
280	2	1638268101	Guard	
290	2	1626310800	BALL STUD	
300	1		Insulation silencing (30 mm)	
310	1	1604431700	SEAL	
320	6	0226333012	Screw set	
-		1079000332	SILENCING FOAM	

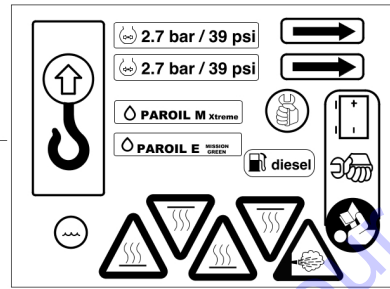


Id	Qty	Number	Name	Specifications
10	1	1638713181	Bumper	
15	5	1604646600	BOLT	

Go to Discount-Equipment.com to order your parts



15



40



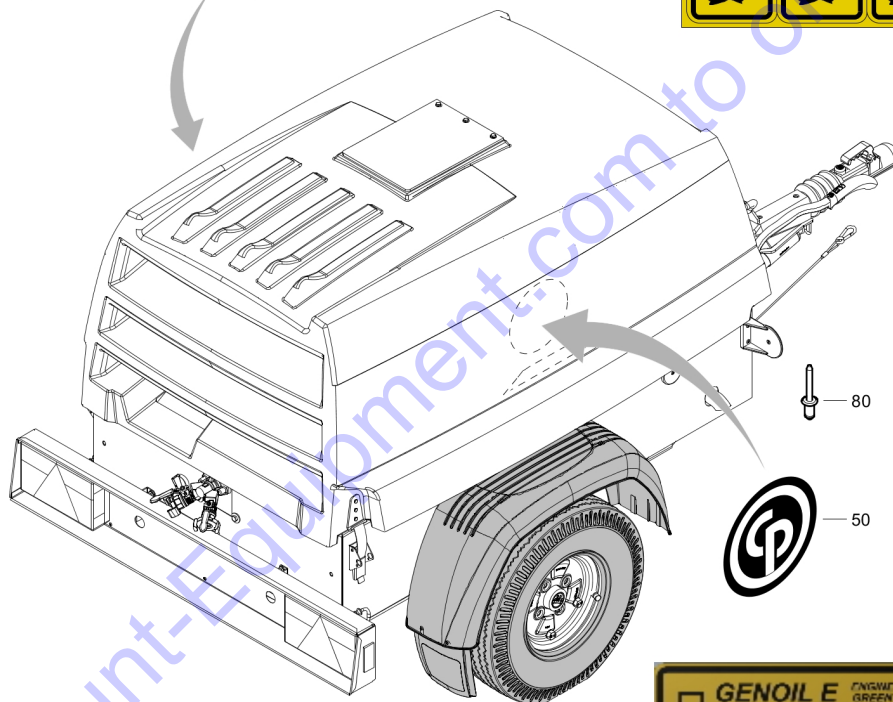
110



50



100



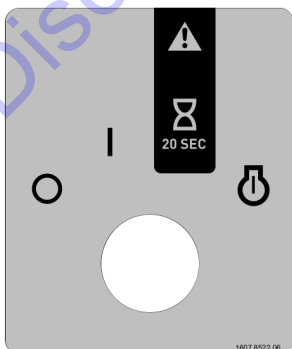
80



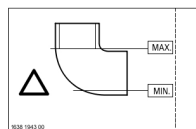
50



120



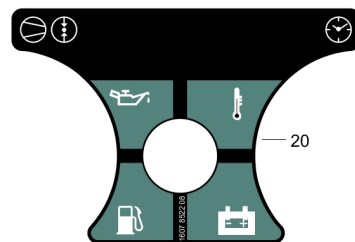
10



90



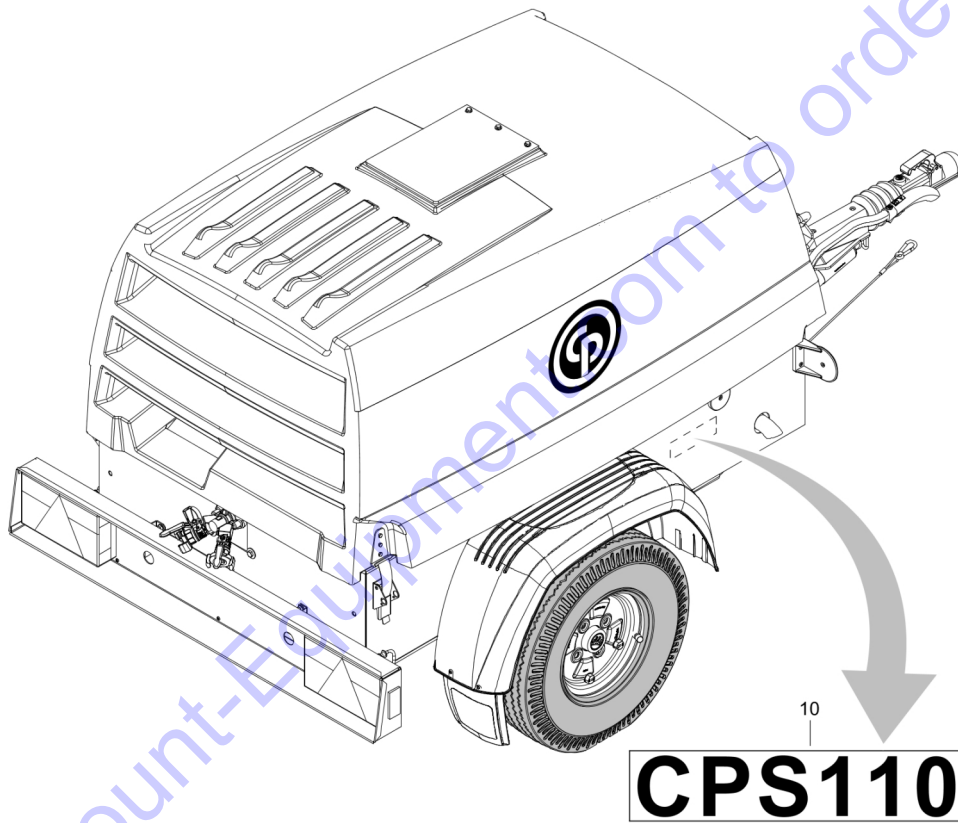
30



20

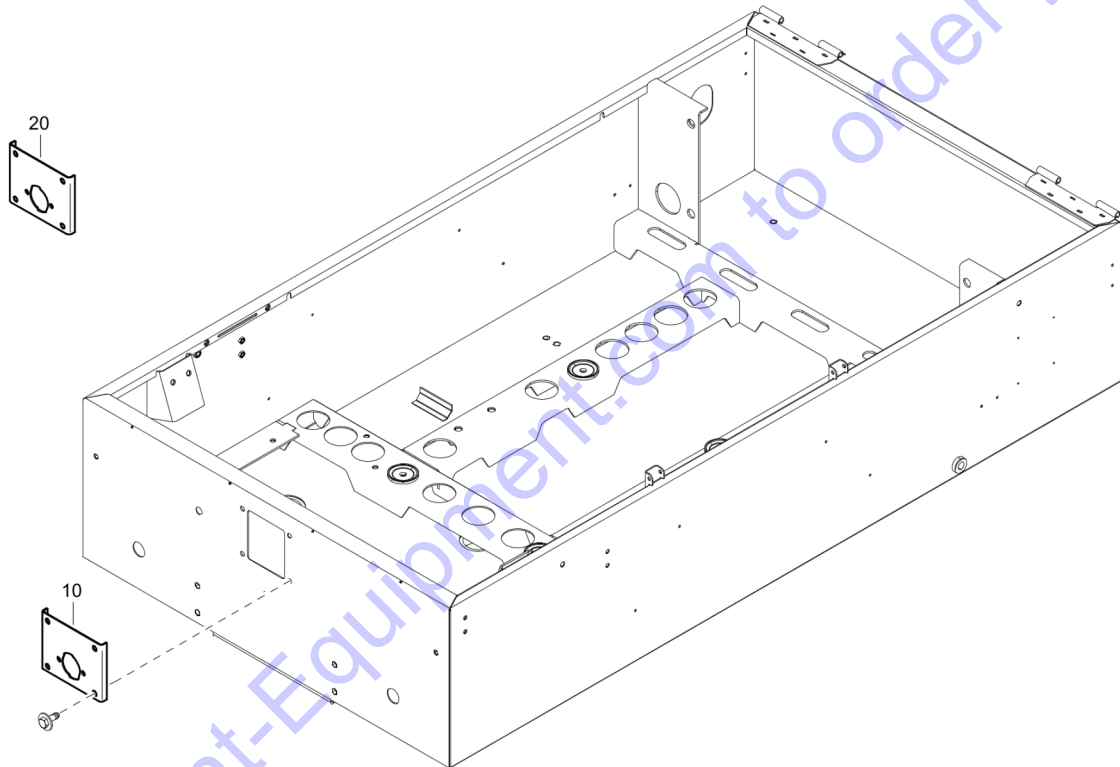
Id	Qty	Number	Name	Specifications
10	1	1607852206	DECAL START BUTTON	
15	1	1607852207	DECAL START BUTTON	
20	1	1607852208	DECAL CONTROL PANEL	
30	1	1638247300	DECAL WARNING	
40	1	1638246902	DECAL SYMBOLS	
50	2	1626537307	LABEL CP LOGO 8.5"	
80	4	0129327034	RIVET	
90	1	1638194300	DECAL INSTRUCT.	
100	1	1638766800	TIE DOWN MARKTING	
110	1	1638271800	GENOIL M LABEL	
120	1	1638442700	GENOIL E ENGINE GREEN LABEL	

Go to Discount-Equipment.com to order your parts



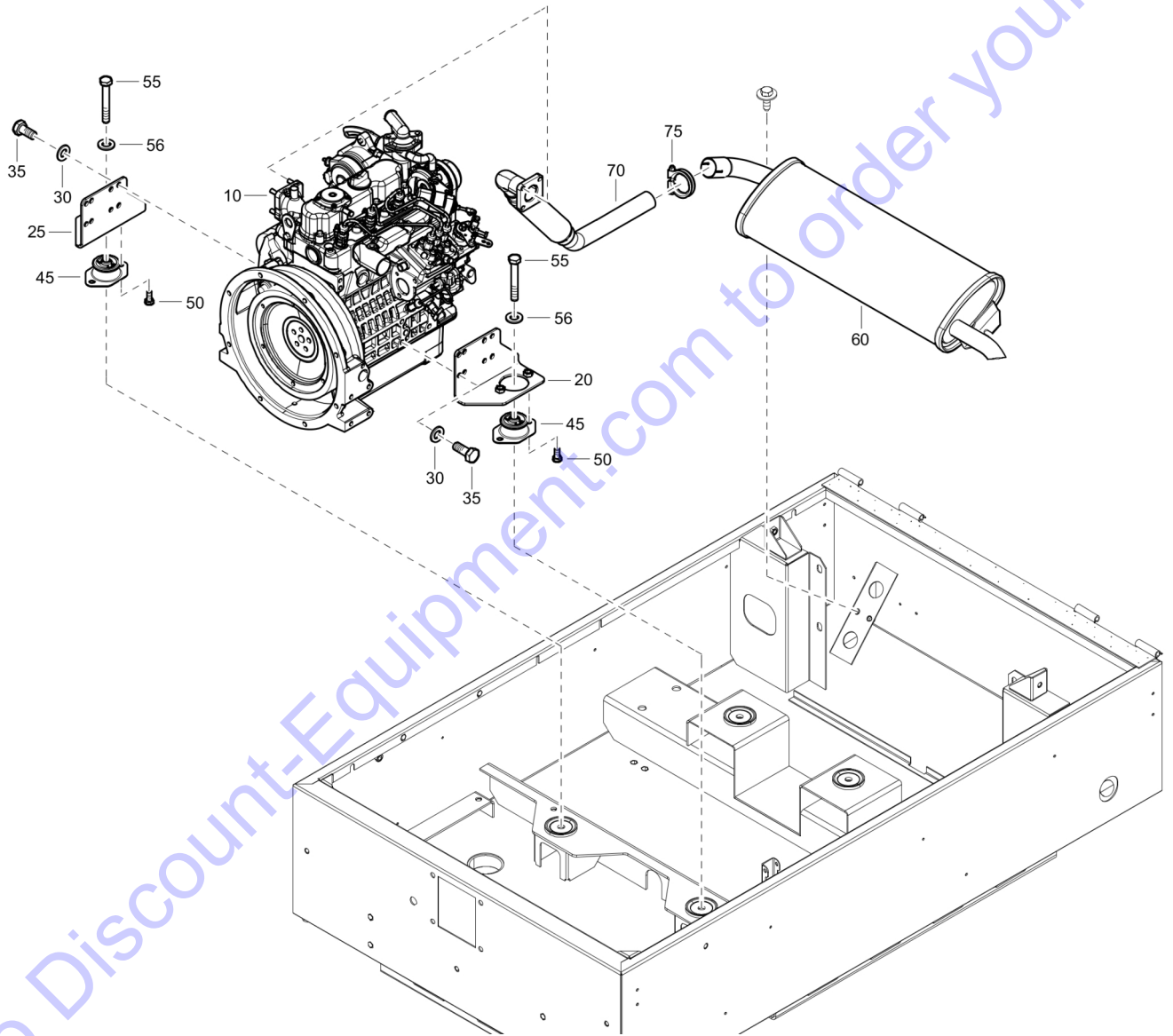
Id	Qty	Number	Name	Specifications
10	2	1638249205	DECAL UNIT	

Go to Discount-Equipment.com to order your parts



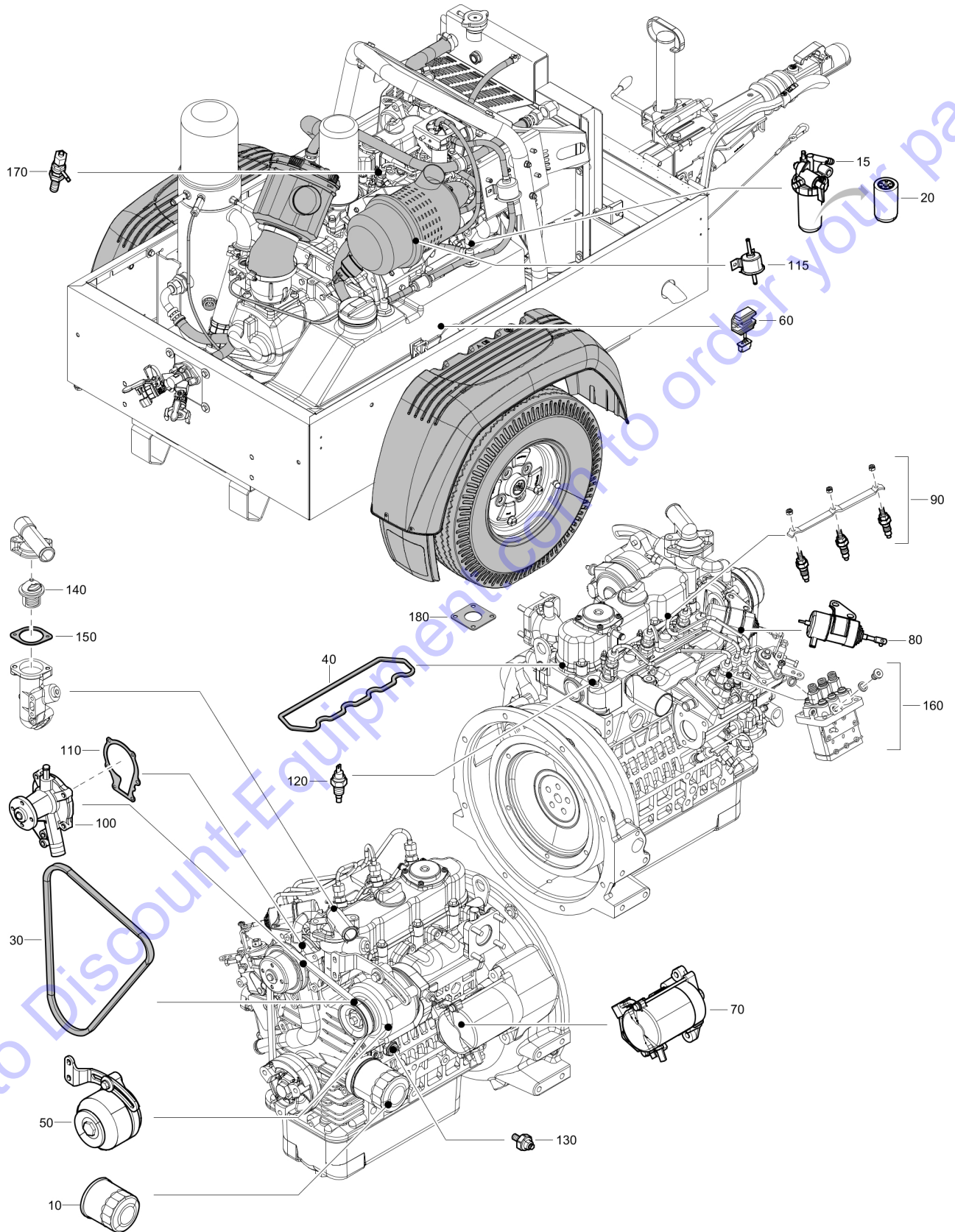
Id	Qty	Number	Name	Specifications
10	1	1638183301	Plate cover	
20	1	1638183301	Plate cover	

Go to Discount-Equipment.com to order your parts



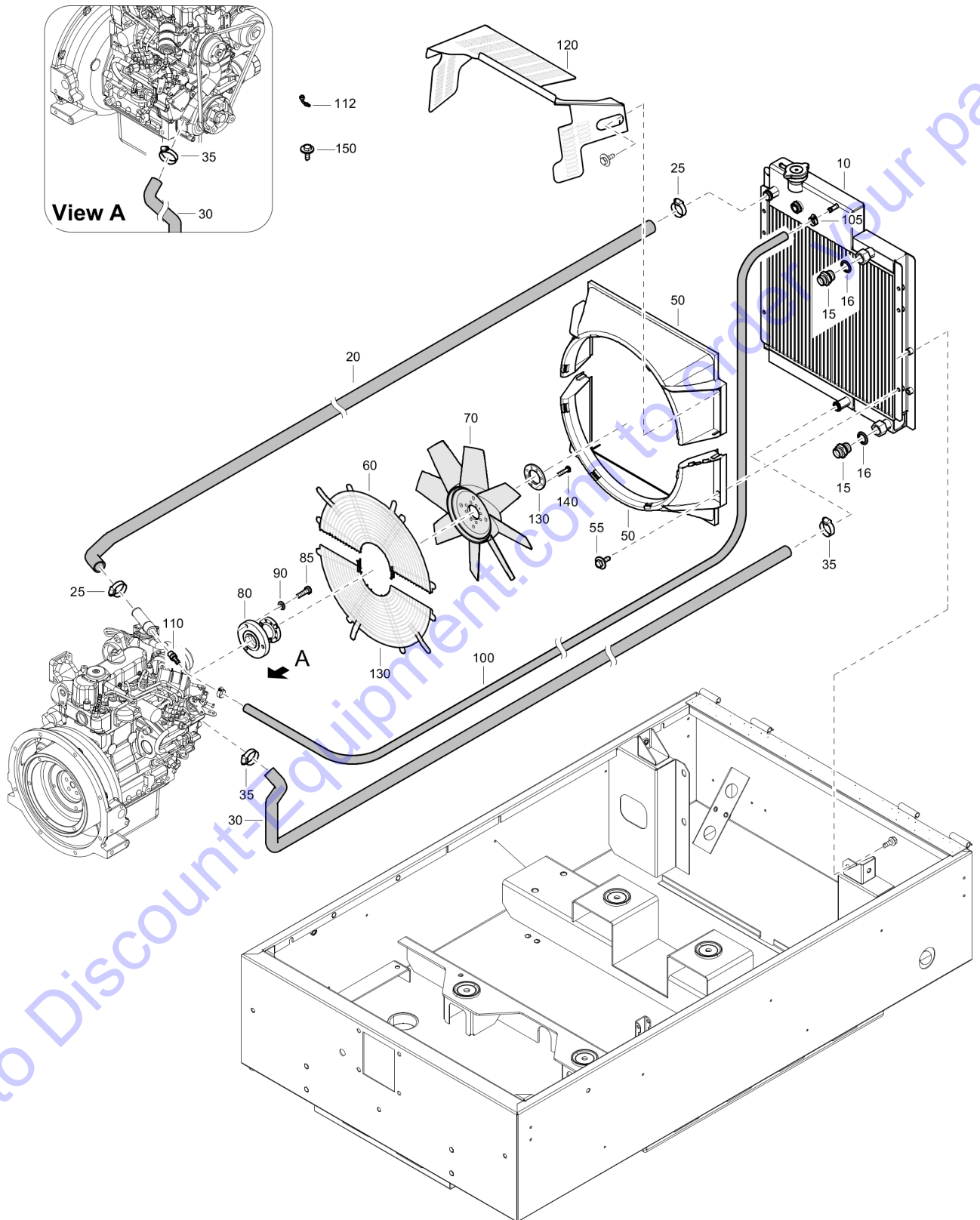
Id	Qty	Number	Name	Specifications
10	1	1638128600	ENGINE D902	
20	1	1638141500	SUPPORT (ENGINE)	
25	1	1638141400	SUPPORT (ENGINE)	
30	8	0301234400	WASHER PLAIN	
35	8	0147195945	HEX. HEAD SCREW	
45	2	1604186600	ANTIVIBRATION PAD	
50	4	0147195874	SCREW:M10 X 20 HEX HD ZP	
55	2	0147137103	SCREW:M10 X 70;HEX HD	
56	2	0301234400	WASHER PLAIN	
60	1	1638137702	MUFFLER	
70	1	1638284600	PIPE	
75	1	0346300115	CLAMP PIPE	

Go to Discount-Equipment.com to order your parts



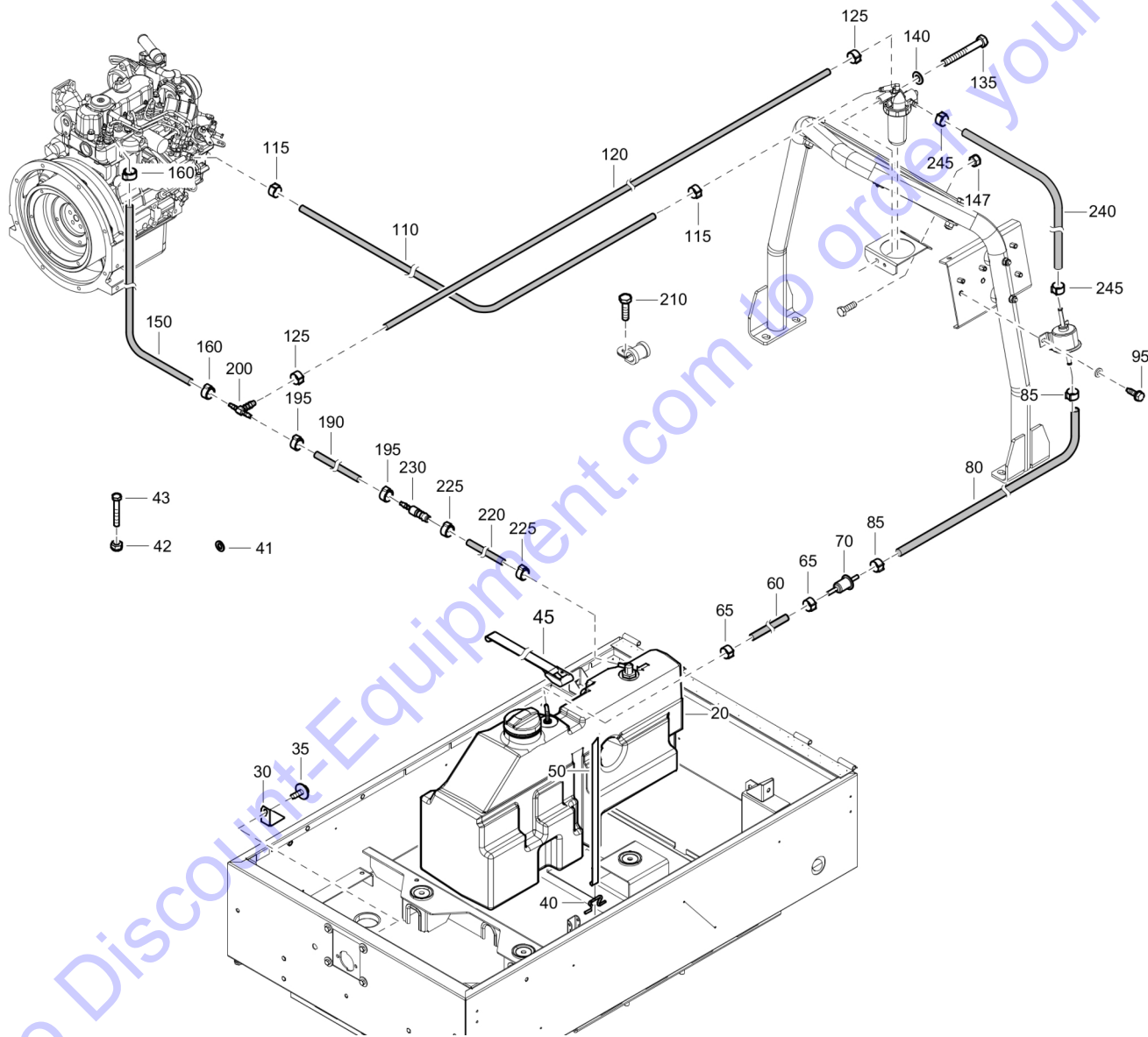
Id	Qty	Number	Name	Specifications
10	1	2913318000	OIL FILTER	
15	1	2913320200	FILTER FUEL	
20	1	2913318100	FUEL FILTER	
30	1	2913318200	V-BELT	
40	1	2913320201	GASKET ROCKER COVER	
50	1	2913300000	DYNAMO ASSY	
60	1	2913313100	VOLTAGE REGULATOR	
70	1	2913318500	Starter motor	
80	1	2913318600	Fuel stop solenoid	
90	3	2913320202	PREHEAT PLUGS	
100	1	2913318700	Pump, Water	
110	1	2913318800	GASKET WATER PUMP	
115	1	2913308600	ELECTRICAL FUEL PUMP	
120	1	2913309900	COOLANT TEMP. SWITCH	
130	1	2913310000	OIL PRESSURE SWITCH	
140	1	2913304800	ASSY THERMOSTAT	
150	1	2913312200	GASKET THERMOSTAT	
160	1	2913319100	Pump injection assembly	
170	3	2913320203	INJECTOR	
180	1	2913305900	GASKET.MUFFLER NA	

Go to Discount-Equipment.com to order your parts

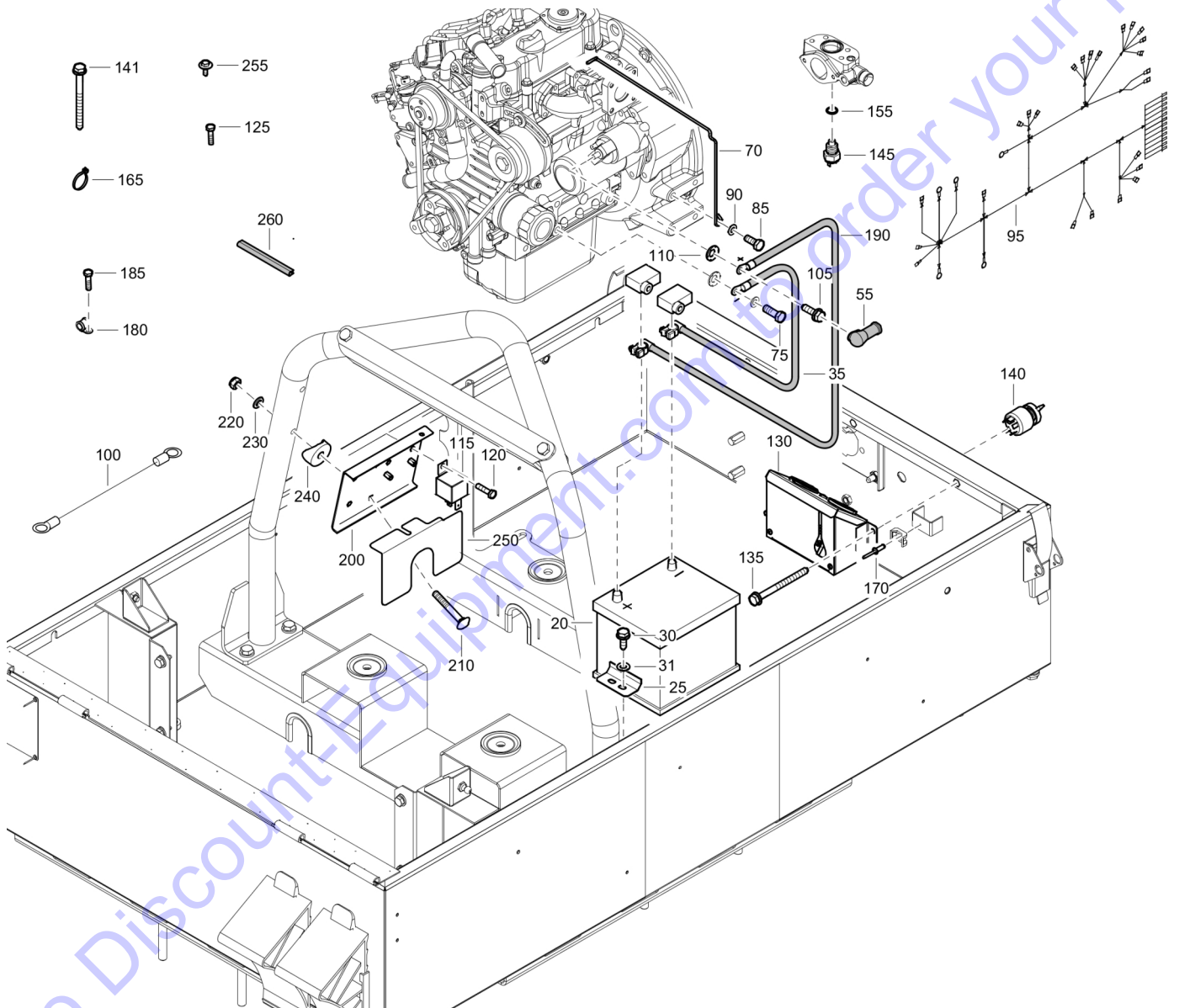


Id	Qty	Number	Name	Specifications
10	1	1638146505	COOLER	
15	2	1079584029	NIPPLE M26 - G3/4"	
16	2	0661103800	SEALING WASHER	
20		0075402606	HOSE	
25	2	0347610900	CLAMP	
30	1	1638247000	HOSE	
35	2	0347610800	CLAMP-HOSE:M25/32D WORM TYPE	
50	2	1202866900	FAN COWL	
55	4	1615566400	HEXAGON BOLT	
60	2	1202867001	FAN GUARD	
70	1	1604584800	FAN	
80	1	1638135201	ADAPTER FAN	
85	3	0147132503	HEX. HEAD SCREW M8X25	
90	3	0301233500	PLAIN WASHER(A) 8.4 X 16 X 1.6	
100		0075402569	HOSE:3/8" PUSH-LOK	
105	1	0347610400	HOSE CLAMP	
110	1	3176382900	STRAIGHT NIPPLE	
112	1	1604138400	HOSE NIPPLE	
120	1	1638207201	PLATE COVER	
130	1	1615769000	RING	
140	8	0147124903	HEXAGON BOLT	
150	4	1615566400	HEXAGON BOLT	

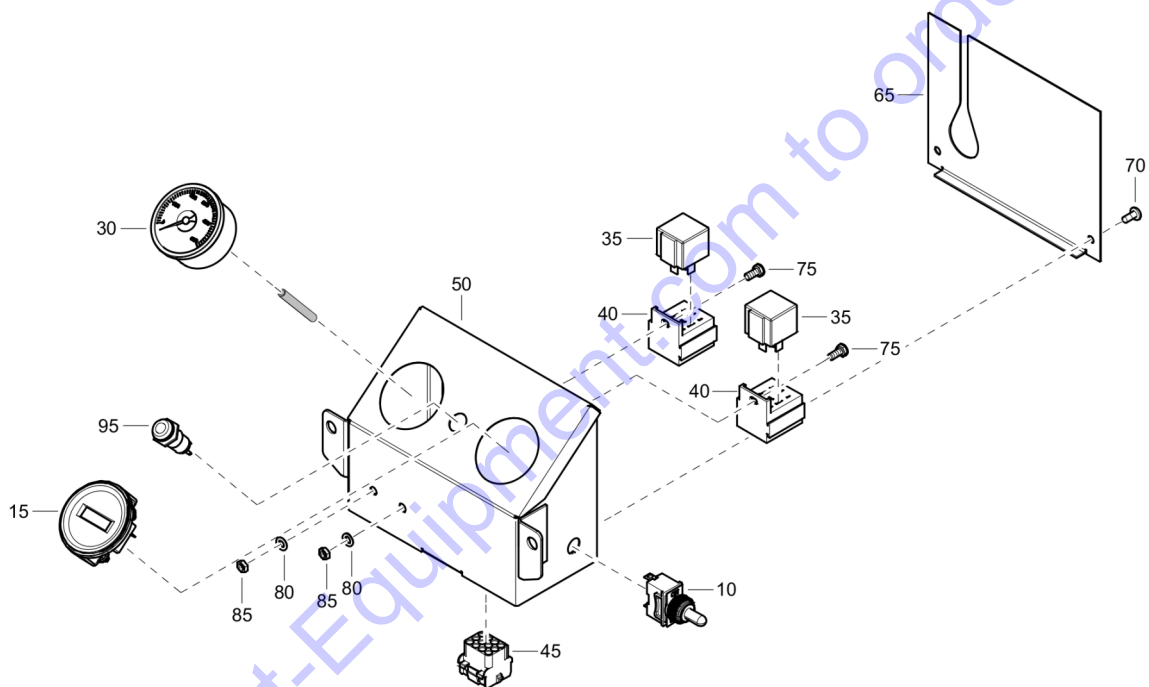
Go to Discount-Equipment.com to order your parts



Id	Qty	Number	Name	Specifications
20	1	1626878381	TANK FUEL	
30	1	1626928001	BRACKET	
35	1	1615566400	HEXAGON BOLT	
40	1	1626360700	RETAINER	
41	2	0301232100	WASHER M6	
42	1	0291110800	LOCK NUT M6	
43	1	0147125403	HEX.SCREW M6X50 MM FZB	
45	1	1616461401	BAND:NYLON W/BUCKLE,FUEL TANK	
50	1	1604942501	STRAP	
60		0075402599	HOSE	
65	2	1604413700	HOSE CLIP	
70	1	1604579200	PREFILTER	
80		0075402599	HOSE	
85	2	1604413700	HOSE CLIP	
95	2	1619589801	HEXAGON BOLT	
110		0075402599	HOSE	
115	2	1604413700	HOSE CLIP	
120		0075402599	HOSE	
125	2	1604413700	HOSE CLIP	
135	1	0147133303	HEX. HEAD SCREW	
140	1	0301233500	PLAIN WASHER(A) 8.4 X 16 X 1.6	
147	2	0266211000	NUT:M 8.0DX 6.8H HEX,ZN PLT,\$S	
150		0075402543	TUBE	
160	2	0347012207	CLAMP HOSE	
190		0075402543	TUBE	
195	2	0347012207	CLAMP HOSE	
200	1	0571001008	CONNECTOR	
210	1	0147132503	HEX. HEAD SCREW M8X25	
220		0075402543	TUBE	
225	2	0347012207	CLAMP HOSE	
230	1	1604501400	HOSE NIPPLE	
240		0075402599	HOSE	
245	2	1604413700	HOSE CLIP	

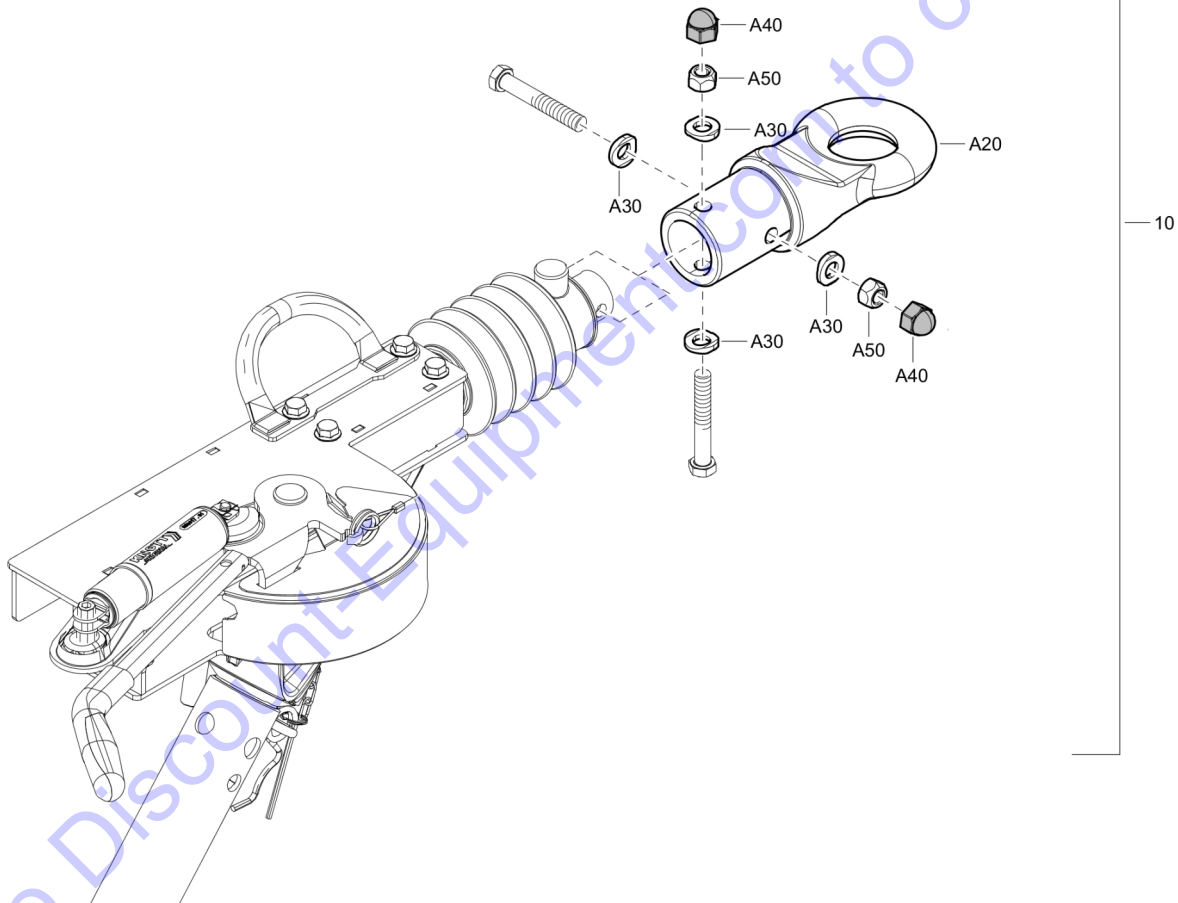


Id	Qty	Number	Name	Specifications
20	1	0975830009	BATTERY	
25	1	1638152200	BRACKET (CLAMP BAT)	
30	2	1619276600	SCR.BOLT M8X20	
31	2	1088001901	CONTACT WASHER	
35	1	1604817982	CABLE BATTERY	
55	1	1604332900	PROTECTION CAP	
70	1	1638219001	GUIDE	
75	1	0147195942	Hex. head screw	
85	1	0147132203	HEX. BOLT M8X16X8.8	
90	1	1088001901	CONTACT WASHER	
95	1	1604039907	WIRE HARNESS	
100	1	1626060101	WIRE EARTHING	
105	1	1619276600	SCR.BOLT M8X20	
110	1	1088001901	CONTACT WASHER	
115	1	1607852373	RELAY AUX.	
120	2	0147124903	HEXAGON BOLT	
125	2	0147124703	HEX. BOLT M6X20X8.8	
130	1	1638163183	CONTROL PANEL	
135	2	1619276600	SCR.BOLT M8X20	
140	1	1626964801	SWITCH POWER	
141	2	1619276600	SCR.BOLT M8X20	
145	1	1605063600	SWITCH TEMP.	
155	1	0661103300	SEAL WASHER 21.5 X 28 X 2.5	
165	11	0348010124	TIE	
170	2	0129317401	BLIND RIVET	
180	1	1613080102	PIPE CLAMP	
185	1	0147124703	HEX. BOLT M6X20X8.8	
190	1	1604774200	CABLE BATTERY	
200	1	1638218202	BRACKET	
210	2	0226991510	SQ. NECK BOLT	
220	2	0291111000	LOCKNUT	
230	2	0301233500	PLAIN WASHER(A) 8.4 X 16 X 1.6	
240	2	1638211800	Washer	
250	1	1638255001	PLATE COVER	
255	1	1615566400	HEXAGON BOLT	
260		1503105600	SEAL	



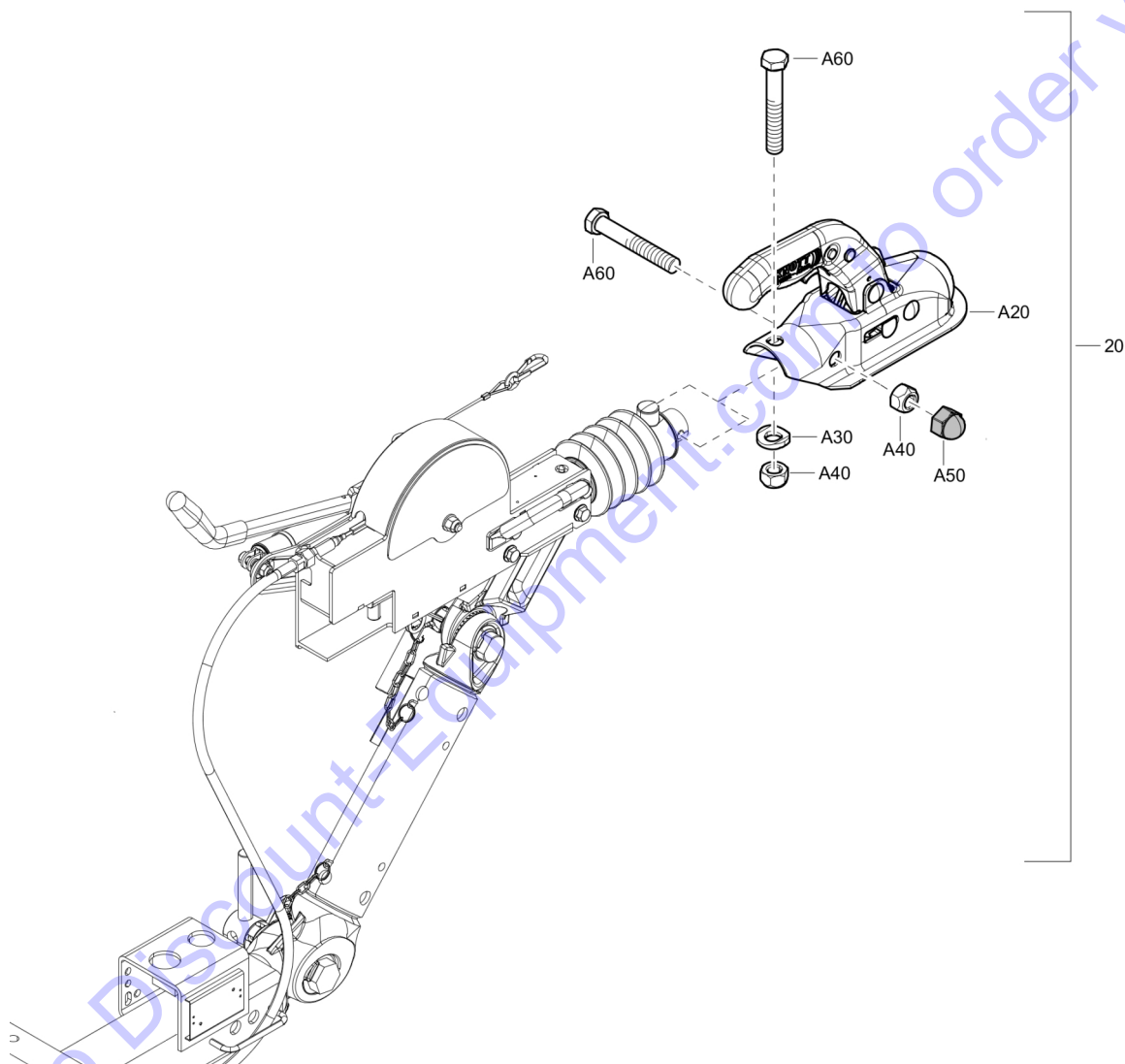
Id	Qty	Number	Name	Specifications
10	1	1626980701	SWITCH	
15	1	1607852736	METER HOUR	
30	1	1626964400	INDICATOR PRESS	
35	2	1638294700	RELAY AUX.	
40	2	1638294800	SOCKET	
45	1	1088001530	CONNECTOR	
50	1	1638163201	PANEL	
65	1	1638163100	PLATE BACK	
70	2	0226334317	Tapping screw	
75	2	0147120403	SCREW:M 5X 10;HEX HD,ZN PLT \$S	
80	2	0301231800	FLAT WASHER 5.3X10X1.0	
85	2	0261210700	HEXAGON NUT M5	
95	1	1607852360	INDICATOR	

Go to Discount-Equipment.com to order your parts



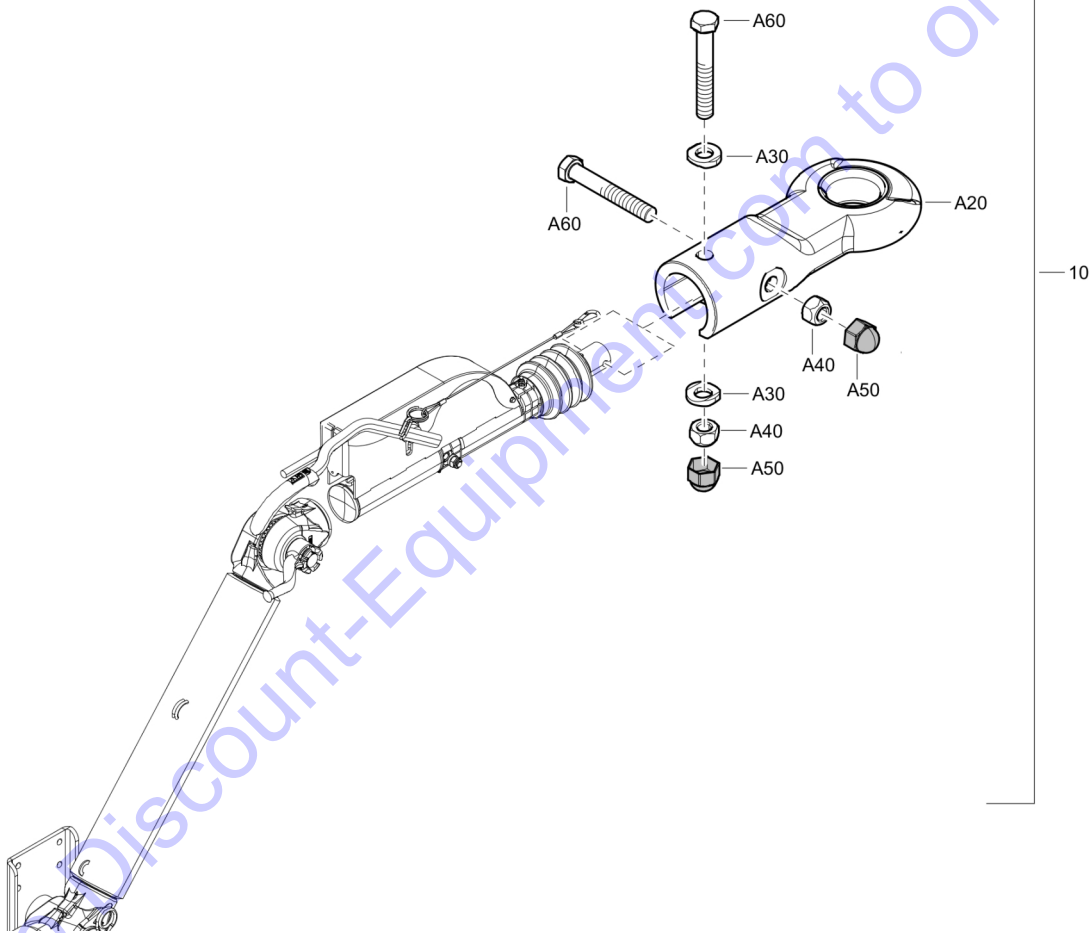
Id	Qty	Number	Name	Specifications
A20	1	1638308000	Eye towing gb d50	
A30	4	1638308300	WASHER PLAIN	
A40	2	1638308900	CAP	
A50	2	1638308800	NUT LOCK	

Go to Discount-Equipment.com to order your parts



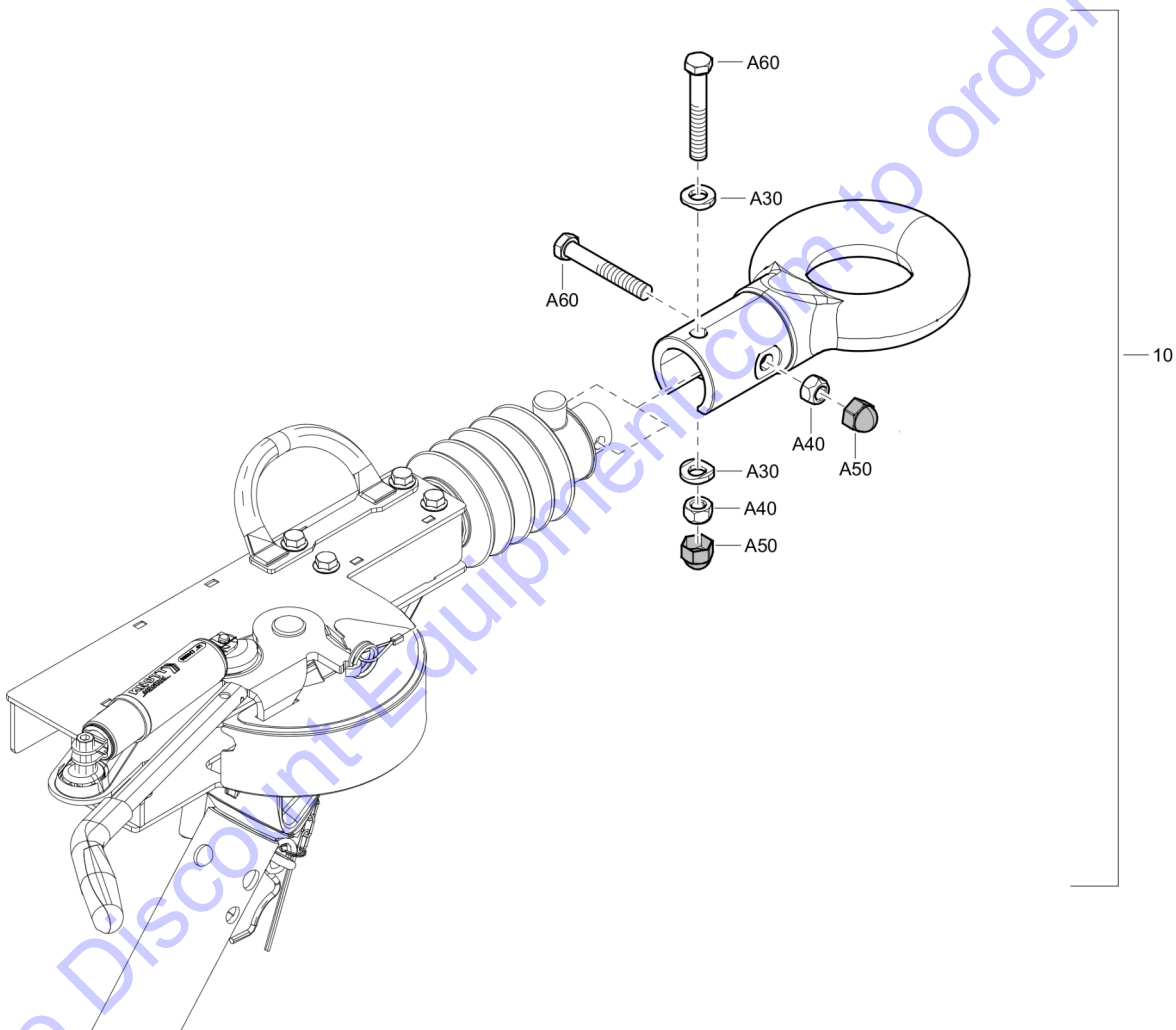
Id	Qty	Number	Name	Specifications
A20	1	1638307700	Eye towing ball coupling	
A30	1	1638308300	WASHER PLAIN	
A40	2	1638308800	NUT LOCK	
A50	1	1638308900	CAP	
A60	2	0147196303	HEX. HEAD SCREW M12X70-10.9	

Go to Discount-Equipment.com to order your parts



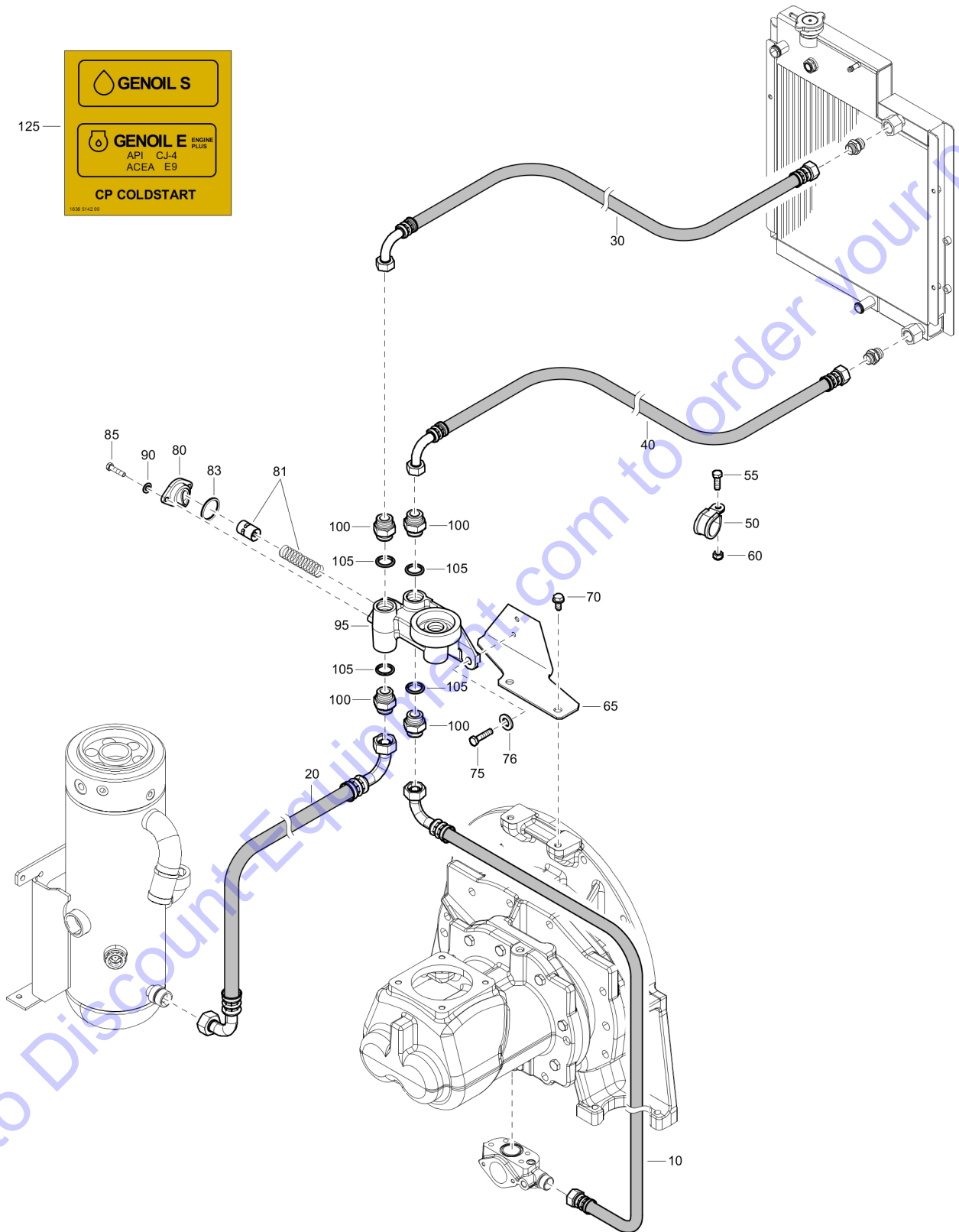
Id	Qty	Number	Name	Specifications
A20	1	1638307900	EYE TOWING DIN	
A30	2	1638308300	WASHER PLAIN	
A40	2	1638308800	NUT LOCK	
A50	2	1638308900	CAP	
A60	2	0147196304	SCREW	

Go to Discount-Equipment.com to order your parts



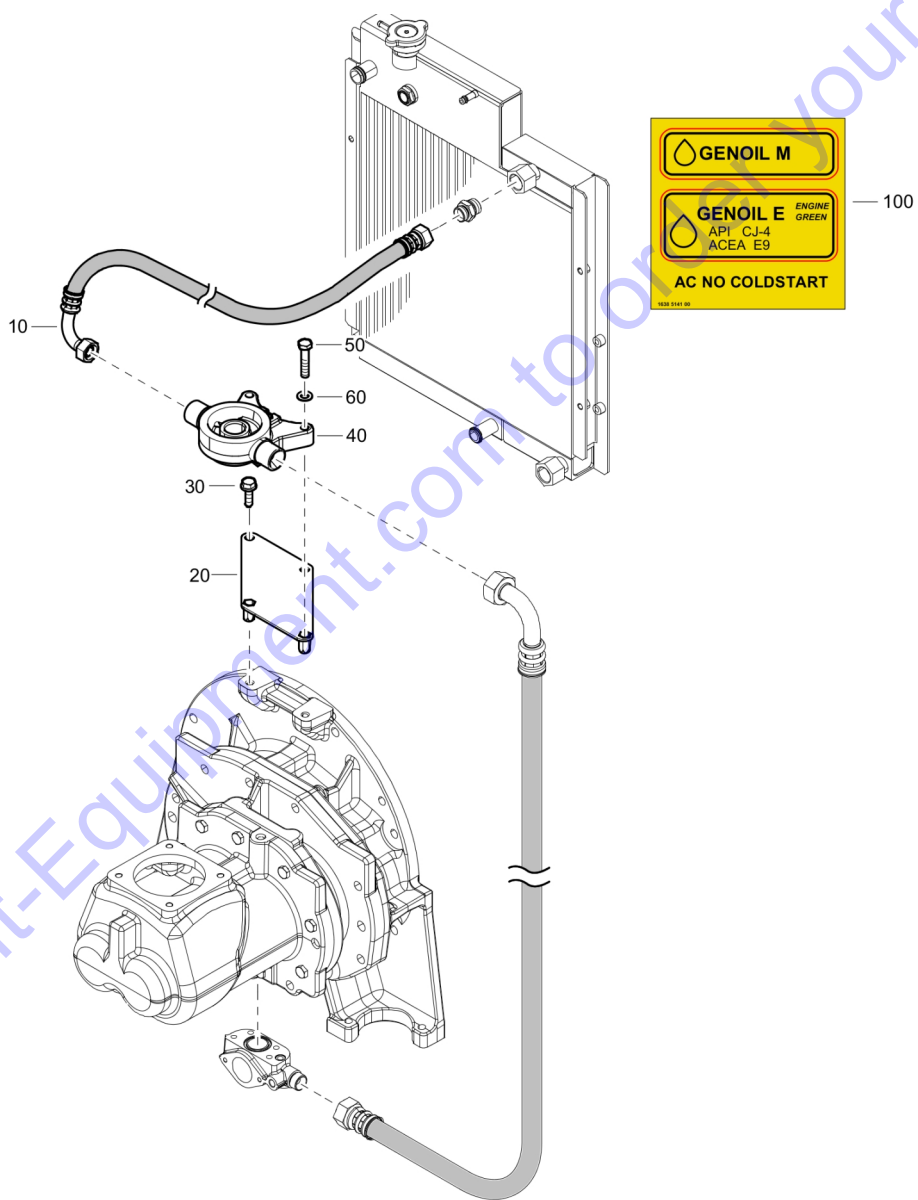
Id	Qty	Number	Name	Specifications
10	1	1638307880	EYE TOWING NATO	
A30	2	1638308300	WASHER PLAIN	
A40	2	1638308800	NUT LOCK	
A50	2	1638308900	CAP	
A60	2	0147196304	SCREW	

Go to Discount-Equipment.com to order your parts



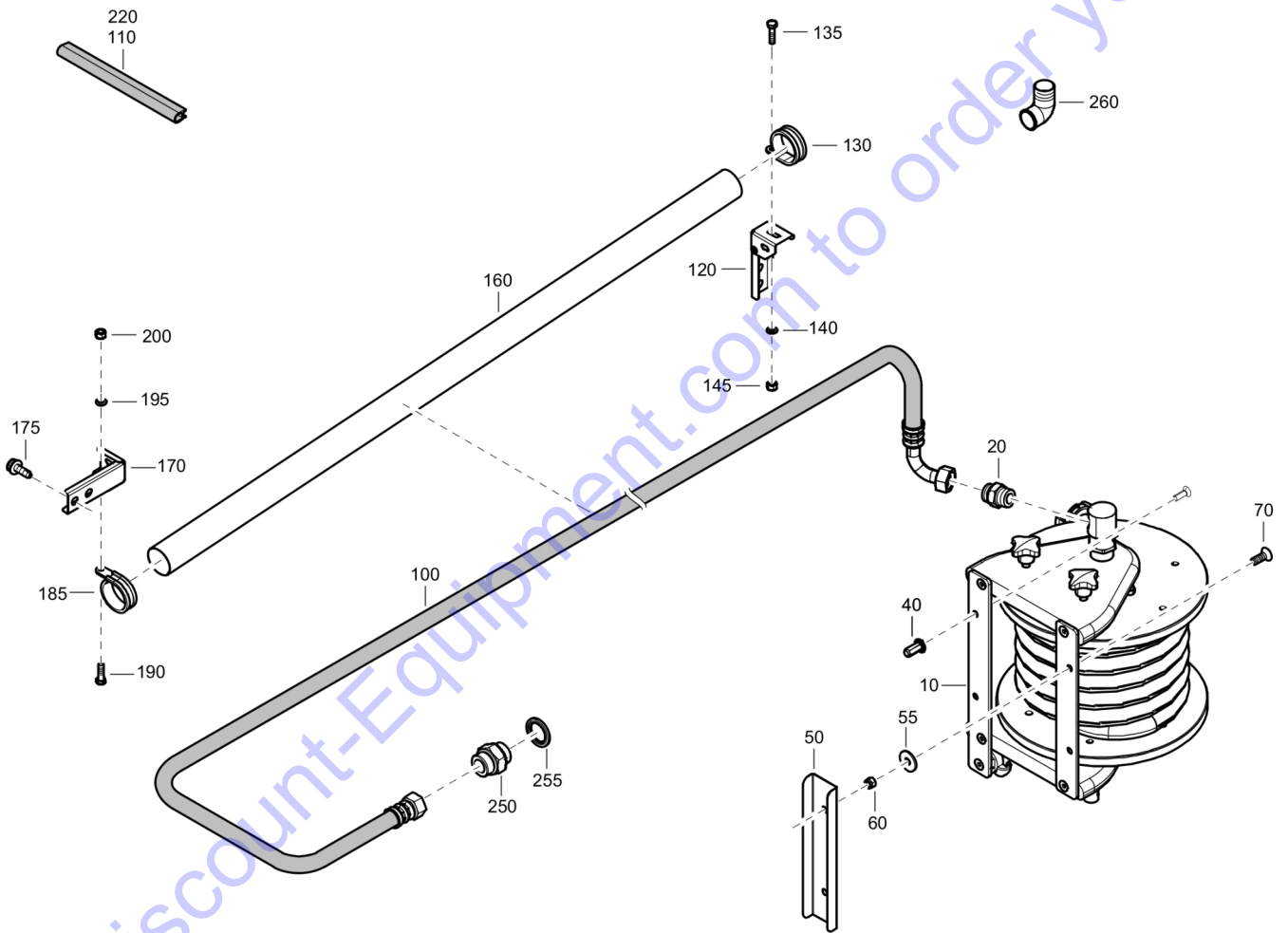
Id	Qty	Number	Name	Specifications
10	1	1638179202	Hose assembly	
20	1	1638179301	HOSE ASSEMBLY	
30	1	1638175501	HOSE ASSEMBLY	
40	1	1638179502	HOSE ASSEMBLY	
50	2	0346100210	CLAMP	
55	2	0147132503	HEX. HEAD SCREW M8X25	
60	2	0291112818	LOCK NUT M8 DIN985 CL8 FZB	
65	1	1638273600	BRACKET	
70	2	1619276600	SCR.BOLT M8X20	
75	2	0147132603	PARAF M8X30 DIN933 8.8 FZB	
76	2	0301233500	PLAIN WASHER(A) 8.4 X 16 X 1.6	
80	1	1614611800	COVER:VALVE HOUSING	
81	1	1619759500	THERMOSTAT 70°C	
83	1	0663713200	O-RING:M 35.10IDX 1.60THK \$FPM	
85	2	0147124603	HEX. HEAD SCREW M6 X 16	
90	2	0301232100	WASHER M6	
95	1	1622272820	HOUSING THERM	
100	4	1079584029	NIPPLE M26 - G3/4"	
105	4	0661103800	SEALING WASHER	
125	1	1638514200	DECAL SYMBOLS	

Go to Discount-Equipment.com to order your parts



Id	Qty	Number	Name	Specifications
10	1	1638175501	HOSE ASSEMBLY	
20	1	1638285301	SUPPORT	
30	2	1619276600	SCR.BOLT M8X20	
40	1	1615776707	HOUSING FILTER	
50	2	0147132703	PARAF M8X35 DIN931 8.8 FZB	
60	2	0301233500	PLAIN WASHER(A) 8.4 X 16 X 1.6	
100	1	1638514100	DECAL SYMBOLS	

Go to Discount-Equipment.com to order your parts



Id	Qty	Number	Name	Specifications
10	1	1638264501	HOSE REEL	
20	1	0571003536	Nipple	
40	2	0298100180	Nut	
50	1	1638344700	Back plate	
55	2	0300801900	WASHER-FLAT:M 8.40/25.0X2.0T	
60	2	0291112818	LOCK NUT M8 DIN985 CL8 FZB	
70	4	0216132403	SCREW:M8X22,SOC HD,CS,\$STL	
100	1	1638332500	Hose assembly	
110		1503105600	SEAL	
120	1	1638313600	BRACKET	
130	1	1613080104	CLAMP	
135	1	0147124703	HEX. BOLT M6X20X8.8	
140	1	0301232100	WASHER M6	
145	1	0266210800	NUT M6 DIN934 CL8 FZB	
160	1	1638332200	Pipe	
170	1	1638313600	BRACKET	
175	1	1619276600	SCR.BOLT M8X20	
185	1	1613080104	CLAMP	
190	1	0147124703	HEX. BOLT M6X20X8.8	
195	1	0301232100	WASHER M6	
200	1	0266210800	NUT M6 DIN934 CL8 FZB	
220		1503105600	SEAL	
250	1	1079584029	NIPPLE M26 - G3/4"	
255	1	0661103800	SEALING WASHER	
260	1	0560020001	ELBOW ISO7-R 3/4" -- G 3/4"	

PARTS FINDER

**Search Website
by Part Number**



**Search Manual
Library For Parts
Manual & Lookup Part
Numbers – Purchase
or Request Quote**

Search Manuals

Enter your information to help us find the right parts manual for your machine.

* Brand:

* Model:

* Serial:

* Part Number:

SEARCH

**Can't Find Part or
Manual? Request Help
by Manufacturer,
Model & Description**

Parts Order Form

Please fill in the following information to help us find the right part for your machine.

Manufacturer:	<input type="text"/>
Model:	<input type="text"/>
Description:	<input type="text"/>
Part Number:	<input type="text"/>
Quantity:	<input type="text"/>
Notes:	<input type="text"/>

Submit

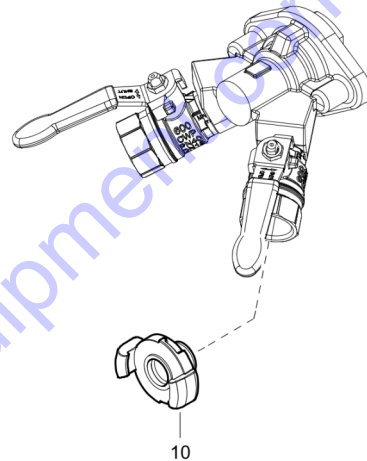
Discount-Equipment.com is your online resource for quality parts & equipment.

Florida: **561-964-4949** Outside Florida TOLL FREE: **877-690-3101**

Need parts?

Click on this link: <http://www.discount-equipment.com/category/5443-parts/> and choose one of the options to help get the right parts and equipment you are looking for. Please have the machine model and serial number available in order to help us get you the correct parts. If you don't find the part on the website or on one of the online manuals, please fill out the request form and one of our experienced staff members will get back to you with a quote for the right part that your machine needs.

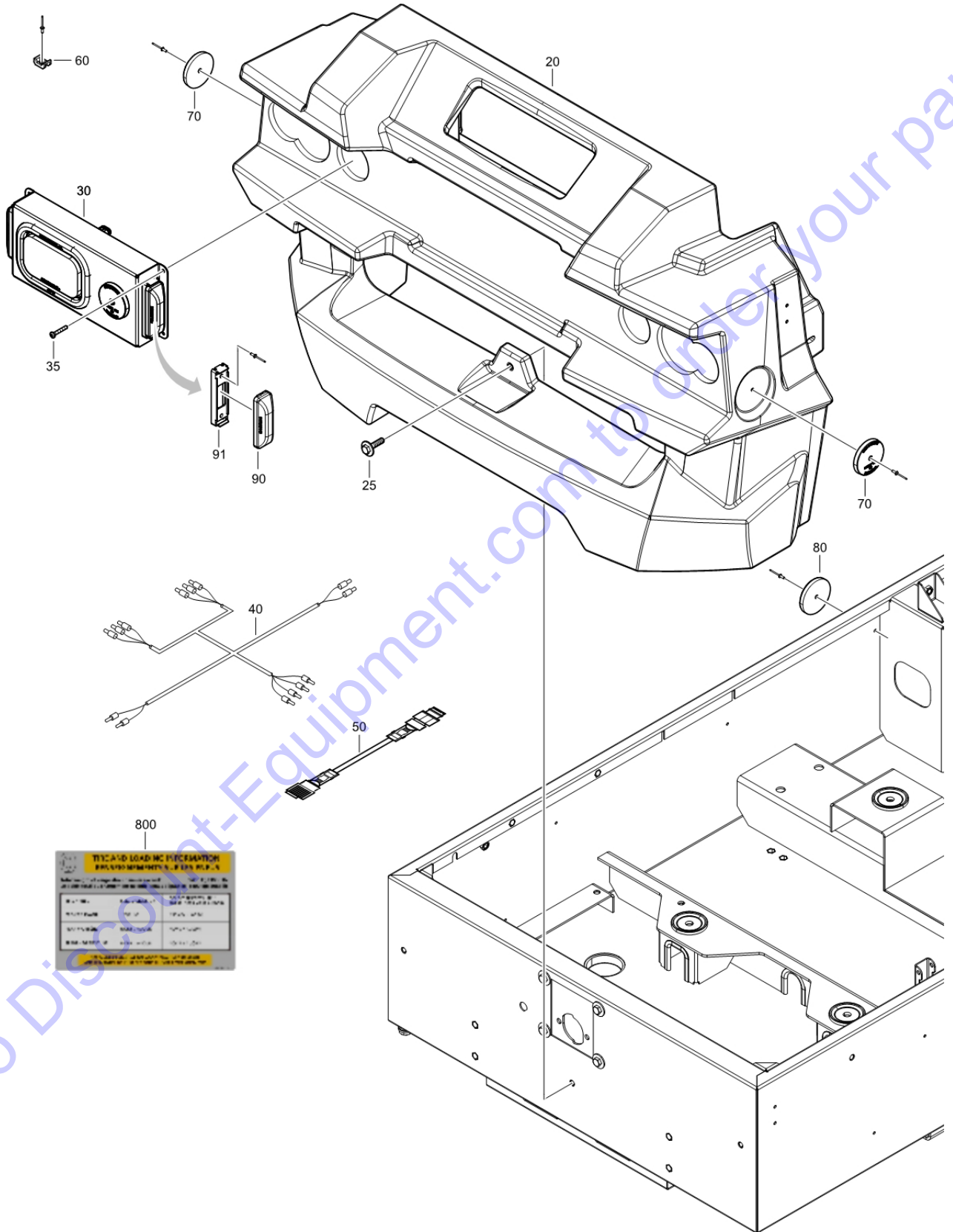
We sell worldwide for the brands: Genie, Terex, JLG, MultiQuip, Mikasa, Essick, Whiteman, Mayco, Toro Stone, Diamond Products, Generac Magnum, Airman, Haulotte, Barreto, Power Blanket, Nifty Lift, Atlas Copco, Chicago Pneumatic, Allmand, Miller Curber, Skyjack, Lull, Skytrak, Tsurumi, Husquvarna Target, Stow, Wacker, Sakai, Mi-T-M, Sullair, Basic, Dynapac, MBW, Weber, Bartell, Bennar Newman, Haulotte, Ditch Runner, Menegotti, Morrison, Contec, Buddy, Crown, Edco, Wyco, Bomag, Laymor, EZ Trench, Bil-Jax, F.S. Curtis, Gehl Pavers, Heli, Honda, ICS/PowerGrit, IHI, Partner, Imer, Clipper, MMD, Koshin, Rice, CH&E, General Equipment, Amida, Coleman, NAC, Gradall, Square Shooter, Kent, Stanley, Tamco, Toku, Hatz, Kohler, Robin, Wisconsin, Northrock, Oztec, Toker TK, Rol-Air, APT, Wylie, Ingersoll Rand / Doosan, Innovatech, Con X, Ammann, Mecalac, Makinex, Smith Surface Prep, Small Line, Wanco, Yanmar



Go to Discount-Equipment.com to order your parts

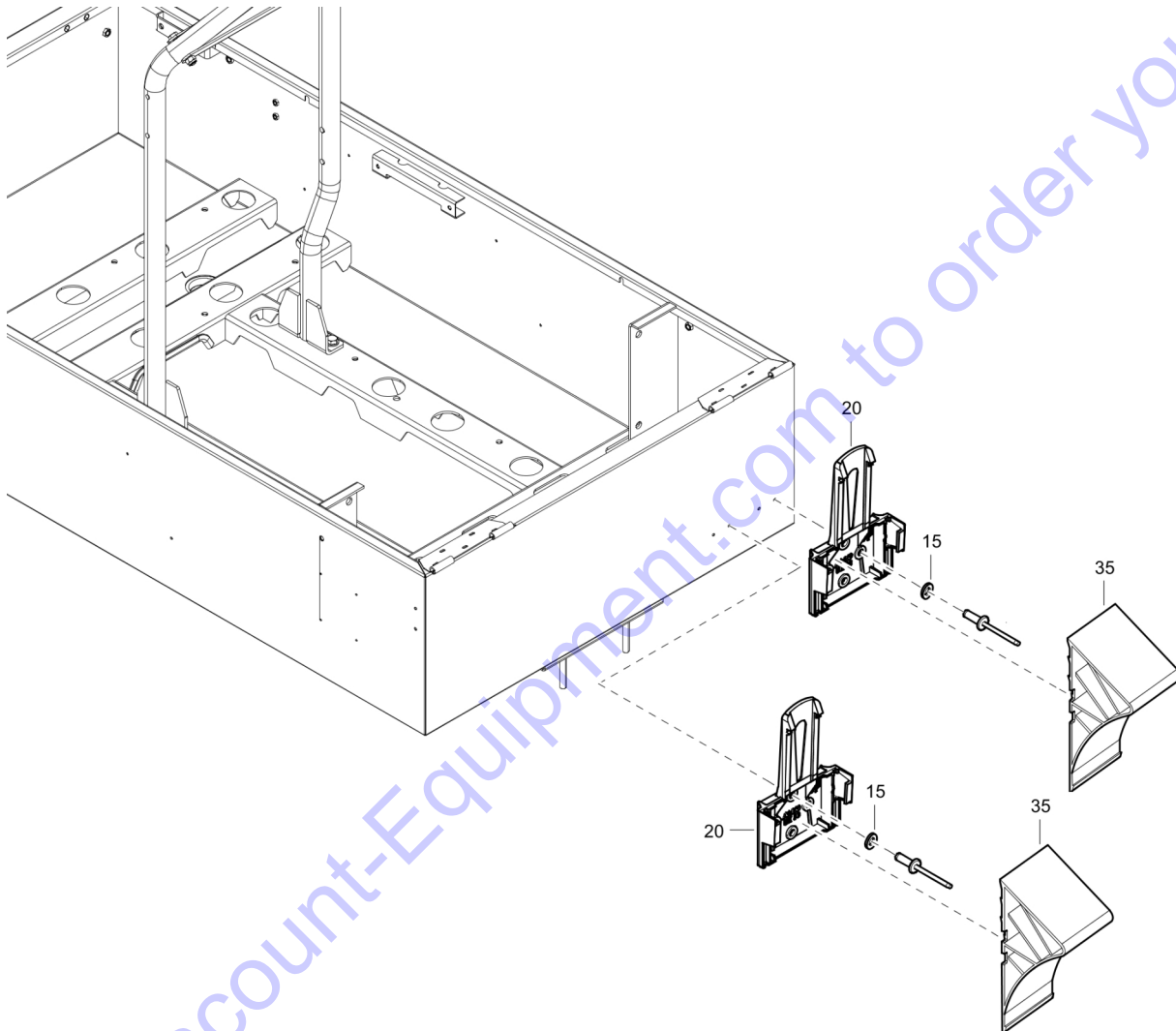
Id	Qty	Number	Name	Specifications
10	2	9000030200	QUICK HITCHING - COMPLETE	

Go to Discount-Equipment.com to order your parts



Id	Qty	Number	Name	Specifications
20	1	1638693381	BUMPER	
25	5	1604646600	BOLT	
30	2	1638296380	LIGHT	
35	8	0226004709	TAPPING SCREW	
40	1	1638313354	WIRE HARNESS	
50	2	1638313201	WIRING DOT	
60	3	0348011003	ANCHOR PLATE	
70	2	1638315800	REFLECTOR	
80	2	1615552000	REFLECTOR	
90	2	1638295900	LAMP	
91	2	1638315700	HOLDER LAMP	
800	1	1638937301	LABEL	
810	1	1638868800	LABEL	

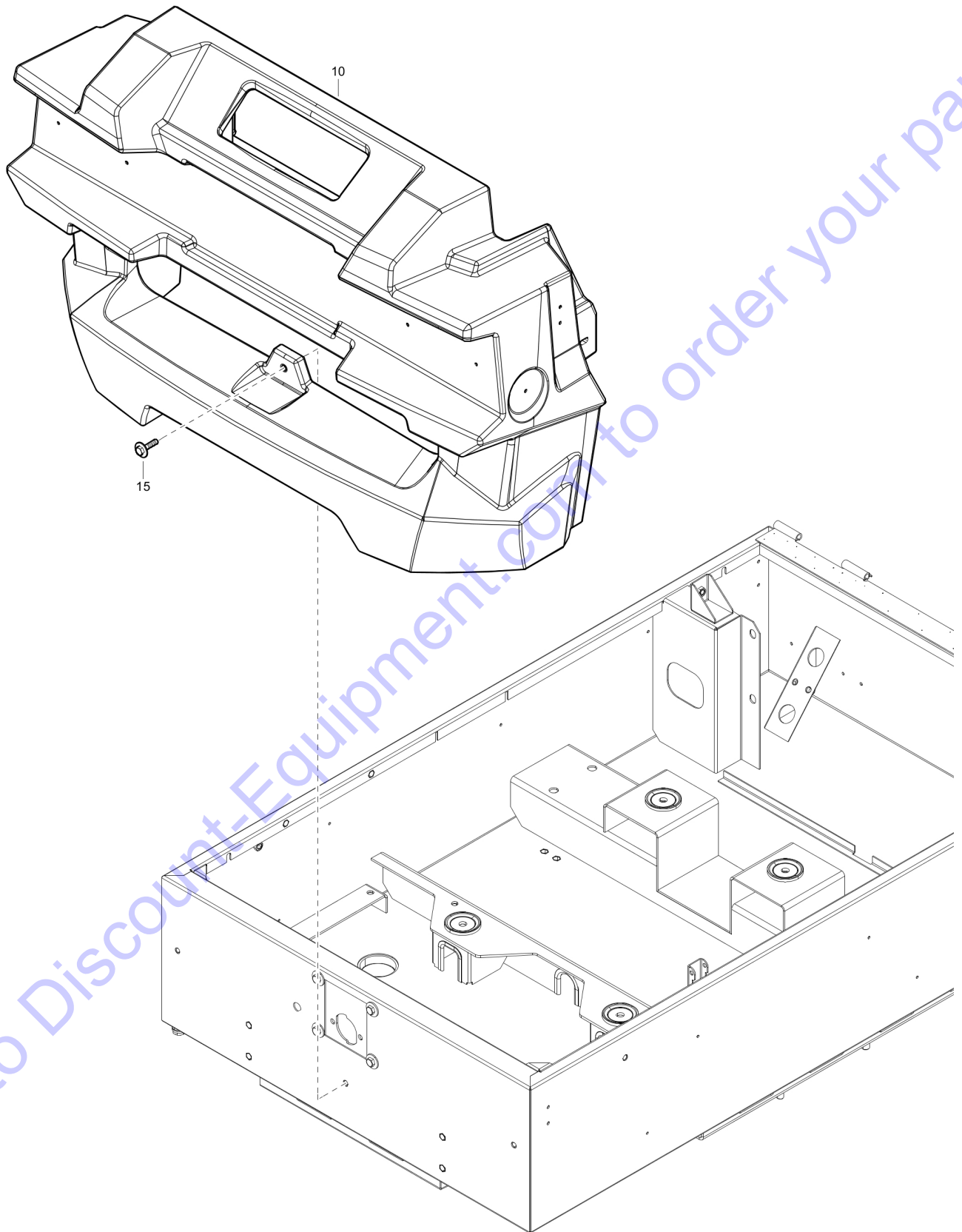
Go to Discount-Equipment.com to order your parts



Go to Discount-Equipment.com to order your parts

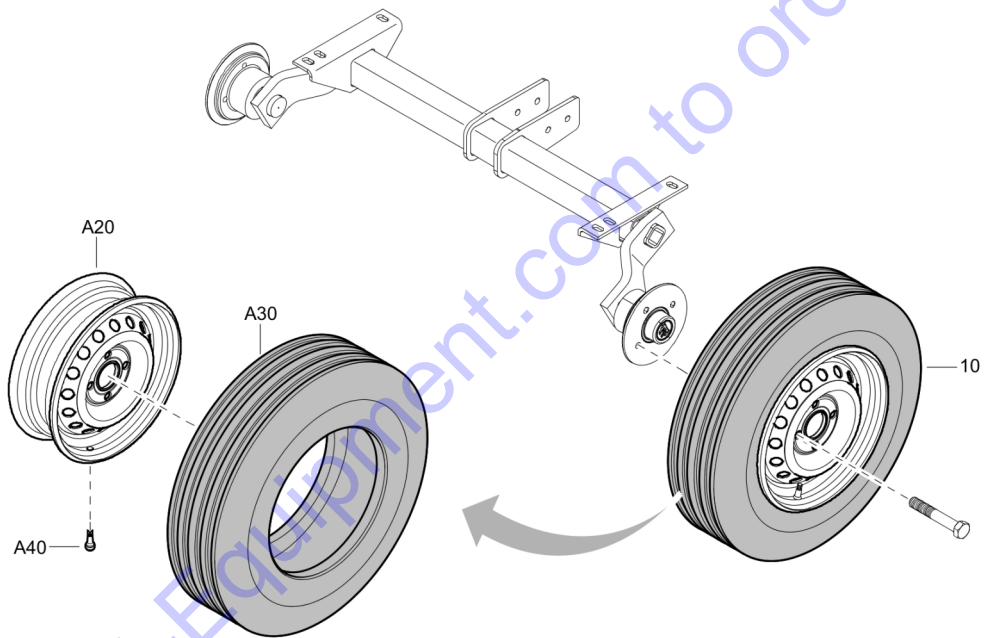
Id	Qty	Number	Name	Specifications
15	4	0301232100	WASHER M6	
20	2	1613544001	BRACKET	
35	2	1613543901	WHEELCHOCK	

Go to Discount-Equipment.com to order your parts



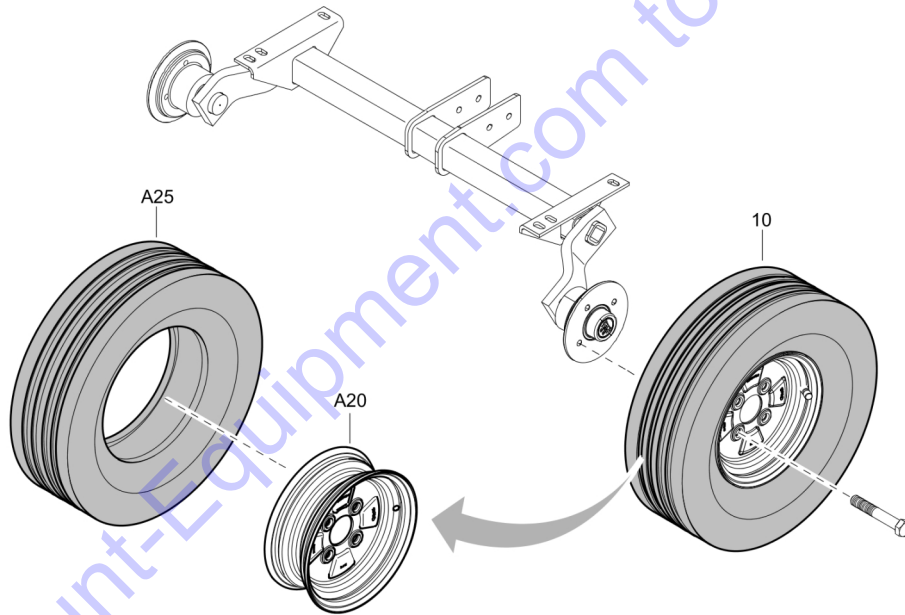
Id	Qty	Number	Name	Specifications
10	1	1638713181	Bumper	
15	5	1604646600	BOLT	

Go to Discount-Equipment.com to order your parts



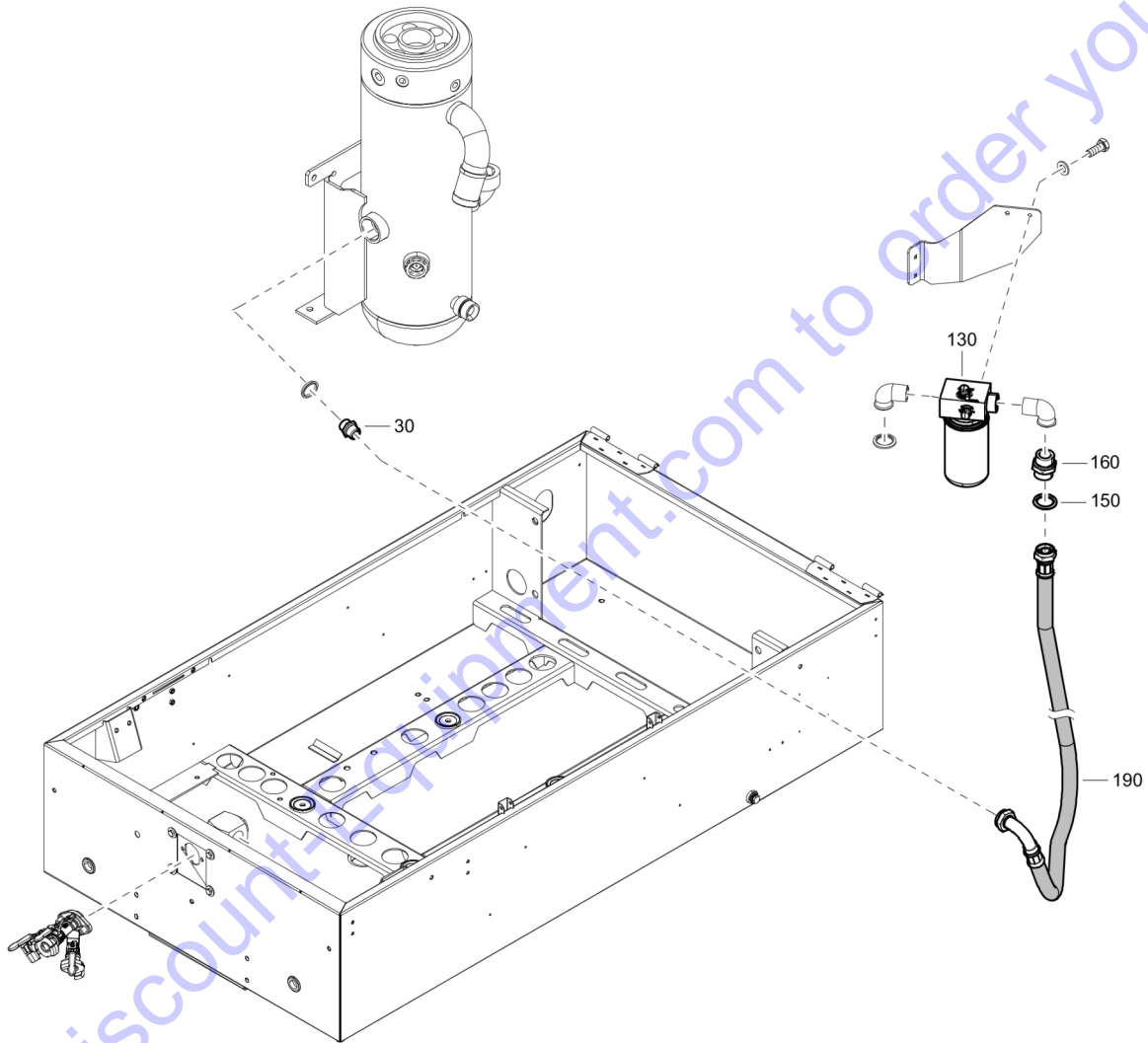
Id	Qty	Number	Name	Specifications
A20	2	1604033200	DISC WHEEL	
A30	2	0538040020	TIRE	
A40	2	1615632200	VENTIL	

Go to Discount-Equipment.com to order your parts



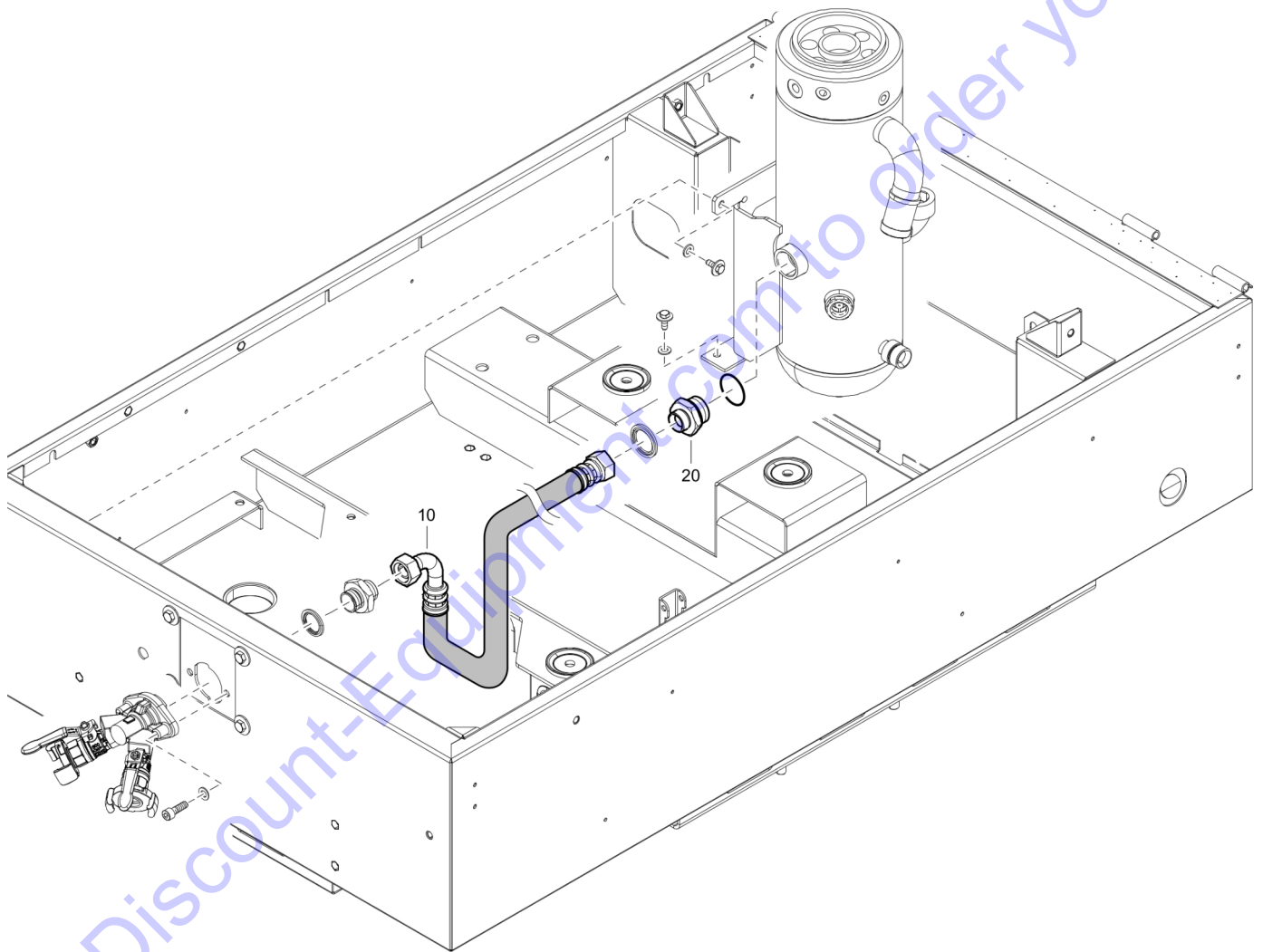
Id	Qty	Number	Name	Specifications
A20	2	1626945600	WHEEL	
A25	2	1626979800	TYRE	

Go to Discount-Equipment.com to order your parts



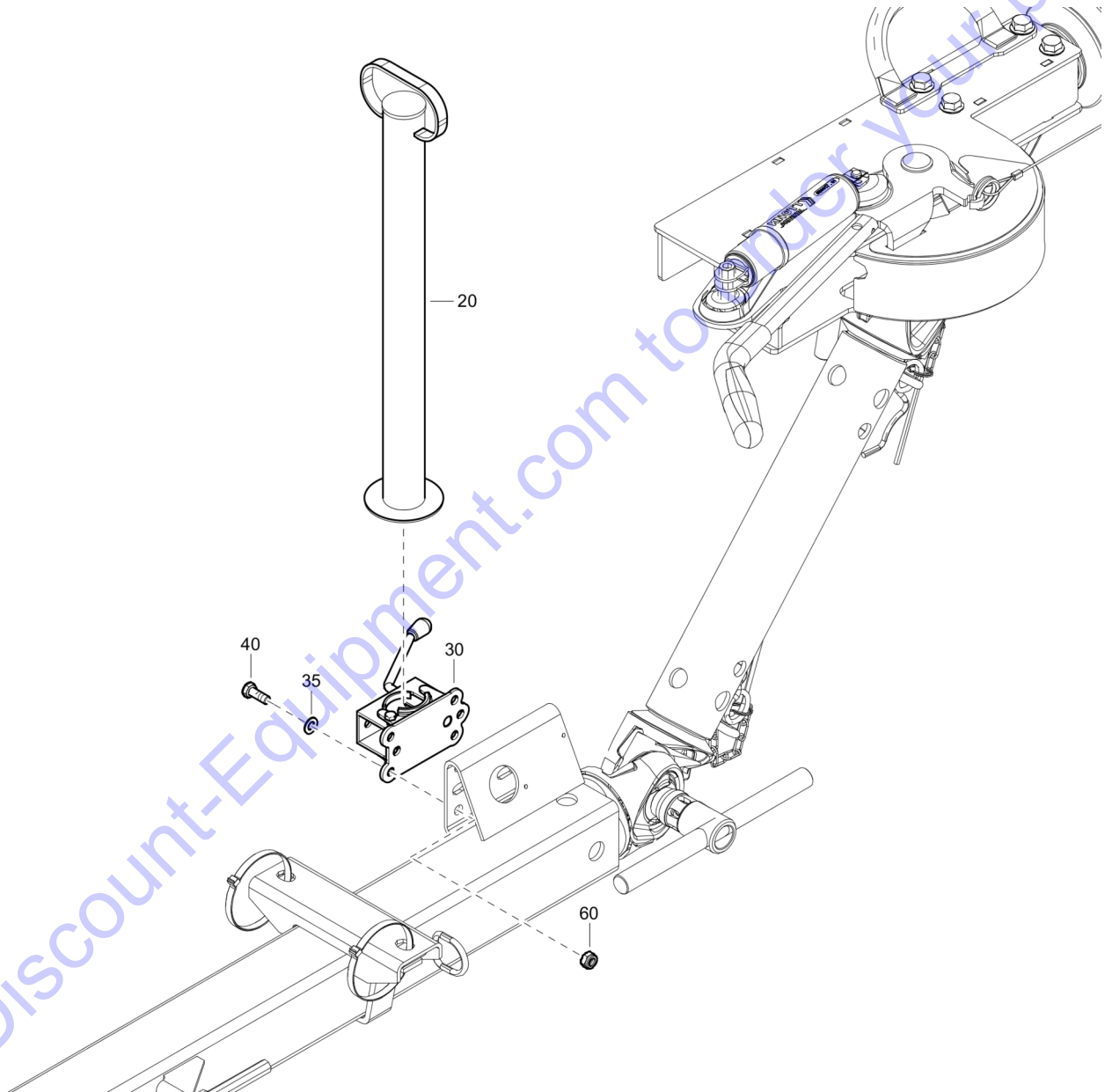
Id	Qty	Number	Name	Specifications
30	1	0603410096	NIPPLE HEXAGON	
130	1	1638121680	LUBRICATOR	
150	1	0661104900	SEAL WASHER	
160	1	1079584022	PIPE CONNECTION	
190	1	1638295600	HOSE ASSEMBLY	

Go to Discount-Equipment.com to order your parts



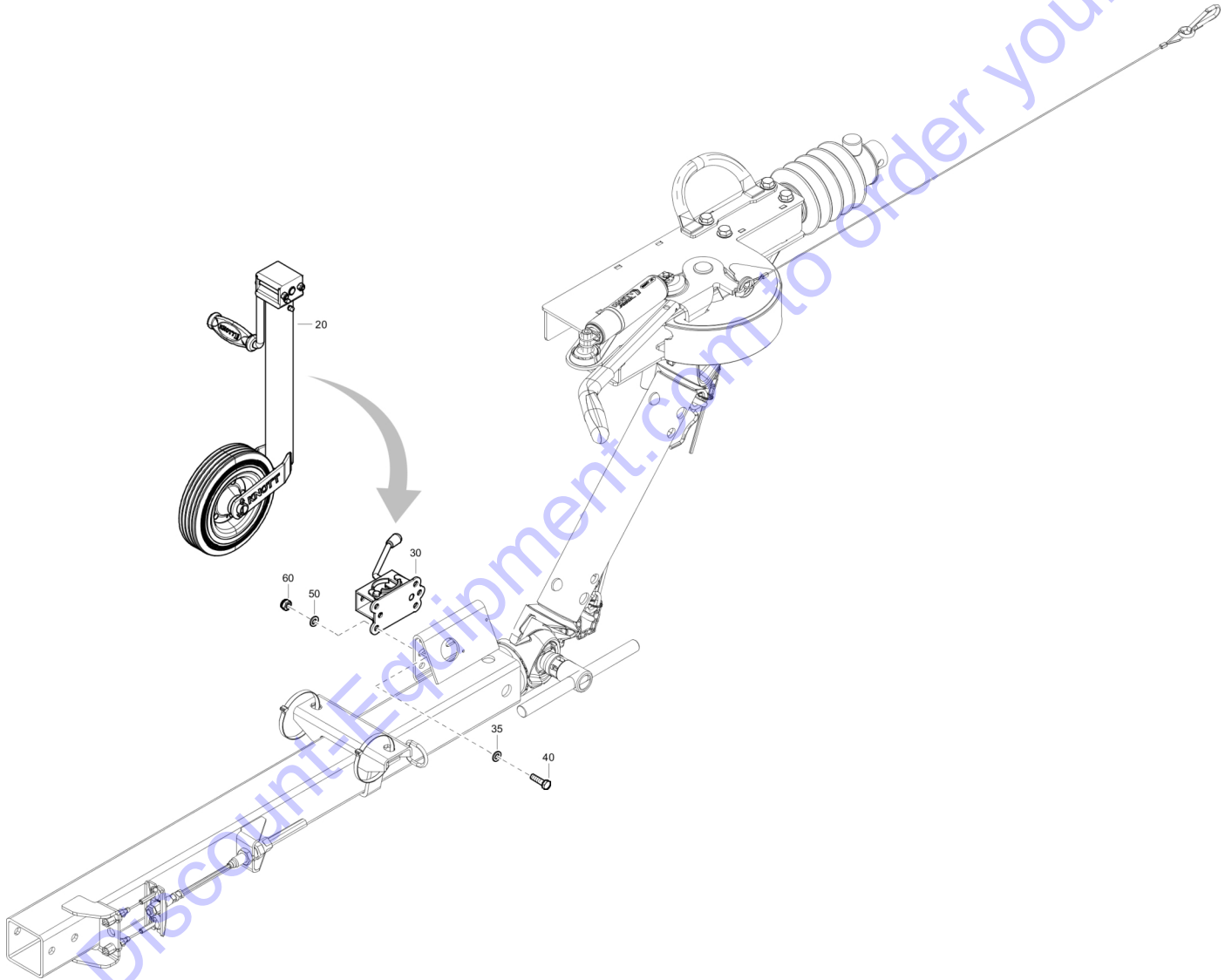
Id	Qty	Number	Name	Specifications
10	1	1638177902	HOSE ASSEMBLY	
20	1	1079584022	PIPE CONNECTION	

Go to Discount-Equipment.com to order your parts



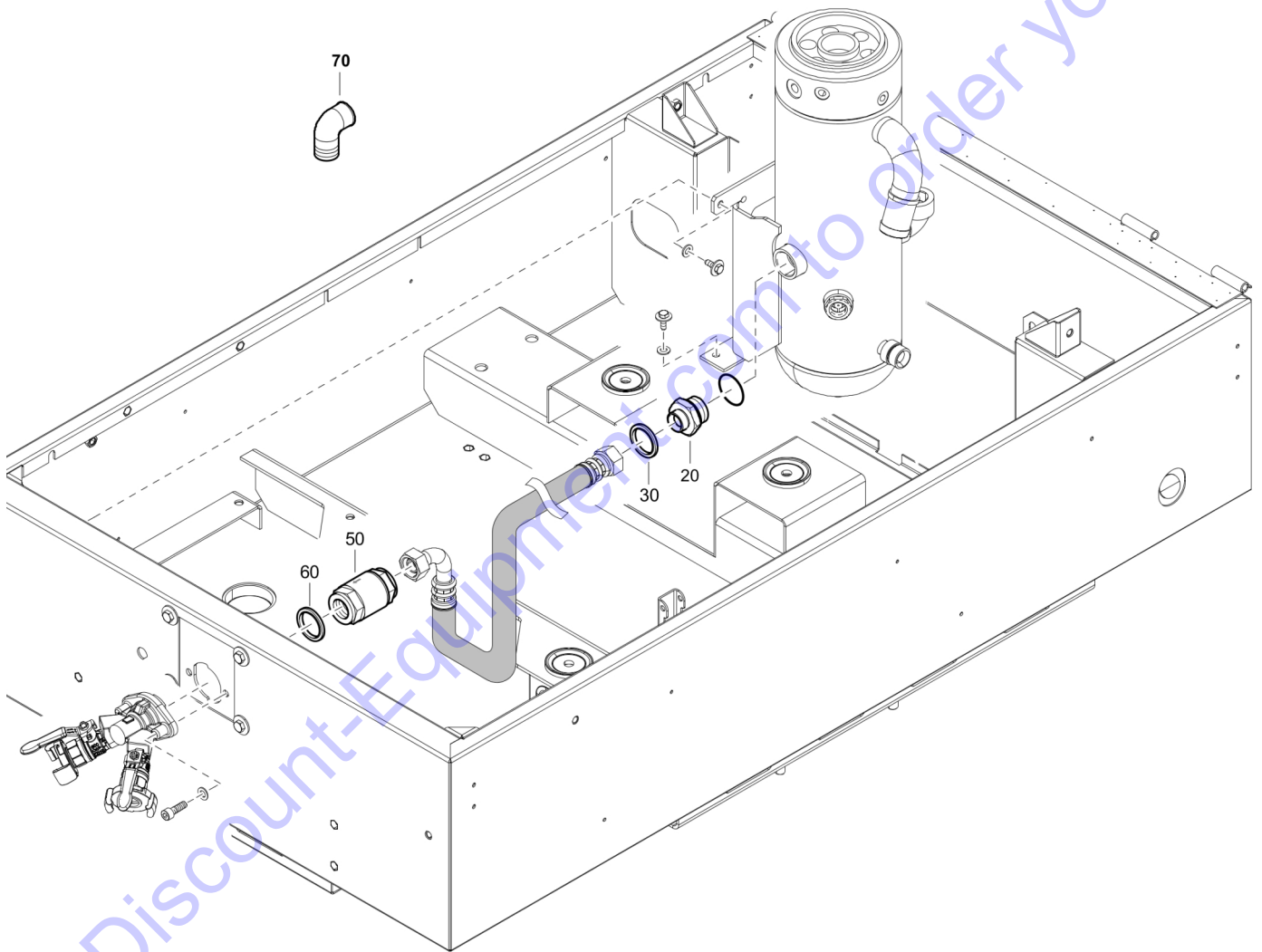
Id	Qty	Number	Name	Specifications
20	1	1638592600	SUPPORT	
30	1	1638524700	CLAMP	
35	4	0301234400	WASHER PLAIN	
40	4	0147136203	HEX. HEAD SCREW M10 X 25	
60	4	0291111100	LOCKNUT	

Go to Discount-Equipment.com to order your parts



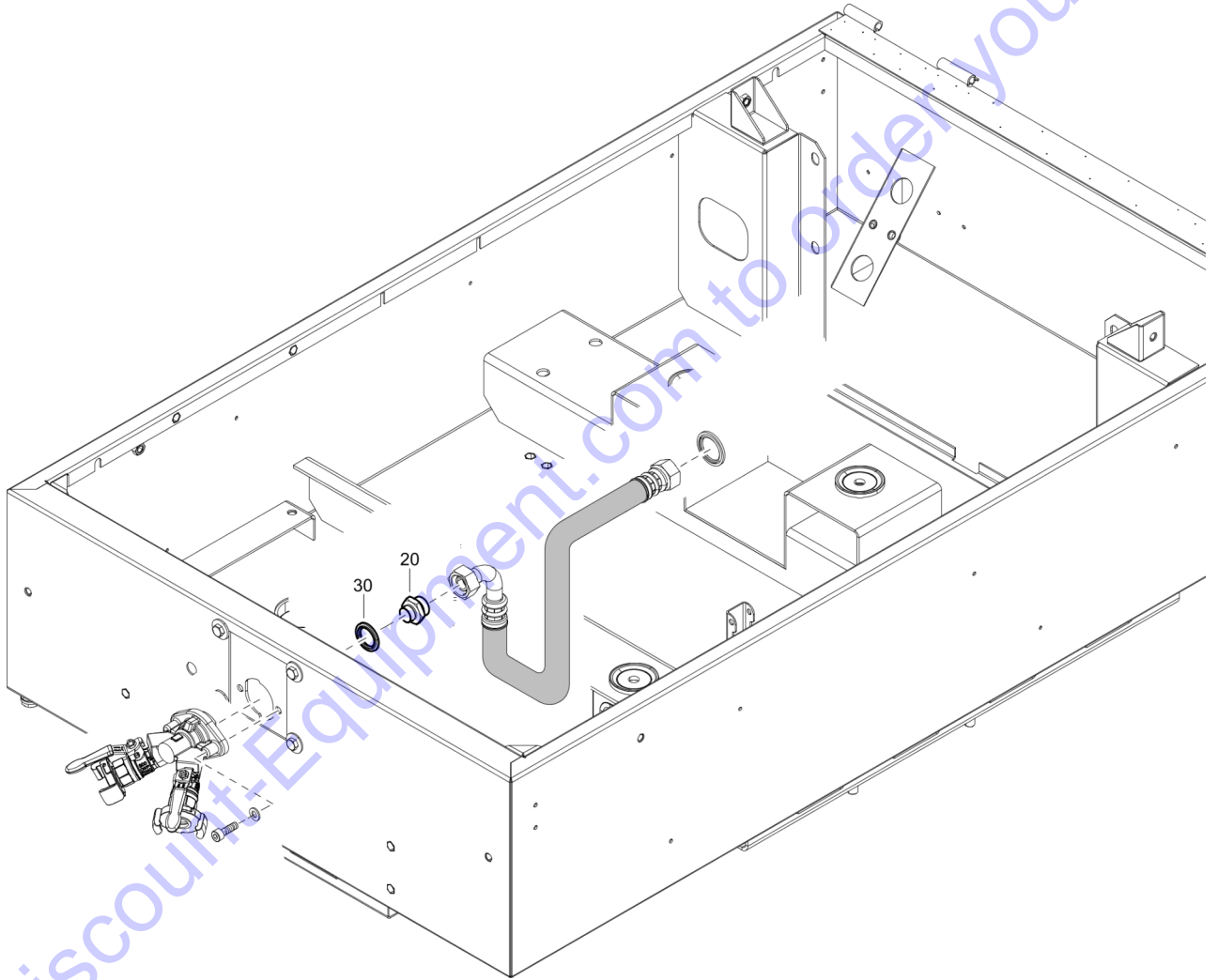
Id	Qty	Number	Name	Specifications
20	1	1638592500	JOCKEY WHEEL	
30	1	1638524700	CLAMP	
35	4	0301234400	WASHER PLAIN	
40	4	9125718100	SCREW	
50	4	0301234400	WASHER PLAIN	
60	4	0291111100	LOCKNUT	

Go to Discount-Equipment.com to order your parts



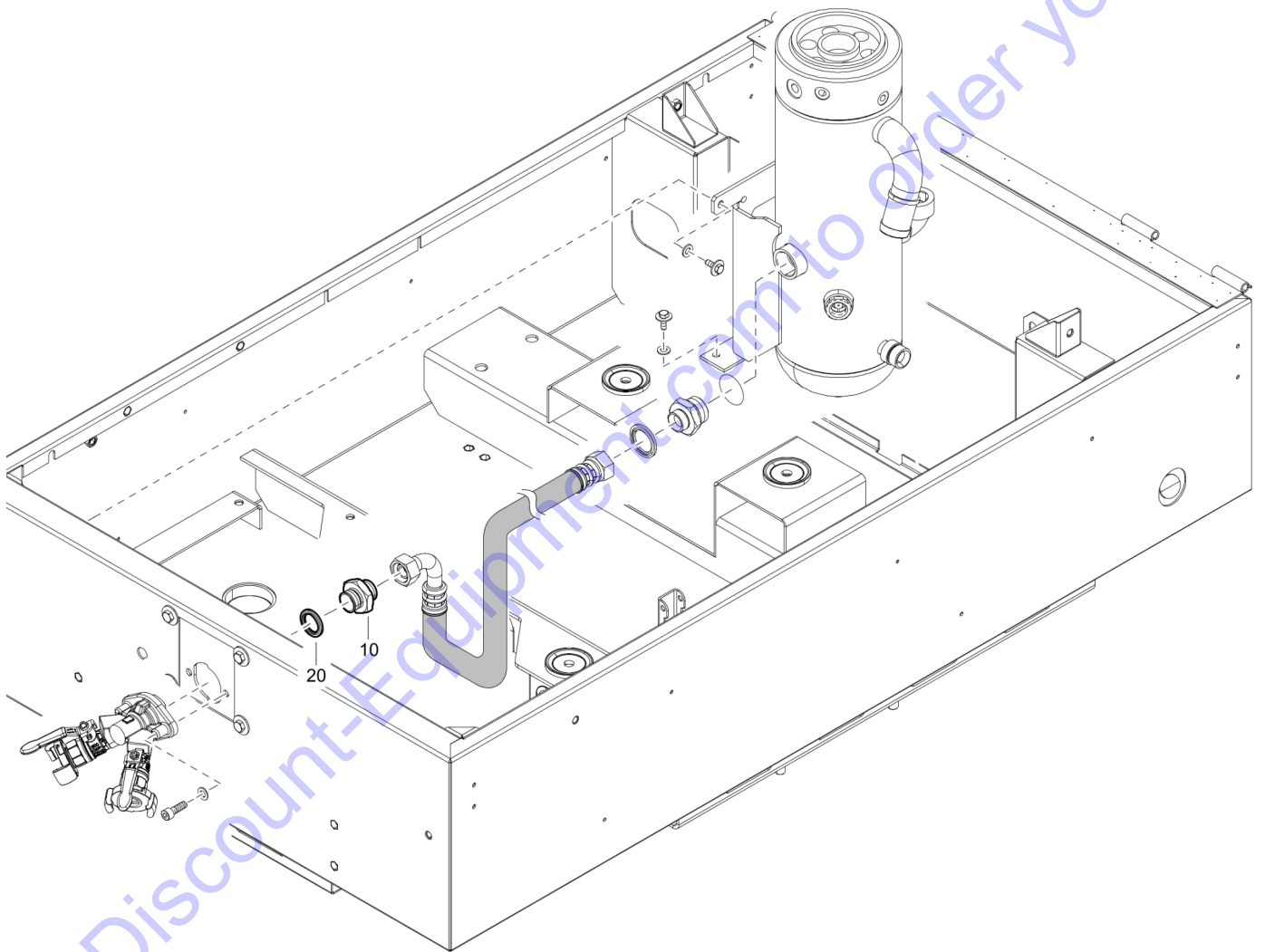
Id	Qty	Number	Name	Specifications
20	1	1079584022	PIPE CONNECTION	
30	1	0661104900	SEAL WASHER	
50	1	1615961500	NON RET. VALVE	
60	1	0661104900	SEAL WASHER	
70	1	0560020001	ELBOW ISO7-R 3/4" -- G 3/4"	

Go to Discount-Equipment.com to order your parts



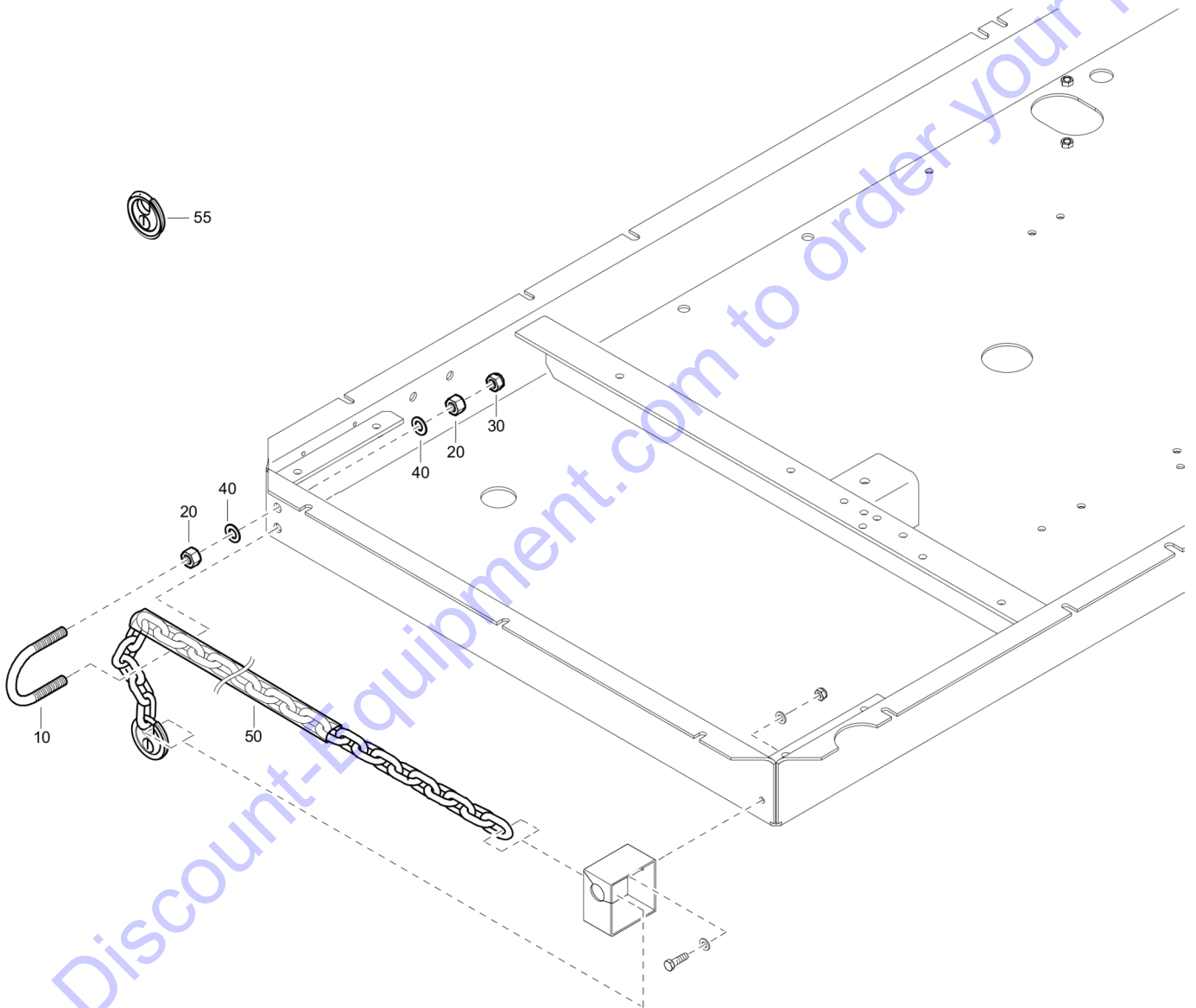
Id	Qty	Number	Name	Specifications
20	1	1638258901	NOZZLE	
30	1	0661103800	SEALING WASHER	

Go to Discount-Equipment.com to order your parts



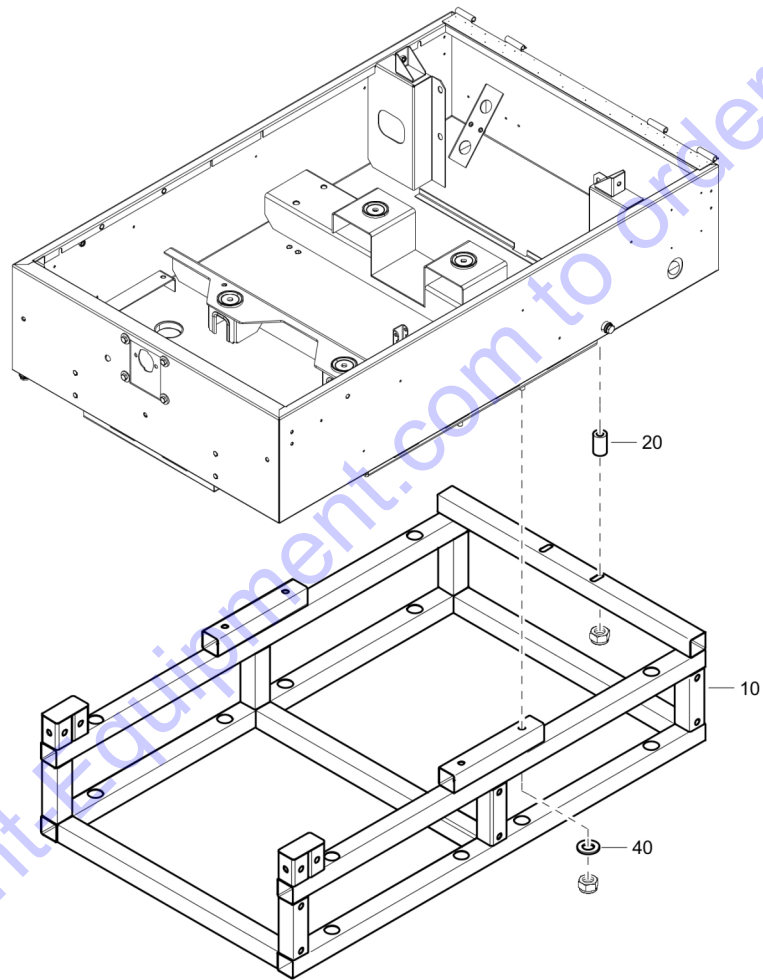
Id	Qty	Number	Name	Specifications
10	1	1638228702	NOZZLE	
20	1	0661103800	SEALING WASHER	

Go to Discount-Equipment.com to order your parts



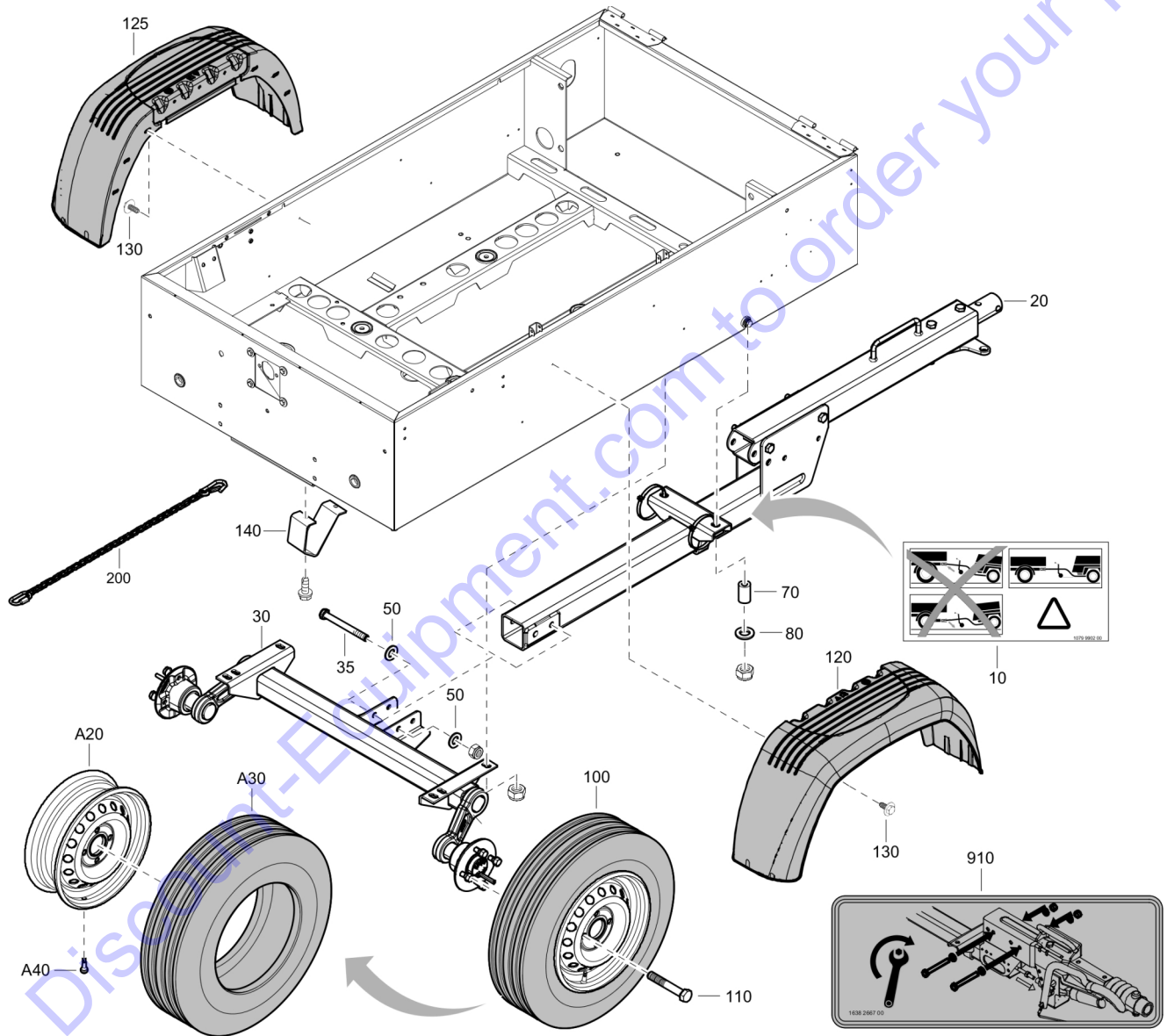
Id	Qty	Number	Name	Specifications
10	2	1638368100	BOLT U	
20	4	0266113802	NUT	
30	4	0291111200	LOCKNUT	
40	8	0300027602	WASHER LOCK	
50	1	1638386600	Cable	
55	1	1638387500	LOCK -	

Go to Discount-Equipment.com to order your parts



Id	Qty	Number	Name	Specifications
10	1	1638294900	EXTENDED SUPPORT BOX2.1	
20	2	1615957500	SPACER	
40	4	0301235800	PLAIN WASHER(A) 13 X 24 X 2.5	

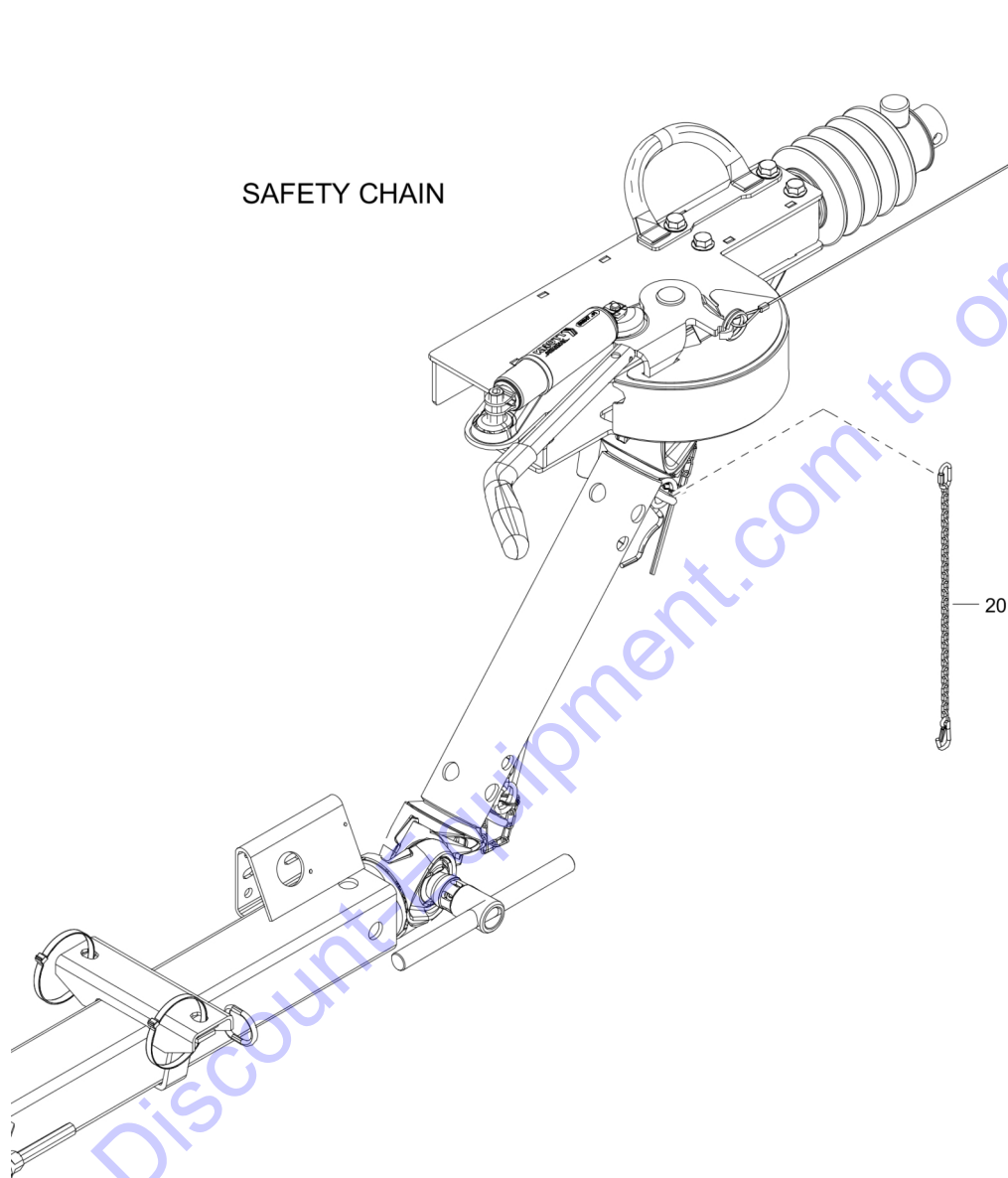
Go to Discount-Equipment.com to order your parts



Id	Qty	Number	Name	Specifications
10	1	1079990200	WARNING LABEL	
20	1	1638427600	TOWBAR	
30	1	1638427700	AXLE WITHOUT BRAKES	
35	2	0147141803	HEX. HEAD SCREW	
50	4	0301235800	PLAIN WASHER(A) 13 X 24 X 2.5	
70	2	1615957500	SPACER	
80	2	0301235800	PLAIN WASHER(A) 13 X 24 X 2.5	
100	2	1615924288	TYRE ASSY	
110	8	1626602900	BOLT HEXAGON	
120	1	1626949700	MUDGUARD	
125	1	1626949700	MUDGUARD	
130	8	1619276500	SCREW	
140	2	1626965800	Cover plate	
200	2	1638503500	CHAIN	
910	1	1638266700	DECAL INSTRUCT.	

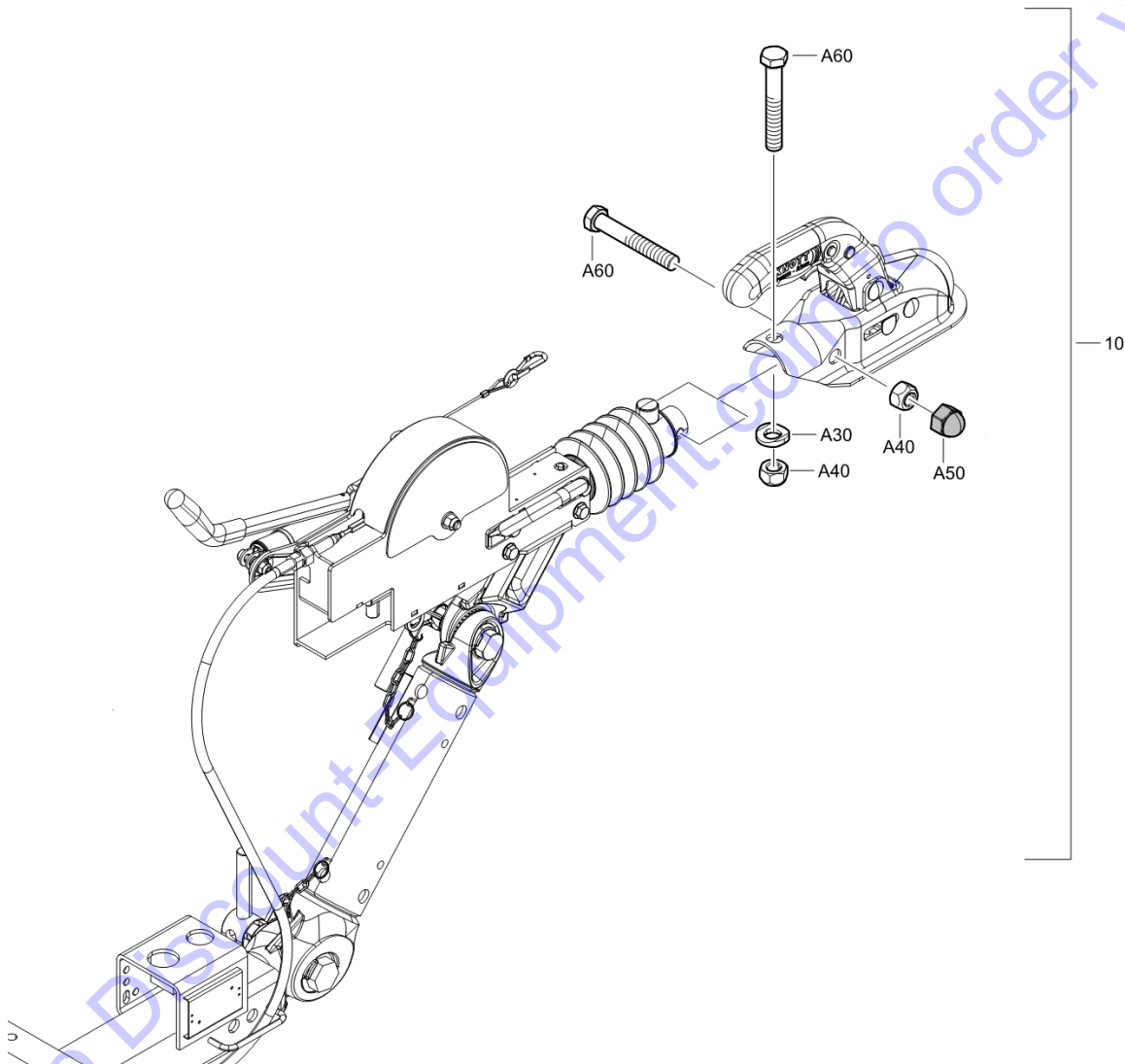
Go to Discount-Equipment.com to order your parts

SAFETY CHAIN



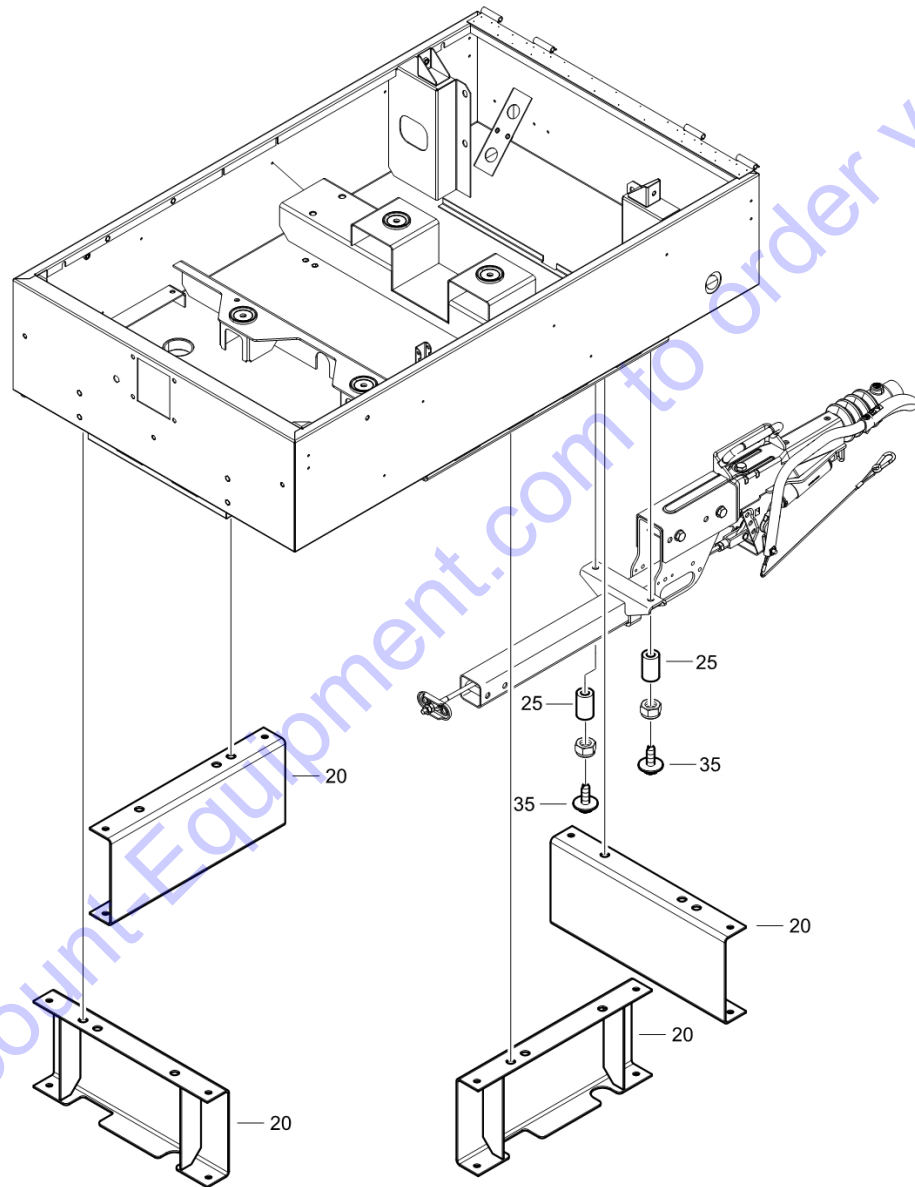
Id	Qty	Number	Name	Specifications
20	1	1638795400	CHAIN	

Go to Discount-Equipment.com to order your parts



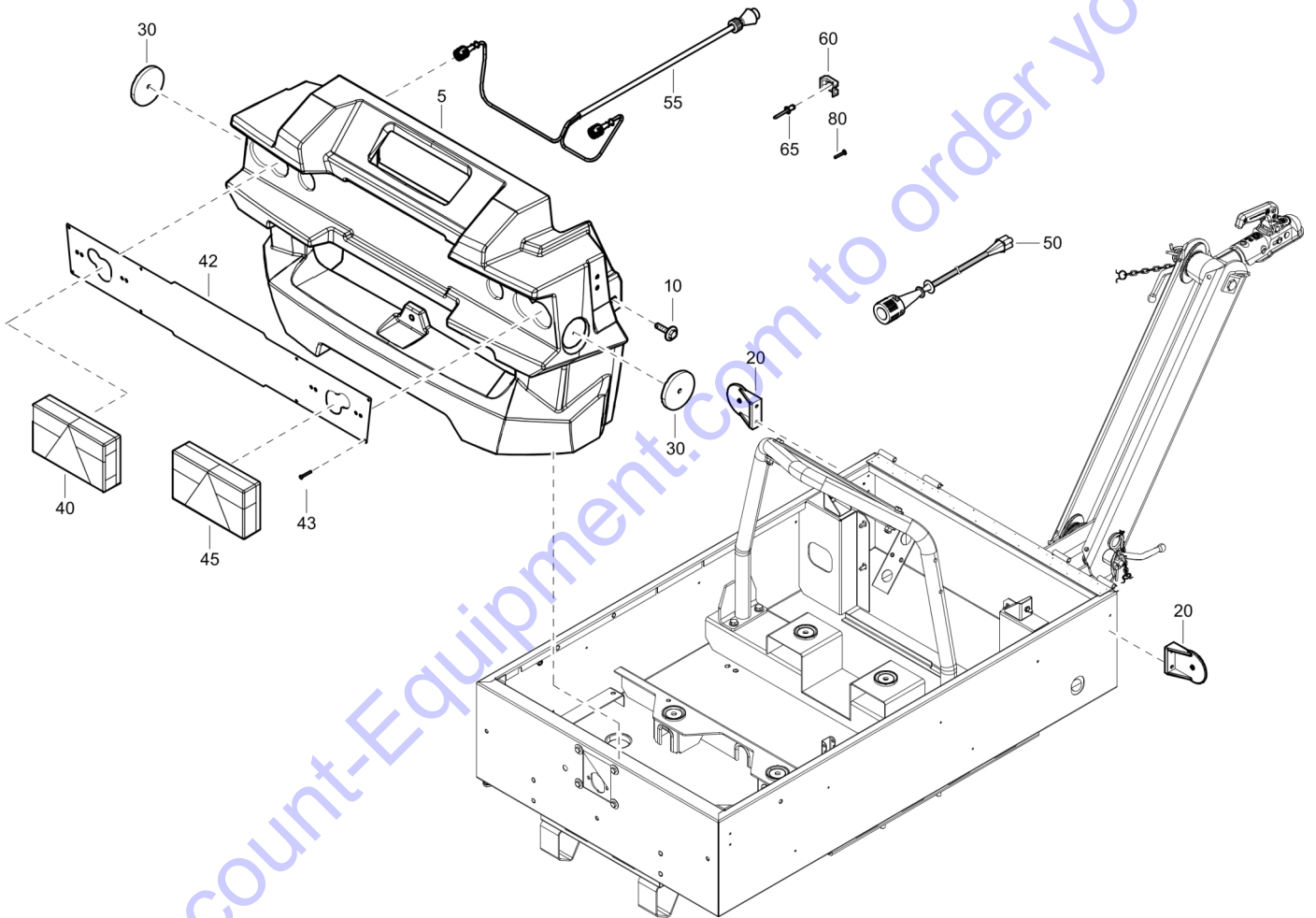
Id	Qty	Number	Name	Specifications
10	1		EYE TOWING BALL COUPLING	
A30	1	1638308300	WASHER PLAIN	
A40	2	1638308800	NUT LOCK	
A50	1	1638308900	CAP	
A60	2	0147196303	HEX. HEAD SCREW M12X70-10.9	

Go to Discount-Equipment.com to order your parts



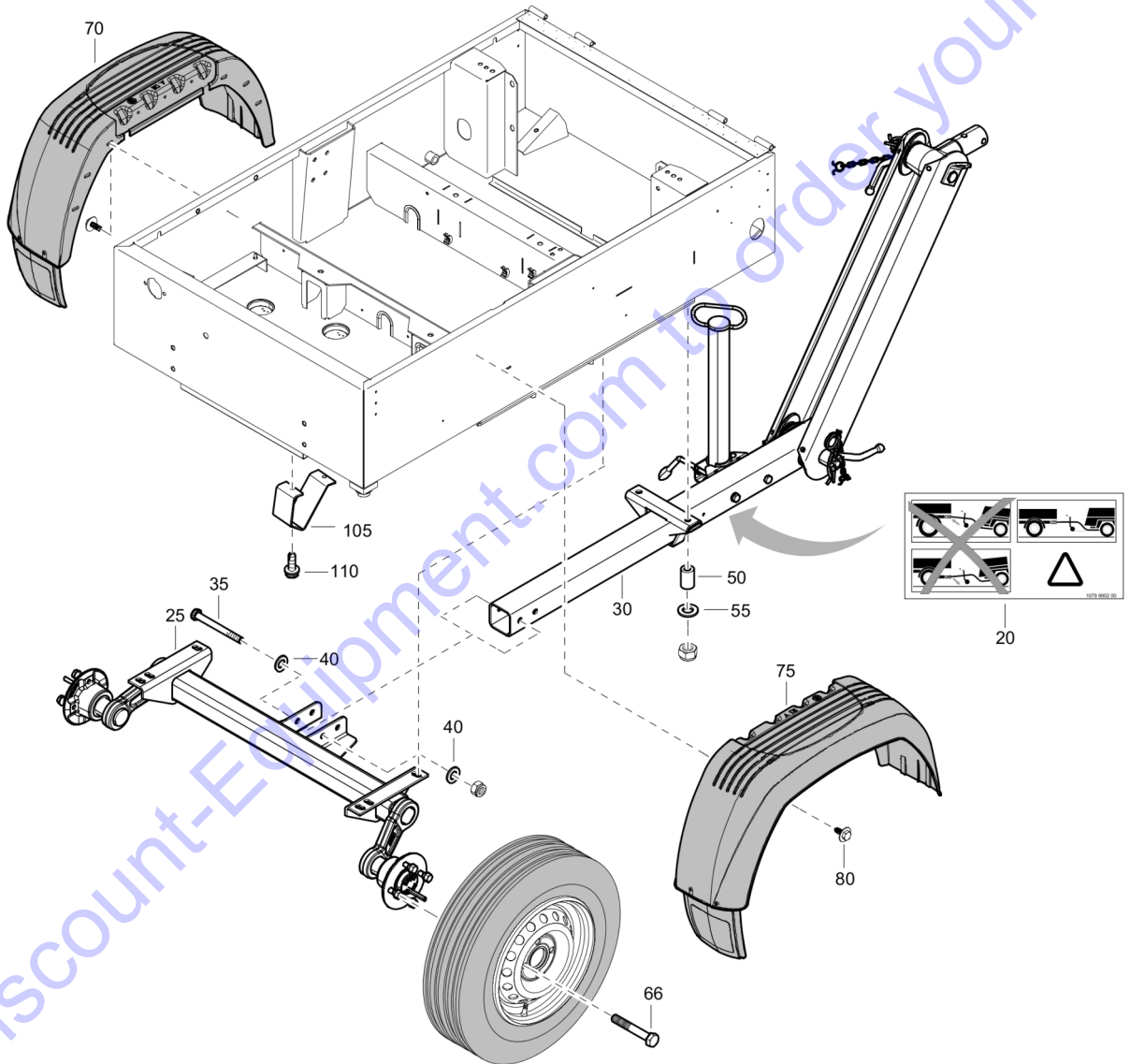
Id	Qty	Number	Name	Specifications
20	4	1626980802	SUPPORT	
25	2	1615957500	SPACER	
35	2	1615566400	HEXAGON BOLT	

Go to Discount-Equipment.com to order your parts



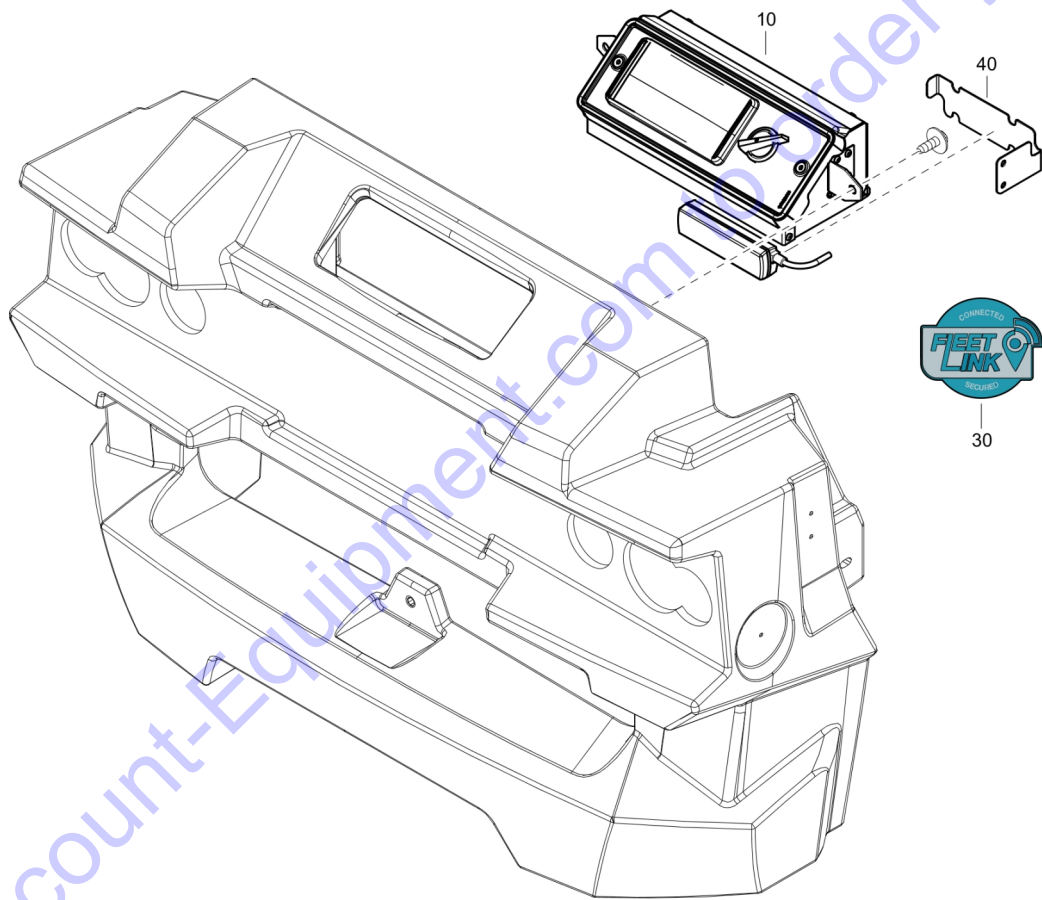
Id	Qty	Number	Name	Specifications
5	1	1638693380	Bumper	
10	5	1604646600	BOLT	
20	2	1605102900	REFLECTOR	
30	4	1615552000	REFLECTOR	
40	1	1626979500	LIGHT LEFT	
42	1	1638830700	SUPPORT MOUNT: ROADLIGHT HARNES	
43	6	0226004709	TAPPING SCREW	
45	1	1626979600	LIGHT RIGHT	
50	2	1638195302	WIRING STD	
55	1	1638121308	Wiring	
60	3	0348011003	ANCHOR PLATE	
65	3	0129317401	BLIND RIVET	
80	3	0226004705	SCREW TAPPING	

Go to Discount-Equipment.com to order your parts



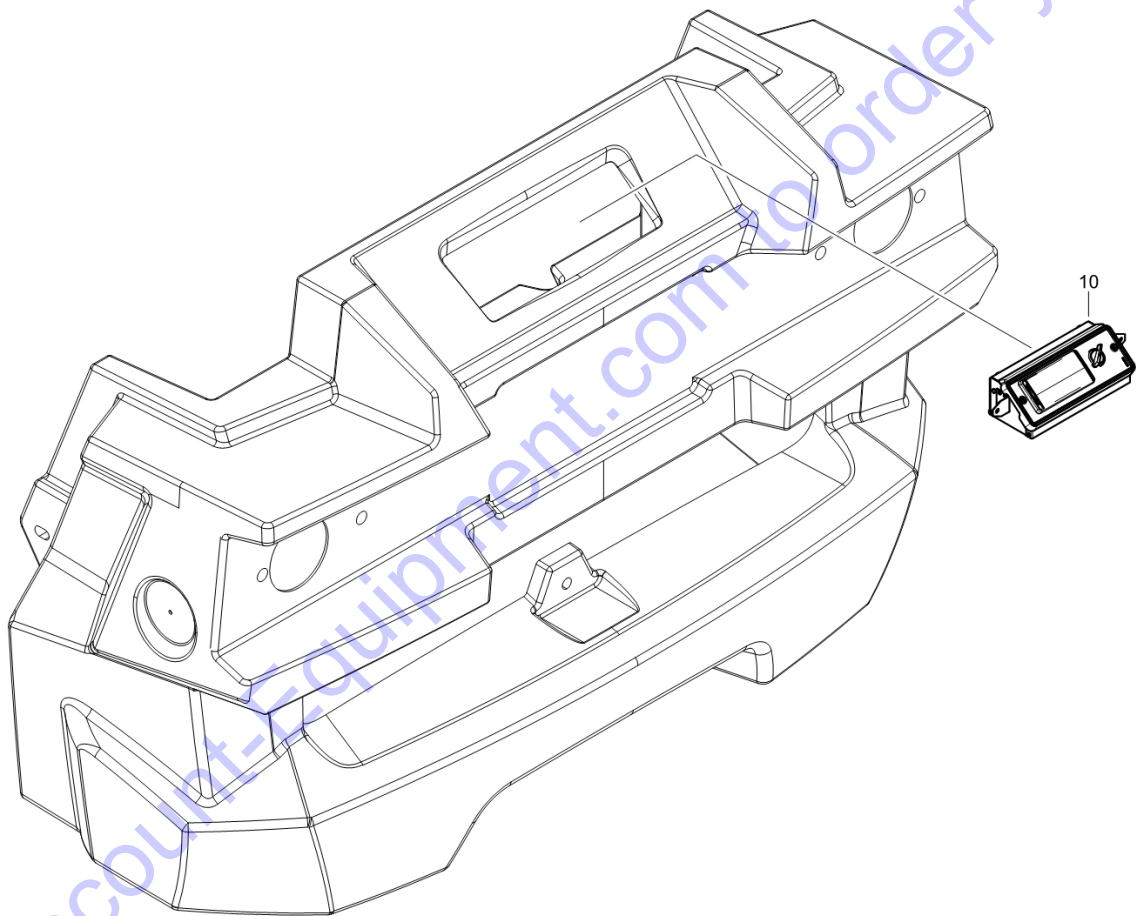
Id	Qty	Number	Name	Specifications
20	1	1079990200	WARNING LABEL	
25	1	1638427700	AXLE WITHOUT BRAKES	
30	1	1638513100	TOWBAR	
35	2	0147141803	HEX. HEAD SCREW	
40	4	0301235800	PLAIN WASHER(A) 13 X 24 X 2.5	
50	2	1615957500	SPACER	
55	4	0301235800	PLAIN WASHER(A) 13 X 24 X 2.5	
66	8	1626602900	BOLT HEXAGON	
70	1	1626949700	MUDGUARD	
75	1	1626949700	MUDGUARD	
80	8	1619276500	SCREW	
105	2	1626965800	Cover plate	
110	4	1619276600	SCR.BOLT M8X20	

Go to Discount-Equipment.com to order your parts



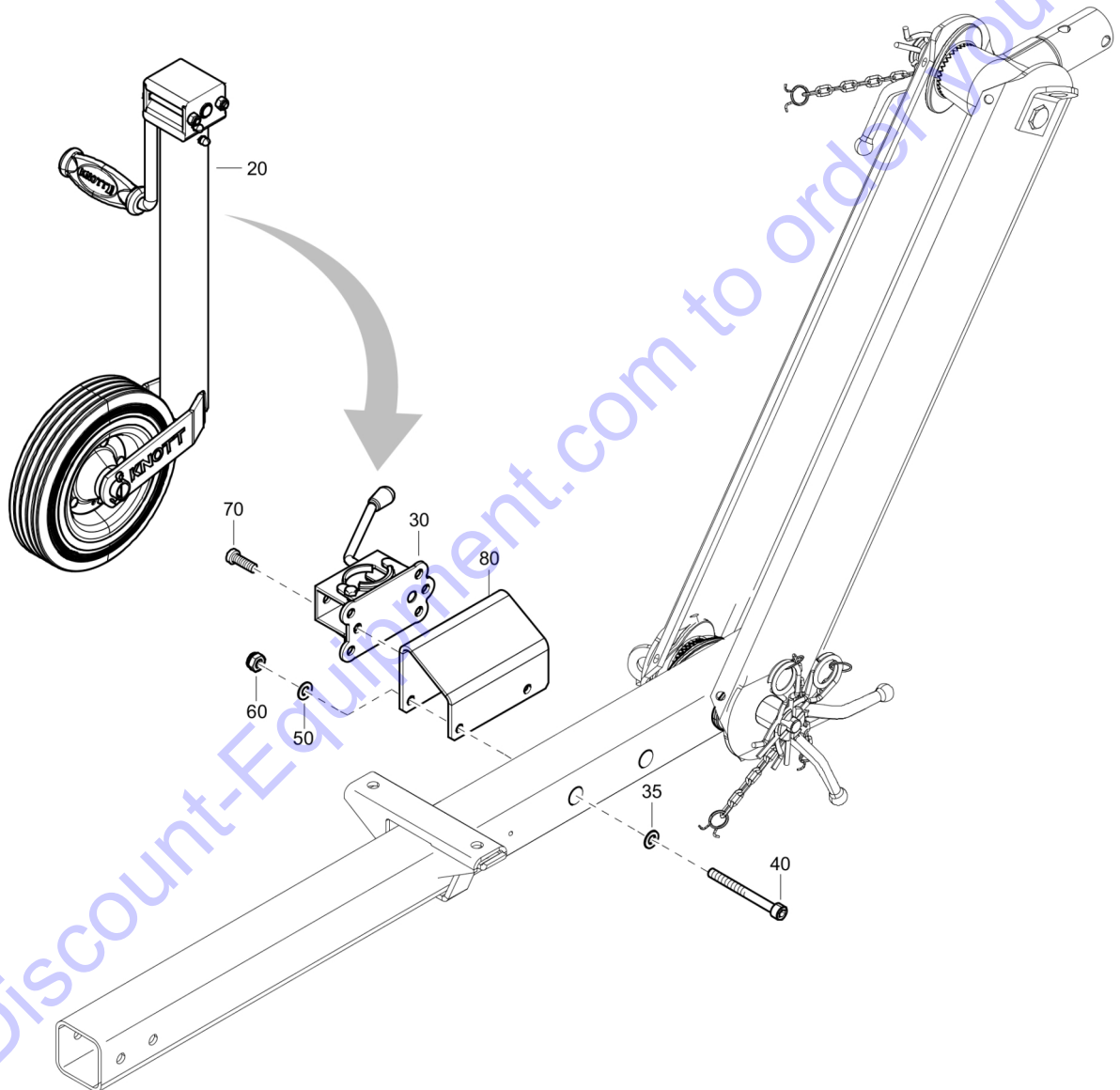
Id	Qty	Number	Name	Specifications
10	1	1638441483	Control panel BAX 3PH CB>50A	
30	2	1638370910	LABEL FLEETLINK BLUE	
40	1	1638383300	BRACKET	

Go to Discount-Equipment.com to order your parts



Id	Qty	Number	Name	Specifications
10	1	1638112289	CONTROL PANEL	

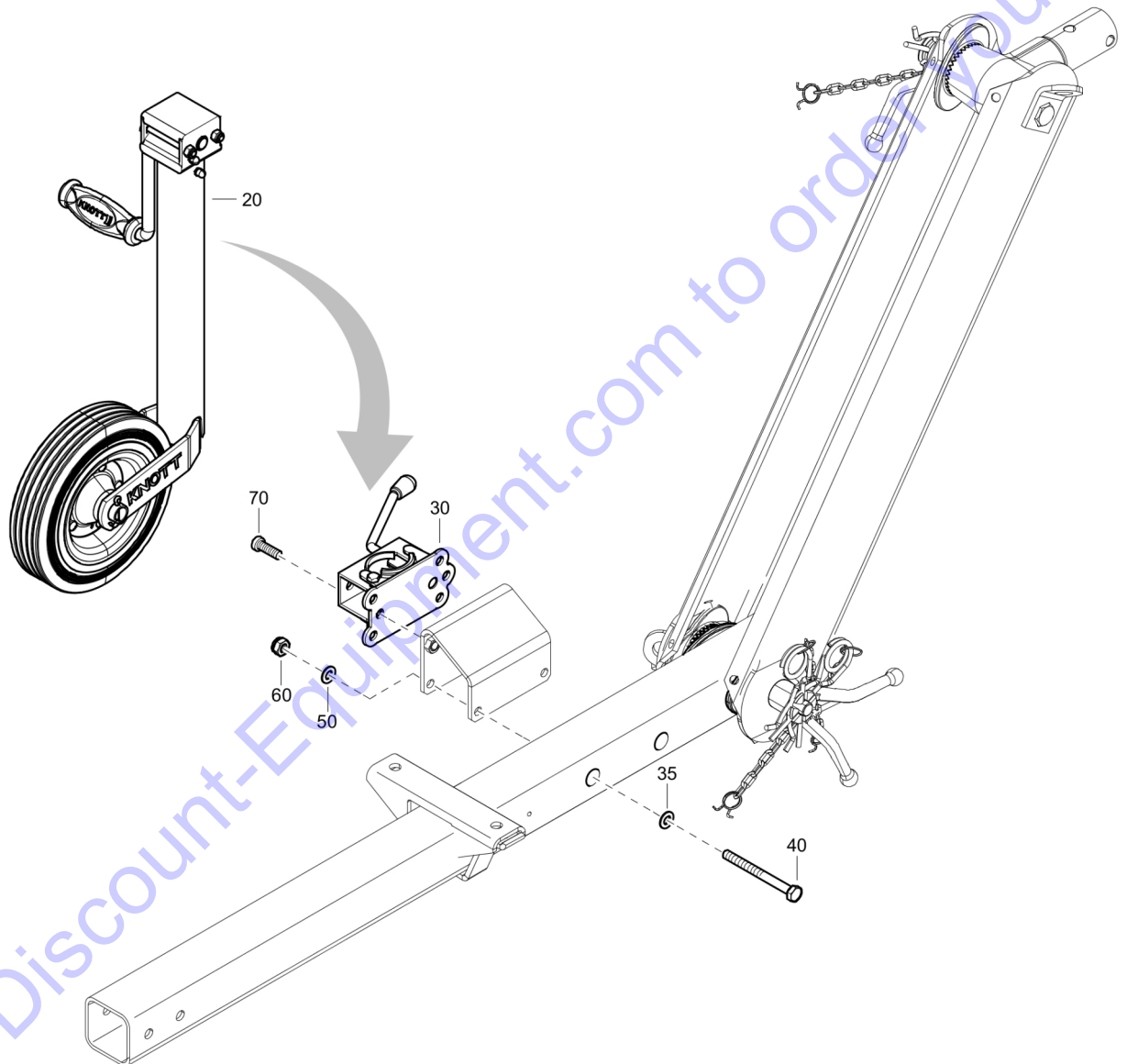
Go to Discount-Equipment.com to order your parts



Go to Discount-Equipment.com to order your parts

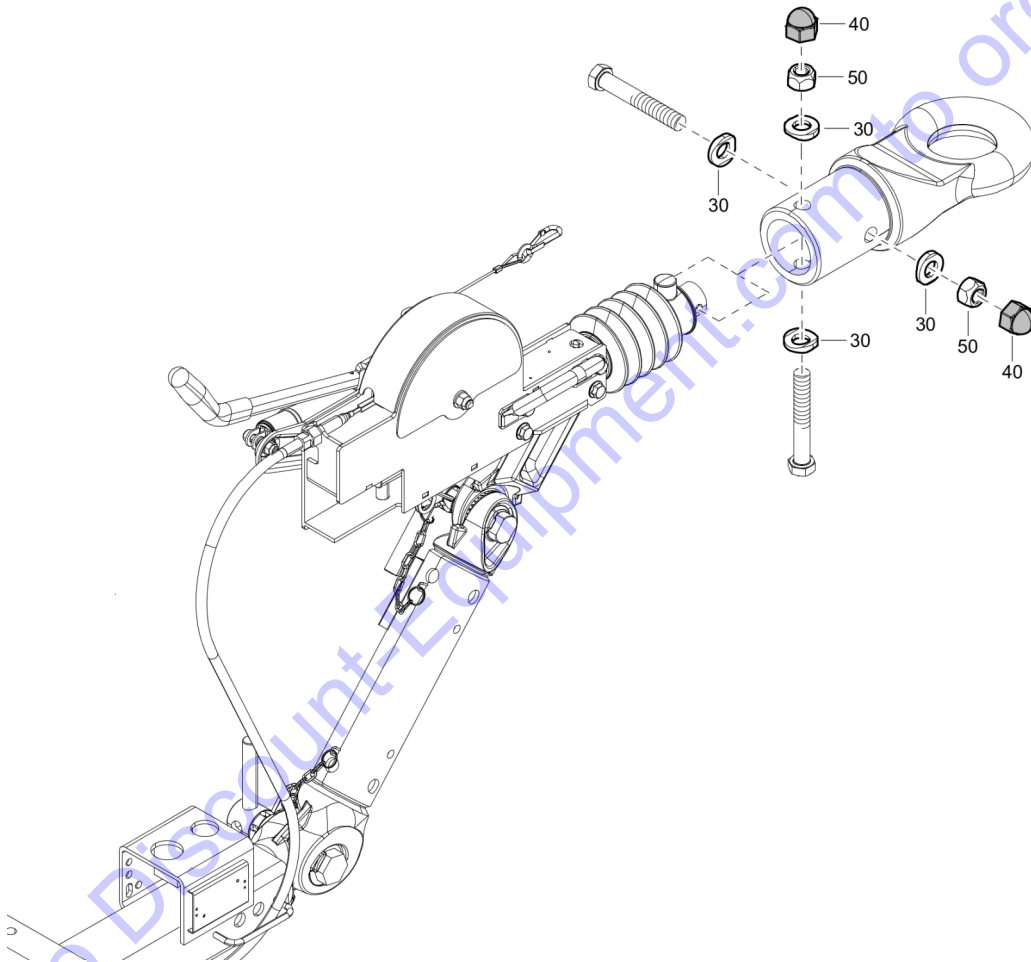
Id	Qty	Number	Name	Specifications
20	1	1638592500	JOCKEY WHEEL	
30	1	1638524700	CLAMP	
35	4	0301234400	WASHER PLAIN	
40	2	0211110251	HEX. SOCK M10X100X8.8	
50	2	0301234400	WASHER PLAIN	
60	2	0291111100	LOCKNUT	
70	2	0215000375	SCREW	
80	1	1638370000	BRACKET	

Go to Discount-Equipment.com to order your parts



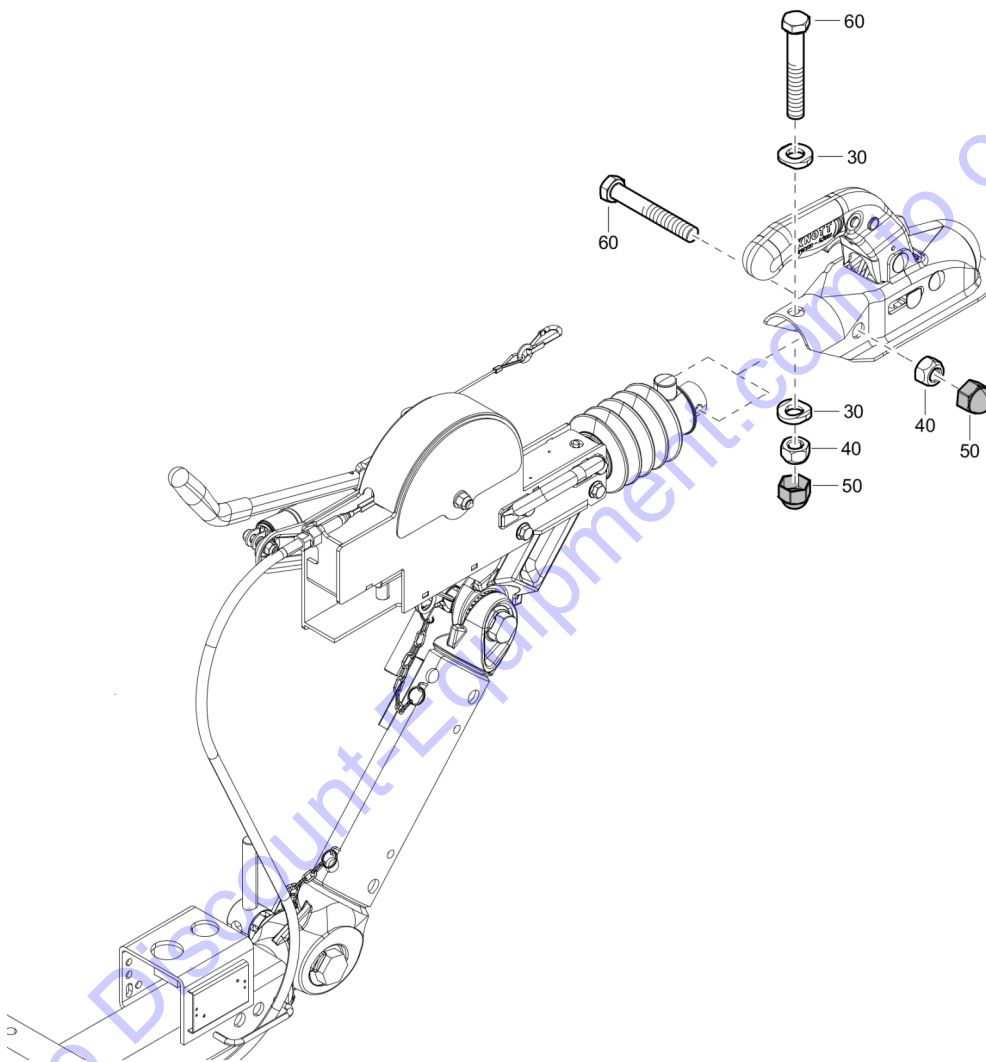
Id	Qty	Number	Name	Specifications
20	1	1638592500	JOCKEY WHEEL	
30	1	1638524700	CLAMP	
35	4	0301234400	WASHER PLAIN	
40	2	0211110251	HEX. SOCK M10X100X8.8	
50	2	0301234400	WASHER PLAIN	
60	2	0291111100	LOCKNUT	
70	2	0215000375	SCREW	

Go to Discount-Equipment.com to order your parts



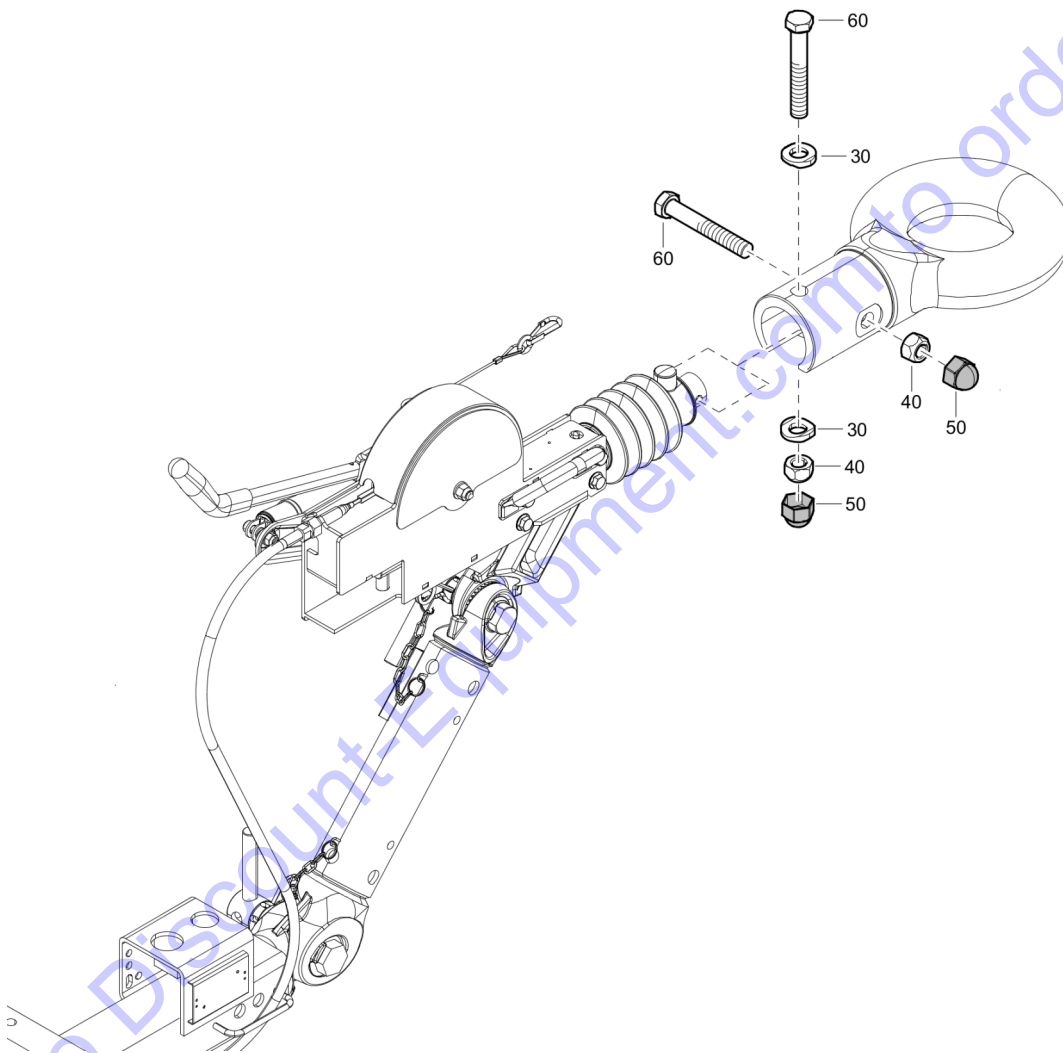
Id	Qty	Number	Name	Specifications
20	1	1638308000	Eye towing gb d50	
30	4	1638308300	WASHER PLAIN	
40	2	1638308900	CAP	
50	2	1638308800	NUT LOCK	

Go to Discount-Equipment.com to order your parts



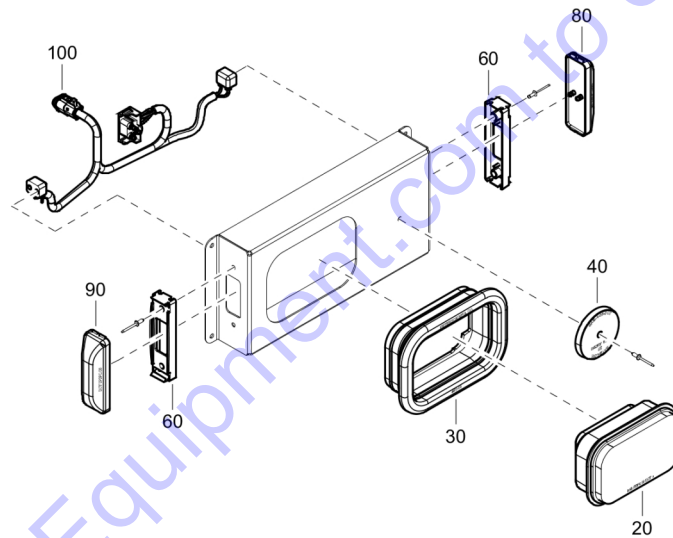
Id	Qty	Number	Name	Specifications
30	1	1638308300	WASHER PLAIN	
40	2	1638308800	NUT LOCK	
50	1	1638308900	CAP	
60	2	0147196303	HEX. HEAD SCREW M12X70-10.9	

Go to Discount-Equipment.com to order your parts



Id	Qty	Number	Name	Specifications
30	2	1638308300	WASHER PLAIN	
40	2	1638308800	NUT LOCK	
50	2	1638308900	CAP	
60	2	0147196304	SCREW	

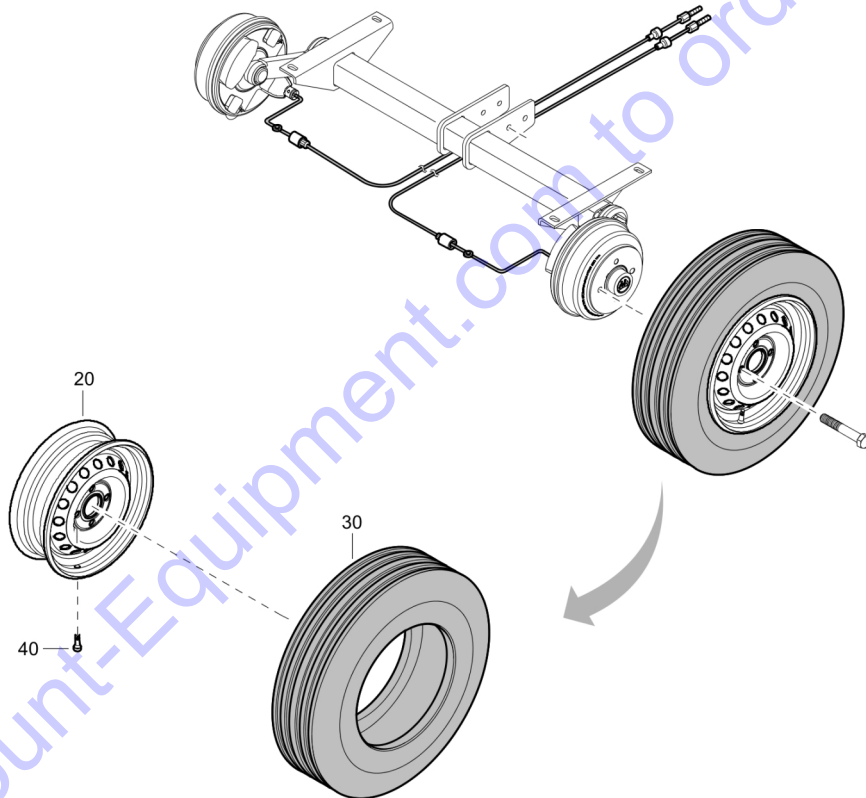
Go to Discount-Equipment.com to order your parts



Go to Discount-Equipment.com to order your parts

Id	Qty	Number	Name	Specifications
20	2	1638296000	LAMP	
30	2	1638296100	GROMMET	
40	2	1638315800	REFLECTOR	
60	4	1638315700	HOLDER LAMP	
80	2	1638296200	LAMP	
90	2	1638315600	LAMP	
100	2	1638313100	WIRING	

Go to Discount-Equipment.com to order your parts



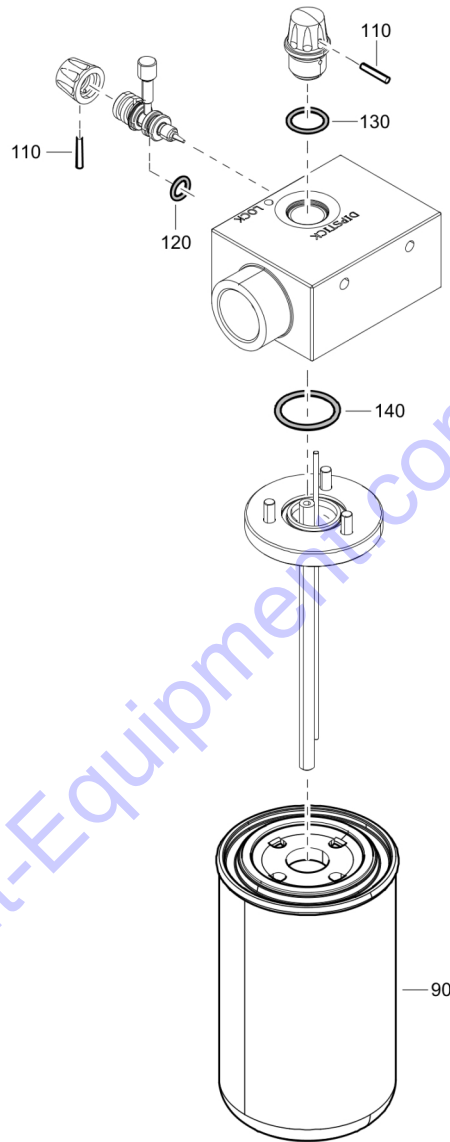
Id	Qty	Number	Name	Specifications
20	1	1604033200	DISC WHEEL	
30	1	0538040020	TIRE	
40	1	1615632200	VENTIL	

Go to Discount-Equipment.com to order your parts

Go to Discount-Equipment.com to order your parts

Id	Qty	Number	Name	Specifications
A20	1	1626945600	WHEEL	
A25	1	1626979800	TYRE	

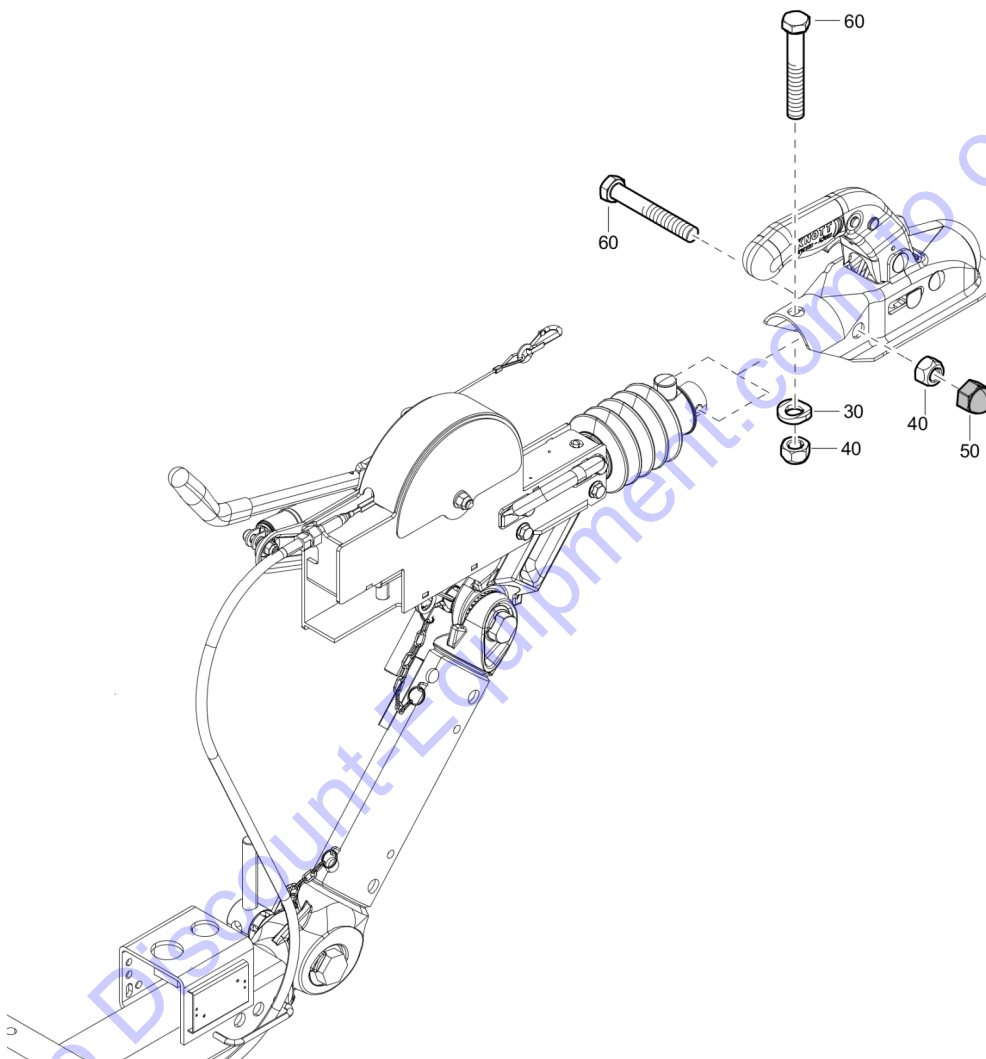
Go to Discount-Equipment.com to order your parts



Go to Discount-Equipment.com to order your parts

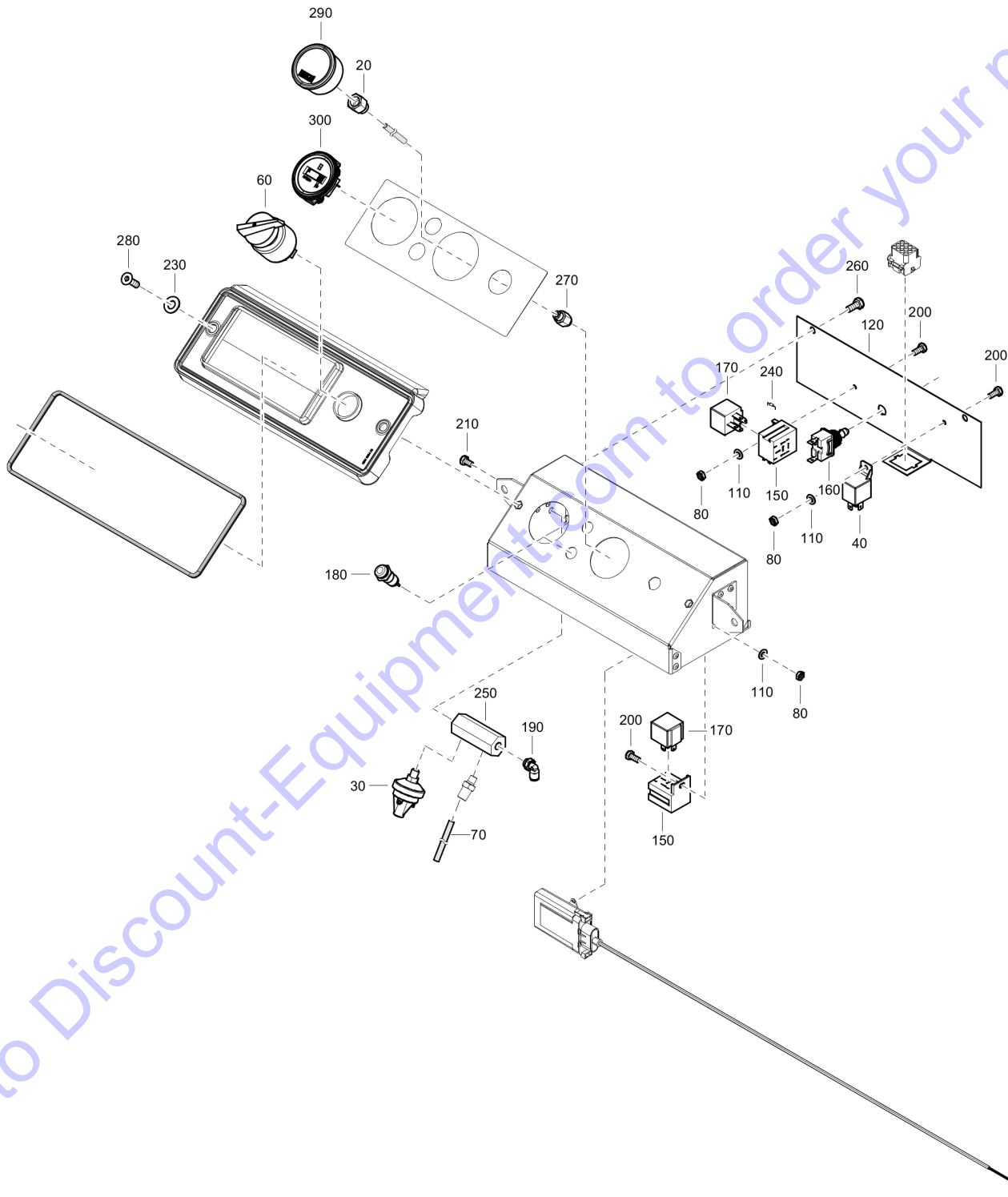
Id	Qty	Number	Name	Specifications
90	1	1638252600	BOWL	
110	2	0103127500	PIN	
120	1	0663311600	O-RING	
130	1	0663210540	O-RING	17.93X2.46
140	1	0663212900	O-RING	

Go to Discount-Equipment.com to order your parts

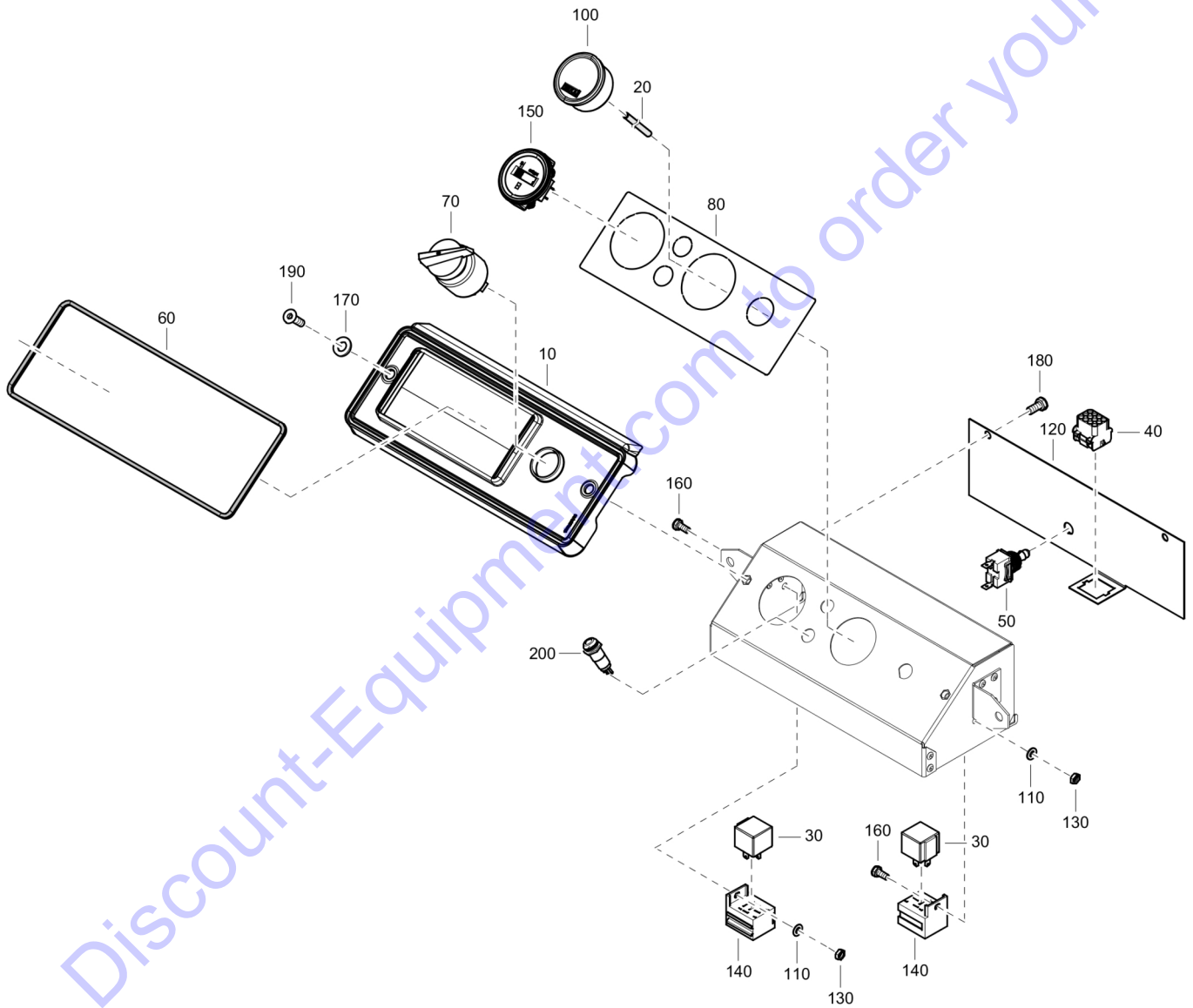


Id	Qty	Number	Name	Specifications
30	1	1638308300	WASHER PLAIN	
40	2	1638308800	NUT LOCK	
50	1	1638308900	CAP	
60	2	0147196303	HEX. HEAD SCREW M12X70-10.9	

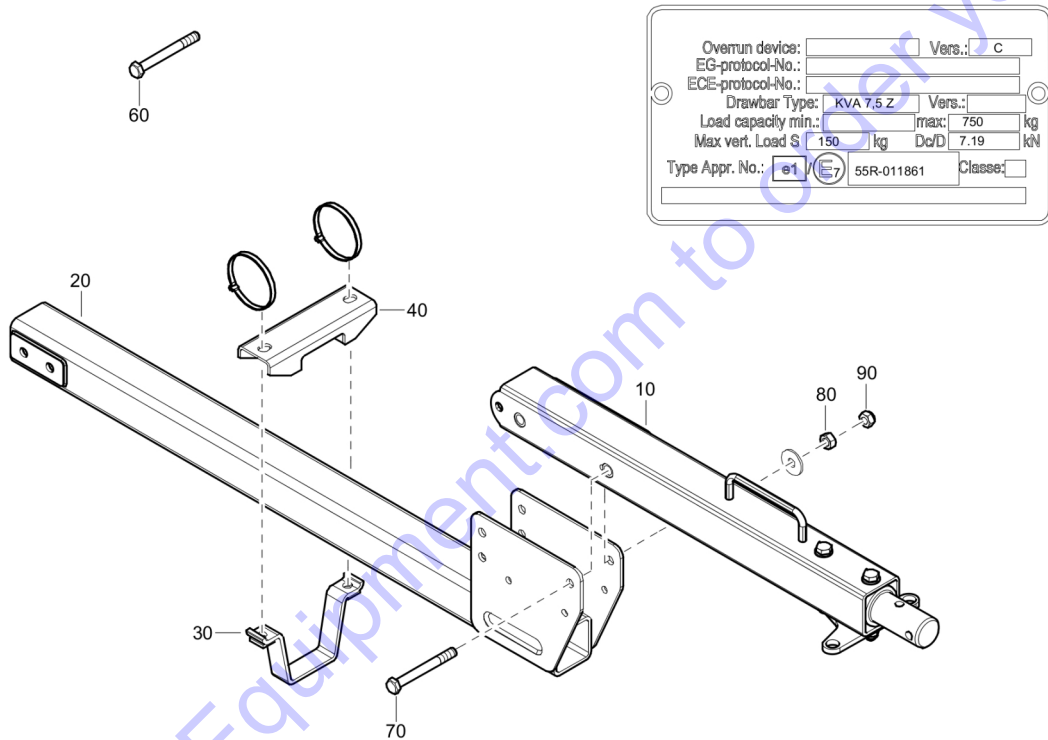
Go to Discount-Equipment.com to order your parts



Id	Qty	Number	Name	Specifications
20	1	0607115105	REDUCING SOCKET	
30	1	1638441600	SWITCH PRESS	
40	1	1638441500	RELAY AUX.	
60	1	1626964801	SWITCH POWER	
70	2	0070600204	PLASTIC TUBE	
80	4	0261210700	HEXAGON NUT M5	
110	4	0301231800	FLAT WASHER 5.3X10X1.0	
120	1	1638441700	PLATE	
150	3	1638294800	SOCKET	
160	1	1626980701	SWITCH	
170	3	1638294700	RELAY AUX.	
180	2	1607852360	INDICATOR	
190	1	9090151800	COUPL. ELBOW 1/8 INCH -6MM	
200	4	0147120403	SCREW:M 5X 10;HEX HD,ZN PLT \$\$	
210	1	0147120303	BOLT	
230	2	0301233500	PLAIN WASHER(A) 8.4 X 16 X 1.6	
240	5	1638516500	DIODE	
250	1	1638440600	MANIFOLD	
260	2	0147124403	BOLT M6*12 FZB	
270	1	0583810076	ELBOW COUPLING	
280	2	0216124703	SCREW	
290	1	1626964402	INDICATOR PRESS	
300	1	1607852736	METER HOUR	

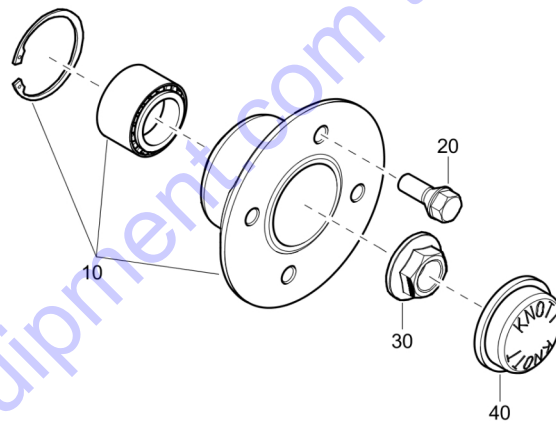


Id	Qty	Number	Name	Specifications
10	1	1638225400	COVER PROTECT.	
20	1	0070600204	PLASTIC TUBE	
30	3	1638294700	RELAY AUX.	
40	1	1088001530	CONNECTOR	
50	1	1626980701	SWITCH	
60	1	1638244600	SEAL GASKET	
70	1	1626964801	SWITCH POWER	
80	1	1638213001	DECAL CONTROL PANEL	
100	1	1626964402	INDICATOR PRESS	
110	3	0301231800	FLAT WASHER 5.3X10X1.0	
120	1	1638112305	PLATE BACK	
130	3	0261210700	HEXAGON NUT M5	
140	3	1638294800	SOCKET	
150	1	1607852736	METER HOUR	
160	3	0147120403	SCREW:M 5X 10;HEX HD,ZN PLT \$S	
170	2	0301233500	PLAIN WASHER(A) 8.4 X 16 X 1.6	
180	2	0147124403	BOLT M6*12 FZB	
190	2	0216124703	SCREW	
200	2	1638917700	INDICATOR	



Id	Qty	Number	Name	Specifications
10	1	2914200001	DRAWBAR	
20	1	2914200002	DRAWBAR REAR PIECE	
30	1	2914102801	BRACKET CLAMP	
40	1	2914102807	CLAMP	
60	2	0147141703	HEXAGON BOLT	
70	2	0147141703	HEXAGON BOLT	
80	2	2914257800	NUT	
90	2	0266211200	HEXAGON NUT	

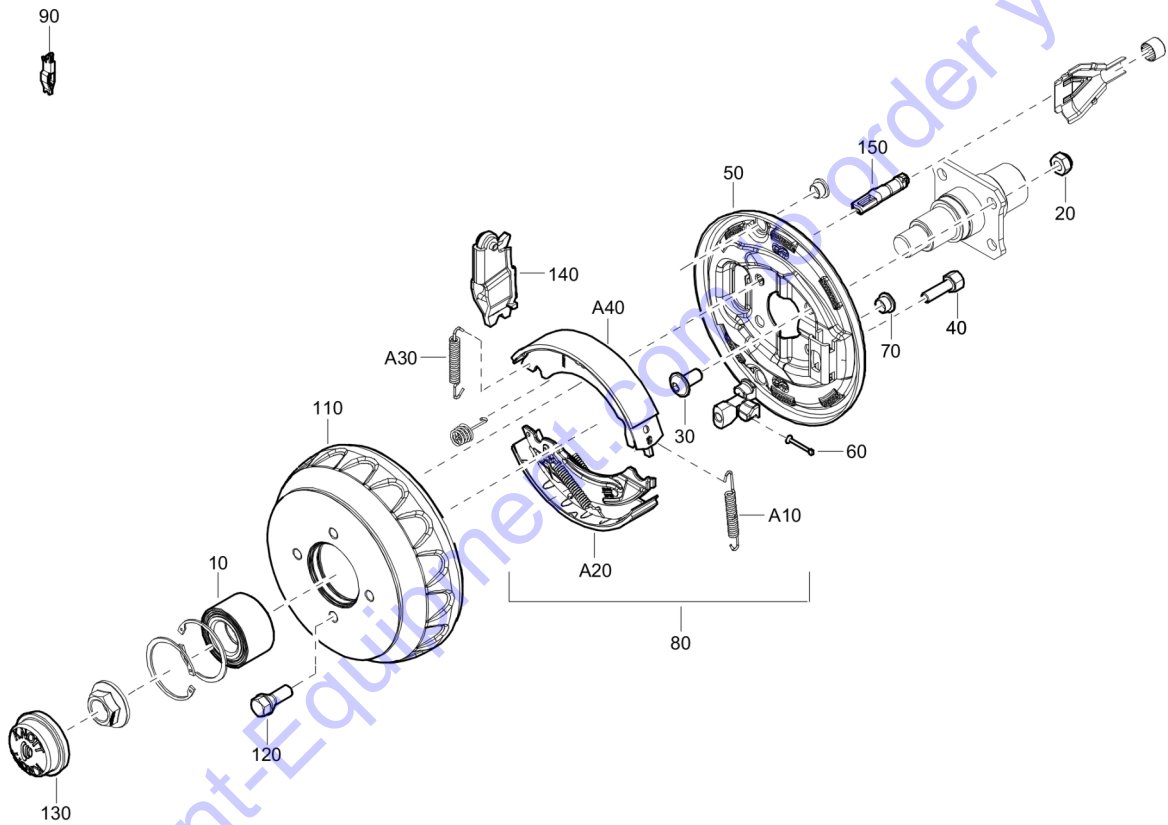
Go to Discount-Equipment.com to order your parts



Go to Discount-Equipment.com to order your parts

Id	Qty	Number	Name	Specifications
10	1	2914061500	BEARING KIT	
20	4	2914049300	WHEEL BOLT CONICAL 60	
30	1	2914102602	NUT	
40	1	2914061300	HUB CAP	

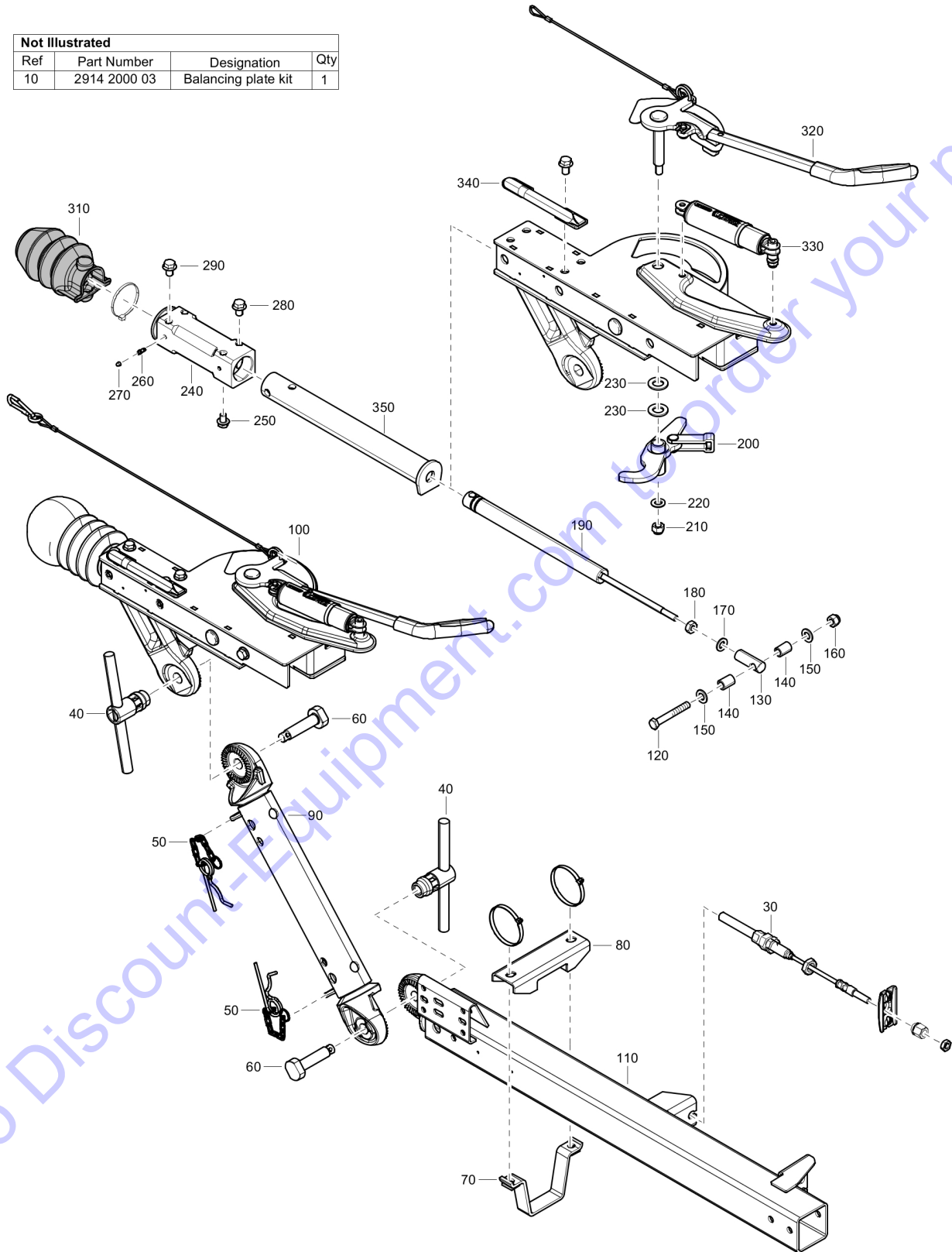
Go to Discount-Equipment.com to order your parts



Id	Qty	Number	Name	Specifications
10	1	2914102603	BEARING BALL	
20	4	2914257800	NUT	
30	4	2914104000	HEX. SOCKET SCREW	
40	1	2914104100	ADJUSTMENT BOLT	
50	2	2914104200	ADJUSTMENT BLOCK	
60	1	2914104300	ADJUSTMENT BOLT	
70	1	2914104400	PLUG	
80	1	2911000065	BRAKE SHOE KIT	
90	1	2914102608	CLASP	
110	1	2914105000	BRAKE DRUM ASSEMBLY	
120	4	2914049300	WHEEL BOLT CONICAL 60	
130	1	2914102601	HUB CAP	
140	1	2914102607	SPREAD LEVER	
150	1	2914105100	HOOKING FORK	

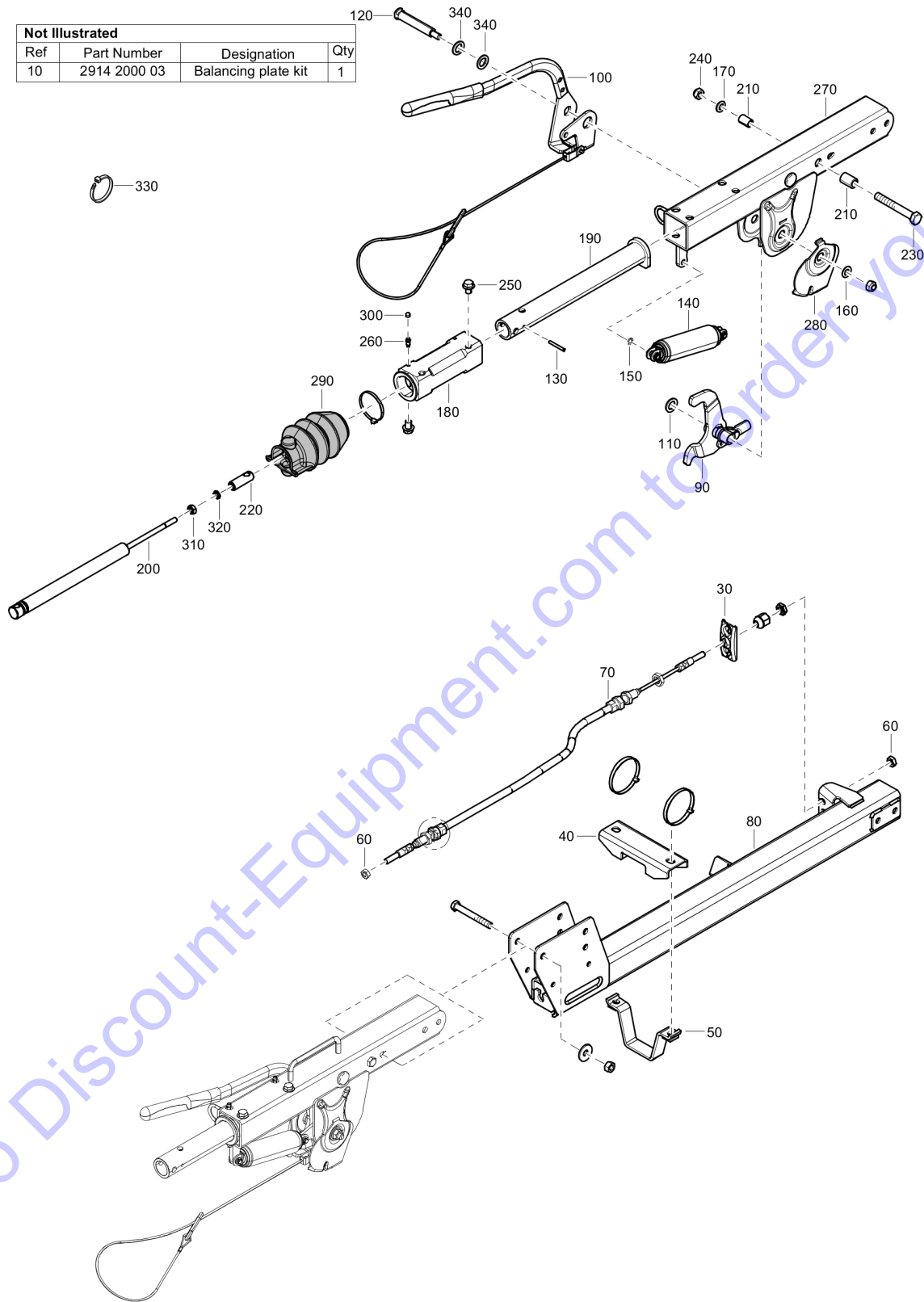
Go to Discount-Equipment.com to order your parts

Not Illustrated			
Ref	Part Number	Designation	Qty
10	2914 2000 03	Balancing plate kit	1

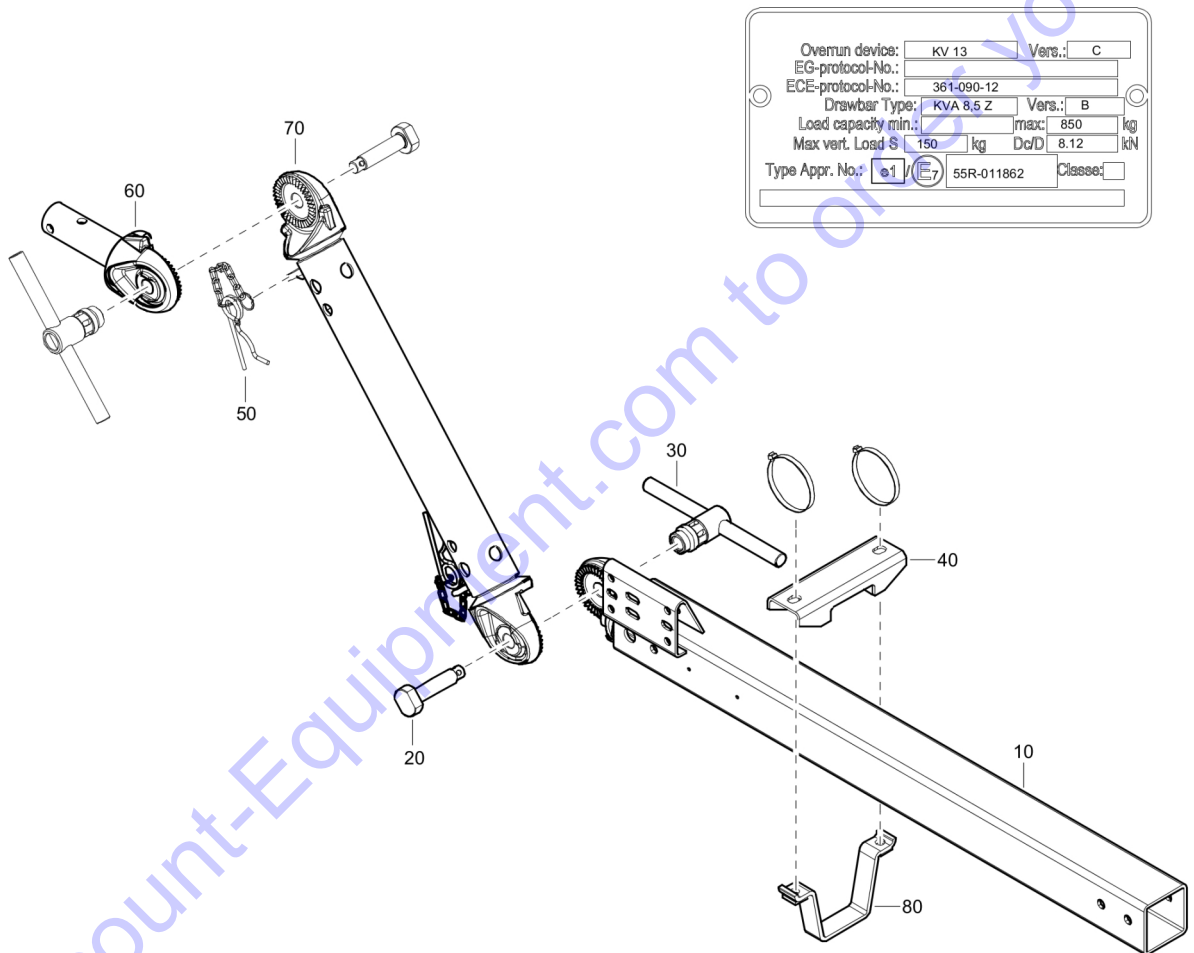


Id	Qty	Number	Name	Specifications
10	1	2914200003	BALANCING PLATE KIT	
30	1	2914102802	BRAKE CABLE ASSY	
40	2	2914102804	TOMMY NUT	
50	2	2914200017	COTTER PIN	
60	2	2914102803	BOLT	
70	1	2914200020	CLAMPING BRACKET	
80	1	2914200016	CLAMPING PATH	
90	1	2914200019	SPACER	
100	1	2914200021	OVERRUN BRAKE	
110	1	2914200022	DRAWBAR BOTTOM PIECE	
120	1	2914103010	HEX BOLT	
130	1	2914103019	PISTON	
140	2	2914103011	DISTANCE SLEEVE	
150	2	2914257700	WASHER	
160	4	2914257800	NUT	
170	1	2914103020	RING	
180	1	2914103021	NUT	
190	1	2914103018	ABSORBER	
200	1	2914200023	BRAKE LEVER	
210	4	2914257800	NUT	
220	2	2914257700	WASHER	
230	2	2914200014	PLASTIC WASHER	
240	1	2914103015	BUSH	
250	4	2914103003	LOCKING SCREW	
260	2	2914103016	LUBRICATING NIPPLE	
270	2	2914103004	CAP	
280	2	2914103003	LOCKING SCREW	
290	2	2914200026	LOCKING SCREW	
300	1	1088130106	CABLE TIE	
310	1	2914103022	BELLOWS	
320	1	2914200024	HANDBRAKE	
330	1	2914200025	DAMPED SPRING KIT	
340	1	2914103403	HANDGRIP	
350	1	2914103017	EYE HOUSING	

Not Illustrated			
Ref	Part Number	Designation	Qty
10	2914 2000 03	Balancing plate kit	1

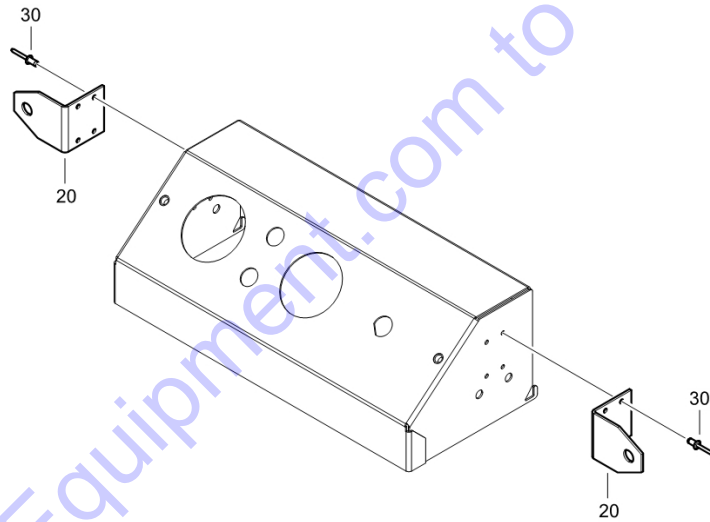


Id	Qty	Number	Name	Specifications
10	1	2914200003	BALANCING PLATE KIT	
30	1	2914200004	OVERRUN BRAKE	
40	1	2914102807	CLAMP	
50	1	2914102801	BRACKET CLAMP	
60	1	2914103021	NUT	
70	1	2914403700	BRAKE CABLE ASSLY	
80	1	2914200005	DRAWBAR REAR PIECE	
90	1	2914200006	BRAKE LEVER	
100	1	2914200007	HANDBRAKE LEVER	
110	1	2914200008	DISK	
120	1	2914200009	BOLT	
130	1	2914103000	CYLINDER PIN	
140	1	2914200010	DAMPED SPRING	
150	2	2914103001	LOCKWASHER	
160	1	2914257700	WASHER	
170	1	2914200011	WASHER	
180	1	2914103015	BUSH	
190	1	2914103017	EYE HOUSING	
200	1	2914103018	ABSORBER	
210	2	2914103011	DISTANCE SLEEVE	
220	1	2914103019	PISTON	
230	1	2914103010	HEX BOLT	
240	2	2914257800	NUT	
250	4	2914103003	LOCKING SCREW	
260	2	2914103016	LUBRICATING NIPPLE	
270	1	2914200012	OVERRUN BRAKE HOUSING	
280	1	2914200013	SLIDING PIECE	
290	1	2914103022	BELLOWS	
300	2	2914103004	CAP	
310	4	2914103021	NUT	
320	1	2914103020	RING	
330	1	1088130106	CABLE TIE	
340	2	2914200014	PLASTIC WASHER	



Id	Qty	Number	Name	Specifications
10	1	2914200015	DRAWBAR REAR PIECE	
20	1	2914102803	BOLT	
30	1	2914102804	TOMMY NUT	
40	1	2914200016	CLAMPING PATH	
50	1	2914200017	COTTER PIN	
60	1	2914200018	FRONT PIECE	
70	1	2914200019	SPACER	
80	1	2914200020	CLAMPING BRACKET	

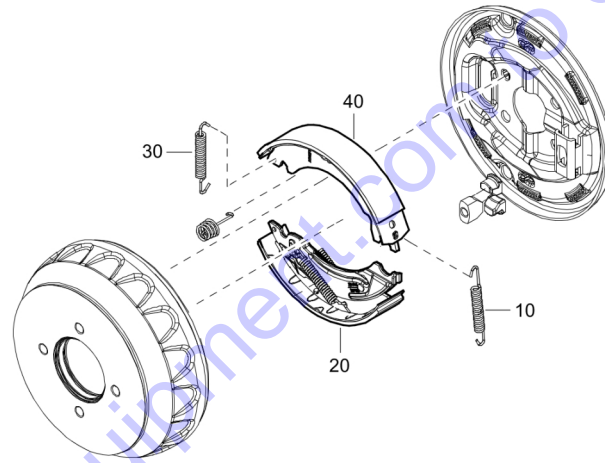
Go to Discount-Equipment.com to order your parts



Go to Discount-Equipment.com to order your parts

Id	Qty	Number	Name	Specifications
20	2	1638554700	PLATE	

Go to Discount-Equipment.com to order your parts



Go to Discount-Equipment.com to order your parts

Id	Qty	Number	Name	Specifications
10	1	2914104500	SPRING	
20	1	2914104600	Brake shoe	
30	1	2914104700	SPRING	
40	1	2914104800	Brake shoe	

Go to Discount-Equipment.com to order your parts

Part no	Part no	Part no	Part no	Part no	Part no
	Compressor_oil_Geno		2912500202		2911000050
	2911000050		2911000050		2911000050
	2911000050		2911000050		2911000050
	2911000050		2911000050		2911000050
	2912500203		2912500203		2912500203
	2912500203		2912500203		2912500203
	2912500203		2912500203		2912500203
	2912500202		2912500202		2912500202
	1638288381		1638288381		1638288381
	1638288381		1611701232		Compressor_oil_Geno
	2911005100		Compressor_oil_Geno		2911005100
	2911005100		2911005100		2911005100
	Engine_oil_Genoil		2911005100		1638288381
	2911005100		Engine_oil_Genoil		2912500202
	2911005100		Engine_oil_Genoil		1638288381
	1638288381		2911005100		2911005100
	2911005100		2911005100		1638288381
	1638288381	0070600204	1638441485	0070600204	1638881680
0070600204	1611716031_03W	0070600204	1611716031_03W	0070600205	1611716031_03W
0070600248	1611716931_06W	0075402543	1611715731	0075402543	1611715731
0075402543	1611715731	0075402569	1611716731_05W	0075402569	1611716931_06W
0075402569	1611716931_06W	0075402599	1611715731	0075402599	1611715731
0075402599	1611715731	0075402599	1611715731	0075402599	1611715731
0075402606	1611716731_05W	0101231135	1611715931	0103127500	1638121680
0129317401	1611711231	0129317401	1638158585	0129317401	1611747031
0129327034	1611505231	0129327034	1611716831	0144324320	1611715931
0144328403	1611717031	0147111126	1611715931	0147120303	1638441485
0147120403	1638163183	0147120403	1638441485	0147120403	1638881680
0147120503	1638043480	0147120503	1638288381	0147124403	1611717131
0147124403	1638881680	0147124403	1638043480	0147124403	1638288381
0147124403	1638441485	0147124603	1611737931	0147124703	1611731031
0147124703	1611731031	0147124703	1611711231	0147124703	1611711231
0147124903	1611711231	0147124903	1611716731_05W	0147125112	1638123180
0147125112	1638123181	0147125403	1611715731	0147125703	1638123181
0147125703	1638123180	0147132203	1611711231	0147132303	1611717631
0147132303	1611717031	0147132503	1611717031	0147132503	1611716731_05W
0147132503	1611715731	0147132503	1611737931	0147132503	1611716931_06W
0147132603	1611737931	0147132703	1611700007	0147132703	1611717031
0147133103	1611717631	0147133303	1611715731	0147136203	1611812431
0147137103	1611716631	0147137103	1611715931	0147140015	1611716831
0147141703	2914900047	0147141703	2914900047	0147141803	1611745031
0147141803	1611744731	0147195874	1611716631	0147195874	1611715931
0147195942	1611711231	0147195945	1611716631	0147196303	1611701232
0147196303	1638746380	0147196303	1611701233	0147196303	1638307780
0147196304	1611853214	0147196304	1611853014	0147196304	1638307880
0211110251	1611815931	0211110251	1611815831	0211110576	1611715931
0211136303	1611715931	0211136403	1611715931	0211137503	1611715931
0211220570	1611715931	0215000375	1611815831	0215000375	1611815931
0216124703	1638441485	0216124703	1638881680	0216132403	1611731031
0216195738	1611715931	0226004705	1611747031	0226004709	1611745631
0226004709	1611747031	0226333012	1638043480	0226333012	1638288381
0226334317	1638163183	0226991510	1611711231	0246129604	1638158585
0246195657	1638158585	0261210700	1638163183	0261210700	1638881680
0261210700	1638441485	0261210800	1638167880	0266113802	1611731331
0266210800	1611731031	0266210800	1611731031	0266210800	1611716031_03W
0266211000	1611716031_03W	0266211000	1611715731	0266211200	2914900047
0291110800	1611715731	0291111000	1611711231	0291111000	1638123180
0291111000	1638123181	0291111100	1611815831	0291111100	1611814531
0291111100	1611815931	0291111100	1611812431	0291111200	1611731331
0291112815	1611716031_03W	0291112818	1611716931_06W	0291112818	1611731031
0291112818	1611737931	0298100180	1611731031	0300027602	1611731331
0300801900	1611731031	0300801900	1611717031	0301231800	1638881680

Part no	Part no	Part no	Part no	Part no	Part no
0301231800	1638441485	0301231800	1638163183	0301232100	1638123180
0301232100	1611737931	0301232100	1638043480	0301232100	1638123181
0301232100	1611731031	0301232100	1611715731	0301232100	1611869012
0301232100	1638288381	0301232100	1611717131	0301232100	1611731031
0301233500	1638441485	0301233500	1611715731	0301233500	1638123181
0301233500	1611716031_03W	0301233500	1611717631	0301233500	1611737931
0301233500	1611717631	0301233500	1611717031	0301233500	1611717631
0301233500	1638881680	0301233500	1611716731_05W	0301233500	1638123180
0301233500	1611700007	0301233500	1611711231	0301234400	1611814531
0301234400	1611814531	0301234400	1611812431	0301234400	1611815831
0301234400	1611716631	0301234400	1611715931	0301234400	1611815931
0301234400	1611815931	0301234400	1611716631	0301234400	1611815831
0301235800	1611729131	0301235800	1611744731	0301235800	1611745031
0301235800	1611745031	0301235800	1611744731	0324180069	1611716031_03W
0333322700	1611717631	0346100210	1611716931_06W	0346100210	1611737931
0346300115	1611716631	0347012207	1611715731	0347012207	1611715731
0347012207	1611715731	0347610004	1611717031	0347610055	1611717631
0347610400	1611716731_05W	0347610800	1611716731_05W	0347610900	1611716731_05W
0347611200	1611717031	0347611300	1611717031	0347611500	1611717031
0348010124	1611711231	0348011003	1611745631	0348011003	1611747031
0500451021	1638123180	0500451021	1638123181	0538040020	1615924288
0538040020	1611730031	0560020001	1611731031	0560020001	1611732931
0571001008	1611715731	0571002034	1611716931_06W	0571002034	1611716931_06W
0571002034	1611716931_06W	0571002034	1611716931_06W	0571003536	1611731031
0583810057	1611716031_03W	0583810057	1611716031_03W	0583810076	1638441485
0583810076	1611716031_03W	0583810076	1611716031_03W	0583810152	1611716931_06W
0583812100	1611716931_06W	0603410096	1611724531	0603420026	1611716931_06W
0607115105	1638441485	0627420012	1611716931_06W	0653106200	1611716931_06W
0653106200	1611716931_06W	0653110000	1611716931_06W	0653112800	1611716931_06W
0653116200	1638213380	0661100029	1611717631	0661100040	1638213380
0661102600	1638158585	0661103300	1611711231	0661103800	1611724331
0661103800	1611731031	0661103800	1611733031	0661103800	1611737931
0661103800	1611716731_05W	0661104900	1611724531	0661104900	1611717631
0661104900	1611732931	0661104900	1611732931	0663210540	1638121680
0663210615	1611717031	0663210784	1611715931	0663211135	1611717631
0663211596	1611715931	0663212900	1638121680	0663311600	1638121680
0663313100	1611717631	0663313200	1611717631	0663611400	1638123181
0663611400	1638123180	0663611800	1638123181	0663611800	1638123180
0663711900	1638123180	0663711900	1638123181	0663712000	1638123180
0663712000	1638123181	0663712600	1638123181	0663712600	1638123180
0663713200	1611737931	0663713400	1611717631	0665099954	1638123180
0665911000	1638123181	0665911000	1638123181	0665911000	1638123180
0686371630	1611716931_06W	0686371635	1638213380	0686371638	1638213380
0686371638	1638158585	0823005009	1611716931_06W	0830100925	1611720131
0975830009	1611711231	1079000332	1638288381	1079584022	1611732931
1079584022	1611724531	1079584022	1611729331	1079584029	1611731031
1079584029	1611716731_05W	1079584029	1611737931	1079990200	1611745031
1079990200	1611744731	1079993139	1611720131	1079993186	1611720131
1088001530	1638881680	1088001530	1638163183	1088001901	1611711231
1088001901	1611711231	1088001901	1611711231	1088130106	2914900049
1088130106	2914900050	1202866900	1611716731_05W	1202867001	1611716731_05W
1202871900	1611715931	1202900601	1611715931	1503105600	1611731031
1503105600	1638158585	1503105600	1638158585	1503105600	1638158585
1503105600	1638158585	1503105600	1638158585	1503105600	1611711231
1503105600	1611731031	1604033200	1615924288	1604033200	1611730031
1604038801	1638123180	1604038801	1638123181	1604038900	1638123180
1604038900	1638123181	1604038900	1638123181	1604039907	1611711231
1604138400	1611716731_05W	1604186600	1611716631	1604186900	1638043480
1604186900	1638288381	1604332900	1611711231	1604342300	1638158585
1604413700	1611715731	1604413700	1611715731	1604413700	1611715731
1604413700	1611715731	1604413700	1611715731	1604431700	1638288381
1604501400	1611715731	1604579200	1611715731	1604584800	1611716731_05W

Part no	Part no	Part no	Part no	Part no	Part no
1604627600	1611717131	1604646600	1611746931	1604646600	1611745631
1604646600	1611747031	1604774200	1611711231	1604817982	1611711231
1604942501	1611715731	1605002501	1611717131	1605063600	1611711231
1605102900	1611747031	1607852206	1611505231	1607852207	1611505231
1607852208	1611505231	1607852360	1638163183	1607852360	1638441485
1607852373	1611711231	1607852736	1638163183	1607852736	1638441485
1607852736	1638881680	1613080102	1611711231	1613080104	1611731031
1613080104	1611731031	1613265500	1638158585	1613543901	1611869012
1613544001	1611869012	1614611800	1611737931	1615552000	1611745631
1615552000	1611747031	1615566400	1611812731	1615566400	1611716731_05W
1615566400	1611711231	1615566400	1611717631	1615566400	1638288381
1615566400	1611716731_05W	1615566400	1611715731	1615632200	1611730031
1615632200	1615924288	1615712500	1611717031	1615766701	1638123181
1615766701	1638123180	1615767201	1638123181	1615767201	1638123180
1615767300	1638123180	1615767300	1638123181	1615769000	1611716731_05W
1615776707	1611700007	1615834501	1638123181	1615834501	1638123180
1615834600	1638123180	1615834600	1638123181	1615875500	1638123180
1615875500	1638123181	1615924288	1611745031	1615957500	1611744731
1615957500	1611729131	1615957500	1611812731	1615957500	1611745031
1615961500	1611732931	1616461401	1611715731	1616774590	1611715931
1619276500	1611744731	1619276500	1611745031	1619276600	1611744731
1619276600	1611711231	1619276600	1611711231	1619276600	1611731031
1619276600	1611716031_03W	1619276600	1611711231	1619276600	1611737931
1619276600	1611700007	1619276600	1611711231	1619377001	1611716931_06W
1619589801	1611715731	1619759500	1611737931	1622272820	1611737931
1625178636	1611717031	1626032700	1638123181	1626032700	1638123180
1626060101	1611711231	1626225501	Coolant_Gencool	1626225501	2950775000_Kitsandc
1626225601	Coolant_Gencool	1626225601	2950775000_Kitsandc	1626225701	2950775000_Kitsandc
1626225701	Coolant_Gencool	1626225801	Engine_oil_Genoil	1626225901	Engine_oil_Genoil
1626226000	Compressor_oil_Geno	1626226000	2950775000_Kitsandc	1626226100	2950775000_Kitsandc
1626226100	Compressor_oil_Geno	1626226200	Engine_oil_Genoil	1626226300	Engine_oil_Genoil
1626310800	1638288381	1626310800	1611717131	1626310800	1638043480
1626360700	1611715731	1626491702	1611717031	1626537307	1611505231
1626602900	1611744731	1626602900	1611745031	1626771802	1638043480
1626771802	1638288381	1626823701	1611717631	1626823800	1611717631
1626824080	1638123180	1626824081	1638123181	1626878381	1611715731
1626923401	1611716031_03W	1626926000	1611716831	1626928001	1611715731
1626945600	1611730831	1626945600	1626945680	1626949700	1611745031
1626949700	1611745031	1626949700	1611744731	1626949700	1611744731
1626953700	1611716031_03W	1626958200	1611716031_03W	1626964400	1638163183
1626964402	1638881680	1626964402	1638441485	1626964801	1638441485
1626964801	1611711231	1626964801	1638881680	1626965800	1611744731
1626965800	1611745031	1626974001	1611716931_06W	1626974001	1611716031_03W
1626977700	1611717031	1626977800	1611717631	1626979500	1611747031
1626979600	1611747031	1626979800	1611730831	1626979800	1626945680
1626980701	1638441485	1626980701	1638163183	1626980701	1638881680
1626980802	1611812731	1630017500	2950775000_Kitsandc	1630017500	Compressor_oil_Geno
1630024900	2950775000_Kitsandc	1630024900	Compressor_oil_Geno	1638043580	1638043480
1638043580	1638288381	1638053101	1638043480	1638053101	1638288381
1638074000	Engine_oil_Genoil	1638074000	2950775000_Kitsandc	1638075000	2950775000_Kitsandc
1638075000	Engine_oil_Genoil	1638091001	1638288381	1638091001	1638043480
1638093400	1638288300	1638093600	1638288300	1638101200	1638288381
1638112289	1611700431	1638112305	1638881680	1638113702	1611717631
1638121308	1611747031	1638121680	1611724531	1638122201	1611715931
1638122401	1611715931	1638122600	1611715931	1638122700	1611715931
1638122801	1611715931	1638122900	1611715931	1638123100	1638123180
1638123180	1611717031	1638123200	1638123180	1638123200	1638123181
1638123302	1638123181	1638123302	1638123180	1638124500	1638288381
1638124500	1638043480	1638128600	1611716631	1638131482	1611716831
1638135201	1611716731_05W	1638137401	1611715931	1638137702	1611716631
1638138602	1611715931	1638141400	1611716631	1638141500	1611716631
1638146505	1611716731_05W	1638147102	1611716931_06W	1638152200	1611711231

Part no	Part no	Part no	Part no	Part no	Part no
1638158505	1638158585	1638158584	1611716831	1638159400	1638213380
1638159900	1611717031	1638163100	1638163183	1638163183	1611711231
1638163201	1638163183	1638167880	1611717631	1638167904	1611717631
1638168281	1611717331	1638175501	1611737931	1638175501	1611700007
1638177902	1611729331	1638179202	1611737931	1638179301	1611737931
1638179502	1611737931	1638183301	1638197101	1638183301	1638197101
1638183401	1638158585	1638194300	1611505231	1638195302	1611747031
1638195785	1611717131	1638207201	1611716731_05W	1638211800	1611711231
1638213001	1638881680	1638213380	1611720131	1638218202	1611711231
1638219001	1611711231	1638225400	1638881680	1638225600	1638043480
1638225601	1638288381	1638226900	1638288381	1638227000	1638288381
1638227100	1638288381	1638228702	1611733031	1638230300	1611717131
1638244600	1638881680	1638246902	1611505231	1638247000	1611716731_05W
1638247300	1611505231	1638249205	1611500931	1638252600	1638121680
1638255001	1611711231	1638255100	1611716931_06W	1638258901	1611724331
1638264501	1611731031	1638266700	1611745031	1638268101	1638288381
1638271800	1611505231	1638273600	1611737931	1638284600	1611716631
1638285301	1611700007	1638288300	1638288381	1638294700	1638163183
1638294700	1638881680	1638294700	1638441485	1638294800	1638881680
1638294800	1638163183	1638294800	1638441485	1638294900	1611729131
1638295600	1611724531	1638295900	1611745631	1638296000	1638296380
1638296100	1638296380	1638296200	1638296380	1638296380	1611745631
1638307700	1611701233	1638307880	1611853014	1638307900	1611853214
1638308000	1638308080	1638308000	1611853514	1638308300	1638307780
1638308300	1638746380	1638308300	1611853014	1638308300	1611701232
1638308300	1611853214	1638308300	1638307880	1638308300	1638308080
1638308300	1611853514	1638308300	1611701233	1638308800	1638307780
1638308800	1611853214	1638308800	1638307880	1638308800	1611701233
1638308800	1611853014	1638308800	1638746380	1638308800	1638308080
1638308800	1611853514	1638308800	1611701232	1638308900	1611701232
1638308900	1638308080	1638308900	1638307880	1638308900	1611853014
1638308900	1638307780	1638308900	1611701233	1638308900	1611853214
1638308900	1611853514	1638308900	1638746380	1638313100	1638296380
1638313201	1611745631	1638313354	1611745631	1638313600	1611731031
1638313600	1611731031	1638315600	1638296380	1638315700	1638296380
1638315700	1611745631	1638315800	1611745631	1638315800	1638296380
1638332200	1611731031	1638332500	1611731031	1638344700	1611731031
1638368100	1611731331	1638370000	1611815931	1638370910	1611700331
1638383300	1611700331	1638386600	1611731331	1638387500	1611731331
1638427600	1611745031	1638427700	1611745031	1638427700	1611744731
1638440600	1638441485	1638441483	1611700331	1638441500	1638441485
1638441600	1638441485	1638441700	1638441485	1638442700	1611505231
1638503500	1611745031	1638513100	1611744731	1638514100	1611700007
1638514200	1611737931	1638516500	1638441485	1638524700	1611812431
1638524700	1611815931	1638524700	1611815831	1638524700	1611814531
1638530300	1611720131	1638554700	1638554681	1638592500	1611814531
1638592500	1611815931	1638592500	1611815831	1638592600	1611812431
1638693380	1611747031	1638693381	1611745631	1638713181	1611746931
1638766800	1611505231	1638795400	1611772212	1638830700	1611747031
1638868800	1611745631	1638917700	1638881680	1638937301	1611745631
2911000050	2911000050	2911000065	2914900052	2911005100	2950775000_Kitsandc
2912500202	2950775000_Kitsandc	2912500203	2950775000_Kitsandc	2913300000	1638128600
2913304800	1638128600	2913305900	1638128600	2913308600	1638128600
2913309900	1638128600	2913310000	1638128600	2913312200	1638128600
2913313100	1638128600	2913318000	1638128600	2913318100	1638128600
2913318200	1638128600	2913318500	1638128600	2913318600	1638128600
2913318700	1638128600	2913318800	1638128600	2913319100	1638128600
2913320200	1638128600	2913320201	1638128600	2913320202	1638128600
2913320203	1638128600	2914049300	2914900051	2914049300	2914900052
2914061300	2914900051	2914061500	2914900051	2914102601	2914900052
2914102602	2914900051	2914102603	2914900052	2914102607	2914900052
2914102608	2914900052	2914102801	2914900049	2914102801	2914900047

Part no	Part no	Part no	Part no	Part no	Part no
2914102802	2914900050	2914102803	2914900050	2914102803	2914900048
2914102804	2914900050	2914102804	2914900048	2914102807	2914900047
2914102807	2914900049	2914103000	2914900049	2914103001	2914900049
2914103003	2914900049	2914103003	2914900050	2914103003	2914900050
2914103004	2914900049	2914103004	2914900050	2914103010	2914900050
2914103010	2914900049	2914103011	2914900049	2914103011	2914900050
2914103015	2914900049	2914103015	2914900050	2914103016	2914900050
2914103016	2914900049	2914103017	2914900049	2914103017	2914900050
2914103018	2914900049	2914103018	2914900050	2914103019	2914900049
2914103019	2914900050	2914103020	2914900049	2914103020	2914900050
2914103021	2914900050	2914103021	2914900049	2914103021	2914900049
2914103022	2914900049	2914103022	2914900050	2914103403	2914900050
2914104000	2914900052	2914104100	2914900052	2914104200	2914900052
2914104300	2914900052	2914104400	2914900052	2914104500	2911000065
2914104600	2911000065	2914104700	2911000065	2914104800	2911000065
2914105000	2914900052	2914105100	2914900052	2914200001	2914900047
2914200002	2914900047	2914200003	2914900049	2914200003	2914900050
2914200004	2914900049	2914200005	2914900049	2914200006	2914900049
2914200007	2914900049	2914200008	2914900049	2914200009	2914900049
2914200010	2914900049	2914200011	2914900049	2914200012	2914900049
2914200013	2914900049	2914200014	2914900050	2914200014	2914900049
2914200015	2914900048	2914200016	2914900048	2914200016	2914900050
2914200017	2914900050	2914200017	2914900048	2914200018	2914900048
2914200019	2914900050	2914200019	2914900048	2914200020	2914900048
2914200020	2914900050	2914200021	2914900050	2914200022	2914900050
2914200023	2914900050	2914200024	2914900050	2914200025	2914900050
2914200026	2914900050	2914257700	2914900050	2914257700	2914900050
2914257700	2914900049	2914257800	2914900049	2914257800	2914900050
2914257800	2914900052	2914257800	2914900050	2914257800	2914900047
2914403700	2914900049	3176382900	1611716731_05W	3315019508	1611716831
6211472200	1611716931_06W	9000030200	1611733131	9090151800	1638441485
9090153500	1611716031_03W	9125718100	1611814531		

Go to Discount-Equipment.com to order your parts



www.discount-equipment.com

PARTS FINDER

**Search Website
by Part Number**



**Search Manual
Library For Parts
Manual & Lookup Part
Numbers – Purchase
or Request Quote**

Search Manuals

Enter your information to help us find the right parts manual for your machine.

* Brand:

* Model:

* Serial:

* Part Number:

SEARCH

**Can't Find Part or
Manual? Request Help
by Manufacturer,
Model & Description**

Parts Order Form

Please fill in the following information to help us find the right part for your machine.

Manufacturer:	<input type="text"/>
Model:	<input type="text"/>
Description:	<input type="text"/>
Part Number:	<input type="text"/>
Quantity:	<input type="text"/>
Notes:	<input type="text"/>

Submit

Discount-Equipment.com is your online resource for quality parts & equipment.

Florida: **561-964-4949** Outside Florida TOLL FREE: **877-690-3101**

Need parts?

Click on this link: <http://www.discount-equipment.com/category/5443-parts/> and choose one of the options to help get the right parts and equipment you are looking for. Please have the machine model and serial number available in order to help us get you the correct parts. If you don't find the part on the website or on one of the online manuals, please fill out the request form and one of our experienced staff members will get back to you with a quote for the right part that your machine needs.

We sell worldwide for the brands: Genie, Terex, JLG, MultiQuip, Mikasa, Essick, Whiteman, Mayco, Toro Stone, Diamond Products, Generac Magnum, Airman, Haulotte, Barreto, Power Blanket, Nifty Lift, Atlas Copco, Chicago Pneumatic, Allmand, Miller Curber, Skyjack, Lull, Skytrak, Tsurumi, Husquvarna Target, Stow, Wacker, Sakai, Mi-T-M, Sullair, Basic, Dynapac, MBW, Weber, Bartell, Bennar Newman, Haulotte, Ditch Runner, Menegotti, Morrison, Contec, Buddy, Crown, Edco, Wyco, Bomag, Laymor, EZ Trench, Bil-Jax, F.S. Curtis, Gehl Pavers, Heli, Honda, ICS/PowerGrit, IHI, Partner, Imer, Clipper, MMD, Koshin, Rice, CH&E, General Equipment, Amida, Coleman, NAC, Gradall, Square Shooter, Kent, Stanley, Tamco, Toku, Hatz, Kohler, Robin, Wisconsin, Northrock, Oztec, Toker TK, Rol-Air, APT, Wylie, Ingersoll Rand / Doosan, Innovatech, Con X, Ammann, Mecalac, Makinex, Smith Surface Prep, Small Line, Wanco, Yanmar