



www.discount-equipment.com

Filter	1317008357,UVC 203201 -
Specifications	Product number: 8972426236, Product number: 8972422002, Product number: 897242600
Identity	1317008357

PARTS FINDER

**Search Website
by Part Number**



**Search Manual
Library For Parts
Manual & Lookup Part
Numbers – Purchase
or Request Quote**

Search Manuals

Enter your information to help us find the right parts manual for your machine.

* Brand:

* Model:

* Serial:

* Part Number:

SEARCH

**Can't Find Part or
Manual? Request Help
by Manufacturer,
Model & Description**

Parts Order Form

Please fill in the following information to help us find the right part for your machine.

Manufacturer:	<input type="text"/>
Model:	<input type="text"/>
Description:	<input type="text"/>
Part Number:	<input type="text"/>
Quantity:	<input type="text"/>
Notes:	<input type="text"/>

Submit

Discount-Equipment.com is your online resource for quality parts & equipment.

Florida: **561-964-4949** Outside Florida TOLL FREE: **877-690-3101**

Need parts?

Click on this link: <http://www.discount-equipment.com/category/5443-parts/> and choose one of the options to help get the right parts and equipment you are looking for. Please have the machine model and serial number available in order to help us get you the correct parts. If you don't find the part on the website or on one of the online manuals, please fill out the request form and one of our experienced staff members will get back to you with a quote for the right part that your machine needs.

We sell worldwide for the brands: Genie, Terex, JLG, MultiQuip, Mikasa, Essick, Whiteman, Mayco, Toro Stone, Diamond Products, Generac Magnum, Airman, Haulotte, Barreto, Power Blanket, Nifty Lift, Atlas Copco, Chicago Pneumatic, Allmand, Miller Curber, Skyjack, Lull, Skytrak, Tsurumi, Husquvarna Target, Stow, Wacker, Sakai, Mi-T-M, Sullair, Basic, Dynapac, MBW, Weber, Bartell, Bennar Newman, Haulotte, Ditch Runner, Menegotti, Morrison, Contec, Buddy, Crown, Edco, Wyco, Bomag, Laymor, EZ Trench, Bil-Jax, F.S. Curtis, Gehl Pavers, Heli, Honda, ICS/PowerGrit, IHI, Partner, Imer, Clipper, MMD, Koshin, Rice, CH&E, General Equipment, Amida, Coleman, NAC, Gradall, Square Shooter, Kent, Stanley, Tamco, Toku, Hatz, Kohler, Robin, Wisconsin, Northrock, Oztec, Toker TK, Rol-Air, APT, Wylie, Ingersoll Rand / Doosan, Innovatech, Con X, Ammann, Mecalac, Makinex, Smith Surface Prep, Small Line, Wanco, Yanmar

Spare part list	
Maintenance part	Maintenancepart
Engine parts	Engineparts
Compressor parts	Compressorparts
SERVICE PAK:500 HR CPS185-100	1310266528
SERVICE PAK:1000HR CPS 185-100	1310266529
Engine oil	Engineoil
Compressor Oil	Compressor
Coolant	Coolant
Frame and bale	1317000317
Mounts	1317000306
BODYWORK	1317000311
BODYWORK	1317000337
BODYWORK	1317000955
Bodywork	1317000805
CANOPY ASY:CPS 185-100	1316173180
CANOPY ASY: CPS 185-100	1316173181
Bodywork:cooler	1317000210
KIT TELEMATICS_W	1310978505_01W
AIR INLET	1317000286
Air outlet	1310924220
Seperator filter	1310923641
Cold weather	1317000554
Data plate	1310300381
Labels	1317000341
Labels	1317000802
Label sheet	1310453704
COMPRESSOR	1317000307
Element C90 OIS	1616757581
ENGINE AND ACCESSORIES	1317000275
DIESEL ENGINE	1310076560
Oil system	1317000285
OIL SYSTEM	1317000829
REGULATION SYSTEM	1317000309
Seperator assembly	1310220280
Fuel system	1317000308
Bracket assembly:fuel tank support	1316172981
Cooling system	1317000279
Fan box assembly	1316170780
EXHAUST SYSTEM	1317000284
ELECTRICAL SYSTEM	1317000339
Controller assembly	1317000289
Road lights	1317000500
SINGLE HOSE REEL 50FT	1310924488
SINGLE HOSE REEL 100FT	1310924487
DUAL HOSE REEL 50FT	1310924486
DUAL HOSE REEL 100FT	1310924485
KIT:TRAILER BREAKAWAY	1310600218
Support mount	1317000066
SUPPORT MOUNT: ROADLIGHT HARNESS	1317000488
SOLAR BATTER CHARGER	1317000370
CORNER TIE DOWN D RING	1317000179
Document canister	1310299727

Battery cut-off switch	1317000065
Gop:electric brakes xas188 s8	1317000069
FLEETLINK TELEMATICS	1310978500
Coupler 2"	1310312005
SAFETY CARTRIDGE	1317000903
Coupler 1"	1310312359
Coupler - Loose ball Coupling 2-5/16	1310312358
French labels	1317000155
OSHA VALVE	1310050121
KIT:QUICKFIT	1316010370

Go to Discount-Equipment.com to order your parts



CPS 185-100 KOD FO CW

Engine	DIESEL: KOHLER 1903
Engine oil capacity	5.3 Liter / 1.4 US Gallon
Engine coolant capacity	9.84 Liter / 2.6US Gallon



Maintenance kits

Description	Order number
Service pack 500 hours	1310266528
Service pack 1000 hours	1310266529



Compressor parts

Description	Order number
Valve 71 degree celcius	1622706405
Valve-check:g.25 0.5 bar crack	1316010219



Fluids

Description	Order number
Can Genoil 15W40 5 Liter/1.32 Gallon	1626226200
Can Genoil 15W40 20 Liter/5.3 Gallon	1626226300
Can Paroil E Mission Green 5 Liter/1.32 Gallon	1630047100
Can Paroil E Mission Green 20 Liter/5.3 Gallon	1630047200
Barrel Paroil E Mission Green 210 Liter/55.6 Gallon	1630047300
Can Genoil M 5 Liter/1.32 Gallon	1626226000
Can Genoil M 20 Liter/5.3 Gallon	1626226100
Can Genoil S Ultra 20 Liter/5.3 Gallon	1630024900
Can Gencool Green 5 Liter/1.32 Gallon	1630013411
Can Gencool Green 20 Liter/5.3 Gallon	1630013416



Engine parts

Description	Order number
Alternator	4810060598
Gasket Oil Plug	4810060529
Injection Pump	4810060642
Injection Pump Gasket	4810060624
Injector Assembly	4810060627
Injector Gasket	4810060602
Oil Filling Gasket	4810060601
Oil Filter Gasket Kit	4810060662
Oil Pressure Switch	4810060648
Speed Sensor	4810060658
Starter Motor	4810060634
Temperature Switch Water	4810060660
Thermostatic Valve Assembly	4810060672
Thermostatic Valve Gasket	4810060622
T-Map Sensor	4810060659
Water Pump Assembly	4810060637
Water Pump Gasket	4810060625



Compressor parts

Description	Order number
Bearing	0504020013
Catch	1604627500
Latch	1604627600
Level gauge	1616510800
Lipseal	1616562580
Pressure sensor	1607852288
Pressure sensor	1607852293
Temperature sensor	1089057470



Service intervals

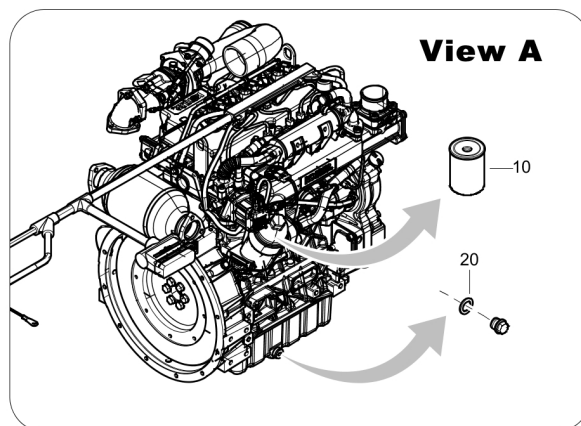
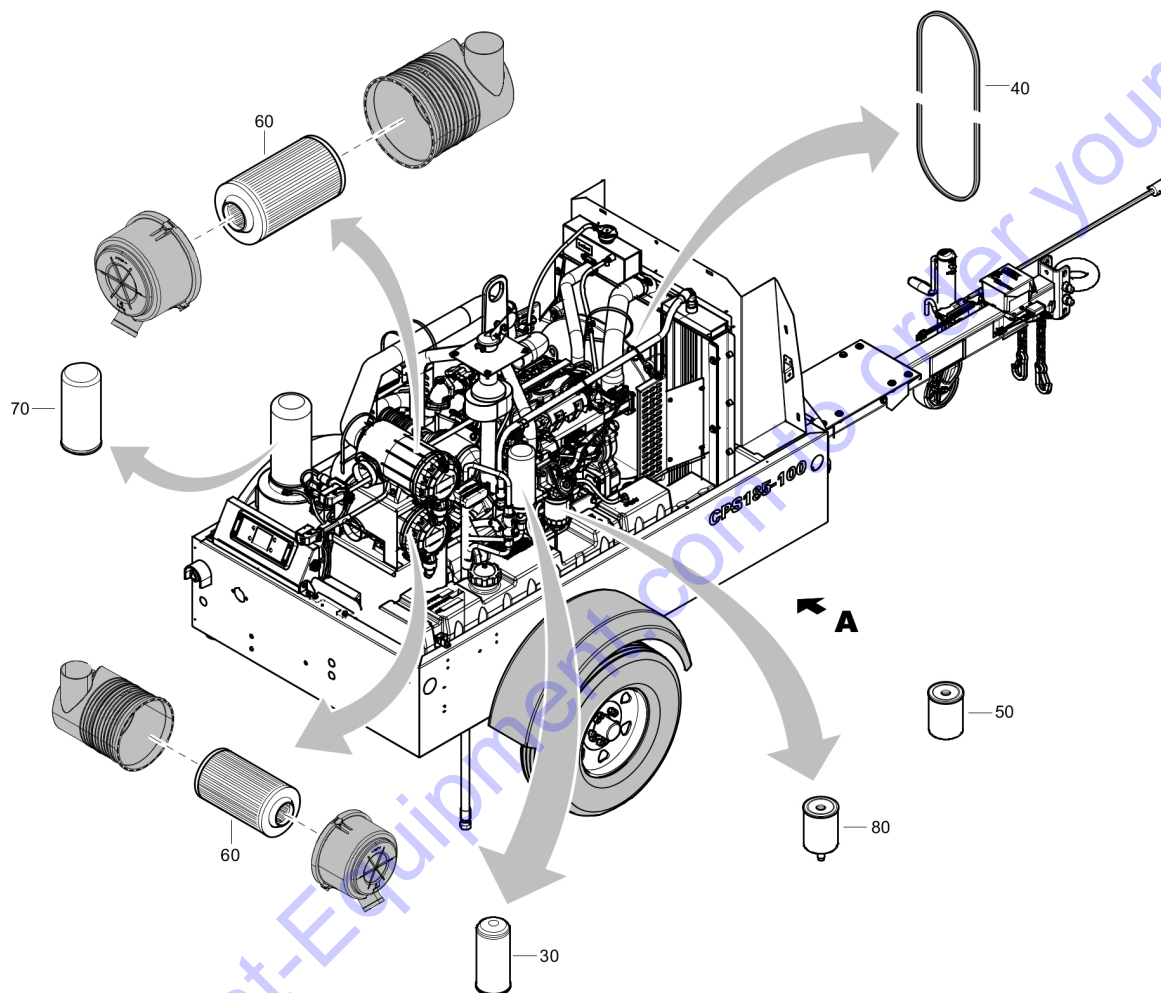
Change oil engine every	Every 500 hours / Half yearly
Change oil Compressor every	Every 1000 hours / 2 Yearly
Change coolant engine every	Every 5000 hours

Scan QR code for more information

www.cp.com

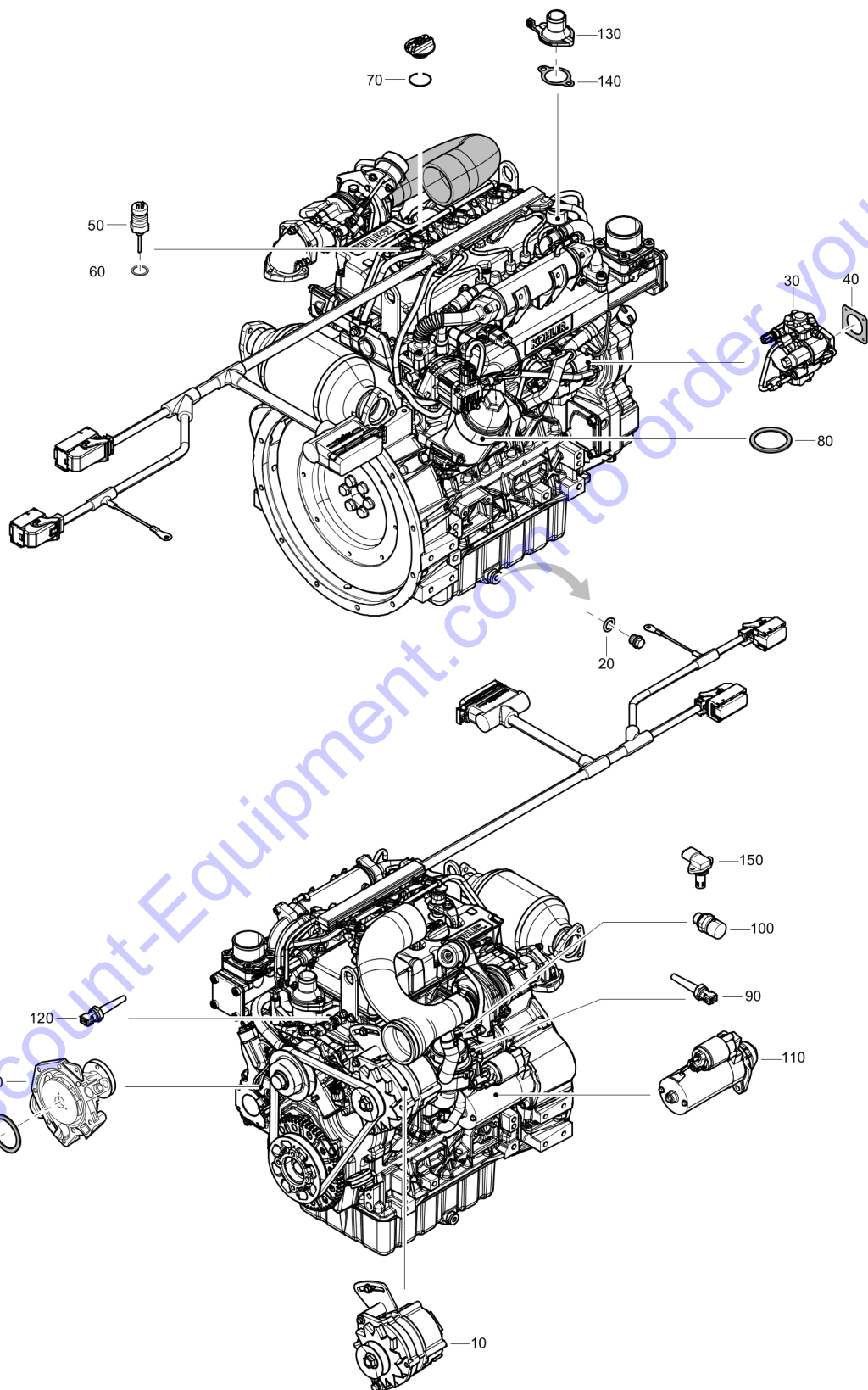
Id	Qty	Number	Name	Specifications

Go to Discount-Equipment.com to order your parts

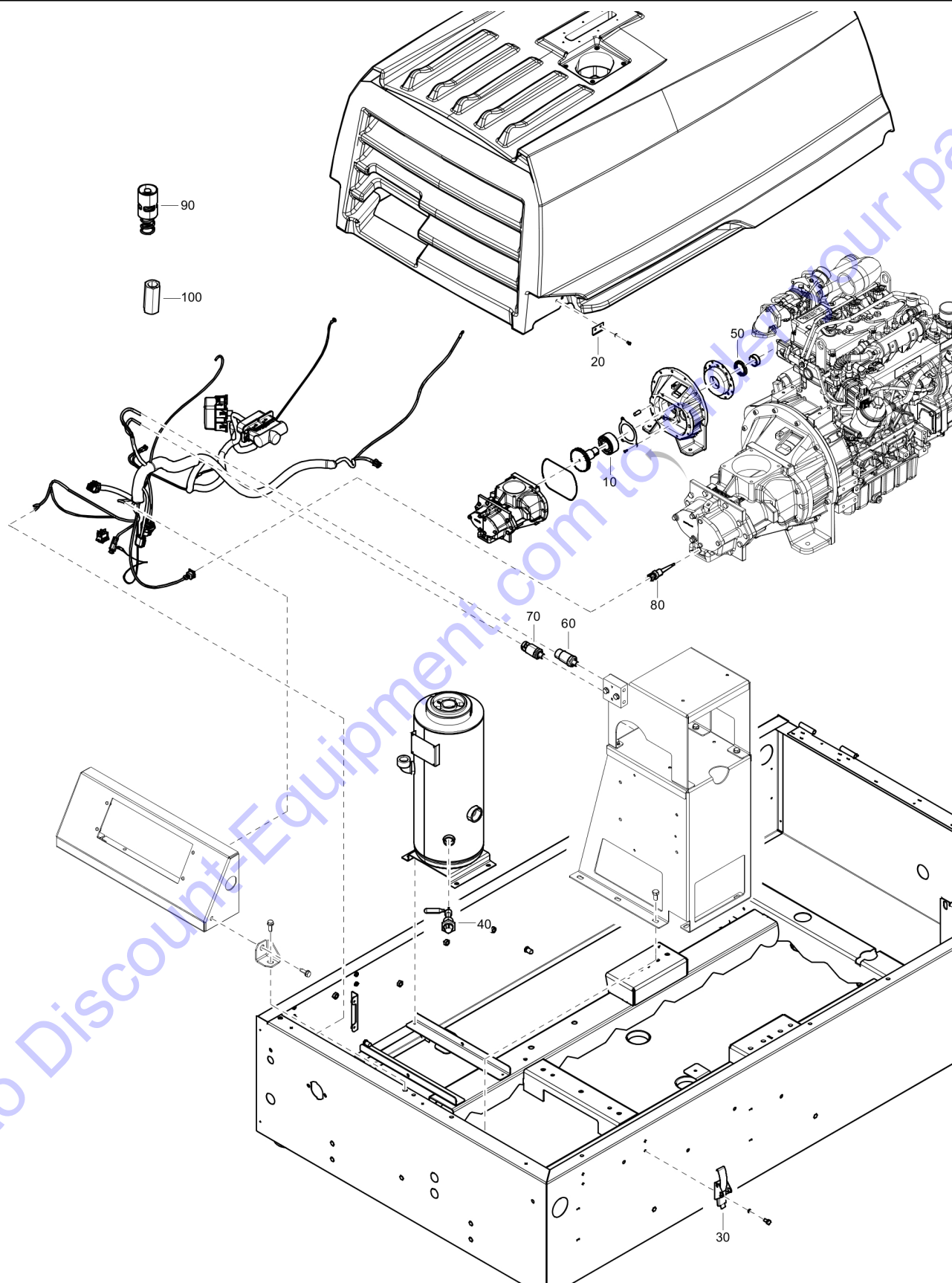


Id	Qty	Number	Name	Specifications
-		1310266528	SERVICE PAK:500 HR CPS185-100	Version: 2
-		1310266529	SERVICE PAK:1000HR CPS 185-100	Version: 4
-			Genoil Performance	
-			PAROIL E MISSION GREEN	
-			Genoil M	
-			Gencool Green	

Go to Discount-Equipment.com to order your parts

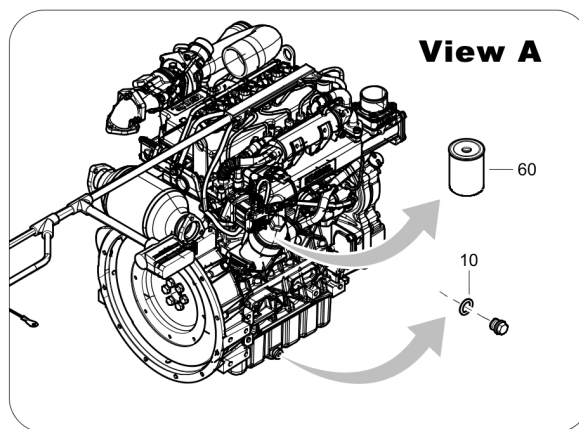
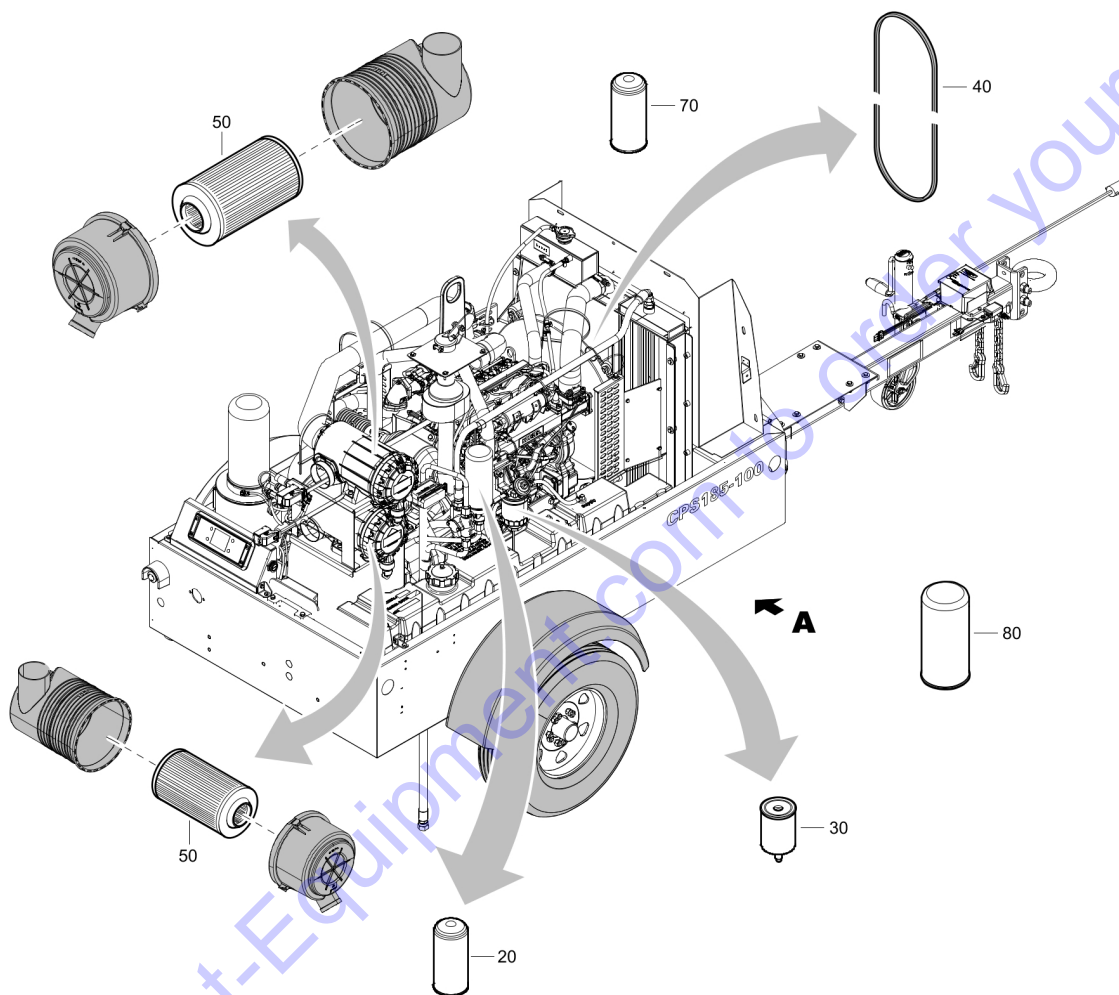


Id	Qty	Number	Name	Specifications
10	1	4810060598	ALTERNATOR	
20	1	4810060529	GASKET OIL PLUG	
30	1	4810060642	INJECTION PUMP	
40	1	4810060624	INJECTION PUMP GASKET	
50	1	4810060627	INJECTOR ASSEMBLY	
60	1	4810060602	INJECTOR GASKET	
70	1	4810060601	OIL FILLING GASKET	
80	1	4810060662	OIL FILTER GASKET KIT	
90	1	4810060648	OIL PRESSURE SWITCH	
100	1	4810060658	SPEED SENSOR	
110	1	4810060634	STARTER MOTOR	
120	1	4810060660	TEMPERATURE SWITCH WATER	
130	1	4810060672	THERMOSTATIC VALVE ASSEMBLY	
140	1	4810060622	THERMOSTATIC VALVE GASKET	
150	1	4810060659	T-MAP SENSOR	
160	1	4810060637	WATER PUMP ASSEMBLY	
170	1	4810060625	WATER PUMP GASKET	



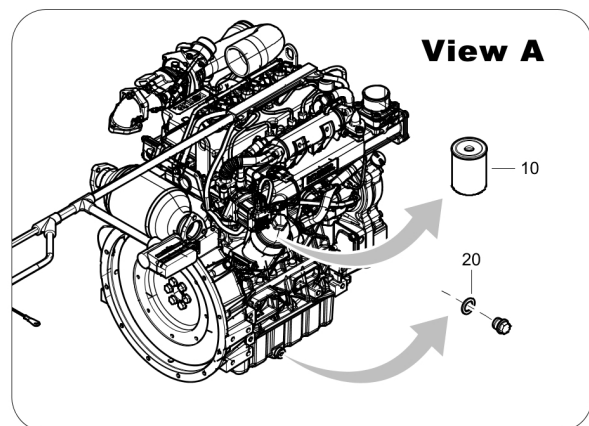
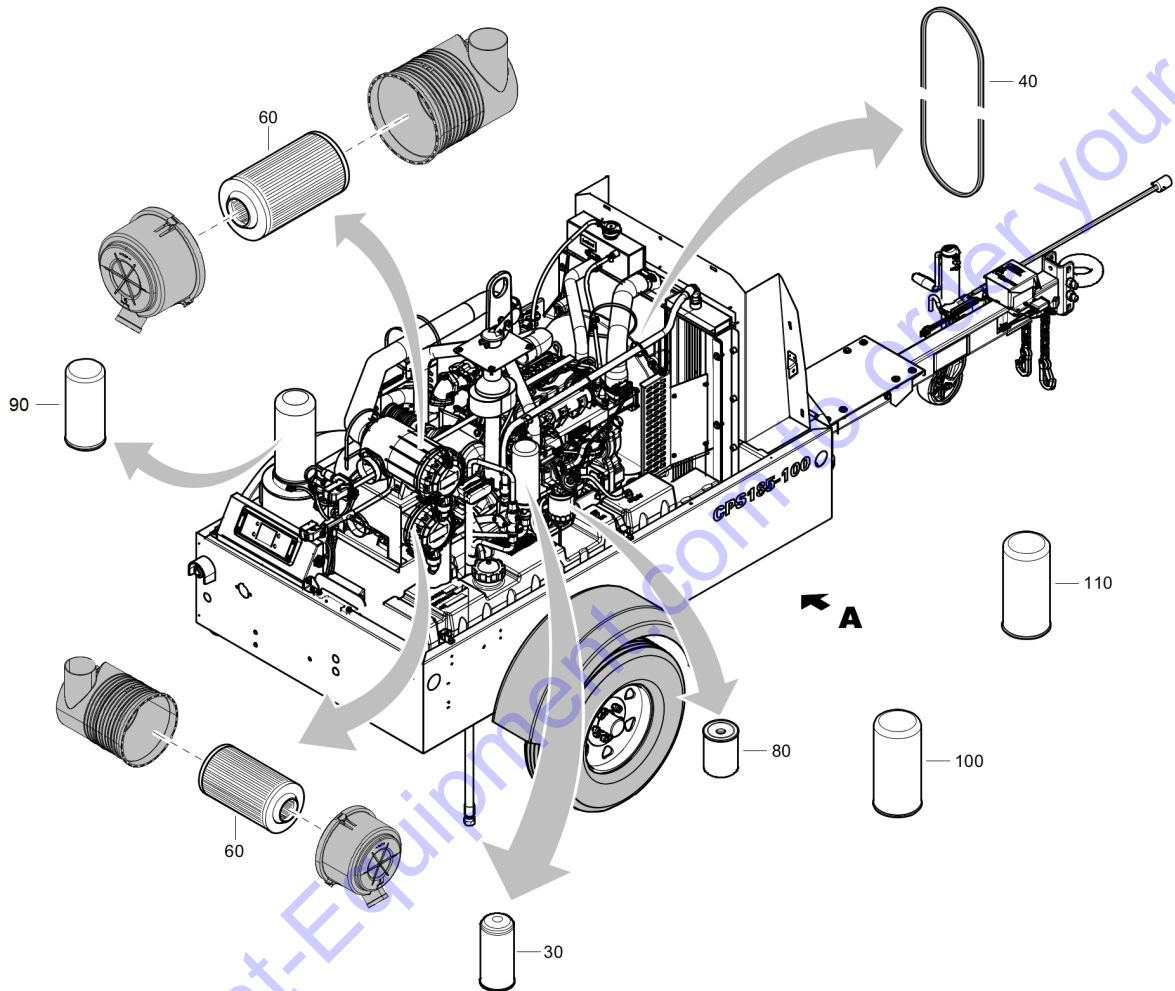
Id	Qty	Number	Name	Specifications
10	1	0504020013	BALL BEARING	
20	1	1604627500	CATCH	
30	1	1604627600	LATCH	
40	1	1616510800	INDICADOR NIVEL	
50	1	1616562580	LIPSEAL	
60	1	1607852288	PRESSURE SENSOR	
70	1	1607852293	PRESSURE SENSOR	
80	1	1089057470	temp sensor L=50	
90	1	1622706405	THERMOSTATIC VALVE 71 DEG C	
100	1	1316010219	VALVE-CHECK:G.25 0.5 BAR CRACK	

Go to Discount-Equipment.com to order your parts



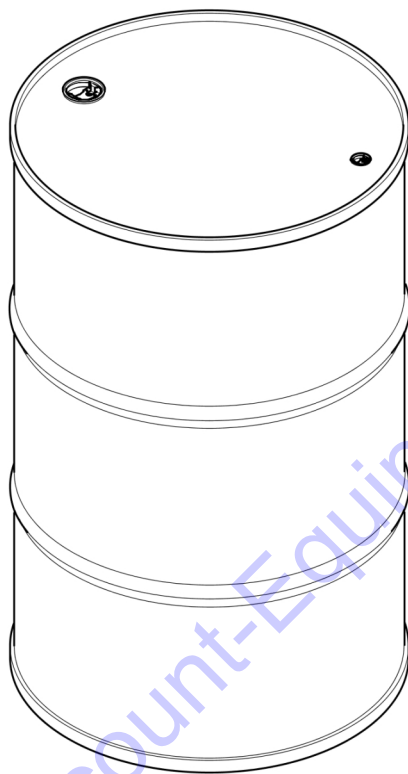
Id	Qty	Number	Name	Specifications
10	1		GASKET OIL PLUG	
20	1		OIL FILTER ELEMENT: OEM	
30	1		FUEL FILTER:OEM	
40	1		BELT:KOHLER 1903	
50	2		ELEMENT: AIR CLEANER MB	
60	1		FUEL FILTER ELEMENT CP BRAND	
70			OIL FILTER CARTRIDGE CP BRAND	
80			FILTER OIL SEP (ENGINE) CP	

Go to Discount-Equipment.com to order your parts



Id	Qty	Number	Name	Specifications
10	1		FUEL FILTER:OEM	
20	1		GASKET OIL PLUG	
30	1		OIL FILTER ELEMENT: OEM	
40	1		BELT:KOHLER 1903	
60	2		ELEMENT: AIR CLEANER MB	
80	1		FILTER: SPIN ON OIL SEPARATING	
90	1		FUEL FILTER ELEMENT CP BRAND	
100	1		OIL FILTER CARTRIDGE CP BRAND	
110	1		FILTER OIL SEP (ENGINE) CP	

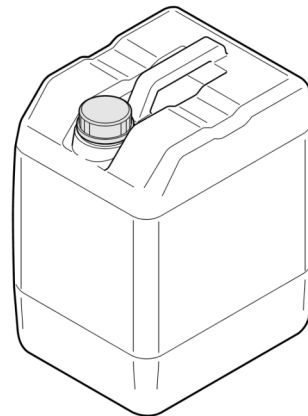
Go to Discount-Equipment.com to order your parts



B30



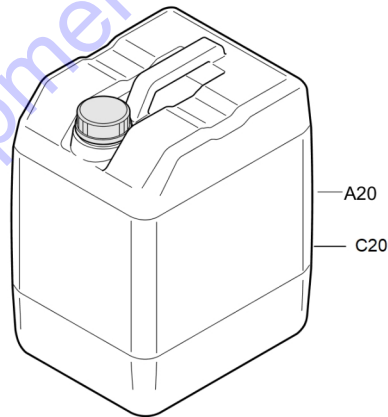
A10
B10



A20
B20

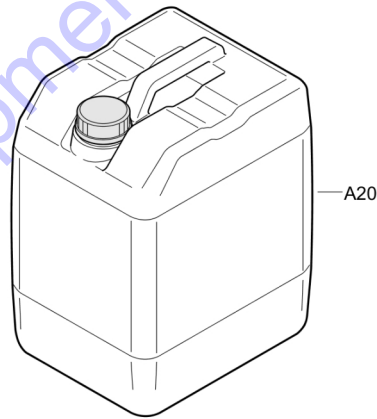
Id	Qty	Number	Name	Specifications
-			Genoil Performance	
-			PAROIL E MISSION GREEN	

Go to Discount-Equipment.com to order your parts



Id	Qty	Number	Name	Specifications
A10	1	1626226000	GENOIL M, COMPRESSOR OIL (5 L)	
A20	1	1626226100	GENOIL M, COMPRESSOR OIL (20 L)	
C20	1	1630024900	GENOIL S ULTRA (20 L)	

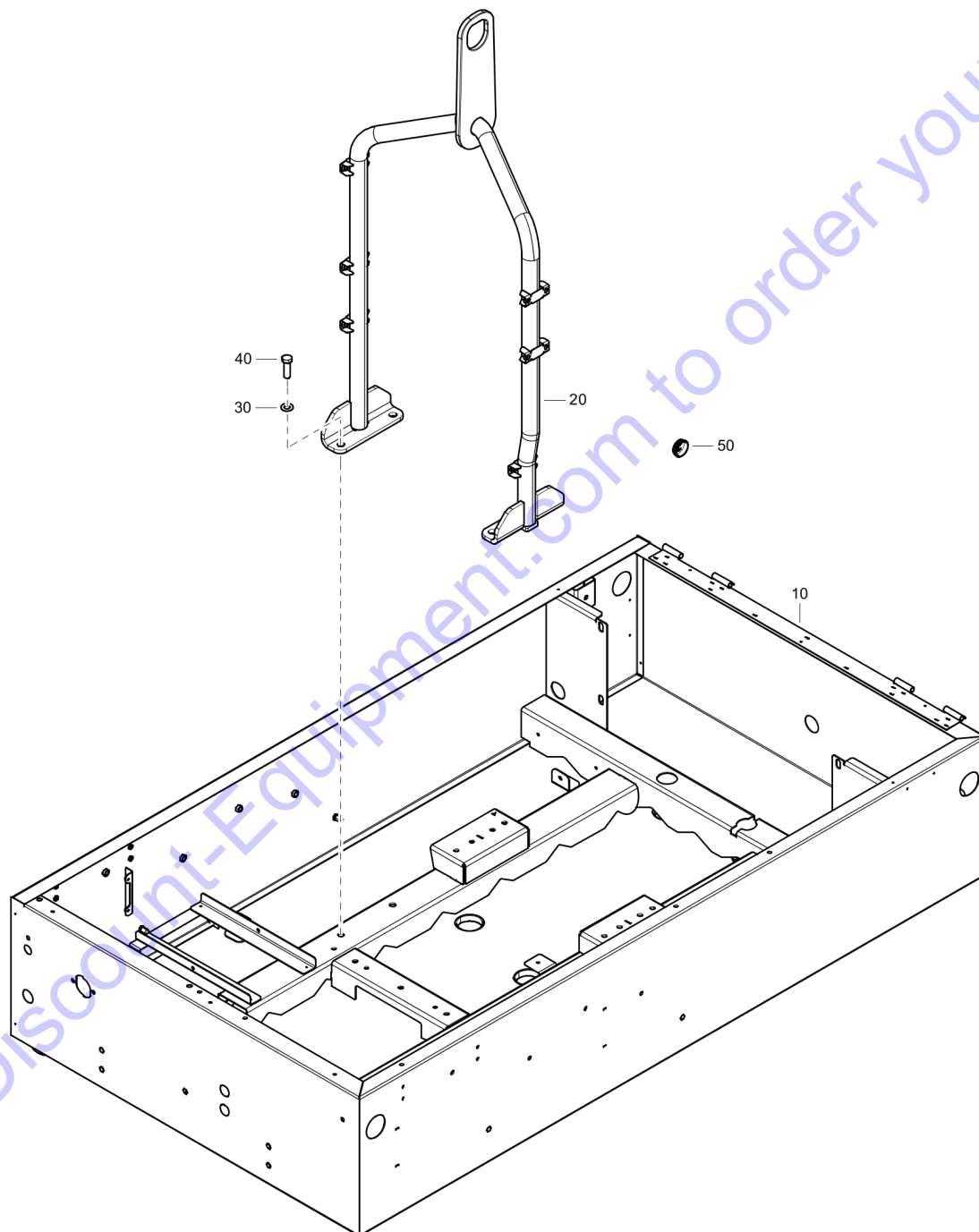
Go to Discount-Equipment.com to order your parts



Go to Discount-Equipment.com to order your parts

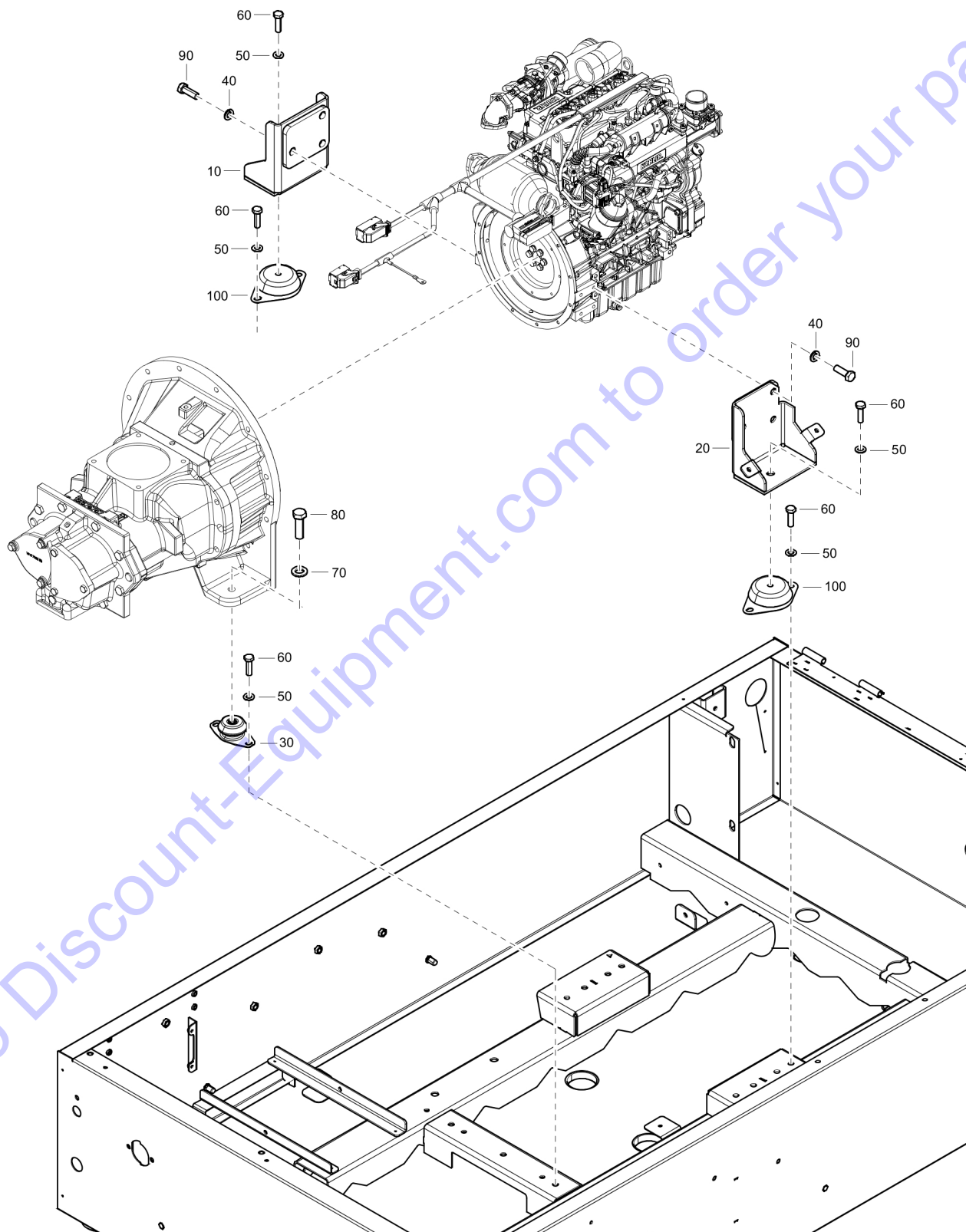
Id	Qty	Number	Name	Specifications
A10	1	1630013411	CAN GENCOOL GREEN 5L	
A20	1	1630013416	CAN GENCOOL GREEN 20L	

Go to Discount-Equipment.com to order your parts



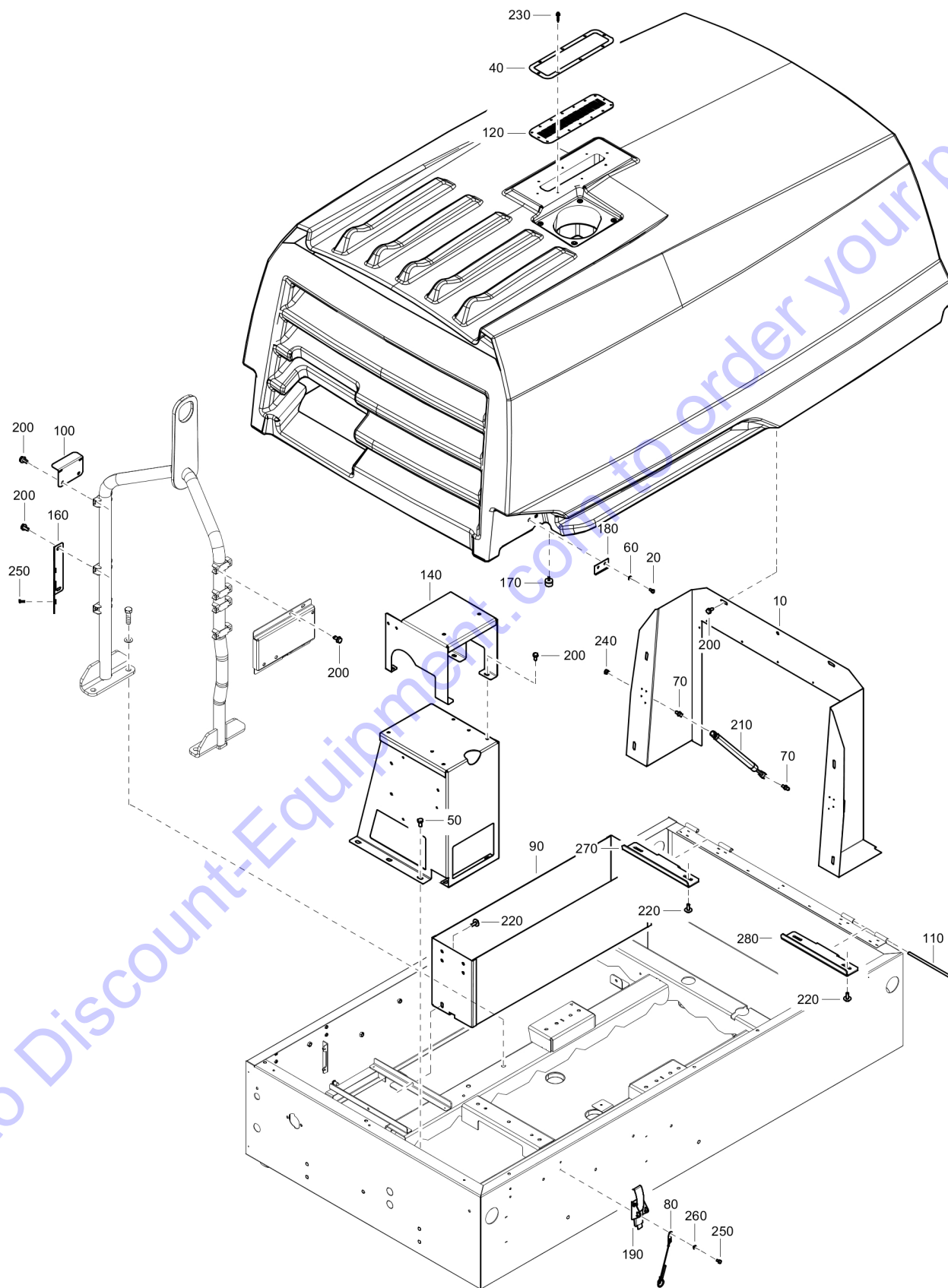
Id	Qty	Number	Name	Specifications
10	1	1310228612	FRAME ASY:CPS 185 MULTIBRAND	
20	1	1316173500	Lifting bale	
30	4	0301235800	PLAIN WASHER(A) 13 X 24 X 2.5	
40	4	0147140303	HEX. HEAD SCREW M12 X 40	
50	1	1316227700	Cap: bp-1 1/2 in.-7	

Go to Discount-Equipment.com to order your parts

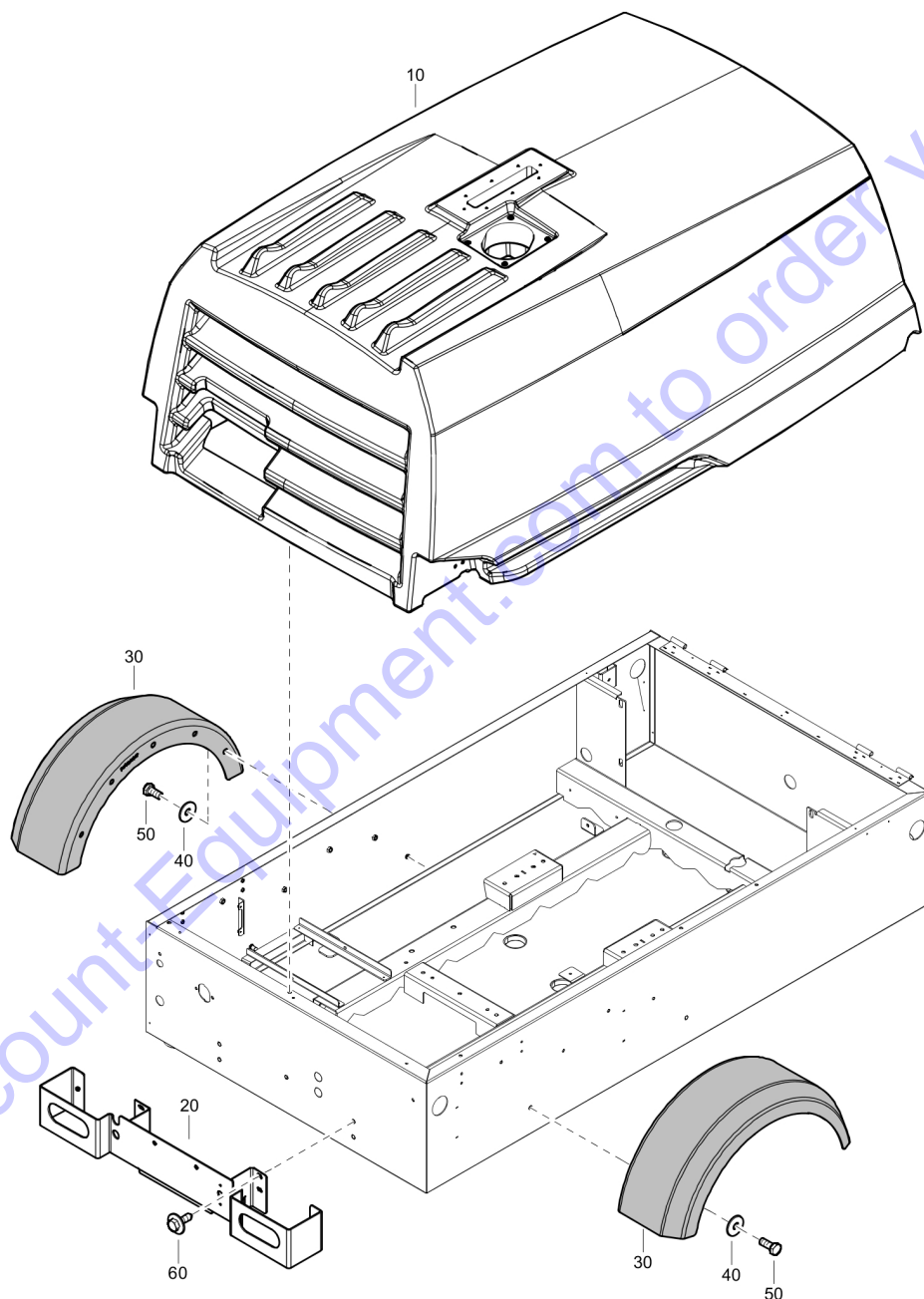


Id	Qty	Number	Name	Specifications
10	1	1316172700	Engine foot:roadside cps 185	
20	1	1316172600	Engine foot:curbside cps185	
30	2	1310075839	Isolator	
40	6	0333223800	LKWASH 1/2 STL	
50	10	0301234400	Toothed washer	
60	10	0147136403	HEX. BOLT M10X35X8.8	
70	2	0301235800	PLAIN WASHER(A) 13 X 24 X 2.5	
80	2	0147140303	HEX. HEAD SCREW M12 X 40	
90	6	0147140203	HEX. HEAD SCREW	
100	2	1310075818	Isolator	

Go to Discount-Equipment.com to order your parts

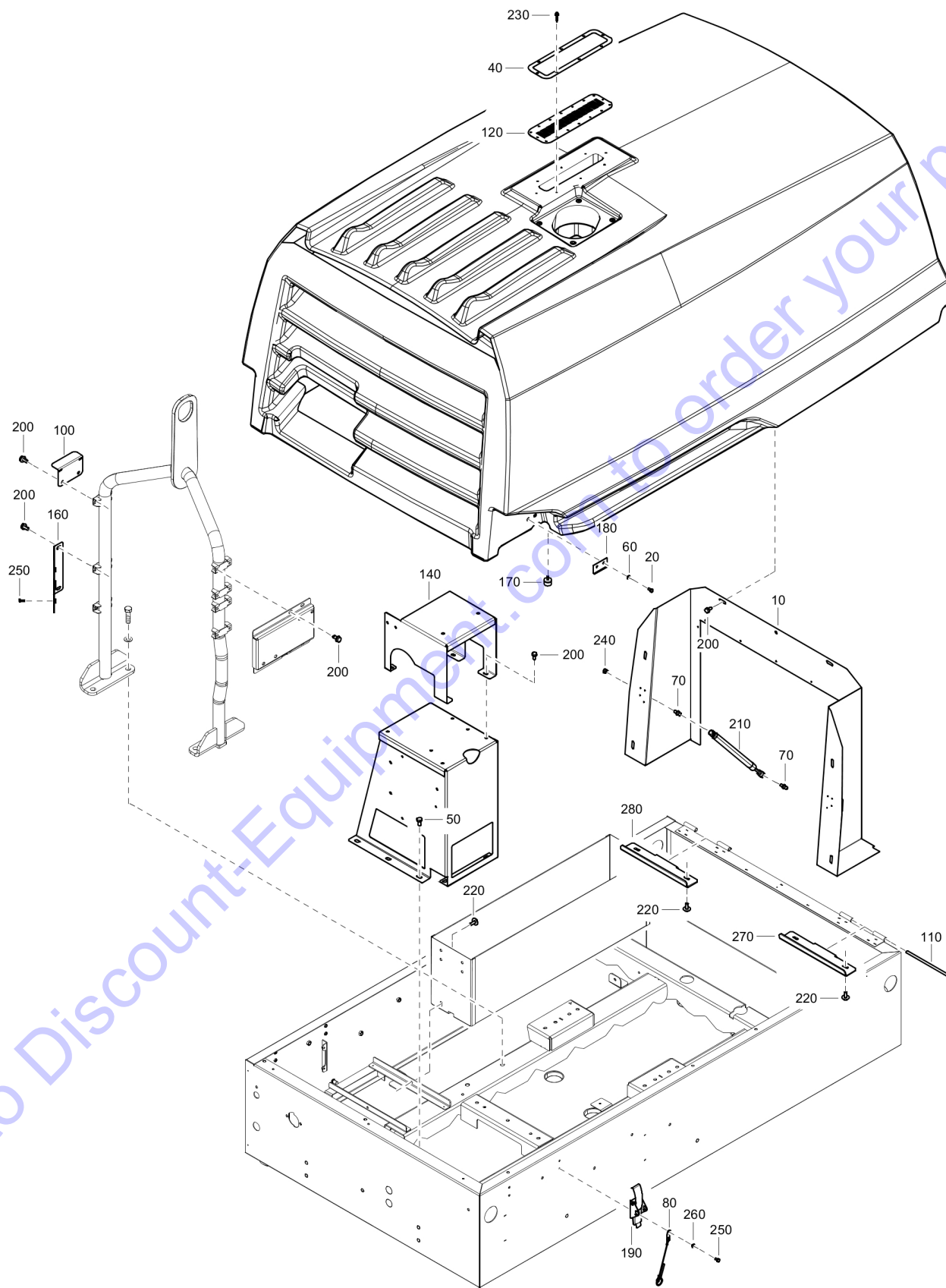


Id	Qty	Number	Name	Specifications
10	2	1310974750	PLATE:COOLER BAFFLE	
20	4	0147124403	HEX. HEAD SCREW M6 X 12	
40	1	1316173400	RETAINER:LIFTING BALE SEAL	
50	5	0147195874	SCREW	
60	4	0301232100	PLAIN WASHER(A) 6.4 X 12 X 1.6	
70	4	1310032778	SUPPORT:BALL STUD,.312-18 THD	
80	2	1310036995	PIN:LATCH XAS185PE	
90	1	1310217603	TOOLBOX:INTERNAL S8	
100	1	1310974502	BRACKET:AIR INLET SUPPORT	
110	2	1605002501	ROD CONNECTING	
120	1	1310334000	COVER:LIFTING BALE S8	
140	1	1310221501	SUPPORT:AIR CLEANER TOP	
160	1	1310223602	SUPPORT:FUSE BOX S8	
170	2	1604186900	BUFFER	
180	2	1604627500	CATCH	
190	2	1604627600	LATCH	
200	18	1619276600	SCREW-SELF TAP:M 8X 20 HEX HD,	
210	2	1310076470	GAS-SPRING:800N XAS 188 PE 5MM	
220	6	1615566400	HEX. HEAD SCREW	
230	8	1316010079	SCREW:DRILL,#8-18 X 1" HEX FZB	
240	2	0292130500	LOCKNUT	
250	8	0147120703	HEX. HEAD SCREW	
260	4	0301231800	WASHER D5*10	
270	1	1316172401	HINGE:CANOPY	
280	1	1316172400	HINGE:CANOPY	

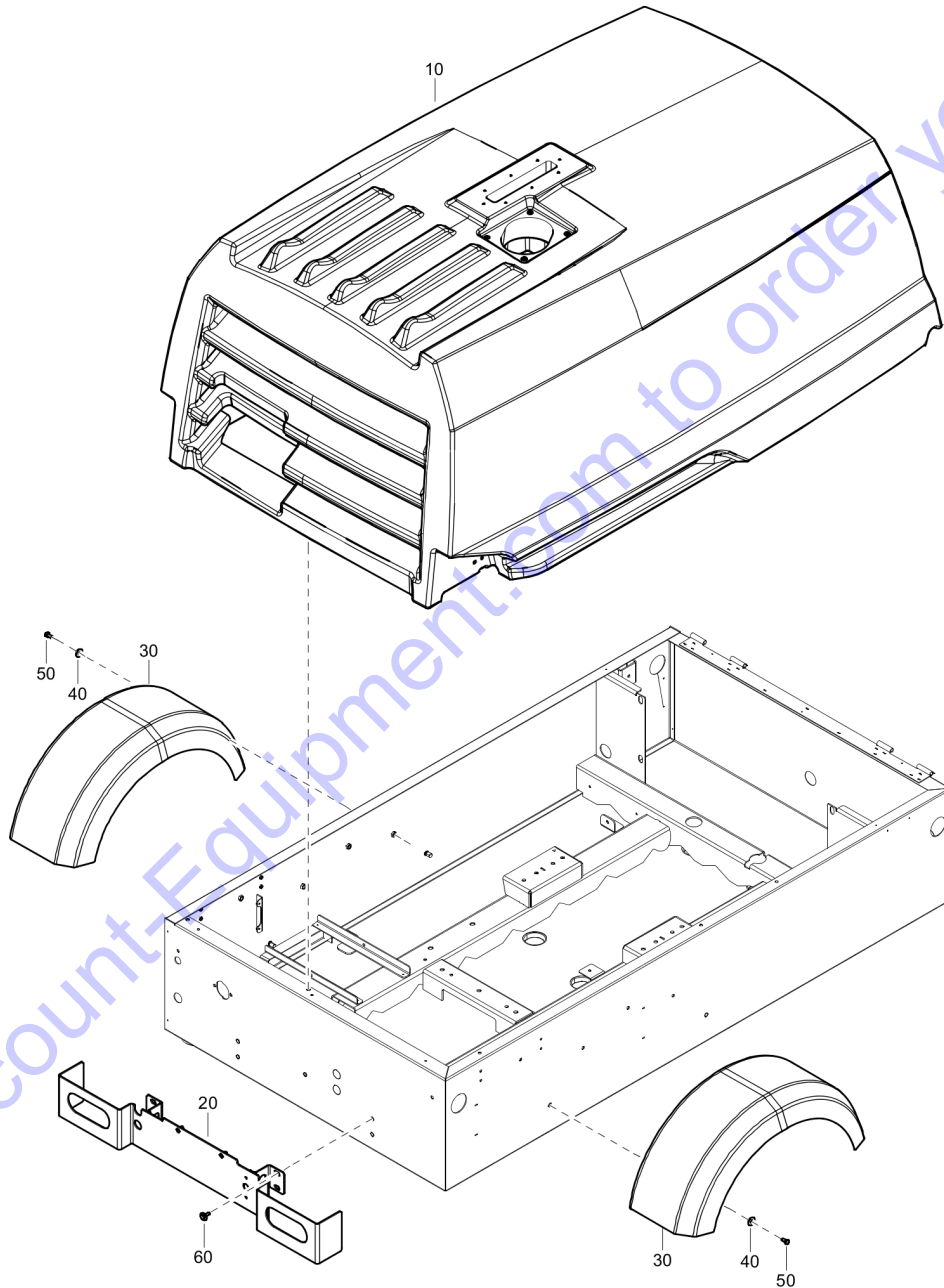


Id	Qty	Number	Name	Specifications
10	1	1316173100	CANOPY:CPS 185 KOD	
20	1	1316171405	BUMPER ASY	
30	2	1310220020	FENDER:WHEEL 15+, MB BLACK	
40	10	0300801900	WIDE FLAT WASHER 5/16"TX(TB)	
50	10	0147132203	HEX. HEAD SCREW M8 X 16	
60	4	1615566400	HEX. HEAD SCREW	
70	2	1604186900	BUFFER	

Go to Discount-Equipment.com to order your parts

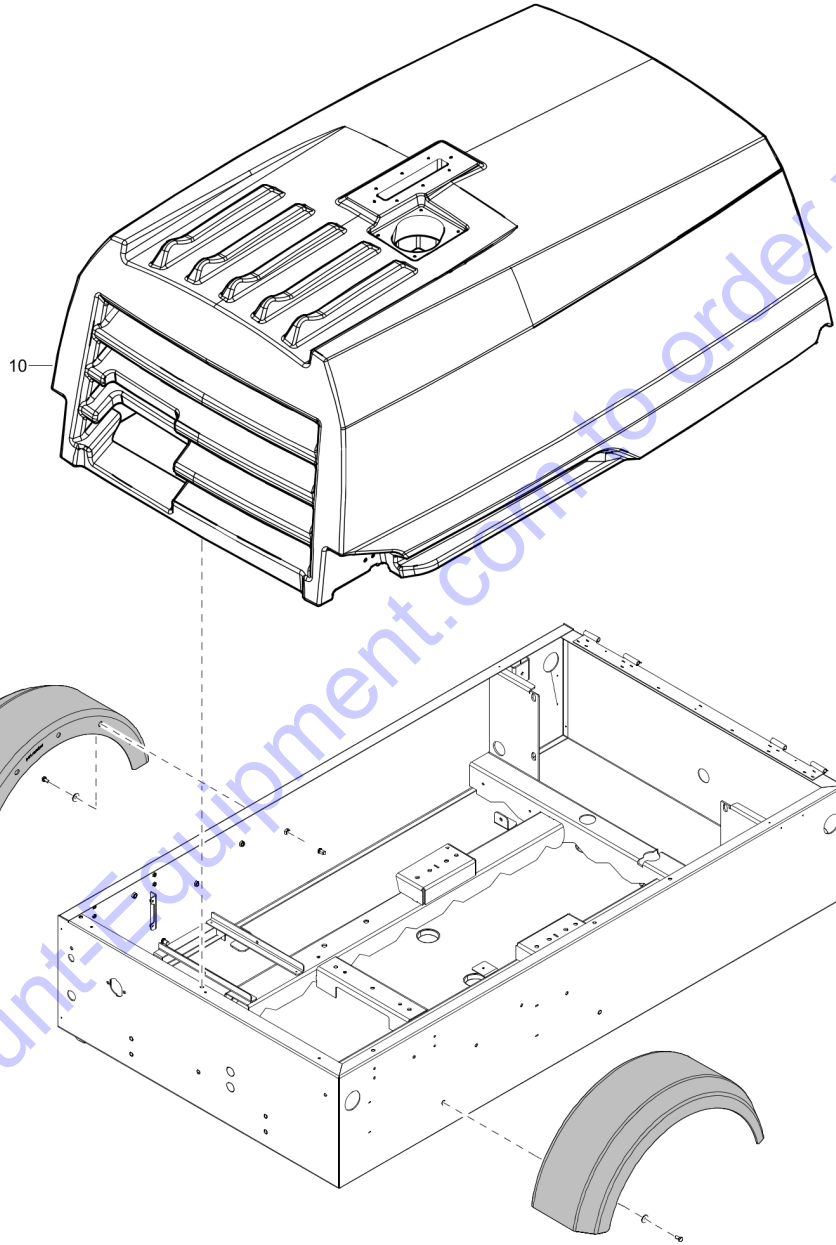


Id	Qty	Number	Name	Specifications
10	1	1310974750	PLATE:COOLER BAFFLE	
20	4	0147124403	HEX. HEAD SCREW M6 X 12	
40	1	1316173400	RETAINER:LIFTING BALE SEAL	
50	5	0147195874	SCREW	
60	4	0301232100	PLAIN WASHER(A) 6.4 X 12 X 1.6	
70	4	1310032778	SUPPORT:BALL STUD,.312-18 THD	
80	2	1310036995	PIN:LATCH XAS185PE	
100	1	1310974502	BRACKET:AIR INLET SUPPORT	
110	2	1605002501	ROD CONNECTING	
120	1	1310334000	COVER:LIFTING BALE S8	
140	1	1310221501	SUPPORT:AIR CLEANER TOP	
160	1	1310223602	SUPPORT:FUSE BOX S8	
170	2	1604186900	BUFFER	
180	2	1604627500	CATCH	
190	2	1604627600	LATCH	
200	18	1619276600	SCREW-SELF TAP:M 8X 20 HEX HD,	
210	2	1310076470	GAS-SPRING:800N XAS 188 PE 5MM	
220	4	1615566400	HEX. HEAD SCREW	
230	8	1316010079	SCREW:DRILL,#8-18 X 1" HEX FZB	
240	2	0292130500	LOCKNUT	
250	8	0147120703	HEX. HEAD SCREW	
260	4	0301231800	WASHER D5*10	
270	1	1316172401	HINGE:CANOPY	
280	1	1316172400	HINGE:CANOPY	



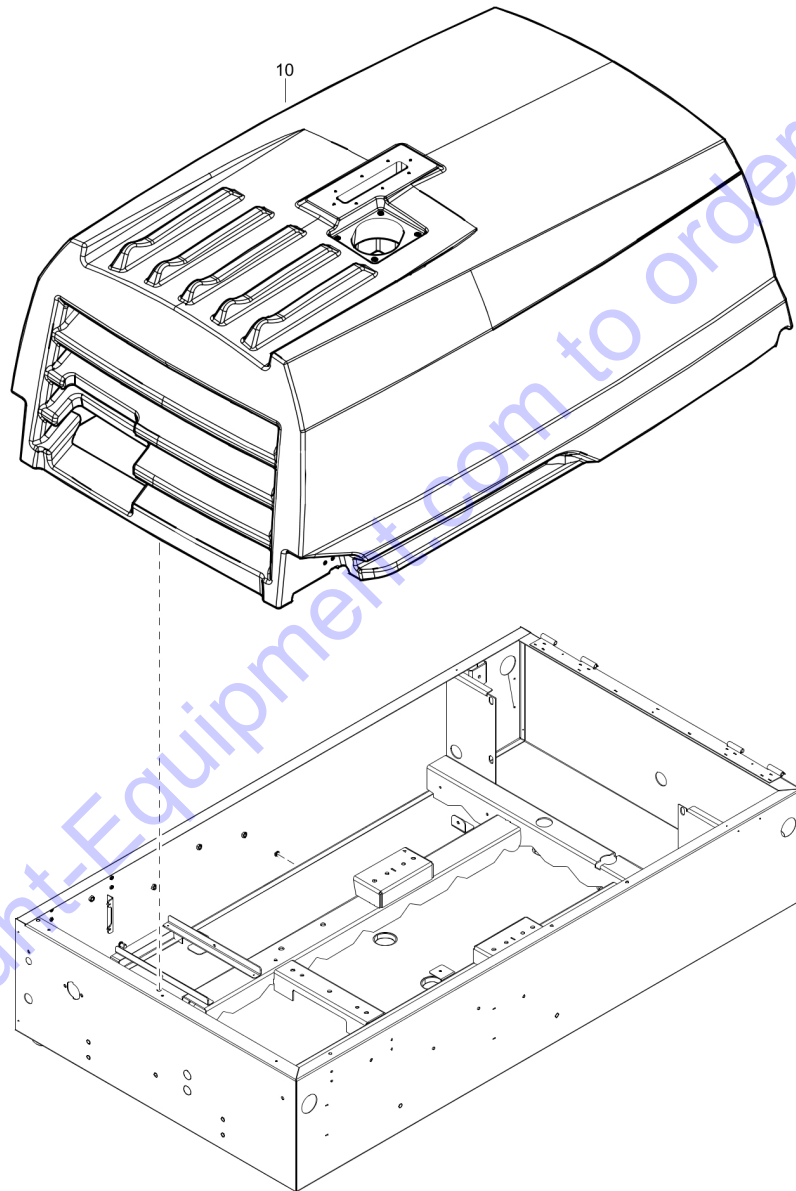
Id	Qty	Number	Name	Specifications
10	1	1316173181	CANOPY ASY: CPS 185-100	
20	1	1316171401	BUMPER: REAR CPS 185-100	
30	2	1316116220	FENDER:WHEEL 15+, MB BLACK	
40	10	0300801900	WIDE FLAT WASHER 5/16"TX(TB)	
50	10	0147132203	HEX. HEAD SCREW M8 X 16	
60	4	1615566400	HEX. HEAD SCREW	

Go to Discount-Equipment.com to order your parts



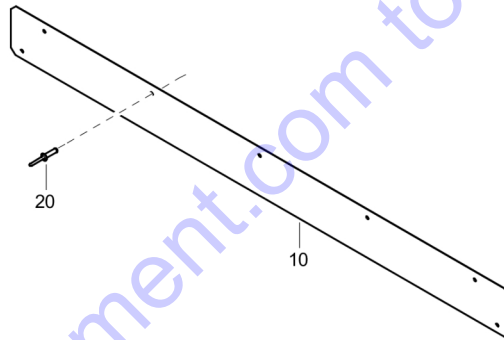
Id	Qty	Number	Name	Specifications
10	1	1316173100	CANOPY:CPS 185 KOD	

Go to Discount-Equipment.com to order your parts



Id	Qty	Number	Name	Specifications
10	1	1316173100	CANOPY:CPS 185 KOD	

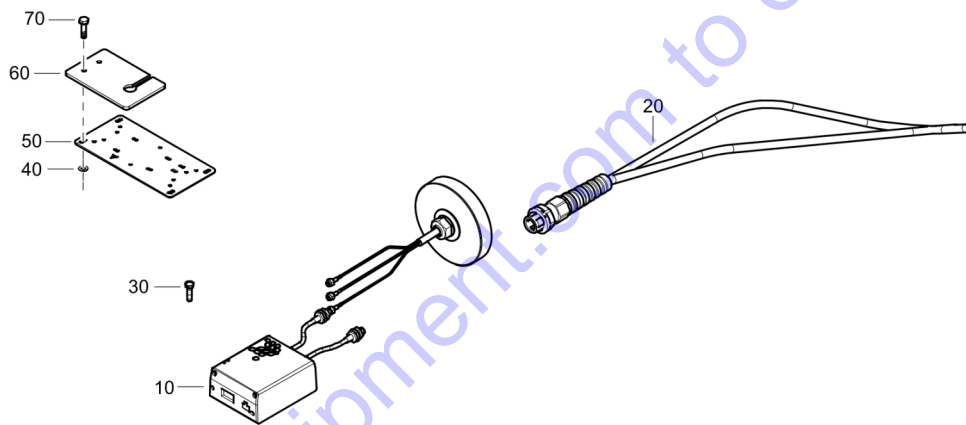
Go to Discount-Equipment.com to order your parts



Go to Discount-Equipment.com to order your parts

Id	Qty	Number	Name	Specifications
10	1	1310974710	PLATE:COOLER ADD-ON	
20	7	1310036169	RIVET-POP: .125D, .188-.250GRIP	

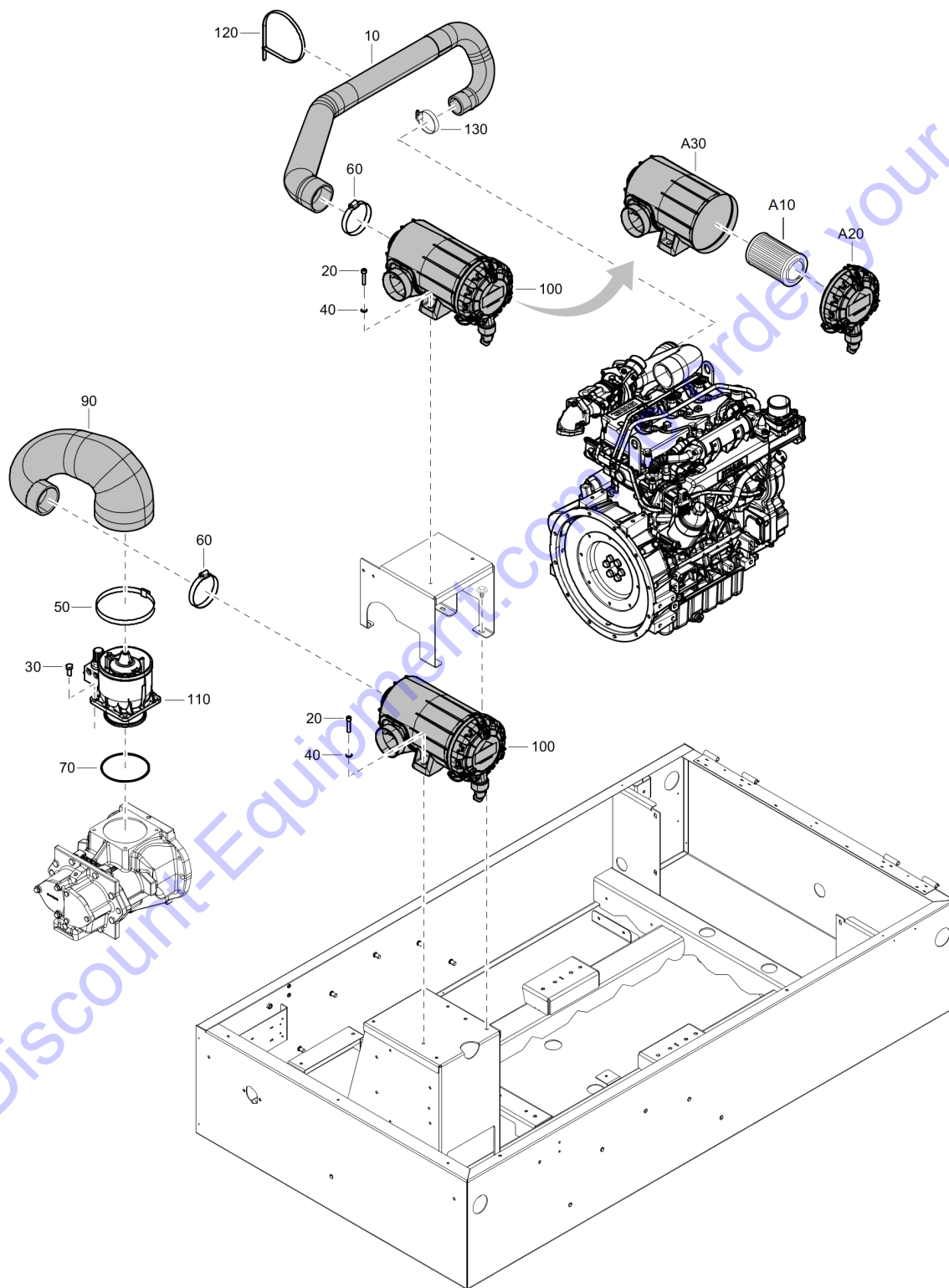
Go to Discount-Equipment.com to order your parts



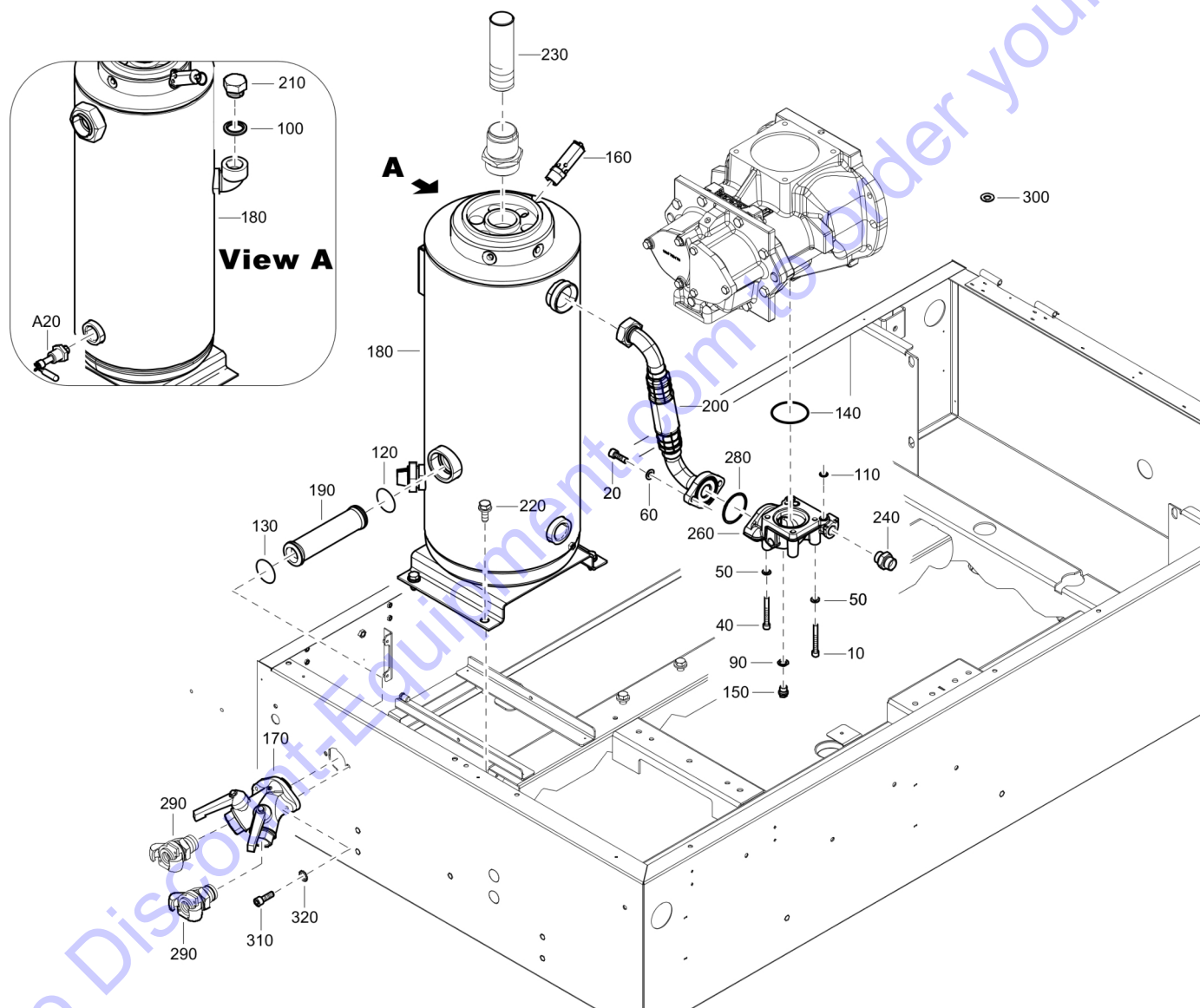
Go to Discount-Equipment.com to order your parts

Id	Qty	Number	Name	Specifications
10	1	1638886200	MODULE	
20	1	1310228000	HARNES:JUMPER FLEETLINK S8	
30	4	0147120703	HEX. HEAD SCREW	
40	4	0301231800	WASHER D5*10	
50	1	1310978400	PLATE:TELEMATICS S8	
60	1	1310978420	BRACKET:SMARTBOX ANTENNA S8	
70	2	1316010079	SCREW:DRILL,#8-18 X 1" HEX FZB	

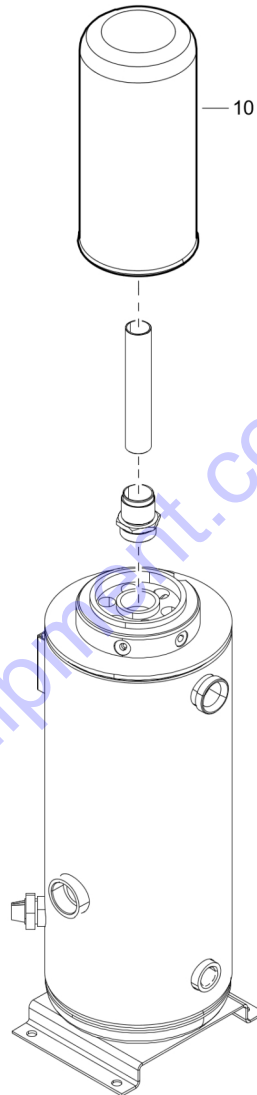
Go to Discount-Equipment.com to order your parts



Id	Qty	Number	Name	Specifications
10	1	1316172300	HOSE:AIR INLET CPS 185	
20	4	1310030894	SCREW:M8 X 40 SHCS SS	
30	4	0147136203	HEX. SOCK. SCREW	
40	4	0301233500	PLAIN WASHER(A) 8.4 X 16 X 1.6	
50	1	0347612100	HOSE CLIP	
60	2	0347613100	CLAMP-HOSE:M 77/95D WORM TYPE	
70	1	0663715000	O-RING 129.5X3	
90	1	1310218201	HOSE:AIR INLET,AC TO UNLOADER	
100	2	1310218600	AIR FILTER ASY:	Version: 1
110	1	1638552880	UNLOADER:ASSY BLOW-DOWN C90	
120	3	1310253601	CABLE TY:M375LX21W	
130	1	1310035202	CLAMP-HOSE: .56-1.06	



Id	Qty	Number	Name	Specifications
10	2	0211133303	HEX. SOCK. SCREW	
20	2	0211136303	HEX. SOCK. SCREW	
40	2	0211133700	Screw:M 8x85l,soc hd,cap \$stl	
50	6	0301233500	PLAIN WASHER(A) 8.4 X 16 X 1.6	
60	2	0301234400	Toothed washer	
90	1	0653106200	GASKET 13 X 20 X 1.5	
100	1	0661100029	WASHER-SEAL:M 27.1IDX34.9OD	
110	3	0663210778	O-RING	
120	1	0663312900	O-RING	
130	1	0663313000	O-RING	
140	1	0663713700	O-RING	
150	1	0686371601	PLUG G 1/4"	
160	1	1310030265	VALVE-SAFETY: .50NPT 170PSI	
170	1	1626857391	TRIPLE BALL VALVE	
180	1	1310220280		Version: 2
190	1	1310221801	Nozzle:minimum pressure	
200	1	1310974801	Hose:air discharge, 188 s8	
210	1	1615508000	PLUG	
220	4	1619276600	SCREW-SELF TAP:M 8X 20 HEX HD,	
230	1	1626823701	PIPE	
240	1	1626823800	NIPPLE	
260	1	1631006000	HOUSING VALVE	
280	1	0663713500	O-RING	
290	2	1638184300	COUPLING	
300	1	1088001901	WASHER D8.2 X D16.2 X 2.4	
310	2	0211132503	HEX SOCK. SCREW M8 X 25	
320	2	0333222500	SPRING WASHER M8	



Id	Qty	Number	Name	Specifications
10	1	6221372550	SEPARATOR OIL	

Go to Discount-Equipment.com to order your parts

Not Illustrated			
Ref	Part Number	Designation	Qty
10	1310796196	Block heater	1



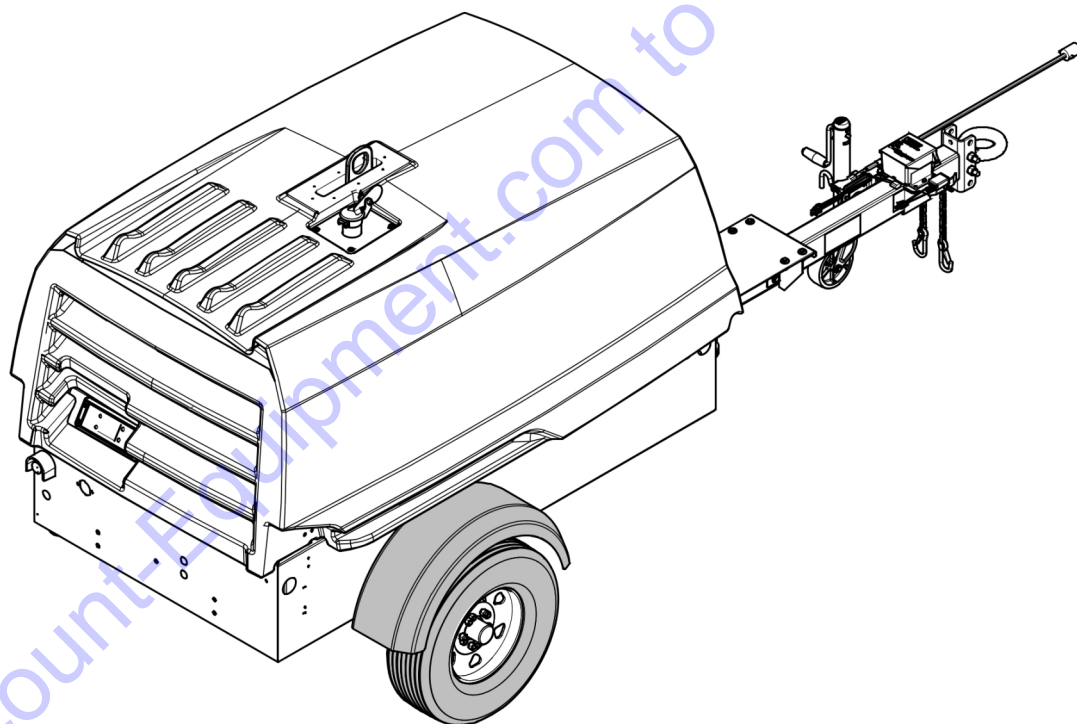
40

Go to Discount-Equipment.com to order your parts

Id	Qty	Number	Name	Specifications
10	1	1310796196	BLOCK HEATER:KOHLER PUMPS	
40	1	1316020214	LABEL:GENOIL	

Go to Discount-Equipment.com to order your parts


1




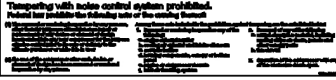
Id	Qty	Number	Name	Specifications
1	4	1310036169	RIVET-POP:.125D, .188-.250GRIP	

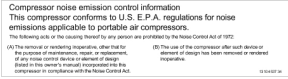
Go to Discount-Equipment.com to order your parts

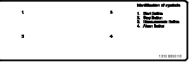
Not Illustrated			
Ref	Part Number	Designation	Qty
B10	1316020184	Label: tire loading	1
B40	1316020183	Label: operating inst	1
80	1316020309	Label:controller	1

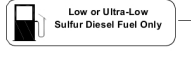
B20 

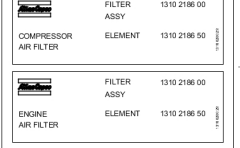
B50 


B80 

B70 

B90 

B30 


B100 


B60 

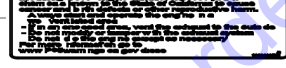
50

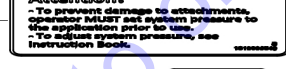
10

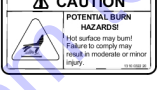
CPS 185-100


A10 


A70 

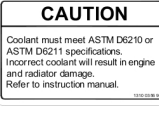
A30 

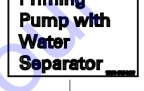
A120 


A50 


A140 


A20 


A130 

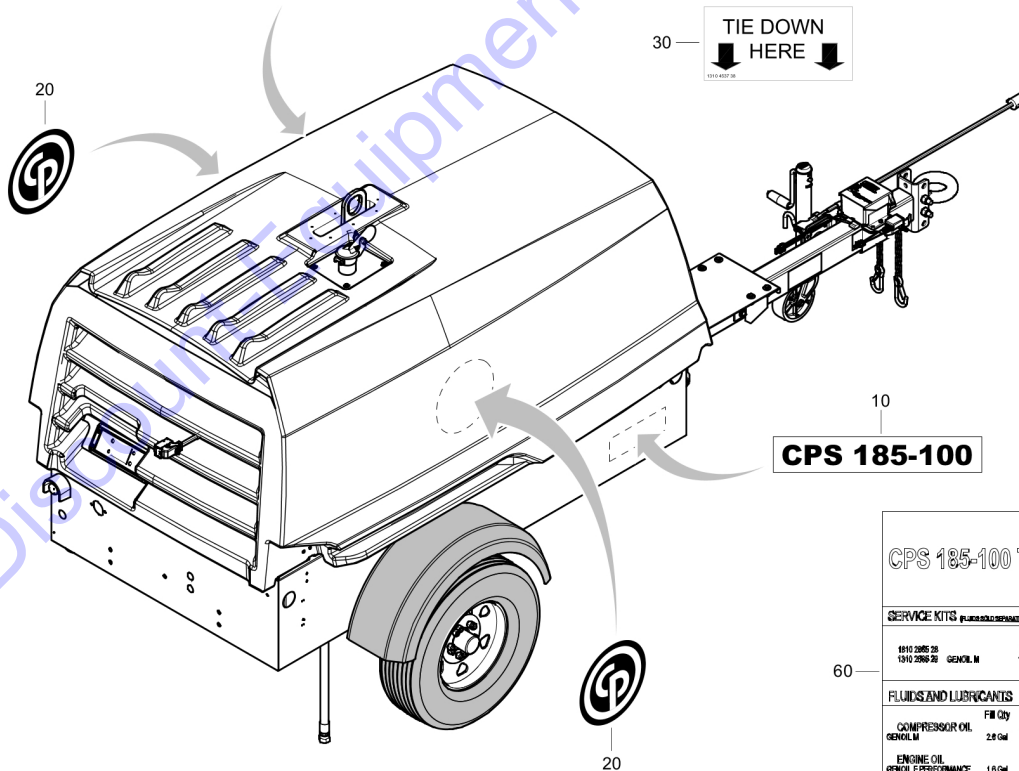
A100 

A80 

A40 

A90 

A110 



CPS 185-100 T4F				
SERVICE KITS (ACCESSORIES)				
8110 2385 28	INTERNAL	ENGINE LAR.	COMPRESSOR	
1310 2385 29	GENOL M	X	X	
FLUIDS AND LUBRICANTS				
	Fill Qty	1.3 Gal (5L)	5 Gal (20L)	55 Gal
COMPRESSOR OIL				
GENOL M	2.8 Gal	1928 2280 09	1929 2281 09	-
ENGINE OIL				
GENOL PERFORMANCE	1.8 Gal	1928 2282 00	1929 2283 00	-
GENOL PLUS	1.0 Gal	1928 2282 01	1929 2283 01	-
ENGINE COOLANT				
GENOOL EG	2.8 Gal	1928 2284 01	1929 2285 01	-

Id	Qty	Number	Name	Specifications
10	2	1316020116	Label:model cps185-100	
20	2	1310489100	LABEL:CPS LOGO 12 X 12 BLACK	
30	1	1310453738	LABEL: TIE DOWN HERE XAS188 MB	
40	1	1316020016	LABEL SHEET:UNIVERSAL S8	
50	1	1316021800	Label sheet:mb s8	
60	1	1316020117	Label:service pak cps185 stock	
80	1	1316020309	Label:controller	

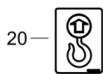
Go to Discount-Equipment.com to order your parts

Id	Qty	Number	Name	Specifications
10	2	1316020116	Label:model cps185-100	
20	2	1310489100	LABEL:CPS LOGO 12 X 12 BLACK	
30	1	1310453738	LABEL: TIE DOWN HERE XAS188 MB	
40	1	1316020016	LABEL SHEET:UNIVERSAL S8	
50	1	1316021800	Label sheet:mb s8	
60	1	1316020457	Label:service paks	

Go to Discount-Equipment.com to order your parts

WARNING!!
OPEN OUTLET VALVES BEFORE STARTING!
ANTES DE COMENZAR, ABRIR SOLO UN POCO LAS VÁLVULAS DE SALIDA!
1310 4537 31

Operating Instructions
To Start:
 1. Check fuel, coolant, engine oil and compressor oil.
 2. Crack service valves.
 3. Press power switch to fan controller "ON".
 4. Push start button.
 - the unit will start and begin warming sequence.
 - if necessary, prime the fuel system.
 5. After engine starts, close service valves to Shut Down.
 6. Check service valves.
 7. Press stop button to begin cool down and shutdown.
 8. Press power switch to fan controller "OFF".
1310 4537 32



TIRE AND LOADING INFORMATION
 The weight of cargo should not exceed 178 kg or 391 lbs.

AXLE	TYRE SIZE	COLD INFLATION PRESSURE
FRONT	265/75 D15	50 PSI/350 kPa
REAR		
SPARE		

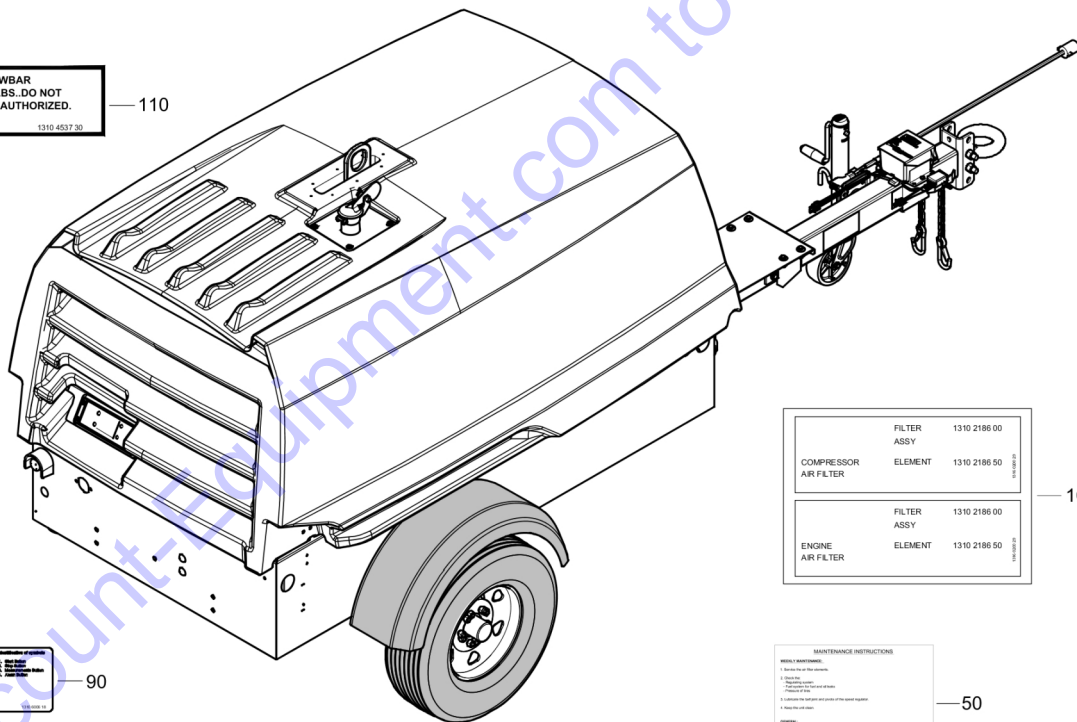
SEE OWNER'S MANUAL FOR ADDITIONAL INFORMATION

Tempering with noise control system prohibited.
 Federal law prohibits the following acts of the dealer/owner:
 1. Tampering with the noise control system.
 2. Removing or altering any noise control component.
 3. Replacing any noise control component with a non-approved component.
 4. Replacing any noise control component with a component that does not meet the same or better performance as the original component.
 5. Replacing any noise control component with a component that does not meet the same or better performance as the original component.
 6. Replacing any noise control component with a component that does not meet the same or better performance as the original component.
 7. Replacing any noise control component with a component that does not meet the same or better performance as the original component.
 8. Replacing any noise control component with a component that does not meet the same or better performance as the original component.
1310 4537 33

Low or Ultra-Low Sulfur Diesel Fuel Only

Compressor noise emission control information
 This compressor conforms to U.S. EPA regulations for noise emissions applicable to portable air compressors.
 The following acts of the dealer/owner are prohibited by the Noise Control Act of 1972:
 1. Tampering with the noise control system.
 2. Removing or altering any noise control component.
 3. Replacing any noise control component with a non-approved component.
 4. Replacing any noise control component with a component that does not meet the same or better performance as the original component.
 5. Replacing any noise control component with a component that does not meet the same or better performance as the original component.
 6. Replacing any noise control component with a component that does not meet the same or better performance as the original component.
 7. Replacing any noise control component with a component that does not meet the same or better performance as the original component.
 8. Replacing any noise control component with a component that does not meet the same or better performance as the original component.
1310 4537 34

IMPORTANT - TORQUE 5/8 TOWBAR ATTACHING BOLTS TO 130 FT. LBS. DO NOT SUBSTITUTE BOLTS, USE ONLY AUTHORIZED PARTS.
1310 4537 30



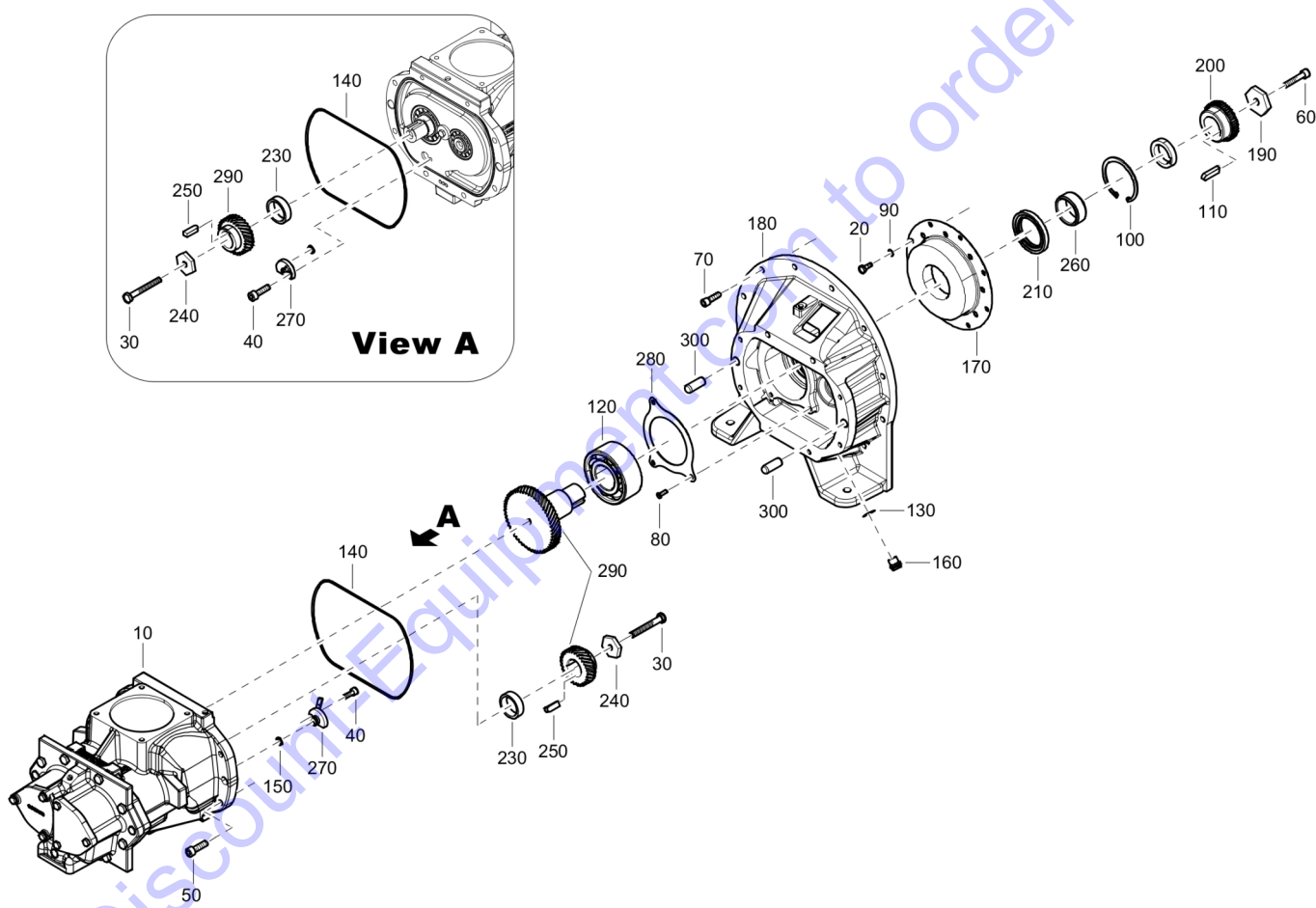
1
2
3
1310 4537 35

FILTER ASSY	1310 2186 00	<small>1310 4537 36</small>
COMPRESSOR ELEMENT	1310 2186 50	
FILTER ASSY	1310 2186 00	<small>1310 4537 37</small>
ENGINE AIR FILTER ELEMENT	1310 2186 50	

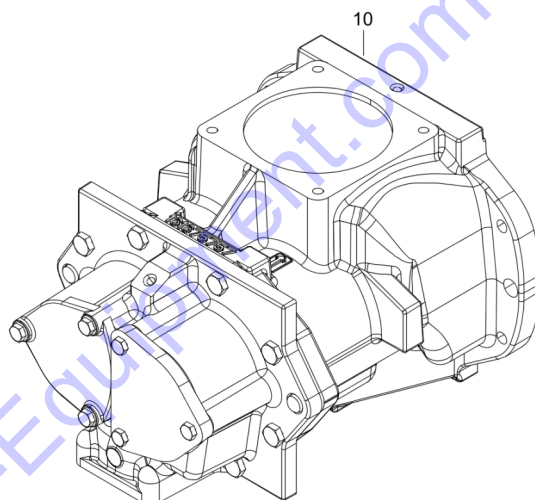
MAINTENANCE INSTRUCTIONS
 1. Check oil level.
 2. Check coolant level.
 3. Check fuel level.
 4. Check air filter.
 5. Check tire pressure.
 6. Check belt tension.
 7. Check for leaks.
 8. Check for loose parts.
 9. Check for damage.
 10. Check for wear.
 11. Check for rust.
 12. Check for corrosion.
 13. Check for electrical issues.
 14. Check for safety issues.
 15. Check for other issues.
1310 4537 38

Id	Qty	Number	Name	Specifications
10	1	1316020052	LABEL:TIRE LOADING, 15IN MB	
20	1	1316020020	LABEL:LIFT HERE MB	
30	1	1316020021	LABEL:LOW SULFUR DIESEL FUEL	
40	1	1316020024	LABEL:OPERATING INST MB 185	
50	1	1316020026	LABEL:MAINTENANCE INST MB 185	
60	1	1316020031	LABEL:OPEN VALVES, MB 185	
70	1	1310453734	LABEL:COMPR NOISE EMISS CONTR	
80	1	1310453736	LABEL:TAMPERING W/NOISE SYST P	
90	1	1310600618	LABEL:CONTROLLER XC1004 PE BLK	
100	1	1316020029	LABEL:AIR CLEANER, MB 185	
110	1	1310453730	LABEL:TOWBAR TORQUE	

Go to Discount-Equipment.com to order your parts



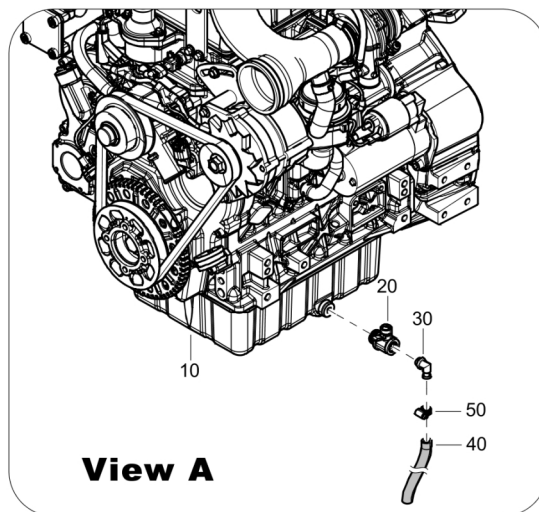
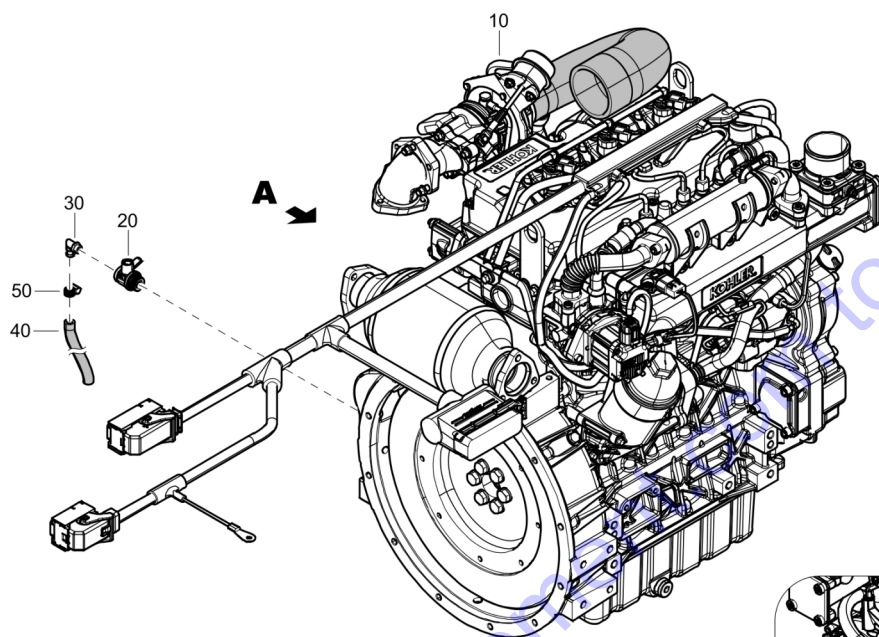
Id	Qty	Number	Name	Specifications
10	1	1616757591	SERVICE AIR-END OIS J-50	
20	8	0144324603	SCREW	
30	1	0147136803	HEX. BOLT M10X55X8.8	
40	1	0211132303	SCREW	
50	8	0211136403	HEX. SOCK M10X35X8.8	
60	1	0211140800	HEX. SOCK M12X65X12.9	
70	12	0211585513	SCREW	
80	3	0147124403	HEX. HEAD SCREW M6 X 12	
90	8	0333322700	LOCK WASHER	
100	1	0335216200	CIRCLIP D=85	
110	1	0337606200	PARALLEL KEY	
120	1	0504020013	BALL BEARING	
130	1	0653110000	GASKET 17 X 21 X 1.5	
140	1	0663211620	O-RING	
150	1	0663311800	O-RING	
160	1	0686371630	PLUG 3/8 AA	
170	1	1316012900	COUPLING: BOWEX 48-7 1/2 T40SH	
180	1	1310974200	HOUSING:J-50 TO SAE 4 MACHINED	
190	1	1604028700	WASHER	
200	1	1316011912	HUB:BOWEX 42 - 32MM CENTERED	
210	1	1616562500	LIP SEAL	
230	1	1638214300	SPACER	
240	1	1638214600	WASHER PLAIN	
250	1	1638214700	KEY PARALLEL	
260	1	1638214900	BUSHING	
270	1	1638225300	OIL NOZZLE BOX2.4	
280	1	1638250900	PLATE BEARING	
290	1	1310924020	GEAR SET: 1.793, C-90 FB	
300	2	0101195140	PARALLEL PIN	



Go to Discount-Equipment.com to order your parts

Id	Qty	Number	Name	Specifications
10	1	1616757591	SERVICE AIR-END OIS J-50	

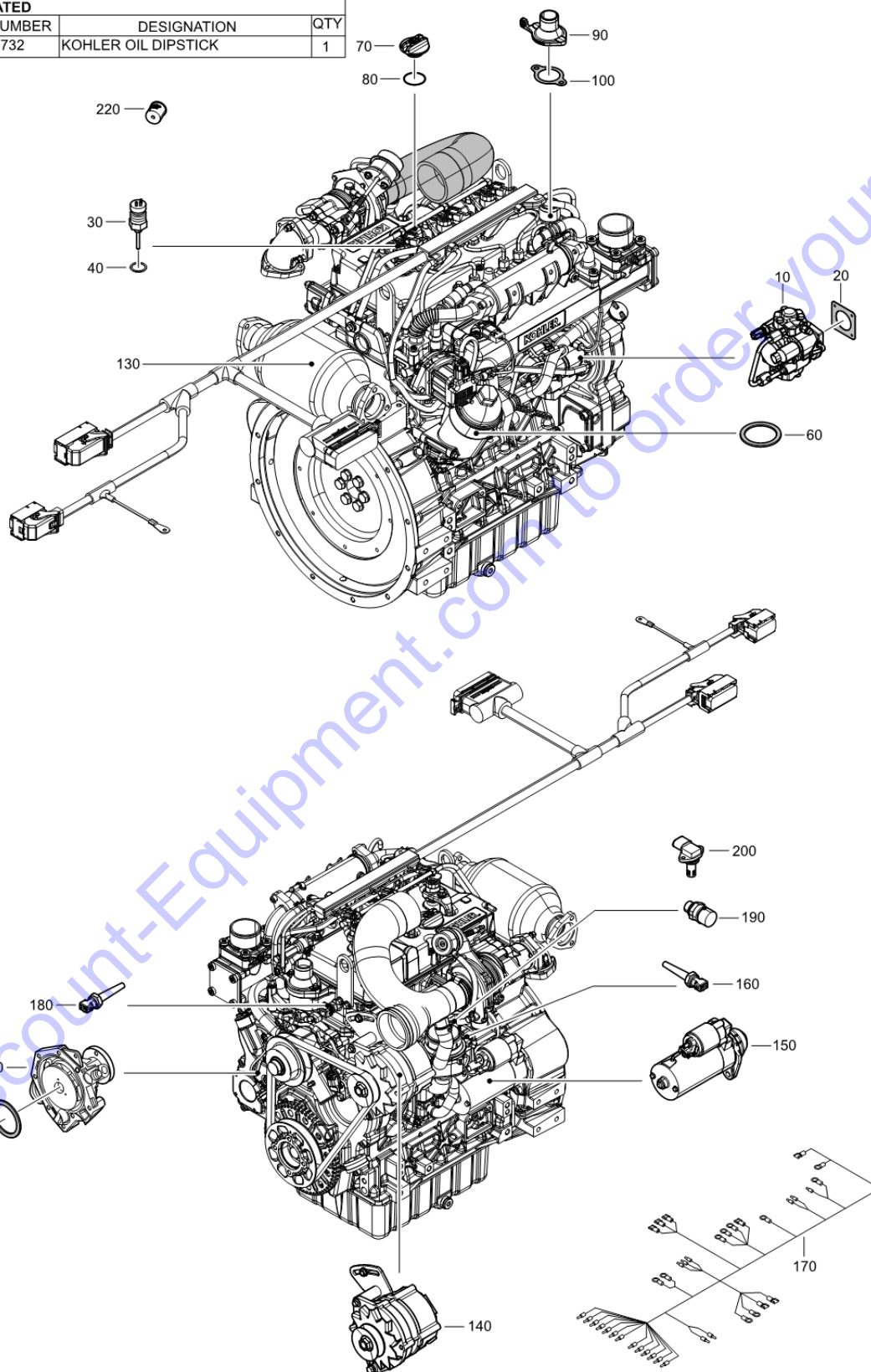
Go to Discount-Equipment.com to order your parts



Id	Qty	Number	Name	Specifications
10	1	1310076560	ENGINE-DIESEL:KOHLER 1903	
20	1	1316020112	VALVE:OIL DRAIN M18	
30	1	1316020114	BARB-ELBOW:EZ DRAIN 3/8"	
40		0075402569	HOSE:3/8" PUSH-LOK	
50	1	1310032384	CLAMP-HOSE: .25- .62,SIZE 4	

Go to Discount-Equipment.com to order your parts

NOT ILLUSTRATED			
REF	PART NUMBER	DESIGNATION	QTY
50	1316021732	KOHLER OIL DIPSTICK	1



Id	Qty	Number	Name	Specifications
10	1	4810060642	INJECTION PUMP	
20	1	4810060624	INJECTION PUMP GASKET	
30	3	4810060627	INJECTOR ASSEMBLY	
40	3	4810060602	INJECTOR GASKET	
50	1	1316021732	188 KOHLER OIL DIPSTICK	
60	1	4810060662	OIL FILTER GASKET KIT	
70	1	4810060668	OIL FILLING CAP	
80	1	4810060601	OIL FILLING GASKET	
90	1	4810060672	THERMOSTATIC VALVE ASSEMBLY	
100	1	4810060622	THERMOSTATIC VALVE GASKET	
110	1	4810060637	WATER PUMP ASSEMBLY	
120	1	4810060625	WATER PUMP GASKET	
130	1	4810060611	CATALYST ASSEMBLY	
140	1	4810060598	ALTERNATOR	
150	1	4810060634	STARTER MOTOR	
160	1	4810060648	OIL PRESSURE SWITCH	
170	1	4810060613	WIRE HARNESS	
180	1	4810060660	TEMPERATURE SWITCH WATER	
190	1	4810060658	SPEED SENSOR	
200	1	4810060659	T-MAP SENSOR	
220	1	4810060608	SWITCH: DIRTY AIR FILTER	

PARTS FINDER

**Search Website
by Part Number**



**Search Manual
Library For Parts
Manual & Lookup Part
Numbers – Purchase
or Request Quote**

Search Manuals

Enter your information to help us find the right parts manual for your machine.

* Brand:

* Model:

* Serial:

* Part Number:

SEARCH

**Can't Find Part or
Manual? Request Help
by Manufacturer,
Model & Description**

Parts Order Form

Please fill in the following information to help us find the right part for your machine.

Manufacturer:	<input type="text"/>
Model:	<input type="text"/>
Description:	<input type="text"/>
Part Number:	<input type="text"/>
Quantity:	<input type="text"/>
Notes:	<input type="text"/>

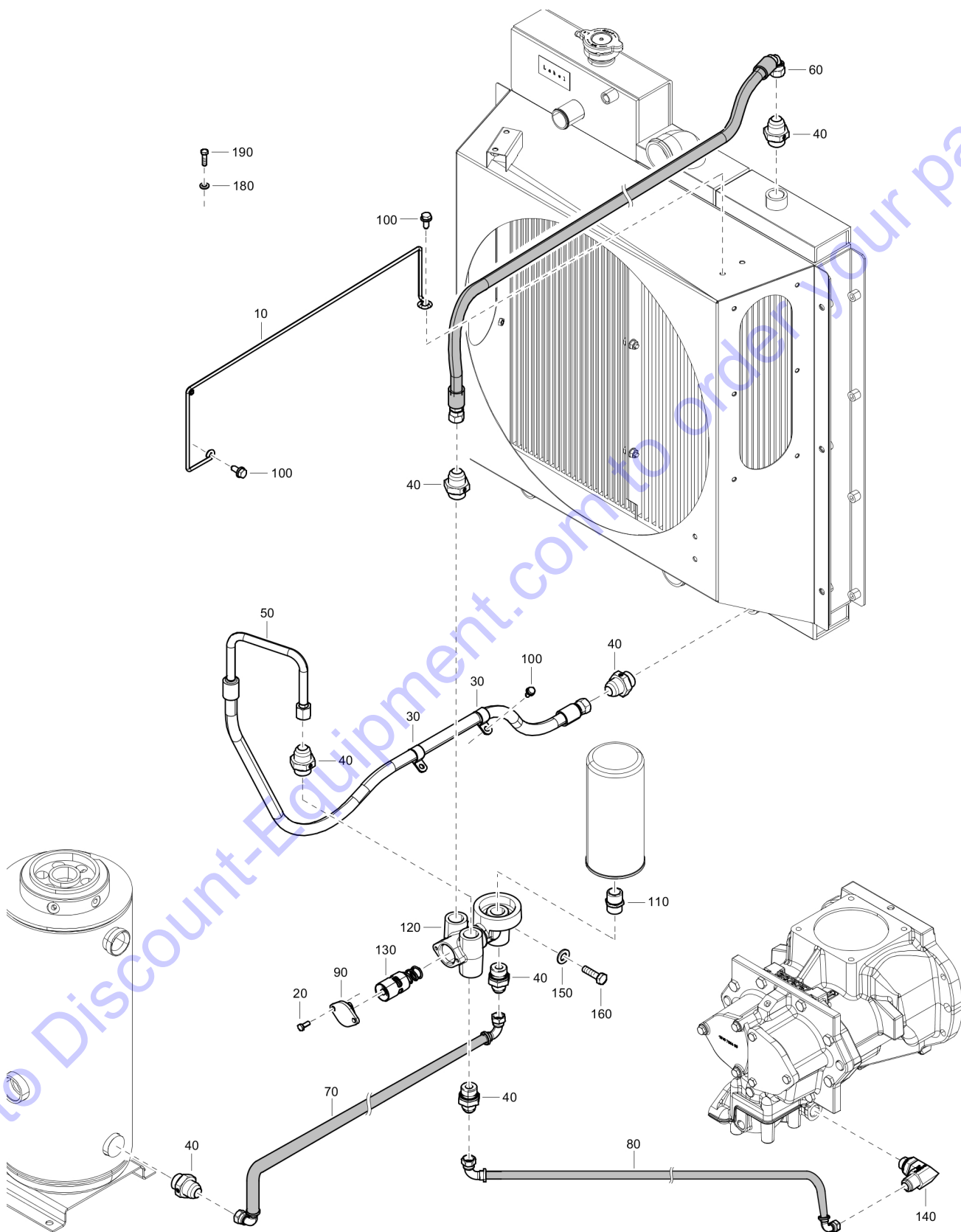
Discount-Equipment.com is your online resource for quality parts & equipment.

Florida: **561-964-4949** Outside Florida TOLL FREE: **877-690-3101**

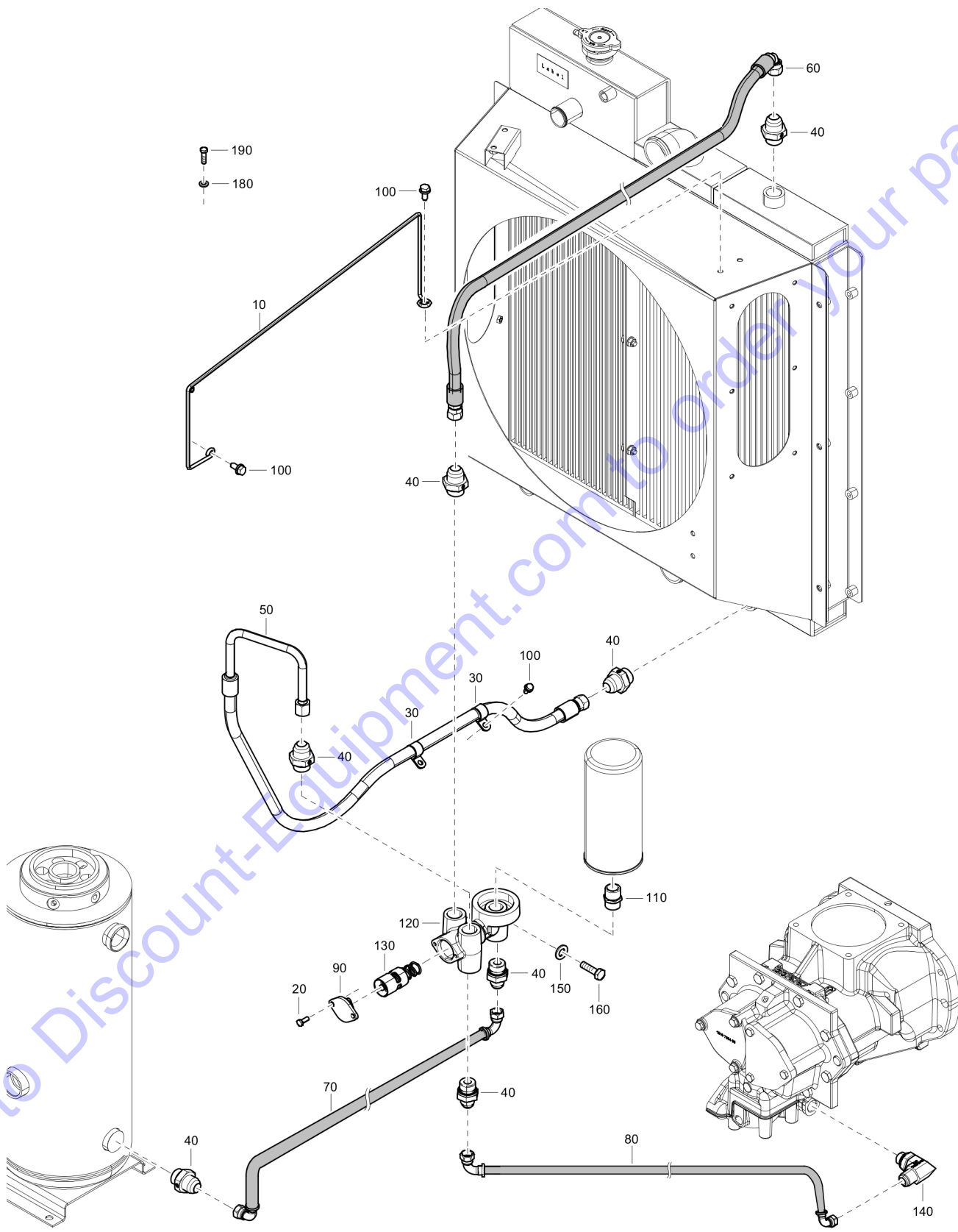
Need parts?

Click on this link: <http://www.discount-equipment.com/category/5443-parts/> and choose one of the options to help get the right parts and equipment you are looking for. Please have the machine model and serial number available in order to help us get you the correct parts. If you don't find the part on the website or on one of the online manuals, please fill out the request form and one of our experienced staff members will get back to you with a quote for the right part that your machine needs.

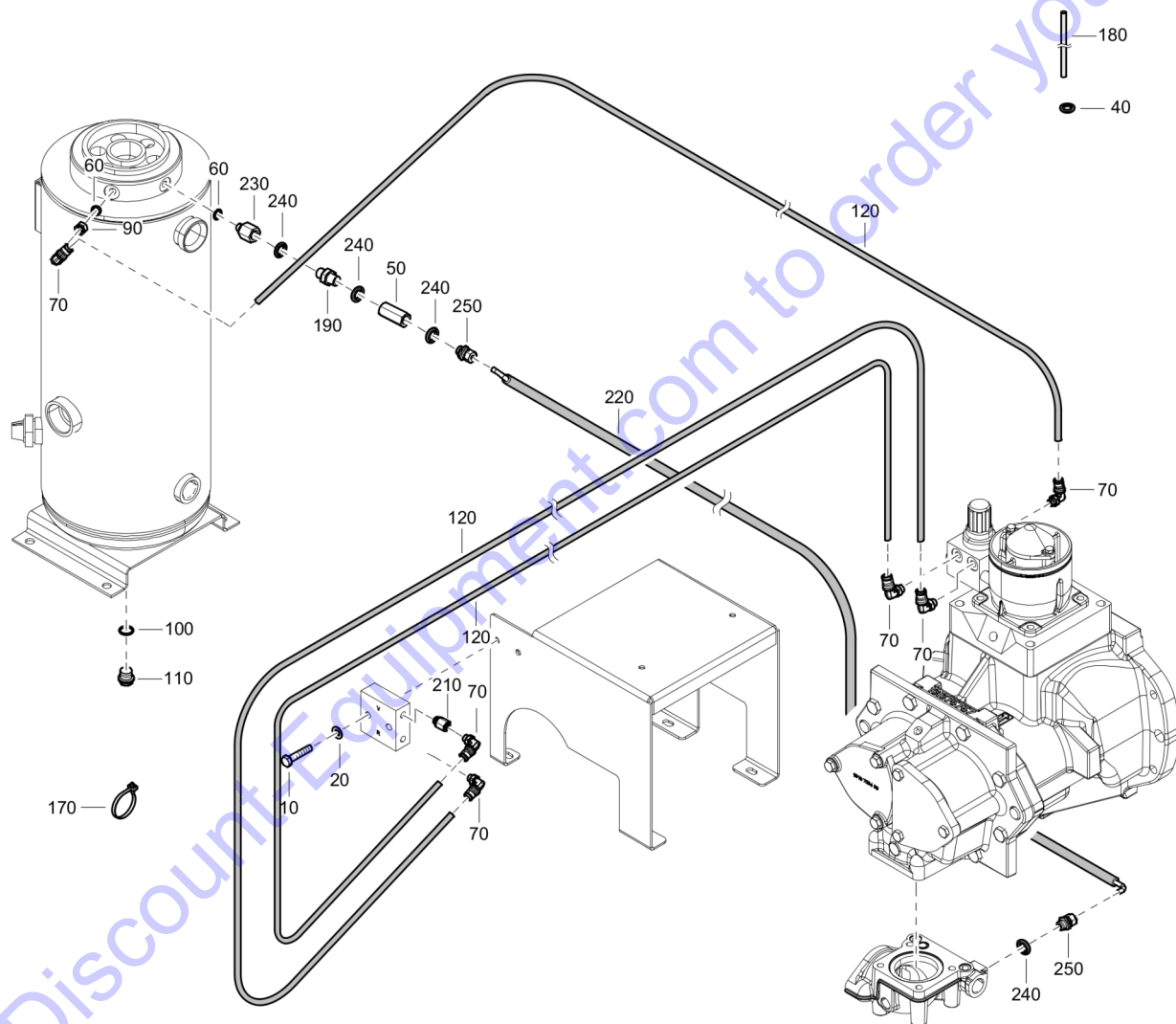
We sell worldwide for the brands: Genie, Terex, JLG, MultiQuip, Mikasa, Essick, Whiteman, Mayco, Toro Stone, Diamond Products, Generac Magnum, Airman, Haulotte, Barreto, Power Blanket, Nifty Lift, Atlas Copco, Chicago Pneumatic, Allmand, Miller Curber, Skyjack, Lull, Skytrak, Tsurumi, Husquvarna Target, Stow, Wacker, Sakai, Mi-T-M, Sullair, Basic, Dynapac, MBW, Weber, Bartell, Bennar Newman, Haulotte, Ditch Runner, Menegotti, Morrison, Contec, Buddy, Crown, Edco, Wyco, Bomag, Laymor, EZ Trench, Bil-Jax, F.S. Curtis, Gehl Pavers, Heli, Honda, ICS/PowerGrit, IHI, Partner, Imer, Clipper, MMD, Koshin, Rice, CH&E, General Equipment, Amida, Coleman, NAC, Gradall, Square Shooter, Kent, Stanley, Tamco, Toku, Hatz, Kohler, Robin, Wisconsin, Northrock, Oztec, Toker TK, Rol-Air, APT, Wylie, Ingersoll Rand / Doosan, Innovatech, Con X, Ammann, Mecalac, Makinex, Smith Surface Prep, Small Line, Wanco, Yanmar



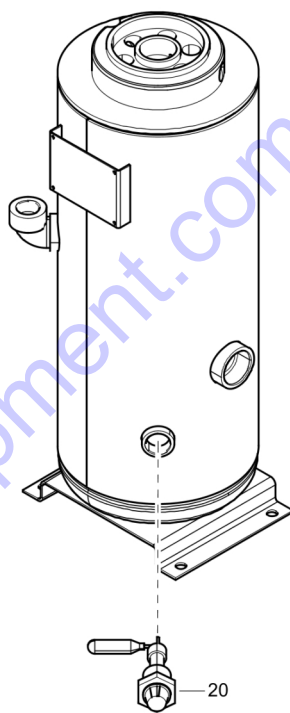
Id	Qty	Number	Name	Specifications
10	1	1316171501	GUIDE:UPPER OIL HOSE CPS185	
20	2	0147124603	HEX. HEAD SCREW M6 X 16	
30	4	1310034289	CLAMP-HOSE: 1.00' NOM P-CLAMP	
40	7	1310073086	ADAPTER:.625JICX.750BSPP, M-M	
50	1	1310222931	Hose	
60	1	1310222951	Hose	
70	1	1316171000	HOSE ASY:VESSEL TO TBV XAS188	
80	1	1316171100	HOSE ASY:TBV TO ELEMENT XAS188	
90	1	1614611800	FLANGE THERMOSTAT	
100	5	1619276600	SCREW-SELF TAP:M 8X 20 HEX HD,	
110	1	1619377000	NIPPLE	
120	1	1622272820	HOUSING THERM	
130	1	1622706405	THERMOSTATIC VALVE 71 DEG C	
140	1	1316010002	ELBOW:-10JICMX.5GM \$STL	
150	2	0301235800	PLAIN WASHER(A) 13 X 24 X 2.5	
160	2	0147136315	SCREW:M10 X 30 HEX HD ZP,LOCK	
180	1	0300027464	WASHER-FLAT:M6 FENDER ZP STL	
190	1	0147124703	PARAF M6X20 DIN933 8.8 FZB	



Id	Qty	Number	Name	Specifications
10	1	1316171502	GUIDE:UPPER OIL HOSE CPS185	
20	2	0147124603	HEX. HEAD SCREW M6 X 16	
30	4	1310034289	CLAMP-HOSE: 1.00' NOM P-CLAMP	
40	7	1310073086	ADAPTER:.625JICX.750BSPP, M-M	
50	1	1316212300	HOSE: S8 OIL COOLER	
60	1	1316233500	HOSE:ASY KD VALVE TO COOLER	
70	1	1316171000	HOSE ASY:VESSEL TO TBV XAS188	
80	1	1316171100	HOSE ASY:TBV TO ELEMENT XAS188	
90	1	1614611800	FLANGE THERMOSTAT	
100	5	1619276600	SCREW-SELF TAP:M 8X 20 HEX HD,	
110	1	1619377000	NIPPLE	
120	1	1622272820	HOUSING THERM	
130	1	1622706405	THERMOSTATIC VALVE 71 DEG C	
140	1	1316010002	ELBOW:-10JICMX.5GM \$STL	
150	2	0301235800	PLAIN WASHER(A) 13 X 24 X 2.5	
160	2	0147136315	SCREW:M10 X 30 HEX HD ZP,LOCK	
180	1	0300027464	WASHER-FLAT:M6 FENDER ZP STL	
190	1	0147124703	PARAF M6X20 DIN933 8.8 FZB	



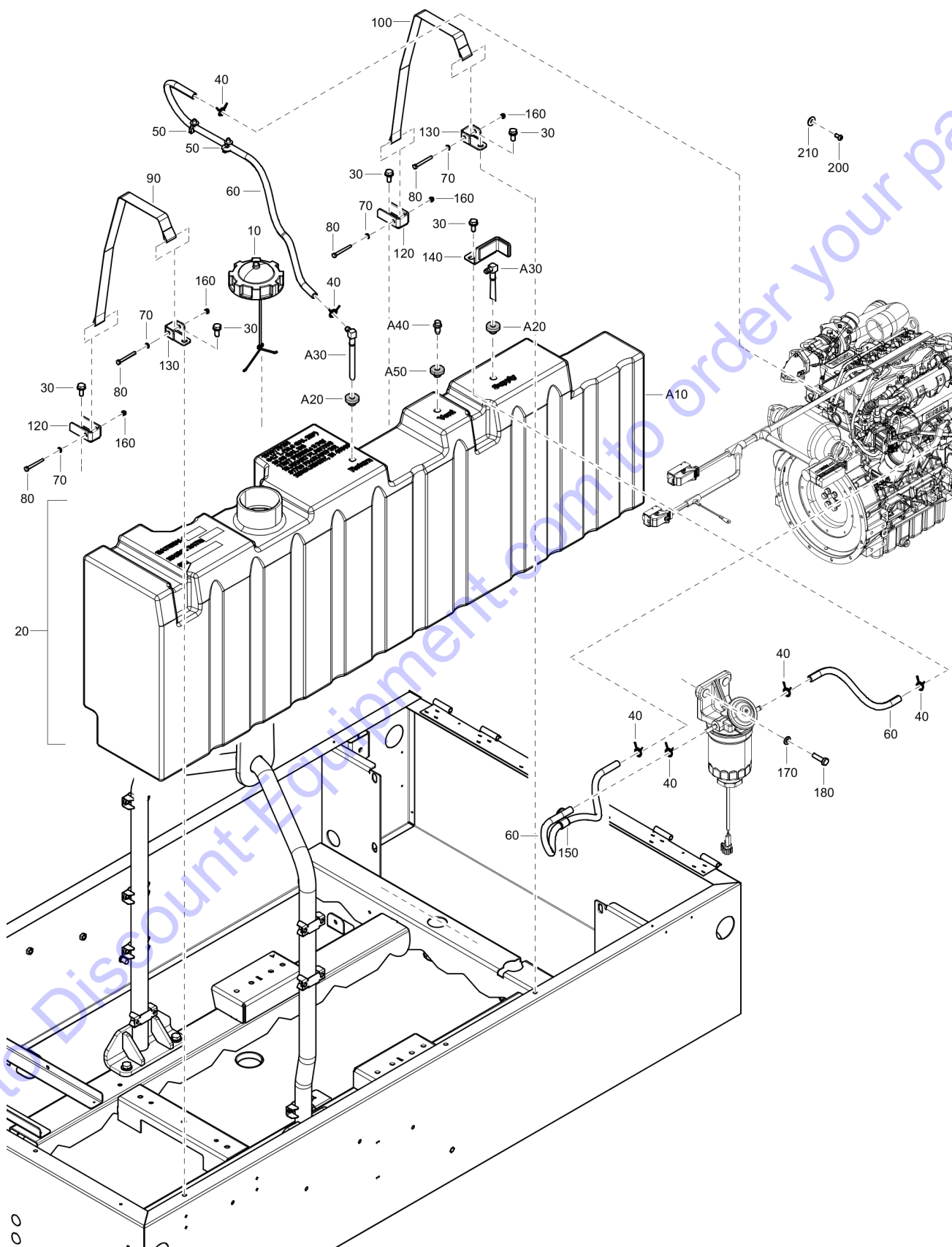
Id	Qty	Number	Name	Specifications
10	2	0147132803	HEXAGON BOLT	
20	2	0301233500	PLAIN WASHER(A) 8.4 X 16 X 1.6	
40	2	0661100025	WASHER-SEAL:M 13.7X20.57X2 \$ST	
50	1	1316010219	VALVE-CHECK:G.25 0.5 BAR CRACK	
60	2	1310034579	WASHER-FLAT:M10.0/14.0X1.0MM	
70	6	1310074084	ELBOW	
90	1	1310266305	BUSHING: .125G X .125G M-F	
100	1	0653110000	GASKET 17 X 21 X 1.5	
110	1	0686371630	PLUG 3/8 AA	
120		0070600205	PLASTIC TUBE	
170	1	1310253601	CABLE TY:M375LX21W	
180		0070600248	HOSE TUBO RILSAN 6X4 TRASP.	
190	1	1310072256	ADAPTER:G.25MALE X G.25MALE	
210	1	1310030475	ADAPTER: G.25M X NPT.25F	
220	1	1316010215	HOSE ASY: SCAVENGE, XAS 188	
230	1	1626277701	NOZZLE	
240	4	0661100038	SEALING WASHER 13.74X20.57	
250	2	0581000052	STRAIGHT PIPE COUPLING	



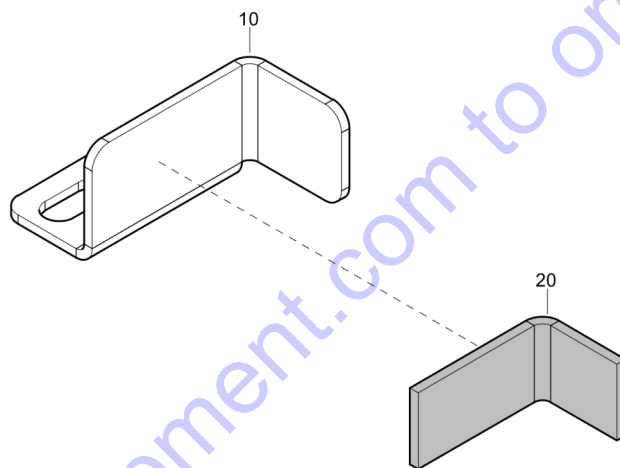
Go to Discount-Equipment.com to order your parts

Id	Qty	Number	Name	Specifications
20	1	1616510800	INDICADOR NIVEL	

Go to Discount-Equipment.com to order your parts



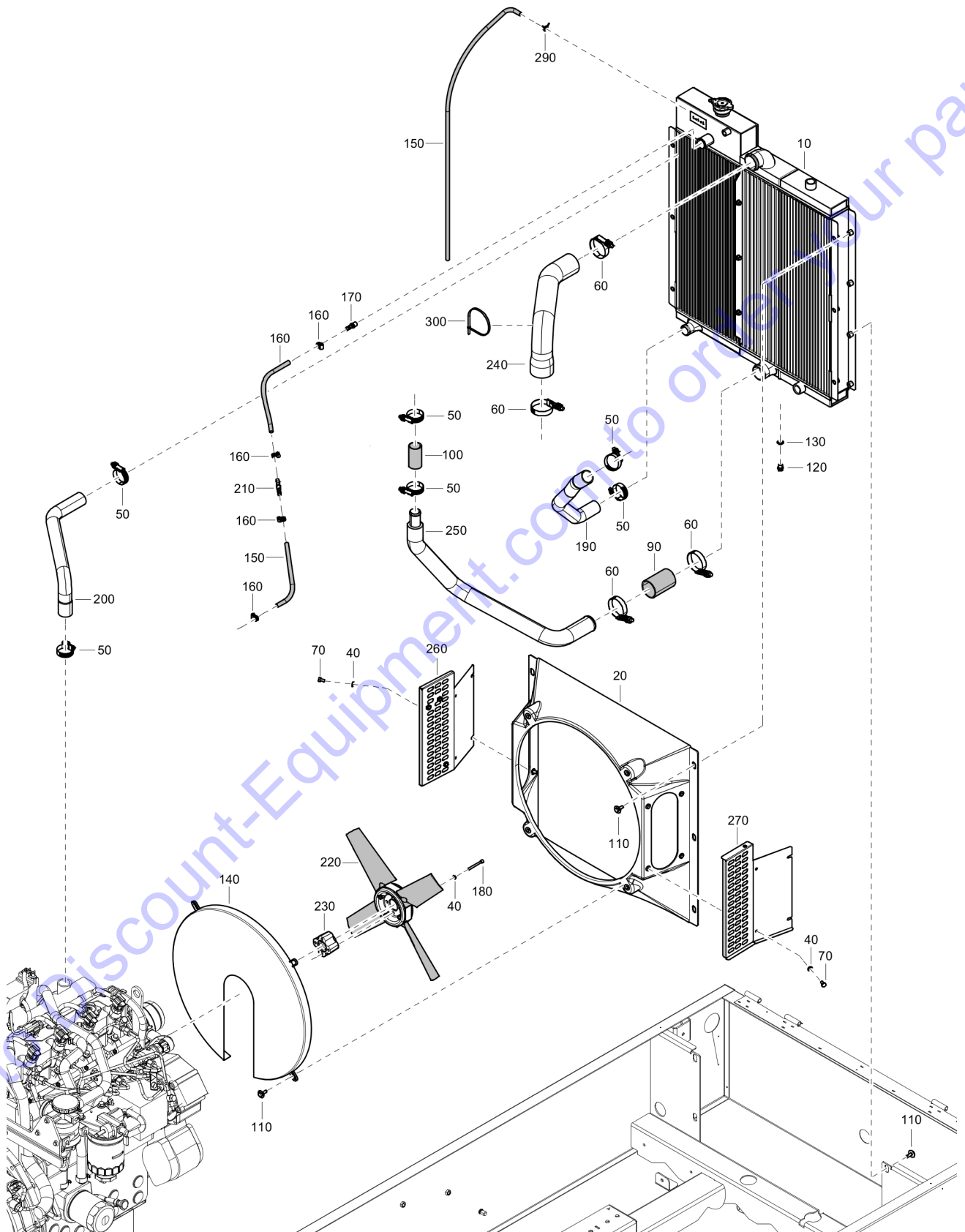
Id	Qty	Number	Name	Specifications
10	1	1310924378	FUELCAP:KELCH 3.5" (BLACK)	
20	1	1316170180	FUEL TANK ASY:CPS 185	
30	6	1619276600	SCREW-SELF TAP:M 8X 20 HEX HD,	
40	6	1310265699	CLAMP:SPRING 1/2" OD HOSE	
50	2	0348010212	CABLE TIE: WITH FIR TREE MOUNT	
60		1310031198	HOSE: .32IDX.09W RUBBER POLYME	
70	4	0301231800	WASHER D5*10	
80	4	0147121403	SCREW	
90	2	1616461401	BELT FLAT	
100	2	1616461501	STRAP	
120	2	1316172800	BRACKET:FUEL TANK MOUNT RS	
130	2	1316172850	BRACKET:FUEL TANK MOUNT CS	
140	1	1316172981	BRACKET ASY:FUEL TANK SUPPORT	
150	2	1310036557	CLAMP:0.5" ID XM10,P-TYPE \$RBR	
160	4	0291110700	NUT M5 DIN985 CL8 FZB	
170	1	0300027666	WASHER:M8.40/16.0X1.5T BLACK	
180	2	0147132603	SCREW:M 8X 30;HEX HD,ZN PLT,\$S	
200	2	0215000377	SCREW ISO7380 M8X16 10.9 ZN NG	
210	4	1310030866	WASHER-FLAT:M 8 SS	



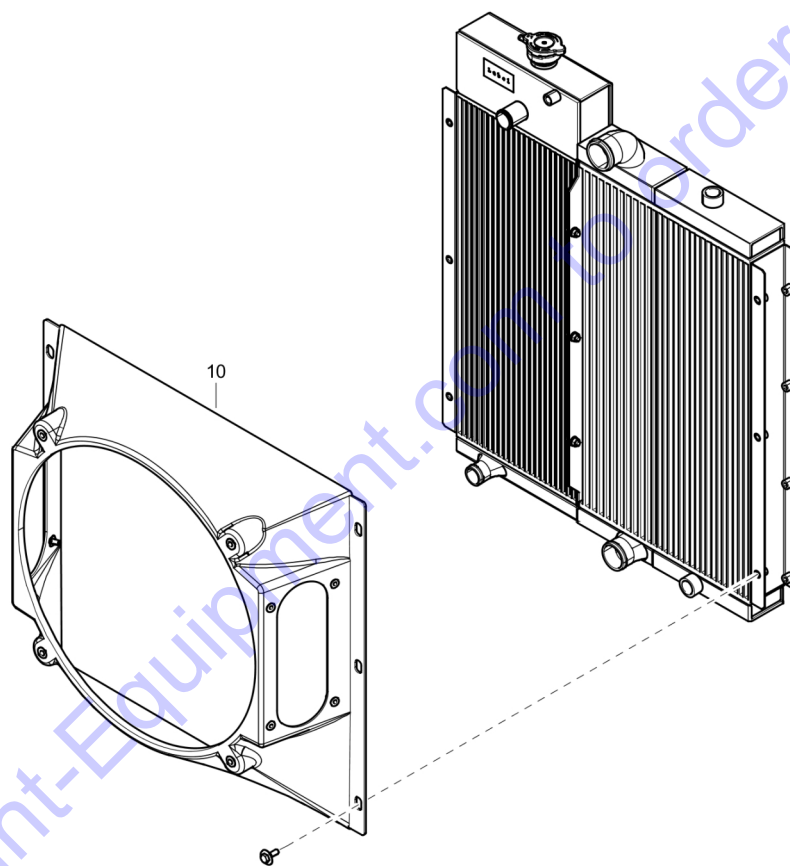
Go to Discount-Equipment.com to order your parts

Id	Qty	Number	Name	Specifications
10	1	1316172901	Bracket:fuel tank support	
20	1	1316172970	Seal-rubber:fuel tank support	

Go to Discount-Equipment.com to order your parts

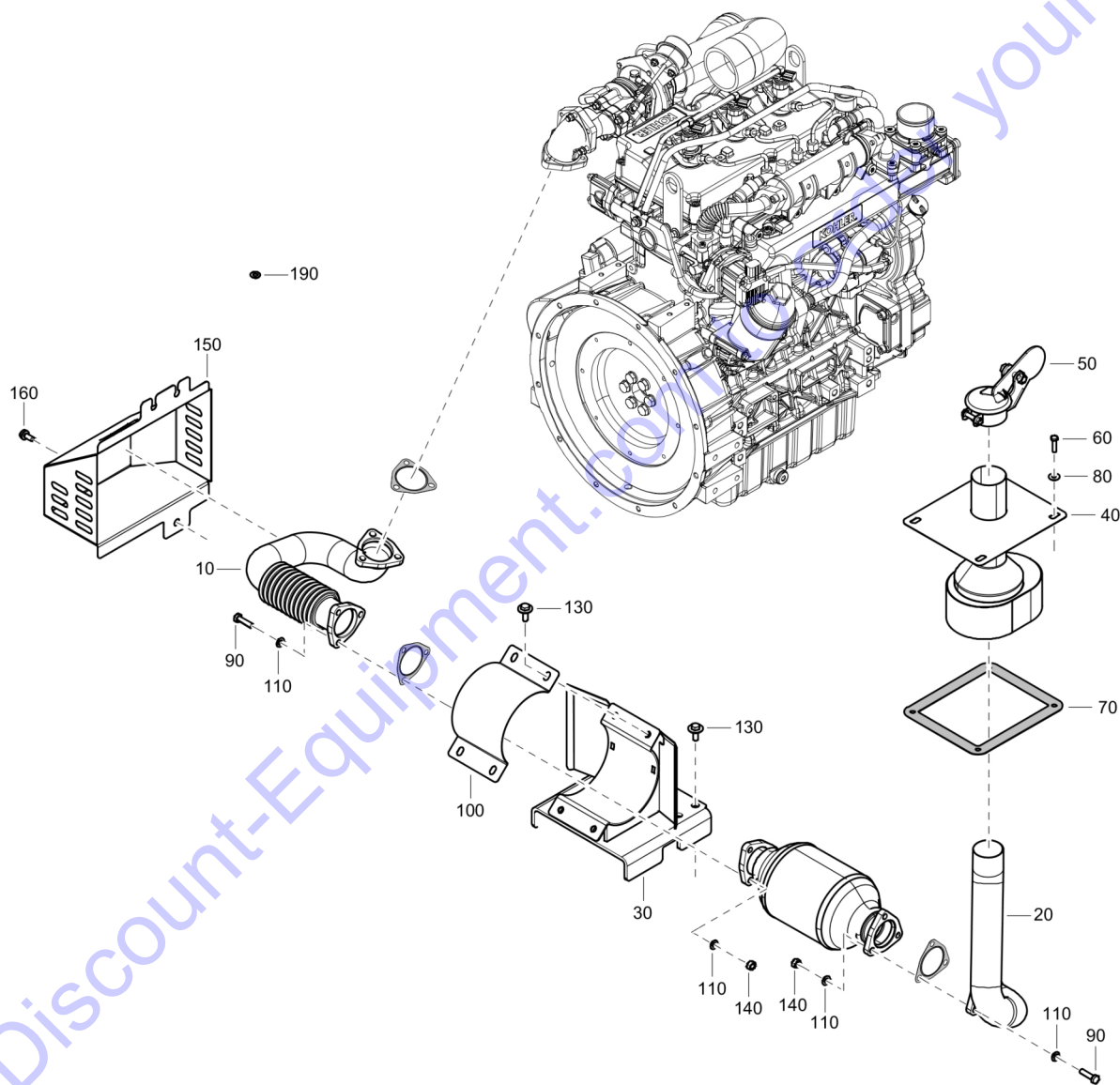


Id	Qty	Number	Name	Specifications
10	1	1316010302	COOLER:OIL/RAD/CAC, XAS188 KD	
20	1	1316170780		Version: 00
40	12	0301232100	PLAIN WASHER(A) 6.4 X 12 X 1.6	
50	6	1310075619	CLAMP-HOSE:M21/44D CONST-TORQ	
60	4	1310075622	CLAMP-HOSE:M46/70D CONST-TORQ	
70	8	0147124403	HEX. HEAD SCREW M6 X 12	
90	1	1310223700	HOSE SLEEVE:2.13IDX3.50L CAC	
100	1	1310929801	HOSE SLEEVE:	
110	14	1615566400	HEX. HEAD SCREW	
120	2	0686371601	PLUG G 1/4"	
130	2	0653106200	GASKET 13 X 20 X 1.5	
140	1	1310034283	FAN GUARD	
150	6	1310031198	HOSE: .32IDX.09W RUBBER POLYME	
160	4	1310032384	CLAMP-HOSE: .25- .62,SIZE 4	
170	1	1310035595	NIPPLE-HOSE:1/4+NPTM X 5/16	
180	4	0211125603	HEX. SOCK M6X60X8.8	
190	1	1316170300	HOSE:LOWER COOLANT CPS185	
200	1	1316170400	Hose	
210	1	1316174604	PRESSURE REDUCER:1.5MM BARB	
220	1	1316170800	Fan asy	
230	1	1310265683	Fan spacer	
240	1	1316170601	HOSE:CAC OUTLET CPS 185	
250	1	1316170500	PIPE:CAC INLET CPS 185	
260	1	1316173200	Guard	
270	1	1316173300	Guard	
290	1	1310265699	CLAMP:SPRING 1/2" OD HOSE	
300	1	1310253601	CABLE TY:M375LX21W	



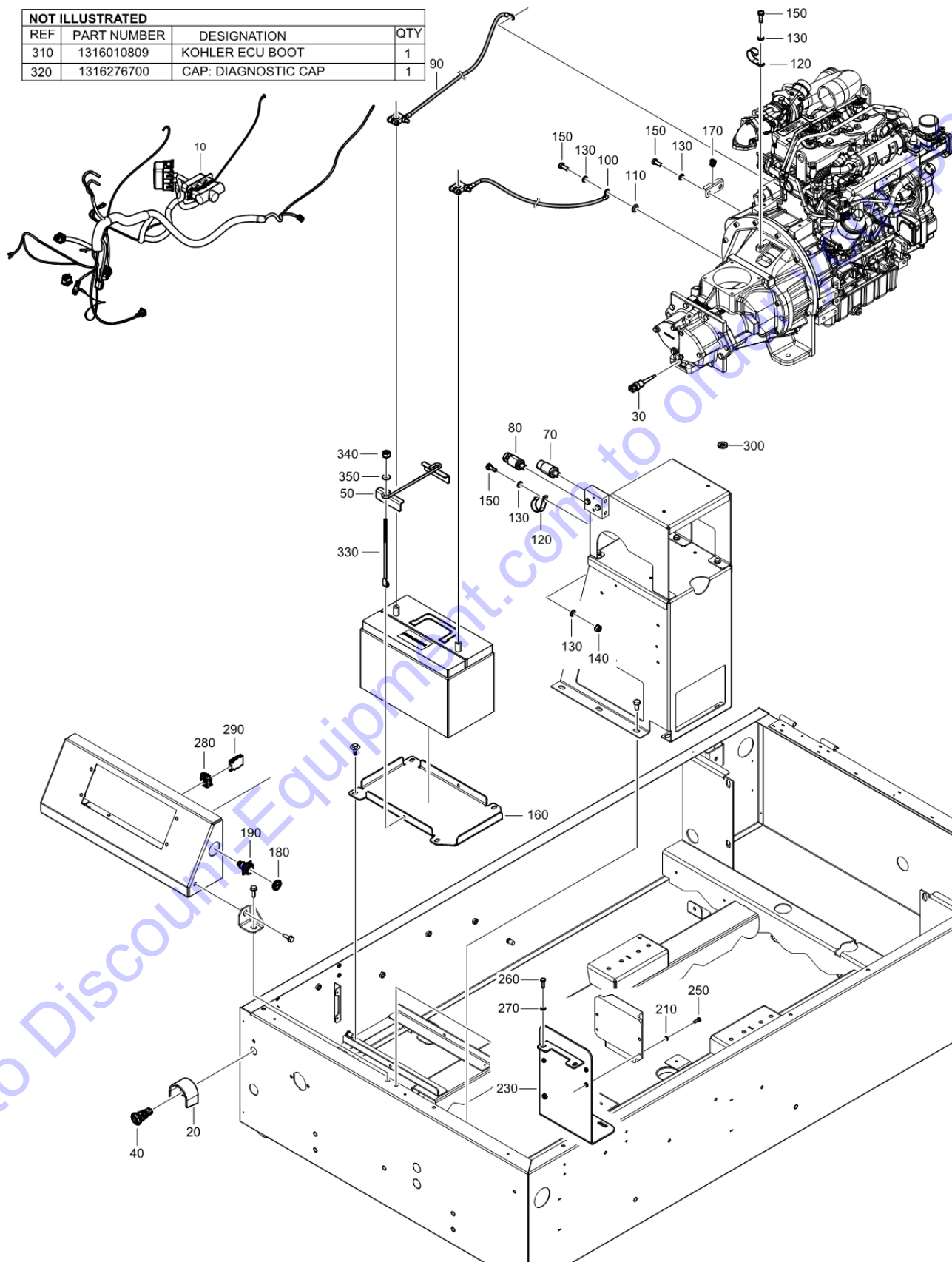
Id	Qty	Number	Name	Specifications
10	1	1316170700	Fan box	

Go to Discount-Equipment.com to order your parts

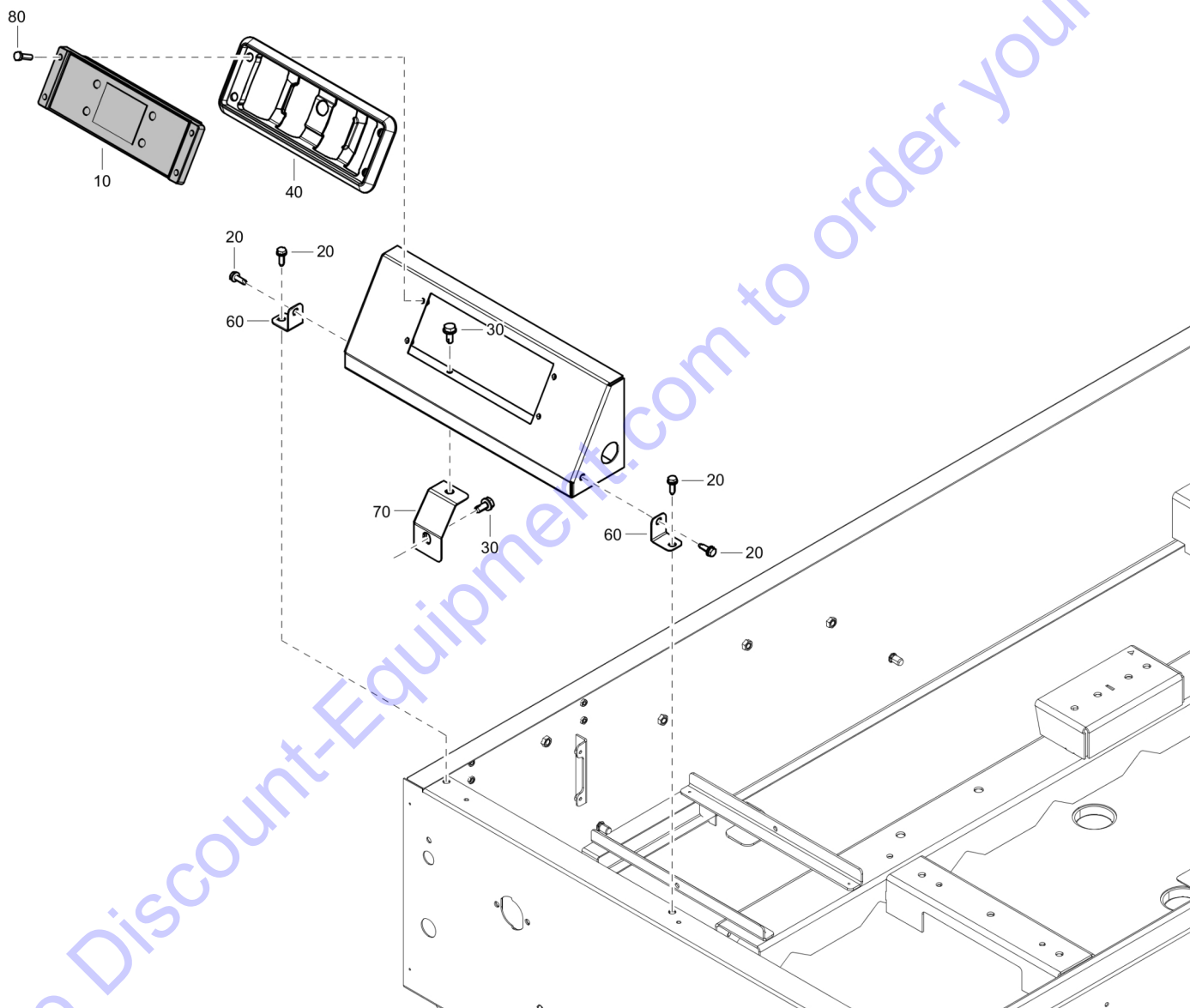


Id	Qty	Number	Name	Specifications
10	1	1316171900	PIPE:TURBO TO DOC CPS185	
20	1	1316172001	PIPE:EXHAUST OUT CPS 185	
30	1	1316170904	SUPPORT: DOC CPS 185	
40	1	1316172100	PIPE:EXHAUST,CANOPY CPS185	
50	1	1310073863	RAIN CAP - 2.25+	
60	4	0147124903	HEX. HEAD SCREW M6 X 25	
70	1	1310222500	SEAL:HIGH TEMP RUBBER	
80	4	0300027464	WASHER-FLAT:M6 FENDER ZP STL	
90	6	0147132603	SCREW:M 8X 30;HEX HD,ZN PLT,\$S	
100	1	1316170951	STRAP:DOC CPS 185	
110	12	0300027666	WASHER:M8.40/16.0X1.5T BLACK	
130	8	1615566400	HEX. HEAD SCREW	
140	6	0266211000	HEXAGON NUT M8	
150	1	1316202902	HEAT SHIELD	
160	1	1619276600	SCREW-SELF TAP:M 8X 20 HEX HD,	
190	1	0301234400	Toothed washer	

NOT ILLUSTRATED			
REF	PART NUMBER	DESIGNATION	QTY
310	1316010809	KOHLER ECU BOOT	1
320	1316276700	CAP: DIAGNOSTIC CAP	1

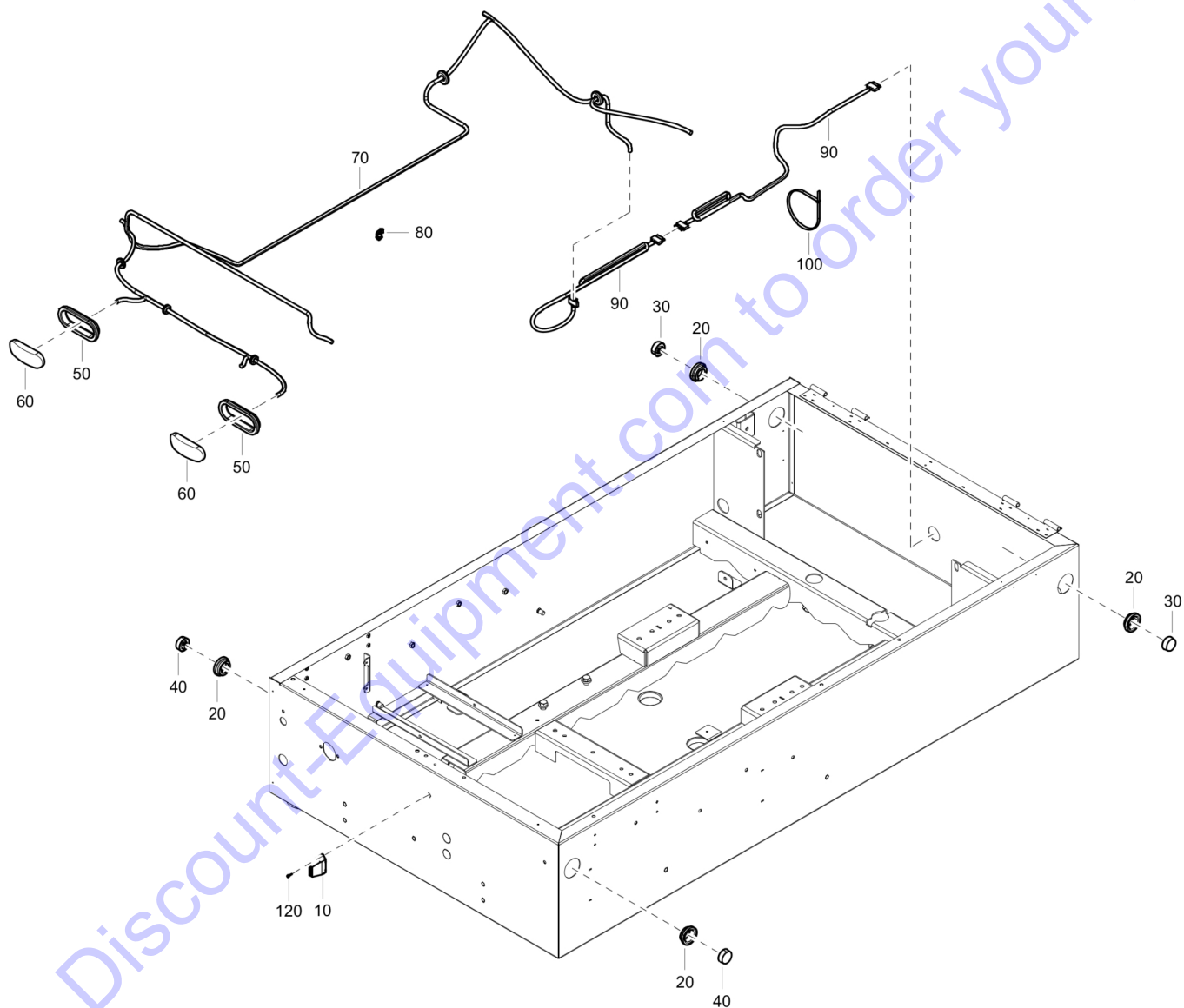


Id	Qty	Number	Name	Specifications
10	1	1316184300	WIRING HARNESS:CPS 185 KOHLER	
20	1	1316010308	COLLAR-PROTECTIVE	
30	1	1089057470	temp sensor L=50	
40	1	1310600560	SWITCH:E-STOP S2 QAS CUBICLE	
50	1	1310031166	CLAMP-BATTERY:UNIVERSAL HOLD	
70	1	1607852288	PRESSURE SENSOR	
80	1	1607852293	PRESSURE SENSOR	
90	1	1310717810	CABLE:POS 2AWG 25.5" M8 M10	
100	1	1310717910	CABLE:NEG 2AWG 26.5" M10 M13	
110	1	1088001903	CONTACT WASHER	
120	4	1316010080	CLAMP-HOSE:1.5 NOM DIA. J-CLIP	
130	6	0301234400	Toothed washer	
140	1	0266211100	NUT:M10.0DX 8.4H HEX,ZN PLT,\$S	
150	5	0147136203	HEX. SOCK. SCREW	
160	1	1316172500	BRACKET:BATTERY CABLE	
170	3	0348010212	CABLE TIE: WITH FIR TREE MOUNT	
180	1	1310074142	ADAPTER COVER:USB TYPE A	
190	1	1310074140	ADAPTER:USB-A TO USB-B PE400	
210	4	0301232100	PLAIN WASHER(A) 6.4 X 12 X 1.6	
230	1	1316155401	BRACKET: ECU TO FRAME	
250	4	0147124703	PARAF M6X20 DIN933 8.8 FZB	
260	1	0147132503	SCREW:M 8X 25;HEX HD,ZN PLT,\$S	
270	2	0300027666	WASHER:M8.40/16.0X1.5T BLACK	
280	1	1310600562	SWITCH-HOLDER:METAL	
290	1	1310600563	SWITCH,CONTACT BLOCK,S2:NO&NC	
300	1	0333222500	SPRING WASHER M8	
310	1	1316010809	KOHLER ECU BOOT	
320	1	1316276700	CAP: DIAGNOSTIC CAP	
330	2	1316021285	J-BOLT:1/4-20 X 9 ZINC PLT	
340	2	1316021286	NUT: 1/4-20 HEX NUT ZINC PLT	
350	2	1316021287	WASHER: 1/4 USS TYPE ZINC PLT	



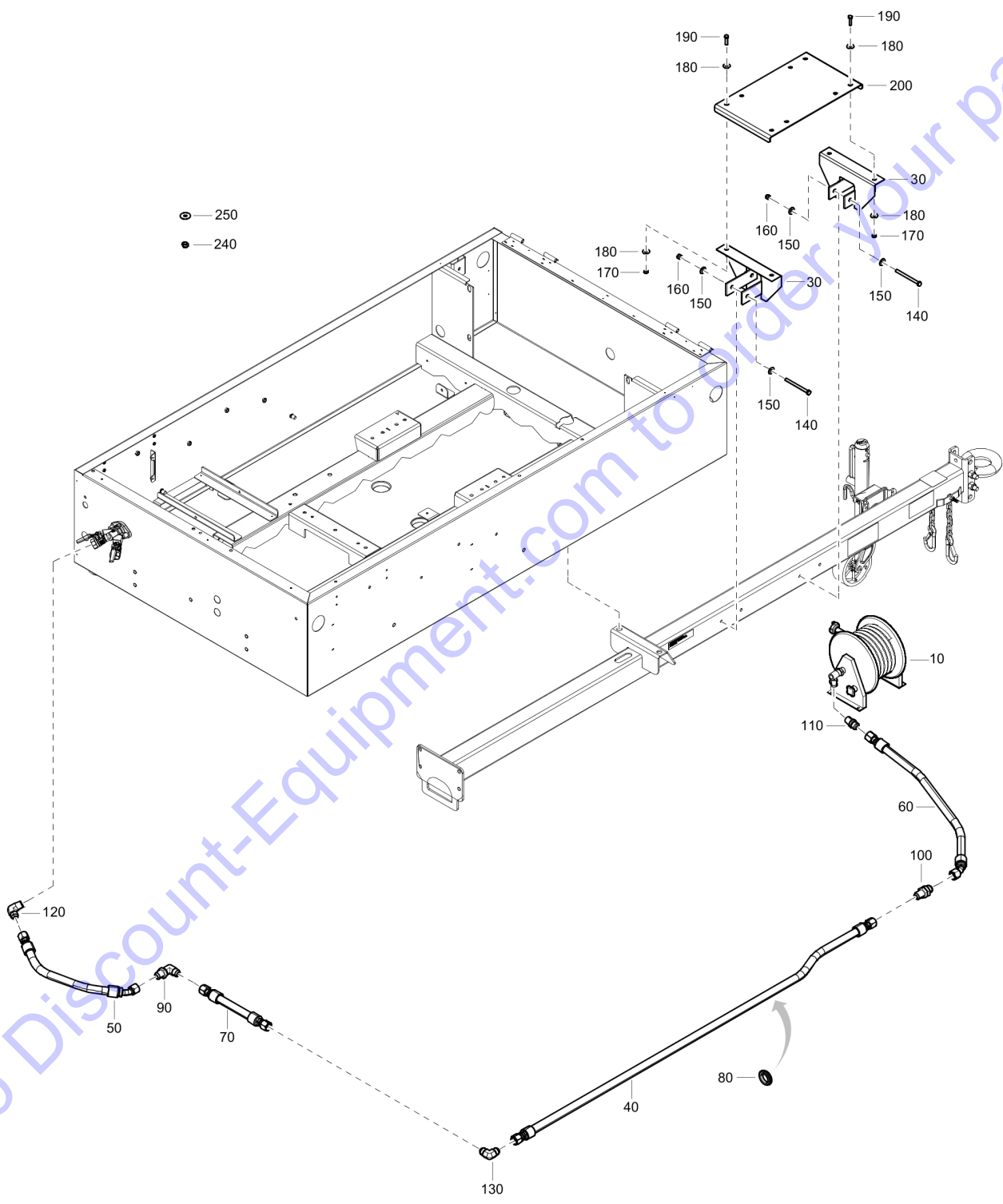
Id	Qty	Number	Name	Specifications
10	1	1638605402	CONTROLLER	
20	4	1619589801	HEXAGON BOLT	
30	2	1619276600	SCREW-SELF TAP:M 8X 20 HEX HD,	
40	1	1638666810	SEAL	
60	2	1316171700	SUPPORT:CONTROL PANEL	
70	1	1316171800	SUPPORT:CONTROL REAR	
80	4	0160099696	SCREW	

Go to Discount-Equipment.com to order your parts

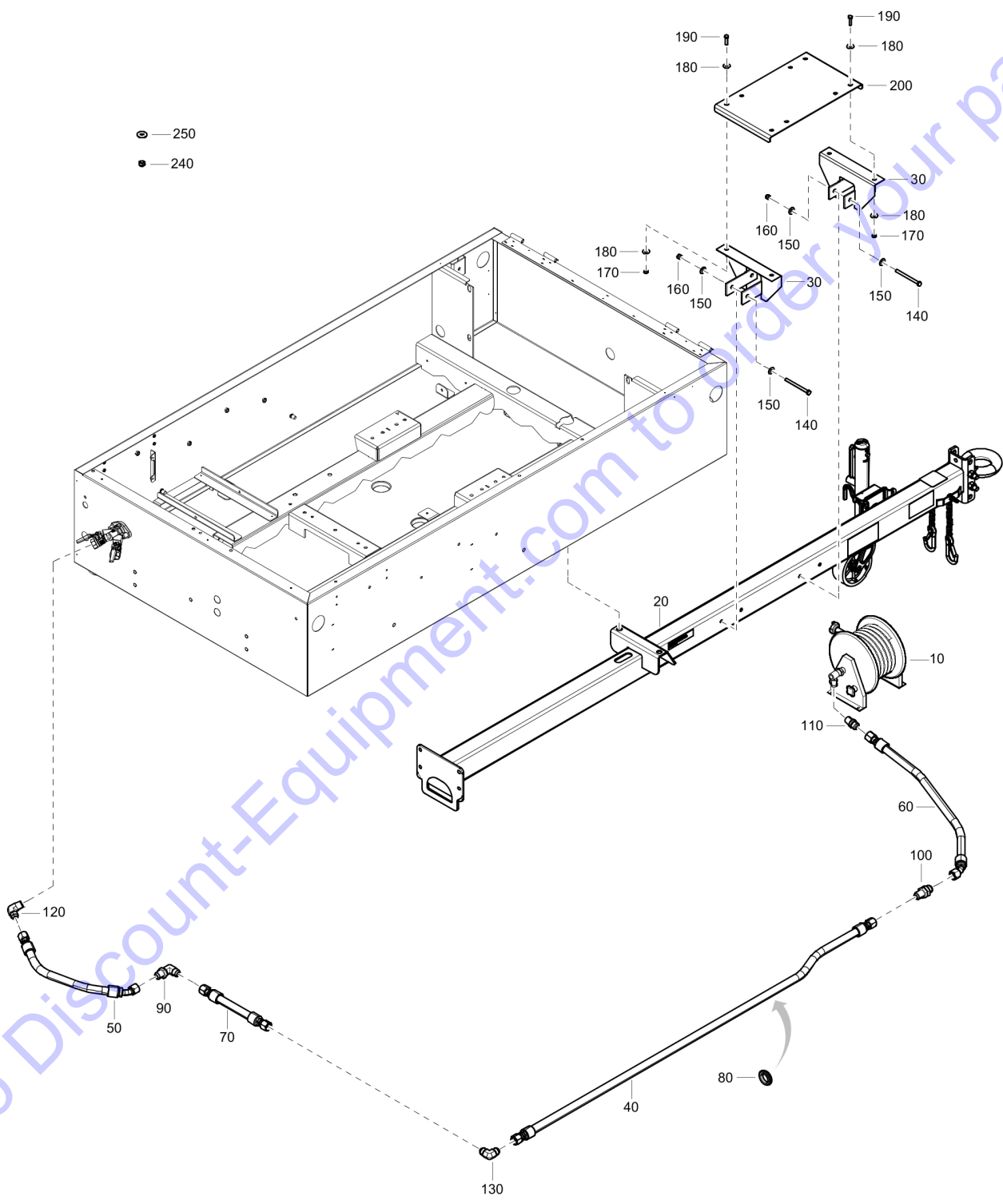


Id	Qty	Number	Name	Specifications
10	1	1310036971	LAMP:LICENSE PLATE	
20	4	1310415500	GROMMET:2" SIDE MARKER LIGHTS	
30	2	1310414300	REFLECTOR:AMBER	
40	2	1310414200	REFLECTOR: RED	
50	2	1310030293	GROMMET:STOP-TURN-TAIL LAMP	
60	2	1310030247	LAMP:STOP TURN TAIL	
70	1	1316183701	HARNES:ROADLIGHT CPS 185-100	
80	10	0348010212	CABLE TIE: WITH FIR TREE MOUNT	
90	2	1310030466	HARNES-EXTENSION:XAS	
100	2	1310253601	CABLE TY:M375LX21W	
120	2	0211117303	HEX SOCK. SCREW	

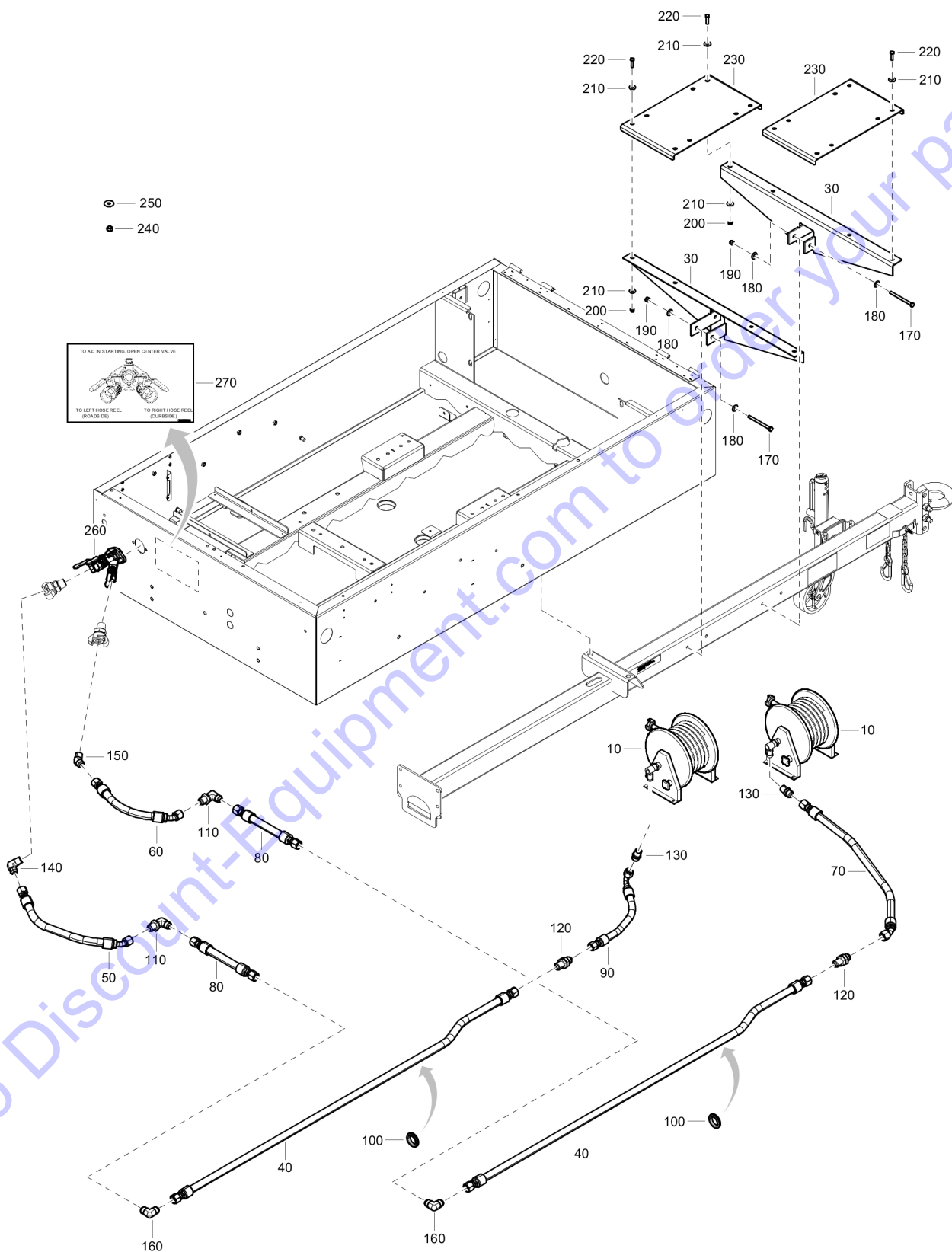
Go to Discount-Equipment.com to order your parts



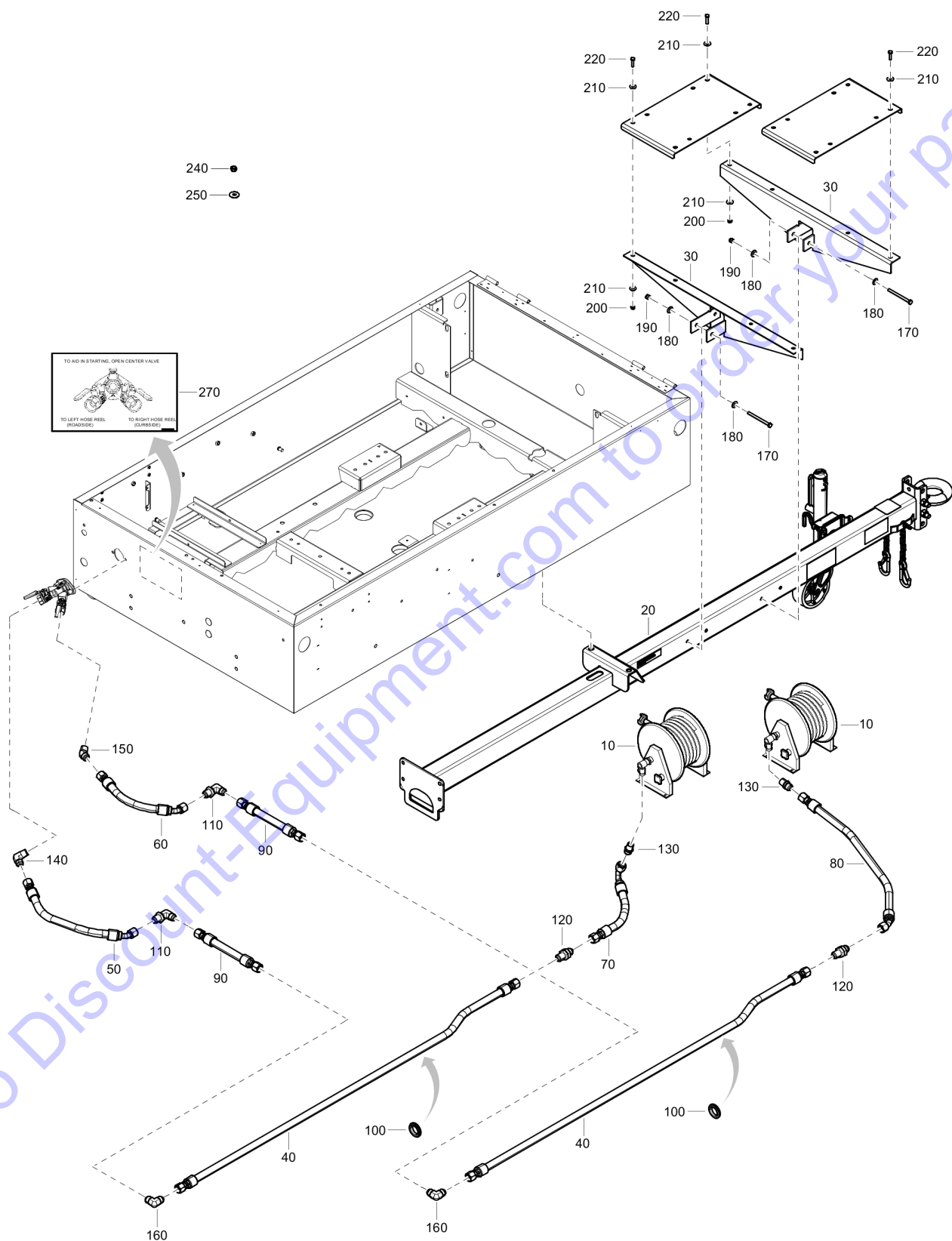
Id	Qty	Number	Name	Specifications
10	1	1310034441	HOSE REEL:6" WIDE,50 FT	
30	2	1310435200	BRACKET:SINGLE HOSE REEL	
40	1	1310024300	HOSE ASY:HOSE REEL	
50	1	1310024400	HOSE ASY:HOSE REEL	
60	1	1310024700	HOSE ASY:HOSE REEL	
70	1	1310024800	HOSE ASY:HOSE REEL	
80	1	1310073837	GROMMET:1-1/	
90	1	1310074470	ELBOW:BULKHEAD 90 12JIC M2M	
100	1	1310054500	FITTING:BHEAD JIC 3/4 X 3/4	
110	1	3176653900	NIPPLE	
120	1	3176657300	ELBOW:.75NPT X1.0625-12JIC	
130	1	1310054501	FITTING:ELBOW JIC 3/4 X 3/4	
140	4	1310030391	SCREW:.375-16 X 4.50+L	
150	8	1310030384	WASHER-FLAT:.375 USS \$STL	
160	4	1310030383	LOCKNUT:3/8" NYLOCK GRADE 5	
170	8	0292130500	LOCKNUT	
180	16	0300801900	WIDE FLAT WASHER 5/16"TX(TB)	
190	8	0144324903	SCREW: .312-18X1.25L HXHD,SAE	
200	1	1310435500	PLATE:ADATPER 50' HOSE REEL	
240	1	0263321500	NUT: 1-1/6UN FOR -12 JIC	
250	1	1310030978	WASHER-FLAT:27ID/50OD/4TH \$STL	



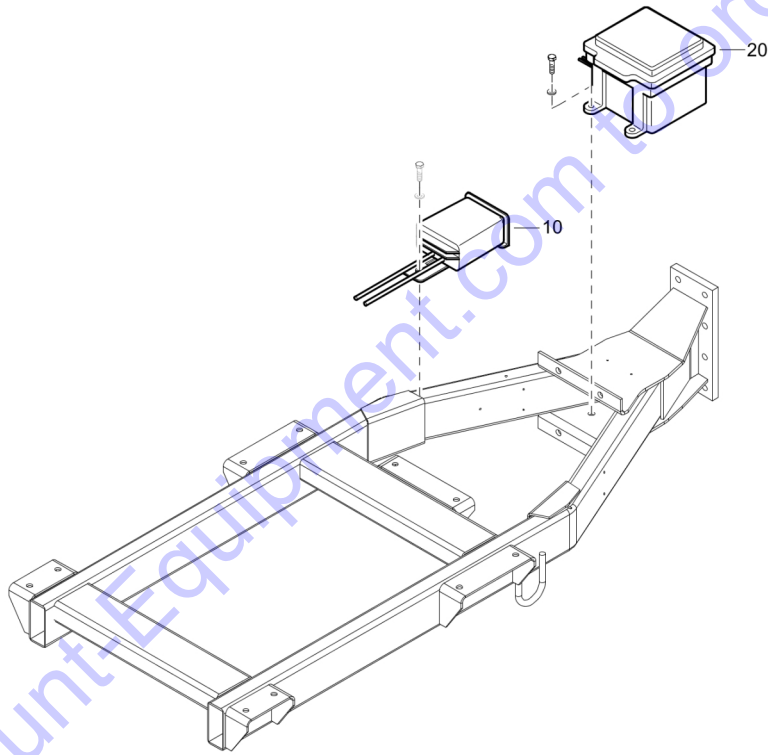
Id	Qty	Number	Name	Specifications
10	1	1310034149	HOSE REEL:12+ WIDE, 100FT	
20	1	1310550000	DRAWBAR:EXTENDED XAS/CPS 188	
30	2	1310435200	BRACKET:SINGLE HOSE REEL	
40	1	1310024300	HOSE ASY:HOSE REEL	
50	1	1310024400	HOSE ASY:HOSE REEL	
60	1	1310024700	HOSE ASY:HOSE REEL	
70	1	1310024800	HOSE ASY:HOSE REEL	
80	1	1310073837	GROMMET:1-1/	
90	1	1310074470	ELBOW:BULKHEAD 90 12JIC M2M	
100	1	1310054500	FITTING:BHEAD JIC 3/4 X 3/4	
110	1	3176653900	NIPPLE	
120	1	3176657300	ELBOW:.75NPT X1.0625-12JIC	
130	1	1310054501	FITTING:ELBOW JIC 3/4 X 3/4	
140	4	1310030391	SCREW:.375-16 X 4.50+L	
150	8	1310030384	WASHER-FLAT:.375 USS \$STL	
160	4	1310030383	LOCKNUT:3/8" NYLOCK GRADE 5	
170	4	0292130500	LOCKNUT	
180	8	0300801900	WIDE FLAT WASHER 5/16"TX(TB)	
190	4	0144324903	SCREW: .312-18X1.25L HXHD,SAE	
200	1	1310435500	PLATE:ADATPER 50' HOSE REEL	
240	1	0263321500	NUT: 1-1/6UN FOR -12 JIC	
250	1	1310030978	WASHER-FLAT:27ID/50OD/4TH \$STL	



Id	Qty	Number	Name	Specifications
10	2	1310034441	HOSE REEL:6" WIDE,50 FT	
20	1	1310550000	DRAWBAR:EXTENDED XAS/CPS 188	
30	2	1310435100	BRACKET:DUAL HOSE REEL	
40	2	1310024300	HOSE ASY:HOSE REEL	
50	1	1310024400	HOSE ASY:HOSE REEL	
60	1	1310024500	HOSE ASY:HOSE REEL	
70	1	1310024700	HOSE ASY:HOSE REEL	
80	2	1310024800	HOSE ASY:HOSE REEL	
90	1	1310024900	HOSE ASY:HOSE REEL	
100	2	1310073837	GROMMET:1-1/	
110	2	1310074470	ELBOW:BULKHEAD 90 12JIC M2M	
120	2	1310054500	FITTING:BHEAD JIC 3/4 X 3/4	
130	2	3176653900	NIPPLE	
140	1	3176657300	ELBOW:.75NPT X1.0625-12JIC	
150	1	1310030476	FITTING:ELBOW 45 DEGREE MALE	
160	2	1310054501	FITTING:ELBOW JIC 3/4 X 3/4	
170	4	1310030391	SCREW:.375-16 X 4.50+L	
180	8	1310030384	WASHER-FLAT:.375 USS \$STL	
190	4	1310030383	LOCKNUT:3/8" NYLOCK GRADE 5	
200	16	0292130500	LOCKNUT	
210	32	0300801900	WIDE FLAT WASHER 5/16"TX(TB)	
220	16	0144324903	SCREW: .312-18X1.25L HXHD,SAE	
230	2	1310435500	PLATE:ADATPER 50' HOSE REEL	
240	2	0263321500	NUT: 1-1/6UN FOR -12 JIC	
250	2	1310030978	WASHER-FLAT:27ID/50OD/4TH \$STL	
260	1	1626857391	TRIPLE BALL VALVE	
270	1	1316020111	LABEL:3-WAY VALVE HOSE REEL	

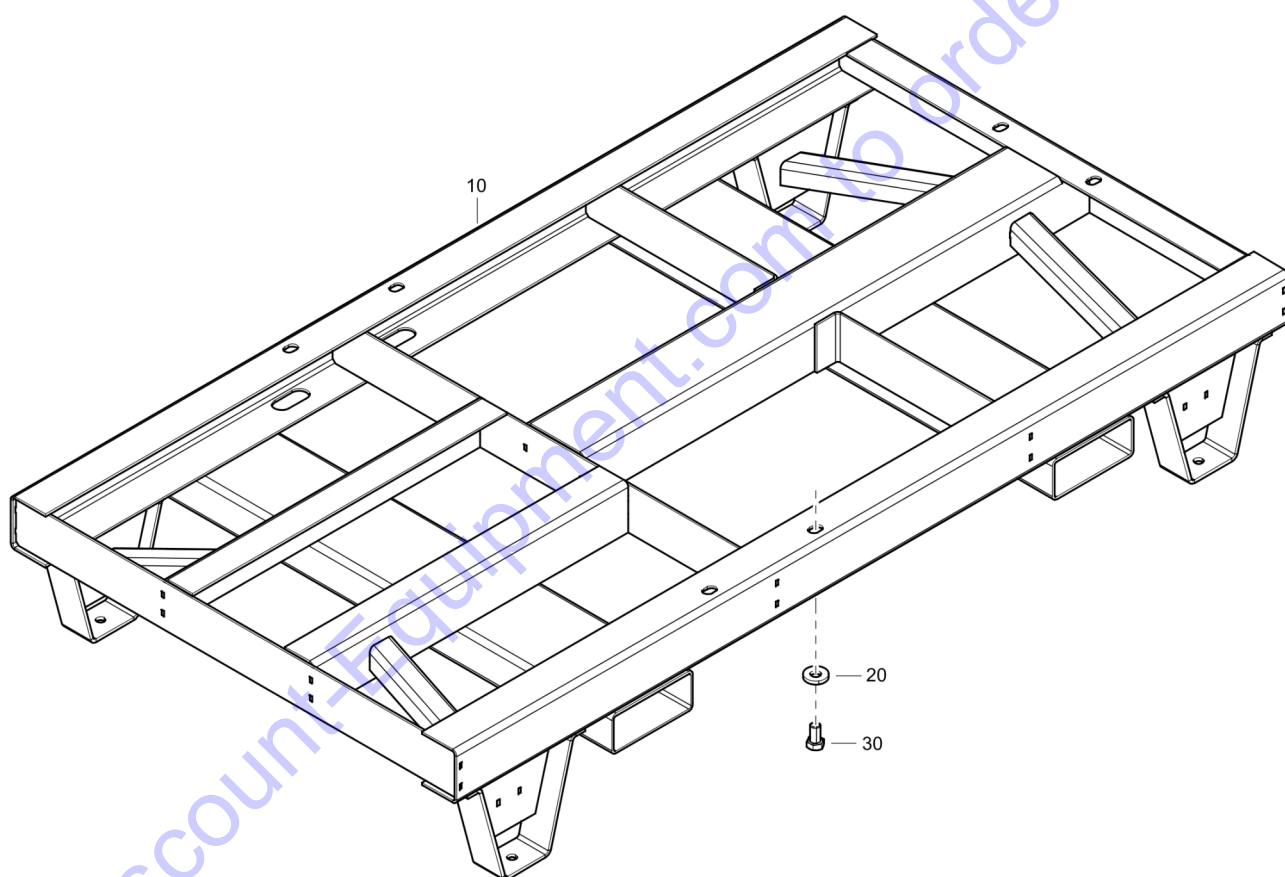


Id	Qty	Number	Name	Specifications
10	2	1310034149	HOSE REEL:12+ WIDE, 100FT	
20	1	1310550000	DRAWBAR:EXTENDED XAS/CPS 188	
30	2	1310435100	BRACKET:DUAL HOSE REEL	
40	2	1310024300	HOSE ASY:HOSE REEL	
50	1	1310024400	HOSE ASY:HOSE REEL	
60	1	1310024500	HOSE ASY:HOSE REEL	
70	1	1310024600	HOSE ASY:HOSE REEL	
80	1	1310024700	HOSE ASY:HOSE REEL	
90	2	1310024800	HOSE ASY:HOSE REEL	
100	2	1310073837	GROMMET:1-1/	
110	2	1310074470	ELBOW:BULKHEAD 90 12JIC M2M	
120	2	1310054500	FITTING:BHEAD JIC 3/4 X 3/4	
130	2	3176653900	NIPPLE	
140	1	3176657300	ELBOW:.75NPT X1.0625-12JIC	
150	1	1310030476	FITTING:ELBOW 45 DEGREE MALE	
160	2	1310054501	FITTING:ELBOW JIC 3/4 X 3/4	
170	4	1310030391	SCREW:.375-16 X 4.50+L	
180	8	1310030384	WASHER-FLAT:.375 USS \$STL	
190	4	1310030383	LOCKNUT:3/8" NYLOCK GRADE 5	
200	8	0292130500	LOCKNUT	
210	16	0300801900	WIDE FLAT WASHER 5/16"TX(TB)	
220	8	0144324903	SCREW: .312-18X1.25L HXHD,SAE	
240	2	0263321500	NUT: 1-1/6UN FOR -12 JIC	
250	2	1310030978	WASHER-FLAT:27ID/50OD/4TH \$STL	
260	1	1626857391	TRIPLE BALL VALVE	
270	1	1316020111	LABEL:3-WAY VALVE HOSE REEL	



Id	Qty	Number	Name	Specifications
10	1	1310820900	SWITCH:TRAILER BREAKAWAY	
20	1	1310821000	BATTERY:TRAILER,BREAKAWAY	

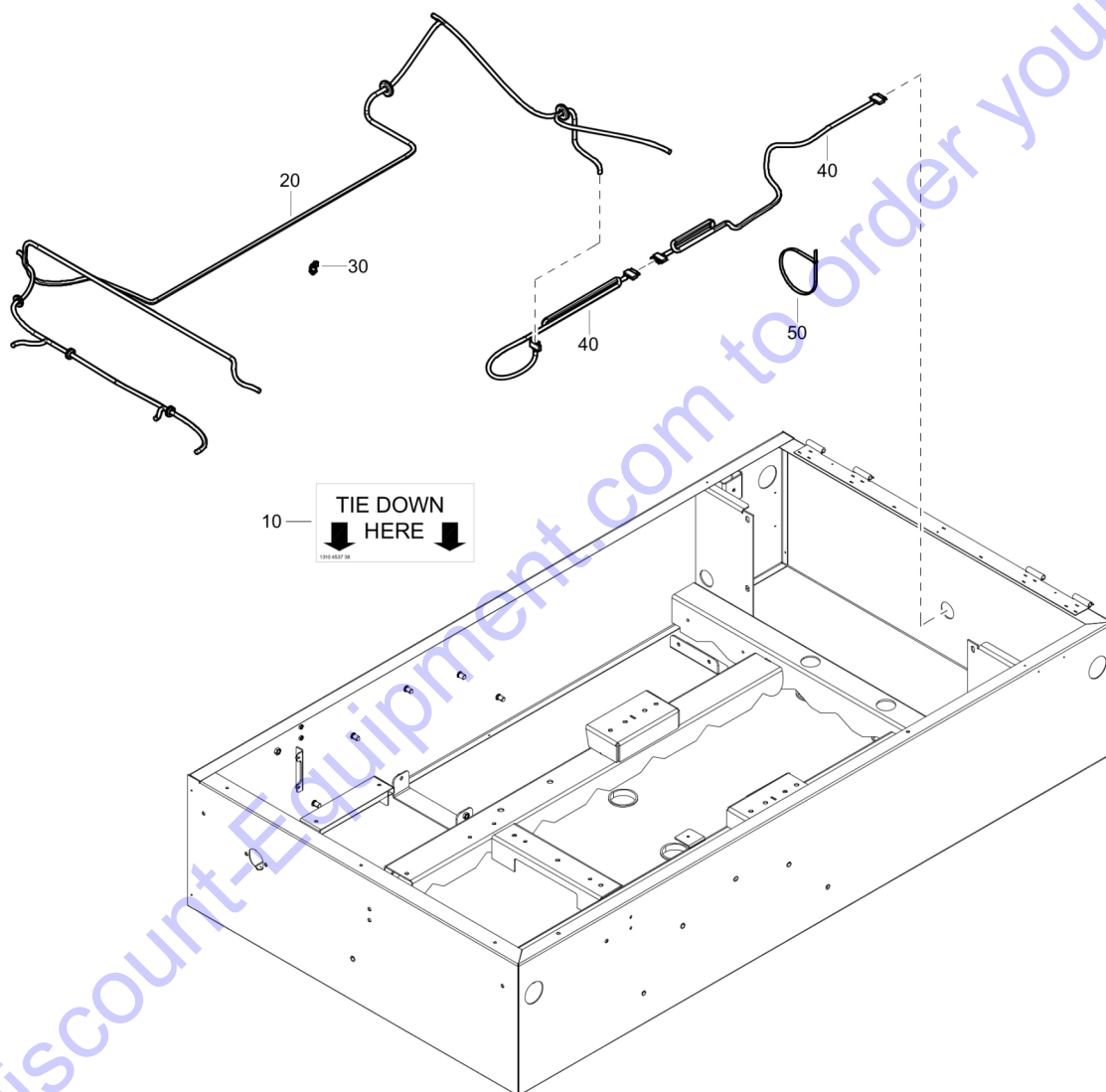
Go to Discount-Equipment.com to order your parts



Go to Discount-Equipment.com to order your parts

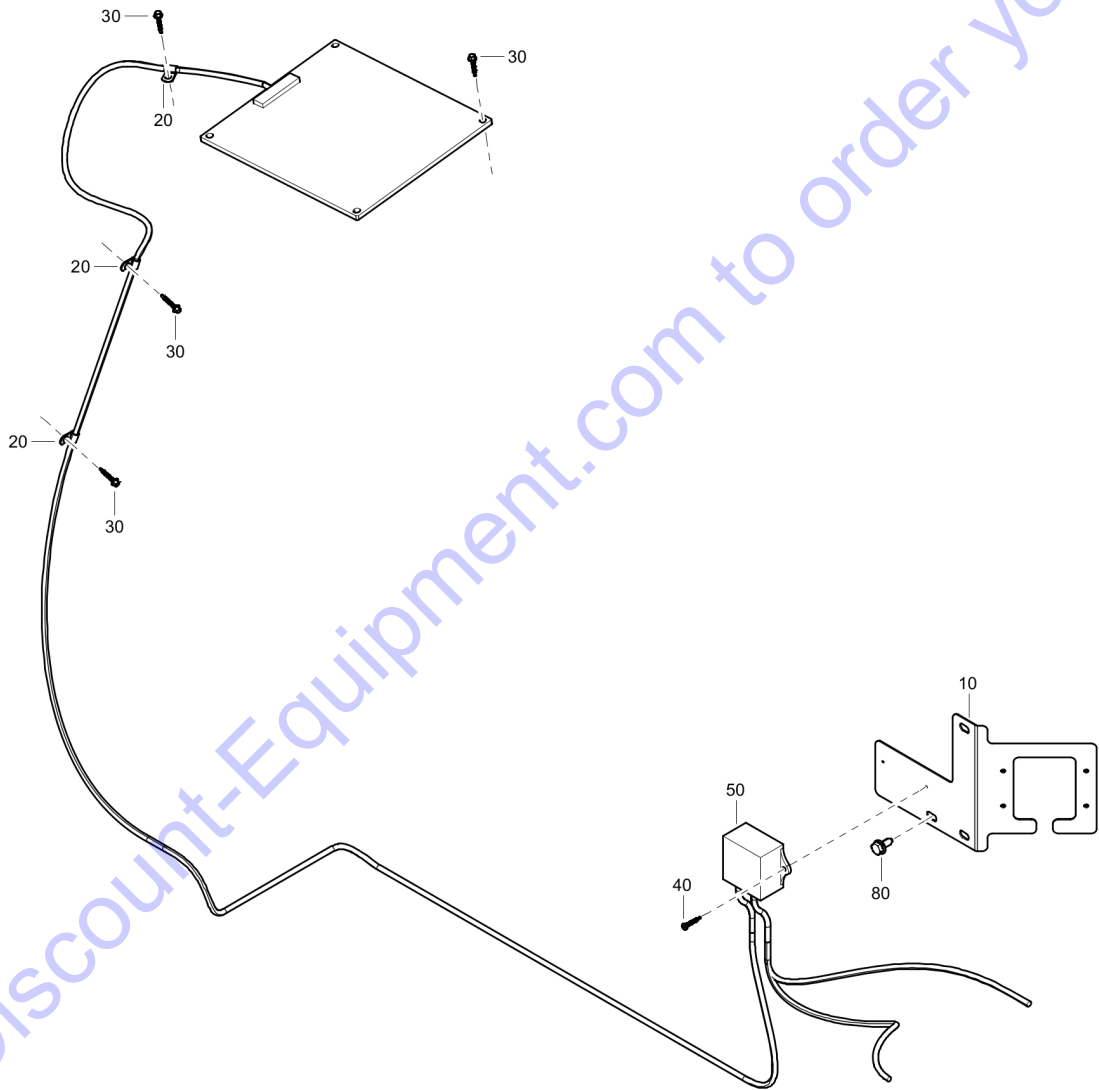
Id	Qty	Number	Name	Specifications
10	1	1316011200	SUPPORT MOUNT:S8	
20	6	0300027623	PLAIN WASHER	
30	6	0147147503	HEX. HEAD SCREW	

Go to Discount-Equipment.com to order your parts



Id	Qty	Number	Name	Specifications
10	1	1310453738	LABEL: TIE DOWN HERE XAS188 MB	
20	1	1316183701	HARNESS:ROADLIGHT CPS 185-100	
30	9	0348010212	CABLE TIE: WITH FIR TREE MOUNT	
40	2	1310030466	HARNESS-EXTENSION:XAS	
50	2	1310253601	CABLE TY:M375LX21W	

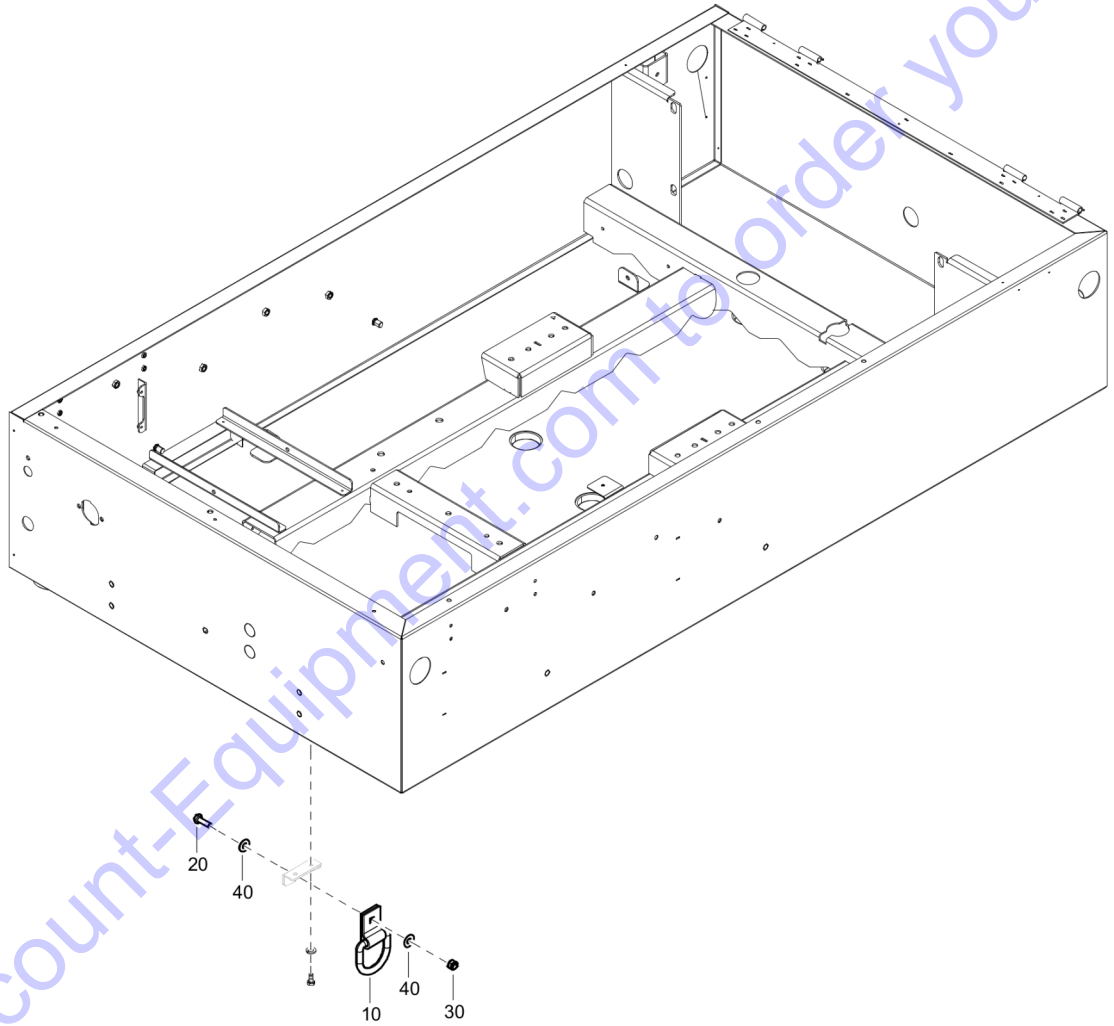
Go to Discount-Equipment.com to order your parts



Go to Discount-Equipment.com to order your parts

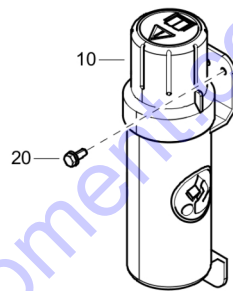
Id	Qty	Number	Name	Specifications
10	1	1316184400	Bracket:fuse box-solar charger	
20	3	1310034983	CLAMP:XAS 96JDU DOOR STAY	
30	7	1316010079	SCREW:DRILL,#8-18 X 1" HEX FZB	
40	2	1310076274	SCREW:#8 SELF DRILL TAP SH MTL	
50	1	1310076559	PANEL:SOLAR CHARGER, 7W	
80	1	1619276600	SCREW-SELF TAP:M 8X 20 HEX HD,	

Go to Discount-Equipment.com to order your parts



Id	Qty	Number	Name	Specifications
10	2	1310036987	D-ring	
20	2	0147136303	BOLT M10*30 FZB	
30	2	0291111100	M10 LOCKNUT	
40	4	1310030384	WASHER-FLAT:.375 USS \$STL	

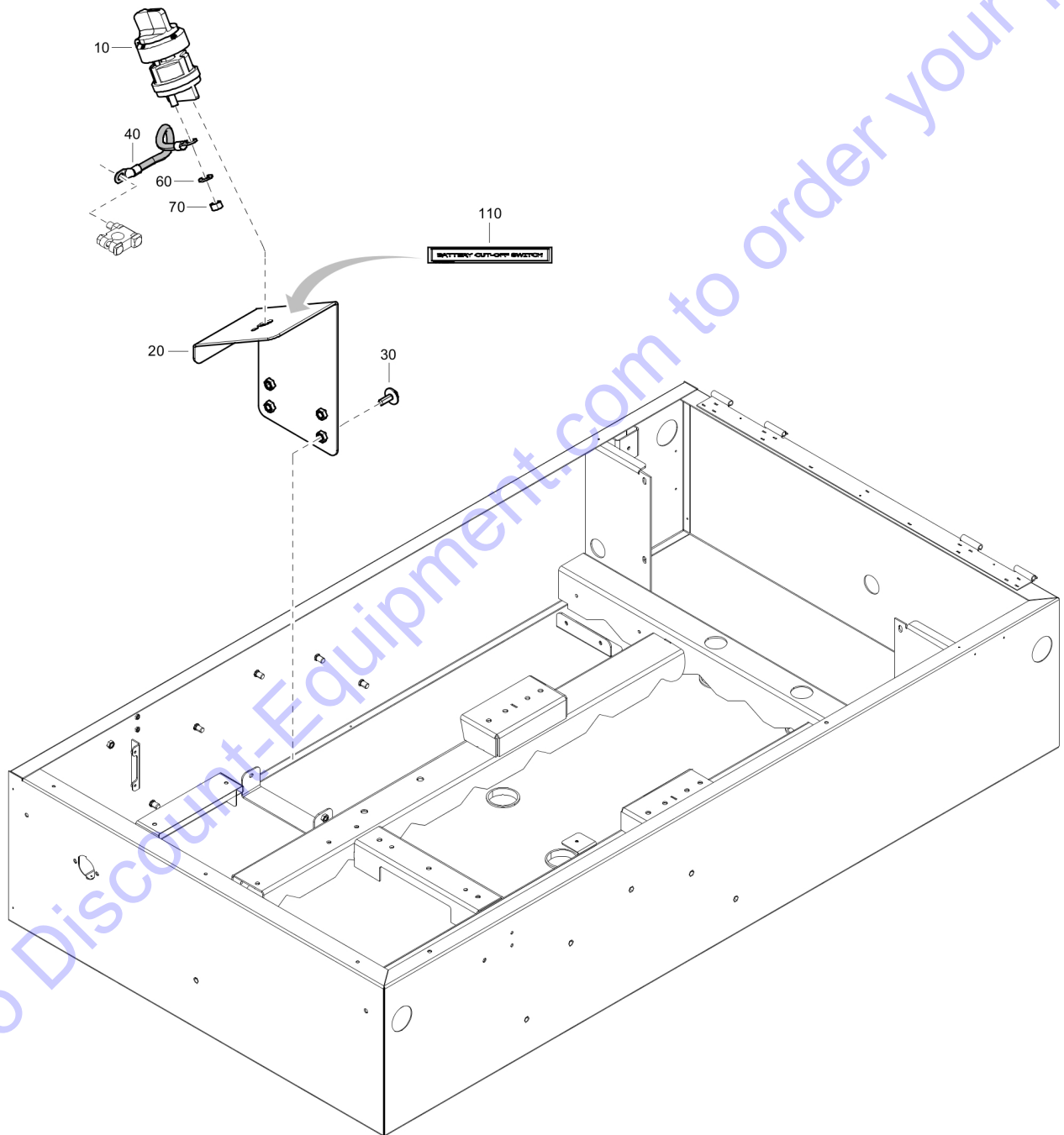
Go to Discount-Equipment.com to order your parts



Go to Discount-Equipment.com to order your parts

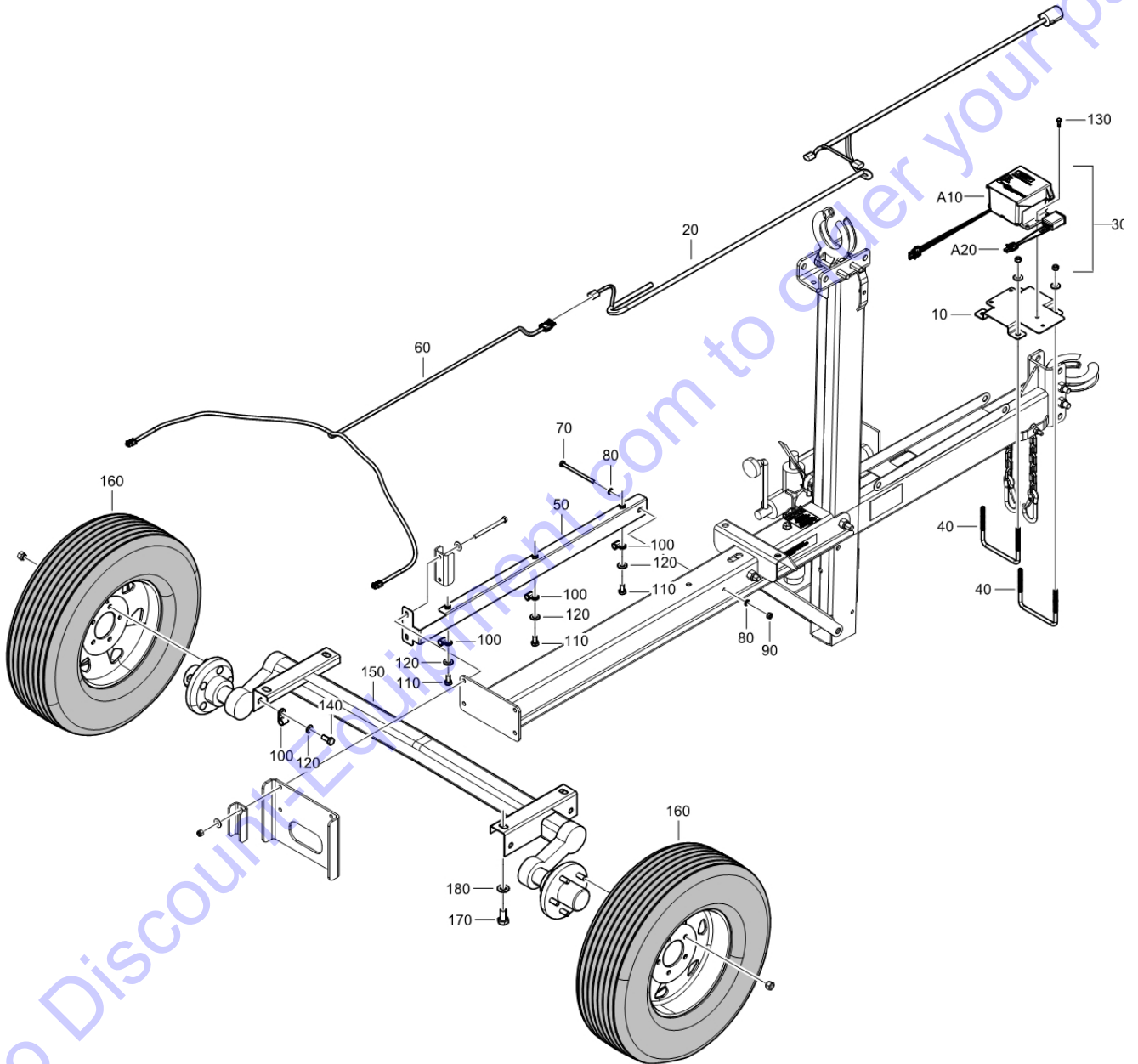
Id	Qty	Number	Name	Specifications
10	1	1310266515	CANISTER:MANUAL	
20	3	1619276600	SCREW-SELF TAP:M 8X 20 HEX HD,	

Go to Discount-Equipment.com to order your parts

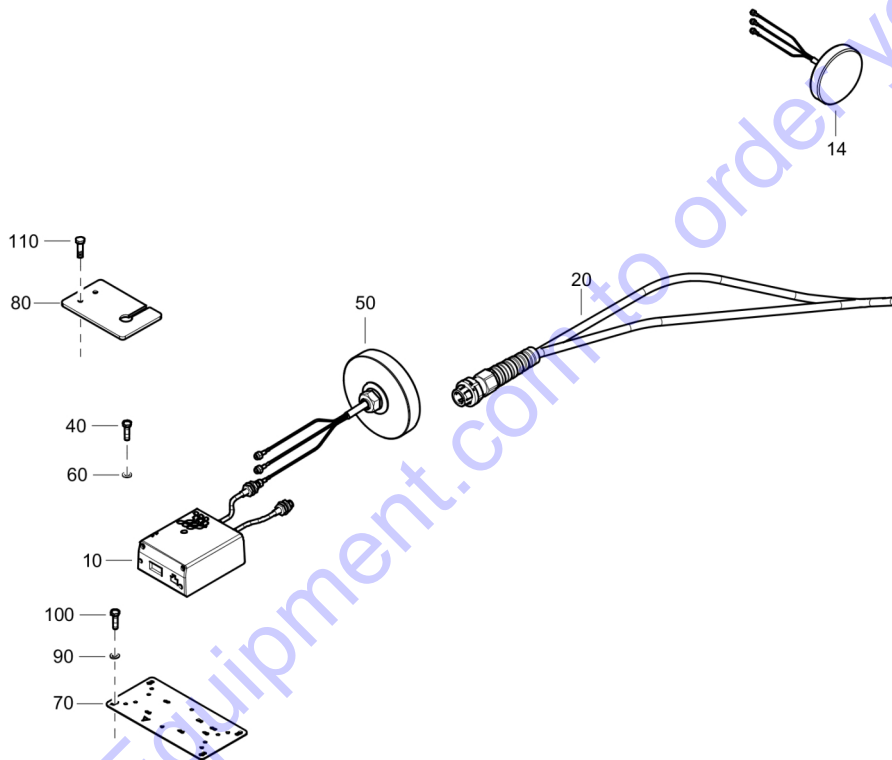


Id	Qty	Number	Name	Specifications
10	1	1310073654	BATTERY SWITCH	
20	1	1316011300	Bracket	
30	4	1615566400	HEX. HEAD SCREW	
40	1	1310717915	CABLE:NEG 2AWG 108+ M10-M10	
60	2	0301234400	Toothed washer	
70	2	0268320600	HEXAGON NUT	
110	1	1316011350	LABEL:BATT CUT-OFF SWITCH S8	

Go to Discount-Equipment.com to order your parts

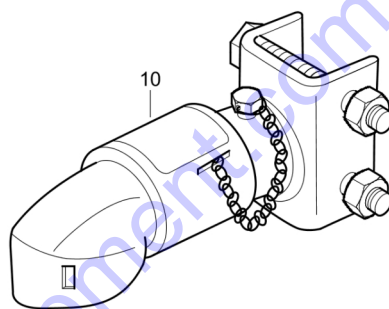


Id	Qty	Number	Name	Specifications
10	1	1316010910	Bracket: trailer breakaway	
20	1	1316010900	Wire harness ext:xas188 s8	
30	1	1310600218	KIT:TRAILER BREAKAWAY	
A10	1	1310821000	BATTERY:TRAILER,BREAKAWAY	
A20	1	1310820900	SWITCH:TRAILER BREAKAWAY	
40	2	1310218433	Sq u-bolt:5"wx4-13/16"tx3/8"th	
50	1	1316010911	Rhs support:eb/hb lines xas188	
60	1	1316010905	WIRE HARNESS:EB XAS 188 S8	
70	1	0147134303	HEX. HEAD SCREW	
80	4	0300801900	WIDE FLAT WASHER 5/16"TX(TB)	
90	3	0266211000	HEXAGON NUT M8	
100	7	1310036557	CLAMP:0.5" ID XM10,P-TYPE \$RBR	
110	3	0147132203	HEX. HEAD SCREW M8 X 16	
120	5	0300027666	WASHER:M8.40/16.0X1.5T BLACK	
130	4	0147124703	PARAF M6X20 DIN933 8.8 FZB	
140	2	0147132303	BOLT M8*20 FZB	
150	1	1310218415	AXLE ASY: 188 S8, 2 BRACKET EB	
160	2	1310074267	WHEEL-TIRE ASY:F78-15ST SILVER	
170	4	0147147403	HEX. BOLT M16X25X8.8	
180	4	0300027623	PLAIN WASHER	



Id	Qty	Number	Name	Specifications
10	1	1638886200	MODULE	
14	1	1638911500	ANTENNA	
20	1	1310228000	HARNESS:JUMPER FLEETLINK S8	
40	4	0147120703	HEX. HEAD SCREW	
50	1	1089959309	ANTENNA	
60	4	0301231800	WASHER D5*10	
70	1	1310978400	PLATE:TELEMATICS S8	
80	1	1310978420	BRACKET:SMARTBOX ANTENNA S8	
90	4	0301231800	WASHER D5*10	
100	4	0147120703	HEX. HEAD SCREW	
110	2	1316010079	SCREW:DRILL,#8-18 X 1" HEX FZB	

Go to Discount-Equipment.com to order your parts



Go to Discount-Equipment.com to order your parts

Id	Qty	Number	Name	Specifications
10	1	1310072216	Coupler	

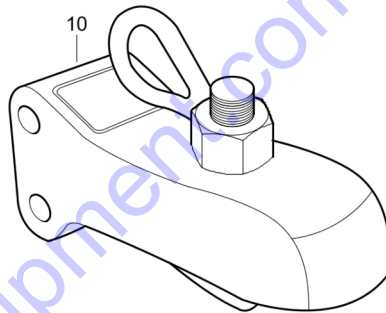
Go to Discount-Equipment.com to order your parts

Not Illustrated			
Ref	Part Number	Designation	Qty
10	1310265705	ELEMENT:SAFETY CARTRIDGE	2

Go to Discount-Equipment.com to order your parts

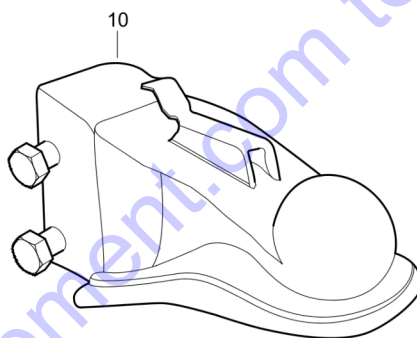
Id	Qty	Number	Name	Specifications
10	2	1310265705	ELEMENT:SAFETY CARTRIDGE	

Go to Discount-Equipment.com to order your parts



Id	Qty	Number	Name	Specifications
10	1	1310034211	COUPLER:1.88/2.00 IN. BALL	

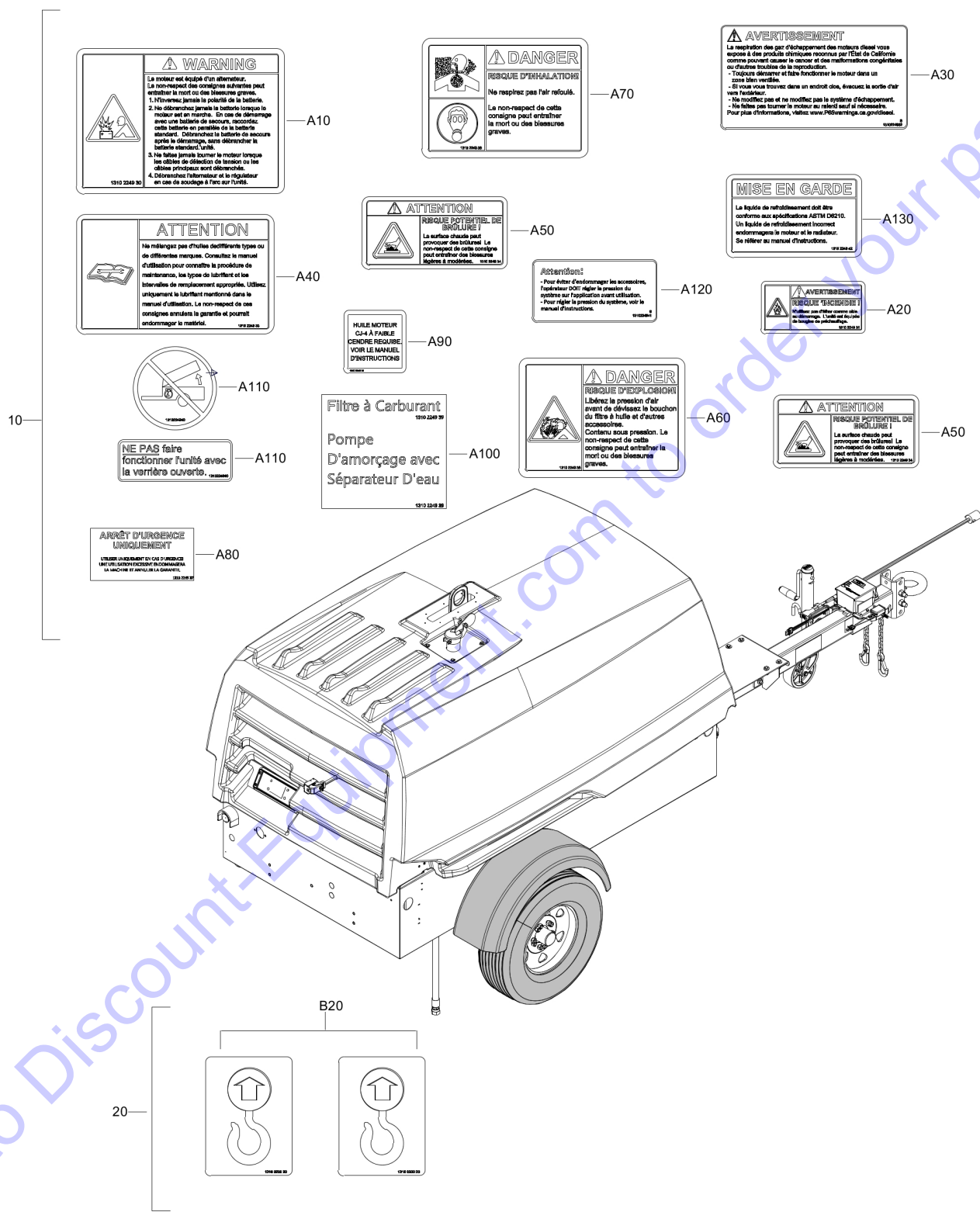
Go to Discount-Equipment.com to order your parts



Go to Discount-Equipment.com to order your parts

Id	Qty	Number	Name	Specifications
10	1	1310032964	Coupler towing	

Go to Discount-Equipment.com to order your parts



WARNING
 Le moteur est équipé d'un alternateur. Le non-respect des consignes suivantes peut entraîner la mort ou des blessures graves.
 1. N'évitez jamais la polarité de la batterie.
 2. Ne débranchez jamais la batterie lorsque le moteur est en marche. En cas de débranchage avec une batterie de secours, raccordez cette batterie en parallèle de la batterie standard. Débranchez la batterie de secours après le débranchage, sans débrancher la batterie standard.
 3. Ne faites jamais tourner le moteur lorsque les câbles de liaison de liaison ou les câbles précharge sont débranchés.
 4. Débranchez l'alternateur et le régulateur en cas de soudage à l'arc sur l'unité.
 1310 2249 30

DANGER
RISQUE D'INHALATION
 Ne respirez pas l'air refoulé.
 Le non-respect de cette consigne peut entraîner la mort ou des blessures graves.
 1310 2249 30

AVERTISSEMENT
 La séparation des gaz d'échappement des moteurs diesel vous expose à des produits chimiques reconnus par l'État de Californie comme pouvant causer le cancer et des malformations congénitales ou d'autres troubles de la reproduction.
 - Toujours débrancher et faire fonctionner le moteur dans un espace bien ventilé.
 - Si vous vous trouvez dans un endroit clos, évacuez le sortie d'air vers l'extérieur.
 - Ne modifiez pas et ne modifiez pas le système d'échappement.
 - Ne faites pas tourner le moteur au ralenti seul et inoccupé.
 Pour plus d'informations, visitez www.P66wtrng.ca/govinfo.
 1310 2249 30

ATTENTION
 Ne mélangez pas d'huiles différentes types ou de différentes marques. Consultez le manuel d'utilisation pour connaître la procédure de maintenance, les types de lubrifiant et les intervalles de remplacement appropriés. Utilisez uniquement le lubrifiant mentionné dans le manuel d'utilisation. Le non-respect de ces consignes annule la garantie et pourrait endommager le matériel.
 1310 2249 30

ATTENTION
RISQUE POTENTIEL DE BRULURE
 La surface chaude peut provoquer des brûlures. Le non-respect de cette consigne peut entraîner des blessures légères à modérées.
 1310 2249 30

MISE EN GARDE
 Le liquide de refroidissement doit être conforme aux spécifications ASTM D6210. Un liquide de refroidissement incorrect endommagera le moteur et le radiateur. Se référer au manuel d'instructions.
 1310 2249 30

Attention!
 - Pour éviter d'endommager les accessoires, l'opérateur DOIT régler la pression du système sur l'appareil avant utilisation.
 - Pour régler la pression du système, voir le manuel d'instructions.
 1310 2249 30

AVERTISSEMENT
RISQUE D'ÉCARTÈLEMENT
 Ne touchez pas les parties mobiles.
 1310 2249 30

HUILE MOTEUR
 CVA À FAIBLE CENDRE REQUIRE VOR LE MANUEL D'INSTRUCTIONS
 1310 2249 30

NE PAS faire fonctionner l'unité avec la verrière ouverte.
 1310 2249 30

Filtre à Carburant
Pompe D'amorçage avec Séparateur D'eau
 1310 2249 30

DANGER
RISQUE D'EXPLOSION
 Libérez la pression d'air avant de dévisser le bouchon du filtre à huile et d'autres accessoires. Contient sous pression. Le non-respect de cette consigne peut entraîner la mort ou des blessures graves.
 1310 2249 30

ATTENTION
RISQUE POTENTIEL DE BRULURE
 La surface chaude peut provoquer des brûlures. Le non-respect de cette consigne peut entraîner des blessures légères à modérées.
 1310 2249 30

ARRÊT D'URGENCE IMMÉDIAT
 L'ARRÊT IMMÉDIAT EN CAS D'URGENCE EST UN SYMPTÔME PRÉCAUTIONNEUX LA MACHINE ET ARRÊTEZ LA MACHINE.
 1310 2249 30

B20
 20
 1310 2249 30

Id	Qty	Number	Name	Specifications
10	1	1310224900	LABEL SHEET:UNIV S8 FRENCH	
20	1	1310224920	Label sheet:mb s8 french	

Go to Discount-Equipment.com to order your parts

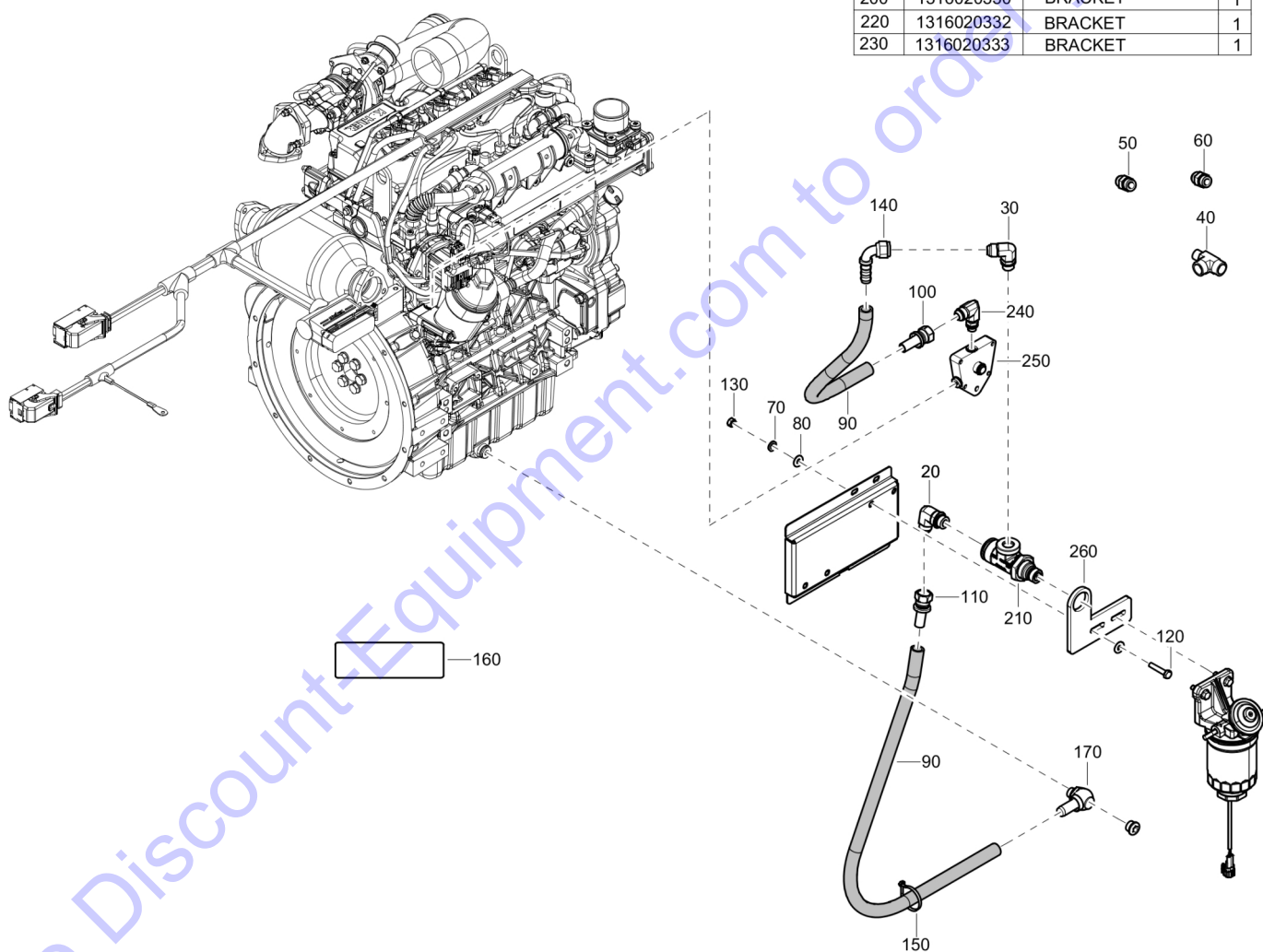
Not Illustrated			
Ref	Part Number	Designation	Qty
6	1310030059	VALVE-FLOW	1

Go to Discount-Equipment.com to order your parts

Id	Qty	Number	Name	Specifications
6	2	1310030059	VALVE-FLOW	

Go to Discount-Equipment.com to order your parts

Not illustrated			
Ref	Part Number	Designation	Qty
10	1316020311	ADAPTER ELBOW	1
180	1316020339	MBLT, M8-1.25 X 50	1
190	1316020329	BRACKET	1
200	1316020330	BRACKET	1
220	1316020332	BRACKET	1
230	1316020333	BRACKET	1



Id	Qty	Number	Name	Specifications
10	1	1316020311	Adapter elbow, swivel 90 10m	
20	1	1316020312	Adapter elbow, 90 10m stor -	
30	1	1316020313	Adapter elbow, 90 8m stor - 1	
40	1	1316020314	TEE, 8F NPT - 8F NPT - 8M NPT	
50	1	1316020315	Adapter, 8m stor - 10m jic	
60	1	1316020316	Adapter, 10m stor - 10m jic	
70	2	1316020317	Wshr, helical lock - 3/8"	
80	4	1316020318	Mwshr, flat - m8	
90	120	1316020319	Hose, push-on (barb), 5/8 id (
100	3	1316020320	Hose fitting, str #10 socketle	
110	1	1316020321	HOSE FITTING	
120	2	1316020322	Mbit, m8-1.25 x 40, h, s, 8.8,	
130	2	1316020324	Nut, m8-1.25, hx, st, g8, zn	
140	1	1316020325	Hose fitting, elb #10 socketle	
150	1	1316020326	Nylon cable ties- 3 ea 102037-	
160	1	1316020327	"quickfit on board" sticker	
170	1	1316020358	BANJO ASSEMBLY	
180	2	1316020339	Mbit, m8-1.25 x 50, h, s, 10.9	
190	1	1316020329	Bracket, 90 for 106403 forged	
200	1	1316020330	Bracket, flat for 106403 forge	
210	1	1316020331	Small qf valve; forged; 1/2" f	
220	1	1316020332	Bracket, flat tee for 106403 f	
230	1	1316020333	Bracket, 90 tee for 106403 fo	
240	1	1316020359	CHECK VALVE, ELBOW, 90 M14X1.	
250	1	1316020360	KOHLER KDI. TCR FILTER HEAD AD	
260	1	1316020334	BRACKET, EXTRA LONG, 90 "L"	

Part no	Part no	Part no	Part no	Part no	Part no
	1310266528		1310266529		1310266529
	1310266529		1310266529		1310266529
	1310266529		1310266529		1310266528
	1310266528		1310266528		1310266528
	1310266528		1310266528		1310266528
	1310266529		1310266529		
	Maintenancepart		Maintenancepart		Maintenancepart
	Maintenancepart		Engineoil		Engineoil
0070600205	1317000309	0070600248	1317000309	0075402569	1317000275
0101195140	1317000307	0144324603	1317000307	0144324903	1310924487
0144324903	1310924485	0144324903	1310924488	0144324903	1310924486
0147120703	1310978505_01W	0147120703	1317000955	0147120703	1310978500
0147120703	1317000311	0147120703	1310978500	0147121403	1317000308
0147124403	1317000279	0147124403	1317000955	0147124403	1317000307
0147124403	1317000311	0147124603	1317000285	0147124603	1317000829
0147124703	1317000829	0147124703	1317000285	0147124703	1317000339
0147124703	1317000069	0147124903	1317000284	0147132203	1317000069
0147132203	1317000337	0147132203	1317000805	0147132303	1317000069
0147132503	1317000339	0147132603	1317000308	0147132603	1317000284
0147132803	1317000309	0147134303	1317000069	0147136203	1317000339
0147136203	1317000286	0147136303	1317000179	0147136315	1317000829
0147136315	1317000285	0147136403	1317000306	0147136803	1317000307
0147140203	1317000306	0147140303	1317000306	0147140303	1317000317
0147147403	1317000069	0147147503	1317000066	0147195874	1317000955
0147195874	1317000311	0160099696	1317000289	0211117303	1317000500
0211125603	1317000279	0211132303	1317000307	0211132503	1310924220
0211133303	1310924220	0211133700	1310924220	0211136303	1310924220
0211136403	1317000307	0211140800	1317000307	0211585513	1317000307
0215000377	1317000308	0263321500	1310924486	0263321500	1310924487
0263321500	1310924488	0263321500	1310924485	0266211000	1317000284
0266211000	1317000069	0266211100	1317000339	0268320600	1317000065
0291110700	1317000308	0291111100	1317000179	0292130500	1310924487
0292130500	1310924485	0292130500	1310924486	0292130500	1317000311
0292130500	1310924488	0292130500	1317000955	0300027464	1317000284
0300027464	1317000285	0300027464	1317000829	0300027623	1317000066
0300027623	1317000069	0300027666	1317000069	0300027666	1317000339
0300027666	1317000284	0300027666	1317000308	0300801900	1310924485
0300801900	1310924487	0300801900	1317000337	0300801900	1317000069
0300801900	1317000805	0300801900	1310924486	0300801900	1310924488
0301231800	1317000311	0301231800	1310978500	0301231800	1317000955
0301231800	1317000308	0301231800	1310978505_01W	0301231800	1310978500
0301232100	1317000339	0301232100	1317000955	0301232100	1317000279
0301232100	1317000311	0301233500	1310924220	0301233500	1317000286
0301233500	1317000309	0301234400	1317000306	0301234400	1317000284
0301234400	1317000339	0301234400	1317000065	0301234400	1310924220
0301235800	1317000829	0301235800	1317000317	0301235800	1317000285
0301235800	1317000306	0333222500	1317000339	0333222500	1310924220
0333223800	1317000306	0333322700	1317000307	0335216200	1317000307
0337606200	1317000307	0347612100	1317000286	0347613100	1317000286
0348010212	1317000339	0348010212	1317000500	0348010212	1317000488
0348010212	1317000308	0504020013	Compressorparts	0504020013	1317000307
0581000052	1317000309	0653106200	1310924220	0653106200	1317000279
0653110000	1317000309	0653110000	1317000307	0661100025	1317000309
0661100029	1310924220	0661100038	1317000309	0663210778	1310924220
0663211620	1317000307	0663311800	1317000307	0663312900	1310924220
0663313000	1310924220	0663713500	1310924220	0663713700	1310924220
0663715000	1317000286	0686371601	1317000279	0686371601	1310924220
0686371630	1317000309	0686371630	1317000307	1088001901	1310924220
1088001903	1317000339	1089057470	Compressorparts	1089057470	1317000339
1089959309	1310978500	1310024300	1310924486	1310024300	1310924488
1310024300	1310924485	1310024300	1310924487	1310024400	1310924486
1310024400	1310924485	1310024400	1310924488	1310024400	1310924487
1310024500	1310924485	1310024500	1310924486	1310024600	1310924485
1310024700	1310924488	1310024700	1310924485	1310024700	1310924487

Part no	Part no	Part no	Part no	Part no	Part no
1310024700	1310924486	1310024800	1310924486	1310024800	1310924485
1310024800	1310924488	1310024800	1310924487	1310024900	1310924486
1310030059	1310050121	1310030247	1317000500	1310030265	1310924220
1310030293	1317000500	1310030383	1310924487	1310030383	1310924486
1310030383	1310924485	1310030383	1310924488	1310030384	1310924485
1310030384	1310924486	1310030384	1317000179	1310030384	1310924488
1310030384	1310924487	1310030391	1310924487	1310030391	1310924488
1310030391	1310924486	1310030391	1310924485	1310030466	1317000500
1310030466	1317000488	1310030475	1317000309	1310030476	1310924486
1310030476	1310924485	1310030866	1317000308	1310030894	1317000286
1310030978	1310924487	1310030978	1310924488	1310030978	1310924486
1310030978	1310924485	1310031166	1317000339	1310031198	1317000279
1310031198	1317000308	1310032384	1317000275	1310032384	1317000279
1310032778	1317000311	1310032778	1317000955	1310032964	1310312358
1310034149	1310924485	1310034149	1310924487	1310034211	1310312359
1310034283	1317000279	1310034289	1317000285	1310034289	1317000829
1310034441	1310924486	1310034441	1310924488	1310034579	1317000309
1310034983	1317000370	1310035202	1317000286	1310035595	1317000279
1310036169	1317000210	1310036169	1310300381	1310036557	1317000308
1310036557	1317000069	1310036971	1317000500	1310036987	1317000179
1310036995	1317000955	1310036995	1317000311	1310054500	1310924488
1310054500	1310924485	1310054500	1310924487	1310054500	1310924486
1310054501	1310924486	1310054501	1310924487	1310054501	1310924488
1310054501	1310924485	1310072216	1310312005	1310072256	1317000309
1310073086	1317000829	1310073086	1317000285	1310073654	1317000065
1310073837	1310924488	1310073837	1310924487	1310073837	1310924485
1310073837	1310924486	1310073863	1317000284	1310074084	1317000309
1310074140	1317000339	1310074142	1317000339	1310074267	1317000069
1310074470	1310924487	1310074470	1310924486	1310074470	1310924488
1310074470	1310924485	1310075619	1317000279	1310075622	1317000279
1310075818	1317000306	1310075839	1317000306	1310076274	1317000370
1310076470	1317000311	1310076470	1317000955	1310076559	1317000370
1310076560	1317000275	1310217603	1317000311	1310218201	1317000286
1310218415	1317000069	1310218433	1317000069	1310218600	1317000286
1310220020	1317000337	1310220280	1310924220	1310221501	1317000311
1310221501	1317000955	1310221801	1310924220	1310222500	1317000284
1310222931	1317000285	1310222951	1317000285	1310223602	1317000311
1310223602	1317000955	1310223700	1317000279	1310224900	1317000155
1310224920	1317000155	1310228000	1310978500	1310228000	1310978505_01W
1310228612	1317000317	1310253601	1317000488	1310253601	1317000286
1310253601	1317000279	1310253601	1317000500	1310253601	1317000309
1310265683	1317000279	1310265699	1317000279	1310265699	1317000308
1310265705	1317000903	1310266305	1317000309	1310266515	1310299727
1310266528	Maintenancepart	1310266529	Maintenancepart	1310334000	1317000311
1310334000	1317000955	1310414200	1317000500	1310414300	1317000500
1310415500	1317000500	1310435100	1310924485	1310435100	1310924486
1310435200	1310924488	1310435200	1310924487	1310435500	1310924487
1310435500	1310924488	1310435500	1310924486	1310453730	1310453704
1310453734	1310453704	1310453736	1310453704	1310453738	1317000341
1310453738	1317000802	1310453738	1317000488	1310489100	1317000341
1310489100	1317000802	1310550000	1310924485	1310550000	1310924486
1310550000	1310924487	1310600218	1317000069	1310600560	1317000339
1310600562	1317000339	1310600563	1317000339	1310600618	1310453704
1310717810	1317000339	1310717910	1317000339	1310717915	1317000065
1310796196	1317000554	1310820900	1310600218	1310820900	1317000069
1310821000	1310600218	1310821000	1317000069	1310924020	1317000307
1310924378	1317000308	1310929801	1317000279	1310974200	1317000307
1310974502	1317000955	1310974502	1317000311	1310974710	1317000210
1310974750	1317000311	1310974750	1317000955	1310974801	1310924220
1310978400	1310978505_01W	1310978400	1310978500	1310978420	1310978500
1310978420	1310978505_01W	1316010002	1317000829	1316010002	1317000285
1316010079	1317000311	1316010079	1317000955	1316010079	1310978500
1316010079	1317000370	1316010079	1310978505_01W	1316010080	1317000339
1316010215	1317000309	1316010219	1317000309	1316010219	Compressorparts

Part no	Part no	Part no	Part no	Part no	Part no
1316010302	1317000279	1316010308	1317000339	1316010809	1317000339
1316010900	1317000069	1316010905	1317000069	1316010910	1317000069
1316010911	1317000069	1316011200	1317000066	1316011300	1317000065
1316011350	1317000065	1316011912	1317000307	1316012900	1317000307
1316020016	1317000341	1316020016	1317000802	1316020020	1310453704
1316020021	1310453704	1316020024	1310453704	1316020026	1310453704
1316020029	1310453704	1316020031	1310453704	1316020052	1310453704
1316020111	1310924486	1316020111	1310924485	1316020112	1317000275
1316020114	1317000275	1316020116	1317000341	1316020116	1317000802
1316020117	1317000341	1316020214	1317000554	1316020309	1317000341
1316020311	1316010370	1316020312	1316010370	1316020313	1316010370
1316020314	1316010370	1316020315	1316010370	1316020316	1316010370
1316020317	1316010370	1316020318	1316010370	1316020319	1316010370
1316020320	1316010370	1316020321	1316010370	1316020322	1316010370
1316020324	1316010370	1316020325	1316010370	1316020326	1316010370
1316020327	1316010370	1316020329	1316010370	1316020330	1316010370
1316020331	1316010370	1316020332	1316010370	1316020333	1316010370
1316020334	1316010370	1316020339	1316010370	1316020358	1316010370
1316020359	1316010370	1316020360	1316010370	1316020457	1317000802
1316021285	1317000339	1316021286	1317000339	1316021287	1317000339
1316021732	1310076560	1316021800	1317000802	1316021800	1317000341
1316116220	1317000805	1316155401	1317000339	1316170180	1317000308
1316170300	1317000279	1316170400	1317000279	1316170500	1317000279
1316170601	1317000279	1316170700	1316170780	1316170780	1317000279
1316170800	1317000279	1316170904	1317000284	1316170951	1317000284
1316171000	1317000829	1316171000	1317000285	1316171100	1317000285
1316171100	1317000829	1316171401	1317000805	1316171405	1317000337
1316171501	1317000285	1316171502	1317000829	1316171700	1317000289
1316171800	1317000289	1316171900	1317000284	1316172001	1317000284
1316172100	1317000284	1316172300	1317000286	1316172400	1317000955
1316172400	1317000311	1316172401	1317000955	1316172401	1317000311
1316172500	1317000339	1316172600	1317000306	1316172700	1317000306
1316172800	1317000308	1316172850	1317000308	1316172901	1316172981
1316172970	1316172981	1316172981	1317000308	1316173100	1316173180
1316173100	1317000337	1316173100	1316173181	1316173181	1317000805
1316173200	1317000279	1316173300	1317000279	1316173400	1317000311
1316173400	1317000955	1316173500	1317000317	1316174604	1317000279
1316183701	1317000488	1316183701	1317000500	1316184300	1317000339
1316184400	1317000370	1316202902	1317000284	1316212300	1317000829
1316227700	1317000317	1316233500	1317000829	1316276700	1317000339
1604028700	1317000307	1604186900	1317000311	1604186900	1317000337
1604186900	1317000955	1604627500	1317000955	1604627500	Compressorparts
1604627500	1317000311	1604627600	Compressorparts	1604627600	1317000955
1604627600	1317000311	1605002501	1317000955	1605002501	1317000311
1607852288	Compressorparts	1607852288	1317000339	1607852293	Compressorparts
1607852293	1317000339	1614611800	1317000285	1614611800	1317000829
1615508000	1310924220	1615566400	1317000279	1615566400	1317000955
1615566400	1317000311	1615566400	1317000337	1615566400	1317000065
1615566400	1317000805	1615566400	1317000284	1616461401	1317000308
1616461501	1317000308	1616510800	1310220280	1616510800	Compressorparts
1616562500	1317000307	1616562580	Compressorparts	1616757591	1616757581
1616757591	1317000307	1619276600	1310924220	1619276600	1317000955
1619276600	1317000289	1619276600	1317000284	1619276600	1317000311
1619276600	1317000370	1619276600	1317000308	1619276600	1310299727
1619276600	1317000829	1619276600	1317000285	1619377000	1317000285
1619377000	1317000829	1619589801	1317000289	1622272820	1317000829
1622272820	1317000285	1622706405	Compressorparts	1622706405	1317000829
1622706405	1317000285	1626226000	Compressor	1626226100	Compressor
1626277701	1317000309	1626823701	1310924220	1626823800	1310924220
1626857391	1310924486	1626857391	1310924220	1626857391	1310924485
1630013411	Coolant	1630013416	Coolant	1630024900	Compressor
1631006000	1310924220	1638184300	1310924220	1638214300	1317000307
1638214600	1317000307	1638214700	1317000307	1638214900	1317000307
1638225300	1317000307	1638250900	1317000307	1638552880	1317000286

Part no	Part no	Part no	Part no	Part no	Part no
1638605402	1317000289	1638666810	1317000289	1638886200	1310978505_01W
1638886200	1310978500	1638911500	1310978500	3176653900	1310924485
3176653900	1310924486	3176653900	1310924487	3176653900	1310924488
3176657300	1310924485	3176657300	1310924486	3176657300	1310924487
3176657300	1310924488	4810060529	Engineparts	4810060598	1310076560
4810060598	Engineparts	4810060601	1310076560	4810060601	Engineparts
4810060602	Engineparts	4810060602	1310076560	4810060608	1310076560
4810060611	1310076560	4810060613	1310076560	4810060622	Engineparts
4810060622	1310076560	4810060624	Engineparts	4810060624	1310076560
4810060625	Engineparts	4810060625	1310076560	4810060627	Engineparts
4810060627	1310076560	4810060634	Engineparts	4810060634	1310076560
4810060637	Engineparts	4810060637	1310076560	4810060642	Engineparts
4810060642	1310076560	4810060648	Engineparts	4810060648	1310076560
4810060658	1310076560	4810060658	Engineparts	4810060659	1310076560
4810060659	Engineparts	4810060660	1310076560	4810060660	Engineparts
4810060662	1310076560	4810060662	Engineparts	4810060668	1310076560
4810060672	1310076560	4810060672	Engineparts	6221372550	1310923641

Go to Discount-Equipment.com to order your parts



www.discount-equipment.com

PARTS FINDER

**Search Website
by Part Number**



**Search Manual
Library For Parts
Manual & Lookup Part
Numbers – Purchase
or Request Quote**

Search Manuals

Enter your information to help us find the right parts manual for your machine.

* Brand:

* Model:

* Serial:

* Part Number:

SEARCH

**Can't Find Part or
Manual? Request Help
by Manufacturer,
Model & Description**

Parts Order Form

Please fill in the following information to help us find the right part for your machine.

MANUFACTURER:

MODEL:

DESCRIPTION:

DATE:

TIME:

PHONE:

EMAIL:

ADDRESS:

CITY:

STATE:

ZIP:

COUNTRY:

SEARCH

Discount-Equipment.com is your online resource for quality parts & equipment.

Florida: **561-964-4949** Outside Florida TOLL FREE: **877-690-3101**

Need parts?

Click on this link: <http://www.discount-equipment.com/category/5443-parts/> and choose one of the options to help get the right parts and equipment you are looking for. Please have the machine model and serial number available in order to help us get you the correct parts. If you don't find the part on the website or on one of the online manuals, please fill out the request form and one of our experienced staff members will get back to you with a quote for the right part that your machine needs.

We sell worldwide for the brands: Genie, Terex, JLG, MultiQuip, Mikasa, Essick, Whiteman, Mayco, Toro Stone, Diamond Products, Generac Magnum, Airman, Haulotte, Barreto, Power Blanket, Nifty Lift, Atlas Copco, Chicago Pneumatic, Allmand, Miller Curber, Skyjack, Lull, Skytrak, Tsurumi, Husquvarna Target, Stow, Wacker, Sakai, Mi-T-M, Sullair, Basic, Dynapac, MBW, Weber, Bartell, Bennar Newman, Haulotte, Ditch Runner, Menegotti, Morrison, Contec, Buddy, Crown, Edco, Wyco, Bomag, Laymor, EZ Trench, Bil-Jax, F.S. Curtis, Gehl Pavers, Heli, Honda, ICS/PowerGrit, IHI, Partner, Imer, Clipper, MMD, Koshin, Rice, CH&E, General Equipment, Amida, Coleman, NAC, Gradall, Square Shooter, Kent, Stanley, Tamco, Toku, Hatz, Kohler, Robin, Wisconsin, Northrock, Oztec, Toker TK, Rol-Air, APT, Wylie, Ingersoll Rand / Doosan, Innovatech, Con X, Ammann, Mecalac, Makinex, Smith Surface Prep, Small Line, Wanco, Yanmar