



**Discount  
Equipment**

[www.discount-equipment.com](http://www.discount-equipment.com)

Filter	2950899302,APP 878560 -
Identity	2950899302
Specifications	Product number: 8162010131, Division: Portable Air, Product group: Diesel Driven Compressors, Product type: Small Air, Product: CPS 175-100 US DOT CS TB BFT , Product Company: Antwerp

KITS AND CONSUMABLES	2950899300
SERVICE KIT 500 HOURS	2912501500
SERVICE KIT 1000 HOURS	2912501600
COMPRESSOR OIL	Compressor_oil_Genoil
ENGINE OIL	Engine_oil_Genoil
COOLANT	Coolant_Gencool
Frame and mounts	1611701828
FRAME	1638847082
Lifting Beam	1638522282
Backplate cover	1611702433
COMPRESSOR DRIVE	1611701439
Gearset	1611701418
Air inlet	1611702201
Air outlet general US	1611731531
Air outlet no QAE PRS	1611701736
Air outlet common PRS	1611701571
Discharge	1611701570
Restrictor	1611701316
Vessel air_W	1611720331_03W
VESSEL AIR ASSY	1638213580
CC OIL SYSTEM	1611702414
PLUG	1638915180
Thermostatic valve package	1611701932
Oil hoses thermostatic valve	1611702055
Regulating system	1611701576
HOUSING VALVE	1638606780
BODYWORK	1611701829
HOOD	1638846581
BAFFLE	1638186182
ROADS DOT	1611702181
LIGHT	1638296380
UNDERCARRIAGE FIXED TOWBAR UNBRAKED DOT	1611745531
Adjustable unbraked Protempo service parts	2914900067
Fixed towbar unbraked	2914900062
Wheel chocks	1611869012
Pintle eye list_W	1611734931
SUPPORT LEG US MARKET	1611734831
OILS CS	1611702464
Markings	1611701578
Markings	1611701830
Markings	1611702180
ENGINE AND ACCESSORIE	1611701424
FUEL SYSTEM	1611701440
FUEL TANK	1611701403_03
TANK FUEL	1638116483
COOLER AND FAN	1611701438
COOLER	1638606481
ELECTRICAL SYSTEM	1611701579
Yellow battery package	1611701766
Wheels	1611742831



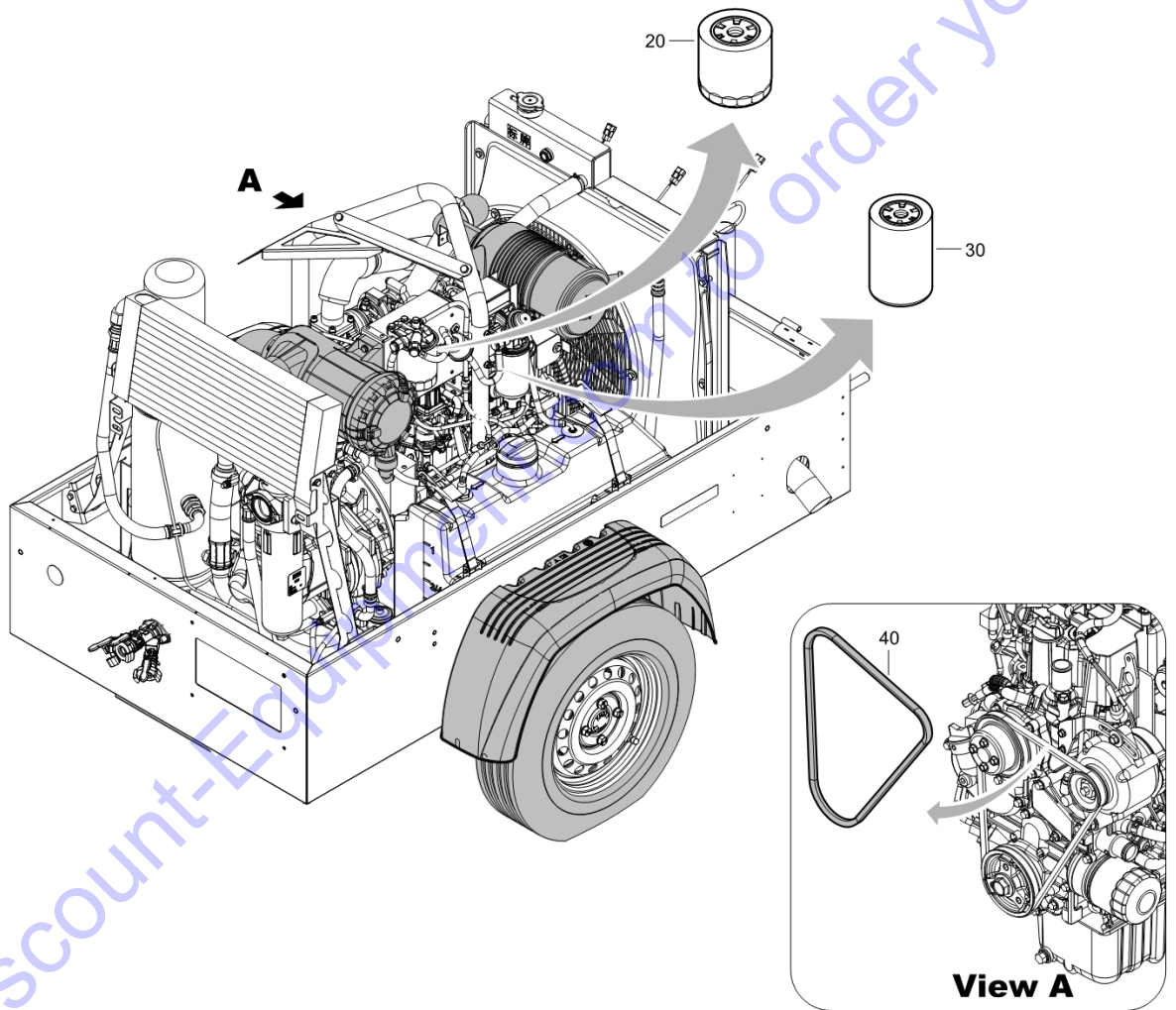
Extended support	1611726331
SUPPORT MOUNTED	1611726231
Roads led ce	1611701852
No road signal	1611701850
Safety cartridge entaron	1611701989
Compact toolbox	1611701724
Roads(non led) cp	1611701851
FLEETLINK SMART	1611700404
Semi road signal	1611726731
Oil hoses std	1611702056
Oils CS	1611702054
Nrv no quality air equipment	1611701249
Claw coupling general	1611701324
Air outlet	1611734331
Hose reel	1611731131
Hoses PD+QD PRS	1611701745
AF+WSD+BP+PD+QD	1611701633
No coldstart	1611701683
th outlet valve	1611734231
Anti theft device	1611731331
Inlet shut down	1611735231
Plate	1630160007
LUBRICATOR	1638121680
Fixed towbar Braked	2914900064
Protempo Box 2.2 braked axle service parts	2914900068
Adjustable towbar braked Protempo service parts	2914900066
Fixed towbar Braked Protempo service parts	2914900069
Lubricator package	1611701630
MANIFOLD	1638165281
Bypass package	1611701393
Aftercooler package	1611701626
EYE TOWING NATO	1638307880
EYE TOWING GB D50	1638308080
EYE TOWING	1638307980
EYE TOWING BALL COUPLING	1638307780
TANK FUEL	1638590780
TANK FUEL	1638116483
Loose ball coupling	1638746380
TYRE ASSY	1615924288
Support leg	1611812431
Jockey wheel FB	1611814531
SUPPORT LEG US MARKET	1611734831
MODULE	1638886200
Hoses PD filter PRS	1611701744
BRAKE SHOE KIT	2911000065
AF+WSD+BP+PD	1611701632
AF+WSD+BP+LUB	1611701631
Adjustable towbar braked	2914900065
Adjustable unbraked towbar	2914900063
TOOLBOX	1638116383

UNDERCARRIAGE FIXED TOWBAR UNBRAKED	1611744131
Jockey wheel	1611701611
UNDERCARRIAGE FIXED TOWBAR UNBRAKED DOT	1611744531
Tyre assembly	1611816431
Hoses reheater PRS	1611701746
Oil hoses reheater	1611701400
Oil hose	1611702132
BACKPLATE COVER AC	1611702435
Hoses ball valve PRS	1611701747
Ball valve	1611701396
UNDERCARRAIGE	1611744431
Safety chain	1611772212
UNDERCARRIAGE ADJUSTABLE UNBRAKED TOWBAR	1611744231
Toolbox	1611701639
Af+wsd+bp+rh	1611701635
Tyre assembly	1638562100
Tyre assembly	1638567600
Oil hoses + battery std.	1611702059
Hoses lubricator (NO AF) PRS	1611701741
Lubricator (no aftercooler)	1611701629
Hoses AF+WSD+BP for STV PRS	1611701740
AF+WSD+BP	1611701628
Elbow vessel out	1611701792
Air outlet no QAE PRS	1611701736
Hoses AF+WSD for STV PRS	1611701739
Aftercooler	1611701624
EYE TOWING	1611853014
EYE TOWING	1611853514
Eye towing ball coupling	1611701413
UNDERCARRAIGE	1611744331
Undercarriage adjustable braked	1611700466
Small tank fuel	1611701326
FUEL TANK	1611701403_03
BP without NRV	1611701252
Nrv with quality air equip + bp	1611701251
Restrictor	1611701316
Nrv with quality air equip no bp	1611701250
Loose ball coupling	1611701248
Restrictor for nrv	1611702173
Hoses lubricator (W/ AF) PRS	1611701742
Yellow battery package	1611701766

KITS AND CONSUMABLES	ITEM NUMBER	DESCRIPTION	CHANGE INTERVAL / QUANTITY		
			500 HOURS	1000 HOURS	WHEN NEEDED
MAINTENANCE KIT	1	SERVICE KIT 500 HOURS	1		
	2	SERVICE KIT 1000 HOURS		1	
COMPRESSOR OIL	3	CAN GENOIL M 5 LITER/1.32 GALLON			
USE GENOIL M	4	CAN GENOIL M 20 LITER/5.3 GALLON	8 LITER 2.12 GALLON	8 LITER 2.12 GALLON	No
USE GENOIL S	5	CAN GENOIL S 20 LITER/5.28 GALLON			
USE GENOIL S ULTRA	6	CAN GENOIL S ULTRA 20 LITER/5.3 GALLON			
ENGINE OIL	7	CAN GENOIL 15W40 5 LITER/1.32 GALLON			
USE GENOIL 15W40	8	CAN GENOIL 15W40 20 LITER/5.3 GALLON	45 LITER 11.89 GALLON	45 LITER 11.89 GALLON	No
USE GENOIL 5W40	9	CAN GENOIL 5W40 5 LITER/1.32 GALLON			
	10	CAN GENOIL 5W40 20 LITER/5.3 GALLON			
USE GENOIL ENGINE GREEN	11	CAN GENOIL ENGINE GREEN 5 LITER/1.32 GALLON			
	12	CAN GENOIL ENGINE GREEN 20 LITER/5.3 GALLON			
COOLANT	13	CAN GENCOOL EG CONCENTRATE 5 LITER/1.32 GALLON	8.5 LITER 2.25 GALLON	8.5 LITER 2.25 GALLON	No
USE GENCOOL EG	14	CAN GENCOOL EG 5 LITER/1.32 GALLON			
	15	CAN GENCOOL EG 20 LITER/5.3 GALLON			

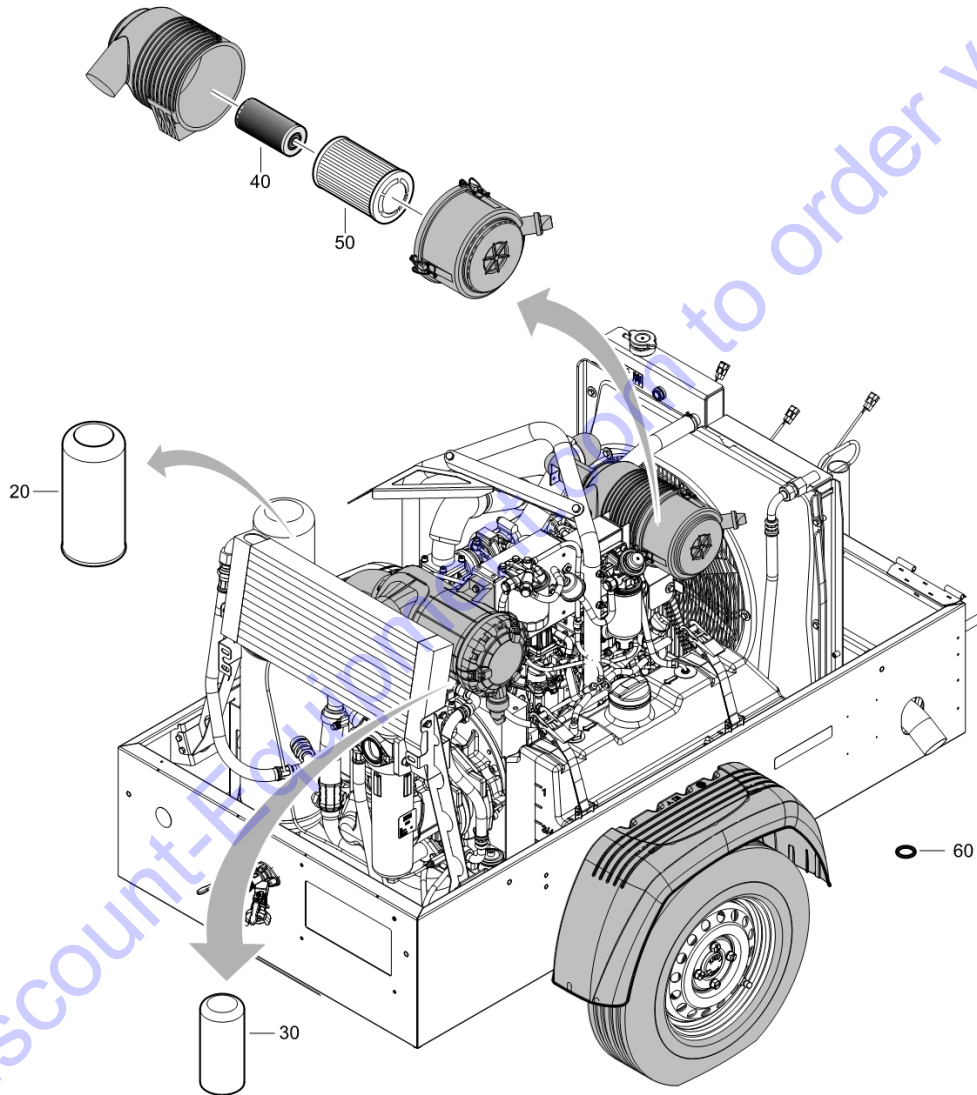
Id	Qty	Number	Name	Specifications
1	1	2912501500	V BELT	
2	1	2912501600	GASKET 17 X 21 X 1.5	
3	2	1626226000	GENOIL M CAN 5L	
4	1	1626226100	GENOIL M CAN 20L	
5	1	1630017500	OIL GENOIL S 20L	
6	1	1630024900	Can Genoil S Ultra 20 Liter/5.3 Gallon	
7	9	1626226200	GENOIL 15W40 CAN 5L	
8	3	1626226300	GENOIL 15W40 CAN 20L	
9	9	1626225801	CAN GENOIL 5W40 5 LITER/1.32 GALLON	
10	3	1626225901	CAN GENOIL 5W40 20 LITER/5.3 GALLON	
11	9	1638074000	CAN GENOIL ENGINE GREEN 5 LITER/1.32 GALLON	
12	3	1638075000	CAN GENOIL ENGINE GREEN 20 LITER/5.3 GALLON	
13	2	1626225701	CAN GENCOOL EG CONCENTRATE 5 LITER/1.32 GALLON	
14	2	1626225501	CAN GENCOOL EG 5 LITER/1.32 GALLON	
15	1	1626225601	CAN GENCOOL EG 20 LITER/5.3 GALLON	

Go to Discount-Equipment.com to order your parts



<b>Id</b>	<b>Qty</b>	<b>Number</b>	<b>Name</b>	<b>Specifications</b>
-	1	2912501500	V BELT	
20	1		FUEL PRE FILTER	
30	1		FUEL FILTER	
40	1		V BELT	

Go to Discount-Equipment.com to order your parts



Id	Qty	Number	Name	Specifications
-	1	2912501600	GASKET 17 X 21 X 1.5	
-	1	2912501500	V BELT	
20	1		SEPARATOR OIL	
30	1		OIL FILTER	
40	1		AIR FILTER ELEMENT	
50	1		ELEMENT: AIR CLEANER MB	
60	3		GASKET 17 X 21 X 1.5	

Go to Discount-Equipment.com to order your parts

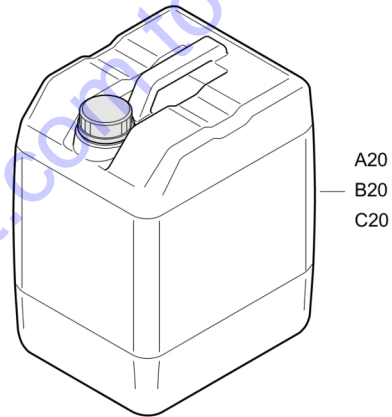
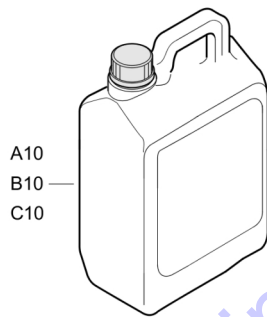




Go to Discount-Equipment.com to order your parts

Id	Qty	Number	Name	Specifications
-			GENOIL M	
A10	1	1626226000	GENOIL M CAN 5L	
A20	1	1626226100	GENOIL M CAN 20L	
-			GENOIL S	
B20	1	1630017500	OIL GENOIL S 20L	
-			GENOIL S ULTRA	
C20	1	1630024900	Can Genoil S Ultra 20 Liter/5.3 Gallon	

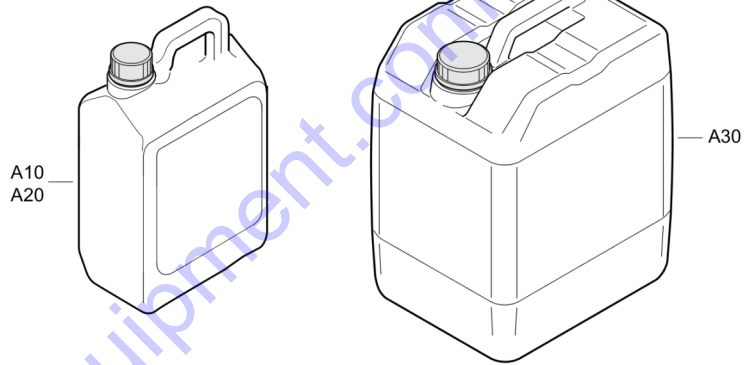
Go to Discount-Equipment.com to order your parts



Go to Discount-Equipment.com to order your parts

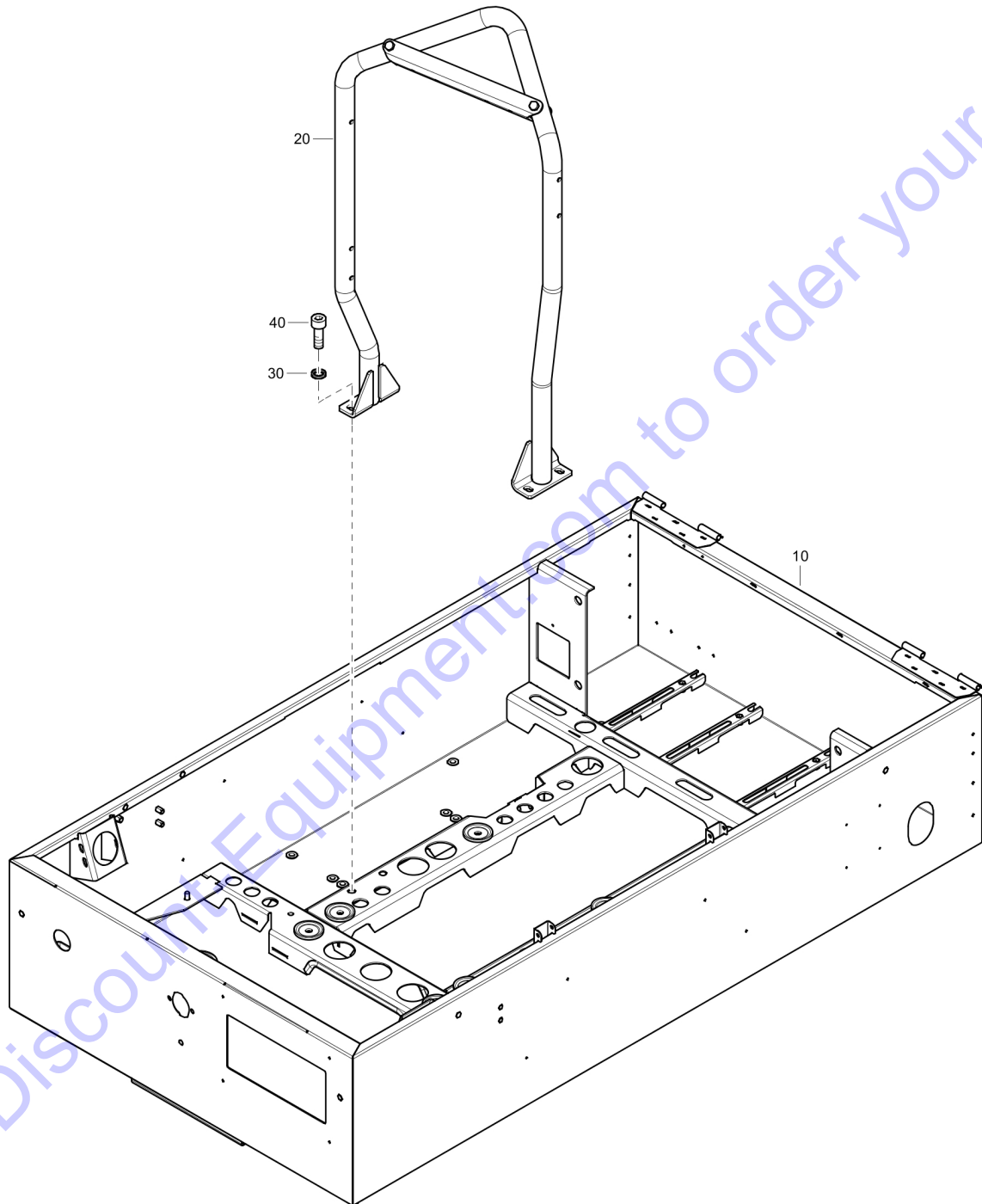
Id	Qty	Number	Name	Specifications
-			GENOIL PERFORMANCE	
A10	1	1626226200	GENOIL 15W40 CAN 5L	
A20	1	1626226300	GENOIL 15W40 CAN 20L	
-			GENOIL ENGINE PLUS	
B10	1	1626225801	CAN GENOIL 5W40 5 LITER/1.32 GALLON	
B20	1	1626225901	CAN GENOIL 5W40 20 LITER/5.3 GALLON	
-			GENOIL ENGINE GREEN	
C10	1	1638074000	CAN GENOIL ENGINE GREEN 5 LITER/1.32 GALLON	
C20	1	1638075000	CAN GENOIL ENGINE GREEN 20 LITER/5.3 GALLON	

Go to Discount-Equipment.com to order your parts



Id	Qty	Number	Name	Specifications
A10	1	1626225701	CAN GENCOOL EG CONCENTRATE 5 LITER/1.32 GALLON	
A20	1	1626225501	CAN GENCOOL EG 5 LITER/1.32 GALLON	
A30	1	1626225601	CAN GENCOOL EG 20 LITER/5.3 GALLON	

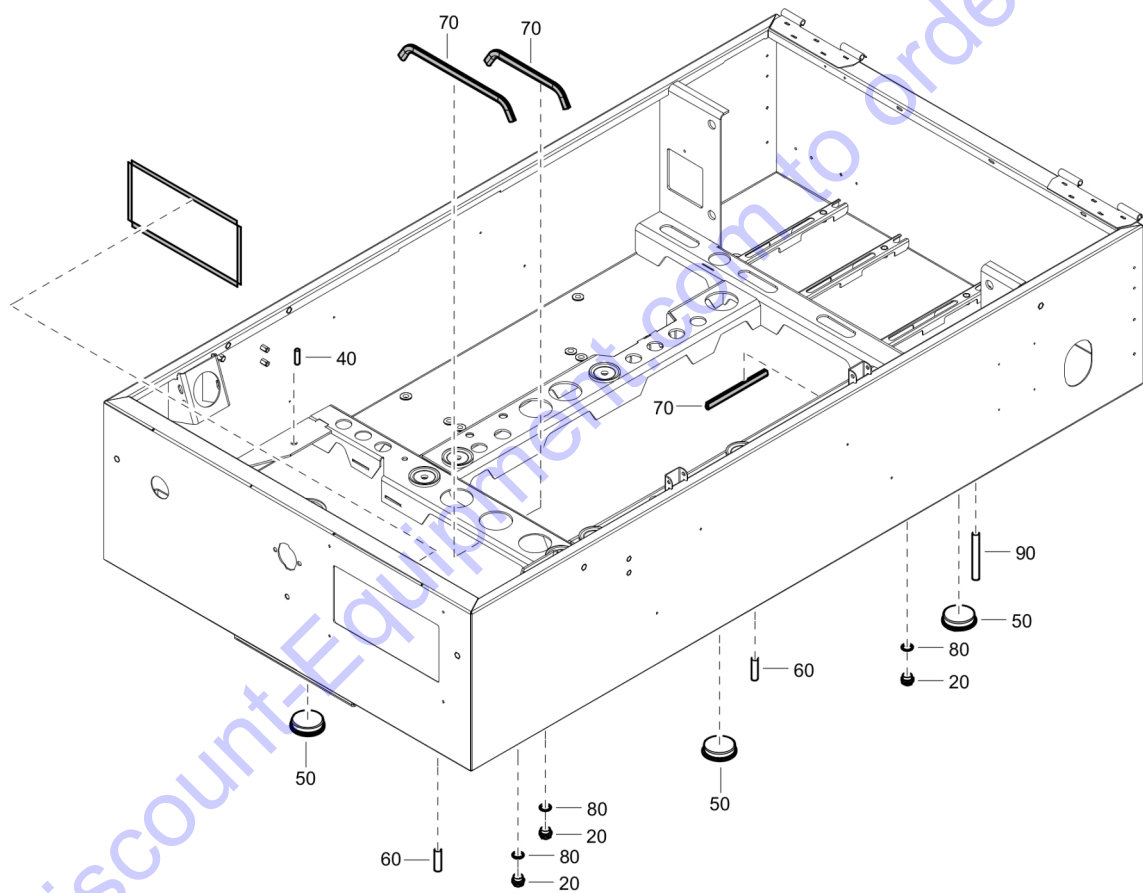
Go to Discount-Equipment.com to order your parts



Id	Qty	Number	Name	Specifications
10	1	1638847082	FRAME	
20	1	1638522282	Lifting beam	
30	4	3315019508	LOCK WASHER	
40	4	0211140203	SCREW-CAP:M 12X1.75X35 \$STL	

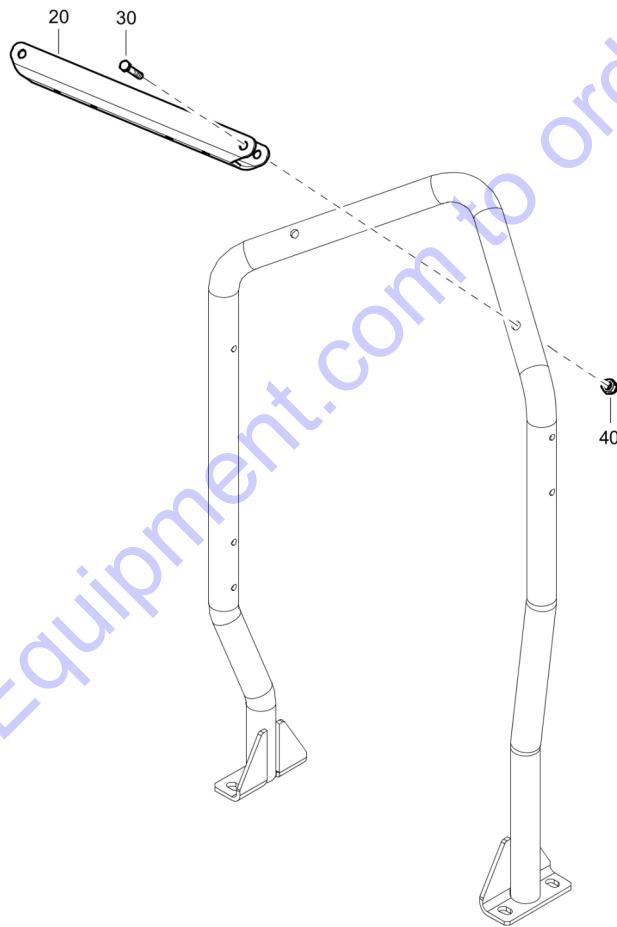
Go to Discount-Equipment.com to order your parts





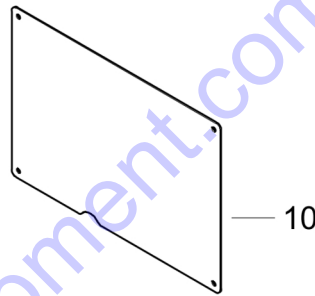
Id	Qty	Number	Name	Specifications
20	5	0686371638	PLUG	
40	2	0246119604	Stud screw	
50	2	1613265500	PLUG	
60	4	0246195657	STUD	
70	4	1626167400	PROTECTION	
80	5	0653110000	GASKET 17 X 21 X 1.5	
90	2	0246129604	Rod	

Go to Discount-Equipment.com to order your parts



<b>Id</b>	<b>Qty</b>	<b>Number</b>	<b>Name</b>	<b>Specifications</b>
20	1	1638168901	PLATE LOCK	
30	2	0147136903	HEX. HEAD SCREW M10 X 60	
40	2	0291112820	LOCK NUT M10	

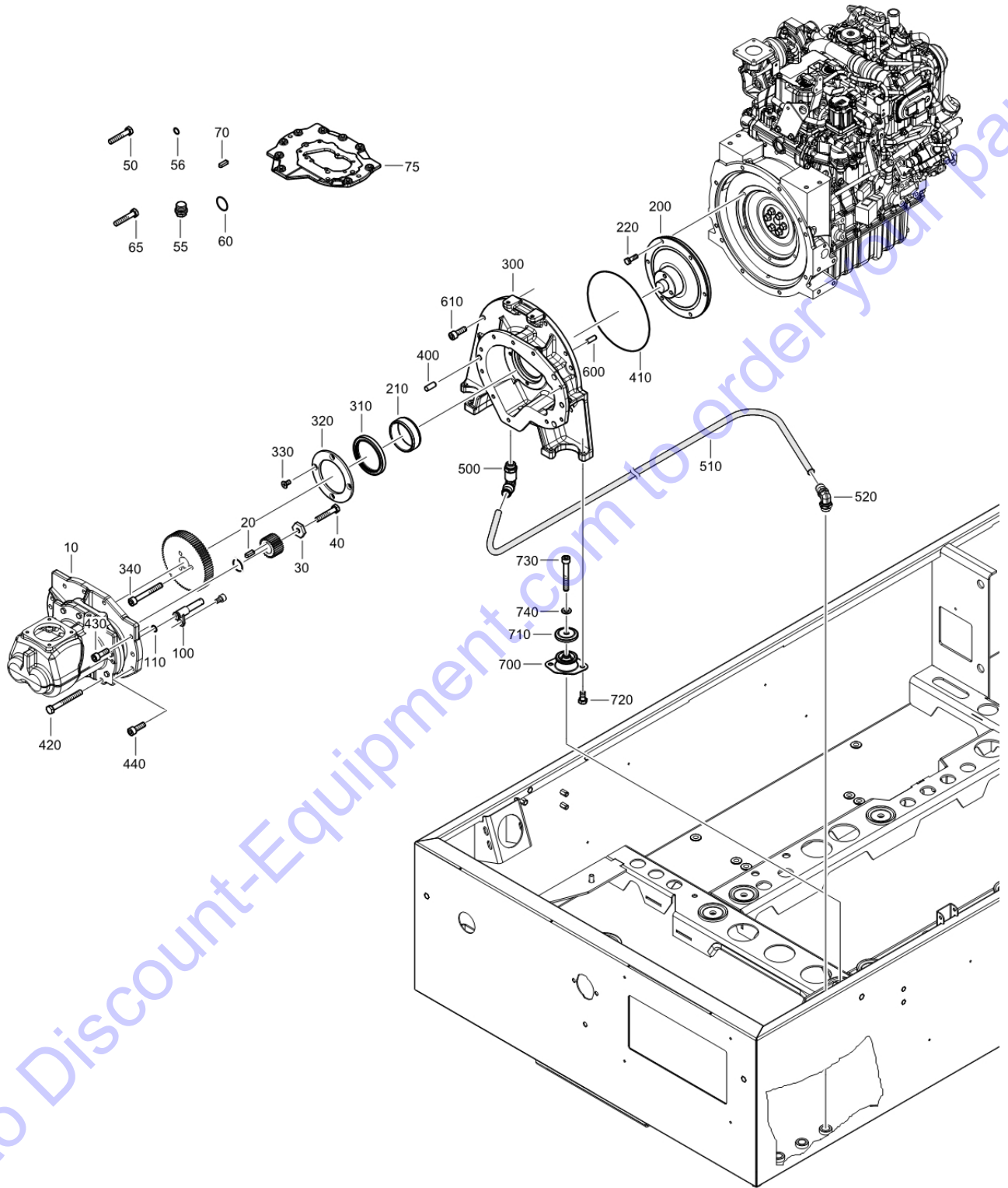
Go to Discount-Equipment.com to order your parts



Go to Discount-Equipment.com to order your parts

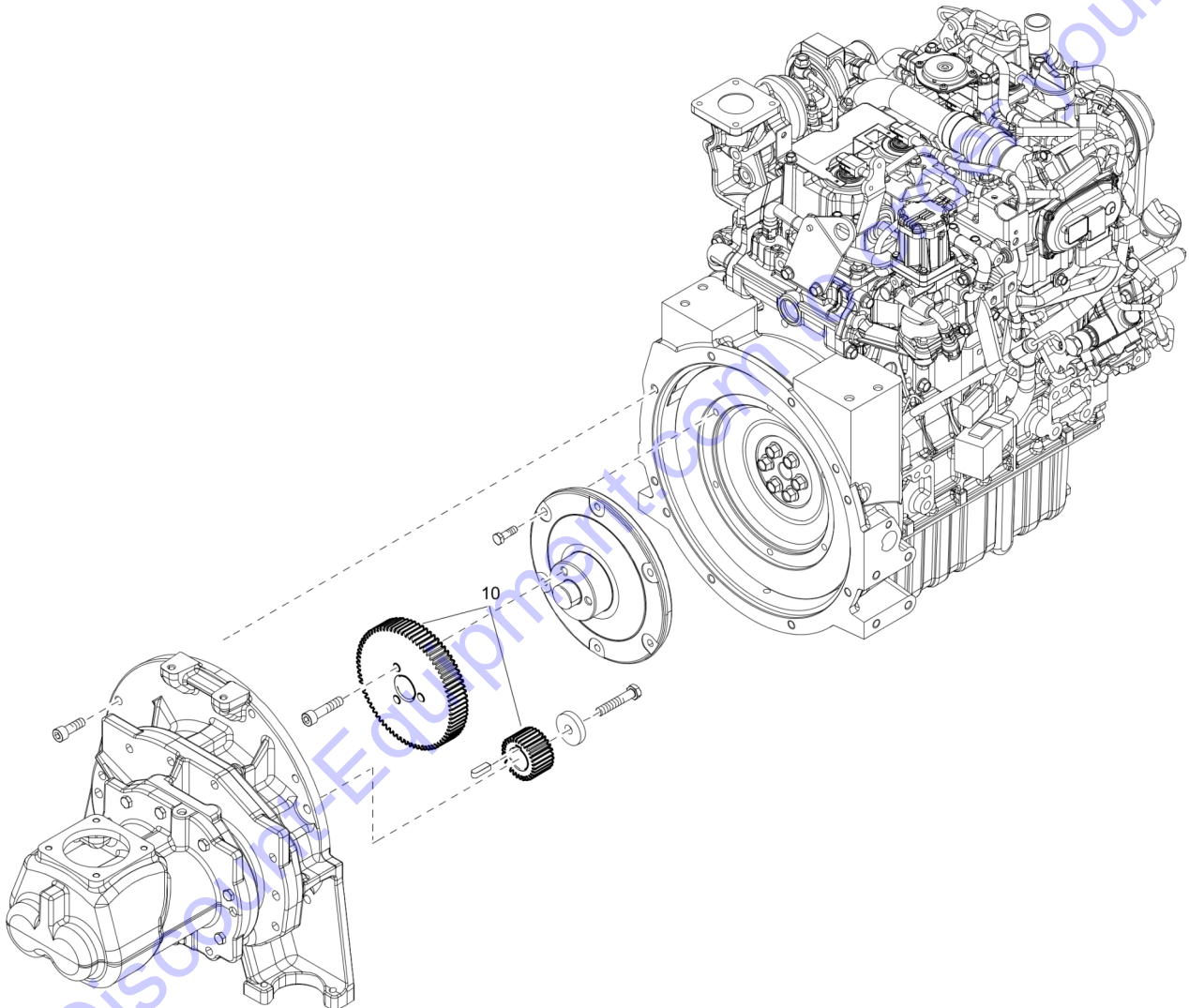
Id	Qty	Number	Name	Specifications
10	1	1604080085	FRAME	

Go to Discount-Equipment.com to order your parts



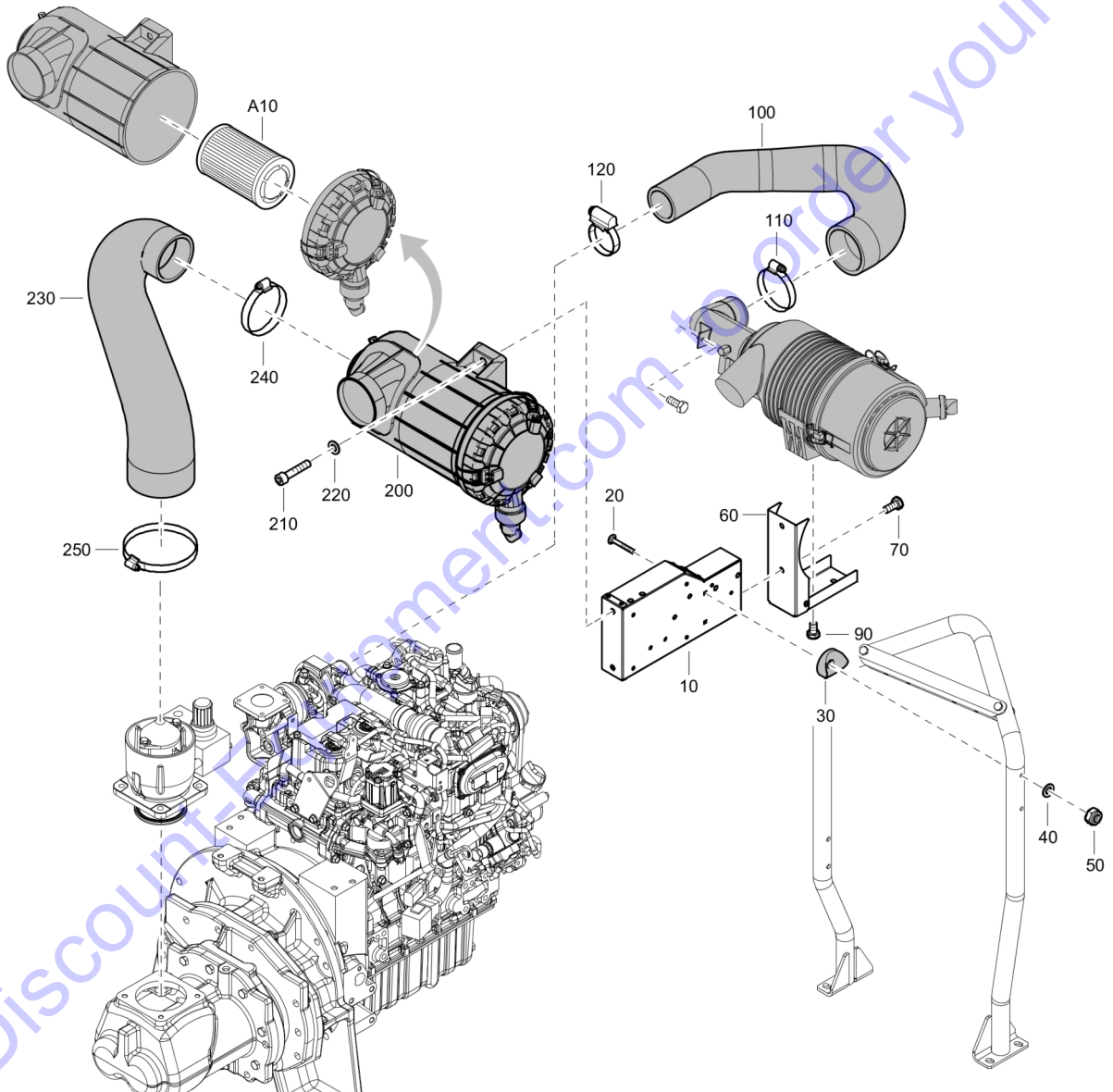
Id	Qty	Number	Name	Specifications
20	1	1638122901	KEY PARALLEL	
30	1	1638122403	WASHER PLAIN	
40	1	0147111126	HEX. SOCK. SCREW	
50	2	0211133403	HEX SOCK. SCREW	
55	1	0686371601	PLUG 1/4 AA	
56	1	0653107200	FLAT GASKET	
60	1	0663210785	O-RING	
65	5	0211132503	HEX SOCK. SCREW M8 X 25	
70	2	0102045800	PARALLEL PIN	
75	1	1649811333	GEAR FLANGE FINI ( C67 VSD2)	
100	1	1638122802	NOZZLE	
110	1	0663210784	O-RING	
200	1	1638137401	SHAFT DRIVE	
210	1	1638122201	BUSHING	
220	6	0144324320	HEX. SOCK. SCREW	
300	1	1638138603	GEARBOX	
310	1	1638122700	SEAL LIP	
320	1	1638122600	RING CLAMPING	
330	4	0216195738	SCREW	
340	3	0211110576	HEX. CSUNK SCREW	
400	2	0102045800	PARALLEL PIN	
410	1	0663211596	O-RING 240X3	
420	1	0211137503	SCREW	
430	2	0211136303	SCREW:M10X 30;SOC HD CAP	
440	7	0211136403	HEXAGON SOCKET HEAD CAP SCREW	
500	1	0581202604	ELBOW	
510	0.68	0070600206	TUBE	
520	1	0583812088	COUPLING	
600	2	0102041000	PIN	
610	8	0211196118	SOCKET CAP SCREW	
700	2	1202900601	PAD ANTI VIBR.	
710	2	1202871900	WASHER PLAIN	
720	4	0211110614	HEX SOCK. SCREW	
730	2	0211110607	HEX SOCK. SCREW	
740	2	0301234400	PLAIN WASHER M10	





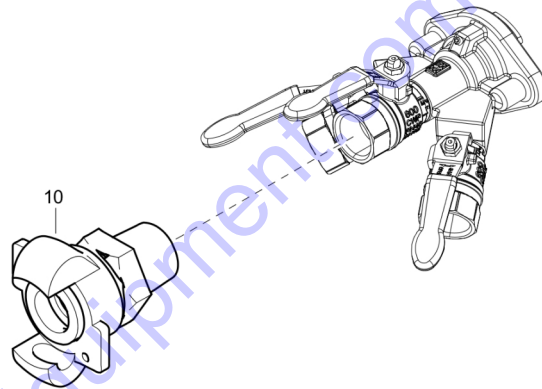
<b>Id</b>	<b>Qty</b>	<b>Number</b>	<b>Name</b>	<b>Specifications</b>
10	1	1638123481	GEARSET I=3,04	Version: 1

Go to Discount-Equipment.com to order your parts



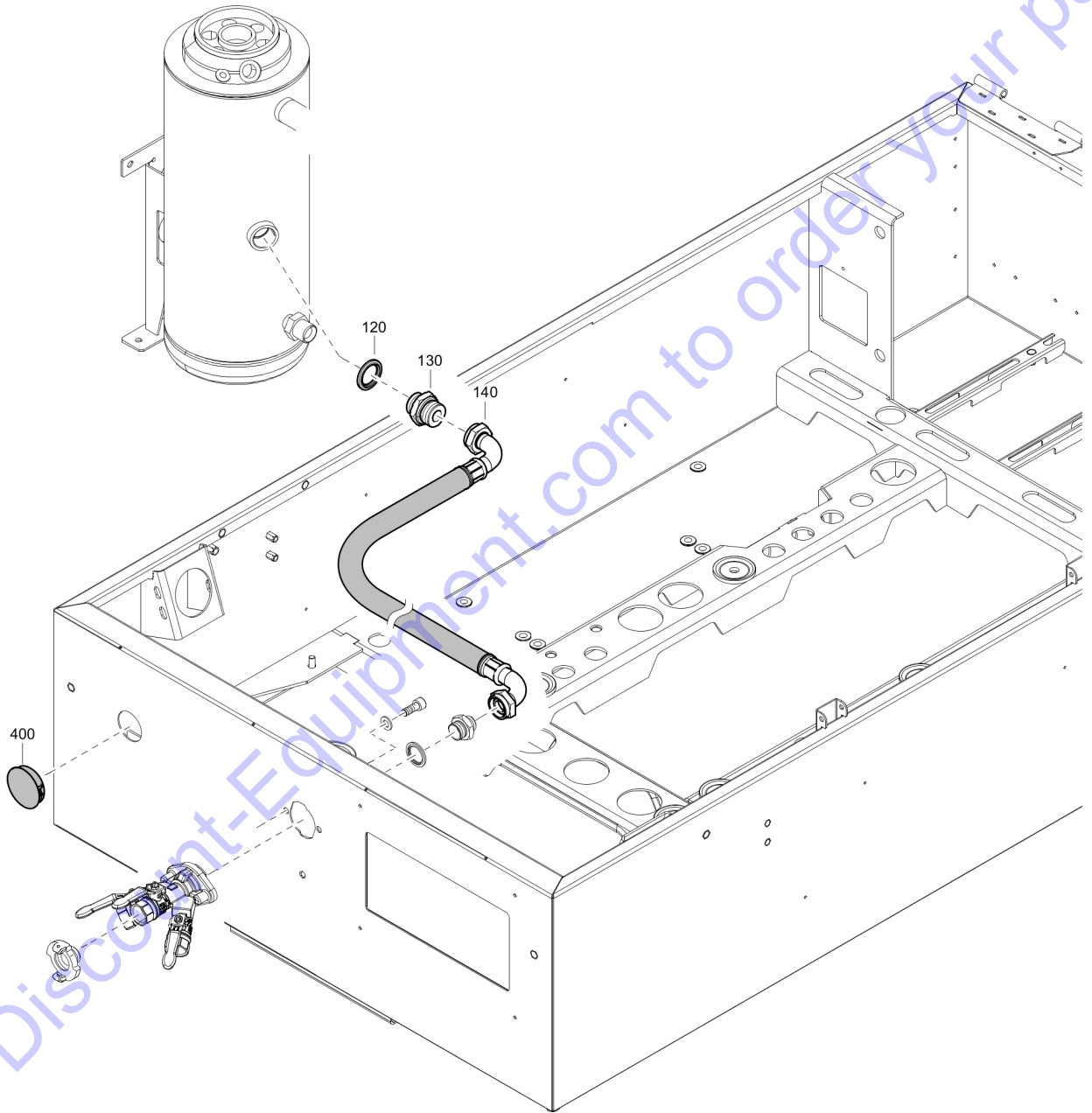
Id	Qty	Number	Name	Specifications
10	1	1638520601	SUPPORT MOUNT: ROADLIGHT HARNESS	
20	2	0226991510	SQ. NECK BOLT	
30	2	1638211800	Washer	
40	2	0301233500	PLAIN WASHER(A) 8.4 X 16 X 1.6	
50	2	0291111000	LOCK NUT M8	
60	1	1638520701	SUPPORT	
70	2	0147132203	HEX. BOLT	
90	2	0147132003	HEXAGON BOLT	
100		1638520803	HOSE	
110	1	0347611400	CLAMP	
120	1	0347610029	Clamp hose	
200	1	1638905500	FILTER	
A10	1	1310218670	ELEMENT: AIR CLEANER MB	
210	2	0211132803	HEX SOCK. SCREW	
220	2	0301233500	PLAIN WASHER(A) 8.4 X 16 X 1.6	
230	1	1638437900	HOSE	
240	1	0347611600	HOSE CLAMP	
250	1	0347611500	HOSE CLIP	

Go to Discount-Equipment.com to order your parts



<b>Id</b>	<b>Qty</b>	<b>Number</b>	<b>Name</b>	<b>Specifications</b>
10	3	1638184300	COUPLING	

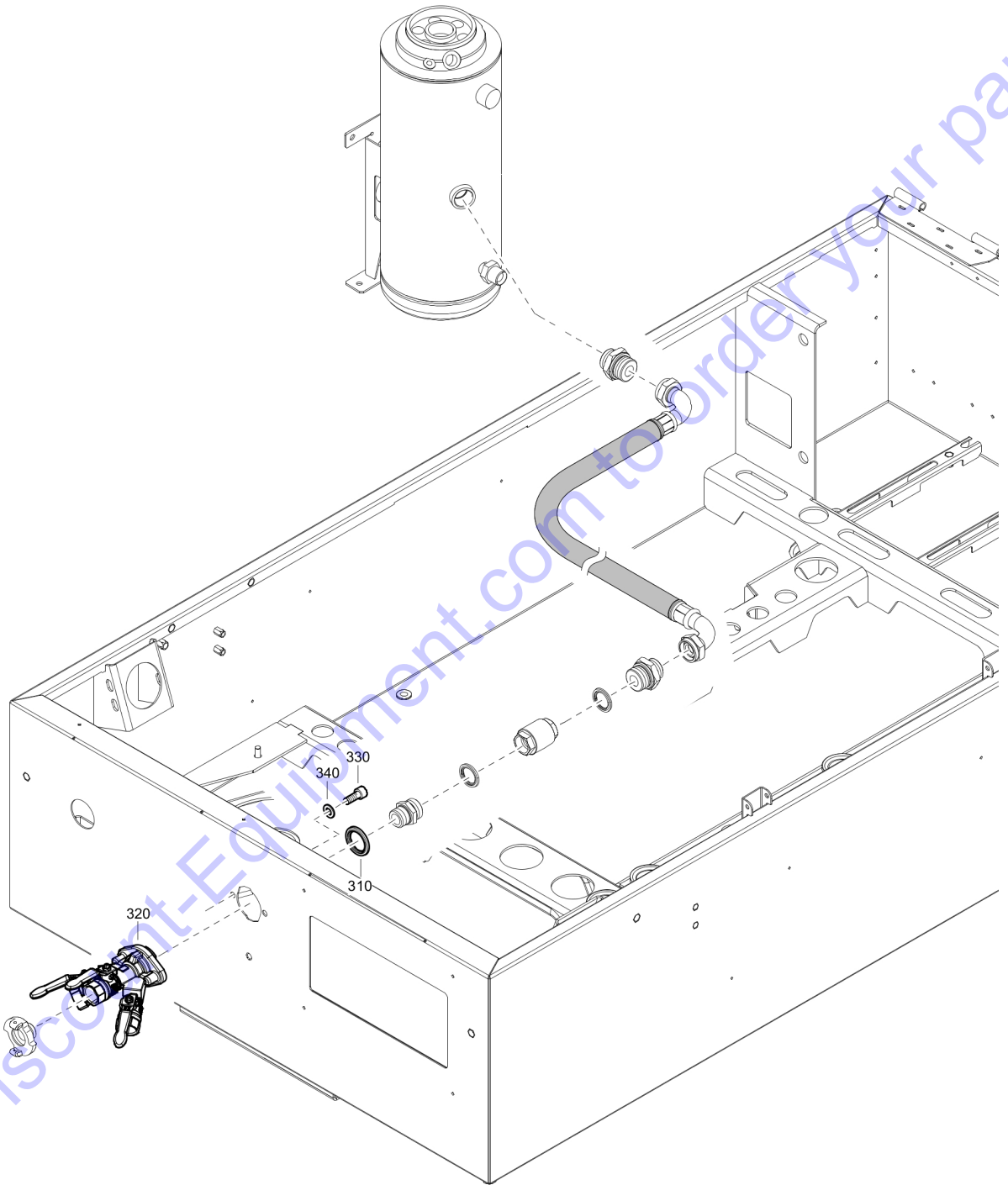
Go to Discount-Equipment.com to order your parts



<b>Id</b>	<b>Qty</b>	<b>Number</b>	<b>Name</b>	<b>Specifications</b>
120	1	0661104900	SEAL WASHER	
130	1	0571003572	FITTING	
140	1	1638778501	HOSE ASSEMBLY	
400	1	1638535000	Plug	

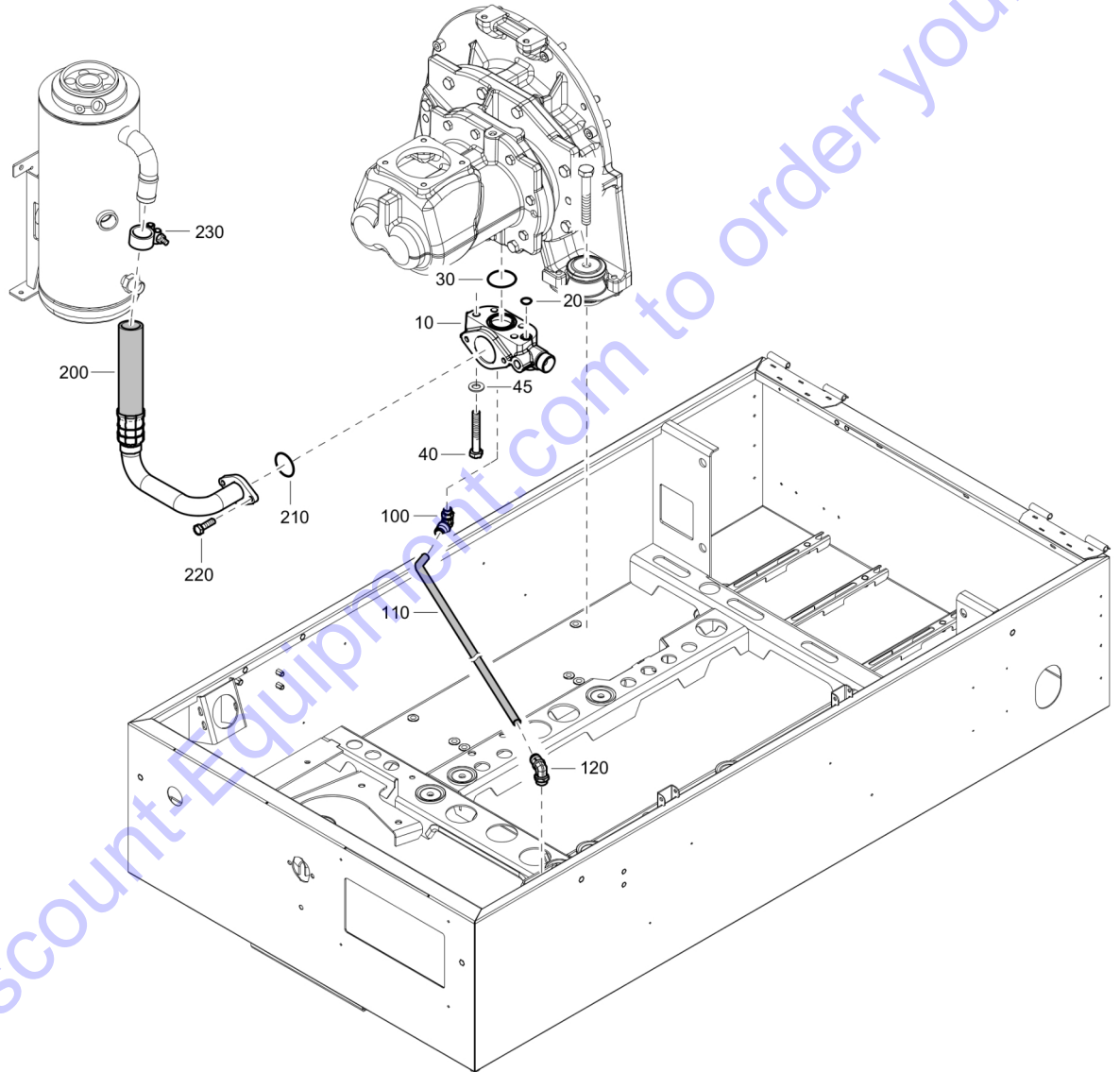
Go to Discount-Equipment.com to order your parts





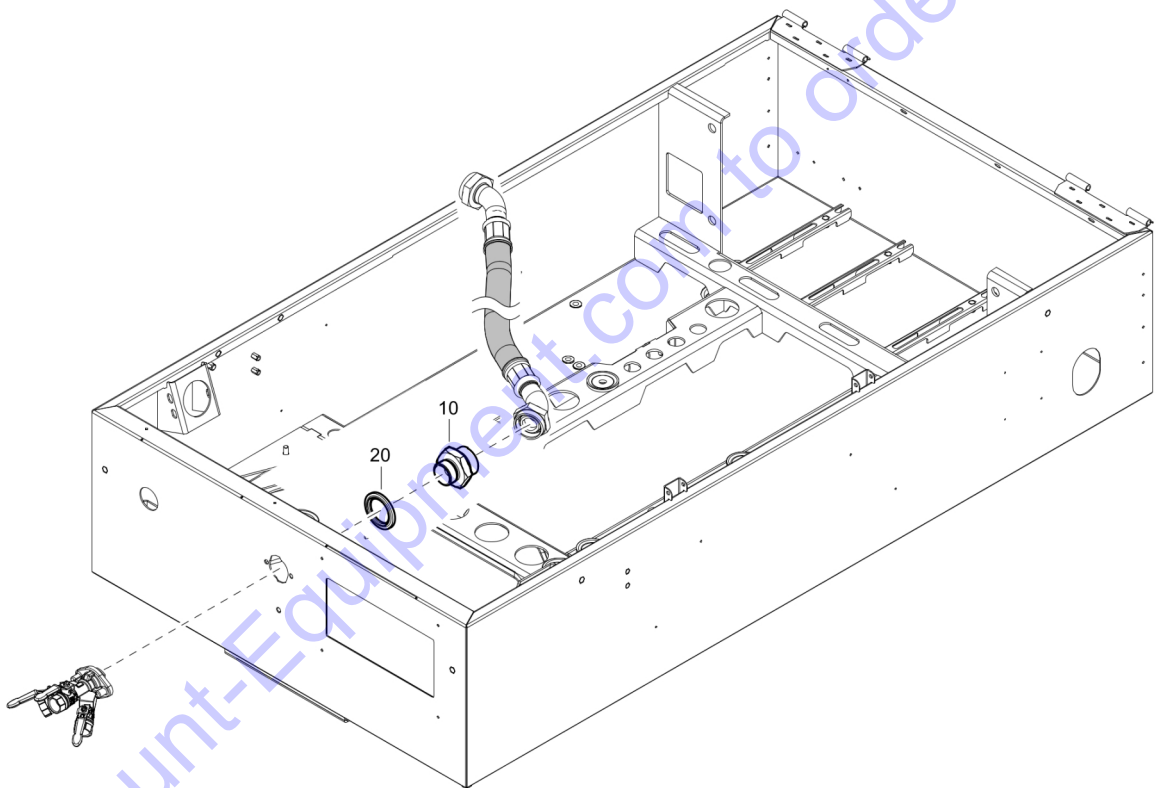
<b>Id</b>	<b>Qty</b>	<b>Number</b>	<b>Name</b>	<b>Specifications</b>
310	1	0661103800	SEALING WASHER	
320	1	1638165281	MANIFOLD	
330	2	0211132300	HEX SOCK. SCREW	
340	2	0301233500	PLAIN WASHER(A)	8.4 X 16 X 1.6

Go to Discount-Equipment.com to order your parts



Id	Qty	Number	Name	Specifications
10	1	1638113702	MANIFOLD	Version: 1
20	1	0663211135	O-RING	
30	1	0663313200	O-RING 36,2 X 3	
40	4	0147133100	SCREW HEXAGON	
45	4	9106181545	WASHER M8	
100	1	0581202592	FITTING PIPE	
110		0070600206	TUBE	
120	1	0583812088	COUPLING	
200	1	1638166301	Hose assembly	
210	1	0663713400	O-RING 49.5X3	
220	2	0147132503	HEX. HEAD SCREW	
230	1	1202866304	CLAMP	

Go to Discount-Equipment.com to order your parts



<b>Id</b>	<b>Qty</b>	<b>Number</b>	<b>Name</b>	<b>Specifications</b>
10	1	1638228602	NOZZLE	
20	1	0661103800	SEALING WASHER	

Go to Discount-Equipment.com to order your parts

**CALIFORNIA**  
**Proposition 65 Warning**  
 Diesel engine exhaust and some of its constituents are known to the State of California to cause cancer, birth defects, and other reproductive harm.

100

**Tampering with noise control system prohibited.**  
 Federal law prohibits the following acts or the causing thereof :

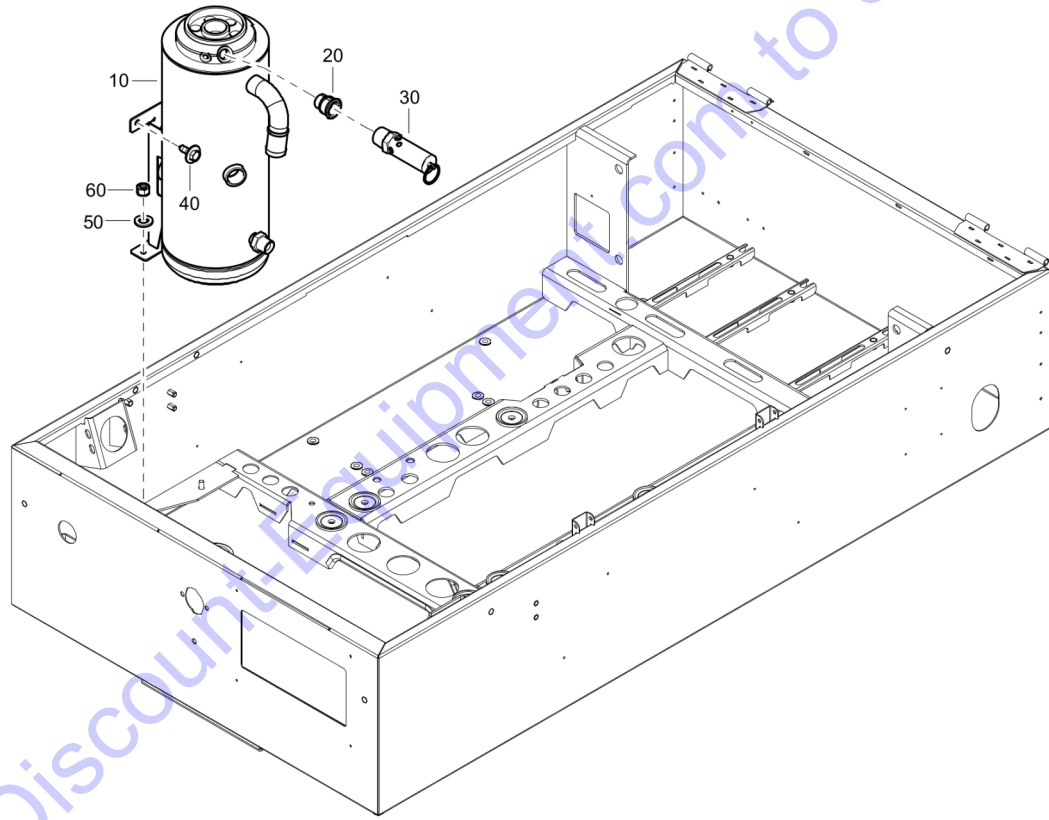
(1) The removal or rendering inoperative by any persons, other than for purposes of maintenance repair or replacement of any device or element of design incorporated into any new compressor for the purpose of noise control prior to its sale or delivery to the ultimate purchaser or while it is in use; or

(2) the use of the compressor after such device or element of design has been removed or rendered inoperative by any person.

Among those acts included in the prohibition against tampering are the acts listed below:

1. Removal or rendering inoperative any of the following:	2. Removal of any of the following:
a. engine exhaust muffler	a. sound absorptive material, including sealing strips on doors, panels and other canopy parts
b. cooling air exhaust and intake silencers	b. fan shroud
c. acoustic baffles	3. Operation of the compressor with any of the enclosure doors open
d. housing components, canopy, or bottom panel.	
e. engine or compressor mounts	
f. inlet air throttling system	

101

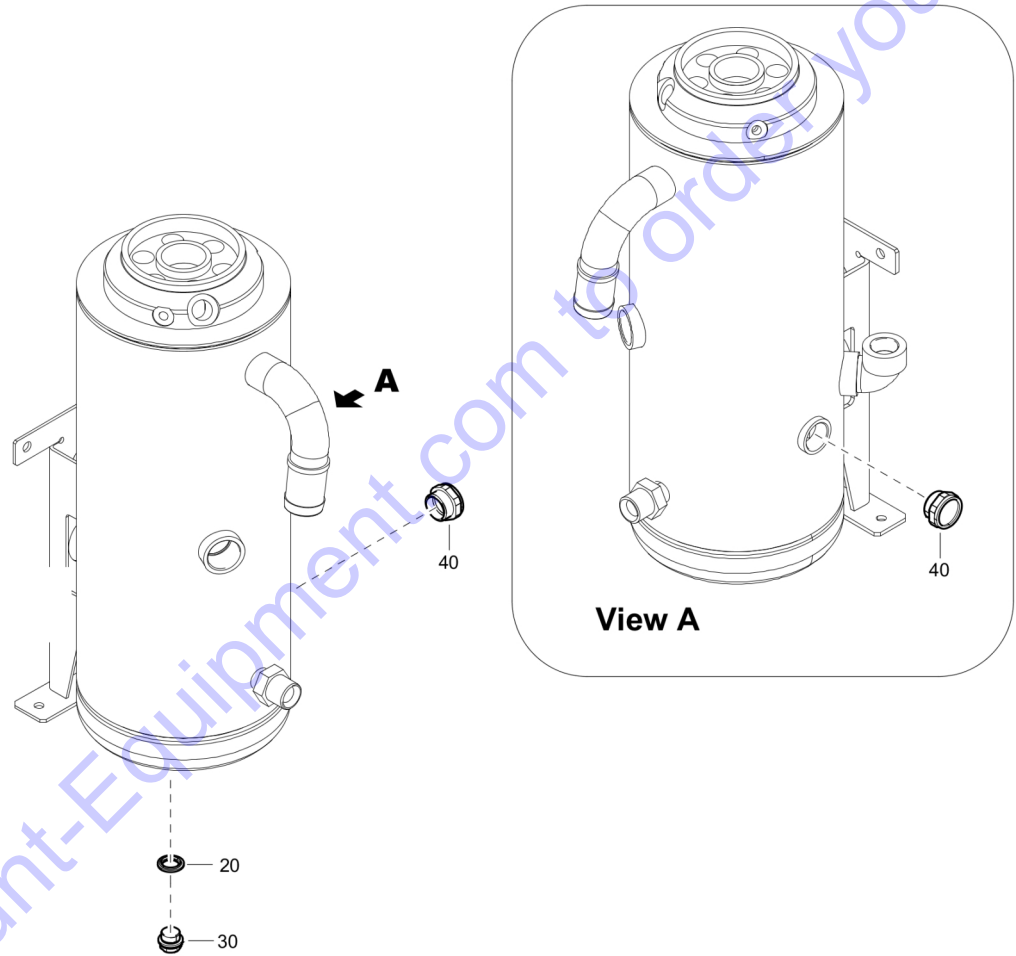


Go to DiscountEquipment.com to order your parts

Id	Qty	Number	Name	Specifications
10	1	1638213580	VESSEL AIR ASSY	
20	1	0560440573	FITTING PIPE	
30	1	0830101235	Safety valve	
40	2	1615566400	BOLT-SCRAPER:M8X25, 8.8 FZB	
50	2	0301233500	PLAIN WASHER(A) 8.4 X 16 X 1.6	
60	2	0291111000	LOCK NUT M8	
100	1	1638530300	DECAL	
101	1	1079993186	DECAL	

Go to Discount-Equipment.com to order your parts

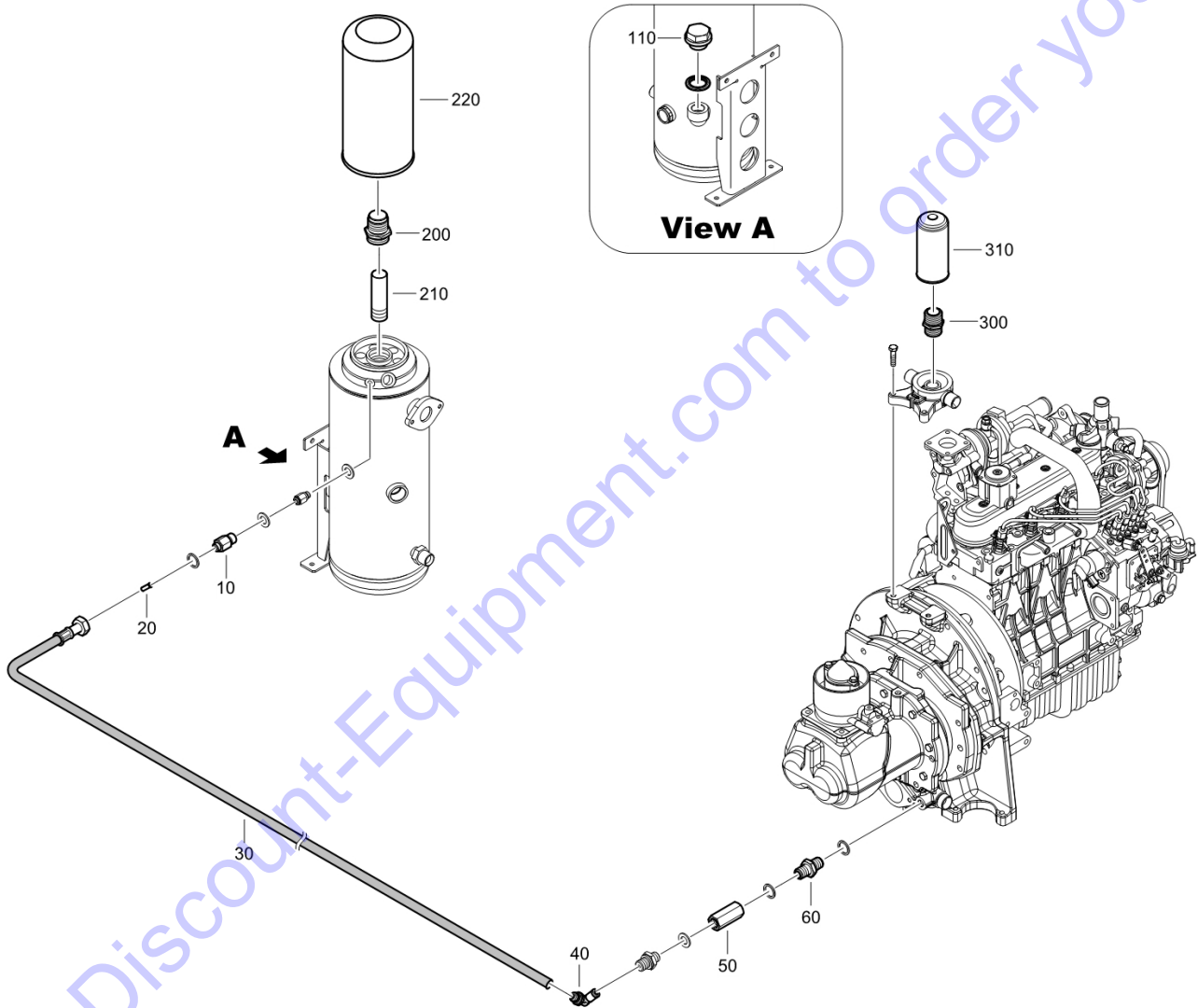




Go to Discount-Equipment.com to order your parts

<b>Id</b>	<b>Qty</b>	<b>Number</b>	<b>Name</b>	<b>Specifications</b>
20	1	0661100040	WASH SEAL 14.76	
30	1	0686371638	PLUG	
40	1	1638159400	SIGHT GLASS	

Go to Discount-Equipment.com to order your parts



<b>Id</b>	<b>Qty</b>	<b>Number</b>	<b>Name</b>	<b>Specifications</b>
10	1	0583810057	COUPLING	
20	1	1626974001	NOZZLE	
30	0.78	0070600248	HOSE TUBO RILSAN 6X4 TRASP.	
40	1	0583812100	FITTING PIPE THREADED ELBOW 90	
50	1	0823005009	NON RETURN VALVE	
60	1	0581202536	NIPPLE	
110	1	1638915180	PLUG	
200	1	1626823800	NIPPLE	
210	1	1626823701	PIPE	
220	1	6221372500	SEPARATOR OIL (RLR 30/40)	
300	1	1619377001	NIPPLE	
310	1	6211472200	OIL FILTER	

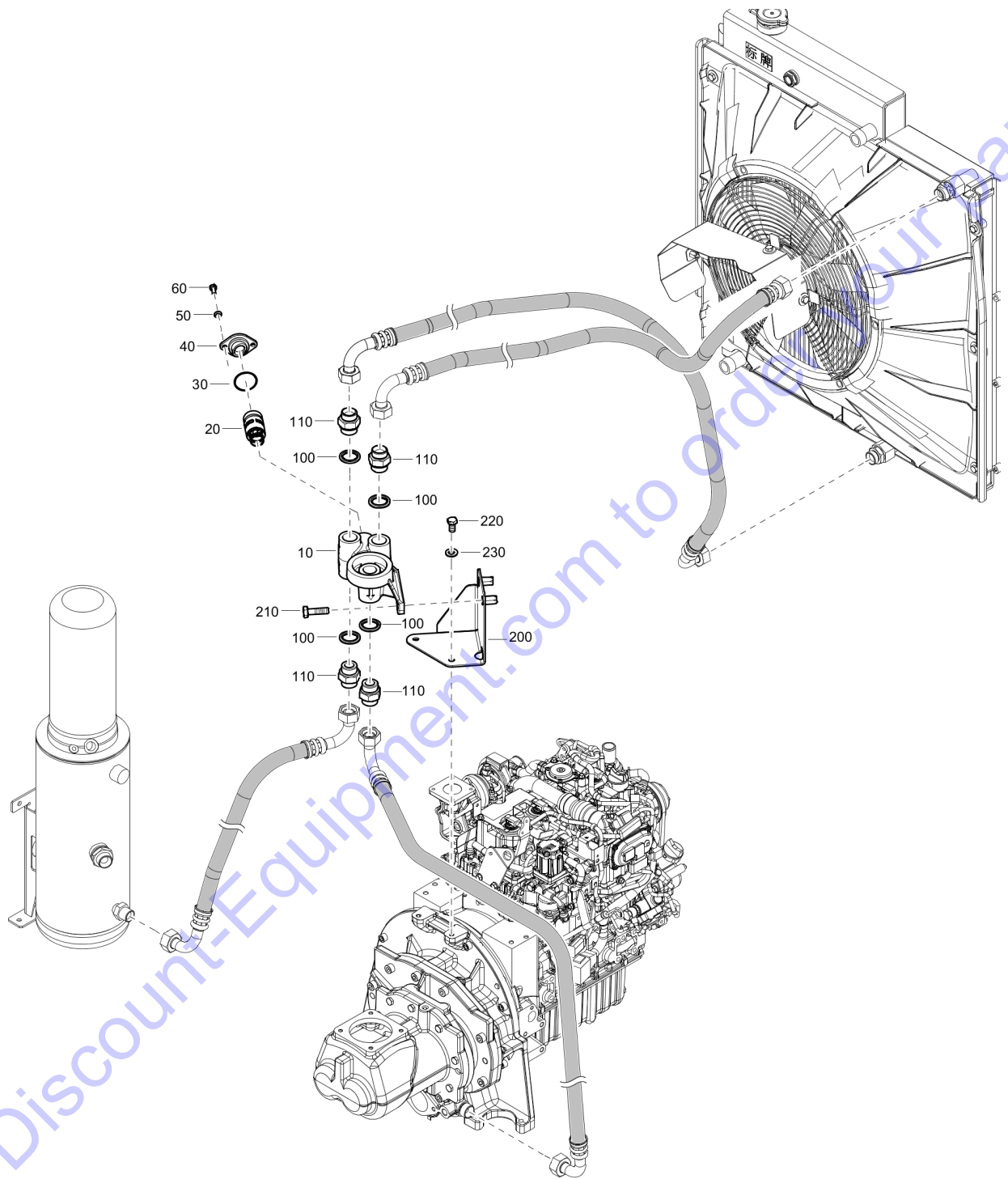
Go to Discount-Equipment.com to order your parts



Go to Discount-Equipment.com to order your parts

<b>Id</b>	<b>Qty</b>	<b>Number</b>	<b>Name</b>	<b>Specifications</b>
10	1	0663210270	O-RING 28X3.5	

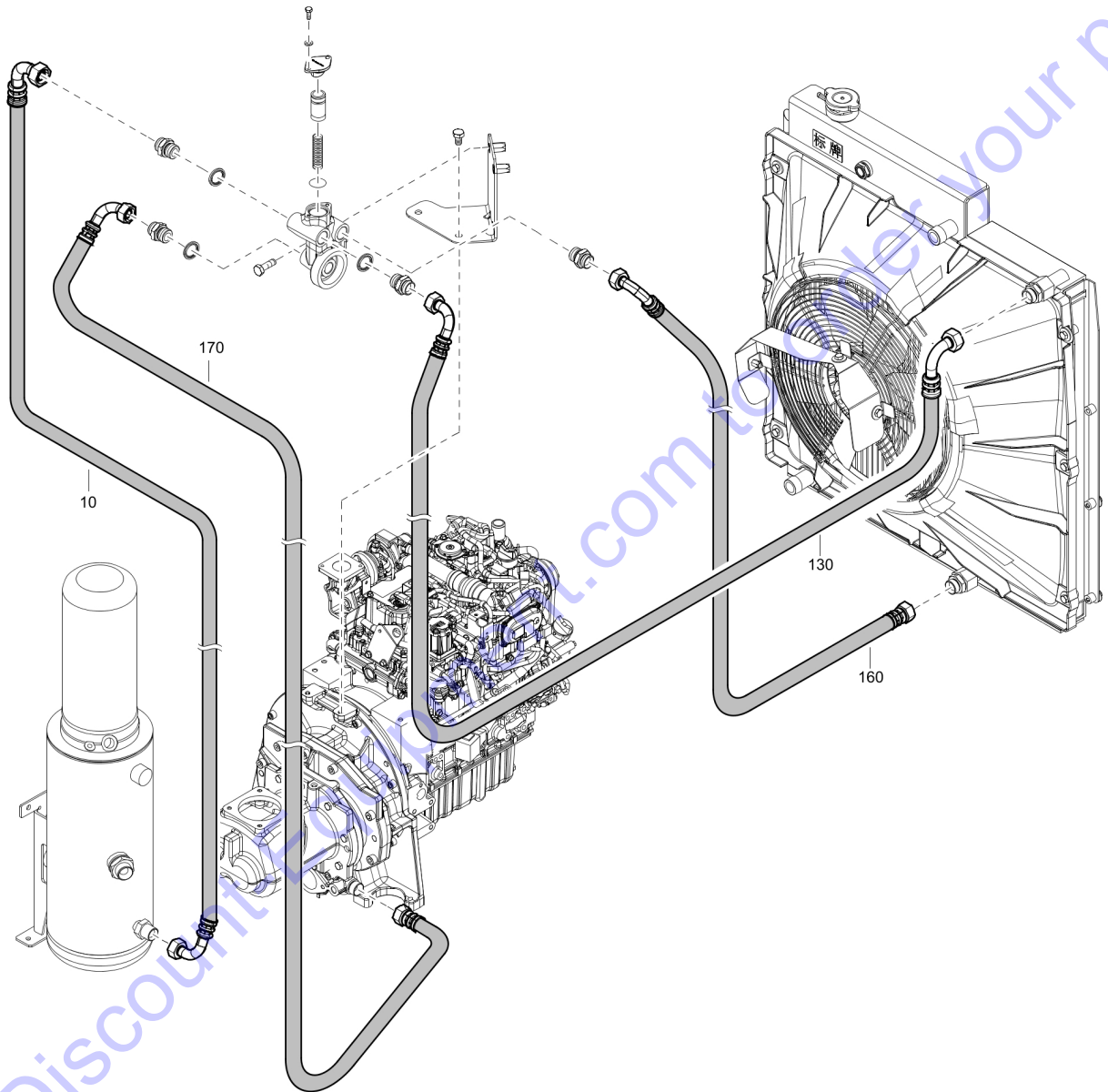
Go to Discount-Equipment.com to order your parts



Id	Qty	Number	Name	Specifications
10	1	1622272820	HOUSING THERM	
20	1	1619759500	THERMOSTAT 70°C	
30	1	0663713200	O-RING	
40	1	1614611800	FLANGE THERMOSTAT	
50	2	0301232100	PLAIN WASHER(A) 6.4 X 12 X 1.6	
60	2	0147124603	HEX. BOLT M6X16X8.8	
100	4	0661103800	SEALING WASHER	
110	4	1079584029	NIPPLE M26 - G3/4"	
200	1	1638825202	SUPPORT MOUNT: ROADLIGHT HARNES	
210	2	0147136403	HEX. BOLT M10X35X8.8	
220	2	0147132203	HEX. BOLT	
230	2	0301233500	PLAIN WASHER(A) 8.4 X 16 X 1.6	

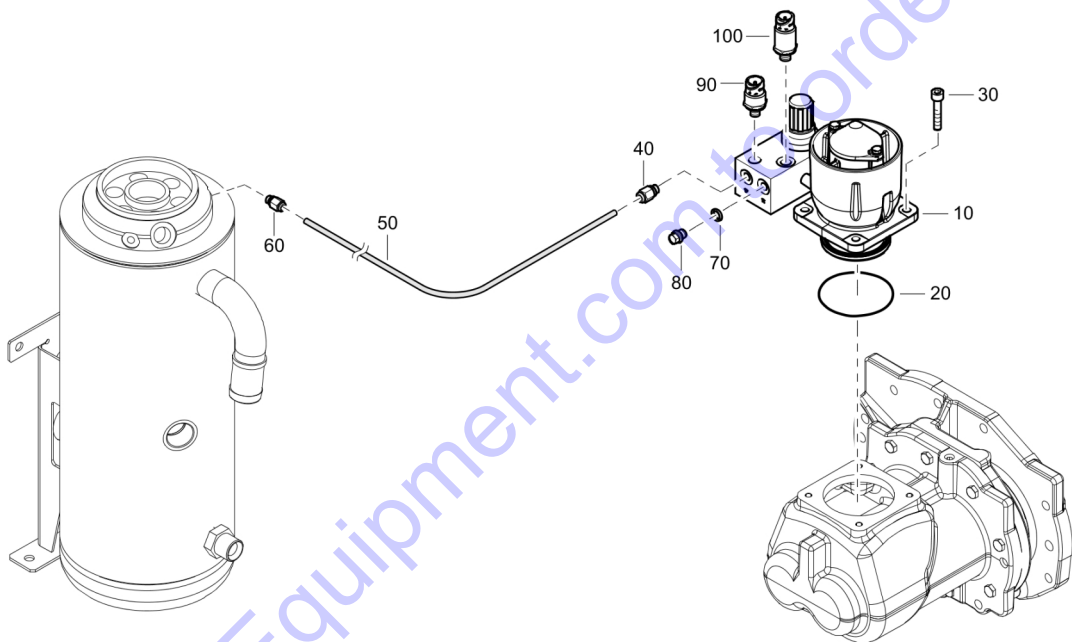
Go to Discount-Equipment.com to order your parts





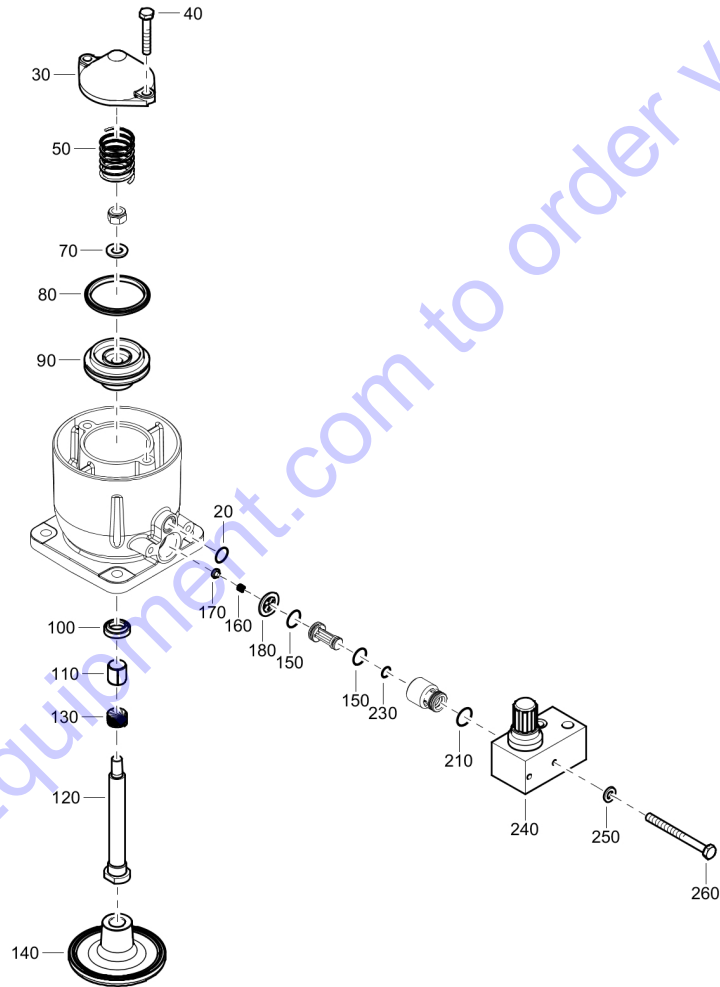
<b>Id</b>	<b>Qty</b>	<b>Number</b>	<b>Name</b>	<b>Specifications</b>
10	1	1638826801	HOSE ASSEMBLY	
130	1	1638826701	HOSE ASSEMBLY	
160	1	1638826601	HOSE ASSEMBLY	
170	1	1638826901	Hose assembly	

Go to Discount-Equipment.com to order your parts



Id	Qty	Number	Name	Specifications
10	1	1638606780	HOUSING VALVE	
20	1	0663210615	O-RING	
30	4	0211132503	HEX SOCK. SCREW M8 X 25	
40	1	0583810057	COUPLING	
50		0070600204	HOSE	
60	1	0583810057	COUPLING	
70	1	0653104300	GASKET	
80	1	0686420103	PLUG 1/8 AA	
90	1	1607852288	PRESSURE SENSOR	
100	1	1607852293	PRESS. SENSOR:0 TO 3 BAR IP67	

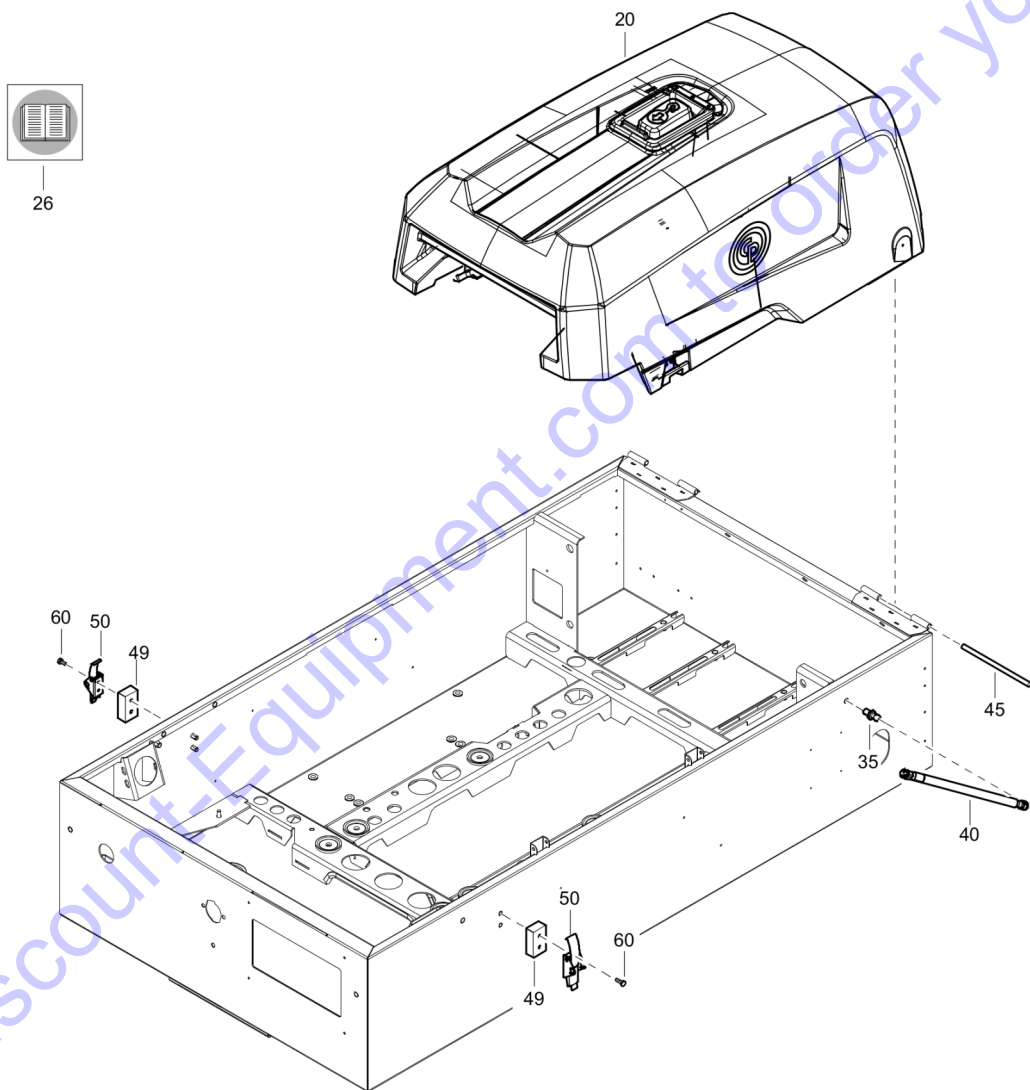
Go to Discount-Equipment.com to order your parts



Go to Discount-Equipment.com to order your parts

Id	Qty	Number	Name	Specifications
20	1	0663611800	O-RING	
30	1	1615766701	COVER	
40	2	0147125112	HEX. HEAD SCREW	
50	1	1615767201	SPRING	
70	1	0301233500	PLAIN WASHER(A) 8.4 X 16 X 1.6	
80	1	0665099954	PISTON SEAL	
90	1	1615875500	PISTON	
100	1	0665911000	WIPER	
110	1	0500451021	PLAIN BEARING	
120	1	1638123200	ROD PISTON	
130	1	1604038801	SPRING	
140	1	1638123302	VALVE REGUL.	
150	2	0663711900	O-RING	
160	1	1626032700	SPRING	
170	1	1604038900	SEAT	
180	1	1615834600	RETAINER	
210	1	0663712000	O-RING	
230	2	0663611400	O-ring	
240	1	1638729180	VALVE	
250	2	0301232100	PLAIN WASHER(A) 6.4 X 12 X 1.6	
260	2	0147125703	BOLT	

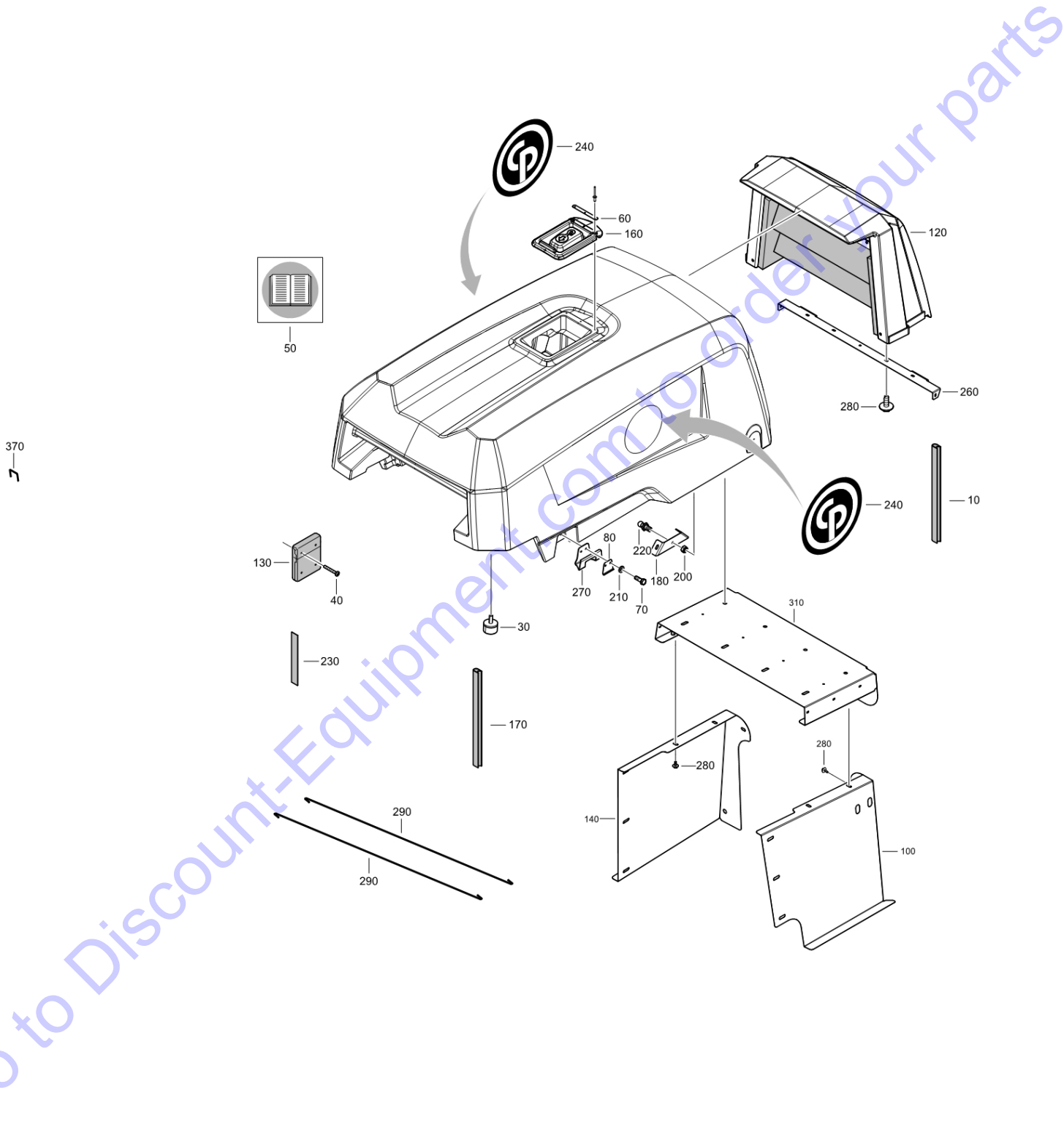
Go to Discount-Equipment.com to order your parts



Id	Qty	Number	Name	Specifications
20	1	1638846581	Hood	
26	1	1079992207	INFORMATION LABEL	
35	2	1626310800	BALL STUD	
40	2	1638173200	SPRING GAS	
45	2	1605002501	ROD CONNECTING	
49	2	1638278200	BLOCK MOUNTING	
50	2	1604627600	LATCH	
60	4	0147125103	HEXAGON BOLT	

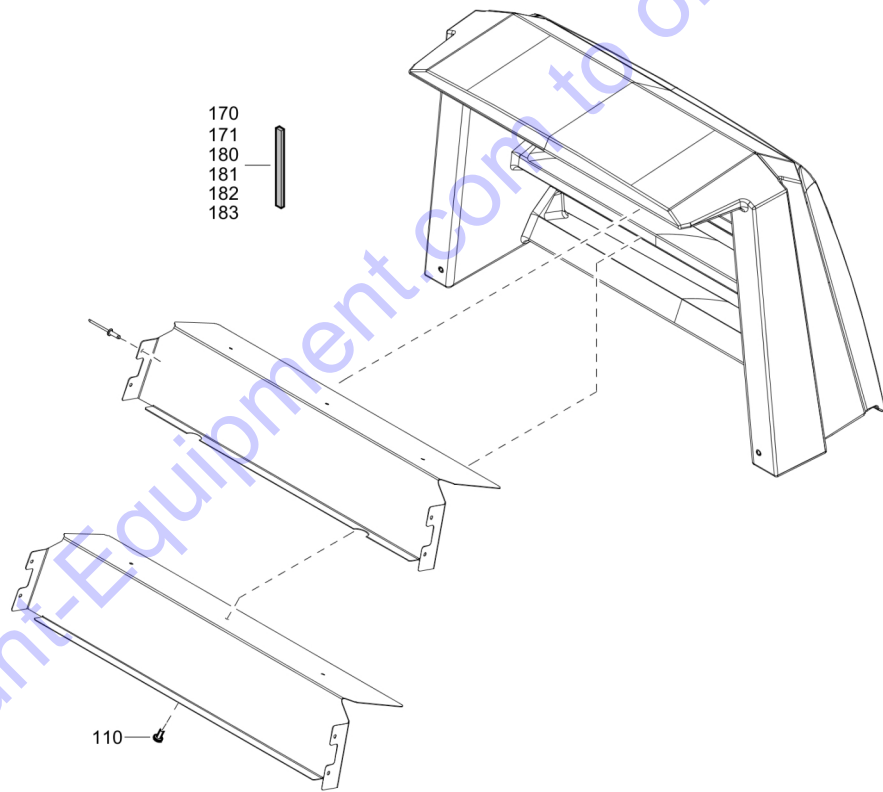
Go to Discount-Equipment.com to order your parts





Id	Qty	Number	Name	Specifications
10	2	1604431700	SEAL	
30	2	1604186900	BUFFER	
40	4	0226004709	SCREW	
50	1	1079992207	INFORMATION LABEL	
60	1	1638343600	BRACKET	
70	4	0147124403	SCREW:M 6X 12;HEX HD,ZN PLT,\$S	
80	2	1638246700	CATCH	
100	1	1638206801	PLATE COVER	
120	1	1638186182	BAFFLE	
130	1	1604220600	HOLDER	
140	1	1638206701	PLATE COVER	
160	1	1638339900	COVER PROTECT.	
170	1	1626425600	SEAL	
180	2	1638168001	PLATE BACK	
200	2	0291111000	LOCK NUT M8	
210	4	0301232100	PLAIN WASHER(A) 6.4 X 12 X 1.6	
220	2	1626310800	BALL STUD	
230	3	1626414500	SEAL	
240	2	1626537307	LABEL CP LOGO 8.5"	
260	1	1638191601	HINGE	
270	2	1638227900	HANDLE	
280	33	1615566400	BOLT-SCRAPER:M8X25, 8.8 FZB	
290	2	1638259501	GUARD	
310	1	1638206601	PLATE COVER	

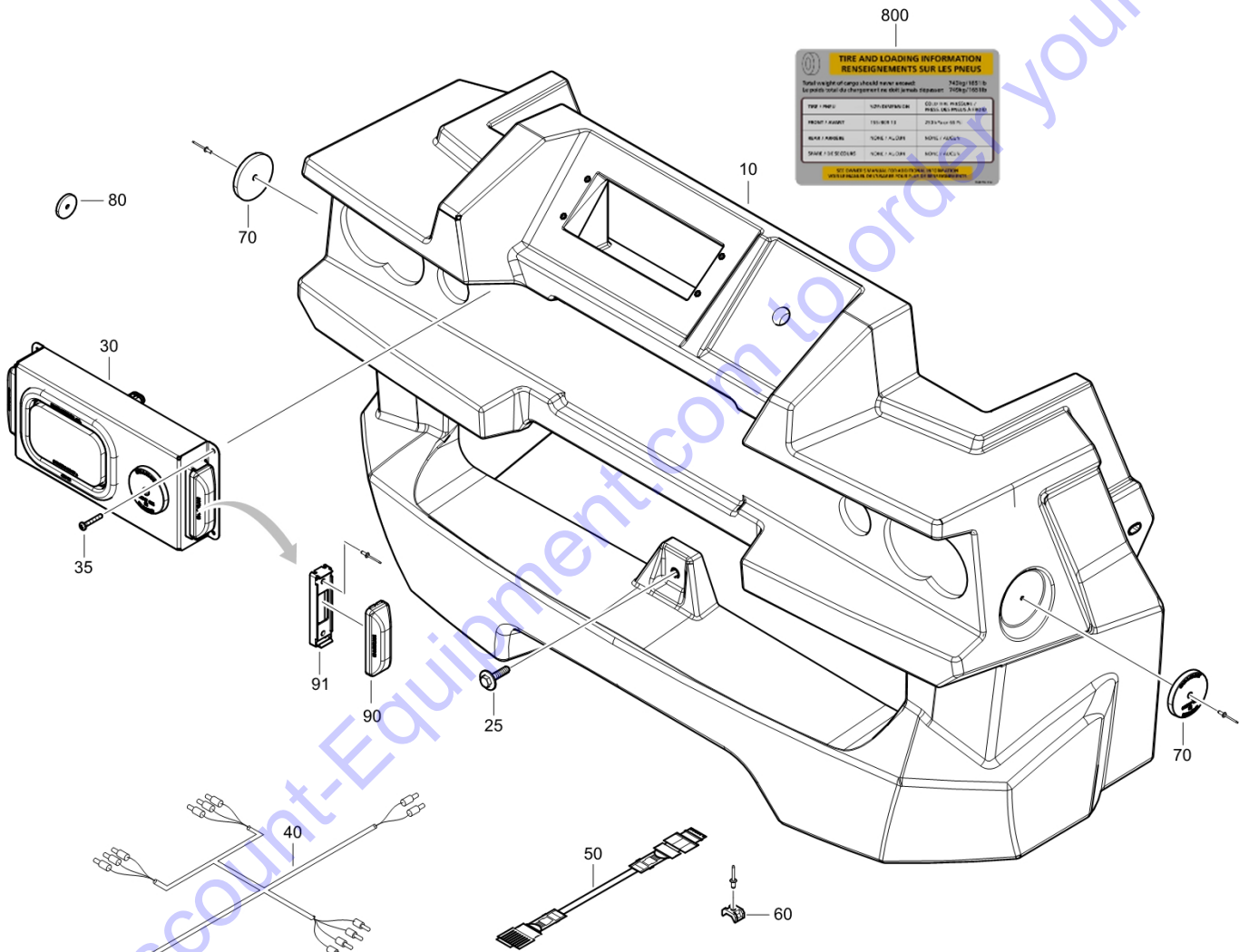
Go to Discount-Equipment.com to order your parts



Go to Discount-Equipment.com to order your parts

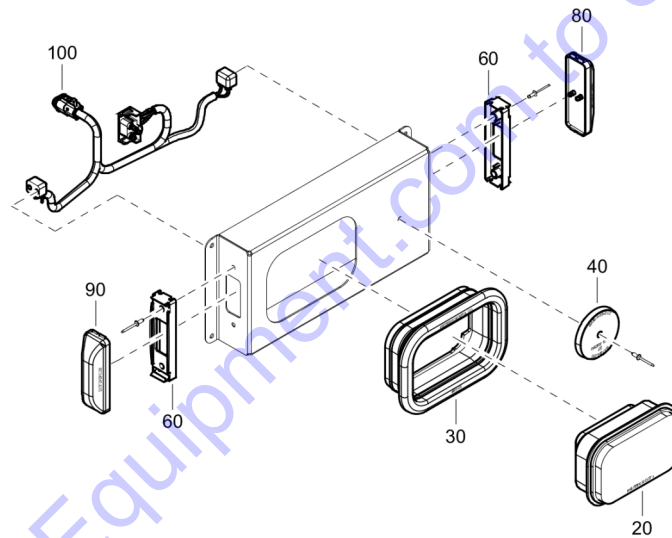
Id	Qty	Number	Name	Specifications
110	6	0226333003	SCREW CAP	
170		1638103000	SEAL	
171		1638103000	SEAL	
180		1619556200	SEAL	
181		1619556200	SEAL	
182		1619556200	SEAL	
183		1619556200	SEAL	

Go to Discount-Equipment.com to order your parts



Id	Qty	Number	Name	Specifications
10	1	1638846780	BUMPER	
25	5	1604646600	BOLT	
30	2	1638296380	LIGHT	
35	8	0226004709	SCREW	
40	1	1638313304	WIRE HARNESS	
50	2	1638313201	WIRING DOT	
60	3	0348011003	PLATE ANCHOR	
70	2	1638315800	REFLECTOR	
80	2	1615552000	REFLECTOR	
90	2	1638295900	LAMP	
91	2	1638315700	HOLDER LAMP	
800	1	1638937303	LABEL	

Go to Discount-Equipment.com to order your parts

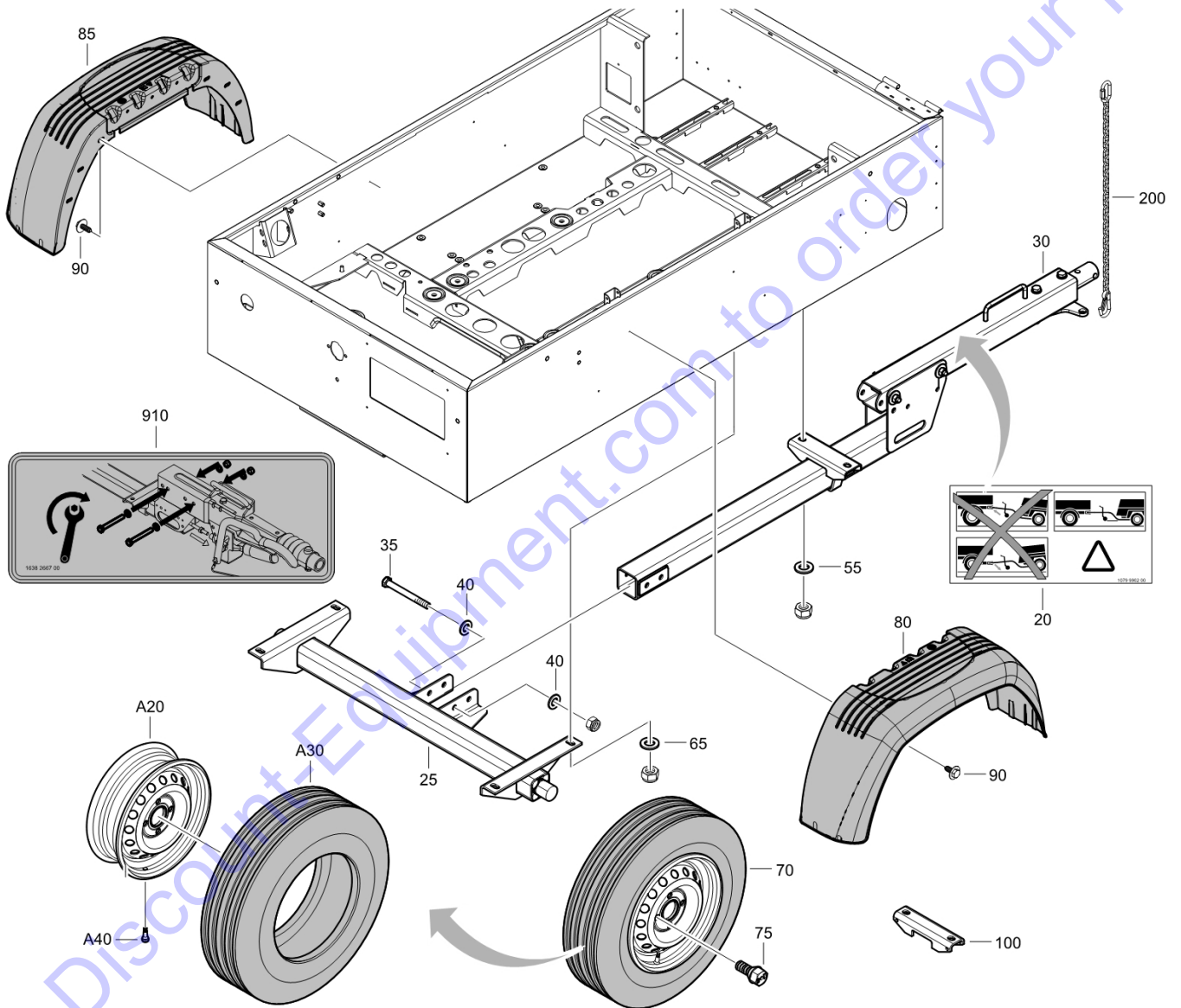


Go to Discount-Equipment.com to order your parts

Id	Qty	Number	Name	Specifications
20	2	1638296000	LAMP	
30	2	1638296100	GROMMET	
40	2	1638315800	REFLECTOR	
60	4	1638315700	HOLDER LAMP	
80	2	1638296200	LAMP	
90	2	1638315600	LAMP	
100	2	1638313100	WIRING	

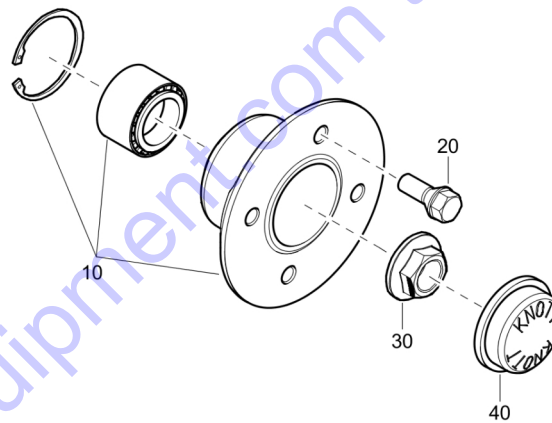
Go to Discount-Equipment.com to order your parts





Id	Qty	Number	Name	Specifications
20	1	1079990200	WARNING LABEL	
25	1	1638401701	AXLE	
30	1	1638401101	TOWBAR	
35	2	0147141803	HEX. HEAD SCREW	
40	4	0301235800	PLAIN WASHER(A)	13 X 24 X 2.5
55	2	0301235800	PLAIN WASHER(A)	13 X 24 X 2.5
65	4	0301235800	PLAIN WASHER(A)	13 X 24 X 2.5
70	2	1615924288	TYRE ASSY	
A20	2	1604033200	DISC WHEEL	
A30	2	0538040020	TIRE	
A40	2	1615632200	VENTIL	
75	8	1626602900	BOLT HEXAGON	
80	1	1626949700	MUDGUARD	
85	1	1626949700	MUDGUARD	
90	8	1619276500	SCREW	
100	8	0686925402	PROTECTION CAP	
200	2	1638503500	CHAIN	
910	1	1638266700	DECAL INSTRUCT.	

Go to Discount-Equipment.com to order your parts

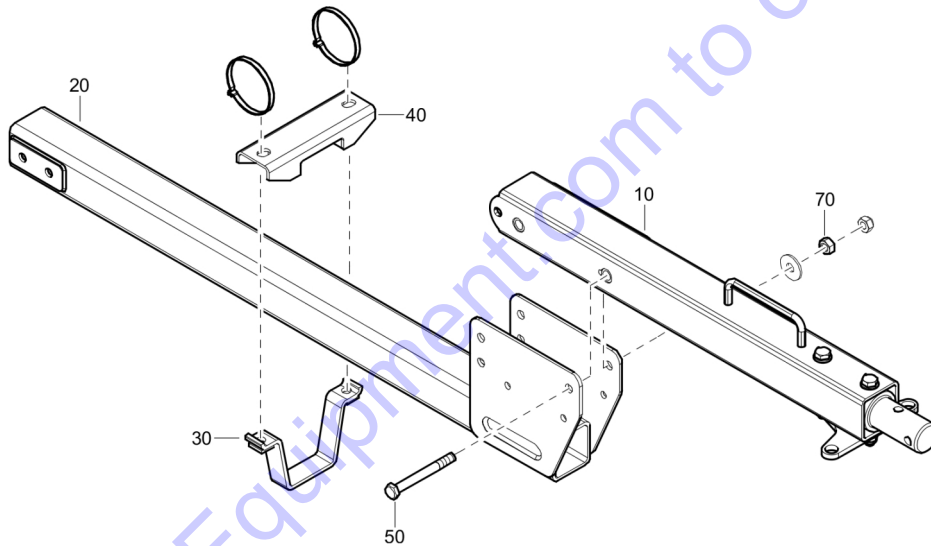


Go to Discount-Equipment.com to order your parts

<b>Id</b>	<b>Qty</b>	<b>Number</b>	<b>Name</b>	<b>Specifications</b>
10	1	2914061500	BEARING KIT	
20	4	2914049300	WHEEL BOLT CONICAL 60	
30	1	2914102602	NUT	
40	1	2914061300	HUB CAP	

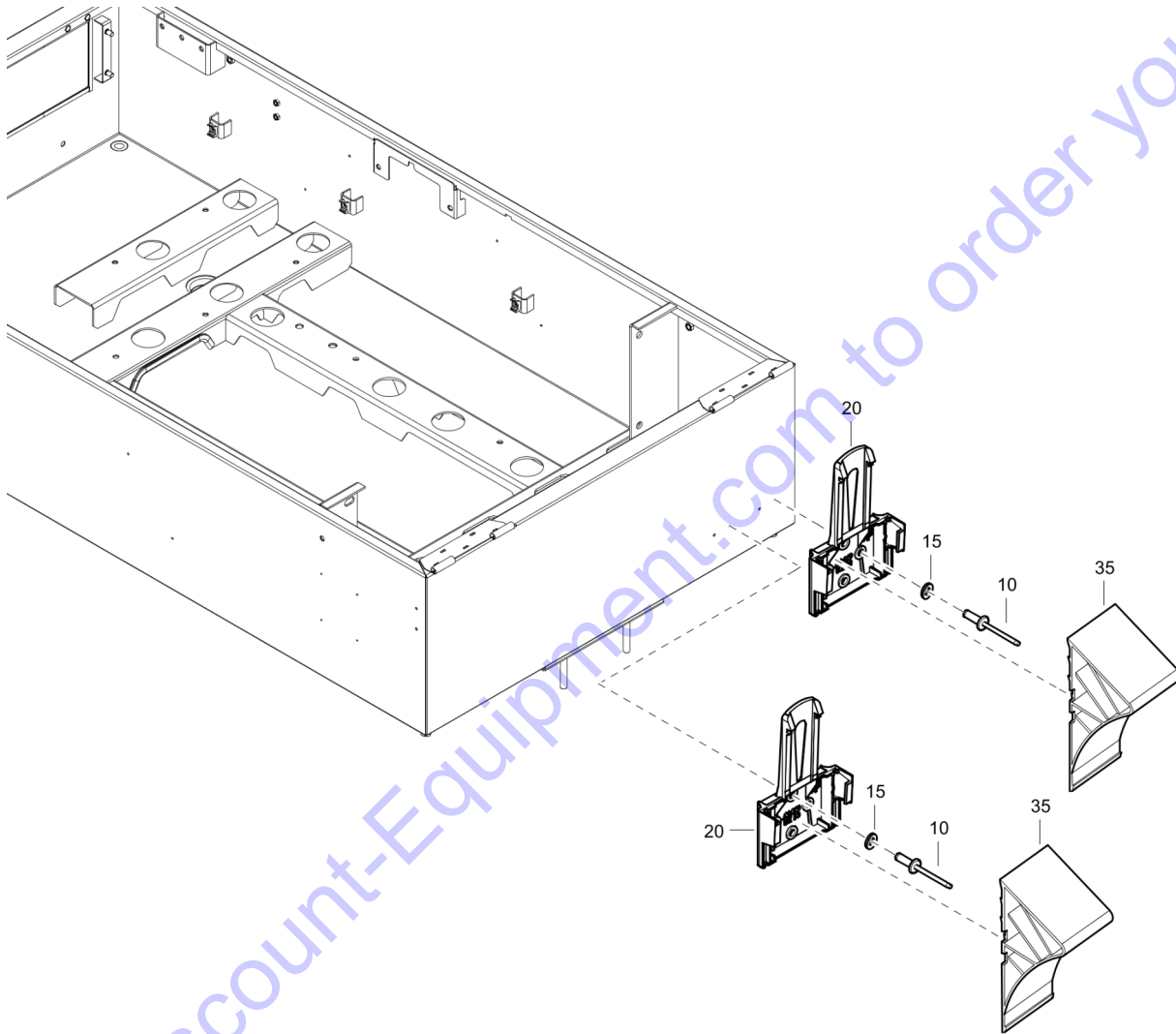
Go to Discount-Equipment.com to order your parts

Overrun device:	KV 13	Vers.:	C
EG-protocol-No.:			
ECE-protocol-No.:	361-090-12		
Drawbar Type:	KVA 8.5 Z	Vers.:	B
Load capacity min.:		max:	850 kg
Max vert. Load S:	150 kg	Do/D:	8.12 kN
Type Appr. No.:	e1	55R-011862	Classed:



Id	Qty	Number	Name	Specifications
10	1	2914105200	TOWBAR FRONT	
20	1	2914105300	TOWBAR REAR	
30	1	2914102801	BRACKET CLAMP	
40	1	2914102807	CLAMP	
50	2	0147141703	HEXAGON BOLT	
70	2	2914257800	NUT	

Go to Discount-Equipment.com to order your parts



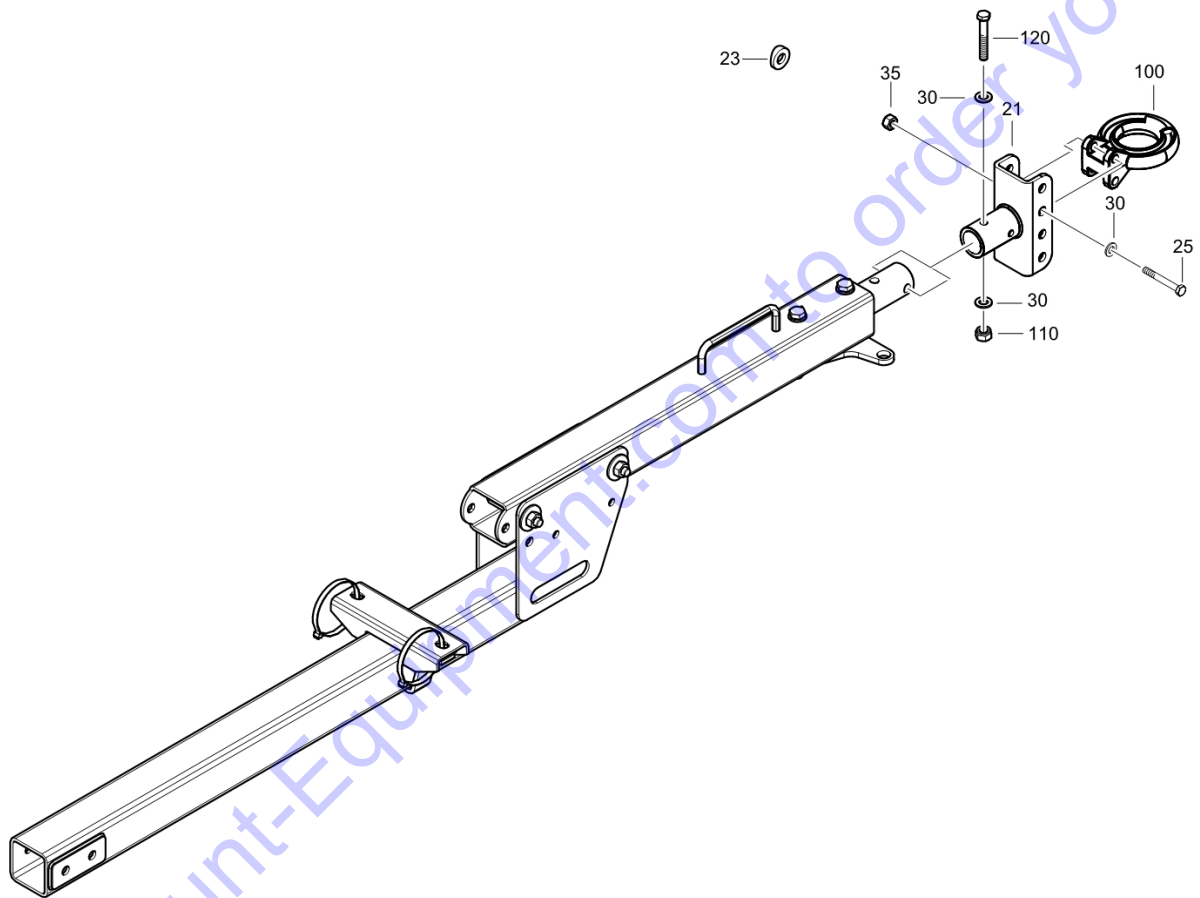
Go to Discount-Equipment.com to order your parts

<b>Id</b>	<b>Qty</b>	<b>Number</b>	<b>Name</b>	<b>Specifications</b>
10	4	0129317700	BLIND RIVET	
15	4	0301232100	PLAIN WASHER(A) 6.4 X 12 X 1.6	
20	2	1613544001	BRACKET	
35	2	1613543901	WHEELCHOCK	

Go to Discount-Equipment.com to order your parts

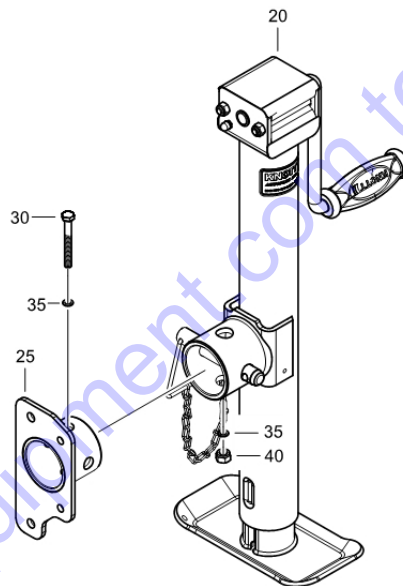


Go to [Discount-Equipment.com](https://Discount-Equipment.com) to order your parts



Id	Qty	Number	Name	Specifications
21	1	1638413100	BRACKET	
23	4	1202984500	WASHER	
25	2	1202984405	BOLT	
30	4	0301235800	PLAIN WASHER(A)	13 X 24 X 2.5
35	2	0291118513	LOCKNUT	
100	1	1638418500	EYE TOWING	
110	2	1638431000	NUT HEXAGON	
120	2	1638430900	BOLT HEXAGON	

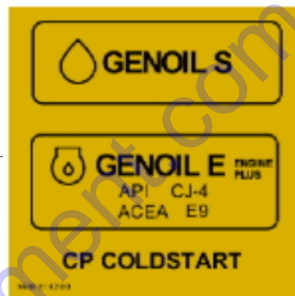
Go to Discount-Equipment.com to order your parts



Id	Qty	Number	Name	Specifications
20	1	1638905700	SUPPORT LEG	
25	1	1638907601	PLATE ANCHOR	
30	2	0147136303	SCREW:M10X 30;HEX HD,ZN PLT,\$S	
35	2	0301234400	PLAIN WASHER M10	
40	2	0291111100	LOCK NUT M10	

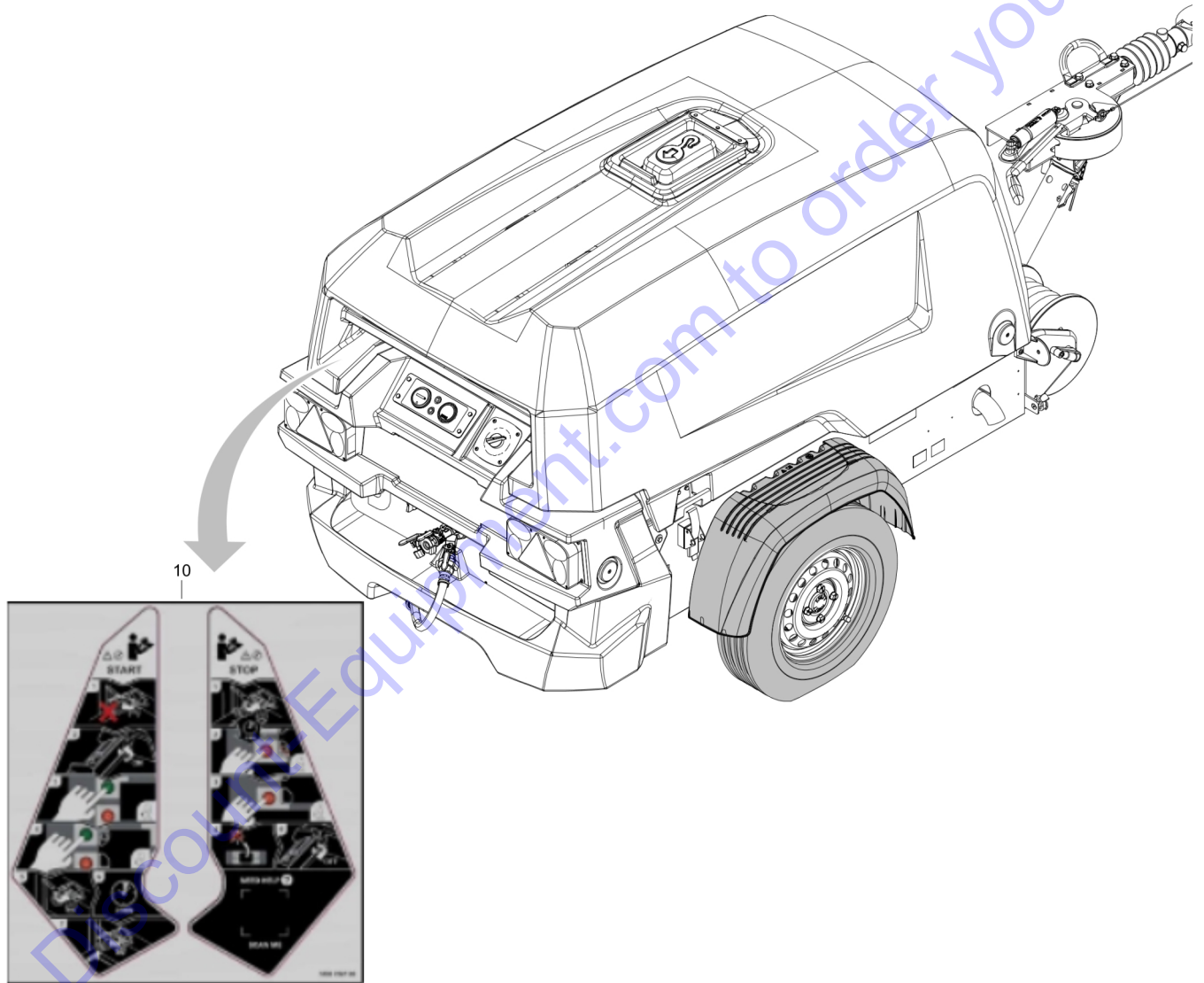
Go to Discount-Equipment.com to order your parts

220



<b>Id</b>	<b>Qty</b>	<b>Number</b>	<b>Name</b>	<b>Specifications</b>
220	1	1638514200	DECAL SYMBOLS	

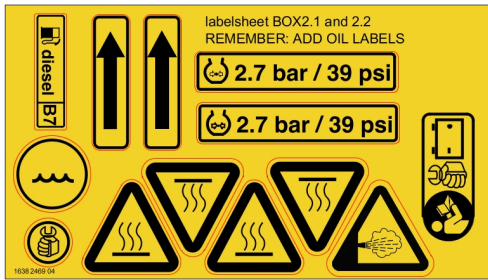
Go to Discount-Equipment.com to order your parts



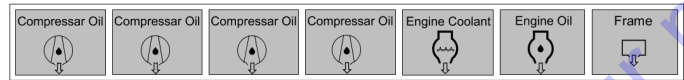


<b>Id</b>	<b>Qty</b>	<b>Number</b>	<b>Name</b>	<b>Specifications</b>
10	1	1638729700	DECAL	

Go to Discount-Equipment.com to order your parts



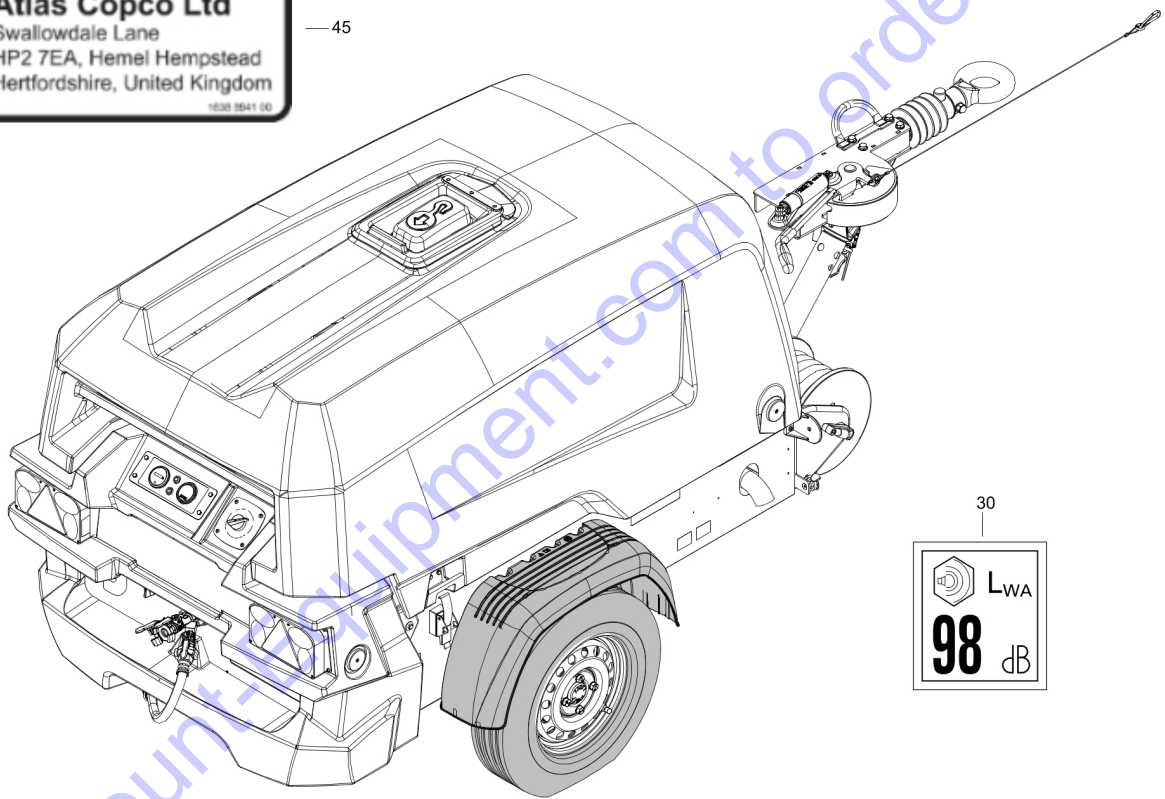
20



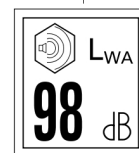
70



45



30



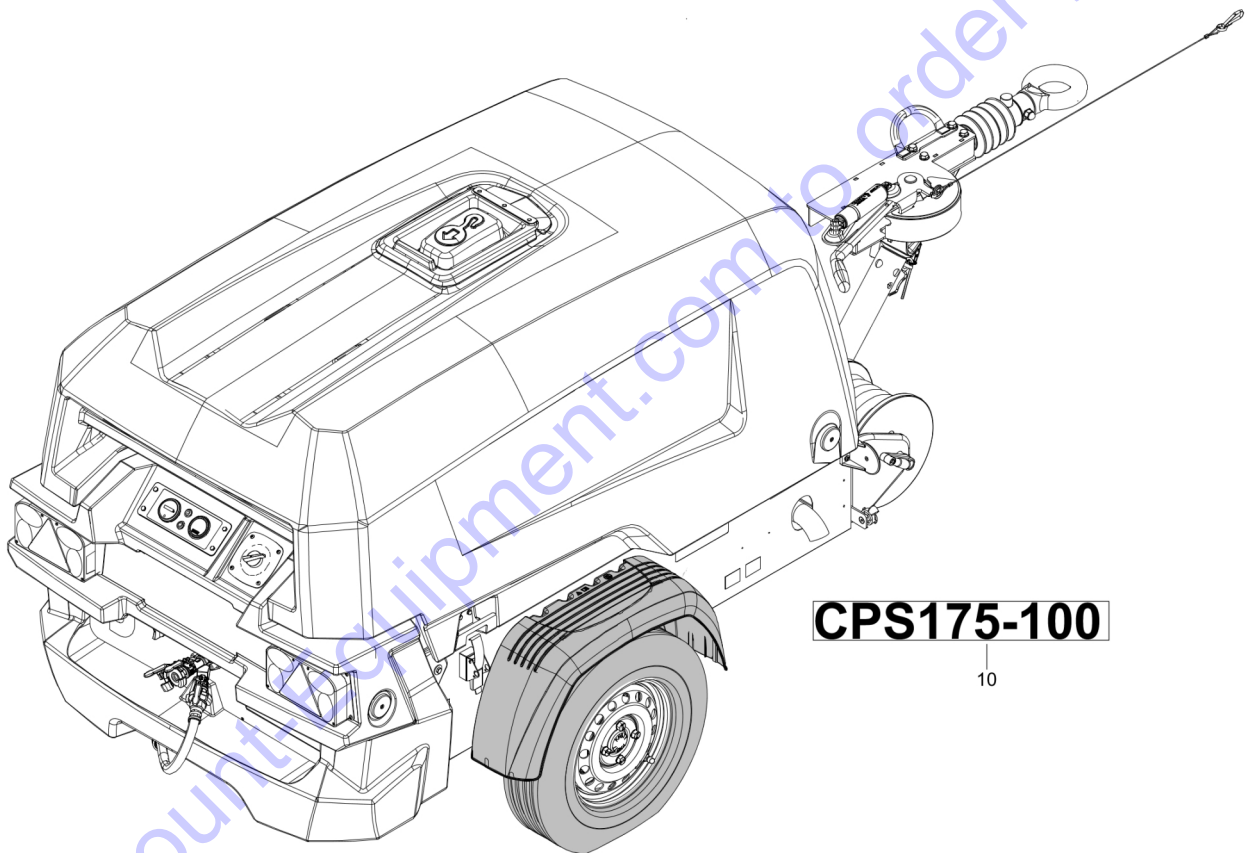
60



10

Id	Qty	Number	Name	Specifications
10	1	1638247300	DECAL WARNING	
20	1	1638246904	DECAL SYMBOLS	
30	1	1604331709	LABEL NOISE 98	
45	1	1638894100	LABEL	
60	1	1638766800	TIE DOWN MARKTING	
70	1	1638701600	DECAL	

Go to Discount-Equipment.com to order your parts

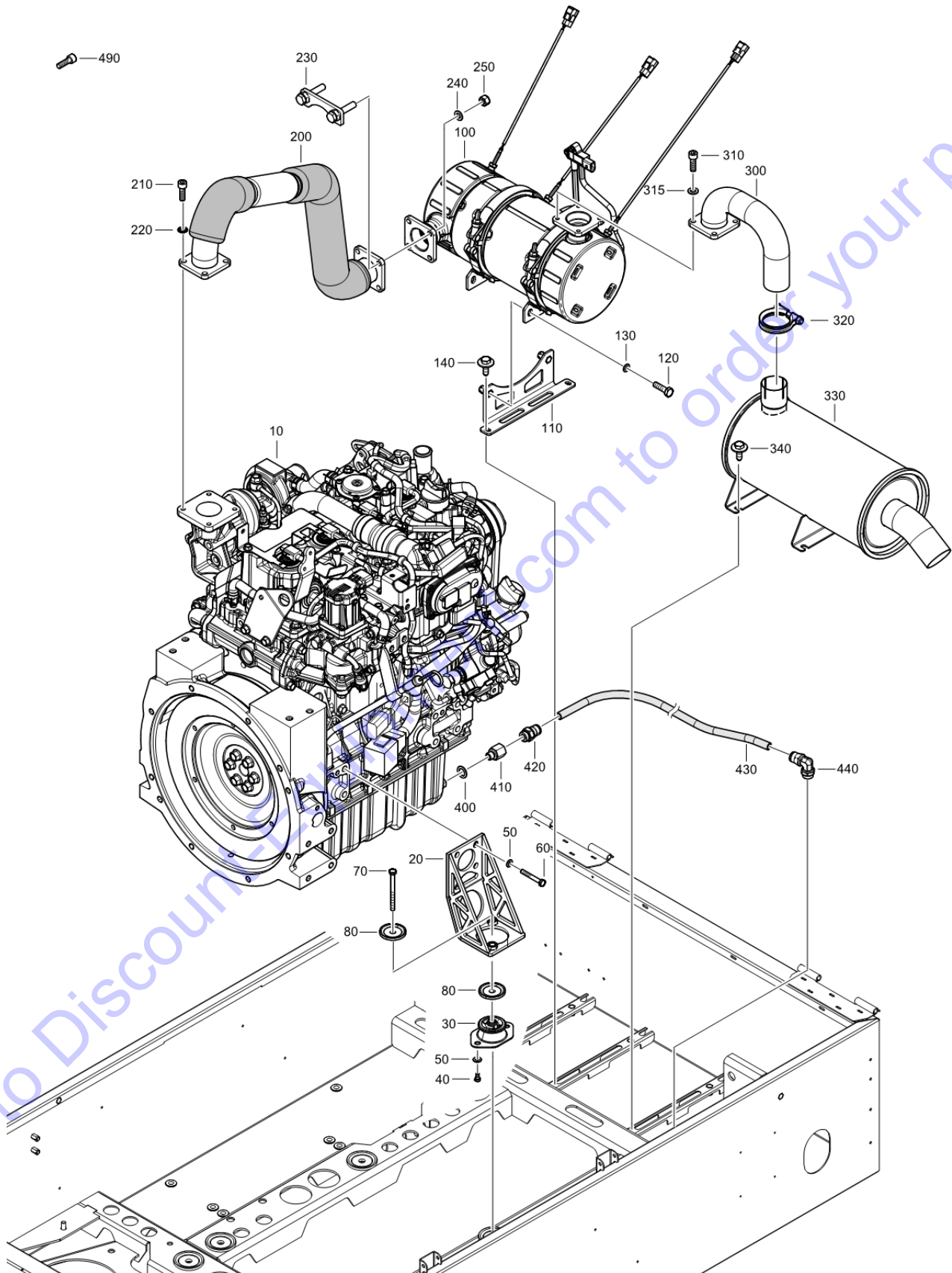


**CPS175-100**

10

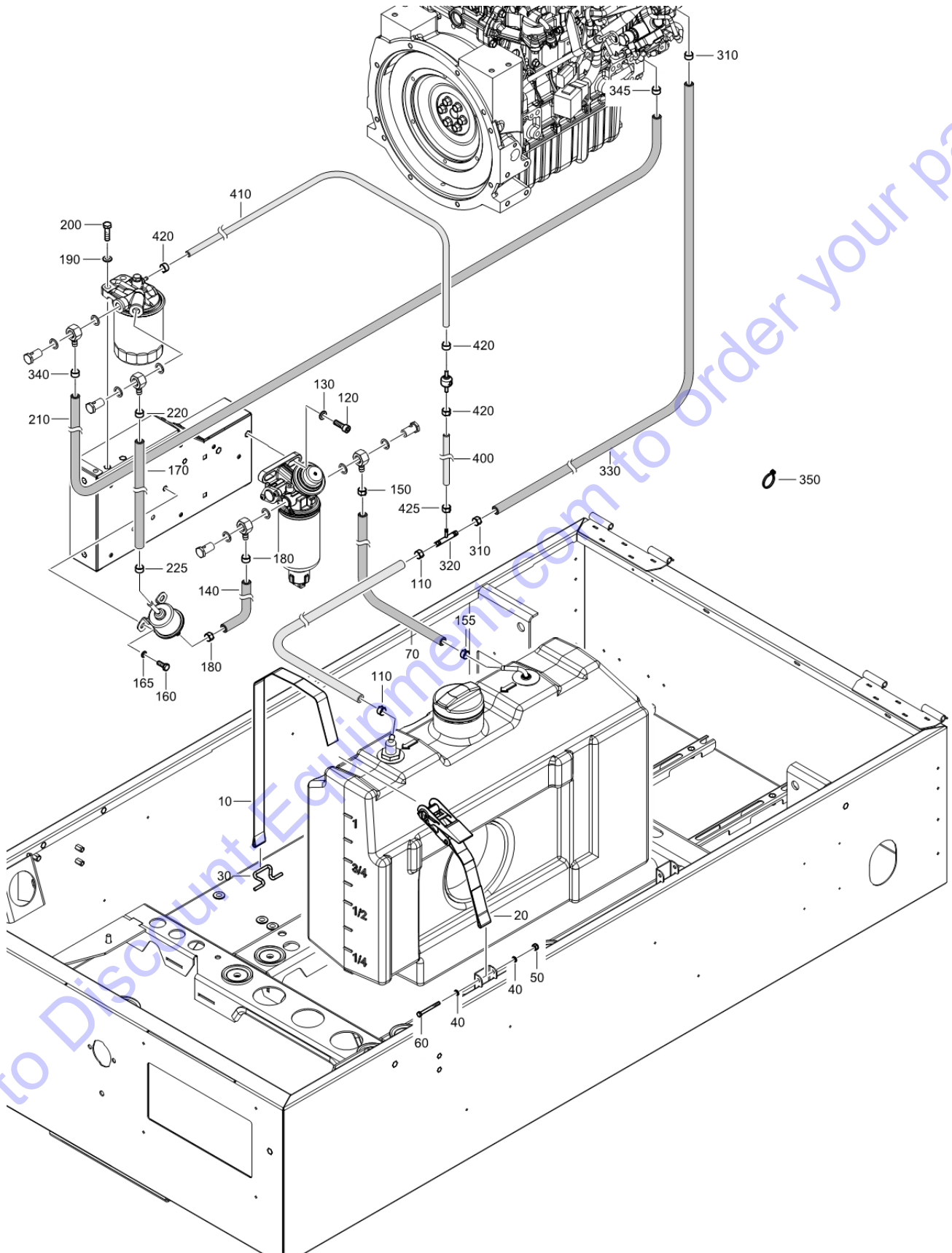
<b>Id</b>	<b>Qty</b>	<b>Number</b>	<b>Name</b>	<b>Specifications</b>
10	1	1638909400	DECAL UNIT	

Go to [Discount-Equipment.com](https://Discount-Equipment.com) to order your parts



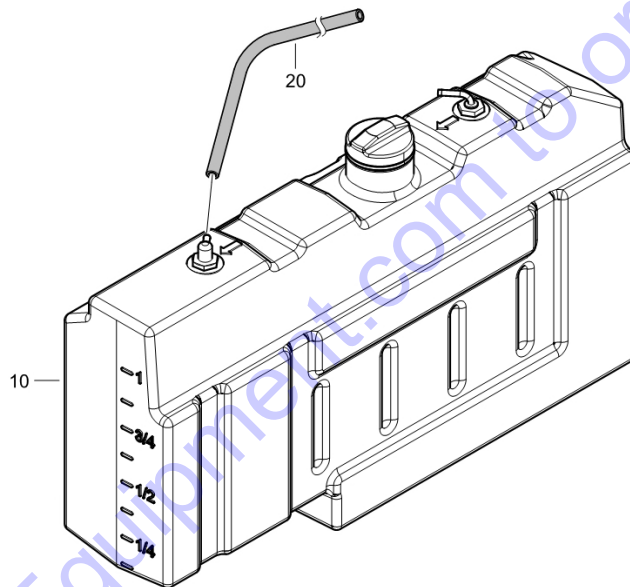
<b>Id</b>	<b>Qty</b>	<b>Number</b>	<b>Name</b>	<b>Specifications</b>
10	1	1638439400	ENGINE	
20	2	1638439300	SUPPORT	
30	2	1202900601	PAD ANTI VIBR.	
40	4	0211110614	HEX SOCK. SCREW	
50	8	0301234400	PLAIN WASHER M10	
60	8	0211196122	HEX SOCK. SCREW	
70	2	0211110607	HEX SOCK. SCREW	
80	2	1202871900	WASHER PLAIN	
110	2	1638585100	BRACKET	
120	4	0147136303	SCREW:M10X 30;HEX HD,ZN PLT,\$S	
130	4	0301234400	PLAIN WASHER M10	
140	4	1615566400	BOLT-SCRAPER:M8X25, 8.8 FZB	
200	1	1638533600	EXHAUST	
210	4	0211196281	SCREW	
220	4	0333210836	WASHER PLAIN	
230	2	1638219380	SUPPORT	
240	4	0301233500	PLAIN WASHER(A) 8.4 X 16 X 1.6	
250	4	0291118504	LOCKNUT	
300	1	1638585200	PIPE	
310	4	0211132503	HEX SOCK. SCREW M8 X 25	
315	4	0301233500	PLAIN WASHER(A) 8.4 X 16 X 1.6	
320	1	0346300108	Pipe clamp	
330	1	1638286501	MUFFLER	
340	4	1615566400	BOLT-SCRAPER:M8X25, 8.8 FZB	
400	1	0653106200	GASKET 13 X 20 X 1.5	
410	1	1638747900	FITTING	
420	1	0583810167	COUPLING	
430	0.43	0070600206	TUBE	
440	1	0583812088	COUPLING	
490	4	0211132503	HEX SOCK. SCREW M8 X 25	





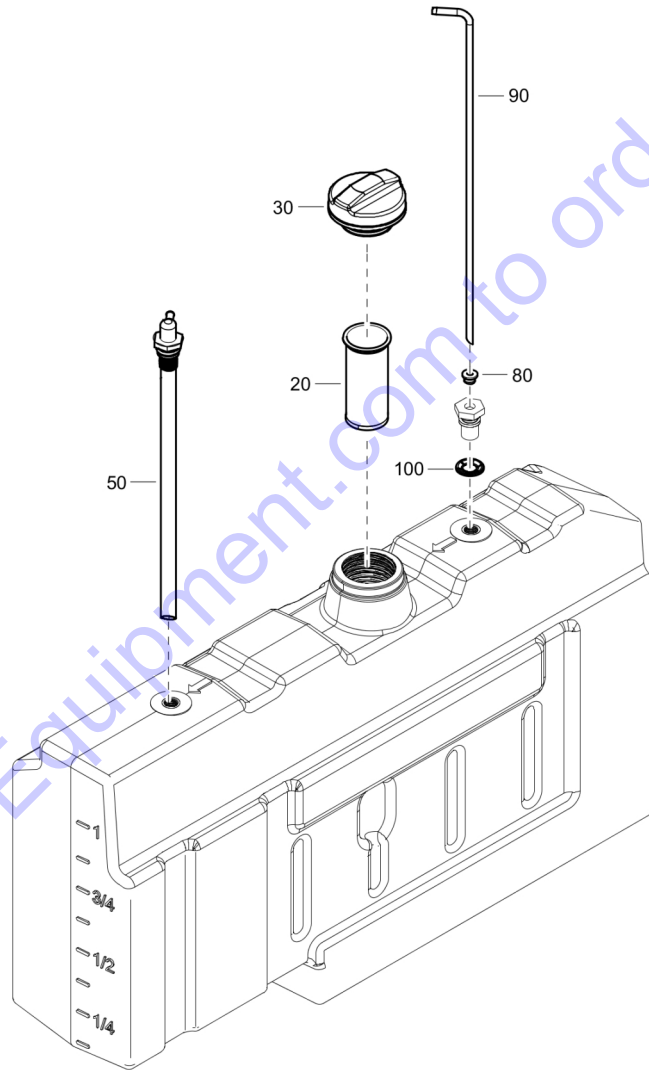


<b>Id</b>	<b>Qty</b>	<b>Number</b>	<b>Name</b>	<b>Specifications</b>
10	2	1616461501	STRAP	
20	2	1638293400	BELT FLAT	
30	2	1626360700	RETAINER	
40	4	0301232100	PLAIN WASHER(A)	6.4 X 12 X 1.6
50	2	0291110800	LOCKNUT:M6,NYL,\$STL	
60	2	0147125403	PARAF.SEXT. M6X50MM FZB	
70	1	0075402599	HOSE	
110	2	1604413700	HOSE CLIP	
120	2	0211132503	HEX SOCK. SCREW M8 X 25	
130	2	0301233500	PLAIN WASHER(A)	8.4 X 16 X 1.6
140	1	0075402599	HOSE	
150	1	1604413700	HOSE CLIP	
155	1	1604413700	HOSE CLIP	
160	2	0147124603	HEX. BOLT M6X16X8.8	
165	2	0301232100	PLAIN WASHER(A)	6.4 X 12 X 1.6
170	1	0075402599	HOSE	
180	2	1604413700	HOSE CLIP	
190	2	0301233500	PLAIN WASHER(A)	8.4 X 16 X 1.6
200	2	0147132603	SCREW:M 8X 30;HEX HD,ZN PLT,\$S	
210	1	0075402599	HOSE	
220	1	1604413700	HOSE CLIP	
225	1	1604413700	HOSE CLIP	
310	2	1604413700	HOSE CLIP	
320	1	0571001015	NIPPLE	
330	1	0075402599	HOSE	
340	1	1604413700	HOSE CLIP	
345	1	1604413700	HOSE CLIP	
350	2	0348010124	TIE	
400	1	0075402543	TUBE	
410	1	0075402543	TUBE	
420	3	0347012207	CLAMP HOSE	
425	1	0347012207	CLAMP HOSE	



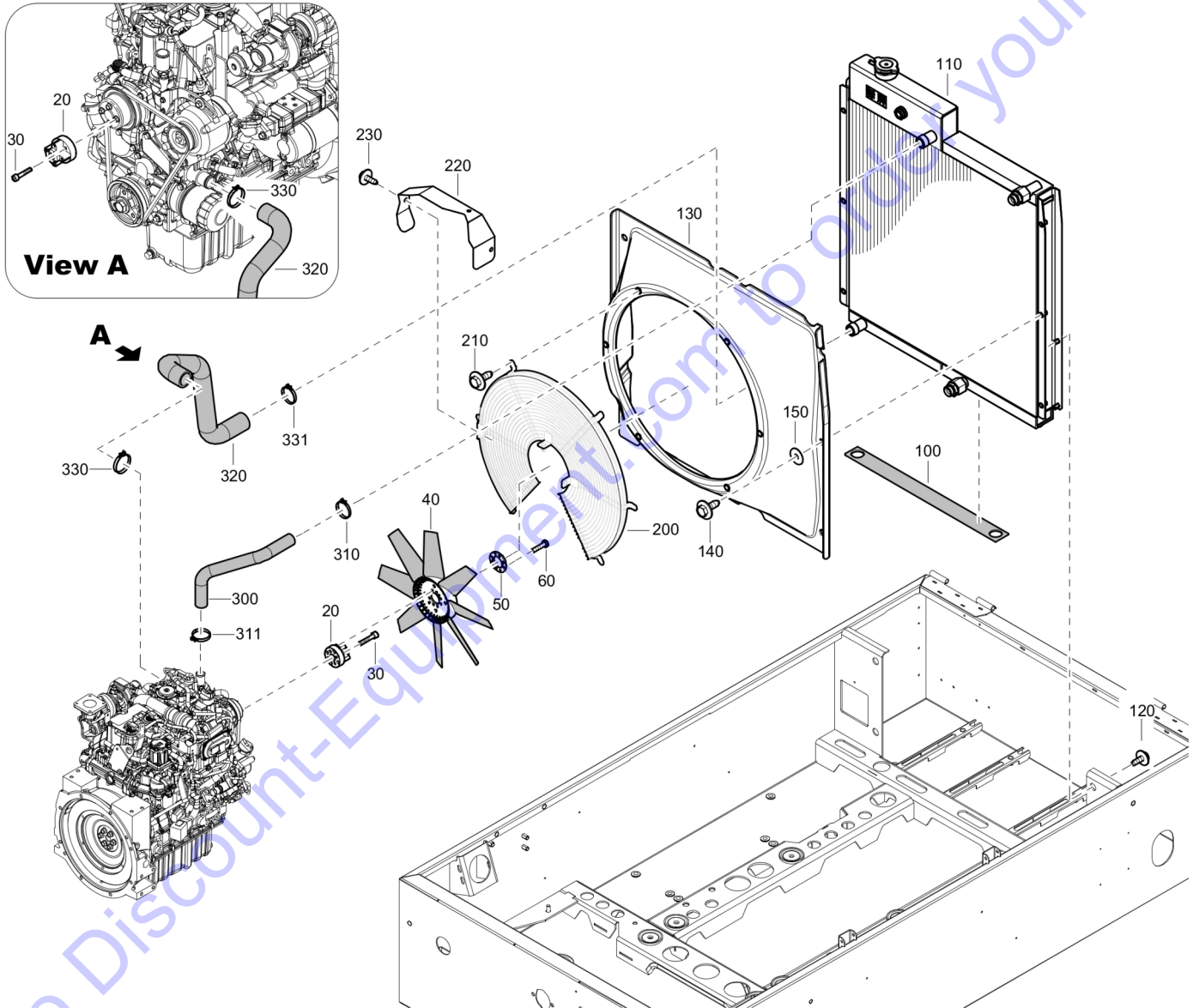
<b>Id</b>	<b>Qty</b>	<b>Number</b>	<b>Name</b>	<b>Specifications</b>
10	1	1638116483	TANK FUEL	
20	1	0075402599	HOSE	

Go to Discount-Equipment.com to order your parts



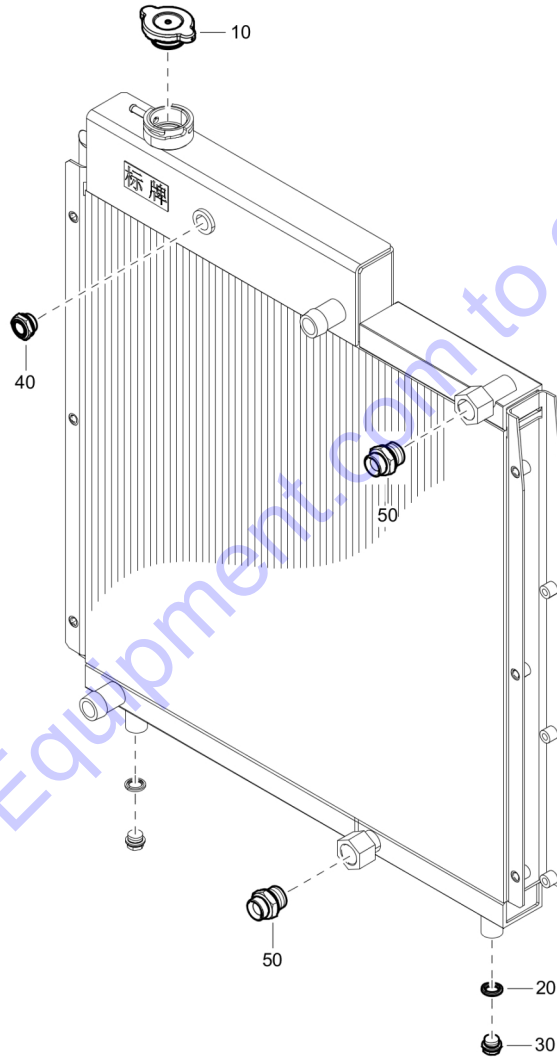
Id	Qty	Number	Name	Specifications
20	1	1626958300	STRAINER	
30	1	1626959000	Cap fuel	
50	1	1638144800	NIPPLE HEXAGON	
80	1	1615851600	GROMMET	
90		1638144901	TUBE -	
100	1	0335300009	RING	

Go to Discount-Equipment.com to order your parts



<b>Id</b>	<b>Qty</b>	<b>Number</b>	<b>Name</b>	<b>Specifications</b>
20	1	1626291503	ADAPTER FAN	
30	4	0211125000	HEX SOCKET SCREW	
40	1	1604585400	FAN	
50	1	1615769000	RING	
60	4	0147196402	HEX. HEAD SCREW	
100	1	1638606500	STRIP	
110	1	1638606481	COOLER	
120	4	1615566400	BOLT-SCRAPER:M8X25, 8.8 FZB	
130	1	1638214003	COWL FAN	
140	6	1615566400	BOLT-SCRAPER:M8X25, 8.8 FZB	
150	1	1607852396	PLAIN WASHER	
200	1	1638268401	FAN GRATING	
210	6	1615566400	BOLT-SCRAPER:M8X25, 8.8 FZB	
220	1	1638329601	PROTECTION	
230	3	1615566400	BOLT-SCRAPER:M8X25, 8.8 FZB	
300		1638532501	HOSE	
310	1	0347610900	CLAMP	
311	1	0347610900	CLAMP	
320		1638810400	HOSE	
330	1	0347610900	CLAMP	
331	1	0347610900	CLAMP	

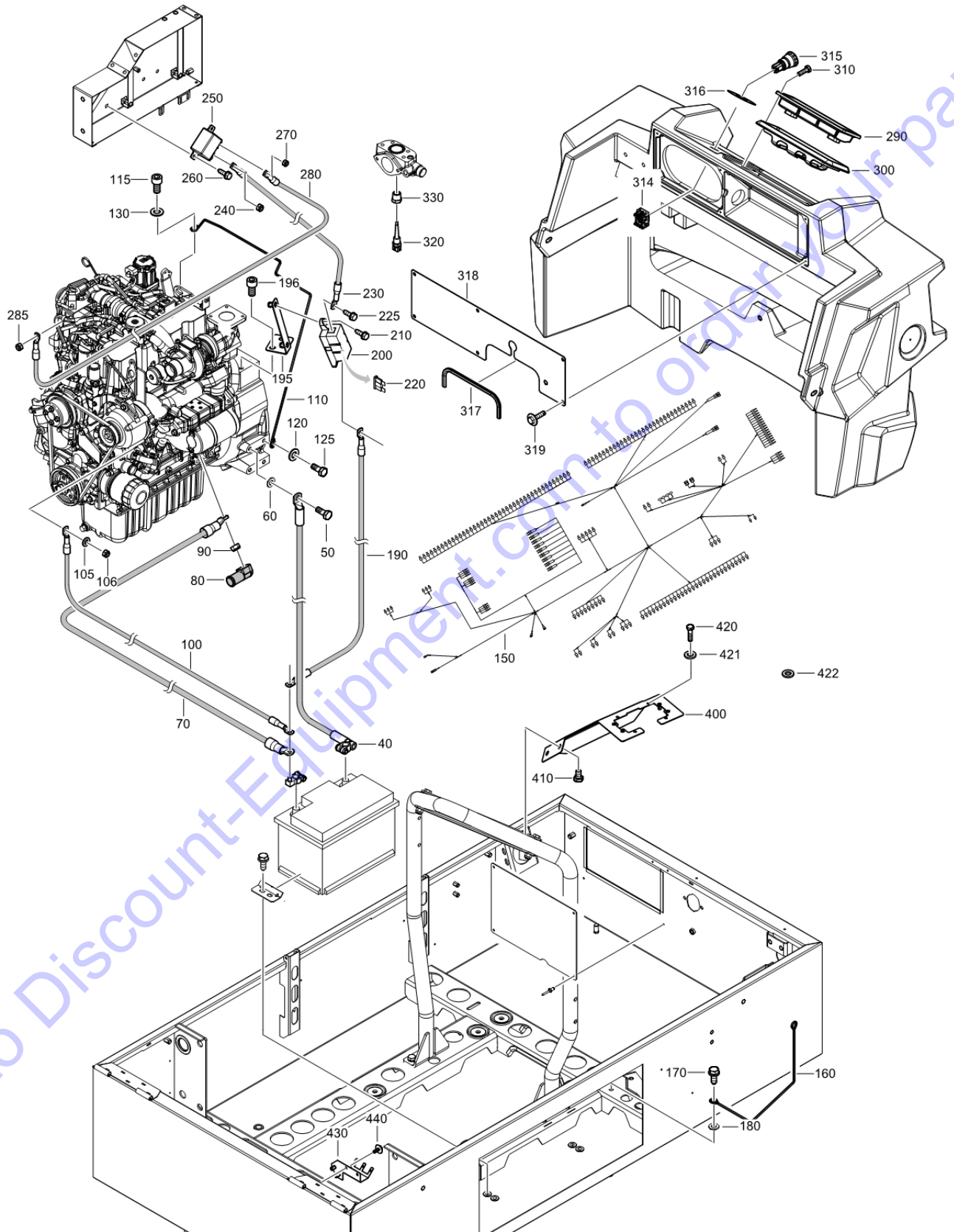
Go to Discount-Equipment.com to order your parts





<b>Id</b>	<b>Qty</b>	<b>Number</b>	<b>Name</b>	<b>Specifications</b>
10	1	1626410200	CAP	
20	1	0661103000	SEAL WASHER	
30	1	0686371816	PLUG G 3/8 A	
40	1	2911993200	SIGHT GLASS	
50	2	1619550900	NIPPLE	

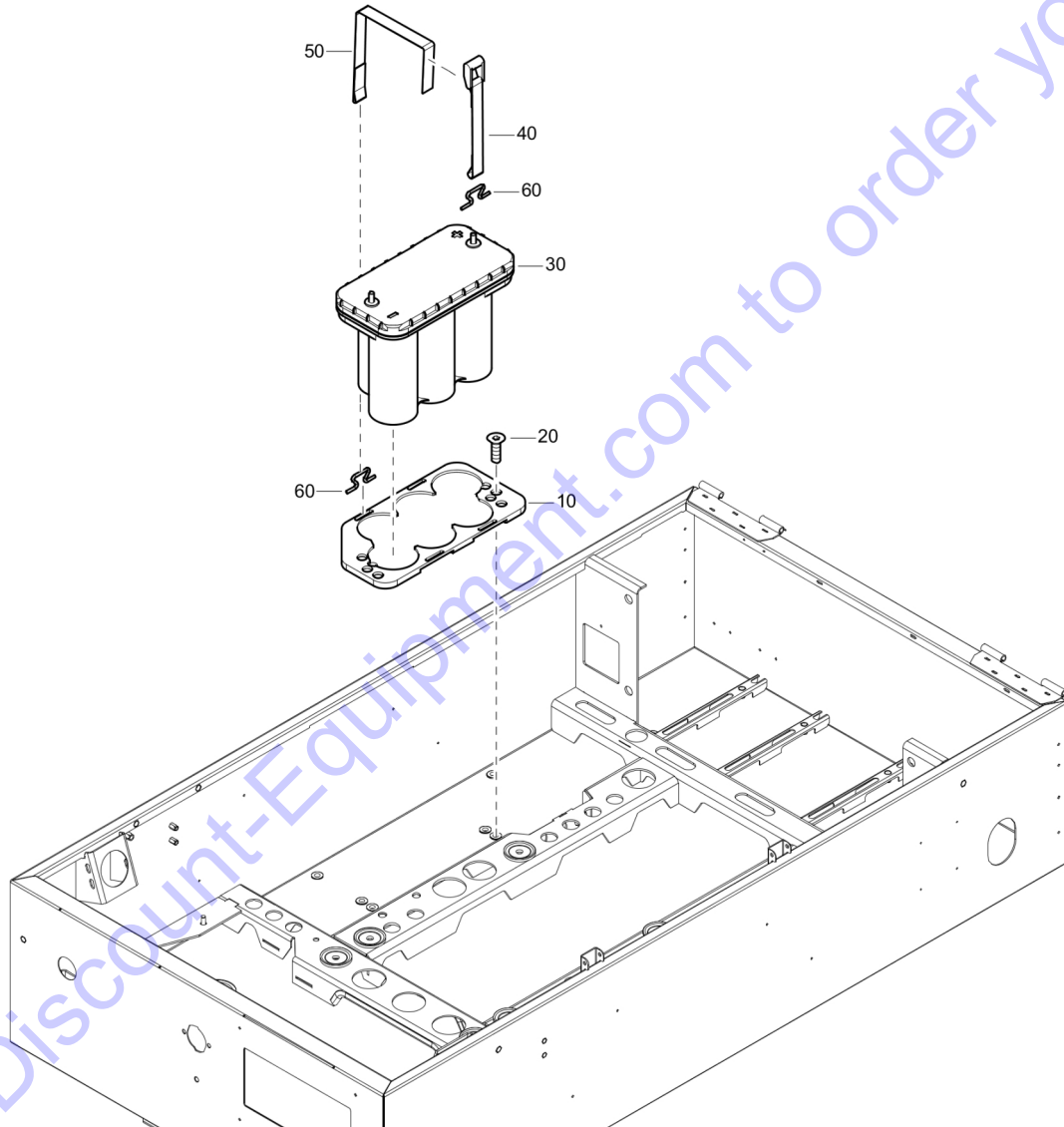
Go to Discount-Equipment.com to order your parts



<b>Id</b>	<b>Qty</b>	<b>Number</b>	<b>Name</b>	<b>Specifications</b>
40	1	1638543301	CABLE	
50	1	0211196122	HEX SOCK. SCREW	
60	1	1088001902	CONTACT WASHER SPEC MD	
70	1	1638543201	CABLE	
80	1	1604332900	PROTECTION CAP	
90	1	0291118504	LOCKNUT	
100	1	1638595500	CABLE	
105	1	0301232100	PLAIN WASHER(A) 6.4 X 12 X 1.6	
106	1	0291110800	LOCKNUT:M6,NYL,\$STL	
110	1	1638805200	GUIDE	
115	1	0211171109	SCREW	
120	1	0301234400	PLAIN WASHER M10	
125	1	0211196122	HEX SOCK. SCREW	
130	1	0301234400	PLAIN WASHER M10	
150	1	1638712606	WIRE HARNESS	
160	1	1626060101	WIRE EARTHING	
170	1	1619276600	SCR.BOLT M8X20	
180	2	1088001901	CONTACT WASHER	
190	1	1638734300	CABLE	
195	1	1638738101	BRACKET	
196	2	0211171109	SCREW	
200	1	1607861400	FUSE HOLDER	
210	2	1619589801	BOLT-SCRAPER:M6X20, 8.8 FZB W/	
220	1	1607861402	FUSE	
225	2	0147120803	HEX. HEAD SCREW	
230	1	1638734400	CABLE	
240	1	0291110800	LOCKNUT:M6,NYL,\$STL	
250	1	1607865145	RELAY	
260	2	1619589801	BOLT-SCRAPER:M6X20, 8.8 FZB W/	
270	1	0291118507	NUT	
280	1	1638734501	CABLE	
285	1	0291110800	LOCKNUT:M6,NYL,\$STL	
290	1	1638605403	CONTROLLER	
300	1	1638666810	SEAL	
310	4	0160099696	SCREW:M6X25,CHSEHD,CROSS,BL ACK	
314	1	1089948295	MODULE HOLDER	
315	1	1089951389	EMERGENCY STOP PUSH BUTTON	
316	1	1607852313	DECAL INSTRUCT.	
317	0.26	1503105600	SEAL	
318	1	1638555302	COVER	
319	4	1604646600	BOLT	
320	1	1089057470	TEMPERATURE SENSOR	
330	1	0605830303	BUSHING	
400	1	1638592803	BRACKET	
410	2	0147135903	HEX. HEAD SCREW	
420	4	0147120803	HEX. HEAD SCREW	
421	4	0301231800	PLAIN WASHER	

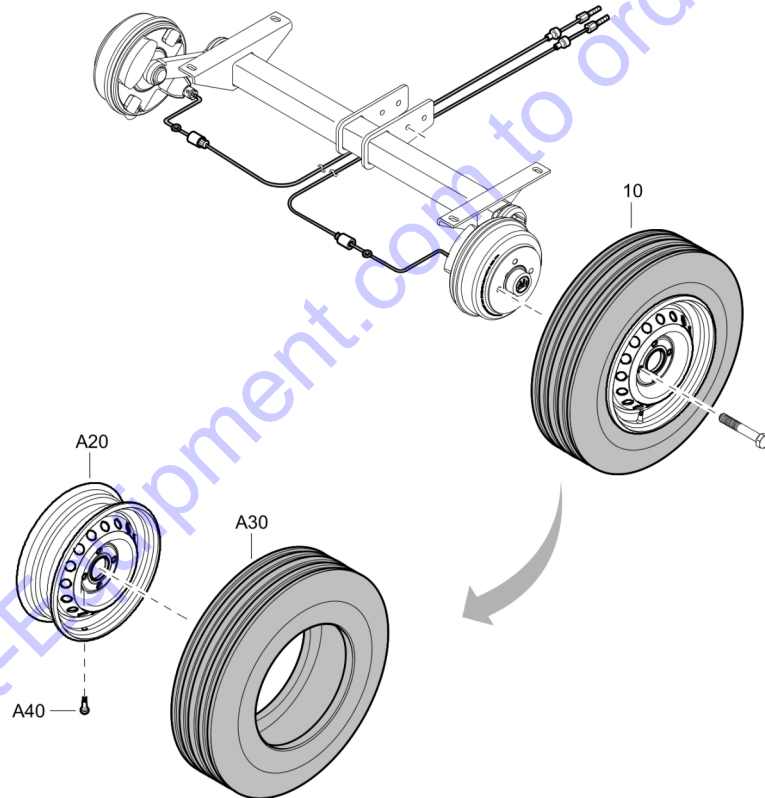
<b>Id</b>	<b>Qty</b>	<b>Number</b>	<b>Name</b>	<b>Specifications</b>
422	1	0300027470	PLAIN WASHER	
430	1	1638563703	SUPPORT	
440	2	1619276500	SCREW	

Go to Discount-Equipment.com to order your parts



Id	Qty	Number	Name	Specifications
10	1	1638846300	TRAY	
20	4	0216195761	HEX. SOCK M8X25X8.8	
30	1	1638818600	BATTERY	
40	2	1616461401	BELT FLAT	
50	2	1616461501	STRAP	
60	4	1626360700	RETAINER	

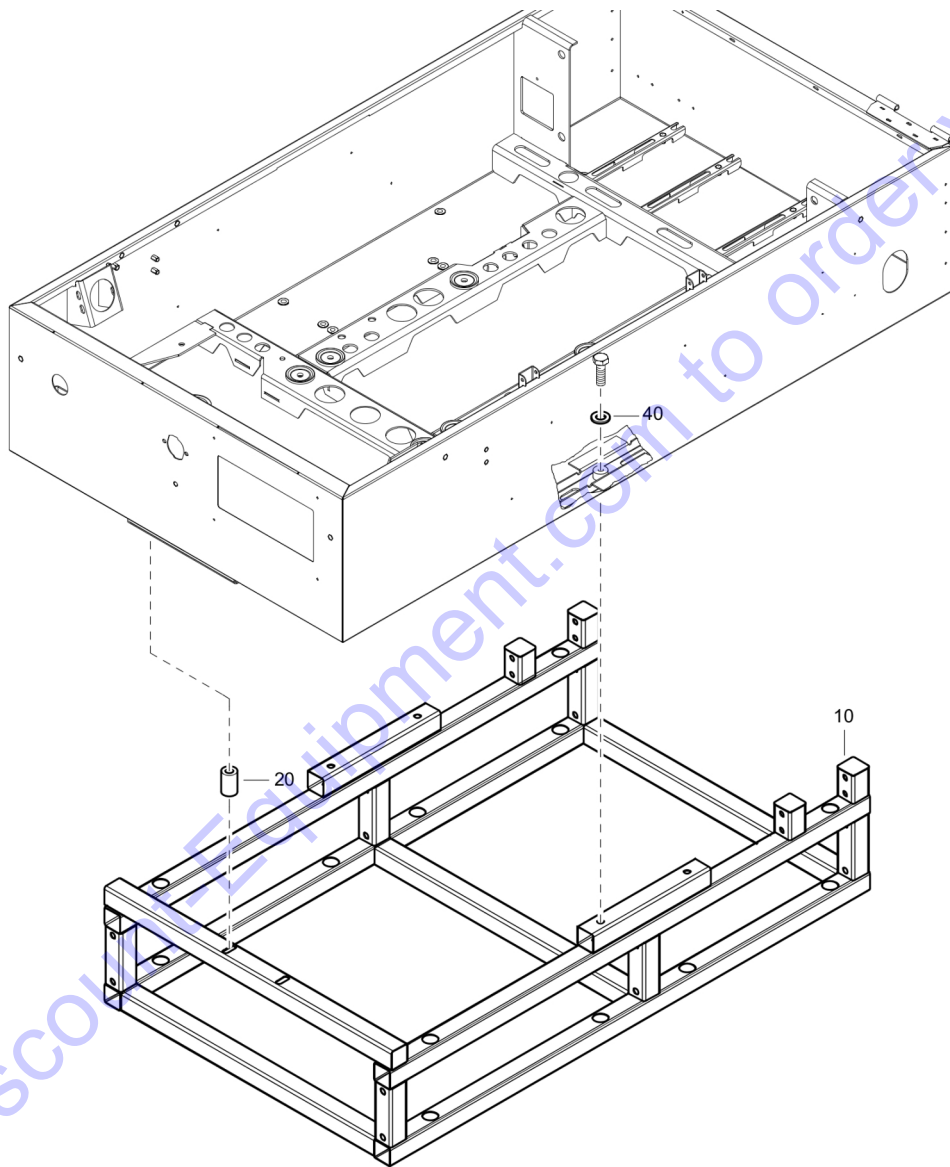
Go to Discount-Equipment.com to order your parts



Id	Qty	Number	Name	Specifications
10	1	1615924288	TYRE ASSY	
A20	2	1604033200	DISC WHEEL	
A30	2	0538040020	TIRE	
A40	2	1615632200	VENTIL	

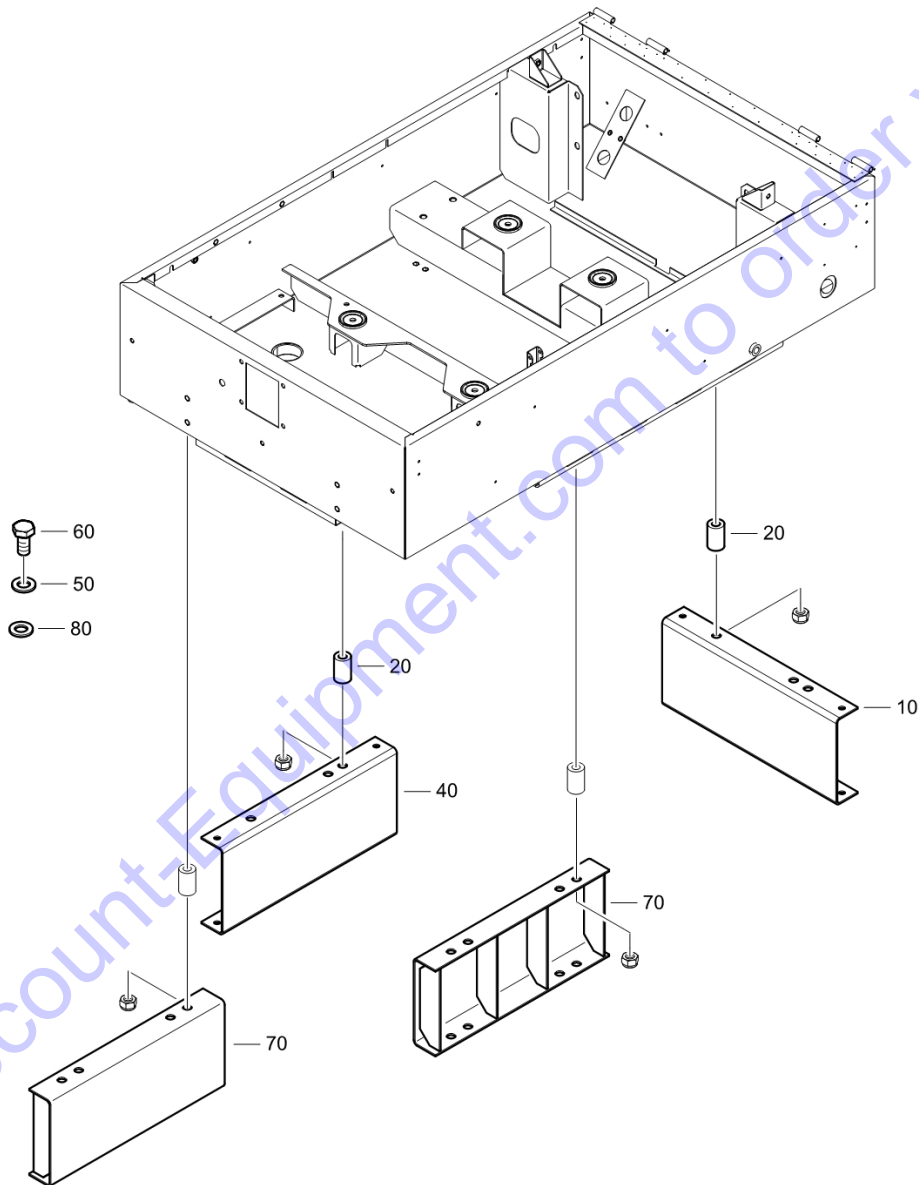
Go to Discount-Equipment.com to order your parts





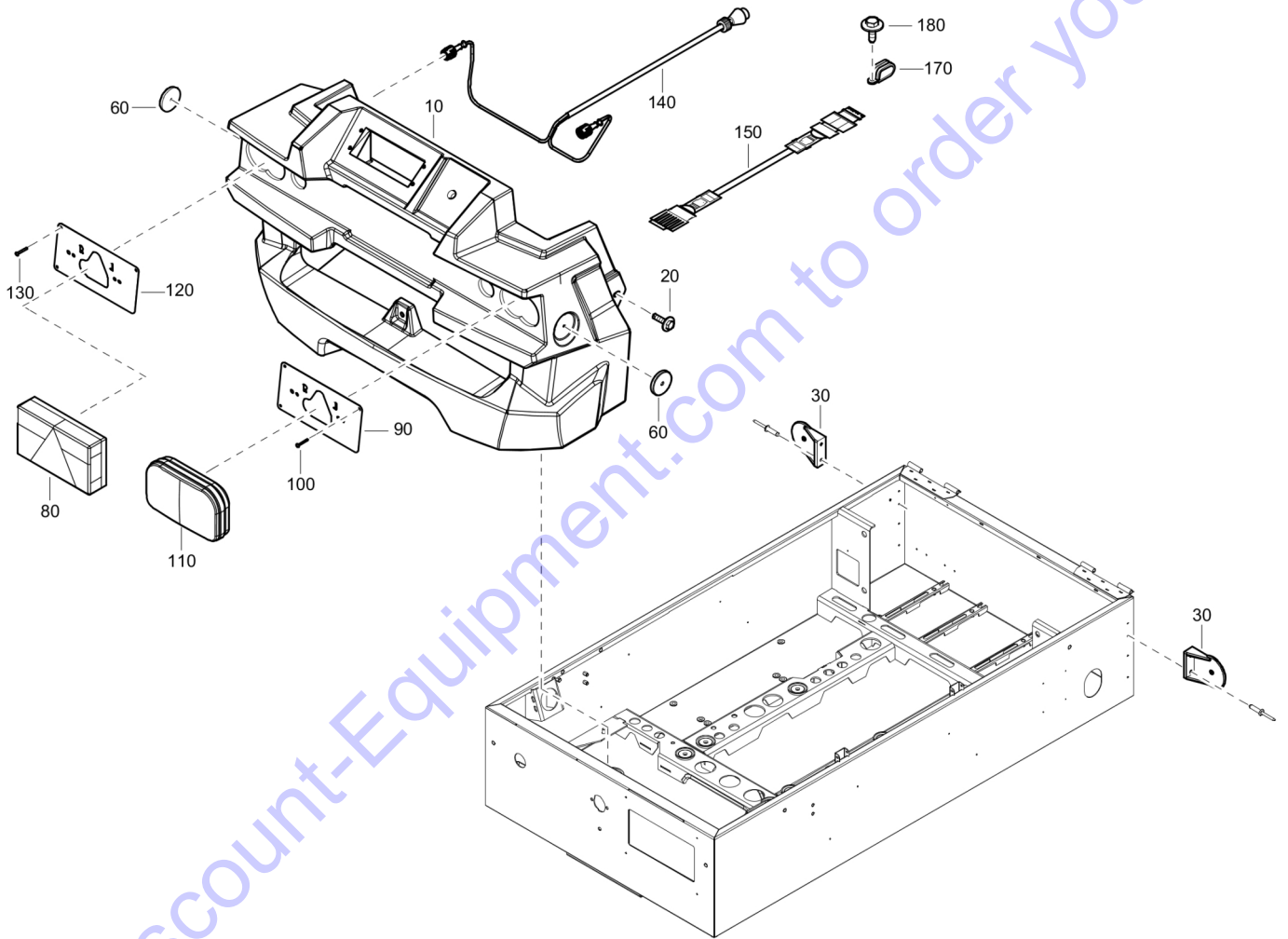
<b>Id</b>	<b>Qty</b>	<b>Number</b>	<b>Name</b>	<b>Specifications</b>
10	1	1638860900	SUPPORT	
20	2	1615957500	SPACER	
40	4	0301235800	PLAIN WASHER(A)	13 X 24 X 2.5

Go to Discount-Equipment.com to order your parts



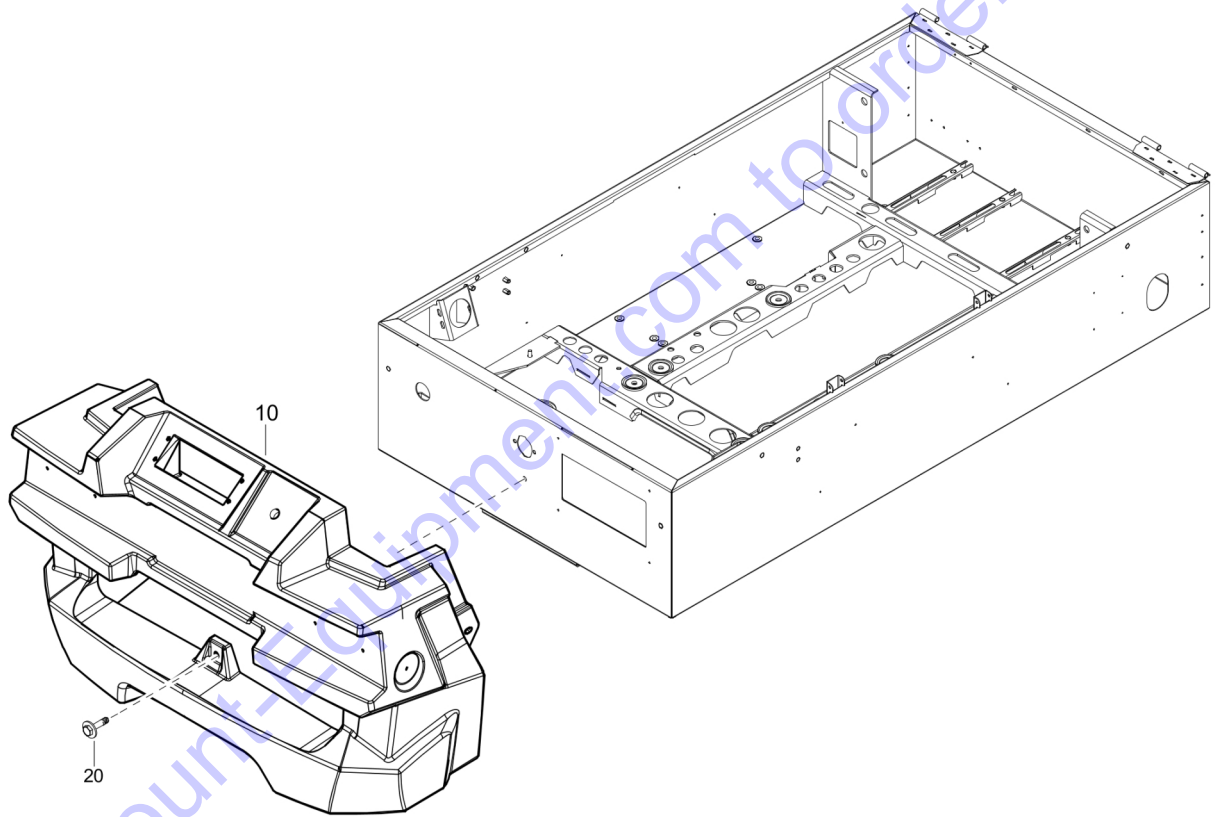
Id	Qty	Number	Name	Specifications
10	1	1626980802	SUPPORT	
20	2	1615957500	SPACER	
40	1	1626980802	SUPPORT	
50	2	0301235800	PLAIN WASHER(A)	13 X 24 X 2.5
60	2	0147140003	SCREW:M12X 25;HEX HD,ZN PLT,\$S	
70	2	1638269600	SUPPORT	
80	4	0301235800	PLAIN WASHER(A)	13 X 24 X 2.5

Go to Discount-Equipment.com to order your parts



Id	Qty	Number	Name	Specifications
10	1	1638846780	BUMPER	
20	5	1604646600	BOLT	
30	2	1605102900	REFLECTOR	
50	4	0300027470	PLAIN WASHER	
60	4	1615552000	REFLECTOR	
80	1	1638398100	LIGHT LEFT	
90	1	1638846800	SUPPORT	
100	3	0226004709	SCREW	
110	1	1638398200	LIGHT RIGHT	
120	1	1638846800	SUPPORT	
130	3	0226004709	SCREW	
140	1	1638314802	WIRE	
150	2	1638316402	WIRE BOX2.2	
170	1	0346100241	CLAMP	
180	1	1615566400	BOLT-SCRAPER:M8X25, 8.8 FZB	

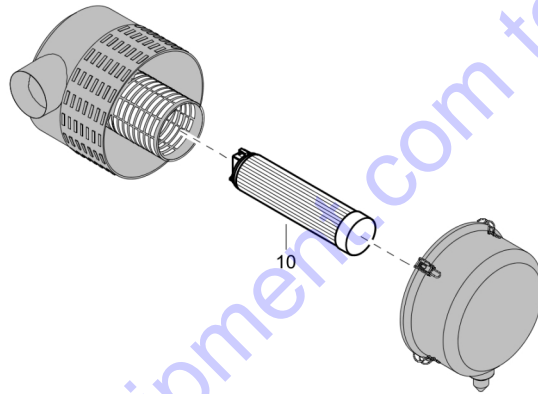
Go to Discount-Equipment.com to order your parts



<b>Id</b>	<b>Qty</b>	<b>Number</b>	<b>Name</b>	<b>Specifications</b>
10	1	1638846680	BUMPER	
20	5	1604646600	BOLT	

Go to Discount-Equipment.com to order your parts

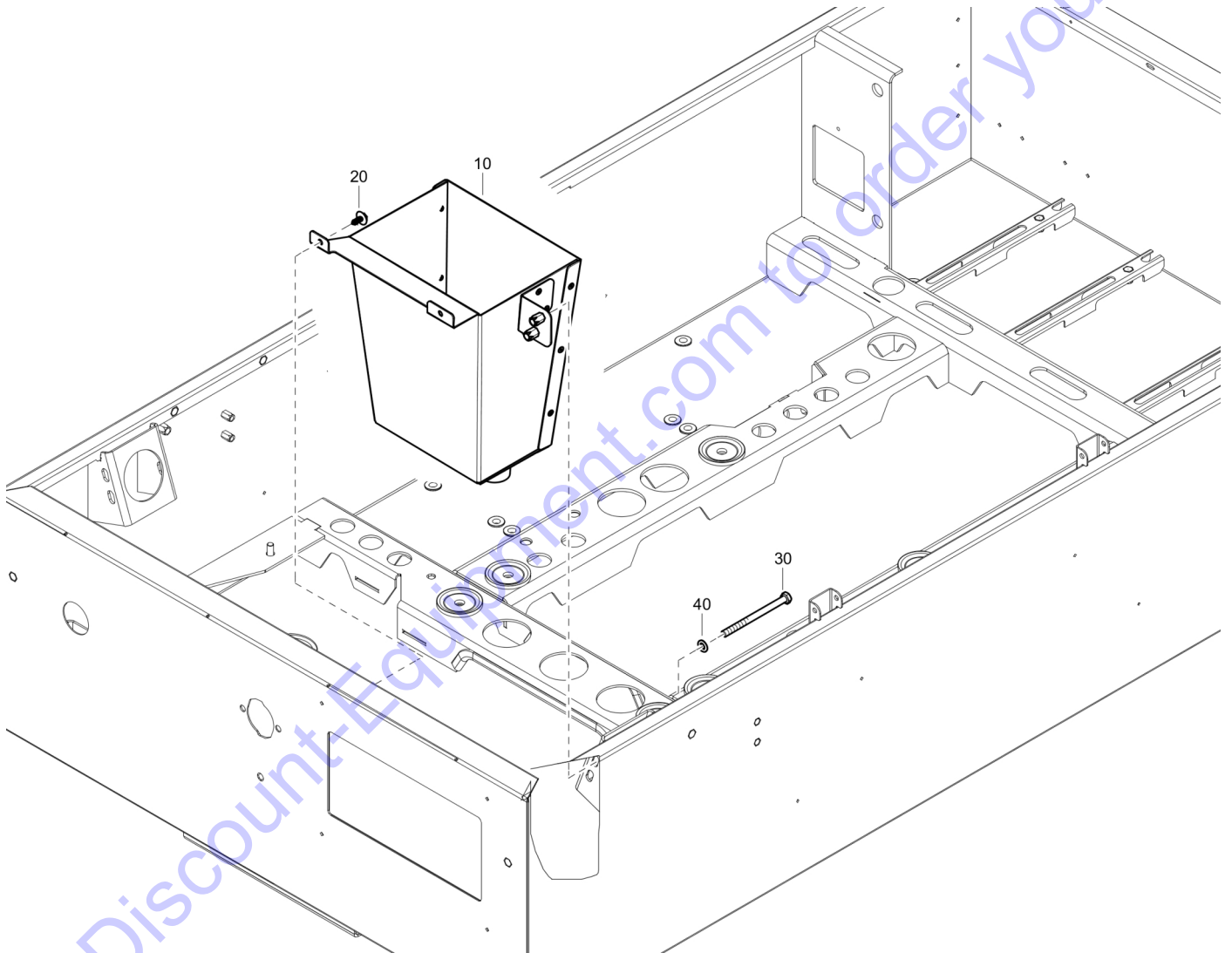




Go to Discount-Equipment.com to order your parts

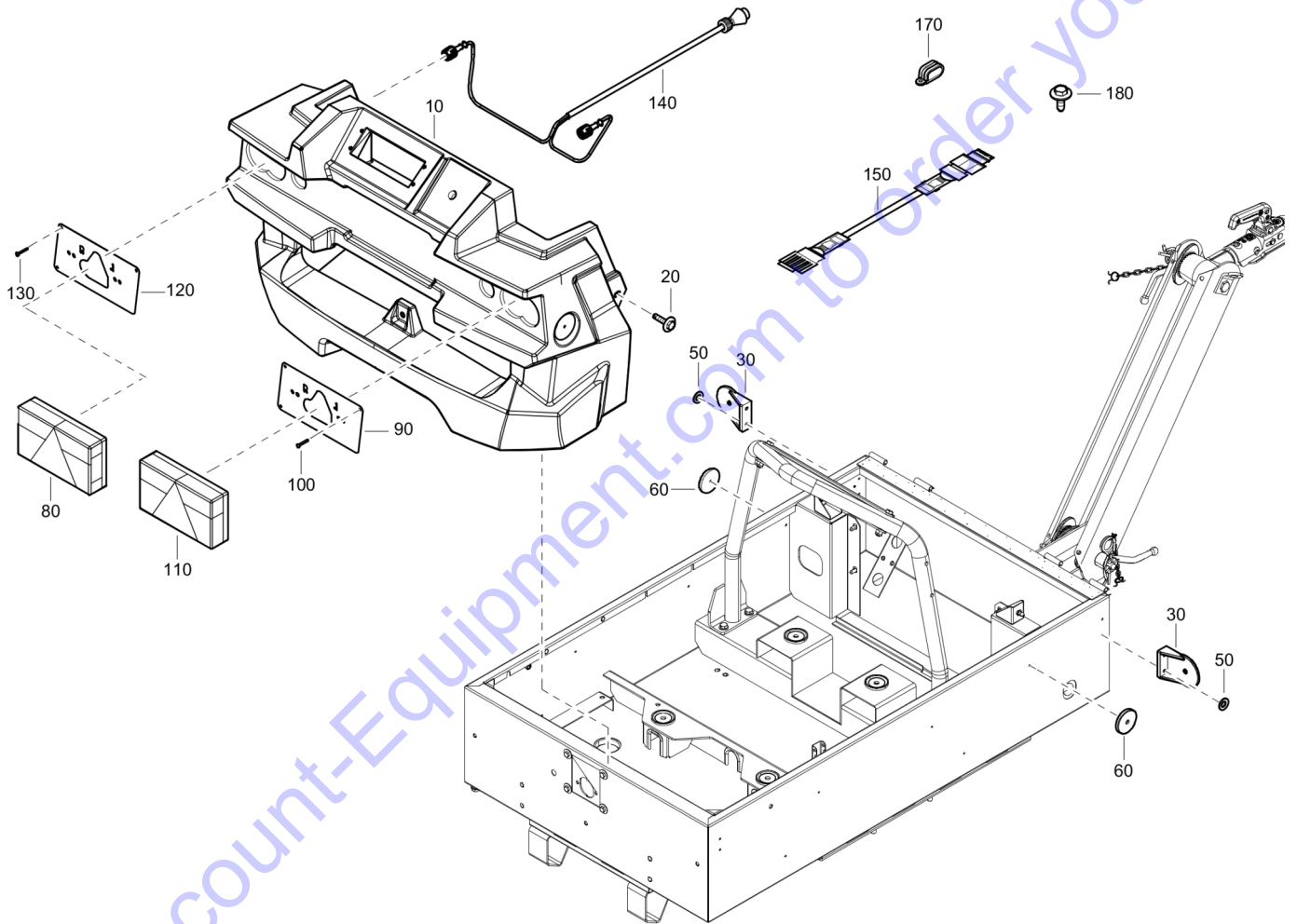
<b>Id</b>	<b>Qty</b>	<b>Number</b>	<b>Name</b>	<b>Specifications</b>
10	1	1638879400	SAFETY CARDRIDGE	

Go to Discount-Equipment.com to order your parts



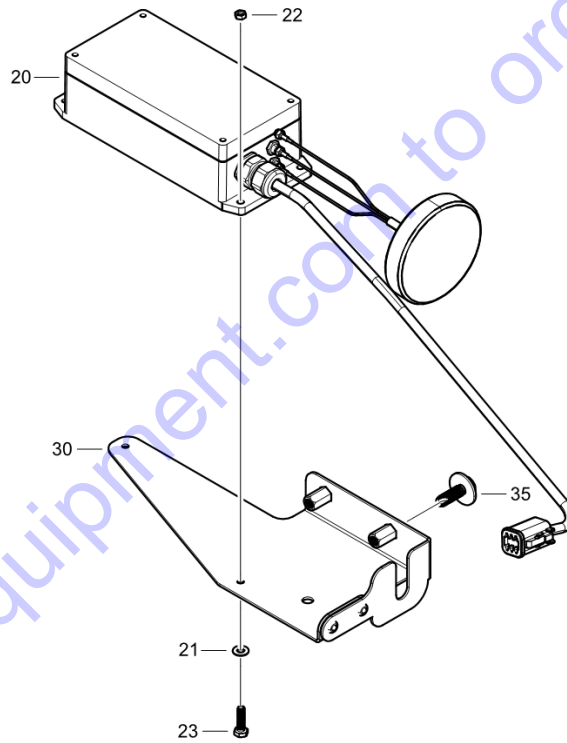
Id	Qty	Number	Name	Specifications
10	1	1638811100	TOOLBOX	
20	2	1619276500	SCREW	
30	2	0147134203	SCREW:M8X110L 8.8 ZP-STL	
40	2	0301233500	PLAIN WASHER(A) 8.4 X 16 X 1.6	

Go to Discount-Equipment.com to order your parts



Id	Qty	Number	Name	Specifications
10	1	1638846780	BUMPER	
20	5	1604646600	BOLT	
30	2	1605102900	REFLECTOR	
50	4	0300027470	PLAIN WASHER	
60	4	1615552000	REFLECTOR	
80	1	1626979500	LIGHT, LEFT	
90	1	1638846800	SUPPORT	
100	3	0226004709	SCREW	
110	1	1626979600	LIGHT, RIGHT	
120	1	1638846800	SUPPORT	
130	3	0226004709	SCREW	
140	1	1638121308	Wiring	
150	2	1638195302	WIRING STD	
170	1	0346100241	CLAMP	
180	1	1615566400	BOLT-SCRAPER:M8X25, 8.8 FZB	

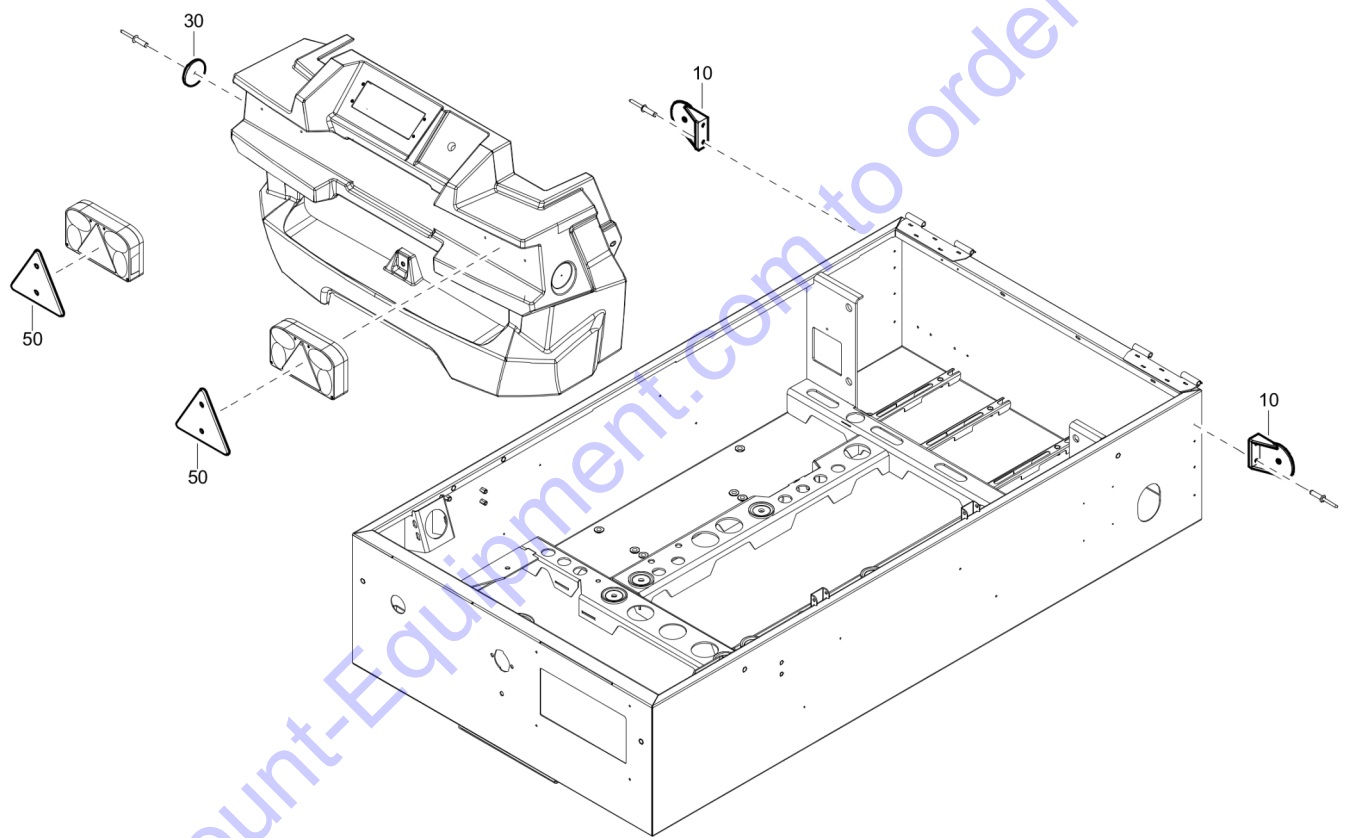
Go to Discount-Equipment.com to order your parts



Id	Qty	Number	Name	Specifications
20	1	1638886200	MODULE	
21	2	0301231500	WASHER M4-T0.8	
22	2	0266210600	HEXAGON NUT M4	
23	2	0147117303	HEX. HEAD SCREW	
30	1	1638587501	BRACKET	
35	2	1615566400	BOLT-SCRAPER:M8X25, 8.8 FZB	
100	2	1638370910	LABEL FLEETLINK BLUE	

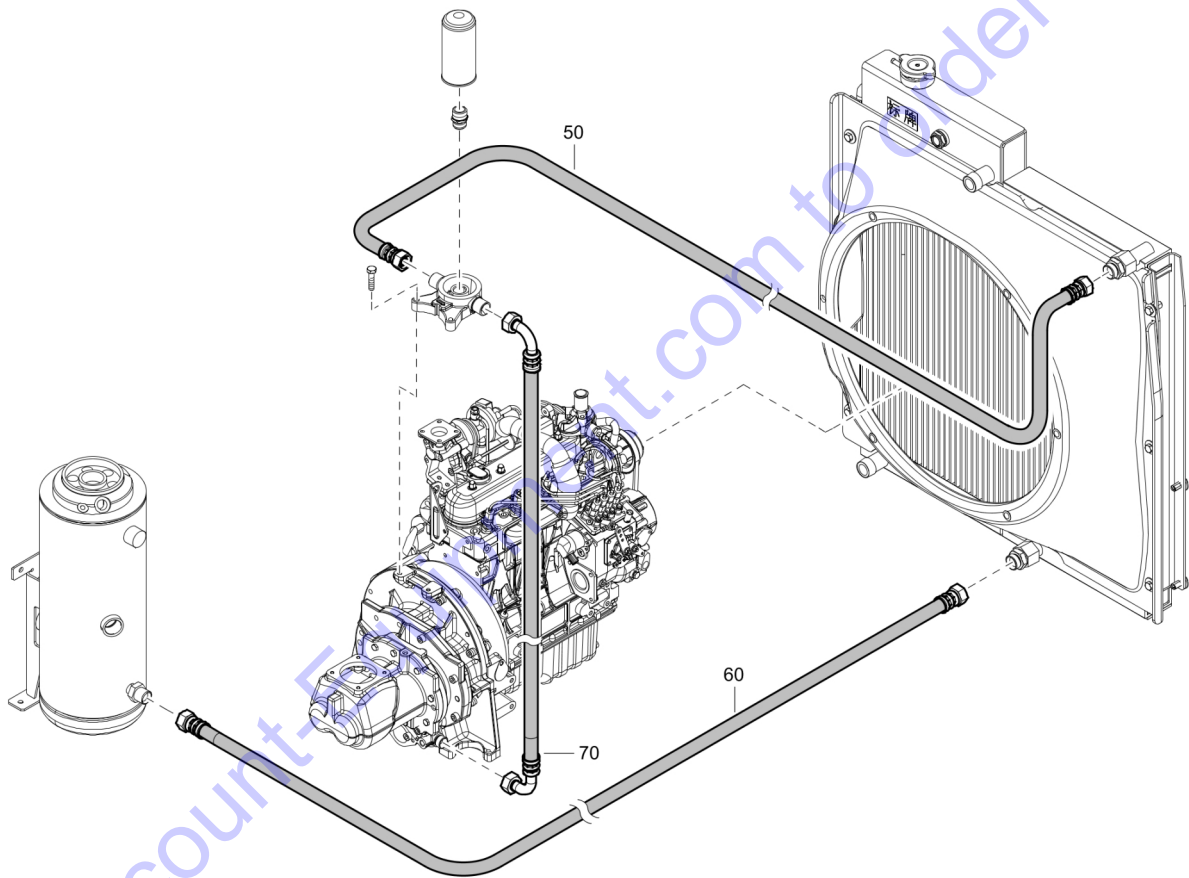
Go to Discount-Equipment.com to order your parts





<b>Id</b>	<b>Qty</b>	<b>Number</b>	<b>Name</b>	<b>Specifications</b>
10	2	1605102900	REFLECTOR	
30	4	1615552000	REFLECTOR	
50	2	1202940201	Reflector	

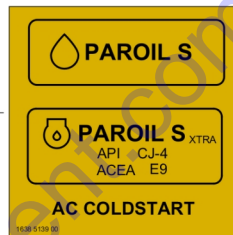
Go to Discount-Equipment.com to order your parts



<b>Id</b>	<b>Qty</b>	<b>Number</b>	<b>Name</b>	<b>Specifications</b>
50	1	1638763701	HOSE ASSEMBLY	
60	1	1638110701	HOSE ASSEMBLY	
70	1	1638110901	Hose assembly	

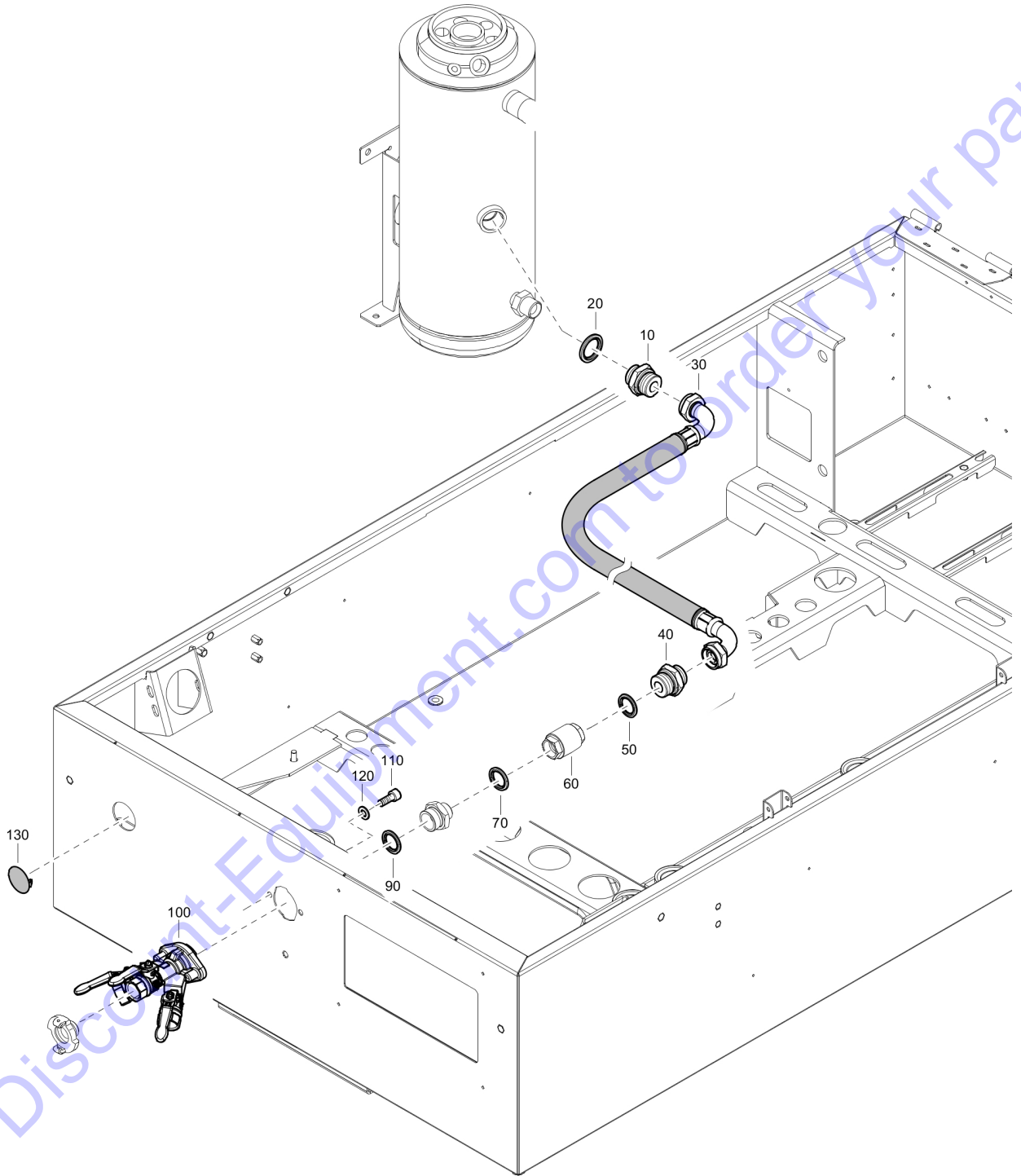
Go to Discount-Equipment.com to order your parts

220



<b>Id</b>	<b>Qty</b>	<b>Number</b>	<b>Name</b>	<b>Specifications</b>
220	1	1638513900	DECAL SYMBOLS	

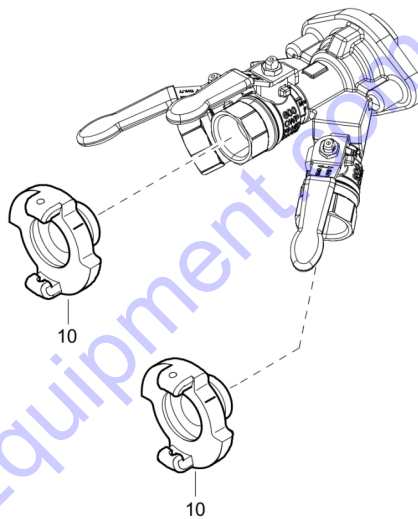
Go to Discount-Equipment.com to order your parts



Id	Qty	Number	Name	Specifications
10	1	0571003572	FITTING	
20	1	0661104900	SEAL WASHER	
30	1	1638159101	HOSE ASSEMBLY	
40	1	0571003572	FITTING	
50	1	0661104900	SEAL WASHER	
60	1	1615961500	NON RET. VALVE	
70	1	0661104900	SEAL WASHER	
90	1	0661103800	SEALING WASHER	
100	1	1638165281	MANIFOLD	
110	2	0211132300	HEX SOCK. SCREW	
120	2	0301233500	PLAIN WASHER(A) 8.4 X 16 X 1.6	
130	1	1638535000	Plug	

Go to Discount-Equipment.com to order your parts

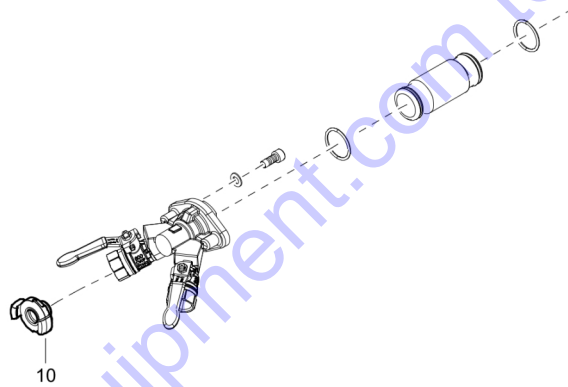




Go to Discount-Equipment.com to order your parts

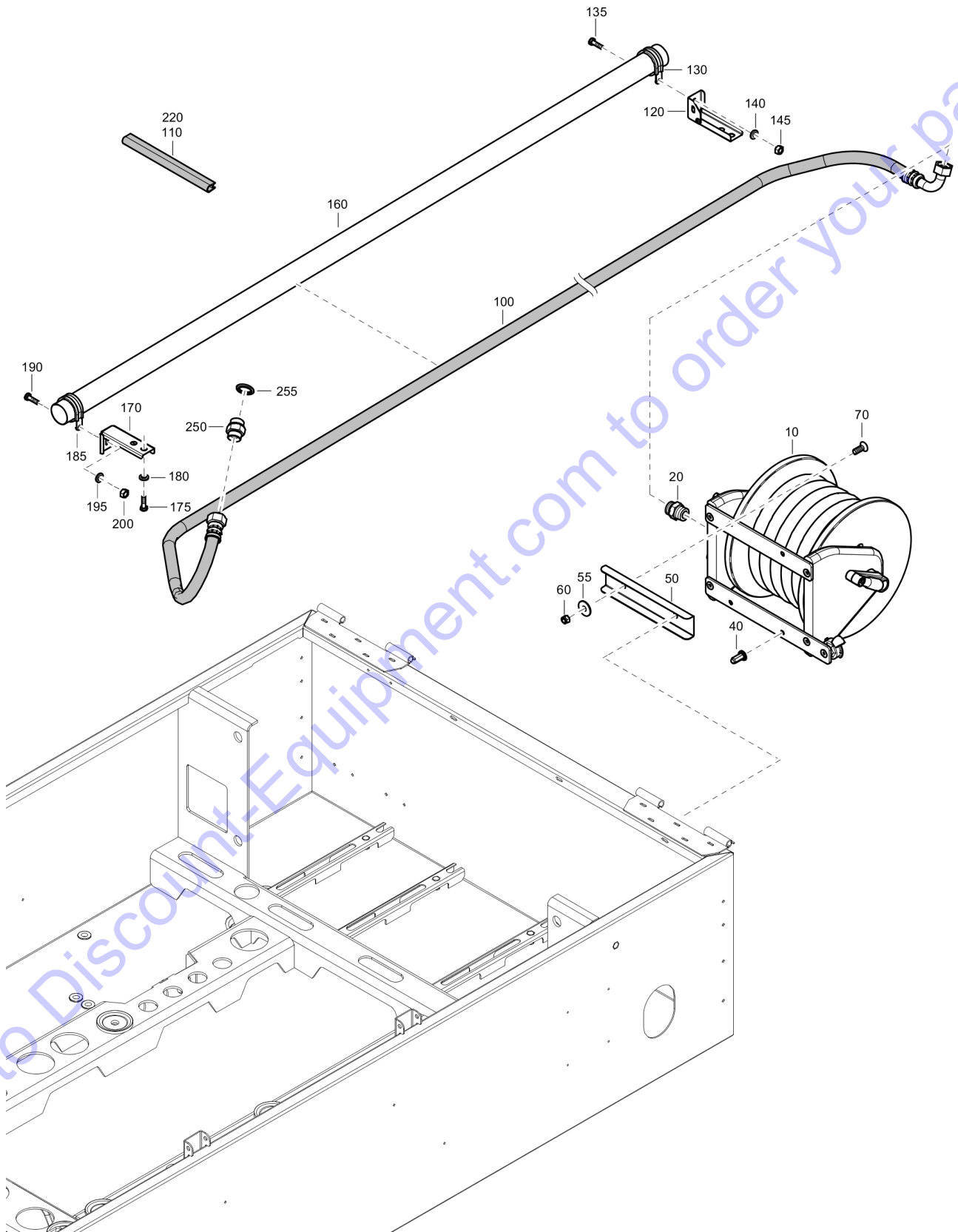
<b>Id</b>	<b>Qty</b>	<b>Number</b>	<b>Name</b>	<b>Specifications</b>
10	3	9000030200	QUICK HITCHING - COMPLETE	

Go to Discount-Equipment.com to order your parts

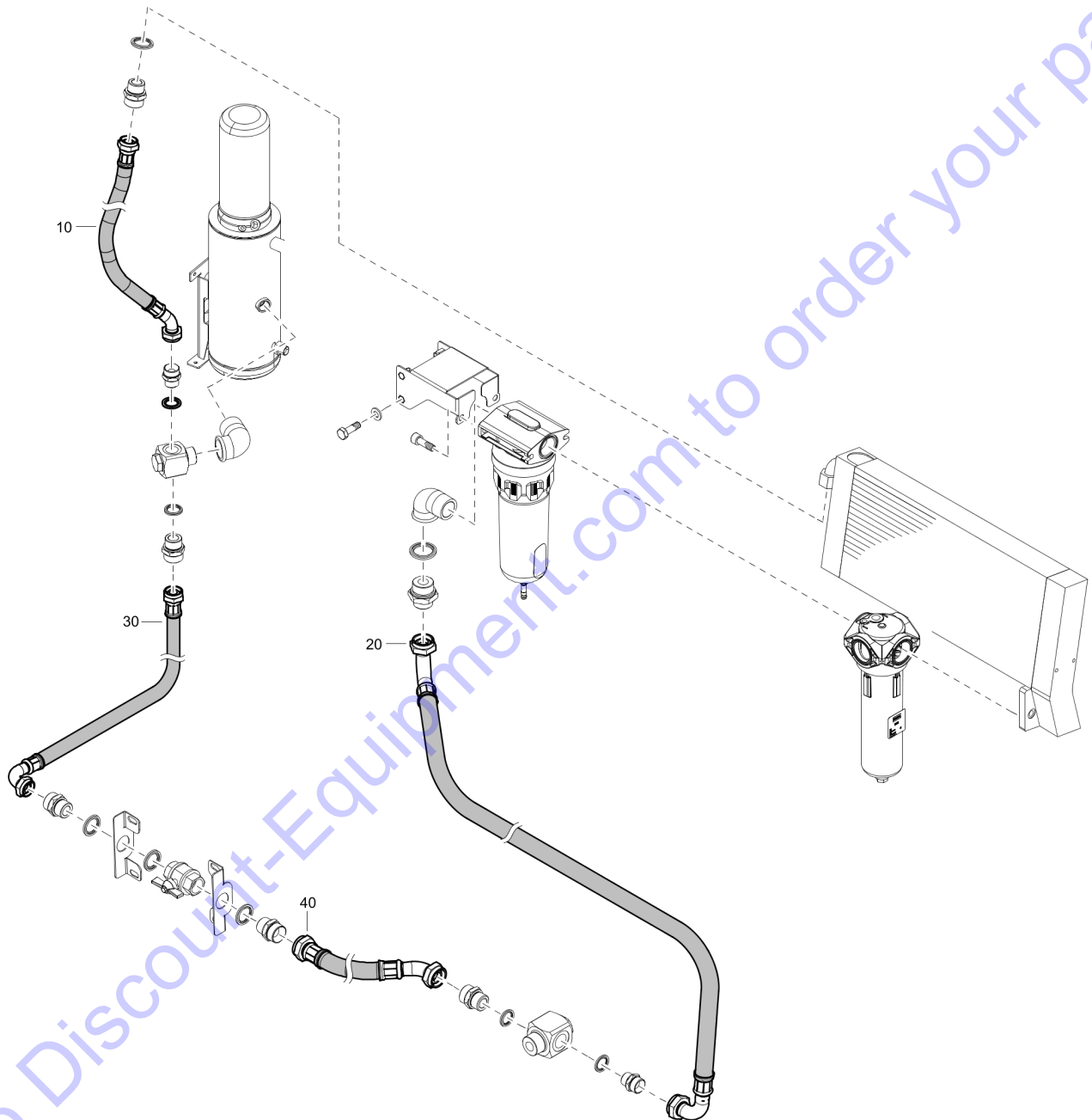


<b>Id</b>	<b>Qty</b>	<b>Number</b>	<b>Name</b>	<b>Specifications</b>
10	2	9000030200	QUICK HITCHING - COMPLETE	

Go to Discount-Equipment.com to order your parts



Id	Qty	Number	Name	Specifications
10	1	1638264500	HOSE REEL	
20	1	0571003536	Nipple	
40	2	0298100180	Nut	
50	1	1638344700	Back plate	
55	2	0300801900	WASHER-FLAT:M 8.40/25.0X2.0T	
60	2	0291118504	LOCKNUT	
70	4	0216132403	SCREW:M8X22,SOC HD,CS,\$STL	
100	1	1638332400	Hose assembly	
110		1503105600	SEAL	
120	1	1638313600	BRACKET	
130	1	1613080104	CLAMP	
135	1	0147124703	SCREW:M 6X 20;HEX HD,ZN PLT,\$S	
140	1	0301232100	PLAIN WASHER(A) 6.4 X 12 X 1.6	
145	1	0266210800	NUT M6	
160	1	1638313800	Pipe	
170	1	1638313600	BRACKET	
175	1	0147140003	SCREW:M12X 25;HEX HD,ZN PLT,\$S	
180	1	0301235800	PLAIN WASHER(A) 13 X 24 X 2.5	
185	1	1613080104	CLAMP	
190	1	0147124703	SCREW:M 6X 20;HEX HD,ZN PLT,\$S	
195	1	0301232100	PLAIN WASHER(A) 6.4 X 12 X 1.6	
200	1	0266210800	NUT M6	
220		1503105600	SEAL	
250	1	1079584029	NIPPLE M26 - G3/4"	
255	1	0661103800	SEALING WASHER	

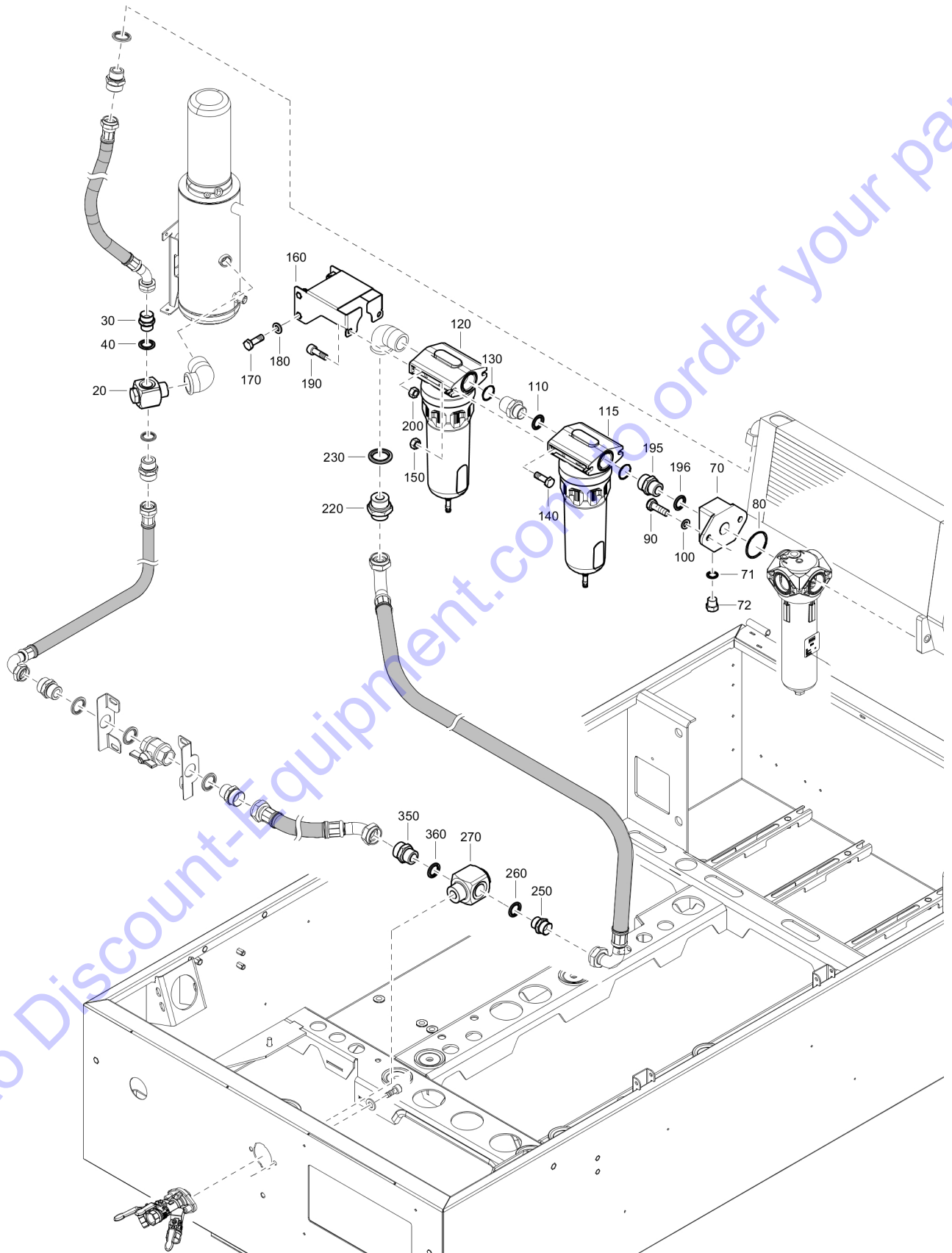


Go to [Discount-Equipment.com](http://Discount-Equipment.com) to order your parts

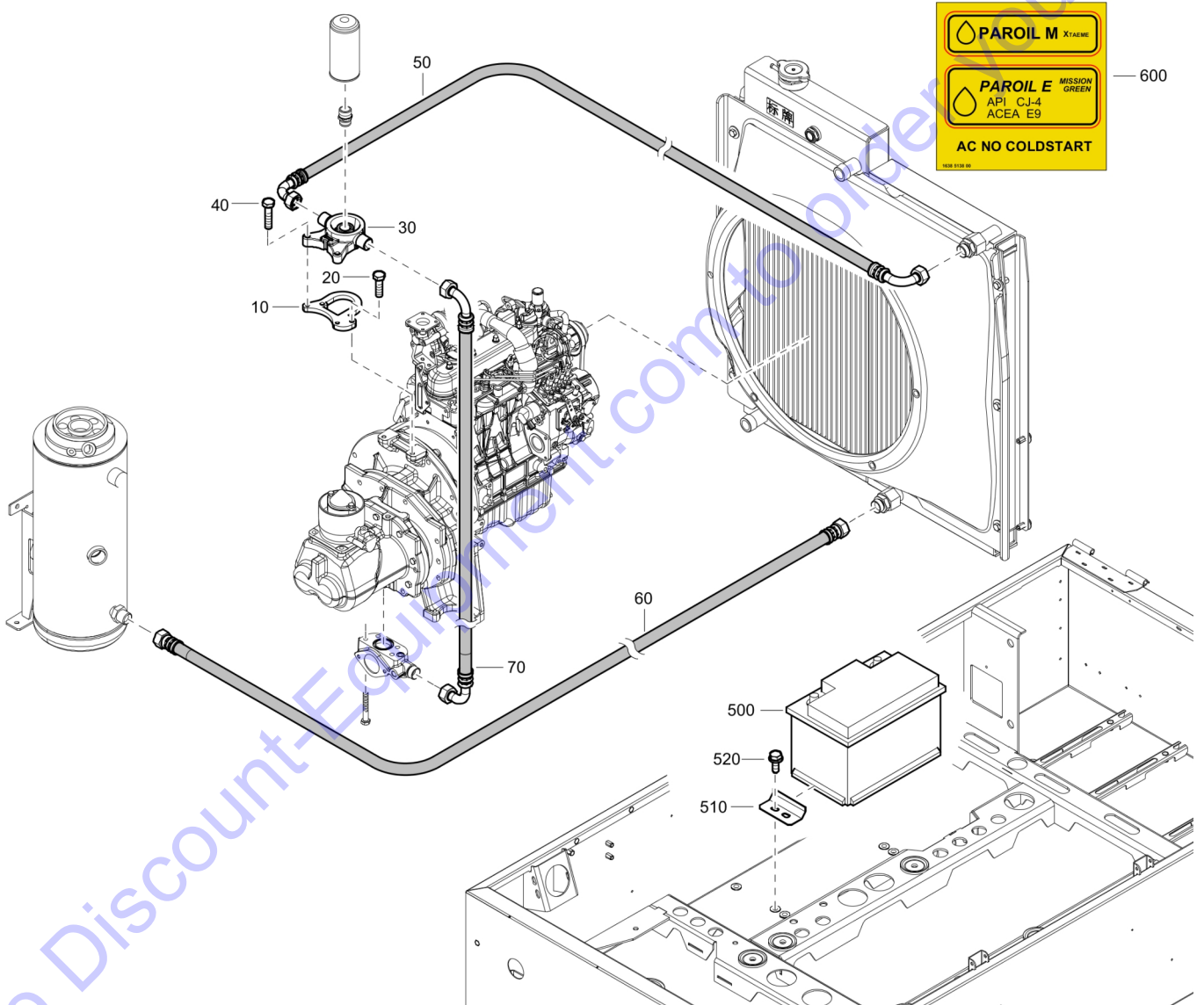
Id	Qty	Number	Name	Specifications
10	1	1638549400	HOSE ASSEMBLY	
20	1	1638789000	HOSE ASSEMBLY	
30	1	1638547700	HOSE ASSEMBLY	
40	1	1638549600	HOSE ASSEMBLY	

Go to Discount-Equipment.com to order your parts



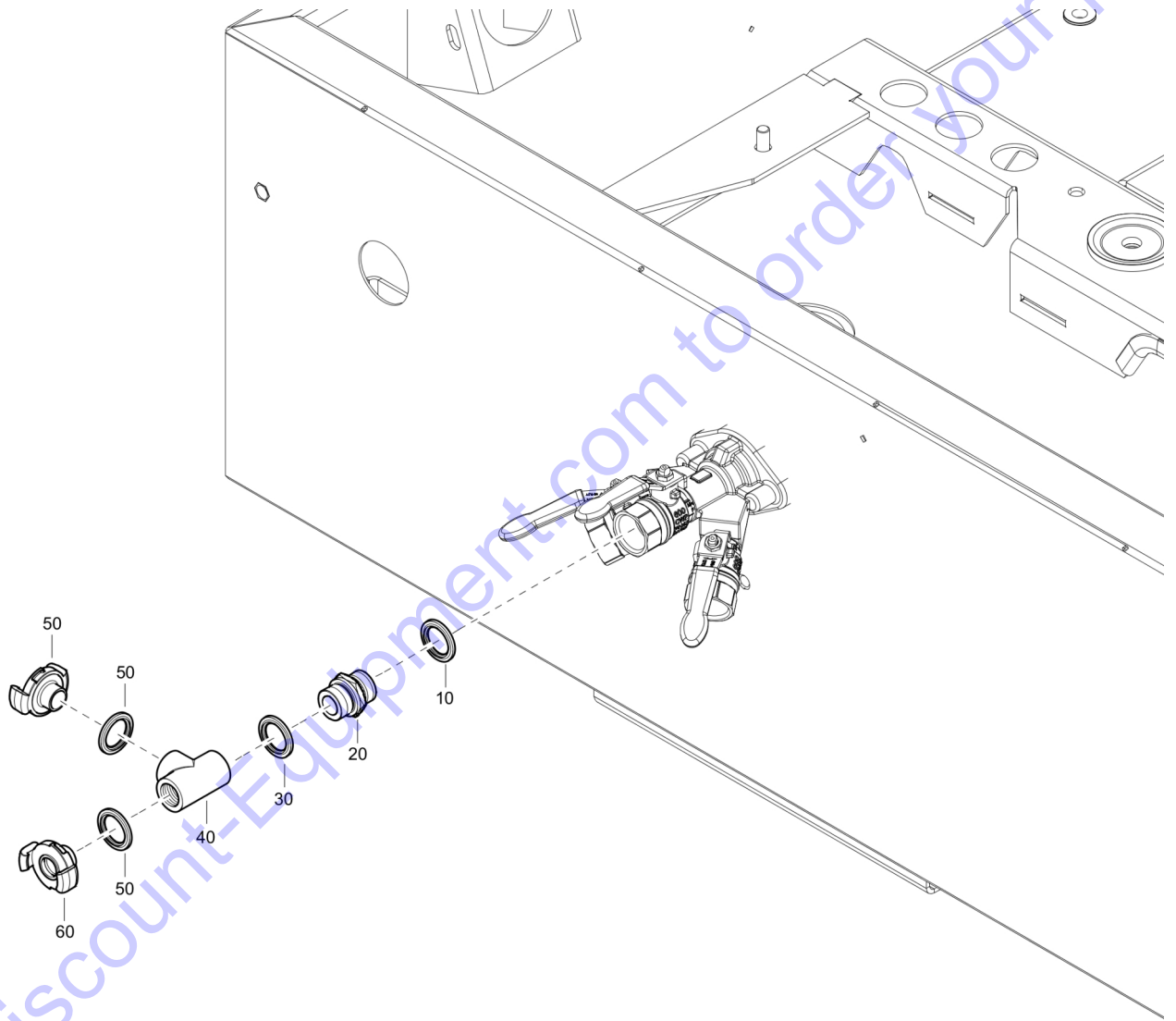


Id	Qty	Number	Name	Specifications
20	1	1638249100	MANIFOLD	
30	1	1619624900	NIPPLE	
40	1	0661100029	WASHER M26	
70	1	1638400600	Manifold	
71	1	0301235800	PLAIN WASHER(A) 13 X 24 X 2.5	
72	1	0686310119	PLUG HEXAGON	
80	1	0663713600	O-RING 59.5X3	
90	2	0147136303	SCREW:M10X 30;HEX HD,ZN PLT,\$S	
100	2	0301234400	PLAIN WASHER M10	
110	1	0661100029	WASHER M26	
115	1	8102265330	FILTER QD90 (G 1)	
120	1	8102265314	FILTER PD90 (G 1)	
130	1	0663210197	O-RING 38X2	
140	2	0147132503	HEX. HEAD SCREW	
150	2	0266211000	HEXAGON NUT M8	
160	1	1638589401	SUPPORT	
170	3	0147132503	HEX. HEAD SCREW	
180	3	0301233500	PLAIN WASHER(A) 8.4 X 16 X 1.6	
190	2	0211132303	HEX. SOCK. SCREW	
195	1	1619624900	NIPPLE	
196	1	0661100029	WASHER M26	
200	2	0266211000	HEXAGON NUT M8	
220	1	0571003572	FITTING	
230	1	0661104900	SEAL WASHER	
250	1	1619624900	NIPPLE	
260	1	0661100029	WASHER M26	
270	1	1638249100	MANIFOLD	
350	1	1619624900	NIPPLE	
360	1	0661100029	WASHER M26	



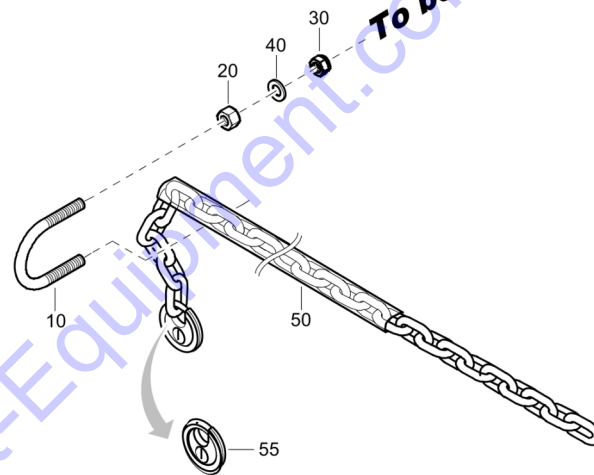
Id	Qty	Number	Name	Specifications
10	1	1638437700	SUPPORT	
20	2	0147132503	HEX. HEAD SCREW	
30	1	1615776707	HOUSING FILTER	
40	2	0147132603	SCREW:M 8X 30;HEX HD,ZN PLT,\$S	
50	1	1638574500	HOSE ASSEMBLY	Version: 2
60	1	1638110802	HOSE ASSEMBLY	
70	1	1638110901	Hose assembly	
500	1	0975830014	BATTERY	
510	2	1638152200	BRACKET (CLAMP BAT)	
520	4	1619276600	SCR.BOLT M8X20	
600	1	1638513800	Decal symbols	

Go to Discount-Equipment.com to order your parts



Id	Qty	Number	Name	Specifications
10	1	0661100029	WASHER M26	
20	1	1615279600	NIPPLE	
30	1	0661100029	WASHER M26	
40	1	0564000068	TEE	
50	2	0661100029	WASHER M26	
60	1	1638184300	COUPLING	

Go to Discount-Equipment.com to order your parts



Go to Discount-Equipment.com to order your parts

Id	Qty	Number	Name	Specifications
10	2	1638368100	BOLT U	
20	4	0266113802	NUT	
30	1	0291111200	LOCKNUT:M 12 ZN PLT,\$STL W/NYL	
40	8	0300027602	WASHER LOCK	
50	1	1638386600	Cable	
55	1	1638387500	LOCK -	

Go to Discount-Equipment.com to order your parts



# PARTS FINDER

**Search Website  
by Part Number**



**Search Manual  
Library For Parts  
Manual & Lookup Part  
Numbers – Purchase  
or Request Quote**

**Search Manuals**

Enter your information to help us find the right parts manual for your machine.

\* Brand:

\* Model:

\* Serial:

\* Part Number:

SEARCH

**Can't Find Part or  
Manual? Request Help  
by Manufacturer,  
Model & Description**

**Parts Order Form**

Please fill in the following information to help us find the right part for your machine.

Manufacturer:	<input type="text"/>
Model:	<input type="text"/>
Description:	<input type="text"/>
Part Number:	<input type="text"/>
Quantity:	<input type="text"/>
Notes:	<input type="text"/>

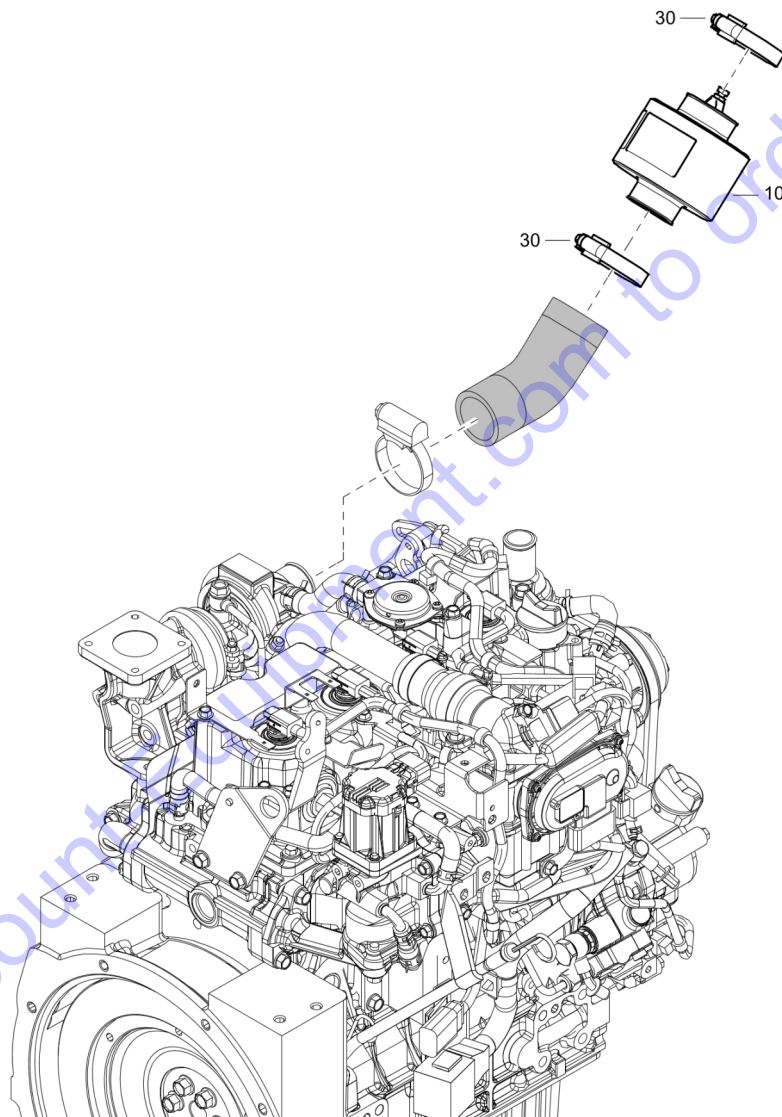
Discount-Equipment.com is your online resource for quality parts & equipment.

Florida: **561-964-4949** Outside Florida TOLL FREE: **877-690-3101**

**Need parts?**

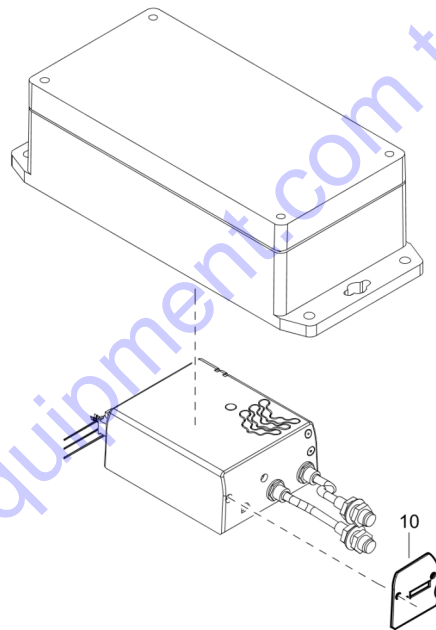
Click on this link: <http://www.discount-equipment.com/category/5443-parts/> and choose one of the options to help get the right parts and equipment you are looking for. Please have the machine model and serial number available in order to help us get you the correct parts. If you don't find the part on the website or on one of the online manuals, please fill out the request form and one of our experienced staff members will get back to you with a quote for the right part that your machine needs.

We sell worldwide for the brands: Genie, Terex, JLG, MultiQuip, Mikasa, Essick, Whiteman, Mayco, Toro Stone, Diamond Products, Generac Magnum, Airman, Haulotte, Barreto, Power Blanket, Nifty Lift, Atlas Copco, Chicago Pneumatic, Allmand, Miller Curber, Skyjack, Lull, Skytrak, Tsurumi, Husquvarna Target, Stow, Wacker, Sakai, Mi-T-M, Sullair, Basic, Dynapac, MBW, Weber, Bartell, Bennar Newman, Haulotte, Ditch Runner, Menegotti, Morrison, Contec, Buddy, Crown, Edco, Wyco, Bomag, Laymor, EZ Trench, Bil-Jax, F.S. Curtis, Gehl Pavers, Heli, Honda, ICS/PowerGrit, IHI, Partner, Imer, Clipper, MMD, Koshin, Rice, CH&E, General Equipment, Amida, Coleman, NAC, Gradall, Square Shooter, Kent, Stanley, Tamco, Toku, Hatz, Kohler, Robin, Wisconsin, Northrock, Oztec, Toker TK, Rol-Air, APT, Wylie, Ingersoll Rand / Doosan, Innovatech, Con X, Ammann, Mecalac, Makinex, Smith Surface Prep, Small Line, Wanco, Yanmar



<b>Id</b>	<b>Qty</b>	<b>Number</b>	<b>Name</b>	<b>Specifications</b>
10	1	1603041500	Pressure valve	
30	2	0347611300	HOSE CLIP	

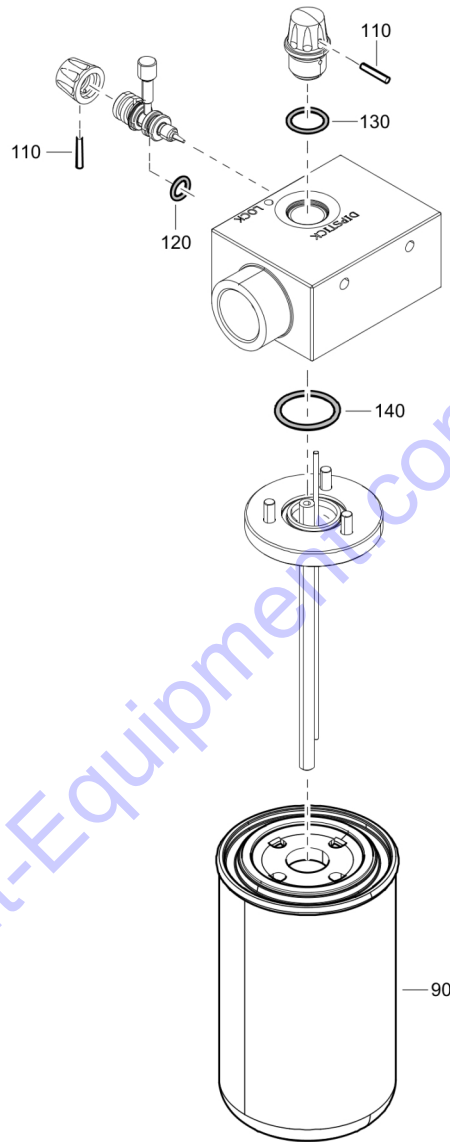
Go to Discount-Equipment.com to order your parts



Go to Discount-Equipment.com to order your parts

<b>Id</b>	<b>Qty</b>	<b>Number</b>	<b>Name</b>	<b>Specifications</b>
10	1	1630160008	Plate	

Go to Discount-Equipment.com to order your parts

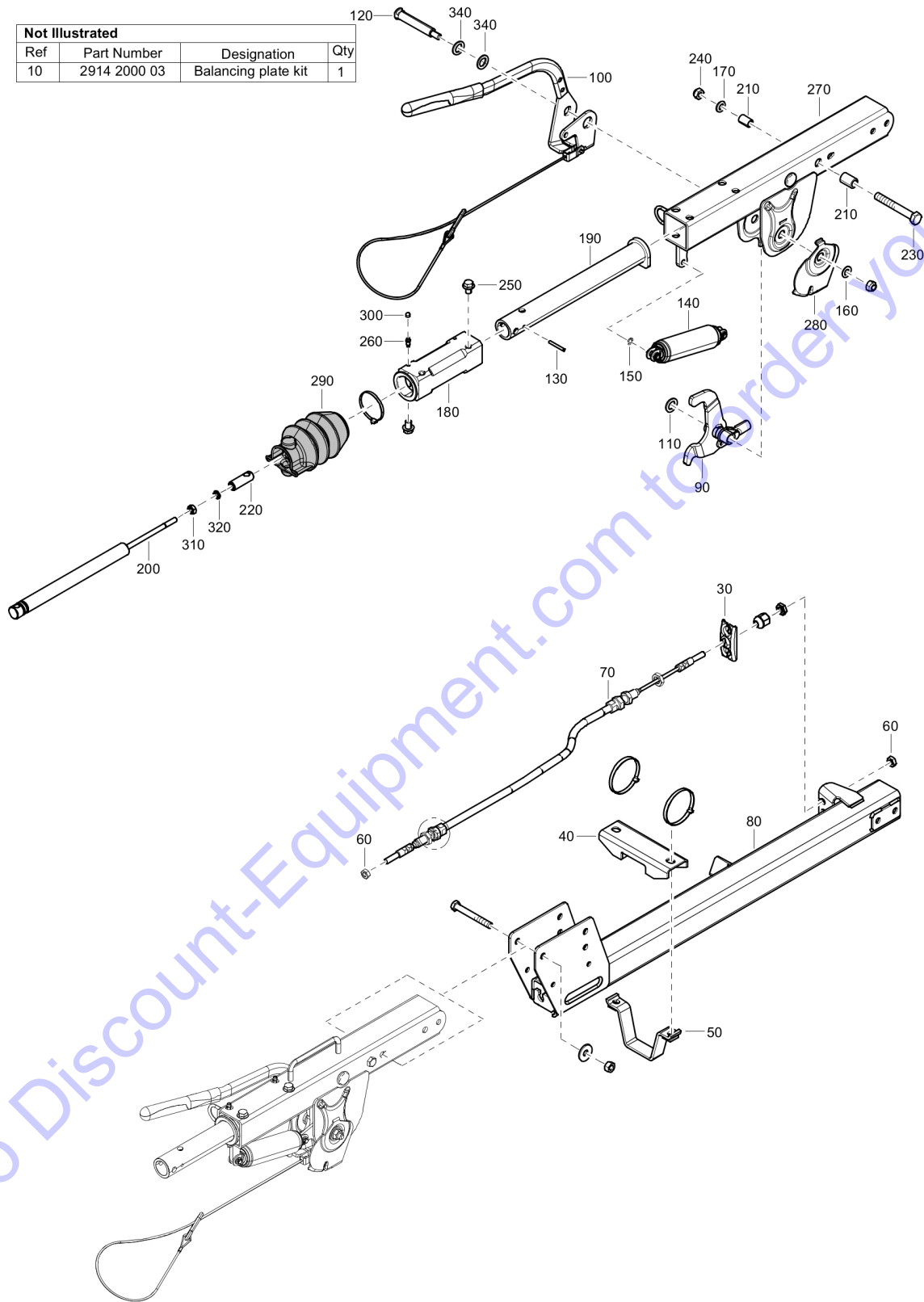


Go to Discount-Equipment.com to order your parts

Id	Qty	Number	Name	Specifications
90	1	1638252600	BOWL	
110	2	0103127500	PIN	
120	1	0663311600	O-RING	
130	1	0663210540	O-RING 17.93X2.46	
140	1	0663212900	O-RING	

Go to Discount-Equipment.com to order your parts

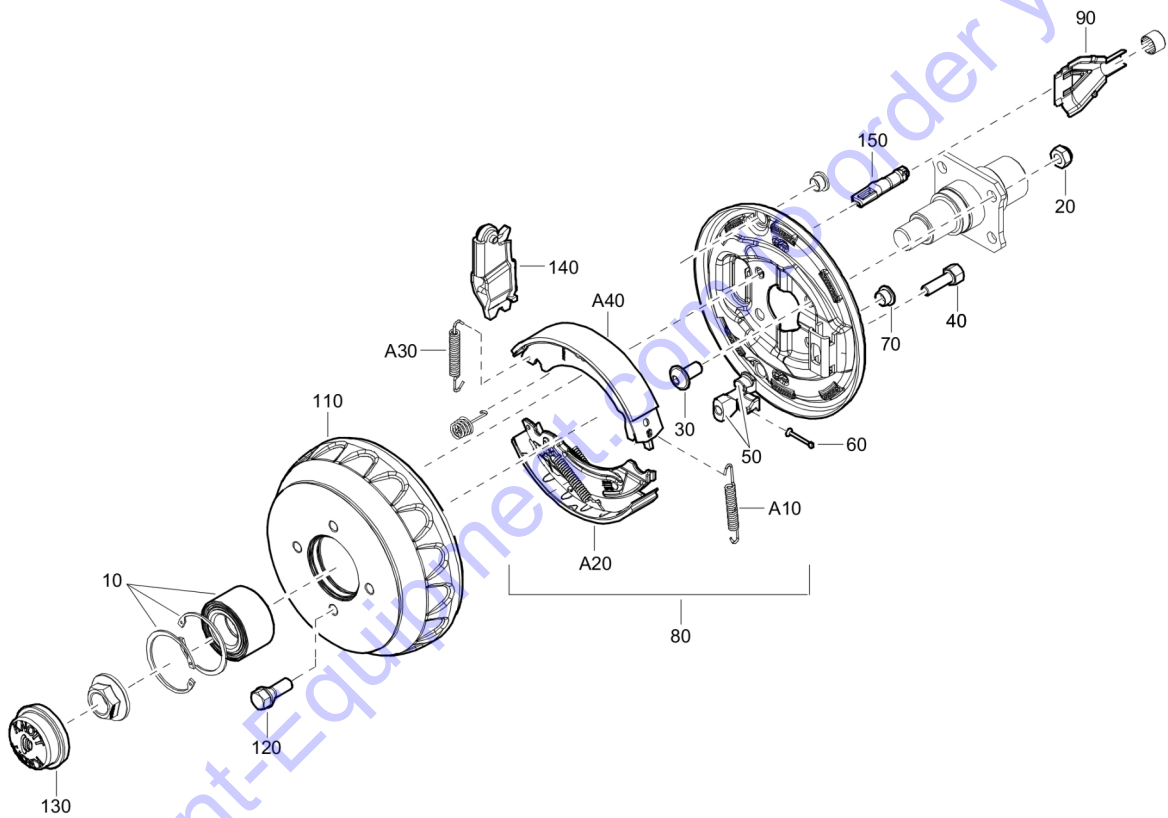
Not Illustrated			
Ref	Part Number	Designation	Qty
10	2914 2000 03	Balancing plate kit	1





<b>Id</b>	<b>Qty</b>	<b>Number</b>	<b>Name</b>	<b>Specifications</b>
10	1	2914200003	BALANCING PLATE KIT	
30	1	2914200004	OVERRUN BRAKE	
40	1	2914102807	CLAMP	
50	1	2914102801	BRACKET CLAMP	
60	1	2914103021	NUT	
70	1	2914102802	BRAKE CABLE ASSY	
80	1	2914200005	DRAWBAR REAR PIECE	
90	1	2914200006	BRAKE LEVER	
100	1	2914200007	HANDBRAKE LEVER	
110	1	2914200008	DISK	
120	1	2914200009	BOLT	
130	1	2914103000	CYLINDER PIN	
140	1	2914200010	DAMPED SPRING	
150	2	2914103001	LOCKWASHER	
160	1	2914257700	WASHER	
170	1	2914200011	WASHER	
180	1	2914103015	BUSH	
190	1	2914103017	EYE HOUSING	
200	1	2914103018	ABSORBER	
210	2	2914103011	DISTANCE SLEEVE	
220	1	2914103019	PISTON	
230	1	2914103010	HEX BOLT	
240	2	2914257800	NUT	
250	4	2914103003	LOCKING SCREW	
260	2	2914103016	LUBRICATING NIPPLE	
270	1	2914200012	OVERRUN BRAKE HOUSING	
280	1	2914200013	SLIDING PIECE	
290	1	2914103022	BELLOWS	
300	2	2914103004	CAP	
310	4	2914103021	NUT	
320	1	2914103020	RING	
340	2	2914200014	PLASTIC WASHER	

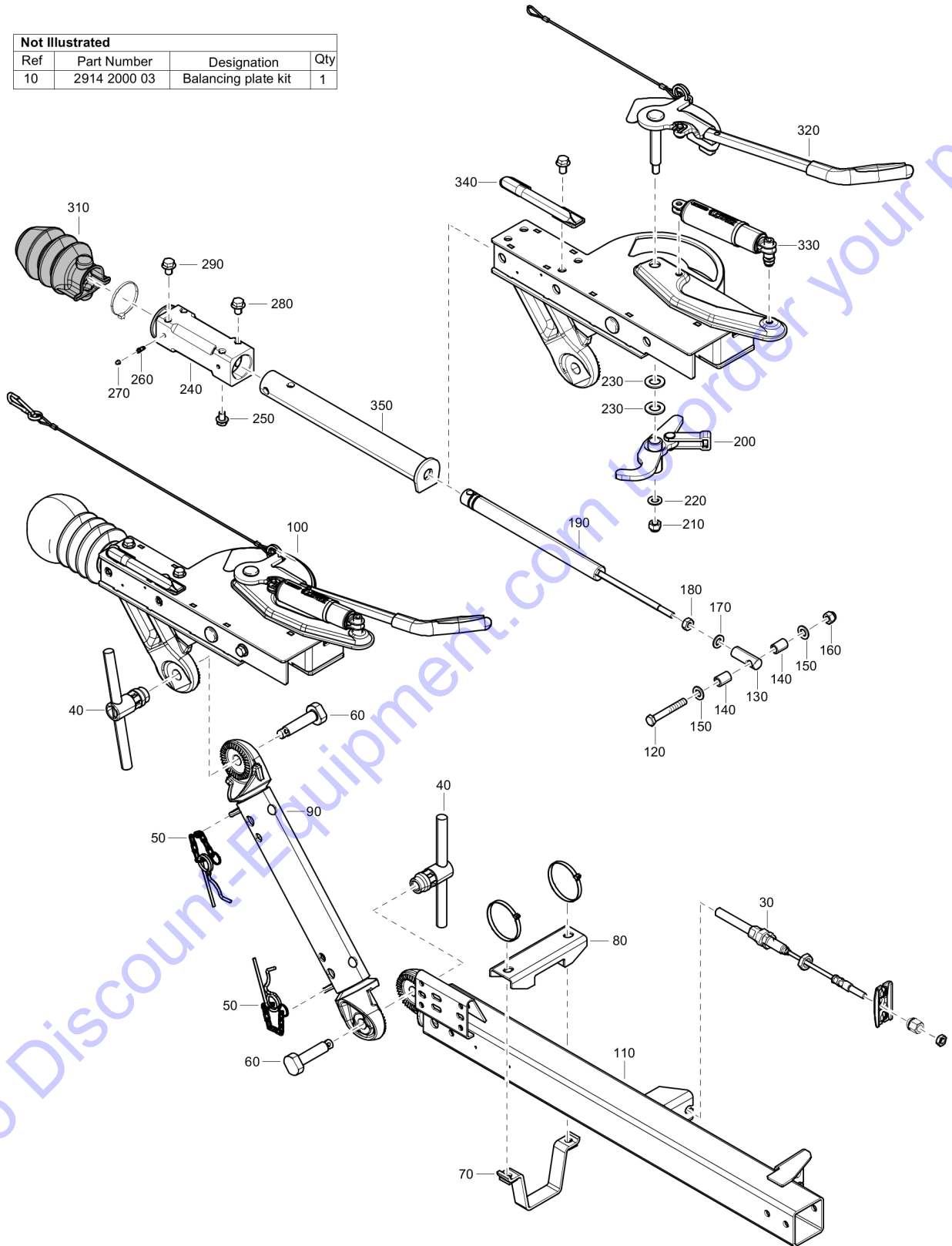
Go to DiscountEquipment.com to order your parts



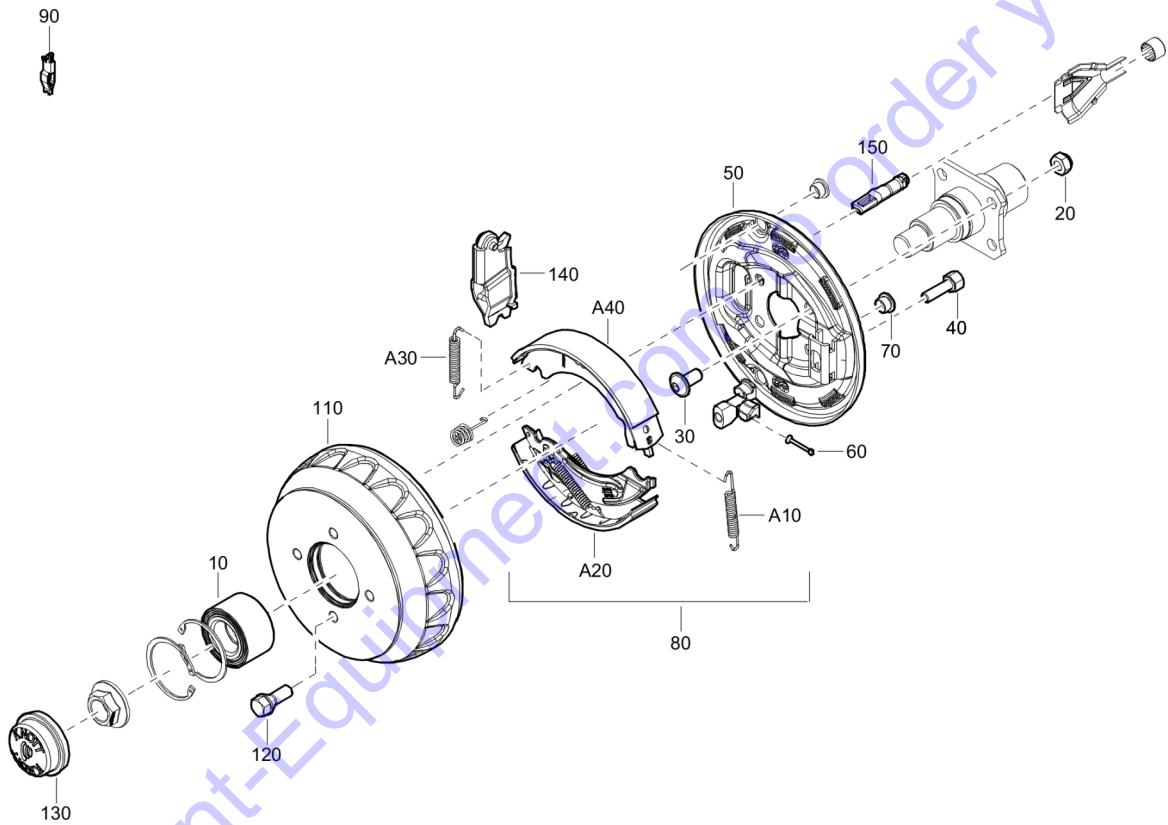
Id	Qty	Number	Name	Specifications
10	1	2914102603	BEARING BALL	
20	4	2914257800	NUT	
30	4	2914104000	HEX. SOCKET SCREW	
40	1	2914104100	ADJUSTMENT BOLT	
50	2	2914104200	ADJUSTMENT BLOCK	
60	1	2914104300	ADJUSTMENT BOLT	
70	2	2914104400	PLUG	
80	1	2911000065	BRAKE SHOE KIT	
90	1	2914102608	CLASP	
110	1	2914105000	BRAKE DRUM ASSEMBLY	
120	4	2914049300	WHEEL BOLT CONICAL 60	
130	1	2914102601	HUB CAP	
140	1	2914102607	SPREAD LEVER	
150	1	2914105100	HOOKING FORK	

Go to Discount-Equipment.com to order your parts

Not Illustrated			
Ref	Part Number	Designation	Qty
10	2914 2000 03	Balancing plate kit	1

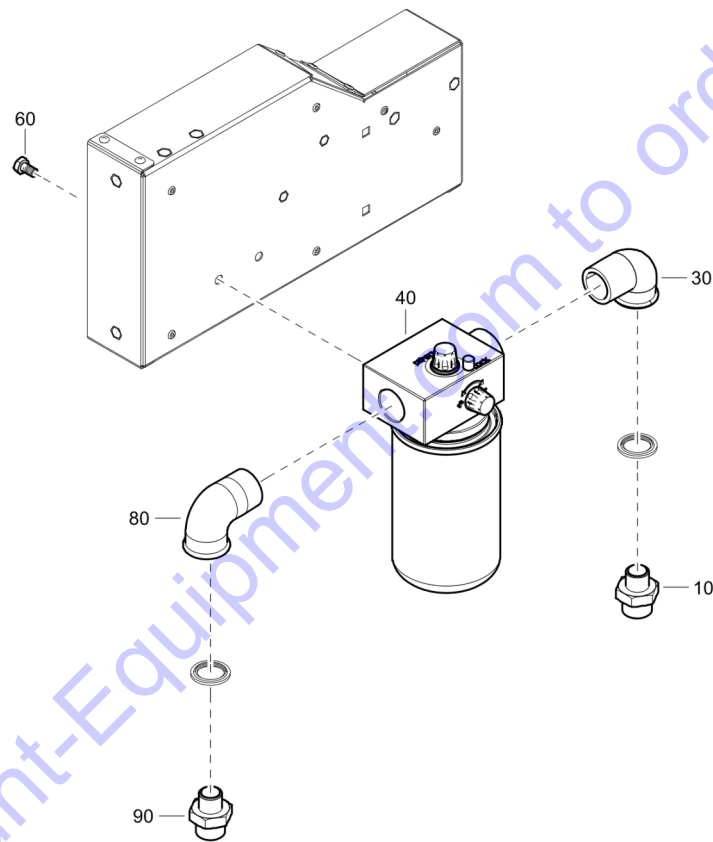


<b>Id</b>	<b>Qty</b>	<b>Number</b>	<b>Name</b>	<b>Specifications</b>
10	1	2914200003	BALANCING PLATE KIT	
30	1	2914102802	BRAKE CABLE ASSY	
40	2	2914102804	TOMMY NUT	
50	2	2914200017	COTTER PIN	
60	2	2914102803	BOLT	
70	1	2914200020	CLAMPING BRACKET	
80	1	2914200016	CLAMPING PATH	
90	1	2914200019	SPACER	
100	1	2914200021	OVERRUN BRAKE	
110	1	2914200022	DRAWBAR BOTTOM PIECE	
120	1	2914103010	HEX BOLT	
130	1	2914103019	PISTON	
140	2	2914103011	DISTANCE SLEEVE	
150	2	2914257700	WASHER	
160	4	2914257800	NUT	
170	1	2914103020	RING	
180	1	2914103021	NUT	
190	1	2914103018	ABSORBER	
200	1	2914200023	BRAKE LEVER	
210	4	2914257800	NUT	
220	2	2914257700	WASHER	
230	2	2914200014	PLASTIC WASHER	
240	1	2914103015	BUSH	
250	4	2914103003	LOCKING SCREW	
260	2	2914103016	LUBRICATING NIPPLE	
270	2	2914103004	CAP	
280	2	2914103003	LOCKING SCREW	
290	2	2914200026	LOCKING SCREW	
310	1	2914103022	BELLOWS	
320	1	2914200024	HANDBRAKE	
330	1	2914200025	DAMPED SPRING KIT	
340	1	2914103403	HANDGRIP	
350	1	2914103017	EYE HOUSING	



Id	Qty	Number	Name	Specifications
10	1	2914102603	BEARING BALL	
20	4	2914257800	NUT	
30	4	2914104000	HEX. SOCKET SCREW	
40	1	2914104100	ADJUSTMENT BOLT	
50	2	2914104200	ADJUSTMENT BLOCK	
60	1	2914104300	ADJUSTMENT BOLT	
70	1	2914104400	PLUG	
80	1	2911000065	BRAKE SHOE KIT	
90	1	2914102608	CLASP	
110	1	2914105000	BRAKE DRUM ASSEMBLY	
120	4	2914049300	WHEEL BOLT CONICAL 60	
130	1	2914102601	HUB CAP	
140	1	2914102607	SPREAD LEVER	
150	1	2914105100	HOOKING FORK	

Go to Discount-Equipment.com to order your parts

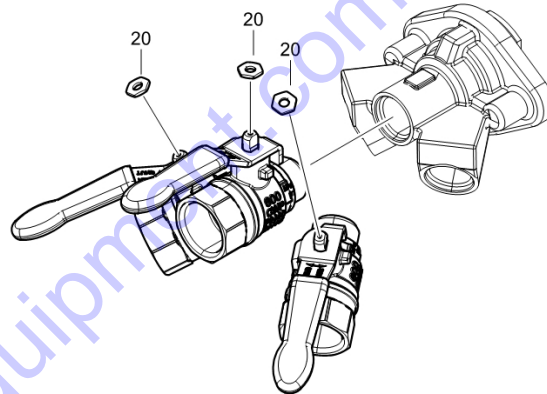


Go to Discount-Equipment.com to order your parts



Id	Qty	Number	Name	Specifications
10	1	0571003572	FITTING	
30	1	0560020002	ELBOW	
40	1	1638121680	LUBRICATOR	
60	2	0147132103	HEX. BOLT M8X14X8.8	
80	1	0560020002	ELBOW	
90	1	0571003572	FITTING	

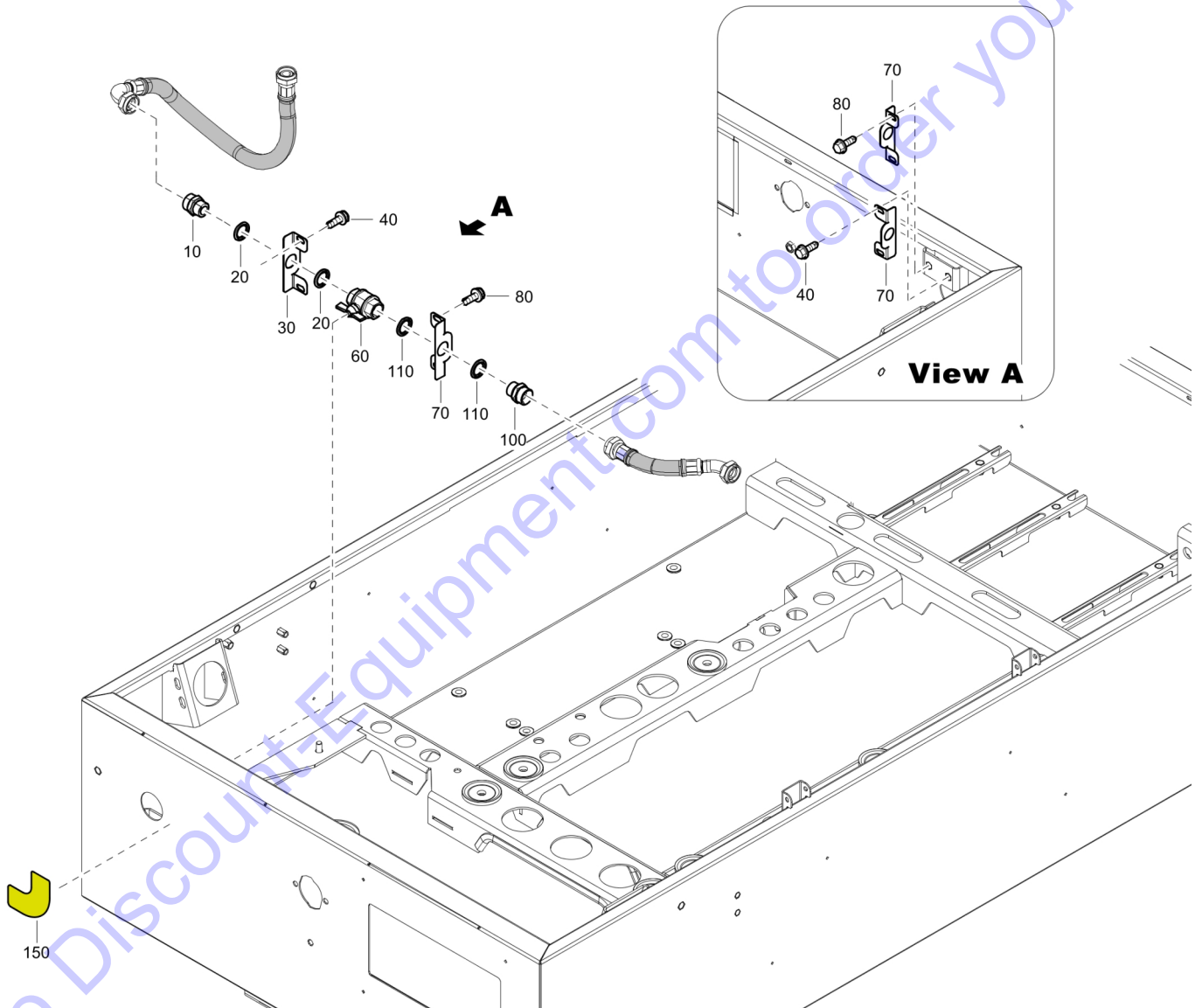
Go to Discount-Equipment.com to order your parts



Go to Discount-Equipment.com to order your parts

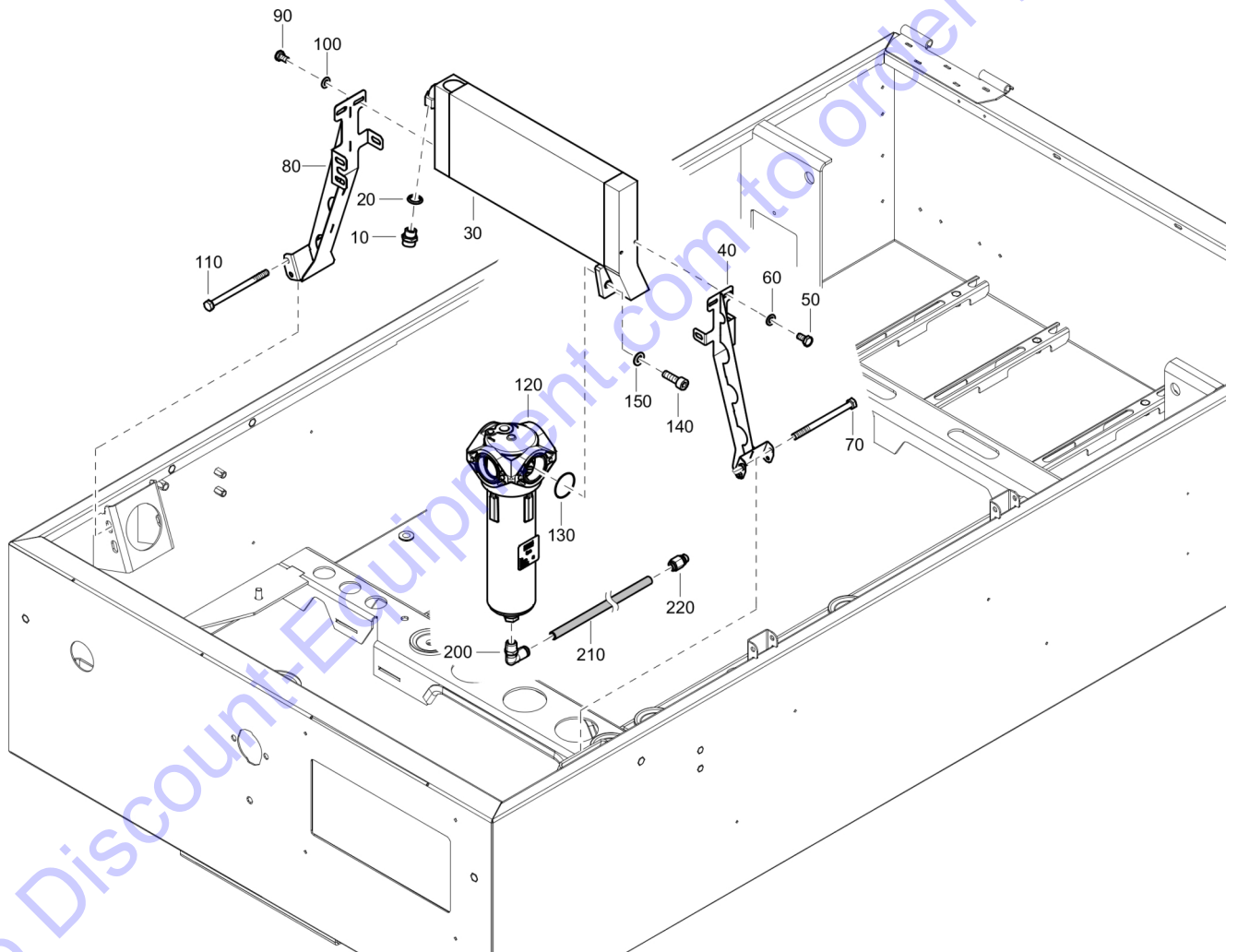
Id	Qty	Number	Name	Specifications
20	1	0261210800	HEXAGON NUT M6	

Go to Discount-Equipment.com to order your parts



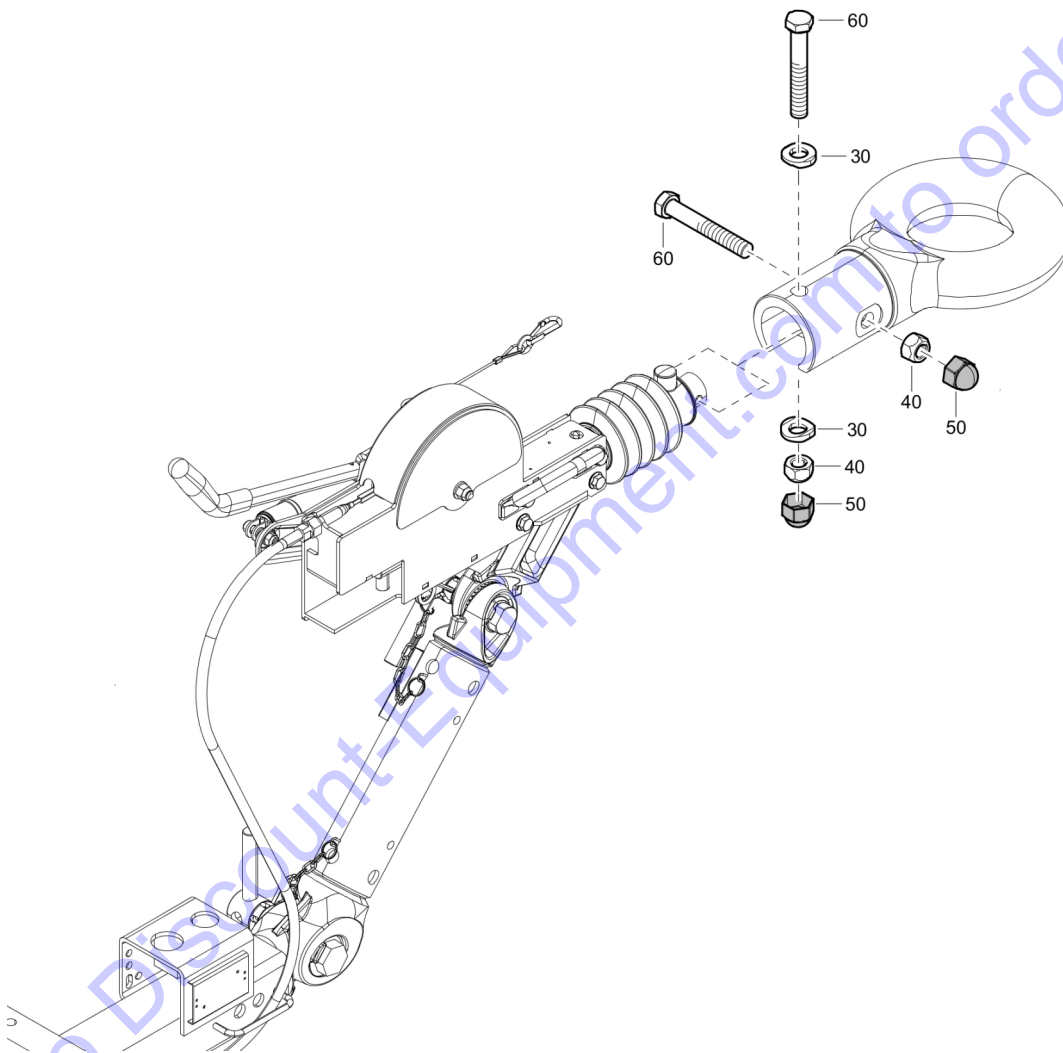
Id	Qty	Number	Name	Specifications
10	1	1619624900	NIPPLE	
20	2	0661100029	WASHER M26	
30	1	1638565202	BRACKET	
40	2	1619276600	SCR.BOLT M8X20	
60	1	0852001154	VALVE BALL	
70	1	1638565202	BRACKET	
80	2	1619276600	SCR.BOLT M8X20	
100	1	1619624900	NIPPLE	
110	2	0661100029	WASHER M26	
150	1	1638686350	DECAL	

Go to Discount-Equipment.com to order your parts



Id	Qty	Number	Name	Specifications
10	1	1619624900	NIPPLE	
20	1	0661100029	WASHER M26	
30	1	1638809101	COOLER AFTER	
40	1	1638796400	SUPPORT	
50	2	0147132003	HEXAGON BOLT	
60	2	0301233500	PLAIN WASHER(A) 8.4 X 16 X 1.6	
70	2	0147134203	SCREW:M8X110L 8.8 ZP-STL	
80	1	1638796400	SUPPORT	
90	2	0147132003	HEXAGON BOLT	
100	2	0301233500	PLAIN WASHER(A) 8.4 X 16 X 1.6	
110	2	0147134203	SCREW:M8X110L 8.8 ZP-STL	
120	1	1613935680	WSD80 (16 BAR) SF D	
130	1	0663713600	O-RING 59.5X3	
140	2	0211136303	SCREW:M10X 30;SOC HD CAP	
150	2	0301234400	PLAIN WASHER M10	
200	1	0583812086	COUPLING	
210		0070600205	PLASTIC TUBE	
220	1	0583812087	ELBOW COUPLING R3/8 X 8	

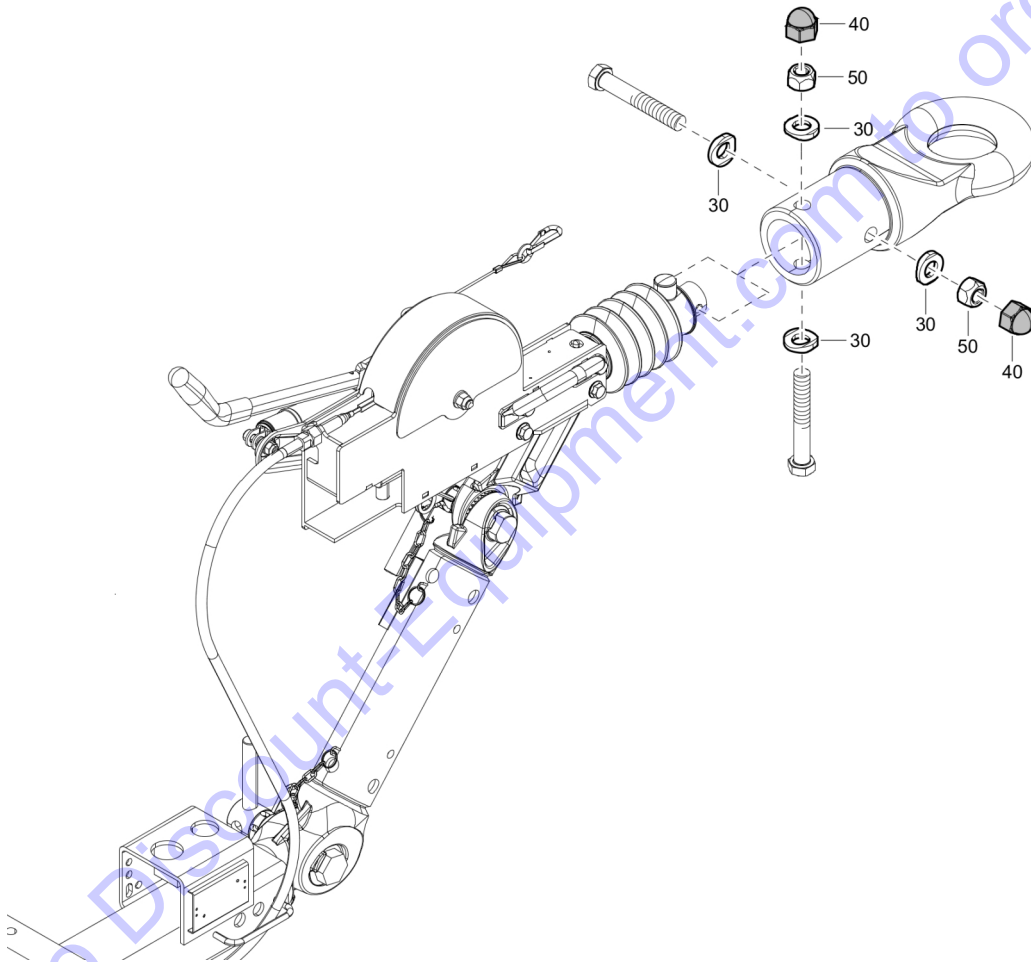
Go to Discount-Equipment.com to order your parts





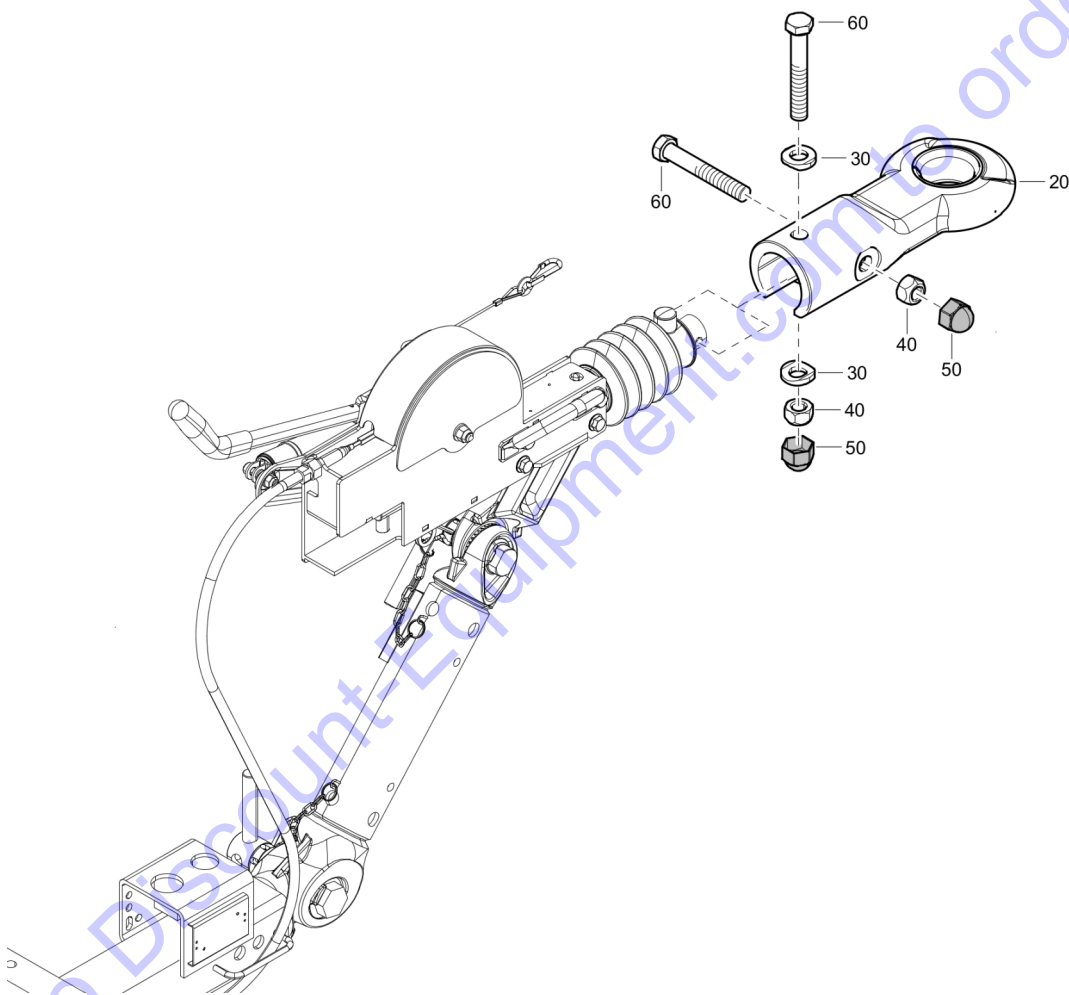
<b>Id</b>	<b>Qty</b>	<b>Number</b>	<b>Name</b>	<b>Specifications</b>
30	2	1638308300	WASHER PLAIN	
40	2	1638308800	NUT LOCK	
50	2	1638308900	CAP	
60	2	0147196304	SCREW	

Go to Discount-Equipment.com to order your parts



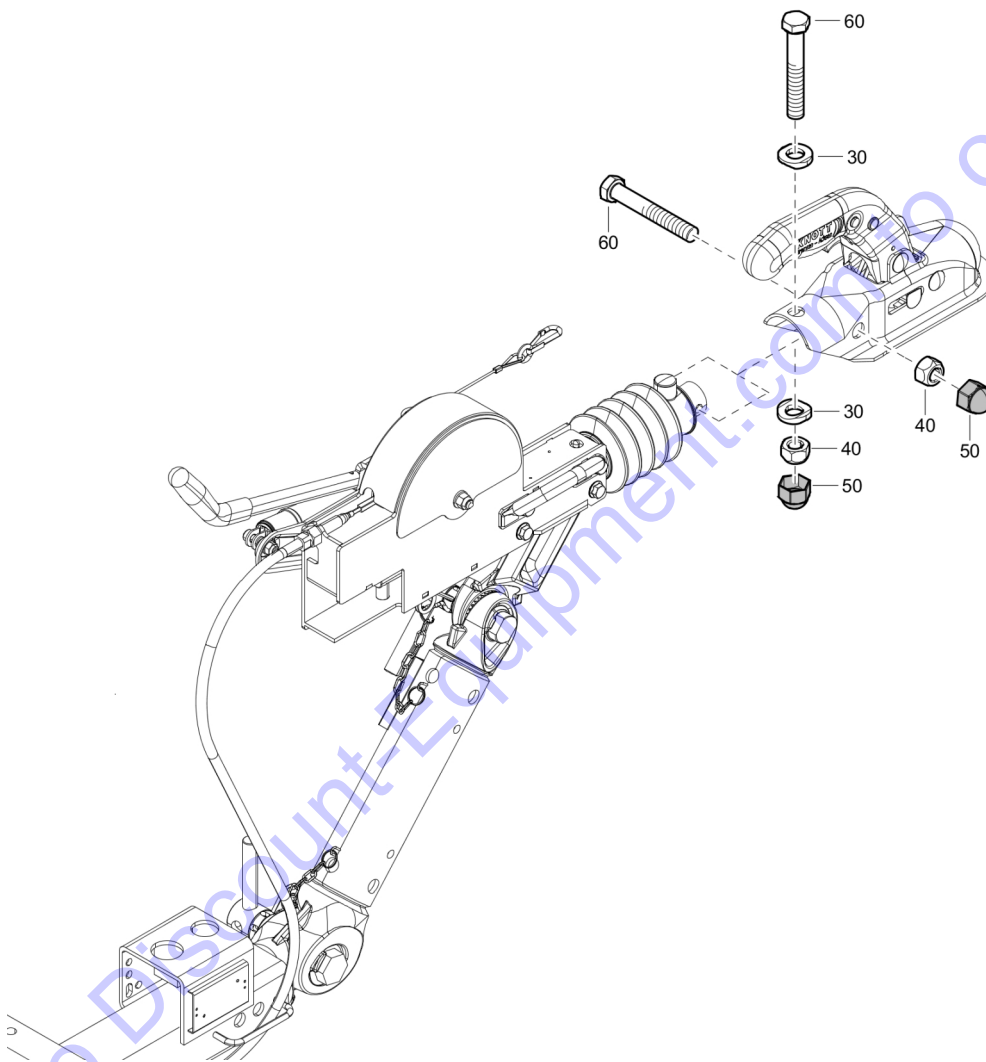
<b>Id</b>	<b>Qty</b>	<b>Number</b>	<b>Name</b>	<b>Specifications</b>
20	1	1638308000	Eye towing gb d50	
30	4	1638308300	WASHER PLAIN	
40	2	1638308900	CAP	
50	2	1638308800	NUT LOCK	

Go to Discount-Equipment.com to order your parts



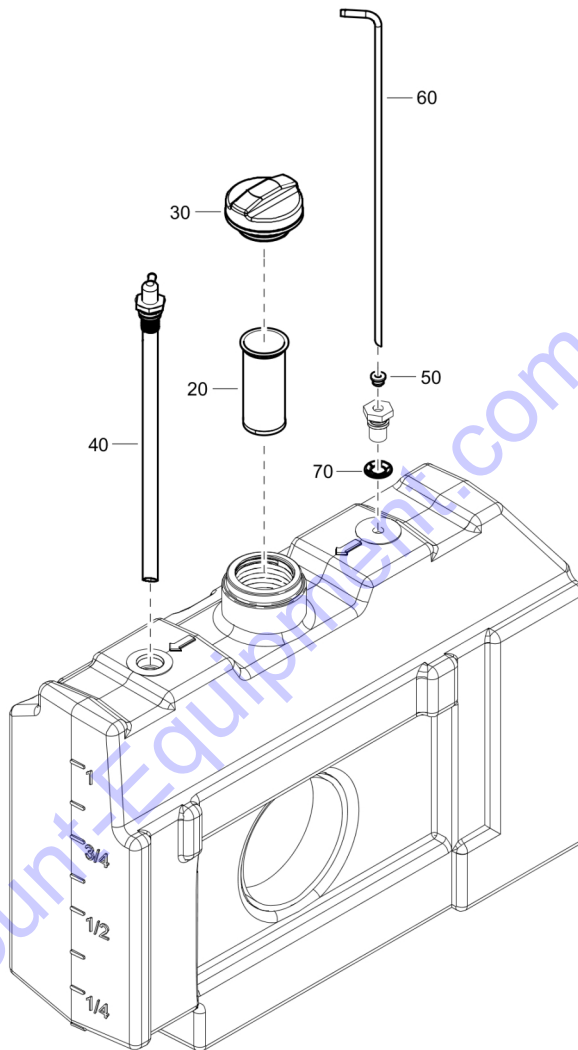
Id	Qty	Number	Name	Specifications
20	1	1638307900	EYE TOWING DIN	
30	2	1638308300	WASHER PLAIN	
40	2	1638308800	NUT LOCK	
50	2	1638308900	CAP	
60	2	0147196304	SCREW	

Go to Discount-Equipment.com to order your parts



<b>Id</b>	<b>Qty</b>	<b>Number</b>	<b>Name</b>	<b>Specifications</b>
30	1	1638308300	WASHER PLAIN	
40	2	1638308800	NUT LOCK	
50	1	1638308900	CAP	
60	2	0147196303	HEX. HEAD SCREW M12X70-10.9	

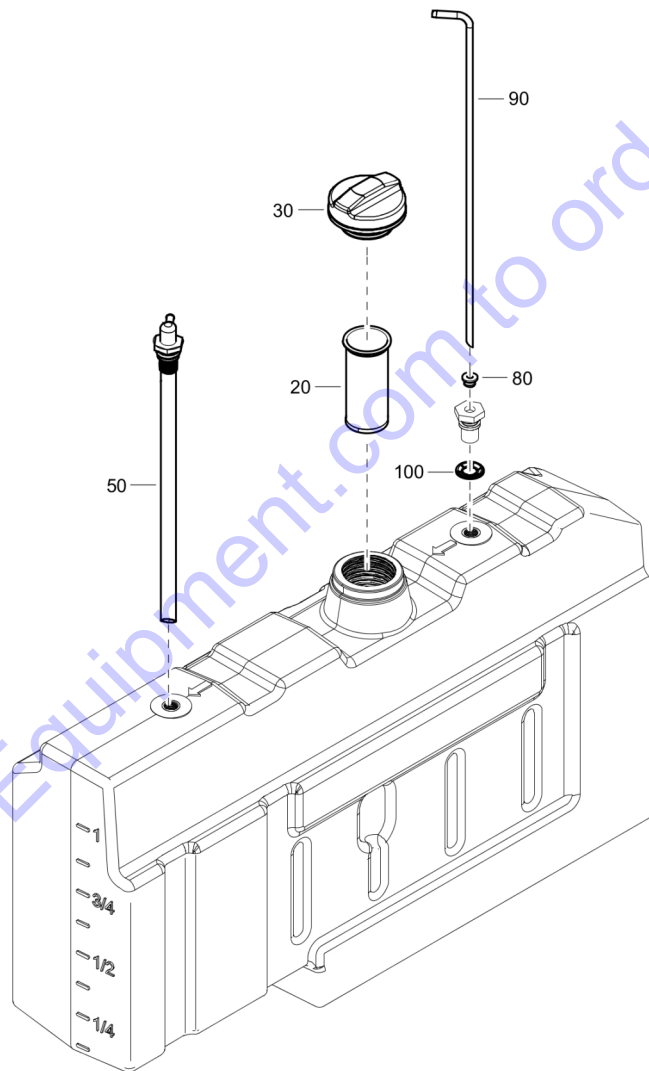
Go to Discount-Equipment.com to order your parts





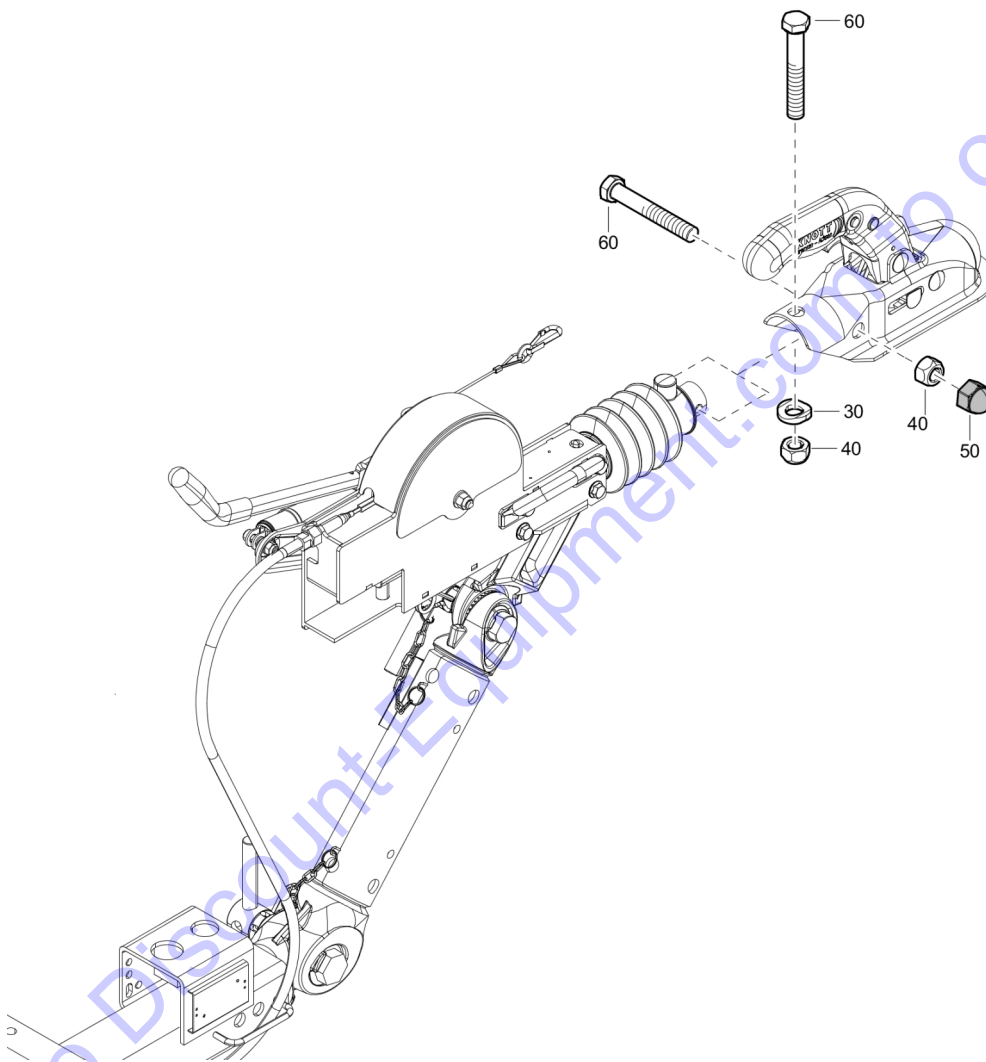
Id	Qty	Number	Name	Specifications
20	1	1626958300	STRAINER	
30	1	1626959000	Cap fuel	
40	1	1638144800	NIPPLE HEXAGON	
50	1	1615851600	GROMMET	
60		1638144901	TUBE -	
70	1	0335300009	RING	

Go to Discount-Equipment.com to order your parts



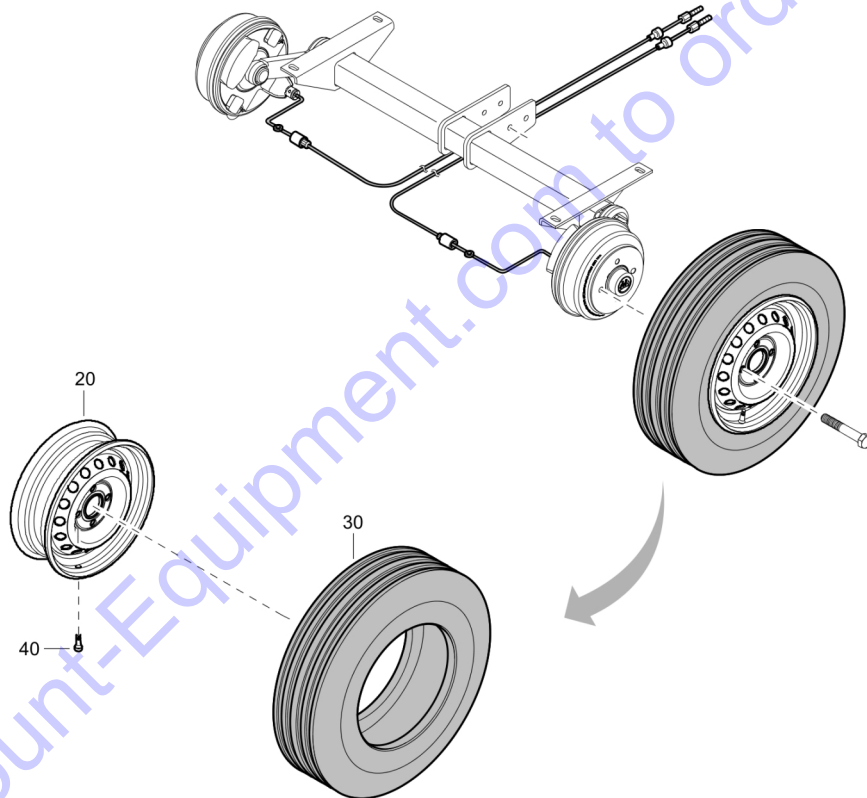
Id	Qty	Number	Name	Specifications
20	1	1626958300	STRAINER	
30	1	1626959000	Cap fuel	
50	1	1638144800	NIPPLE HEXAGON	
80	1	1615851600	GROMMET	
90		1638144901	TUBE -	
100	1	0335300009	RING	

Go to Discount-Equipment.com to order your parts



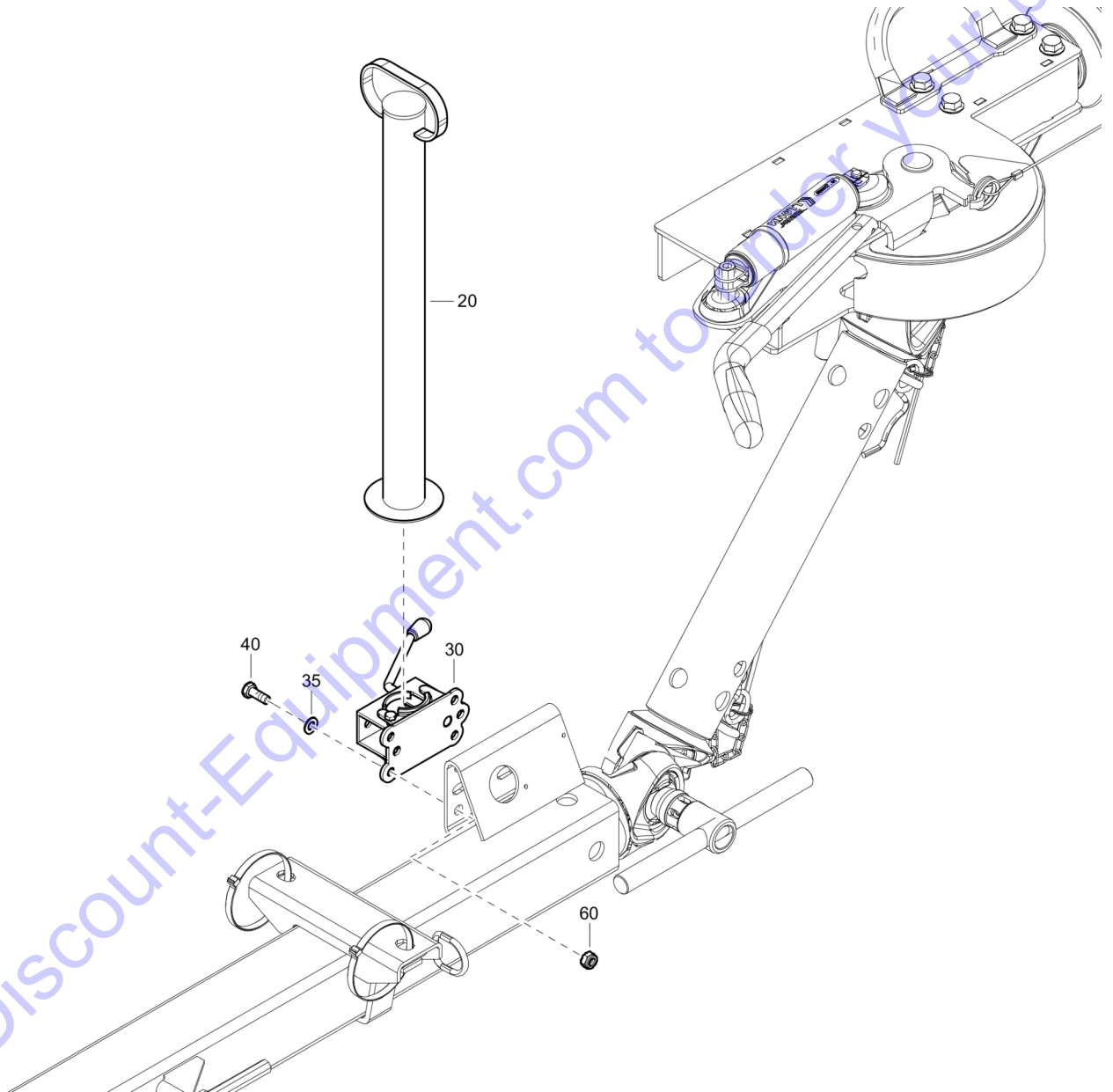
<b>Id</b>	<b>Qty</b>	<b>Number</b>	<b>Name</b>	<b>Specifications</b>
30	1	1638308300	WASHER PLAIN	
40	2	1638308800	NUT LOCK	
50	1	1638308900	CAP	
60	2	0147196303	HEX. HEAD SCREW M12X70-10.9	

Go to Discount-Equipment.com to order your parts



<b>Id</b>	<b>Qty</b>	<b>Number</b>	<b>Name</b>	<b>Specifications</b>
20	1	1604033200	DISC WHEEL	
30	1	0538040020	TIRE	
40	1	1615632200	VENTIL	

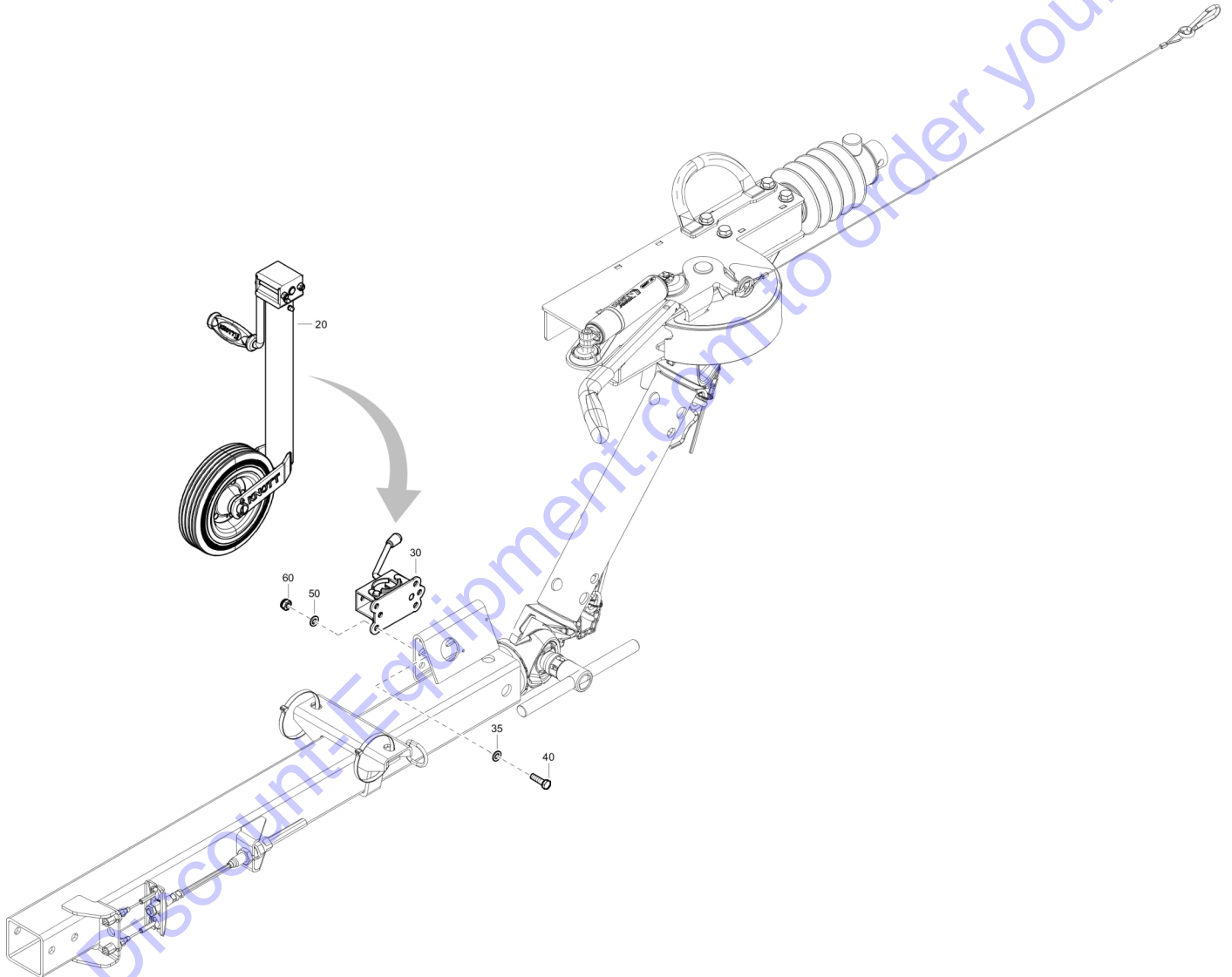
Go to Discount-Equipment.com to order your parts





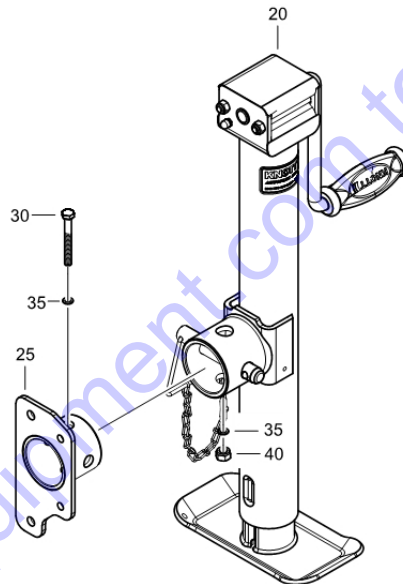
Id	Qty	Number	Name	Specifications
20	1	1638592600	SUPPORT	
30	1	1638524700	CLAMP	
35	4	0301234400	PLAIN WASHER M10	
40	4	0147136203	HEX. HEAD SCREW M10 X 25	
60	4	0291111100	LOCK NUT M10	

Go to Discount-Equipment.com to order your parts



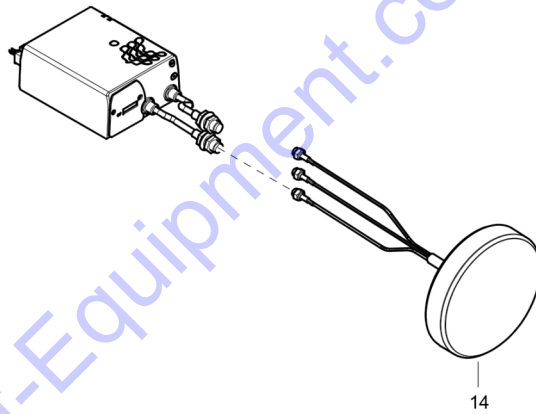
Id	Qty	Number	Name	Specifications
20	1	1638592500	JOCKEY WHEEL	
30	1	1638524700	CLAMP	
35	4	0301234400	PLAIN WASHER M10	
40	4	9125718100	SCREW	
50	4	0301234400	PLAIN WASHER M10	
60	4	0291111100	LOCK NUT M10	

Go to Discount-Equipment.com to order your parts



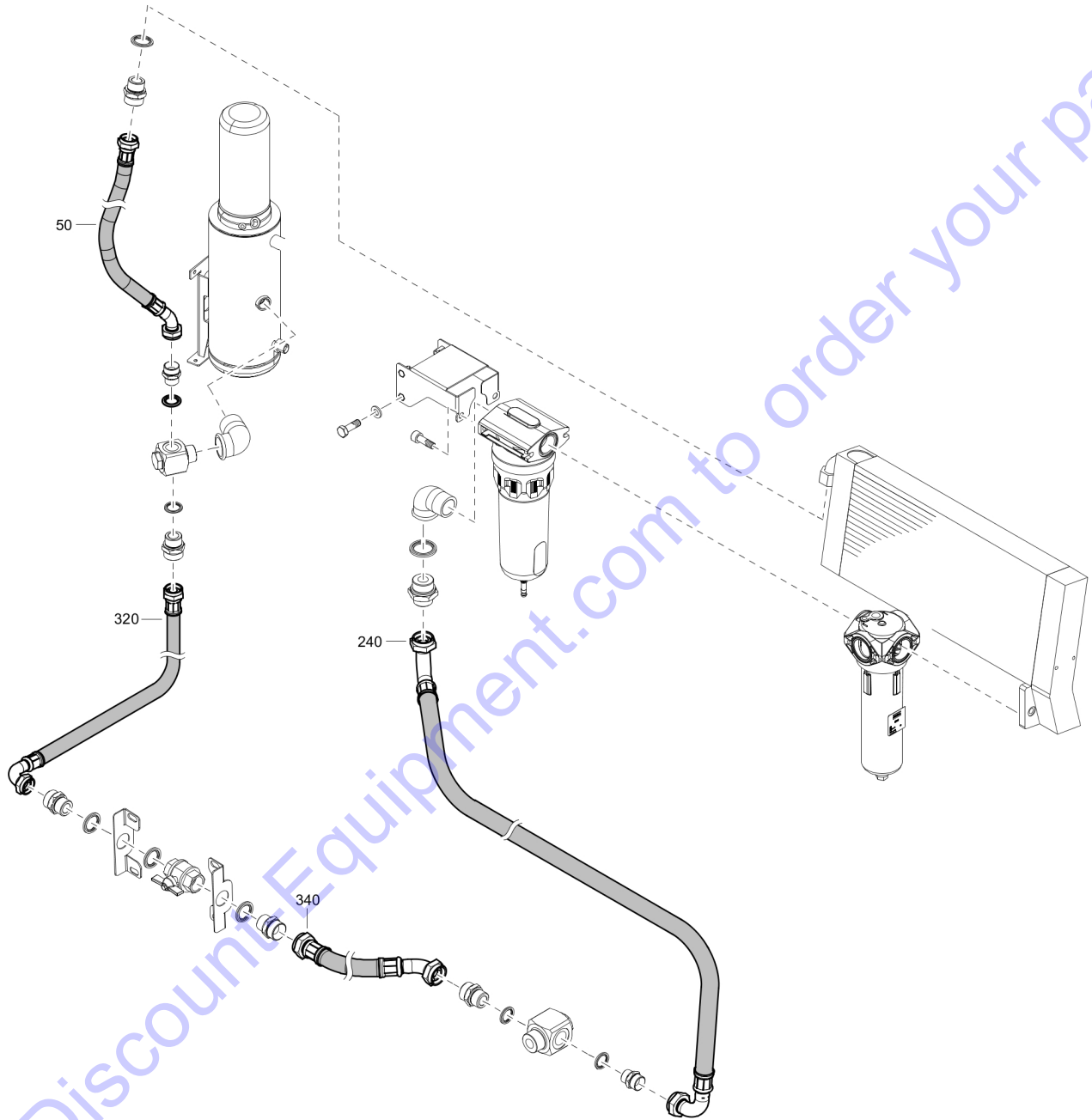
Id	Qty	Number	Name	Specifications
20	1	1638905700	SUPPORT LEG	
25	1	1638907601	PLATE ANCHOR	
30	2	0147136303	SCREW:M10X 30;HEX HD,ZN PLT,\$S	
35	2	0301234400	PLAIN WASHER M10	
40	2	0291111100	LOCK NUT M10	

Go to Discount-Equipment.com to order your parts



Id	Qty	Number	Name	Specifications
14	1	1638911500	ANTENNA	

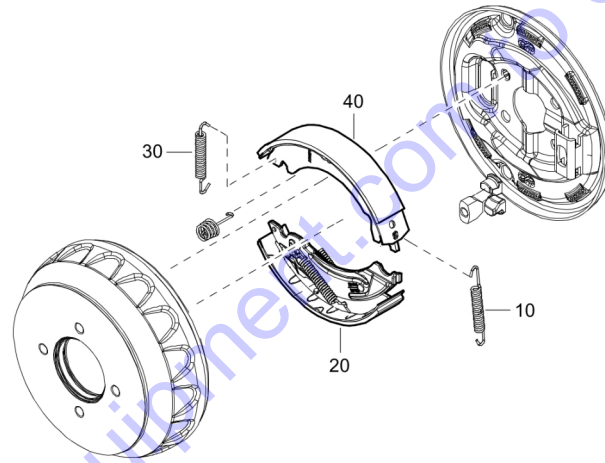
Go to Discount-Equipment.com to order your parts





Id	Qty	Number	Name	Specifications
50	1	1638549400	HOSE ASSEMBLY	
240	1	1638789000	HOSE ASSEMBLY	
320	1	1638547700	HOSE ASSEMBLY	
340	1	1638549600	HOSE ASSEMBLY	

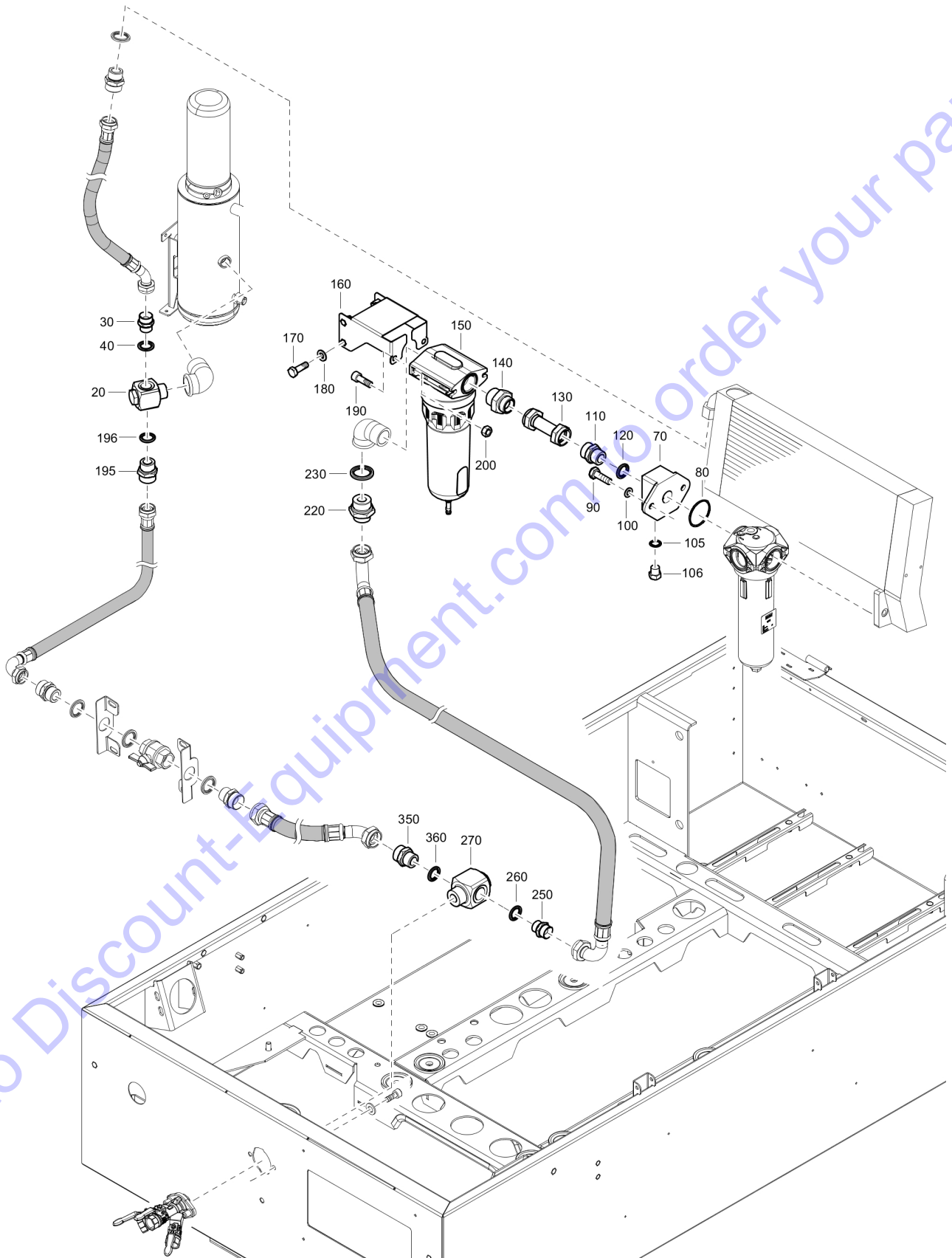
Go to Discount-Equipment.com to order your parts



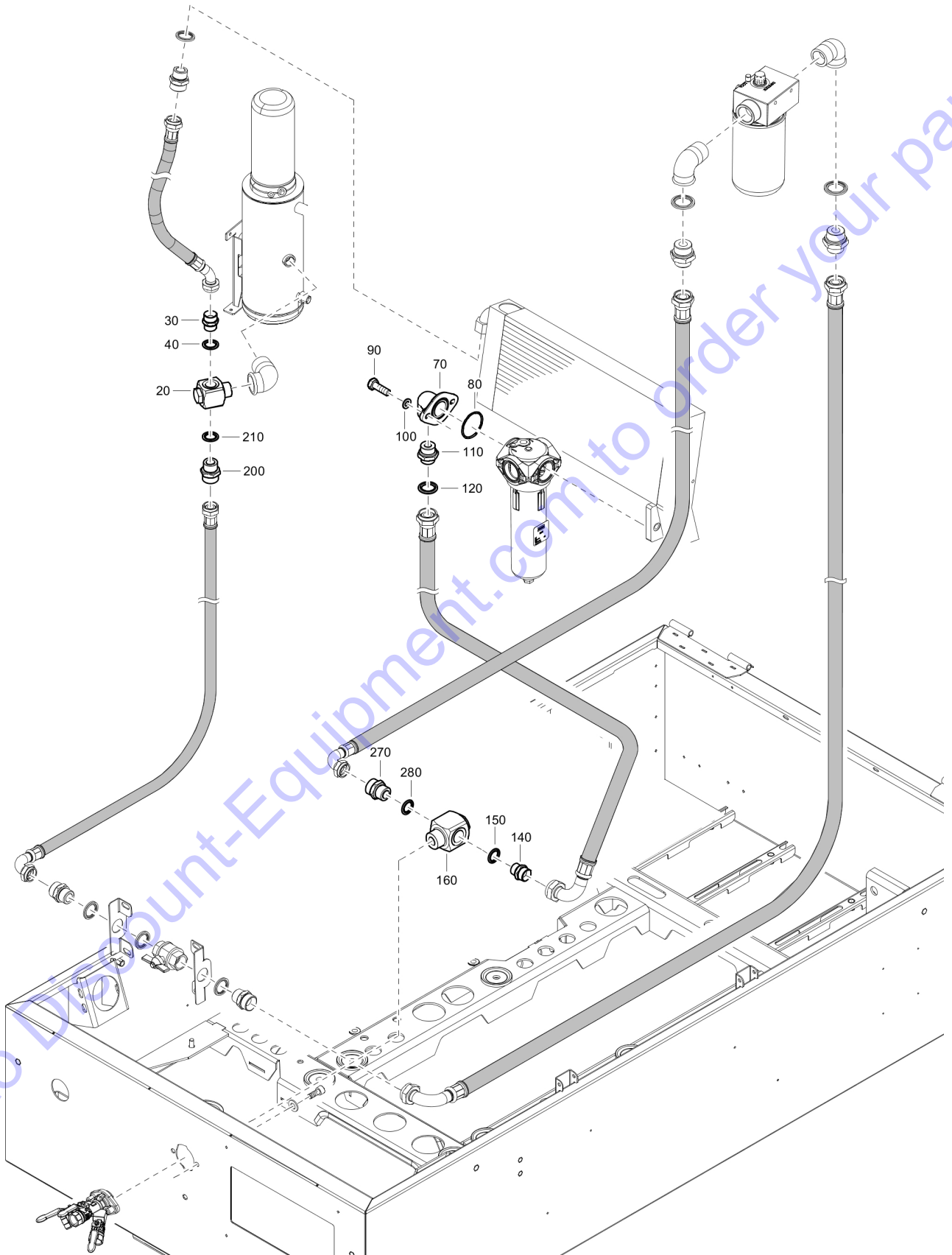
Go to Discount-Equipment.com to order your parts

<b>Id</b>	<b>Qty</b>	<b>Number</b>	<b>Name</b>	<b>Specifications</b>
10	1	2914104500	SPRING	
20	1	2914104600	Brake shoe	
30	1	2914104700	SPRING	
40	1	2914104800	Brake shoe	

Go to Discount-Equipment.com to order your parts



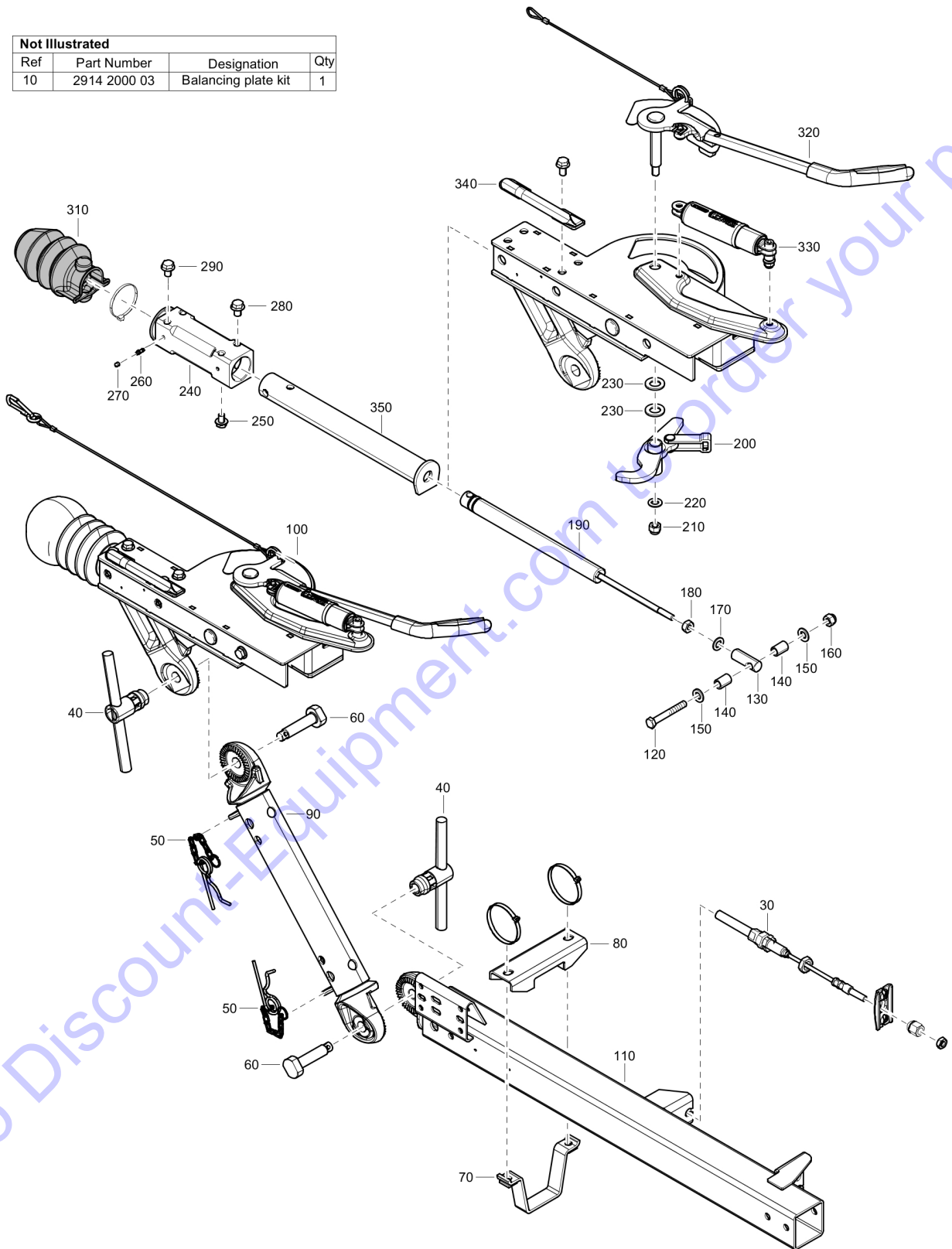
Id	Qty	Number	Name	Specifications
20	1	1638249100	MANIFOLD	
30	1	1619624900	NIPPLE	
40	1	0661100029	WASHER M26	
70	1	1638400600	Manifold	
80	1	0663713600	O-RING 59.5X3	
90	2	0147136303	SCREW:M10X 30;HEX HD,ZN PLT,\$S	
100	2	0301234400	PLAIN WASHER M10	
105	1	0301235800	PLAIN WASHER(A) 13 X 24 X 2.5	
106	1	0686310119	PLUG HEXAGON	
110	1	1619624900	NIPPLE	
120	1	0661100029	WASHER M26	
130	1	1638590500	PIPE	
140	1	0571003622	NIPPLE M30X1,5 X ISO7-R 1	
150	1	8102265314	FILTER PD90 (G 1)	
160	1	1638589401	SUPPORT	
170	3	0147132503	HEX. HEAD SCREW	
180	3	0301233500	PLAIN WASHER(A) 8.4 X 16 X 1.6	
190	2	0211132303	HEX. SOCK. SCREW	
195	1	1619624900	NIPPLE	
196	1	0661100029	WASHER M26	
200	2	0266211000	HEXAGON NUT M8	
220	1	0571003572	FITTING	
230	1	0661104900	SEAL WASHER	
250	1	1619624900	NIPPLE	
260	1	0661100029	WASHER M26	
270	1	1638249100	MANIFOLD	
350	1	1619624900	NIPPLE	
360	1	0661100029	WASHER M26	



<b>Id</b>	<b>Qty</b>	<b>Number</b>	<b>Name</b>	<b>Specifications</b>
20	1	1638249100	MANIFOLD	
30	1	1619624900	NIPPLE	
40	1	0661100029	WASHER M26	
70	1	1604401901	CONNECTOR	
80	1	0663713600	O-RING 59.5X3	
90	2	0147136303	SCREW:M10X 30;HEX HD,ZN PLT,\$S	
100	2	0301234400	PLAIN WASHER M10	
110	1	0571003572	FITTING	
120	1	0661104900	SEAL WASHER	
140	1	1619624900	NIPPLE	
150	1	0661100029	WASHER M26	
160	1	1638249100	MANIFOLD	
200	1	1619624900	NIPPLE	
210	1	0661100029	WASHER M26	
270	1	1619624900	NIPPLE	
280	1	0661100029	WASHER M26	

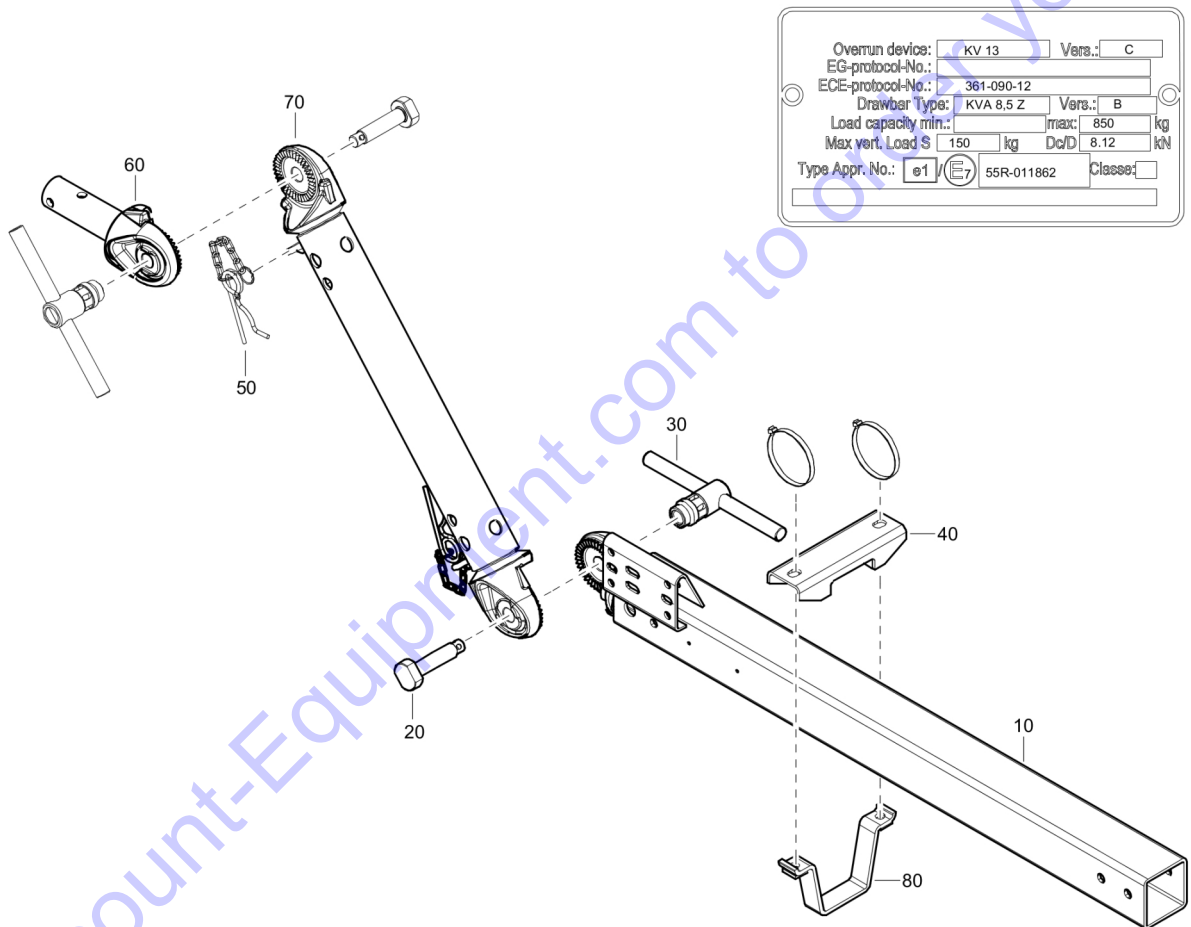
Go to Discount-Equipment.com to order your parts

Not Illustrated			
Ref	Part Number	Designation	Qty
10	2914 2000 03	Balancing plate kit	1



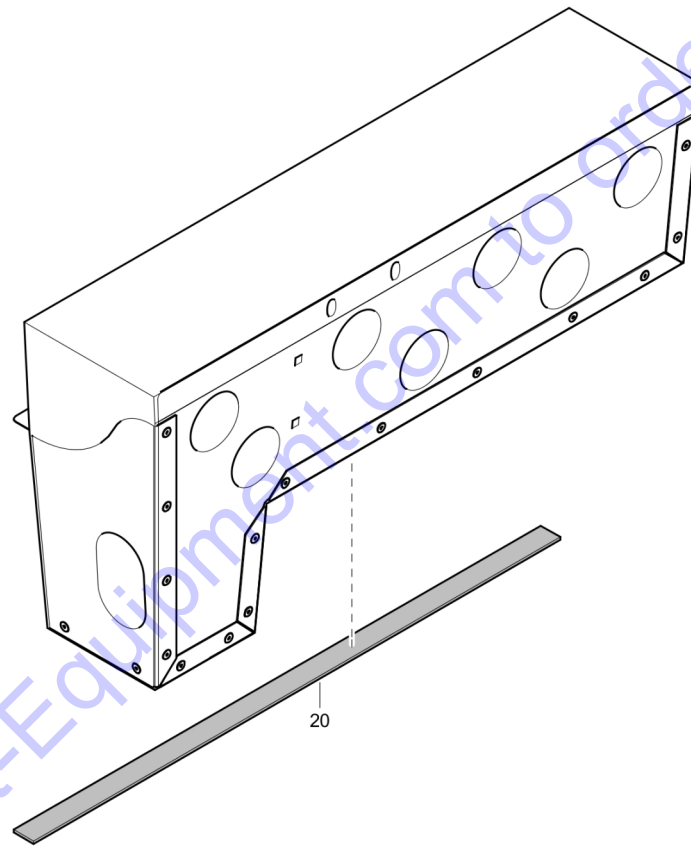


<b>Id</b>	<b>Qty</b>	<b>Number</b>	<b>Name</b>	<b>Specifications</b>
10	1	2914200003	BALANCING PLATE KIT	
30	1	2914102802	BRAKE CABLE ASSY	
40	2	2914102804	TOMMY NUT	
50	2	2914200017	COTTER PIN	
60	2	2914102803	BOLT	
70	1	2914200020	CLAMPING BRACKET	
80	1	2914200016	CLAMPING PATH	
90	1	2914200027	SPACER	
100	1	2914200021	OVERRUN BRAKE	
110	1	2914200022	DRAWBAR BOTTOM PIECE	
120	1	2914103010	HEX BOLT	
130	1	2914103019	PISTON	
140	2	2914103011	DISTANCE SLEEVE	
150	2	2914257700	WASHER	
160	4	2914257800	NUT	
170	1	2914103020	RING	
180	1	2914103021	NUT	
190	1	2914103018	ABSORBER	
200	1	2914200023	BRAKE LEVER	
210	4	2914257800	NUT	
220	2	2914257700	WASHER	
230	2	2914200014	PLASTIC WASHER	
240	1	2914103015	BUSH	
250	4	2914103003	LOCKING SCREW	
260	2	2914103016	LUBRICATING NIPPLE	
270	2	2914103004	CAP	
280	2	2914103003	LOCKING SCREW	
290	2	2914200026	LOCKING SCREW	
310	1	2914103022	BELLOWS	
320	1	2914200024	HANDBRAKE	
330	1	2914200025	DAMPED SPRING KIT	
340	1	2914103403	HANDGRIP	
350	1	2914103017	EYE HOUSING	



Id	Qty	Number	Name	Specifications
10	1	2914200015	DRAWBAR REAR PIECE	
20	1	2914102803	BOLT	
30	1	2914102804	TOMMY NUT	
40	1	2914200016	CLAMPING PATH	
50	1	2914200017	COTTER PIN	
60	1	2914200018	FRONT PIECE	
70	1	2914200019	SPACER	
80	1	2914200020	CLAMPING BRACKET	

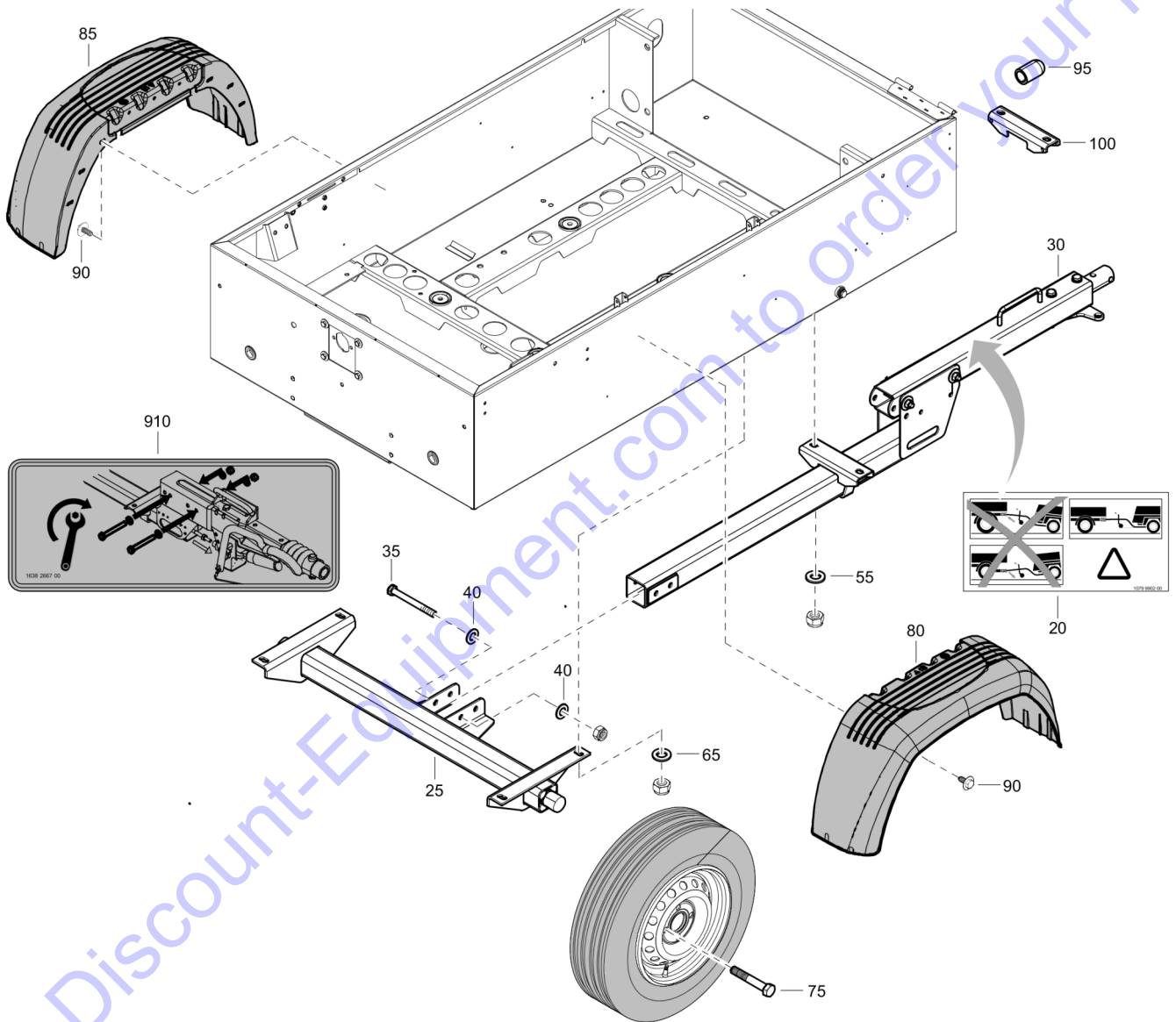
Go to Discount-Equipment.com to order your parts



Go to Discount-Equipment.com to order your parts

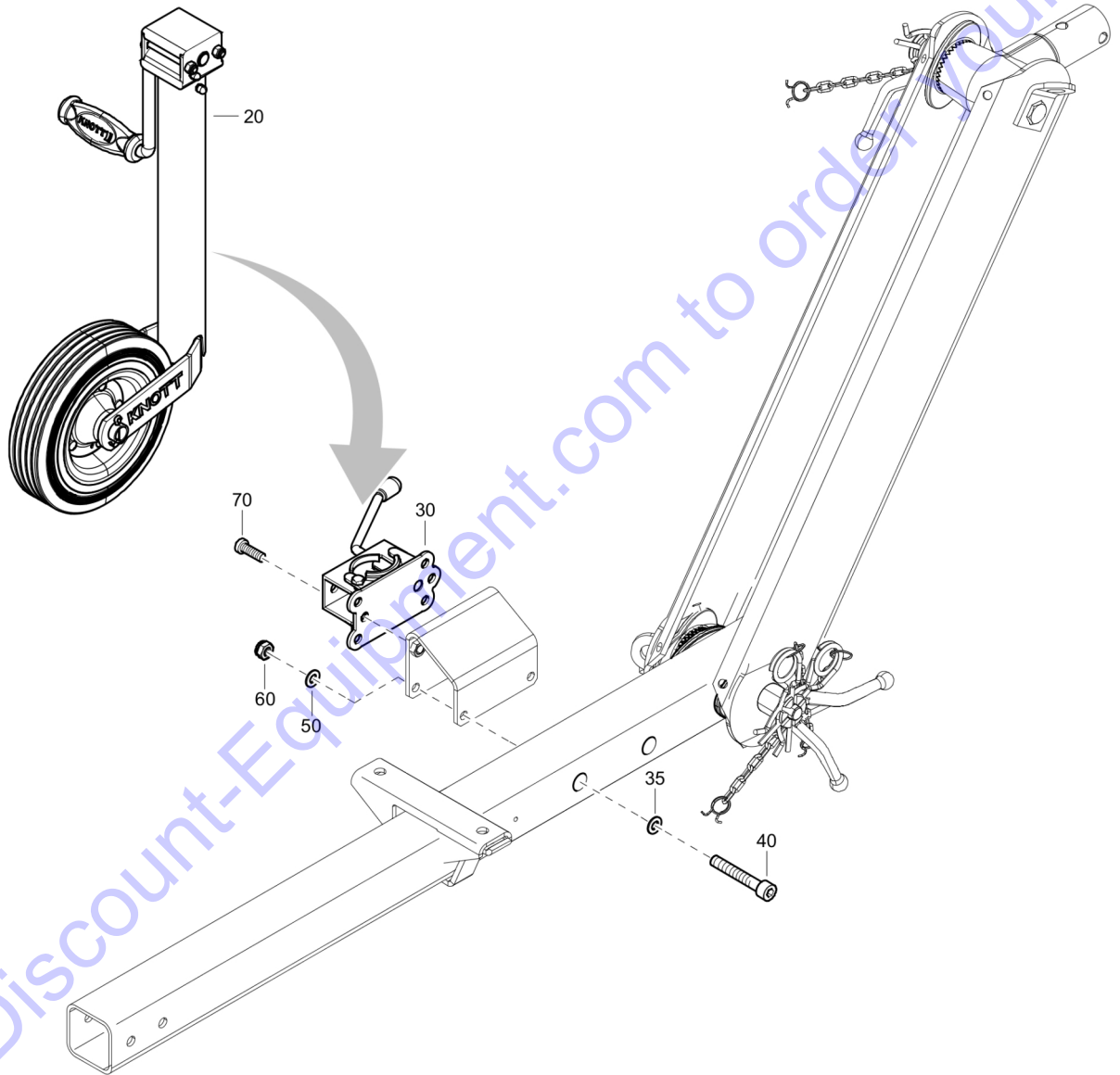
<b>Id</b>	<b>Qty</b>	<b>Number</b>	<b>Name</b>	<b>Specifications</b>
20	1	1619518800	SEAL	

Go to Discount-Equipment.com to order your parts



Id	Qty	Number	Name	Specifications
20	1	1079990200	WARNING LABEL	
25	1	1638401701	AXLE	
30	1	1638401101	TOWBAR	
35	2	0147141803	HEX. HEAD SCREW	
40	4	0301235800	PLAIN WASHER(A)	13 X 24 X 2.5
55	2	0301235800	PLAIN WASHER(A)	13 X 24 X 2.5
65	4	0301235800	PLAIN WASHER(A)	13 X 24 X 2.5
75	8	1626602900	BOLT HEXAGON	
80	1	1638252801	MUDGUARD	
85	1	1638252801	MUDGUARD	
90	8	1619276500	SCREW	
95	8	0686925402	PROTECTION CAP	
100	1	1638882000	BRACKET	
910	1	1638266700	DECAL INSTRUCT.	

Go to Discount-Equipment.com to order your parts

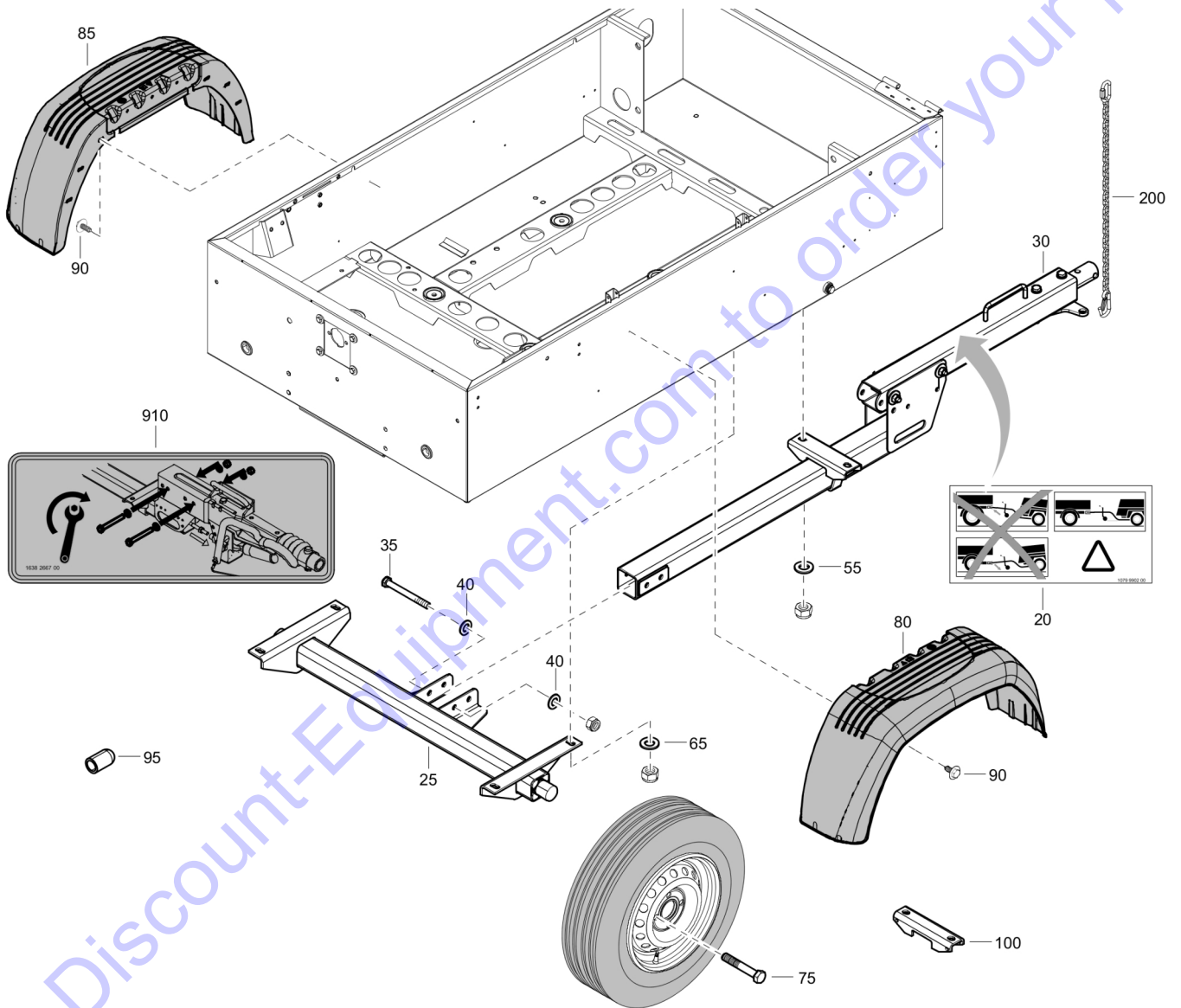


Go to Discount-Equipment.com to order your parts



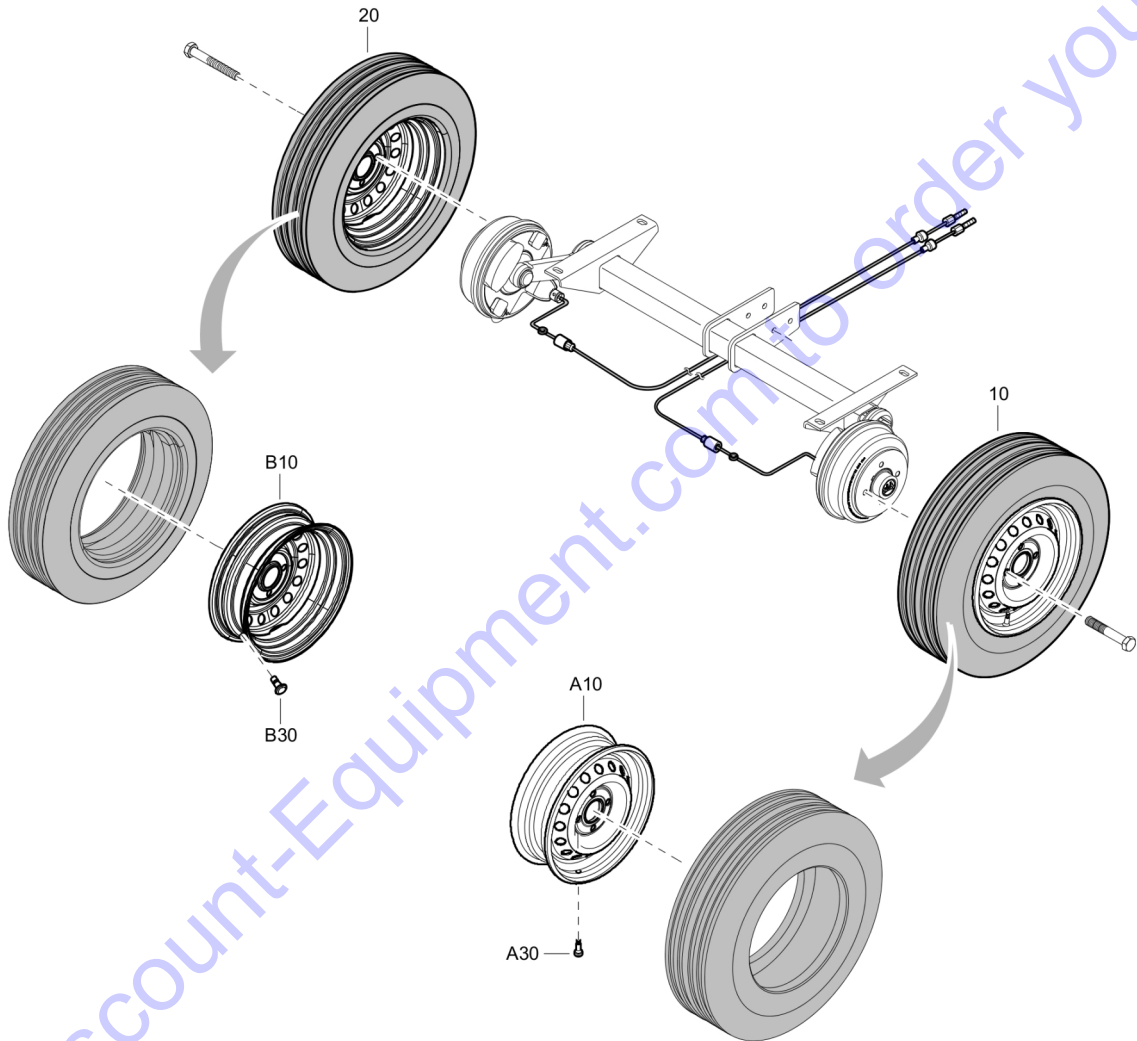
Id	Qty	Number	Name	Specifications
20	1	1638592500	JOCKEY WHEEL	
30	1	1638524700	CLAMP	
35	4	0301234400	PLAIN WASHER M10	
40	2	0211110251	HEX. SOCK M10X100X8.8	
50	2	0301234400	PLAIN WASHER M10	
60	2	0291111100	LOCK NUT M10	
70	2	0215000375	SCREW	

Go to Discount-Equipment.com to order your parts



Id	Qty	Number	Name	Specifications
20	1	1079990200	WARNING LABEL	
25	1	1638401701	AXLE	
30	1	1638401101	TOWBAR	
35	2	0147141803	HEX. HEAD SCREW	
40	4	0301235800	PLAIN WASHER(A)	13 X 24 X 2.5
55	2	0301235800	PLAIN WASHER(A)	13 X 24 X 2.5
65	4	0301235800	PLAIN WASHER(A)	13 X 24 X 2.5
75	8	1626602900	BOLT HEXAGON	
80	1	1638252801	MUDGUARD	
85	1	1638252801	MUDGUARD	
90	8	1619276500	SCREW	
95	8	0686925402	PROTECTION CAP	
100	1	1638882000	BRACKET	
200	2	1638503500	CHAIN	
910	1	1638266700	DECAL INSTRUCT.	

Go to Discount-Equipment.com to order your parts



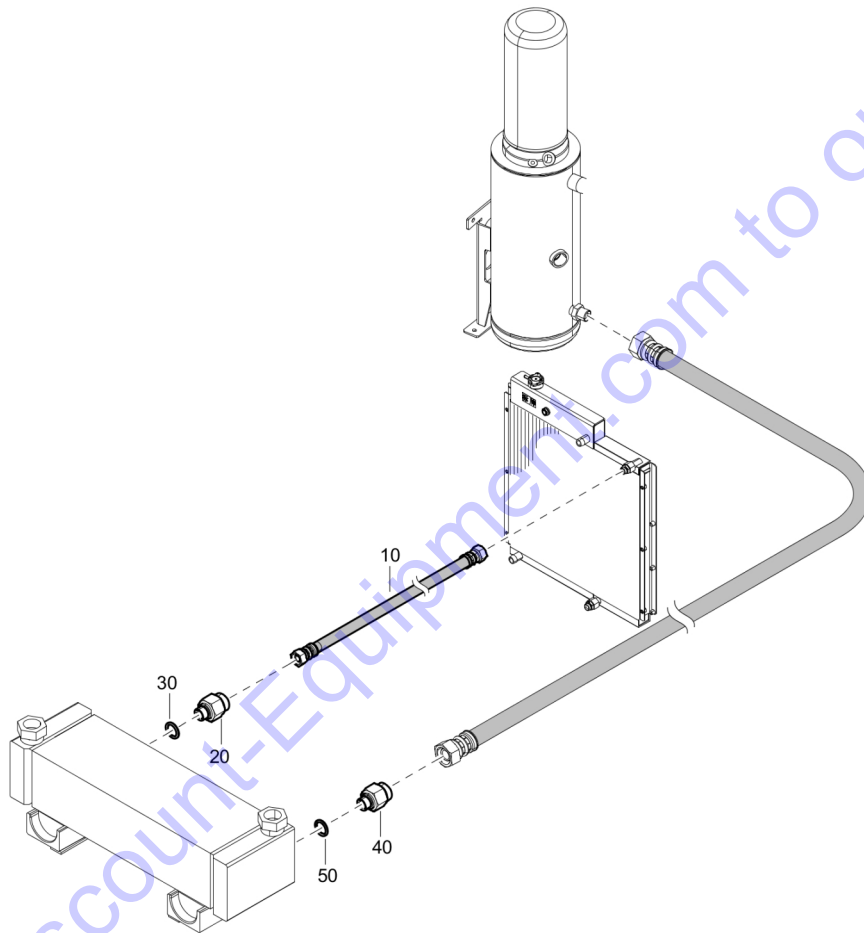
<b>Id</b>	<b>Qty</b>	<b>Number</b>	<b>Name</b>	<b>Specifications</b>
10	1	1638562100	Tyre assembly	
20	1	1638567600	Tyre assembly	

Go to Discount-Equipment.com to order your parts



Id	Qty	Number	Name	Specifications
50	1	1638549400	HOSE ASSEMBLY	
130	1	1638567000	HOSE ASSEMBLY	
230	1	1638566800	HOSE ASSEMBLY	
420	1	1638547700	HOSE ASSEMBLY	
440	1	1638566900	HOSE ASSEMBLY	

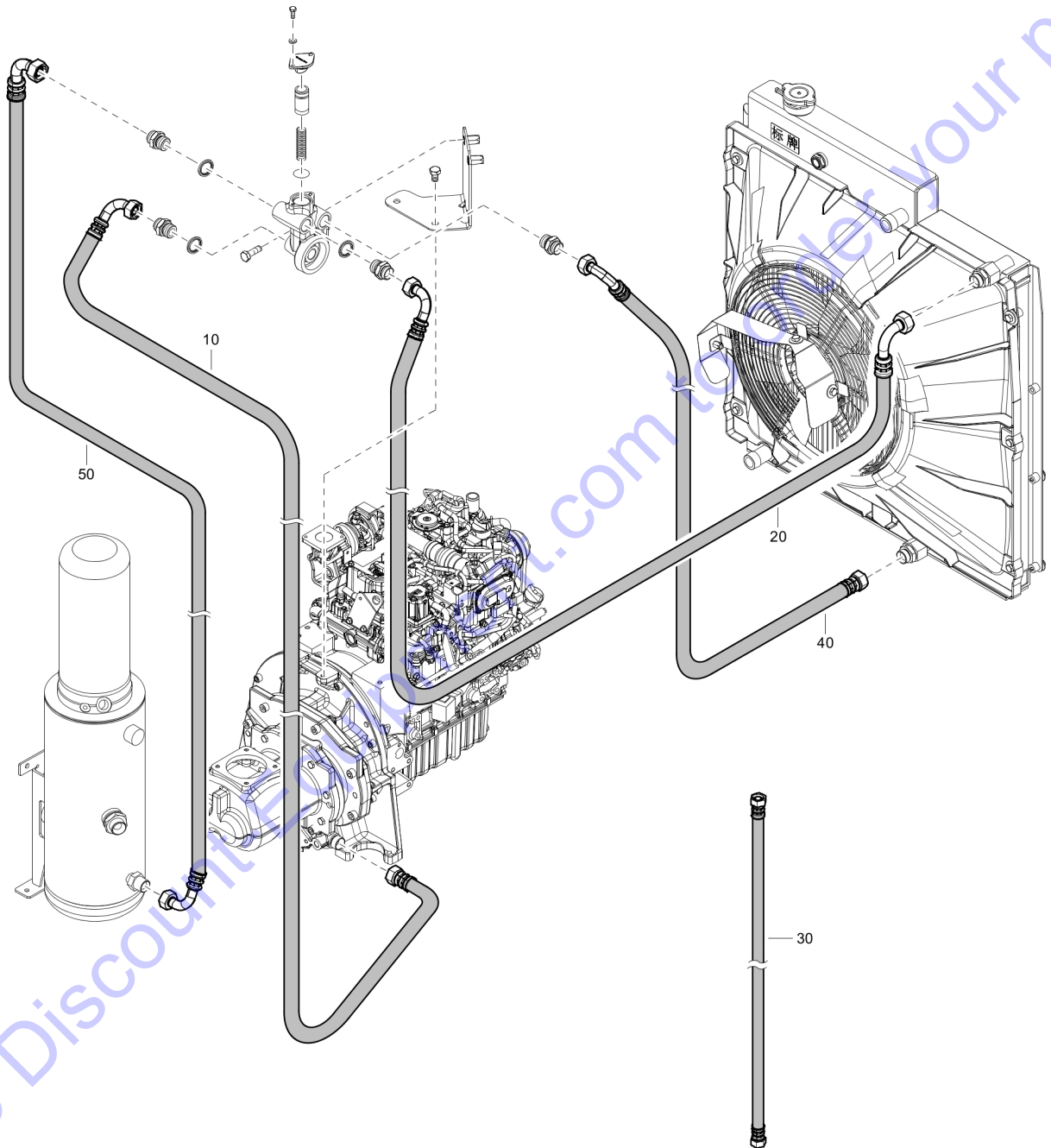
Go to Discount-Equipment.com to order your parts





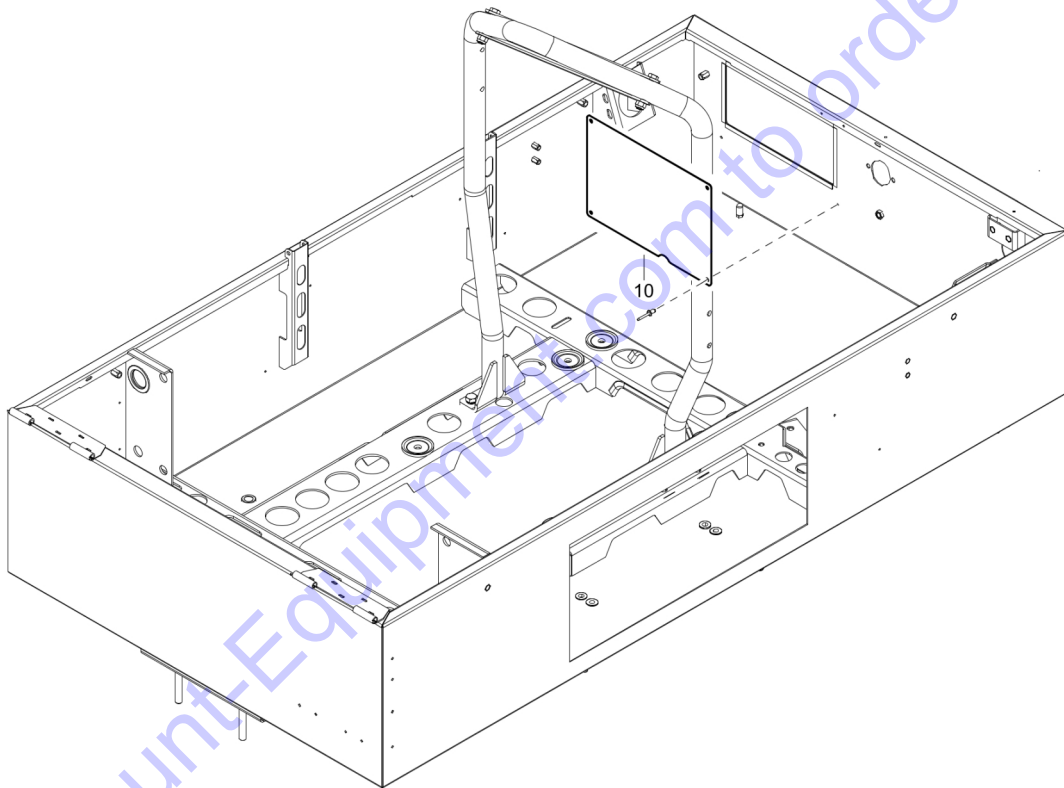
Id	Qty	Number	Name	Specifications
10	1	1638567100	HOSE ASSEMBLY	
20	1	1626492101	NIPPLE HEXAGON	
30	1	0653111500	GASKET 18X24X15	
40	1	1626492101	NIPPLE HEXAGON	
50	1	0653111500	GASKET 18X24X15	

Go to Discount-Equipment.com to order your parts



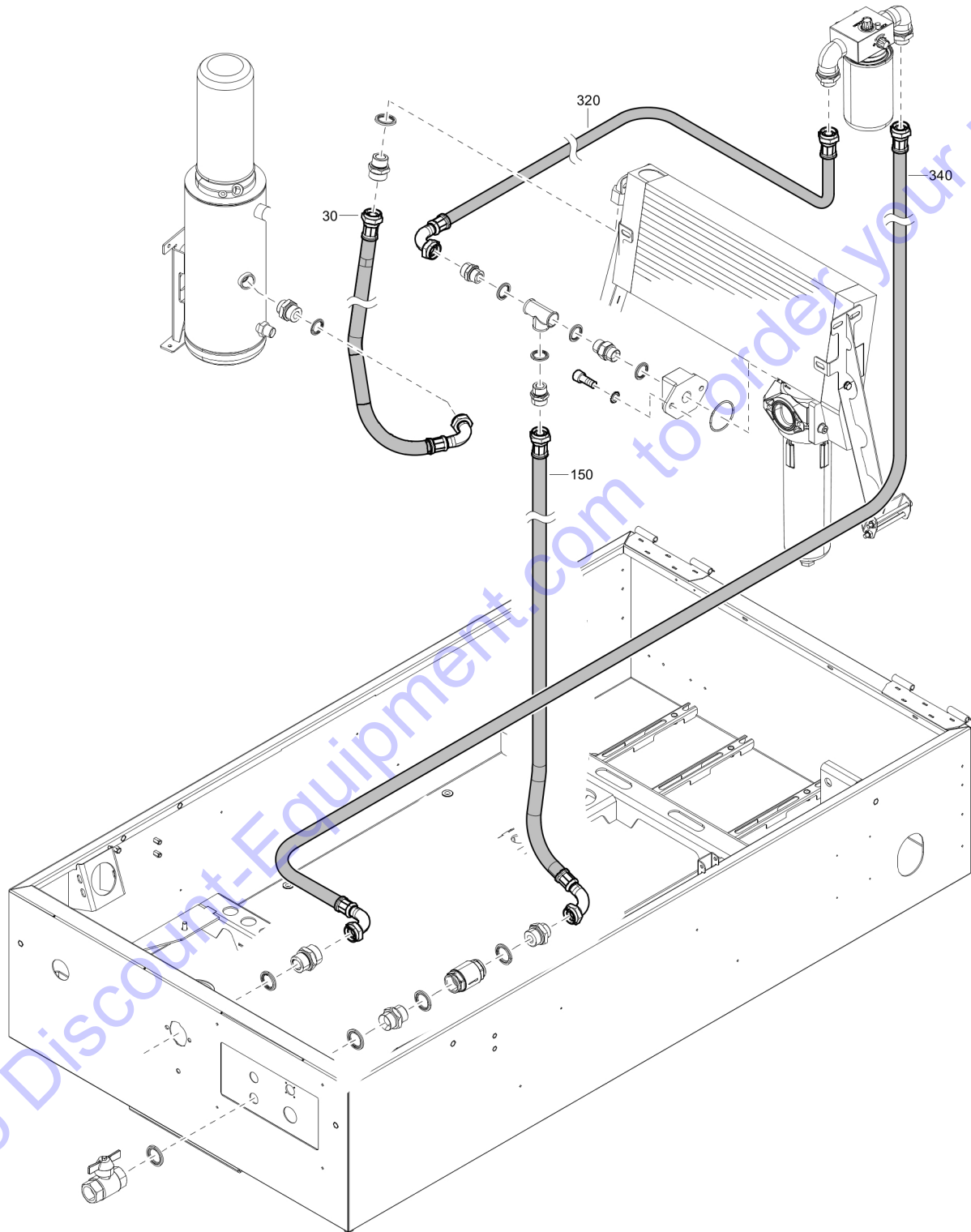
Id	Qty	Number	Name	Specifications
10	1	1638826901	Hose assembly	
20	1	1638861200	HOSE ASSEMBLY	
30	1	1638110701	HOSE ASSEMBLY	
40	1	1638826601	HOSE ASSEMBLY	
50	1	1638826801	HOSE ASSEMBLY	

Go to Discount-Equipment.com to order your parts



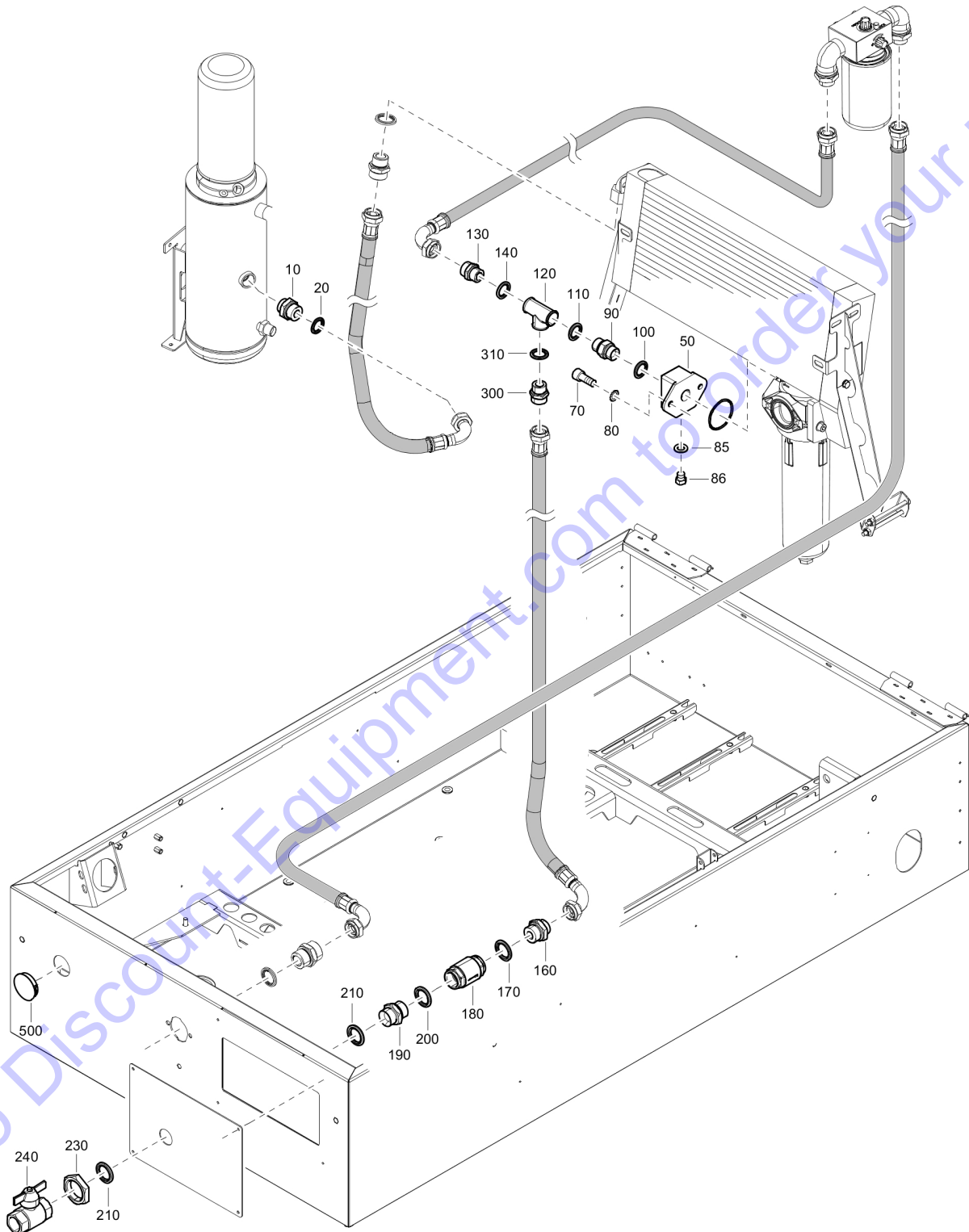
Id	Qty	Number	Name	Specifications
10	1	1638532600	COVER PLATE	

Go to Discount-Equipment.com to order your parts



Id	Qty	Number	Name	Specifications
30	1	1638319800	HOSE ASSEMBLY	
150	1	1638789100	HOSE ASSEMBLY	
320	1	1638792000	HOSE ASSEMBLY	
340	1	1638787100	HOSE ASSEMBLY	

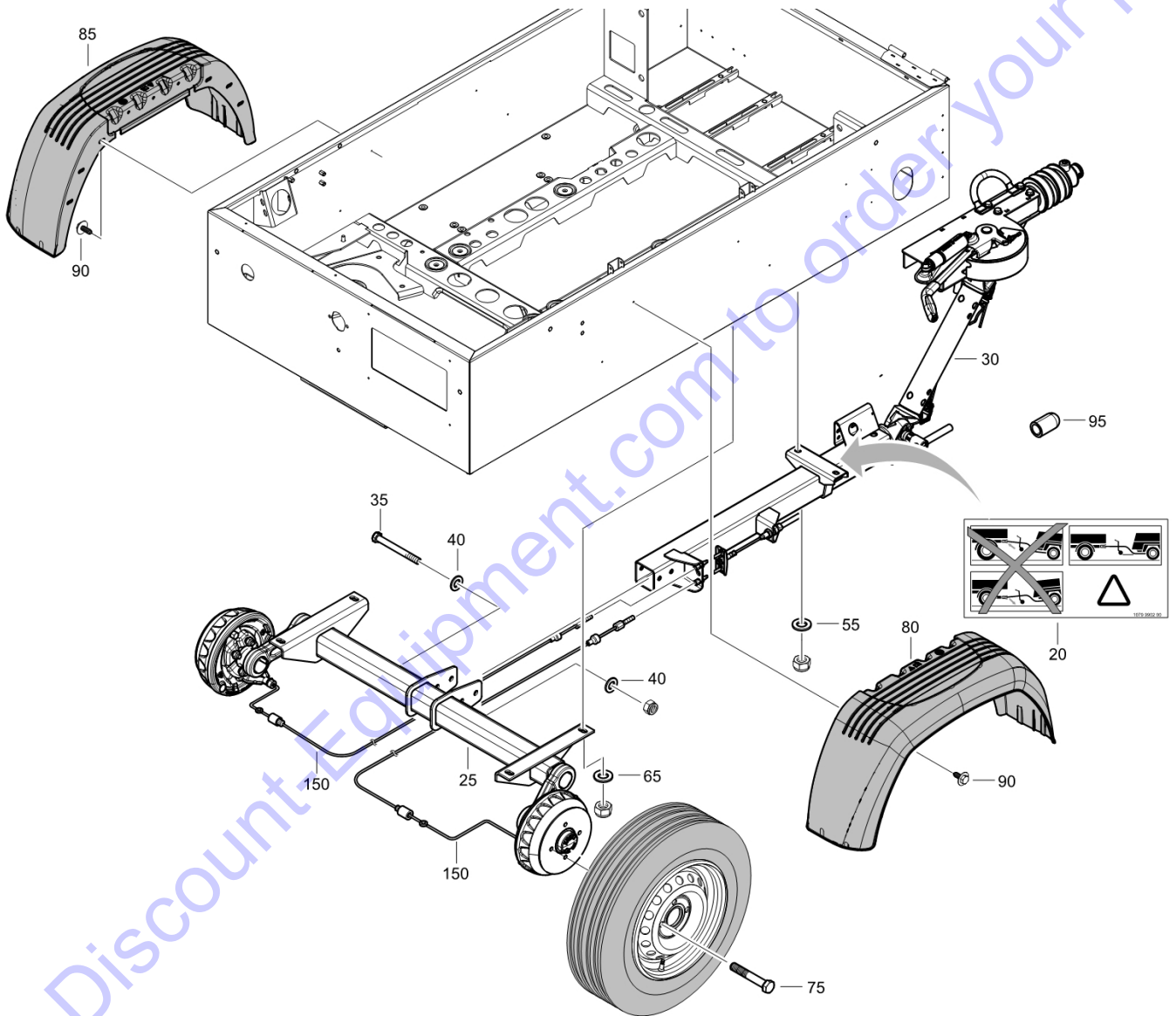
Go to Discount-Equipment.com to order your parts





Id	Qty	Number	Name	Specifications
10	1	0571003572	FITTING	
20	1	0661104900	SEAL WASHER	
50	1	1638400600	Manifold	
70	2	0211136303	SCREW:M10X 30;SOC HD CAP	
80	2	0301234400	PLAIN WASHER M10	
85	1	0301235800	PLAIN WASHER(A) 13 X 24 X 2.5	
86	1	0686310119	PLUG HEXAGON	
90	1	0603424302	Nipple	
100	1	0661103800	SEALING WASHER	
110	1	0661103800	SEALING WASHER	
120	1	0564000068	TEE	
130	1	1619624900	NIPPLE	
140	1	0661103800	SEALING WASHER	
160	1	0571003572	FITTING	
170	1	0661104900	SEAL WASHER	
180	1	1615961500	NON RET. VALVE	
190	1	0571003509	FITTING	
200	1	0661104900	SEAL WASHER	
210	2	1638569900	WASHER	
230	1	0623210603	BACKNUT	
240	1	0852001047	BALL VALVE	
300	1	1619624900	NIPPLE	
310	1	0661103800	SEALING WASHER	
500	1	1638535000	Plug	

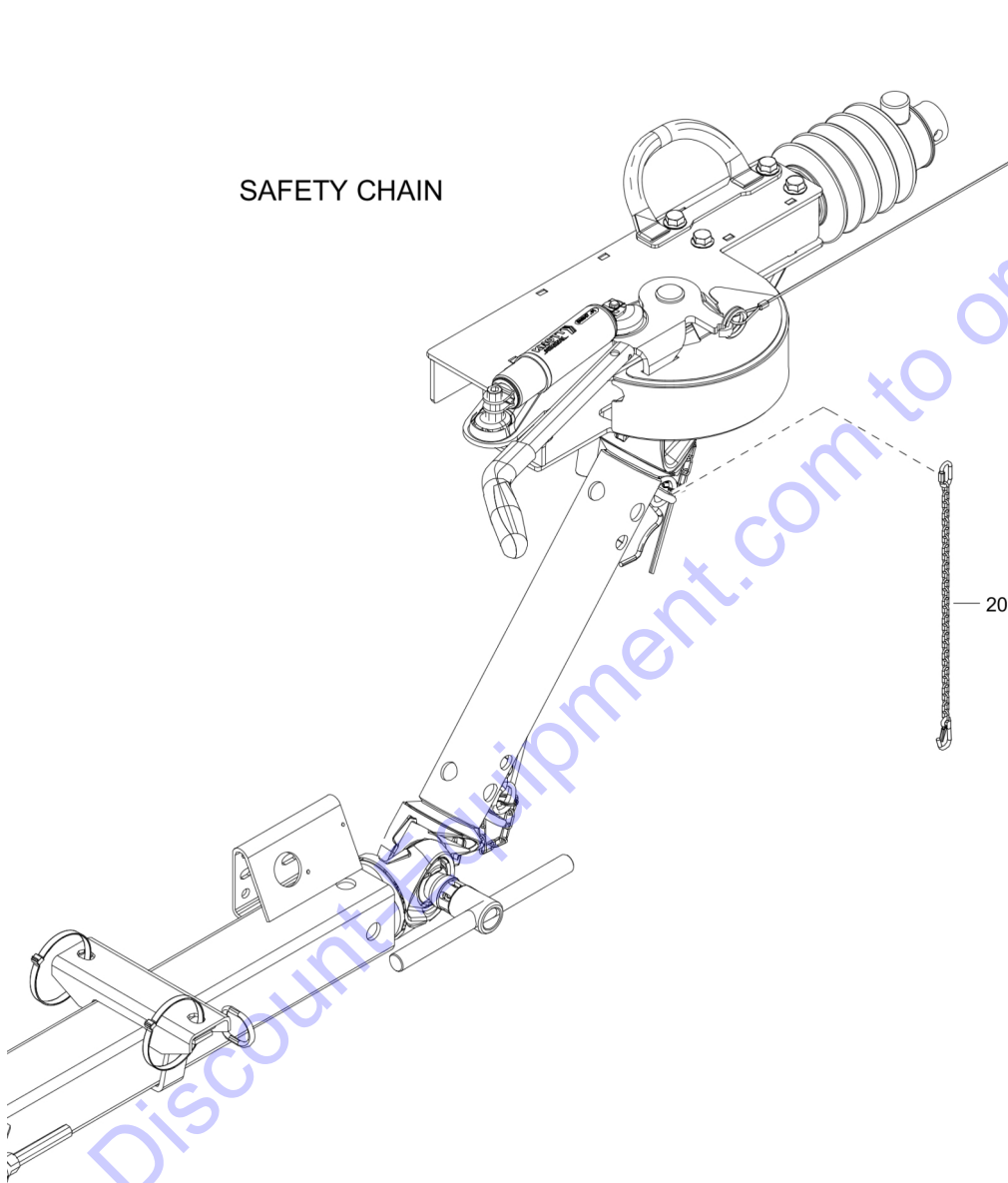
Go to Discount-Equipment.com to order your parts



Id	Qty	Number	Name	Specifications
20	1	1079990200	WARNING LABEL	
25	1	1638401600	AXLE	
30	1	1638401200	TOWBAR	
35	2	0147141803	HEX. HEAD SCREW	
40	4	0301235800	PLAIN WASHER(A)	13 X 24 X 2.5
55	2	0301235800	PLAIN WASHER(A)	13 X 24 X 2.5
65	4	0301235800	PLAIN WASHER(A)	13 X 24 X 2.5
75	8	1626602900	BOLT HEXAGON	
80	1	1638252801	MUDGUARD	
85	1	1638252801	MUDGUARD	
90	8	1619276500	SCREW	
95	8	0686925402	PROTECTION CAP	
150	2	1638298200	BRAKE CABLE	

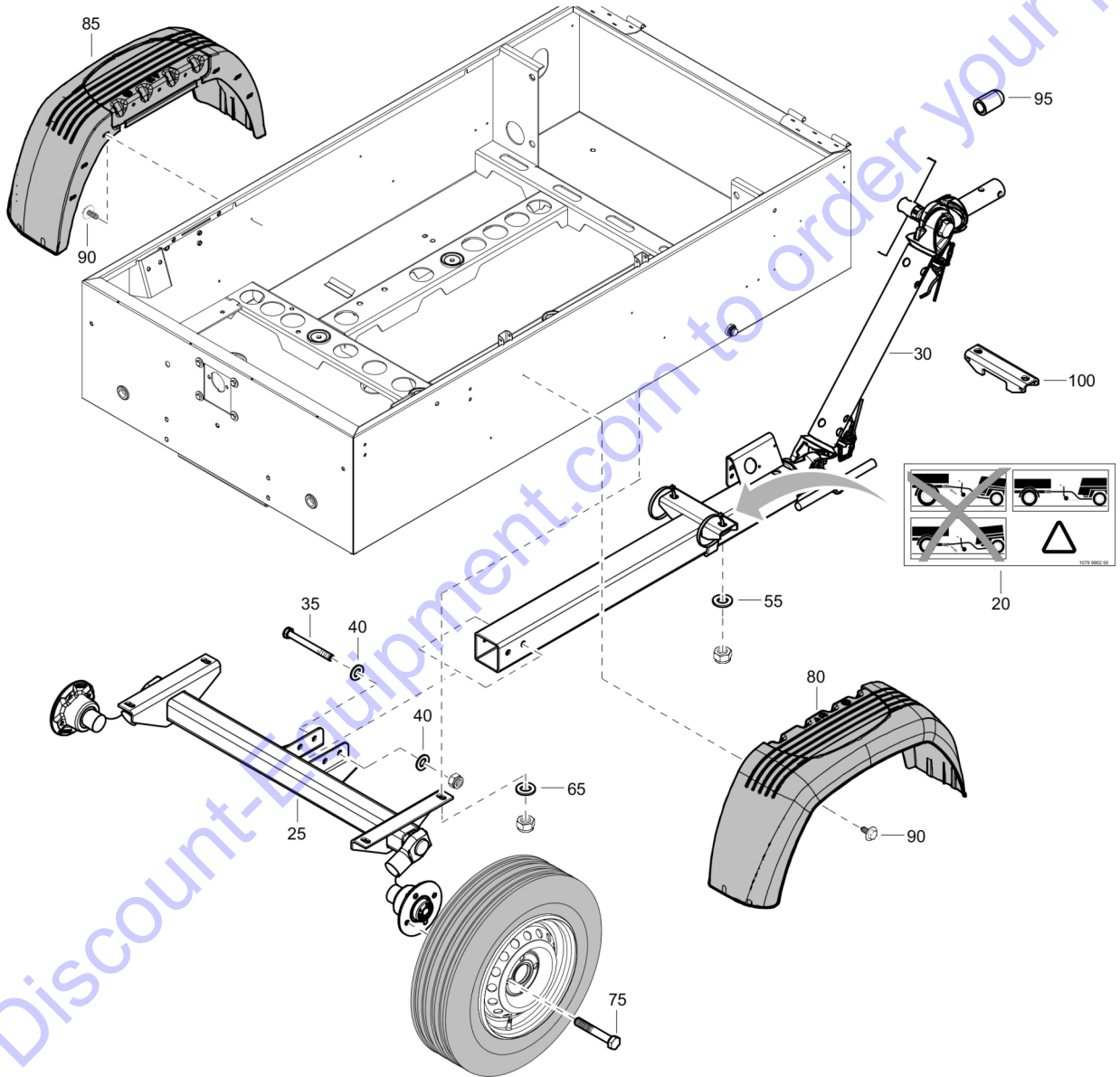
Go to Discount-Equipment.com to order your parts

SAFETY CHAIN



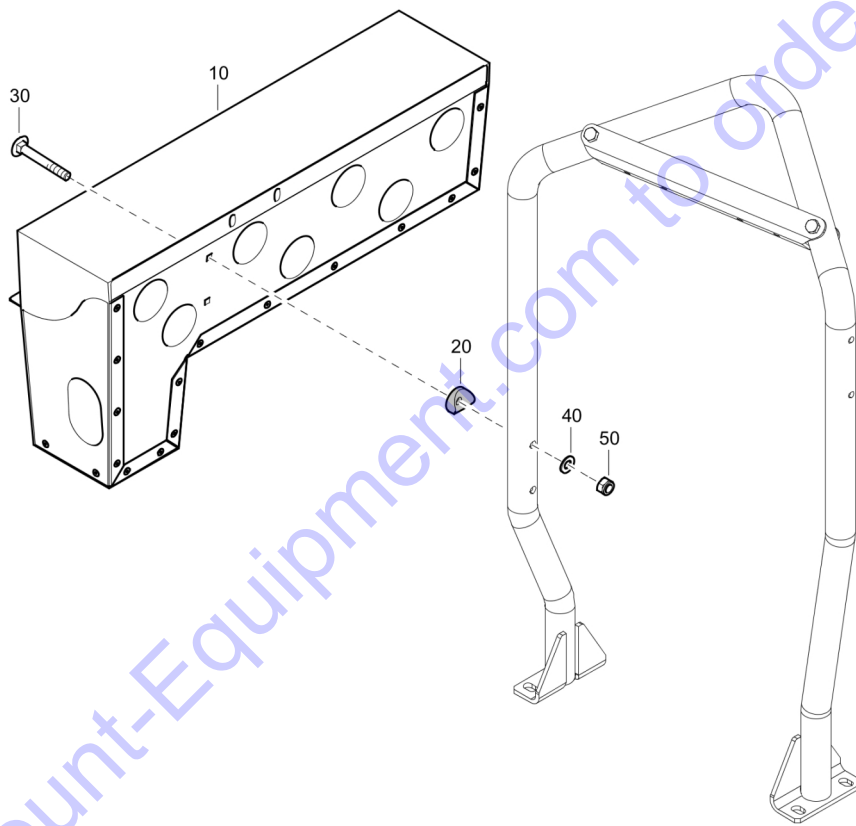
<b>Id</b>	<b>Qty</b>	<b>Number</b>	<b>Name</b>	<b>Specifications</b>
20	1	1638795400	CHAIN	

Go to Discount-Equipment.com to order your parts



<b>Id</b>	<b>Qty</b>	<b>Number</b>	<b>Name</b>	<b>Specifications</b>
20	1	1079990200	WARNING LABEL	
25	1	1638401701	AXLE	
30	1	1638401301	TOWBAR	
35	2	0147141803	HEX. HEAD SCREW	
40	4	0301235800	PLAIN WASHER(A)	13 X 24 X 2.5
55	2	0301235800	PLAIN WASHER(A)	13 X 24 X 2.5
65	4	0301235800	PLAIN WASHER(A)	13 X 24 X 2.5
75	8	1626602900	BOLT HEXAGON	
80	1	1638252801	MUDGUARD	
85	1	1638252801	MUDGUARD	
90	8	1619276500	SCREW	
95	8	0686925402	PROTECTION CAP	
100	1	1638881900	BRACKET	

Go to Discount-Equipment.com to order your parts

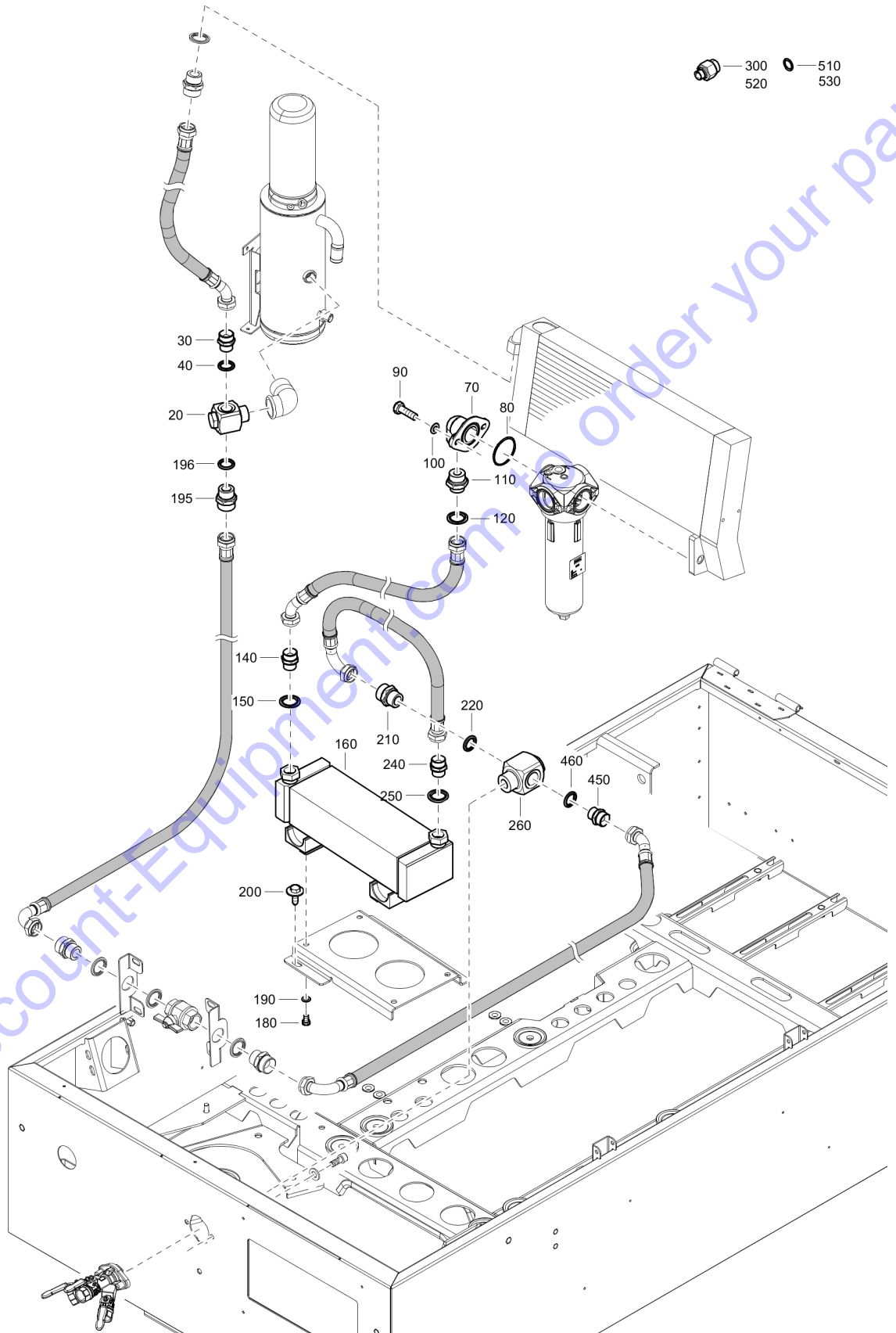


Go to Discount-Equipment.com to order your parts



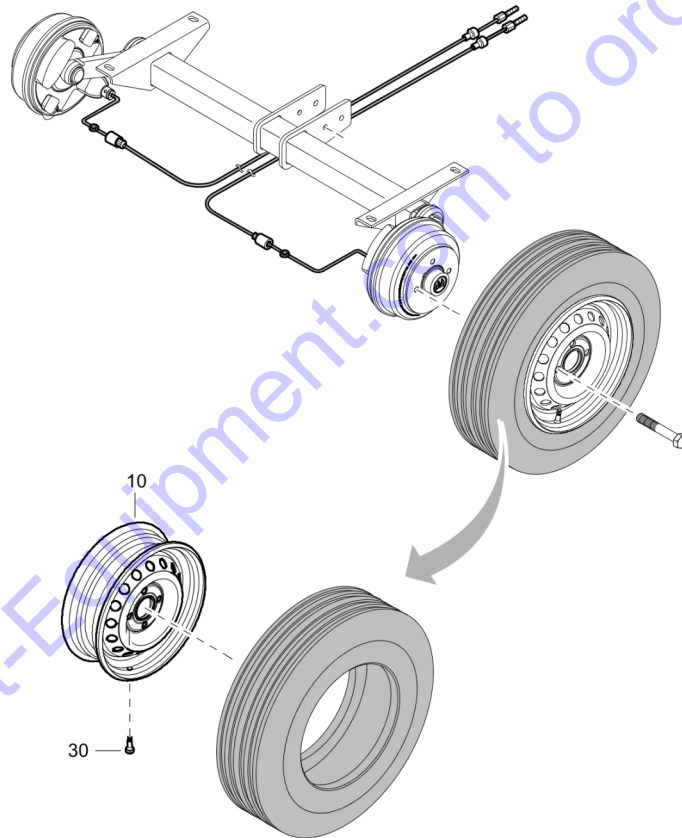
Id	Qty	Number	Name	Specifications
10	1	1638116383	TOOLBOX	
20	2	1638211800	Washer	
30	2	0226991510	SQ. NECK BOLT	
40	2	0301233500	PLAIN WASHER(A) 8.4 X 16 X 1.6	
50	2	0291111000	LOCK NUT M8	

Go to Discount-Equipment.com to order your parts



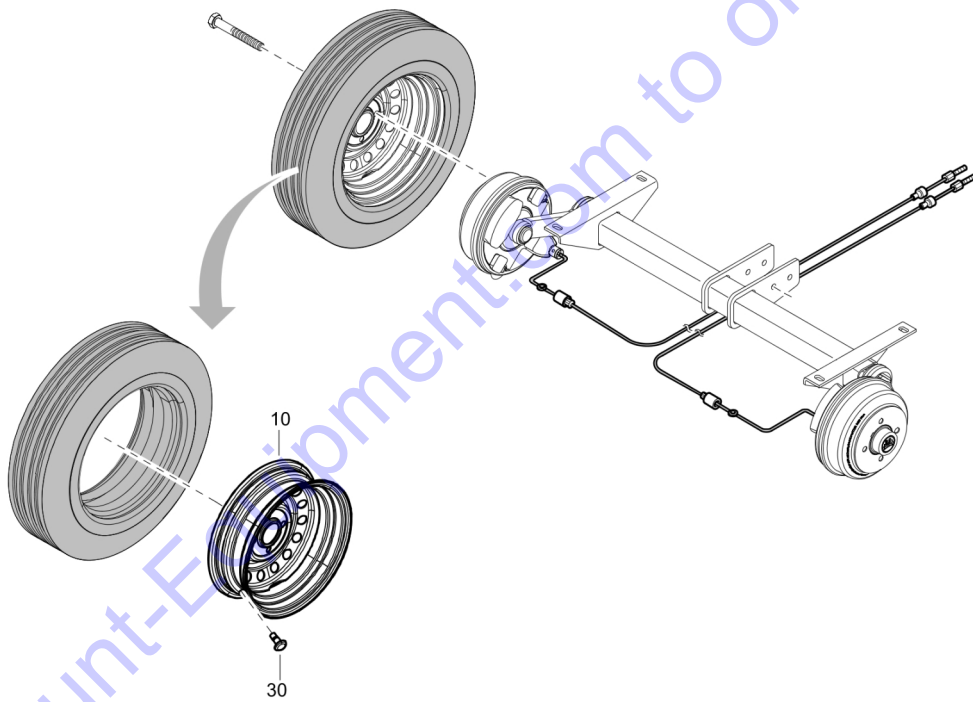
Id	Qty	Number	Name	Specifications
20	1	1638249100	MANIFOLD	
30	1	1619624900	NIPPLE	
40	1	0661100029	WASHER M26	
70	1	1604401901	CONNECTOR	
80	1	0663713600	O-RING 59.5X3	
90	2	0147136303	SCREW:M10X 30;HEX HD,ZN PLT,\$S	
100	2	0301234400	PLAIN WASHER M10	
110	1	0571003572	FITTING	
120	1	0661104900	SEAL WASHER	
140	1	1619624900	NIPPLE	
150	1	0661100029	WASHER M26	
160	1	1604540901	HEAT EXCHANGER AIR/OIL	
180	4	0147132003	HEXAGON BOLT	
190	4	0301233500	PLAIN WASHER(A) 8.4 X 16 X 1.6	
195	1	1619624900	NIPPLE	
196	1	0661100029	WASHER M26	
200	2	1615566400	BOLT-SCRAPER:M8X25, 8.8 FZB	
210	1	1619624900	NIPPLE	
220	1	0661100029	WASHER M26	
240	1	1619624900	NIPPLE	
250	1	0661100029	WASHER M26	
260	1	1638249100	MANIFOLD	
300	1	1626492101	NIPPLE HEXAGON	
450	1	1619624900	NIPPLE	
460	1	0661100029	WASHER M26	
510	1	0653111500	GASKET 18X24X15	
520	1	1626492101	NIPPLE HEXAGON	
530	1	0653111500	GASKET 18X24X15	

Go to Discount-Element.com to order your parts



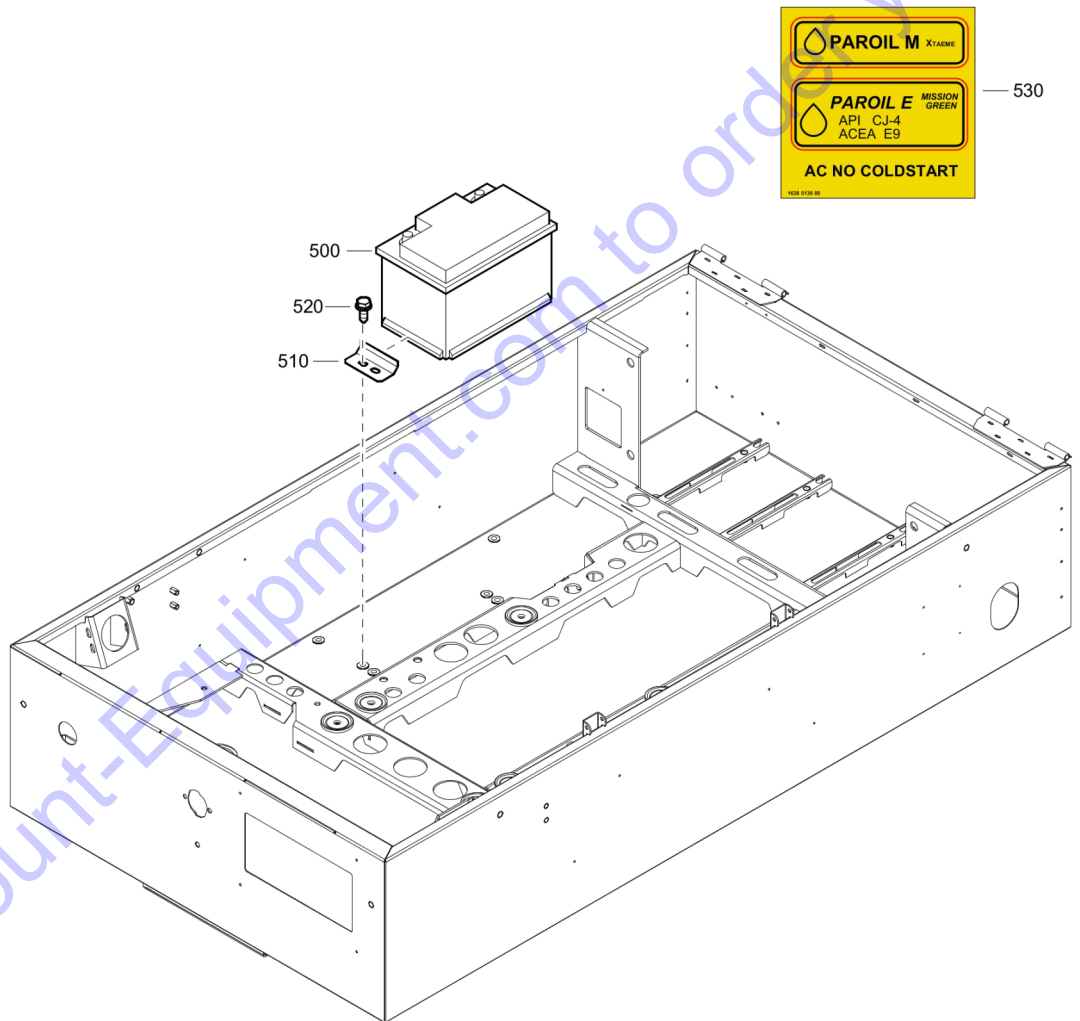
<b>Id</b>	<b>Qty</b>	<b>Number</b>	<b>Name</b>	<b>Specifications</b>
10	1	1604033200	DISC WHEEL	
30	1	1615632200	VENTIL	

Go to [Discount-Equipment.com](https://Discount-Equipment.com) to order your parts



<b>Id</b>	<b>Qty</b>	<b>Number</b>	<b>Name</b>	<b>Specifications</b>
10	1	1604033200	DISC WHEEL	
30	1	1615632200	VENTIL	

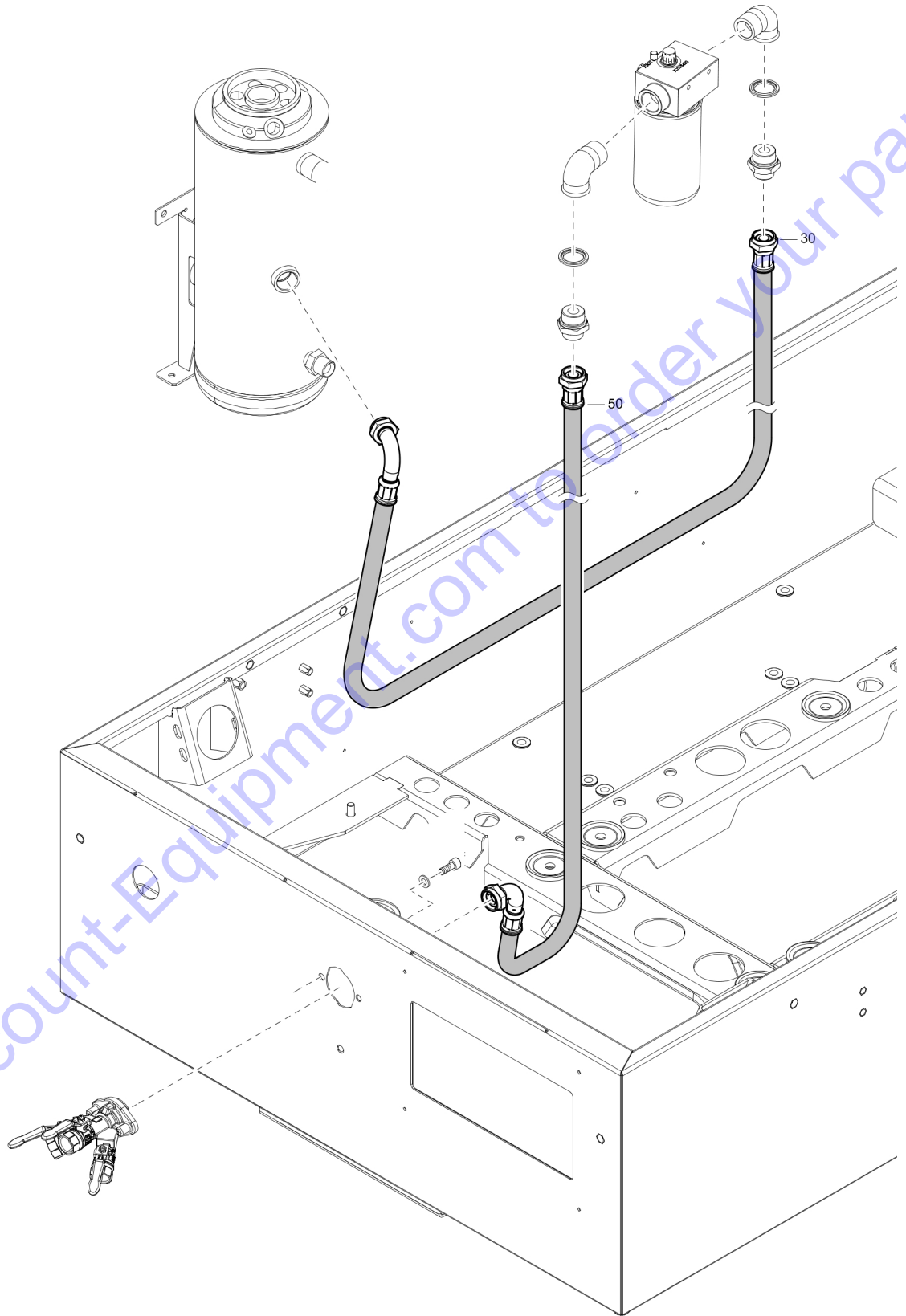
Go to Discount-Equipment.com to order your parts





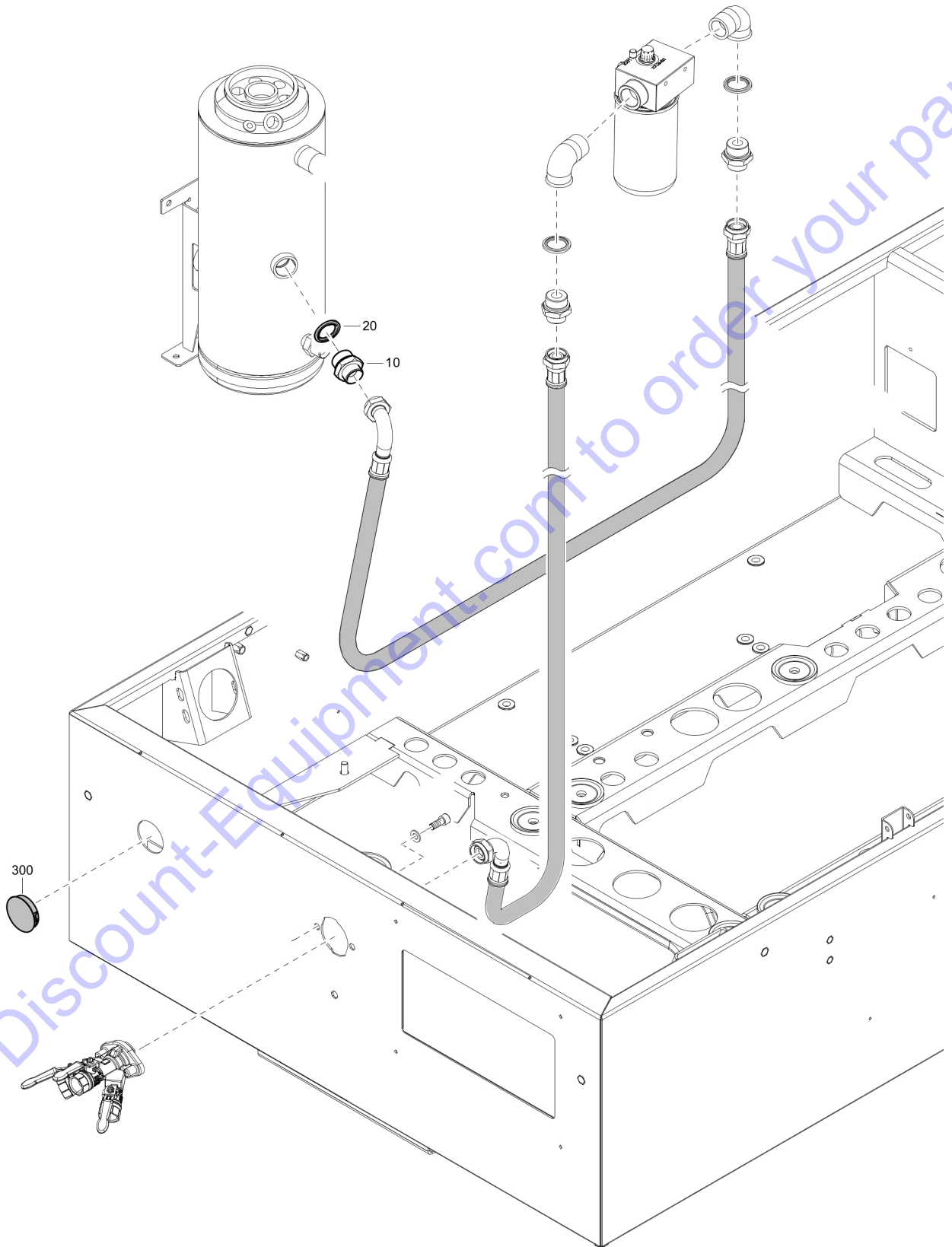
<b>Id</b>	<b>Qty</b>	<b>Number</b>	<b>Name</b>	<b>Specifications</b>
500	1	0975830014	BATTERY	
510	2	1638152200	BRACKET (CLAMP BAT)	
520	4	1619276600	SCR.BOLT M8X20	
530	1	1638513800	Decal symbols	

Go to Discount-Equipment.com to order your parts



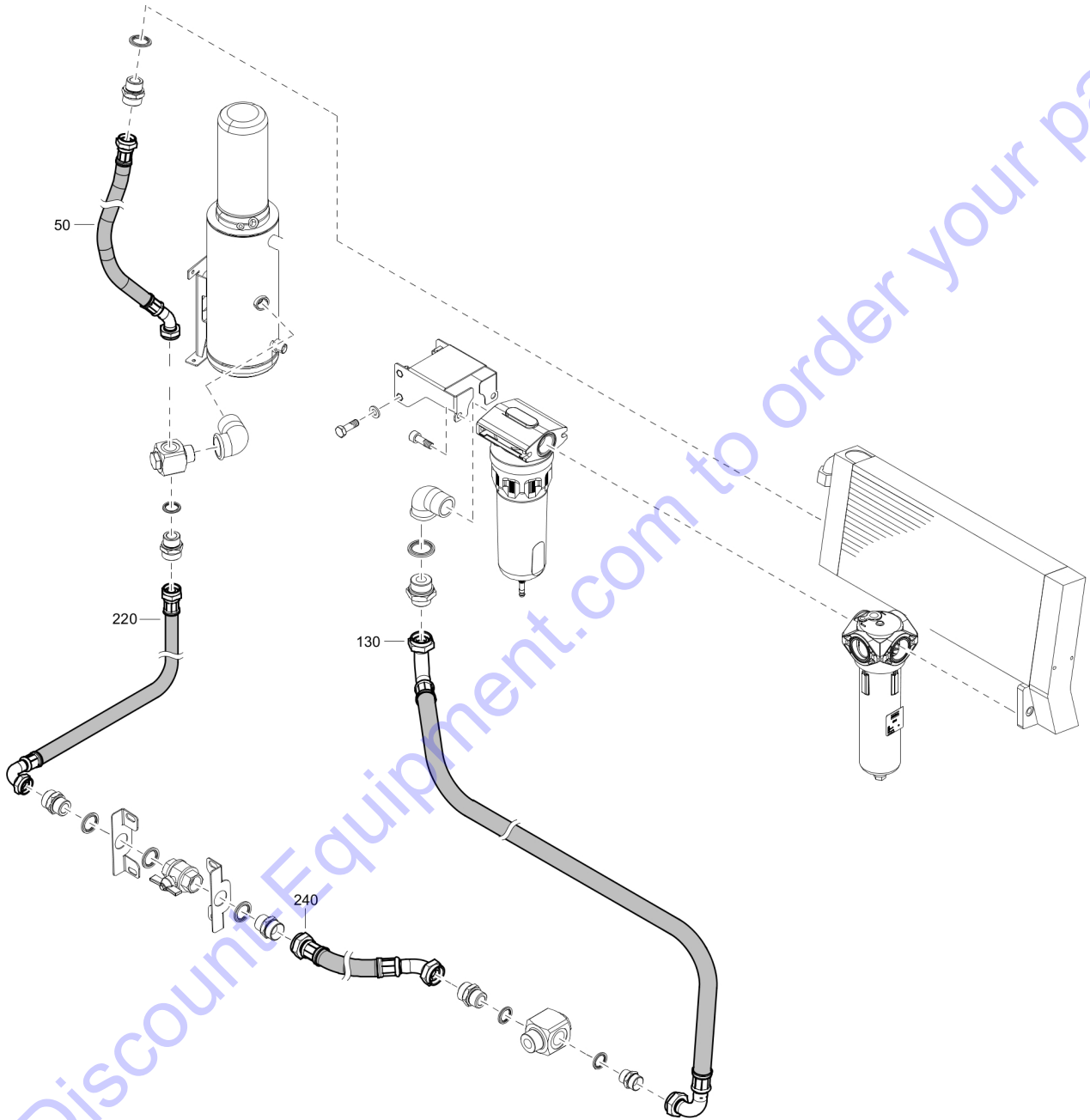
<b>Id</b>	<b>Qty</b>	<b>Number</b>	<b>Name</b>	<b>Specifications</b>
30	1	1638548300	HOSE ASSEMBLY	
50	1	1638787100	HOSE ASSEMBLY	

Go to Discount-Equipment.com to order your parts



<b>Id</b>	<b>Qty</b>	<b>Number</b>	<b>Name</b>	<b>Specifications</b>
10	1	0571003572	FITTING	
20	1	0661104900	SEAL WASHER	
300	1	1638535000	Plug	

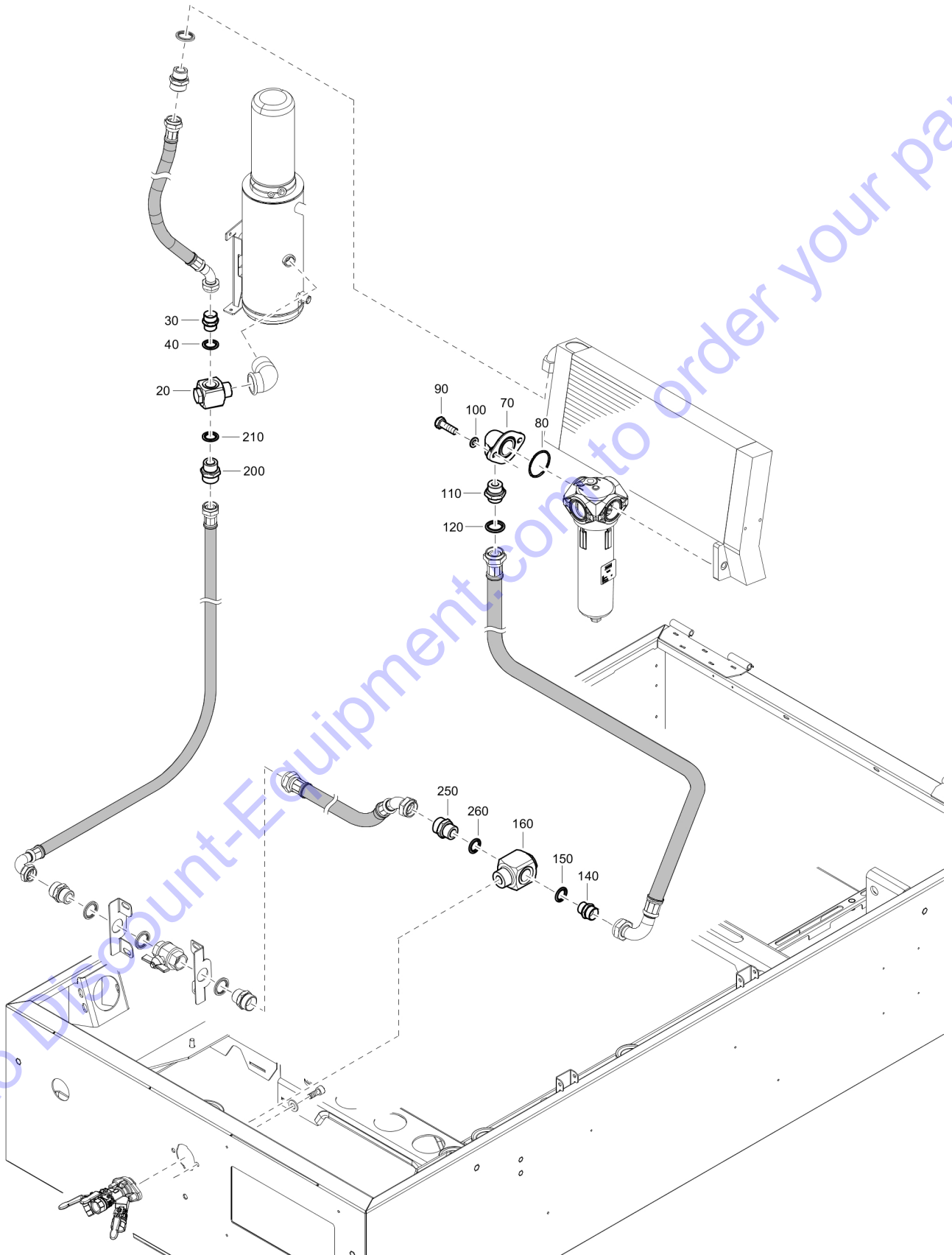
Go to Discount-Equipment.com to order your parts



Go to [DiscountEquipment.com](http://DiscountEquipment.com) to order your parts

<b>Id</b>	<b>Qty</b>	<b>Number</b>	<b>Name</b>	<b>Specifications</b>
50	1	1638549400	HOSE ASSEMBLY	
130	1	1638786900	HOSE ASSEMBLY	
220	1	1638547700	HOSE ASSEMBLY	
240	1	1638549600	HOSE ASSEMBLY	

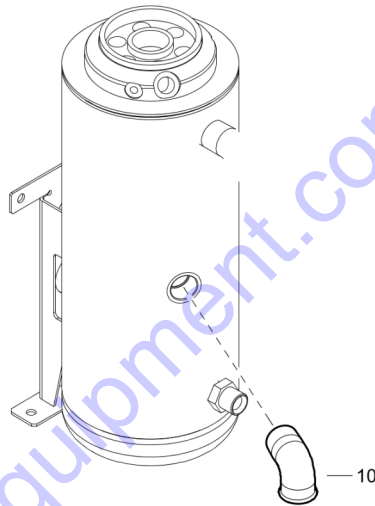
Go to Discount-Equipment.com to order your parts





<b>Id</b>	<b>Qty</b>	<b>Number</b>	<b>Name</b>	<b>Specifications</b>
20	1	1638249100	MANIFOLD	
30	1	1619624900	NIPPLE	
40	1	0661100029	WASHER M26	
70	1	1604401901	CONNECTOR	
80	1	0663713600	O-RING 59.5X3	
90	2	0147136303	SCREW:M10X 30;HEX HD,ZN PLT,\$S	
100	2	0301234400	PLAIN WASHER M10	
110	1	0571003572	FITTING	
120	1	0661104900	SEAL WASHER	
140	1	1619624900	NIPPLE	
150	1	0661100029	WASHER M26	
160	1	1638249100	MANIFOLD	
200	1	1619624900	NIPPLE	
210	1	0661100029	WASHER M26	
250	1	1619624900	NIPPLE	
260	1	0661100029	WASHER M26	

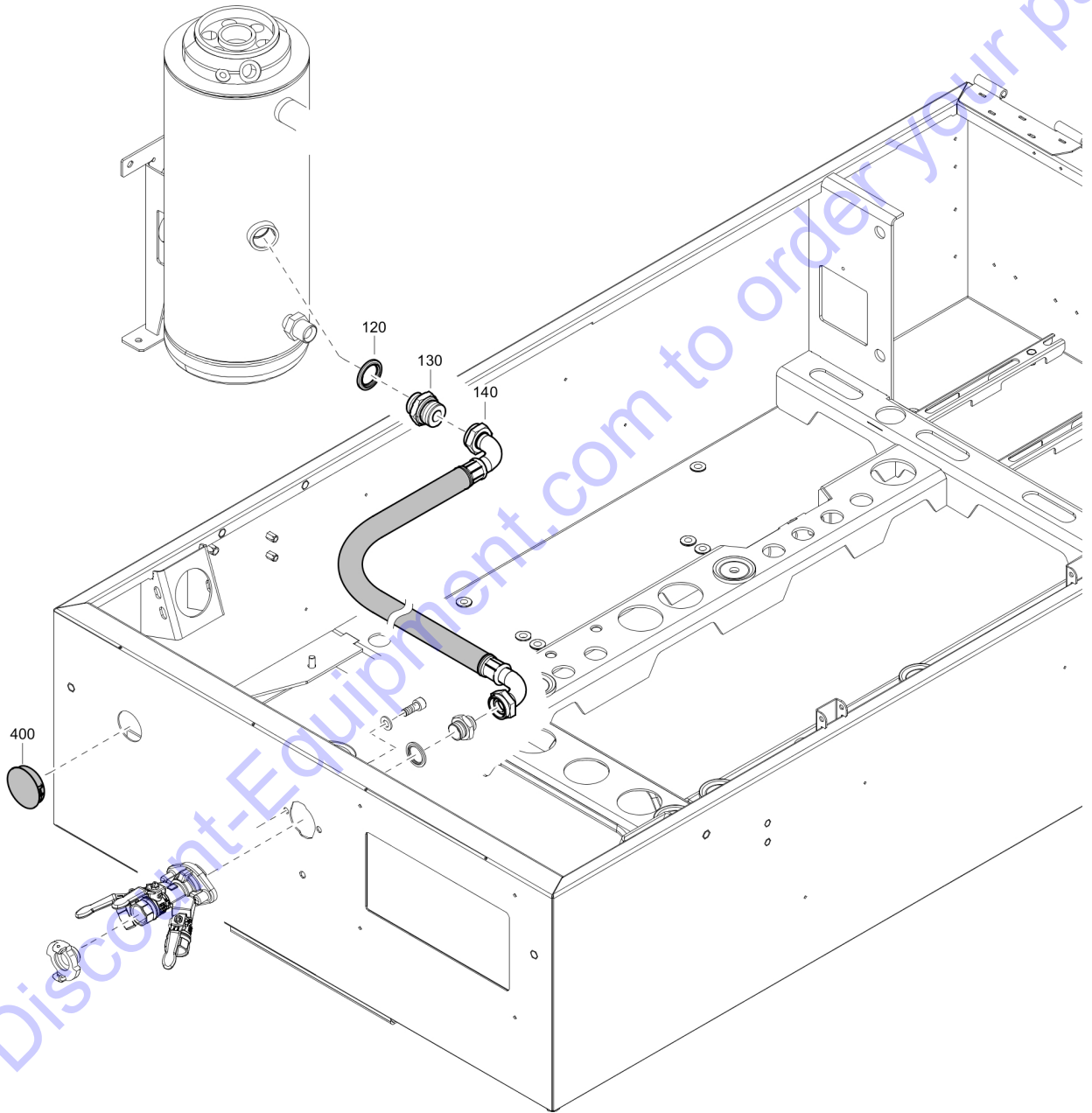
Go to Discount-Equipment.com to order your parts



Go to Discount-Equipment.com to order your parts

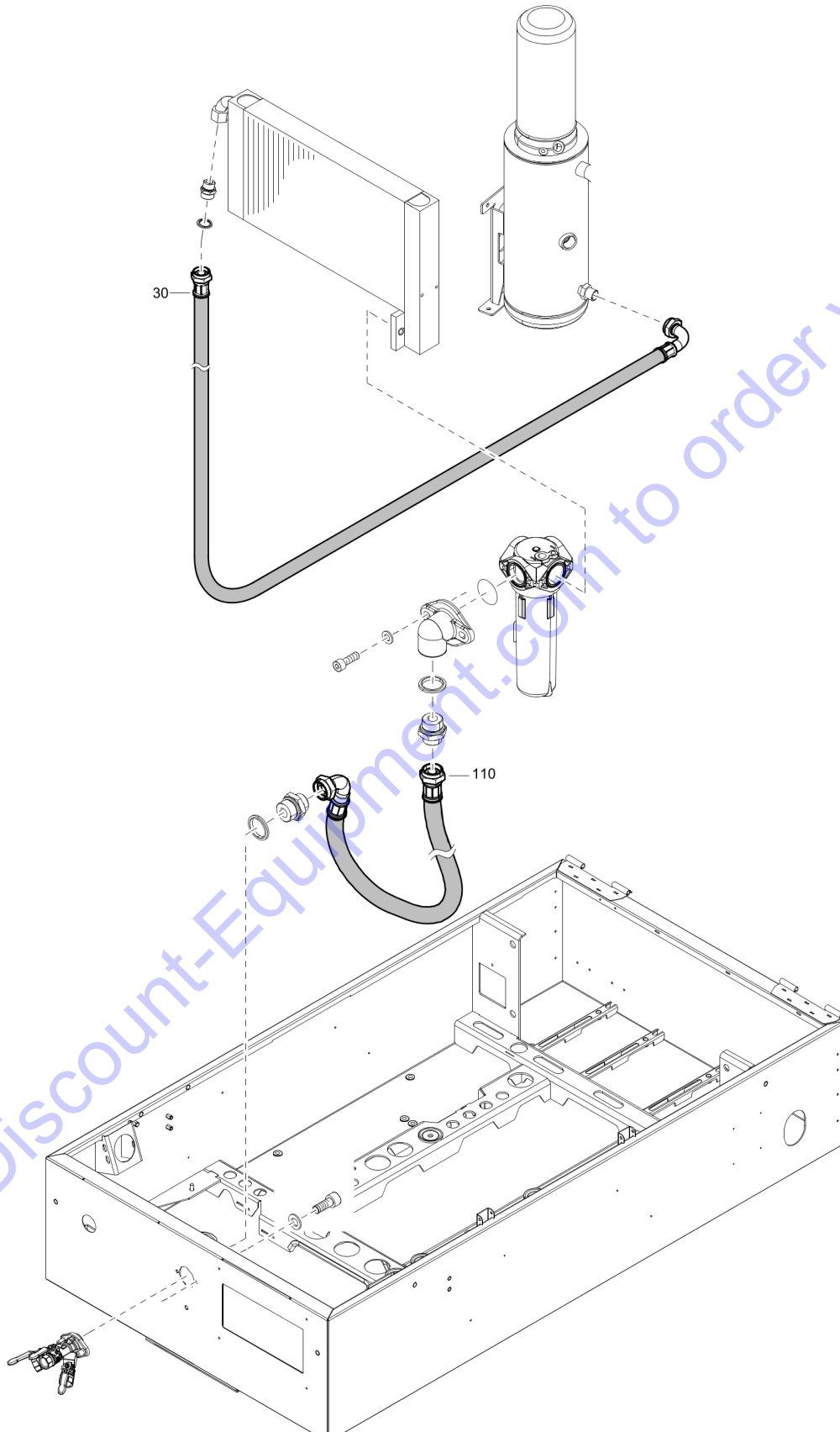
Id	Qty	Number	Name	Specifications
10	1	0560020002	ELBOW	

Go to Discount-Equipment.com to order your parts



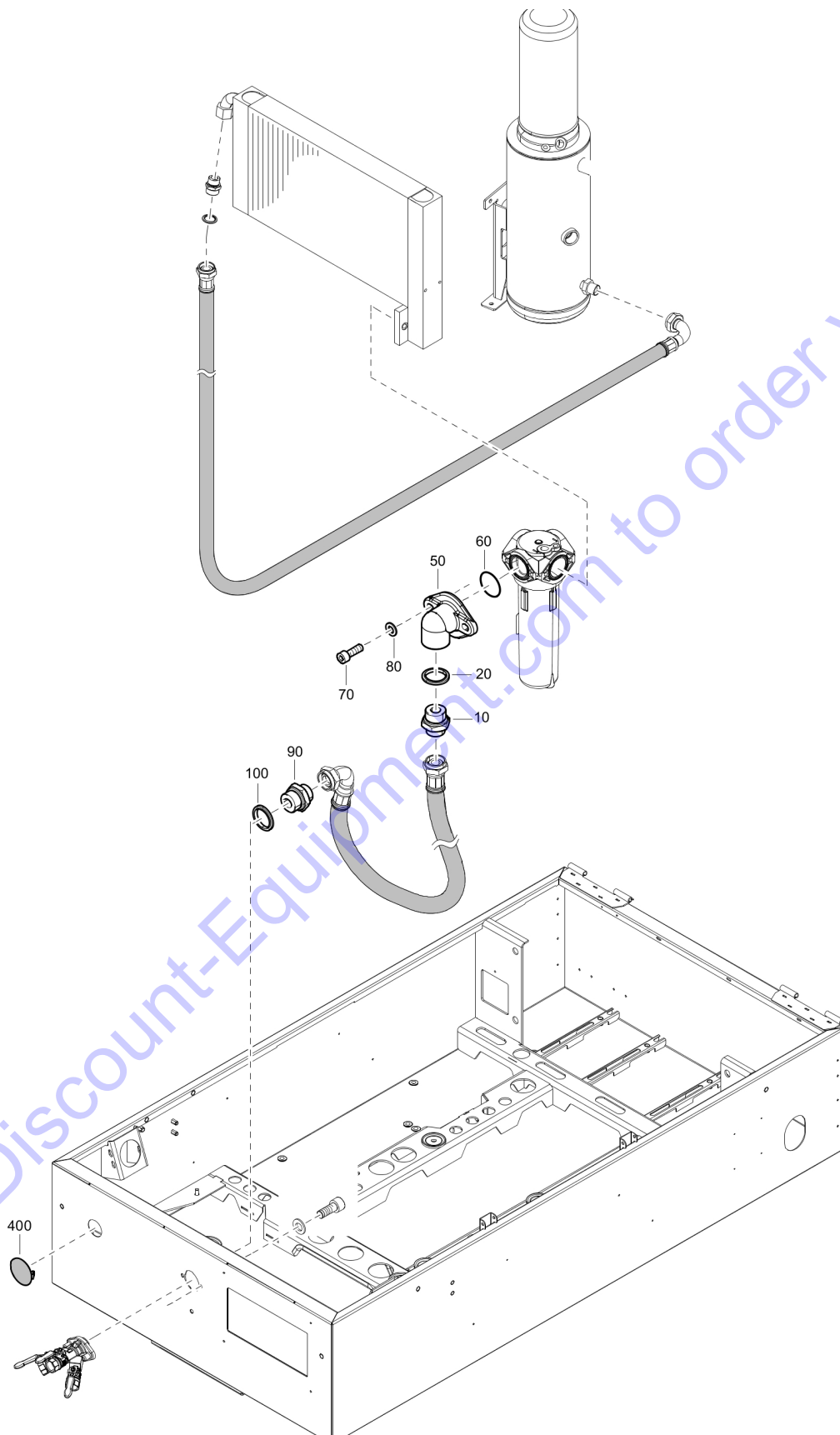
<b>Id</b>	<b>Qty</b>	<b>Number</b>	<b>Name</b>	<b>Specifications</b>
120	1	0661104900	SEAL WASHER	
130	1	0571003572	FITTING	
140	1	1638778501	HOSE ASSEMBLY	
400	1	1638535000	Plug	

Go to Discount-Equipment.com to order your parts



<b>Id</b>	<b>Qty</b>	<b>Number</b>	<b>Name</b>	<b>Specifications</b>
30	1	1638804700	HOSE ASSEMBLY	
110	1	1638786800	HOSE ASSEMBLY	

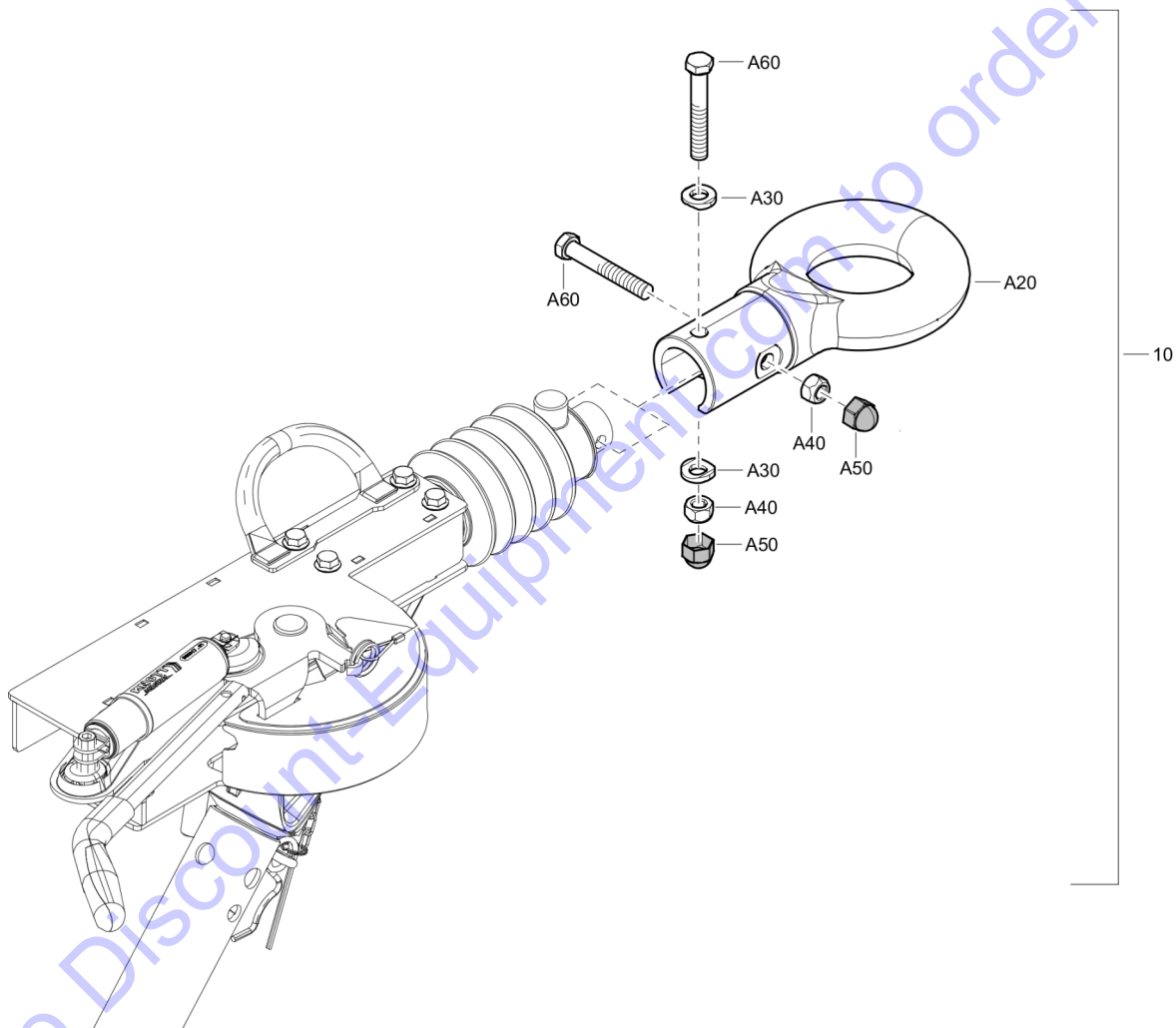
Go to Discount-Equipment.com to order your parts





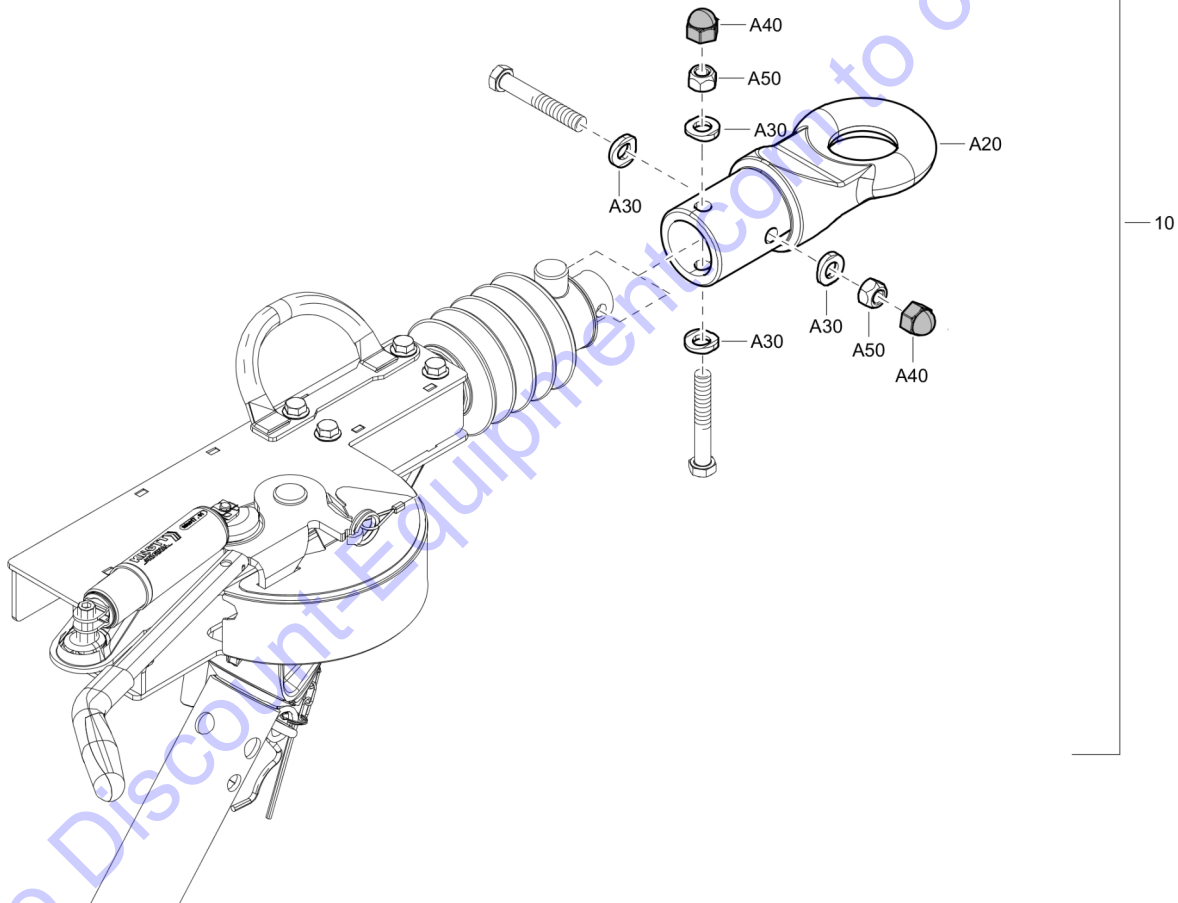
Id	Qty	Number	Name	Specifications
10	1	0571003572	FITTING	
20	1	0661104900	SEAL WASHER	
50	1	1604401901	CONNECTOR	
60	1	0663713600	O-RING 59.5X3	
70	2	0147136303	SCREW:M10X 30;HEX HD,ZN PLT,\$S	
80	2	0301234400	PLAIN WASHER M10	
90	1	0571003572	FITTING	
100	1	0661104900	SEAL WASHER	
400	1	1638535000	Plug	

Go to Discount-Equipment.com to order your parts



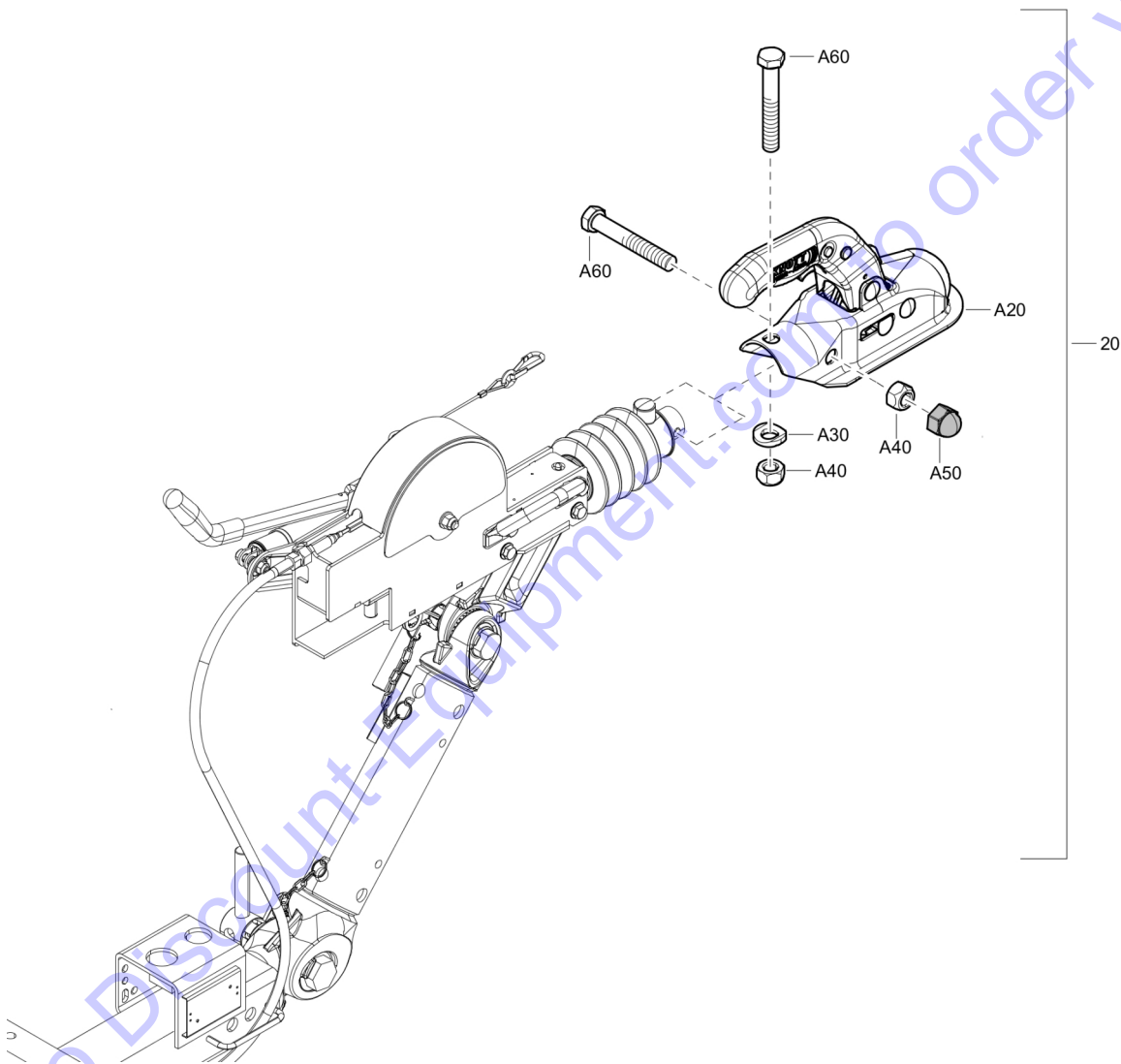
Id	Qty	Number	Name	Specifications
A20	1	1638307800	Eye towing nato	
A30	2	1638308300	WASHER PLAIN	
A40	2	1638308800	NUT LOCK	
A50	2	1638308900	CAP	
A60	2	0147196304	SCREW	

Go to Discount-Equipment.com to order your parts



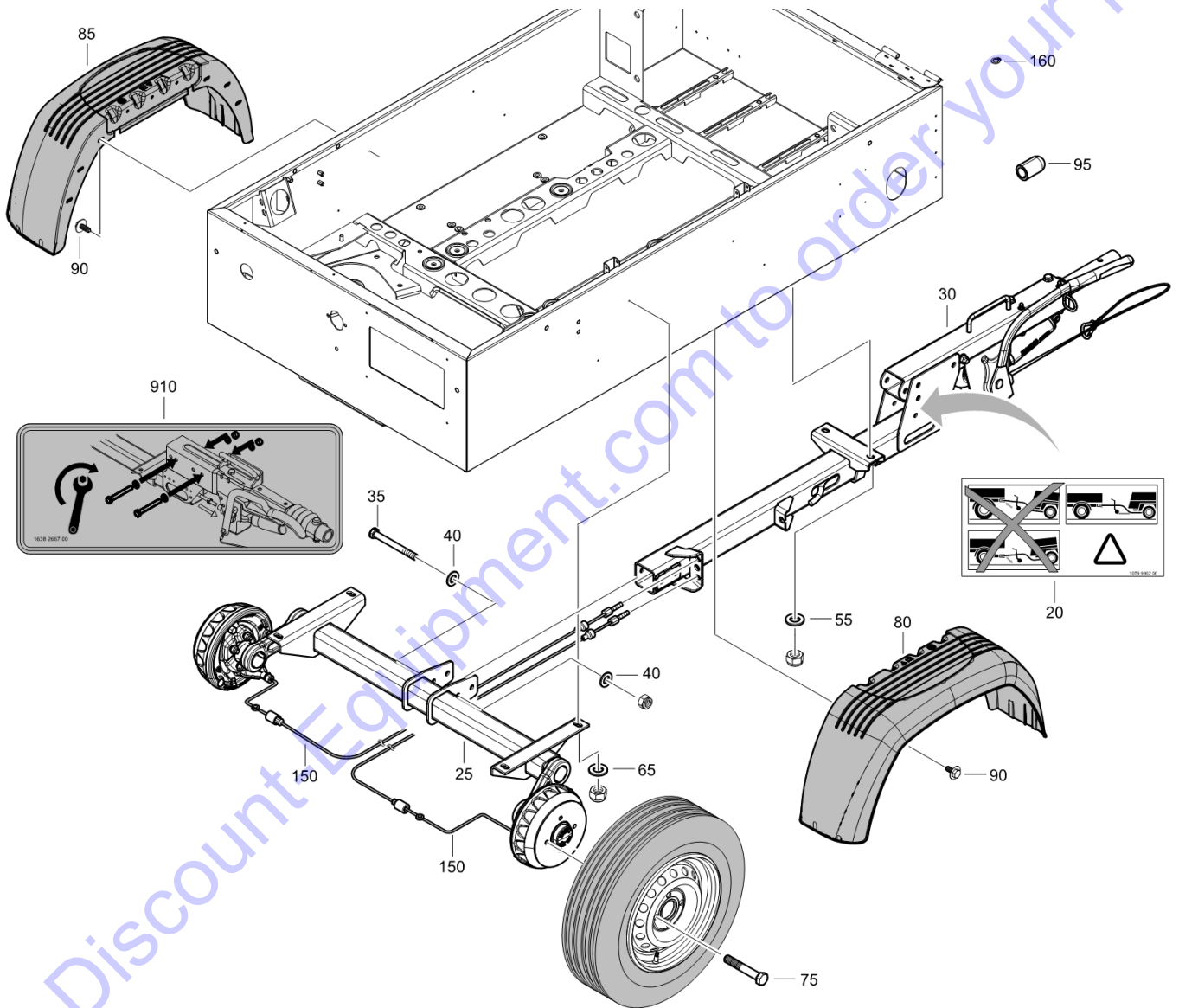
<b>Id</b>	<b>Qty</b>	<b>Number</b>	<b>Name</b>	<b>Specifications</b>
A20	1	1638308000	Eye towing gb d50	
A30	4	1638308300	WASHER PLAIN	
A40	2	1638308900	CAP	
A50	2	1638308800	NUT LOCK	

Go to Discount-Equipment.com to order your parts



Id	Qty	Number	Name	Specifications
A20	1	1638307700	Eye towing ball coupling	
A30	1	1638308300	WASHER PLAIN	
A40	2	1638308800	NUT LOCK	
A50	1	1638308900	CAP	
A60	2	0147196303	HEX. HEAD SCREW M12X70-10.9	

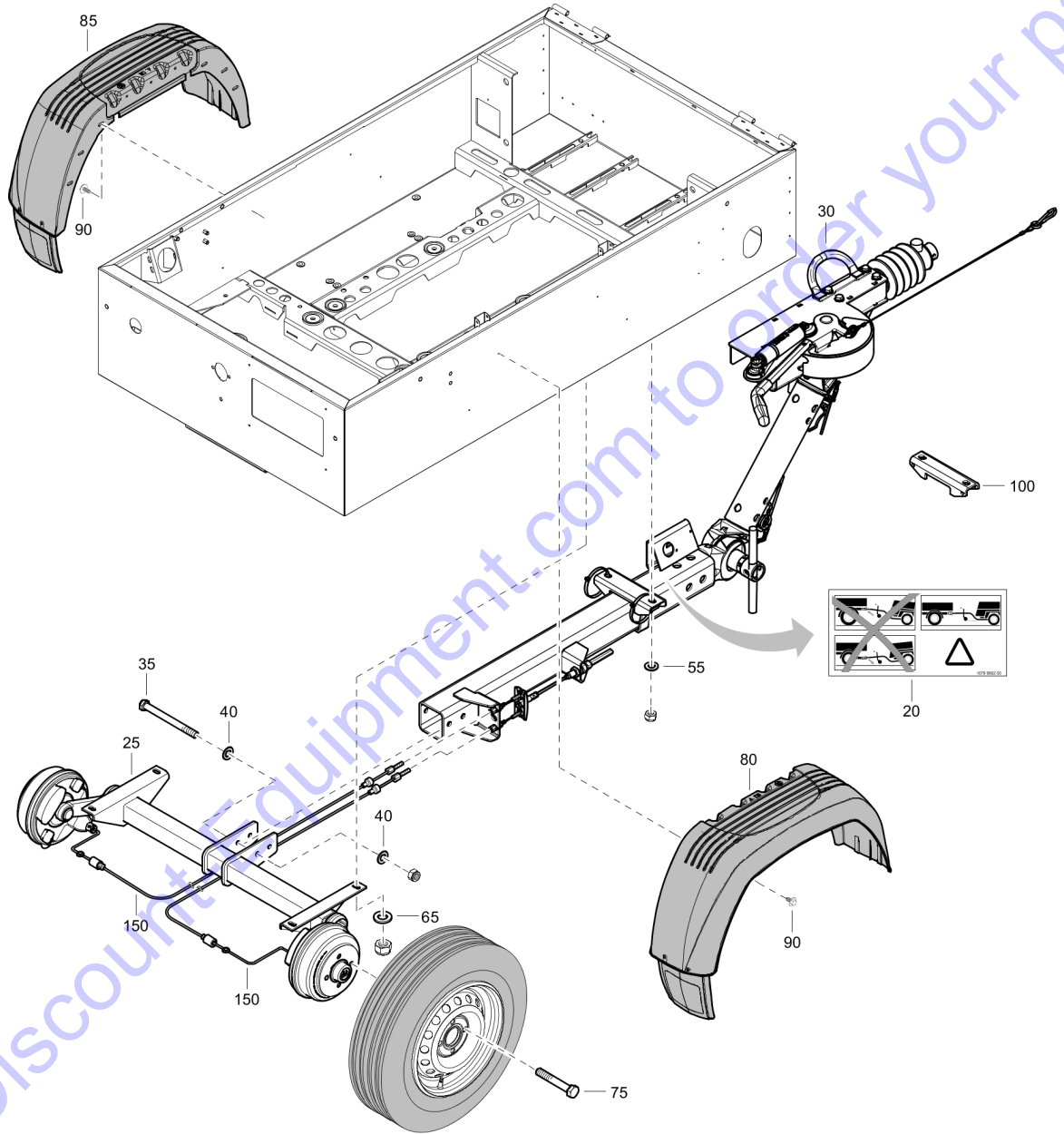
Go to Discount-Equipment.com to order your parts





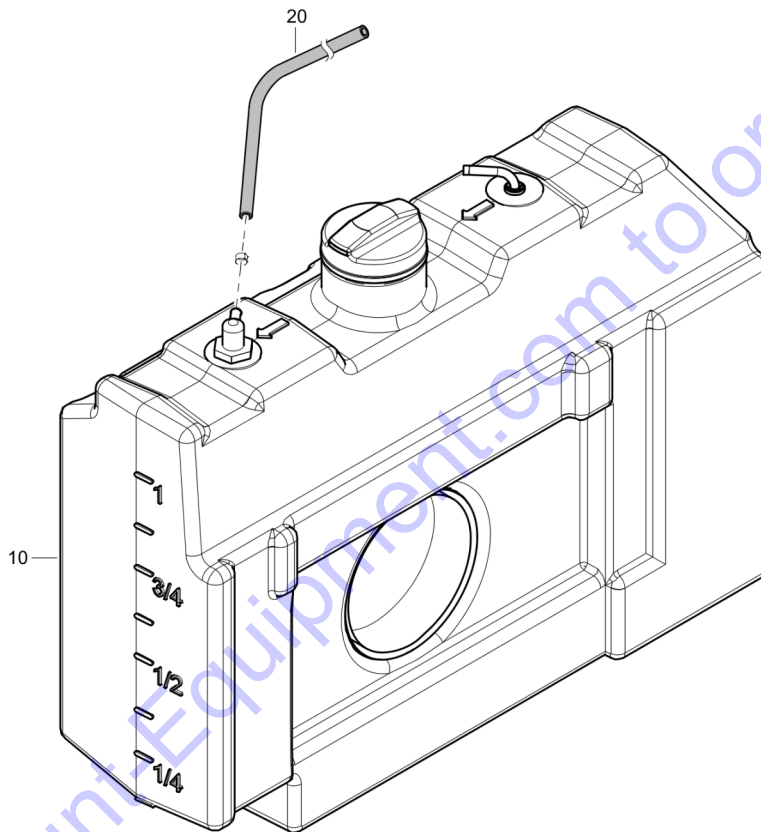
Id	Qty	Number	Name	Specifications
20	1	1079990200	WARNING LABEL	
25	1	1638401600	AXLE	
30	1	1638401000	TOWBAR	
35	2	0147141803	HEX. HEAD SCREW	
40	4	0301235800	PLAIN WASHER(A)	13 X 24 X 2.5
55	2	0301235800	PLAIN WASHER(A)	13 X 24 X 2.5
65	4	0301235800	PLAIN WASHER(A)	13 X 24 X 2.5
75	8	1626602900	BOLT HEXAGON	
80	1	1638252801	MUDGUARD	
85	1	1638252801	MUDGUARD	
90	8	1619276500	SCREW	
95	8	0686925402	PROTECTION CAP	
150	2	1638298200	BRAKE CABLE	
160	1	0335111000	SPRING WASHER	
910	1	1638266700	DECAL INSTRUCT.	

Go to Discount-Equipment.com to order your parts



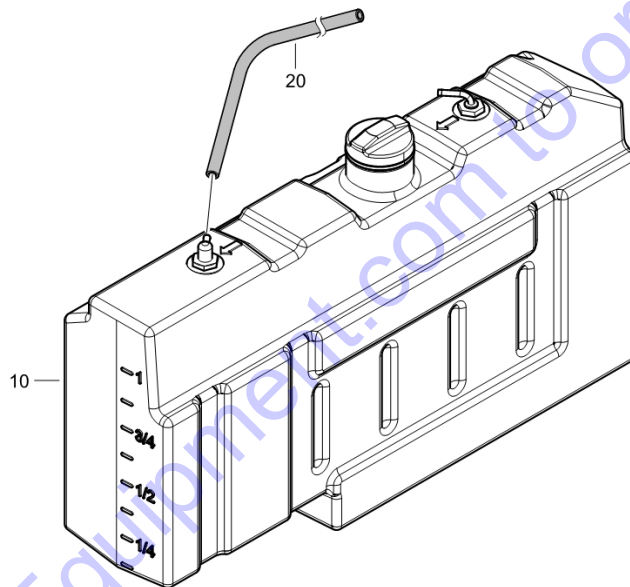
Id	Qty	Number	Name	Specifications
20	1	1079990200	WARNING LABEL	
25	1	1638609600	AXLE	
30	1	1638615500	TOWBAR	
35	2	0147141903	Hex. head screw	
40	4	0301235800	PLAIN WASHER(A)	13 X 24 X 2.5
55	2	0301235800	PLAIN WASHER(A)	13 X 24 X 2.5
65	4	0301235800	PLAIN WASHER(A)	13 X 24 X 2.5
75	8	1626602900	BOLT HEXAGON	
80	1	1638252801	MUDGUARD	
85	1	1638252801	MUDGUARD	
90	8	1619276500	SCREW	
100	1	1638881800	Bracket	
150	2	1638298200	BRAKE CABLE	

Go to Discount-Equipment.com to order your parts



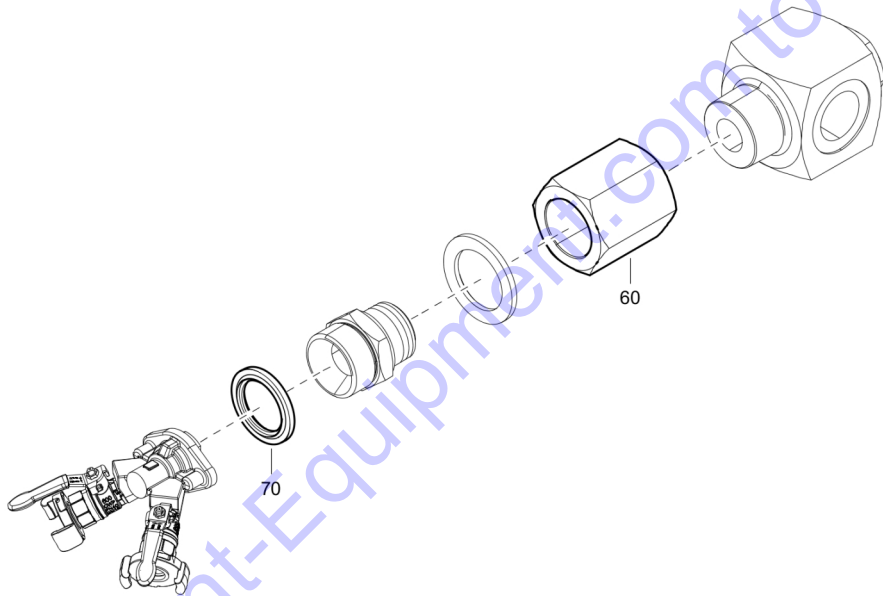
<b>Id</b>	<b>Qty</b>	<b>Number</b>	<b>Name</b>	<b>Specifications</b>
10	1	1638590780	TANK FUEL	
20		0075402599	HOSE	

Go to Discount-Equipment.com to order your parts



<b>Id</b>	<b>Qty</b>	<b>Number</b>	<b>Name</b>	<b>Specifications</b>
10	1	1638116483	TANK FUEL	
20	1	0075402599	HOSE	

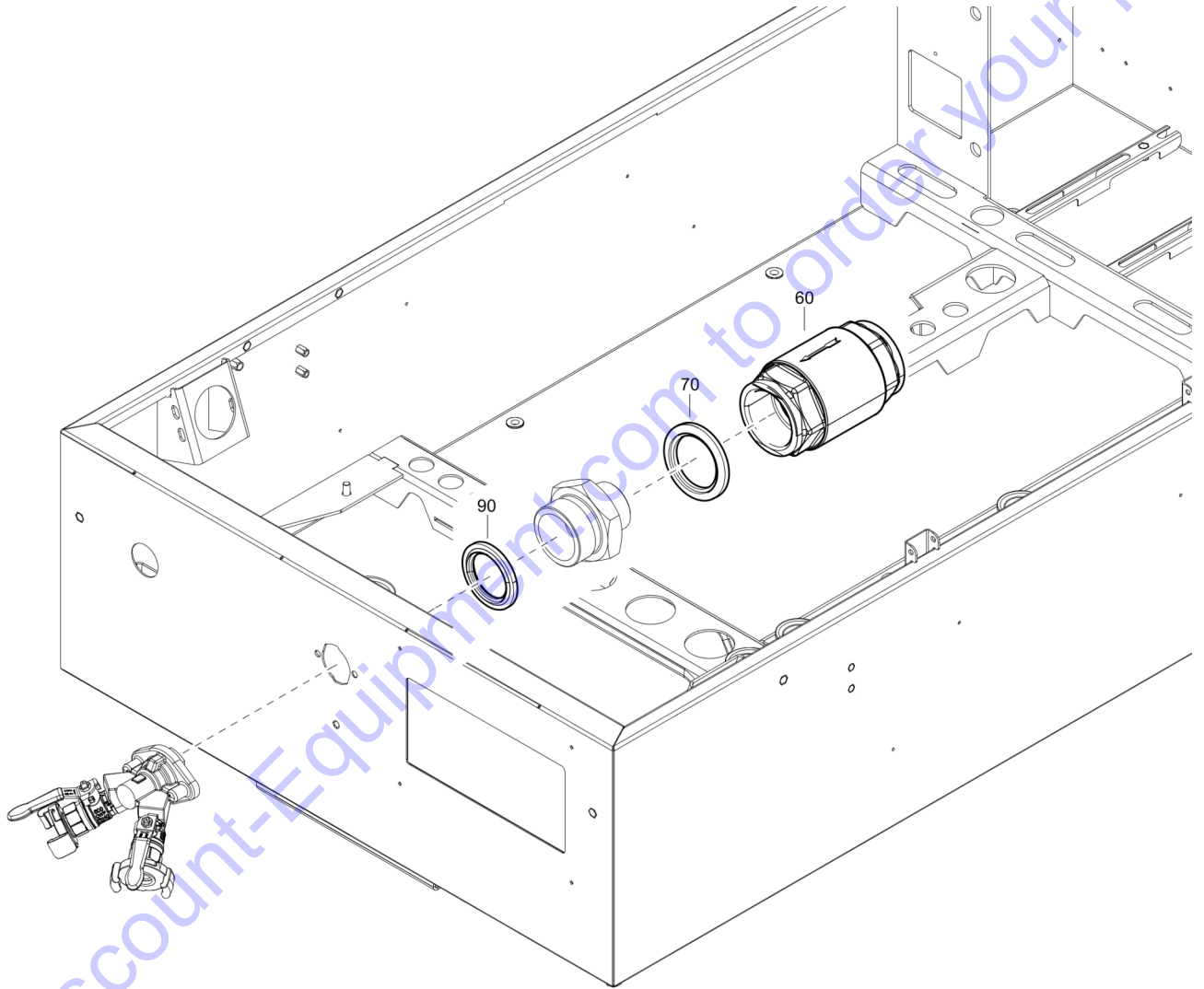
Go to Discount-Equipment.com to order your parts





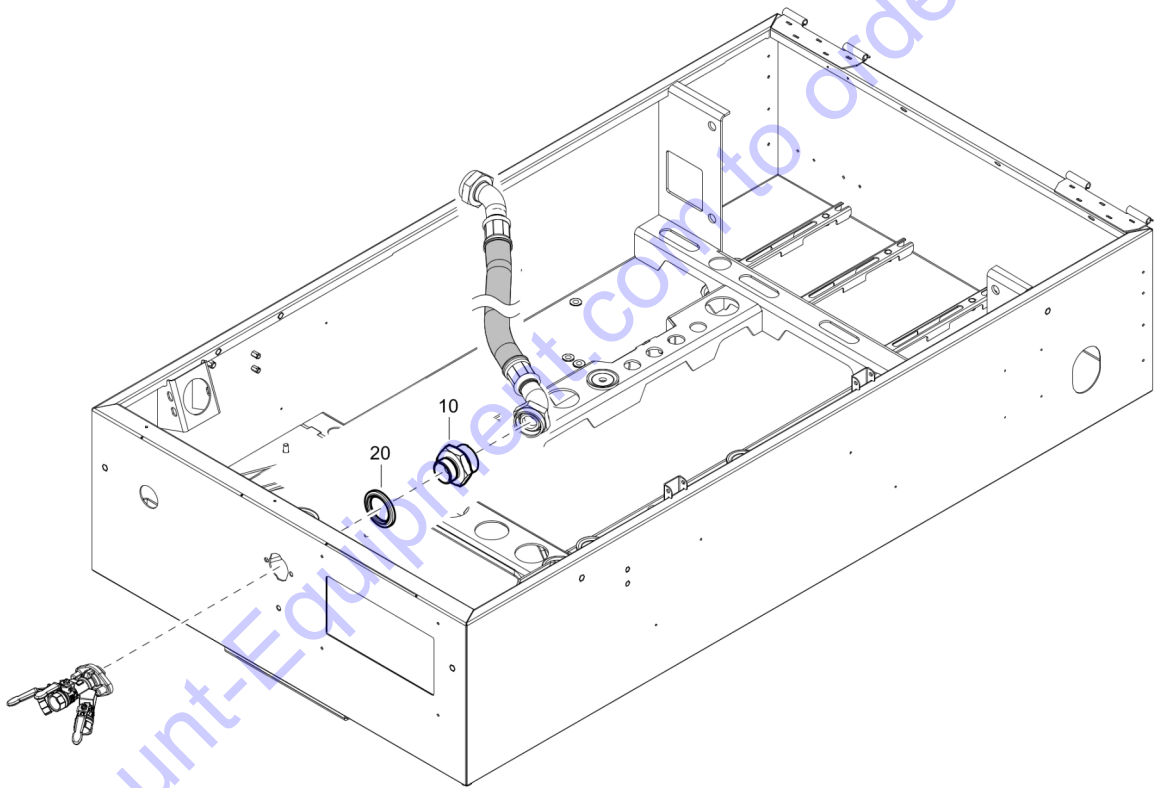
<b>Id</b>	<b>Qty</b>	<b>Number</b>	<b>Name</b>	<b>Specifications</b>
60	1	1638249000	NIPPLE HEXAGON	
70	1	0661104900	SEAL WASHER	

Go to Discount-Equipment.com to order your parts



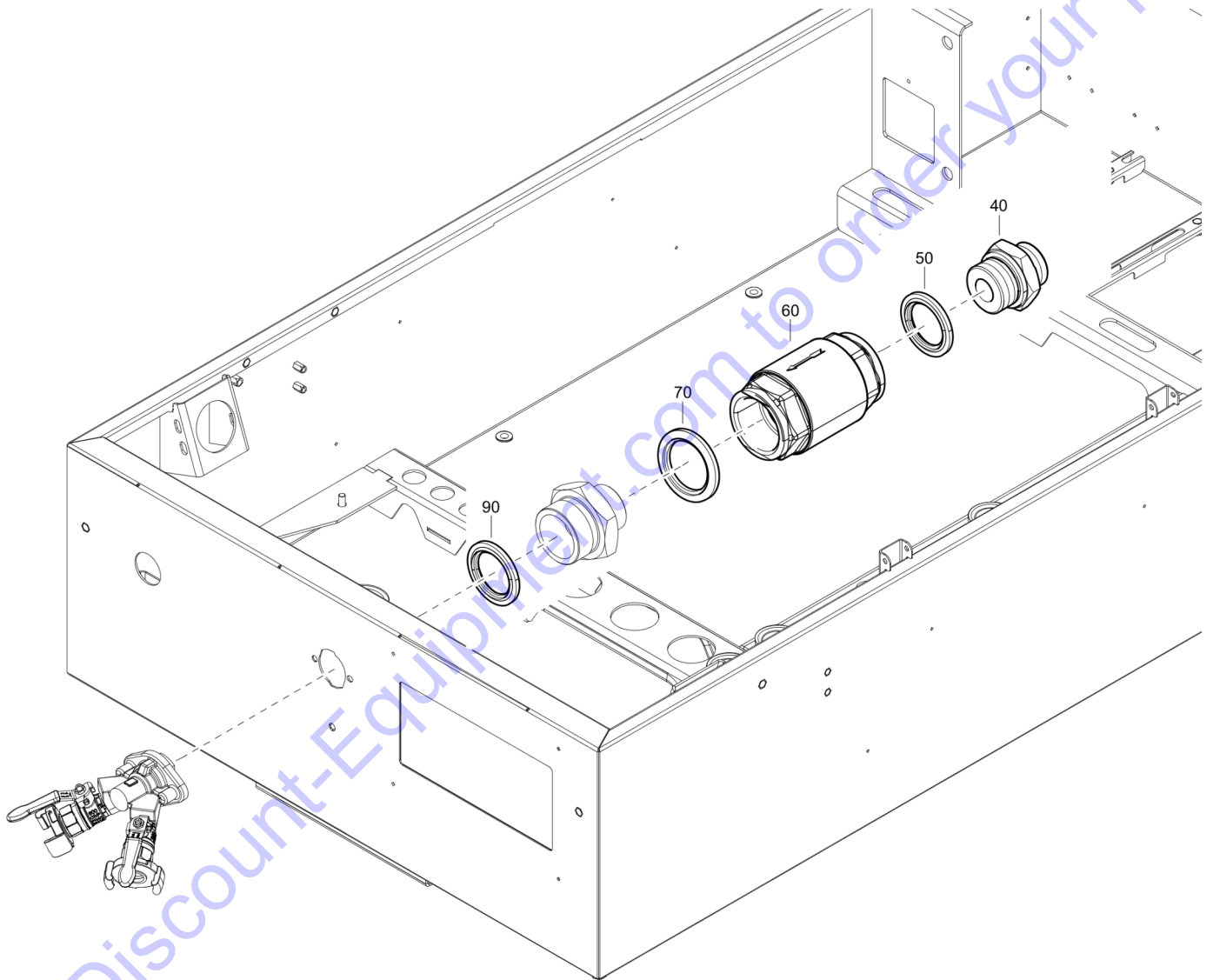
<b>Id</b>	<b>Qty</b>	<b>Number</b>	<b>Name</b>	<b>Specifications</b>
60	1	1615961500	NON RET. VALVE	
70	1	0661104900	SEAL WASHER	
90	1	0661103800	SEALING WASHER	

Go to Discount-Equipment.com to order your parts



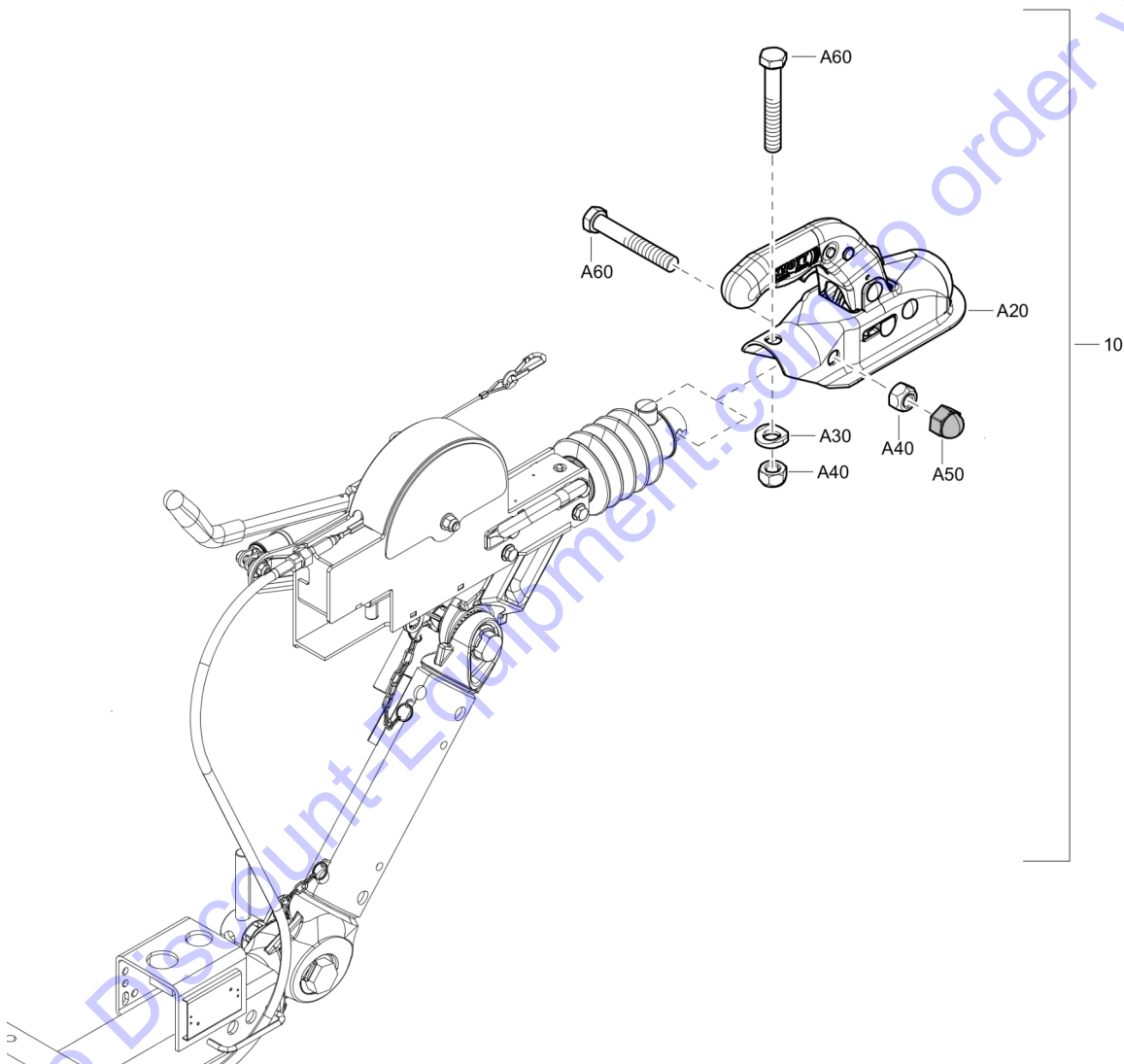
<b>Id</b>	<b>Qty</b>	<b>Number</b>	<b>Name</b>	<b>Specifications</b>
10	1	1638228602	NOZZLE	
20	1	0661103800	SEALING WASHER	

Go to Discount-Equipment.com to order your parts



<b>Id</b>	<b>Qty</b>	<b>Number</b>	<b>Name</b>	<b>Specifications</b>
40	1	0571003572	FITTING	
50	1	0661104900	SEAL WASHER	
60	1	1615961500	NON RET. VALVE	
70	1	0661104900	SEAL WASHER	
90	1	0661103800	SEALING WASHER	

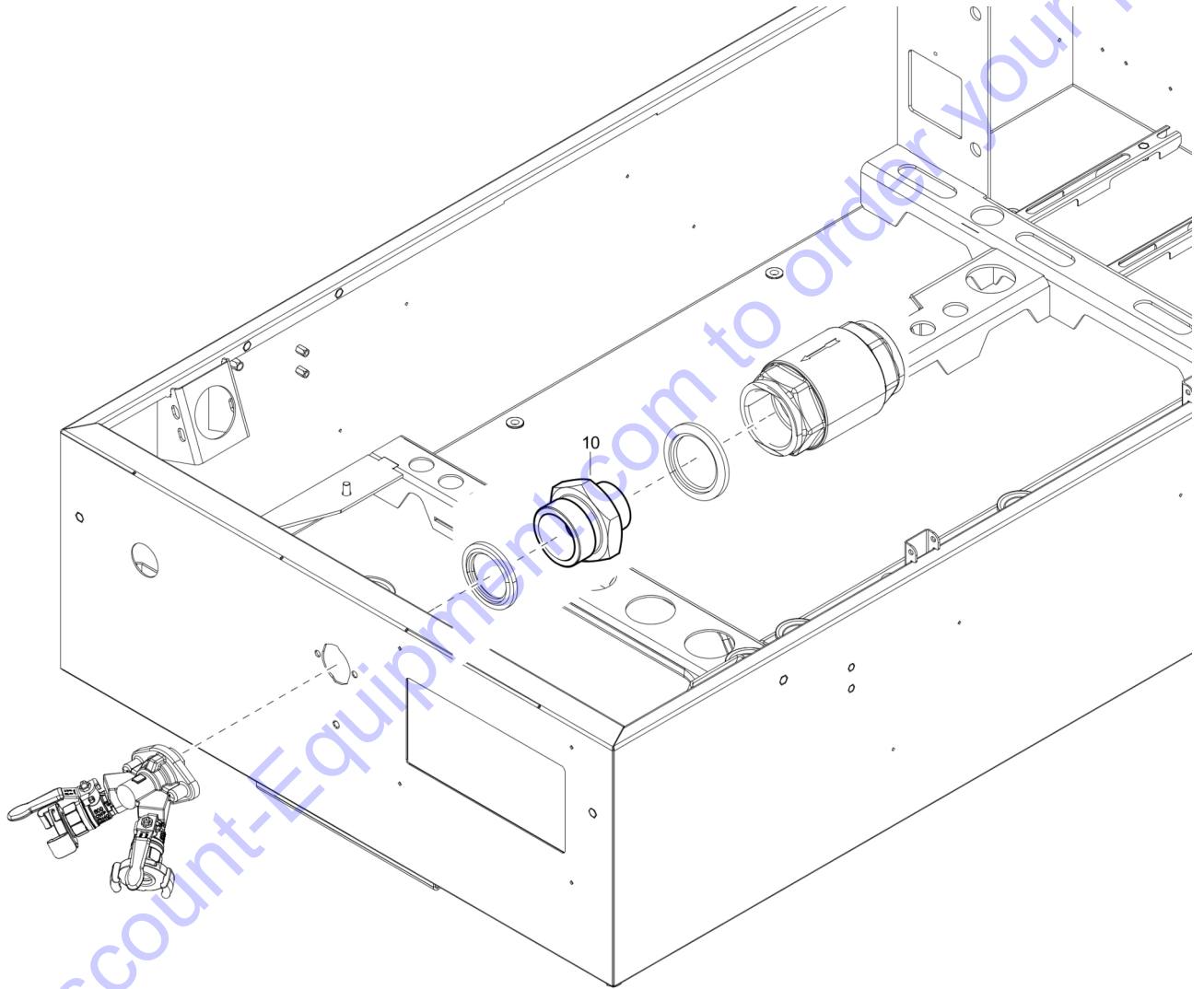
Go to Discount-Equipment.com to order your parts





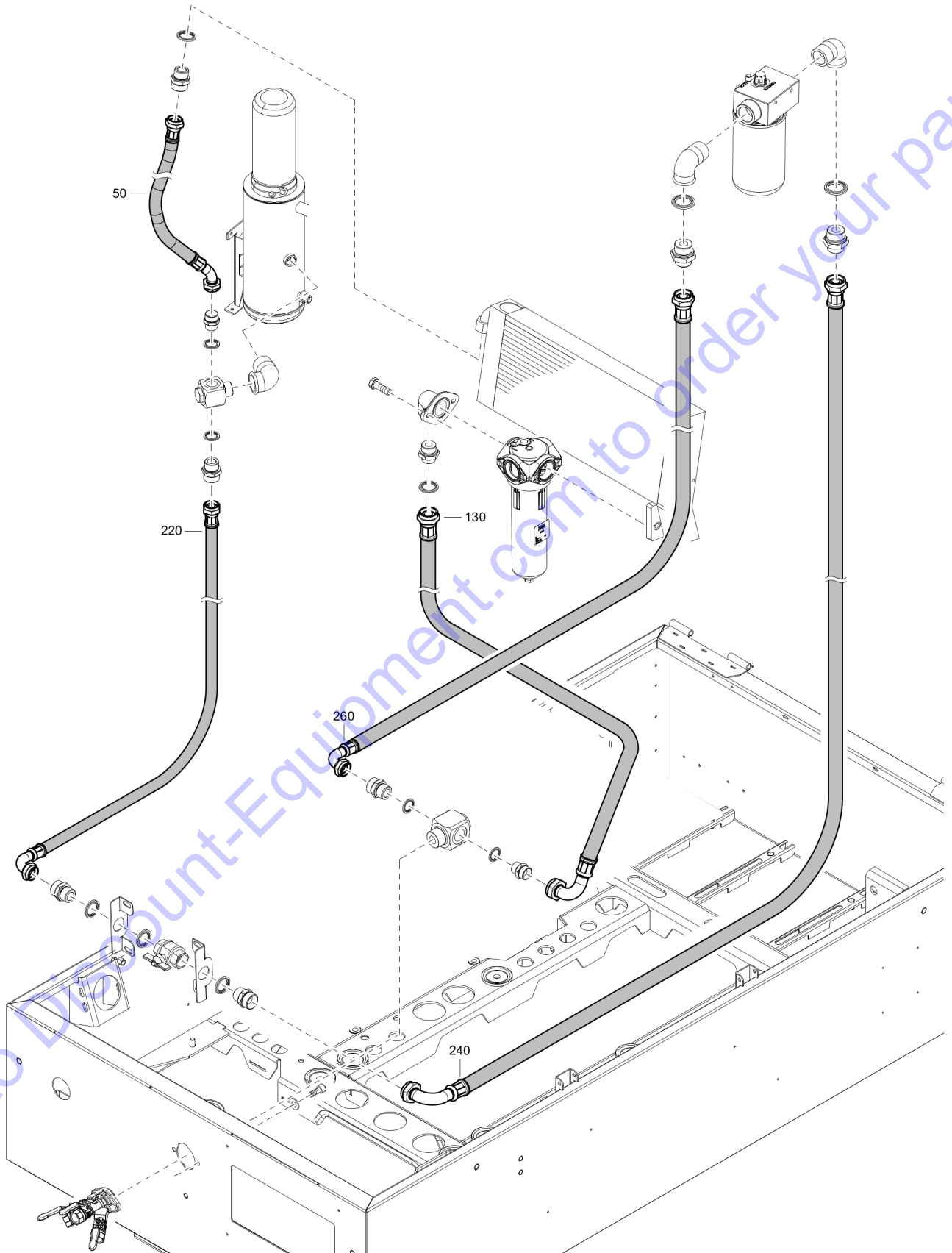
Id	Qty	Number	Name	Specifications
A20	1	1638307700	Eye towing ball coupling	
A30	1	1638308300	WASHER PLAIN	
A40	2	1638308800	NUT LOCK	
A50	1	1638308900	CAP	
A60	2	0147196303	HEX. HEAD SCREW M12X70-10.9	

Go to Discount-Equipment.com to order your parts



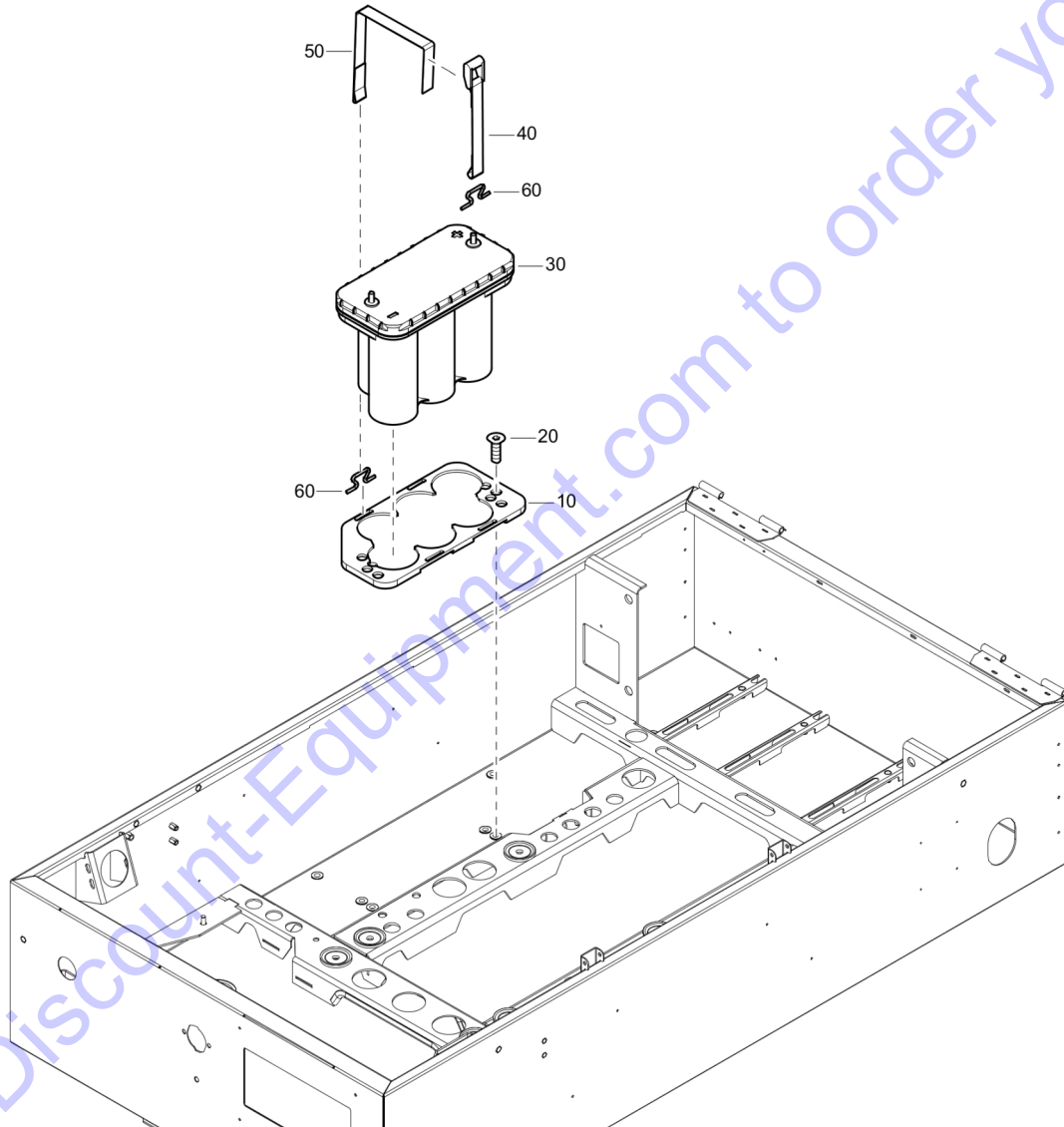
Id	Qty	Number	Name	Specifications
10	1	1638259001	NOZZLE	

Go to [Discount-Equipment.com](https://Discount-Equipment.com) to order your parts



Id	Qty	Number	Name	Specifications
50	1	1638549400	HOSE ASSEMBLY	
130	1	1638786900	HOSE ASSEMBLY	
220	1	1638547700	HOSE ASSEMBLY	
240	1	1638549700	HOSE ASSEMBLY	
260	1	1638549700	HOSE ASSEMBLY	

Go to Discount-Equipment.com to order your parts



Id	Qty	Number	Name	Specifications
10	1	1638846300	TRAY	
20	4	0216195761	HEX. SOCK M8X25X8.8	
30	1	1638818600	BATTERY	
40	2	1616461401	BELT FLAT	
50	2	1616461500	NYLON BAND	
60	4	1626360700	RETAINER	

Go to Discount-Equipment.com to order your parts

Part no	Part no	Part no	Part no	Part no	Part no
	Compressor_oil_Geno		2912501600		Engine_oil_Genoil
	2912501600		Engine_oil_Genoil		2912501600
	2912501500		2912501600		2912501500
	Engine_oil_Genoil		Compressor_oil_Geno		Compressor_oil_Geno
	2912501500		2912501600	0070600204	1611701576
0070600205	1611701626	0070600206	1611701439	0070600206	1611701424
0070600206	1611701570	0070600248	1611702414	0075402543	1611701440
0075402543	1611701440	0075402599	1611701440	0075402599	1611701440
0075402599	1611701440	0075402599	1611701440	0075402599	1611701403_03
0075402599	1611701440	0075402599	1611701326	0102041000	1611701439
0102045800	1611701439	0102045800	1611701439	0103127500	1638121680
0129317700	1611869012	0144324320	1611701439	0147111126	1611701439
0147117303	1611700404	0147120803	1611701579	0147120803	1611701579
0147124403	1638846581	0147124603	1611701440	0147124603	1611701932
0147124703	1611731131	0147124703	1611731131	0147125103	1611701829
0147125112	1638606780	0147125403	1611701440	0147125703	1638606780
0147132003	1611701626	0147132003	1611701635	0147132003	1611701626
0147132003	1611702201	0147132103	1611701630	0147132203	1611701932
0147132203	1611702201	0147132503	1611701683	0147132503	1611701633
0147132503	1611701633	0147132503	1611701632	0147132503	1611701570
0147132603	1611701683	0147132603	1611701440	0147133100	1611701570
0147134203	1611701626	0147134203	1611701626	0147134203	1611701724
0147135903	1611701579	0147136203	1611812431	0147136303	1611701628
0147136303	1611701624	0147136303	1611701635	0147136303	1611701631
0147136303	1611734831	0147136303	1611701632	0147136303	1611701424
0147136303	1611701633	0147136403	1611701932	0147136903	1638522282
0147140003	1611726231	0147140003	1611731131	0147141703	2914900062
0147141803	1611744531	0147141803	1611744331	0147141803	1611744131
0147141803	1611744431	0147141803	1611745531	0147141803	1611744231
0147141903	1611700466	0147196303	1611701248	0147196303	1638746380
0147196303	1611701413	0147196303	1638307780	0147196304	1638307980
0147196304	1638307880	0147196304	1611853014	0147196402	1611701438
0160099696	1611701579	0211110251	1611701611	0211110576	1611701439
0211110607	1611701439	0211110607	1611701424	0211110614	1611701439
0211110614	1611701424	0211125000	1611701438	0211132300	1611701249
0211132300	1611701571	0211132303	1611701633	0211132303	1611701632
0211132503	1611701424	0211132503	1611701576	0211132503	1611701440
0211132503	1611701424	0211132503	1611701439	0211132803	1611702201
0211133403	1611701439	0211136303	1611701439	0211136303	1611701626
0211136303	1611701396	0211136403	1611701439	0211137503	1611701439
0211140203	1611701828	0211171109	1611701579	0211171109	1611701579
0211196118	1611701439	0211196122	1611701579	0211196122	1611701424
0211196122	1611701579	0211196281	1611701424	0215000375	1611701611
0216132403	1611731131	0216195738	1611701439	0216195761	1611701766
0216195761	1611701766	0226004709	1638846581	0226004709	1611702181
0226004709	1611701852	0226004709	1611701852	0226004709	1611701851
0226004709	1611701851	0226333003	1638186182	0226991510	1611701639
0226991510	1611702201	0246119604	1638847082	0246129604	1638847082
0246195657	1638847082	0261210800	1638165281	0266113802	1611731331
0266210600	1611700404	0266210800	1611731131	0266210800	1611731131
0266211000	1611701633	0266211000	1611701632	0266211000	1611701633
0291110800	1611701440	0291110800	1611701579	0291110800	1611701579
0291110800	1611701579	0291111000	1611702201	0291111000	1611701639
0291111000	1611720331_03W	0291111000	1638846581	0291111100	1611734831
0291111100	1611814531	0291111100	1611701611	0291111100	1611812431
0291111200	1611731331	0291112820	1638522282	0291118504	1611701424
0291118504	1611731131	0291118504	1611701579	0291118507	1611701579
0291118513	1611734931	0298100180	1611731131	0300027470	1611701851
0300027470	1611701852	0300027470	1611701579	0300027602	1611731331
0300801900	1611731131	0301231500	1611700404	0301231800	1611701579
0301232100	1611869012	0301232100	1611701579	0301232100	1638606780
0301232100	1611701440	0301232100	1638846581	0301232100	1611701440



Part no	Part no	Part no	Part no	Part no	Part no
0301232100	1611731131	0301232100	1611701932	0301232100	1611731131
0301233500	1611701633	0301233500	1611701571	0301233500	1611701424
0301233500	1611701440	0301233500	1611701639	0301233500	1611720331_03W
0301233500	1611701440	0301233500	1611701626	0301233500	1611701632
0301233500	1611701635	0301233500	1611701932	0301233500	1638606780
0301233500	1611702201	0301233500	1611701249	0301233500	1611701626
0301233500	1611702201	0301233500	1611701424	0301233500	1611701724
0301234400	1611701424	0301234400	1611701631	0301234400	1611734831
0301234400	1611701624	0301234400	1611701633	0301234400	1611701626
0301234400	1611701579	0301234400	1611701628	0301234400	1611701424
0301234400	1611701611	0301234400	1611701611	0301234400	1611814531
0301234400	1611701579	0301234400	1611701439	0301234400	1611814531
0301234400	1611701632	0301234400	1611812431	0301234400	1611701396
0301234400	1611701635	0301235800	1611744531	0301235800	1611744531
0301235800	1611744231	0301235800	1611745531	0301235800	1611745531
0301235800	1611744231	0301235800	1611701632	0301235800	1611744231
0301235800	1611726231	0301235800	1611726231	0301235800	1611744431
0301235800	1611744431	0301235800	1611744431	0301235800	1611734931
0301235800	1611744131	0301235800	1611701396	0301235800	1611745531
0301235800	1611731131	0301235800	1611744131	0301235800	1611744531
0301235800	1611700466	0301235800	1611744331	0301235800	1611726331
0301235800	1611700466	0301235800	1611744331	0301235800	1611744331
0301235800	1611744131	0301235800	1611701633	0301235800	1611700466
0333210836	1611701424	0335111000	1611744331	0335300009	1638590780
0335300009	1638116483	0346100241	1611701851	0346100241	1611701852
0346300108	1611701424	0347012207	1611701440	0347012207	1611701440
0347610029	1611702201	0347610900	1611701438	0347610900	1611701438
0347610900	1611701438	0347610900	1611701438	0347611300	1611735231
0347611400	1611702201	0347611500	1611702201	0347611600	1611702201
0348010124	1611701440	0348011003	1611702181	0500451021	1638606780
0538040020	1611745531	0538040020	1611742831	0538040020	1615924288
0560020002	1611701630	0560020002	1611701630	0560020002	1611701792
0560440573	1611720331_03W	0564000068	1611701396	0564000068	1611734231
0571001015	1611701440	0571003509	1611701396	0571003536	1611731131
0571003572	1611701633	0571003572	1611701624	0571003572	1611701628
0571003572	1611701632	0571003572	1611701736	0571003572	1611701630
0571003572	1611701630	0571003572	1611701624	0571003572	1611701629
0571003572	1611701631	0571003572	1611701396	0571003572	1611701635
0571003572	1611701249	0571003572	1611701249	0571003572	1611701250
0571003572	1611701396	0571003622	1611701632	0581202536	1611702414
0581202592	1611701570	0581202604	1611701439	0583810057	1611702414
0583810057	1611701576	0583810057	1611701576	0583810167	1611701424
0583812086	1611701626	0583812087	1611701626	0583812088	1611701439
0583812088	1611701424	0583812088	1611701570	0583812100	1611702414
0603424302	1611701396	0605830303	1611701579	0623210603	1611701396
0653104300	1611701576	0653106200	1611701424	0653107200	1611701439
0653110000	1638847082	0653111500	1611701400	0653111500	1611701635
0653111500	1611701635	0653111500	1611701400	0661100029	1611701632
0661100029	1611701628	0661100029	1611701635	0661100029	1611701628
0661100029	1611701632	0661100029	1611701635	0661100029	1611701631
0661100029	1611701628	0661100029	1611701631	0661100029	1611701631
0661100029	1611701631	0661100029	1611701635	0661100029	1611701632
0661100029	1611734231	0661100029	1611701393	0661100029	1611701393
0661100029	1611701633	0661100029	1611701633	0661100029	1611701635
0661100029	1611701633	0661100029	1611701633	0661100029	1611701626
0661100029	1611701635	0661100029	1611734231	0661100029	1611701632
0661100029	1611734231	0661100029	1611701628	0661100029	1611701635
0661100029	1611701632	0661100029	1611701633	0661100040	1638213580
0661103000	1638606481	0661103800	1611701571	0661103800	1611701396
0661103800	1611731131	0661103800	1611701396	0661103800	1611701932
0661103800	1611701396	0661103800	1611701396	0661103800	1611701249
0661103800	1611701316	0661103800	1611701251	0661103800	1611701250

Part no	Part no	Part no	Part no	Part no	Part no
0661104900	1611701249	0661104900	1611701396	0661104900	1611701632
0661104900	1611701624	0661104900	1611701635	0661104900	1611701250
0661104900	1611701628	0661104900	1611701633	0661104900	1611701631
0661104900	1611701624	0661104900	1611701249	0661104900	1611701250
0661104900	1611701396	0661104900	1611701396	0661104900	1611701251
0661104900	1611701252	0661104900	1611701736	0661104900	1611701629
0661104900	1611701249	0663210197	1611701633	0663210270	1638915180
0663210540	1638121680	0663210615	1611701576	0663210784	1611701439
0663210785	1611701439	0663211135	1611701570	0663211596	1611701439
0663212900	1638121680	0663311600	1638121680	0663313200	1611701570
0663611400	1638606780	0663611800	1638606780	0663711900	1638606780
0663712000	1638606780	0663713200	1611701932	0663713400	1611701570
0663713600	1611701628	0663713600	1611701624	0663713600	1611701635
0663713600	1611701631	0663713600	1611701633	0663713600	1611701626
0663713600	1611701632	0665099954	1638606780	0665911000	1638606780
0686310119	1611701396	0686310119	1611701633	0686310119	1611701632
0686371601	1611701439	0686371638	1638847082	0686371638	1638213580
0686371816	1638606481	0686420103	1611701576	0686925402	1611744331
0686925402	1611744131	0686925402	1611744431	0686925402	1611744531
0686925402	1611744231	0686925402	1611745531	0823005009	1611702414
0830101235	1611720331_03W	0852001047	1611701396	0852001154	1611701393
0975830014	1611702059	0975830014	1611701683	1079584029	1611701932
1079584029	1611731131	1079990200	1611744131	1079990200	1611744231
1079990200	1611744431	1079990200	1611744331	1079990200	1611700466
1079990200	1611744531	1079990200	1611745531	1079992207	1611701829
1079992207	1638846581	1079993186	1611720331_03W	1088001901	1611701579
1088001902	1611701579	1089057470	1611701579	1089948295	1611701579
1089951389	1611701579	1202866304	1611701570	1202871900	1611701424
1202871900	1611701439	1202900601	1611701439	1202900601	1611701424
1202940201	1611726731	1202984405	1611734931	1202984500	1611734931
1310218670	1611702201	1503105600	1611731131	1503105600	1611701579
1503105600	1611731131	1603041500	1611735231	1604033200	1638562100
1604033200	1638567600	1604033200	1611745531	1604033200	1615924288
1604033200	1611742831	1604038801	1638606780	1604038900	1638606780
1604080085	1611702433	1604186900	1638846581	1604220600	1638846581
1604331709	1611701830	1604332900	1611701579	1604401901	1611701624
1604401901	1611701631	1604401901	1611701628	1604401901	1611701635
1604413700	1611701440	1604413700	1611701440	1604413700	1611701440
1604413700	1611701440	1604413700	1611701440	1604413700	1611701440
1604413700	1611701440	1604413700	1611701440	1604413700	1611701440
1604431700	1638846581	1604540901	1611701635	1604585400	1611701438
1604627600	1611701829	1604646600	1611701851	1604646600	1611701579
1604646600	1611702181	1604646600	1611701852	1604646600	1611701850
1605002501	1611701829	1605102900	1611701851	1605102900	1611726731
1605102900	1611701852	1607852288	1611701576	1607852293	1611701576
1607852313	1611701579	1607852396	1611701438	1607861400	1611701579
1607861402	1611701579	1607865145	1611701579	1613080104	1611731131
1613080104	1611731131	1613265500	1638847082	1613543901	1611869012
1613544001	1611869012	1613935680	1611701626	1614611800	1611701932
1615279600	1611734231	1615552000	1611701852	1615552000	1611701851
1615552000	1611726731	1615552000	1611702181	1615566400	1611701424
1615566400	1611720331_03W	1615566400	1611701424	1615566400	1611700404
1615566400	1611701852	1615566400	1611701635	1615566400	1611701438
1615566400	1611701438	1615566400	1611701438	1615566400	1638846581
1615566400	1611701851	1615566400	1611701438	1615632200	1638562100
1615632200	1615924288	1615632200	1638567600	1615632200	1611742831
1615632200	1611745531	1615766701	1638606780	1615767201	1638606780
1615769000	1611701438	1615776707	1611701683	1615834600	1638606780
1615851600	1638590780	1615851600	1638116483	1615875500	1638606780
1615924288	1611745531	1615924288	1611742831	1615957500	1611726231
1615957500	1611726331	1615961500	1611701249	1615961500	1611701251
1615961500	1611701250	1615961500	1611701396	1616461401	1611701766

Part no	Part no	Part no	Part no	Part no	Part no
1616461401	1611701766	1616461500	1611701766	1616461501	1611701766
1616461501	1611701440	1619276500	1611744131	1619276500	1611701579
1619276500	1611744531	1619276500	1611744331	1619276500	1611744231
1619276500	1611744431	1619276500	1611745531	1619276500	1611700466
1619276500	1611701724	1619276600	1611701393	1619276600	1611702059
1619276600	1611701393	1619276600	1611701683	1619276600	1611701579
1619377001	1611702414	1619518800	1638116383	1619550900	1638606481
1619556200	1638186182	1619556200	1638186182	1619556200	1638186182
1619556200	1638186182	1619589801	1611701579	1619589801	1611701579
1619624900	1611701396	1619624900	1611701635	1619624900	1611701635
1619624900	1611701635	1619624900	1611701635	1619624900	1611701635
1619624900	1611701396	1619624900	1611701635	1619624900	1611701631
1619624900	1611701628	1619624900	1611701631	1619624900	1611701632
1619624900	1611701393	1619624900	1611701628	1619624900	1611701628
1619624900	1611701631	1619624900	1611701632	1619624900	1611701632
1619624900	1611701628	1619624900	1611701631	1619624900	1611701632
1619624900	1611701633	1619624900	1611701626	1619624900	1611701633
1619624900	1611701633	1619624900	1611701633	1619624900	1611701393
1619624900	1611701632	1619759500	1611701932	1622272820	1611701932
1626032700	1638606780	1626060101	1611701579	1626167400	1638847082
1626225501	Coolant_Gencool	1626225501	2950899300	1626225601	Coolant_Gencool
1626225601	2950899300	1626225701	2950899300	1626225701	Coolant_Gencool
1626225801	2950899300	1626225801	Engine_oil_Genoil	1626225901	2950899300
1626225901	Engine_oil_Genoil	1626226000	Compressor_oil_Geno	1626226000	2950899300
1626226100	Compressor_oil_Geno	1626226100	2950899300	1626226200	2950899300
1626226200	Engine_oil_Genoil	1626226300	2950899300	1626226300	Engine_oil_Genoil
1626291503	1611701438	1626310800	1611701829	1626310800	1638846581
1626360700	1611701440	1626360700	1611701766	1626360700	1611701766
1626410200	1638606481	1626414500	1638846581	1626425600	1638846581
1626492101	1611701635	1626492101	1611701400	1626492101	1611701635
1626492101	1611701400	1626537307	1638846581	1626602900	1611745531
1626602900	1611700466	1626602900	1611744331	1626602900	1611744531
1626602900	1611744431	1626602900	1611744231	1626602900	1611744131
1626823701	1611702414	1626823800	1611702414	1626949700	1611745531
1626949700	1611745531	1626958300	1638116483	1626958300	1638590780
1626959000	1638116483	1626959000	1638590780	1626974001	1611702414
1626979500	1611701851	1626979600	1611701851	1626980802	1611726231
1626980802	1611726231	1630017500	2950899300	1630017500	Compressor_oil_Geno
1630024900	Compressor_oil_Geno	1630024900	2950899300	1630160008	1630160007
1638074000	2950899300	1638074000	Engine_oil_Genoil	1638075000	2950899300
1638075000	Engine_oil_Genoil	1638103000	1638186182	1638103000	1638186182
1638110701	1611702132	1638110701	1611702056	1638110802	1611701683
1638110901	1611701683	1638110901	1611702056	1638113702	1611701570
1638116383	1611701639	1638116483	1611701403_03	1638121308	1611701851
1638121680	1611701630	1638122201	1611701439	1638122403	1611701439
1638122600	1611701439	1638122700	1611701439	1638122802	1611701439
1638122901	1611701439	1638123200	1638606780	1638123302	1638606780
1638123481	1611701418	1638137401	1611701439	1638138603	1611701439
1638144800	1638590780	1638144800	1638116483	1638144901	1638116483
1638144901	1638590780	1638152200	1611702059	1638152200	1611701683
1638159101	1611701249	1638159400	1638213580	1638165281	1611701571
1638165281	1611701249	1638166301	1611701570	1638168001	1638846581
1638168901	1638522282	1638173200	1611701829	1638184300	1611731531
1638184300	1611734231	1638186182	1638846581	1638191601	1638846581
1638195302	1611701851	1638206601	1638846581	1638206701	1638846581
1638206801	1638846581	1638211800	1611702201	1638211800	1611701639
1638213580	1611720331_03W	1638214003	1611701438	1638219380	1611701424
1638227900	1638846581	1638228602	1611701316	1638246700	1638846581
1638246904	1611701830	1638247300	1611701830	1638249000	1611701252
1638249100	1611701631	1638249100	1611701635	1638249100	1611701632
1638249100	1611701628	1638249100	1611701628	1638249100	1611701632
1638249100	1611701631	1638249100	1611701635	1638249100	1611701633

Part no	Part no	Part no	Part no	Part no	Part no
1638249100	1611701633	1638252600	1638121680	1638252801	1611744231
1638252801	1611744531	1638252801	1611700466	1638252801	1611744331
1638252801	1611744131	1638252801	1611744431	1638252801	1611744131
1638252801	1611744231	1638252801	1611744431	1638252801	1611744531
1638252801	1611744331	1638252801	1611700466	1638259001	1611702173
1638259501	1638846581	1638264500	1611731131	1638266700	1611744131
1638266700	1611744331	1638266700	1611745531	1638266700	1611744531
1638268401	1611701438	1638269600	1611726231	1638278200	1611701829
1638286501	1611701424	1638293400	1611701440	1638295900	1611702181
1638296000	1638296380	1638296100	1638296380	1638296200	1638296380
1638296380	1611702181	1638298200	1611744431	1638298200	1611744331
1638298200	1611700466	1638307700	1611701248	1638307700	1611701413
1638307800	1611853014	1638307900	1638307980	1638308000	1638308080
1638308000	1611853514	1638308300	1638307980	1638308300	1638746380
1638308300	1611701248	1638308300	1638307780	1638308300	1611853014
1638308300	1638307880	1638308300	1611701413	1638308300	1611853514
1638308300	1638308080	1638308800	1611853014	1638308800	1638307880
1638308800	1638307980	1638308800	1638746380	1638308800	1611701248
1638308800	1611853514	1638308800	1611701413	1638308800	1638307780
1638308800	1638308080	1638308900	1638746380	1638308900	1638307980
1638308900	1611701248	1638308900	1611853514	1638308900	1611701413
1638308900	1638307880	1638308900	1638308080	1638308900	1611853014
1638308900	1638307780	1638313100	1638296380	1638313201	1611702181
1638313304	1611702181	1638313600	1611731131	1638313600	1611731131
1638313800	1611731131	1638314802	1611701852	1638315600	1638296380
1638315700	1611702181	1638315700	1638296380	1638315800	1638296380
1638315800	1611702181	1638316402	1611701852	1638319800	1611701747
1638329601	1611701438	1638332400	1611731131	1638339900	1638846581
1638343600	1638846581	1638344700	1611731131	1638368100	1611731331
1638370910	1611700404	1638386600	1611731331	1638387500	1611731331
1638398100	1611701852	1638398200	1611701852	1638400600	1611701396
1638400600	1611701633	1638400600	1611701632	1638401000	1611744331
1638401101	1611745531	1638401101	1611744531	1638401101	1611744131
1638401200	1611744431	1638401301	1611744231	1638401600	1611744431
1638401600	1611744331	1638401701	1611744231	1638401701	1611744531
1638401701	1611744131	1638401701	1611745531	1638413100	1611734931
1638418500	1611734931	1638430900	1611734931	1638431000	1611734931
1638437700	1611701683	1638437900	1611702201	1638439300	1611701424
1638439400	1611701424	1638503500	1611745531	1638503500	1611744531
1638513800	1611702059	1638513800	1611701683	1638513900	1611702054
1638514200	1611702464	1638520601	1611702201	1638520701	1611702201
1638520803	1611702201	1638522282	1611701828	1638524700	1611701611
1638524700	1611814531	1638524700	1611812431	1638530300	1611720331_03W
1638532501	1611701438	1638532600	1611702435	1638533600	1611701424
1638535000	1611701249	1638535000	1611701736	1638535000	1611701396
1638535000	1611701629	1638535000	1611701624	1638543201	1611701579
1638543301	1611701579	1638547700	1611701740	1638547700	1611701744
1638547700	1611701746	1638547700	1611701742	1638547700	1611701745
1638548300	1611701741	1638549400	1611701746	1638549400	1611701742
1638549400	1611701745	1638549400	1611701740	1638549400	1611701744
1638549600	1611701740	1638549600	1611701744	1638549600	1611701745
1638549700	1611701742	1638549700	1611701742	1638555302	1611701579
1638562100	1611816431	1638563703	1611701579	1638565202	1611701393
1638565202	1611701393	1638566800	1611701746	1638566900	1611701746
1638567000	1611701746	1638567100	1611701400	1638567600	1611816431
1638569900	1611701396	1638574500	1611701683	1638585100	1611701424
1638585200	1611701424	1638587501	1611700404	1638589401	1611701633
1638589401	1611701632	1638590500	1611701632	1638590780	1611701326
1638592500	1611701611	1638592500	1611814531	1638592600	1611812431
1638592803	1611701579	1638595500	1611701579	1638605403	1611701579
1638606481	1611701438	1638606500	1611701438	1638606780	1611701576
1638609600	1611700466	1638615500	1611700466	1638666810	1611701579

Part no	Part no	Part no	Part no	Part no	Part no
1638686350	1611701393	1638701600	1611701830	1638712606	1611701579
1638729180	1638606780	1638729700	1611701578	1638734300	1611701579
1638734400	1611701579	1638734501	1611701579	1638738101	1611701579
1638747900	1611701424	1638763701	1611702056	1638766800	1611701830
1638778501	1611701736	1638786800	1611701739	1638786900	1611701740
1638786900	1611701742	1638787100	1611701741	1638787100	1611701747
1638789000	1611701745	1638789000	1611701744	1638789100	1611701747
1638792000	1611701747	1638795400	1611772212	1638796400	1611701626
1638796400	1611701626	1638804700	1611701739	1638805200	1611701579
1638809101	1611701626	1638810400	1611701438	1638811100	1611701724
1638818600	1611701766	1638818600	1611701766	1638825202	1611701932
1638826601	1611702132	1638826601	1611702055	1638826701	1611702055
1638826801	1611702132	1638826801	1611702055	1638826901	1611702132
1638826901	1611702055	1638846300	1611701766	1638846300	1611701766
1638846581	1611701829	1638846680	1611701850	1638846780	1611701852
1638846780	1611701851	1638846780	1611702181	1638846800	1611701851
1638846800	1611701852	1638846800	1611701851	1638846800	1611701852
1638847082	1611701828	1638860900	1611726331	1638861200	1611702132
1638879400	1611701989	1638881800	1611700466	1638881900	1611744231
1638882000	1611744131	1638882000	1611744531	1638886200	1611700404
1638894100	1611701830	1638905500	1611702201	1638905700	1611734831
1638907601	1611734831	1638909400	1611702180	1638911500	1638886200
1638915180	1611702414	1638937303	1611702181	1649811333	1611701439
2911000065	2914900069	2911000065	2914900068	2911993200	1638606481
2912501500	2912501500	2912501500	2950899300	2912501500	2912501600
2912501600	2950899300	2912501600	2912501600	2914049300	2914900069
2914049300	2914900067	2914049300	2914900068	2914061300	2914900067
2914061500	2914900067	2914102601	2914900069	2914102601	2914900068
2914102602	2914900067	2914102603	2914900068	2914102603	2914900069
2914102607	2914900068	2914102607	2914900069	2914102608	2914900069
2914102608	2914900068	2914102801	2914900062	2914102801	2914900064
2914102802	2914900065	2914102802	2914900064	2914102802	2914900066
2914102803	2914900063	2914102803	2914900065	2914102803	2914900066
2914102804	2914900066	2914102804	2914900065	2914102804	2914900063
2914102807	2914900064	2914102807	2914900062	2914103000	2914900064
2914103001	2914900064	2914103003	2914900065	2914103003	2914900064
2914103003	2914900066	2914103003	2914900066	2914103003	2914900065
2914103004	2914900064	2914103004	2914900066	2914103004	2914900065
2914103010	2914900065	2914103010	2914900064	2914103010	2914900066
2914103011	2914900066	2914103011	2914900064	2914103011	2914900065
2914103015	2914900065	2914103015	2914900066	2914103015	2914900064
2914103016	2914900065	2914103016	2914900066	2914103016	2914900064
2914103017	2914900066	2914103017	2914900065	2914103017	2914900064
2914103018	2914900064	2914103018	2914900065	2914103018	2914900066
2914103019	2914900066	2914103019	2914900064	2914103019	2914900065
2914103020	2914900064	2914103020	2914900066	2914103020	2914900065
2914103021	2914900064	2914103021	2914900064	2914103021	2914900065
2914103021	2914900066	2914103022	2914900064	2914103022	2914900066
2914103022	2914900065	2914103403	2914900065	2914103403	2914900066
2914104000	2914900068	2914104000	2914900069	2914104100	2914900068
2914104100	2914900069	2914104200	2914900068	2914104200	2914900069
2914104300	2914900069	2914104300	2914900068	2914104400	2914900068
2914104400	2914900069	2914104500	2911000065	2914104600	2911000065
2914104700	2911000065	2914104800	2911000065	2914105000	2914900068
2914105000	2914900069	2914105100	2914900068	2914105100	2914900069
2914105200	2914900062	2914105300	2914900062	2914200003	2914900064
2914200003	2914900066	2914200003	2914900065	2914200004	2914900064
2914200005	2914900064	2914200006	2914900064	2914200007	2914900064
2914200008	2914900064	2914200009	2914900064	2914200010	2914900064
2914200011	2914900064	2914200012	2914900064	2914200013	2914900064
2914200014	2914900064	2914200014	2914900066	2914200014	2914900065
2914200015	2914900063	2914200016	2914900063	2914200016	2914900065

Part no	Part no	Part no	Part no	Part no	Part no
2914200016	2914900066	2914200017	2914900063	2914200017	2914900065
2914200017	2914900066	2914200018	2914900063	2914200019	2914900066
2914200019	2914900063	2914200020	2914900066	2914200020	2914900063
2914200020	2914900065	2914200021	2914900066	2914200021	2914900065
2914200022	2914900066	2914200022	2914900065	2914200023	2914900065
2914200023	2914900066	2914200024	2914900066	2914200024	2914900065
2914200025	2914900065	2914200025	2914900066	2914200026	2914900065
2914200026	2914900066	2914200027	2914900065	2914257700	2914900066
2914257700	2914900064	2914257700	2914900065	2914257700	2914900065
2914257700	2914900066	2914257800	2914900065	2914257800	2914900066
2914257800	2914900062	2914257800	2914900065	2914257800	2914900064
2914257800	2914900066	2914257800	2914900069	2914257800	2914900068
3315019508	1611701828	6211472200	1611702414	6221372500	1611702414
8102265314	1611701633	8102265314	1611701632	8102265330	1611701633
9000030200	1611701324	9000030200	1611734331	9106181545	1611701570
9125718100	1611814531				

Go to Discount-Equipment.com to order your parts



[www.discount-equipment.com](http://www.discount-equipment.com)



# PARTS FINDER

**Search Website  
by Part Number**



**Search Manual  
Library For Parts  
Manual & Lookup Part  
Numbers – Purchase  
or Request Quote**

**Search Manuals**

Enter your information to help us find the right parts manual for your machine.

\* Brand:

\* Model:

\* Serial:

\* Part Number:

SEARCH

**Can't Find Part or  
Manual? Request Help  
by Manufacturer,  
Model & Description**

**Parts Order Form**

Please fill in the following information to help us find the right part for your machine.

MANUFACTURER:

MODEL:

DESCRIPTION:

DATE:

TIME:

PHONE:

EMAIL:

ADDRESS:

CITY:

STATE:

ZIP:

NAME:

COMPANY:

PHONE:

EMAIL:

REQUEST FOR QUOTE

Discount-Equipment.com is your online resource for quality parts & equipment.

Florida: **561-964-4949** Outside Florida TOLL FREE: **877-690-3101**

**Need parts?**

Click on this link: <http://www.discount-equipment.com/category/5443-parts/> and choose one of the options to help get the right parts and equipment you are looking for. Please have the machine model and serial number available in order to help us get you the correct parts. If you don't find the part on the website or on one of the online manuals, please fill out the request form and one of our experienced staff members will get back to you with a quote for the right part that your machine needs.

We sell worldwide for the brands: Genie, Terex, JLG, MultiQuip, Mikasa, Essick, Whiteman, Mayco, Toro Stone, Diamond Products, Generac Magnum, Airman, Haulotte, Barreto, Power Blanket, Nifty Lift, Atlas Copco, Chicago Pneumatic, Allmand, Miller Curber, Skyjack, Lull, Skytrak, Tsurumi, Husquvarna Target, Stow, Wacker, Sakai, Mi-T-M, Sullair, Basic, Dynapac, MBW, Weber, Bartell, Bennar Newman, Haulotte, Ditch Runner, Menegotti, Morrison, Contec, Buddy, Crown, Edco, Wyco, Bomag, Laymor, EZ Trench, Bil-Jax, F.S. Curtis, Gehl Pavers, Heli, Honda, ICS/PowerGrit, IHI, Partner, Imer, Clipper, MMD, Koshin, Rice, CH&E, General Equipment, Amida, Coleman, NAC, Gradall, Square Shooter, Kent, Stanley, Tamco, Toku, Hatz, Kohler, Robin, Wisconsin, Northrock, Oztec, Toker TK, Rol-Air, APT, Wylie, Ingersoll Rand / Doosan, Innovatech, Con X, Ammann, Mecalac, Makinex, Smith Surface Prep, Small Line, Wanco, Yanmar