

Specifications

OPERATING PERFORMANCE

Operating Weight	12,677 lb (5,750 kg)
Standard Machine with Bucket, Cab	
Tipping Load, Straight	9,420 lb (4,273 kg)
Tipping Load, Full Turn	8,294 lb (3,762 kg)
Rated Operating Capacity, SAE J818*	4,147 lb (1,881 kg)
Bucket Breakout Force	15,287 lb (6,934 kg)
Lift Arm Breakout Force	13,567 lb (6,154 kg)
Traction Force	11,802 lb (5,354 kg)
Cycle Time	
Raise Full Load	6.0 Seconds
Lower No Load	3.8 Seconds
Dump Full Load	1.2 Seconds

*Operating capacity is 50% of full turn tipping load with bucket according to SAE J818

ENGINE

Make/Model	Deutz/TD2011 Tubro
Tier Rating	Tier 3
Cylinders/Displacement	4/221 cu in (3.62 L)
Horsepower Gross (SAE J1995)	80 hp (59.5 Kw)
Horsepower Net (SAE J1349)	76 hp (57.1 Kw)
Rated Engine Speed	2600 rpm
Maximum Torque	177 ft-lb @ 1600 rpm (240 Nm)
Engine Lubrication	11.6 qt (11 L)
Fuel Tank Capacity	26.4 gal (100 L)
Fuel Consumption (65% of Full Load)	2.9 gal/hr (11.0 L/hr)
Electrical System	12 volts/80 amps

DRIVE TRAIN

Transmission Type	Hydrostatic Drive with 100% Hydraulic Inching Pedal
Axle Type	Rigid Axles with Outboard Planetary Reduction
Differential Lock	100% Differential Lock in Front and Rear Axles
Parking Brake	Spring Applied, Hydraulically Released, Multiple Wet Friction Disc
Service Brakes	Hydrostatic and Multi Wet Friction Disc
Steering Articulation	40° Left / 40° Right
Frame Articulation	12° Left / 12° Right
Maximum Travel Speed	
Low	4 mph (6.5 km/hr)
High	12.4 mph (20 km/hr)

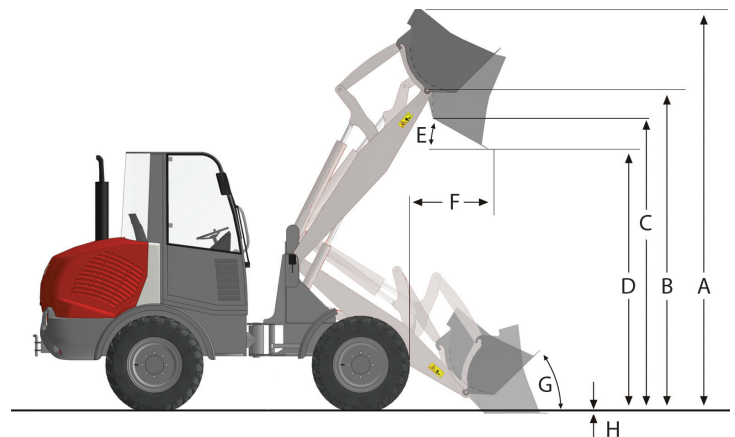
HYDRAULIC SYSTEM

Hydraulic Reservoir Capacity	19.8 gal (75 L)
Auxiliary Hydraulic Flow	18.5 gal/min (70 L/min)
System Operating Pressure	4,061 psi (28.0 mpa)



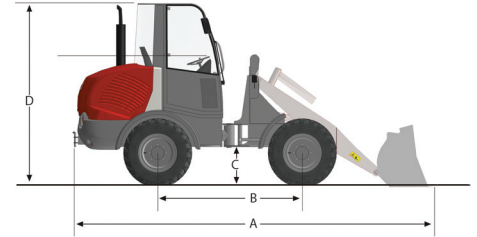
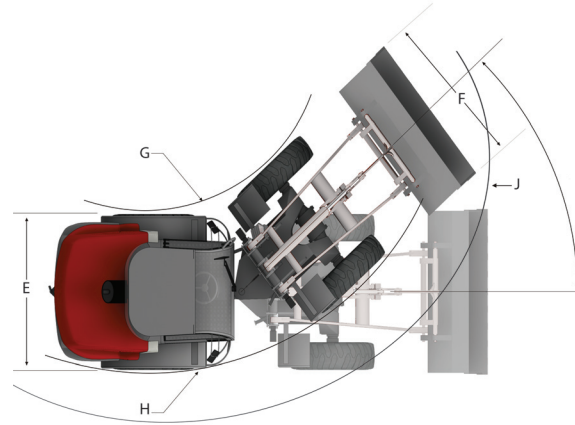
WORKING DIMENSIONS

A. Overall Operating Height	13 ft 10 in (4,220 mm)
B. Maximum Lift Height to Bucket Pin	11 ft 1 in (3,380 mm)
C. Bucket Clearance Height	9 ft 11 in (3,025 mm)
D. Dump Height Fully Raised	8 ft 6 in (2,605 mm)
E. Maximum Dump Angle Fully Raised	45°
F. Reach Fully Raised	2 ft 5 in (740 mm)
G. Maximum Bucket Rollback at Ground	48°
H. Maximum Cut	3.15 in (80 mm)



MACHINE DIMENSIONS

A. Overall Length with Bucket	18 ft 3 in [5,580 mm]
B. Wheelbase	7 ft 2 in [2,180 mm]
C. Ground Clearance	1 ft 6 in [460 mm]
D. Overall Height	8 ft 10 in [2,685 mm]
E. Overall Width without Bucket	6 ft 9 in [2,050 mm]
F. Recommended Bucket Width	81.5 in [2,070 mm]
G. Inside Turning Radius	6 ft 3 in [1,898 mm]
H. Outside Turning Radius	13 ft 3 in [4,046 mm]
J. Turning Radius Bucket Edge	14 ft 8 in [4,478 mm]



◆ - Standard

○ - Optional

Product Features

ENGINE

- ◆ EPA Tier 3 Compliant
- ◆ Oil Cooled
- ◆ Turbocharged
- ◆ Dual Element Air Cleaner with Restriction Indicator
- ◆ High Capacity Engine Oil Cooler

ELECTRICAL

- ◆ Electronic Engine Monitoring System with Fuel Gauge, High Beam Indicator, Turn Signal Indicators, High Speed Indicator
- ◆ 12 volt System with 80 amp Alternator
- ◆ Work Lights, Front and Rear
- ◆ Driving Lights and Turn Signals
- ◆ Directional Lights Fwd/Rev
- ◆ Engine Preheat
- ◆ Back-Up Alarm

DRIVE TRAIN

- ◆ Hydrostatic Drive with 100% Inching Pedal
- ◆ 100% Locking Differentials, Front and Rear
- ◆ Outboard Planetary Drives
- ◆ Two Speed Travel
- ◆ Spring Applied Parking Brake
- ◆ Multi Wet Disc Brake
- Heavy Duty Construction Tire Assembly
- Floatation Tire Assembly

HYDRAULIC

- ◆ Precise and Responsive Pilot Controls
- ◆ Auxiliary Hydraulic Lines Plumbed to the End of the Loader Arms
- ◆ Auxiliary Hydraulic Detent
- ◆ Hydraulic System Test Ports
- ◆ Hydraulic Oil Level Sight Gauge
- ◆ Remote Mounted Hydraulic Oil Cooler

WORKING EQUIPMENT

- ◆ Z-Bar Linkage Provides Excellent Loader Performance
- ◆ Powerful Bucket and Lift Arm Breakout Forces Equal Outstanding Productivity
- ◆ Bucket Float Function
- ◆ Mechanical Bucket Positioning
- ◆ Heavy Duty Hydraulic Bucket Quick Coupler
- ◆ Heavy Duty Self Aligning Loader Bushings with Oversized Pins
- 81.5" GP Combo Bucket (1.30 yd³)
- Combo Hitch to Universal SSL Adaptor
- HD 48" Pallet Forks and Frame
- Flat Face Hydraulic Coupler Kit

OPERATOR'S STATION

- ◆ Spacious Operator's Cab Provides ISO Certified ROPS/FOPS Level 2 Protection for Added Peace of Mind
- ◆ 2 in Retractable Seat Belt
- ◆ Suspension Seat with Arm Rests
- ◆ Front and Rear Wipers, Rear Window Defrost, and Heater
- ◆ Large Steps and Grab Handles Provide Easy Entry and Exit
- ◆ Elevated Operator's Station Provides Outstanding Visibility
- ◆ Multi-Function Joystick for Machine Direction Fwd/Rev and Loader Controls: Raise, Lower, Curl, Dump
- Air Conditioner
- 3 in Seat Belt