

Instruction for use of parts catalogue

- **This parts catalogue was prepared based on the latest information available as of October 01, 2007.**
- See the parts catalogue news for any revision that is made after October 01, 2007.
- **Always specify the part number when ordering a part.**
- Check the model, type, serial numbers, color, maker, and the size as needed before ordering a part.
- Note that the illustrations (part drawings) can differ from the actual parts in shape. They are given just to help you to refer to the parts.
- **When modifications or additions to this parts catalogue are made, a revised edition will be issued at an appropriate time, with successively progressing revision numbers on the cover. We recommend obtaining such revisions in order to keep your parts catalogue up-to-date at all times. To check whether a parts catalogue revision has been issued, please contact your Honda distributor.**

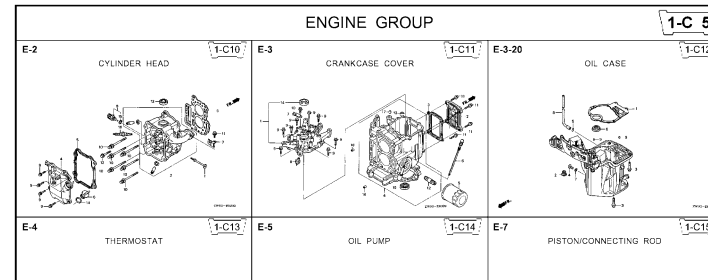
Initial version issue date **October 10, 2003**
Honda Motor Co., Ltd.

CONTENTS

	Page	Address No.
● Instruction for use of parts catalogue	1	B 1
● How to refer to the part information	2	B 2
● Part catalogue structure	3	B 3
● When the parts were revised.....	4	B 4
● Abbreviations used in the parts catalogue.....	4	B 4
● How to check the part block and serial numbers	5	B 5
● Models, parts catalogue codes and applicable serial numbers	6	B 6
● Features of each type.....	10	B10
● Fuel hose, general purpose hoses and vinyl hose	23	C 7
● FLAT RATE SERVICE TIME	24	C 8

How to refer to the part information

A Reference with "Illustrated index"



B Reference with "Part number index"

PART NO. INDEX					
Part Number	Address	Page	Rel.	Part Number	Address Page
06000				15212-ZW9-000	1-C14 3C
06316-ZW9-000	1-69	88	1	15220-ZW9-003	1-C14 3C
11000				15332-ZW9-000	1-E8 55
11300-ZW9-405	1-C11	27	1	15332-ZW9-A30	1-E11 5E
11300-ZW9-406	1-C11	27	1	15400-PFB-004	1-C11 27
11340-ZW9-000	1-C11	27	2	15422-ZW9-000	1-C14 3C
11342-ZW9-000	1-C11	27	3	15473-881-000	1-C14 3C
11381-ZW9-003	1-C12	28	1	15474-ZW9-000	1-C14 3C
				15611-921-000	1-C10 2E
				15655-ZW9-000	1-C11 27
				16000	
12000				16010-ZV4-005	1-D4 3E
12000-ZW9-405ZA	1-C11	27	4	16011-ZV4-005	1-D4 3E
12155-ZV4-A00	1-C13	29	1	16013-ZW9-003	1-D4 3E
12166-ZW9-000	1-C10	26	1	16016-ZW9-003	1-D4 3E
12209-GB4-681	1-C16	32	1	16016-ZW9-721	1-D4 3E
12210-ZW9-405ZA	1-C10	26	2	16023-ZW9-003	1-D4 3E
12216-ZE2-300	1-E8	55	1	16024-ZV4-650	1-D4 3E
	1-E11	58	1	16028-ZV4-650	1-D4 3E

C Reference with "Part name index"

PART NAME INDEX					
Part name	Address	Page	Ref.		
[A]				BOLT,	
ABSORBER , FUEL	1-E15	62	5	BOLT,	
ARMATURE COMP.	1-D11	43	7	BOLT,	
ARM COMP. , LINK JOINT	1-G6	85	18	BOLT,	
ARM COMP. , SHIFT LINK	1-G6	85	14	BOLT,	
ARM COMP. , TILT	1-F15	79	20		
ARM , FUEL PUMP ROCKER	1-C16	32	4		
ARM , REVERSE LOCK	1-F15	79	18		
ARM , SHIFT LINK	1-F11	74	7		
ARM , STOPPER	1-D1	33	12	BOLT,	
ARM , THROTTLE REMOTE	1-F11	74	6		
ARM , VALVE ROCKER	1-C16	32	3		
[B]					
BAG , TOOL , 160MM	1-G5	84	10		
BAND	1-G6	86	37		
BAND B1 , WIRE	1-F6	69	1		
BAND , CORD	1-F3	67	18	BOLT,	
BAND , TUBE CLIP , 11MM	1-E15	63	20		
BAND , TUBE CLIP , 12.5MM	1-E15	63	19	BOLT,	

E-2

CYLINDER HEAD

Address No. 1-C10

Block No.

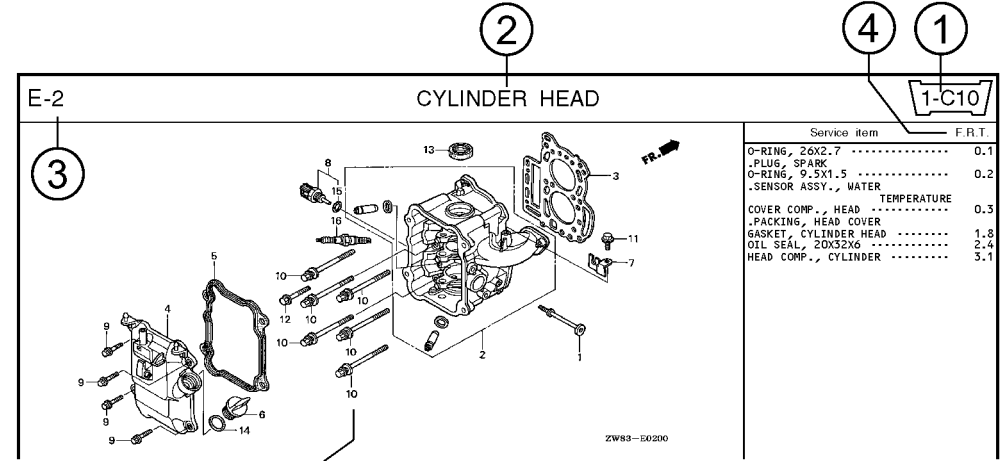
Ref No.

Ref. No.	Part No.	Description	Reqd. QTY						Serial No.	Parts catalogue code
			99D1	99D1	10D1	10D1	10B1	10B1		
1	12166-ZW9-000	STOPPER, ENGINE SIDE	2	2	2	2	2	2		
2	12210-ZW9-000ZA	HEAD COMP., CYLINDER	1	1	1	1	1	1		
3	12251-ZW9-003	GASKET, CYLINDER HEAD	1	1	1	1	1	1		
4	12310-ZW9-000	COVER COMP., HEAD	1	1	1	1	1	1		
5	12312-ZW9-000	PACKING, HEAD COVER	1	1	1	1	1	1		
6	15611-921-000	CAP, OIL (NO GAUGE)	1	1	1	1	1	1		
7	16617-ZW9-000	HOLDER, CABLE	1	1	1	1	1	1	SC,SG	
	16617-ZW9-010		1	1	1	1	1	1	1001800 LHC,LHD	
			1	1	1	1	1	1	1001801 LHC,LHD	
8	35673-ZW5-003	SENSOR ASSY., WATER	1	1	1	1	1	1		
9	90003-ZW9-000	BOLT, FLANGE, 6X22	4	4	4	4	4	4		
10	90007-ZW9-003	BOLT, FLANGE, 8X83	6	6	6	6	6	6		
11	90011-ZW9-000	BOLT, FLANGE, 6X14(CT200)	1	1	1	1	1	1		
12	90020-ZW9-000	BOLT, FLANGE, 8X40	2	2	2	2	2	2		
13	91202-KJ9-003	OIL SEAL, 20X32X6	1	1	1	1	1	1		
14	91301-805-000	O-RING, 26X2.7	1	1	1	1	1	1		
15	91307-PK2-005	O-RING, 9.5X1.5(HONDA KIKAKI)	1	1	1	1	1	1		
16	98059-55916	PLUG, SPARK (CR5EH-9)	2	2	2	2	2	2		
	98059-55926	PLUG, SPARK (U16FER9)	2	2	2	2	2	2		

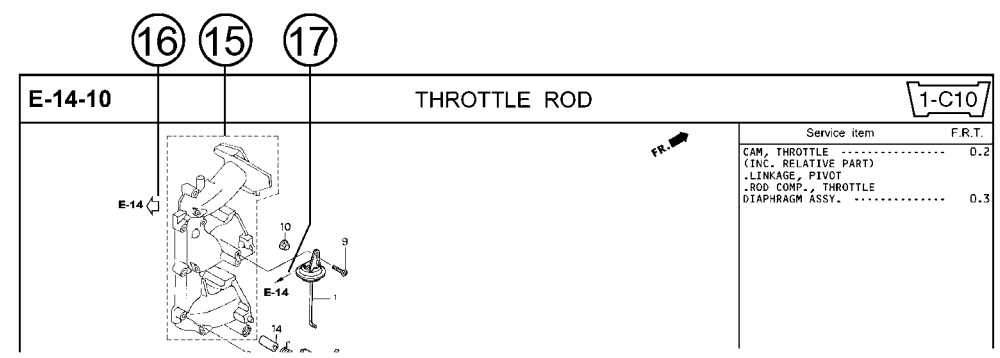
2000.09.20 E

Page No.

Part catalogue structure

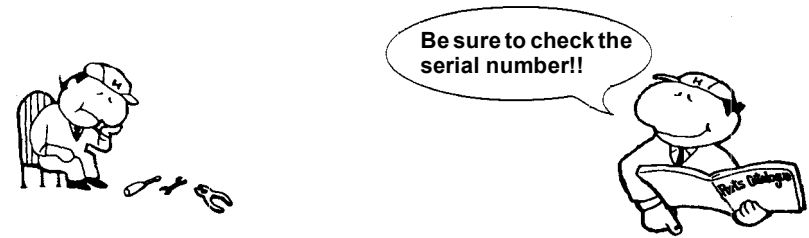


Ref. No.	Part No.	Description	Reqd. QTY						Serial No.	Parts catalogue code
			BF 9.9D1	BFP 9.9D1	BF 10D1	BFP 10D1	BF 10B1	BFP 10B1		
1	12166-ZW9-000	STOPPER, ENGINE SIDE	2	2	2	2	2			
2	12210-ZW9-000ZA	HEAD COMP., CYLINDER *NH8*	1	1	1	1	1			
3	12251-ZW9-003	GASKET, CYLINDER HEAD	1	1	1	1	1			
4	12310-ZW9-000	COVER COMP., HEAD	1	1	1	1	1			
5	12312-ZW9-000	PACKING, HEAD COVER	1	1	1	1	1			
6	15611-921-000	CAP., OIL (NO GAUGE)	1	1	1	1	1			
7	16617-ZW9-000 16617-ZW9-010	HOLDER, CABLE	1	1	1	1	1	----- SC,S6 1001800 LHC,LHD		



- ① **Address number**
 - Address No. is provided (in place of the page No.) to help you refer to the part with the part No. or part name.
- ② **Block title** ③ **Block number**
- ④ **Service item/Flat rate time**
- ⑤ **Reference number**
 - Title number marked with the parenthesis or parentheses indicates that it continues from the previous page.
- ⑥ **Part number** ⑦ **Honda color code**
- ⑧ **Description**
- ⑨ **Assemblies**
 - Sections framed with broken lines in the exploded view drawings are available as complete assemblies. (Their individual parts can also be obtained.)
- ⑩ **Color description**
- ⑪ **Note**
 - Notes are shown with the parentheses in the part name column.
- ⑫ **Required quantity**
 - Required QTY shown in the parenthesis or parentheses indicates the optional part.
 - Required QTY marked with "N" Indicates the optional part that should be selected as needed.
 - Required QTY indicates the number of the part used in the block.
- ⑬ **Serial number**
- ⑭ **Type**
 - When the type column is blank, it indicates that the part is applicable to all types.
 - As the type of the actual unit may differ from the "parts catalogue, type" please refer to "Models, types and applicable serial numbers" for confirmation.
- ⑮ **[Dotted line]**
 - Parts enclosed within a dotted line [] are covered in a different block.
- ⑯ **[Hollow arrow]**
 - A hollow arrow [] indicates the block No. for the parts enclosed within a dotted line [] .
- ⑰ **[Solid arrow]**
 - A solid arrow [] indicates the block No. the part in question is connected to.

When the parts were revised



Ref. No.	Part No.	Description	Reqd. QTY						Serial No.
			BF 99D1	BFP 9.9D1	BF 10D1	BFP 10D1	BF 10B1	BFP 10B1	
1	12166-ZW9-000	STOPPER, ENGINE SIDE	2	2	2	2	2	2	
2	12210-ZW9-000ZA	HEAD COMP., CYLINDER *NH8*.....DARK GRAY	1	1	1	1	1	1	
3	12251-ZW9-003	GASKET, CYLINDER HEAD	1	1	1	1	1	1	
4	12310-ZW9-000	COVER COMP., HEAD	1	1	1	1	1	1	
5	12312-ZW9-000	PACKING, HEAD COVER	1	1	1	1	1	1	
6	15611-921-000	CAP, OIL (NO GAUGE)	1	1	1	1	1	1	
7	16617-ZW9-000	HOLDER, CABLE (###).....	1	1	1	1	1	1	
	16617-ZW9-010	1	1	1	1	1	1	

The number has been used from the initial model without revision.

When shown at the left side, it is applicable to the models of No.1001801 and the subsequent numbers.

When shown at the right side, it is applicable to the models up to No.1001800.

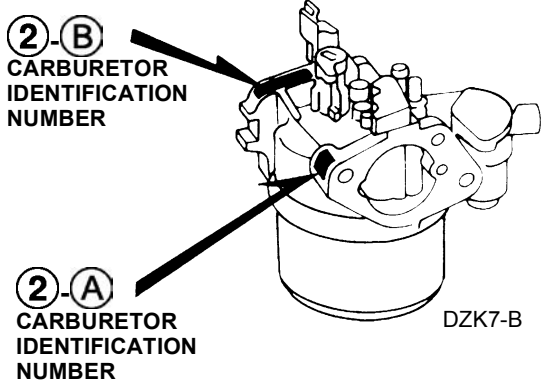
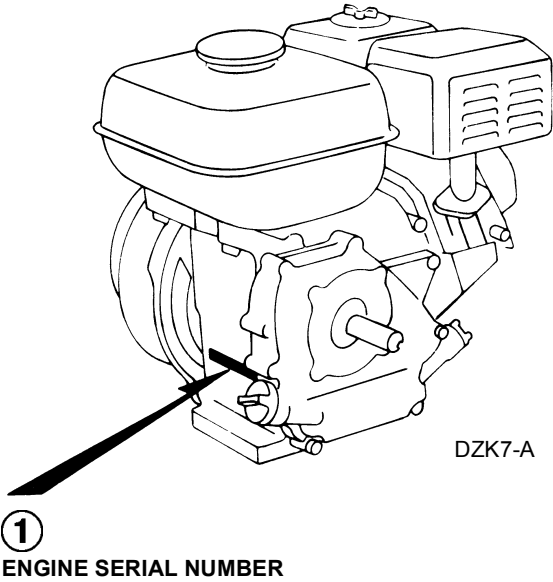
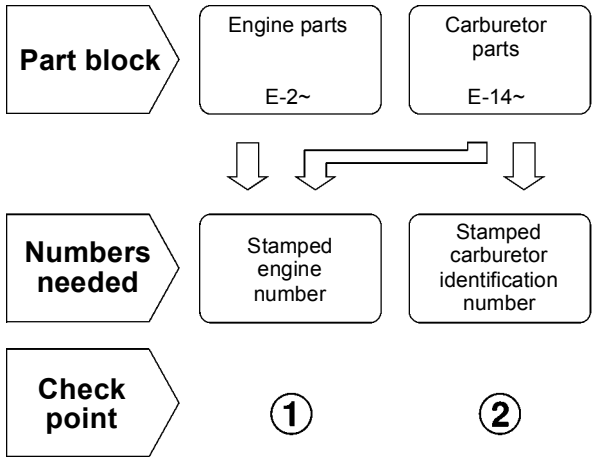
• The parts listed with "###" at the end of the parts name have limited supply period (parts not for sale).

Abbreviations used in the parts catalogue

• The following abbreviations are used in the parts name column.

- A Ampere
- A.C. Alternating current
- ASSY. Assembly
- AT. Automatic transmission
- C.D.I. Capacitive discharge ignition
- COMP. ... Complete
- D.C. Direct current
- EX. Exhaust
- G.F.C.I ... Ground fault circuit interruptor
- HEX. Hexagonal
- H.S.T. Hydrostatic transmission
- FR.Front
- IN.Inlet
- L (100L) .Link (100 Links)
- L.Left
- MMMillimeter
- MT.Manual Transmission
- P.T.O.Power take off
- R.Right
- RR.Rear
- STD.Standard
- T (22T) ...Tooth (22 Teeth)
- VVolt
- WWatt

How to check the part block and serial numbers



Models, parts catalogue codes and applicable serial numbers

- Models, parts catalogue codes and applicable serial Nos. given in this parts catalogue can be identified as follows.

Model	Type	Parts catalogue type	Applicable engine serial No.	Applicable carburetor identification No.	Model	Type	Parts catalogue type	Applicable engine serial No.	Applicable carburetor identification No.
GX120K1 (1)	AR	AR	GC01-4300001~ 9099999	BE62C A	GX120K1 (1)	KRT4	KRT4	GC01-4300001~ 9099999	BE62C A
	ARL	ARL	GC01-4300001~			KRT6	KRT6	GC01-4300001~	BE62A A
	DKR	DKR	GC01-4300001~ 9099999			LAJ	LAJ		BE60C B
	DS	DS	GC01-4300001~	LAJ4		LAJ4	GC01-4300001~ 9099999	BE60B B	
	HHQ4	HHQ4	GC01-4300001~ 9099999	LD		LD		BE61D B	
	HTF2	HTF2		LH		LH	GC01-4300001~	BE60B B	
	HT2	HT2		LHQ4		LHQ4			GC01-4300001~ 9099999
	HT24	HT24		LJ		LJ	GC01-4300001~	BE60C B	
	HX	HX	GC01-4300001~	LJC		LJC		BE60L A	
	HXU	HXU	GC01-4300001~ 9099999	LJC8		LJC8			GC01-4300001~
	HX2	HX2		LJD2		LJD2	GC01-4300001~ 9099999	BE60B B	
	HX26	HX26		LJS		LJS	GC01-4300001~	BE60C B	
	HX4	HX4		LSJ		LSJ	GC01-4300001~ 9099999		
	KR	KR	GC01-4300001~	LSJ4		LSJ4		BE61D B	
	KRA4	KRA4	GC01-4300001~ 9099999	LTJ		LTJ	GC01-4300001~	BE60B B	
	KRF4	KRF4		BE62A A, BE62C A		LTK1		LTK1	BE60L A
	KRS4	KRS4		BE62C A		LTR		LTR	BE60C B
	KRS5	KRS5				LTS	LTS	BE60B B	
	KRS6	KRS6				LX	LX		
	KRT	KRT				GC01-4300001~	LXU		LXU

Model	Type	Parts catalogue type	Applicable engine serial No.	Applicable carburetor identification No.
GX120K1 (1)	LX2	LX2	GC01-4300001~ 9099999	BE60B B
	LX4	LX4		
	PX	PX	GC01-4300001~	
	PX2	PX2	GC01-4300001~ 9099999	BE12C B
	QA	QA		BE60C B
	QA2	QA2		
	QB26	QB26	GC01-4300001~	BE60M A
	QD	QD	GC01-4300001~ 9099999	BE61D B
	QH	QH	GC01-4300001~	BE60B B
	QHQ4	QHQ4	GC01-4300001~ 9099999	
	QH26	QH26		
	QJG2	QJG2		
	QLL	QLL		BE12A C, BE60B B
	QM	QM	GC01-4300001~	BE12B C
	QMA4	QMA4	GC01-4300001~ 9099999	BE60B B
	QMA8	QMA8		BE60L A, BE60C B
	QME4	QME4		BE60B B
	QMX2	QMX2		BE60L A
	QT	QT		BE60B B
	QWA4	QWA4		

Model	Type	Parts catalogue type	Applicable engine serial No.	Applicable carburetor identification No.
GX120K1 (1)	QX	QX	GC01-4300001~	BE60B B
	QXC9	QXC9	GC01-4300001~ 9099999	BE60F B
	QXS2	QXS2		BE60B B
	QXU	QXU		
	QX2	QX2		
	QX26	QX26		
	QX4	QX4		
	QX7	QX7		
	RD	RD		BE61D B
	RD4	RD4		BE12A C, BE60B B
	RHC	RHC		
	RHQ4	RHQ4	BE60B B	
	RX	RX		GC01-4300001~
	RX4	RX4	GC01-4300001~ 9099999	BE60C B
	SAJ	SAJ	GC01-4300001~	BE60B B
	SAJ4	SAJ4	GC01-4300001~ 9099999	BE60C B
	SAR4	SAR4		
	SCJ	SCJ	GC01-4300001~	BE61D B
	SD	SD		
	SD16	SD16	GC01-4300001~ 9099999	

Model	Type	Parts catalogue type	Applicable engine serial No.	Applicable carburetor identification No.
GX120K1 (1)	SD4	SD4	GC01-4300001~ 9099999	BE61D B
	SE	SE		BE61G A
	SG24	SG24		BE60B B
	SH	SH		
	SHQ4	SHQ4		
	SJ	SJ		
	SJC1	SJC1	GC01-4300001~	BE60C B
	SJC5	SJC5		
	SJD2	SJD2	GC01-4300001~ 9099999	BE60B B
	SKR	SKR	GC01-4300001~	BE60C B
	SMA7	SMA7	GC01-4300001~ 9099999	BE60B B
	SMJ	SMJ	GC01-4300001~	
	SMW2	SMW2	GC01-4300001~ 9099999	
	SM11	SM11	GC01-4300001~	
	SM12	SM12	GC01-4300001~ 9099999	
	SM14	SM14		
	SSK1	SSK1	GC01-4300001~	
	SSK3	SSK3		
	SSX2	SSX2	GC01-4300001~ 9099999	
	SSX4	SSX4		

Model	Type	Parts catalogue type	Applicable engine serial No.	Applicable carburetor identification No.
GX120K1 (1)	STP	STP	GC01-4300001~	BE12A C
	STS	STS		BE13A B
	SWX2	SWX2	GC01-4300001~ 9099999	BE60B B
	SWX4	SWX4		
	SX	SX	GC01-4300001~	
	SXS4	SXS4	GC01-4300001~ 9099999	
	SX4	SX4		
	SX7	SX7		
	SYA	SYA	GC01-4300001~	BE60S A/B
	TX	TX	GC01-4300001~ 9099999	BE60B B
	TX2	TX2		
	TX26	TX26		
	TX4	TX4		
	UXU	UXU		
	VED	VED	GC01-4300001~	BE60C B
	VED1	VED1	GC01-4300001~ 9099999	
	VED6	VED6		
	VEE1	VEE1	GC01-4300001~	BE60B B
	VEK	VEK		GC01-4300001~
	VET	VET	GC01-4300001~ 9099999	BE60C B

Model	Type	Parts catalogue type	Applicable engine serial No.	Applicable carburetor identification No.
GX120K1 (1)	VEX	VEX	GC01-4300001~ 9099999	BE60B B
	VEX7	VEX7		
	VMS4	VMS4		
	VMT	VMT	GC01-4300001~	BE28B A
	VPM4	VPM4	GC01-4300001~ 9099999	BE62E A
	VPR4	VPR4		BE28B A
	VSX	VSX	GC01-4300001~	BE12A C
	VSX1	VSX1		
	VX	VX	GC01-4300001~ 9099999	BE60B B
	VXU	VXU		
	VX4	VX4		
	VX7	VX7		
	WDA6	WDA6		
	WD12	WD12		
	WJ	WJ	GC01-4300001~	BE60C B
	WJP	WJP	GC01-4300001~ 9099999	
	WKD6	WKD6		
WKT2	WKT2			
WKT4	WKT4			
WKT6	WKT6			

Model	Type	Parts catalogue type	Applicable engine serial No.	Applicable carburetor identification No.
GX120K1 (1)	WMA3	WMA3	GC01-4300001~ 9099999	BE61D B
	WMA4	WMA4	GC01-4300001~	
	WME2	WME2	GC01-4300001~ 9099999	BE60C B
	WME4	WME4		
	WMK	WMK	GC01-4300001~	BE61D B
	WM1	WM1	GC01-4300001~ 9099999	
GX120K1 (2)	H1	H1	GC01-4300001~	BE12B C, BE13A B BE12A C, BE12C B
	L1	L1		
	Q1	Q1		
	R1	R1		
	S1	S1		
	W1	W1		
GX120K1 (3) (Indonesia-KD)	SIH	SIH	GC01-9100001~	BE12A A/B/C BE60L A
	WIH	WIH		
	WIS	WIS		BE60L A
GX120K1 (4) (Brazil-KD)	QDBR	QDBR	GC01B-1000001~ 9999999	BE61D B
	QXBR	QXBR		BE60B B
	TXBR	TXBR		
	VXBR	VXBR		

* Of carburetor identification numbers, only the portions underlined in the example below are used for registration.

BE 62C A KC ナ
 (A) (B)

Features of each type

- See the following table for the features of each type. (Items in brackets are optional)

1

Specifications		Model	GX120K1												
		Type	Standard equipment (1)												
		AR	ARL	DKR	DS	HHQ4	HTF2	HT2	HT24	HX	HXU	HX2	HX26	HX4	
Crankshaft	18mm Ø Straight														
	19.05mm Ø Straight														
	20mm Ø Spline	●	●	●	●										
	21mm Ø Spline					●	●	●	●	●	●	●	●	●	
	19.8mm Ø Tapered														
	22mm Ø Tapered														
	3/4" Thread														
	5/8" Thread														
	M14 Stepped thread														
	M16 Stepped thread														
1/2" Stepped thread															
Reduction		●	●	●	●	●	●	●	●	●	●	●	●	●	
Fuel tank					●	●	●	●	●	●	●	●	●	●	
Oil alert							●			●	●	●	●	●	
Lamp coil															

Specifications		Model	GX120K1											
		Type	Standard equipment (1)											
			KR	KRA4	KRF4	KRS4	KRS5	KRS6	KRT	KRT4	KRT6	LAJ	LAJ4	LD
Crankshaft	18mm Ø Straight													
	19.05mm Ø Straight													
	20mm Ø Spline	●	●	●	●	●	●	●	●	●	●	●	●	●
	21mm Ø Spline													
	19.8mm Ø Tapered													
	22mm Ø Tapered													
	3/4" Thread													
	5/8" Thread													
	M14 Stepped thread													
	M16 Stepped thread													
	1/2" Stepped thread													
Reduction		●	●	●	●	●	●	●	●	●	●	●	●	●
Fuel tank											●	●	●	●
Oil alert														
Lamp coil											●	●		

		Model	GX120K1											
		Type	Standard equipment (1)											
Specifications		LHQ4	LJ	LJC	LJC8	LJD2	LJS	LSJ	LSJ4	LTJ	LTK1	LTR	LTS	LX
Crankshaft	18mm Ø Straight													
	19.05mm Ø Straight													
	20mm Ø Spline	●	●	●	●	●	●	●	●	●	●	●	●	●
	21mm Ø Spline													
	19.8mm Ø Tapered													
	22mm Ø Tapered													
	3/4" Thread													
	5/8" Thread													
	M14 Stepped thread													
	M16 Stepped thread													
1/2" Stepped thread														
Reduction		●	●	●	●	●	●	●	●	●	●	●	●	●
Fuel tank		●	●	●	●	●	●	●	●	●	●	●	●	●
Oil alert				●	●									●
Lamp coil							●							

Specifications		Model	GX120K1											
		Type	Standard equipment (1)											
			LXU	LX2	LX4	PX	PX2	QA	QA2	QB26	QD	QH	QH4	QH26
Crankshaft	18mm Ø Straight													
	19.05mm Ø Straight						●	●	●	●	●	●	●	●
	20mm Ø Spline	●	●	●										
	21mm Ø Spline													
	19.8mm Ø Tapered													
	22mm Ø Tapered													
	3/4" Thread				●	●								
	5/8" Thread													
	M14 Stepped thread													
	M16 Stepped thread													
1/2" Stepped thread														
Reduction		●	●	●										
Fuel tank		●	●	●	●	●	●	●		●	●	●	●	●
Oil alert		●	●	●	●	●								
Lamp coil									●					●

Specifications		Model	GX120K1												
		Type	Standard equipment (1)												
		QLL	QM	QMA4	QMA8	QME4	QMX2	QT	QWA4	QX	QXC9	QXS2	QXU	QX2	
Crankshaft	18mm Ø Straight														
	19.05mm Ø Straight	●	●	●	●	●	●	●	●	●	●	●	●	●	
	20mm Ø Spline														
	21mm Ø Spline														
	19.8mm Ø Tapered														
	22mm Ø Tapered														
	3/4" Thread														
	5/8" Thread														
	M14 Stepped thread														
	M16 Stepped thread														
	1/2" Stepped thread														
Reduction															
Fuel tank		●	●	●	●	●	●	●	●	●	●	●	●	●	
Oil alert		●			●		●		●	●	●	●	●	●	
Lamp coil												●			

Specifications		Model	GX120K1											
		Type	Standard equipment (1)											
			QX26	QX4	QX7	RD	RD4	RHC	RHQ4	RX	RX4	SAJ	SAJ4	SAR4
Crankshaft	18mm Ø Straight				●	●	●	●	●	●	●	●	●	●
	19.05mm Ø Straight	●	●	●										
	20mm Ø Spline													
	21mm Ø Spline													
	19.8mm Ø Tapered													
	22mm Ø Tapered													
	3/4" Thread													
	5/8" Thread													
	M14 Stepped thread													
	M16 Stepped thread													
	1/2" Stepped thread													
Reduction					●	●	●	●	●	●				
Fuel tank		●	●	●	●	●		●	●	●	●	●	●	●
Oil alert		●	●	●				●	●					
Lamp coil							●							

Specifications		Model	GX120K1											
		Type	Standard equipment (1)											
			SD	SD16	SD4	SE	SG24	SH	SHQ4	SJ	SJC1	SJC5	SJD2	SKR
Crankshaft	18mm Ø Straight	●	●	●	●	●	●	●	●	●	●	●	●	●
	19.05mm Ø Straight													
	20mm Ø Spline													
	21mm Ø Spline													
	19.8mm Ø Tapered													
	22mm Ø Tapered													
	3/4" Thread													
	5/8" Thread													
	M14 Stepped thread													
	M16 Stepped thread													
	1/2" Stepped thread													
Reduction														
Fuel tank		●	●	●	●	●	●	●	●	●	●	●	●	●
Oil alert						●			●	●			●	
Lamp coil														

		Model	GX120K1												
		Type	Standard equipment (1)												
Specifications			SMJ	SMW2	SM11	SM12	SM14	SSK1	SSK3	SSX2	SSX4	STP	STS	SWX2	SWX4
Crankshaft	18mm Ø Straight		●	●	●	●	●	●	●	●	●	●	●	●	●
	19.05mm Ø Straight														
	20mm Ø Spline														
	21mm Ø Spline														
	19.8mm Ø Tapered														
	22mm Ø Tapered														
	3/4" Thread														
	5/8" Thread														
	M14 Stepped thread														
	M16 Stepped thread														
	1/2" Stepped thread														
Reduction															
Fuel tank			●	●	●	●	●	●	●	●	●	●	●	●	●
Oil alert			●	●		●	●			●	●			●	●
Lamp coil															

		Model	GX120K1											
		Type	Standard equipment (1)											
Specifications		SX	SXS4	SX4	SX7	SYA	TX	TX2	TX26	TX4	UXU	VED	VED1	VED6
Crankshaft	18mm Ø Straight	●	●	●	●	●								
	19.05mm Ø Straight													
	20mm Ø Spline													
	21mm Ø Spline													
	19.8mm Ø Tapered													
	22mm Ø Tapered											●	●	●
	3/4" Thread													
	5/8" Thread						●	●	●	●				
	M14 Stepped thread													
	M16 Stepped thread													
	1/2" Stepped thread										●			
Reduction														
Fuel tank		●	●	●	●		●	●	●	●	●	●	●	●
Oil alert		●	●	●	●		●	●	●	●	●		●	●
Lamp coil						●								

Specifications		Model	GX120K1											
		Type	Standard equipment (1)											
			VEE1	VEK	VET	VEX	VEX7	VMS4	VMT	VPM4	VPR4	VSX	VSX1	VX
Crankshaft	18mm Ø Straight													
	19.05mm Ø Straight													
	20mm Ø Spline													
	21mm Ø Spline													
	19.8mm Ø Tapered				●	●	●		●	●	●	●	●	●
	22mm Ø Tapered	●	●	●				●						
	3/4" Thread													
	5/8" Thread													
	M14 Stepped thread													
	M16 Stepped thread													
	1/2" Stepped thread													
Reduction														
Fuel tank		●	●	●	●	●	●				●	●	●	●
Oil alert		●			●	●	●	●	●	●	●	●	●	●
Lamp coil														

		Model	GX120K1												
		Type	Standard equipment (1)												
Specifications			VX4	VX7	WDA6	WD12	WJ	WJP	WKD6	WKT2	WKT4	WKT6	WMA3	WMA4	WME2
Crankshaft	18mm Ø Straight														
	19.05mm Ø Straight														
	20mm Ø Spline														
	21mm Ø Spline														
	19.8mm Ø Tapered	●	●												
	22mm Ø Tapered														
	3/4" Thread														
	5/8" Thread														
	M14 Stepped thread			●	●	●		●	●	●	●	●	●	●	
	M16 Stepped thread							●							●
	1/2" Stepped thread														
Reduction															
Fuel tank		●	●	●	●	●	●	●	●	●	●	●	●	●	●
Oil alert		●	●					●	●	●	●				●
Lamp coil															

Specifications		Model	GX120K1										
		Type	Standard equipment (1)			Selective equipment (2)					Indonesia-KD (3)		
			WME4	WMK	WM1	H1	L1	Q1	R1	S1	W1	SIH	WIH
Crankshaft	18mm Ø Straight							●	●		●		
	19.05mm Ø Straight						●						
	20mm Ø Spline					●							
	21mm Ø Spline				●								
	19.8mm Ø Tapered												
	22mm Ø Tapered												
	3/4" Thread												
	5/8" Thread												
	M14 Stepped thread		●	●						●		●	
	M16 Stepped thread	●											●
1/2" Stepped thread													
Reduction					●	●		●					
Fuel tank		●	●	●	(●)	(●)	(●)	(●)	(●)	(●)	●	●	●
Oil alert					(●)	(●)	(●)	(●)	(●)	(●)			
Lamp coil					(●)	(●)	(●)	(●)	(●)	(●)			

Specifications		Model	GX120K1			
		Type	Brazil-KD (4)			
			QDBR	QXBR	TXBR	VXBR
Crankshaft	18mm Ø Straight					
	19.05mm Ø Straight	●	●			
	20mm Ø Spline					
	21mm Ø Spline					
	19.8mm Ø Tapered				●	
	22mm Ø Tapered					
	3/4" Thread					
	5/8" Thread			●		
	M14 Stepped thread					
	M16 Stepped thread					
	1/2" Stepped thread					
Reduction						
Fuel tank		●	●	●	●	
Oil alert			●	●	●	
Lamp coil						

Fuel hose, general purpose hoses and vinyl hose

- The standard part fuel hose, general purpose hose and vinyl hose may be substituted by the coiled bulk part.
- When ordering the standard part fuel hose, general purpose hose and vinyl hose use the bulk part number written in the parts catalog in brackets () underneath the part name.
- When exchanging the hose, cut and use at the specified length as mentioned in the part name.
(For the method of cutting the bulk part, and method of filling out orders etc., please refer to the instructions issued with the bulk part.)

Bulk part number of fuel hose, general purpose hose and vinyl hose.

Example: 9 5 0 0 1 - 7 5 0 0 1 - 5 0 M

Bulk part number:
Refers to the bulk part.

Marking code (fuel hose and general purpose hose)

Change code (Vinyl hose)

Indicates number mark or change sequence, however, the code for the bulk part must be strictly 0 (zero).

Types of code:

- | | | | | | |
|-------------|--|----------------|-------------|--------------|---------------|
| • Fuel hose | 2: Red outside braid
(3 mm inside dia. only) | • General hose | 1: Ash gray | • Vinyl hose | 1: Clear |
| | 5: Black inside braid | | 2: Ash gray | | 2: Black |
| | 3: Red (3 mm inside dia. only) | | 3: Black | | 3: Light red |
| | 4: Ash gray with red stripe
(3 mm inside dia. only) | | 5: Black | | 6: Light red |
| | 6: Black | | | | 7: Pale black |

Lengths:

- 001: 1 m (standard)
003: 3 m
008: 8 m } Application or specification of some parts is not settled.

I.D code: (fuel hose and general purpose hose)

- | | | | | |
|------------|--------------------|--------------------|-----------------------------|-----------------------------|
| 30: 3.0 mm | 50: 5.0 mm | 70: 7.0 mm | 11: 11 mm | 12: 12 (outside dia. 17) mm |
| 35: 3.5 mm | 55: 5.3 mm, 5.5 mm | 75: 7.3 mm, 7.5 mm | 91: 12 (outside dia. 15) mm | 14: 14 mm |
| 45: 4.5 mm | 65: 6.5 mm | 80: 8.0 mm | 92: 12 (outside dia. 16) mm | 17: 17 mm |

ID./OD. code: (vinyl hose)

- | | | | | |
|-------------------------|--------------------------|---------------------------|---------------------------|---------------------------|
| 01: ID. 2.9, OD. 6.8 mm | 12: ID. 5.0, OD. 7.0 mm | 21: ID. 8.0, OD. 9.0 mm | 37: ID. 11.0, OD. 15.0 mm | 50: ID. 16.0, OD. 19.0 mm |
| 03: ID. 3.0, OD. 6.0 mm | 10: ID. 5.0, OD. 8.0 mm | 23: ID. 8.0, OD. 12.0 mm | 38: ID. 12.0, OD. 13.0 mm | 55: ID. 17.5, OD. 20.5 mm |
| 05: ID. 3.5, OD. 6.5 mm | 11: ID. 5.0, OD. 9.0 mm | 25: ID. 9.0, OD. 11.0 mm | 39: ID. 12.0, OD. 14.0 mm | 60: ID. 22.0, OD. 27.0 mm |
| 07: ID. 4.0, OD. 7.0 mm | 14: ID. 6.0, OD. 9.0 mm | 27: ID. 9.0, OD. 13.0 mm | 40: ID. 12.0, OD. 16.0 mm | |
| 08: ID. 4.5, OD. 6.5 mm | 17: ID. 7.0, OD. 9.0 mm | 33: ID. 10.0, OD. 14.0 mm | 43: ID. 13.0, OD. 15.0 mm | |
| 09: ID. 4.5, OD. 8.0 mm | 19: ID. 7.0, OD. 11.0 mm | 36: ID. 11.0, OD. 13.0 mm | 45: ID. 14.0, OD. 18.0 mm | |

Hose type:

- 1: Fuel hose
3: Vinyl hose
5: General hose

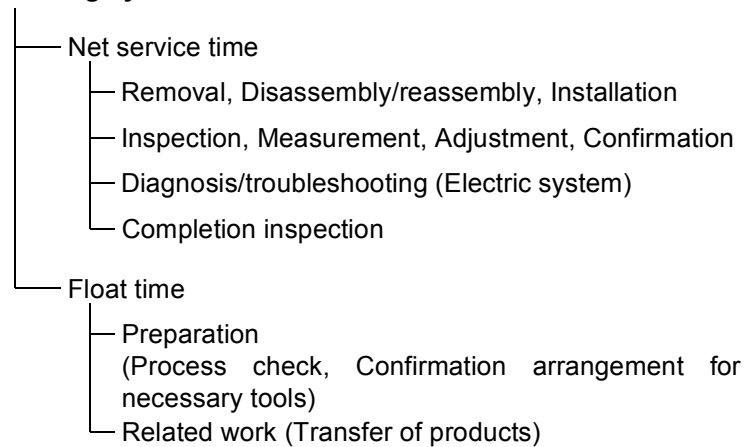
© **CAUTION: It is DANGEROUS to confuse the fuel hose with the general purpose hose or vinyl hose.**

Never use a general purpose hose or vinyl hose in place of a fuel hose or vice versa. Always use the correct bulk part in the parts catalogue, according to the service manual or the instructions issued with the bulk part.

FLAT RATE SERVICE TIME

Flat rate service time (FRT) means the standard time required to service a product, which is listed in this manual to help the dealers control the actual working process and calculate the service charge by using it as a guide.

FRT setting system



* Float time is set by multiplying the net service time by a given coefficient.

Editorial style

The service items shown in the text are listed with the exchange work time for the repair sales parts as the subject. Other representative service items not using repair parts (removal/installation, adjustment, inspection/measuring, and other work) are listed collectively in the list in the preface, classified according to the work.

FRT setting standard

- Decimal system (in unit of 0.1) is adopted to set FRT as it is convenient to calculate the wage.
Example: (0.1) → 6 minutes, (0.2) → 12 minutes
[Labor cost per hour] x [FRT] = [Wage]
- FRT is set with a hand tool.
- Service items and FRT can be subject to change depending on development of tools and service equipment and improvement in service procedure.

Work procedure

- As the work procedure is set with the work time according to the method in the separate Service Manual, refer to this Manual as required.
- Work methods permitting servicing in the shortest time still permitting assurance of safe work and product warranty are used for the setting of service items not listed in the Service Manual.
- Work basically is to be performed by one person, and when two or more people are required, setting is done as the total time for the number of people.
- The set value for the technological level of the workers uses a person with three years of experience in the repair of Honda products as the standard.
- Special tools and service equipment used to set FRT are those specified or recommended in Service Manual.

Service item whose FRT is not presented

- Accessories and service parts that are not listed to use in this manual.
 - Locations with little aging deterioration or breakage during normal use.
 - Service work that can be finished by one touch.
 - Service work that is seldom done (i.e. extremely small causes of trouble and service frequency).
 - Products and parts whose location for installation differs according to its status of use and application.
- * When FRT is not presented, please calculate wages based on appropriate actual work time.

Operation not included of FRT

- Oil and coolant water draining, Waiting time for warming up operation and etc..
- Additional operation that involves removal/installation of standard exterior equipment.
- Indirect time spent for service by visiting the customer, trade-in, and delivery.
- Indirect time required for ordering and delivery of parts.
- Cost for grease, adhesive agent, etc. used for service work.

Explanation of FRT by using an example
(The example may differ from the actual presented items)

Ref. No.	L.O.N.	Description	(Relative ref. Number)	F.R.T.
①	1111L1	VALVE, INTAKE4.1	④	②
②		• NOTE: OHV type	⑥	⑦
③	1111L1A	One head (intake all) add1.4		⑤

- ① Reference No. of the illustration of part that shows location of the replacement work.
- ② FRT is an abbreviation of Flat Rate Time indicating the standard service time required for the replacement.
- ③ LON is an abbreviation of Labor Operation Number, and it is a classification of the service items by the work unit code.

The same operation code is used regardless of the models.

Standard operation is indicated with 6 digits code, and additional operation is indicated with 7 digits code.

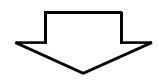
- ④ Indicating the intake valve replacement and FRT4.1.
- ⑤ Indicating FRT1.4 that will be added when additional operation (whole intake side of one cylinder head) is done in association with intake valve replacement.

- ⑥ Indicating work condition or application condition of the service item.
- ⑦ Indicating work contents that are included in the service item.
- ⑧ Indicating a reference No. whose operation and time are the same as FRT4.1 for the intake valve.

(The application range is limited to the service items without an LON setting within a same block.)

How to refer to the service item by using the sample
(intake valve replacement)

Open to the page of the block where the intake valve's spare part illustration is shown.



Look for the intake valve illustration, and refer to the service item and FRT that agree with the reference No.

Indication mark for the listing of service items that continues to the following page

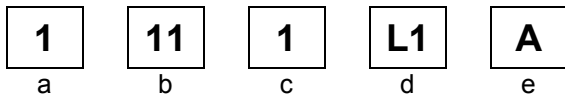
Ref. No.	L.O.N.	(Relative ref. Number) Description	F.R.T.
2	1111L1	VALVE, INTAKE	4.1
	.	.	.
	.	.	.

+
Mark indicated at the last line.

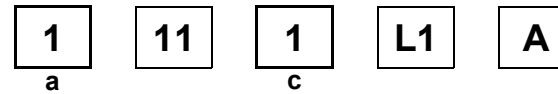
Indication of the block with no setting of FRT

Ref. No.	L.O.N.	(Relative ref. Number) Description	F.R.T.
NO INFORMATION			

• LON code system



- a) Category code..... Engine
- b) Location/function code Engine upper
- c) Operation code..... Replace
- d) Operation sequence number (Unit code can be shown with alphabet)
..... Intake valve
(No regular rule of code)
- e) Additional code One head (intake all)
(No regular rule of code)



a) Category codes and classification

Code	Category
1	Engine
2	Power drive
3	Fuel & Exhaust
4	Frame & Body
5	Steering
6	Electrical
7	Axle & Brake
8	Control system
9	-
0	Attachments

c) Operation codes and classification

Code	Operation category
1	Replace, Removal/Installation, Change
2	Overhaul
3	Adjust, Rotation
4	(Paint-related work: Top-coat)
5	Test, Inspect/diagnose, Measurement
6	(Overhaul-related work: Rebore)
7	(Overhaul-related work: Reseal)
8	(Resurface)
9	(Paint-related work: Refinish)
0	Repair, Cleaning, Air bleeding

Major service items without using spare parts

(1) Removal/Installation, (2) Adjustment,
(3) Inspection/Masurement, (4) Overhaul, (5) Other work

E: Engine, T: Transmission, D: Drive system,
B: Body and related parts

(1) Removal/Installation

Set with the parts configuration in the status of being removed from the product.

	LON	DESCRIPTION	FRT
E	1111L3	CYLINDER HEAD ASSEMBLY-REMOVAL/INSTALLATION	0.5

(2) Adjustment

	LON	DESCRIPTION	FRT
E	1113A1	VALVE CLEARANCE-ADJUSTMENT NOTE: For 1 product	0.3
	1163A0	CONTROL, THROTTLE/GOVERNOR-ADJUSTMENT	0.2
	3113A2	CARBURETOR IDLE-ADJUSTMENT	0.2

(3) Inspection, Measurement, Cleaning

	LON	DESCRIPTION	FRT
E	1105A0	ENGINE OIL-INSPECTION	0.1
	3120A0	AIR CLEANER-CLEANING INCLUDES: Air cleaner-inspection	0.2
	3130A0	SPARK ARRESTER-CLEANING	0.2
	6140A0	SPARK PLUG-ADJUSTMENT/CLEANING NOTE: For 1 product	0.1

(4) Overhaul

Work condition: The required Measurements, inspections, adjustments, and cleaning/washing of each part are performed, including the main body removal/installation work and the replacement of defective parts.

	LON	DESCRIPTION	FRT
E	3112A0	CARBURETOR-OVERHAUL INCLUDES: All necessary adjustment	0.6

(5) Other work

	LON	DESCRIPTION	FRT
E	1101E1	ENGINE OIL-CHANGE INCLUDES: Engine oil-inspection	0.1