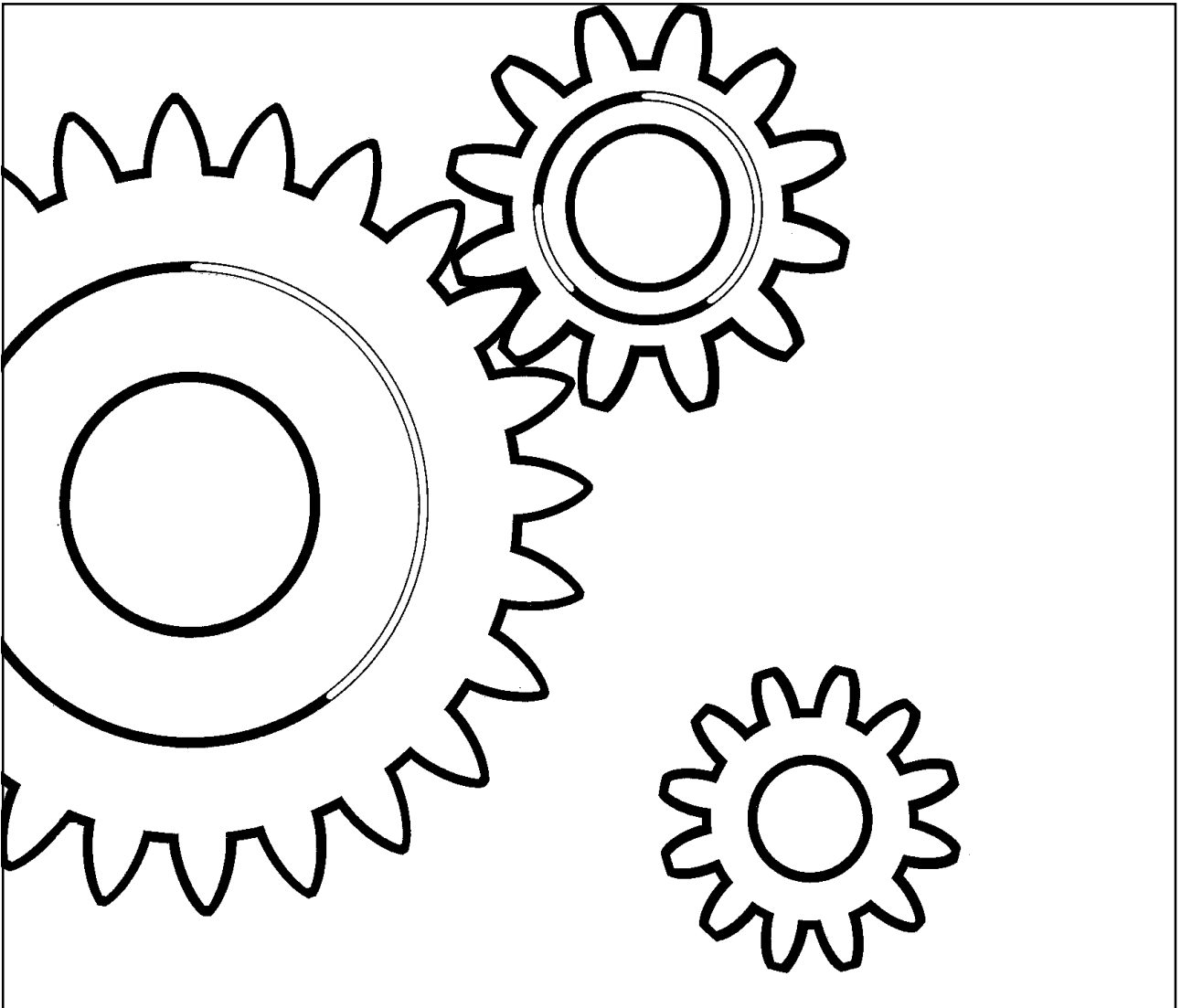


DYNAPAC LF100

SPARE PARTS CATALOGUE SLF100-1EN2



DYNAPAC

Part of the Atlas Copco Group

Atlas Copco Construction Tools AB

SE-105 23 Stockholm, Sweden

LF100

Spare Parts Catalogue

SLF100-1EN2

Valid from serial number:

**27600001*-*

Engines:

Honda GX160

Robin EX17

Hatz 1B20

Published catalogue issues valid for these plate compactors:

| <i>Catalogue</i> | <i>Issue date</i> | |
|--------------------|-------------------|--------------------------------|
| <i>SLF100-1EN1</i> | <i>2008 - 12</i> | <i>Replaced by SLF100-1EN2</i> |
| <i>SLF100-1EN2</i> | <i>2009 - 04</i> | |



RESERVDLSBESTÄLLNING

Följande uppgifter ska lämnas vid beställning av reservdelar för att undvika leveransfel:

1. Maskintyp.
2. Vältens serienummer.
3. Antal av önskad reservdel.
4. Reserdelens artikelnummer.
5. Reservdelens benämning.
6. Måttuppgifter vid beställning av metervara.

ERSATZTEILBESTELLUNG

Zur Vermeidung von Fehllieferungen sind bei der Bestellung von Ersatzteilen folgende Angaben zu machen:

1. Maschinentyp.
2. Herstellungsnummer.
3. Bestellmenge. (Quantity)
4. Ersatzteilnummer. (Part N°)
5. Ersatzteilbenennung. (Denomination)
6. Massangaben bei Bestellung von Meterware.

PEDIDO DE RECAMBIOS

Para evitar errores en las entregas, deberán indicarse los siguientes datos al hacer un pedido de recambios:

1. Tipo de máquina.
2. Número de serie.
3. Cantidad de piezas deseadas. (Quantity)
4. Número de artículo de la pieza de recambio. (Part N°)
5. Denominación de la pieza. (Denomination)
6. Indíquese la medida al solicitar un artículo que se expide por metros.

ORDERING SPARE PARTS

To avoid errors in delivery, please give the following information when ordering spare parts:

1. Type of machine.
2. Roller serial number.
3. Quantity required.
4. Part number.
5. Parts denomination.
6. Dimensions when ordering per length.

ORDINI DI RICAMBI

Per evitare errori nelle consegne di ricambi, Vi preghiamo di comunicarci le seguenti informazioni al momento dell'ordinazione:

1. Tipo di macchina.
2. Numero di serie della macchina.
3. Quantità dei pezzi desiderati. (Quantity)
4. Numero di codice del pezzo. (Part N°)
5. Descrizione del pezzo di ricambio. (Denomination)
6. Misura, in caso di ordine per metro.

COMMANDE DE PIÈCES DE RECHANGE

Les indications suivantes doivent être fournies lors de la commande de pièces de rechange, afin d'éviter toute erreur de livraison:

1. Type de machine.
2. Numéro de série.
3. Quantité désirée de pièce de rechange. (Quantity)
4. Numéro de la pièce de rechange. (Part N°)
5. Dénomination de la pièce de rechange. (Denomination)
6. Longueur en cas de commande au mètre.

YOUR AGENT/DEALER:

PÄRMETIKETT

För att undvika fel vid reservdelsbeställning finns här nedan två etiketter som passar i fickorna på pärmarnas ryggar. På dessa kan man se från vilket vältnummer av aktuell maskin reservdelskatalogen gäller. Gör så här:

1. Tag denna sida ur pärmen.
2. Klipp ut etiketten till **VÄNSTER** (1) och sätt in den i fickan på **DENNA** pärmens rygg.
3. Finns det en etikett till **HÖGER** (2), kan denna användas på pärmen för **FÖREGÅENDE** utgåva av denna katalog.
4. Kasta detta papper.

KATALOG-BESCHRIFTUNG

Zur Vermeidung von Fehlern bei der Ersatzteilbestellung benutzen Sie bitte die unteren Beschriftungen, um die Kataloge auf der Rückseite zu kennzeichnen. Auf der Beschriftung ist angegeben, für welche Maschinennummern der jeweilige Katalog gültig ist. Ablauf:

1. Nehmen Sie dieses Blatt aus dem Katalog.
2. Schneiden Sie die **LINKE** Beschriftung (1) aus. Schieben Sie die Beschriftung in die tasche auf **DEM** Katalogrücke.
3. Sollte die Beschriftung unten **RECHTS** (2) mitgeliefert werden, kennzeichnen Sie damit bitte die **ÄLTERE** Ausführung dieses Kataloges.
4. Den Rest dieses Blattes bitte vernichten.

ETIQUETA PARA LA CARPETA

Para evitar errores al pedir repuestos utilicen las etiquetas abajo descritas para identificar los catálogos en la parte trasera de la carpeta. En la etiqueta se ven los números de referencia de la serie para la cual es válido el catálogo. Instrucciones:

1. Quitar esta página de la carpeta.
2. Corta la etiqueta **IZQUIERDA** (1) y ponerla en **ESTA** carpeta en la parte trasera.
3. Si hay una etiqueta en la parte **DERECHA** (2) se puede utilizar en la carpeta para el catálogo que **PRECEDE** a esta.
4. Tirar esta hoja.

BINDER LABEL

To avoid errors when ordering spare parts use the labels below to identify the catalogues on the back of the binder. The label contain the serial number range for which the catalogue is valid. Do like this:

1. Remove this page from the binder.
2. Cut out the **LEFT** label (1) and put it on **THIS** binders back.
3. If there is a label to the **RIGHT** (2), it can be used on the binder for **PRECEDING** issue of this catalogue.
4. Throw away this paper.

ETICHETTAPOSTASULRACCOGLITORE

Per evitare errori quando ordinate pezzi di ricambio, usate le etichette in calce che servono ad identificare i cataloghi sul retro del raccoglitore. L'etichetta indica il numero di matricola delle macchine prese in considerazione nel catalogo.

1. Rimuovete questa pagina dal raccoglitore.
2. Ritagliate l'etichetta posta a **SINISTRA** (1) e ponetela sul retro **DEL** raccoglitore.
3. Se trovate anche un'etichetta sulla **DESTRA** (2), ritagliatela e ponetela sul raccoglitore relativo alla **PRECEDENTE** edizione del catalogo.
4. Distruggete questo foglio.

ETIQUETAGE DU CATALOGUE

Afin d'éviter des erreurs lors de commandes de pièces de rechange, nous vous conseillons d'apposer les marquages ci-dessous à l'arrière du classeur, pour identifier les catalogues. Ce marquage indique les numéros de série pour lesquels le catalogue est adapté. Il convient de procéder de la façon suivante:

1. Retirez cette page du classeur.
2. Découpez l'étiquette de **GAUCHE** (1), et apposez-la à l'arrière de **CE** catalogue.
3. Si il y a une étiquette à **DROITE** (2), vous pourrez l'apposer sur le classeur de l'édition **PRECEDENTE** du catalogue.
4. Détruire cette feuille.

1.



| | |
|--|-----------|
| LF100 From SN: 27600001 | 2 |
| Engine plate, and eccentric element | 4 |
| Main assy, overview | 6 |
| Engine plate installation Honda, Robin | 8 |
| Engine plate installation, Hatz | 10 |
| Ground plate installation | 12 |
| Protective frame, Honda, Robin Option | 14 |
| Protective frame, Hatz Option | 16 |
| Lifting handle Option | 18 |
| Lifting eye, Honda, Robin Option | 20 |
| Lifting eye, option Hatz | 22 |
| Transport device installation Option | 24 |
| Transport wheel Option | 26 |
| Weight Option | 28 |
| Sprinkler system, option | 30 |
| Block paving kit, width=500 mm Option | 32 |
| Fork lifting device Option | 34 |
| Eccentric element | 36 |
| Eccentric element | 38 |
| Cover, right side | 40 |
| Cover, left side | 42 |
| Engine and engine installation | 44 |
| Engine installation | 46 |
| Engine Honda GX160K1SX | 48 |
| Engine installation Robin | 50 |
| Engine Robin EX17 | 52 |
| Engine installation Hatz | 54 |
| Engine Hatz 1B20 | 56 |
| Power transmission | 60 |
| Transmission cover Honda, Robin | 62 |
| Transmission cover Hatz | 64 |
| Handle | 66 |
| Handle Standard | 68 |
| Vibration damped handle Option | 70 |
| Decals and documentation | 72 |
| Decals and documentation | 74 |

LF100 From SN: 27600001

LF100100



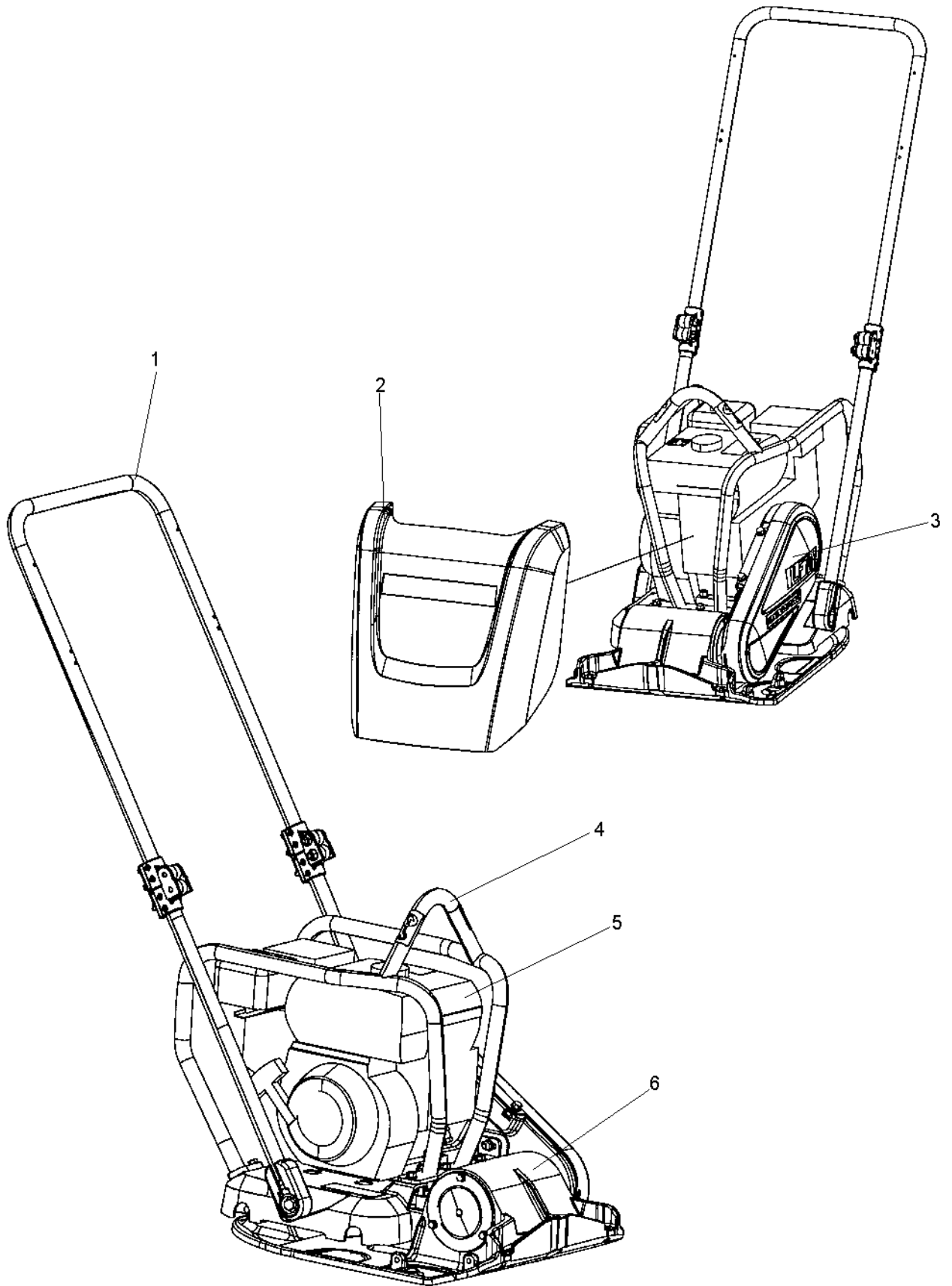
LF100 From SN: 27600001

| Item | Part No | Rem Qty | Description | Code |
|------|---------|---------|--|------|
| 10 | | 1 | Engine plate, and eccentric element (Page 4) | |
| 20 | | 1 | Eccentric element (Page 36) | |
| 30 | | 1 | Engine and engine installation (Page 44) | |
| 40 | | 1 | Power transmission (Page 60) | |
| 70 | | 1 | Handle (Page 66) | |
| 80 | | 1 | Decals and documentation (Page 72) | |

Engine plate, and eccentric element

Engine plate, and eccentric element

| Item | Part No | Rem Qty | Description | Code |
|-------------|----------------|----------------|---|-------------|
| 10 | | 1 | Main assy, overview (Page 6) | |
| 20 | | 1 | Engine plate installation Honda, Robin (Page 8) | |
| 25 | | 1 | Engine plate installation, (Page 10) | Hatz |
| 40 | | 1 | Ground plate installation (Page 12) | |
| 50 | | 1 | Protective frame, Honda, Robin (Page 14) | Option |
| 55 | | 1 | Protective frame, Hatz (Page 16) | Option |
| 60 | | 1 | Lifting handle (Page 18) | Option |
| 70 | | 1 | Lifting eye, Honda, Robin (Page 20) | Option |
| 80 | | 1 | Lifting eye, option (Page 22) | Hatz |
| 90 | | 1 | Transport device installation (Page 24) | Option |
| 100 | | 1 | Transport wheel (Page 26) | Option |
| 110 | | 1 | Weight (Page 28) | Option |
| 120 | | 1 | Sprinkler system, option (Page 30) | |
| 130 | | 1 | Block paving kit, widht=500 mm (Page 32) | Option |
| 140 | | 1 | Fork lifting device (Page 34) | Option |

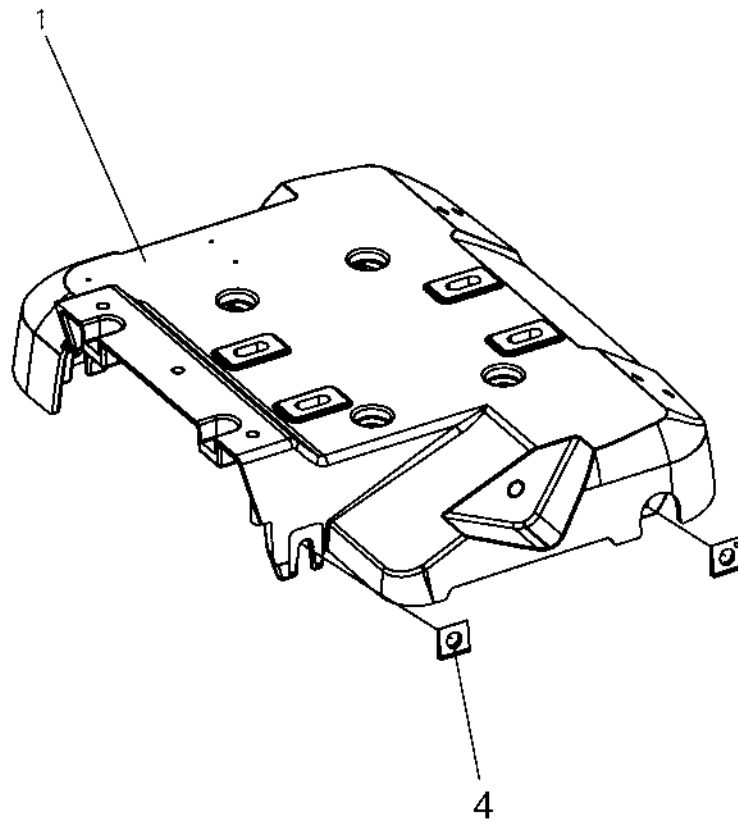


Main assy, overview

| Item | Part No | Rem Qty | Description | Code |
|-------------|----------------|----------------|--|--------------|
| 1 | | | Handle (Page 66) | |
| 2 | D393040-02 | 1 | Cover | Honda, Robin |
| | D393041-02 | 1 | Cover | Hatz |
| 3 | | | Power transmission (Page 60) | |
| 4 | | | Engine plate, and eccentric element (Page 4) | |
| 5 | | | Engine and engine installation (Page 44) | |
| 6 | | | Eccentric element (Page 36) | |
| | | 1 | | |

Engine plate installation Honda, Robin

18620-1

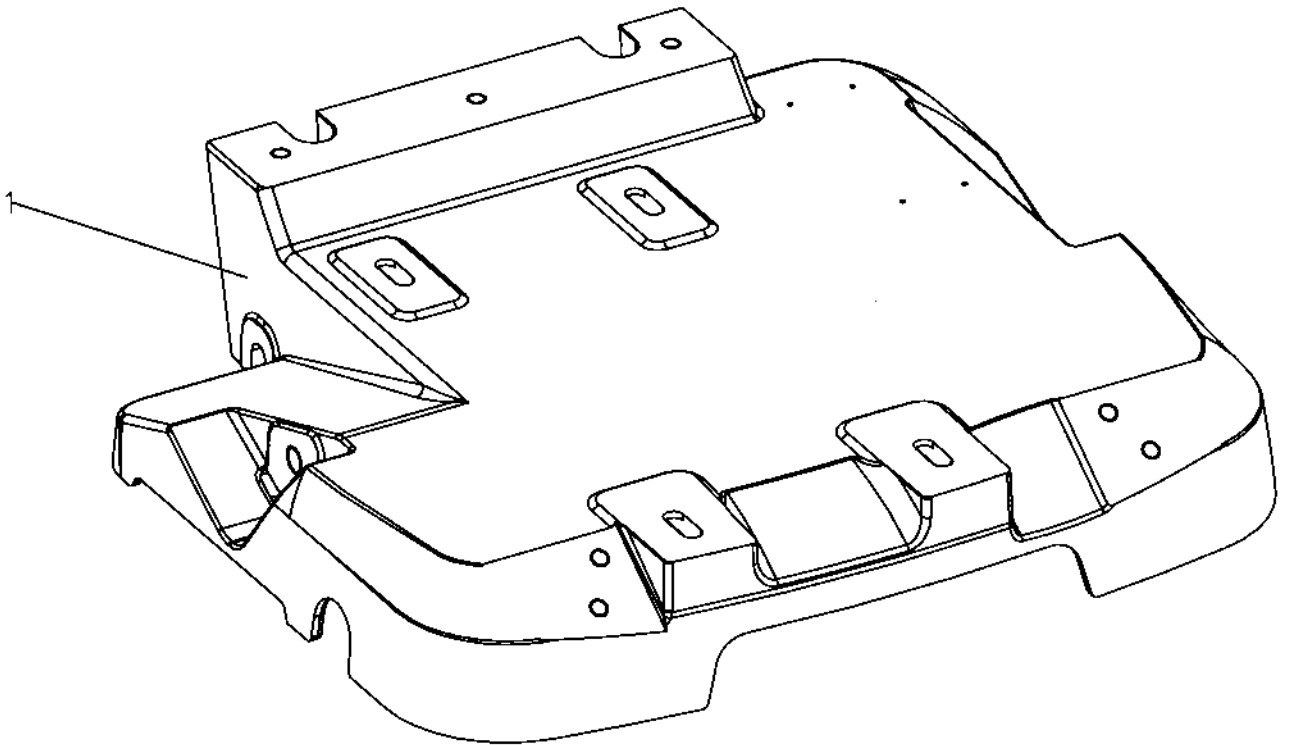


Engine plate installation Honda, Robin

| Item | Part No | Rem Qty | Description | Code |
|-------------|----------------|----------------|---------------------|-------------|
| 1 | D393823-01 | 1 | Engine plate | |
| 4 | 4700792725 | 4 | Square taper washer | |

Engine plate installation, Hatz

18629-1

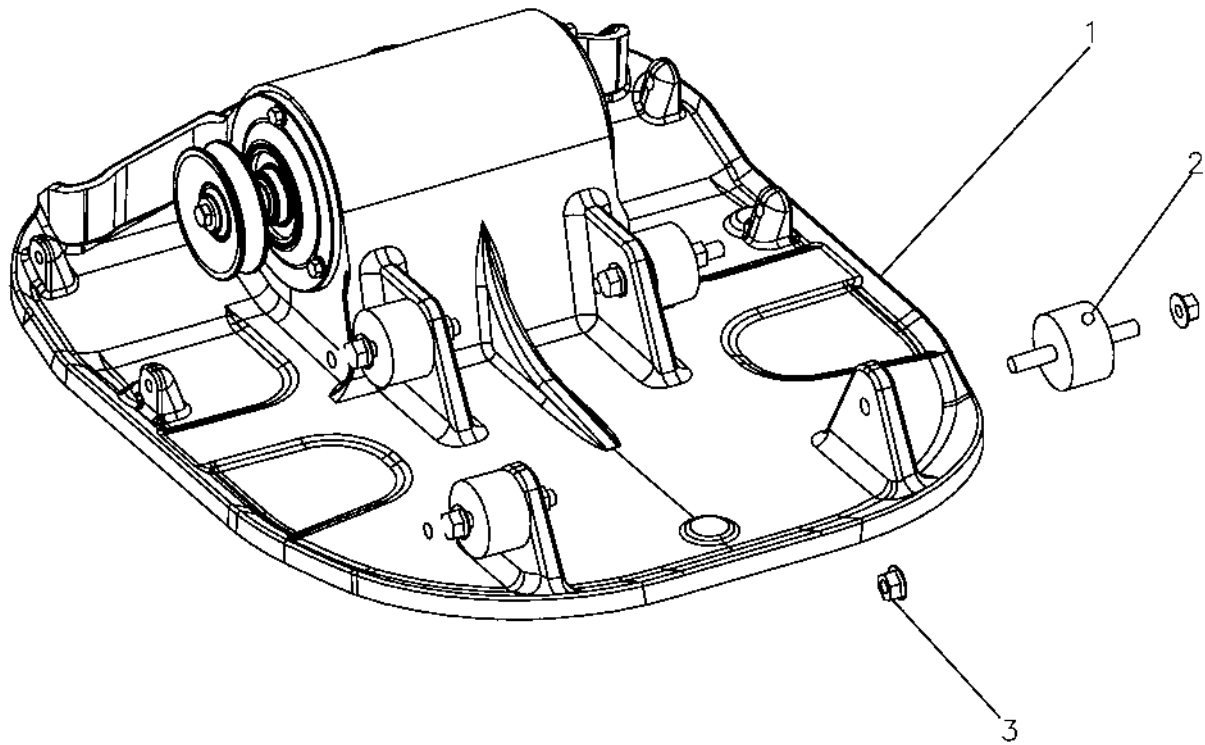


Engine plate installation, Hatz

| Item | Part No | Rem Qty | Description | Code |
|-------------|----------------|----------------|--------------------|-------------|
| 1 | D393458-01 | 1 | Engine plate | |

Ground plate installation

18625

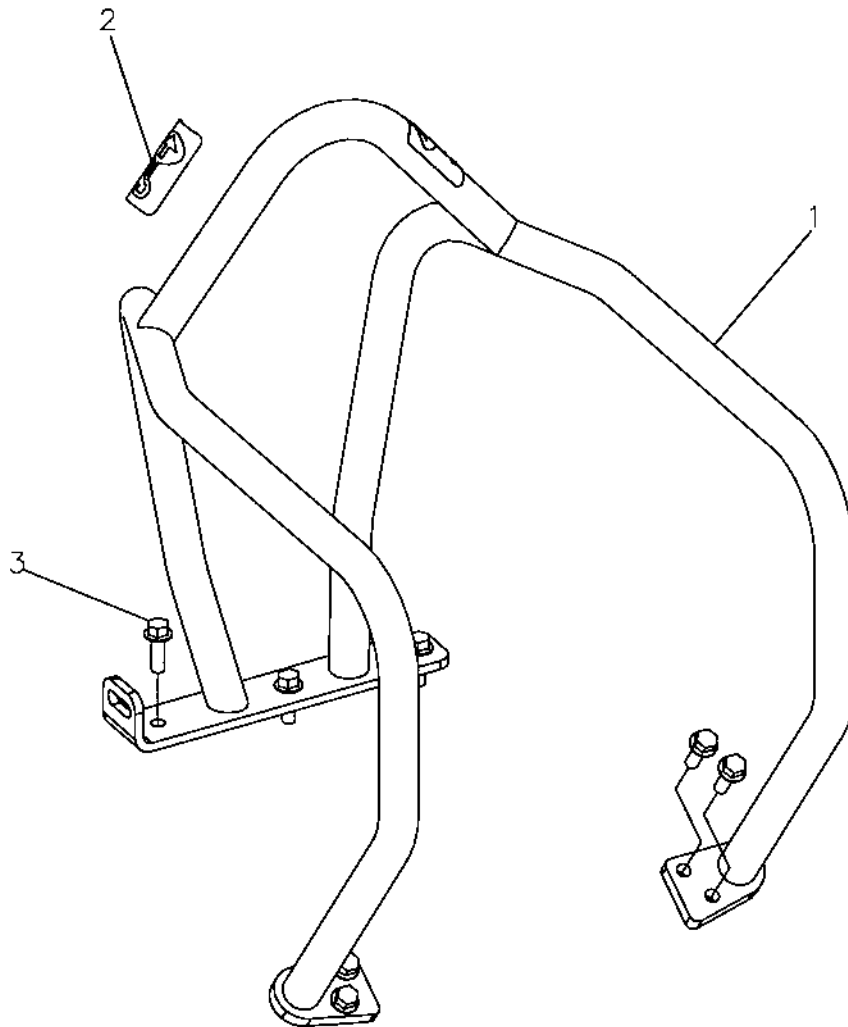


Ground plate installation

| Item | Part No | Rem Qty | Description | Code |
|-------------|----------------|----------------|--------------------|-------------|
| 1 | | 1 | Engine plate | |
| 2 | 4700282373 | 4 | Shock absorber | |
| 3 | 4700570103 | 8 | Nut | M10 |

Protective frame, Honda, Robin Option

18613

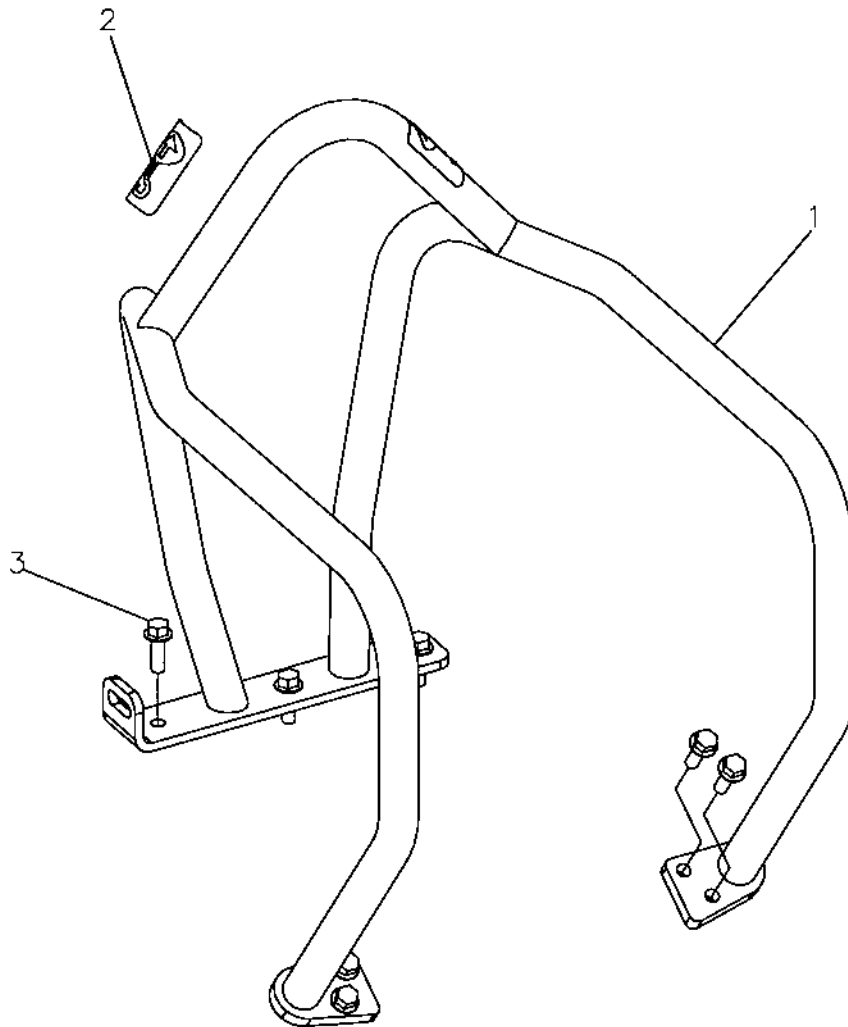


Protective frame, Honda, Robin Option

| Item | Part No | Rem Qty | Description | Code |
|-------------|----------------|----------------|--------------------|-------------|
| 1 | D392920-03 | 1 | Protective frame | |
| 2 | 4700281269 | 2 | Decal "LIFT" | |
| 3 | 4700902041 | 7 | Screw | |

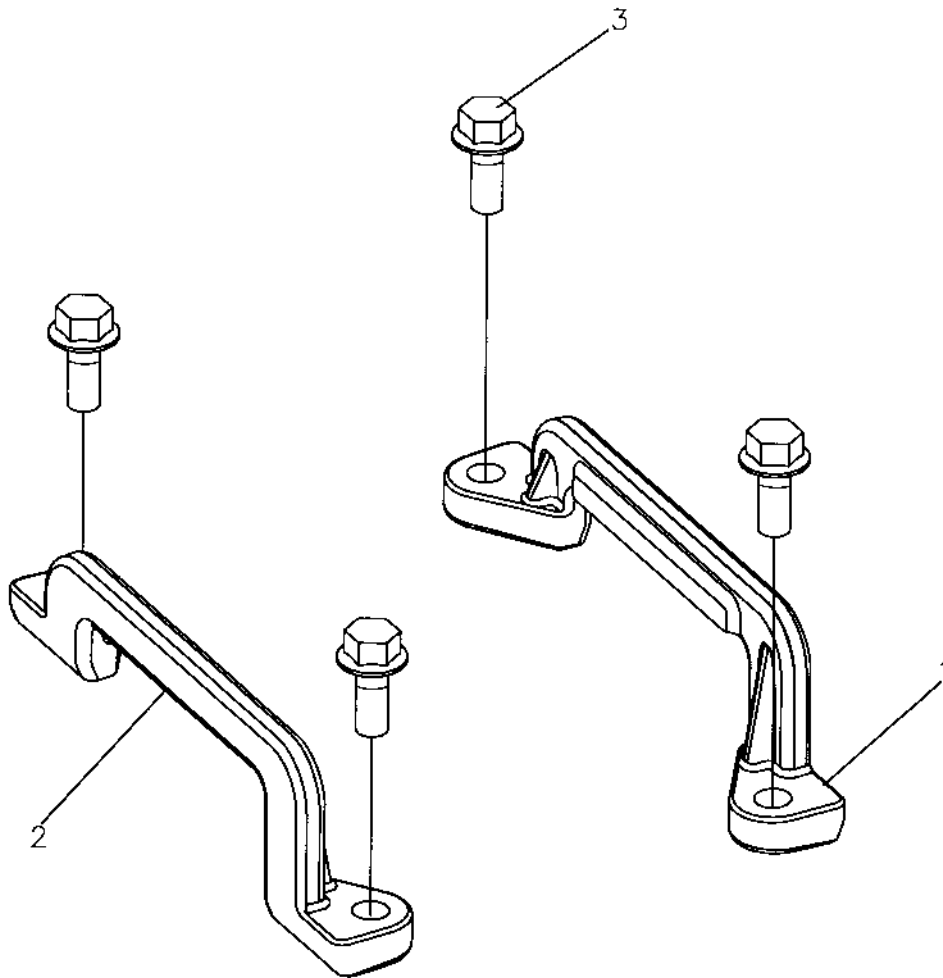
Protective frame, Hatz Option

18613



Protective frame, Hatz Option

| Item | Part No | Rem Qty | Description | Code |
|-------------|----------------|----------------|--------------------|-------------|
| 1 | D393483-03 | 1 | Protective frame | |
| 2 | 4700281269 | 1 | Decal "LIFT" | |
| 3 | 4700902041 | 7 | Screw | |

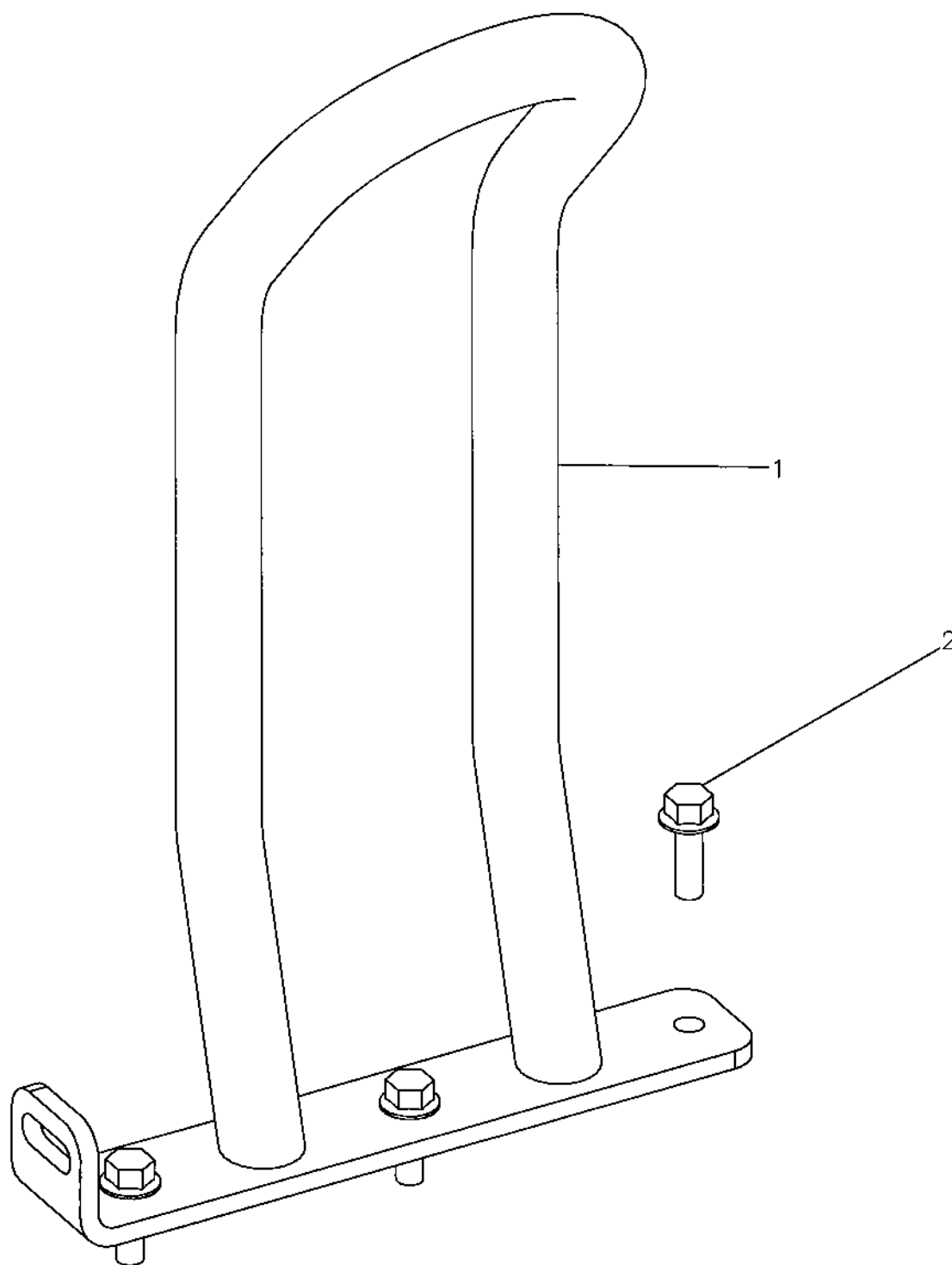


Lifting handle Option

| Item | Part No | Rem Qty | Description | Code |
|-------------|----------------|----------------|--------------------|-------------|
| 1 | 4700395018 | 1 | Handle, right | |
| 2 | 4700395020 | 1 | Handle, left | |
| 3 | 4700500505 | 4 | Screw | M8x20 8.8 |

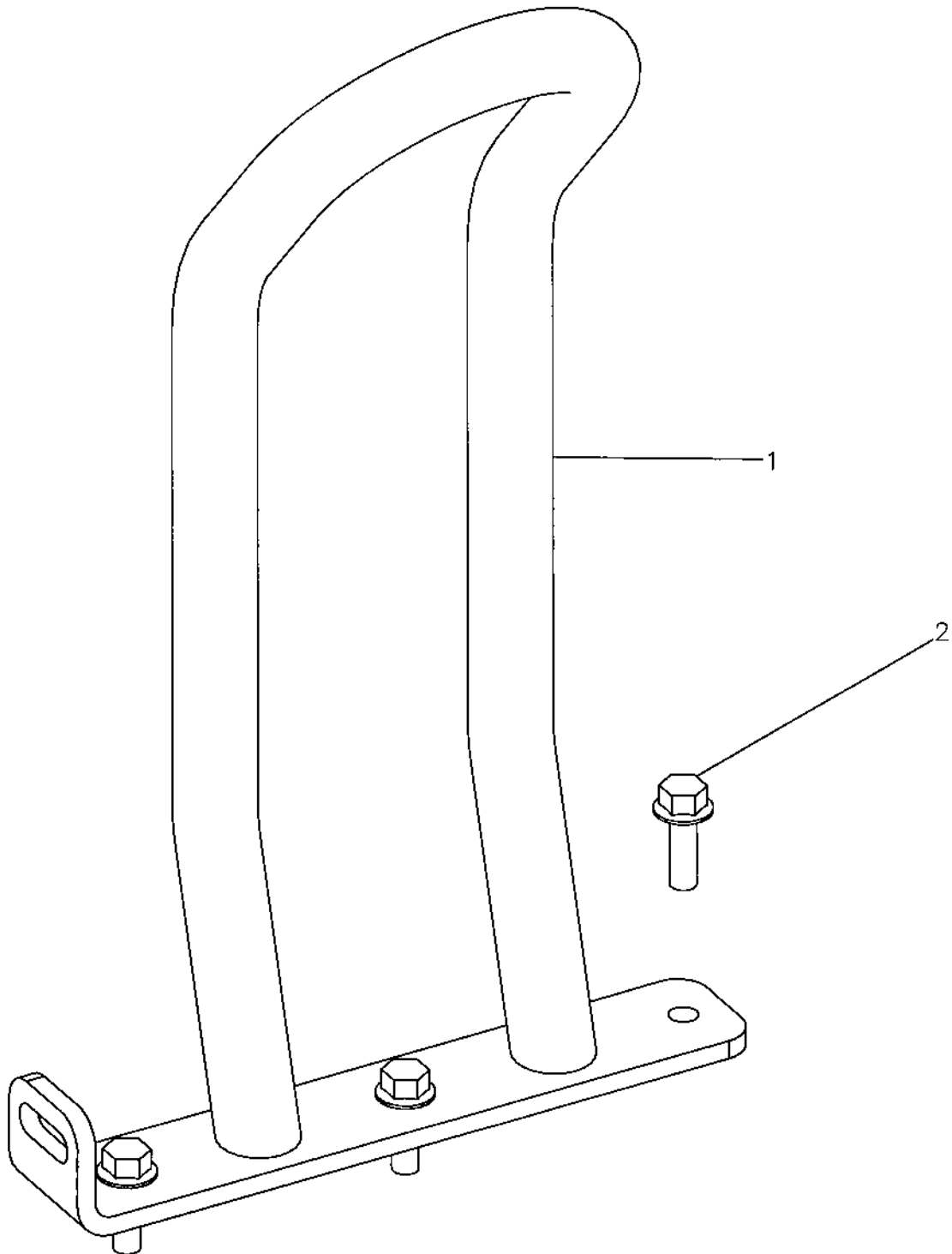
Lifting eye, Honda, Robin Option

18623



Lifting eye, Honda, Robin Option

| Item | Part No | Rem Qty | Description | Code |
|-------------|----------------|----------------|--------------------|-------------|
| 1 | D396963-03 | 1 | Lifting eye | |
| 2 | 4700902041 | 3 | Screw | |

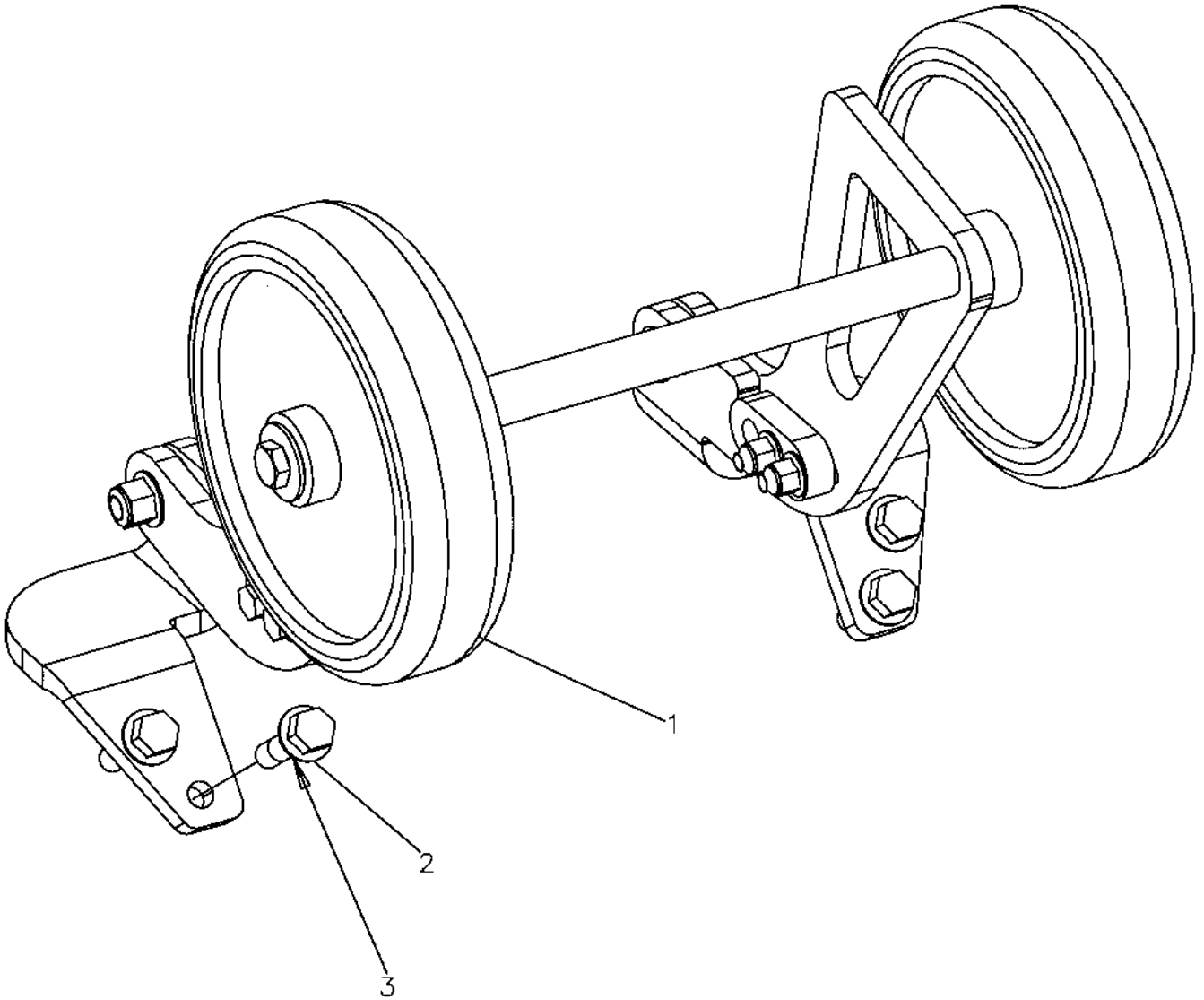


Lifting eye, option Hatz

| Item | Part No | Rem Qty | Description | Code |
|-------------|----------------|----------------|--------------------|-------------|
| 1 | D396964-03 | 1 | Lifting eye | |
| 2 | 4700902041 | 3 | Screw | |

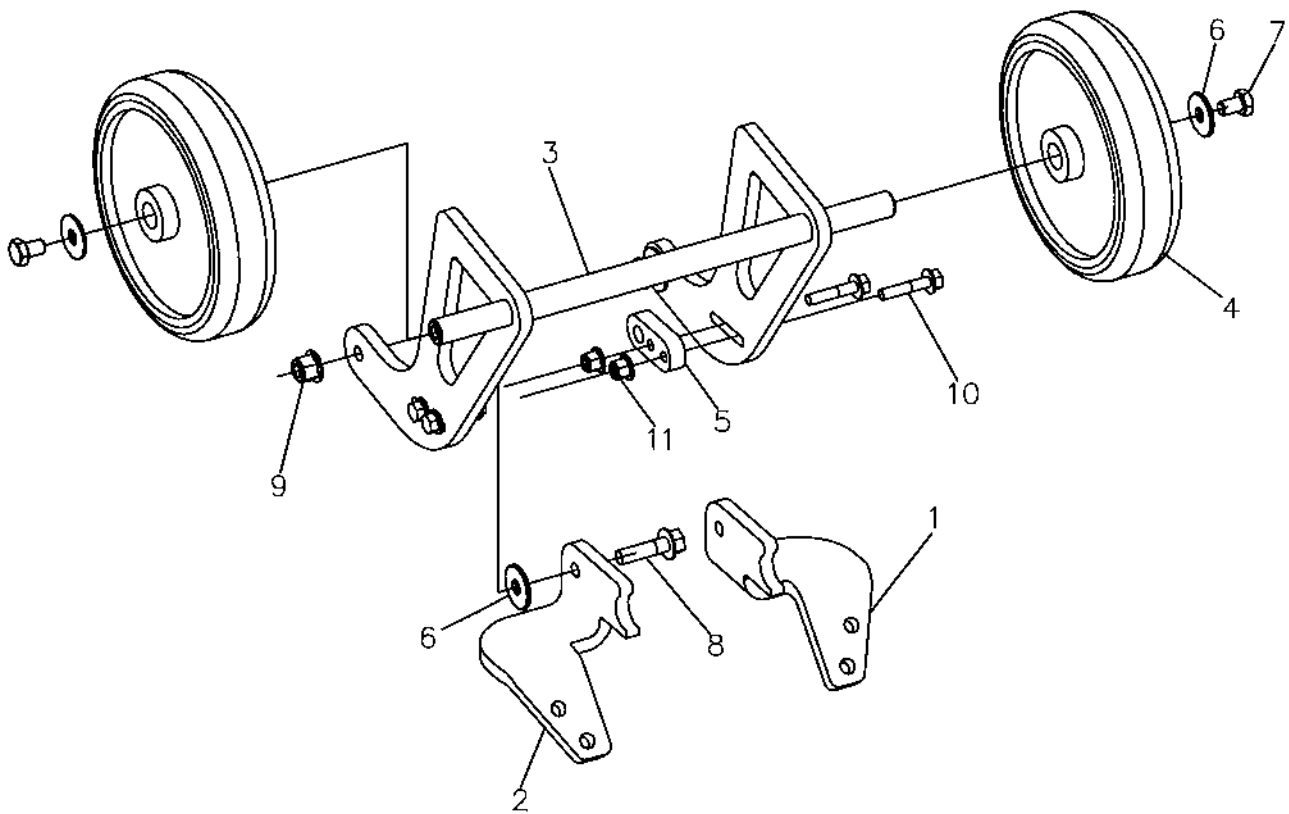
Transport device installation Option

18615



Transport device installation Option

| Item | Part No | Rem Qty | Description | Code |
|-------------|----------------|----------------|-----------------------------|-------------|
| 1 | | 1 | Transport wheel (Page 26) | Option |
| 2 | 4700500505 | 4 | Screw | M8x20 8.8 |
| 3 | 4700500506 | 4 | Screw | |

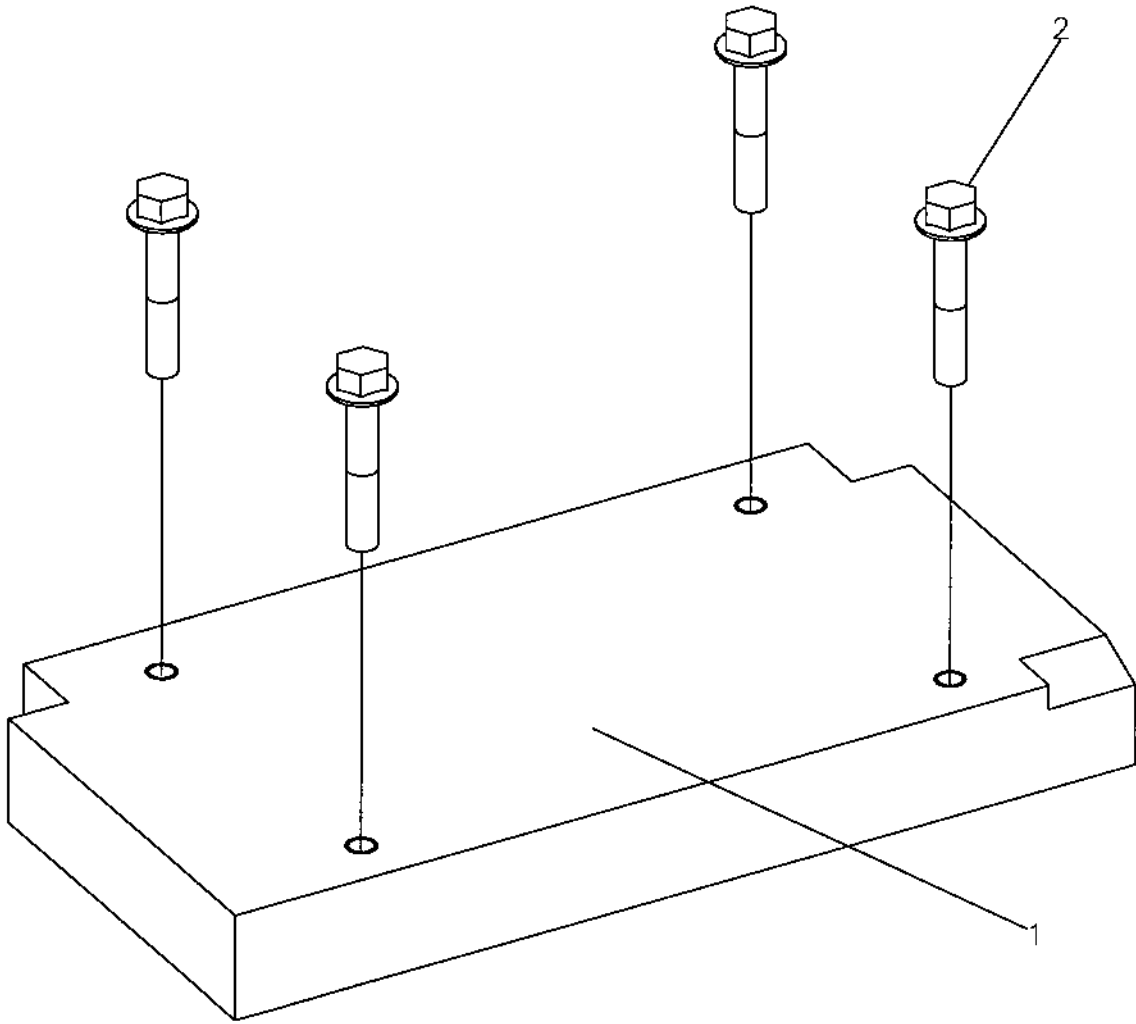


Transport wheel Option

| Item | Part No | Rem Qty | Description | Code |
|-------------|----------------|----------------|--------------------|----------------|
| 1 | 4700393989 | 1 | Bracket, left | |
| 2 | 4700393990 | 1 | Bracket, right | |
| 3 | 4700393987 | 1 | Fork | |
| 4 | 4700383582 | 2 | Wheel | |
| 5 | 4700394103 | 2 | Lock | |
| 6 | 4700601003 | 4 | Washer | 8,4x25x2 |
| 7 | 4700500018 | 2 | Screw | M8-1,25x12 8,8 |
| 8 | 4700500506 | 2 | Screw | |
| 9 | 4700902286 | 2 | Lock nut | M8 |
| 10 | 4700500503 | 4 | Screw | |
| 11 | 4700902285 | 4 | Lock nut | M6 |

Weight Option

18622

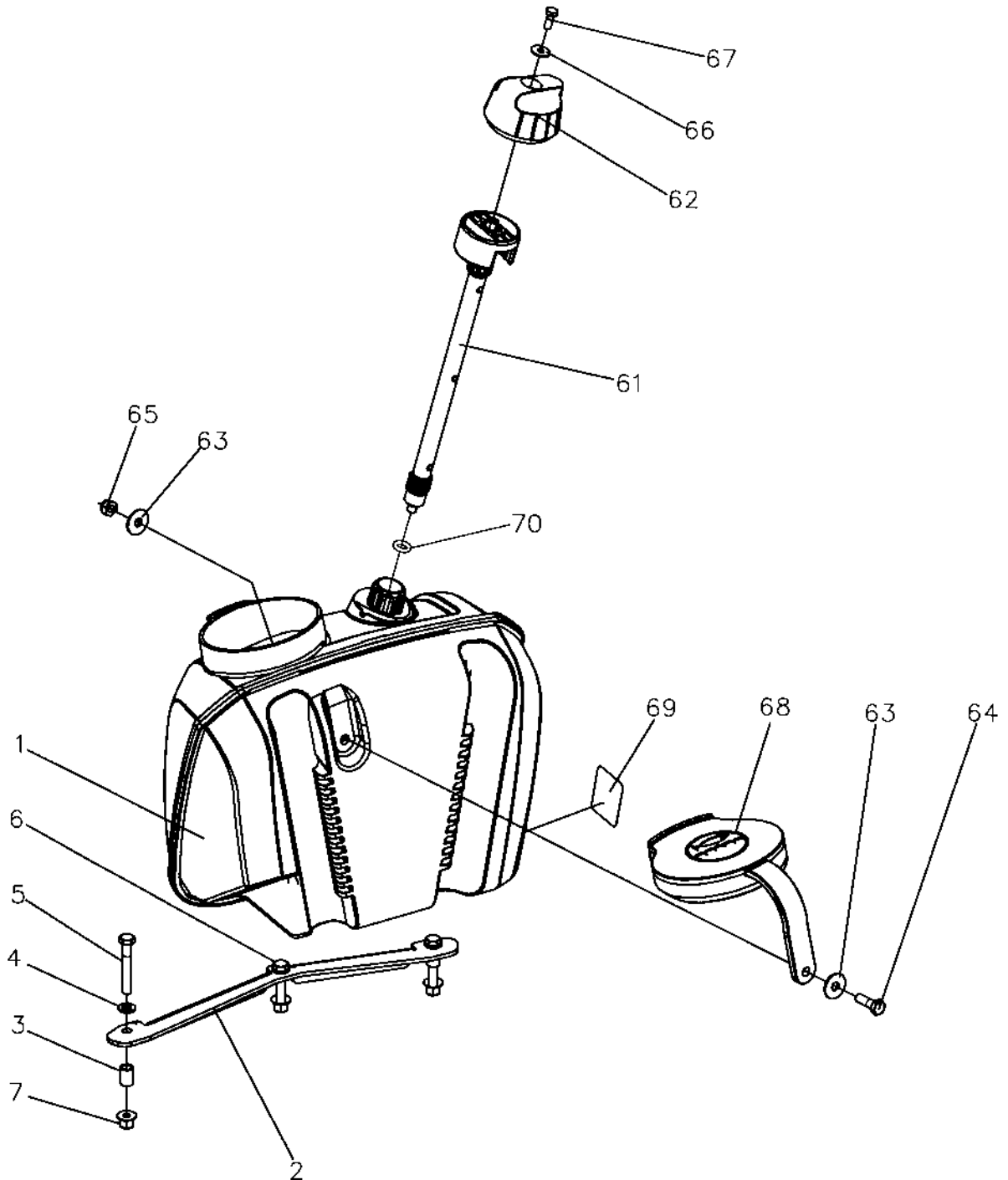


Weight Option

| Item | Part No | Rem Qty | Description | Code |
|------|------------|---------|-------------|------|
| 1 | 4812070085 | 1 | Weight | |
| 2 | 4700500508 | 4 | Screw | |

Sprinkler system, option

18624-2

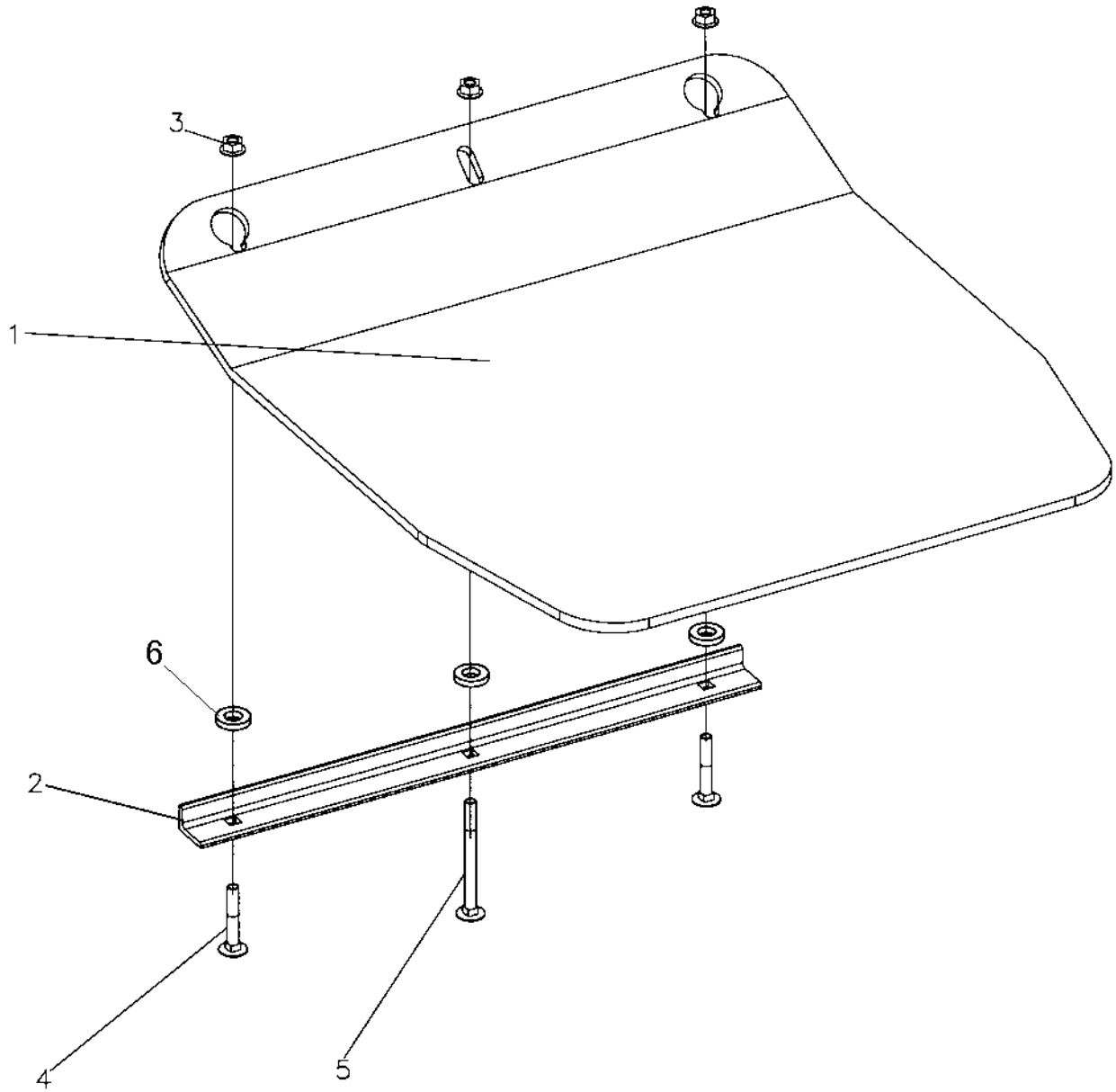


Sprinkler system, option

| Item | Part No | Rem Qty | Description | Code |
|-------------|----------------|----------------|--------------------|----------------|
| 1 | D392815-02 | 1 | Water tank | |
| 2 | 4700396177 | 1 | Sprinkler bar | |
| 3 | 4700396180 | 2 | Spacer | |
| 4 | 4700904229 | 3 | Washer | 8,4x16x1,5 |
| 5 | 4700500067 | 2 | Screw | M8-1,25x55 8,8 |
| 6 | 4700500024 | 1 | Screw | M8x45 |
| 7 | 4700902286 | 3 | Lock nut | M8 |
| 61 | 4700393020 | 1 | Valve rod | |
| 62 | 4700392073 | 1 | Handle | |
| 63 | 4700601003 | 2 | Washer | 8,4x25x2 |
| 64 | 4700500021 | 1 | Screw | M8-1,25x25 8.8 |
| 65 | 4700791182 | 1 | Lock nut | M8 |
| 66 | 4700928381 | 1 | Washer | 6,4x18x1,6 |
| 67 | 4700500013 | 1 | Screw | M6-1x16 8,8 |
| 68 | 4700392092 | 1 | Cap | |
| 69 | 4700393381 | 1 | Decal | |
| 70 | 4700792804 | 1 | O-ring | |

Block paving kit, width=500 mm Option

18752-1

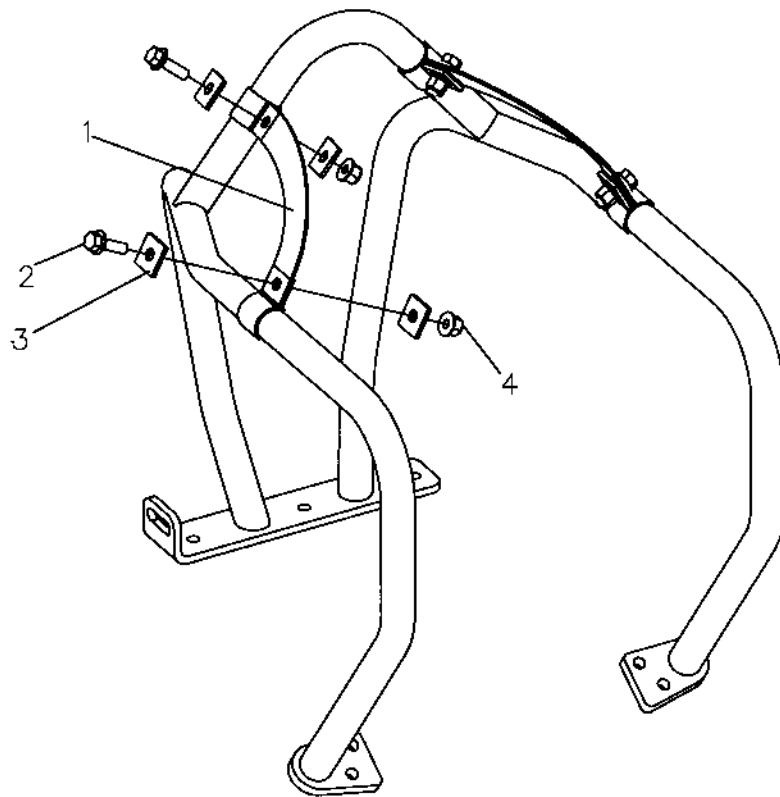


Block paving kit, width=500 mm Option

| Item | Part No | Rem Qty | Description | Code |
|-------------|----------------|----------------|--------------------|----------------|
| 1 | 4700394046 | 1 | Polyurethane plate | |
| 2 | 4700394047 | 1 | Bracket | |
| 3 | 4700570102 | 3 | Nut | M8 |
| 4 | 4700500026 | 2 | Screw | M8-1,25x60 8,8 |
| 5 | 4700500096 | 1 | Screw | |
| 6 | 4700904556 | 3 | Washer | 8,4x16x3,0 |

Fork lifting device Option

18753



Fork lifting device Option

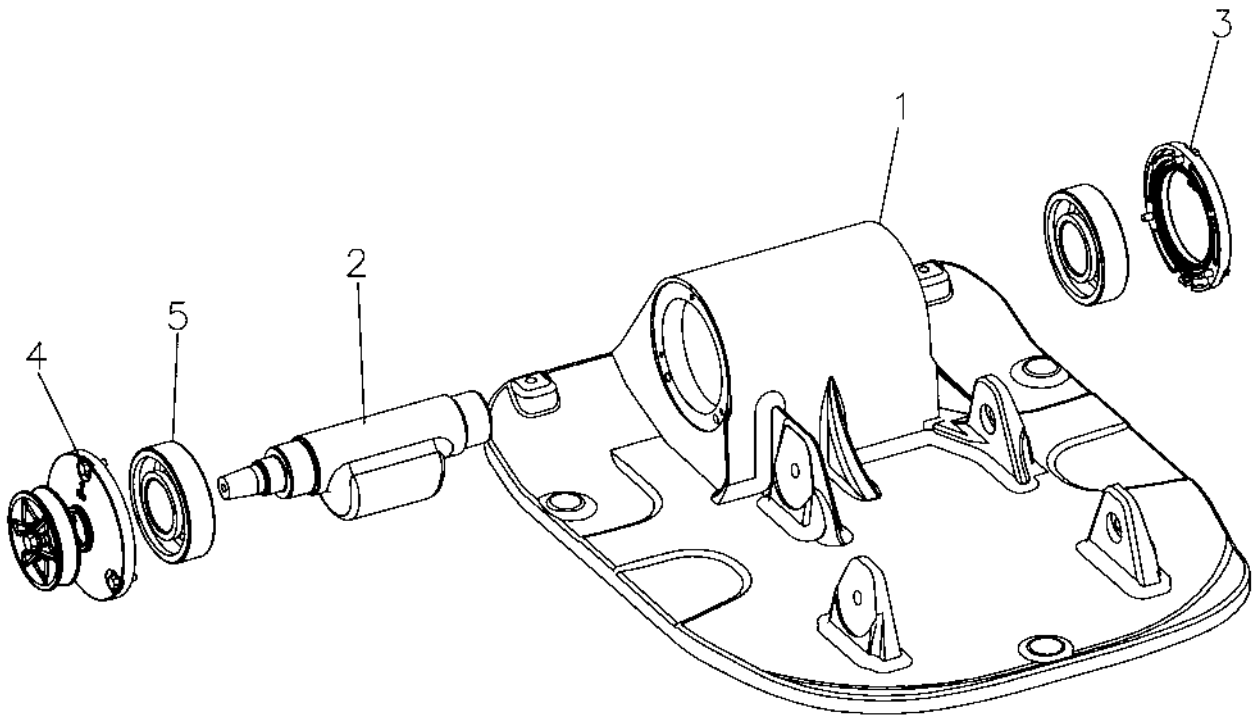
| Item | Part No | Rem Qty | Description | Code |
|------|------------|---------|-------------|------|
| 1 | 4700396194 | 2 | Lifting eye | |
| 2 | 4700902041 | 4 | Screw | |
| 3 | 4700615103 | 8 | Screw | |
| 4 | 4700902286 | 4 | Lock nut | M8 |

Eccentric element

| Item | Part No | Rem Qty | Description | Code |
|-------------|----------------|----------------|-------------------------------|-------------|
| 1 | | 1 | Eccentric element (Page 38) | |
| 2 | | 1 | Cover, right side (Page 40) | |
| 3 | | 1 | Cover, left side (Page 42) | |

Eccentric element

18633-1

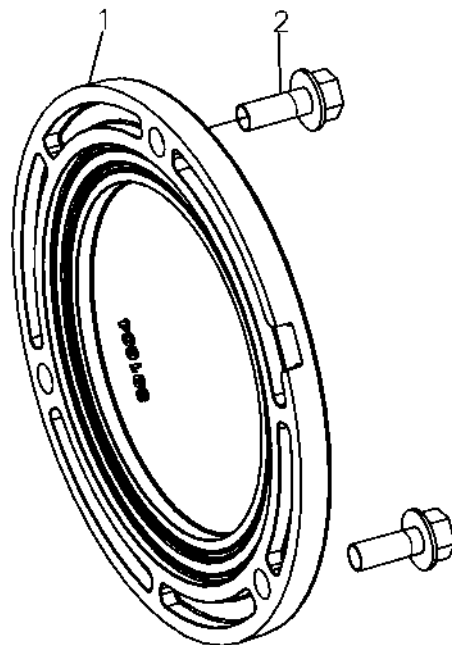


Eccentric element

| Item | Part No | Rem Qty | Description | Code |
|-------------|----------------|----------------|-------------------------------|-------------|
| 1 | D392214-03 | 1 | Ground plate | |
| 2 | 4700397510 | 1 | Eccentric shaft | |
| 3 | | 1 | Cover, right side (Page 40) | |
| 4 | | 1 | Cover, left side (Page 42) | |
| 5 | 4700792711 | 2 | Ball bearing | |

Cover, right side

18602-1

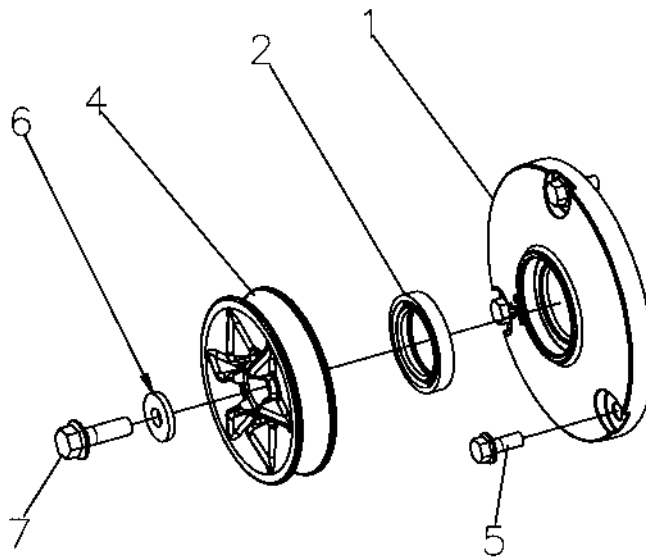


Cover, right side

| Item | Part No | Rem Qty | Description | Code |
|------|------------|---------|-------------|------|
| 1 | 4700396549 | 1 | Cover | |
| 2 | 4700792119 | 3 | Screw | |
| | | 1 | | |

Cover, left side

18601-2

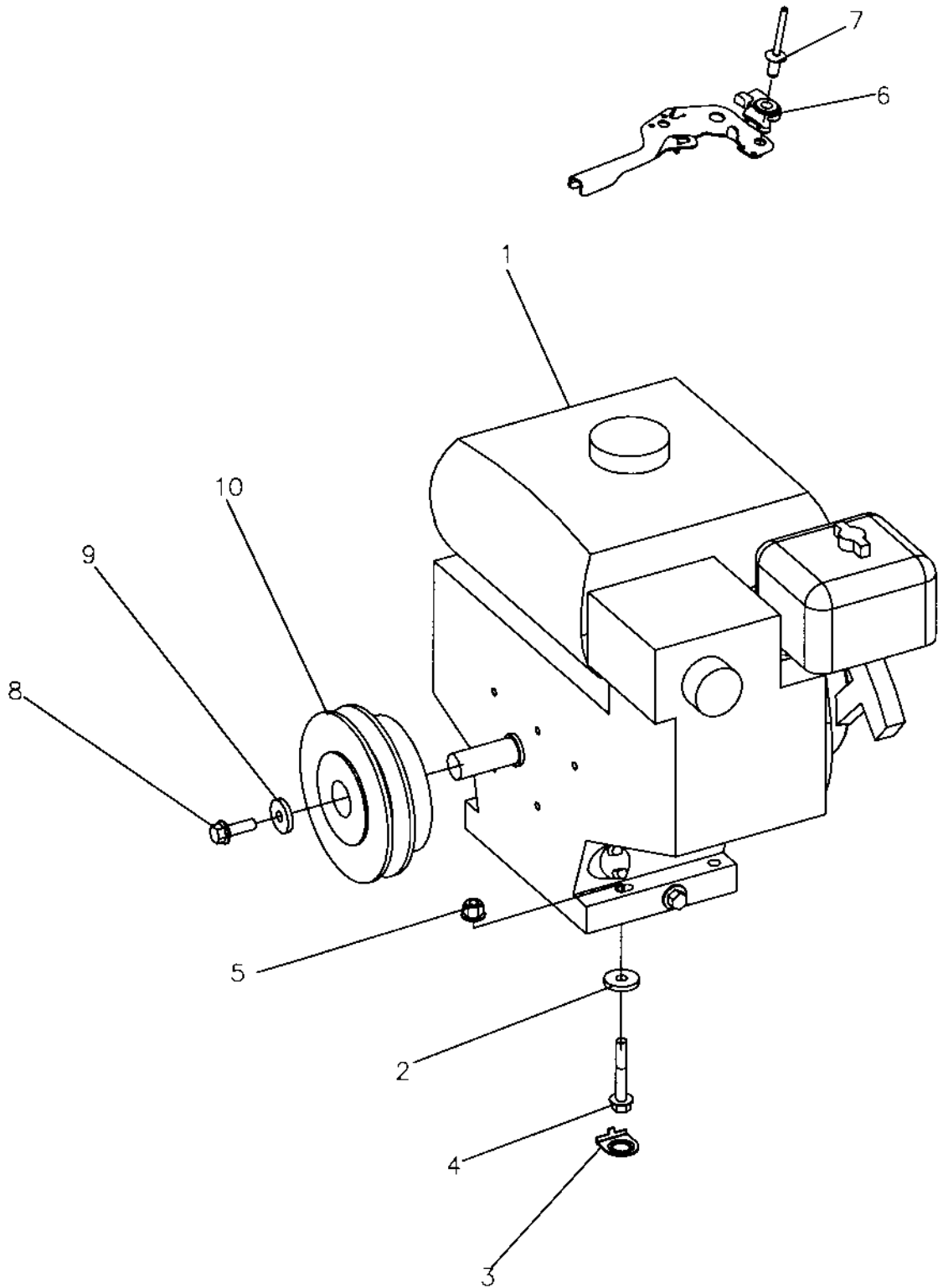


Cover, left side

| Item | Part No | Rem Qty | Description | Code |
|------|------------|---------|-------------------|----------|
| 1 | 4700396548 | 1 | Cover | |
| 2 | 4700163105 | 1 | Lip-type oil seal | |
| 4 | 4700395013 | 1 | V-belt pulley | |
| 5 | 4700792119 | 3 | Screw | |
| 6 | 4700904640 | 1 | Washer | 8,4x22x3 |
| 7 | 4700902041 | 1 | Screw | |

Engine and engine installation

| Item | Part No | Rem Qty | Description | Code |
|-------------|----------------|----------------|---------------------------------|-----------------|
| 10 | | 1 | Engine installation (Page 46) | |
| 30 | | 1 | Engine (Page 48) | Honda GX160K1SX |
| 50 | | 1 | Engine installation (Page 50) | Robin |
| 60 | | 1 | Engine (Page 52) | Robin EX17 |
| 70 | | 1 | Engine installation (Page 54) | Hatz |
| 80 | | 1 | Engine (Page 56) | Hatz 1B20 |

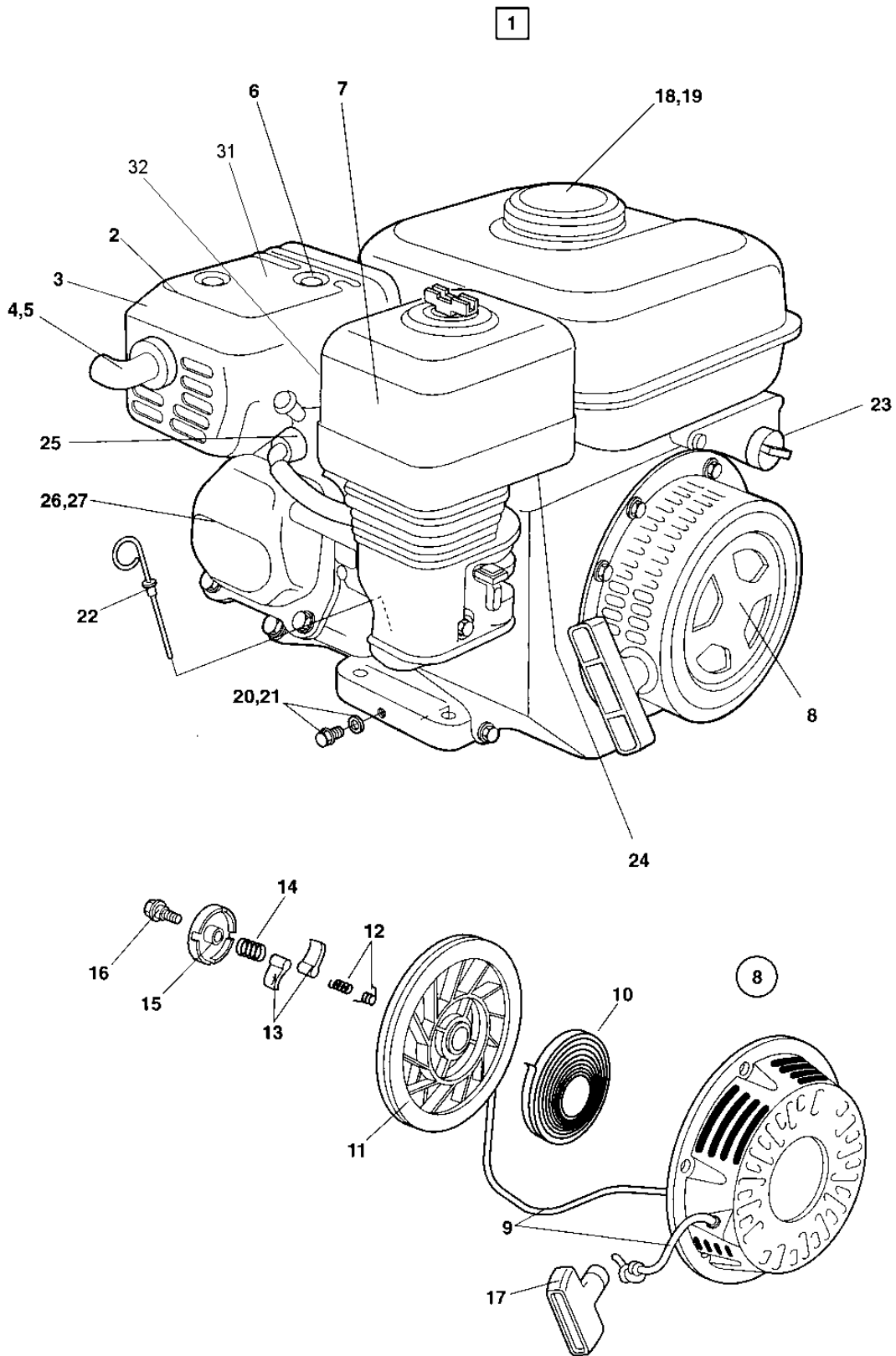


Engine installation

| Item | Part No | Rem Qty | Description | Code |
|-------------|----------------|----------------|--------------------|-----------------|
| 1 | | 1 | Engine (Page 48) | Honda GX160K1SX |
| 2 | 4700904734 | 4 | Washer | 8,4x26x4 |
| 3 | 4700393903 | 4 | Washer | |
| 4 | 4700500508 | 4 | Screw | |
| 5 | 4700902286 | 4 | Lock nut | M8 |
| 6 | 4700396126 | 1 | Stiffener | |
| 7 | 4700792774 | 1 | Blind rivet | |
| 8 | 4700902041 | 1 | Screw | |
| 9 | 4700904734 | 1 | Washer | 8,4x26x4 |
| 10 | 4700391706 | 1 | Centrifugal clutch | |

Engine Honda GX160K1SX

18619



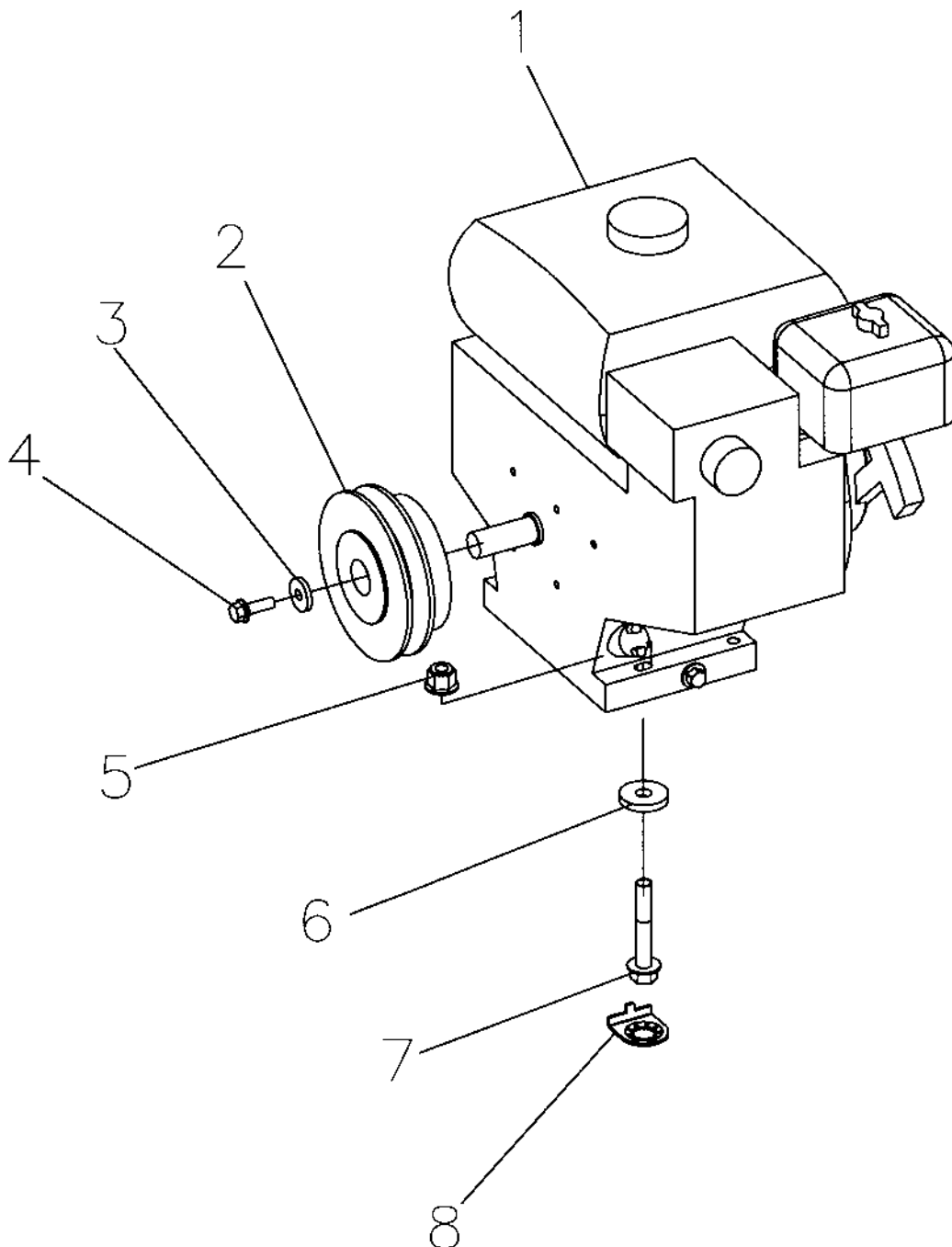
Engine Honda GX160K1SX

| Item | Part No | Rem | Qty | Description | Code |
|------|------------|-----|-----|------------------------|------|
| 1 | 4700281125 | | 1 | Petrol engine | |
| 2 | 4700239059 | | 1 | .Muffler | |
| 3 | 4700239060 | | 1 | .Muffler cover, upper | |
| 4 | 4700239062 | | 1 | .Exhaust pipe | |
| 5 | 4700238322 | | 1 | .Arrester, spark | |
| 6 | 4700239063 | | 1 | .Gasket, muffler | |
| 7 | 4700239323 | | 1 | .Air filter, cpl | A |
| 8 | 4700239065 | | 1 | .Recoil starter, cpl | D |
| 9 | 4700239374 | | 1 | ..Starter rope | B |
| 10 | 4700239375 | | 1 | ..Spring | B |
| 11 | 4700239376 | | 1 | ..Reel | |
| 12 | 4700239377 | | 2 | ..Spring | |
| 13 | 4700239378 | | 2 | ..Ratchet | |
| 14 | 4700239379 | | 1 | ..Friction spring | |
| 15 | 4700239380 | | 1 | ..Guide | |
| 16 | 4700239381 | | 1 | ..Screw | |
| 17 | 4700239391 | | 1 | ..Handle | B |
| 18 | 4700239321 | | 1 | .Fuel tank | |
| 19 | 4700239324 | | 1 | .Fuel tank cap | D |
| 20 | 4700238302 | | 2 | .Oil plug | D |
| 21 | 4700238303 | | 2 | .Gasket | D |
| 22 | 4700238306 | | 1 | .Oil plug | D |
| 23 | 4700239067 | | 1 | .Oil alert | |
| 24 | 4700239325 | | 1 | .Carburettor | |
| 25 | 4700924842 | | 1 | .Spark plug | |
| 26 | 4700238301 | | 1 | .Gasket | D |
| 27 | 4700239664 | | 1 | .Gasket, cylinder head | D |
| 32 | 4700573002 | D | 1 | Nut | M5 |

D) Locking nut for revolution screw

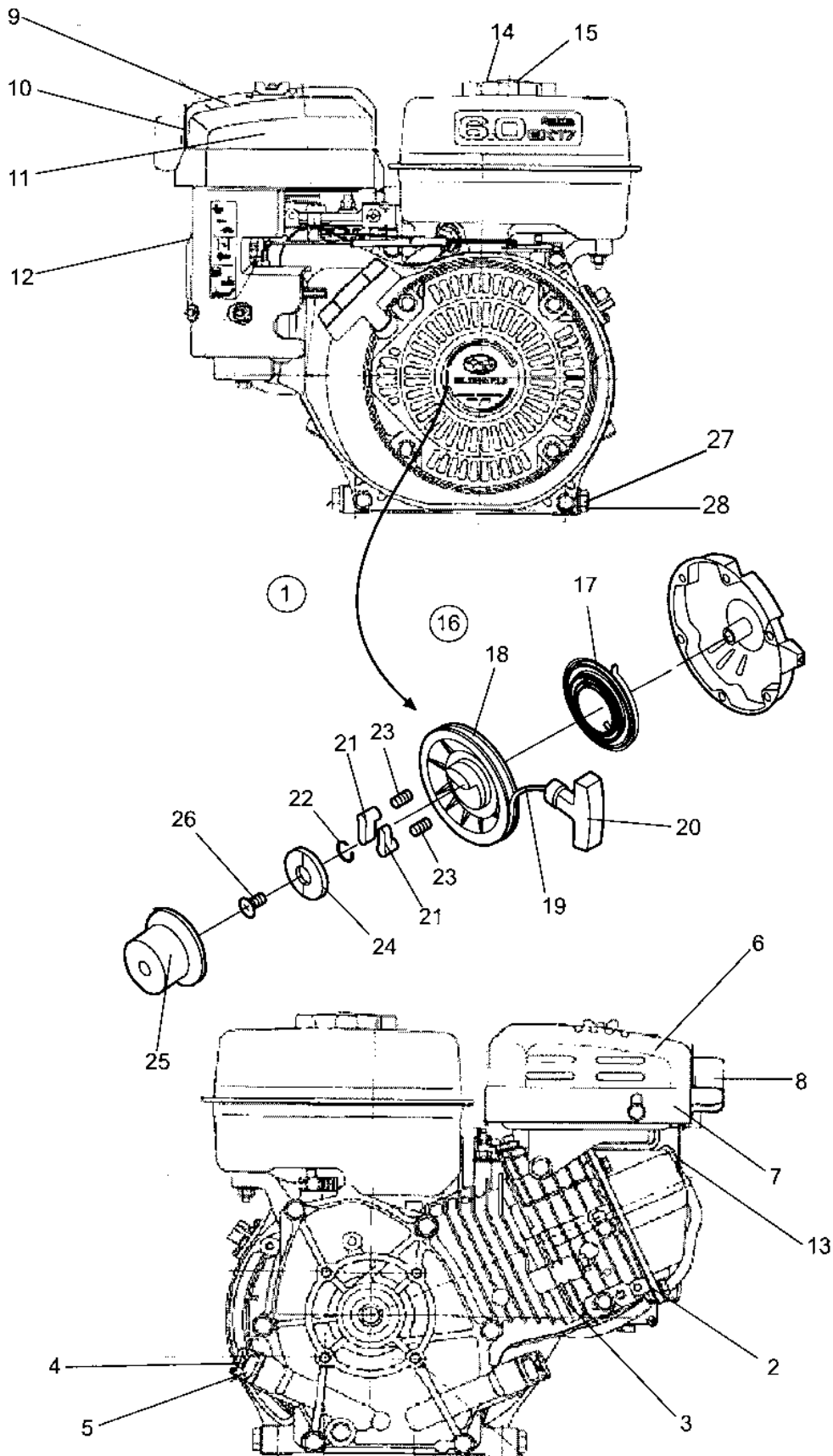
Engine installation Robin

18866



Engine installation Robin

| Item | Part No | Rem Qty | Description | Code |
|-------------|----------------|----------------|--------------------|-------------|
| 1 | | 1 | Engine (Page 52) | Robin EX17 |
| 2 | 4700391706 | | Centrifugal clutch | |
| 3 | 4700904734 | 1 | Washer | 8,4x26x4 |
| 4 | 4700902041 | 1 | Screw | |
| 5 | 4700902286 | 4 | Lock nut | M8 |
| 6 | 4700904734 | 4 | Washer | 8,4x26x4 |
| 7 | 4700500508 | 4 | Screw | |
| 8 | 4700393903 | 4 | Washer | |

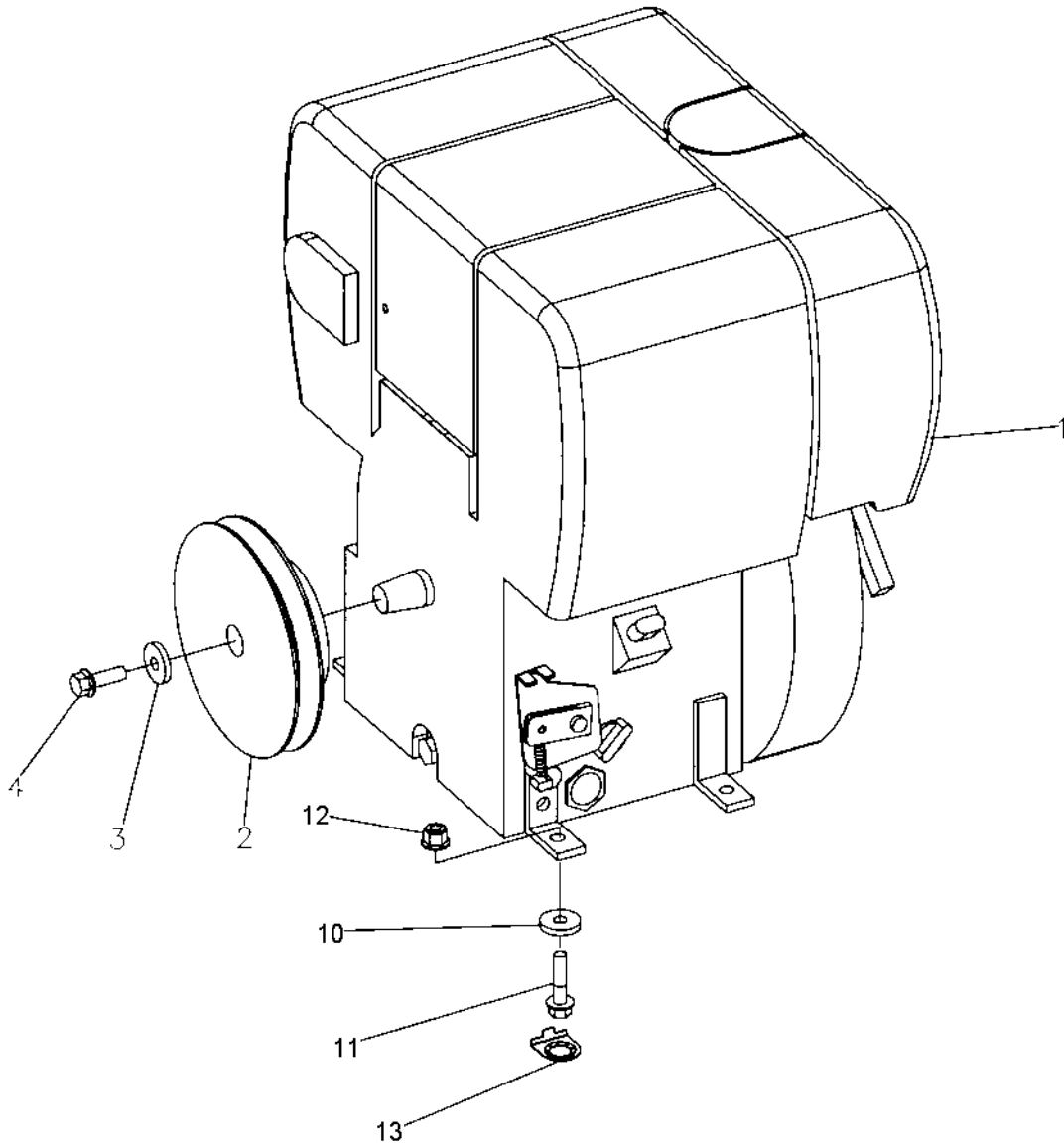


Engine Robin EX17

| Item | Part No | Rem Qty | Description | Code |
|-------------|----------------|----------------|-----------------------|-------------|
| 1 | 4700396168 | 1 | Engine, cpl | |
| 2 | 4700950535 | 1 | .Valve cover gasket | |
| 3 | 4700950536 | 1 | .Cylinder head gasket | |
| 4 | 4700950537 | 1 | .Oil dipstick | |
| 5 | 4700910267 | 1 | .O-ring | |
| 6 | 4700950538 | 1 | .Muffler | |
| 7 | 4700950539 | 1 | .Cover | |
| 8 | 4700950540 | 1 | .Deflector | |
| 9 | 4700950541 | 1 | .Air cleaner, cpl | |
| 10 | 4700950542 | 1 | .Air filter element | |
| 11 | 4700950543 | 1 | .Gasket | |
| 12 | 4700950544 | 1 | .Carburetor | |
| 13 | 4700950545 | 1 | .Spark plug | |
| 14 | 4700950546 | 1 | .Filler cap | |
| 15 | 4700950547 | 1 | .Strainer | |
| 16 | 4700950548 | 1 | .Recoil starter, cpl | |
| 17 | 4700950549 | 1 | ..Spring | |
| 18 | 4700950550 | 1 | ..Reel | |
| 19 | 4700950551 | 1 | ..Starter rope | |
| 20 | 4700950436 | 1 | ..Handle | |
| 21 | 4700950437 | 2 | ..Ratchet | |
| 22 | 4700239711 | 1 | ..Spring | |
| 23 | 4700239712 | 2 | ..Spring | B |
| 24 | 4700950439 | 1 | ..Guide | |
| 25 | 4700950552 | 1 | ..Holder | |
| 26 | 4700239715 | 1 | ..Screw | |
| 27 | 4700910268 | 1 | .Oil plug | |
| 28 | 4700910266 | 1 | .Gasket | |

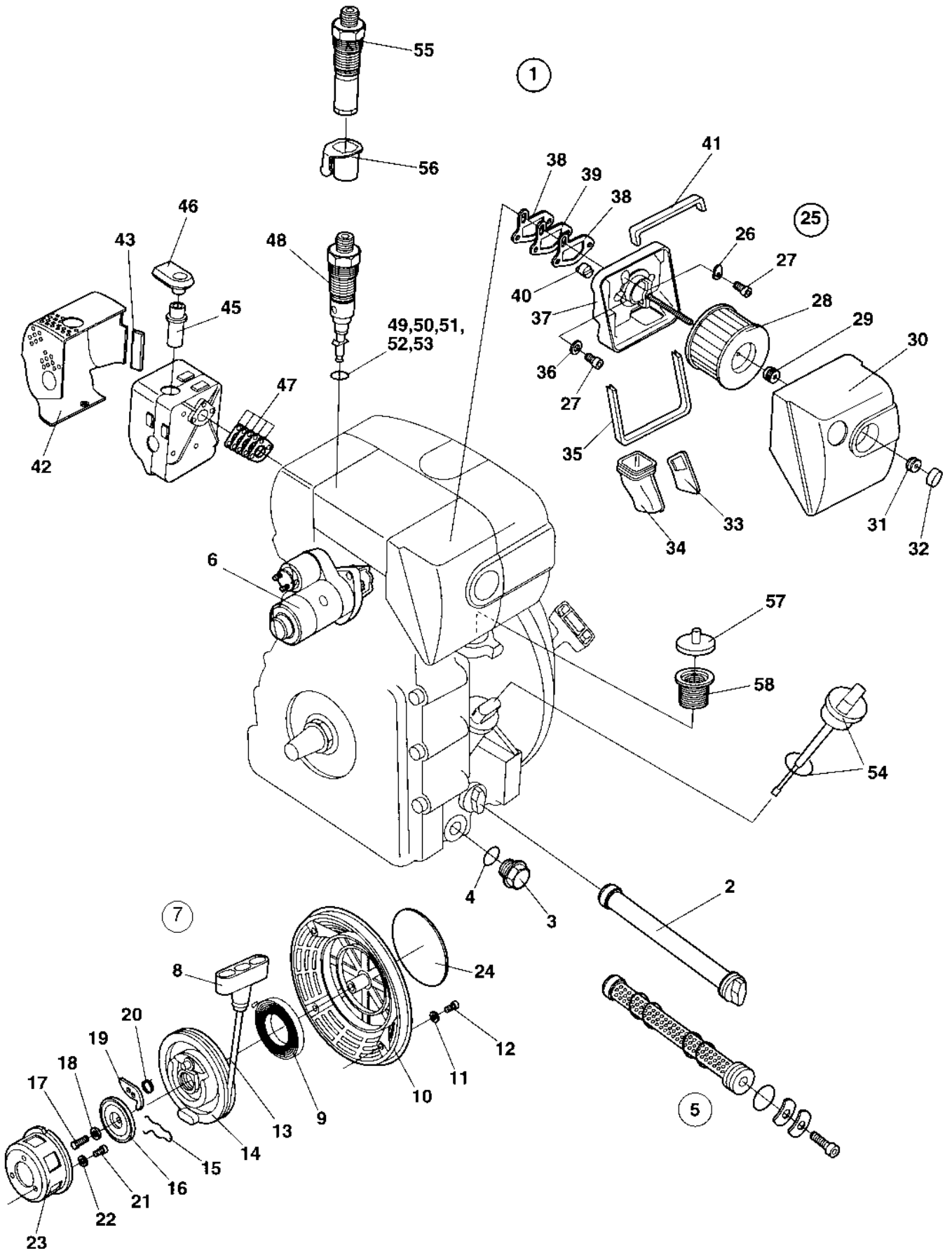
Engine installation Hatz

18632-1



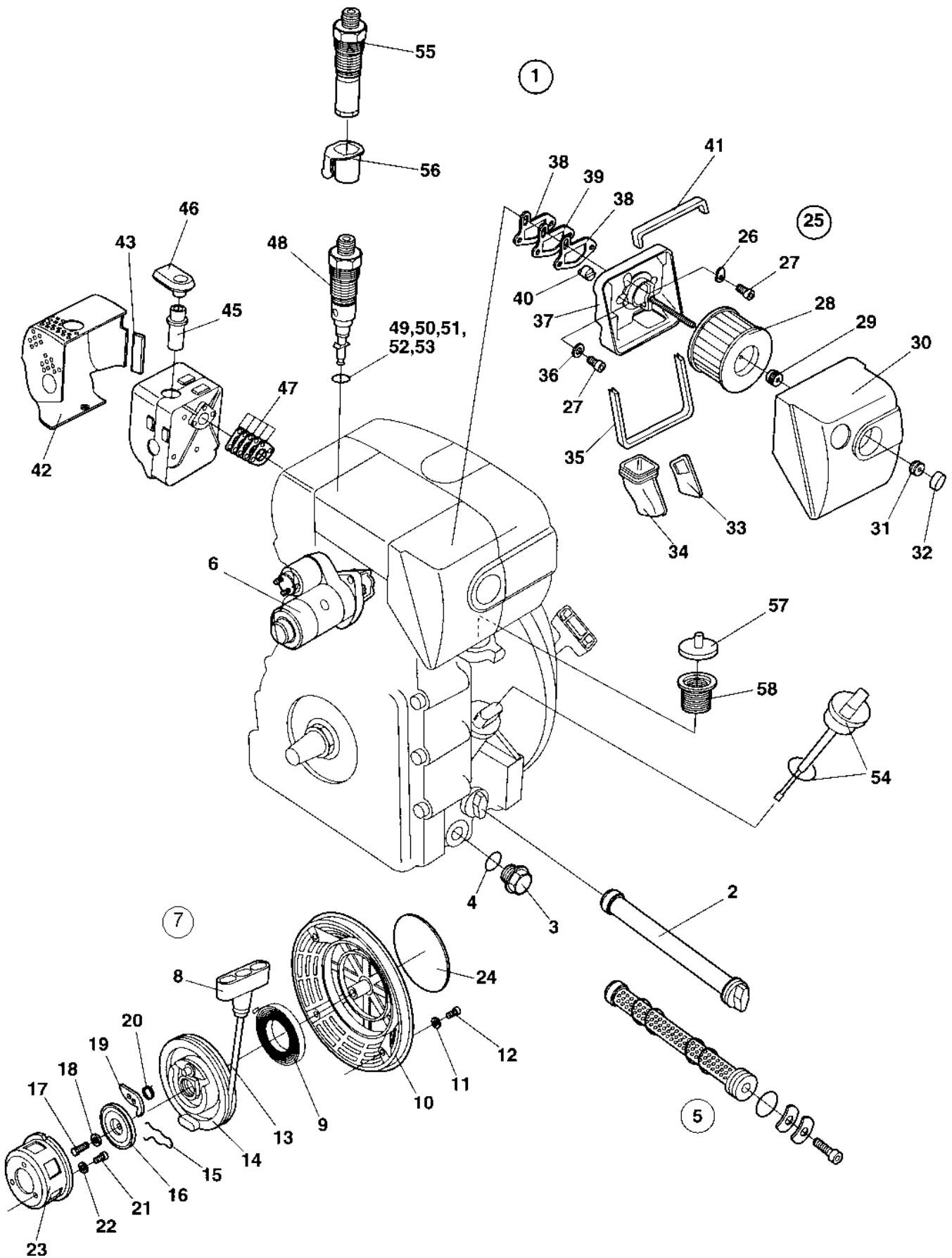
Engine installation Hatz

| Item | Part No | Rem Qty | Description | Code |
|-------------|----------------|----------------|--------------------|-------------|
| 1 | | 1 | Engine (Page 56) | Hatz 1B20 |
| 2 | 4700391705 | 1 | Clutch | |
| 3 | 4700904640 | 1 | Washer | 8,4x22x3 |
| 4 | 4700902041 | 1 | Screw | |
| 10 | 4700904734 | 4 | Washer | 8,4x26x4 |
| 11 | 4700902147 | 4 | Screw | |
| 12 | 4700902286 | 4 | Lock nut | M8 |
| 13 | 4700393903 | 4 | Washer | |



| Item | Part No | Rem | Qty | Description | Code |
|------|------------|-----|-----|----------------------|-----------|
| 1 | 4700379094 | | 1 | Engine, cpl | Hatz !B20 |
| 2 | | C | 1 | Oil strainer, cpl | |
| 3 | 4700938124 | | 1 | .Oil drain valve | D |
| 4 | 4700937003 | | 1 | .O-ring | B |
| 5 | 4700937001 | | 1 | .Oil strainer, cpl | |
| 6 | 4700936974 | | 1 | .Starter | |
| 7 | 4700936982 | | 1 | .Recoil starter, cpl | D |
| 8 | 4700936983 | | 1 | ..Knob | B |
| 9 | 4700936985 | | 1 | ..Spiral spring | B |
| 10 | 4700936986 | | 1 | ..Housing | |
| 11 | 4700936987 | | 4 | ..Washer | |
| 12 | 4700936988 | | 4 | ..Screw | |
| 13 | 4700936989 | | 1 | ..Rope | B |
| 14 | 4700936990 | | 1 | ..Reel | |
| 15 | 4700936991 | | 1 | ..Spring | B |
| 16 | 4700936992 | | 1 | ..Friction plate | |
| 17 | 4700936993 | | 1 | ..Screw | |
| 18 | 4700936994 | | 1 | ..Washer | |
| 19 | 4700936995 | | 1 | ..Ratchet | |
| 20 | 4700936996 | | 1 | ..O-ring | |
| 21 | 4700936997 | | 3 | .Screw | |
| 22 | 4700936998 | | 3 | .Washer | |
| 23 | 4700936999 | | 1 | .Starter pulley | |
| 24 | 4700937000 | | 1 | .Decal | |
| 25 | 4700938135 | | 1 | .Air cleaner, cpl | |
| 26 | 4700937011 | | 1 | ..Washer | |
| 27 | 4700937012 | | 3 | ..Screw | |
| 28 | 4700937013 | | 1 | ..Filter element | A |
| 29 | 4700937014 | | 1 | ..Nut | |
| 30 | 4700937015 | | 1 | ..Protecting cover | |
| 31 | 4700937016 | | 1 | ..Rubber sleeve | |
| 32 | 4700937017 | | 1 | ..Nut | |
| 33 | 4700937018 | | 1 | ..Plate | |
| 34 | 4700937019 | | 1 | ..Rubber hose | |
| 35 | 4700937020 | | 1 | ..Edge trim | |
| 36 | 4700936910 | | 2 | ..Washer | |
| 37 | 4700937021 | | 1 | ..Air filter house | |
| 38 | 4700937022 | | 2 | ..Gasket | |
| 39 | 4700937023 | | 1 | ..Gasket | |
| 40 | 4700937024 | | 1 | ..Vent nipple | |
| 41 | 4700937010 | | 1 | ..Edge trim | |
| 42 | 4700937007 | | 1 | .Protecting cover | |
| 43 | 4700937008 | | 1 | ..Edge trim | |
| 44 | 4700937009 | | 1 | .Muffler | |
| 45 | 4700937005 | A | 1 | ..Exhaust tube | |
| | | B | 1 | ..Exhaust pipe | |
| 46 | 4700937004 | | 1 | ..Exhaust pipe | |
| 47 | 4700937006 | | 5 | ..Gasket | |
| 48 | 4700936976 | | 1 | .Injection pump cpl | D |
| 49 | 4700936977 | | 1 | ..O-ring | 0,2 mm |
| 50 | 4700936978 | | 1 | ..O-ring | 0,3 mm |
| 51 | 4700936979 | | 1 | ..O-ring | 0,4 mm |
| 52 | 4700936980 | | 1 | ..O-ring | 0,5 mm |
| 53 | 4700936981 | | 1 | ..O-ring | 0,6 mm |
| 54 | 4700937608 | | 1 | .Oil dipstick | |
| 55 | 4700937607 | | 1 | .Nozzle | |
| 56 | 4700937606 | | 1 | .Sleeve | |

- A) Old version
- B) New version
- C) Old version replaced by item 5



Engine Hatz 1B20

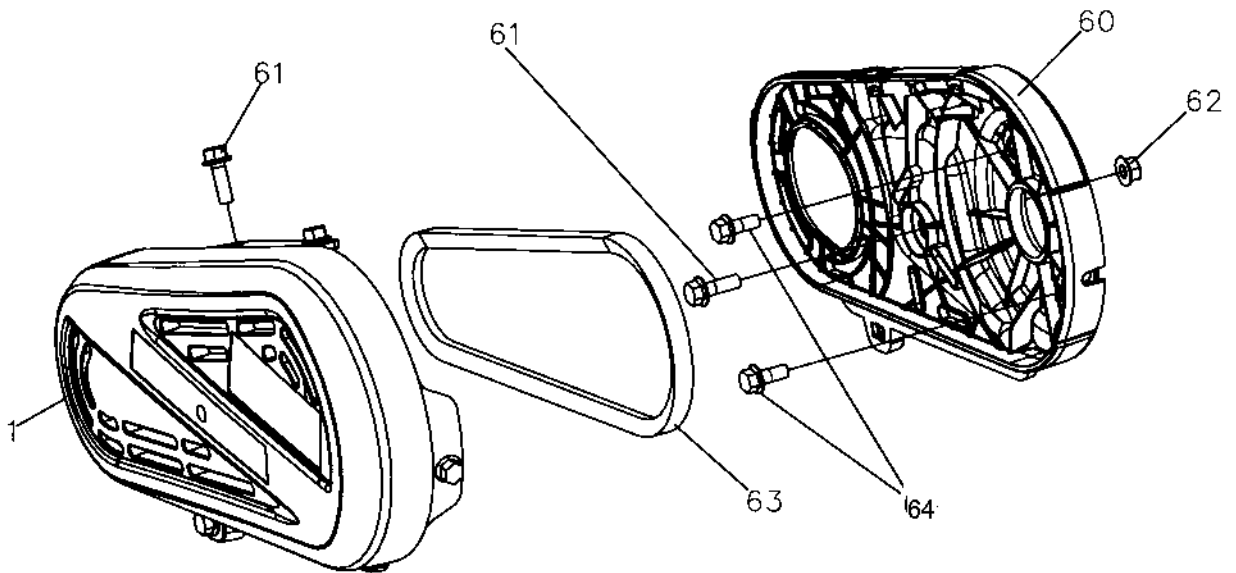
| Item | Part No | Rem Qty | Description | Code |
|------|------------|---------|---------------------|------|
| 57 | 4700937604 | 1 | .Lock | |
| 58 | 4700937605 | 1 | .Socket | |
| 59 | 4700937904 | 1 | .Speed control, cpl | |

Power transmission

| Item | Part No | Rem Qty | Description | Code |
|-------------|----------------|----------------|---|-------------|
| 10 | | 1 | Transmission cover Honda, Robin (Page 62) | |
| 20 | | 1 | Transmission cover (Page 64) | Hatz |

Transmission cover Honda, Robin

18604-1

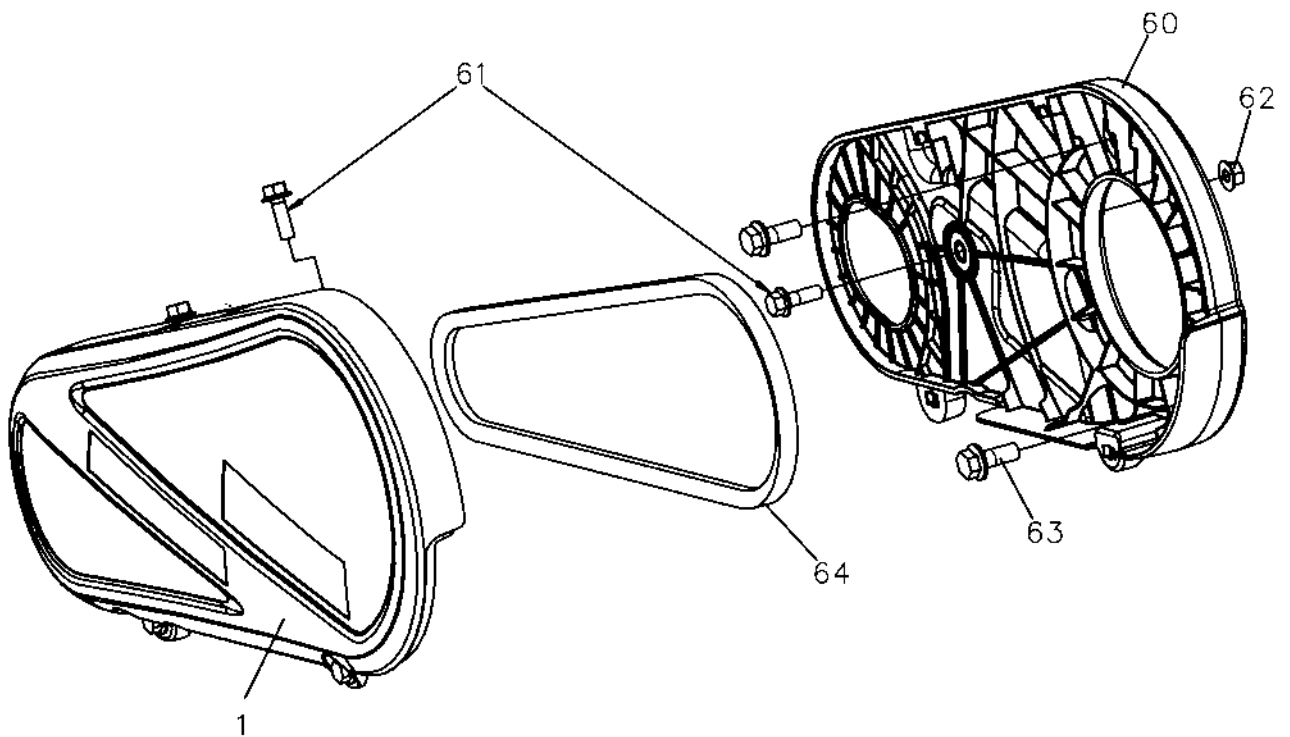


Transmission cover Honda, Robin

| Item | Part No | Rem Qty | Description | Code |
|-------------|----------------|----------------|---------------------|-------------|
| 1 | D392862-02 | 1 | V-belt guard, outer | |
| 60 | 4700393325 | 1 | Belt guard, inner | |
| 61 | 4700902041 | 7 | Screw | |
| 62 | 4700570102 | 1 | Nut | M8 |
| 63 | 4700395658 | 1 | V-belt | |

Transmission cover Hatz

18630-1



Transmission cover Hatz

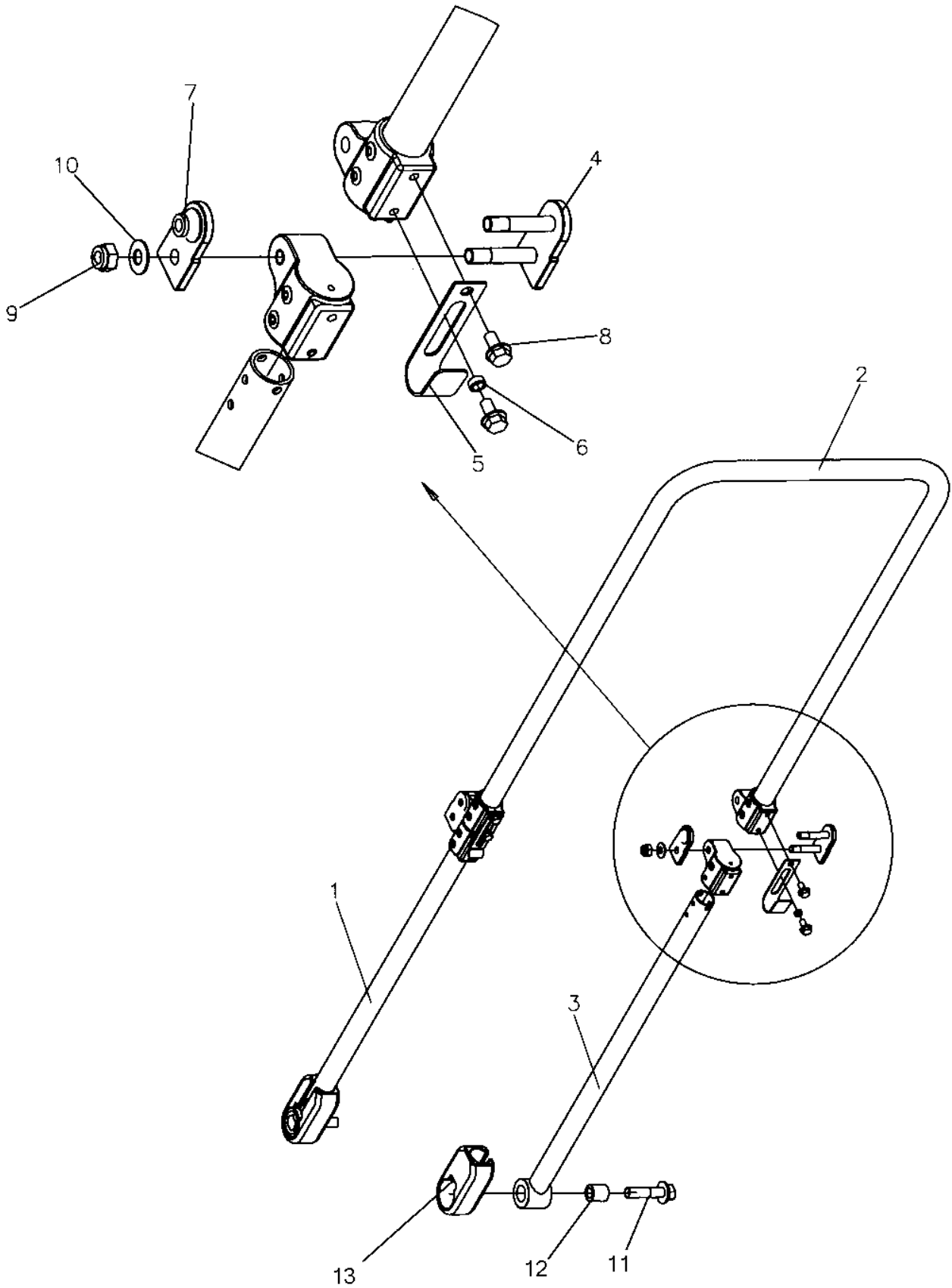
| Item | Part No | Rem Qty | Description | Code |
|-------------|----------------|----------------|--------------------|-------------|
| 1 | D393842-02 | 1 | Belt guard, outer | |
| 60 | 4700393841 | 1 | Belt guard, inner | |
| 61 | 4700902041 | 5 | Screw | |
| 62 | 4700570102 | 1 | Nut | M8 |
| 63 | 4700500509 | 2 | Screw | |
| 64 | 4700395659 | 1 | V-belt | |

Handle

| Item | Part No | Rem Qty | Description | Code |
|-------------|----------------|----------------|-------------------------------------|-------------|
| 10 | | 1 | Handle (Page 68) | Standard |
| 20 | | 1 | Vibration damped handle (Page 70) | Option |

Handle Standard

18612-2

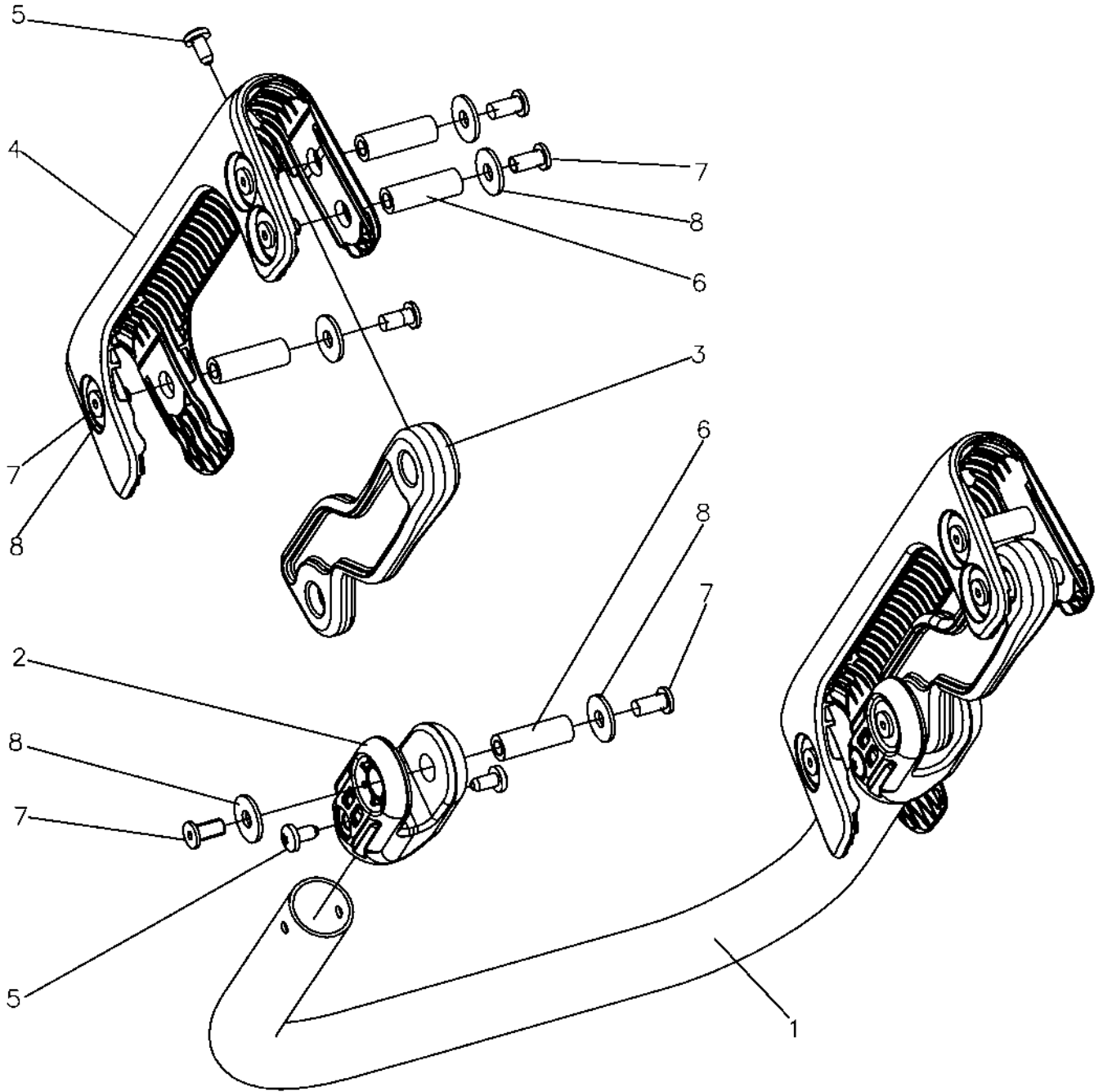


Handle Standard

| Item | Part No | Rem Qty | Description | Code |
|-------------|----------------|----------------|--------------------|-------------|
| 1 | D396311-03 | 1 | Handle, lower part | |
| 2 | D396312-03 | 1 | Handle, lower part | |
| 3 | D396313-03 | 1 | Handle, upper part | |
| 4 | 4700393220 | 2 | Link | |
| 5 | 4700394029 | 2 | Cover | |
| 6 | 4700394145 | 2 | Spacer sleeve | |
| 7 | 4700394228 | 2 | Washer | |
| 8 | 4700541702 | 4 | Screw | M6x12 |
| 9 | 4700791182 | 4 | Lock nut | M8 |
| 10 | 4700792497 | 4 | Disc spring | |
| 11 | 4700901928 | 2 | Screw | |
| 12 | 4700391821 | 2 | Sleeve bearing | |
| 13 | 4700391822 | 2 | Shock absorber | |

Vibration damped handle Option

18598-1



Vibration damped handle Option

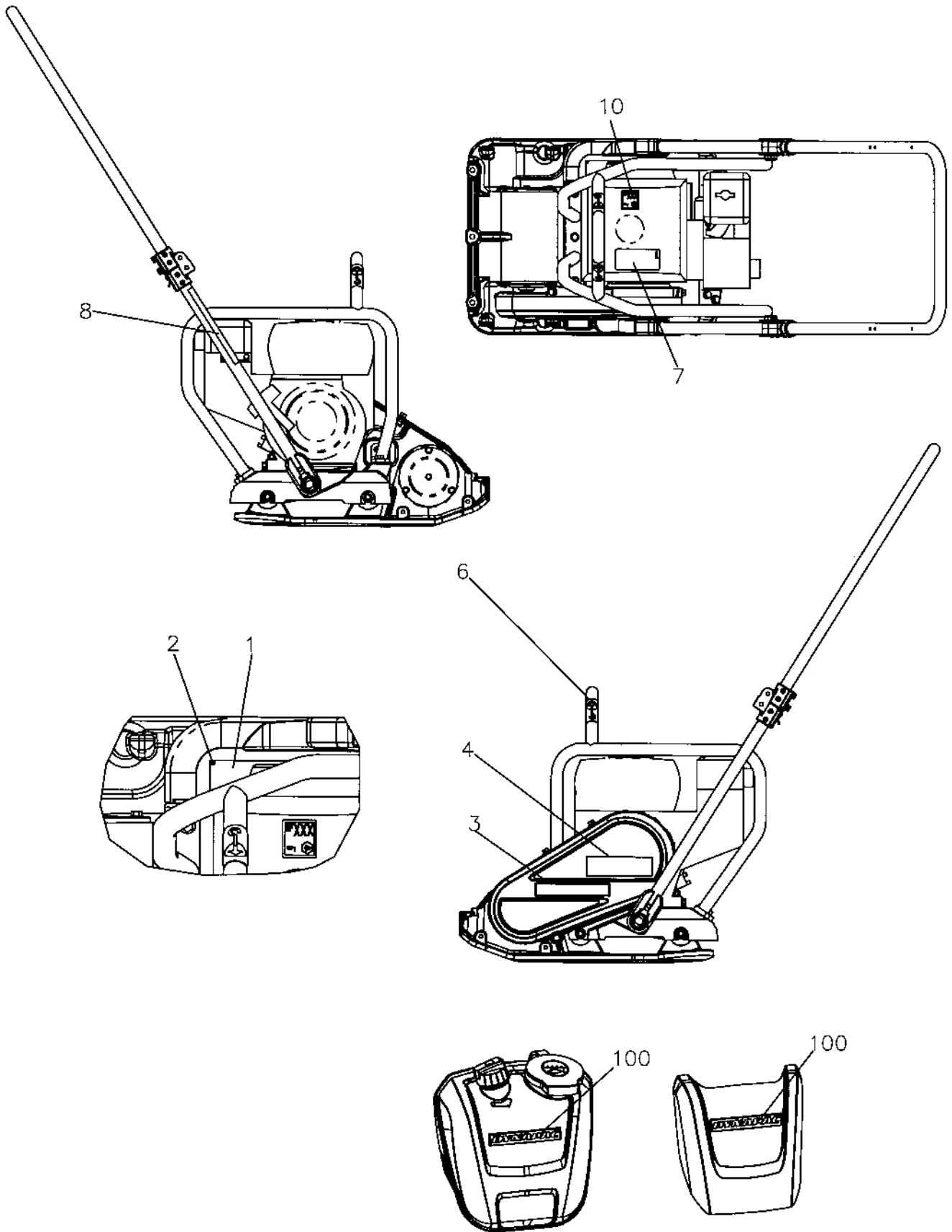
| Item | Part No | Rem Qty | Description | Code |
|-------------|----------------|----------------|--------------------|-------------|
| 1 | 4700391826 | 1 | Handle | |
| 2 | 4700393079 | 2 | Bracket | |
| 3 | 4700391824 | 2 | Shock absorber | |
| 4 | 4700393078 | 2 | Bracket | |
| 5 | 4700792496 | 8 | Screw | |
| 6 | 4700792406 | 8 | Screw | |
| 7 | 4700792784 | 16 | Screw | |
| 8 | 4700792783 | 16 | Washer | |

Decals and documentation

| Item | Part No | Rem Qty | Description | Code |
|-------------|----------------|----------------|--------------------------------------|-------------|
| 10 | | 1 | Decals and documentation (Page 74) | |

Decals and documentation

18755



Decals and documentation

| Item | Part No | Rem Qty | Description | Code |
|-------------|----------------|----------------|---------------------------|-------------|
| 1 | | 1 | Sign plate | |
| 2 | 4700527001 | 4 | Screw | |
| 3 | 4700393622 | 1 | Decal "DYNAPAC" | |
| 4 | 4700397431 | 1 | Decal "MODEL CODE" | |
| 6 | 4700281269 | 2 | Decal "LIFT" | |
| 7 | 4700394708 | 1 | Assembly decal | |
| 8 | 4700394704 | 1 | Decal | |
| 10 | 4700791293 | 1 | Decal "Sound power level" | 105dB |
| 12 | | | Documentation | |
| | | 1 | Instruction book, engine | |
| | | 1 | Spare parts catalogue | |
| | | 1 | Instruction manual | |
| 100 | 4700393622 | 1 | Decal "DYNAPAC" | |

NUMERICAL INDEX

| Part Number | Page | Part Number | Page | Part Number | Page |
|-------------|----------|-------------|----------------|-------------|------|
| 4700163105 | 43 | 4700395013 | 43 | 4700936910 | 57 |
| 4700238301 | 49 | 4700395018 | 19 | 4700936974 | 57 |
| 4700238302 | 49 | 4700395020 | 19 | 4700936976 | 57 |
| 4700238303 | 49 | 4700395658 | 63 | 4700936977 | 57 |
| 4700238306 | 49 | 4700395659 | 65 | 4700936978 | 57 |
| 4700238322 | 49 | 4700396126 | 47 | 4700936979 | 57 |
| 4700239059 | 49 | 4700396168 | 53 | 4700936980 | 57 |
| 4700239060 | 49 | 4700396177 | 31 | 4700936981 | 57 |
| 4700239062 | 49 | 4700396180 | 31 | 4700936982 | 57 |
| 4700239063 | 49 | 4700396194 | 35 | 4700936983 | 57 |
| 4700239065 | 49 | 4700396548 | 43 | 4700936985 | 57 |
| 4700239067 | 49 | 4700396549 | 41 | 4700936986 | 57 |
| 4700239321 | 49 | 4700397431 | 75 | 4700936987 | 57 |
| 4700239323 | 49 | 4700397510 | 39 | 4700936988 | 57 |
| 4700239324 | 49 | 4700500013 | 31 | 4700936989 | 57 |
| 4700239325 | 49 | 4700500018 | 27 | 4700936990 | 57 |
| 4700239374 | 49 | 4700500021 | 31 | 4700936991 | 57 |
| 4700239375 | 49 | 4700500024 | 31 | 4700936992 | 57 |
| 4700239376 | 49 | 4700500026 | 33 | 4700936993 | 57 |
| 4700239377 | 49 | 4700500067 | 31 | 4700936994 | 57 |
| 4700239378 | 49 | 4700500096 | 33 | 4700936995 | 57 |
| 4700239379 | 49 | 4700500503 | 27 | 4700936996 | 57 |
| 4700239380 | 49 | 4700500505 | 19,25 | 4700936997 | 57 |
| 4700239381 | 49 | 4700500506 | 25,27 | 4700936998 | 57 |
| 4700239391 | 49 | 4700500508 | 29,47,51 | 4700936999 | 57 |
| 4700239664 | 49 | 4700500509 | 65 | 4700937000 | 57 |
| 4700239711 | 53 | 4700527001 | 75 | 4700937001 | 57 |
| 4700239712 | 53 | 4700541702 | 69 | 4700937003 | 57 |
| 4700239715 | 53 | 4700570102 | 33,63,65 | 4700937004 | 57 |
| 4700281125 | 49 | 4700570103 | 13 | 4700937005 | 57 |
| 4700281269 | 15,17,75 | 4700573002 | 49 | 4700937006 | 57 |
| 4700282373 | 13 | 4700601003 | 27,31 | 4700937007 | 57 |
| 4700379094 | 57 | 4700615103 | 35 | 4700937008 | 57 |
| 4700383582 | 27 | 4700791182 | 31,69 | 4700937009 | 57 |
| 4700391705 | 55 | 4700791293 | 75 | 4700937010 | 57 |
| 4700391706 | 47,51 | 4700792119 | 41,43 | 4700937011 | 57 |
| 4700391821 | 69 | 4700792406 | 71 | 4700937012 | 57 |
| 4700391822 | 69 | 4700792496 | 71 | 4700937013 | 57 |
| 4700391824 | 71 | 4700792497 | 69 | 4700937014 | 57 |
| 4700391826 | 71 | 4700792711 | 39 | 4700937015 | 57 |
| 4700392073 | 31 | 4700792725 | 9 | 4700937016 | 57 |
| 4700392092 | 31 | 4700792774 | 47 | 4700937017 | 57 |
| 4700393020 | 31 | 4700792783 | 71 | 4700937018 | 57 |
| 4700393078 | 71 | 4700792784 | 71 | 4700937019 | 57 |
| 4700393079 | 71 | 4700792804 | 31 | 4700937020 | 57 |
| 4700393220 | 69 | 4700901928 | 69 | 4700937021 | 57 |
| 4700393325 | 63 | 4700902041 | 15,17,21,23,35 | 4700937022 | 57 |
| 4700393381 | 31 | | 43,47,51,55,63 | 4700937023 | 57 |
| 4700393622 | 75 | | 65 | 4700937024 | 57 |
| 4700393841 | 65 | 4700902147 | 55 | 4700937604 | 57 |
| 4700393903 | 47,51,55 | 4700902285 | 27 | 4700937605 | 59 |
| 4700393987 | 27 | 4700902286 | 27,31,35,47,51 | 4700937606 | 57 |
| 4700393989 | 27 | | 55 | 4700937607 | 57 |
| 4700393990 | 27 | 4700904229 | 31 | 4700937608 | 57 |
| 4700394029 | 69 | 4700904556 | 33 | 4700937904 | 59 |
| 4700394046 | 33 | 4700904640 | 43,55 | 4700938124 | 57 |
| 4700394047 | 33 | 4700904734 | 47,51,55 | 4700938135 | 57 |
| 4700394103 | 27 | 4700910266 | 53 | 4700950436 | 53 |
| 4700394145 | 69 | 4700910267 | 53 | 4700950437 | 53 |
| 4700394228 | 69 | 4700910268 | 53 | 4700950439 | 53 |
| 4700394704 | 75 | 4700924842 | 49 | 4700950535 | 53 |
| 4700394708 | 75 | 4700928381 | 31 | 4700950536 | 53 |

NUMERICAL INDEX

| Part Number | Page | Part Number | Page | Part Number | Page |
|-------------|------|-------------|------|-------------|------|
| 4700950537 | 53 | | | | |
| 4700950538 | 53 | | | | |
| 4700950539 | 53 | | | | |
| 4700950540 | 53 | | | | |
| 4700950541 | 53 | | | | |
| 4700950542 | 53 | | | | |
| 4700950543 | 53 | | | | |
| 4700950544 | 53 | | | | |
| 4700950545 | 53 | | | | |
| 4700950546 | 53 | | | | |
| 4700950547 | 53 | | | | |
| 4700950548 | 53 | | | | |
| 4700950549 | 53 | | | | |
| 4700950550 | 53 | | | | |
| 4700950551 | 53 | | | | |
| 4700950552 | 53 | | | | |
| 4812070085 | 29 | | | | |
| D392214-03 | 39 | | | | |
| D392815-02 | 31 | | | | |
| D392862-02 | 63 | | | | |
| D392920-03 | 15 | | | | |
| D393040-02 | 7 | | | | |
| D393041-02 | 7 | | | | |
| D393458-01 | 11 | | | | |
| D393483-03 | 17 | | | | |
| D393823-01 | 9 | | | | |
| D393842-02 | 65 | | | | |
| D396311-03 | 69 | | | | |
| D396312-03 | 69 | | | | |
| D396313-03 | 69 | | | | |
| D396963-03 | 21 | | | | |
| D396964-03 | 23 | | | | |