

TRAILER-MOUNTED BOOMS



3522 A - 3632 T
4527 A - 5533 A

Access on the move:

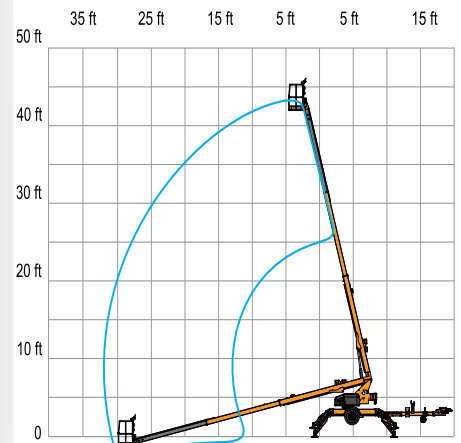
- Hydraulic outriggers and automatic leveling allow operation in under 30 seconds
- Superior combination of industry leading capacity and outreach
- Can be towed by a standard half-ton pickup truck - No commercial driver's license needed

Exceptional productivity

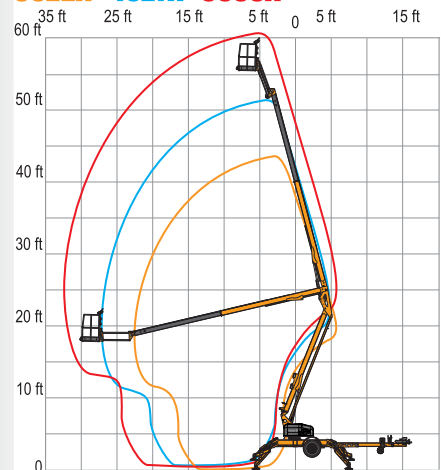
- Air / water lines and 110V GFI protected power to the platform



3632T



3522A 4527A 5533A



Haulotte 
GROUP

More than lifting

www.haulotte-usa.com



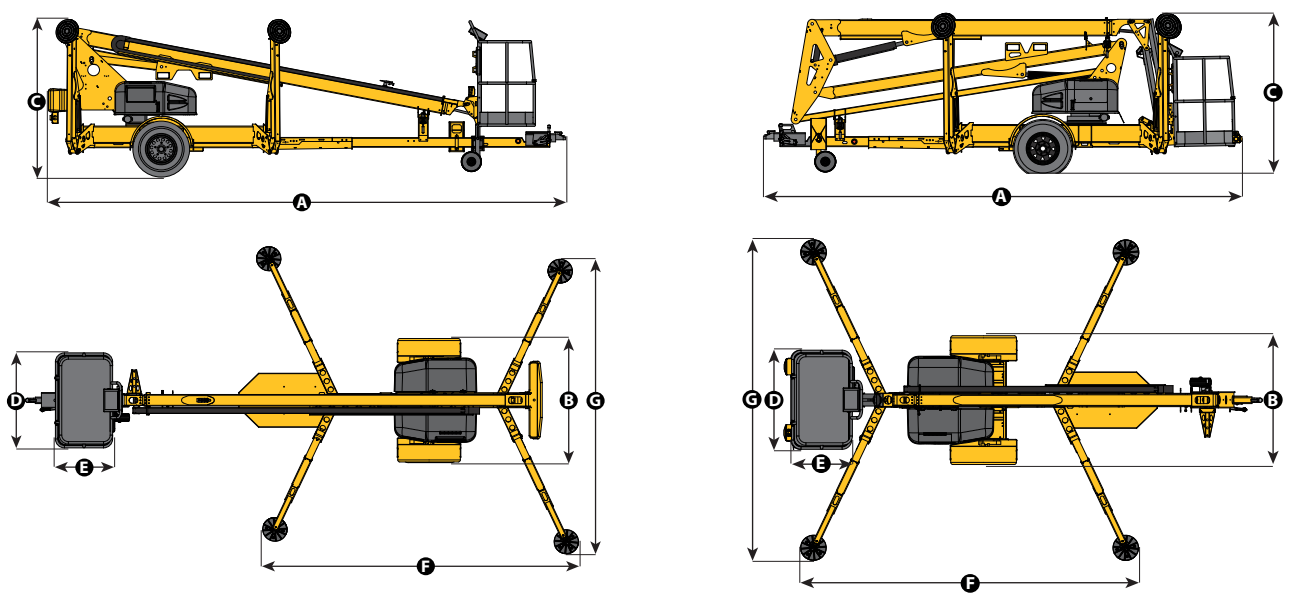
3522 A - 3632 T - 4527 A - 5533 A

TRAILER-MOUNTED BOOMS

TECHNICAL DATA	3522 A	3632 T	4527 A	5533 A	STANDARD EQUIPMENT
Working height	41 ft 9 in	43 ft 6 in	51 ft	61 ft 3 in	<ul style="list-style-type: none"> Hydraulic outriggers Tilt alarm/sensor Hour meter and battery condition indicator Automatic leveling system and self-leveling platform 110V GFI protected outlet to platform and base Easy to use controls Air and water line to platform Inboard 40 amp charger Integrated forklift pockets Hydraulic surge brakes
Platform height	35 ft 9 in	37 ft 6 in	45 ft	55 ft 3 in	
Horizontal outreach (from centerline)	22 ft 6 in	32 ft	27 ft	33 ft 5 in	
Horizontal outreach (from edge of footpad)	17 ft 5 in	27 ft	21 ft	27 ft 4 in	
Up and over height	19 ft	N/A	20 ft 9 in	23 ft 1 in	
Lift capacity	500 lb				
A - Length - stowed	16 ft 3 in	21 ft 11 in	19 ft 6 in	22 ft 11 in	
B - Width stowed		5 ft 6 in		5 ft 7 in	
C - Height stowed		6 ft 5 in		6 ft 6 in	
D x E - Platform size	4 ft x 2 ft 6 in				
F x G - Outrigger footprint	11 ft 1 in x 9 ft 11 in	12 ft 4 in x 11 ft 4 in		12 ft 11 in x 12 ft 9 in	
Turntable rotation	700° non-continuous				
Jib - length	4 ft 3 in	N/A	4 ft 3 in		
Jib - Vertical motion	150° (+70 / -80)	N/A	150° (+70 / -80)		
Tow speed rating	65 mph				
Gradeability	12.5%				
Leveling capability	12.5°				
Tire size	ST 225/75 R15D				
Power source	4 x 6 V 245 amp-hr				
Tongue weight (no options)	245 lb	200 lb	290 lb	335 lb	
Weight (no options)	3,400 lb	4,440 lb	4,200 lb	4,800 lb	

OPTIONS & ACCESSORIES

- Material lifting hook
- Spare tire and mounting kit
- DC / Gas hybrid
- Platform rotator (manual)
- Flashing beacon
- Flourescent tube caddy
- Combination hitch
- Tool tray



0205-0091 - Non contractual document - We reserve the right to modify the technical characteristics of this document without notice - 1/2013

