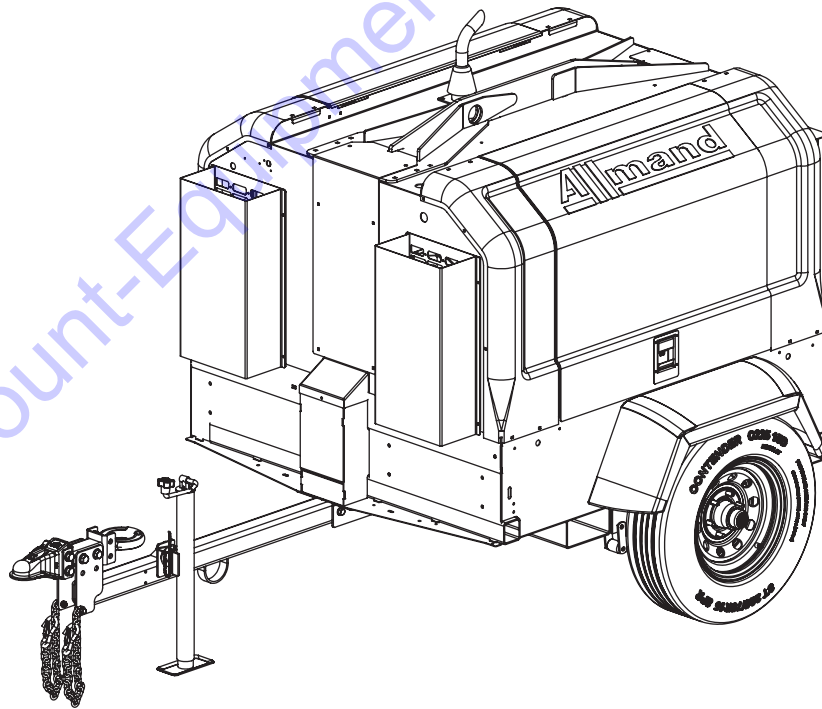


(en) **Operator's Manual**
MAXI-POWER™ 15XR Mobile Generator



(es) **Manual del operario**
Generador móvil MAXI-POWER™ 15XR

(fr) **Manuel d'utilisation**
Génératrice mobile MAXI-POWER™ 15XR



PARTS FINDER

**Search Website
by Part Number**



**Search Manual
Library For Parts
Manual & Lookup Part
Numbers – Purchase
or Request Quote**

Search Manuals

Enter your information to help us find the right parts manual for your machine.

* Brand:

* Model:

* Serial:

* Part Number:

SEARCH

**Can't Find Part or
Manual? Request Help
by Manufacturer,
Model & Description**

Parts Order Form

Please fill in the following information to help us find the right part for your machine.

Manufacturer:	<input type="text"/>
Model:	<input type="text"/>
Description:	<input type="text"/>
Part Number:	<input type="text"/>
Quantity:	<input type="text"/>
Notes:	<input type="text"/>

Submit

Discount-Equipment.com is your online resource for quality parts & equipment.

Florida: **561-964-4949** Outside Florida TOLL FREE: **877-690-3101**

Need parts?

Click on this link: <http://www.discount-equipment.com/category/5443-parts/> and choose one of the options to help get the right parts and equipment you are looking for. Please have the machine model and serial number available in order to help us get you the correct parts. If you don't find the part on the website or on one of the online manuals, please fill out the request form and one of our experienced staff members will get back to you with a quote for the right part that your machine needs.

We sell worldwide for the brands: Genie, Terex, JLG, MultiQuip, Mikasa, Essick, Whiteman, Mayco, Toro Stone, Diamond Products, Generac Magnum, Airman, Haulotte, Barreto, Power Blanket, Nifty Lift, Atlas Copco, Chicago Pneumatic, Allmand, Miller Curber, Skyjack, Lull, Skytrak, Tsurumi, Husquvarna Target, Stow, Wacker, Sakai, Mi-T-M, Sullair, Basic, Dynapac, MBW, Weber, Bartell, Bennar Newman, Haulotte, Ditch Runner, Menegotti, Morrison, Contec, Buddy, Crown, Edco, Wyco, Bomag, Laymor, EZ Trench, Bil-Jax, F.S. Curtis, Gehl Pavers, Heli, Honda, ICS/PowerGrit, IHI, Partner, Imer, Clipper, MMD, Koshin, Rice, CH&E, General Equipment, Amida, Coleman, NAC, Gradall, Square Shooter, Kent, Stanley, Tamco, Toku, Hatz, Kohler, Robin, Wisconsin, Northrock, Oztec, Toker TK, Rol-Air, APT, Wylie, Ingersoll Rand / Doosan, Innovatech, Con X, Ammann, Mecalac, Makinex, Smith Surface Prep, Small Line, Wanco, Yanmar

Products Covered by This Manual

The following products are covered by this manual:

Maxi-Power™ MP15XR

Manual Contents:

Introduction.....	2
Safety.....	2
Features And Controls.....	6
Pre-Operation Checklist.....	7
Transporting.....	8
Operation.....	13
Maintenance.....	14
Troubleshooting.....	17
Specifications.....	17
Reporting Safety Defects.....	18
Tire Safety Information.....	19
Addendum - Unit Options.....	25

WARNING

Breathing diesel engine exhaust exposes you to chemicals known to the State of California to cause cancer and birth defects or other reproductive harm.

- Always start and operate the engine in a well-ventilated area.
- If in an enclosed area, vent the exhaust to the outside.
- Do not modify or tamper with the exhaust system.
- Do not idle the engine except as necessary.

For more information go to www.P65Warnings.ca.gov/diesel.

Introduction

About This Manual

TAKE TIME TO READ THIS MANUAL THOROUGHLY

This instruction manual provides necessary instructions for the Allmand® Maxi-Power™ MP15XR Portable Generator.

The information found in this manual is in effect at the time of printing. Allmand Bros Inc. may change contents without notice and without incurring obligation.

The images throughout this manual are representative, and may differ from your model.

Any reference in this manual to left or right shall be determined by looking at the trailer from the rear.

Save these original instructions for future reference.

Safety

Safety Definitions

For your safety, the safety of others, and to protect the performance of equipment, follow the precautions listed throughout the manual before operation, during operation and during periodic maintenance procedures.



Indicates a potential personal injury hazard.

DANGER

Indicates a hazardous situation which, if not avoided, will result in death or serious injury.

WARNING

Indicates a hazardous situation which, if not avoided, could result in death or serious injury.

CAUTION

Indicates a hazardous situation which, if not avoided, could result in minor or moderate injury.

NOTICE

Information considered important but not hazard related.

Safety Precautions

The following section contains general safety precautions and guidelines that must be obeyed to reduce risk to personal safety. Special safety precautions are listed in specific procedures. Read and understand all of the safety precautions before operating or performing repairs or maintenance.



DANGER

Electrocution Hazard

- High voltage is present when engine is running. Never attempt to service electrical components while engine is running.
- Do not operate the unit if the insulation on the electrical cord or other electrical wiring is cut or worn or if bare wires are exposed. Repair or replace damaged wiring before starting the engine.

 **WARNING**

Unsafe Operation Hazard

- Never permit anyone to install or operate the equipment without proper training.
- Read and understand this Operator's Manual, the Engine Operator's Manual, and any other component manuals before operating or servicing the equipment to make sure that safe operating practices and maintenance procedures are followed.
- Safety signs and decals are additional reminders for safe operating and maintenance techniques.

 **WARNING**

Fall Hazard

- Never carry riders on the equipment.

 **WARNING**

Modification Hazard

- Never modify the equipment without written consent of the manufacturer. Any modification could effect the safe operation of the equipment.

 **WARNING**

Exposure Hazard

- Always wear personal protective equipment, including appropriate clothing, gloves, work shoes, and eye and hearing protection, as required by the task at hand.

 **WARNING**

Fire and Explosion Hazard

Batteries give off explosive gases during recharging. Sparks could cause explosions, resulting in death or serious injury.

Burn Hazard

Batteries contain acid, which is extremely caustic. Contact with battery contents could cause severe chemical burns.

Shock Hazard

Batteries present a risk of electric shock and high short circuit current.

- Always disconnect the negative (-) battery cable before servicing equipment.
- DO NOT dispose of battery in a fire. Recycle battery.
- DO NOT allow any open flame, spark, heat, or lit cigarette during and for several minutes after charging a battery.
- DO NOT open or mutilate battery.
- DO NOT charge a frozen battery. Always slowly warm the battery to room temperature before charging.
- Wear protective gloves, rubber apron, rubber boots and rubber gloves.
- Remove watches, rings, or other metal objects.
- Use tools having insulated handles.

 **WARNING**  

Fire And Explosion Hazard

- Diesel fuel is flammable and explosive under certain conditions.
- Never use a shop rag to catch fuel.
- Wipe up all spills immediately.
- Never refuel with the engine running.
- Store any containers containing fuel in a well ventilated area, away from any combustibles or sources of ignition.

 **WARNING**

Alcohol And Drug Hazard

- Never operate the unit while under the influence of alcohol or drugs, or when ill.

 **WARNING**

Entanglement / Sever Hazard

- Always stop the engine before beginning service.
- If the engine must be serviced while it is operating, remove all jewelry, tie back long hair and keep hands, other body parts and clothing away from moving/rotating parts.
- Verify that all guards and covers are attached properly to the equipment before starting the engine. Do not start the engine if any guards or covers are not properly installed on the equipment.
- Attach a "Do Not Operate" tag near the key switch while performing maintenance on the equipment.

 **WARNING**

Flying Object Hazard

- Always wear eye protection when cleaning the equipment with compressed air or high pressure water. Dust, flying debris, compressed air, pressurized water or steam may injure your eyes.

 **WARNING**

Coolant Hazard

- Wear eye protection and rubber gloves when handling engine coolant. If contact with the eyes or skin should occur, flush eyes and wash immediately with clean water.

 **WARNING**

Burn Hazard

- Opening cap on hot radiator could result in death or serious injury. Allow radiator to cool down before opening cap.

! WARNING

Burn Hazard

- Keep hands and other body parts away from hot surfaces.
- Handle hot components with heat resistant gloves.

NOTICE

- Any part which is found defective as a result of inspection or any part whose measured value does not satisfy the standard or limit **MUST** be replaced.
- Always tighten components to the specified torque. Loose parts can cause equipment damage or cause it to operate improperly.
- Follow the guidelines of the Environmental Protection Agency (EPA), Environment Canada (EC) or other governmental agencies for the proper disposal of hazardous materials such as engine oil, diesel fuel and engine coolant.
- Only use replacement parts specified. Other replacement parts may effect warranty coverage.
- Clean all accumulated dirt and debris away from the body of the equipment and its components before you inspect the equipment or perform preventative maintenance procedures or repairs. Operating equipment with accumulated dirt and debris will cause premature wear of equipment components.
- Never dispose of hazardous materials by dumping them into a sewer, on the ground, or into groundwater or waterways.
- Retrieve any tools or parts that may have dropped inside of the equipment to avoid improper equipment operation.
- If any alert indicator illuminates during equipment operation, stop the engine immediately. Determine the cause and repair the problem before continuing to operate the equipment.

It is a violation of California Public Resource Code, Section 4442, to use or operate the engine on any forest-covered, brush-covered, or grass-covered land unless the exhaust system is equipped with a spark arrester, as defined in section 4442, maintained in effective working order. Other states or federal jurisdictions may have similar laws; reference Federal Regulation 36 CFR Part 261.52.


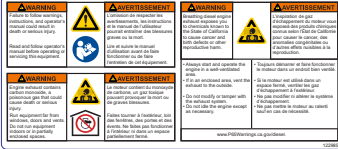
Safety Decals






Before operating your unit, read and understand the following safety decals. The cautions, warnings, and instructions are for your safety. To avoid personal injury or damage to the unit, understand and follow all the decals.



Keep the decals from becoming dirty or torn, and replace them if they are lost or damaged. Also, if a part needs to be replaced that has a decal attached to it, make sure to order the new part and decal at the same time.

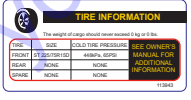

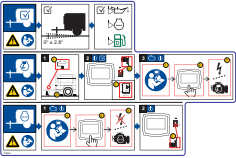
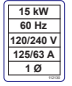








If any safety or instructional decals become worn or damaged, and cannot be read, order replacement decals from your dealer.

Domestic Models	
<p>DANGER - Entering electrical compartment while equipment is in operation will result in death or serious injury. Unplug equipment before entering electrical compartment.</p> <p>Part No. 118074</p>	
<p>Machine Grounding Information / Ground Lug</p> <p>Part No. 122470</p>	
<p>WARNING - Opening cap on hot radiator could result in death or serious injury. Allow radiator to cool down before opening cap.</p> <p>Part No. 118651</p>	
<p>WARNING - Failure to follow warnings, instructions and operator's manual could result in death or serious injury. Read and follow operator's manual before operating or servicing this equipment.</p> <p>Part No. 122467-1</p>	
<p>WARNING - Unexpected start of engine could result in death or serious injury. Read and follow electronic controller operator's manual before operating or servicing this equipment.</p> <p>Part No. 122467-2</p>	
<p>WARNING - Contact with hot exhaust gases and parts could cause death or serious injury. Avoid hot exhaust gases. Keep hands and combustible materials away from hot parts.</p> <p>Part No. 122467-3</p>	
<p>WARNING - Contact with rotating parts could result in death or serious injury. Keep away from rotating parts.</p> <p>Part No. 122467-4</p>	
<p>WARNING - Opening cap on hot radiator could result in death or serious injury. Allow radiator to cool down before opening cap.</p> <p>Part No. 122467-5</p>	
<p>WARNING - Exposure to corrosive materials could cause result in death or serious injury. Wear protective gloves when handling battery.</p> <p>Part No. 122467-6</p>	
<p>WARNING - Smoking materials, open flames, or other forms of ignition near the battery could cause explosion resulting in death or serious injury. Keep smoking materials, open flames, or other forms of ignition away from the battery.</p> <p>Part No. 122467-7</p>	
<p>WARNING - Excessive towing speed could result in death or serious injury. Do not exceed 65mph (105km/h) when towing trailer.</p> <p>Part No. 118108</p>	

Domestic Models	
CSA File Number Part No. 110361	
<p>WARNING - Failure to follow warnings, instructions and operator's manual could result in death or serious injury. Read and follow operator's manual before operating or servicing this equipment.</p> <p>WARNING - Engine exhaust contains carbon monoxide, a poisonous gas that could cause death or serious injury. Run equipment far from windows, doors and vents. Do not run equipment indoors or in partially enclosed spaces.</p> <p>WARNING - Breathing diesel engine exhaust exposes you to chemicals known to the State of California to cause cancer and birth defects or other reproductive harm.</p> <ul style="list-style-type: none"> Always start and operate the engine in a well-ventilated area. If in an enclosed area, vent the exhaust to the outside. Do not modify or tamper with the exhaust system. Do not idle the engine except as necessary. <p>www.P65warnings.ca.gov/diesel Part No. 122985</p>	












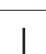
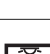
International Models	
<p>DANGER - Entering electrical compartment while equipment is in operation will result in death or serious injury. Unplug equipment before entering electrical compartment. Part No. 104880</p>	
<p>Ground Lug Part No. 107969</p>	
<p>WARNING - Opening cap on hot radiator could result in death or serious injury. Allow radiator to cool down before opening cap. Part No. 122091</p>	
<p>WARNING - Contact with rotating parts could result in death or serious injury. Keep away from rotating parts.</p> <p>WARNING - Opening cap on hot radiator could result in death or serious injury. Allow radiator to cool down before opening cap.</p> <p>WARNING - Smoking materials, open flames, or other forms of ignition near the battery could cause explosion resulting in death or serious injury. Keep smoking materials, open flames, or other forms of ignition away from the battery.</p> <p>WARNING - Exposure to corrosive materials could cause result in death or serious injury. Wear protective gloves when handling battery. Part No. 110310</p>	
<p>WARNING - Automatic Engine Start. Unexpected start of engine could result in death or serious injury. Read and follow electronic controller operator's manual before operating or servicing this equipment. Part No. 107978</p>	

International Models	
<p>WARNING - Excessive towing speed could result in death or serious injury. Do not exceed 65mph (105km/h) when towing trailer. Part No. 118108</p>	
<p>WARNING - Engine exhaust contains carbon monoxide, a poisonous gas that could cause death or serious injury. Run equipment far from windows, doors and vents. Do not run equipment indoors or in partially enclosed spaces. Part No. 113941</p>	

All Models	
<p>Tire Information Part No. 113943</p>	
<p>Emergency Stop Part No. 105567</p>	
<p>Operating Instructions Part No. 118363</p>	
<p>Electrical Info Part No. 112130</p>	
<p>Tie-Down Point Part No. 109005</p>	
<p>Forklift Pocket Part No. 107254</p>	
<p>Oil Drain Part No. 107973</p>	
<p>Fluid Containment Drain Part No. 107971</p>	
<p>Coolant Drain Part No. 104752</p>	
<p>Lift Weight Part No. 122480</p>	
<p>Trailer Serial Number (VIN) Part No. 119958</p>	
<p>Product Operations QR Code Part No. 123248</p>	

Operation Icons

The following table contains operation icons that may be found on the unit, along with the meaning of each icon.

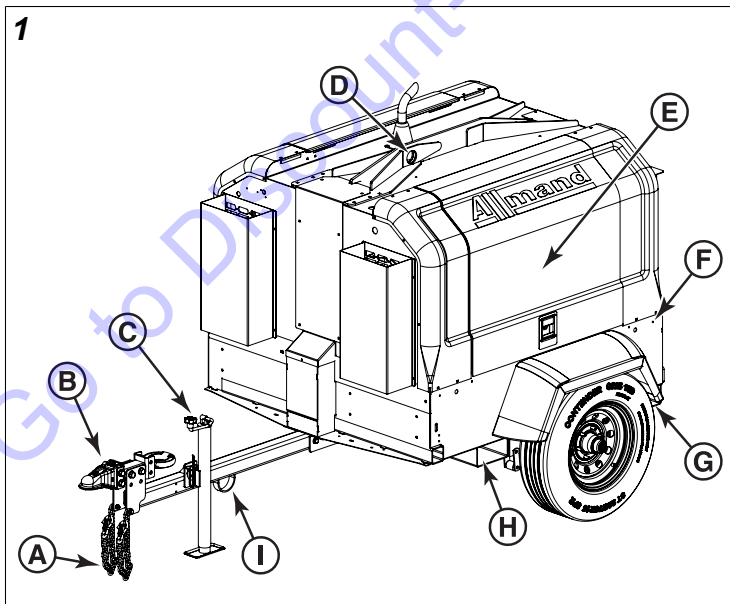
Icon	Meaning	Icon	Meaning
	Power On		Work Light
○	Power Off		Engine Oil Drain
	Engine Stop		Engine Coolant Drain
	Engine Run		Fluid Containment Drain
	Engine Start		Circuit Breaker
	Engine Preheat		Disconnecting Circuit Breaker
	Hourmeter		Earth Ground
	Trailer Interior Light		

Features And Controls

The Allmand® Maxi-Power™ MP15XR Portable Generator is intended for use as a stationary generator set.

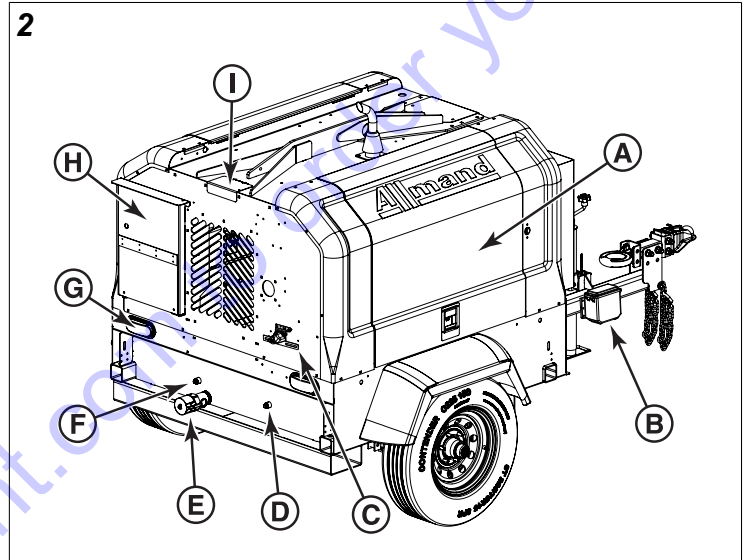
Identify the features and controls of the machine by comparing Figures 1 through 3 with the tables following. See **Transporting** and **Operation** for detailed information on each feature / control.

Front



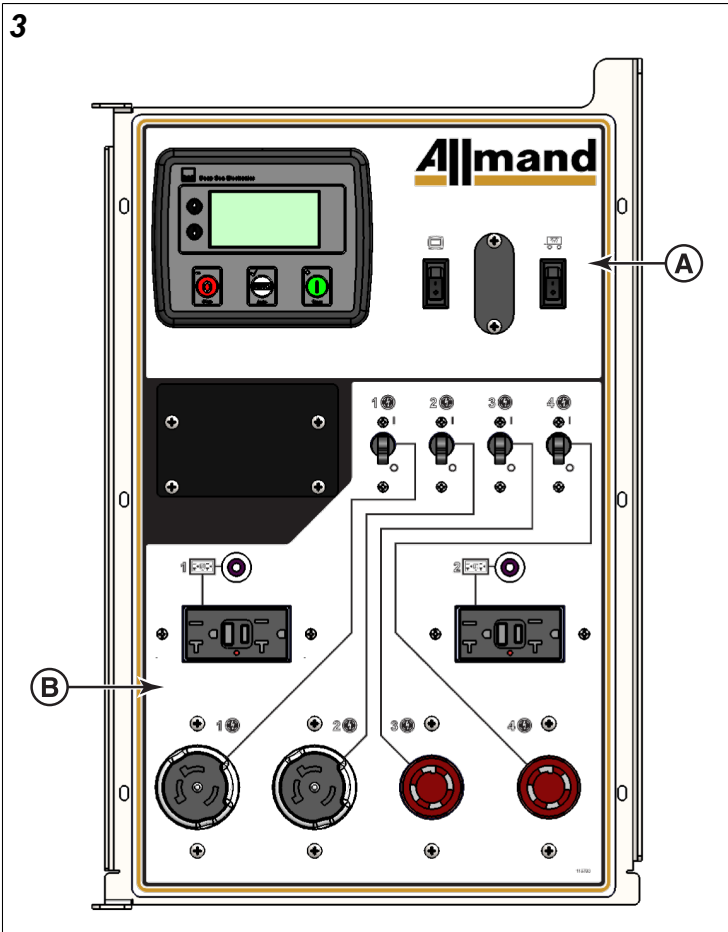
Ref	Description
A	Safety Chains (2)
B	Trailer Coupler / Lunette Ring
C	Tongue Jack
D	Lifting Eye
E	Engine Compartment Access Door
F	Ground Lug
G	Rear Forklift Pocket / Tie Down Point (each side)
H	Front Forklift Pocket (each side)
I	Front Tie Down Loop

Rear



Ref	Description
A	Engine Compartment Access Door
B	Breakaway Kit
C	License Bracket / Marker Light
D	Engine Oil Drain
E	Fluid Containment Drain
F	Engine Coolant Drain
G	Tail Light (2)
H	Control Panel Access Door
I	Radiator Access Door

Control Panel



Ref	Description
A	Engine Panel
B	Auxiliary Outlet Panel

Pre-Operation Checklist

Perform the following checks before transporting and operating the unit, as well as when performing general maintenance.



WARNING

Unsafe Operation Hazard

- Operating or transporting the machine with worn, damaged or missing parts can result in death or serious injury. Always replace worn, damaged or missing parts promptly. Do not transport or operate the machine until all worn, damaged or missing parts have been replaced, and proper operation of the machine has been verified.

Note:

We encourage the use of authorized replacement Allmand parts. The warranty does not cover damage or performance problems caused by the use of parts that are not authorized replacement parts.

1. Check that all safety and operation decals are present and legible. See **Safety - Safety Decals**.

2. Check that all operator's manuals (product, engine, generator, etc.) are with the unit.
3. Check the following components for wear and damage, and for proper operation:
 - a. Tongue jack
 - Check for rust or damage. Repair or replace as needed.
 - Check for proper operation. See **Transporting - Using The Tongue Jack**.
 - b. Hitch Assembly (trailer coupler / lunette ring)
 - Check for rust or damage. Repair or replace as needed.
 - Check for proper operation. See **Transporting - Coupling And Uncoupling The Trailer Hitch**.
 - Check hardware for proper tightness. Tighten as needed.
 - c. Safety chains
 - Check for rust or damage. Repair or replace as needed.
 - Check hardware for proper tightness. Tighten as needed.
 - d. Trailer lighting cable
 - Check for cut, frayed or bare wires. Repair or replace as needed.
 - Check connector for damage. Repair or replace as needed.
 - e. Breakaway kit
 - Check for broken or frayed wires or breakaway cable.
 - Check battery charge status.
 - f. Tires
 - Check for wear, cuts, cracks, etc. Replace as needed.
 - Check and adjust inflation pressure. See **Specifications** for proper inflation pressure.
 - g. Brakes
 - Check brakes for proper operation and wear. Repair as needed.
 - h. Axle and undercarriage
 - Check for rust or damage. Repair as needed.
 - i. Electrical wiring
 - Check for cut, worn or bare electrical wiring. Repair as needed.



WARNING

Electrocution hazard

- Operating the unit with cut, worn or bare electrical wiring could result in death or serious injury. Repair or replace damaged wiring before operating the light tower.

j. Engine

- Check for leaks or other signs of wear or damage. Repair as needed.
- Check the air cleaner to be sure it is firmly attached, and that the air cleaner seals and hose clamps are properly secured. Check the air cleaner element. Replace if necessary.

4. Check and adjust fluid levels.

a. Engine Oil

- Refer to the engine operator's manual for oil recommendations, capacity, and procedures.

NOTICE

Operating engine without oil will cause engine damage.

b. Engine Coolant

- Refer to the engine operator's manual for coolant recommendations, capacity, and procedures.

NOTICE

Operating engine without coolant will cause engine damage.

c. Fuel

- See **Operation - Fueling The Unit** for fuel tank location, capacity, and fueling procedures.

Transporting



WARNING

Unsafe Operation Hazard

- Operating the equipment without proper training could result in death or serious injury. Never allow anyone to operate the equipment without proper training.

Before transporting, read **Safety**.

Preparing For Work Site Delivery

Prepare the unit for delivery to the work site, especially if it has been stored or idle for a period of time.



WARNING

Unsafe Operation Hazard

- Operating or transporting a machine with worn, damaged or missing parts can result in death or serious injury. Always replace worn, damaged or missing parts promptly. Do not operate or transport this machine until all worn, damaged or missing parts have been replaced, and proper operation of the machine has been verified.

1. Perform all pre-operation checks. See **Pre-Operation Checklist**.

2. Run the engine through a startup and shutdown cycle to verify operation. See **Operation - Operating The Engine**. Also refer to the engine operator's manual.

Preparing For Transport

1. Shut down the engine. See **Operation - Operating The Engine**. Also refer to the engine operator's manual
2. Close and lock all access doors.

Towing

Maximum highway speed is 65 mph (105 km/h). Maximum off-highway speed is 20 mph (32 km/h). Do not exceed these speed limits.



WARNING

Unsafe Operation Hazard

- Towing the trailer at highway speeds in excess of 65 mph (105 km/h) could result in death or serious injury. Do not tow the trailer at highway speeds in excess of 65 mph (105 km/h).

Tow vehicle / hitch requirements

1. Check the Gross Vehicle Weight Rating (GVWR) of the trailer. See **Specifications**.
2. Check the rated towing capacity of the tow vehicle and hitch. Both must meet or exceed the GVWR of the trailer.
Note: Check the vehicle owner's manual and hitch owner's manual for rated towing capacities.



WARNING

Towing Hazard

- Using a tow vehicle or hitch with a rated towing capacity less than the GVWR of the trailer could result in death or serious injury. Use only a tow vehicle and hitch with a rated towing capacity that meets or exceeds the GVWR of the trailer.

Check the tow vehicle hitch type

The trailer is designed for the following types of available tow vehicle hitches:

- 2" ball hitch
- Pintle hitch
- 2-5/16" ball hitch
- 2" Bulldog hitch

Be sure the tow vehicle is equipped with either of these hitch types. Install if needed.



WARNING

Unsafe Operation Hazard

- Failure to use a tow vehicle hitch that mates with the trailer hitch assembly could result in death or serious injury. Use only a tow vehicle hitch that mates with the trailer hitch assembly.

Reversing the trailer hitch assembly

The trailer hitch assembly is reversible. Use the trailer coupler (A, Figure 4) for ball hitches, or the lunette ring (B) for pintle hitches. To reverse the trailer hitch assembly:

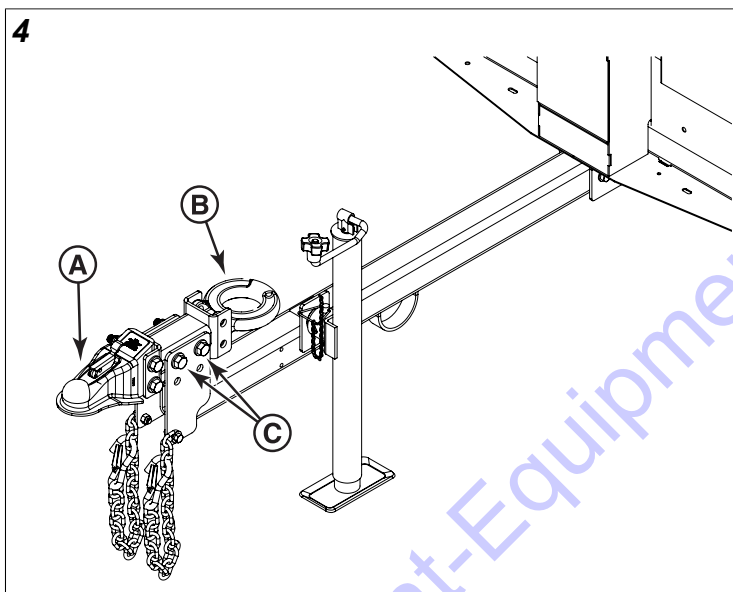
1. Remove the mounting hardware (C, Figure 4).
2. Reverse the trailer hitch assembly.
Note: Use the set of mounting holes in the trailer tongue that will keep the trailer as level as possible when connected to the tow vehicle.
3. Reinstall the hardware. Tighten securely.



WARNING

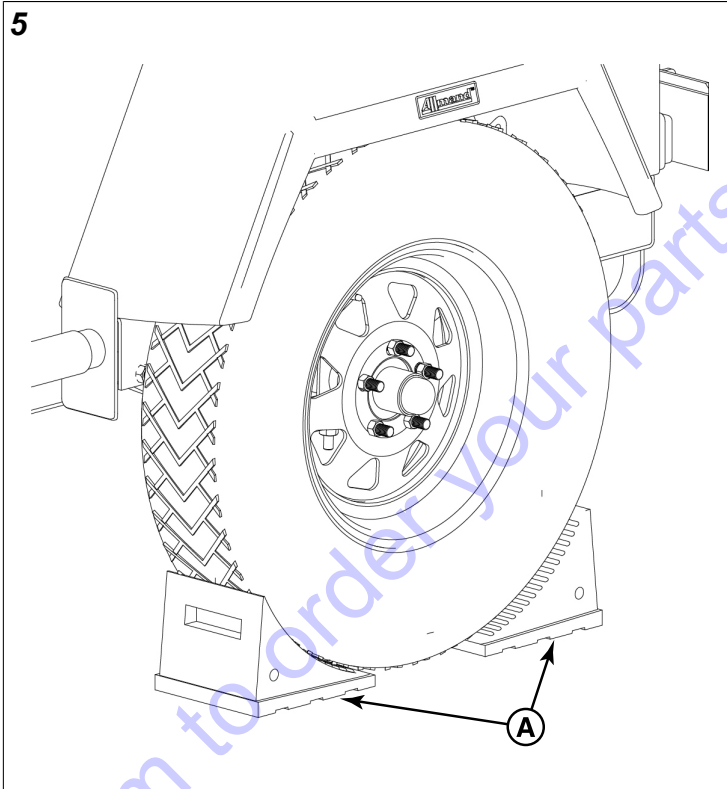
Unsafe Operation Hazard

- Failure to properly install the trailer hitch assembly could result in death or serious injury. Install the trailer hitch assembly properly, and tighten the hardware securely.



Connect the trailer to the tow vehicle

1. Position a wheel chock (not supplied) firmly against the front and rear of the wheel (A, Figure 5) on each side of the trailer.



2. Use the tongue jack to raise the trailer tongue. See **Transporting - Using The Tongue Jack**.
3. Position the tow vehicle hitch under the trailer hitch.
4. Couple the trailer hitch to the tow vehicle hitch. See **Transporting - Coupling And Uncoupling The Trailer Hitch**.
5. Connect the safety chains.



WARNING

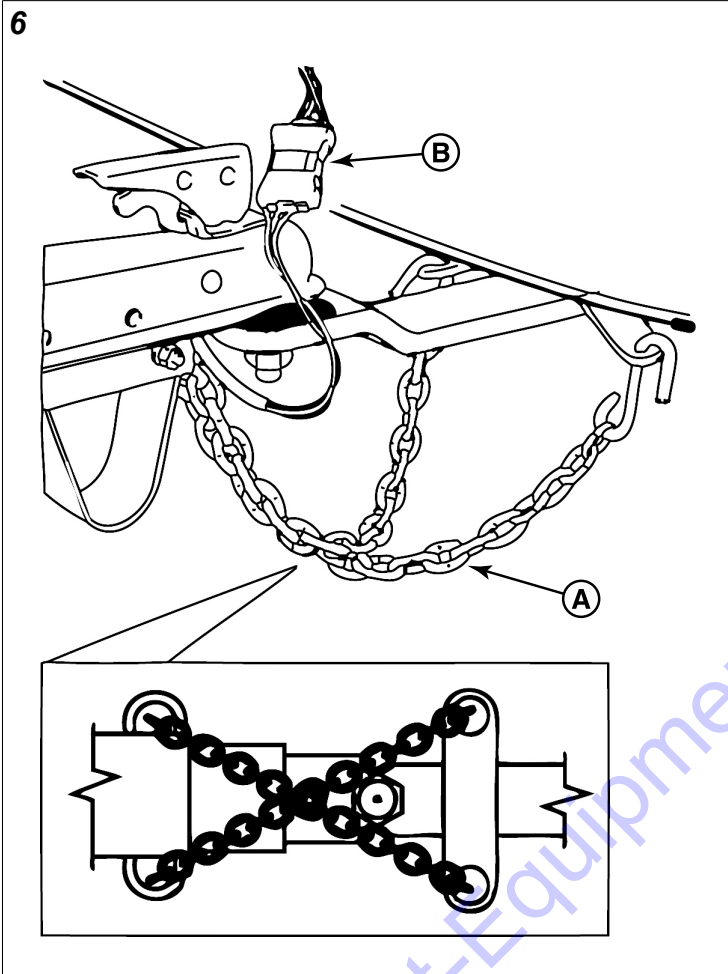
Unsafe Operation Hazard

- Failure to properly install safety chains could result in death or serious injury. Always properly install safety chains.
 - a. Connect the safety chains (A, Figure 6) to the safety chain pockets on the tow vehicle. Criss-cross the chains under the hitch to cradle the hitch in the event of a disconnect.
 - b. Rig the chains as tightly as possible while allowing enough slack to permit free turning.
6. Connect the trailer lighting cable.
 - a. Make sure the trailer lighting cable mates with the tow vehicle lighting cable. If needed, install the proper cable and/or connector to the tow vehicle.
 - b. Connect the trailer lighting cable to the tow vehicle lighting cable (B, Figure 6).
 - c. Make sure there is adequate slack to allow for turning without allowing the cable to drag on the ground.
 - d. Check the trailer lights for proper operation.

WARNING

Unsafe Operation Hazard

- Failure of trailer lights to operate properly could result in death or serious injury. Always check for proper operation of trailer lights, and repair or replace as needed.



7. Retract the tongue jack. See **Transporting - Using The Tongue Jack**.
8. Remove the wheel chocks.

The trailer is now ready for towing.

To disconnect the trailer from the tow vehicle

1. Chock the wheels.
2. Deploy the tongue jack. See **Transporting - Using The Tongue Jack**.
3. Disconnect the trailer lighting cable from the tow vehicle lighting cable.
4. Remove the safety chains from the safety chain pockets on the tow vehicle.
5. Uncouple the trailer hitch from the tow vehicle hitch. See **Transporting - Coupling And Uncoupling The Trailer Hitch**.
6. Move the tow vehicle away from the unit.

Using The Tongue Jack

The unit is equipped with a tongue jack to raise and lower the trailer tongue, and to level the trailer front-to-rear.

To deploy the tongue jack

1. Remove the jack locking pin (A, Figure 7).
2. Rotate the tongue jack 90° into the operating position (B, Figure 7). Install the jack locking pin (C).

WARNING

Unsafe Operation Hazard

- Failure to install the jack locking pin could result in death or serious injury. Be sure the tongue jack is locked in the operating position with the jack locking pin.
3. Unfold the jack handle into the operating position (D, Figure 7).

To lower the jack foot (raise the trailer tongue)

- Turn the jack handle counterclockwise (E, Figure 7) to lower the jack foot (F) and raise the trailer tongue.

To raise the jack foot (lower the trailer tongue)

- Turn the jack handle clockwise (G, Figure 7) to raise the jack foot (H) and lower the trailer tongue.

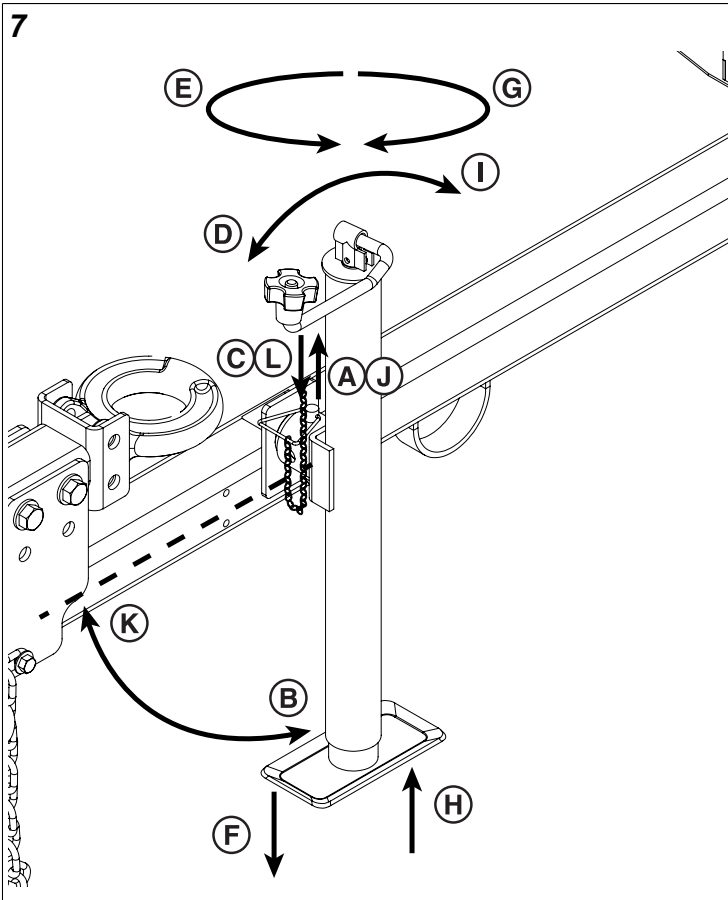
To retract the tongue jack

1. Be sure the trailer is securely supported by the tow vehicle or other approved means.

WARNING

Unsafe Operation Hazard

- Failure to support the trailer tongue before retracting the tongue jack could result in death or serious injury. Be sure the trailer tongue is securely supported before retracting the tongue jack.
2. Fully raise the jack foot.
 3. Fold the jack handle into the transport position (I, Figure 7).
 4. Remove the jack locking pin (J, Figure 7).
 5. Rotate the tongue jack 90° into the transport position (K, 7). Install the jack locking pin (L).



Coupling And Uncoupling The Trailer Hitch Trailer Coupler (for ball hitches)

To couple to the tow vehicle ball hitch

1. Pull up on the locking trigger (A, Figure 8), and lift the locking lever (B, shown lifted).
2. Use the tongue jack to lower the trailer coupler socket (C, Figure 8) fully onto the hitch ball (F). See **Transporting - Using The Tongue Jack**.
3. Adjust the coupler clamp (D, Figure 8) using the adjusting nut (E). Tighten the adjusting nut by turning the nut clockwise, or loosen by turning counter-clockwise. Proper adjustment is obtained when the coupler is as tight as possible on the hitch ball and the locking lever can still be opened and closed.



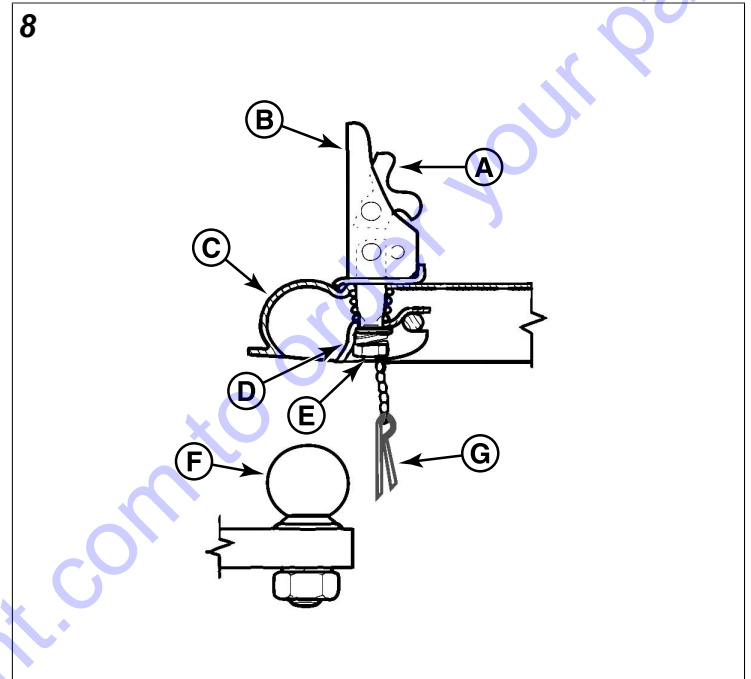
WARNING

Unsafe Operation Hazard

- Failure to properly adjust the coupler clamp could result in death or serious injury. Adjust the coupler clamp, and check adjustment frequently.
4. Push the locking lever down into the locked position. Insert the locking pin (G, Figure 8) into the hole in the locking lever, or use a padlock for added security.
 5. Check to be sure the coupler is securely attached to the ball hitch.

To uncouple

1. Remove the locking pin (or padlock, if used) from the hole in the locking lever.
2. Pull up on the locking trigger, and lift the locking lever.
3. Use the tongue jack to raise the trailer coupler until it clears the hitch ball. See **Transporting - Using The Tongue Jack**.



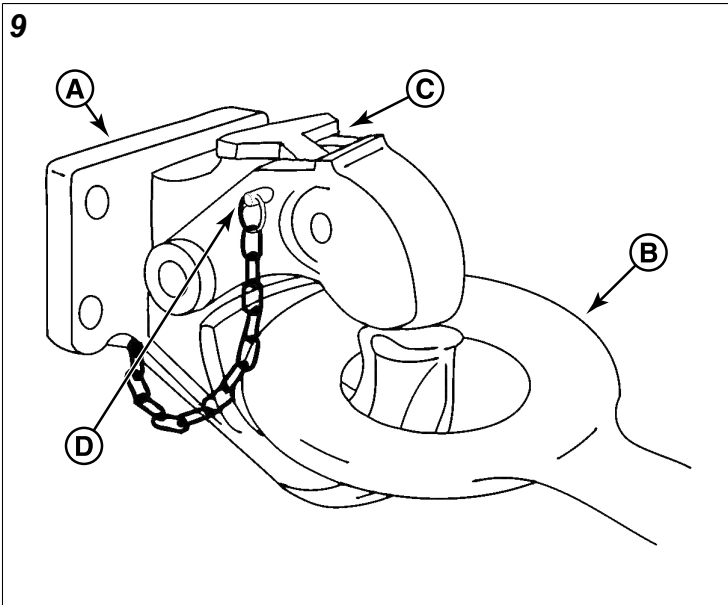
Lunette Ring (for pintle hitches)

To couple to the tow vehicle pintle hitch

1. Open the locking latch (C, Figure 9) on the tow vehicle pintle hitch (A).
- Note: Standard pintle hitch shown; designs vary.*
2. Use the tongue jack to lower the lunette ring (B, Figure 9) into the pintle hitch hook. See **Transporting - Using The Tongue Jack**.
 3. Close the locking latch. Insert the locking pin (D, Figure 9) into the hole in the locking latch.

To uncouple

1. Remove the locking pin from the hole in the locking latch.
2. Open the locking latch.
3. Use the tongue jack to raise the lunette ring until it clears the pintle hitch hook. See **Transporting - Using The Tongue Jack**.



Lifting

Lifting equipment requirements

- Use only approved lifting equipment with a rated lifting capacity that exceeds the GVWR of the unit. See **Specifications**.



WARNING

Unsafe Operation Hazard

- Failure to use approved lifting equipment with a rated lifting capacity that exceeds the GVWR of the unit could result in death or serious injury. Use only approved lifting equipment with a rated lifting capacity that exceeds the GVWR of the unit.

Lifting points

- Lifting eye - (A, Figure 10) Use only shackles or a locking type hook when using the lifting eye.
- Forklift pockets - (B, Figure 10) Use forklift blades at least 60" (152 cm) long when lifting the unit. Insert the forklift blades fully into the forklift pockets.



WARNING

Unsafe Operation Hazard

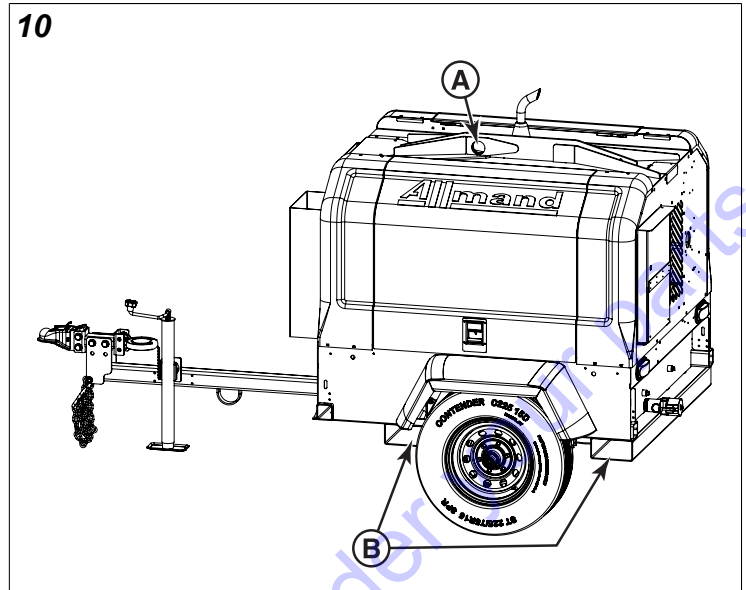
- Failure to use the designated lifting points to lift the unit could result in death or serious injury. Use only the designated lifting points to lift the unit.



WARNING

Crush Hazard

- Standing under or near the unit while it is being lifted could result in death or serious injury. Never stand under or near the unit while it is being lifted.



Transporting On A Trailer

Three tie-down points, located on the bottom rear of the trailer (forklift pockets on right and left sides) and the underside of the trailer tongue (A, Figure 11), are used to secure the unit to a transport trailer.

Note: All models have similar tie-down point locations.



WARNING

Unsafe Operation Hazard

- Failure to use the designated tie-down points to secure the unit to the transport trailer could result in death or serious injury. Always use the designated tie-down points to secure the unit to the transport trailer.

1. Secure the unit at the tie-down points with appropriately rated chains or straps.

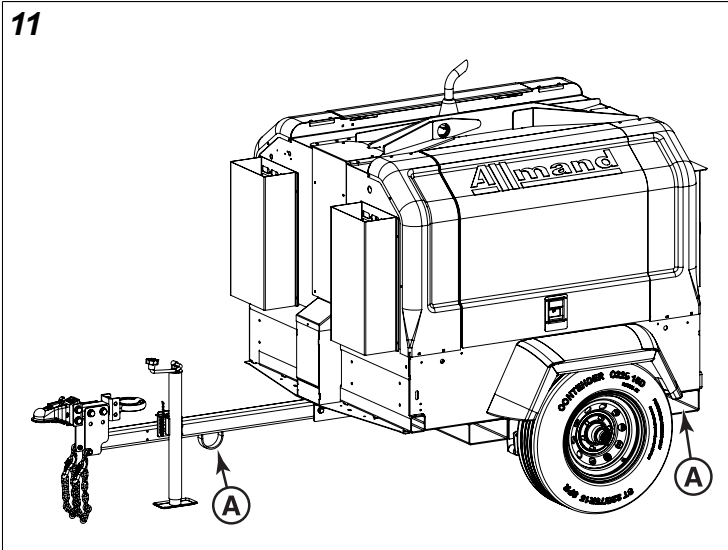


WARNING

Unsafe Operation Hazard

- Failure to use appropriately rated chains or straps to secure the unit to the transport trailer could result in death or serious injury. Always use appropriately rated chains or straps to secure the unit to the transport trailer.
2. Do not apply more than 600 lbs (272 kg) force on the chains or straps.
 3. The truck operator is responsible for securing the load properly to the transport trailer.

11



Operation

Before operating, read **Safety**.

Choosing The Work Site

1. Obey state, province and federal rules and regulations, as well as rules or instructions for the work site.
2. Consider the following when choosing a work site:

Ground surface

- Set up on smooth, flat, solid ground surfaces only.
- Do not set up on inclines of more than 2.8° (5% grade) front-to-back and side-to-side.



WARNING

Rollover Hazard

- Setting up the unit on soft or unstable ground, or on inclines of more than 2.8° (5% grade), could result in death or serious injury. Set up the unit only on smooth, flat solid ground surfaces with inclines of no more than 2.8° (5% grade).

Setting Up The Unit

1. Position the unit at the work site. See **Operation - Choosing The Work Site**.
2. Chock the wheels. See **Transporting – Towing**.
3. If the unit was towed to the work site, disconnect from the tow vehicle. See **Transporting – Towing**.
4. Level the trailer using the tongue jack. See **Transporting – Using The Tongue Jack**.
5. The unit is now set up and ready for operation.

Fueling The Unit

To fuel

- Open the engine compartment access door to access the fuel tank(s).
- Open the filler cap(s).

- Add fuel as needed. Refer to the engine operator's manual for fuel recommendations. See **Specifications** for fuel capacity.

NOTICE

Diesel fuel only. Use of gasoline could result in engine damage.

NOTICE

Pressurized fueling is not allowed.

Operating The Unit

Before Operating

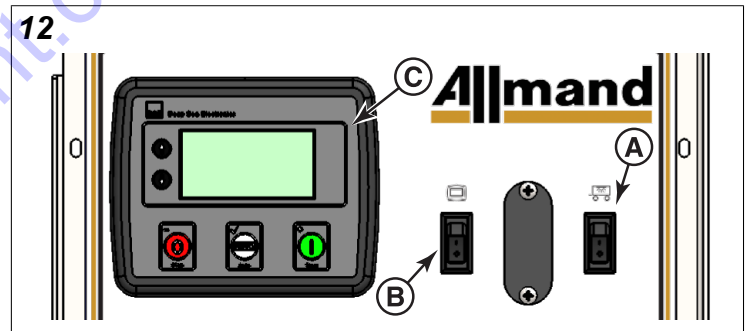
1. Perform pre-operation checks. See **Pre-Operation Checklist**.
2. Make sure the unit is set up properly at the work site. See **Operation - Setting Up The Unit**.

Operating The Engine

To start the engine

Deep Sea models

1. Set the Deep Sea mode switch (C, Figure 12) to ON.
2. See the separate manual for operation of the unit (D, Figure 12).



A	Interior Light - Turns on lights inside engine compartment
B	Deep Sea Mode Switch
C	Deep Sea Unit

To shut down the engine

Deep Sea models

1. See the Deep Sea Manual for Deep Sea shutdown procedures.
2. Set the Deep Sea mode switch to OFF.

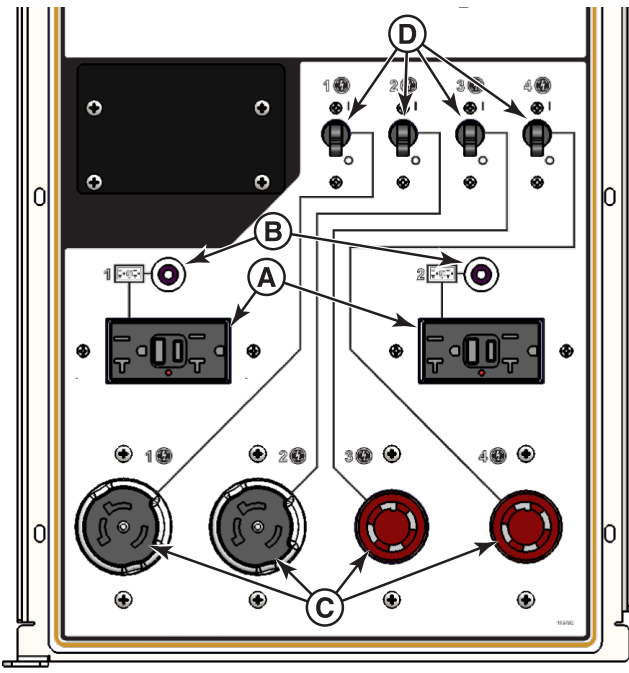
Automatic engine shutdown

The engine is equipped with an automatic engine shutdown system to prevent excessive engine damage in the event of low oil pressure or high coolant temperature. For additional information, refer to the engine operator's manual.

Auxiliary AC Outlets

Units come equipped with a variation of auxiliary AC outlets. See Figure 13 and the table following.

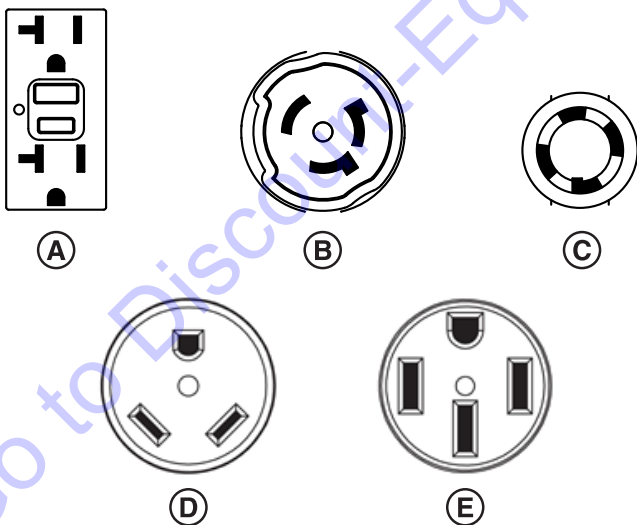
13



A	120V GFCI Outlets	Outlets provide 120V power protected by ground fault circuit interrupter (GFCI)
B	GFCI Reset Buttons	Resets GFCI Outlets
C	Auxiliary Outlets	Various auxiliary outlets
D	Auxiliary Outlet Breakers	Turns the auxiliary outlets on and off

See Figure 14 and the table following for the types of available outlets.

14



A	20 Amp, 120 Volt 2-Pole, 3-Wire Duplex GFCI NEMA 5-20R
B	50 Amp, 120/240 Volt 3-Pole, 4-Wire CS6369 RECEPTACLE
C	30 Amp, 120/240 Volt 3-Pole, 4-Wire Twist Lock NEMA L14-30R
D	30 Amp, 120 Volt, 2-Pole, 3-Wire NEMA TT-30R

E	50 Amp, 120/240 Volt 3-Pole, 4-Wire NEMA L14-50R
---	--

Power is supplied to the outlets when the engine is running and the main breaker is ON.

Each outlet is protected by a dedicated circuit breaker. If a breaker trips:

1. Disconnect the load from the outlet.
2. Shut off the engine.
3. Wait 10 minutes for the generator to cool down.
4. Correct the load problem.
5. Start the engine.

6. Reset the breaker.
Note: Be sure to also check the GFCI breaker on the GFCI outlet and reset if necessary.

7. Reconnect the load.
8. If the problem persists, see **Troubleshooting**.

Shutting Down The Unit

1. Shut down the engine. See **Operation - Operating The Engine**.
2. The unit is now ready for transport. See **Transporting**.

Maintenance

Before performing any maintenance, read **Safety**.

Scheduled maintenance is necessary for safe and effective operation of the unit. Under extreme conditions (dusty conditions, extreme heat or cold, etc.), more frequent maintenance may be required.

WARNING

Unsafe Operation Hazard

- Operating or transporting a machine with worn, damaged or missing parts could result in death or serious injury. Replace worn, damaged or missing parts promptly. Do not operate or transport the machine until all worn, damaged or missing parts have been replaced, and proper operation of the machine has been verified.

General

Use the pre-operation checklist as a general maintenance guideline. See **Pre-Operation Checklist**.

Engine

General Engine Maintenance

Refer to the engine operator's manual for all scheduled engine maintenance procedures (including oil, coolant, filters, etc.).

Engine Oil Drain

The unit is equipped with a remote engine oil drain (A, Figure 15).

To drain the engine oil:

1. Place an approved container beneath the oil drain.
2. Remove the oil drain plug or open the oil drain valve, depending on model.
3. Allow the engine oil to drain completely into the approved container. Make sure to dispose of used engine oil according to local, state, province and/or federal rules.
4. Replace the oil drain plug or close the oil drain valve.
5. Add oil to the engine. Refer to **Specifications** or the engine operator's manual for oil recommendations and capacity.

NOTICE

Failure to add engine oil will result in engine damage.

Engine Coolant Drain

NOTICE

Failure to use the required coolant type (as stated in the **Specifications** section) in the radiator may result in damage to the engine and radiator, thus voiding the warranty.

NOTICE

The mixing of different coolant types in the radiator may result in damage to the engine and radiator, thus voiding the warranty.

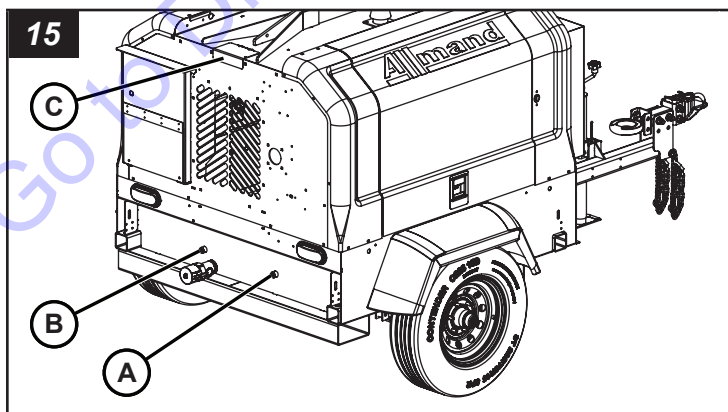
The unit is equipped with a remote engine coolant drain (B, Figure 15).

To drain the engine coolant:

1. Place an approved container beneath the coolant drain.
2. Remove the coolant drain plug or open the coolant drain valve, depending on model.
3. Allow the engine coolant to drain completely into the approved container. Make sure to dispose of used engine coolant according to local, state, province and/or federal rules.
4. Replace the coolant drain plug or close the coolant drain valve.
5. Open the coolant fill access door (C, Figure 15), and add coolant to the engine. Refer to **Specifications**.

NOTICE

Failure to add engine coolant will result in engine damage.



Electrical System

Generator

Refer to the Generator Operator's Manual for all scheduled generator maintenance procedures.

Trailer

Frame

1. Check the trailer coupler for proper operation, and for corrosion or damage. Replace as needed.
2. Inspect the trailer frame and body panels for rust, nicks and chips. Use the proper touch-up paint to touch up nicks or scratches. Contact your dealer for additional information.
3. Inspect the axle, springs and undercarriage for wear and damage. Replace as needed.
4. Inspect the tongue jack for proper operation, and for wear, damage or corrosion. Repair or replace as needed.
5. Inspect the safety chains for wear and corrosion damage. Replace as needed.
6. Check the breakaway kit for damage. Check that the battery is properly charged. Check the wiring for wear or fraying. Inspect the breakaway cable for wear or damage. Repair or replace as needed.

Grease Points

1. Use NGLI consistency #2 high-temperature anti-friction bearing lubricating grease for all trailer mechanical pivot points.

Trailer Wheels and Tires



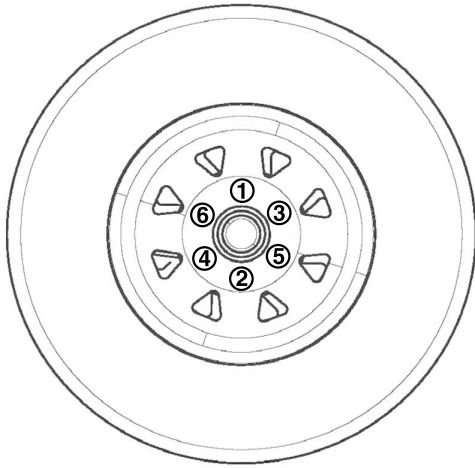
WARNING

Towing Hazard

Towing a trailer with damaged tires, rims or lug nuts could result in death or serious injury. Never tow the trailer with damaged tires, rims or lug nuts.

1. Check the tires for any cracks, cuts or damage. Repair or replace the damaged tires before towing.
2. Check the air pressure of the trailer tires when cold. See **Specifications**.
3. Check the wheel rims for any cracks or damage.
4. Check the brakes to make sure that they work properly.
5. Make sure all the lug nuts are in place. Never tow the trailer with missing or improperly tightened lug nuts.
6. Check that the lug nuts are tightened properly. The correct torque for the lug nuts is 90 lb-ft (122 Nm).
7. When torquing lug nuts, always use a criss-cross pattern (Figure 16).

16



Wheel Bearings

Refer to the axle manual for information regarding maintenance of wheel bearings and other axle components.

Trailer Lighting



WARNING

Towing Hazard

- Never tow the trailer with inoperable trailer lights. Lights are a vital safety feature of your trailer and are also required by state law. Keep the lights in proper working order.
1. Check the trailer lights and harness for damage or wear. Repair or replace as needed.
 2. Make sure the harness is secured to the trailer and does not hang down onto the ground.
 3. Check the taillight housing assemblies for damage or leaks. Use silicone or rubber sealant to seal the lens or harness, as required, or replace the housing assembly. Electrical grease will help protect the sockets and prevent corrosion.
 4. When replacing bulbs, make sure the proper bulb is used and use a small amount of electrical grease in the sockets to prevent corrosion.
 5. For trailer wiring schematic information, refer to the separate Wire Schematic Manual.

Cleaning



WARNING

Entanglement Hazard

Failure to shut down the engine before cleaning the unit could result in death or serious injury. Always shut down the engine before cleaning the unit.



WARNING

Burn Hazard

Shut down the engine and allow ample time for components to cool before cleaning the unit. Failure to do so could result in serious burns.

NOTICE

Use caution when using compressed air or water / steam pressure washers. Do not pressure-clean electrical components, as this may cause damage.

Keeping the unit clean is important to ensure proper operation. Dirt and dust buildup acts as an insulator and may cause the engine and generator to operate at excessively high temperatures.

Use the following as cleaning guidelines:

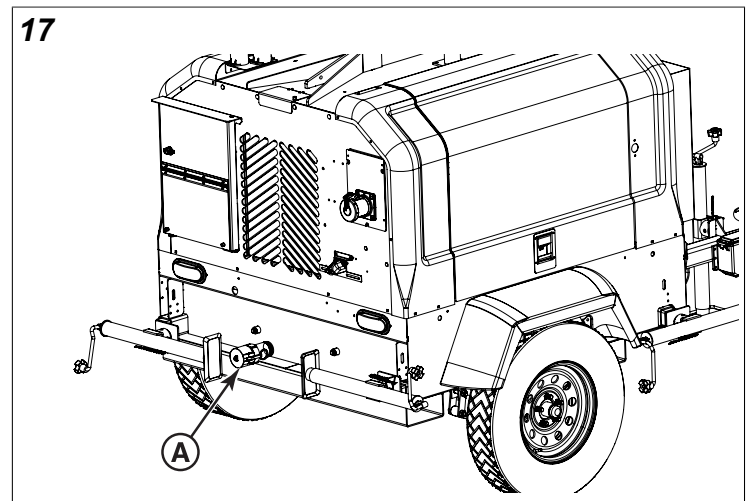
1. Clean the trailer to remove all dust, dirt or other foreign material.
2. Clean all electrical wiring and components by hand using non-corrosive cleaner.
3. Clean the inside of the engine compartment.
4. Clean any oil or liquid spills inside the engine compartment.
5. Empty the fluid containment tray. See **Draining the Fluid Containment Tray**.

Fluid Containment System

The unit contains a fluid containment system designed to catch fuel, oil or coolant spills. To drain:

1. Position a suitable container beneath the fluid containment drain (A, Figure 17)
2. Remove the drain plug.
3. Allow the fluid to drain completely into the container.
4. Reinstall the drain plug.
5. Dispose of the fluid properly in accordance with governmental guidelines.

17



Long-Term Storage

Proper maintenance is required when the unit will be stored or removed from operation for long periods of time.

Refer to the Engine Operator's Manual and the Generator Operator's Manual for all engine and generator long-term storage procedures.

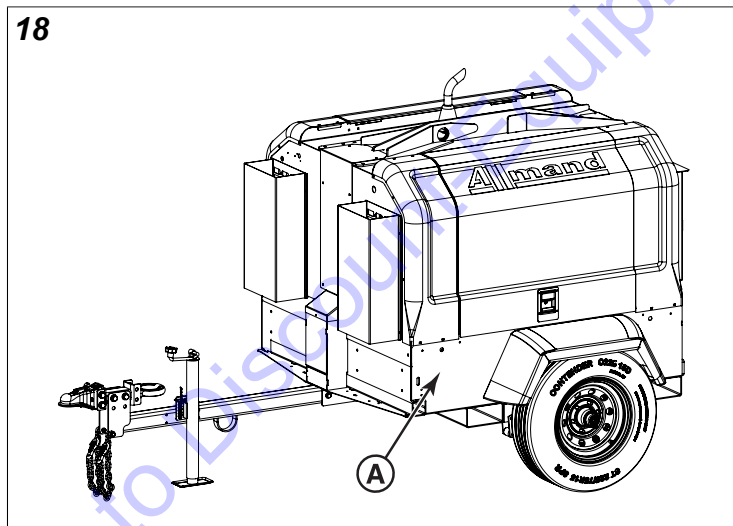
1. Make any repairs necessary to make sure the equipment is fully functional upon recommissioning.
2. Clean and wash the frame and body panels. Apply an anti-corrosion coating to all surfaces where applicable.
3. Clean any oil or liquid spills inside the engine compartment.
4. Drain the fluid containment system.
5. Clean all electrical wiring and components by hand using non-corrosive cleaner.
6. Disconnect and remove the battery.
7. Use a suitable cover to protect the unit.
8. Properly support the trailer axle on jack stands or other suitable supports to allow the tires to remain off the ground during storage.

Models and Serial Numbers

Model and serial number information is required for product support and repair parts. Following are the model and serial number locations of the primary components.

Trailer

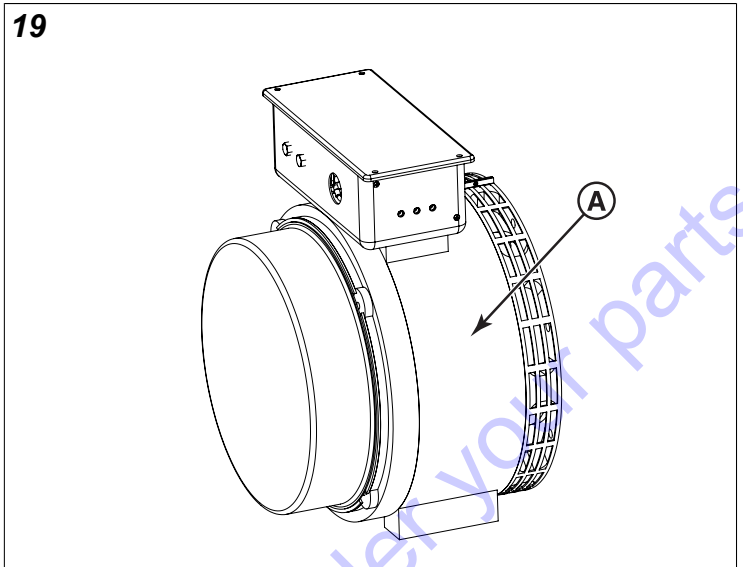
The serial number plate for the trailer is located on the left front side of the unit (A, Figure 18).



Generator

The generator has a serial number plate (A, Figure 19) attached to the side of the housing.

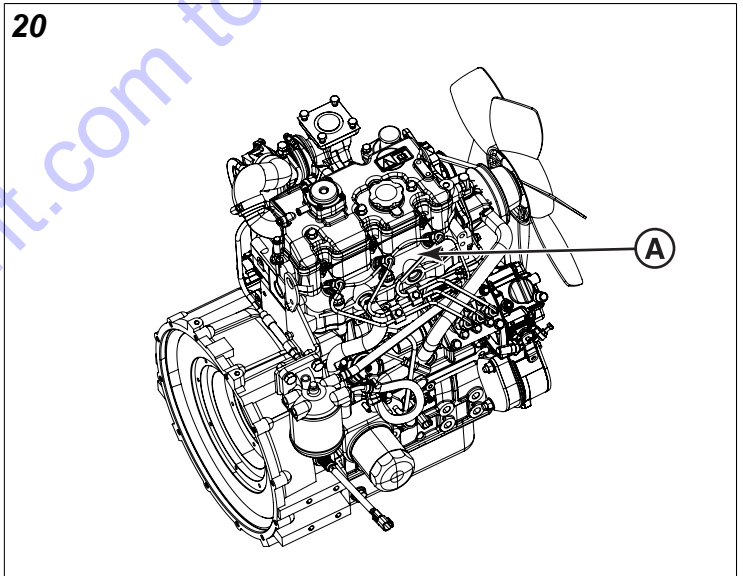
19



Engine

The engine has a serial number plate (A, Figure 20) attached near the top of the engine.

20



Troubleshooting

Before performing any troubleshooting procedures, read **Safety**.

For engine and generator troubleshooting, refer to the Engine Operator's Manual and Generator Operator's Manual, or contact your dealer.

For all other issues, contact your dealer.

Specifications

Overall Dimensions

Dimension	Imperial	Metric
Length	10 ft - 6 in	3,20 m
Width	6 ft - 5 in	1,96 m
Height	6 ft - 2 in	1,86 m
Bottom Clearance	8.5 in	216 mm

Shipping Weight	2500 lbs	1134 kg
Gross Vehicle Weight Rating (GVWR)	5000 lbs	2267 kg

Trailer

Specification	Imperial	Metric
Gross Axle Weight Rating (GAWR)	5000 lbs	2267 kg
Tire Size and Rating	ST225/75R15D Load Range 'D'	
Rims	15 x 6 JJ	
Cold Tire Inflation Pressure	65 psi	448 kPa
Max. On-Road Speed	65 mph	105 km/h
Max Off-Road Speed	20 mph	32 km/h
Fuel Tank	100 US Gallons	378 L
Frame Structure	Formed welded steel design	
Axle	Tubular design	
Hubs	(6) 1/2-20 UNF studs on a 5.5 inch (139,7 mm) bolt circle	
Springs	Elliptical springs - 3 Leafs	
Trailer Road Lighting	Stop, turn, tail, side markers, illuminated license plate bracket	
Trailer Road Light Connector	7-Way RV Connector	
Lifting Eye - Rated Capacity	5000 lbs	2267 kg
Tie-Down Points	2 tie-down slots in rear forklift pocket tube, and 2 tie-down slots at front forklift pocket tube	
Forklift Pockets	2 each side	

Electrical - AC Power

Frequency	60 Hz
Rated Prime Power Output with Perkins 1.5T Engine	15.0 kW
Alternator	120 / 240 VAC Automatic Voltage Regulator (AVR)
Phases	1-phase

Engine - General Service Information

PERKINS TURBO C1.5T		
Specification	Imperial	Metric
Model	Perkins C1.5T	
Type	Water-cooled 3-cylinder diesel	
Displacement	91 cu. in.	1491 cc
Aspiration	Turbo-charged	
Emissions	EPA Tier 4 Final / EU Stage IV	
Power Output - Prime	22.3 Hp @1800 rpm	16,6 kWm @1800 rpm
Fuel System	Indirect injection	
Starting Aid	Glow plug	
Engine Alternator	60 A	
Automatic Low Oil Pressure Shutdown	10 psi	69 kPa
Automatic High Water Temperature Shutdown	234° F	112° C

Fuel	North America - diesel fuels that meet ASTM D975 for Ultra Low Sulfur Diesel (ULSD) are required. ULSD has a maximum sulfur content of 15 parts per million (PPM) or 15 mg/kg. Diesel fuel may be No. 1-D or No. 2-D. Refer to Engine Operator's Manual for detailed information.	
Required Engine Oil Type	Refer to Engine Operator's Manual for detailed information.	
Engine Oil Capacity - with Filter	7.5 US qts	7,0 L
Coolant System Capacity	6.5 US qts	6,1 L
Required Engine Coolant Type	Nitrite Free Extended Life Coolant, Organic Acid Technology (OAT), 2-EHA Free	
Coolant Overflow Reservoir Capacity	1.1 US qts	1,0 L
Service Interval - Oil Change & Filter	500 hr	
Service Interval - Fuel Filter	500 hrs	
Service Interval - Air Filter	Refer to Engine Op Manual	
Note*	Engine oil must be checked prior to operation and refilled if necessary	

Electrical - DC Power

Engine Electrical System	12 Volt DC
Number of Batteries	1-2
Battery Size	Group 24
Battery Type	Standard - Lead Acid Optional - Absorbed Glass Mat (AGM)
Battery Rating	525 CCA @ 0°F (-18°C) 775 CCA @ 0°F (-18°C)

Component Manuals

In addition to this Operator's Manual, be sure to read any component manuals that are included with the machine.

For models equipped with Dexter axle, the operator's manuals can be found online at: <http://www.dexteraxle.com/resources/manuals>.

For electric brake maintenance, choose Light Duty Electric Brake.

For hubs, drums, and bearings maintenance, choose Light Duty Hubs Drums and Bearings.

For maintenance schedule, choose Light Duty Maintenance Schedule.

Reporting Safety Defects

Reporting Safety Defects to the United States Government

If you believe that your vehicle has a defect which could cause a crash or could cause injury or death, you should immediately inform the National Highway Traffic Safety Administration (NHTSA) in addition to notifying Allmand.

If NHTSA receives similar complaints, it may open an investigation, and if it finds that a safety defect exists in a group of vehicles, it may order a recall and remedy campaign. However, NHTSA cannot become involved in individual problems between you, your dealer, or Allmand.

To contact NHTSA, you may call the Vehicle Safety Hotline toll-free at 1-888-327-4236 (TTY: 1-800-424-9153); go to <http://www.safercar.gov>; or write to: Administrator, NHTSA, 400 Seventh Street, SW., Washington, DC 20590.

You can also obtain other information about motor vehicle safety from <http://www.safercar.gov>.

Reporting Safety Defects to the Canadian Government

If you live in Canada, and you believe that the vehicle has a safety defect, notify Transport Canada immediately, and notify Allmand. Call Transport Canada at 1-800-333-0510; go to: www.tc.gc.ca/recalls (English) www.tc.gc.ca/rappels (French); or write to: Transport Canada Motor Vehicle Safety Directorate Defect Investigations and Recalls Division, 80 Noel Street, Gatineau, QC J8Z 0A1

Reporting Safety Defects to Allmand

In addition to notifying NHTSA (or Transport Canada) in a situation like this, notify Allmand. Contact the Allmand service department at 1-800-562-1373, go to www.allmand.com, or write to: Allmand Bros., Inc.P.O. Box 888 Holdrege, NE 68949.

Tire Safety Information

The following section contains tire safety information as required by 49 CFR 575.6. It will cover the following:

- (i) Tire labeling, including a description and explanation of each marking on the tires provided with the vehicle, and information about the location of the Tire Identification Number (TIN);
- (ii) Recommended tire inflation pressure, including a description and explanation of:
 - (A) Recommended cold tire inflation pressure,
 - (B) The vehicle placard and tire inflation pressure label and their location in the vehicle
 - (C) Adverse safety consequences of underinflation (including tire failure), and
 - (D) Measuring and adjusting air pressure to achieve proper inflation;
- (iii) Glossary of tire terminology, including “cold tire pressure,” “maximum inflation pressure,” and “recommended inflation pressure,” and other non-technical terms;
- (iv) Tire care, including maintenance and safety practices;
- (v) Vehicle load limits, including a description and explanation of:
 - (A) Locating and understanding load limit information, total load capacity, seating capacity, towing capacity, and cargo capacity,
 - (B) Calculating total and cargo load capacities with varying seating configurations including quantitative examples showing/illustrating how the vehicle’s cargo and luggage capacity decreases as the combined number and size of occupants increases,

(C) Determining compatibility of tire and vehicle load capabilities,

(D) Adverse safety consequences of overloading on handling and stopping and on tires.

1. Steps for Determining Correct Load Limit—Trailer

Determining the load limits of a trailer includes more than understanding the load limits of the tires alone. On all trailers there is a Federal certification / VIN label that is located on the forward half of the left (road) side of the unit. This certification / VIN label will indicate the trailer’s Gross Vehicle Weight Rating (GVWR). This is the most weight the fully loaded trailer can weigh. It will also provide the Gross Axle Weight Rating (GAWR). This is the most a particular axle can weigh. If there are multiple axles, the GAWR of each axle will be provided.

If your trailer has a GVWR of 10,000 pounds or less, there is a vehicle placard located in the same location as the certification label described above. This placard provides tire and loading information. In addition, this placard will show a statement regarding maximum cargo capacity. Cargo can be added to the trailer, up to the maximum weight specified on the placard. The combined weight of the cargo is provided as a single number. In any case, remember: the total weight of a fully loaded trailer can not exceed the stated GVWR.

For trailers with living quarters installed, the weight of water and propane also need to be considered. The weight of fully filled propane containers is considered part of the weight of the trailer before it is loaded with cargo, and is not considered part of the disposable cargo load. Water however, is a disposable cargo weight and is treated as such. If there is a fresh water storage tank of 100 gallons, this tank when filled would weigh about 800 pounds. If more cargo is being transported, water can be off-loaded to keep the total amount of cargo added to the vehicle within the limits of the GVWR so as not to overload the vehicle. Understanding this flexibility will allow you, the owner, to make choices that fit your travel needs.

When loading your cargo, be sure it is distributed evenly to prevent overloading front to back and side to side. Heavy items should be placed low and as close to the axle positions as reasonable. Too many items on one side may overload a tire. The best way to know the actual weight of the vehicle is to weigh it at a public scale. Talk to your dealer to discuss the weighing methods needed to capture the various weights related to the trailer. This would include the weight empty or unloaded, weights per axle, wheel, hitch or king-pin, and total weight.

Excessive loads and / or underinflation cause tire overloading and, as a result, abnormal tire flexing occurs. This situation can generate an excessive amount of heat within the tire. Excessive heat may lead to tire failure. It is the air pressure that enables a tire to support the load, so proper inflation is critical. The proper air pressure may be found on the certification / VIN label and/or on the Tire Placard. This value should never exceed the maximum cold inflation pressure stamped on the tire.

1.1 Trailers 10,000 Pounds (4536 kg) GVWR or less

- (1) Locate the statement “The weight of cargo should never exceed XXX kg or XXX lbs.” on your vehicle’s placard.
- (2) This figure equals the available amount of cargo and luggage load capacity.
- (3) Determine the combined weight of luggage and cargo being loaded on the vehicle. That weight may not safely exceed the available cargo and luggage load capacity.

1.2 Trailers over 10,000 Pounds (4536 kg) GVWR (Note: These trailers are not required to have a tire information placard on the vehicle.)

- (1) Determine the empty weight of your trailer by weighing the trailer using a public scale or other means. This step does not have to be repeated.
- (2) Locate the GVWR of the trailer on your trailer’s VIN (Certification) label.
- (3) Subtract the empty weight of your trailer from the GVWR stated on the VIN label. That weight is the maximum available cargo capacity of the trailer and may not be safety exceeded.

2. Steps for Determining Correct Load Limit—Tow Vehicle

- (1) Locate the statement “The combined weight of occupants and cargo should never exceed XXX kg or XXX lbs.” on your vehicle’s placard.
- (2) Determine the combined weight of the driver and passengers that will be riding in your vehicle.
- (3) Subtract the combined weight of the driver and passengers from XXX kg or XXX lbs.
- (4) The resulting figure equals the available amount of cargo and luggage load capacity. For example, if the “XXX” amount equals 1400 lbs. and there will be five 150 lb passengers in your vehicle, the amount of available cargo and luggage load capacity is 650 lbs. (1400–750 (5 × 150) = 650 lbs.)
- (5) Determine the combined weight of luggage and cargo being loaded on the vehicle. That weight may not safely exceed the available cargo and luggage load capacity calculated in Step 4.
- (6) If your vehicle will be towing a trailer, load from your trailer will be transferred to your vehicle. Consult the tow vehicle’s manual to determine how this reduces the available cargo and luggage load capacity of your vehicle.

3. Glossary of Tire Terminology

Accessory weight means the combined weight (in excess of those standard items which may be replaced) of automatic transmission, power steering, power brakes, power windows, power seats, radio, and heater, to the extent that these items are available as factory-installed equipment (whether installed or not).

Bead means the part of the tire that is made of steel wires, wrapped or reinforced by ply cords and that is shaped to fit the rim.

Bead separation means a breakdown of the bond between components in the bead.

Bias ply tire means a pneumatic tire in which the ply cords that extend to the beads are laid at alternate angles substantially less than 90 degrees to the centerline of the tread.

Carcass means the tire structure, except tread and sidewall rubber which, when inflated, bears the load.

Chunking means the breaking away of pieces of the tread or sidewall.

Cord means the strands forming the plies in the tire.

Cord separation means the parting of cords from adjacent rubber compounds.

Cracking means any parting within the tread, sidewall, or inner liner of the tire extending to cord material.

Curb weight means the weight of a motor vehicle with standard equipment including the maximum capacity of fuel, oil, and coolant, and, if so equipped, air conditioning and additional weight optional engine.

Cold inflation pressure means the tire pressure when the vehicle hasn’t been driven for at least three hours.

Extra load tire means a tire designed to operate at higher loads and higher inflation pressure than the corresponding standard tire.

Groove means the space between two adjacent tread ribs.

Gross Axle Weight Rating or GAWR means the value specified by the vehicle manufacturer as the load-carrying capacity of a single axle system, as measured at the tire-ground interfaces.

Gross vehicle weight rating or GVWR means the value specified by the manufacturer as the loaded weight of a single vehicle.

Hitch Weight means the downward force exerted on the hitch ball by the trailer coupler.

Innerliner means the layer(s) forming the inside surface of a tubeless tire that contains the inflating medium within the tire.

Innerliner separation means the parting of the innerliner from cord material in the carcass.

Light truck (LT) tire means a tire designated by its manufacturer as primarily intended for use on lightweight trucks or multipurpose passenger vehicles.

Load rating means the maximum load that a tire is rated to carry for a given inflation pressure.

Maximum load rating means the load rating for a tire at the maximum permissible inflation pressure for that tire.

Maximum permissible inflation pressure means the maximum cold inflation pressure to which a tire may be inflated.

Maximum loaded vehicle weight means the sum of — (a) Curb weight; (b) Accessory weight; (c) Vehicle capacity weight; and (d) Production options weight.

Measuring rim means the rim on which a tire is fitted for physical dimension requirements.

Non-pneumatic rim means a mechanical device which, when a non-pneumatic tire assembly incorporates a wheel, supports the tire, and attaches, either integrally or separably, to the wheel center member and upon which the tire is attached.

Non-pneumatic spare tire assembly means a non-pneumatic tire assembly intended for temporary use in place of one of the pneumatic tires and rims that are fitted to a passenger car in compliance with the requirements of this standard.

Non-pneumatic tire means a mechanical device which transmits, either directly or through a wheel or wheel center member, the vertical load and tractive forces from the roadway to the vehicle, generates the tractive forces that provide the directional control of the vehicle and does not rely on the containment of any gas or fluid for providing those functions.

Non-pneumatic tire assembly means a non-pneumatic tire, alone or in combination with a wheel or wheel center member, which can be mounted on a vehicle.

Normal occupant weight means 68 kilograms (150 lbs.) times the number of occupants specified in the second column of Table I of 49 CFR 571.110.

Occupant distribution means distribution of occupants in a vehicle as specified in the third column of Table I of 49 CFR 571.110.

Open splice means any parting at any junction of tread, sidewall, or innerliner that extends to cord material.

Outer diameter means the overall diameter of an inflated new tire.

Overall width means the linear distance between the exteriors of the sidewalls of an inflated tire, including elevations due to labeling, decorations, or protective bands or ribs.

Passenger car tire means a tire intended for use on passenger cars, multipurpose passenger vehicles, and trucks, that have a gross vehicle weight rating (GVWR) of 10,000 pounds or less.

Pin weight means the downward force applied to the 5th wheel or gooseneck ball, by the trailer kingpin or gooseneck coupler.

Ply means a layer of rubber-coated parallel cords.

Ply separation means a parting of rubber compound between adjacent plies.

Pneumatic tire means a mechanical device made of rubber, chemicals, fabric and steel or other materials, that, when mounted on an automotive wheel, provides the traction and contains the gas or fluid that sustains the load.

Production options weight means the combined weight of those installed regular production options weighing over 2.3 kilograms in excess of those standard items which they replace, not previously considered in curb weight or accessory weight, including heavy duty brakes, ride levelers, roof rack, heavy duty battery, and special trim.

Radial ply tire means a pneumatic tire in which the ply cords that extend to the beads are laid at substantially 90 degrees to the centerline of the tread.

Recommended inflation pressure means the proper Cold Inflation Pressure as shown on the Tire Information label.

Reinforced tire means a tire designed to operate at higher loads and at higher inflation pressures than the corresponding standard tire.

Rim means a metal support for a tire or a tire and tube assembly upon which the tire beads are seated. **Rim diameter** means nominal diameter of the bead seat.

Rim size designation means rim diameter and width.

Rim type designation means the industry of manufacturer's designation for a rim by style or code.

Rim width means nominal distance between rim flanges.

Section width means the linear distance between the exteriors of the sidewalls of an inflated tire, excluding elevations due to labeling, decoration, or protective bands.

Sidewall means that portion of a tire between the tread and bead.

Sidewall separation means the parting of the rubber compound from the cord material in the sidewall.

ST tire means a tire designed for use only on trailers drawn on a road.

Test rim means the rim on which a tire is fitted for testing, and may be any rim listed as appropriate for use with that tire.

Tread means that portion of a tire that comes into contact with the road.

Tread rib means a tread section running circumferentially around a tire.

Tread separation means pulling away of the tread from the tire carcass.

Treadwear indicators (TWI) means the projections within the principal grooves designed to give a visual indication of the degrees of wear of the tread.

Vehicle capacity weight means the rated cargo and luggage load plus 68 kilograms times the vehicle's designated seating capacity.

Vehicle maximum load on the tire means that load on an individual tire that is determined by distributing to each axle its share of the maximum loaded vehicle weight and dividing by two.

Vehicle normal load on the tire means that load on an individual tire that is determined by distributing to each axle its share of the curb weight, accessory weight, and normal occupant weight (distributed in accordance with Table I of 49 CFR 571.110) and dividing by 2.

Wheel center member means, in the case of a non-pneumatic tire assembly incorporating a wheel, a mechanical device which attaches, either integrally or separably, to the non-pneumatic rim and provides the connection between the non-pneumatic rim and the vehicle; or in the case of a nonpneumatic tire assembly not incorporating a wheel, a mechanical device which attaches, either integrally or separably, to the non-pneumatic tire and provides the connection between the tire and the vehicle.

Wheel-holding fixture means the fixture used to hold the wheel and tire assembly securely during testing.

4. Tire Safety - Everything Rides On It

The National Traffic Safety Administration (NHTSA) has published a brochure (DOT HS 809 361) that discusses all aspects of Tire Safety, as required by 49 CFR 575.6. This brochure is reproduced in part below. It can be obtained and downloaded from NHTSA, free of charge, from the following web site:

http://www.nhtsa.dot.gov/cars/rules/TireSafety/ridesonit/tires_index.html

Studies of tire safety show that maintaining proper tire pressure, observing tire and vehicle load limits (not carrying more weight in your vehicle than your tires or vehicle can safely handle), avoiding road hazards, and inspecting tires for cuts, slashes, and other irregularities are the most important things you can do to avoid tire failure, such as tread separation or blowout and flat tires. These actions, along with other care and maintenance activities, can also:

- Improve vehicle handling
- Help protect you and others from avoidable breakdowns and accidents
- Improve fuel economy
- Increase the life of your tires

This booklet presents a comprehensive overview of tire safety, including information on the following topics:

- Basic tire maintenance
- Uniform Tire Quality Grading System
- Fundamental characteristics of tires
- Tire safety tips. Use this information to make tire safety a regular part of your vehicle maintenance routine.

Recognize that the time you spend is minimal compared with the inconvenience and safety consequences of a flat tire or other tire failure.

Safety First—Basic Tire Maintenance

Properly maintained tires improve the steering, stopping, traction, and load-carrying capability of your vehicle. Underinflated tires and overloaded vehicles are a major cause of tire failure. Therefore, as mentioned above, to avoid flat tires and other types of tire failure, you should maintain proper tire pressure, observe tire and vehicle load limits, avoid road hazards, and regularly inspect your tires.

Finding Your Vehicle's Recommended Tire Pressure And Load Limits

Tire information placards and vehicle certification labels contain information on tires and load limits. These labels indicate the vehicle manufacturer's information including:

- Recommended tire size
- Recommended tire inflation pressure
- Vehicle capacity weight (VCW – the maximum occupant and cargo weight a vehicle is designed to carry)

- Front and rear gross axle weight ratings (GAWR – the maximum weight the axle systems are designed to carry).

Both placards and certification labels are permanently attached to the trailer near the left front.

Understanding Tire Pressure And Load Limits

Tire inflation pressure is the level of air in the tire that provides it with load-carrying capacity and affects the overall performance of the vehicle. The tire inflation pressure is a number that indicates the amount of air pressure—measured in pounds per square inch (psi)—a tire requires to be properly inflated. (You will also find this number on the vehicle information placard expressed in kilopascals (kpa), which is the metric measure used internationally.)

Manufacturers of passenger vehicles and light trucks determine this number based on the vehicle's design load limit, that is, the greatest amount of weight a vehicle can safely carry and the vehicle's tire size. The proper tire pressure for your vehicle is referred to as the "recommended cold inflation pressure." (As you will read below, it is difficult to obtain the recommended tire pressure if your tires are not cold.)

Because tires are designed to be used on more than one type of vehicle, tire manufacturers list the "maximum permissible inflation pressure" on the tire sidewall. This number is the greatest amount of air pressure that should ever be put in the tire under normal driving conditions.

Checking Tire Pressure

It is important to check your vehicle's tire pressure at least once a month for the following reasons:

- Most tires may naturally lose air over time.
- Tires can lose air suddenly if you drive over a pothole or other object or if you strike the curb when parking.
- With radial tires, it is usually not possible to determine underinflation by visual inspection.

For convenience, purchase a tire pressure gauge to keep in your vehicle. Gauges can be purchased at tire dealerships, auto supply stores, and other retail outlets.

The recommended tire inflation pressure that vehicle manufacturers provide reflects the proper psi when a tire is cold. The term cold does not relate to the outside temperature. Rather, a cold tire is one that has not been driven on for at least three hours.

When you drive, your tires get warmer, causing the air pressure within them to increase. Therefore, to get an accurate tire pressure reading, you must measure tire pressure when the tires are cold or compensate for the extra pressure in warm tires.

Steps For Maintaining Proper Tire Pressure

- Step 1: Locate the recommended tire pressure on the vehicle's tire information placard, certification label, or in the owner's manual.
- Step 2: Record the tire pressure of all tires.

- Step 3: If the tire pressure is too high in any of the tires, slowly release air by gently pressing on the tire valve stem with the edge of your tire gauge until you get to the correct pressure.
- Step 4: If the tire pressure is too low, note the difference between the measured tire pressure and the correct tire pressure. These “missing” pounds of pressure are what you will need to add.
- Step 5: At a service station, add the missing pounds of air pressure to each tire that is underinflated.
- Step 6: Check all the tires to make sure they have the same air pressure (except in cases in which the front and rear tires are supposed to have different amounts of pressure).

If you have been driving your vehicle and think that a tire is underinflated, fill it to the recommended cold inflation pressure indicated on your vehicle’s tire information placard or certification label. While your tire may still be slightly underinflated due to the extra pounds of pressure in the warm tire, it is safer to drive with air pressure that is slightly lower than the vehicle manufacturer’s recommended cold inflation pressure than to drive with a significantly underinflated tire. Since this is a temporary fix, don’t forget to recheck and adjust the tire’s pressure when you can obtain a cold reading.

Tire Size

To maintain tire safety, purchase new tires that are the same size as the vehicle’s original tires or another size recommended by the manufacturer. Look at the tire information placard, the owner’s manual, or the sidewall of the tire you are replacing to find this information. If you have any doubt about the correct size to choose, consult with the tire dealer.

Tire Tread

The tire tread provides the gripping action and traction that prevent your vehicle from slipping or sliding, especially when the road is wet or icy. In general, tires are not safe and should be replaced when the tread is worn down to 1/16 of an inch. Tires have built-in treadwear indicators that let you know when it is time to replace your tires. These indicators are raised sections spaced intermittently in the bottom of the tread grooves. When they appear “even” with the outside of the tread, it is time to replace your tires. Another method for checking tread depth is to place a penny in the tread with Lincoln’s head upside down and facing you. If you can see the top of Lincoln’s head, you are ready for new tires.

Tire Balance And Wheel Alignment

To avoid vibration or shaking of the vehicle when a tire rotates, the tire must be properly balanced. This balance is achieved by positioning weights on the wheel to counterbalance heavy spots on the wheel-and-tire assembly. A wheel alignment adjusts the angles of the wheels so that they are positioned correctly relative to the vehicle’s frame. This adjustment maximizes the life of your tires. These adjustments require special equipment and should be performed by a qualified technician.

Tire Repair

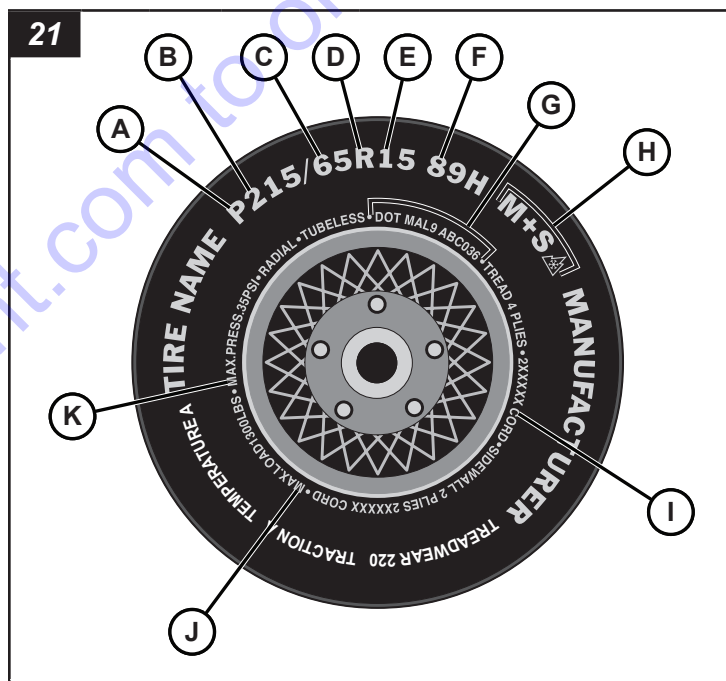
The proper repair of a punctured tire requires a plug for the hole and a patch for the area inside the tire that surrounds the puncture hole. Punctures through the tread can be repaired if they are not too large, but punctures to the sidewall should not be repaired. Tires must be removed from the rim to be properly inspected before being plugged and patched.

Tire Fundamentals

Federal law requires tire manufacturers to place standardized information on the sidewall of all tires. This information identifies and describes the fundamental characteristics of the tire and also provides a tire identification number for safety standard certification and in case of a recall.

Information on Passenger Vehicle Tires

Please refer to Figure 21 and the information following.



A- ‘P’ indicates the tire is for passenger vehicles.

B- This three-digit number gives the width in millimeters of the tire from sidewall edge to sidewall edge. In general, the larger the number, the wider the tire.

C- This two-digit number, known as the aspect ratio, gives the tire’s ratio of height to width. Numbers of 70 or lower indicate a short sidewall for improved steering response and better overall handling on dry pavement.

D- “R” stands for radial. Radial ply construction of tires has been the industry standard for the past 20 years.

E- This two-digit number is the wheel or rim diameter in inches. If you change your wheel size, you will have to purchase new tires to match the new wheel diameter.

F-

(Number) This two- or three-digit number is the tire's load index. It is a measurement of how much weight each tire can support. You may find this information in your owner's manual. If not, contact a local tire dealer. *Note: You may not find this information on all tires because it is not required by law.*

(Letter) The speed rating denotes the speed at which a tire is designed to be driven for extended periods of time. The ratings range from 99 miles per hour (mph) to 186 mph. These ratings are listed below. *Note: You may not find this information on all tires because it is not required by law.*

Letter Rating	Speed Rating
Q	99 mph
R	106 mph
S	112 mph
T	118 mph
U	124 mph
H	130 mph
V	168 mph*
Y	186 mph*

**Note: For tires with a maximum speed capability over 149 mph, tire manufacturers sometimes use the letters ZR. For those with a maximum speed capability over 186 mph, tire manufacturers always use the letters ZR.*

G- U.S. DOT Tire Identification Number. This begins with the letters "DOT" and indicates that the tire meets all federal standards. The next two numbers or letters are the plant code where it was manufactured, and the last four numbers represent the week and year the tire was built. For example, the numbers 3197 means the 31st week of 1997. The other numbers are marketing codes used at the manufacturer's discretion. This information is used to contact consumers if a tire defect requires a recall.

H- The "M+S" or "M/S" indicates that the tire has some mud and snow capability. Most radial tires have these markings; hence, they have some mud and snow capability.

I- Tire Ply Composition and Materials Used. The number of plies indicates the number of layers of rubber-coated fabric in the tire. In general, the greater the number of plies, the more weight a tire can support. Tire manufacturers also must indicate the materials in the tire, which include steel, nylon, polyester, and others.

J- Maximum Load Rating. This number indicates the maximum load in kilograms and pounds that can be carried by the tire.

K- Maximum Permissible Inflation Pressure. This number is the greatest amount of air pressure that should ever be put in the tire under normal driving conditions.

Uniform Tire Quality Grading (UTQGS)

Quality grades can be found where applicable on the tire sidewall between tread shoulder and maximum section width. For example:

TREADWEAR 200 TRACTION AA

Temperature A

All Passenger Car Tires Must Conform to Federal Safety Requirements in Addition to These Grades

Treadwear

The treadwear grade is a comparative rating based on the wear rate of the tire when tested under controlled conditions on a specified government test course. For example, a tire graded 150 would wear one and one-half (1½) times as well on the government course as a tire graded 100. The relative performance of tires depends upon the actual conditions of their use, however, and may depart significantly from the norm due to variations in driving habits, service practices and differences in road characteristics and climate.

Traction

The traction grades, from highest to lowest, are AA, A, B, and C. Those grades represent the tire's ability to stop on wet pavement as measured under controlled conditions on specified government test surfaces of asphalt and concrete. A tire marked C may have poor traction performance.

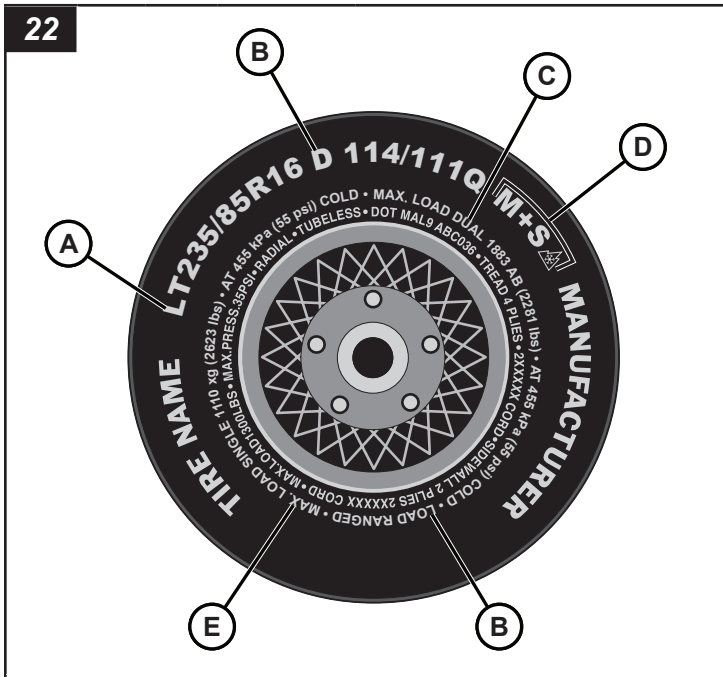
Warning: The traction grade assigned to this tire is based on straight-ahead braking traction tests, and does not include acceleration, cornering, hydroplaning, or peak traction characteristics.

Temperature

The temperature grades are A (the highest), B, and C, representing the tire's resistance to the generation of heat and its ability to dissipate heat when tested under controlled conditions on a specified indoor laboratory test wheel. Sustained high temperature can cause the material of the tire to degenerate and reduce tire life, and excessive temperature can lead to sudden tire failure. The grade C corresponds to a level of performance which all passenger car tires must meet under the Federal Motor Safety Standard No. 109. Grades B and A represent higher levels of performance on the laboratory test wheel than the minimum required by law. *Warning: The temperature grade for this tire is established for a tire that is properly inflated and not overloaded. Excessive speed, underinflation, or excessive loading, either separately or in combination, can cause heat buildup and possible tire failure.*

Additional Information on Light Truck Tires

Tires for light trucks have other markings besides those found on the sidewalls of passenger tires. See Figure 22 and the information following.



A- The “LT” indicates the tire is for light trucks. An “ST” is an indication the tire is for trailer use only.

B- Load Range. This information identifies the tire’s load-carrying capabilities and its inflation limits.

C- Maximum Load Dual. This information indicates the maximum load and tire pressure when the tire is used as a dual, that is, when four tires are put on each rear axle (a total of six or more tires on the vehicle).*

D- The “M+S” or “M/S” indicates that the tire has some mud and snow capability. Most radial tires have these markings; hence, they have some mud and snow capability.

E- This information indicates the maximum load and tire pressure when the tire is used as a single.*

*Note: Maximum load is presented in kilograms and pounds (kg/ lbs). Maximum tire pressure is presented in kilopascals and pounds per square inch (kPa/psi) for when the tire is cold.

Tire Safety Tips

Preventing Tire Damage

- Slow down if you have to go over a pothole or other object in the road.
- Do not run over curbs of foreign objects in the roadway, and try not to strike the curb when parking.

Tire Safety Checklist

- Check tire pressure regularly (at least once a month), including the spare.
- Inspect tires for cracks, foreign objects, uneven wear patterns on the tread, or other signs of wear or trauma.
- Remove bits of glass and foreign objects wedged in the tread.
- Make sure your tire valves have valve caps.

- Check tire pressure before going on a long trip.
- Do not overload your vehicle. Check the tire information placard or owner’s manual for the maximum recommended load for the vehicle.

Addendum - Unit Options

Battery Disconnect

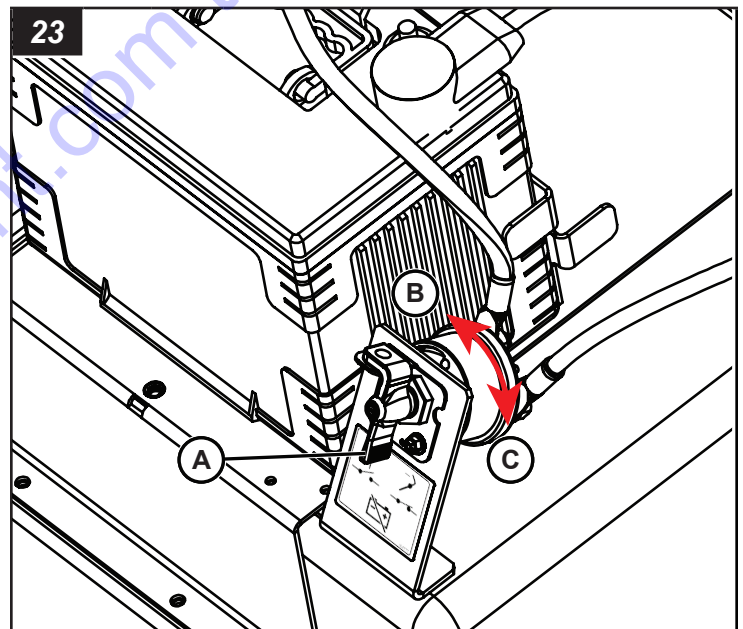
The optional battery disconnect allows convenient, tool-free disconnection of the battery while the unit is in storage or not in use, or to prevent unauthorized unit operation.

To disconnect the battery:

1. Turn the switch (A, Figure 23) to the Disconnect position (B, Figure 23).
2. A padlock (not supplied) can be used for added security.

To connect the battery:

1. Remove the padlock (if used).
2. Turn the switch to the Connect position (C, Figure 23).



Engine Air Intake Emergency Shut-Off Valve

The optional air intake emergency shut-off valve automatically closes the valve and shuts down the engine when an overspeed runaway condition occurs.

Refer to the Pacbrake PH3 programming manual for more information on operation and programming.

WARNING

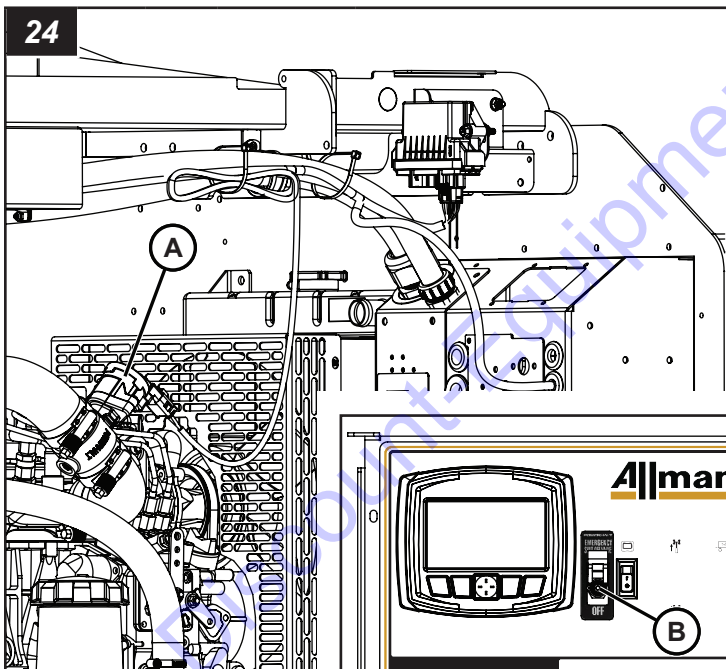
If the air intake emergency shut-off valve has shut the engine down, leave the area immediately and obey the safety procedures for your jobsite. Do not reset or start the machine until the source of the problem has been identified and a solution has been found.

Auto Mode Operation

1. If there is an overspeed runaway condition in the engine, the controller will detect this issue and automatically close the air intake emergency shut-off valve (A, Figure 24) and shut down the engine.
2. The shut-off valve will remain closed for 15 seconds, and will automatically reset to the open position.
3. Identify the source of the issue, and correct the issue.
4. Reset the Deep Sea controller by switching the engine control panel ON / OFF switch to the 'OFF' position and back to the 'ON' position. See **Operating the Engine** for engine operating procedures.

Manual/Test Mode Operation

1. Press down the emergency shut-off valve toggle switch (B, Figure 24) to the 'OFF' position to close the valve.
2. Release the emergency shut-off valve switch to 'ON' position to reset the valve to the open position.
3. *Manual Mode:* Identify the source of the issue, and correct the issue.
Test Mode: Check functionality of the valve.
4. Reset the Deep Sea controller by switching the engine control panel ON / OFF switch to the 'OFF' position and back to the 'ON' position. See **Operating the Engine** for engine operating procedures.



Emergency Stop

Some units are equipped with an emergency stop that will immediately shut the entire unit down in case of an emergency.

To Engage:

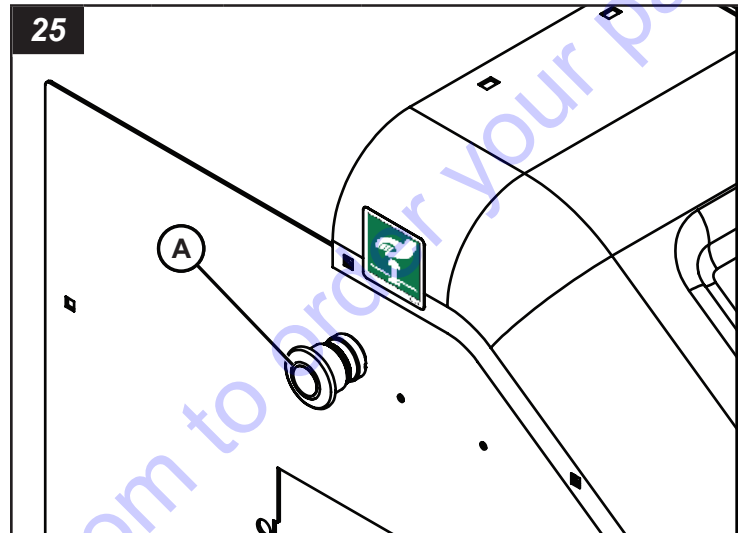
- Push the emergency stop (A, Figure 25).

To Disengage:

- Pull the emergency stop.

Make sure that you address the issue that caused the emergency before you operate the unit again.

Unnecessary or excessive use of the emergency stop may damage engine. Do not use the emergency stop to shut down the unit during normal operation. See **To Shut Down The Engine**.



Block Heaters

Engine block heaters come on light tower units that are equipped with optional arctic packages. The frost plug style block heater comes standard in the arctic package while the diesel fired block heater comes standard in the arctic max package.

Frost Plug Style Block Heater

The light tower trailer can be equipped with an optional 400W, 3.3A, 120V, 60Hz electric, frost plug style block heater. Use a grounded (3 prong) extension cord to connect to the plug of the block heater to an appropriate electric power source.

The block heater is located on the right side when viewed from the fan side.

Diesel Fired Block Heater

The light tower trailer can be equipped with an optional Webasto Thermo Top Evo diesel fired block heater. This block heater burns diesel fuel that ignites to a heat exchanger which in turn warms the coolant in the engine block through a system of inlet and outlet coolant block heater hoses.

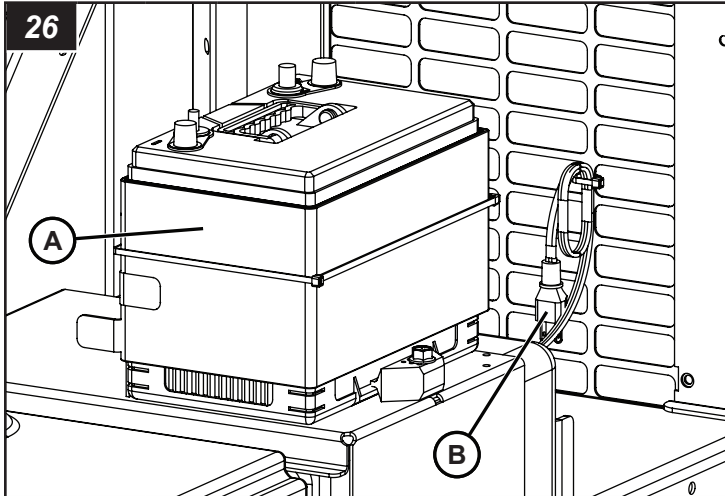
The diesel fired block heater temperature and time parameters are controlled by the Deep Sea controller. Refer to the Deep Sea operator manual for further instructions on how to set these parameters.

Battery Heater

The battery heater (A, Figure 26) keeps the battery heated while the unit is stored or not in use.

The battery heater should be used whenever the unit is stored or not in use in temperatures below 32° F (0° C).

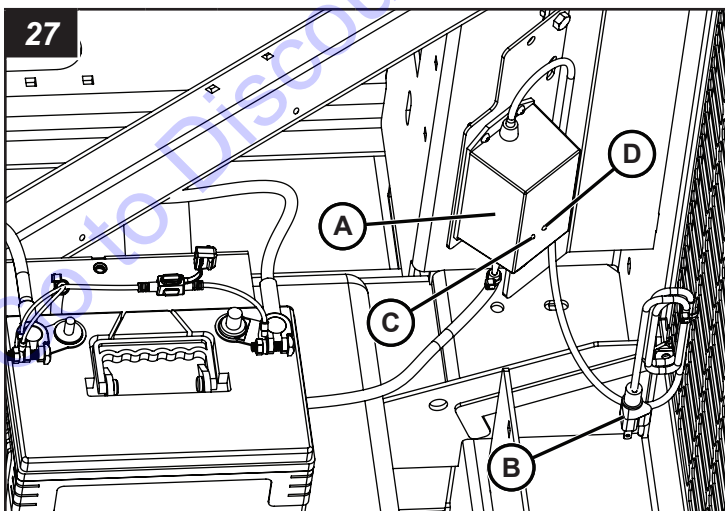
1. Plug the male end of the power cord (B, Figure 26) into a standard 120V outlet.
2. Unplug the block battery heater before putting the unit into operation.



Battery Charger

The battery charger (A, Figure 27) keeps the battery charged while the unit is stored or not in use.

1. Plug the male end of the power cord (B, Figure 27) into a standard 120V outlet.
2. The red light (C, Figure 34) on the battery charger module, located in the left front section of the engine compartment (see Figure 34) indicates the battery is charging. The green light (D, Figure 34) indicates full charge. (The battery charger can stay plugged in after the battery reaches full charge without damaging the battery.)
3. Unplug the battery charger before putting the unit into operation.



PARTS FINDER

**Search Website
by Part Number**



**Search Manual
Library For Parts
Manual & Lookup Part
Numbers – Purchase
or Request Quote**

Search Manuals

Enter your information to help us find the right parts manual for your machine.

* Brand:

* Model:

* Serial:

* Part Number:

SEARCH

**Can't Find Part or
Manual? Request Help
by Manufacturer,
Model & Description**

Parts Order Form

Please fill in the following information to help us find the right part for your machine.

Manufacturer:	<input type="text"/>
Model:	<input type="text"/>
Description:	<input type="text"/>
Part Number:	<input type="text"/>
Quantity:	<input type="text"/>
Notes:	<input type="text"/>

Discount-Equipment.com is your online resource for quality parts & equipment.

Florida: **561-964-4949** Outside Florida TOLL FREE: **877-690-3101**

Need parts?

Click on this link: <http://www.discount-equipment.com/category/5443-parts/> and choose one of the options to help get the right parts and equipment you are looking for. Please have the machine model and serial number available in order to help us get you the correct parts. If you don't find the part on the website or on one of the online manuals, please fill out the request form and one of our experienced staff members will get back to you with a quote for the right part that your machine needs.

We sell worldwide for the brands: Genie, Terex, JLG, MultiQuip, Mikasa, Essick, Whiteman, Mayco, Toro Stone, Diamond Products, Generac Magnum, Airman, Haulotte, Barreto, Power Blanket, Nifty Lift, Atlas Copco, Chicago Pneumatic, Allmand, Miller Curber, Skyjack, Lull, Skytrak, Tsurumi, Husquvarna Target, Stow, Wacker, Sakai, Mi-T-M, Sullair, Basic, Dynapac, MBW, Weber, Bartell, Bennar Newman, Haulotte, Ditch Runner, Menegotti, Morrison, Contec, Buddy, Crown, Edco, Wyco, Bomag, Laymor, EZ Trench, Bil-Jax, F.S. Curtis, Gehl Pavers, Heli, Honda, ICS/PowerGrit, IHI, Partner, Imer, Clipper, MMD, Koshin, Rice, CH&E, General Equipment, Amida, Coleman, NAC, Gradall, Square Shooter, Kent, Stanley, Tamco, Toku, Hatz, Kohler, Robin, Wisconsin, Northrock, Oztec, Toker TK, Rol-Air, APT, Wylie, Ingersoll Rand / Doosan, Innovatech, Con X, Ammann, Mecalac, Makinex, Smith Surface Prep, Small Line, Wanco, Yanmar

Go to Discount-Equipment.com to order your parts

Productos cubiertos por este manual

Los siguientes productos se cubren en este manual:

Maxi-Power™ MP15XR

Índice de contenidos:

Introducción.....	29
Seguridad.....	29
Características y controles.....	34
Lista de verificación previa a la operación.....	35
Transporte.....	36
Funcionamiento.....	41
Mantenimiento.....	43
Solución de problemas.....	47
La sección.....	47
Información de defectos de seguridad.....	48
Información de seguridad de neumáticos.....	48
Anexo: Opciones de la unidad.....	56



ADVERTENCIA

Respirar los gases de escape del motor diésel lo expone a sustancias químicas que, de acuerdo con el estado de California, causan cáncer, defectos de nacimiento u otros problemas reproductivos.

- Siempre arranque y haga funcionar el motor en un área bien ventilada.
- Si se encuentra en un área cerrada, oriente el escape hacia el exterior.
- No modifique ni altere el sistema de escape.
- No deje el motor inactivo, a menos que sea necesario.

Para obtener más información, visite www.P65Warnings.ca.gov/diesel.



Indica un posible riesgo para su integridad física.



PELIGRO

Indica un riesgo que, de no evitarse, provocará la muerte o lesiones de gravedad.



ADVERTENCIA

Indica un riesgo que, de no evitarse, podría provocar la muerte o lesiones de gravedad.



PRECAUCIÓN

Indica un riesgo que, de no evitarse, podría provocar lesiones leves o moderadas.

AVISO

Información que se considera importante pero que no está relacionada con un peligro potencial.

Precauciones de seguridad

La siguiente sección contiene precauciones y pautas generales de seguridad que se deben obedecer para reducir el riesgo para la seguridad personal. Las precauciones especiales de seguridad se indican en procedimientos específicos. Lea y comprenda todas las precauciones de seguridad antes de operar o realizar reparaciones o mantenimiento.

La información que encuentre en este manual está vigente a partir del momento de la impresión. Allmand Bros Inc. puede cambiar los contenidos sin previo aviso si se ve en la obligación.

Todas las imágenes de este manual son representativas y pueden diferir de su modelo.

Toda referencia “hacia la derecha” o “hacia la izquierda” que se haga en este manual, deberá determinarse mirando el remolque desde la parte posterior.

Si no está seguro acerca de la información de este manual, comuníquese con el Departamento de Mantenimiento de Allmand al 1-800-562-1373, o bien, comuníquese con nosotros en el sitio web de Allmand, www.allmand.com.

Conserve estas instrucciones originales para futuras consultas.

Seguridad

Definiciones de seguridad

Para su seguridad, la seguridad de otros y para proteger el rendimiento del equipo, siga las precauciones que se indican en todo el manual antes de la operación, durante la operación y durante los procedimientos de mantenimiento periódico.

Introducción

Acerca de este manual

TÓMESE EL TIEMPO PARA LEER ESTE MANUAL MINUCIOSAMENTE

Este manual de instrucciones brinda todas las instrucciones necesarias para Allmand® Maxi-Power™ MP15XR Portable Generator.



PELIGRO

Peligro de electrocución

- Cuando el motor está en funcionamiento, se produce un alto voltaje. Nunca intente realizar mantenimiento a los componentes eléctricos mientras el motor esté en funcionamiento.
- No haga funcionar la unidad si el aislamiento en el cable eléctrico u otro cableado eléctrico presenta cortes o desgaste o bien, si hay cables desnudos expuestos. Repare o reemplace el cableado dañado antes de arrancar el motor.



ADVERTENCIA

Peligro de operación no segura

- Nunca permita que alguien instale u opere el equipo si no cuenta con la capacitación adecuada.
- Lea y comprenda este manual del operador y el Manual del operador del motor, y los manuales de cualquier otro componente, antes de hacer funcionar o dar mantenimiento al equipo, para garantizar que se sigan los procedimientos de mantenimiento y prácticas de operación seguros.
- Las calcomanías y señales de seguridad son recordatorios adicionales de técnicas de mantenimiento y funcionamiento seguras.



ADVERTENCIA

Peligro de caídas

- Nunca transporte pasajeros en el equipo.



ADVERTENCIA

Peligro de modificación

- Nunca modifique el equipo sin el consentimiento por escrito del fabricante. Cualquier modificación podría afectar la operación segura de equipo.



ADVERTENCIA

Peligro de exposición

- Siempre use equipo de protección personal, lo que incluye ropa adecuada, guantes, zapatos de trabajo, protección auditiva y ocular, según lo requiera la tarea en cuestión.



ADVERTENCIA



Riesgo de incendio y explosión

Las baterías emiten gases explosivos durante las recargas. Las chispas podrían causar explosiones y provocar lesiones graves o la muerte.

Peligro de quemaduras

Las baterías contienen ácido, que es extremadamente cáustico. El contacto con el contenido de la batería podría producir quemaduras químicas graves.

Peligro de descarga eléctrica

Las baterías presentan un riesgo de descarga eléctrica y alta corriente de cortocircuito.

- Siempre desconecte el cable negativo (-) de la batería antes de realizar mantenimiento al equipo.
- NO elimine una batería en el fuego. Recicle la batería.
- NO permita que se produzca ninguna llama abierta, chispa o calor, ni encienda un cigarrillo mientras carga la batería o durante varios minutos después de la carga.
- NO abra ni destruya la batería.
- NO cargue la batería si está congelada. Siempre deje que la batería alcance lentamente la temperatura ambiente antes de cargarla.
- Use guantes de protección, así como delantal, botas y guantes de goma.
- Quítese el reloj, los anillos u otros objetos metálicos.
- Use herramientas con mangos aislados.



ADVERTENCIA



Peligro de incendio y explosión

- El combustible diésel es inflamable y explosivo en determinadas condiciones.
- Nunca use un trapo de taller para recoger el combustible.
- Limpie inmediatamente los derrames.
- Nunca recargue el combustible con el motor en funcionamiento.
- Almacene todos los recipientes con combustible en un área bien ventilada, lejos de cualquier fuente de ignición o combustibles.



ADVERTENCIA

Peligro por uso bajo la influencia de alcohol y drogas

- Nunca opere la unidad bajo la influencia del alcohol o las drogas o si se encuentra enfermo.



ADVERTENCIA

Peligro de enredo o corte

- Siempre detenga el motor antes de comenzar el mantenimiento.
- Si se debe realizar mantenimiento al motor mientras está en funcionamiento, quítese todas las joyas, recójase el cabello largo y mantenga las manos, otras partes del cuerpo y la ropa lejos de las piezas móviles o giratorias.
- Verifique que todas las protecciones y cubiertas estén instaladas correctamente en el equipo, antes de arrancar el motor. No arranque el motor si alguna protección o cubierta no está instalada correctamente en el equipo.
- Instale una etiqueta "No operar" junto a la llave de contacto mientras realiza tareas de mantenimiento en el equipo.



ADVERTENCIA

Peligro de objetos expulsados

- Siempre use protección ocular cuando limpie el equipo con aire comprimido o agua a alta presión. El polvo, los desechos expulsados, el aire comprimido, el agua o el vapor presurizados pueden causar lesiones en sus ojos.



ADVERTENCIA

Peligro de contacto con refrigerante

- Use protección ocular y guantes de goma cuando manipule el refrigerante del motor. Si este entra en contacto con los ojos o la piel, enjuague los ojos y lave inmediatamente con agua limpia.



ADVERTENCIA

Peligro de quemaduras

- Abrir la tapa de un radiador caliente podría provocar lesiones graves o la muerte. Deje que el radiador se enfríe antes de abrir la tapa.



ADVERTENCIA

Peligro de quemaduras

- Mantenga las manos y otras partes del cuerpo alejadas de las superficies calientes.
- Maneje los componentes calientes con guantes resistentes al calor.

AVISO

- Se DEBE reemplazar toda pieza que se compruebe que está defectuosa a raíz de una inspección, o cualquier pieza cuyo valor medido no satisfaga la norma o el límite.

- Siempre apriete los componentes con el torque especificada. Las piezas sueltas pueden provocar daños en los equipos o causar que funcionen indebidamente.
- Obedezca las pautas de la Agencia de Protección Ambiental (Environmental Protection Agency, EPA), el Ambiente del Canadá (Environment Canada, EC) u otras agencias gubernamentales para la eliminación adecuada de materiales peligrosos, como aceite de motor, combustible diésel y refrigerante de motor.
- Solo use las piezas de repuesto que se especifican. Otras piezas de repuesto pueden afectar la cobertura de la garantía.
- Limpie toda la suciedad y los residuos acumulados del cuerpo del equipo y sus componentes antes de inspeccionarlo o de realizar procedimientos de mantenimiento preventivo o reparaciones. Operar los equipos con suciedad o residuos acumulados provocará el desgaste prematuro de los componentes del equipo.
- Nunca elimine materiales peligrosos arrojándolos en la alcantarilla, en la tierra o en vías fluviales o aguas subterráneas.
- Saque todas las herramientas o piezas que pueda haber dejado caer en el interior del equipo para evitar un funcionamiento indebido del mismo.
- Si cualquier indicador de alerta se enciende durante el funcionamiento del equipo, detenga el motor inmediatamente. Determine la causa y repare el problema antes de continuar con la operación del equipo.


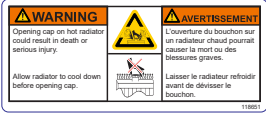





Es una infracción del Código de Recursos Públicos de California, Sección 4442, utilizar u operar el motor en cualquier terreno cubierto por árboles, césped o maleza a menos que el sistema de escape esté equipado con un supresor de chispas, en virtud de la Sección 4442, el cual se mantenga en buenas condiciones de operación. Otros estados o jurisdicciones federales cuentan con leyes similares; consulte la Regulación Federal 36 CFR Sección 261.52.



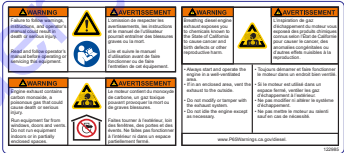
Calcomanías de seguridad

Antes de operar su unidad, lea y comprenda las siguientes calcomanías de seguridad. Las precauciones, advertencias e instrucciones son para su seguridad. Para evitar lesiones corporales o daños a la unidad, comprenda y obedezca todas las calcomanías.

Evite que las calcomanías se ensucien o se rompan, y reemplácelas si se pierden o se dañan. Además, si necesita cambiar las piezas que tienen una calcomanía, asegúrese de pedir la pieza nueva y la calcomanía al mismo tiempo.


Si alguna calcomanía de seguridad o de instrucciones se desgasta o daña y no puede leerse, pida calcomanías de reemplazo a su distribuidor local.

Modelos domésticos	
<p>PELIGRO: Ingresar en el compartimento eléctrico mientras el equipo está en funcionamiento provocará lesiones graves o la muerte. Apague el equipo antes de ingresar en el compartimento eléctrico.</p> <p>N.º de pieza 118074</p>	
<p>ADVERTENCIA: Abrir la tapa de un radiador caliente podría provocar lesiones graves o la muerte. Deje que el radiador se enfríe antes de abrir la tapa.</p> <p>N.º de pieza 118651</p>	
<p>Información de conexión a tierra de la máquina/Lengüeta de conexión a tierra</p> <p>N.º de pieza 122470</p>	
<p>Número de archivo de CSA</p> <p>N.º de pieza 110361</p>	
<p>ADVERTENCIA: El incumplimiento de las advertencias, las instrucciones y el manual del operador podría provocar lesiones graves o la muerte. Lea y siga el manual del operador antes de hacer funcionar este equipo o realizarle mantenimiento.</p> <p>N.º de pieza 122467-1</p>	
<p>ADVERTENCIA: El arranque inesperado del motor podría causar la muerte o lesiones graves. Lea y siga el manual del operador del controlador electrónico antes de hacer funcionar este equipo o realizarle mantenimiento.</p> <p>N.º de pieza 122467-2</p>	
<p>ADVERTENCIA: El contacto con gases de escape y piezas calientes podría provocar lesiones graves o la muerte. Evite los gases calientes del escape. Mantenga las manos y los materiales combustibles alejados de las piezas calientes.</p> <p>N.º de pieza 122467-3</p>	
<p>ADVERTENCIA: El contacto con piezas giratorias podría provocar lesiones graves o la muerte. Manténgase alejado de piezas giratorias.</p> <p>N.º de pieza 122467-4</p>	
<p>ADVERTENCIA: Abrir la tapa de un radiador caliente podría provocar lesiones graves o la muerte. Deje que el radiador se enfríe antes de abrir la tapa.</p> <p>N.º de pieza 122467-5</p>	
<p>ADVERTENCIA: La exposición a materiales corrosivos podría causar lesiones graves o la muerte. Use guantes de protección al manipular la batería.</p> <p>N.º de pieza 122467-6</p>	

Modelos domésticos	
<p>ADVERTENCIA: Los materiales humeantes, las llamas descubiertas u otros tipos de ignición cerca de la batería podrían causar una explosión y provocar lesiones graves o la muerte. Mantenga los materiales para fumar, las llamas descubiertas u otros tipos de ignición alejados de la batería.</p> <p>N.º de pieza 122467-7</p>	
<p>ADVERTENCIA: El exceso de velocidad de remolque podría provocar lesiones graves o la muerte. No exceda los 65 mph (105 km/h) cuando arrastre el remolque.</p> <p>N.º de pieza 118108</p>	
<p>ADVERTENCIA: El incumplimiento de las advertencias, las instrucciones y el manual del operador podría provocar lesiones graves o la muerte. Lea y siga el manual del operador antes de hacer funcionar este equipo o realizarle mantenimiento.</p> <p>ADVERTENCIA: El escape del motor contiene monóxido de carbono, un gas tóxico que podría causar lesiones graves o la muerte. Opere el equipo lejos de ventanas, puertas y conductos de ventilación. No opere el equipo en interiores o en espacios parcialmente cerrados.</p> <p>ADVERTENCIA: Respirar los gases de escape del motor diésel lo expone a sustancias químicas que, de acuerdo con el estado de California, causan cáncer, defectos de nacimiento u otros problemas reproductivos.</p> <ul style="list-style-type: none"> • Siempre arranque y haga funcionar el motor en un área bien ventilada. • Si se encuentra en un área cerrada, oriente el escape hacia el exterior. • No modifique ni altere el sistema de escape. • No deje el motor inactivo, a menos que sea necesario. <p>www.P65warnings.ca.gov/diesel</p> <p>N.º de pieza 122985</p>	

Modelos internacionales	
<p>PELIGRO: Ingresar en el compartimento eléctrico mientras el equipo está en funcionamiento provocará lesiones graves o la muerte. Apague el equipo antes de ingresar en el compartimento eléctrico.</p> <p>N.º de pieza 104880</p>	
<p>ADVERTENCIA: Abrir la tapa de un radiador caliente podría provocar lesiones graves o la muerte. Deje que el radiador se enfríe antes de abrir la tapa.</p> <p>N.º de pieza 122091</p>	

Modelos internacionales	
<p>ADVERTENCIA: El escape del motor contiene monóxido de carbono, un gas tóxico que podría causar lesiones graves o la muerte. Opere el equipo lejos de ventanas, puertas y conductos de ventilación. No opere el equipo en interiores o en espacios parcialmente cerrados.</p> <p>N.º de pieza 113941</p>	
<p>Lengüeta de conexión a tierra</p> <p>N.º de pieza 107969</p>	
<p>ADVERTENCIA: Arranque automático del motor. El arranque inesperado del motor puede provocar lesiones graves o la muerte. Lea y siga el Manual del operador del panel de control antes de hacer funcionar este equipo o realizarle mantenimiento.</p> <p>N.º de pieza 107978</p>	
<p>ADVERTENCIA: El exceso de velocidad de remolque podría provocar lesiones graves o la muerte. No exceda los 65 mph (105 km/h) cuando arrastre el remolque.</p> <p>N.º de pieza 118110</p>	
<p>ADVERTENCIA: El contacto con piezas giratorias podría provocar lesiones graves o la muerte. Manténgase alejado de piezas giratorias.</p> <p>ADVERTENCIA: Los materiales humeantes, las llamas descubiertas u otros tipos de ignición cerca de la batería podrían causar una explosión y provocar lesiones graves o la muerte. Mantenga los materiales para fumar, las llamas descubiertas u otros tipos de ignición alejados de la batería.</p> <p>ADVERTENCIA: Abrir la tapa de un radiador caliente podría provocar lesiones graves o la muerte. Deje que el radiador se enfríe antes de abrir la tapa.</p> <p>ADVERTENCIA: La exposición a materiales corrosivos podría causar lesiones graves o la muerte. Use guantes de protección al manipular la batería.</p> <p>N.º de pieza 110310</p>	

Todos los modelos																							
<p>Información del neumático</p> <p>N.º de pieza 113943</p>	 <table border="1"> <thead> <tr> <th colspan="4">TIRE INFORMATION</th> </tr> <tr> <th colspan="4">The weight of cargo should never exceed 5 kg or 10 lbs.</th> </tr> <tr> <th>TYPE</th> <th>SIZE</th> <th>COLD TIRE PRESSURE</th> <th>SEE OWNER'S MANUAL FOR ADDITIONAL INFORMATION</th> </tr> </thead> <tbody> <tr> <td>FRONT</td> <td>225/75R16</td> <td>48 PSI (3.3 bar)</td> <td rowspan="3"></td> </tr> <tr> <td>REAR</td> <td>NONE</td> <td>NONE</td> </tr> <tr> <td>SPARE</td> <td>NONE</td> <td>NONE</td> </tr> </tbody> </table>	TIRE INFORMATION				The weight of cargo should never exceed 5 kg or 10 lbs.				TYPE	SIZE	COLD TIRE PRESSURE	SEE OWNER'S MANUAL FOR ADDITIONAL INFORMATION	FRONT	225/75R16	48 PSI (3.3 bar)		REAR	NONE	NONE	SPARE	NONE	NONE
TIRE INFORMATION																							
The weight of cargo should never exceed 5 kg or 10 lbs.																							
TYPE	SIZE	COLD TIRE PRESSURE	SEE OWNER'S MANUAL FOR ADDITIONAL INFORMATION																				
FRONT	225/75R16	48 PSI (3.3 bar)																					
REAR	NONE	NONE																					
SPARE	NONE	NONE																					
<p>Detención de emergencia</p> <p>N.º de pieza 105567</p>																							

Todos los modelos						
<p>Instrucciones de operación</p> <p>N.º de pieza 118363</p>						
<p>Información eléctrica</p> <p>N.º de pieza 112130</p>	 <table border="1"> <tr><td>15 kW</td></tr> <tr><td>60 Hz</td></tr> <tr><td>120/240 V</td></tr> <tr><td>125/63 A</td></tr> <tr><td>1 Ø</td></tr> </table>	15 kW	60 Hz	120/240 V	125/63 A	1 Ø
15 kW						
60 Hz						
120/240 V						
125/63 A						
1 Ø						
<p>Punto de sujeción</p> <p>N.º de pieza 109005</p>						
<p>Cavidad para grúa horquilla</p> <p>N.º de pieza 107254</p>						
<p>Drenaje del aceite del motor</p> <p>N.º de pieza 107973</p>						
<p>Drenaje de contención de líquidos</p> <p>N.º de pieza 107973</p>						
<p>Drenaje del refrigerante</p> <p>N.º de pieza 104752</p>						
<p>Peso de elevación</p> <p>N.º de pieza 122480</p>						
<p>Número de serie del remolque (VIN)</p> <p>N.º de pieza 119958</p>						
<p>Código QR de operaciones del producto</p> <p>N.º de pieza 123248</p>						

Iconos de operación

La siguiente tabla contiene iconos de funcionamiento que se pueden encontrar en la unidad, junto con el significado de cada icono.

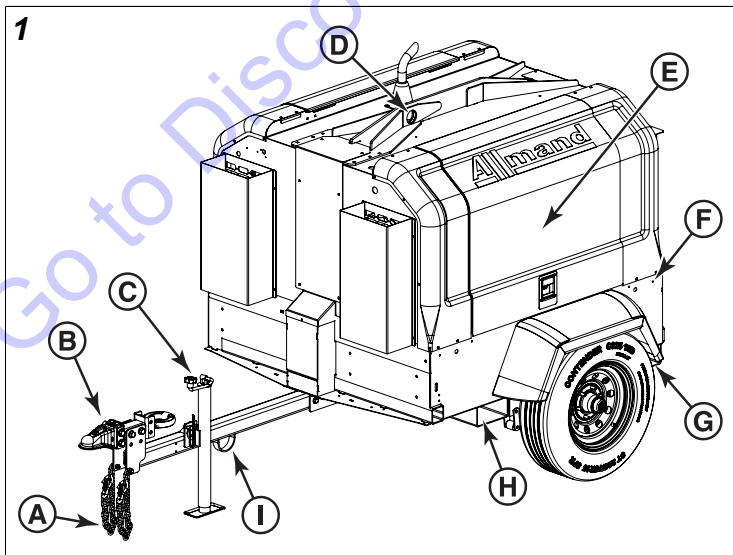
Icono	Significado	Icono	Significado
	Unidad encendida		Luz de trabajo
○	Unidad apagada		Drenaje de aceite del motor
	Detención del motor		Drenaje de refrigerante del motor
	Marcha del motor		Drenaje de contención de líquidos
	Arranque del motor		Disyuntor de circuito
	Pre calentamiento del motor		Disyuntor de desconexión
	Contador horario		Conexión a tierra
	Luz interior del remolque		

Características y controles

El Allmand® Maxi-Power™ MP15XR Portable Generator está diseñado para usarse como un grupo electrógeno estacionario.

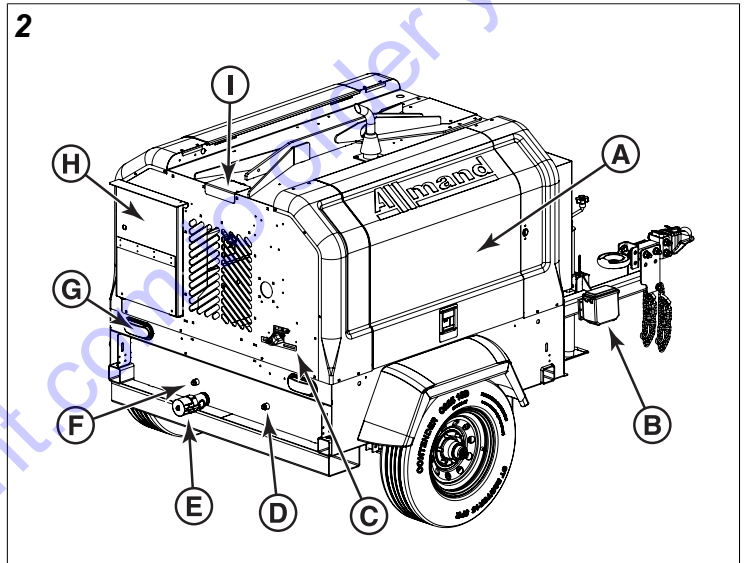
Para identificar las características y controles de la máquina, compare las figuras 1 hasta el 3 y con las tablas que se presentan a continuación. Consulte **Transporte y Operación** para obtener una información detallada de cada característica y control.

Parte frontal



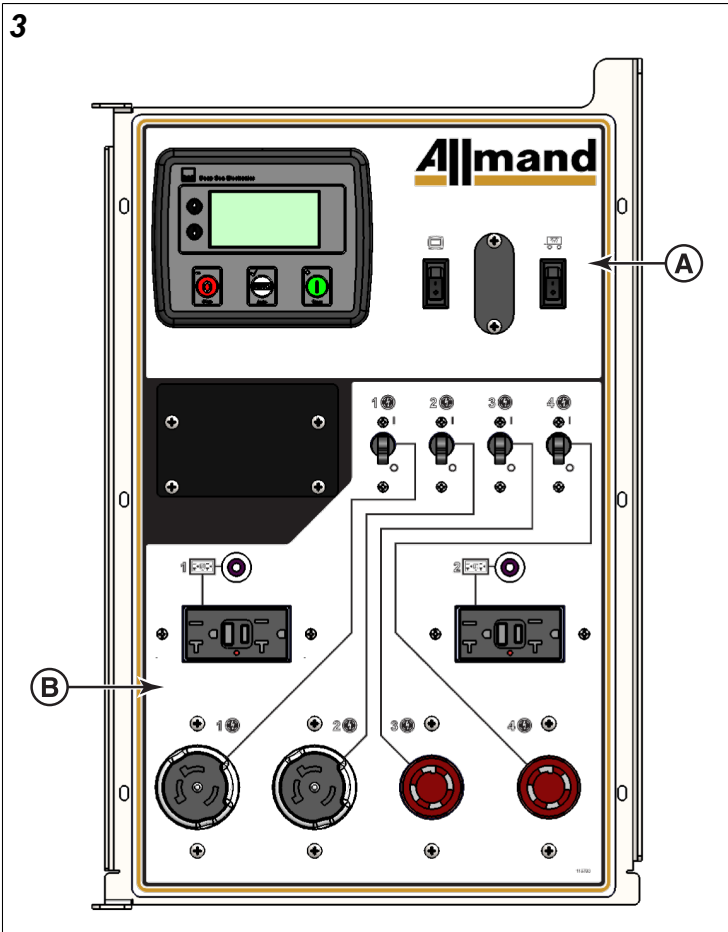
Ref.	Descripción
A	Cadenas de seguridad (2)
B	Acoplador del remolque/argollón de contera
C	Gato de la lengua
D	Cáncamo de elevación
E	Puerta de acceso a compartimiento del motor
F	Lengüeta de conexión a tierra
G	Cavidades posteriores para grúa horquilla/punto de sujeción (cada lado)
H	Cavidades delanteras para grúa horquilla (cada lado)
I	Bucle delantero de sujeción

Trasero



Ref.	Descripción
A	Puerta de acceso a compartimiento del motor
B	Kit de separación
C	Arrastre del remolque de la torre de iluminación
D	Drenaje del aceite del motor
E	Drenaje de contención de líquidos
F	Drenaje de refrigerante del motor
G	Luz trasera (2)
H	Puerta de acceso a panel de control
I	Puerta de acceso del radiador

Panel de control



Ref.	Descripción
A	Panel de motor
B	Panel auxiliar de tomacorrientes

Lista de verificación previa a la operación

Realice los siguientes controles antes de transportar u operar la unidad, así como al realizar un mantenimiento general.



ADVERTENCIA

Peligro de operación no segura

- Operar o transportar la máquina con piezas desgastadas, dañadas o faltantes puede provocar lesiones graves o la muerte. Siempre reemplace oportunamente las piezas faltantes, dañadas o desgastadas. No transporte ni opere la máquina hasta que se hayan reemplazado todas las piezas desgastadas, dañadas o faltantes, y después de que se haya verificado su buen funcionamiento.

Nota:

Se recomienda el uso de repuestos autorizados de Allmand. La garantía no cubre daños ni problemas de rendimiento provocados por el uso de piezas que no sean los repuestos autorizados.

1. Verifique que todas las calcomanías de seguridad y de operación estén presentes y sean legibles. Consulte **Seguridad: calcomanías de seguridad**.
2. Verifique que todos los manuales del operador (del producto, motor, generador, etc.) se encuentren en la unidad.
3. Revise que los siguientes componentes no se encuentren desgastados o dañados y que operen adecuadamente:
 - a. Gato de la lengua de remolque
 - Verifique que no haya corrosión ni daños. Repare o reemplace según sea necesario.
 - Verifique que funcione correctamente. Consulte **Transporte: uso del gato de la lengua**.
 - b. Conjunto de enganche (acoplador del remolque / argollón de contera)
 - Verifique que no haya corrosión ni daños. Repare o reemplace según sea necesario.
 - Verifique que funcione correctamente. Consulte **Transporte: acople y desacople del enganche del remolque**.
 - Verifique que las piezas estén correctamente ajustadas. Ajuste según sea necesario.
 - c. Cadenas de seguridad
 - Verifique que no haya corrosión ni daños. Repare o reemplace según sea necesario.
 - Verifique que las piezas estén correctamente ajustadas. Ajuste según sea necesario.
 - d. Cable de las luces del remolque
 - Verifique que no haya cables cortados, deshilachados o pelados. Repare o reemplace según sea necesario.
 - Verifique que el conector no presente daños. Repare o reemplace según sea necesario.
 - e. Kit de separación
 - Verifique los cables o el cable de separación no estén rotos ni deshilachados.
 - Verifique el estado de carga de la batería.
 - f. Neumáticos
 - Verifique que no presenten desgastes, cortes, rajaduras, etc. Reemplace según sea necesario.
 - Verifique y ajuste la presión de inflado. Consulte **Especificaciones** para conocer la presión de inflado correcta.
 - g. Frenos
 - Verifique que los frenos tengan un funcionamiento correcto y que no presenten desgaste. Es necesario realizar tareas de reparación.
 - h. Eje y bastidor

- Verifique que no haya corrosión ni daños. Es necesario realizar tareas de reparación.

i. Cableado eléctrico

- Verifique que el cableado eléctrico no presente cortes, desgastes, o esté pelado. Es necesario realizar tareas de reparación.



ADVERTENCIA

Peligro de electrocución

- Operar la unidad con el cableado eléctrico cortado, desgastado o pelado podría provocar lesiones graves o la muerte. Repare o reemplace el cableado eléctrico dañado antes de operar la torre de iluminación.

j. Motor

- Verifique que no haya fugas u otros signos de desgaste o daño. Es necesario realizar tareas de reparación.
- Verifique que el filtro de aire esté firmemente instalado y que los sellos y las abrazaderas de la manguera estén correctamente asegurados. Verifique el elemento del filtro de aire. Reemplace las piezas, si es necesario.

4. Verifique los niveles de los líquidos.

a. Aceite del motor

- Consulte el manual del operador del motor para conocer las recomendaciones, la capacidad y los procedimientos del uso del aceite.

AVISO

El funcionamiento del motor sin aceite causará daños al mismo.

b. Refrigerante del motor

- Consulte el manual del operador del motor para conocer las recomendaciones, la capacidad y los procedimientos del uso del líquido refrigerante.

AVISO

El funcionamiento del motor sin refrigerante causará daños al mismo.

c. Combustible

- Consulte **Operación: abastecimiento de combustible de la unidad** para conocer la ubicación del tanque de combustible, la capacidad y los procedimientos de abastecimiento.

Transporte



ADVERTENCIA

Peligro de operación no segura

- Operar el equipo sin tener la capacitación adecuada puede provocar lesiones graves o la muerte. Nunca permita que una persona opere el equipo si no cuenta con la capacitación adecuada.

Antes de transportar, lea **Seguridad**.

Preparación para la entrega en el lugar de trabajo

Prepare la unidad para su entrega en el lugar de trabajo, en especial si ha permanecido almacenada o ha estado inactiva durante un período de tiempo.



ADVERTENCIA

Peligro de operación no segura

- Operar o transportar una máquina con piezas faltantes, dañadas o desgastadas puede provocar lesiones graves o la muerte. Siempre reemplace oportunamente las piezas faltantes, dañadas o desgastadas. No opere ni transporte esta máquina hasta que se hayan reemplazado todas las piezas faltantes, dañadas o desgastadas y después de que se haya verificado su correcto funcionamiento.

1. Realice todas las verificaciones previas a la operación. Consulte la **Listade verificación previa a la operación**.
2. Haga funcionar el motor completando un ciclo de arranque y apagado para verificar su funcionamiento. Consulte **Operación: operación del motor**. También consulte el Manual del operador del motor.

Preparación para el transporte

1. Apague el motor. Consulte **Operación: operación del motor**. También consulte el Manual del operador del motor
2. Cierre y bloquee todas las puertas de acceso.

Remolque

La velocidad máxima en carretera es de 65 mph (105 km/h). La velocidad máxima fuera de carretera es de 20 mph (32 km/h). No exceda estos límites de velocidad.



ADVERTENCIA

Peligro de operación no segura

- El exceso de velocidad al transportar el remolque a más de 65 mph (105 km/h) en carretera puede provocar lesiones graves o la muerte. No arrastre el remolque a más de 65 mph (105 km/h) en carretera.

Vehículo remolcador / requisitos de enganche

1. Revise la clasificación de peso bruto del vehículo (GVWR) del remolque. Consulte **Especificaciones**.
2. Revise la clasificación de capacidad de remolque del vehículo de remolque y del enganche. Ambas capacidades deben cumplir o exceder el GVWR del remolque.

Nota: Revise el manual del propietario del vehículo y el manual del propietario del enganche para conocer las capacidades de remolque.



ADVERTENCIA

Peligro de remolque

- Usar un vehículo remolcador o un enganche con una capacidad de remolque inferior al GVWR del remolque podría causar lesiones graves o la muerte. Use solo un vehículo remolcador o un enganche con una capacidad de remolque que cumpla o exceda el GVWR del remolque.

Controle el tipo de enganche del vehículo remolcador

El remolque está diseñado para los siguientes tipos de enganche disponibles de vehículos remolcadores:

- Enganche de bola de 2 pulg
- Enganche de clavija
- Enganche de bola 2-5/16 pulg
- Enganche bulldog 2 pulg

Asegúrese de que el vehículo remolcador esté equipado con alguno de estos tipos de enganche. Instalar si es necesario.



ADVERTENCIA

Peligro de operación no segura

- No usar un enganche de vehículo remolcador que concuerde con el conjunto de enganche del remolcador puede provocar lesiones graves o la muerte. Use solo un enganche de vehículo remolcador que concuerde con el conjunto de enganche del remolcador.

Inversión del conjunto de enganche del remolque

El conjunto de enganche del remolque es reversible. Use el acoplador del remolque (A, Figura 4) para enganches de bola o el argollón de contera (B) para enganches de clavija. Para invertir el conjunto de enganche del remolque:

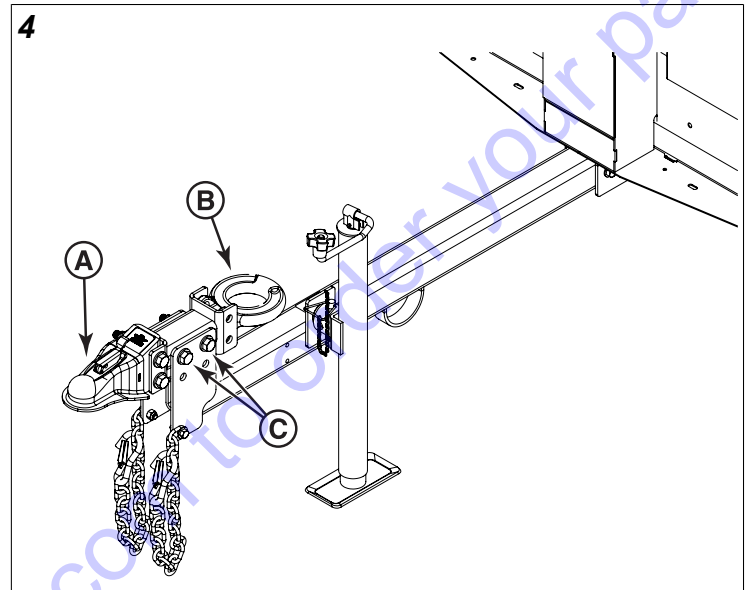
1. Quite las piezas de montaje (C, Figura 4).
2. Invierta el conjunto de enganche del remolque.
Nota: Use el juego de orificios de montaje en la lengua del remolque. Esto mantendrá el remolque lo más nivelado posible cuando esté conectado a un vehículo de remolque.
3. Vuelva a colocar las piezas. Apriete firmemente.



ADVERTENCIA

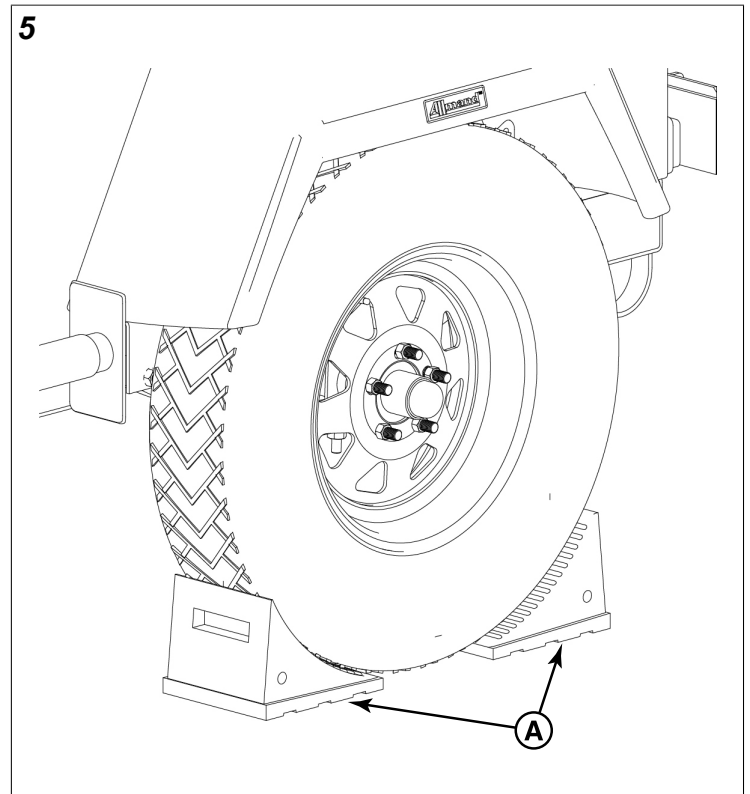
Peligro de operación no segura

- No instalar apropiadamente el conjunto de enganche del remolque puede ocasionar lesiones graves o la muerte. Instale debidamente el conjunto de enganche del remolque y ajuste firmemente las piezas.



Conecte el remolque al vehículo remolcador

1. Coloque cuñas para las ruedas (no suministradas) firmemente contra la parte delantera y posterior de la rueda (A, Figura 5) en cada lado del remolque.



2. Para levantar la lengua del remolque, utilice el gato de la lengua. Consulte **Transporte: uso del gato de la lengua**.
3. Ubique el enganche del vehículo remolcador debajo del enganche del remolque.
4. Acople el enganche del remolque al enganche del vehículo remolcador. Consulte **Transporte: acople y desacople del enganche del remolque**.
5. Conecte las cadenas de seguridad.

⚠ ADVERTENCIA

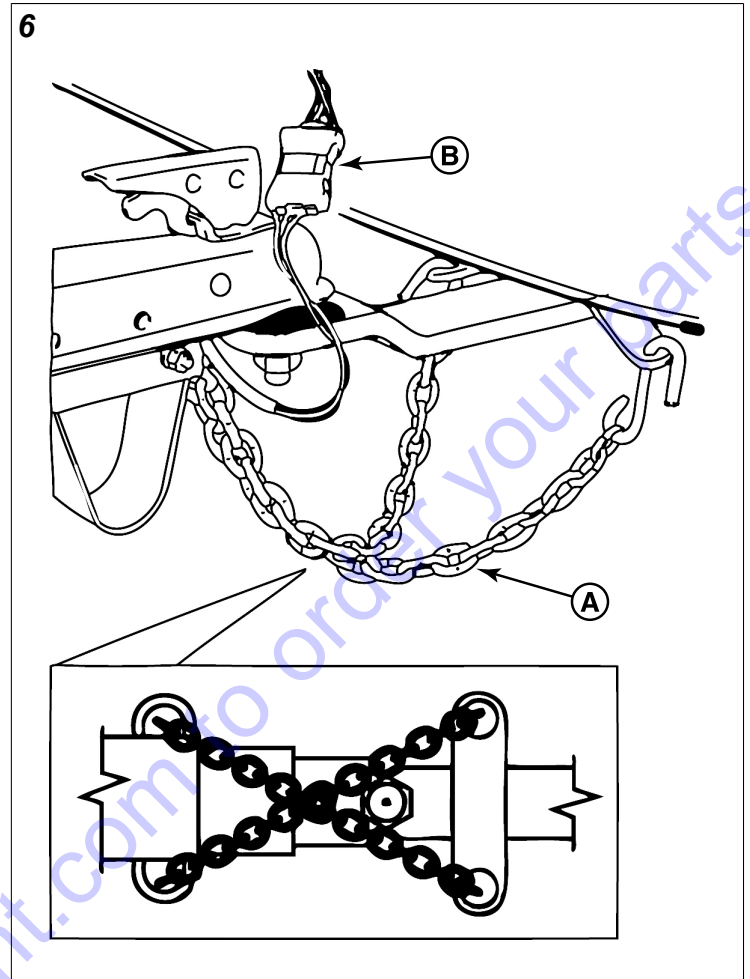
Peligro de operación no segura

- No instalar apropiadamente las cadenas de seguridad puede ocasionar lesiones graves o la muerte. Siempre instale apropiadamente las cadenas de seguridad.
 - a. Conecte las cadenas de seguridad (A, Figura 6) a las cavidades de la cadena de seguridad del vehículo remolcador. Entrecruce las cadenas debajo del enganche para que quede apoyado en caso de que ocurra una desconexión.
 - b. Monte las cadenas lo más ajustadas posible pero con suficiente holgura como para permitir un viraje libre.
6. Conecte el cable de iluminación del remolque.
 - a. Compruebe que el cable de iluminación del remolque coincida con el cable de iluminación del vehículo remolcador. De ser necesario, instale el cable apropiado y/o el conector al vehículo remolcador.
 - b. Conecte el cable de iluminación del remolque al cable de iluminación del vehículo remolcador (B, Figura 6).
 - c. Asegúrese de que la holgura sea adecuada para permitir virar sin que el cable se arrastre por el suelo.
 - d. Revise que las luces del remolque funcionen correctamente.

⚠ ADVERTENCIA

Peligro de operación no segura

- Una falla en el funcionamiento de las luces del remolque puede provocar lesiones graves o la muerte. Siempre revise que las luces del remolque funcionen correctamente, y repare o reemplace según sea necesario.



7. Retracción del gato de la lengua. Consulte **Transporte: uso del gato de la lengua**.
8. Retire las cuñas las ruedas.

Ahora el remolque está listo para remolcar.

Para desconectar el remolque del vehículo remolcador

1. Acúñe las ruedas.
2. Extienda el gato de la lengua. Consulte **Transporte: uso del gato de la lengua**.
3. Desconecte el cable de iluminación del remolque del cable de iluminación del vehículo remolcador.
4. Quite las cadenas de seguridad de las cavidades del vehículo remolcador.
5. Desacople el enganche del remolque del enganche del vehículo remolcador. Consulte **Transporte: acople y desacople del enganche del remolque**.
6. Aleje el vehículo remolcador de la unidad.

Operación del gato de la lengua

La unidad está equipada con un gato de la lengua para elevar y bajar la lengua del remolque y para nivelarlo de adelante hacia atrás.

Para extender el gato de la lengua

1. Retire el perno de bloqueo (A, Figura 7).

2. Gire el gato de la lengua 90° hasta la posición de funcionamiento (B, Figura 7). Instale el perno de bloqueo del gato (C).



ADVERTENCIA

Peligro de operación no segura

- No instalar el perno de bloqueo del gato puede provocar lesiones graves o la muerte. Asegúrese de bloquear el gato de la lengua en la posición de funcionamiento con el perno de bloqueo del gato.

3. Despliegue la manija del gato hasta la posición de funcionamiento (D, Figura 7).

Para bajar la pata del gato (levantar la lengua del remolque)

- Gire la manija del gato en sentido contrario a las manecillas del reloj (E, Figura 7) para bajar la pata del gato (F) y levantar la lengua del remolque.

Para levantar la pata del gato (bajar la lengua del remolque)

- Gire la manija del gato en el sentido de las agujas del reloj (G, Figura 7) para levantar la pata del gato (H) y bajar la lengua del remolque.

Para retraer el gato de la lengua

1. Asegúrese de que el remolque esté firmemente apoyado por el vehículo de remolque u otro medio aprobado.

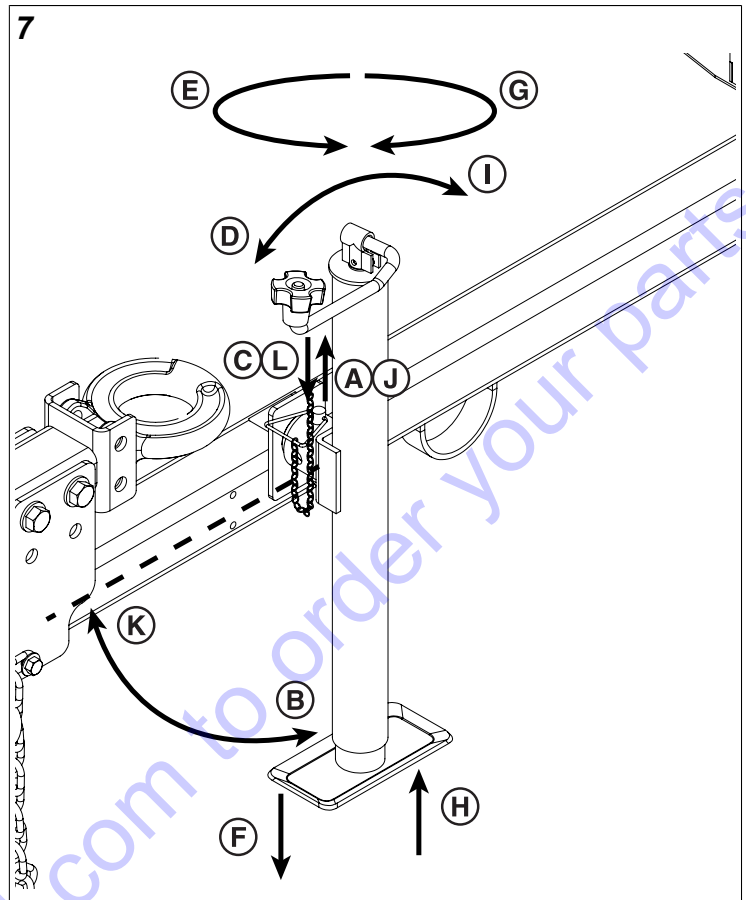


ADVERTENCIA

Peligro de operación no segura

- No afirmar la lengua del remolque antes de retraer el gato de la lengua podría provocar lesiones graves o la muerte. Asegúrese de que la lengua del remolque esté firmemente apoyada antes de retraer el gato de la lengua.

2. Eleve completamente la pata del gato.
3. Pliegue la manija del gato hasta la posición de transporte (I, Figura 7).
4. Retire el perno de bloqueo del gato (J, Figura 7).
5. Gire el gato de la lengua 90° hasta la posición de transporte (K, Figura 7). Instale el perno de bloqueo del gato (L).



Acople y desacople del enganche del remolque

Acople del remolque (para los enganches de bola)

Para acoplar al enganche de bola del vehículo remolcador

1. Tire del gatillo de bloqueo (A, Figura 8), y levante la palanca de bloqueo (B, se muestra levantada).
2. Use el gato de la lengua para bajar el encastre de acoplamiento del remolque (C, Figura 8) por completo sobre la bola del enganche (F). Consulte **Transporte: uso del gato de la lengua**.
3. Ajuste la abrazadera de acoplamiento (D, Figura 8) usando la tuerca de ajuste (E). Para apretar la tuerca de ajuste, gírela en el sentido horario, y para soltarla, gírela en el sentido contrario a las agujas del reloj. El ajuste adecuado se obtiene cuando el acoplador está lo más apretado posible en la bola y la palanca de bloqueo aún se puede abrir y cerrar.



ADVERTENCIA

Peligro de operación no segura

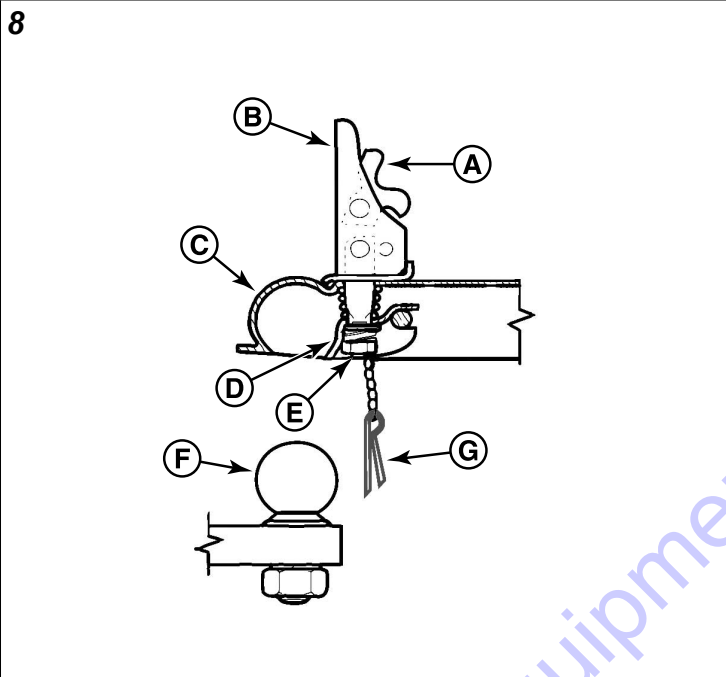
- No ajustar apropiadamente la abrazadera de acoplamiento puede provocar lesiones graves o la muerte. Ajuste la abrazadera de acoplamiento y verifique que esté ajustada con frecuencia.
4. Empuje la palanca de bloqueo hacia abajo hasta la posición de bloqueo. Inserte el pasador de bloqueo (G,

Figura 8) en el orificio de la palanca de bloqueo, o bien, use un candado para mayor seguridad.

5. Compruebe que el acoplador esté firmemente conectado al enganche de bola.

Para desacoplar

1. Retire el pasador de bloqueo (o el candado, si se usó) del orificio en la palanca de bloqueo.
2. Tire del gatillo de bloqueo y levante la palanca de bloqueo.
3. Use el gato de la lengua para elevar el acoplador del remolque hasta quitar del enganche de bola. Consulte **Transporte: uso del gato de la lengua**.



Argollón de contera (para enganches de clavijas)

Para acoplar al enganche de clavijas del vehículo remolcador

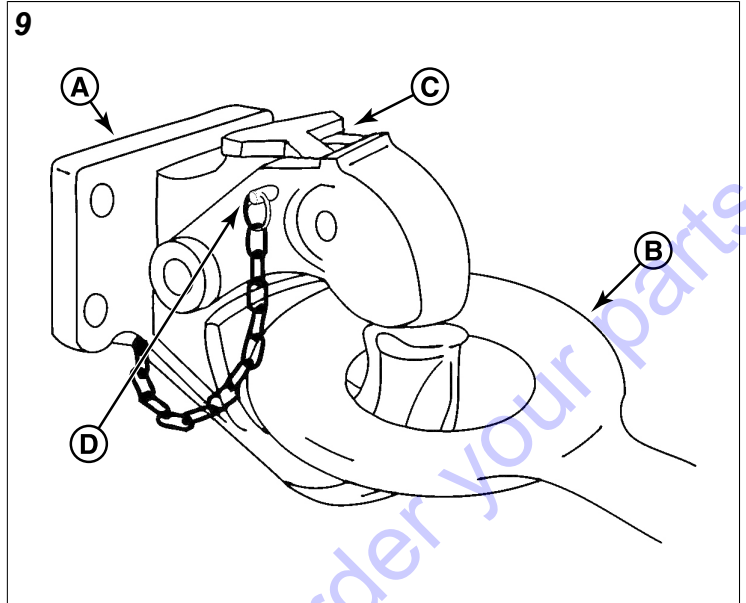
1. Abra el pasador de bloqueo (C, Figura 9) del enganche de clavijas del vehículo remolcador (A).

Nota: Se muestra un enganche de clavijas estándar; los diseños pueden variar.

2. Use el gato de la lengua para bajar el argollón de contera (B, Figura 9) en el gancho del enganche de clavijas. Consulte **Transporte: uso del gato de la lengua**.
3. Cierre el pasador de bloqueo. Inserte el perno de bloqueo (D, Figura 9) en el orificio del pasador de bloqueo.

Para desacoplar

1. Retire el perno de bloqueo del orificio del pasador de bloqueo.
2. Abra el pasador de bloqueo.
3. Use el gato de la lengua para elevar el argollón de contera hasta quitar del gancho del enganche de clavijas. Consulte **Transporte: uso del gato de la lengua**.



Elevación

Requerimientos para la elevación de equipos

- Use solo equipos de elevación aprobados con una capacidad de elevación nominal que exceda la GVWR de la unidad. Consulte **Especificaciones**.



ADVERTENCIA

Peligro de operación no segura

- No usar equipos de elevación aprobados con una capacidad de elevación nominal que exceda la GVWR puede provocar lesiones graves o la muerte. Use solo equipos de elevación aprobados con una capacidad de elevación nominal que exceda la GVWR de la unidad.

Puntos de elevación

- Cánkamo de elevación: (A, Figura 10) Solo use grilletes o un gancho tipo bloqueo cuando utilice el cánkamo.
- Cavidades para grúa horquilla: (B, Figura 10) Use paletas de grúa horquilla de al menos 60 pulg (152 cm) de largo cuando eleve la unidad. Inserte las hojas de la grúa horquilla por completo en las cavidades.



ADVERTENCIA

Peligro de operación no segura

- No usar los puntos de elevación designados para elevar la unidad puede provocar lesiones graves o la muerte. Use solo los puntos de elevación designados para elevar la unidad.

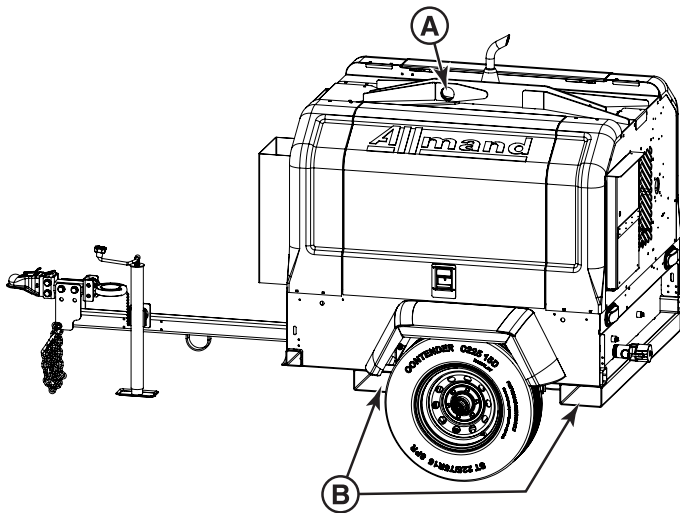


ADVERTENCIA

Peligro de aplastamiento

- Permanecer debajo o cerca de la unidad cuando se está elevando puede provocar lesiones graves o la muerte. Nunca permanezca debajo o cerca de la unidad cuando se está elevando.

10



Transporte en un remolque

Para asegurar la unidad a un remolque se usan tres puntos de sujeción, ubicados en la parte inferior trasera del remolque (cavidades para grúa horquilla en el lado izquierdo y derecho) y el lado inferior de la lengua del remolque (A, Figura 11).

Nota: Todos los modelos tienen las ubicaciones de los puntos de sujeción similares.



ADVERTENCIA

Peligro de operación no segura

- No usar los puntos de fijación designados para asegurar la unidad al remolque puede provocar lesiones graves o la muerte. Siempre use los puntos de fijación designados para asegurar la unidad al remolque.

1. Asegure la unidad en los puntos de fijación con las cadenas o correas adecuadas.

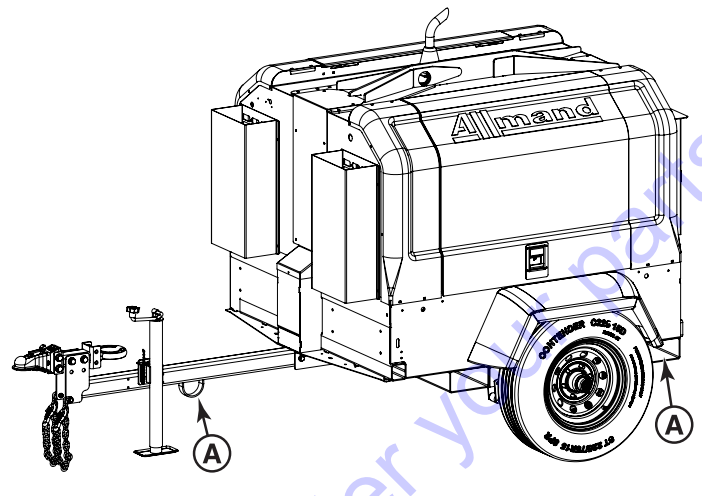


ADVERTENCIA

Peligro de operación no segura

- No usar cadenas o correas que sean adecuadas para asegurar la unidad al remolque puede provocar lesiones graves o la muerte. Siempre use cadenas o correas adecuadas para asegurar la unidad al remolque.
2. No aplique una fuerza superior a 600 lb (272 kg) a las cadenas o correas.
 3. El operador del camión es responsable de fijar correctamente la carga al remolque de transporte.

11



Funcionamiento

Antes de poner en funcionamiento, lea **Seguridad**.

Elección del lugar de trabajo

1. Obedezca las normas o regulaciones provinciales, estatales y federales, así como las normas o instrucciones del lugar de trabajo.
2. Considere lo siguiente al elegir el lugar de trabajo:

Superficie del suelo

- Instale sobre superficies con terrenos sólidos, planos y uniformes únicamente.
- No instale en una superficie inclinada de más de 2,8° (5 % de grado), desde la parte delantera a la trasera y de lado a lado.



ADVERTENCIA

Peligro de vuelco

- Instalar la unidad sobre superficies con terrenos blandos e inestables, o con inclinaciones de más de 2,8° (5 % de grado) puede provocar lesiones graves o la muerte. Instale la unidad sobre superficies con terrenos sólidos, planos y uniformes y con inclinaciones de no más de 2,8° (5 % de grado).

Ajuste de la unidad

1. Posicione la unidad en el lugar de trabajo. Consulte **Operación: Elección del lugar de trabajo**.
2. Acuñe las ruedas. Consulte **Transporte: Remolque**.
3. Si la unidad fue remolcada al lugar de trabajo, desconéctela del vehículo remolcador. Consulte **Transporte: Remolque**.
4. Nivele el remolque con el gato de la lengua. Consulte **Transporte: uso del gato de la lengua**.
5. La unidad está ahora instalada y lista para comenzar a operar.

Abastecimiento de combustible de la unidad

Para el abastecimiento

- Abra la puerta de acceso al compartimento del motor para acceder al tanque o tanques de combustible.
- Abra la(s) tapa(s) de llenado.
- Agregue el combustible que sea necesario. Consulte el Manual del operador del motor para conocer las recomendaciones sobre el combustible. Consulte **Especificaciones** para conocer la capacidad de combustible.

AVISO

Solo combustible diésel. Usar gasolina podría dañar el motor.

AVISO

No se permite el abastecimiento de combustible presurizado.

Cómo operar la unidad

Antes de poner en funcionamiento

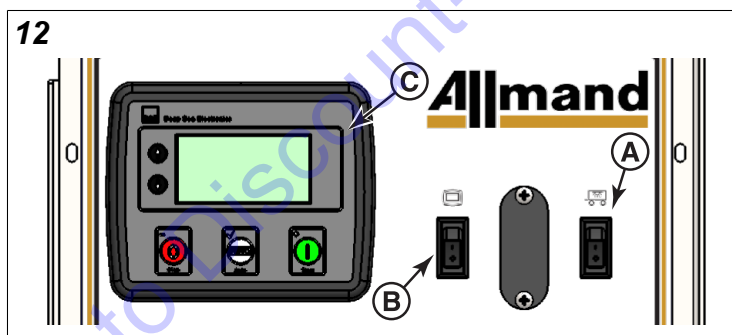
1. Realice verificaciones previas a la operación. Ver **Lista de verificación previa a la operación**.
2. Asegúrese de que la unidad esté correctamente instalada en el lugar de trabajo. Consulte **Operación: ajuste de la unidad**.

Operación del motor

Para arrancar el motor

Modelos de alta mar

1. Gire el interruptor de alta mar a la posición ENCENDIDO (C, Figura 12).
2. Consulte el manual aparte para la operación de la unidad (D, Figura 12).



A	Luces interiores: encienda las luces dentro del compartimento del motor
B	Interruptor de modo de alta mar
C	Unidad de alta mar

Para apagar el motor

Modelos de alta mar

1. Consulte el manual de la unidad Deep Sea para ver los procedimientos de apagado de Deep Sea.

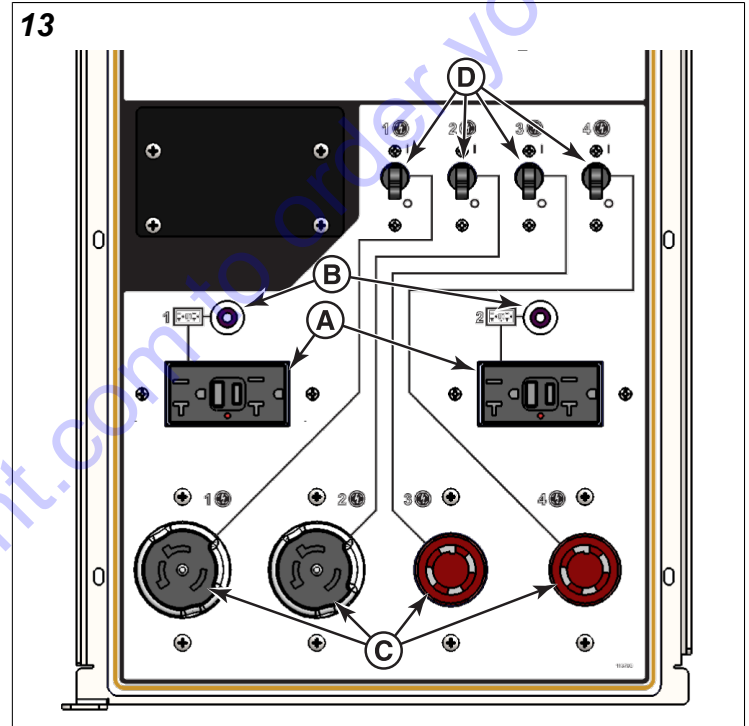
2. Gire el interruptor de modo Deep Sea a APAGADO.

Apagado automático del motor

El motor está equipado con un sistema de apagado automático del motor para evitar daños excesivos al mismo en caso de baja presión de aceite o alta temperatura del refrigerante. Consulte el Manual del operador del motor para obtener información adicional.

Tomacorrientes auxiliares de AC

Las unidades vienen equipadas con una variedad de tomacorrientes auxiliares CA. Consulte Figura 13 y la siguiente tabla.



A	Tomacorrientes 120V GFCI	Las salidas proporcionan una alimentación de 120 V protegida por un interruptor diferencial (GFCI)
B	Botones de restablecimiento GFCI	Restablece los tomacorrientes de GFCI
C	Tomacorrientes auxiliares	Varios tomacorrientes auxiliares
D	Disyuntores de tomacorrientes auxiliares	Enciende y apaga los tomacorrientes auxiliares

Consulte la Figura 14 y la siguiente tabla para ver los tipos de tomacorrientes disponibles.

14



A



B



C



D



E

A	NEMA 5-20R dúplex, GFCI de 20 amperios, 120 voltios, 2 polos, 3 cables
B	Tomacorriente CS6369 de 50 amperios, 120/240 voltios, tripolar y 4 cables
C	NEMA L14-30R bloqueo giratorio de 30 amperios, 120/240 voltios, 3 polos, 4 cables
D	NEMA TT-30R de 30 amperios, 120 voltios, 2 polos, 3 cables
E	NEMA L14-50R de 50 amperios, 120/240 voltios, 3 polos, 4 cables

La alimentación hacia los tomacorrientes se suministra cuando el motor está en funcionamiento y el disyuntor principal está ENCENDIDO.

Cada tomacorriente está protegido con un disyuntor especializado. Si el disyuntor se dispara:

1. Desconecte la carga desde el tomacorriente.
2. Apague el motor.
3. Espere 10 minutos para que el generador se enfríe.
4. Corrija el problema de carga.
5. Arranque el motor.
6. Restablezca el disyuntor.

Nota: Asegúrese de revisar también el disyuntor GFCI en el tomacorriente GFCI y restablézcalo si es necesario.

7. Vuelva a conectar la carga.
8. Si el problema persiste, consulte **T Solución de problemas**.

Apagado de la unidad

1. Apague el motor. Consulte **Operación: operación del motor**.
2. Ahora la unidad está lista para transportarla. Consulte **Transporte**.

Mantenimiento

Antes de realizar cualquier procedimiento de mantenimiento, lea **Seguridad**.

Los procedimientos de mantenimiento programados son necesarios para una operación segura y efectiva de la unidad. Bajo condiciones extremas (de mucho polvo, calor o frío extremo, etc.), se deben realizar procedimientos de mantenimiento más frecuentes.



ADVERTENCIA

Peligro de operación no segura

- Operar o transportar una máquina con piezas faltantes, dañadas o desgastadas podría provocar lesiones graves o la muerte. Reemplace oportunamente las piezas faltantes, dañadas o desgastadas. No opere ni transporte esta máquina hasta que se hayan reemplazado todas las piezas faltantes, dañadas o desgastadas y después de que se haya verificado su buen funcionamiento.

General

Use la lista de verificación previa a la operación como guía general de mantenimiento. Ver **Lista de verificación previa a la operación**.

Motor

Mantenimiento general del motor

Consulte el Manual del operador del motor para conocer todos los procedimientos de mantenimiento programado del motor (lo que incluye aceite, refrigerante, filtros, etc.).

Drenaje del aceite del motor

La unidad está equipada con un drenaje remoto de aceite del motor (A, Figura 15).

Para drenar el aceite del motor:

1. Coloque un recipiente aprobado bajo el drenaje de aceite.
2. Retire el tapón de drenaje de aceite o abra la válvula de drenaje de aceite, según el modelo.
3. Deje que el aceite del motor se drene por completo en el recipiente aprobado. Asegúrese de eliminar el aceite del motor usado, de acuerdo con las normas locales, estatales, provinciales o federales.
4. Reemplace el tapón de drenaje de aceite o cierre la válvula de drenaje de aceite.
5. Agregue aceite al motor. Consulte las Especificaciones o el Manual del operador del motor para conocer las recomendaciones y la capacidad de aceite.

AVISO

No agregarle aceite al motor provocará daños al mismo.

Drenaje de refrigerante del motor

AVISO

Si no se utiliza en el radiador el tipo de refrigerante requerido (tal como se indica en la sección **Especificaciones**), se podrían dañar el motor y el radiador, lo que invalidaría la garantía.

AVISO

La mezcla de diferentes tipos de refrigerantes podría dañar el motor y el radiador, lo que invalidaría la garantía.

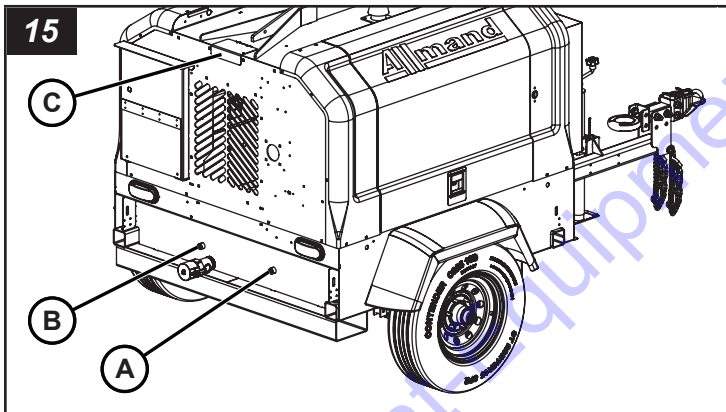
La unidad está equipada con un drenaje remoto del líquido refrigerante del motor (B, Figura 15).

Para drenar el líquido refrigerante del motor:

1. Coloque un recipiente aprobado bajo el drenaje de líquido refrigerante.
2. Retire el tapón de drenaje de líquido refrigerante o abra la válvula de drenaje de líquido refrigerante, según el modelo.
3. Permita que el líquido refrigerante del motor se drene por completo en el recipiente aprobado. Asegúrese de eliminar el líquido refrigerante de motor usado de acuerdo con los reglamentos locales, estatales, provinciales o federales.
4. Reemplace el tapón de drenaje de líquido refrigerante o cierre la válvula de drenaje de líquido refrigerante.
5. Abra la puerta de acceso de llenado de refrigerante (C, Figura 15) y añada refrigerante al radiador. Consulte la sección **Especificaciones**.

AVISO

No agregarle líquido refrigerante al motor provocará daños al mismo.



Sistema eléctrico

Generador

Consulte el Manual del operador del generador para obtener información acerca de todos los procedimientos de mantenimiento programado del generador.

Remolque

Armazón

1. Revise que el acoplador del remolque funcione correctamente, y controle si presenta corrosión o está dañado. Reemplace según sea necesario.
2. Inspeccione si los paneles de la carrocería y el armazón del remolque presentan óxido, mellas y picaduras. Utilice la pintura para retoques correcta para retocar las mellas y rayas. Comuníquese con su distribuidor para obtener información adicional.

3. Inspeccione si el eje, los muelles y el bastidor presentan desgaste y daños. Reemplace según sea necesario.
4. Inspeccione el gato de la lengua para determinar que funciona correctamente y busque signos de desgaste, daños o corrosión. Repare o reemplace según sea necesario.
5. Inspeccione las cadenas de seguridad en busca de daños por desgaste y corrosión. Reemplace según sea necesario.
6. Revise el juego de separación para comprobar si presenta daños. Compruebe que la batería esté cargada correctamente. Revise el cableado para comprobar si presenta desgaste o deshilachado. Inspeccione el cable de separación para comprobar si presenta desgaste o daño. Repare o reemplace según sea necesario.

Puntos de engrase

1. Use grasa de lubricación de cojinetes antifricción para alta temperatura con consistencia N.G.L.I. N.º 2, para todos los puntos mecánicos de giro del remolque.

Ruedas y neumáticos del remolque



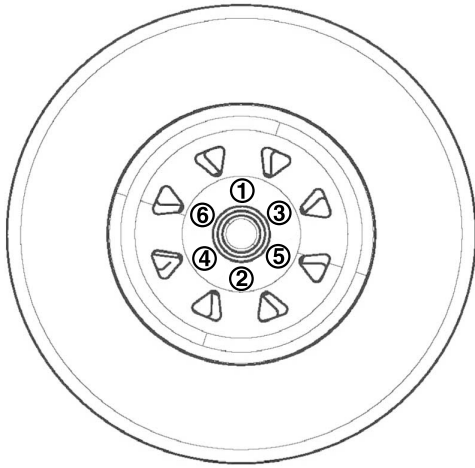
ADVERTENCIA

Peligro de remolque

Arrastrar el remolque con los neumáticos, tuercas de orejeta o llantas dañadas puede provocar lesiones graves o la muerte. Nunca arrastre el remolque con tuercas de orejeta, llantas y neumáticos dañados.

1. Compruebe si los neumáticos presentan rajaduras, cortes o daños. Repare o reemplace los neumáticos dañados antes de remolcar.
2. Revise la presión de aire de los neumáticos del remolque cuando estén fríos. Consulte Especificaciones.
3. Compruebe si las llantas de las ruedas presentan rajaduras o daños.
4. Revise los frenos para asegurarse de que funcionen correctamente.
5. Asegúrese de que todas las tuercas de orejeta estén en su lugar. Nunca mueva el remolque si faltan tuercas de orejeta o si estas no están bien apretadas.
6. Revise que las tuercas de orejeta estén bien apretadas. El torque correcto para las tuercas de orejeta es 90 lb/ pies (122 Nm).
7. Cuando apriete las tuercas de orejeta, siempre utilice un patrón entrecruzado.

16



Cojinetes de las ruedas

Consulte el manual del eje para ver información sobre el mantenimiento de los cojinetes de las ruedas y otros componentes del eje.

Iluminación del remolque



ADVERTENCIA

Peligro de remolque

- Nunca arrastre el remolque si las luces de este último no funcionan. Las luces son una característica de seguridad fundamental de su remolque, y también son elementos obligatorios que exigen las leyes estatales. Mantenga las luces en buenas condiciones de funcionamiento.
1. Compruebe si las luces del remolque y el arnés presentan daños o desgaste. Repare o reemplace según sea necesario.
 2. Asegúrese de que el arnés esté fijado al remolque y que no cuelgue sobre el suelo.
 3. Compruebe si los conjuntos de carcasa de las luces traseras presentan daños o filtraciones. Utilice un sellador de goma o silicona para sellar la lente o el arnés, según se requiera, o bien, reemplace el conjunto de carcasa. La grasa eléctrica ayuda a proteger los portalámparas y evitar la corrosión.
 4. Cuando reemplace las bombillas, asegúrese de utilizar las bombillas correctas y utilice una pequeña cantidad de grasa eléctrica en los portalámparas evitar su corrosión.
 5. Para obtener información acerca del esquema de cableado del remolque, consulte el Manual de esquema del cable.

Limpieza



ADVERTENCIA

Peligro de enredo

No apagar el motor antes de la limpieza de la unidad podría provocar lesiones graves o la muerte. Siempre apague el motor antes de limpiar la unidad.



ADVERTENCIA

Peligro de quemaduras

Apague el motor y deje que pase suficiente tiempo para que los componentes se enfríen antes de limpiar la unidad. De lo contrario, se podrían provocar quemaduras graves.

AVISO

Tenga precaución al usar lavadoras de vapor/agua a presión o de aire comprimido. No limpie a presión los componentes eléctricos, ya que esto puede dañarlos.

Mantener la unidad limpia es importante para garantizar un buen funcionamiento. La acumulación de polvo y suciedad actúa como un aislante y puede provocar que el motor y el generador operen a temperaturas excesivamente altas.

Use las siguientes indicaciones como pautas de limpieza:

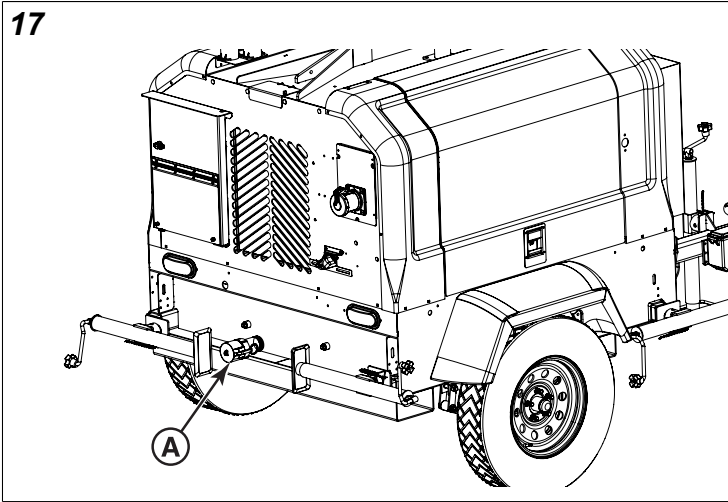
1. Limpie el remolque y elimine todo el polvo, la suciedad y cualquier material extraño.
2. Limpie todos los componentes y el cableado eléctrico manualmente con un limpiador no corrosivo.
3. Limpie el interior del compartimento del motor.
4. Limpie todos los derrames de aceite o líquido en el interior del compartimento del motor.
5. Vacíe la bandeja de contención de líquido.
Consulte **Drenaje de la bandeja de contención de líquido**.

Sistema de contención de líquidos

La unidad contiene un sistema de contención de líquidos diseñado para recolectar derrames de combustible, aceite y refrigerante. Para drenar:

1. Coloque un recipiente adecuado debajo del drenaje de contención de líquidos (A, Figura 17)
2. Retire el tapón de drenaje.
3. Permita que el líquido se drene por completo en el recipiente.
4. Vuelva a instalar el tapón de drenaje.
5. Deseche el líquido apropiadamente conforme a las pautas gubernamentales.

17



Almacenamiento durante períodos prolongados

Se requiere de un mantenimiento adecuado cuando la unidad se vaya a almacenar o sacar de funcionamiento durante períodos prolongados.

Consulte el manual del operador del motor y el manual del operador del generador para ver todos los procedimientos de almacenamiento a largo plazo del motor y generador.

1. Realice todas las reparaciones necesarias para garantizar que el equipo esté completamente funcional cuando se realice la nueva puesta en servicio.
2. Limpie y lave el armazón y los paneles de la carrocería. Aplique una capa de anticorrosivo en todas las superficies donde corresponda.
3. Limpie todos los derrames de aceite o líquido en el interior del compartimiento del motor.
4. Drene el sistema de contención de fluido.
5. Limpie todos los componentes y el cableado eléctrico manualmente con un limpiador no corrosivo.
6. Desconecte y retire la batería.
7. Utilice una cubierta adecuada para proteger la unidad.
8. Apoye correctamente el eje del remolque sobre soportes regulables u otras bases adecuadas, para permitir que los neumáticos permanezcan despegados del suelo durante el almacenamiento.

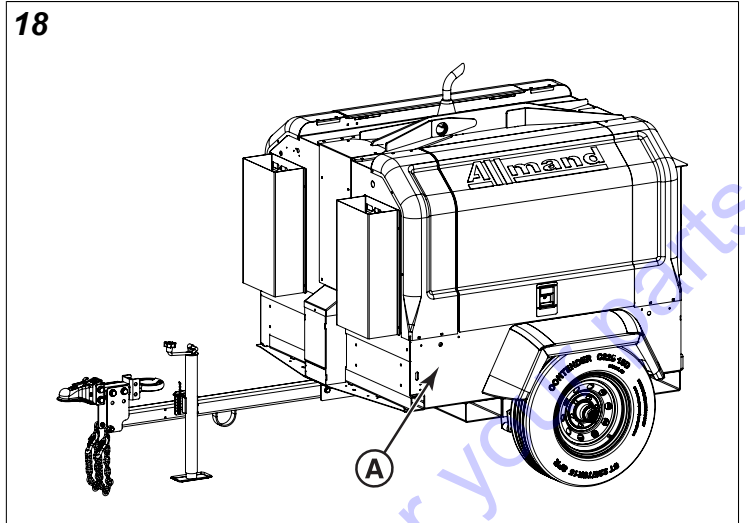
Modelos y números de serie

La información de modelo y número de serie es necesaria para el soporte de productos y las piezas de reparación. A continuación, se muestran las ubicaciones del modelo y el número de serie de los componentes principales.

de iluminación

La placa de número de serie del remolque se encuentra en el lado delantero izquierdo de la unidad (A, Figura 18).

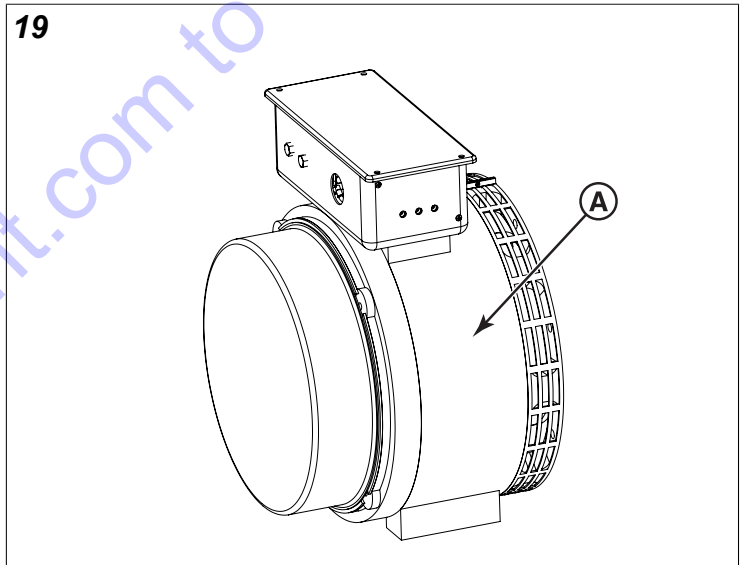
18



Generador

El generador tiene una placa de número de serie (A, Figura 19) adjunta al lado de la carcasa.

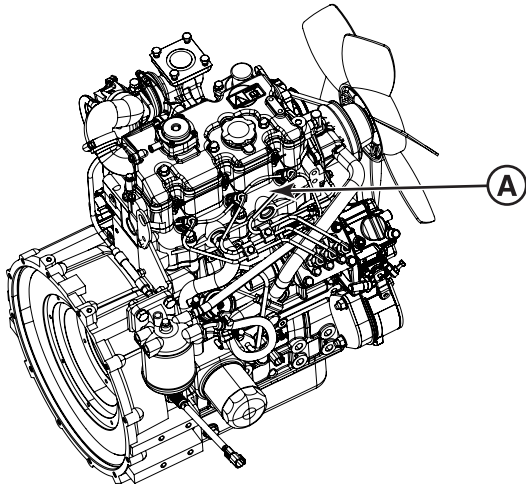
19



Motor

El motor tiene una placa de número de serie (A, Figura 20) adjunta cerca de la parte superior del motor.

20



Solución de problemas

Antes de realizar cualquier procedimiento de solución de problemas, consulte **Seguridad**.

En el caso de solución de problemas del motor y generador, consulte el Manual del operador del motor y el Manual del operador del generador o bien, comuníquese con su distribuidor.

Para todos los demás problemas, comuníquese con su distribuidor.

La sección

Dimensiones generales

Dimensiones	Imperial	Métrico
Largo	10 pies, 6 pulg	3,20 m
Ancho	6 pies, 5 pulg	1,96 m
Altura	6 pies - 2 pulg	1.86 m
Luz inferior	8,5 pulg	216 mm
Peso con embalaje	2500 lbs	1134 kg
Clasificación de peso bruto del vehículo (GVWR)	5000 lb	2267 kg

de iluminación

Especificación	Imperial	Métrico
Clasificación de peso bruto del eje (GAWR)	5000 lb	2267 kg
Tamaño y clasificación de neumáticos	ST225/75R15D Rango de carga "D"	
Llantas	15 x 6 JJ	
Presión de inflado de neumáticos en frío	65 psi	448 kPa
Máx. Velocidad en pista	65 mph	105 km/h
Velocidad máxima fuera de carretera	20 mi/h	32 km/h
Tanque de combustible	100 galones estadounidenses	378 l
Estructura del armazón	Diseño de acero conformado en frío	

Eje	Diseño tubular	
Cubos	(6) pernos sin cabeza UNF de 1/2-20 en un círculo de perno de 5,5 pulg (139,7 mm)	
Resortes	Resortes elípticos: 3 láminas	
Luces del remolque para carretera	Luces de detención, de viraje, traseras, marcadoras laterales y de soporte para placa de licencia	
Conector de luces de carretera del remolque	Conector RV de 7 clavijas	
Cáncamo de elevación: capacidad nominal	5000 lb	2267 kg
Puntos de sujeción	2 ranuras de sujeción en el tubo de la cavidad para grúa horquilla trasera y 2 ranuras de sujeción en el tubo de la cavidad para grúa horquilla delantera	
Cavidades para grúa horquilla	2 de cada lado	

Eléctrico: potencia CA

Frecuencia	60 Hz
Potencia de salida nominal de cebado con el motor Cat 1.5T	15,0 kW
Alternador	Regulador de tensión automático (AVR) de 120/240 V CA
Fases	Monofásico

Motor: información general de mantenimiento

PERKINS TURBO 1.5T		
Especificación	Imperial	Métrico
Modelo	Perkins 1.5T	
Tipo	Diésel, de 3 cilindros, enfriado por agua	
Desplazamiento	91 pulg cúbicas	1491 cc
Aspiración	Turbocargado	
Emisiones	Tier 4 Final de la EPA/Fase IV de la UE	
Potencia de salida: cebado	22,3 Hp a 1800 rpm	16,6 kWm a 1800 rpm
Sistema de combustible	Inyección indirecta	
Asistente de arranque	Bujía precalentadora	
Alternador del Motor	60 A	
Apagado automático por baja presión del aceite	10 psi	69 kPa
Apagado automático por temperatura alta del agua	234 °F	112 °C
Combustible	En Norteamérica, se exigen combustibles diésel que cumplan con la norma ASTM D975 para diésel ultra bajo en azufre (ULSD). El ULSD tiene un contenido máximo de azufre de 15 partes por millón (PPM) o 15 mg/kg. El combustible diésel puede ser n.º 1-D o n.º 2-D. Consulte el Manual del operador del motor para obtener información detallada.	
Aceite del motor	Consulte el Manual del operador del motor para obtener información detallada.	
Capacidad del aceite del motor: con filtro	7,5 cuartos de galón	7,0 l
Capacidad del sistema de refrigerante	6,5 cuartos de galón estadounidenses	6,1 l

Capacidad del sistema de refrigerante	Refrigerante para vida extendida sin nitrato con tecnología de ácido orgánico (OAT), libre de 2-EHA	
Capacidad del depósito de desborde de refrigerante	1.1 qt	1,0 l
Intervalo de mantenimiento (cambio de aceite y el filtro)	500 horas	
Intervalo de mantenimiento (filtro de combustible)	500 horas	
Intervalo de mantenimiento (filtro de aire)	Consulte el manual del motor	
Nota*	<i>El aceite del motor debe revisarse antes de la operación y rellenarse si es necesario</i>	

Eléctrico: energía CC

Sistema eléctrico del motor	12 V CC
Cantidad de baterías	1-2
Tamaño de la batería	Grupo 24
Tipo de batería	Estándar (ácido-plomo) Opcional (separador de fibra de vidrio absorbente [AGM])
Clasificación de la batería	525 CCA a 0 °F (-18 °C) 775 CCA a 0 °F (-18 °C)

Manuales de componentes

Además de este Manual del operador, asegúrese de leer los manuales de los componentes que se incluyen con la máquina.

Para consultar los modelos equipados con el eje Dexter, los manuales del operador pueden encontrarse en línea en <http://www.dexteraxle.com/resources/manuals>.

Para consultar el mantenimiento del freno eléctrico, elija el freno eléctrico de trabajo liviano.

Para consultar el mantenimiento de los cubos, tambores y cojinetes, elija los cubos, tambores y cojinetes de trabajo liviano.

Para consultar el cronograma de mantenimiento, elija el cronograma de mantenimiento de trabajo liviano.

Información de defectos de seguridad

Información de defectos de seguridad al Gobierno de los Estados Unidos

Si considera que su vehículo tiene un defecto que podría causar un choque, lesiones o la muerte, debe informar de inmediato a la Administración Nacional de Seguridad de Tráfico en Carreteras (NHTSA), además de informar a Allmand.

Si la NHTSA recibe quejas similares, puede abrir una investigación y si considera que existe un defecto de seguridad en un grupo de vehículos, puede ordenar una campaña de retirada y reparación. Sin embargo, la NHTSA no se puede involucrar en problemas individuales entre el usuario, el distribuidor o Allmand.

Para comunicarse con la NHTSA puede llamar a la línea gratuita directa de seguridad vehicular al 1-888-327-4236 (TTY:1-800-424-9153); visite <http://www.safercar.gov>; o escriba a: Administrator, NHTSA, 400 Seventh Street, SW., Washington, DC 20590.

También puede obtener información acerca de la seguridad vehicular del motor en <http://www.safercar.gov>.

Información de defectos de seguridad al Gobierno de Canadá

Si vive en Canadá, y considera que el vehículo tiene un defecto de seguridad, informe de inmediato al Departamento de Transporte de Canadá y notifique a Allmand. Llame al Departamento de Transporte de Canadá al 1-800-333-0510; visite www.tc.gc.ca/recalls (inglés) www.tc.gc.ca/rappels (francés); o escriba a: Transport Canada Motor Vehicle Safety Directorate Defect Investigations and Recalls Division, 80 Noel Street, Gatineau, QC J8Z 0A1

Información de defectos de seguridad a Allmand

Además de notificar a la NHTSA (o al Departamento de Transporte de Canadá) en una situación como esta, debe notificar a Allmand. Contáctese con el Departamento de Servicio de Allmand al 1-800-562-1373, visite www.allmand.com o escriba a: Allmand Bros., Inc. P.O. Box 888 Holdrege, NE 68949.

Información de seguridad de neumáticos

En la siguiente sección se encuentra la información de seguridad de neumáticos según

lo exige 49 CFR 575.6. Abarcará lo siguiente:

(i) El etiquetado de los neumáticos, incluida una descripción y explicación de cada marca en los neumáticos que se proporcionan con el vehículo, además de información sobre la ubicación del número de identificación del neumático (TIN);

(ii) Presión recomendada de inflado de los neumáticos, incluida una descripción y explicación de:

(A) Presión recomendada de inflado en frío de los neumáticos,

(B) La etiqueta de presión de inflado y la placa del vehículo, junto con su ubicación en el vehículo

(C) Consecuencias adversas para la seguridad provocadas por un inflado deficiente (incluida la falla del neumático) y

(D) Medición y modificación de la presión de aire para lograr el inflado apropiado;

(iii) Glosario de terminología relacionada con los neumáticos, incluidas expresiones como "presión de neumáticos en frío", "presión de inflado máxima" y "presión de inflado recomendada", además de otras expresiones no técnicas;

(iv) Cuidado de los neumáticos, incluidas prácticas de mantenimiento y seguridad;

(v) Límites de carga del vehículo, incluida una descripción y explicación de lo siguiente:

(A) Ubicación y comprensión de la información sobre límites de carga, la capacidad total de carga, la capacidad de ocupación, la capacidad de remolque y la capacidad de carga,

(B) Cálculo de la carga y de las capacidades de carga total con diversas configuraciones de ocupación, incluidos ejemplos cuantitativos que muestran cómo la capacidad de equipaje y de carga del vehículo disminuye a medida que aumenta la cantidad y el tamaño combinados de los ocupantes,

(C) Determinación de la compatibilidad de las capacidades de carga del vehículo y de los neumáticos,

(D) Consecuencias de seguridad adversas de la sobrecarga en la manipulación, las paradas y sobre los neumáticos.

1. Pasos para la determinación del límite de carga correcto: remolque

La determinación de los límites de carga de un remolque implica más que comprender los límites de carga de los neumáticos. Todos los remolques cuentan con una etiqueta de VIN/certificación federal colocada en la mitad delantera del lado izquierdo (el de la carretera) de la unidad. Esta certificación/etiqueta VIN indica la clasificación de peso bruto del vehículo (Gross Vehicle Weight Rating, GVWR) del remolque. Este es el peso máximo que el remolque cargado totalmente puede tener. También se indicará allí la clasificación de peso bruto del eje (Gross Axle Weight Rating, GAWR). Y este es el peso máximo que un eje determinado puede tener. En caso de haber varios ejes, se incluirá la GAWR de cada uno.

Si su remolque tiene una GVWR de 10 000 libras o menos, se incluye una placa en el vehículo ubicada en el mismo lugar que la etiqueta de certificación anteriormente descrita. Allí se brinda información del neumático y de la carga. Además, en esta placa se incluirá una declaración sobre la capacidad de carga máxima. Se puede agregar carga al remolque, hasta el peso máximo especificado en la placa. El peso combinado de la carga se proporciona como un solo número. En cualquier caso, debe recordar siempre que el peso total de un remolque totalmente cargado no puede superar la GVWR especificada.

En el caso de los remolques con dependencias habitacionales, se debe tener en cuenta el peso del agua y el gas propano. El peso de los recipientes de propano totalmente llenos se considera parte del peso del remolque antes de que se lo cargue, y no se lo incluye como parte de la carga desechable. Sin embargo, el agua es un peso de carga desechable y se la trata como tal. Si hay un tanque de almacenamiento de agua dulce de 100 galones, una vez lleno tiene un peso de 800 libras. Si se transporta una carga mayor, el agua puede descargarse para mantener la cantidad total de la carga agregada al vehículo dentro de los límites del GVWR, a fin de no sobrecargar el vehículo. Comprender esta flexibilidad le permitirá a usted, el propietario, tomar decisiones adecuadas a sus necesidades de viaje.

Cuando cargue el remolque, asegúrese de distribuir la carga de manera uniforme, evitando sobrecargar de adelante hacia atrás, o de lado a lado. Los artículos pesados deben colocarse debajo y tan cerca de los ejes como sea posible. La ubicación de demasiados artículos en un lado puede sobrecargar un neumático. La mejor manera de saber cuál es el peso real del vehículo es pesarlo en una balanza pública. Hable con su distribuidor sobre los métodos de pesado necesarios para determinar los distintos pesos relacionados con el remolque. Esto incluiría el peso vacío o descargado, los pesos por eje, rueda, enganche o pivote de acoplamiento, y el peso total.

Las cargas excesivas o el inflado deficiente provocan la sobrecarga del neumático que a su vez, produce su flexión anormal. Esta generación puede provocar una cantidad excesiva de calor en el interior del neumático, que puede dar como resultado su falla. La presión del aire permite que el neumático soporte la carga, por lo que es fundamental contar con un inflado apropiado. La presión de aire adecuada puede encontrarse en la etiqueta de VIN/certificación y en la placa del neumático. Este valor nunca debe superar la presión de inflado en frío máxima estampada en el neumático.

1.1 Remolques con GVWR de 10 000 libras (4536 kg) o menos

- (1) Encuentre la declaración “El peso de la carga nunca debe superar los XXX kg o las XXX lb” indicada en la placa del vehículo.
- (2) Este número es igual a la capacidad de carga y equipaje disponible.
- (3) Determine el peso combinado del equipaje y de la carga que se transporta en el vehículo. Dicho peso no puede superar de manera segura la capacidad de carga y equipaje.

1.2 Remolques con GVWR de 10 000 libras (4536 kg) o más (Nota: En estos remolques, no se requiere una placa con información del neumático instalada en el vehículo.)

- (1) Determine el peso vacío del remolque pesándolo en balanzas públicas o por otros medios. No es necesario repetir este paso.
- (2) Ubique la GVWR del remolque en la etiqueta del VIN (certificado) del remolque.
- (3) Quite el peso vacío del remolque a la GVWR indicada en la etiqueta del VIN. El peso resultante es la capacidad de carga máxima disponible del remolque y no puede superarse de manera segura.

2. Pasos para la determinación del límite de carga correcto: vehículo remolcador

- (1) Encuentre la declaración “El peso combinado de los ocupantes y de la carga nunca debe superar los XXX kg o las XXX lb” indicada en la placa del vehículo.
- (2) Determine el peso combinado del conductor y los pasajeros que viajarán en el vehículo.
- (3) Quite el peso combinado del conductor y los pasajeros a XXX kg o XXX lb.

(4) El número resultante es igual a la capacidad de carga y equipaje disponible. Por ejemplo, si la cantidad “XXX” es igual a 1400 lb y habrá cinco pasajeros con un peso de 150 lb en el vehículo, la capacidad de carga y equipaje disponible es de 650 lb ($1400 - 750 [5 \times 150] = 650$ lb)

(5) Determine el peso combinado del equipaje y de la carga que se transporta en el vehículo. Dicho peso no puede superar de manera segura la capacidad de carga y equipaje calculada en el paso 4.

(6) Si su vehículo arrastrará un remolque, la carga del remolque se transferirá al vehículo. Consulte el manual del vehículo de remolque para determinar cómo esto reduce la capacidad de carga y equipaje disponible del vehículo.

3. Glosario de terminología relacionada con los neumáticos

Peso de los accesorios hace referencia al peso combinado (que supera los elementos estándares que pueden reemplazarse) de la transmisión automática, la dirección asistida, los frenos de motor, las ventanillas eléctricas, los asientos eléctricos, la radio y el sistema de calefacción, hasta el punto en que estos elementos están disponibles como equipo instalado en fábrica (estén instalados o no).

Talón hace referencia a la parte del neumático compuesta por alambres de acero, envueltos o reforzados con cables de capas, cuya forma se adapta a la llanta.

Separación del talón hace referencia a una descomposición de la unión entre los componentes del talón.

Neumático de carcasa diagonal hace referencia a un neumático con aire en el cual los cables de las capas que se extienden hasta los talones están dispuestos en ángulos alternos a menos de 90 grados en relación con la línea central de la banda de rodadura.

Carcasa hace referencia a la estructura del neumático, excepto el talón y el flanco de goma que, una vez inflado, soportan la carga.

Fragmentación hace referencia a la desintegración de piezas de la banda de rodadura o del flanco.

Cable hace referencia a los hilos que conforman las capas en el neumático.

Separación de cables hace referencia a la separación de los cables de los componentes de caucho adyacentes.

Agrietamiento hace referencia a las divisiones dentro de la banda de rodadura, el flanco o el revestimiento interior del neumático, hasta el material de los cables.

Peso en vacío hace referencia al peso de un vehículo motorizado con equipo estándar, incluida la capacidad máxima de combustible, aceite y refrigerante, y si está equipado, sistema de aire acondicionado y el peso adicional de un motor opcional.

Presión de aire en frío hace referencia a la presión de los neumáticos cuando el vehículo no se ha conducido durante al menos tres horas.

Neumático para carga extra hace referencia a un neumático diseñado para funcionar con cargas superiores y a mayores presiones de inflado que el neumático estándar correspondiente.

Ranura hace referencia al espacio entre dos costillas adyacentes de la banda de rodadura.

Clasificación de peso bruto del eje o GAWR hace referencia al valor especificado por el fabricante del vehículo como la capacidad de carga de un solo sistema de ejes, según se mide en las interfaces neumático-suelo.

Clasificación de peso bruto del vehículo o GVWR hace referencia al valor especificado por el fabricante como el peso cargado de un solo vehículo.

Peso de enganchado hace referencia a la fuerza hacia abajo que ejerce el acoplador del remolque sobre la bola de enganche.

Revestimiento interior hace referencia a las capas que conforman la superficie interior de un neumático sin cámara que contiene el medio de inflado dentro del neumático.

Separación del revestimiento interior hace referencia a la división del revestimiento interior del material del cable en la carcasa.

Neumático para camión liviano (LT) hace referencia a un neumático cuyo fabricante lo ha designado para usar en camiones livianos o vehículos de pasajeros multipropósitos.

Índice de carga hace referencia a la carga máxima que puede cargar un neumático con una presión de inflado dada.

Clasificación de carga máxima hace referencia a la clasificación de carga para un neumático a la presión de inflado máxima permitida para dicho neumático.

Presión de inflado máxima permitida hace referencia a la presión de inflado en frío máxima a la que se puede inflar un neumático.

Peso máximo de vehículo cargado hace referencia a la suma de: (a) peso en vacío; (b) peso de accesorios, (c) peso de capacidad del vehículo y (d) peso de opciones de producción.

Llanta de medición hace referencia a la llanta en la cual se coloca un neumático según los requisitos de las dimensiones físicas.

Llanta sin aire hace referencia a un dispositivo mecánico que, cuando un conjunto de neumático sin aire incorpora una rueda, soporta el neumático y se fija, de manera integral o separada, al miembro central de la rueda y al cual el neumático se fija.

Conjunto de neumático de repuesto sin aire hace referencia a un conjunto de neumático sin aire para uso temporal en lugar de uno de los neumáticos y llantas con aire que se utilizan en un automóvil de pasajeros de acuerdo con los requisitos de este estándar.

Neumático sin aire hace referencia a un dispositivo mecánico que transmite, ya sea directamente o a través de una rueda o el miembro central de una rueda, la carga vertical y las fuerzas de tracción desde la carretera al vehículo, genera las fuerzas de tracción que proporcionan el control dirección del vehículo y no contiene ni gases ni líquidos que proporcionen dichas funciones.

Conjunto de neumático sin aire hace referencia a un neumático sin aire, solo o junto con una rueda o miembro central de una rueda, que puede colocarse en un vehículo.

Peso normal de ocupación hace referencia a la cantidad de ocupantes especificada en la segunda columna de la Tabla I de 49 CFR 571.110 multiplicada por 68 kg (150 lb).

Distribución de ocupación hace referencia a la distribución de los ocupantes en un vehículo, según se especifica en la tercera columna de la Tabla I de 49 CFR 571.110.

Empalme abierto hace referencia a cualquier división en una unión de la banda de rodamiento, el flanco o el revestimiento interior que se extiende hasta el material del cable.

Diámetro exterior hace referencia al diámetro general de un neumático nuevo inflado.

Ancho general hace referencia a la distancia linear entre los exteriores de los flancos de un neumático inflado, incluidas las elevaciones debido a etiquetados, decoraciones, bandas protectoras o resaltes.

Neumático de automóvil de pasajeros hace referencia a un neumático para uso en autos de pasajeros, vehículos de pasajeros multipropósitos y camiones, con una clasificación de peso bruto del vehículo (Gross Vehicle Weight Rating, GVWR) de 10 000 libras o menos.

Peso del pin hace referencia a la fuerza hacia abajo aplicada a la quinta rueda o bola del cuello de cisne, por el acoplador del cuello de cisne o pivote de acoplamiento del remolque.

Capa hace referencia a una capa de cables paralelos recubiertos en caucho.

Separación de capas hace referencia a la división de los compuestos de caucho entre capas adyacentes.

Neumático con aire hace referencia a un dispositivo mecánico creado con caucho, productos químicos, telas, aceros u otros materiales que, cuando se coloca en la rueda de un automóvil, proporciona la tracción y contiene el gas o el líquido de mantiene la carga.

Peso de opciones de producción hace referencia al peso combinado de aquellas opciones de producción regulares instaladas que pesan más de 2,3 kg por encima de los elementos estándar que reemplazan, que no se habían tenido en cuenta en el peso en vacío o en el peso de accesorios, y que pueden incluir frenos de servicio pesado, niveladores de desplazamiento, portaequipajes, batería de servicio pesado y terminaciones especiales.

Neumático de carcasa radial hace referencia a un neumático con aire en el cual las capas de la carcasa que se extienden hasta los talones están dispuestos en ángulos de 90 grados en relación con la línea central de la banda de rodadura.

Presión recomendada de inflado hace referencia a la presión de inflado en frío apropiada que se indica en la etiqueta de información del neumático.

Neumático reforzado hace referencia a un neumático diseñado para funcionar con cargas superiores y a mayores presiones de inflado que el neumático estándar correspondiente.

Llanta hace referencia al soporte de metal para un neumático, o a un conjunto de neumático y cámara sobre el cual se asientan los talones del neumático.

Diámetro de la llanta hace referencia al diámetro nominal del asiento del talón.

Designación de tamaño de la llanta hace referencia al diámetro de la llanta y a su ancho.

Designación de tipo de llanta hace referencia a la designación de la industria del fabricante para una llanta, según el estilo o un código.

Ancho de la llanta hace referencia a la distancia nominal entre los bordes de la llanta. **Ancho de la sección** hace referencia a la distancia linear entre los exteriores de los flancos de un neumático inflado, sin incluir las elevaciones debido a etiquetados, decoraciones, bandas protectoras o resaltes.

Flanco hace referencia a la parte del neumático entre la banda de rodadura y el talón.

Separación del flanco hace referencia a la división del compuesto de caucho del material del cable en el flanco.

Neumático ST hace referencia a un neumático diseñado para usar solamente en remolques arrastrados en una carretera.

Llanta de prueba hace referencia a la llanta sobre la que se coloca un neumático para realizar pruebas, y puede ser cualquier llanta que esté especificada como apropiada para usar con ese neumático.

Banda de rodadura hace referencia a la parte de un neumático que está en contacto con la carretera.

Costilla de la banda de rodadura hace referencia a la sección de la banda de rodadura que se desplaza en forma periférica alrededor de un neumático.

Separación de la banda de rodadura hace referencia al alejamiento de la banda de rodadura de la carcasa del neumático.

Indicadores de desgaste de la banda de rodadura (TWI) hace referencia a las proyecciones dentro de las ranuras principales diseñadas para dar una indicación visual de los grados de desgaste de la banda de rodadura.

Peso de capacidad del vehículo hace referencia a la carga y al equipaje nominales más la capacidad de ocupación designada del vehículo multiplicada por 68 kg.

Carga máxima del vehículo en el neumático hace referencia a la carga sobre un neumático individual que está determinada por la distribución, a cada eje, de su parte del peso máximo del vehículo cargado dividido entre dos.

Carga normal del vehículo en el neumático hace referencia a la carga sobre un neumático individual que está determinada por la distribución, a cada eje, de su parte del peso en vacío, el peso de accesorios y el peso normal de ocupación (distribuido según la Tabla I de 49 CFR 571.110) y dividido entre 2.

Miembro central de la rueda hace referencia, en el caso de un conjunto de neumático sin aire que incorpora una rueda, a un dispositivo mecánico que se fija, de manera integral o separada, a la llanta sin aire y permite la conexión entre la llanta sin aire y el vehículo; o, en el caso de un conjunto de llanta sin aire que no incorpora una rueda, a un dispositivo mecánico que se fija, de manera integral o separada, al neumático sin aire y permite la conexión entre el neumático y el vehículo.

Accesorio de fijación de la rueda hace referencia al accesorio utilizado para mantener el conjunto de rueda y neumático seguro durante las pruebas.

4. Tire Safety - Everything Rides On It

La Administración Nacional de Seguridad de Tráfico en Carreteras (NHTSA) ha publicado un folleto (DOT HS 809 361) sobre todos los aspectos de la seguridad de los neumáticos, según lo especificado por 49 CFR 575.6. Este folleto se reproduce, en parte, debajo. Se puede descargar sin cargo del sitio web de la NHSTA:

http://www.nhtsa.dot.gov/cars/rules/TireSafety/ridesonit/tires_index.html

Los estudios realizados sobre la seguridad de los neumáticos muestran que contar con una presión apropiada de los neumáticos, respetar los límites de carga de los vehículos y sus neumáticos (no llevar más peso en el vehículo del que este o los neumáticos pueden soportar), evitar los peligros de la carretera e inspeccionar los neumáticos para determinar que no tengan cortes, rajaduras y otras irregularidades son las cosas más importantes que puede hacer para evitar la falla de los neumáticos, por ejemplo, la separación de la banda de rodadura, un reventón o un neumático desinflado. Estas medidas, junto con otras actividades de cuidado y de mantenimiento, también pueden:

- Mejorar el manejo del vehículo
- Ayudar a protegerlo a usted y a otras personas de accidentes y roturas evitables
- Mejorar el ahorro de combustible
- Prolongar la vida útil de sus neumáticos

Este folleto tiene como finalidad ofrecer una descripción integral de la seguridad de los neumáticos, incluida información sobre los temas siguientes:

- Mantenimiento básico de los neumáticos
- Sistema uniforme de calificación de la calidad de los neumáticos
- Características fundamentales de los neumáticos
- Consejos de seguridad de los neumáticos. Use esta información para integrar a la seguridad de los neumáticos a su rutina de mantenimiento del vehículo.

Se debe reconocer que el tiempo que se dedica a los neumáticos es mínimo en comparación las incomodidades y las consecuencias a la seguridad que presentan un neumático desinflado u otras fallas.

La seguridad primero: mantenimiento básico de neumáticos

Los neumáticos que se mantienen de manera apropiada mejoran la dirección, el frenado, la tracción y la capacidad de carga del vehículo. Los neumáticos mal inflados y los vehículos sobrecargados son una de las principales causas de fallas de los neumáticos. Así, y tal como se mencionó antes, para evitar los neumáticos desinflados y otros tipos de fallas en los neumáticos, debe mantener la presión apropiada de los neumáticos, respetar los límites de carga del vehículo así como de los neumáticos, evitar los peligros de la carretera e inspeccionar periódicamente los neumáticos.

Encontrar los límites de carga y de presión de los neumáticos recomendados para su vehículo

Las placas de información de los neumáticos y las etiquetas de certificación de los vehículos contienen información sobre neumáticos y límites de carga. En estas etiquetas se indica información del fabricante de los vehículos, entre otra:

- Tamaño recomendado de neumáticos
- Presión recomendada de inflado de los neumáticos
- Peso de capacidad vehicular (VCW: el peso máximo de ocupación y carga que puede soportar un vehículo)
- Clasificación de peso bruto del eje delantero o trasero (Gross Axle Weight Rating, GAWR: el peso máximo que pueden soportar los sistemas de eje).

Ambas placas y etiquetas de certificación están fijadas de manera permanente al remolque, cerca de la parte izquierda delantera.

Comprender la presión de los neumáticos y los límites de carga

La presión de inflado de los neumáticos es el nivel de aire dentro del neumático que le otorga capacidad de carga, e influye en el rendimiento general del vehículo. La presión de inflado de los neumáticos es un número que indica la cantidad de presión de aire, medida en libras por pulgada cuadrada (psi), que requiere un neumático para estar correctamente inflados. (También encontrará este número en la placa de información del vehículo, expresado en kilopascales [kpa], que es la medida métrica usada a nivel internacional).

Los fabricantes de vehículos de pasajeros y de camiones livianos determinan este número según el límite de carga diseñado del vehículo, es decir, el mayor peso que un vehículo puede transportar de manera segura y el tamaño de neumáticos del vehículo. La presión apropiada de los neumáticos para su vehículo se denomina "presión recomendada de inflado en frío". (Tal como se le informará debajo, es difícil obtener la presión recomendada de los neumáticos si estos no están fríos.)

Los neumáticos se diseñan para usar en más de un tipo de vehículo, por lo que los fabricantes indican la "presión máxima de inflado permitida" en el flanco del neumático. Este número indica la presión mayor de aire que se debe ingresar en los neumáticos en condiciones de conducción normal.

Control de la presión de los neumáticos

Es importante controlar la presión de los neumáticos de su vehículo como mínimo una vez por mes, por las razones siguientes:

- De manera natural, la mayoría de los neumáticos pierde aire con el paso del tiempo.
- Si pasa sobre un bache u otro objeto, o si golpea el bordillo mientras estaciona, los neumáticos pueden perder aire sorpresivamente.
- En el caso de los neumáticos radiales, normalmente no es posible determinar la falta de aire mediante una inspección visual.

Para su comodidad, se recomienda comprar un medidor de presión de neumáticos y tenerlo en el vehículo. Los distribuidores de neumáticos, las tiendas de suministros automotores y otros comercios minoristas venden medidores.

La presión recomendada de inflado de los neumáticos que ofrecen los fabricantes de los vehículos indica el psi adecuado con el neumático frío. En este caso, frío no hace referencia a la temperatura exterior, sino que indica un neumático que no se ha utilizado para conducir en un plazo de, por lo menos, tres horas.

Cuando conduce, los neumáticos se calientan, haciendo que la presión del aire en su interior aumente. Es por este motivo que, a fin de obtener una lectura precisa de la presión de los neumáticos, debe medirla cuando los neumáticos están fríos, o compensar la presión extra en los que están calientes.

Pasos para mantener la presión adecuada de los neumáticos

- Paso 1: Encuentre la presión recomendada para los neumáticos en la placa de información de los neumáticos del vehículo, la etiqueta de certificación o en el manual del propietario.
- Paso 2: Registre la presión de todos los neumáticos.
- Paso 3: Si la presión es demasiado alta en alguno de los neumáticos, libere el aire lentamente al presionar el vástago de la válvula del neumático con el borde del medidor, hasta obtener la presión correcta.
- Paso 4: Si la presión es demasiado baja, note la diferencia entre la presión medida y la presión correcta. Estas libras “faltantes” de la presión es lo que deberá agregar.
- Paso 5: En una gasolinera, agregue las libras faltantes de presión a cada neumático que esté desinflado.
- Paso 6: Verifique todos los neumáticos para garantizar que tengan la misma presión de aire, excepto en los casos en que los delanteros deben tener presiones diferentes de los traseros.

Si ha estado conduciendo el vehículo y considera que tiene un neumático desinflado, agregue presión hasta el límite de inflado en frío recomendado que se indica en la placa de información o en la etiqueta de certificación del neumático. Si bien el neumático puede resultar ligeramente desinflado debido a las libras de presión adicionales en el neumático caliente, es más seguro conducir con presión apenas por debajo del límite recomendado de inflado en frío indicado por el fabricante en lugar de hacerlo con un neumático muy desinflado. Al ser esta una solución temporal, no olvide volver a comprobar la presión del neumático y modificarla cuando pueda hacer una lectura en frío.

Tamaño del neumático

A fin de mantener la seguridad de los neumáticos, compre nuevos que sean del mismo tamaño que los originales, o de un tamaño recomendado por el fabricante. Consulte la placa de información o el flanco del neumático que reemplaza, o el manual del propietario para obtener esta información. Si tiene dudas sobre el tamaño correcto, consulte al distribuidor de neumáticos.

Banda de rodadura del neumático

La banda de rodadura ejerce la acción de agarre y de tracción que impiden que el vehículo se deslice, en especial cuando la carretera está mojada o con hielo. En general, los neumáticos no son seguros y se deben reemplazar cuando la banda de rodadura está desgastada un 1/16 de pulgada. Los neumáticos cuentan con indicadores de desgaste integrados que le señalan cuándo debe reemplazarlos. Estos indicadores son secciones elevadas y situadas de manera intermitente en la parte inferior de las ranuras de la banda de rodadura. Cuando están “a nivel” con la parte exterior de la rodadura, entonces es momento de reemplazar los neumáticos. Otra manera de controlar la profundidad de la banda de rodadura (si está en los Estados Unidos) es colocar una moneda de un penique estadounidense con la cabeza de Lincoln invertida y apuntando hacia usted. Si puede ver la parte superior de la cabeza, necesita neumáticos nuevos.

Alineación de las ruedas y equilibrio de los neumáticos

A fin de evitar la vibración o el zarandeo del vehículo cuando la rueda gira, esta debe estar equilibrada de manera adecuada. Para lograr este equilibrio, se deben colocar pesos en la rueda para contrarrestar los puntos pesados en el conjunto de rueda y neumático. Una alineación de ruedas ajusta los ángulos de las ruedas para que estén posicionados correctamente en relación con el armazón del vehículo. Esta modificación prolonga la vida útil de los neumáticos. La realización de estos ajustes se hace con equipo especial y un técnico calificado.

Reparación de neumáticos

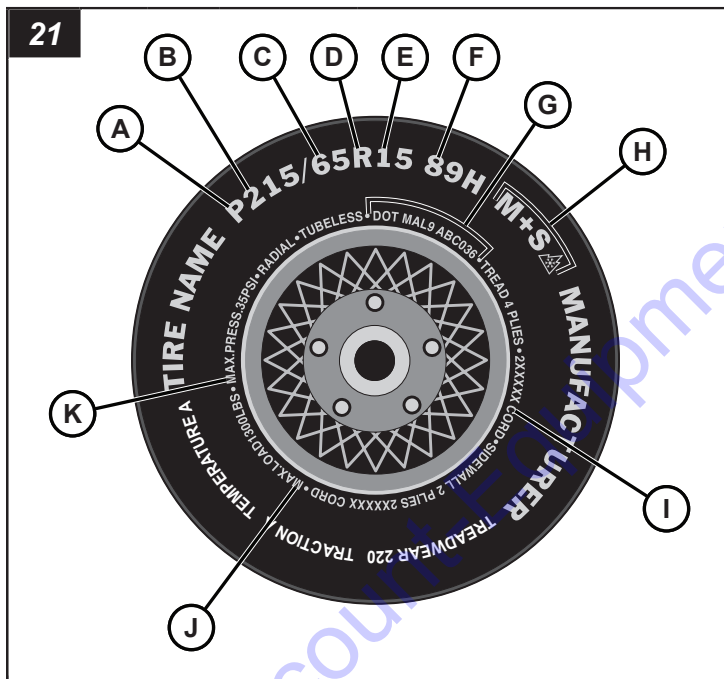
La reparación apropiada de un neumático pinchado exige un tapón para el orificio y un parche para la zona dentro del neumático que rodea al orificio de la pinchadura. Las pinchaduras en la banda de rodadura pueden repararse si no son demasiado grandes, pero las que ocurren en el flanco no se deben reparar. Los neumáticos deben quitarse de la llanta para inspeccionarlos apropiadamente antes de colocarles el tapón y el parche.

Información básica sobre neumáticos

La ley federal exige que los fabricantes de neumáticos presenten información estándar en los flancos de todos los neumáticos. Dicha información identifica y describe las características fundamentales del neumático, a la vez que ofrece un número de identificación del neumático para la certificación de seguridad estándar y en caso de un retiro del mercado.

Información en los neumáticos de los vehículos de pasajeros

Consulte la Figura 21 y la información siguiente.



A: La "P" indica que el neumático es para vehículo de pasajeros.

B: Este número de tres dígitos brinda el ancho del neumático en milímetros, desde el borde del flanco al borde del flanco. Generalmente, cuanto mayor es el número, más ancho el neumático.

C: Este número de dos dígitos, conocido como la relación de aspecto, brinda la relación de altura a ancho del neumático. Los números de 70 o inferiores indican un flanco chico para una mejor respuesta de la dirección y un manejo mejorado en general sobre pavimento seco.

D: La "R" indica radial. Durante los últimos 20 años, la construcción radial de neumáticos ha sido el estándar del sector.

E: Este número de dos dígitos es el diámetro de la rueda o llanta expresado en pulgadas. Si cambia el tamaño de la rueda, tendrá que comprar neumáticos nuevos que coincidan con el nuevo diámetro de la rueda.

F-

(Número) Este número de dos o tres dígitos es el índice de carga del neumático. Es una medida del peso que cada neumático puede soportar. Esta información se encuentra en el manual del propietario. De no ser así, contáctese con un distribuidor de neumáticos en su zona. *Nota: Es posible que esta información no esté en todos los neumáticos, ya que no se exige legalmente.*

(Letra) La clasificación de velocidad indica a qué velocidad debe conducirse este neumático por tiempos prolongados. Las clasificaciones varían de 99 millas por hora a 186 millas por hora. Debajo se indican estas clasificaciones. *Nota: Es posible que esta información no esté en todos los neumáticos, ya que no se exige legalmente.*

Clasificación de letra	Clasificación de velocidad
Q	99 mph
R	106 mph
S	112 mph
T	118 mph
U	124 mph
H	130 mph
V	168 mph*
Y	186 mph*

**Nota: En el caso de los neumáticos con una capacidad de velocidad superior a 149 mph, los fabricantes algunas veces utilizan las letras ZR. En el caso de los que tienen una capacidad de velocidad superior a 186 mph, los fabricantes algunas veces utilizan las letras ZR.*

G: Número de identificación de neumáticos del Departamento de Transporte de los EE. UU. Comienza con las letras "DOT" e indica que el neumático cumple con todos los estándares federales. Los dos números o letras siguientes son el código de planta donde se lo fabricó, y los últimos cuatro indican la semana y el año de construcción. Por ejemplo, los números 3197 indican la semana 31 de 1997. Los otros números son códigos de marketing empleados a discreción del fabricante. Esta información se utiliza para comunicarse con los clientes en caso de que un defecto del neumático amerite un retiro del mercado.

H: La combinación "M+S" o "M/S" indica que el neumático tiene cierta capacidad para uso en lodo y nieve. La mayoría de los neumáticos radiales tienen estas marcas, por lo que son algo aptos para usar en lodo y nieve.

I: Composición de las capas del neumático y materiales usados. La cantidad de capas indica cuántos niveles de tela recubierta en caucho posee el neumático. En general, a mayor cantidad de capas, mayor es el peso que puede soportar un neumático. Los fabricantes de neumáticos deben indicar asimismo los materiales incluidos, entre otros, acero, nylon, poliéster, etc.

J: Clasificación de carga máxima. Este número indica la carga máxima en kilogramos y en libras que puede soportar el neumático.

K: Presión de inflado máxima permitida. Este número indica la presión mayor de aire que se debe ingresar en los neumáticos en condiciones de conducción normal.

Sistema uniforme de clasificación de calidad de los neumáticos (UTQGS)

Los distintos grados de calidad pueden encontrarse, cuando corresponde, en el flanco del neumático, entre el hombro de la banda de rodadura y el ancho máximo de la sección. Por ejemplo:

DESGASTE DE BANDA DE RODADURA 200 TRACCIÓN AA

Temperatura A

Todos los neumáticos de los automóviles de pasajeros deben cumplir con los requisitos de seguridad federales además de estas clasificaciones.

Desgaste de banda de rodadura

La clasificación del desgaste de la banda de rodadura es una clasificación comparativa basada en el índice de desgaste del neumático cuando se le realizan pruebas en condiciones controladas, en un curso de pruebas gubernamental específico. Por ejemplo, un neumático con una clasificación de 150 se desgastará una vez y media (1 1/2) también en el curso gubernamental como un neumático con clasificación 100. Sin embargo, el rendimiento relativo de los neumáticos depende de las condiciones reales de su uso, y puede desviarse significativamente de la norma debido a variaciones en las costumbres de conducción, las prácticas de mantenimiento así como diferencias en las características y el clima de la carretera.

Tracción

Las clasificaciones de tracción, desde la más alta a la más baja, son AA, A, B y C. Estas clasificaciones representan la capacidad de los neumáticos de frenar en pavimento húmedo medida en condiciones controladas

en superficies de prueba gubernamentales específicas de asfalto y concreto. Un neumático con la clasificación C puede tener un escaso rendimiento de tracción.

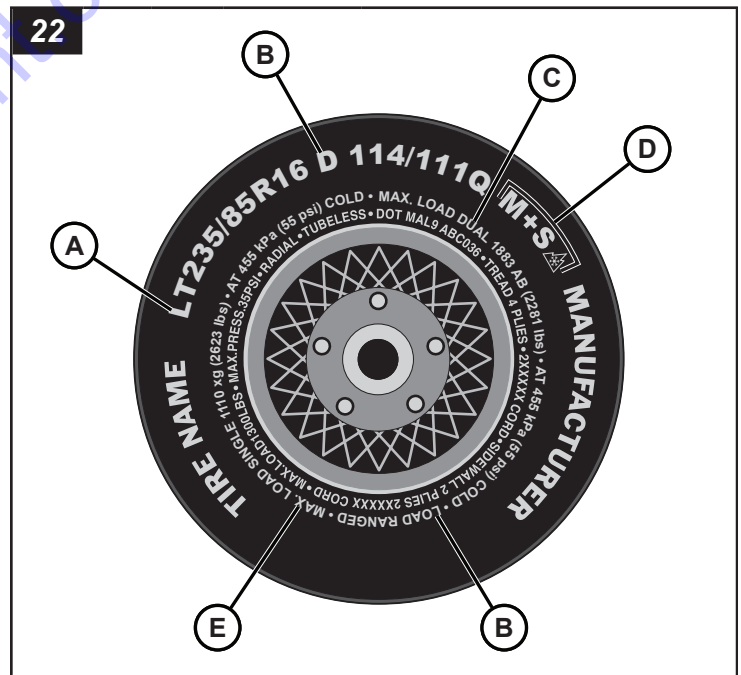
Advertencia: La clasificación de tracción asignada a este neumático está basada en pruebas de tracción de frenada directa, y no incluye aceleración, giro, acuaplaneo ni características de tracción máxima.

Temperatura

Las clasificaciones de temperatura son A (la más alta), B y C, que representan la resistencia del neumático a la generación de calor y su capacidad de disiparlo cuando se le hicieron pruebas en condiciones controladas en una rueda de prueba de laboratorio específica en interiores. Una alta temperatura constante puede destruir el material del neumático y reducir su vida útil, y la temperatura excesiva puede provocar una falla inesperada del neumático. La clasificación C corresponde a un nivel de rendimiento que todos los neumáticos para automóviles de pasajeros deben cumplir según el Estándar de Seguridad Motriz Federal n.º 109. Las clasificaciones B y A representan niveles más altos de rendimiento en la rueda de prueba en el laboratorio que los mínimos exigidos legalmente. Advertencia: La clasificación de temperatura se establece para un neumático apropiadamente inflado y no sobrecargado. La velocidad excesiva, la falta de inflado o una carga en exceso, cada una por separado o combinadas, pueden provocar acumulación de calor y la posible falla del neumático.

Información adicional sobre neumáticos para camiones livianos

Los neumáticos para camiones livianos cuentan con otras marcas además de las que se encuentran en los flancos de los neumáticos para vehículos de pasajeros. Consulte la Figura 37 y la información siguiente.



A: La "LT" indica que el neumático es para camiones livianos. Una "ST" es una indicación de que el neumático es únicamente para uso en remolque.

B: Rango de carga. Esta información identifica las capacidades de carga del neumático y sus límites de inflado.

C: Carga doble máxima. Esta información indica la carga máxima y la presión del neumático cuando se lo utiliza doble, es decir, cuando se colocan cuatro neumáticos en cada eje trasero (con un total de seis o más neumáticos en el vehículo).*

D: La combinación "M+S" o "M/S" indica que el neumático tiene cierta capacidad para uso en lodo y nieve. La mayoría de los neumáticos radiales tienen estas marcas, por lo que son algo aptos para usar en lodo y nieve.

E: Esta información indica la carga máxima y la presión del neumático cuando se lo utiliza solo.*

*Nota: La carga máxima se presenta en kilogramos y libras (kg/lb). La presión máxima del neumático se presenta en kilopascales y en libras por pulgada cuadrada (kPa/psi) cuando el neumático está en frío.

Consejos de seguridad de los neumáticos

Prevención de daños al neumático

- Disminuya la velocidad cuando debe pasar por un bache u otro objeto en la carretera.
- No suba los bordillos ni sobre objetos desconocidos mientras conduce, e intente no golpear el bordillo cuando estaciona.

Lista de verificación de seguridad

- Revise la presión de los neumáticos periódicamente (como mínimo, una vez por mes), incluido el neumático de reemplazo.
- Inspeccione los neumáticos para determinar que no tengan rajaduras, objetos extraños, patrones de desgaste desiguales en la banda de rodadura u otros signos de desgaste o trauma.
- Retire los pedazos de vidrio y los objetos extraños incrustados en la banda de rodadura.
- Asegúrese de que las válvulas de los neumáticos tengan las tapas.
- Revise la presión de los neumáticos antes de emprender un viaje largo.
- No sobrecargue el vehículo. Revise la placa de información de los neumáticos o el manual del propietario para conocer cuál es la carga máxima recomendada para el vehículo.

Anexo: Opciones de la unidad

Battery Disconnect

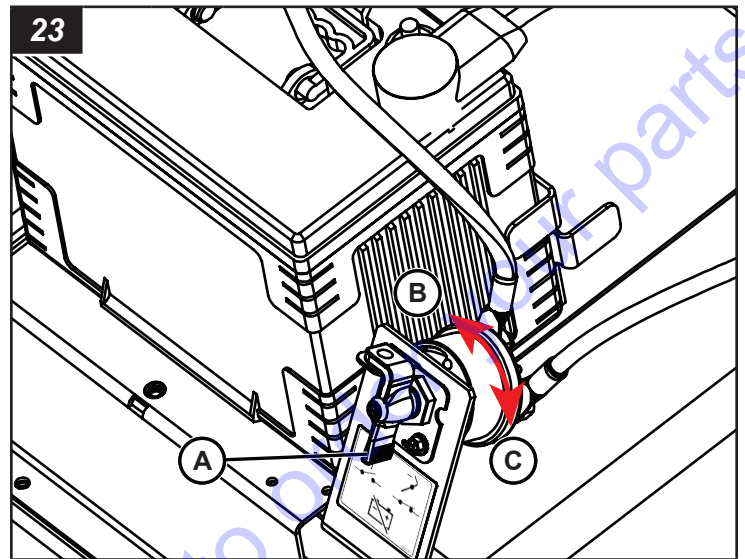
La desconexión opcional de la batería permite desconectarla de manera conveniente y sin necesidad de herramientas durante el almacenamiento de la unidad o mientras no esté en uso, o para evitar un empleo no autorizado.

Para desconectar la batería:

1. Gire el interruptor (A, Figura 23) a la posición de desconexión (B, Figura 23).
2. Para mayor seguridad, puede usar un candado (no se incluye).

Para conectar la batería:

1. Retire el candado (en caso de haber usado uno).
2. Gire el interruptor hasta la Posición de conexión (C, Figura 23).



Válvula de cierre de emergencia de entrada de aire del motor

La válvula de cierre de emergencia de entrada de aire opcional cierra automáticamente la válvula y apaga el motor cuando se presenta una situación de exceso de velocidad incontrolable.

Consulte el manual de programación de Pacbrake PH3 para obtener más información sobre el funcionamiento y la programación.

ADVERTENCIA

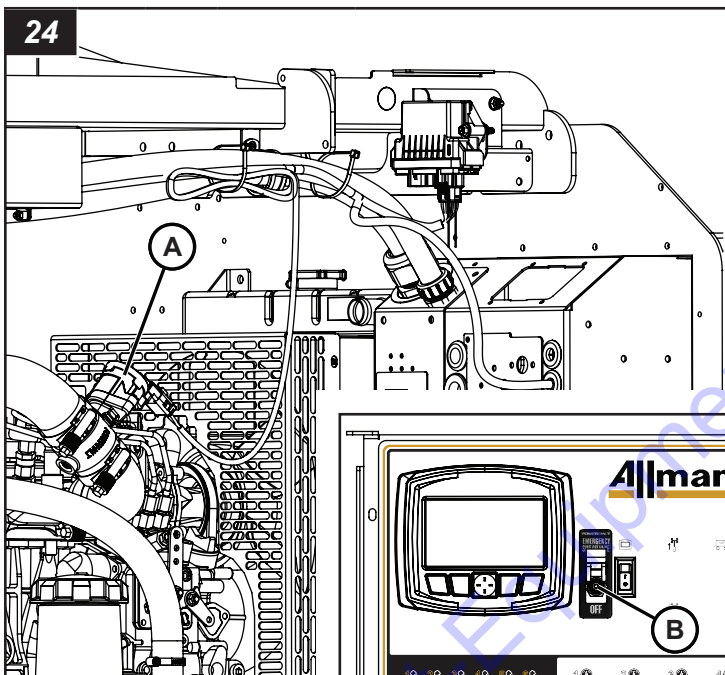
Si la válvula de cierre de emergencia de entrada de aire se disparó y apagó el motor, salga del área de inmediato y siga los procedimientos de seguridad de su lugar de trabajo. No reinicie ni arranque la máquina antes de identificar el origen del problema y de haber descubierto una solución.

Operación en modo automático

1. Si hay una situación de exceso de velocidad incontrolable en el motor, el controlador la detectará y automáticamente cerrará la válvula de cierre de emergencia de entrada de aire (A, Figura 24) y apagará el motor.
2. La válvula de cierre se mantendrá cerrada durante 15 segundos, y volverá automáticamente a la posición de abierta.
3. Identifique el origen del problema y corríjalo.
4. Restablezca el controlador Deep Sea al llevar el interruptor de ENCENDIDO/APAGADO en el panel de control del motor a la posición "APAGADA" y nuevamente a la posición "ENCENDIDA". Consulte la sección **Operación del motor** para conocer los procedimientos de operación.

Operación en modo de prueba/manual

1. Lleve el interruptor alternativo de la válvula de cierre de emergencia (B, Figura 24) a la posición “CERRADA” para cerrar la válvula.
2. Lleve el interruptor de la válvula de cierre de emergencia a la posición “ENCENDIDO” para restablecer la válvula en la posición de abierta.
3. *Modo manual:* Identifique el origen del problema y corríjalo.
Modo de prueba: Verifique la funcionalidad de la válvula.
4. Restablezca el controlador Deep Sea al llevar el interruptor de ENCENDIDO/APAGADO en el panel de control del motor a la posición “APAGADA” y nuevamente a la posición “ENCENDIDA”. Consulte la sección **Operación del motor** para conocer los procedimientos de operación.



Detención de emergencia

Algunas unidades cuentan con una parada de emergencia que apagará inmediatamente toda la unidad en caso de una emergencia.

Para activar:

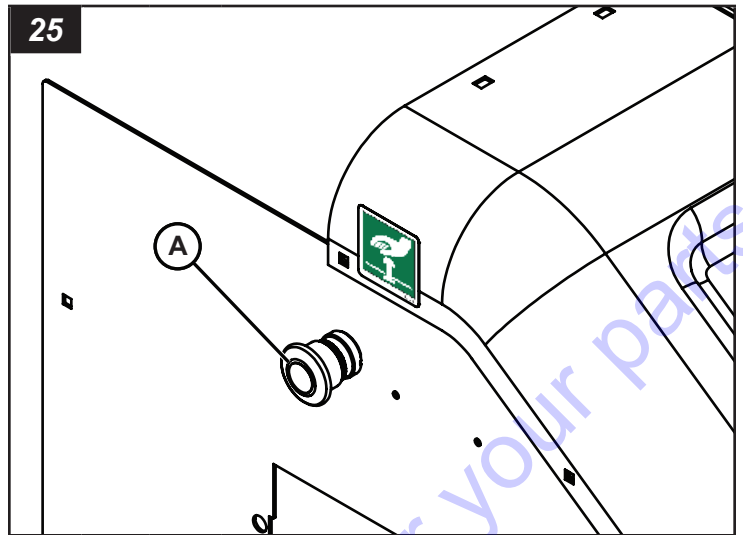
- Presione la parada de emergencia (A, Figura 25).

Para desactivar:

- Tire de la parada de emergencia.

Asegúrese de solucionar el problema que provocó la emergencia antes de volver a operar la unidad.

El uso innecesario o en exceso de la parada de emergencia puede dañar el motor. Durante la operación normal, nunca use la parada de emergencia para apagar la unidad. Consulte la sección **Para apagar el motor**.



Calentadores de bloque

Los calefactores del bloque del motor se suministran en unidades de torre de iluminación equipadas con paquetes opcionales para condiciones árticas. El calentador de bloque tipo tapón contra heladas se suministra de serie en el paquete para condiciones árticas, mientras que el calentador de bloque alimentado por diésel se suministra de serie en el paquete para condiciones árticas máximas.

Calentador de bloque tipo tapón contra heladas

El remolque de la torre de iluminación puede estar equipado con un calentador de bloque eléctrico opcional de 400 W, 3,3 A, 120 V y 60 Hz de tipo tapón contra heladas. Use un cable de extensión con conexión a tierra (de 3 clavijas) para conectar al enchufe del calentador de bloque a una fuente de energía eléctrica adecuada.

El calentador de bloque está ubicado en el lado derecho, cuando se observa desde el lado del ventilador.

Calentador de bloque alimentado por diésel

El remolque de la torre de iluminación puede estar equipado con un calentador de bloque alimentado por diésel opcional Webasto Thermo Top Evo. Este calentador de bloque quema combustible diésel que se enciende en un intercambiador de calor que a su vez calienta el refrigerante en el bloque del motor a través de un sistema de mangueras de calentador de bloque de refrigerante de entrada y salida.

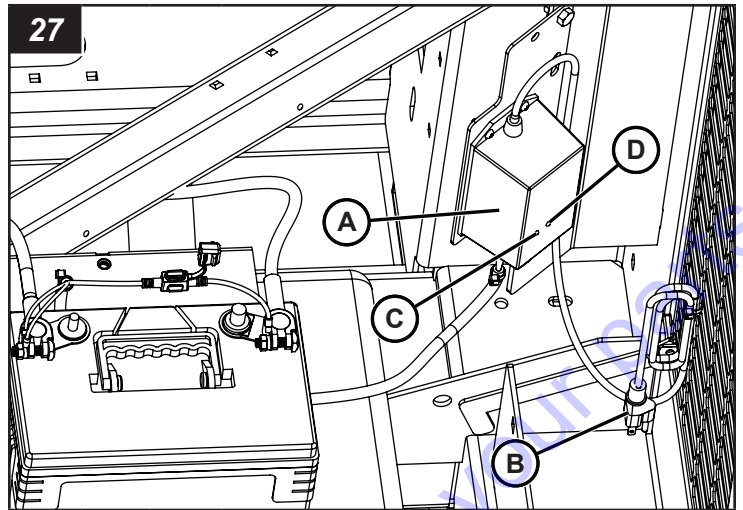
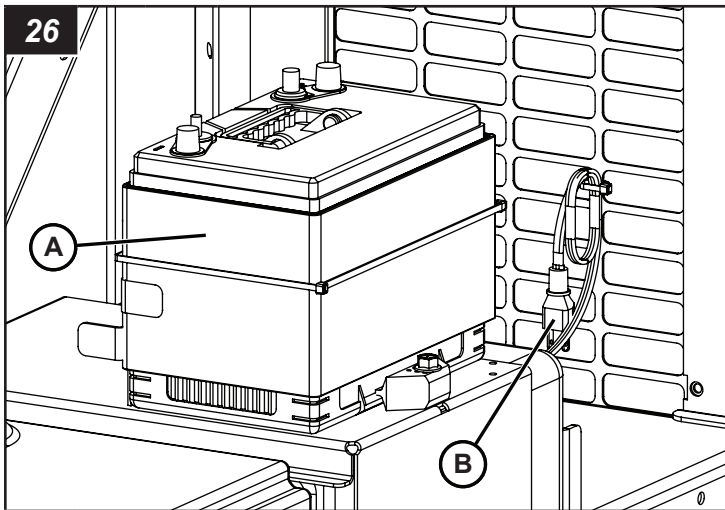
Los parámetros de temperatura y tiempo del calentador de bloque de combustión diésel son controlados por el controlador Deep Sea. Consulte los manuales del operador de Deep Sea para obtener más instrucciones sobre cómo configurar estos parámetros.

Calentador de batería

El calentador de batería (A, Figura 26) mantiene la batería del motor calentados mientras la unidad está almacenada o no se encuentra en uso.

El calentador de batería debe utilizarse siempre que la unidad esté almacenada o no se encuentre en uso a temperaturas inferiores a 32 °F (0 °C).

1. Enchufe el extremo macho del cable (B, Figura 26) de alimentación a un tomacorriente estándar de 120 V.
2. Desenchufe calentador de batería antes de poner la unidad en funcionamiento.



Cargador de batería

El cargador de batería (A, Figura 27) mantiene la batería cargada mientras la unidad está almacenada o no se encuentra en uso.

1. Enchufe el extremo macho del cable (B, Figura 27) de alimentación a un tomacorriente estándar de 120 V.
2. La luz roja (C, Figura 27) en el módulo del cargador de batería, ubicada en la sección delantera izquierda del compartimento del motor (consulte la Figura 34), indica que la batería se está cargando. La luz verde (D, Figura 27) indica la carga completa. (El cargador de batería puede permanecer enchufado después de que la batería alcance la carga completa sin dañar la batería).
3. Desenchufe el cargador de batería antes de poner la unidad en funcionamiento.

Produits couverts par le présent manuel

Les produits suivants sont couverts par le présent manuel :

Maxi-Power™ MP15XR

Table des matières:

Introduction.....	59
Sécurité.....	59
Caractéristiques et commandes.....	64
Liste de vérification avant utilisation.....	65
Transport.....	66
Fonctionnement.....	71
Entretien.....	73
Dépannage.....	76
Spécifications.....	76
Signaler les défauts de sécurité.....	77
Consignes de sécurité relatives aux pneus.....	78
Addenda – Options des unités.....	85



AVERTISSEMENT

L'inspiration de gaz d'échappement du moteur vous expose à des produits chimiques connus selon l'État de Californie pour causer le cancer, des anomalies congénitales ou d'autres effets nuisibles à la reproduction.

- Toujours démarrer et faire fonctionner le moteur dans un endroit bien ventilé.
- Si le moteur est utilisé dans un espace confiné, ventiler les gaz d'échappement à l'extérieur.
- Ne pas modifier ni altérer le système d'échappement.
- Ne pas mettre le moteur au ralenti sauf en cas de nécessité.

Pour obtenir de plus amples renseignements, consultez le site www.P65Warnings.ca.gov/diesel.

Les images contenues dans ce manuel sont offertes aux fins d'illustration seulement et peuvent être différentes de votre modèle.

Toute référence dans ce manuel au côté droit et au côté gauche se détermine en regardant la remorque à partir de l'arrière.

Si vous êtes incertain de toute information contenue dans le manuel, contacter le service à la clientèle d'Allmand au 1-800-562-1373, ou nous contacter par l'entremise de notre site Web à www.allmand.com.

Conservez ces instructions originales comme référence future.

Sécurité

Définitions sur la sécurité

Pour votre sécurité et celle des autres, en plus de protéger la performance de l'équipement, suivre les précautions énumérées dans le manuel avant l'utilisation, pendant l'utilisation et pendant les procédures d'entretien périodiques.



Le symbole d'alerte de sécurité indique un risque de blessure corporelle.



DANGER

Indique une situation dangereuse qui, si non évitée, causera la mort ou des blessures graves.



AVERTISSEMENT

Indique une situation dangereuse qui, si non évitée, pourrait causer la mort ou des blessures graves.



ATTENTION

Indique une situation dangereuse qui, si non évitée, pourrait causer des blessures mineures ou modérées.

AVIS

Informations considérées comme importantes, mais pas liées à des risques.

Mesures de sécurité

La section suivante contient des mesures et des directives de sécurité générales qui doivent être obéies afin de réduire tout risque à la sécurité personnelle. Des mesures de sécurité particulières sont listées dans certaines procédures pertinentes. Lire et comprendre toutes les mesures de sécurité avant de faire fonctionner ou d'effectuer des réparations ou de l'entretien.

Ce manuel fournit les instructions nécessaires pour Allmand® Maxi-Power™ MP15XR Portable Generator.

L'information dans ce manuel est en vigueur au moment de l'impression. Allmand Bros Inc. peut changer le contenu sans préavis ni obligation.

Introduction

À propos de ce manuel

PRENEZ LE TEMPS DE LIRE ATTENTIVEMENT CE MANUEL



DANGER

Risque d'électrocution

- Une haute tension est présente lorsque le moteur est en marche. Ne jamais tenter d'effectuer l'entretien des composants électriques lorsque le moteur est en marche.
- Ne pas utiliser l'appareil si l'isolation sur le cordon électrique ou tout autre câblage électrique est coupée, usée ou mise à nu. Réparer ou remplacer le câblage endommagé avant de démarrer le moteur.



AVERTISSEMENT

Risque de fonctionnement non sécuritaire

- Ne jamais laisser quiconque installer ou faire fonctionner l'équipement sans formation adéquate.
- Lire et comprendre ce manuel d'utilisation, le manuel d'utilisation du moteur et tout autre manuel des composants avant d'utiliser ou d'entretenir l'équipement afin de s'assurer que les pratiques exemplaires de sécurité et les procédures d'entretien sont suivies.
- Les enseignes et les autocollants de sécurité sont des rappels d'utiliser des techniques d'utilisation et d'entretien sûres.



AVERTISSEMENT

Risque de chute

- Ne jamais transporter des passagers sur l'équipement.



AVERTISSEMENT

Risque lié aux modifications

- Ne jamais modifier l'équipement sans le consentement écrit du fabricant. Toute modification pourrait affecter le fonctionnement sécuritaire de l'équipement.



AVERTISSEMENT

Risque d'exposition

- Toujours porter de l'équipement de protection individuelle, incluant les vêtements appropriés, les gants, chaussures de travail, et une protection des yeux et de l'ouïe, selon ce qui est exigé par la tâche à effectuer.



AVERTISSEMENT



Risque d'incendie et d'explosion

Les batteries dégagent des gaz explosifs pendant le chargement. Des étincelles pourraient causer des explosions, entraînant la mort ou des blessures graves.

Risque de brûlure

Les batteries contiennent de l'acide, qui est très caustique. Tout contact avec les composants de la batterie peut causer de graves brûlures chimiques.

Risque de choc électrique

Les batteries présentent un risque de décharge électrique et de haute tension lors d'un court-circuit.

- Toujours débrancher le câble négatif (-) de la batterie avant d'effectuer le service de l'équipement.
- NE PAS jeter la batterie au feu. Recycler la batterie.
- NE PAS permettre de flamme nue, d'étincelle, de chaleur, de tison de cigarette au cours et plusieurs minutes après le chargement de la batterie.
- NE PAS tenter d'ouvrir ou de mutiler la batterie.
- NE PAS charger une batterie gelée. Toujours réchauffer lentement la batterie à la température ambiante avant de la charger.
- Porter des gants de protection ainsi qu'un tablier, des bottes et des gants en caoutchouc.
- Enlever vos montres, bagues et autres objets métalliques.
- Utiliser des outils dont les poignées sont isolées.



AVERTISSEMENT



Risque d'incendie et d'explosion

- Le carburant diesel est inflammable et explosif sous certaines conditions.
- Ne jamais utiliser un chiffon industriel pour ramasser le carburant.
- Essuyer immédiatement tout déversement.
- Ne jamais faire le plein si le moteur est en marche.
- Ranger tous les contenants qui contiennent du carburant dans un endroit bien ventilé, loin de tout combustible et de toute source d'allumage.



AVERTISSEMENT

Risque lié à l'alcool et aux drogues

- Ne pas utiliser l'appareil sous l'emprise de l'alcool ou de drogues, ou en étant malade.



AVERTISSEMENT

Risque d'emmêlement/de rupture

- Toujours arrêter le moteur avant de commencer un entretien.
- Si le moteur doit être réparé pendant qu'il tourne, retirer tous les bijoux, attacher les cheveux longs et garder les mains, toute partie du corps et tout vêtement éloigné des pièces mobiles et rotatives.
- S'assurer que tous les protecteurs et les couvercles sont fixés correctement à l'équipement avant de démarrer le moteur. Ne pas démarrer le moteur si les protecteurs et les couvercles ne sont pas installés correctement sur l'équipement.
- Attacher l'étiquette « Ne pas faire fonctionner » près de la clé l'interrupteur de contact pendant l'entretien d'un équipement.



AVERTISSEMENT

Risque lié aux objets propulsés

- Toujours porter une protection des yeux lors du nettoyage de l'équipement avec de l'air comprimé ou de l'eau à haute pression. La poussière, les débris propulsés, l'air comprimé, l'eau ou la vapeur à haute pression peuvent endommager vos yeux.



AVERTISSEMENT

Risque lié au liquide de refroidissement

- Porter une protection des yeux et des gants en caoutchouc lors de la manipulation du liquide de refroidissement du moteur. Si un contact avec les yeux ou la peau se produit, rincer les yeux et laver immédiatement avec de l'eau propre.



AVERTISSEMENT

Risque de brûlure

- L'ouverture du bouchon sur un radiateur chaud pourrait provoquer la mort ou des blessures graves. Laisser le radiateur refroidir avant de dévisser le bouchon.



AVERTISSEMENT

Danger de brûlure

- Garder les mains et les autres parties du corps loin des surfaces chaudes.
- Manipuler les composants chauds avec des gants résistants à la chaleur.

AVIS

- Toute pièce déclarée défectueuse à la suite d'une inspection ou toute pièce dont la valeur mesurée ne satisfait pas à la norme ou à la limite DOIT être remplacée.

- Toujours serrer les composants au couple indiqué. Les pièces desserrées peuvent causer des dommages à l'équipement et le faire fonctionner incorrectement.
- Suivre les directives d'Environmental Protection Agency (EPA), Environment Canada (Environment Canada, EC) ou d'autres agences gouvernementales pour l'élimination appropriée des matières dangereuses comme l'huile à moteur, le carburant diesel et le liquide de refroidissement du moteur.
- Utiliser uniquement les pièces de rechange indiquées. D'autres pièces de rechange peuvent affecter la couverture de garantie.
- Éliminer toute saleté et tout débris accumulé dans la carrosserie de l'équipement et de ses composants avant d'inspecter l'équipement ou d'effectuer un entretien ou des réparations. Faire fonctionner l'équipement avec de la saleté et des débris accumulés causera une usure prématurée des composants de l'équipement.
- Ne jamais disposer des matières dangereuses en les jetant dans un égout, sur le sol, ou dans les eaux souterraines ou les voies d'eau.
- Récupérer tous outils et toutes les pièces qui peuvent être tombés à l'intérieur de l'équipement pour éviter le mauvais fonctionnement de ce dernier.
- Si un témoin s'allume pendant l'utilisation de l'équipement, arrêter immédiatement le moteur. Déterminer la cause et réparer le problème avant de continuer à faire fonctionner l'équipement.

L'utilisation ou le fonctionnement du moteur sur des terrains forestiers, broussailleux ou herbeux constitue une violation de la Section 4442 du Code des ressources publiques de Californie (California Public Resource Code), à moins que le système d'échappement ne soit équipé d'un pare-étincelles, comme le définit la section 4442, maintenu en bon état de marche. D'autres États ou juridictions fédérales peuvent avoir des lois similaires; consulter le Règlement fédéral 36 CFR, section 261.52.

Autocollants de sécurité

Avant de faire fonctionner votre appareil, veuillez lire et comprendre les autocollants de sécurité suivants. Les mises en garde, les avertissements et les directives sont là pour votre sécurité. Pour éviter des blessures corporelles ou des dommages à l'appareil, il faut comprendre et suivre tous les autocollants.


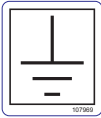

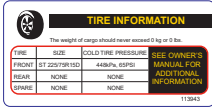

Empêcher les autocollants de devenir sales ou de se déchirer et les remplacer s'ils sont perdus ou endommagés. De plus, si une pièce ayant un autocollant a besoin d'être remplacée, veiller à commander la nouvelle pièce et l'autocollant en même temps.

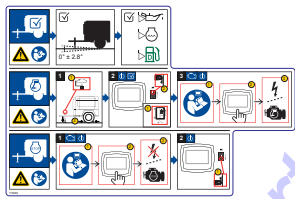
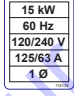

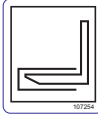

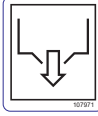
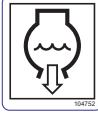



Si un autocollant de sécurité ou de directive est usé ou endommagé et n'est plus lisible, commander des autocollants de remplacement auprès de votre concessionnaire.

Modèles domestiques	
<p>DANGER – Le fait d’entrer dans le compartiment électrique tandis que l’équipement est utilisé peut entraîner la mort ou des blessures graves. Débrancher l’équipement avant d’entrer dans le compartiment électrique.</p> <p>N° de pièce 118074</p>	
<p>AVERTISSEMENT – L’ouverture du bouchon sur un radiateur chaud pourrait causer la mort ou des blessures graves. Laisser le radiateur refroidir avant de dévisser le bouchon.</p> <p>N° de pièce 118651</p>	
<p>Renseignements sur la mise à la terre de la machine/cosse de mise à la terre</p> <p>N° de pièce 122470</p>	
<p>Numéro de dossier CSA</p> <p>N° de pièce 110361</p>	
<p>AVERTISSEMENT – L’omission de respecter les avertissements, les instructions et le manuel d’utilisation pourrait causer la mort ou des blessures graves. Lire et suivre le manuel d’utilisation avant de faire fonctionner cet équipement ou d’en faire l’entretien.</p> <p>N° de pièce 122467-1</p>	
<p>AVERTISSEMENT – Le démarrage inattendu du moteur pourrait provoquer la mort ou des blessures graves. Lire et suivre le manuel d’utilisation du contrôleur électronique avant de faire fonctionner ou de faire l’entretien de cet équipement.</p> <p>N° de pièce 122467-2</p>	
<p>AVERTISSEMENT – Tout contact avec les pièces et les gaz d’échappement chauds pourrait causer la mort ou des blessures graves. Éviter les gaz d’échappement chauds. Tenir les mains et les produits inflammables à l’écart des pièces chaudes.</p> <p>N° de pièce 122467-3</p>	
<p>AVERTISSEMENT – Le contact avec des pièces en mouvement pourrait causer la mort ou des blessures graves. Se tenir à l’écart des pièces en mouvement.</p> <p>N° de pièce 122467-4</p>	
<p>AVERTISSEMENT – L’ouverture du bouchon sur un radiateur chaud pourrait causer la mort ou des blessures graves. Laisser le radiateur refroidir avant de dévisser le bouchon.</p> <p>N° de pièce 122467-5</p>	
<p>AVERTISSEMENT – Toute exposition à des produits corrosifs pourrait causer la mort ou des blessures graves. Porter des gants de protection en manipulant la batterie.</p> <p>N° de pièce 122467-6</p>	

Modèles domestiques	
<p>AVERTISSEMENT – Les articles de fumeur, les flammes nues ou d’autres formes d’allumage près de la batterie pourraient causer une explosion, causant la mort ou des blessures graves. Tenir les articles de fumeur, les flammes nues ou les autres formes d’allumage à l’écart de la batterie.</p> <p>N° de pièce 122467-7</p>	
<p>AVERTISSEMENT – Une vitesse de remorquage excessive pourrait causer la mort ou des blessures graves. Ne pas dépasser 65 mi/h (105 km/h) lors du remorquage.</p> <p>N° de pièce 118108</p>	
<p>AVERTISSEMENT – L’omission de respecter les avertissements, les instructions et le manuel d’utilisation pourrait causer la mort ou des blessures graves. Lire et suivre le manuel d’utilisation avant de faire fonctionner cet équipement ou d’en faire l’entretien.</p> <p>AVERTISSEMENT – L’échappement du moteur contient du monoxyde de carbone, un gaz toxique qui pourrait causer la mort ou des blessures graves. Faire fonctionner l’équipement loin des fenêtres, des portes et des événements. Ne pas faire fonctionner à l’intérieur ni dans un espace partiellement fermé.</p> <p>AVERTISSEMENT – L’inspiration de gaz d’échappement du moteur vous expose à des produits chimiques connus selon l’État de Californie pour causer le cancer, des anomalies congénitales ou d’autres effets nuisibles à la reproduction.</p> <ul style="list-style-type: none"> Toujours démarrer et faire fonctionner le moteur dans un endroit bien ventilé. Si le moteur est utilisé dans un espace confiné, ventiler les gaz d’échappement à l’extérieur. Ne pas modifier ni altérer le système d’échappement. Ne pas mettre le moteur au ralenti sauf en cas de nécessité. <p>www.P65Warnings.ca.gov/diesel</p> <p>N° de pièce 122985</p>	




Modèles internationaux	
<p>DANGER – Le fait d’entrer dans le compartiment électrique tandis que l’équipement est utilisé peut entraîner la mort ou des blessures graves. Débrancher l’équipement avant d’entrer dans le compartiment électrique.</p> <p>N° de pièce 104880</p>	
<p>AVERTISSEMENT – L’ouverture du bouchon sur un radiateur chaud pourrait causer la mort ou des blessures graves. Laisser le radiateur refroidir avant de dévisser le bouchon.</p> <p>N° de pièce 122091</p>	

Modèles internationaux	
<p>AVERTISSEMENT – L'échappement du moteur contient du monoxyde de carbone, un gaz toxique qui pourrait causer la mort ou des graves blessures. Faire fonctionner l'équipement loin des fenêtres, des portes et des événements. Ne pas faire fonctionner à l'intérieur ni dans un espace partiellement fermé.</p> <p>N° de pièce 113941</p>	
<p>Cosse de mise à la masse</p> <p>N° de pièce 107969</p>	
<p>AVERTISSEMENT – Démarrage de moteur automatique. Le démarrage inattendu du moteur pourrait provoquer la mort ou des blessures graves. Lire et suivre le manuel d'utilisation du contrôleur électronique avant de faire fonctionner ou de faire l'entretien de cet équipement.</p> <p>N° de pièce 107978</p>	
<p>AVERTISSEMENT – Une vitesse de remorquage excessive pourrait causer la mort ou des blessures graves. Ne pas dépasser 65 mi/h (105 km/h) lors du remorquage.</p> <p>N° de pièce 118110</p>	
<p>AVERTISSEMENT – Le contact avec des pièces en mouvement pourrait causer la mort ou des blessures graves. Se tenir à l'écart des pièces en mouvement.</p> <p>AVERTISSEMENT – L'ouverture du bouchon sur un radiateur chaud pourrait causer la mort ou des blessures graves. Laisser le radiateur refroidir avant de dévisser le bouchon.</p> <p>AVERTISSEMENT – Les articles de fumeur, les flammes nues ou d'autres formes d'allumage près de la batterie pourraient causer une explosion, causant la mort ou des blessures graves. Tenir les articles de fumeur, les flammes nues ou les autres formes d'allumage à l'écart de la batterie.</p> <p>AVERTISSEMENT – Toute exposition à des produits corrosifs pourrait causer la mort ou des blessures graves. Porter des gants de protection en manipulant la batterie.</p> <p>N° de pièce 110310</p>	
<p>Information sur les pneus</p> <p>N° de pièce 113943</p>	
<p>Arrêt d'urgence</p> <p>N° de pièce 105567</p>	

Tous les modèles	
<p>Instructions de fonctionnement</p> <p>N° de pièce 118363</p>	
<p>Renseignements électriques</p> <p>N° de pièce 112130</p>	
<p>Point de fixation</p> <p>N° de pièce 109005</p>	
<p>Passages de fourches</p> <p>N° de pièce 107254</p>	
<p>Vidange d'huile</p> <p>N° de pièce 107973</p>	
<p>Drain de confinement du liquide</p> <p>N° de pièce 107971</p>	
<p>Vidange de liquide de refroidissement</p> <p>N° de pièce 104752</p>	
<p>Poids de levage</p> <p>N° de pièce 122480</p>	
<p>Numéro de série de la remorque (NIV)</p> <p>N° de pièce 119958</p>	
<p>Poids de levage</p> <p>N° de pièce 122480</p>	

Icônes de fonctionnement

Le tableau ci-dessous contient des icônes de fonctionnement qui peuvent se retrouver sur l'unité, ainsi que la signification de chaque icône.

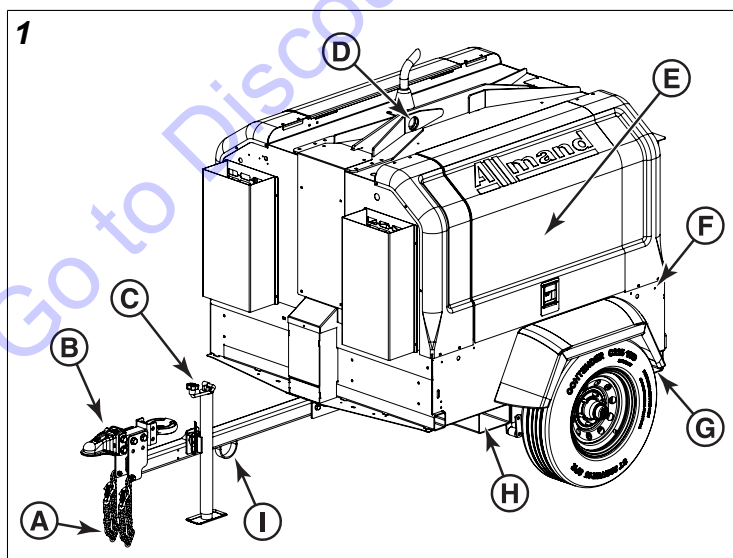
Icône	Signification	Icône	Signification
	Sous tension		Éclairage de travail
○	Hors tension		Vidange de l'huile moteur
	Arrêt du moteur		Vidange de liquide de refroidissement du moteur
	Moteur en marche		Drain de confinement du liquide
	et les commandes de démarrage du moteur		Disjoncteur
	Préchauffage du moteur		Déconnexion du disjoncteur
	Compteur d'heures		Mise à la masse
	Éclairage intérieur de la remorque		

Caractéristiques et commandes

La Allmand® Maxi-Power™ MP15XR Portable Generator est destinée à être utilisée comme génératrice stationnaire.

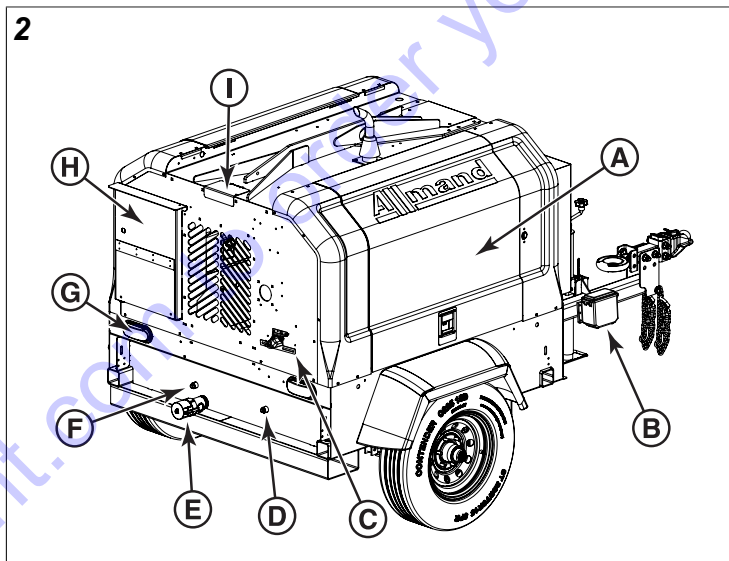
Identifier les caractéristiques et contrôles de la machine en comparant les Figures 1 à 3 avec les tableaux suivants. Consulter **Transport** et **Utilisation** pour des informations détaillées sur chaque caractéristique et commande.

Avant



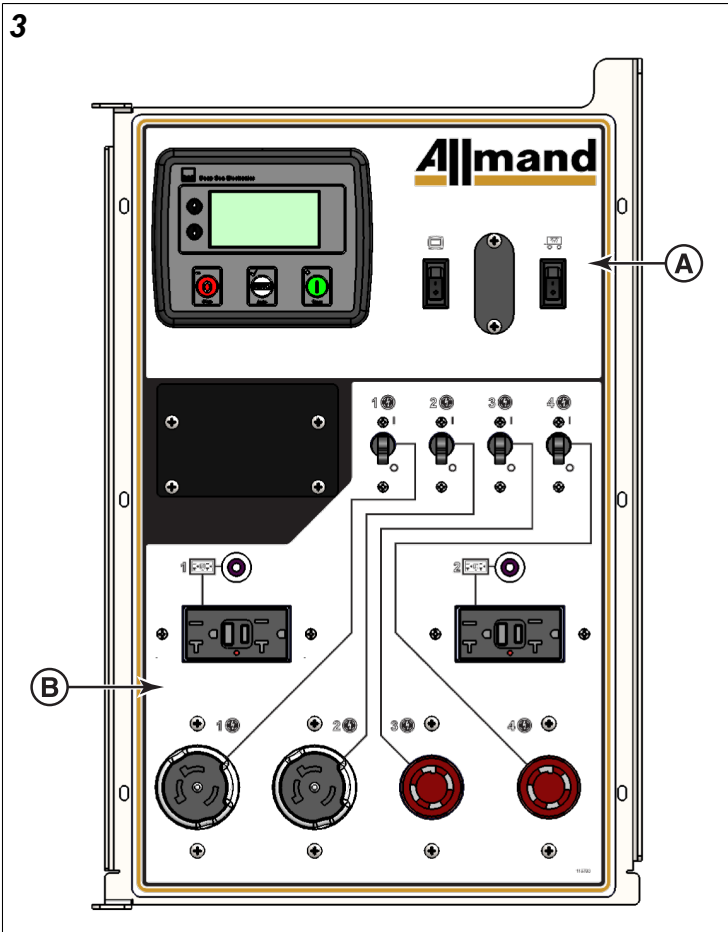
Réf.	Description
A	Chaînes de sécurité (2)
B	Anneau lunette pour bride de raccordement de la remorque
C	Vérin de flèche
D	Œillet de levage
E	Porte d'accès du compartiment moteur
F	Patte de mise à la masse
G	Passage de fourche arrière/Point de fixation (chaque côté)
H	Passage de fourche (chaque côté)
I	Boucle d'amarrage avant

Arrière



Réf.	Description
A	Porte d'accès du compartiment moteur
B	Trousse de sécurité
C	Support d'immatriculation/Feu de gabarit
D	Vidange de l'huile à moteur
E	Drain de confinement du liquide
F	Vidange de liquide de refroidissement du moteur
G	Feux arrière (2)
H	Porte d'accès au tableau de commande
I	Porte d'accès au radiateur

Tableau de commande



Réf.	Description
A	Panneau du moteur
B	Panneau de prises auxiliaire

Liste de vérification avant utilisation

Effectuer les vérifications suivantes avant de transporter et d'utiliser l'appareil ainsi que lors de l'entretien général.



AVERTISSEMENT

Risque de fonctionnement non sécuritaire

- Utiliser ou transporter la machine avec des pièces usées, endommagées ou manquantes pourrait provoquer la mort ou des blessures graves. Toujours remplacer promptement toutes pièces usées, endommagées ou manquantes. Ne pas transporter ni faire fonctionner la machine tant que les pièces usées, endommagées ou manquantes n'ont pas été remplacées, et que le bon fonctionnement de la machine n'ait pas été vérifié.

Remarque :

Nous encourageons l'utilisation de pièces de remplacement Allmand autorisées. La garantie ne couvre pas les dommages ou les problèmes de performance causés par l'utilisation de pièces non autorisées.

- Vérifier que tous les autocollants de sécurité et d'utilisation sont présents et lisibles. Consulter la section **Sécurité – Autocollants de sécurité**.
- Vérifier que tous les manuels d'utilisation (produit, moteur, génératrice, etc.) sont avec l'appareil.
- Vérifier si les composants suivants sont usés et endommagés et s'ils fonctionnent bien :
 - Vérin de flèche
 - Vérifier si l'appareil est rouillé ou endommagé. Réparer ou remplacer au besoin.
 - Vérifier le bon fonctionnement. Consulter **Transport – Utilisation du vérin de flèche**.
 - Assemblage d'attelage (attelage de la remorque/ anneau lunette)
 - Vérifier si l'appareil est rouillé ou endommagé. Réparer ou remplacer au besoin.
 - Vérifier le bon fonctionnement. Consulter la section **Transport – Couplage et découplage de l'attelage de la remorque**.
 - Vérifier que la quincaillerie d'assemblage est bien serrée. Serrer au besoin.
 - Chaînes de sécurité
 - Vérifier si l'appareil est rouillé ou endommagé. Réparer ou remplacer au besoin.
 - Vérifier que la quincaillerie d'assemblage est bien serrée. Serrer au besoin.
 - Câble de l'éclairage de la remorque
 - Vérifier si les câbles sont coupés, effilochés ou dénudés. Réparer ou remplacer au besoin.
 - Vérifier si le connecteur est endommagé. Réparer ou remplacer au besoin.
 - Trousse de sécurité
 - Vérifier si les fils ou les câbles de sécurité sont brisés ou effilochés.
 - Vérifier l'autonomie de la batterie.
 - Pneus
 - Vérifier si les pneus sont usés, coupés, fissurés, etc. Remplacer si nécessaire.
 - Vérifier et ajuster la pression de gonflage. Consulter **Spécifications** pour la pression de gonflage adéquate.
 - Freins
 - Vérifier si les freins sont usés et s'ils fonctionnent bien. Réparer au besoin.
 - Essieu et châssis
 - Vérifier si l'appareil est rouillé ou endommagé. Réparer au besoin.
 - Câblage électrique
 - Vérifier si le câblage est coupé, usé ou dénudé. Réparer au besoin.

AVERTISSEMENT

Risque d'électrocution

- L'utilisation de l'appareil avec un câblage coupé, usé ou dénudé pourrait provoquer la mort ou des blessures graves. Réparer ou remplacer tout câblage endommagé avant d'utiliser la tour d'éclairage.

j. Moteur

- Vérifier la présence de fuites et d'autres signes d'usure ou de dommages. Réparer au besoin.
- Vérifier que le filtre à air est fermement attaché et que les joints du filtre à air et les colliers de serrage sont fixés correctement. Vérifier l'élément du filtre à air. Remplacer si nécessaire.

4. Vérifier et ajuster les niveaux de liquide.

a. Huile à moteur

- Consulter le manuel d'utilisation du moteur pour les recommandations sur l'huile, la capacité du réservoir et les procédures.

AVIS

L'utilisation du moteur sans huile provoquera des dommages à ce dernier.

b. Liquide de refroidissement du moteur

- Consulter le manuel d'utilisation du moteur pour les recommandations sur le liquide de refroidissement, la capacité du réservoir et les procédures.

AVIS

L'utilisation du moteur sans liquide de refroidissement provoquera des dommages à ce dernier.

c. Carburant

- Consulter la section **Utilisation – Ravitaillement de l'appareil** pour l'emplacement du réservoir de carburant, sa capacité, et les procédures de ravitaillement.

Transport

AVERTISSEMENT

Risque de fonctionnement non sécuritaire

- L'utilisation de l'équipement sans une formation adéquate pourrait provoquer la mort ou des blessures graves. Ne jamais laisser quiconque utiliser l'équipement sans formation adéquate.

Avant le transport, lire **Sécurité**.

Préparation pour la livraison au chantier

Préparer l'appareil pour la livraison au chantier, surtout s'il a été entreposé ou mis au ralenti pendant une période prolongée.

AVERTISSEMENT

Risque de fonctionnement non sécuritaire

- L'utilisation ou le transport d'une machine avec des pièces usées, endommagées ou manquantes peut causer la mort ou des blessures graves. Toujours remplacer promptement toutes pièces usées, endommagées ou manquantes. Ne pas utiliser ni transporter cette machine tant que les pièces usées, endommagées ou manquantes n'ont pas été remplacées, et que le bon fonctionnement de la machine n'ait été vérifié.

1. Effectuer toutes les vérifications avant utilisation. Voir **Liste de vérification avant utilisation**.
2. Faire passer le moteur par un cycle de démarrage et d'arrêt pour en vérifier le fonctionnement. Consulter la section **Fonctionnement – Faire fonctionner le moteur**. Consulter aussi le mode d'emploi du moteur.

Préparation pour le transport

1. Arrêter le moteur. Consulter la section **Fonctionnement – Faire fonctionner le moteur**. Consulter aussi le manuel d'utilisation du moteur.
2. Fermer et verrouiller toutes les portes d'accès.

Remorquage

La vitesse maximale sur la route est de 65 mi/h (105 km/h). La vitesse maximale hors route est de 20 mi/h (32 km/h). Ne pas dépasser ces limites de vitesse.

AVERTISSEMENT

Risque de fonctionnement non sécuritaire

- Tirer la remorque sur la route à des vitesses dépassant 65 mi/h (105 km/h) pourrait provoquer la mort ou des blessures graves. Ne pas tirer la remorque sur la route à des vitesses dépassant 65 mi/h (105 km/h).

Exigences en matière de véhicule remorqueur et d'attelage

1. Vérifier le poids nominal brut du véhicule (PNBV) de la remorque. Consulter **Spécifications**.
2. Vérifier la capacité nominale de remorquage du véhicule remorqueur et de l'attelage. Les deux doivent satisfaire ou dépasser le (PNBV) de la remorque.

Remarque : Vérifier le manuel du propriétaire du véhicule ou de l'attelage pour la capacité nominale de remorquage.

AVERTISSEMENT

Risque lié au remorquage

- L'utilisation d'un véhicule remorqueur ou d'un attelage ayant une capacité nominale de remorquage inférieure au PNBV de la remorque pourrait provoquer la mort ou des blessures graves. Utiliser seulement un véhicule remorqueur et un attelage dont la capacité nominale de remorquage satisfait ou dépasse le PNBV de la remorque.

Vérifier le type d'attelage du véhicule remorqueur

La remorque est conçue pour les types d'attelage de véhicule remorqueur offerts suivants :

- Attelage avec boule de 2 po
- Attelage avec crochet
- Attelage avec boule de 2-5/16 po
- Attelage Bulldog de 2 po

Veiller à ce que le véhicule remorqueur soit équipé d'un de ces types d'attelage. Installer au besoin.

AVERTISSEMENT

Risque de fonctionnement non sécuritaire

- L'omission d'utiliser un attelage de véhicule remorqueur qui est compatible avec l'assemblage de l'attelage de la remorque pourrait provoquer la mort ou des blessures graves. Utiliser seulement un attelage de véhicule remorqueur qui est compatible avec l'assemblage de l'attelage de la remorque.

Inverser l'assemblage de l'attelage de la remorque

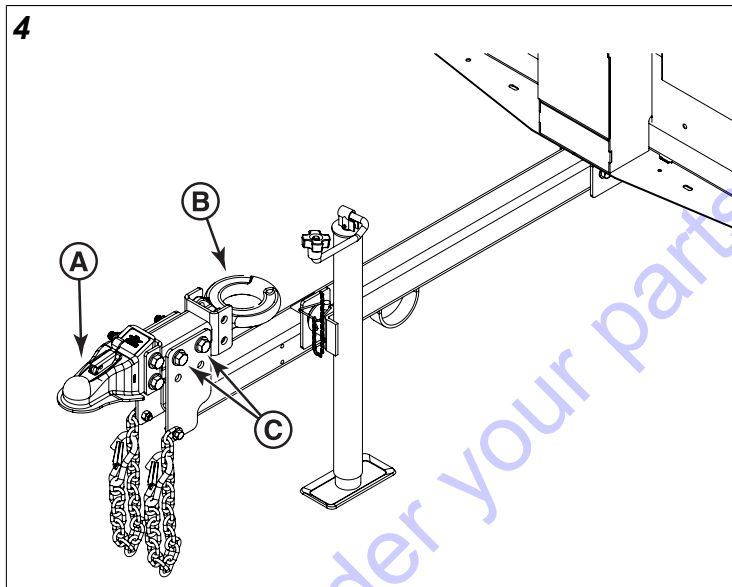
L'assemblage de l'attelage de la remorque peut être inversé. Utiliser l'attelage de la remorque (A, Figure 4) pour les attelages avec boule ou l'anneau lunette (B) pour les attelages avec crochet. Pour inverser l'assemblage de l'attelage de la remorque :

1. Retirer la quincaillerie de montage (C, Figure 4).
2. Inverser l'assemblage de l'attelage de la remorque.
Remarque : Utiliser l'ensemble de trous de montage sur la flèche de la remorque pour maintenir cette dernière de niveau le mieux possible lorsqu'elle est raccordée au véhicule remorqueur.
3. Réinstaller la quincaillerie. Serrer fermement.

AVERTISSEMENT

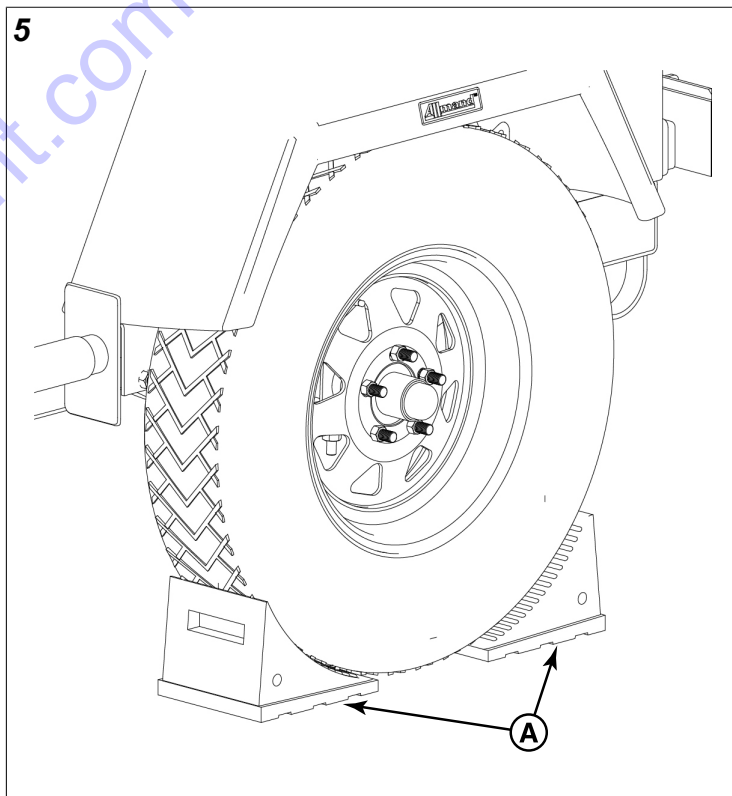
Risque de fonctionnement non sécuritaire

- L'omission d'installer correctement l'assemblage de l'attelage de la remorque pourrait provoquer la mort ou des blessures graves. Installer correctement l'assemblage de l'attelage de la remorque et serrer la quincaillerie fermement.



Raccorder la remorque au véhicule remorqueur

1. Positionner une cale de roue (non fournie) fermement contre l'avant et l'arrière des roues (A, Figure 5) de chaque côté de la remorque.



2. Utiliser le vérin de flèche pour soulever la flèche de la remorque. Consulter **Transport – Utilisation du vérin de flèche**.
3. Placer la boule d'attelage du véhicule remorqueur sous l'attelage de la remorque.
4. Raccorder l'attelage de la remorque à celui du véhicule remorqueur. Consulter **Transport – Couplage et découplage de l'attelage de la remorque**.
5. Raccorder les chaînes de sécurité.

AVERTISSEMENT

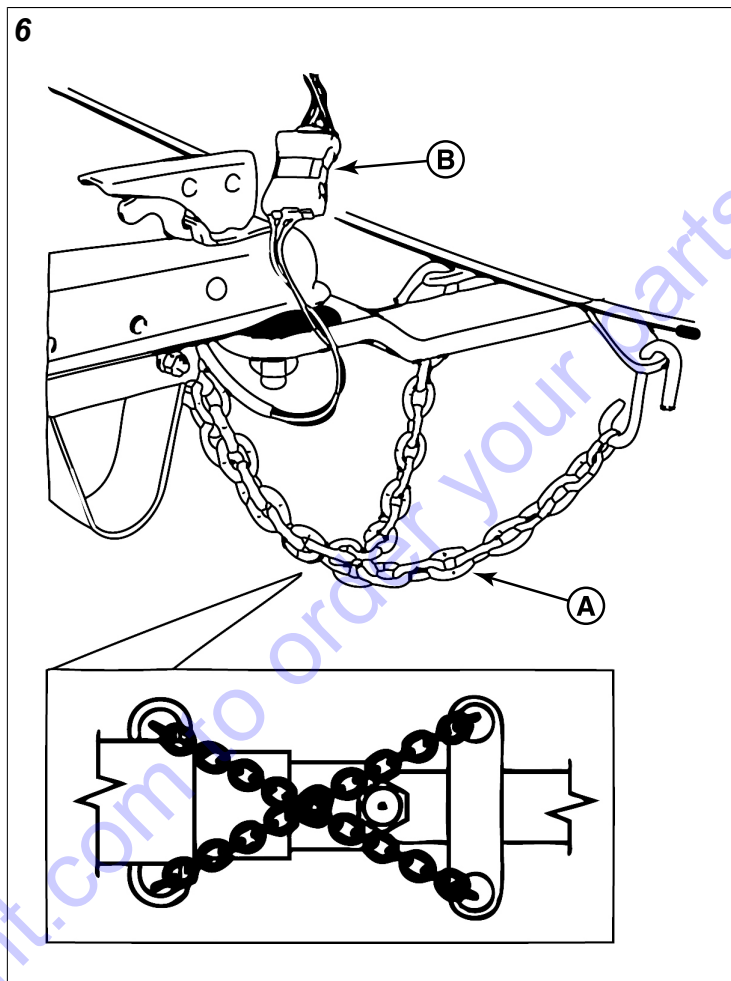
Risque de fonctionnement non sécuritaire

- L'omission d'installer de manière sécuritaire les chaînes de sécurité pourrait provoquer la mort ou des blessures graves. Toujours installer correctement les chaînes de sécurité.
 - a. Raccorder les chaînes de sécurité (A, Figure 6) aux passages pour chaînes de sécurité du véhicule remorqueur. Croiser les chaînes sous l'attelage pour entourer ce dernier en cas de séparation.
 - b. Installer les chaînes aussi serrées que possible avec assez de jeu pour permettre un virage sans encombrement.
6. Brancher le câble d'éclairage de la remorque.
- a. Veiller à ce que le câble d'éclairage de la remorque soit compatible avec celui du véhicule remorqueur. Au besoin, installer le câble ou le connecteur compatible au véhicule remorqueur.
 - b. Brancher le câble d'éclairage de la remorque à celui du véhicule remorqueur (B, Figure 6).
 - c. Veiller à ce qu'il y ait suffisamment de jeu pour permettre de faire un virage sans laisser le câble traîner sur le sol.
 - d. Vérifier le bon fonctionnement des feux de la remorque.

AVERTISSEMENT

Risque de fonctionnement non sécuritaire

- Le mauvais fonctionnement des feux de la remorque pourrait provoquer la mort ou des blessures graves. Toujours vérifier le bon fonctionnement des feux de la remorque et les réparer ou les remplacer au besoin.



- 7. Pour rétracter le vérin de flèche. Consulter la section **Transport – Utilisation du vérin de flèche**.
- 8. Retirer les cales de roue.

La remorque est maintenant prête à être tirée.

Pour déconnecter la remorque du véhicule remorqueur

1. Caler les roues.
2. Déployer le vérin de flèche. Consulter la section **Transport – Utilisation du vérin de flèche**.
3. Déconnecter le câble d'éclairage de la remorque de celui du véhicule remorqueur.
4. Retirer les chaînes de sécurité des passages de chaînes sur le véhicule remorqueur.
5. Désaccoupler l'attelage de la remorque de celui du véhicule remorqueur. Consulter **Transport – Couplage et découplage de l'attelage de la remorque**.
6. Éloigner le véhicule remorqueur de l'appareil.

Utilisation du vérin de flèche

L'appareil est doté d'un vérin de flèche pour soulever et abaisser la flèche de la remorque, et pour mettre la remorque de niveau de l'avant à l'arrière.

Pour déployer le vérin de flèche

1. Retirer la goupille de verrouillage du vérin (A, Figure 7).

- Faire tourner le vérin de flèche à 90° en position d'utilisation (B, Figure 7). Installer la goupille de verrouillage du vérin (C).



AVERTISSEMENT

Risque de fonctionnement non sécuritaire

- L'omission d'installer la goupille de verrouillage du vérin peut causer des blessures graves ou la mort. Veiller à verrouiller le vérin de flèche en position d'utilisation avec la goupille de verrouillage du vérin.

- Déplier la poignée du vérin en position de fonctionnement (D, Figure 7).

Pour abaisser le pied du vérin (soulever l'avant de la remorque)

- Tourner la poignée du vérin dans le sens antihoraire (E, Figure 7) pour abaisser le pied du vérin (F) et lever la flèche de la remorque.

Pour soulever le pied du vérin (abaisser la flèche de la remorque)

- Tourner la poignée du vérin dans le sens horaire (G, Figure 7) pour lever le pied du vérin (F) et abaisser la flèche de la remorque.

Pour rétracter le vérin de flèche

- Veiller à ce que la remorque soit soutenue de manière sécuritaire par le véhicule remorqueur ou d'autres moyens approuvés.

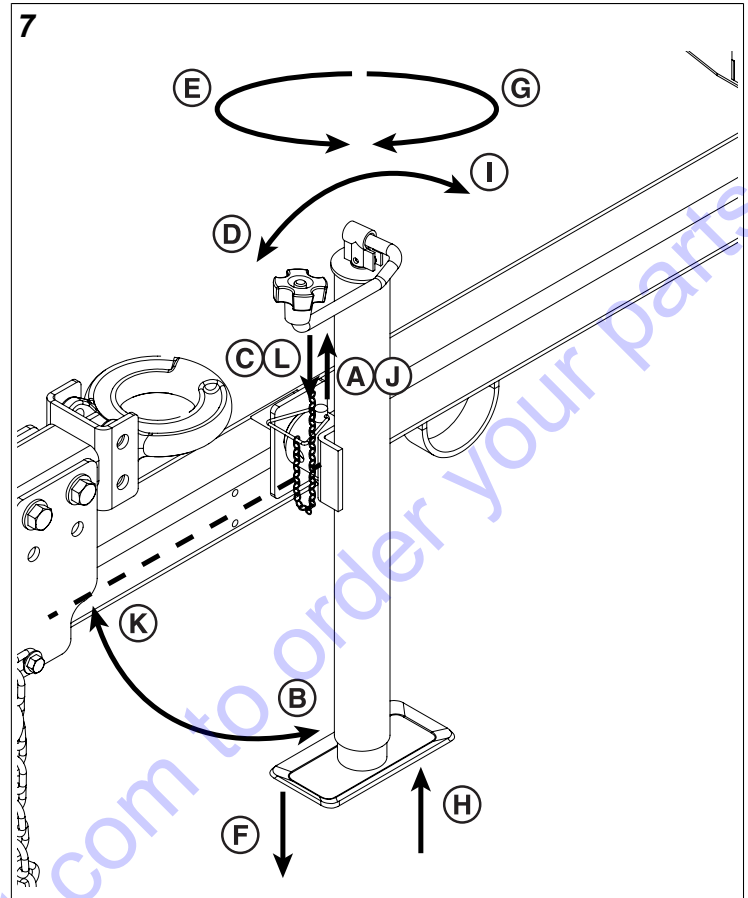


AVERTISSEMENT

Risque de fonctionnement non sécuritaire

- L'omission de soutenir la flèche de la remorque avant de rétracter le vérin de flèche pourrait entraîner la mort ou de graves blessures. Veiller à ce que le vérin de flèche soit soutenu de manière sécuritaire avant de rétracter.

- Soulever complètement le pied du vérin.
- Plier la poignée du vérin en position de transport (I, Figure 7).
- Retirer la goupille de verrouillage du vérin (J, Figure 7).
- Faire tourner le vérin de flèche à 90° en position de transport (K, 7). Installer la goupille de verrouillage du vérin (L).



Couplage et découplage de l'attelage de la remorque

Attelage de la remorque (pour attelages avec boule)

Pour couplage à l'attelage avec boule du véhicule remorqueur

- Tirer sur la gâchette de verrouillage (A, Figure 8) et soulever le levier de verrouillage (B, illustré soulevé).
- Utiliser le vérin de flèche pour abaisser la prise de la bride de raccordement de la remorque (C, Figure 8) complètement sur l'attelage à boule (F). Consulter la section **Transport – Utilisation du vérin de flèche**.
- Ajuster l'attache de la bride de raccordement (D, Figure 8) en utilisant l'écrou de réglage (E). Serrer l'écrou d'ajustement en tournant l'écrou dans le sens horaire, ou desserrer en tournant dans le sens antihoraire. Un ajustement approprié est obtenu lorsque l'attelage est aussi serré que possible sur l'attelage à boule et que le levier de verrouillage peut encore être ouvert et fermé.



AVERTISSEMENT

Risque de fonctionnement non sécuritaire

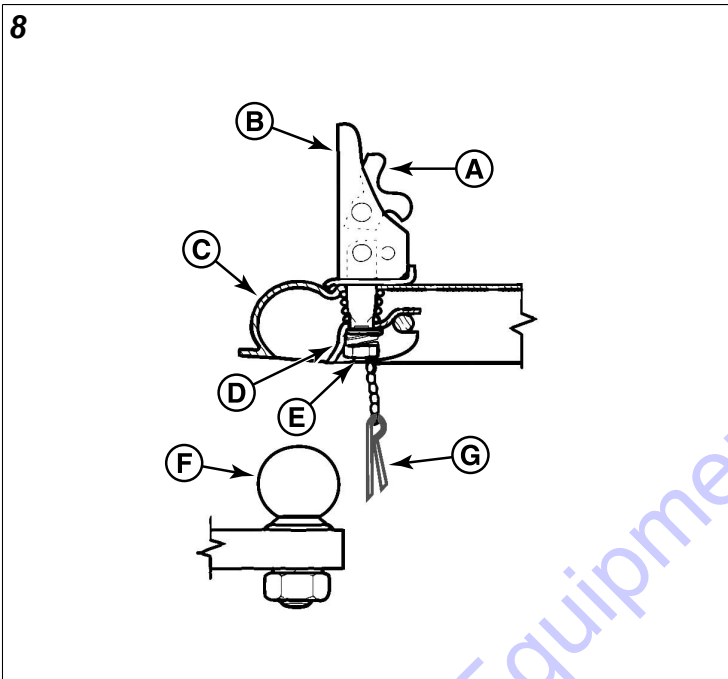
- L'omission d'ajuster correctement l'attache de la bride de raccordement pourrait provoquer la mort ou des blessures graves. Ajuster l'attache de la bride de raccordement et vérifier l'ajustement fréquemment.
- Pousser le levier de verrouillage vers le bas en position verrouillée. Insérer la goupille de verrouillage (G,

Figure 8) dans le trou dans le levier de verrouillage ou utiliser un cadenas pour plus de sécurité.

5. S'assurer que l'attelage est fixé de façon sécuritaire à la boule d'attelage.

Pour découpler

1. Enlever la goupille de verrouillage (ou le cadenas, le cas échéant) du trou dans le levier de verrouillage.
2. Tirer sur le mécanisme de verrouillage et soulever le levier de verrouillage.
3. Utiliser le vérin de flèche pour soulever l'attelage de remorque jusqu'à ce qu'il dépasse la boule d'attelage du véhicule remorqueur. Consulter la section **Transport** – **Utilisation du vérin de flèche**.



Anneau lunette (pour l'attelage à rondelle)

Pour raccorder l'attelage à rondelle du véhicule remorqueur

1. Ouvrir le loquet de verrouillage (C, Figure 9) sur l'attelage à rondelle du véhicule remorqueur (A).

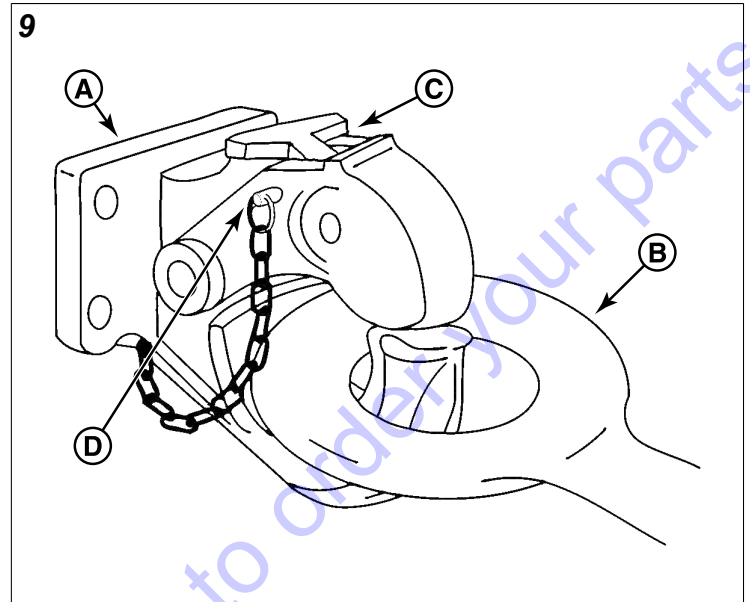
Remarque : Attelage à rondelle standard illustré; les modèles varient.

2. Utiliser le vérin de flèche pour abaisser l'anneau lunette (B, Figure 9) dans le crochet d'attelage à rondelle. Consulter la section **Transport** – **Utilisation du vérin de flèche**.
3. Fermer le levier de verrouillage. Insérer la goupille de verrouillage (D, Figure 9) dans le trou du levier de verrouillage.

Pour découpler

1. Retirer la goupille de verrouillage dans le trou du levier de verrouillage.
2. Ouvrir le levier de verrouillage.

3. Utiliser le vérin de flèche pour abaisser l'anneau lunette jusqu'à ce qu'il se dégage du crochet d'attelage à rondelle. Consulter la section **Transport** – **Utilisation du vérin de flèche**.



Levage

Exigences pour l'équipement de levage

- Utiliser seulement de l'équipement de levage approuvé avec une capacité de levage nominale qui dépasse le PNBV. Consulter **Spécifications**.



AVERTISSEMENT

Risque de fonctionnement non sécuritaire

- L'omission d'utiliser de l'équipement de levage approuvé avec une capacité de levage nominale qui dépasse le PNBV pourrait provoquer la mort ou des blessures graves. Utiliser seulement de l'équipement de levage approuvé avec une capacité de levage nominale qui dépasse le PNBV.

Points de levage

- Œillette de levage – (A, Figure 10) Utiliser seulement des manilles ou un crochet de type verrouillable en utilisant l'œillette de levage.
- Passages de fourche – (B, Figure 10) Utiliser des lames du chariot élévateur d'au moins 60 po (152 cm) de long en effectuant le levage de l'appareil. Insérer les lames du chariot élévateur dans les passages de fourche.



AVERTISSEMENT

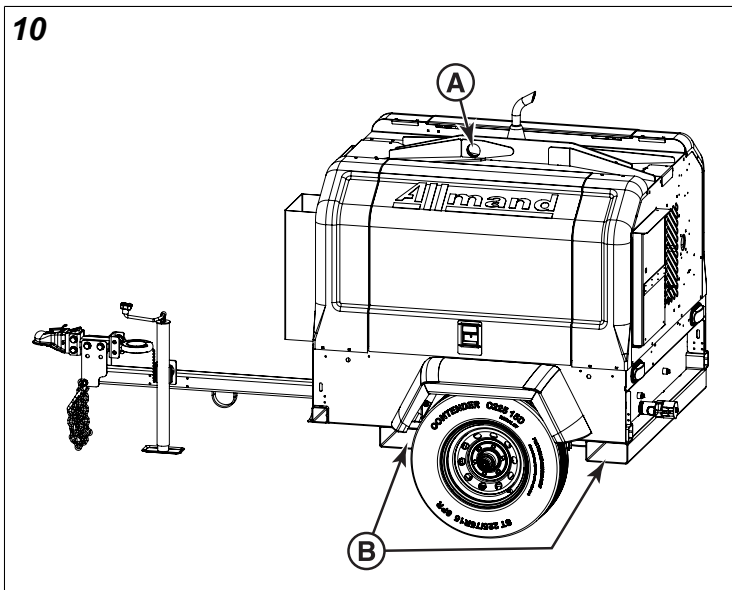
Risque de fonctionnement non sécuritaire

- L'omission d'utiliser les points de levage désignés pour soulever l'appareil pourrait provoquer la mort ou des blessures graves. Utiliser seulement les points de levage désignés pour soulever l'appareil.

AVERTISSEMENT

Risque d'écrasement

- Se tenir debout sous une tour d'éclairage ou près de cette dernière pendant qu'elle est soulevée pourrait provoquer la mort ou des blessures graves. Ne jamais se tenir debout sous l'appareil ni près de ce dernier pendant qu'il est soulevé.



Transport sur une remorque

Les points de fixation situés sur le dessous de la partie arrière de la remorque (passages de fourche droit et gauche) et la flèche de la remorque (A, Figure 11) sont utilisés pour fixer l'appareil à la remorque.

Remarque : Les emplacements des points de fixation de tous les modèles sont semblables.

AVERTISSEMENT

Risque de fonctionnement non sécuritaire

- L'omission d'utiliser les points de fixation désignés pour fixer l'unité à la remorque pourrait provoquer la mort ou des blessures graves. Utiliser toujours les points de fixation désignés pour fixer l'appareil à la remorque.
1. Fixer l'appareil aux points de fixation avec des chaînes ou des sangles de calibre adéquat.

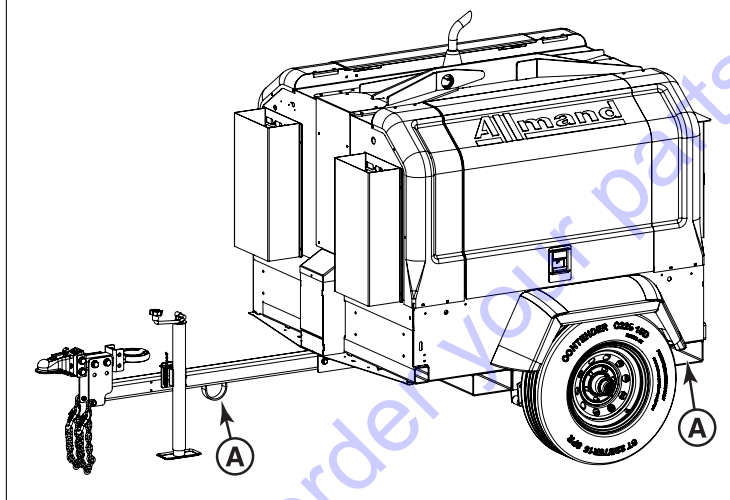
AVERTISSEMENT

Risque de fonctionnement non sécuritaire

- L'omission d'utiliser des chaînes ou des sangles de calibre adéquat pour fixer l'unité à la remorque pourrait provoquer la mort ou des blessures graves. Toujours utiliser des chaînes ou des sangles de calibre adéquat pour fixer l'unité à la remorque.
2. Ne pas appliquer une force de plus de 600 lb (272 kg) sur les chaînes ou les sangles.

3. Le conducteur du camion est responsable de fixer la charge correctement sur la remorque.

11



Fonctionnement

Avant l'utilisation, lire **Sécurité**.

Choisir le chantier

1. Obéir aux règles et aux règlements étatiques, provinciaux et fédéraux ainsi que les règlements ou les directives du chantier.
2. Tenir compte des points suivants en choisissant un chantier :

Surface du sol

- Faire l'installation sur des surfaces de terrain lisses, planes et solides seulement.
- Ne pas installer sur une inclinaison de plus de 2,8° (pente de 5 %) de l'avant à l'arrière et d'un côté à l'autre.



AVERTISSEMENT

Risque de renversement

- L'installation de l'appareil sur des terrains mous ou instables, ou sur des inclinaisons de plus de 2,8° (pente de 5 %), pourrait provoquer la mort ou des blessures graves. Installer l'appareil seulement sur des surfaces de terrain lisses, planes et solides avec des inclinaisons inférieures ou égales à 2,8° (pente de 5 %).

Installer l'appareil

1. Positionner l'appareil au chantier. Consulter la section **Fonctionnement – Choisir le chantier**.
2. Caler les roues. Consulter la section **Transport – Remorquage**.
3. Si l'appareil a été remorqué au chantier, le déconnecter du véhicule de remorquage. Consulter la section **Transport – Remorquage**.

- Mettre la remorque de niveau avec le vérin de flèche.
Consulter la section **Transport** – **Utilisation du vérin de flèche**.
- L'appareil est maintenant installé et prêt à être utilisé.

Faire le plein de carburant

Pour faire le plein

- Ouvrir la porte d'accès du compartiment du moteur pour accéder au ou aux réservoirs de carburant.
- Ouvrir le(s) bouchon(s) de remplissage.
- Ajouter du carburant au besoin. Consulter le manuel d'utilisation du moteur pour les recommandations de carburant. Consulter **Spécifications** pour la capacité de carburant.

AVIS

Carburant diesel seulement. L'utilisation d'essence peut causer des dommages au moteur.

AVIS

Faire le plein de carburant sous pression n'est pas permis.

Fonctionnement de l'unité

Avant utilisation

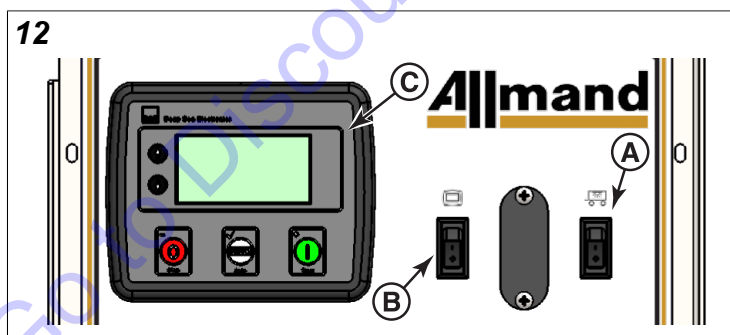
- Effectuer les vérifications avant utilisation.
Consulter **Liste de vérification avant utilisation**.
- Faire en sorte que l'appareil est installé correctement au chantier. Consulter la section **Fonctionnement – Installation de l'appareil**.

Utilisation du moteur

Pour démarrer le moteur

Modèles haute mer

- Régler l'interrupteur mode haute mer (C, Figure 12) à MARCHE.
- Consulter le manuel d'utilisation séparé pour utiliser l'appareil (D, Figure 12).



A	Éclairage intérieur – Éclaire le compartiment moteur
B	Interrupteur mode haute mer
C	Appareil haute mer

Arrêter le moteur

Modèles haute mer

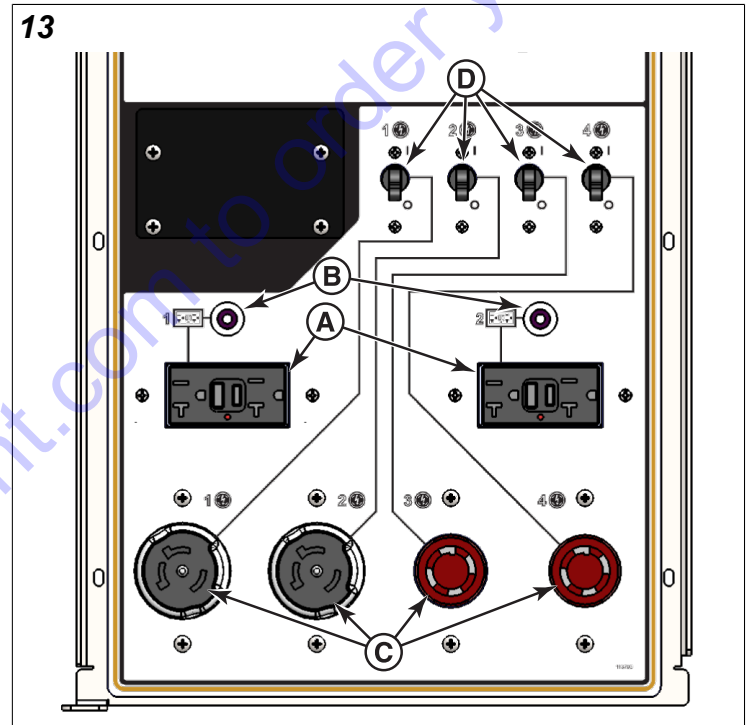
- Consulter le manuel d'utilisation Haute mer pour les procédures d'arrêt Haute mer.
- Régler l'interrupteur de mode Haute mer à ARRÊT.

Système d'arrêt automatique du moteur

Le moteur est équipé d'un système d'arrêt automatique du moteur pour empêcher des dommages excessifs au moteur en cas de faible pression d'huile ou de surchauffe du liquide de refroidissement. Pour des informations supplémentaires, consulter votre manuel d'utilisation du moteur.

Prises CA auxiliaires

Les appareils sont munis d'une gamme de prises CA auxiliaires. Consulter la Figure 13 et le tableau suivant.



A	Prises avec GFCI 120 V	Les prises offrent une alimentation 120 V, protégées avec un disjoncteur différentiel de fuite à la terre (GFCI).
B	Boutons de réinitialisation GFCI	Réinitialise les prises GFCI
C	Prises auxiliaires	Diverses prises auxiliaires
D	Disjoncteurs de prises auxiliaires	Met en et hors circuit les prises auxiliaires

Consulter la figure 14 et le tableau suivant selon les types de prises disponibles.

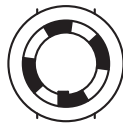
14



A



B



C



D



E

A	20 A, 120 volts DFT bipolaire, trifilaire, double GFCI NEMA 5-20R
B	50 A, 120/240 volts 3 pôles, 4-fils PRISE CS6369
C	30 A, 120/240 volts tripolaire, 4 fils, verrouillage par rotation NEMA L14-30R
D	30 A, 120 volts bipolaire, trifilaire NEMA TT-30R
E	50 A, 120/240 volts tripolaire, 4 fils NEMA L14-50R

Le courant est amené aux prises lorsque le moteur est en marche et le disjoncteur principal est activé.

Chaque prise est protégée par un disjoncteur dédié. Si le disjoncteur se déclenche :

1. Déconnecter la charge de la prise.
2. Arrêter le moteur.
3. Attendre 10 minutes que la génératrice se refroidisse.
4. Corriger le problème de charge.
5. Démarrer le moteur.
6. Réarmer le disjoncteur.

Remarque : Vérifier aussi le disjoncteur GFCI sur la prise GFCI et le réarmer si nécessaire.

7. Rebrancher la charge.
8. Si le problème persiste, consulter la rubrique **Dépannage**.

Arrêt de l'appareil

1. Arrêter le moteur. Consulter la section **Fonctionnement – Faire fonctionner le moteur**.
2. L'appareil est prêt pour le transport. Consulter **Transport**.

Entretien

Avant d'effectuer toutes procédures d'entretien, lire **Sécurité**.

L'entretien prévu est nécessaire pour l'utilisation sécuritaire et efficace de l'appareil. Dans des conditions extrêmes (poussière, chaleur, froid, etc.), un entretien plus fréquent peut être nécessaire.



AVERTISSEMENT

Risque de fonctionnement non sécuritaire

L'utilisation ou le transport d'une machine avec des pièces usées, endommagées ou manquantes pourrait provoquer la mort ou des blessures graves. Remplacer promptement toutes pièces usées, endommagées ou manquantes. Ne pas utiliser ni transporter cette machine tant que les pièces usées, endommagées ou manquantes n'ont pas été remplacées, et que le bon fonctionnement de la machine n'a pas été vérifié.

Renseignements généraux

Utiliser la liste de vérification avant utilisation comme instructions d'entretien. Voir **Liste de vérification avant utilisation**.

Moteur

Entretien général du moteur

Consulter le manuel d'utilisation du moteur pour toutes les procédures d'entretien prévu du moteur (incluant huile, liquide de refroidissement, filtres, etc.).

Vidange de l'huile à moteur

L'appareil est équipé d'un purgeur d'huile à moteur distant (A, Figure 15).

Pour vidanger l'huile à moteur :

1. Placer un contenant approuvé sous le drain à huile.
2. Retirer le bouchon de vidange d'huile ou ouvrir la soupape de vidange d'huile selon le modèle.
3. Laisser l'huile à moteur s'écouler complètement dans le contenant approuvé. Veiller à jeter l'huile à moteur usée selon les règlements locaux, étatiques, provinciaux ou fédéraux.
4. Replacer le bouchon de vidange d'huile ou fermer la soupape de vidange d'huile.
5. Ajouter de l'huile au moteur. Consulter les **Spécifications** ou le manuel d'utilisation du moteur pour les recommandations concernant l'huile et la capacité du réservoir.

AVIS

L'omission d'ajouter de l'huile à moteur abîmera le moteur.

Vidange de liquide de refroidissement du moteur

AVIS

Ne pas utiliser le type de liquide de refroidissement requis (tel qu'indiqué dans la section **Spécifications**) dans le radiateur peut endommager le moteur et le radiateur, rendant la garantie nulle et non avenue.

AVIS

Mélanger différents types de liquide de refroidissement dans le radiateur peut endommager le moteur et le radiateur, rendant la garantie nulle et non avenue.

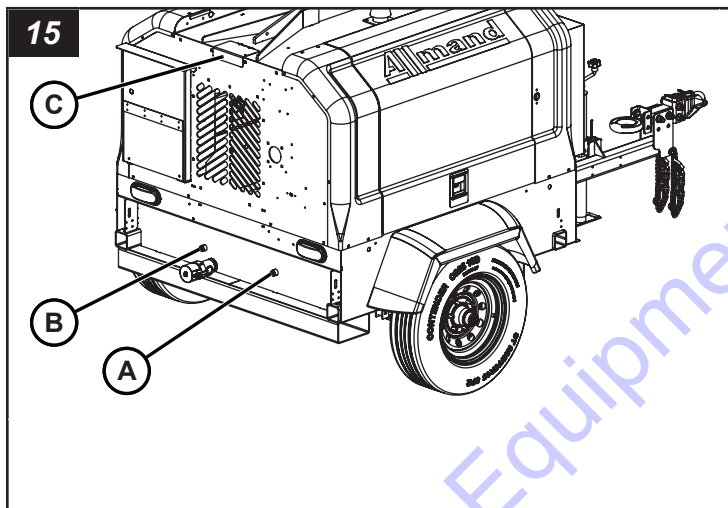
L'appareil est équipé d'un purgeur de liquide de refroidissement du moteur distant (B, Figure 15).

Pour purger le liquide de refroidissement du moteur :

1. Placer un contenant approuvé sous le drain à liquide de refroidissement.
2. Retirer le bouchon de vidange de liquide de refroidissement ou ouvrir la soupape de vidange de liquide de refroidissement selon le modèle.
3. Laisser le liquide de refroidissement du moteur s'écouler complètement dans le contenant approuvé. Veiller à jeter le liquide de refroidissement du moteur usé selon les règlements locaux, étatiques, provinciaux ou fédéraux.
4. Replacer le bouchon de vidange de liquide de refroidissement ou fermer la soupape de vidange de liquide de refroidissement.
5. Ouvrir la porte d'accès de remplissage de liquide de refroidissement (C, Figure 15), pour ajouter du liquide de refroidissement au moteur. Consulter la section **Spécifications**.

AVIS

L'omission d'ajouter le liquide de refroidissement du moteur abîmera le moteur.



Système électrique

Génératrice

Consulter le manuel d'utilisation de la génératrice pour connaître les procédures d'entretien prévues.

Remorque

Châssis

1. Vérifier le bon fonctionnement de l'attelage de remorque et s'il est corrodé ou endommagé. Remplacer si nécessaire.
2. Inspecter le châssis de la remorque et la tôle de carrosserie pour la présence de rouille, d'entailles et d'éclats. Utiliser de la peinture appropriée pour retoucher les entailles ou les égratignures. Contacter votre concessionnaire pour des informations supplémentaires.
3. Vérifier si l'essieu, les ressorts et le châssis sont usés ou endommagés. Remplacer si nécessaire.

4. Vérifier si les barres de longeron, les vérins stabilisateurs avant et arrière ainsi que les mécanismes de verrouillage sont usés ou endommagés et s'ils fonctionnent bien. Remplacer si nécessaire.
5. Vérifier si les chaînes de sécurité sont usées ou endommagées par la corrosion. Remplacer si nécessaire.
6. Vérifier si la trousse de sécurité est endommagée. Vérifier si la batterie est bien chargée. Vérifier si le câblage est usé ou effiloché. Vérifier si le câble de sécurité est usé ou endommagé. Réparer ou remplacer au besoin.

Points de graissage

1. Utiliser de la graisse de roulement haute température antifricction NGLI n° 2 pour tous les points de pivot mécaniques de la remorque.

Roues et pneus de la remorque

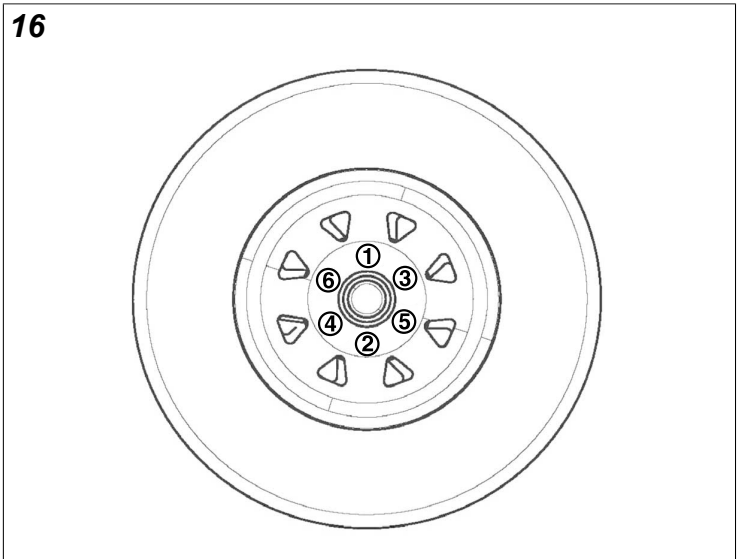


AVERTISSEMENT

Risque lié au remorquage

Tirer une remorque avec des pneus, des jantes ou des écrous endommagés pourrait provoquer la mort ou des blessures graves. Ne jamais tirer la remorque avec des pneus, des jantes ou des écrous de roue endommagés.

1. Vérifier les pneus en cas de fissures, coupures ou dommages. Réparer ou remplacer les pneus endommagés avant de remorquer.
2. Vérifier la pression d'air des pneus de la remorque lorsqu'ils sont froids. Consulter Spécifications.
3. Vérifier les jantes de roues en cas de fissures ou de dommages.
4. Vérifier si les freins fonctionnent correctement.
5. Veiller à ce que les écrous de roue soient en place. Ne jamais tirer la remorque avec des écrous de roue manquants ou incorrectement serrés.
6. S'assurer que les écrous de roue sont serrés correctement. Le bon couple pour les écrous de roue est de 90 lb-pi (122 Nm).
7. Lors du serrage des écrous de roue, toujours utiliser un motif entrecroisé.



Roulements de moyeu

Consulter le manuel d'utilisation des essieux pour les renseignements sur l'entretien des roulements de roue et autres composants des essieux.

Éclairage de la remorque



AVERTISSEMENT

Risque lié au remorquage

- Ne jamais tirer la remorque avec des feux de remorque non fonctionnels. Les feux sont une caractéristique de sécurité vitale de votre remorque et sont aussi requis par la loi provinciale. Maintenir les feux en bon état de fonctionnement.
1. Vérifier les feux de la roulotte et le faisceau pour des dommages ou de l'usure. Réparer ou remplacer au besoin.
 2. S'assurer que le faisceau est fixé à la remorque et ne pend pas sur le sol.
 3. Vérifier si les ensembles de boîtiers de feu arrière sont endommagés ou fuient. Utiliser un scellant au silicone ou au caoutchouc pour sceller la lentille ou le faisceau, si requis, ou remplacer l'assemblage du boîtier. La graisse électrique aidera à protéger les douilles et empêchera leur corrosion.
 4. Lors du remplacement des ampoules, veiller à ce que la bonne ampoule est utilisée et utiliser une petite quantité de graisse électrique dans les douilles pour empêcher la corrosion.
 5. Pour des informations sur le schéma de câblage de la remorque, consulter le manuel séparé schéma de câblage.

Nettoyage



AVERTISSEMENT

Risque d'emmêlement

L'omission d'arrêter le moteur avant de nettoyer l'appareil pourrait provoquer la mort ou des blessures graves. Toujours arrêter le moteur avant de nettoyer l'appareil.



AVERTISSEMENT

Danger de brûlure

Arrêter le moteur et laisser suffisamment de temps aux composants pour qu'ils se refroidissent avant de nettoyer l'appareil. L'omission de le faire pourrait provoquer de graves brûlures.

AVIS

Être prudent lors de l'utilisation d'air comprimé ou de laveuses à pression à l'eau ou à la vapeur. Ne pas nettoyer des composants électriques sous pression, ils risqueraient d'être endommagés.

Il est important de maintenir l'appareil propre pour en assurer le bon fonctionnement. L'accumulation de saleté et de poussière agit comme isolant et peut faire fonctionner le

moteur et la génératrice à des températures excessivement élevées.

Utiliser ce qui suit comme directives de nettoyage :

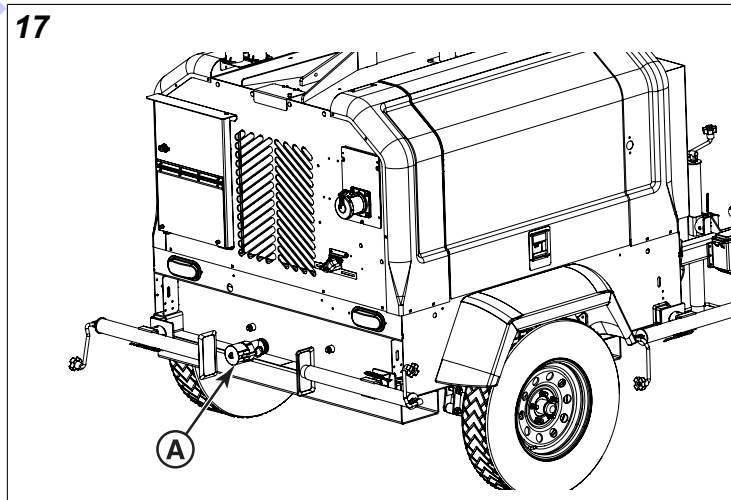
1. Nettoyer la remorque pour supprimer la saleté, la poussière et tout corps étranger.
2. Nettoyer tout le câblage électrique et les composants à la main en utilisant un nettoyant non corrosif.
3. Nettoyer l'intérieur du compartiment moteur.
4. Nettoyer tout déversement d'huile ou de liquide dans le compartiment moteur.
5. Vider le plateau de confinement du liquide.
Consulter **Vidanger le plateau de confinement du liquide**.

Système de confinement du liquide

L'appareil contient un système de confinement du liquide conçu pour recevoir les déversements de carburant, d'huile ou de liquide de refroidissement. Pour vidanger :

1. Positionner un contenant approprié sous le drain de confinement du liquide (A, Figure 17)
2. Retirer le bouchon de vidange.
3. Laisser le liquide se vidanger complètement dans le contenant.
4. Remettre le capuchon de vidange.
5. Jeter le liquide de manière adéquate conformément aux directives du gouvernement.

17



Remisage à long terme

Un entretien adéquat est requis lorsque l'appareil doit être remisé ou mis hors service pour des périodes prolongées.

Consulter le manuel d'utilisation du moteur et le manuel d'utilisation de la génératrice pour toutes les procédures de remisage à long terme du moteur et du générateur.

1. Faire les réparations nécessaires pour s'assurer que l'équipement est entièrement fonctionnel lors de la remise en service.
2. Nettoyer et laver le châssis et la tôle de carrosserie. Enduire toutes les surfaces d'une couche anticorrosion, le cas échéant.

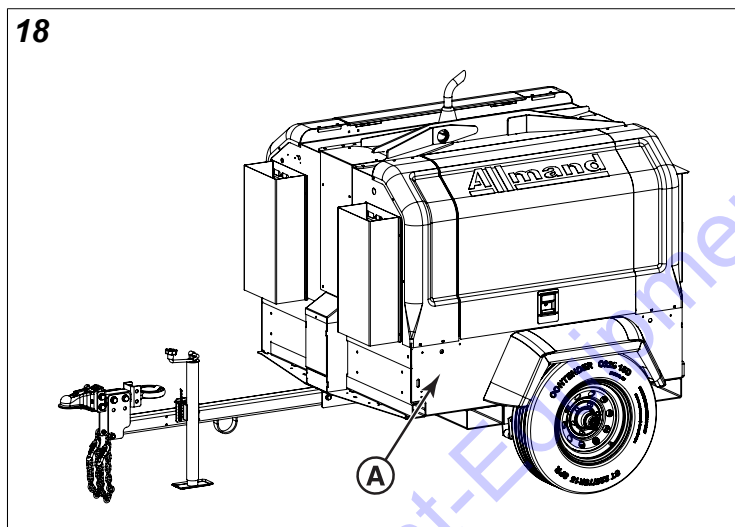
3. Nettoyer tout déversement d'huile ou de liquide dans le compartiment moteur.
4. Vidanger le système de retenue de liquide.
5. Nettoyer tout le câblage électrique et les composants à la main en utilisant un nettoyant non corrosif.
6. Débrancher et enlever la batterie.
7. Couvrir adéquatement pour protéger l'appareil.
8. Déposer adéquatement l'essieu de la remorque sur des chandelles ou autres supports appropriés pour que les pneus ne touchent pas au sol lors du remisage.

Numéros de modèle et de série

Le numéro de modèle et le numéro de série sont nécessaires pour le soutien du produit et les pièces pour la réparation. Vous trouverez ci-après les emplacements où se trouvent les numéros de modèle et les numéros de série des composants principaux.

La remorque à tour d'éclairage

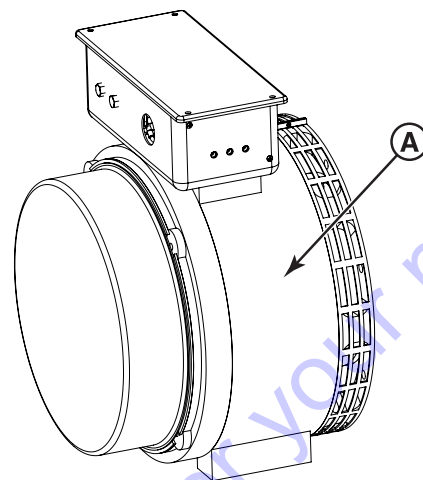
La plaque du numéro de série de la remorque se trouve à l'avant gauche de l'appareil (A, Figure 18).



Génératrice

La génératrice a une plaque avec numéro de série (A, Figure 19) fixée sur le côté du boîtier.

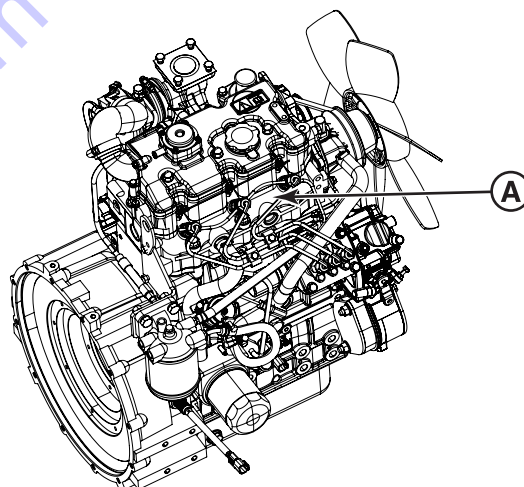
19



Moteur

Le moteur a une plaque avec numéro de série (A, Figure 20) fixée près du dessus du moteur.

20



Dépannage

Avant d'effectuer toute procédure de dépannage, lire la section **Sécurité**.

Pour le dépannage du moteur et de la génératrice, voir le manuel d'utilisation du moteur et le manuel d'utilisation de la génératrice ou contacter votre concessionnaire.

Pour tous les autres problèmes, contacter votre détaillant.

pour l'huile hydraulique

Dimension hors tout

Dimensions	Impérial	Métrique
Longueur	10 pi, 6 po	3,20 m
Largeur	6 pi, 5 po	1,96 m
Hauteur	6 pi, 2 po	1,86 m
Vide à fond	8,5 po	216 mm

Poids d'expédition	2 500 lb	1 134 kg
Poids nominal brut du véhicule (PNBV)	5 000 lb	2 267 kg

la remorque à tour d'éclairage

Spécifications	Impérial	Métrique
Poids nominal brut sur l'essieu (GAWR)	5 000 lb	2 267 kg
Dimensions et type de pneus	ST225/75R15D Capacité de charge « D »	
Jantes	15 x 6 JJ	
Pression de gonflage du pneu froid	65 psi	448 kPa
Vitesse sur la route maximale	65 mi/h	105 km/h
Vitesse hors-route maximale	20 mi/h	32 km/h
Réservoir de carburant	100 gallons US	378 L
Structure du cadre	Conception en acier soudé formé	
Essieu	Conception tubulaire	
Moyeux	(6) goujons ½-20 UNF sur un cercle de boulonnage de 5,5 po (139,7 mm) de diamètre	
Ressorts	Ressorts elliptiques – Trois feuilles	
Éclairage de route de la remorque	Arrêt, virage, arrière, feux de position, support de plaque d'immatriculation illuminé	
Connecteur de lumière de route de la remorque	Connecteur de VR à sept voies	
Œillet de levage – Capacité nominale	5 000 lb	2 267 kg
Points de fixation	Deux fentes de fixation dans le tube de passages de fourches arrière et avant	
Passages de fourches	Deux de chaque côté	

Alimentation – CA

Fréquence	60 Hz
Puissance de sortie principale nominale avec un moteur Perkins 1.5T	15,0 kW
Alternateur	Régulateur de tension automatique (AVR) 120 /240 volts CA
Phases	Monophasée

Moteur – Information Service général

PERKINS TURBO 1.5T		
Spécifications	Impérial	Métrique
Modèle	Perkins 1.5T	
Type	Moteur diesel à trois cylindres refroidi à l'eau	
Cylindrée	91 po ³	1 491 cm ³
Aspiration	Turbocompresseur	
Émissions	Niveau 4 final EPA/Niveau IV de l'UE	
Puissance de sortie – Principale	22,3 ch à 1 800 tr/min	16,6 kWm à 1 800 tr/min
Système de carburant	Injection indirecte	
Aide au démarrage	Bougie de préchauffage	
Alternateur de moteur	60 A	
Arrêt automatique de faible pression d'huile	10 psi	69 kPa

Arrêt automatique de température élevée de l'eau	234 °F	112 °C
Carburant	En Amérique du Nord, il faut utiliser des carburants diesel qui respectent la norme ASTM D975 pour le diesel à faible teneur en soufre (Ultra Low Sulfur Diesel, ULSD). L'ULSD a un contenu maximal de soufre de 15 parties par million (PPM) ou de 15 mg/kg. Le carburant diesel peut être des types 1-D et 2-D. Consulter le manuel d'utilisation du moteur pour des renseignements détaillés.	
Huile à moteur	Consulter le manuel d'utilisation du moteur pour obtenir de l'information détaillée.	
Capacité d'huile à moteur : avec filtre	7,5 pte	7,0 L
Capacité du système de liquide de refroidissement	6,5 pte	6,1 L
Type de liquide de refroidissement de moteur requis	Liquide de refroidissement à durée prolongée sans nitrite, technologie d'acide organique (Organic Acid Technology [OAT], sans 2-EHA	
Capacité du réservoir de trop-plein de liquide de refroidissement	1,1 pte	1,0 L
Intervalle de service : filtre et changement d'huile	500 heures	
Intervalle de service – Filtre à carburant	500 heures	
Intervalle de service : filtre à air	Consulter le manuel d'utilisation du moteur	
Remarque*	L'huile moteur doit être vérifiée avant la mise en marche et remplie, au besoin	

Alimentation – CC

Système électrique du moteur	12 volts CC
Nombre de batteries	1-2
Taille de la batterie	Groupe 24
Type de batterie	Standard : Acide au plomb Facultatif : fibres de verre imprégnées (AGM)
Valeurs nominales de la batterie	525 CCA à 0 °F (-18 °C) 775 CCA à 0 °F (-18 °C)

Guides des composants

En plus de ce manuel d'utilisation, assurez-vous de lire les guides des composants qui sont inclus avec la machine.

Pour les modèles dotés d'un essieu Dexter, les manuels d'utilisation se trouvent en ligne : <http://www.dexteraxle.com/resources/manuals>.

Pour l'entretien des freins électriques, choisissez Freins électriques de service léger.

Pour l'entretien des moyeux, des tambours et des roulements, choisissez Moyeux, tambours et roulements de service léger.

Pour le calendrier d'entretien, choisissez Calendrier d'entretien de service léger.

Signaler les défauts de sécurité

Signaler les défauts de sécurité au gouvernement des États-Unis

En cas de doute que le véhicule présente une défectuosité qui pourrait causer un accident, des blessures ou la mort, Allmand ainsi que l'Administration nationale de la sécurité routière (National Highway Traffic Safety Administration, NHTSA) devaient en être informées.

Si NHTSA reçoit des plaintes similaires, une investigation peut s'ouvrir, et si elle trouve qu'une défectuosité liée à la sécurité existe dans un groupe de véhicules, il pourrait y avoir un rappel afin d'effectuer des réparations. Toutefois, la NHTSA ne peut pas s'impliquer dans des problèmes individuels entre l'utilisateur, le concessionnaire ou Allmand.

Pour joindre la NHTSA, appeler la ligne d'assistance téléphonique pour la sécurité des véhicules au numéro sans frais 1-888-327-4236 (ATS : 1-800-424-9153), visiter le <http://www.safercar.gov> ou écrire à : Administrator, NHTSA, 400 Seventh Street, SW., Washington, DC 20590.

Vous pouvez aussi obtenir d'autres informations au sujet de la sécurité des véhicules à moteur de <http://www.safercar.gov>.

Signaler les défauts de sécurité au gouvernement du Canada

Les résidents du Canada qui pensent que le véhicule présente un défaut de sécurité doivent en informer immédiatement Transport Canada et Allmand. Appeler Transports Canada au 1-800-333-0510, visiter le www.tc.gc.ca/rappels (français) ou le www.tc.gc.ca/recalls (anglais) ou écrire à : Transport Canada, Normes de service, Division des enquêtes sur les défauts et rappels, 80, rue Noël, Gatineau, QC J8Z 0A1

Signaler les défauts de sécurité à Allmand

En plus d'aviser la NHTSA (ou Transports Canada) d'une situation comme celle-ci, aviser Allmand. Contacter le service d'entretien d'Allmand au 1-800-562-1373, visiter le www.allmand.com/ ou écrire à : Allmand Bros., Inc., P.O. Box 888, Holdrege, NE 68949.

Consignes de sécurité relatives aux pneus

La section suivante comporte des renseignements sur la sécurité relative aux pneus, comme l'exige la norme 49 CFR 575.6. Sujets abordés :

(i) L'étiquetage des pneus, y compris une description et une explication de chaque marquage sur les pneus fournis avec le véhicule et des informations sur l'emplacement du numéro d'identification des pneus (NIP);

(ii) La pression de gonflage des pneus recommandée, y compris une description et une explication des points suivants :

(A) Pression de gonflage des pneus à froid recommandée;

(B) La plaque du véhicule et l'étiquette de pression de gonflage des pneus et leur emplacement dans le véhicule;

(C) Les conséquences du sous-gonflage sur la sécurité (y compris la défaillance des pneus), et

(D) Mesure et réglage de la pression pour obtenir un gonflage adéquat;

(iii) Glossaire de la terminologie relative aux pneus, y compris la « pression des pneus à froid », la « pression de gonflage maximale » et la « pression de gonflage recommandée » et d'autres termes non techniques;

(iv) L'entretien des pneus, y compris les pratiques en matière de sécurité;

(v) Les limites de charge du véhicule, y compris une description et une explication des éléments suivants :

(A) Repérer et comprendre les informations sur les limites de charge, la capacité de charge totale, le nombre de places assises, la capacité de remorquage et la capacité de chargement;

(B) Calculer la capacité totale et la capacité de chargement avec différentes configurations de sièges, y compris des exemples quantitatifs illustrant la manière dont la capacité de chargement et de bagages du véhicule diminue à mesure que le nombre et la taille combinés des occupants augmentent;

(C) Déterminer la compatibilité des pneus et des capacités de charge du véhicule;

(D) Les incidences sur les pneus d'une surcharge pour la sécurité par rapport à la tenue de route et au freinage.

1. Étapes pour déterminer la limite de charge appropriée – Remorque

Déterminer les limites de charge d'une remorque ne se limite pas à comprendre les limites de charge des pneus seuls. Toutes les remorques portent une étiquette de certification fédérale/NIV qui se trouve dans la moitié avant du côté gauche (côté route). Cette étiquette de certification/NIV indique le poids nominal brut du véhicule (PNBV) de la remorque. Il s'agit du poids maximum de la remorque entièrement chargée. Elle indique également le poids technique maximal sous essieu (GAWR). Il s'agit du poids maximum sous un essieu particulier. Si la remorque comporte plusieurs essieux, le GAWR est indiqué.

Si le PNBV de la remorque est inférieur ou égal à 10 000 livres, il y a une plaque de véhicule qui se trouve au même endroit que l'étiquette de certification décrite ci-dessus. Cette plaque indique les informations sur les pneus et le chargement. De plus, cette plaque indique la capacité maximale de chargement. La remorque peut être chargée jusqu'au poids maximum indiqué sur la plaque. Le poids combiné du chargement est indiqué sous la forme d'un seul nombre. Dans tous les cas, ne pas oublier que le poids total d'une remorque entièrement chargée ne peut pas dépasser le PNBV indiqué.

Pour les remorques comportant des espaces habitables, le poids de l'eau et du propane doit également être pris en compte. Le poids des réservoirs de propane entièrement remplis est considéré comme faisant partie du poids de la remorque avant qu'elle ne soit chargée de marchandises et non comme faisant partie du chargement temporaire. Par contre, l'eau est un poids de chargement temporaire et est traitée comme telle. Un réservoir destiné à contenir 100 gallons d'eau douce pèserait environ 800 livres une fois rempli. Si une quantité plus importante de marchandises est transportée, l'eau peut être déchargée pour maintenir le poids total du chargement dans les limites du PNBV afin de ne pas surcharger le véhicule. Comprendre cette flexibilité vous permettra, en tant que propriétaire, de faire les bons choix en fonction de vos besoins.

Lors du chargement de la cargaison, veiller à ce qu'elle soit répartie uniformément pour éviter toute surcharge de l'avant à l'arrière et d'un côté à l'autre. Les objets lourds devraient être placés bas et aussi près des essieux que possible. Mettre trop d'objets d'un même côté peut surcharger un pneu. La meilleure façon de connaître le poids réel du véhicule est de le peser sur une balance publique. Parler au concessionnaire des méthodes de pesage nécessaires pour mesurer les différents poids liés à la remorque. Cela comprend le poids à vide et le poids par essieu, par roue, par attache-remorque ou par pivot, ainsi que le poids total.

Des charges excessives ou un sous-gonflage provoquent une surcharge sur les pneus et, par conséquent, une flexion anormale se produit. Cette situation peut générer une chaleur excessive dans le pneu. Cela peut entraîner une défaillance du pneu. Puisque la pression d'air permet à un pneu de supporter la charge, un bon gonflage est essentiel. La pression d'air appropriée se trouve sur l'étiquette de certification/NIV ou sur la plaquette relative aux pneus. Cette valeur ne doit jamais dépasser la pression de.

1.1 Remorques avec un PNBV de 10 000 livres (4 536 kg) ou moins

(1) Repérer la mention « The weight of cargo should never exceed XXX kg or XXX lbs » (« Le poids du chargement ne doit jamais dépasser XXX kg ou XXX lb ») sur la plaque du véhicule.

(2) Ce chiffre est égal à la capacité de charge disponible pour la marchandise et les bagages.

(3) Déterminer le poids combiné des bagages et des marchandises chargés dans le véhicule. Pour des raisons de sécurité, ce poids ne doit pas dépasser la capacité maximale de chargement de la marchandise et des bagages.

1.2 Remorques avec un PNBV de plus de 10 000 livres (4 536 kg) (Remarque : Ces remorques ne sont pas tenues de comporter une plaque d'information sur les pneus.)

(1) Déterminer le poids à vide de la remorque en pesant la remorque à l'aide d'une balance publique ou d'un autre moyen. Cette étape n'a pas besoin d'être répétée.

(2) Repérer le PNBV de la remorque sur l'étiquette du NIV (certification) de la remorque.

(3) Soustraire le poids à vide de la remorque du PNBV indiqué sur l'étiquette du NIV. Le poids de chargement maximal de la remorque à ne pas dépasser est ainsi obtenue pour des raisons de sécurité.

2. Étapes pour déterminer la limite de charge appropriée – véhicule tracteur

(1) Repérer la mention « The combined weight of occupants and cargo should never exceed XXX kg or XXX lbs » (« Le poids combiné des occupants et du chargement ne doit jamais dépasser XXX kg ou XXX lb ») sur la plaque du véhicule.

(2) Déterminer le poids combiné du conducteur et des passagers du véhicule.

(3) Soustraire le poids combiné du conducteur et des passagers de XXX kg ou de XXX lb.

(4) Ce résultat est égal à la capacité de charge disponible pour la marchandise et les bagages. Par exemple, si le nombre « XXX » est égal à 1 400 lb et s'il y a cinq passagers de 150 lb dans le véhicule, la capacité de charge disponible pour la marchandise et les bagages est de 650 lb (1 400 - 750 [5 × 150] = 650 lb).

(5) Déterminer le poids combiné des bagages et des marchandises chargés dans le véhicule. Pour des raisons de sécurité, ce poids ne doit pas dépasser la capacité maximale de chargement de la marchandise et des bagages calculée à l'étape 4.

(6) Si le véhicule doit tirer une remorque, le chargement sera transféré au véhicule. Consulter le manuel du véhicule tracteur pour déterminer comment cela réduit la capacité de chargement du véhicule en matière de cargaison et de bagages.

3. Glossaire de la terminologie relative aux pneus

Poids des accessoires désigne le poids combiné, en plus des éléments standard qui peuvent être remplacés, de la transmission automatique, de la direction assistée, des freins assistés, des vitres et des sièges électriques, de la radio et du système de chauffage, dans la mesure où ces articles sont offerts en tant qu'équipements installés en usine (qu'ils soient installés ou non).

Le **talon** désigne la partie du pneu qui est faite de fils d'acier enveloppés ou renforcés par des câblés de pli et qui est formée pour s'adapter à la jante.

La **séparation du talon** désigne la rupture du lien entre les composants du talon.

Un **pneu à renfort de carcasse en diagonale** désigne un pneu dans lequel les câbles du pli qui s'étendent jusqu'aux talons sont posés à des angles alternés sensiblement inférieurs à 90 degrés par rapport à la ligne centrale de la bande de roulement.

La **carcasse** désigne la structure du pneu, à l'exception de la bande de roulement et du caoutchouc des flancs qui, une fois le pneu gonflé, supportent la charge.

Arrachement est le détachement de morceaux de la bande de roulement ou du flanc.

Câblé désigne les brins formant les plis du pneu.

La séparation des câblés signifie que les fils câblés sont séparés des composés de caoutchouc adjacents.

Craquelage désigne toute séparation dans la bande de roulement, le flanc ou le calandrage intérieur du pneu s'étendant aux câblés.

Poids à vide désigne le poids d'un véhicule à moteur avec l'équipement standard, y compris la capacité maximale de carburant, d'huile et de liquide de refroidissement et, le cas échéant, la climatisation et le poids supplémentaire d'un moteur en option.

Pression de gonflage à froid désigne la pression des pneus lorsque le véhicule n'a pas roulé pendant au moins trois heures.

Pneu à charge supplémentaire désigne un pneu conçu pour être utilisé avec des charges et une pression de gonflage plus élevées que le pneu standard correspondant.

La **rainure** désigne l'espace entre deux nervures adjacentes de la bande de roulement.

Poids technique maximal sous essieu (GAWR) est la valeur spécifiée par le constructeur du véhicule comme étant la capacité de charge d'un seul système d'essieu, telle que mesurée aux interfaces pneu-sol.

Poids nominal brut du véhicule ou PNBV désigne la valeur spécifiée par le constructeur comme étant le poids d'un seul véhicule chargé.

Le poids à l'attelage est la force descendante exercée sur la boule d'attelage par l'attelage de remorque.

Le revêtement intérieur désigne la ou les couches formant la surface intérieure d'un pneu sans chambre à air qui comporte le système de gonflage à l'intérieur du pneu.

La séparation du revêtement intérieur signifie que le revêtement intérieur est séparé des câblés dans la carcasse.

Pneu pour véhicule utilitaire léger (LT) est un pneu désigné par son fabricant comme étant principalement destiné à être utilisé sur des camions légers ou des véhicules de tourisme polyvalents.

La capacité de charge désigne la charge maximale qu'un pneu est censé supporter pour une pression de gonflage donnée.

La capacité de charge maximale désigne l'indice de charge d'un pneu à la pression de gonflage maximale autorisée pour ce pneu.

La pression de gonflage maximale autorisée désigne la pression de gonflage à froid maximale à laquelle un pneu peut être gonflé.

Le poids maximum d'un véhicule chargé est la somme des éléments suivants : (a) poids à vide, (b) poids des accessoires, (c) poids de la capacité du véhicule et (d) poids des options de production.

Jante de mesure désigne la jante sur laquelle un pneu est monté pour les besoins de la dimension physique.

Jante non pneumatique désigne un dispositif mécanique qui, lorsqu'un assemblage de pneus non pneumatiques comprend une roue, supporte le pneu et se fixe, soit intégralement, soit de manière séparable, à l'élément central de la roue et sur lequel le pneu est fixé.

Assemblage de pneu de secours non pneumatique est un assemblage de pneu non pneumatique destiné à un usage temporaire à la place d'un assemblage pneu-jante monté sur une voiture conformément aux exigences de la présente norme.

Pneu non pneumatique désigne un dispositif mécanique qui transmet, directement ou par l'intermédiaire d'une roue ou d'un corps de roue, la charge verticale et les forces de traction de la chaussée au véhicule, qui génère les forces de traction qui assurent le contrôle directionnel du véhicule, et ce, sans gaz ni liquide pour assurer ces fonctions.

Assemblage de pneu non pneumatique est un pneu non pneumatique, seul ou en combinaison avec une jante ou un corps de roue, qui peut être monté sur un véhicule.

Le poids normal des occupants est calculé comme suit : 68 kg (150 lb) est multiplié par le nombre d'occupants spécifié dans la deuxième colonne du Tableau I de la norme 49 CFR 571.110.

Répartition des occupants est la répartition des occupants dans un véhicule comme spécifié dans la troisième colonne du Tableau I de la norme 49 CFR 571.110.

Soudure ouverte désigne toute séparation à une jonction de la bande de roulement, du flanc ou du revêtement intérieur qui s'étend aux câblés.

Diamètre extérieur désigne le diamètre total d'un pneu neuf gonflé.

Largeur hors tout désigne la distance linéaire entre les extérieurs des flancs d'un pneu gonflé, y compris les élévations dues aux étiquettes, aux décorations, aux bandes de protection ou aux nervures.

Pneu tourisme désigne un pneu destiné à être utilisé sur les voitures de tourisme, les véhicules de tourisme polyvalents et les camions, dont le poids nominal brut du véhicule (PNBV) est inférieur ou égal à 10 000 livres.

Poids de la boule d'accouplement est la force descendante appliquée à la sellette ou à la boule du col de cygne par le pivot d'attelage de la remorque ou de l'attelage à col de cygne.

Pli désigne une couche de câbles parallèles recouverts de caoutchouc.

Décollement entre plis est une séparation du composé de caoutchouc entre les plis adjacents.

Pneumatique est un dispositif mécanique composé de caoutchouc, de produits chimiques, de tissu et d'acier ou d'autres matériaux qui, lorsqu'il est monté sur une roue d'automobile, assure la traction. Il contient le gaz ou le liquide qui soutient la charge.

Poids des options de production est le poids combiné des options de production courantes installées et pesant plus de 2,3 kilogrammes de plus que les éléments standards qu'elles remplacent et qui ne sont pas pris en compte dans le poids à vide ou le poids des accessoires, y compris les freins à service lourd, les stabilisateurs, le porte-bagages de toit, la batterie à usage intensif et les garnitures spéciales.

Un pneu à carcasse radiale est un pneu dans lequel les câbles du pli qui s'étendent jusqu'aux talons sont posés à des angles de 90 degrés par rapport à la ligne centrale de la bande de roulement.

La pression de gonflage recommandée est la pression de gonflage à froid appropriée telle qu'elle est indiquée sur l'étiquette d'information sur les pneus.

Pneu renforcé est un pneu conçu pour être utilisé avec des charges et une pression de gonflage plus élevées que le pneu standard correspondant.

Jante désigne un support métallique pour un pneu ou un ensemble de pneu et chambre à air sur lequel reposent les talons du pneu.

Diamètre de jante est le diamètre nominal du siège du talon.

Désignation de la jante est le diamètre et la largeur de la jante.

Désignation du type de jante est la désignation du fabricant d'une jante par style ou code.

Largeur de jante est la distance nominale entre les rebords de la jante.

Largeur du boudin désigne la distance linéaire entre les extérieurs des flancs d'un pneu gonflé, à l'exclusion des élévations dues à l'étiquetage, à la décoration ou aux bandes de protection.

Le flanc est la partie d'un pneu située entre la bande de roulement et le talon.

Il y a séparation du flanc lorsque le composé de caoutchouc et les câblés se séparent dans le flanc.

Un pneu ST n'est conçu que pour être utilisé sur des remorques tirées sur une route.

Jante d'essai désigne la jante sur laquelle un pneu est monté pour l'essai. Cela peut être toute jante répertoriée comme appropriée pour ce pneu.

La bande de roulement est la partie d'un pneu qui entre en contact avec la route.

Une nervure est une partie de la bande de roulement qui entoure le pneu sur toute sa circonférence.

Il y a déchappage lorsqu'un décollement de la bande de roulement de la carcasse du pneu se produit.

Les indicateurs d'usure (Treadwear indicators, TWI) sont les projections dans les rainures principales conçues pour donner une indication visuelle du degré d'usure de la bande de roulement.

Le poids de la capacité du véhicule est la charge nominale de la cargaison et des bagages plus 68 kilogrammes multiplié par le nombre de places assises du véhicule.

La charge maximale du véhicule sur le pneu est la charge sur un pneu individuel qui est déterminée en distribuant à chaque essieu sa part du poids maximal du véhicule chargé et en la divisant par deux.

La charge normale du véhicule sur le pneu est la charge sur un pneu individuel qui est déterminée en distribuant à chaque essieu sa part du poids à vide, du poids des accessoires et du poids normal des occupants (distribués conformément au tableau I de la norme 49 CFR 571.110) et en divisant ce nombre par 2.

Le corps de roue signifie, dans le cas d'un assemblage de pneu non pneumatique comprenant une roue, un dispositif mécanique qui se fixe, intégralement ou de manière séparable, à la jante non pneumatique et qui assure la liaison entre la jante non pneumatique et le véhicule ou, dans le cas d'un assemblage de pneu non pneumatique ne comprenant pas de roue, un dispositif mécanique qui se fixe, intégralement ou de manière séparable, au pneu non pneumatique et qui assure la liaison entre le pneu et le véhicule.

Le dispositif de fixation de la roue est utilisé pour maintenir l'assemblage de roue et de pneu en toute sécurité pendant les essais.

4. La sécurité des pneus – tout repose sur eux

La National Highway Traffic Safety Administration (National Traffic Safety Administration, NHTSA) a publié une brochure (DOT HS 809 361) qui aborde tous les aspects de la sécurité des pneus, comme l'exige la norme 49 CFR 575.6. Elle est partiellement reproduite ci-dessous. Elle peut être obtenue et téléchargée gratuitement auprès de la NHTSA sur le site Web suivant : http://www.nhtsa.dot.gov/cars/rules/TireSafety/ridesonit/tires_index.html

Les études sur la sécurité des pneus montrent que le maintien d'une pression adéquate, le respect des limites de charge des pneus et du véhicule (ne pas transporter plus de poids dans le véhicule que ce que les pneus ou le véhicule peuvent supporter en toute sécurité), éviter les dangers de la route et inspecter les pneus à la recherche de coupures, d'entailles et d'autres irrégularités) sont les choses les plus importantes à faire pour éviter une défaillance des pneus, comme le déchappage, les éclatements ou les crevaisons. Ces mesures, ainsi que d'autres interventions d'entretien, ont également les avantages suivants :

- Améliorer la maniabilité du véhicule
- Contribuer à vous protéger, ainsi que les autres, contre les pannes et les accidents évitables
- Économiser du carburant
- Augmenter la durée de vie des pneus

Ce livret présente un aperçu complet de la sécurité des pneus, y compris des informations sur les sujets suivants :

- Entretien de base des pneus
- Classement uniformisé de la qualité du pneu
- Caractéristiques fondamentales des pneus
- Conseils de sécurité en matière de pneus. Ces renseignements vous permettront de faire de la sécurité des pneus un élément régulier de votre programme d'entretien du véhicule.

Reconnaître que le temps passé est minime par rapport aux inconvénients et aux conséquences sur la sécurité d'un pneu à plat ou d'une autre défaillance.

La sécurité d'abord – entretien de base des pneus

Des pneus adéquatement entretenus améliorent la direction, le freinage, la traction et la capacité de charge du véhicule. Les pneus sous-gonflés et les véhicules surchargés sont une cause majeure de défaillance des pneus. Par conséquent, comme mentionné ci-dessus, pour éviter les crevaisons et les autres types de défaillance des pneus, il est nécessaire de maintenir une pression appropriée des pneus, de respecter les limites de charge des pneus et du véhicule, d'éviter les dangers de la route et d'inspecter régulièrement vos pneus.

Trouver la pression des pneus et les limites de charge recommandées pour votre véhicule

Les plaques d'information sur les pneus et les étiquettes de certification du véhicule comportent des renseignements sur les pneus et les limites de charge. Ces étiquettes indiquent les informations du constructeur du véhicule, notamment :

- Taille de pneu recommandée
- Pression de gonflage des pneus recommandée
- Poids de capacité du véhicule (vehicle capacity weight, VCW – le poids maximal des occupants et du chargement qu'un véhicule est conçu pour transporter)
- Poids nominal brut des essieux avant et arrière (GAWR – le poids maximal que les systèmes d'essieux sont conçus pour supporter).

Les plaques et les étiquettes de certification sont fixées en permanence sur la remorque, près de la partie avant, à gauche.

Comprendre la pression des pneus et les limites de charge

La pression de gonflage est le niveau d'air dans le pneu qui lui confère une capacité de charge et qui influence la performance globale du véhicule. La pression de gonflage d'un pneu est le nombre qui indique la quantité de pression d'air – mesurée en livres par pouce carré (psi) – pour qu'un pneu soit bien gonflé. (Ce nombre figure également sur la plaque d'information du véhicule en kilopascals [kPa], qui est la mesure métrique utilisée sur le plan international.)

Les fabricants de véhicules de tourisme et de camions légers déterminent ce nombre en fonction de la limite de charge nominale du véhicule, c'est-à-dire, le poids maximal qu'un véhicule peut transporter en toute sécurité et les dimensions des pneus du véhicule. La pression appropriée des pneus du véhicule est appelée « pression de gonflage à froid recommandée ». (Comme cela est décrit ci-dessous, il est difficile d'obtenir la pression recommandée lorsque les pneus ne sont pas froids.)

Comme les pneus sont conçus pour être utilisés sur plus d'un type de véhicule, les fabricants de pneus indiquent la « pression de gonflage maximale autorisée » sur le flanc du pneu. Ce nombre représente la pression d'air la plus élevée qui devrait être mise dans le pneu dans des conditions de conduite normales.

Vérifier la pression des pneus

Il est important de vérifier la pression des pneus du véhicule au moins une fois par mois pour les raisons suivantes :

- La plupart des pneus peuvent naturellement perdre de l'air au fil du temps.
- Les pneus peuvent perdre soudainement de l'air si l'on passe sur un nid-de-poule ou un autre obstacle ou si le trottoir est heurté en se garant.
- Il n'est généralement pas possible de déterminer un sous-gonflage des pneus radiaux par une inspection visuelle.

Pour plus de commodité, acheter un manomètre de pression des pneus à conserver dans le véhicule. Les manomètres se trouvent chez les marchands de pneus, dans les magasins d'équipement automobile et dans d'autres points de vente au détail.

La pression de gonflage recommandée par les constructeurs automobiles correspond à la pression manométrique appropriée lorsqu'un pneu est froid. Le terme « froid » ne se rapporte pas à la température extérieure. Un pneu froid est plutôt un pneu qui n'a pas roulé pendant au moins trois heures.

Les pneus se réchauffent en roulant, ce qui fait augmenter la pression de l'air interne. Par conséquent, pour obtenir une lecture précise de la pression des pneus, il est nécessaire de mesurer la pression lorsque les pneus sont froids ou de compenser la pression supplémentaire causée par des pneus chauds.

Étapes à suivre pour maintenir une pression adéquate des pneus

- Étape 1 : Repérer la pression recommandée sur la plaque d'information sur les pneus du véhicule, sur l'étiquette de certification ou dans le manuel du propriétaire.
- Étape 2 : Noter la pression de tous les pneus.
- Étape 3 : Si la pression est trop élevée dans l'un des pneus, libérer lentement l'air en appuyant doucement sur la tige de la valve du pneu avec l'extrémité du manomètre jusqu'à ce que la pression adéquate soit atteinte.
- Étape 4 : Si la pression du pneu est trop basse, noter la différence entre la pression mesurée et la pression adéquate du pneu. Il faudra ajouter ces livres de pression « manquantes ».
- Étape 5 : À une station-service, ajouter les livres de pression d'air manquantes à chaque pneu qui est sous-gonflé.
- Étape 6 : Vérifier tous les pneus pour s'assurer que leur pression d'air est la même (sauf dans les cas où la pression des pneus avant et arrière est censée être différente).

Si le véhicule a été utilisé et qu'un pneu semble sous-gonflé, le gonfler à la pression de gonflage à froid recommandée indiquée sur la plaque d'information ou l'étiquette de certification des pneus du véhicule. Bien que le pneu puisse être encore légèrement sous-gonflé en raison de la pression supplémentaire causée par un pneu chaud, il est plus sécuritaire de conduire avec une pression légèrement inférieure à la pression de gonflage à froid recommandée par le constructeur du véhicule que de conduire avec un pneu nettement sous-gonflé. Comme il s'agit d'une solution temporaire, ne pas oublier de vérifier et d'ajuster la pression du pneu lorsqu'il est possible d'obtenir une lecture à froid.

Dimensions des pneus

Pour préserver la sécurité des pneus, acheter des pneus neufs aux mêmes dimensions que ceux d'origine du véhicule ou d'autres dimensions recommandées par le fabricant. Pour trouver ces informations, examiner la plaque d'information sur les pneus, le manuel du propriétaire ou le flanc du pneu remplacé. En cas de doute sur les dimensions à choisir, consulter le détaillant de pneus.

Bande de roulement

La bande de roulement assure l'adhérence et la traction qui empêchent le véhicule de glisser ou de dérapier, surtout lorsque la route est mouillée ou glacée. En général, les pneus ne sont pas sécuritaires et ils doivent être remplacés lorsque la bande de roulement est usée à 1/16 de pouce. Les pneus comportent des indicateurs d'usure intégrés qui indiquent quand il est temps de les remplacer. Ces indicateurs sont des sections en relief espacées par intermittence dans le fond des rainures de la bande de roulement. Lorsqu'ils semblent « égaux » avec l'extérieur de la bande de roulement, il est temps de remplacer les pneus. Une autre méthode pour vérifier la profondeur de sculpture consiste à placer une pièce d'un cent dans la bande de roulement avec la tête de la reine à l'envers et face à soi. Si le sommet de la tête de la reine est visible, il est temps de changer les pneus.

Équilibrage des pneus et réglage de la géométrie

Un pneu doit être adéquatement équilibré pour éviter les vibrations ou les secousses du véhicule. Cet équilibre est obtenu en positionnant des poids sur la roue pour contrebalancer les points lourds de l'ensemble roue-pneu. Le réglage de la géométrie des roues permet d'ajuster leurs angles afin qu'elles soient positionnées exactement par rapport au châssis du véhicule. Ce réglage permet de maximiser la durée de vie des pneus. Ces réglages nécessitent un équipement spécialisé et ils doivent être effectués par un technicien qualifié.

Réparations des pneus

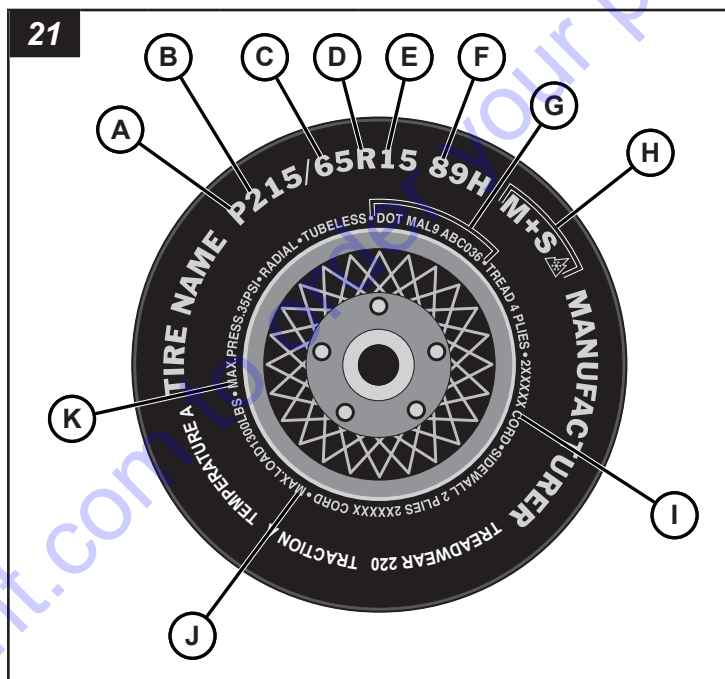
La réparation adéquate d'un pneu crevé nécessite un bouchon pour le trou et une pièce pour la zone qui entoure le trou de crevaison à l'intérieur du pneu. Si les crevaisons dans la bande de roulement peuvent être réparés si elles ne sont pas trop importantes, celles sur le flanc ne devraient pas être réparées. Les pneus doivent être retirés de la jante pour être convenablement inspectés avant de boucher et de réparer la crevaison.

Éléments fondamentaux des pneus

La loi fédérale oblige les fabricants de pneus à placer des informations standardisées sur le flanc de tous les pneus. Ces informations décrivent les caractéristiques fondamentales du pneu et indiquent un numéro d'identification du pneu pour la certification des normes de sécurité et en cas de rappel.

Informations sur les pneus des véhicules de tourisme

Se référer à la Figure 21 et aux informations suivantes.



A- La lettre « P » indique que le pneu est destiné aux véhicules de tourisme.

B- Ce nombre à trois chiffres indique la largeur en millimètres du pneu d'un bord à l'autre du flanc. En règle générale, plus le nombre est élevé, plus le pneu est large.

C- Ce nombre à deux chiffres, connu sous le nom de rapport d'aspect, donne le rapport entre la hauteur et la largeur du pneu. Un nombre de 70 ou moins indique que la paroi latérale est courte, ce qui se caractérise par une meilleure réponse de la direction et une maniabilité générale accrue sur chaussée sèche.

D- « R » signifie radial. La construction de pneus à carcasse radiale est la norme de l'industrie depuis 20 ans.

E- Ce nombre à deux chiffres est le diamètre de la roue ou de la jante en pouces. Si la taille de la roue est changée, il est nécessaire d'acheter de nouveaux pneus pour qu'ils correspondent à ce nouveau diamètre.

F- (Nombre) Ce nombre à deux ou à trois chiffres est l'indice de charge du pneu. Il s'agit d'une mesure du poids que chaque pneu peut supporter. Ces informations se trouvent dans votre manuel du propriétaire. Dans le cas contraire, contacter le détaillant de pneus. *Remarque : Ces informations ne se trouvent pas nécessairement sur tous les pneus, car elles ne sont pas exigées par la loi.*

(Lettre) L'indice de vitesse indique la vitesse à laquelle un pneu est conçu pour être conduit pendant de longues périodes. Les vitesses varient de 99 mi/h à 186 mi/h. Ces cotes sont énumérées ci-dessous. *Remarque : Ces informations ne se trouvent pas nécessairement sur tous les pneus, car elles ne sont pas exigées par la loi.*

Letter Rating	Speed Rating
Q	99 mph
R	106 mph
S	112 mph
T	118 mph
U	124 mph
H	130 mph
V	168 mph*
Y	186 mph*

*Note: For tires with a maximum speed capability over 149 mph, tire manufacturers sometimes use the letters ZR. For those with a maximum speed capability over 186 mph, tire manufacturers always use the letters ZR.

G- Numéro d'identification U.S. DOT. Il commence par les lettres « DOT » et indique que le pneu est conforme à toutes les normes fédérales américaines. Les deux chiffres ou lettres suivants sont le code de l'usine où il a été fabriqué et les quatre derniers chiffres représentent la semaine et l'année de fabrication du pneu. Par exemple, les chiffres 3197 signifient la 31^e semaine de 1997. Les autres numéros sont des codes de commercialisation utilisés à la discrétion du fabricant. Ces informations sont utilisées pour contacter les consommateurs au cas où une défectuosité du pneu nécessiterait un rappel.

H- « M+S » ou « M/S » indique que le pneu peut être utilisé dans la boue et la neige dans une certaine mesure. La plupart des pneus radiaux portent ces marquages et ils peuvent donc être utilisés dans la boue et la neige dans une certaine mesure.

I- Composition des plis du pneu et matériaux utilisés. Le nombre de plis indique le nombre de couches de caoutchouc dans le pneu. En général, plus le nombre de plis est important, plus un pneu peut supporter de poids. Les fabricants doivent également indiquer les matériaux qui composent le pneu, qui comprennent l'acier, le nylon, le polyester et autres.

J - Capacité de charge maximale. Ce nombre indique la charge maximale en kilogrammes et en livres qui peut être supportée par le pneu.

K - Pression de gonflage maximale autorisée. Ce nombre représente la pression d'air la plus élevée qui devrait être mise dans le pneu dans des conditions de conduite normales.

Classement uniformisé de la qualité du pneu (uniform tire quality grading, UTQGS)

Les catégories de qualité se trouvent, le cas échéant, sur le flanc du pneu, entre l'épaulement de la bande de roulement et la largeur de section maximale. Par exemple :

TREADWEAR 200 TRACTION AA (USURE DE LA BANDE DE ROULEMENT 200, TRACTION AA)

Température A

Tous les pneus de voitures de tourisme doivent être conformes aux exigences fédérales en matière de sécurité, en plus de ces catégories

Usure de la bande de roulement

Le classement de l'usure de la bande de roulement est une évaluation comparative basée sur le taux d'usure du pneu lorsqu'il est testé dans des conditions contrôlées sur un parcours d'essai gouvernemental spécifié. Par exemple, un pneu classé 150 s'userait une fois et demie (1 1/2) plus vite sur le parcours du gouvernement qu'un pneu classé 100. Les performances relatives des pneus dépendent toutefois des conditions réelles de leur utilisation et peuvent différer sensiblement de la norme en raison des variations des habitudes de conduite, de l'utilisation et des différences dans les caractéristiques des routes et du climat.

Traction

Les classements de traction, du plus élevé au plus bas, sont AA, A, B et C. Ils représentent la capacité du pneu à s'arrêter sur une chaussée mouillée, comme mesuré dans des conditions contrôlées sur des surfaces d'essai d'asphalte et de béton spécifiées par le gouvernement. La performance en matière de traction d'un pneu marqué d'un C peut être mauvaise.

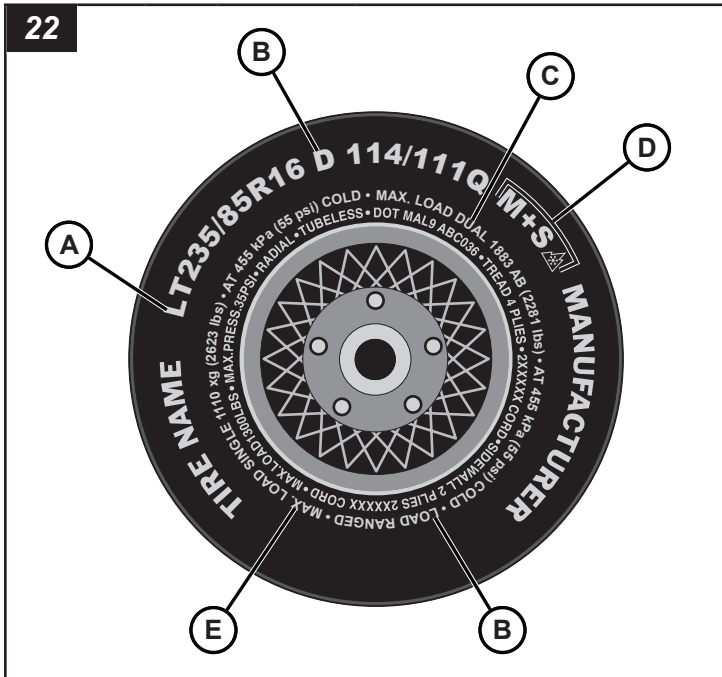
Avertissement : Le classement de traction attribué à ce pneu est basé sur des essais de traction en freinage en ligne droite sans tenir compte de l'accélération, du virage, de l'hydroplanage ou de la traction de pointe.

Température

Les classements de température sont A (le plus élevé), B et C, représentant la résistance du pneu à la production de chaleur et sa capacité à dissiper la chaleur lorsqu'il est testé dans des conditions contrôlées sur une roue d'essai en laboratoire intérieur précis. Une température élevée soutenue peut provoquer la dégénérescence du matériau du pneu et réduire sa durée de vie; une température excessive peut entraîner une défaillance soudaine du pneu. La classe C correspond à une performance que tous les pneus de voitures de tourisme doivent atteindre en vertu de la norme fédérale de sécurité automobile numéro 109. Les classements B et A représentent une performance plus élevée sur la roue d'essai de laboratoire que le minimum exigé par la loi. *Avertissement : Le classement de température est établi pour un pneu convenablement gonflé et non surchargé. Une vitesse excessive, un sous-gonflage ou une charge excessive, séparément ou en combinaison, peuvent provoquer une accumulation de chaleur et une éventuelle défaillance du pneu.*

Informations complémentaires sur les pneus de camions légers

Les pneus des camions légers comportent d'autres marquages que ceux trouvés sur les flancs des pneus des voitures de tourisme. Voir la Figure 22 et les informations qui suivent.



A– « LT » indique que le pneu est conçu pour les camions légers. « ST » indique que le pneu est conçu pour les remorques seulement.

B– Capacité de charge. Ces renseignements permettent de connaître les capacités de charge du pneu et ses limites de gonflage.

C– Charge maximale avec roues jumelées. Ces informations indiquent la charge et la pression maximales des pneus lorsqu'ils sont utilisés de manière jumelée, c'est-à-dire, lorsque quatre pneus sont posés sur chaque essieu arrière (total de six pneus ou plus sur le véhicule).*

D– « M+S » ou « M/S » indique que le pneu peut être utilisé dans la boue et la neige dans une certaine mesure. La plupart des pneus radiaux portent ces marquages et ils peuvent donc être utilisés dans la boue et la neige dans une certaine mesure.

E – Cette information indique la charge et la pression maximales des pneus sur roues simples*.

*Remarque : La charge maximale est présentée en kilogrammes et en livres (kg/lb). La pression maximale du pneu est présentée en kilopascals et en livres par pouce carré (kPa et lb/po²) lorsque le pneu est froid.

Conseils de sécurité en matière de pneus

Prévenir les dommages aux pneus

- Ralentir s'il est nécessaire de passer par-dessus un nid-de-poule ou un autre obstacle sur la route.
- Ne pas rouler sur les trottoirs ou autres objets étrangers sur la chaussée et essayer de ne pas heurter le trottoir lorsque l'on doit se garer.

Liste de contrôle pour la sécurité des pneus

- Vérifier la pression des pneus régulièrement (au moins une fois par mois), y compris celle de la roue de secours.
- Inspecter les pneus à la recherche de fissures, de corps étrangers, d'usure inégale de la bande de roulement ou d'autres signes d'usure ou de traumatisme.
- Retirer les morceaux de verre et les objets étrangers coincés dans la bande de roulement.
- Vérifier que les vannes des pneus sont munies de bouchons.
- Vérifier la pression des pneus avant de partir pour un long voyage.
- Ne pas surcharger le véhicule. Vérifier sur la plaquette d'information sur les pneus ou dans le manuel du propriétaire la charge maximale recommandée pour le véhicule.

Addenda – Options des unités

Débranchement de la batterie

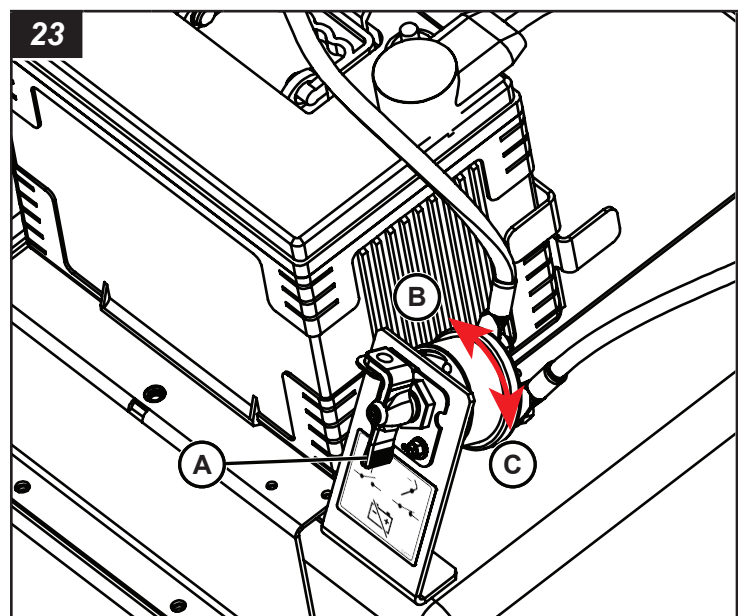
Le débranchement facultatif de la batterie permet un débranchement pratique et sans outils de cette dernière tandis que l'unité est rangée ou lorsqu'elle n'est pas utilisée, ou pour prévenir une utilisation non autorisée de l'unité.

Pour débrancher la batterie :

1. Mettre l'interrupteur (A, Figure 23) à la position de débranchement (B, Figure 23).
2. Un cadenas (non fourni) peut être utilisé pour plus de sécurité.

Pour brancher la batterie :

1. Retirer le cadenas (le cas échéant).
2. Mettre l'interrupteur à la position de branchement (C, Figure 23).



Vanne d'arrêt d'urgence d'entrée d'air du moteur

Cette vanne d'arrêt d'urgence d'entrée d'air facultative ferme la vanne et éteint le moteur automatiquement en cas de survitesse et d'emballement.

Consulter le manuel de programmation Pacbrake PH3 pour en savoir plus sur le fonctionnement et la programmation.

AVERTISSEMENT

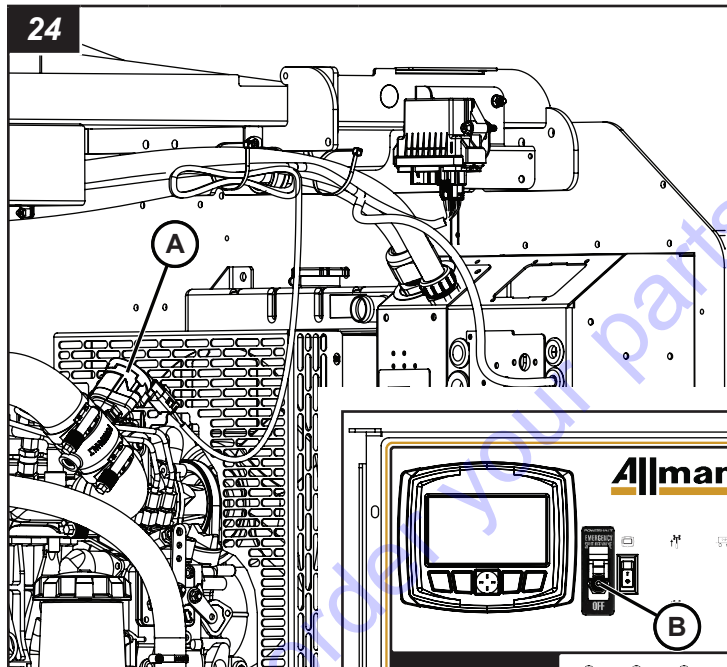
Si la vanne de fermeture d'urgence d'entrée d'air a éteint le moteur, quitter la zone immédiatement et respecter les instructions et les procédures de sécurité pour votre chantier. Ne pas relancer ni démarrer la machine tant que la source du problème n'a pas été identifiée et qu'une solution n'a pas été trouvée.

Fonctionnement en mode Auto

1. S'il y a survitesse et emballement du moteur, le contrôleur détecte le problème et ferme la vanne d'arrêt d'urgence d'entrée d'air (A, Figure 24) et éteint le moteur automatiquement.
2. La vanne d'arrêt reste fermée pendant 15 secondes et sera réinitialisée en position ouverte.
3. Déterminer la source du problème et le corriger.
4. Réinitialiser le contrôleur Deep Sea en faisant basculer le commutateur MARCHE/ARRÊT du tableau de commande du moteur en position « ARRÊT », puis de nouveau en position « MARCHE ». Consulter la section **Utilisation du moteur** pour les procédures de fonctionnement du moteur.

Fonctionnement en mode manuel/test

1. Appuyer sur le commutateur à bascule de la vanne d'arrêt d'urgence (B, Figure 24) (position « ARRÊT ») pour fermer la vanne.
2. Lâcher le commutateur de vanne d'arrêt d'urgence (position « MARCHE ») pour réinitialiser la vanne en position ouverte.
3. *Mode manuel* : Déterminer la source du problème et le corriger.
Mode test : Vérifier la fonctionnalité de la vanne.
4. Réinitialiser le contrôleur Deep Sea en faisant basculer le commutateur MARCHE/ARRÊT du tableau de commande du moteur en position « ARRÊT », puis de nouveau en position « MARCHE ». Consulter la section **Utilisation du moteur** pour les procédures de fonctionnement du moteur.



Arrêt d'urgence

Certains appareils sont dotés d'un arrêt d'urgence qui arrête immédiatement tout l'appareil en cas d'urgence.

Pour activer :

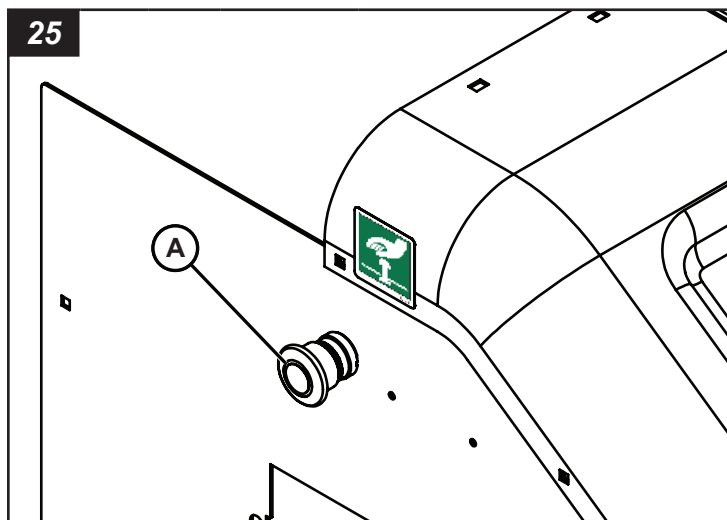
- Appuyer sur l'arrêt d'urgence (A, Figure 25).

Pour désactiver :

- Tirer sur l'arrêt d'urgence.

S'assurer que vous prenez en charge le problème qui a causé l'urgence avant de faire fonctionner l'appareil de nouveau.

L'utilisation superflue ou excessive de l'arrêt d'urgence peut endommager le moteur ou les appareils de chauffage. Ne pas utiliser l'arrêt d'urgence pour arrêter l'appareil en cours de fonctionnement normal. Consulter la section **Arrêt de l'appareil**.



Chauffe-moteurs

Les chauffe-moteurs sont sur des remorques à tour d'éclairage équipées d'ensembles Arctique en option. Le chauffe-moteur style bouchon de chemise d'eau compte l'ensemble Arctique alors que le chauffe-moteur diesel compte l'ensemble Arctique maximal.

Chauffe-moteur style bouchon de chemise d'eau

La remorque à tour d'éclairage peut être équipée d'un chauffe-moteur électrique contre le gel de 400 W, 3,3 A, 120 V, 60 Hz. Utiliser une rallonge avec mise à la masse (3 lames) pour brancher la fiche du chauffe-moteur à une source électrique adéquate.

Le chauffe-moteur est situé du côté droit lorsqu'on regarde du côté du ventilateur.

Chauffe-moteur diesel

La remorque à tour d'éclairage peut être équipée d'un chauffe-moteur diesel Webasto Thermo Top Evo en option. Ce chauffe-moteur utilise le diesel pour faire chauffer un échangeur de chaleur qui, à son tour, fait chauffer le liquide de refroidissement dans le chauffe-moteur grâce à un système de tuyaux de chauffe-moteur de liquide de refroidissement d'admission et de sortie.

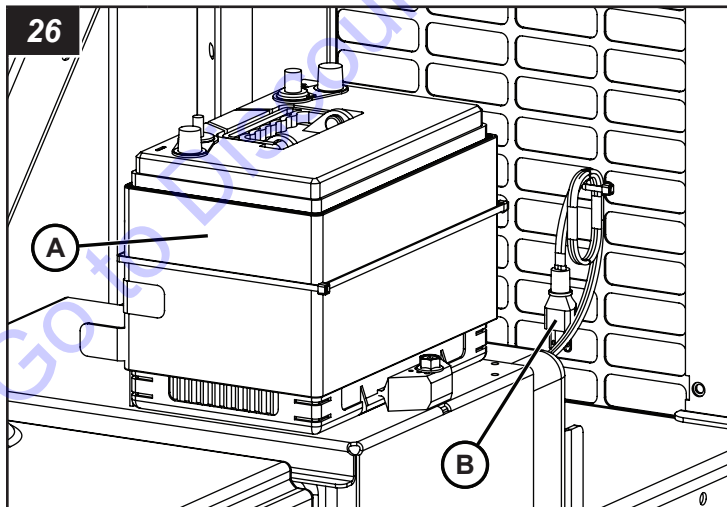
Le paramètres de température et de temps du chauffe-moteur diesel sont commandés par un contrôleur Deep Sea. Voir le manuel d'utilisation Deep Sea pour en savoir plus sur la façon de régler ces paramètres.

Chauffe-batterie

Le chauffe-batterie (A, Figure 26) garde la batterie réchauffés pendant que l'appareil est entreposé ou non utilisé.

Le chauffe-batterie devrait être utilisé quand l'appareil est entreposé ou non utilisé sous 32° F (0° C).

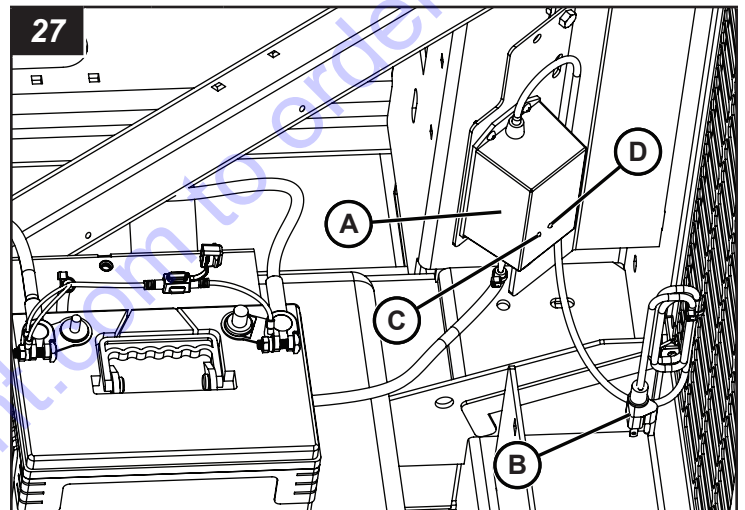
1. Brancher l'extrémité mâle du cordon d'alimentation (B, Figure 26) dans une sortie 120 V standard.
2. Débrancher le chauffe-bloc/chauffe-moteur avant de mettre l'appareil en service.



Chargeur de batterie

El cargador de batería (A, Figura 27) mantiene la batería cargada mientras la unidad está almacenada o no se encuentra en uso.

1. Enchufe el extremo macho del cable (B, Figura 27) de alimentación a un tomacorriente estándar de 120 V.
2. La luz roja (C, Figura 27) en el módulo del cargador de batería, ubicada en la sección delantera izquierda del compartimento del motor (consulte la Figura 34), indica que la batería se está cargando. La luz verde (D, Figura 27) indica la carga completa. (El cargador de batería puede permanecer enchufado después de que la batería alcance la carga completa sin dañar la batería).
3. Desenchufe el cargador de batería antes de poner la unidad en funcionamiento.



PARTS FINDER

**Search Website
by Part Number**



**Search Manual
Library For Parts
Manual & Lookup Part
Numbers – Purchase
or Request Quote**

Search Manuals

Enter your information to help us find the right parts manual for your machine.

* Brand:

* Model:

* Serial:

* Part Number:

SEARCH

**Can't Find Part or
Manual? Request Help
by Manufacturer,
Model & Description**

Parts Order Form

Please fill in the following information to help us find the right part for your machine.

Manufacturer:	<input type="text"/>
Model:	<input type="text"/>
Description:	<input type="text"/>
Part Number:	<input type="text"/>
Quantity:	<input type="text"/>
Notes:	<input type="text"/>

Discount-Equipment.com is your online resource for quality parts & equipment.

Florida: **561-964-4949** Outside Florida TOLL FREE: **877-690-3101**

Need parts?

Click on this link: <http://www.discount-equipment.com/category/5443-parts/> and choose one of the options to help get the right parts and equipment you are looking for. Please have the machine model and serial number available in order to help us get you the correct parts. If you don't find the part on the website or on one of the online manuals, please fill out the request form and one of our experienced staff members will get back to you with a quote for the right part that your machine needs.

We sell worldwide for the brands: Genie, Terex, JLG, MultiQuip, Mikasa, Essick, Whiteman, Mayco, Toro Stone, Diamond Products, Generac Magnum, Airman, Haulotte, Barreto, Power Blanket, Nifty Lift, Atlas Copco, Chicago Pneumatic, Allmand, Miller Curber, Skyjack, Lull, Skytrak, Tsurumi, Husquvarna Target, Stow, Wacker, Sakai, Mi-T-M, Sullair, Basic, Dynapac, MBW, Weber, Bartell, Bennar Newman, Haulotte, Ditch Runner, Menegotti, Morrison, Contec, Buddy, Crown, Edco, Wyco, Bomag, Laymor, EZ Trench, Bil-Jax, F.S. Curtis, Gehl Pavers, Heli, Honda, ICS/PowerGrit, IHI, Partner, Imer, Clipper, MMD, Koshin, Rice, CH&E, General Equipment, Amida, Coleman, NAC, Gradall, Square Shooter, Kent, Stanley, Tamco, Toku, Hatz, Kohler, Robin, Wisconsin, Northrock, Oztec, Toker TK, Rol-Air, APT, Wylie, Ingersoll Rand / Doosan, Innovatech, Con X, Ammann, Mecalac, Makinex, Smith Surface Prep, Small Line, Wanco, Yanmar