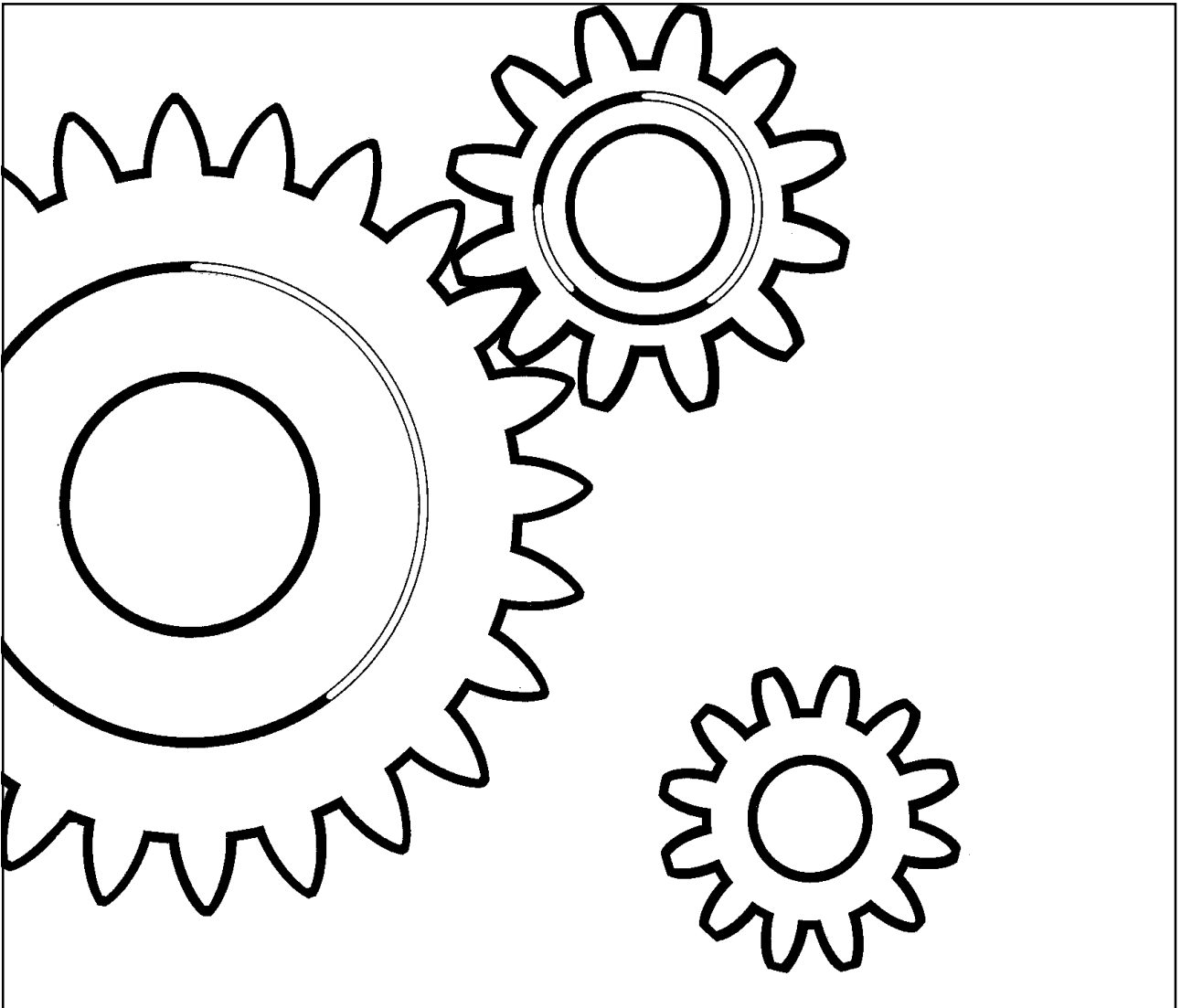


DYNAPAC
LF 82
SPARE PARTS
CATALOGUE

SLF082-1EN4



DYNAPAC

Part of the Atlas Copco Group

Forward Vibratory Plate Compactor

LF82

Spare Parts Catalogue

SLF082-1EN4

Engines:

Honda GX160K1SX

Honda G200SAT (former version)

Honda G200SAM4 (former version)

Published catalogue issues valid for these plate compactors:

<i>Catalogue</i>	<i>Issue date</i>	
<i>SLF082EN1</i>	<i>1998 - 05</i>	<i>Replaced by SLF020-1EN2</i>
<i>SLF082-1EN2</i>	<i>1999 - 06</i>	<i>Replaced by SLF082-1EN3</i>
<i>SLF082-1EN3</i>	<i>2006 - 07</i>	<i>Replaced by SLF082-1EN4</i>
<i>SLF082-1EN4</i>	<i>2008 - 09</i>	



PÄRMETIKETT

För att undvika fel vid reservdelsbeställning finns här nedan två etiketter som passar i fickorna på pärmarnas ryggar. På dessa kan man se från vilket vältnummer av aktuell maskin reservdelskatalogen gäller. Gör så här:

1. Tag denna sida ur pärmen.
2. Klipp ut etiketten till **VÄNSTER** (1) och sätt in den i fickan på **DENNA** pärmens rygg.
3. Finns det en etikett till **HÖGER** (2), kan denna användas på pärmen för **FÖREGÅENDE** utgåva av denna katalog.
4. Kasta detta papper.

KATALOG-BESCHRIFTUNG

Zur Vermeidung von Fehlern bei der Ersatzteilbestellung benutzen Sie bitte die unteren Beschriftungen, um die Kataloge auf der Rückseite zu kennzeichnen. Auf der Beschriftung ist angegeben, für welche Maschinennummern der jeweilige Katalog gültig ist. Ablauf:

1. Nehmen Sie dieses Blatt aus dem Katalog.
2. Schneiden Sie die **LINKE** Beschriftung (1) aus. Schieben Sie die Beschriftung in die tasche auf **DEM** Katalogrücke.
3. Sollte die Beschriftung unten **RECHTS** (2) mitgeliefert werden, kennzeichnen Sie damit bitte die **ÄLTERE** Ausführung dieses Kataloges.
4. Den Rest dieses Blattes bitte vernichten.

ETIQUETA PARA LA CARPETA

Para evitar errores al pedir repuestos utilicen las etiquetas abajo descritas para identificar los catálogos en la parte trasera de la carpeta. En la etiqueta se ven los números de referencia de la serie para la cual es válido el catálogo. Instrucciones:

1. Quitar esta página de la carpeta.
2. Corta la etiqueta **IZQUIERDA** (1) y ponerla en **ESTA** carpeta en la parte trasera.
3. Si hay una etiqueta en la parte **DERECHA** (2) se puede utilizar en la carpeta para el catálogo que **PRECEDE** a esta.
4. Tirar esta hoja.

BINDER LABEL

To avoid errors when ordering spare parts use the labels below to identify the catalogues on the back of the binder. The label contain the serial number range for which the catalogue is valid. Do like this:

1. Remove this page from the binder.
2. Cut out the **LEFT** label (1) and put it on **THIS** binders back.
3. If there is a label to the **RIGHT** (2), it can be used on the binder for **PRECEDING** issue of this catalogue.
4. Throw away this paper.

ETICHETTAPOSTASULRACCOGLITORE

Per evitare errori quando ordinate pezzi di ricambio, usate le etichette in calce che servono ad identificare i cataloghi sul retro del raccoglitore. L'etichetta indica il numero di matricola delle macchine prese in considerazione nel catalogo.

1. Rimuovete questa pagina dal raccoglitore.
2. Ritagliate l'etichetta posta a **SINISTRA** (1) e ponetela sul retro **DEL** raccoglitore.
3. Se trovate anche un'etichetta sulla **DESTRA** (2), ritagliatela e ponetela sul raccoglitore relativo alla **PRECEDENTE** edizione del catalogo.
4. Distruggete questo foglio.

ETIQUETAGE DU CATALOGUE

Afin d'éviter des erreurs lors de commandes de pièces de rechange, nous vous conseillons d'apposer les marquages ci-dessous à l'arrière du classeur, pour identifier les catalogues. Ce marquage indique les numéros de série pour lesquels le catalogue est adapté. Il convient de procéder de la façon suivante:

1. Retirez cette page du classeur.
2. Découpez l'étiquette de **GAUCHE** (1), et apposez-la à l'arrière de **CE** catalogue.
3. Si il y a une étiquette à **DROITE** (2), vous pourrez l'apposer sur le classeur de l'édition **PRECEDENTE** du catalogue.
4. Détruire cette feuille.

1.



TABLE OF CONTENTS

Page

LF82	2
Engine plate and ground plate	4
Engine plate and ground plate	6
Sprinkler system	8
Option, transport device	10
Eccentric element	12
Eccentric element	14
Engine	16
380306 Engine Honda G200 SA3T Up to 28200520	18
380306 Engine Honda G200 SAM4 From 28200521 Up to 28200536	20
380306 Engine Honda G200 SA3T From 28200537 Up to 28200761	18
380306 Engine Honda G200 SAM4 From 28200762	20
Petrol engine Honda GX160 K1SX	22
Transmission	24
Power transmission	26
Handle	28
Option, Vibration damped handle	30
Decals and documentation	32
Decals and documentation	34



LF82

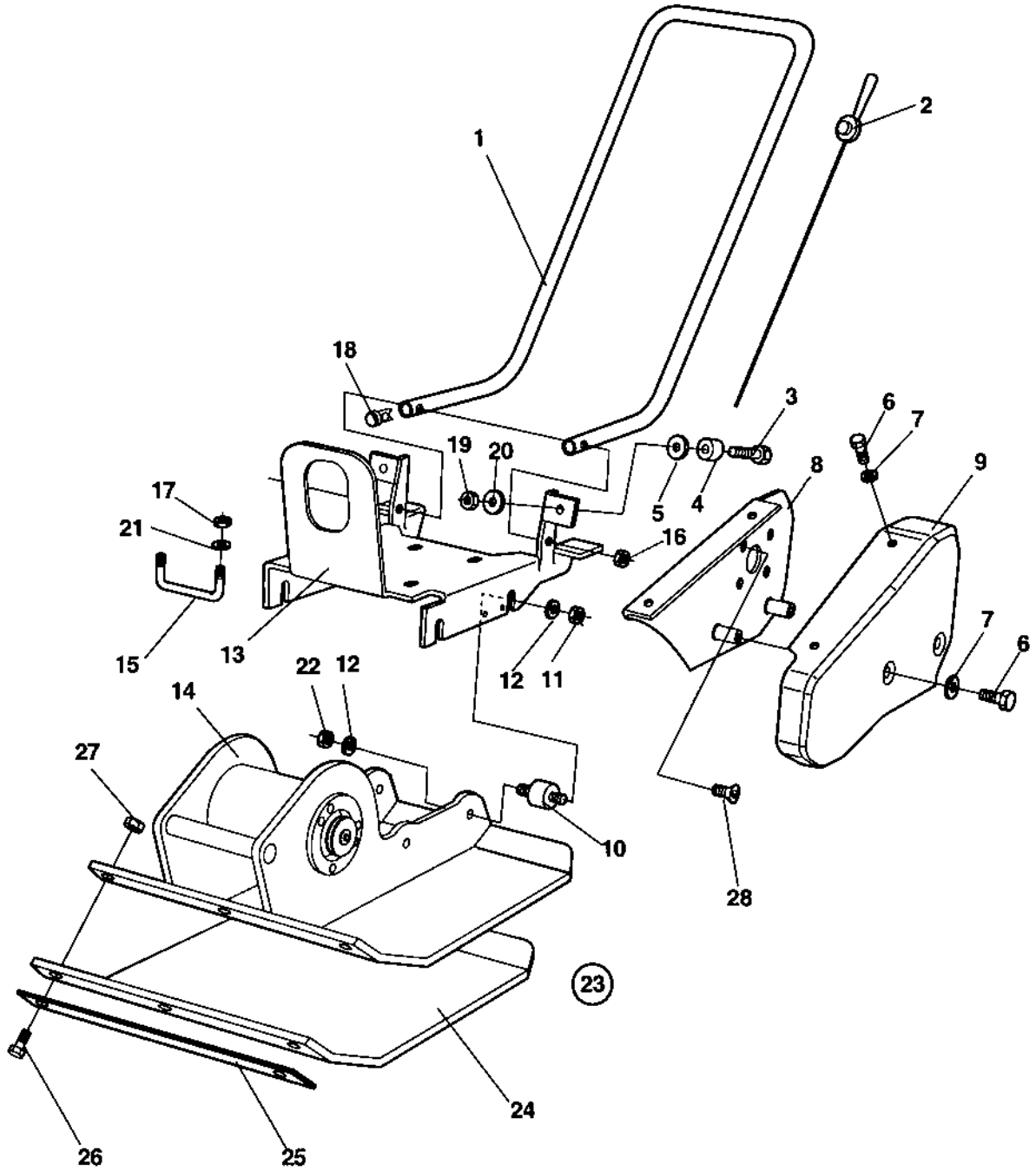
Ref. No.	Part No.	Rem. Qty	Description	Code
10			Engine plate and ground plate (Page 4)	
20			Eccentric element (Page 12)	
30			Engine (Page 16)	
40			Transmission (Page 24)	
70			Handle (Page 28)	
80			Decals and documentation (Page 32)	

Engine plate and ground plate

Ref. No.	Part No.	Rem.	Qty	Description	Code
10				Engine plate and ground plate (Page 6)	
20				Sprinkler system (Page 8)	
30				Option, transport device (Page 10)	

Engine plate and ground plate

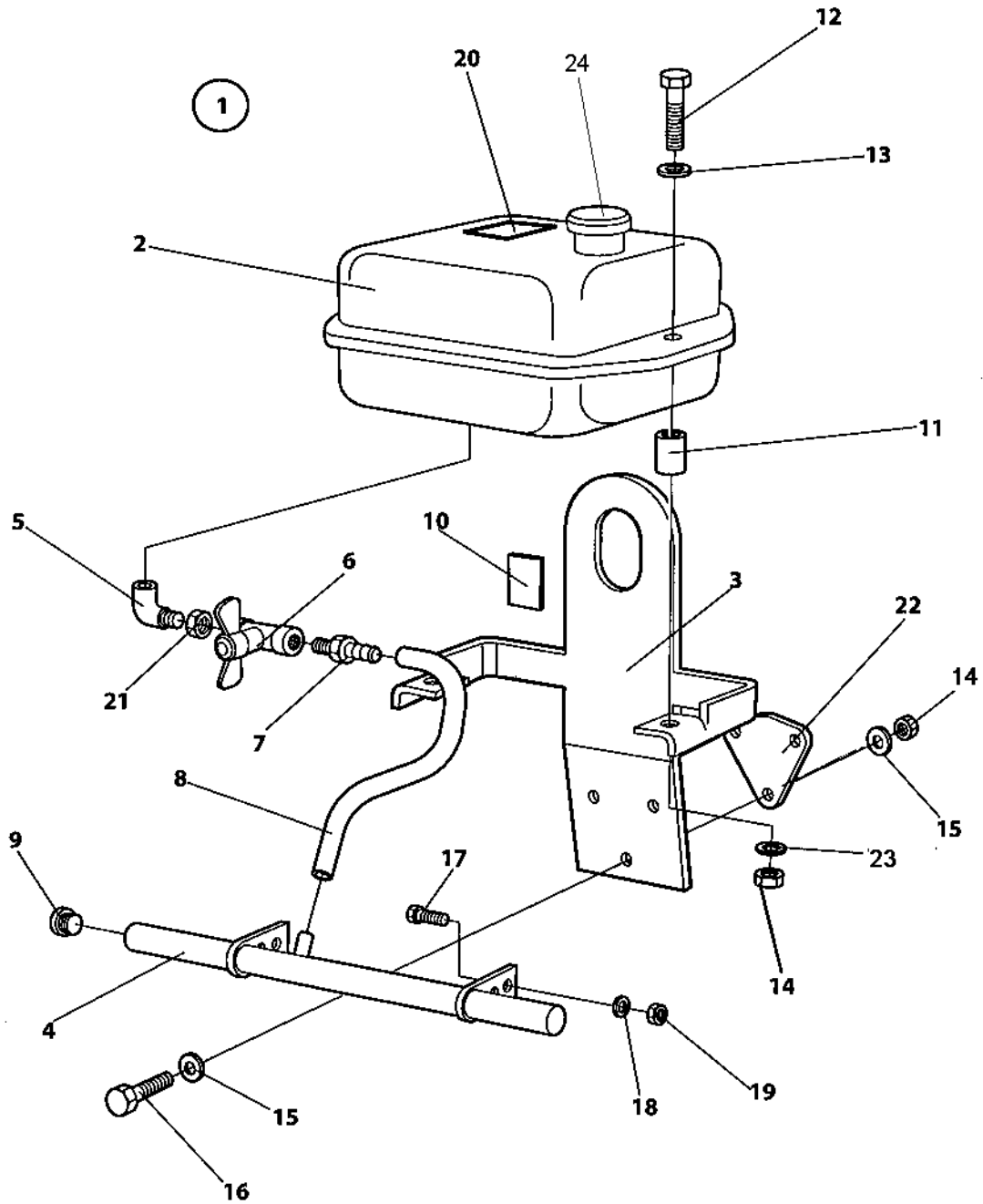
16482-2



Engine plate and ground plate

Ref. No.	Part No.	Rem.	Qty	Description	Code
1	282541		1	Handle	
2	284547	B	1	Throttle controls Up to 28203199	
3	791322		2	Screw	
4	282561		2	Spacer	
5	904567		2	Washer	10,5x28x6 HB305
6	500505		4	Screw	M8x20 8.8
7	904229	E	2	Washer	
8	386147		1	Belt guard, inner	
9	386269		1	V-belt guard	
10	282547		4	Shock absorber	
11	586018		4	Lock nut	
12	904230		8	Washer	
13	282545		1	Engine plate	
14		A	1	Ground plate, cpl	
15	282078		2	U-clamp	
16	284544		2	Bushing , nylon	
17	586003		4	Lock nut	
18	282079		2	Bushing	
19	586002		2	Lock nut	
20	904228		2	Washer	
21	904229		4	Washer	
22	791172		4	Lock nut	
23		D	1	Polyurethane plate, cpl	
24			1	.Polyurethane plate	
25			1	.Bracket	
26			3	.Screw	
27			3	.Nut	
28	513009		4	Screw	
29	904640		2	Washer	

- A) See section eccentric element
- B) Used in old model
- D) Not valid for this model
- E) Used on old versions



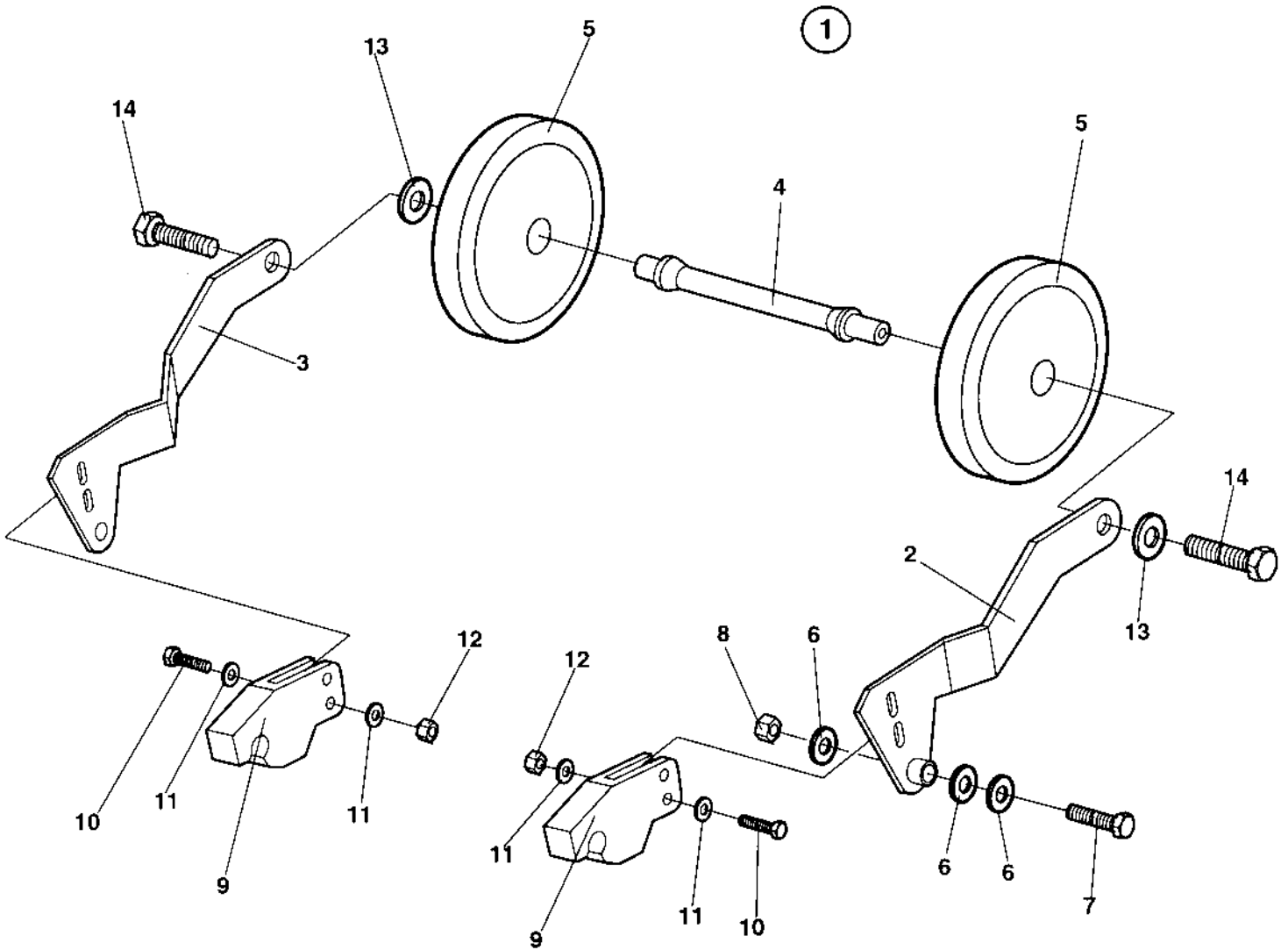
Sprinkler system

Ref. No.	Part No.	Rem.	Qty	Description	Code
1			1	Sprinkler system	
2	283634	A	1	.Tank	
	396065-02	B	1	.Tank	
3	282558		1	.Bracket	
4	380413		1	.Sprinkler pipe	
5	282569		1	.Connector	
6	282570		1	.Ball valve	
7	901650		1	.Nipple	
8	902160		1	.Plastic hose	
9	791424		2	.Plug	
10	281269		1	.Decal "LIFT"	
11	380942		2	.Spacer	
12	500026		2	.Screw	M8-1,25x60 8,8
13	904229		2	.Washer	
14	586003		5	.Lock nut	
15				Not used on this model	
16	500021		3	.Screw	
17	500015		4	.Screw	M6-1x30 8,8
18	904228		8	.Washer	
19	586002		4	.Lock nut	
20	271419		1	.Decal "WATER"	
21	232150		1	.Nut	
22				Not used on this model	
23	904556		2	.Washer	
24	239823	C	1	.Filler cap	
	950307	D	1	.Filler cap	

- A) Old version, replaced by 396065-02
- B) New version, complete with filler cap
- C) Old version, valid for tank 283634 with bayonet joint
- D) New version, valid for new tank 396065-02 with screw-in mount

Option, transport device

17565

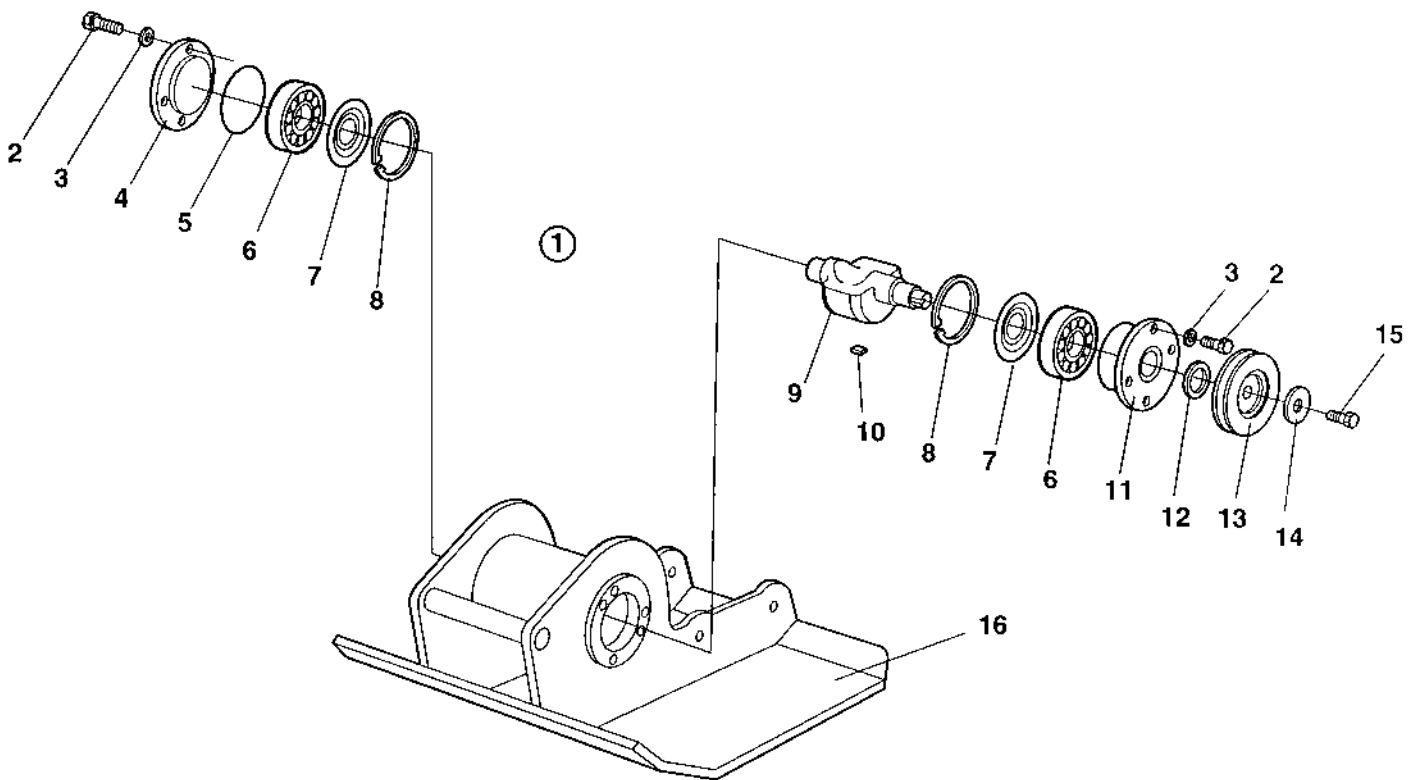


Option, transport device

Ref. No.	Part No.	Rem.	Qty	Description	Code
1			1	Transport device, cpl	
2	383578		1	.Arm left	
3	383583		1	.Arm right	
4	384812		1	.Shaft	
5	383582		2	.Wheel	
6	904230		6	.Washer	
7	500161		2	.Screw	
8	586018		2	.Lock nut	
9	383584		2	.Clip	
10	500087		4	.Screw	
11	904230		8	.Washer	
12	586001		4	.Lock nut	M5
13	904229		2	.Washer	
14	500021		2	.Screw	

Eccentric element

Ref. No.	Part No.	Rem.	Qty	Description	Code
10				Eccentric element (Page 14)	



Eccentric element

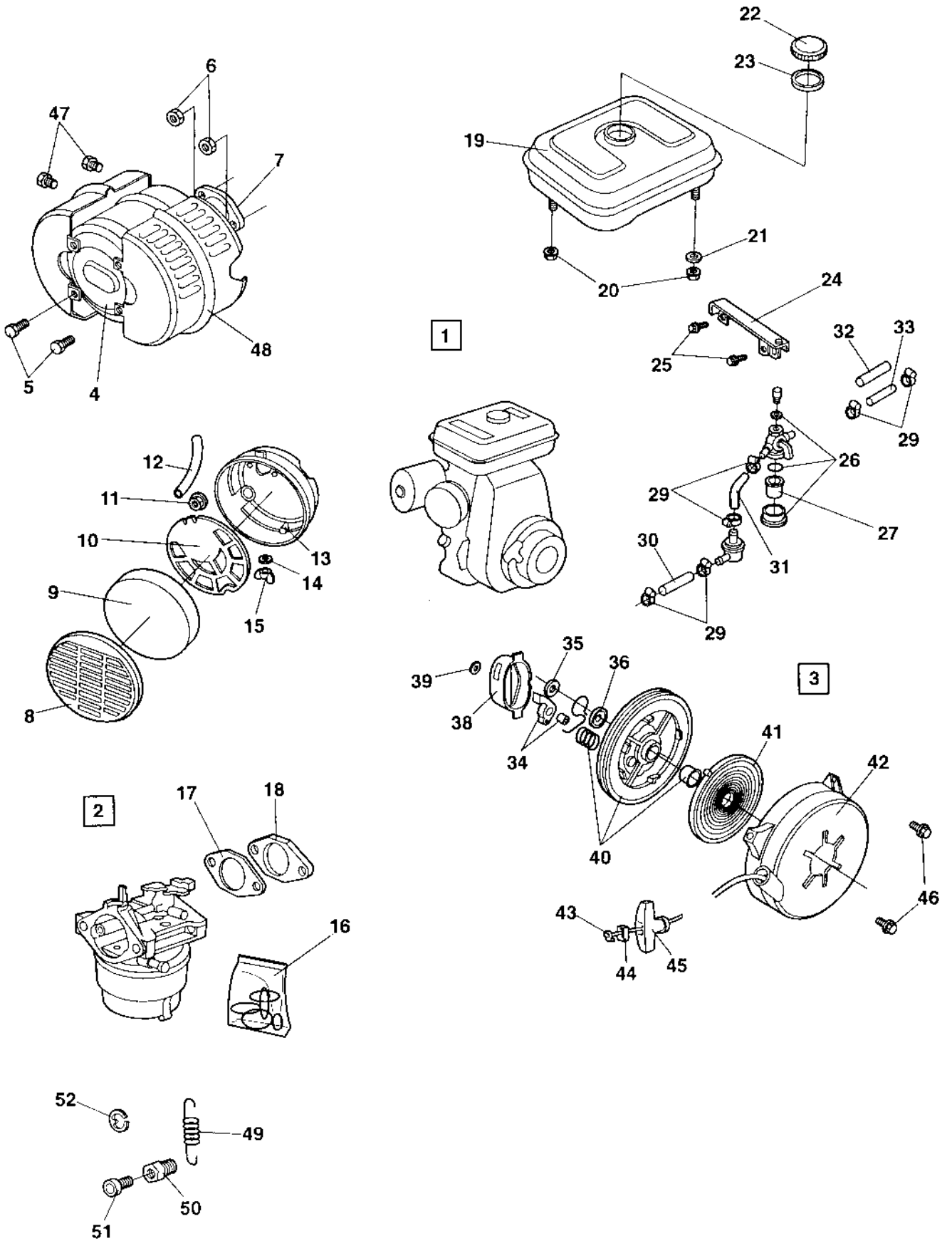
Ref. No.	Part No.	Rem.	Qty	Description	Code
1			1	Ground plate, cpl	
2	500013		8	.Screw	
3	904228		8	.Washer	
4	282157		1	.Cover	
5	160033		2	.O-ring	D
6	902005		2	.Bearing	D
7	903360		2	.Nilos ring	
8	151029		2	.Snap ring	D
9	390553		1	.Eccentric shaft	
10	351041		1	.Key	
11	282156		1	.Cover Up to 28210088	
	792112		1	.Seal ring From 28210089	
12	901654		1	.Seal ring	
13	284526		1	.Pulley	
14	901688		1	.Washer	
15	500053		1	.Screw	
16	384010		1	.Ground plate	

Engine

Ref. No.	Part No.	Rem. Qty	Description	Code
10			Engine Up to 28200520 (Page 18)	Honda G200 SA3T
14	380306		Engine From 28200521 Up to 28200536 (Page 18)	Honda G200 SAM4
16			Engine From 28200537 Up to 28200761 (Page 18)	Honda G200 SA3T
20	380306		Engine From 28200762 (Page 20)	Honda G200 SAM4
30			Petrol engine (Page 22)	Honda GX160 K1SX

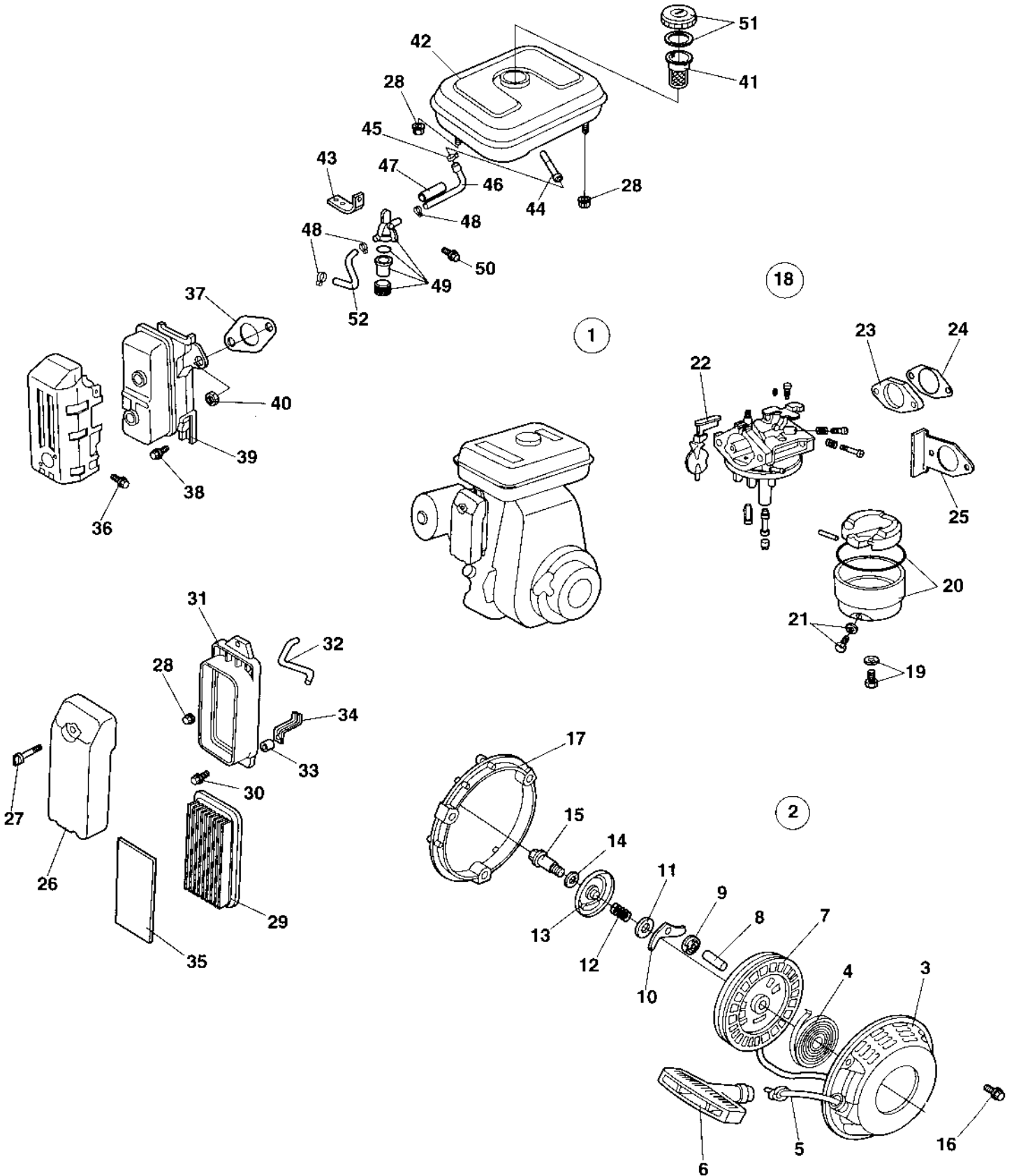
Engine Honda G200 SA3T

16481



Engine Honda G200 SA3T

Ref. No.	Part No.	Rem.	Qty	Description	Code
1	284532		1	Engine	
2	936497		1	Carburettor	
3	936498		1	Starter	
4	271986		1	Muffler	
5	936499		2	Screw	
6	936500		2	Nut	
7	936501		1	Gasket	
8	936502		1	Cover	
9	936503		1	Air filter	
10	936504		1	Grid	
11	936505		1	Nut	
12	936506		1	Tube	
13	936507		1	Holder	
14	936508		1	Washer	
15	239771		1	Nut	
16	936584		1	Gasket	
17	936509		1	Gasket	
18	936510		1	Isolation	
19	936511		1	Tank	
20	936512		3	Nut	
21	936513		2	Collar	
22	936514		1	Fuel cap	
23	936515		1	Gasket	
24	936516		1	Support	
25	936517		2	Screw	
26	936518		1	Gasket	
27	936519		1	Fuel strainer	
28	936520		1	Fuel tap	
29	936521		6	Clamp	
30	936522		1	Tube	
31	936523		1	Tube	
32	936524		1	Rubber support	
33	936525		1	Fuel hose	
34	936526		1	Spring	
35	936527		1	Lock nut	
36	936528		1	Friction plate	
37	936529		1	Spring	
38	936530		1	Cover	
39	936531		1	Nut	
40	936532		1	Reel	
41	936533		1	Spring return	
42	936534		1	Cover	
43	936535		1	Rope	
44	936536		1	Holder	
45	936537		1	Knob	
46	936538		3	Screw	
47	936539		2	Clamp	
48	936540		1	Cover	
49	936541		1	Spring	
50	936542		1	Holder	
51	239315		1	Screw	
52	239314		1	Circlip	

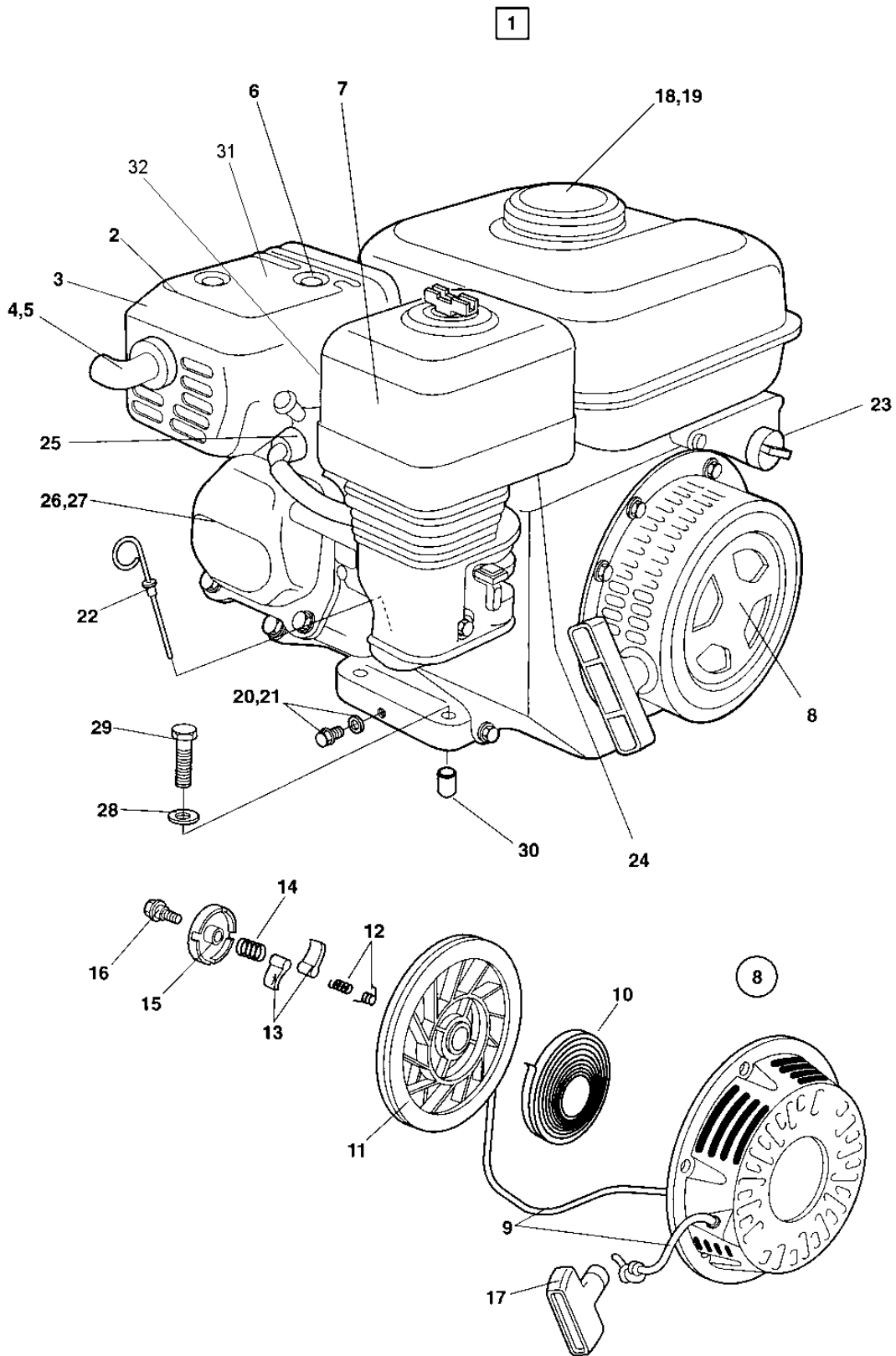


380306 Engine Honda G200 SAM4

Ref. No.	Part No.	Rem.	Qty	Description	Code
1			1	Engine	
2	937757		1	.Recoil starter, cpl	
3	937759		1	..Cover	
4	937767		1	..Spring	
5	937769		1	..Rope	
6	937768		1	..Knob	
7	937760		1	..Reel	
8	937762		1	..Shaft	
9	937763		1	..Grommet	
10	937761		1	..Ratchet	
11	937764		1	..Friction plate	
12	937766		1	..Spring	
13	937770		1	..Cover	
14	937765		1	..Friction plate	
15	937771		1	..Screw	
16	937772		3	.Screw	
17	937758		1	.Spacer	
18	937777		1	.Carburettor, cpl.	
19	937479		1	..Screw	
20	937773		1	..Chamber set	
21	937678		1	...Screw	
22	937776		1	..Choke set	
23	936510		1	.Isolation	
24	937779		1	.Gasket	
25	937780		1	.Gasket	
26	937786		1	.Casing	
27	937788		1	.Screw	
28	936512		2	.Nut	
29	937782		1	.Air filter element	
30	937789		1	.Screw	
31	939596		1	.Holder	
32	937781		1	.Hose	
33	937787		1	.Collar	
34	937785		1	.Bracket	
35	937783		1	.Air filter element	
36	936538		1	.Screw	
37	936501		1	.Gasket	
38	937774		1	.Screw	
39	937775		1	.Muffler, cpl	
40	936500		2	.Nut	
41	937792		1	.Fuel filter	
42	937778		1	.Fuel tank	
43	937799		1	.Bracket	
44	937798		1	.Fuel strainer	
45	937793		1	.Clamp	
46	937795		1	.Hose	
47	937797		1	.Rubber support	
48	936521		3	.Clamp	
49	937790		1	.Fuel tap	
50	937794		1	.Screw	
51	937791		1	.Fuel cap cpl	
52	937796		1	.Hose	

Petrol engine Honda GX160 K1SX

16100



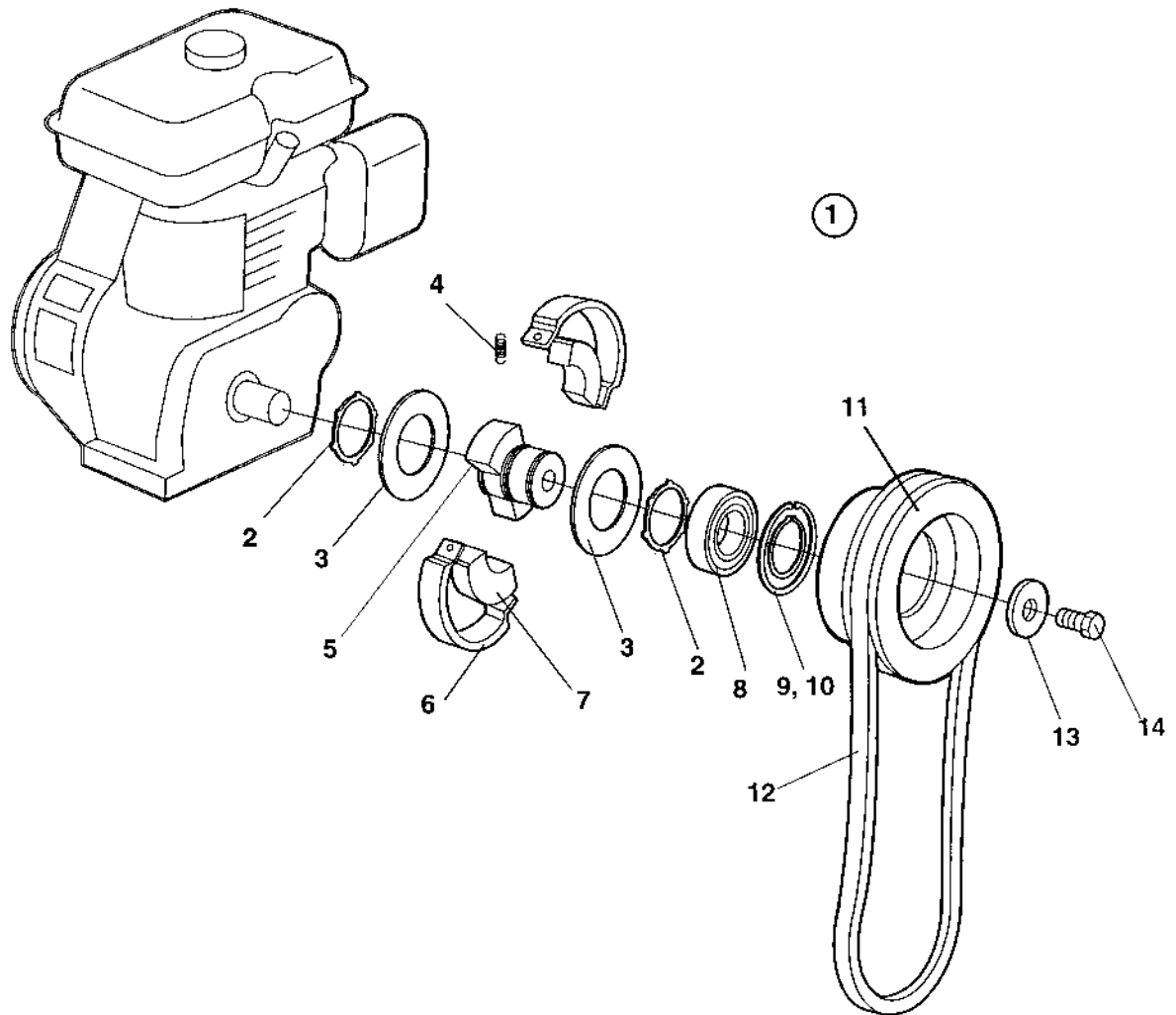
Petrol engine Honda GX160 K1SX

Ref. No.	Part No.	Rem.	Qty	Description	Code
1	281125		1	Petrol engine	
2	383031	B,C	1	Catalyser	
	239059		1	.Muffler	
3	239060		1	.Muffler cover, upper	
4	239062		1	.Exhaust pipe	
5	238322		1	.Arrester, spark	
6	239063		1	.Gasket, muffler	
7	239323		1	.Air filter, cpl	A
8	239065		1	.Recoil starter, cpl	D
9	239374		1	..Starter rope	B
10	239375		1	..Spring	B
11	239376		1	..Reel	
12	239377		2	..Spring	
13	239378		2	..Ratchet	
14	239379		1	..Friction spring	
15	239380		1	..Guide	
16	239381		1	..Screw	
17	239391		1	..Handle	B
18	239321		1	.Fuel tank	
19	239324		1	.Fuel tank cap	D
20	238302		2	.Oil plug	D
21	238303		2	.Gasket	D
22	238306		1	.Oil plug	D
23	239067		1	.Oil alert	
24	239325		1	.Carburettor	
25	924842		1	.Spark plug	
26	238301		1	.Gasket	D
27	239664		1	.Gasket, cylinder head	D
28	901233		4	Washer	
29	500023		4	Screw	M8-1,25x40 8,8
30	281128	A		Spacer	
32	573002	D	1	Nut From 28203838	M5

- A) Not used in this model
- B) Option
- C) Replacable with muffler
- D) Locking nut for the revolution screw

Transmission

Ref. No.	Part No.	Rem.	Qty	Description	Code
10				Power transmission (Page 26)	



Power transmission

Ref. No.	Part No.	Rem.	Qty	Description	Code
1	282571	A	1	Clutch, cpl	
	385329		1	Centrifugal clutch, cpl	
2	239734		2	.Retaining ring	
3	935808		2	.Cover	
4	912498		2	.Spring	D
5	938701		1	.Hub	D
6	929360		2	.Clutch lining	B
7	239290		2	.Weight	D
8	937034		1	.Bearing	
9	937035		1	.Retaining ring	
10	937036		1	.Retaining ring	
11	938702		1	.Pulley	
12	284537	B	1	V-belt	
	386208		1	V-belt	
13	901688		1	Washer	
14	500053		1	Screw	

A) Replaced by P/N: 385329

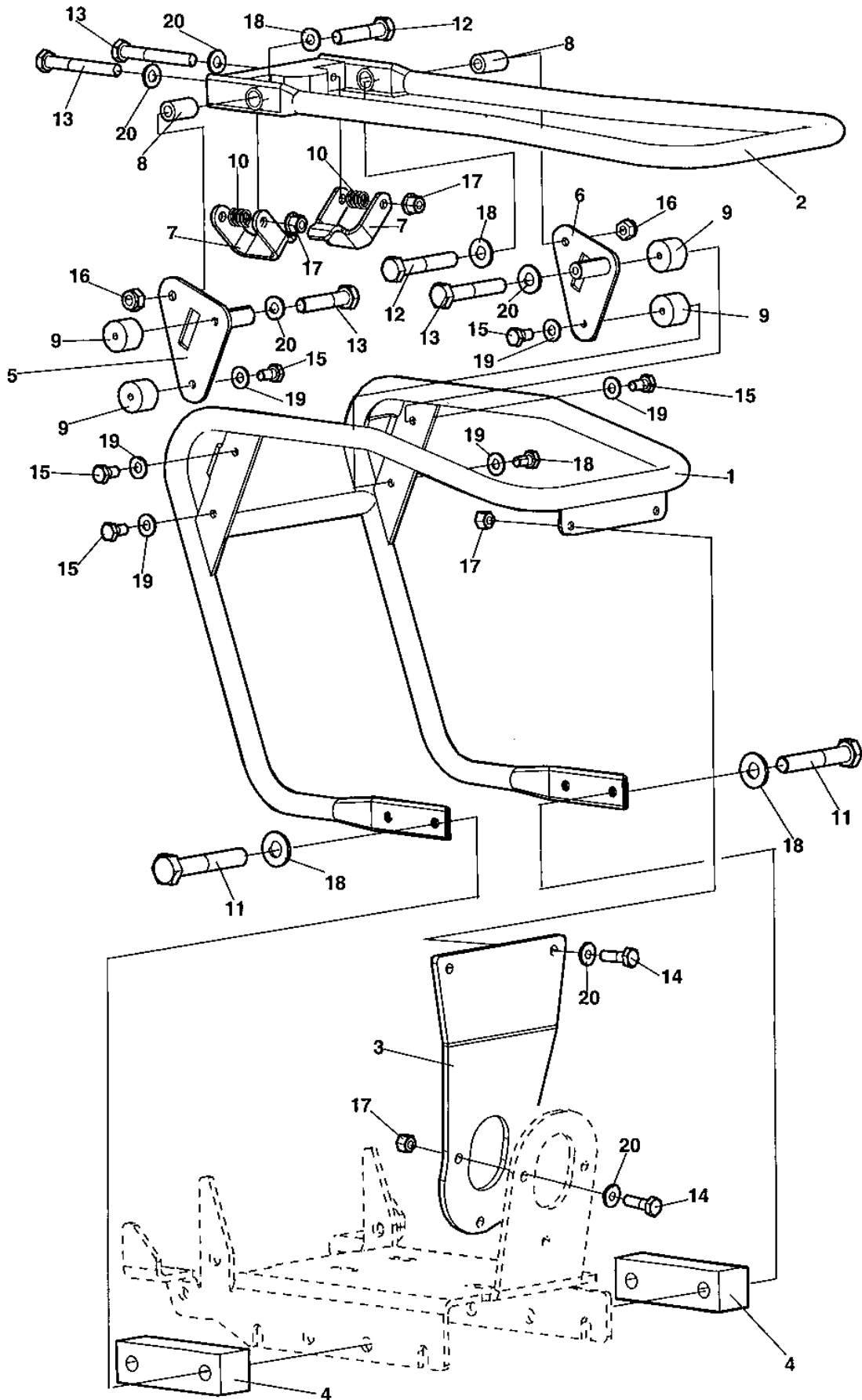
B) Replaced by P/N:386208

Handle

Ref. No.	Part No.	Rem.	Qty	Description	Code
10				Option, Vibration damped handle (Page 30)	

Option, Vibration damped handle

18277



Option, Vibration damped handle

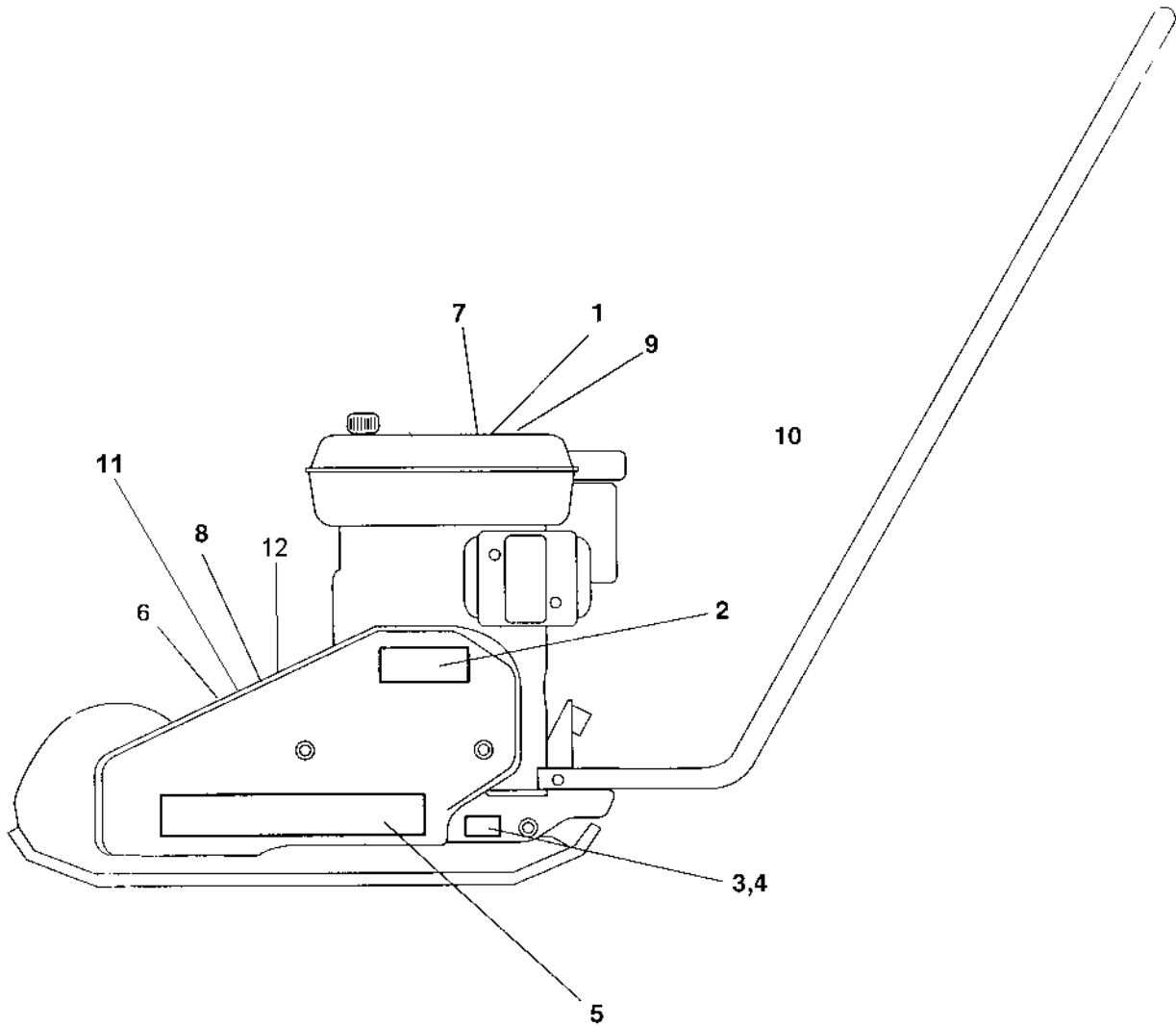
Ref. No.	Part No.	Rem.	Qty	Description	Code
1	378297		1	Protective frame	
2	378305		1	Grab handle	
3	378299		1	Bracket	
4	378300		2	Spacer	
5	378304		1	Bracket	
6	378312		1	Bracket	
7	378348		2	Lock bracket	
8	378369		2	Slide bearing	
9	377557		4	Shock absorber	
10	791499		2	Spring	
11	500033		4	Screw	M10-1,5x60 8,8
12	500091		2	Screw	
13	500068		4	Screw	M08x65
14	500021		5	Screw	
15	500019		6	Screw	M8x16 8.8
16	791172		2	Lock nut	
17	902286		7	Lock nut	
18	904230		6	Washer	
19	904556		6	Washer	
20	904229		6	Washer	

Decals and documentation

Ref. No.	Part No.	Rem.	Qty	Description	Code
10				Decals and documentation (Page 34)	

Decals and documentation

17340



Decals and documentation

Ref. No.	Part No.	Rem.	Qty	Description	Code
1	281898		1	Decal "Ear protection" Up to 28203837	
2	387649		1	Decal "MODEL CODE"	
3			1	Product identification plate	
			1	Product identification plate CE	
4	527002		4	Drive screw	
5	387652		1	Decal "DYNAPAC"	
6	903832		1	Safety decal Up to 28203837	
7	904680		1	Decal "Read instruction manual" Up to 28203837	
8	281269		1	Decal "LIFT"	
9			1	Not used on this model	
10			1	Instruction book	
			1	.Spare parts catalogue	SLF082
			1	.Instruction book, engine	
			1	.Operation	
			1	.Warranty registration certificate	
			1	.Warranty conditions	
11	791292	B	1	Decal "Sound power level"	104dB
12	389168		1	Assembly decal, safety From 28203838	

B) For Honda G200

NUMERICAL INDEX

Part Number	Page	Part Number	Page	Part Number	Page
151029	15	378300	31	904230	7,11,31
160033	15	378304	31	904556	9,31
232150	9	378305	31	904567	7
238301	23	378312	31	904640	7
238302	23	378348	31	904680	35
238303	23	378369	31	912498	27
238306	23	380306	17,21	924842	23
238322	23	380413	9	929360	27
239059	23	380942	9	935808	27
239060	23	383031	23	936497	19
239062	23	383578	11	936498	19
239063	23	383582	11	936499	19
239065	23	383583	11	936500	19,21
239067	23	383584	11	936501	19,21
239290	27	384010	15	936502	19
239314	19	384812	11	936503	19
239315	19	385329	27	936504	19
239321	23	386147	7	936505	19
239323	23	386208	27	936506	19
239324	23	386269	7	936507	19
239325	23	387649	35	936508	19
239374	23	387652	35	936509	19
239375	23	389168	35	936510	19,21
239376	23	390553	15	936511	19
239377	23	396065-02	9	936512	19,21
239378	23	500013	15	936513	19
239379	23	500015	9	936514	19
239380	23	500019	31	936515	19
239381	23	500021	9,11,31	936516	19
239391	23	500023	23	936517	19
239664	23	500026	9	936518	19
239734	27	500033	31	936519	19
239771	19	500053	15,27	936520	19
239823	9	500068	31	936521	19,21
271419	9	500087	11	936522	19
271986	19	500091	31	936523	19
281125	23	500161	11	936524	19
281128	23	500505	7	936525	19
281269	9,35	513009	7	936526	19
281898	35	527002	35	936527	19
282078	7	573002	23	936528	19
282079	7	586001	11	936529	19
282156	15	586002	7,9	936530	19
282157	15	586003	7,9	936531	19
282541	7	586018	7,11	936532	19
282545	7	791172	7,31	936533	19
282547	7	791292	35	936534	19
282558	9	791322	7	936535	19
282561	7	791424	9	936536	19
282569	9	791499	31	936537	19
282570	9	792112	15	936538	19,21
282571	27	901233	23	936539	19
283634	9	901650	9	936540	19
284526	15	901654	15	936541	19
284532	19	901688	15,27	936542	19
284537	27	902005	15	936584	19
284544	7	902160	9	937034	27
284547	7	902286	31	937035	27
351041	15	903360	15	937036	27
377557	31	903832	35	937479	21
378297	31	904228	7,9,15	937678	21
378299	31	904229	7,9,11,31	937757	21

NUMERICAL INDEX

Part Number	Page	Part Number	Page	Part Number	Page
937758	21				
937759	21				
937760	21				
937761	21				
937762	21				
937763	21				
937764	21				
937765	21				
937766	21				
937767	21				
937768	21				
937769	21				
937770	21				
937771	21				
937772	21				
937773	21				
937774	21				
937775	21				
937776	21				
937777	21				
937778	21				
937779	21				
937780	21				
937781	21				
937782	21				
937783	21				
937785	21				
937786	21				
937787	21				
937788	21				
937789	21				
937790	21				
937791	21				
937792	21				
937793	21				
937794	21				
937795	21				
937796	21				
937797	21				
937798	21				
937799	21				
938701	27				
938702	27				
939596	21				
950307	9				