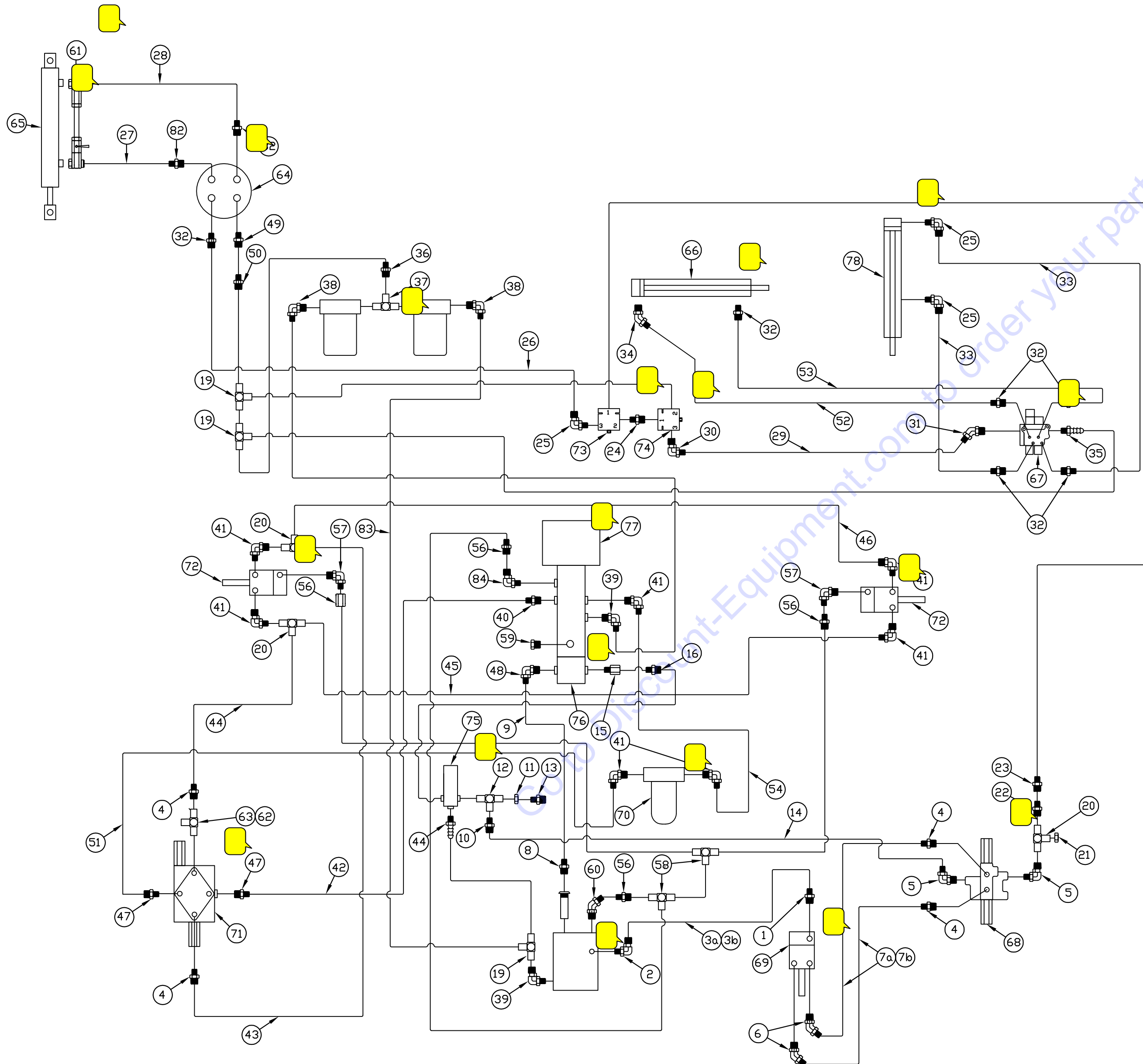


BILL OF MATERIAL			
ITEM	QTY	PART NO.	DESCRIPTION
76	1	9104033	GEAR PUMP
77	1	473990	PISTON PUMP
78	1	376640	LIFT CYLINDER
79	-	-	-
80	-	-	-
81	-	447474	801-6 PUSHLOK HOSE (BULK) CUT TO LENGTH
82	2	092882	6 MSAE X 6MJIC
83	-	446948	801-8 PUSHLOK HOSE (CUT TO LENGTH)
84	1	V63143600	6 MJIC X 8MSAE, ELBOW 90°
85	-	-	-
8	1	V63037800	12 MJIC X 1 MNPT STRAIGHT
9	1	369991	HOSE

BILL OF MATERIAL			
ITEM	QTY	PART NO.	DESCRIPTION
1	1	400994	4 MJIC X 4 MSAE STRAIGHT
2	1	093104	ADAPTER, 90
3a	1	381368	8' BROOM CASE DRAIN HOSE
3b	1	381376	6' BROOM CASE DRAIN HOSE
4	4	477634	8 MORFS X 8 MSAE STRAIGHT
5	2	477641	8 MORFS X 8 MSAE ELBOW 90
6	2	477647	8 MORFS X 10 MSAE ELBOW 45
7a	2	477621	HOSE ASSY; 8' BROOM HOSES
7b	2	477622	HOSE ASSY; 6' BROOM HOSES
10	1	386632	ADAPTER, #8 x 1/2 MNPT
11	1	477649	ADAPTER; 1/2 X 3/8
12	1	477660	ADAPTER TEE; 1/2 MRO-S
13	1	477648	NIPPLE; TEST PORT
14	1	477619	HOSE ASSY; PRIORITY VALVE TO RELIEF VALVE
15	1	085216	10 MSAE X 1/2 FNPT ADAPTER
16	1	025395	1/2 MNPT HES NIPPLE
17	1	447383	1/2 MNPT X 1/2 HOSE BARB STRAIGHT
18	-	-	-
19	3	075853	1/2 PLASTIC BARB TEE
20	3	477633	8 ORFS SWIVEL RUN TEE
21	1	477643	8 MORFS CAP
22	1	477644	8 X 6 ORFS REDUCER
23	1	477645	6 ORFS SWIVEL X 6 MSAE STRAIGHT
24	1	477646	6 MSAE X 6 MSAE STRAIGHT UNION
25	3	477639	6 MORFS X 6MSAE ELBOW 90
26	1	477617	HOSE ASSY; STEERING VALVE TO PRIORITY VALVE
27	1	377408	HOSE ASSY; STEERING VALVE TO STEERING CYLINDER
28	1	377416	HOSE ASSY; STEERING VALVE TO STEERING CYLINDER
29	1	477613	HOSE ASSY; ANGLE VALVE TO PRIORITY VALVE
30	1	477636	8 MORFS X 6 MSAE ELBOW 90
31	1	477635	8 MORFS X 8 MSAE STRAIGHT
32	6	477637	6 MORFS X 6 MSAE STRAIGHT
33	2	477624	HOSE ASSY; ANGLE VALVE TO LIFT CYLINDER
34	1	477638	6 MORFS X 6 MSAE ELBOW 45
35	1	477227	ADAPTER; HOSE BARB
36	1	467621	3/4 MNPT X 1/2 HOSE BARB STRAIGHT
37	1	467605	ADAPTER, TEE 12 NPTM X 12 NPTM
38	2	467613	1/2 HOSE BEAD X 3/4 MNPT 90°
39	2	447094	ADAPTER 90 8 SAEM X 1/2
40	1	477642	8 MORFS X 12 MSAE STRAIGHT
41	7	477632	8 MORFS X 12 MSAE ELBOW 90
42	1	477620	HOSE ASSY; HYDROSTAT VALVE TO PUMP
43	1	477611	HOSE ASSY; HYDROSTAT VALVE TO R WHEEL MOTOR
44	1	477612	HOSE ASSY; HYDROSTAT VALVE TO R WHEEL MOTOR
45	1	477608	HOSE ASSY; L WHEEL MOTOR TO R WHEEL MOTOR
46	1	477609	HOSE ASSY; L WHEEL MOTOR TO R WHEEL MOTOR
47	2	477631	8 MORFS X 10 MSAE STRAIGHT
48	1	068338	12 MJIC X 12 MSAE ELBOW 90
49	1	093385	8 MJIC X 6 MSAE STRAIGHT
50	1	447201	1/2 FJIC X 1/2 HOSE PUSH LOK FITTING
51	1	477607	HOSE ASSY; PRESSURE FILTER TO HYDROSTAT VALVE
52	1	477615	HOSE ASSY; ANGLE VALVE TO ANGLE CYLINDER
53	1	477616	HOSE ASSY; ANGLE VALVE TO ANGLE CYLINDER
54	1	477618	HOSE ASSY; FILTER TO HYDROSTAT
55	1	092825	6 MJIC X 6 MSAE ELBOW 90
56	4	447219	3/8 FJIC X 3/8 HOSE PUSH LOK FITTING
57	2	406645	6 MJIC X 4 MSAE ELBOW 90
58	5	447128	TEE, .38 ID HOSE BARB UNION
59	1	903211	8 SAE HEX HEAD PLUG
60	1	425348	6 MJIC X 6 MSAE ELBOW 45
61	1	376681	SPECIAL CYLINDER TUBE ASSY; KIT
62	1	444232	PLUG, .75 NPT W/ MAGNETIC BASE
63	1	477141	SPECIAL TEE FOR ELECTRICAL SENSOR
64	1	477414	STEERING GEAR
65	1	467977	STEERING CYLINDER
66	1	467985	ANGLE CYLINDER
67	1	9104030	2 SPOOL, ANGLE/LIFT VALVE
68	1	9104026	BROOM VALVE
69	1	473462	BROOM MOTOR
70	1	475483	PRESSURE FILTER
71	1	146838	FORWARD/REVERSE VALVE
72	1	9103730	WHEEL MOTOR
73	1	473520	PRIORITY FLOW DIVIDER
74	1	9102839	PRIORITY FLOW DIVIDER
75	1	9100970	RELIEF VALVE



WALDON 401 CAPACITY DRIVE
LONGVIEW, TEXAS 75604

NOTES:
 1. DO NOT SCALE PRINT.
 2. VERIFY ALL DIMENSIONS.
 3. ALL DIMENSIONS ARE TO BE MADE ON THE SYSTEM.

TOLERANCE UNLESS OTHERWISE NOTED:
 .XX ± .005
 .XX ± .010
 .XX ± .015

THIS DRAWING & ALL INFORMATION THEREON IS THE PROPERTY OF WALDON. IT IS LOANED CONFIDENTIAL & MUST NOT BE USED IN ANY WAY THAT IS DETRIMENTAL TO OUR INTERESTS.

HYDRAULIC LINES; 6HC/8HC

MATERIAL: _____

FIRST USED: _____

DRW	J WESSON	DATE	10SEP04	SIZE	PART NO.	REV.
CHK	MMY	DATE	-	C	477625	-
SCALE	NTS	SHEET	1 OF 1			

SYM	CHANGE	ERN	DATE	BY
REVISION				

PARTS FINDER

**Search Website
by Part Number**



**Search Manual
Library For Parts
Manual & Lookup Part
Numbers – Purchase
or Request Quote**

Search Manuals

Enter your information to help us find the right parts manual for your machine.

* Brand:

* Model:

* Serial:

* Part Number:

SEARCH

**Can't Find Part or
Manual? Request Help
by Manufacturer,
Model & Description**

Parts Order Form

Please fill in the following information to help us find the right part for your machine.

MANUFACTURER:

MODEL:

DESCRIPTION:

DATE:

TIME:

PHONE:

EMAIL:

ADDRESS:

CITY:

STATE:

ZIP:

COUNTRY:

SEARCH

Discount-Equipment.com is your online resource for quality parts & equipment.

Florida: **561-964-4949** Outside Florida TOLL FREE: **877-690-3101**

Need parts?

Click on this link: <http://www.discount-equipment.com/category/5443-parts/> and choose one of the options to help get the right parts and equipment you are looking for. Please have the machine model and serial number available in order to help us get you the correct parts. If you don't find the part on the website or on one of the online manuals, please fill out the request form and one of our experienced staff members will get back to you with a quote for the right part that your machine needs.

We sell worldwide for the brands: Genie, Terex, JLG, MultiQuip, Mikasa, Essick, Whiteman, Mayco, Toro Stone, Diamond Products, Generac Magnum, Airman, Haulotte, Barreto, Power Blanket, Nifty Lift, Atlas Copco, Chicago Pneumatic, Allmand, Miller Curber, Skyjack, Lull, Skytrak, Tsurumi, Husquvarna Target, Stow, Wacker, Sakai, Mi-T-M, Sullair, Basic, Dynapac, MBW, Weber, Bartell, Bennar Newman, Haulotte, Ditch Runner, Menegotti, Morrison, Contec, Buddy, Crown, Edco, Wyco, Bomag, Laymor, EZ Trench, Bil-Jax, F.S. Curtis, Gehl Pavers, Heli, Honda, ICS/PowerGrit, IHI, Partner, Imer, Clipper, MMD, Koshin, Rice, CH&E, General Equipment, Amida, Coleman, NAC, Gradall, Square Shooter, Kent, Stanley, Tamco, Toku, Hatz, Kohler, Robin, Wisconsin, Northrock, Oztec, Toker TK, Rol-Air, APT, Wylie, Ingersoll Rand / Doosan, Innovatech, Con X, Ammann, Mecalac, Makinex, Smith Surface Prep, Small Line, Wanco, Yanmar