

OPERATION AND PARTS MANUAL



Mikasa **SERIES**
**MODEL MVH306DS2/
MVH306DSCPAS**

**REVERSIBLE PLATE COMPACTOR
(YANMAR L70V6GJ1R1AAS5 DIESEL ENGINE)**

Revision #7 (02/04/14)



www.discount-equipment.com

THIS MANUAL MUST ACCOMPANY THE EQUIPMENT AT ALL TIMES.

PARTS FINDER

**Search Website
by Part Number**



**Search Manual
Library For Parts
Manual & Lookup Part
Numbers – Purchase
or Request Quote**

Search Manuals

Enter your information to help us find the right parts manual for your machine.

* Brand:

* Model:

* Serial:

* Part Number:

SEARCH

**Can't Find Part or
Manual? Request Help
by Manufacturer,
Model & Description**

Parts Order Form

Please fill in the following information to help us find the right part for your machine.

Manufacturer:	<input type="text"/>
Model:	<input type="text"/>
Description:	<input type="text"/>
Part Number:	<input type="text"/>
Quantity:	<input type="text"/>
Notes:	<input type="text"/>

REQUEST HELP

Discount-Equipment.com is your online resource for quality parts & equipment.



Florida: **561-964-4949** Outside Florida TOLL FREE: **877-690-3101**

Need parts?

Click on this link: <http://www.discount-equipment.com/category/5443-parts/> and choose one of the options to help get the right parts and equipment you are looking for. Please have the machine model and serial number available in order to help us get you the correct parts. If you don't find the part on the website or on one of the online manuals, please fill out the request form and one of our experienced staff members will get back to you with a quote for the right part that your machine needs.

We sell worldwide for the brands: Genie, Terex, JLG, MultiQuip, Mikasa, Essick, Whiteman, Mayco, Toro Stone, Diamond Products, Generac Magnum, Airman, Haulotte, Barreto, Power Blanket, Nifty Lift, Atlas Copco, Chicago Pneumatic, Allmand, Miller Curber, Skyjack, Lull, Skytrak, Tsurumi, Husquvarna Target, Stow, Wacker, Sakai, Mi-T-M, Sullair, Basic, Dynapac, MBW, Weber, Bartell, Bennar Newman, Haulotte, Ditch Runner, Menegotti, Morrison, Contec, Buddy, Crown, Edco, Wyco, Bomag, Laymor, EZ Trench, Bil-Jax, F.S. Curtis, Gehl Pavers, Heli, Honda, ICS/PowerGrit, IHI, Partner, Imer, Clipper, MMD, Koshin, Rice, CH&E, General Equipment, Amida, Coleman, NAC, Gradall, Square Shooter, Kent, Stanley, Tamco, Toku, Hatz, Kohler, Robin, Wisconsin, Northrock, Oztec, Toker TK, Rol-Air, APT, Wylie, Ingersoll Rand / Doosan, Innovatech, Con X, Ammann, Mecalac, Makinex, Smith Surface Prep, Small Line, Wanco, Yanmar

PROPOSITION 65 WARNING

 **WARNING** 

CALIFORNIA — Proposition 65 Warning

Diesel engine exhaust and some of its constituents are known to the State of California to cause cancer, birth defects and other reproductive harm.

Go to Discount-Equipment.com to order your parts

TABLE OF CONTENTS

MVH306DS2/MVH306DSCPAS Reversible Plate Compactors

Proposition 65 Warning	2
Table Of Contents	4
Parts Ordering Procedures.....	5-10
Specifications	11
Dimensions.....	12
General Nformation	13
Components	14
Basic Engine.....	15
Inspection	16-17
Operation.....	18-23
Maintenance	24-29
Explanation Of Code In Remarks Column.....	30
Suggested Spare Parts	31

Compactor Component Drawings

Nameplate And Decals.....	32-33
Vibrating Plate Assembly.....	34-35
Base And Engine Assembly	36-39
Vibrator Assembly	40-41
Control Handle Assy.	42-45
Hand Pump Assembly	46-47
Battery Assembly.....	48-49
Compaction Analyzing System Assembly	50-51

Yanmar L70V6 Diesel Engine

Electric Device Assembly	52-53
Cylinder Block Assembly	54-55
Cylinder Head Assembly	56-57
Air Cleaner Assembly	58-59
Muffler Assembly	60-61
Crankshaft And Camshaft Assembly.....	62-63
Piston Assembly	64-65
Lub Oil Pump And Governor Assembly.....	66-67
Cooling And Starting Device Assembly	68-69
Fuel Injection Pump Assembly	70-71
Fuel Tank And Fuel Line Assembly	72-73
Starting Motor And Dynamo Assembly	74-75
Tool, Label, And Gasket Assembly	76-77
Terms And Conditions Of Sale — Parts	78

NOTICE

Specifications and part numbers are subject to change without notice.

SAFETY INFORMATION

Do not operate or service the equipment before reading the entire manual. Safety precautions should be followed at all times when operating this equipment. Failure to read and understand the safety messages and operating instructions could result in injury to yourself and others.



SAFETY MESSAGES

The four safety messages shown below will inform you about potential hazards that could injure you or others. The safety messages specifically address the level of exposure to the operator and are preceded by one of four words: **DANGER**, **WARNING**, **CAUTION** or **NOTICE**.

SAFETY SYMBOLS

! DANGER

Indicates a hazardous situation which, if not avoided, **WILL** result in **DEATH** or **SERIOUS INJURY**.

! WARNING

Indicates a hazardous situation which, if not avoided, **COULD** result in **DEATH** or **SERIOUS INJURY**.








! CAUTION

Indicates a hazardous situation which, if not avoided, **COULD** result in **MINOR** or **MODERATE INJURY**.

NOTICE

Addresses practices not related to personal injury.

Potential hazards associated with the operation of this equipment will be referenced with hazard symbols which may appear throughout this manual in conjunction with safety messages.

Symbol	Safety Hazard
	Lethal exhaust gas hazards
	Explosive fuel hazards
	Burn hazards
	Respiratory hazards
	Accidental starting hazards
	Eye and hearing hazards
	Rotating parts hazards

SAFETY INFORMATION

GENERAL SAFETY

CAUTION

- **NEVER** operate this equipment without proper protective clothing, shatterproof glasses, respiratory protection, hearing protection, steel-toed boots and other protective devices required by the job or city and state regulations.



- **NEVER** operate this equipment when not feeling well due to fatigue, illness or when under medication.



- **NEVER** operate this equipment under the influence of drugs or alcohol.



- **ALWAYS** check the equipment for loosened threads or bolts before starting.
- **DO NOT** use the equipment for any purpose other than its intended purposes or applications.
- **ALWAYS** clear the work area of any debris, tools, etc. that would constitute a hazard while the equipment is in operation.

NOTICE

- This equipment should only be operated by trained and qualified personnel 18 years of age and older.
- Whenever necessary, replace nameplate, operation and safety decals when they become difficult read.
- Manufacturer does not assume responsibility for any accident due to equipment modifications. Unauthorized equipment modification will void all warranties.
- **NEVER** use accessories or attachments that are not recommended by Multiquip for this equipment. Damage to the equipment and/or injury to user may result.
- **ALWAYS** know the location of the nearest **fire extinguisher**.
- **ALWAYS** know the location of the nearest **first aid kit**.
- **ALWAYS** know the location of the nearest phone or **keep a phone on the job site**. Also, know the phone numbers of the nearest **ambulance, doctor and fire department**. This information will be invaluable in the case of an emergency.



SAFETY INFORMATION

COMPACTOR SAFETY

DANGER

- **NEVER** operate the equipment in an explosive atmosphere or near combustible materials. An explosion or fire could result causing severe **bodily harm or even death.**



WARNING

- **NEVER** disconnect any **emergency or safety devices.** These devices are intended for operator safety. Disconnection of these devices can cause severe injury, bodily harm or even death. Disconnection of any of these devices will void all warranties.

CAUTION

- **NEVER** lubricate components or attempt service on a running machine.

NOTICE

- **ALWAYS** keep the machine in proper running condition.
- Fix damage to machine and replace any broken parts immediately.
- **ALWAYS** store equipment properly when it is not being used. Equipment should be stored in a clean, dry location out of the reach of children and unauthorized personnel.

ENGINE SAFETY

DANGER

- The engine fuel exhaust gases contain poisonous carbon monoxide. This gas is colorless and odorless, and can cause death if inhaled.
- The engine of this equipment requires an adequate free flow of cooling air. **NEVER** operate this equipment in any enclosed or narrow area where free flow of the air is restricted. If the air flow is restricted it will cause injury to people and property and serious damage to the equipment or engine.



WARNING

- **DO NOT** place hands or fingers inside engine compartment when engine is running.
- **NEVER** operate the engine with heat shields or guards removed.
- Keep fingers, hands hair and clothing away from all moving parts to prevent injury.
- **DO NOT** remove the radiator cap while the engine is hot. High pressure boiling water will gush out of the radiator and severely scald any persons in the general area of the compactor.
- **DO NOT** remove the coolant drain plug while the engine is hot. Hot coolant will gush out of the coolant tank and severely scald any persons in the general area of the compactor.
- **DO NOT** remove the engine oil drain plug while the engine is hot. Hot oil will gush out of the oil tank and severely scald any persons in the general area of the compactor.



CAUTION

- **NEVER** touch the hot exhaust manifold, muffler or cylinder. Allow these parts to cool before servicing equipment.



NOTICE

- **NEVER** run engine without an air filter or with a dirty air filter. Severe engine damage may occur. Service air filter frequently to prevent engine malfunction.
- **NEVER** tamper with the factory settings of the engine or engine governor. Damage to the engine or equipment can result if operating in speed ranges above the maximum allowable.
- **NEVER** tip the engine to extreme angles during lifting as it may cause oil to gravitate into the cylinder head, making the engine start difficult.

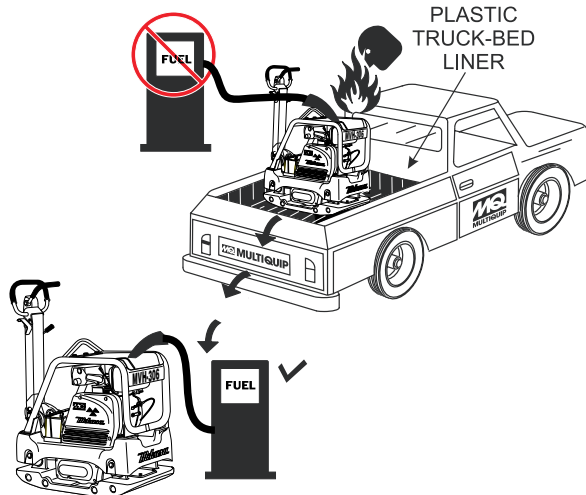


SAFETY INFORMATION

FUEL SAFETY

DANGER

- **DO NOT** add fuel to equipment if it is placed inside truck bed with plastic liner. Possibility exists of explosion or fire due to static electricity.



- **DO NOT** start the engine near spilled fuel or combustible fluids. Diesel fuel is extremely flammable and its vapors can cause an explosion if ignited.
- **ALWAYS** refuel in a well-ventilated area, away from sparks and open flames.
- **ALWAYS** use extreme caution when working with **flammable** liquids.
- **DO NOT** fill the fuel tank while the engine is running or hot.
- **DO NOT** overfill tank, since spilled fuel could ignite if it comes into contact with hot engine parts or sparks from the ignition system.
- Store fuel in appropriate containers, in well-ventilated areas and away from sparks and flames.
- **NEVER** use fuel as a cleaning agent.
- **DO NOT** smoke around or near the equipment. Fire or explosion could result from fuel vapors or if fuel is spilled on a hot engine.



BATTERY SAFETY (ELECTRIC START ONLY)

DANGER

- **DO NOT** drop the battery. There is a possibility that the battery will explode.
- **DO NOT** expose the battery to open flames, sparks, cigarettes, etc. The battery contains combustible gases and liquids. If these gases and liquids come into contact with a flame or spark, an explosion could occur.



WARNING

- **ALWAYS** wear safety glasses when handling the battery to avoid eye irritation. The battery contains acids that can cause injury to the eyes and skin.
- Use well-insulated gloves when picking up the battery.
- **ALWAYS** keep the battery charged. If the battery is not charged, combustible gas will build up.
- **DO NOT** charge battery if frozen. Battery can explode. When frozen, warm the battery to at least 61°F (16°C).
- **ALWAYS** recharge the battery in a well-ventilated environment to avoid the risk of a dangerous concentration of combustible gases.
- If the battery liquid (dilute sulfuric acid) comes into contact with **clothing or skin**, rinse skin or clothing immediately with plenty of water.
- If the battery liquid (dilute sulfuric acid) comes into contact with **eyes**, rinse eyes immediately with plenty of water and contact the nearest doctor or hospital to seek medical attention.



CAUTION

- **ALWAYS** disconnect the **NEGATIVE** battery terminal before performing service on the equipment.
- **ALWAYS** keep battery cables in good working condition. Repair or replace all worn cables.

SAFETY INFORMATION

TRANSPORTING SAFETY

CAUTION

- NEVER allow any person or animal to stand underneath the equipment while lifting.

NOTICE

- Before lifting, make sure that the equipment parts (hook and vibration insulator) are not damaged and screws are not loose or missing.
- Always make sure crane or lifting device has been properly secured to the lifting bail (hook) of the equipment.
- ALWAYS shutdown engine before transporting.
- NEVER lift the equipment while the engine is running.
- Tighten fuel tank cap securely and close fuel cock to prevent fuel from spilling.
- Use adequate lifting cable (wire or rope) of sufficient strength.
- Use one point suspension hook and lift straight upwards.
- DO NOT lift machine to unnecessary heights.
- ALWAYS tie down equipment during transport by securing the equipment with rope.

ENVIRONMENTAL SAFETY/DECOMMISSIONING

NOTICE

Decommissioning is a controlled process used to safely retire a piece of equipment that is no longer serviceable. If the equipment poses an unacceptable and unrepairable safety risk due to wear or damage or is no longer cost effective to maintain (beyond life-cycle reliability) and is to be decommissioned (demolition and dismantlement), be sure to follow rules below:

- DO NOT pour waste or oil directly onto the ground, down a drain or into any water source.
- Contact your country's Department of Public Works or recycling agency in your area and arrange for proper disposal of any electrical components, waste or oil associated with this equipment.



- When the life cycle of this equipment is over, remove battery and bring to appropriate facility for lead reclamation. Use safety precautions when handling batteries that contain sulfuric acid.

- When the life cycle of this equipment is over, it is recommended that the trowel frame and all other metal parts be sent to a recycling center.

Metal recycling involves the collection of metal from discarded products and its transformation into raw materials to use in manufacturing a new product.

Recyclers and manufacturers alike promote the process of recycling metal. Using a metal recycling center promotes energy cost savings.

EMISSIONS INFORMATION

NOTICE

The diesel engine used in this equipment has been designed to reduce harmful levels of carbon monoxide (CO), hydrocarbons (HC) and nitrogen oxides (NOx) contained in diesel exhaust emissions.

This engine has been certified to meet US EPA Evaporative emissions requirements in the installed configuration.

Attempting to modify or make adjustments to the engine emission system by unauthorized personnel without proper training could damage the equipment or create an unsafe condition.

Additionally, modifying the fuel system may adversely affect evaporative emissions, resulting in fines or other penalties.

Emission Control Label

The emission control label is an integral part of the emission system and is strictly controlled by regulations.

The label must remain with the engine for its entire life.

If a replacement emission label is needed, please contact your authorized Kohler Engine Distributor.

SPECIFICATIONS

Table 1. MVH306DS2/DSCPAS Reversible Plate Compactor Specifications	
Centrifugal Force	10,116 lbs. (4,588 kg)
Vibration Frequency	3,600 vpm (60 Hz)
Traveling Speed	0 to 75 ft/min (0 to 23 m/min)
Plate Size (L x W)	18 x 34 in (45.72 x 86.36 cm)
External Plate Size (L x W)	24 x 34 in (60.96 x 86.36 cm)
Max. Area of Compaction (no extensions)	6,750 sq. ft. (2,057 sq. meters)
Overall Length	62 in (1,575 mm)
Overall Width	18.0 in (457 mm)
Overall Height (with handle)	55 in (1,397 mm)
Overall Height (without handle)	34 in (864 mm)
Operating Weight	725 lbs. (329 kg.)
Operating Weight (extension plates)	824 lbs. (374 kg.)
Lubricating Oil in Vibration Case	20.28 fl. oz. (600 cc)

Table 2. Engine Specifications	
Engine Make	YANMAR
Engine Model	L70V6GJ1R1AAS5
Engine Type	Air-cooled 4-cycle Diesel Engine
Cylinder Bore X Stroke	3.07 x 2.51 in (78 x 64 mm)
Displacement	10.34 fl oz (306 cm ³)
Maximum Output	6.5 HP @3,600 RPM
Fuel Tank Capacity	3.5 quarts (3.31 liters)
Oil Capacity	1.16 quarts (1.10 liters)
Starting Method D/DS	Recoil/Electric
Dry Net Weight Recoil/Electric	72.75 lbs. (33 kg)/83.77 lbs. (38 kg)
Dimensions (L x W x H)	15.11 x 16.57 x 17.71 in (384 x 421 x 450 mm)

DIMENSIONS

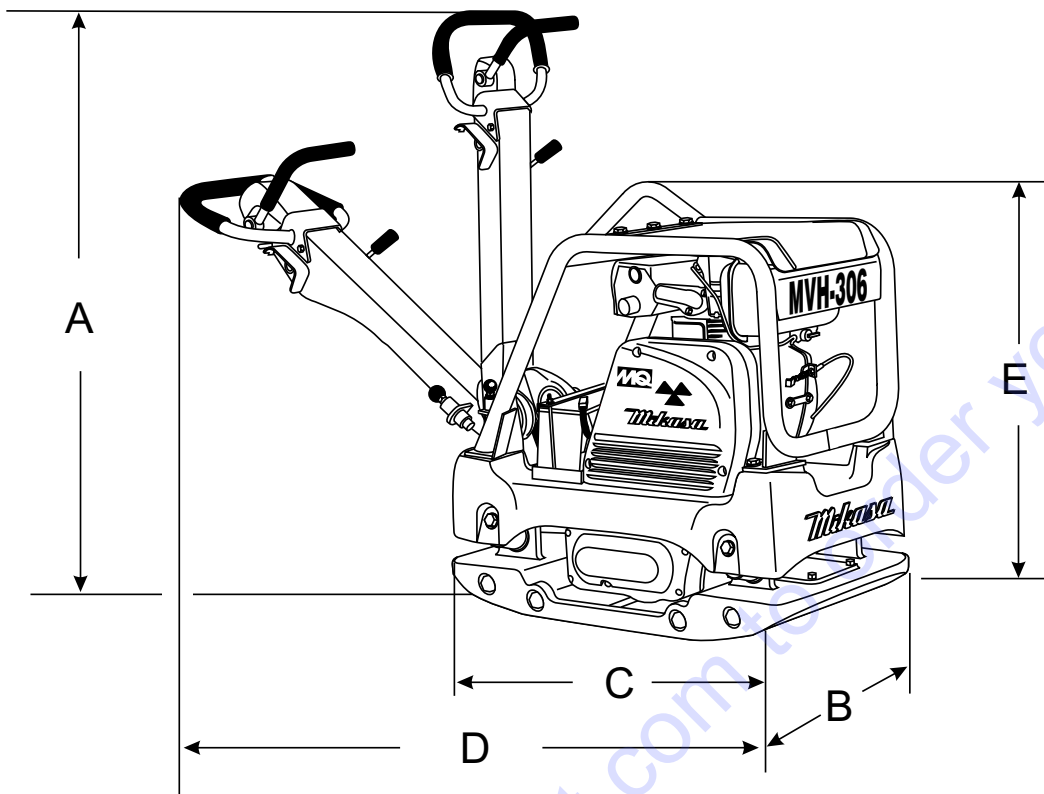


Figure 1. MVH306DS2/DSCPAS Reversible Plate Compactor Dimensions

Table 3. Dimensions

A	55 in. (1,387 mm.)
B	18 in. (445 mm.)
C	34 in. (860 mm.)
D	62 in. (1570 mm.)
E	34 in. (856 mm.)

GENERAL INFORMATION

Plate Compactor

The Mikasa MVH306DS2/DSCPAS is a walk behind, reversible plate compactor designed for the compaction of sand, clay and asphalt. This plate compactor is a powerful compacting tool capable of applying a tremendous force in consecutive high frequency vibrations to a soil surface. Its applications include soil compacting for road, embankments and reservoirs as well as backfilling for gas pipelines, water pipelines and cable installation work.

Vibratory Plates

The vibratory plates of this plate compactor produce low amplitude high frequency vibrations, designed to compact granular soils.

The resulting vibrations cause forward motion. The engine and handle are vibration isolated from the vibrating plate. The heavier the plate, the more compaction force it generates.

Reversible Vibratory Plates

Reversible vibratory plates have two eccentric weights that allow a smooth transition for forward and reverse travel, plus increased compaction force as the result of dual weights.

Due to their weight and force, reversible plates are ideal for semi-cohesive soils.

Frequency/Speed

The compactor's vibrating plate maximum frequency is 4400 vpm (vibrations per minute). The forward and reverse travel speed of the compactor is approximately 75 ft./minute (23 meters/minute).

Engine

This plate compactor is equipped with a YANMAR L70V6GJ1R1AAS5 diesel engine.

Controls

Before starting this plate compactor, identify and understand the function of the controls and all components.

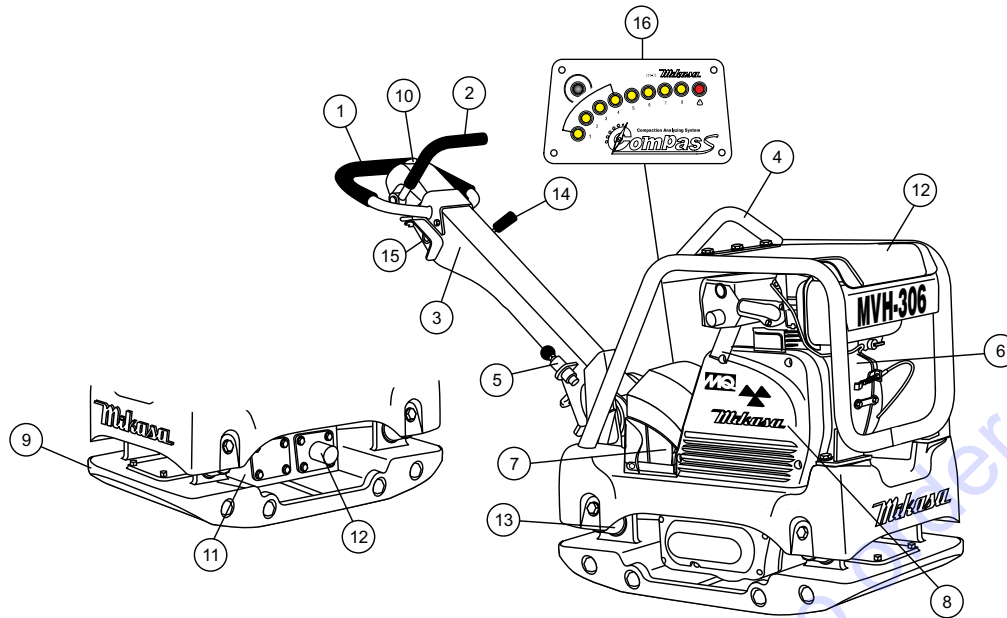


Figure 2. MVH306DS2/DSCPAS Reversible Plate Compactor Components

Figure 2 illustrates the location of the major components for the MVH306DS2/DS2CPAS Reversible Plate Compactor. The function of each component is described below:

1. **Hand Grip** – When operating the compactor use this hand grip to maneuver the compactor.
2. **Forward & Reverse Lever** – Push the lever forward, the compactor will move in a forward direction, pull the lever backwards, the compactor will move in backwards direction. Placing the lever in the middle (midway) will cause the compactor not to move (neutral).
3. **Handle Bar** – When operating the compactor, this handle is to be in the downward position. When the compactor is to be stored, move the handle bar to the upright position.
4. **Guard Hook** - Used to lift the machine with crane or other lifting device.
5. **Stopper** - Locks the handle in place in the upward position for stowing.
6. **Engine** – This plate compactor uses a YANMAR L-70V6 diesel engine. Refer to the owner's manual for engine information and related topics.
7. **Battery (Option)** - This unit uses a 12-volt battery. See maintenance of this manual for proper care of battery.
8. **Belt Cover** – Remove this cover to gain access to the V-belts. **NEVER** run the compactor without the V-belt cover. If the V-belt cover is not installed, the possibility exist that your hand may get caught between the V-belt and clutch, thus causing serious injury and bodily harm.
9. **Base Plate** – Designed to compact sand, clay, and asphalt.
10. **Oil Reservoir** – Fill with Shell Tellus Oil 46 or equivalent grade hydraulic oil.
11. **Vibration Case** – Encloses the eccentric, gears and counter weights.
12. **Hydraulic Cylinder** – Activated by moving the travel lever. The cylinder controls the direction of movement by the plate compactor.
13. **Shock Absorber** – Protects plate compactor from damage by absorbing vibration during operation.
14. **Throttle Lever** – Controls speed of the plate compactor. Place straight vertically to start, push fully counterclockwise for full throttle and fully clockwise to stop plate compactor.
15. **Ignition Switch (Option)** – Provided for electric start models only.
16. **COMPAS** – Compaction Analysing System, monitors soil stiffness. Available only on the MVH306DSCPAS.

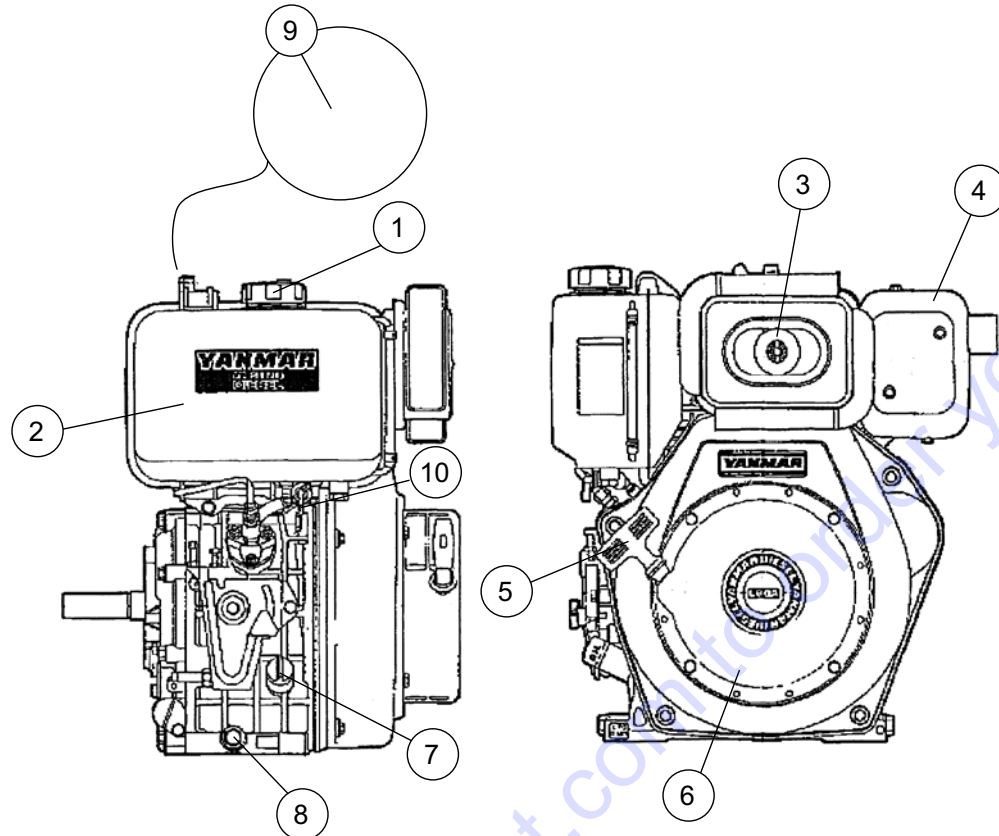


Figure 3. Yanmar L70V6 Engine Components

ENGINE COMPONENTS

Figure 3 illustrates the location of the major components for the Yanmar L70V6 diesel engine. The function of each component is described below

1. **Fuel Filler Cap** – Remove this cap to add unleaded gasoline to the fuel tank. Make sure cap is tighten securely. **DO NOT** over fill.
2. **Fuel Tank** – Capacity is 3.5 quarts (3.31 liters) of diesel fuel.
3. **Air Cleaner** – Prevents dirt and other debris from entering the fuel system. Remove wing-nut on top of air filter cannister to gain access to filter element.
4. **Muffler** – Used to reduce noise and emissions.
5. **Recoil Starting Handle (pull rope)** – Type of engine starting method. Alternate type would be electric start (ignition key).
6. **Recoil Starter** – Manual-starting method. Pull the starter grip until resistance is felt, then pull briskly and smoothly.
7. **Oil Filler Cap / Dipstick** – Remove this cap to add oil to the engine crankcase. Read dipstick to determine if oil level is low. **DO NOT** over fill.
8. **Oil Drain Plug** – Unscrew plug to drain oil from engine crankcase. Dispose of oil in a safe manner.
9. **Decompression Lever** – Press down before starting engine. To prevent damage to engine, **DO NOT** use for any other purpose.
10. **Fuel Cock** – Controls the flow of diesel fuel to the carburetor. Must be in the ON position when starting and running the engine.

INSPECTION

Before Starting

1. Read safety instructions at the beginning of manual.
2. Familiarize yourself with the operating and control elements of the machine and the working environment. This includes obstacles in the working area, bearing capacity of the ground and the necessary safety provisions.
3. Check the air filter for dirt and dust. If air filter is dirty, replace air filter with a new one as required.
4. Check fastening nuts and bolts for tightness. Loose threads may cause damage to the machine when vibrating.
5. Understand the geographical features and regulations of the job site.
6. Clean the compactor, removing dirt and dust. Particularly, the bottom of the plate, engine cooling air inlet.

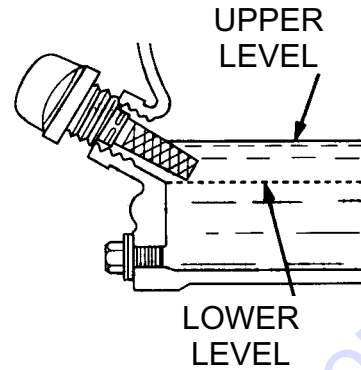


Figure 5. Engine Oil Level

Checking Engine Oil Level

1. To check the engine oil level, place the compactor on secure level ground with the engine stopped.
2. Remove the dipstick from the engine oil filler hole (Figure 4) and wipe it clean.
3. Insert and remove the dipstick without screwing it into the filler neck. Check the oil level shown on the dipstick.

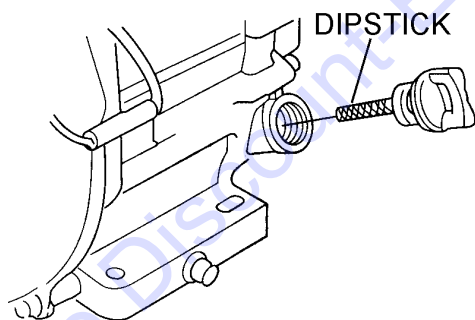


Figure 4. Engine Oil Dipstick Removal

4. If the oil level is low (Figure 5), fill to the edge of the oil filler hole with the recommended oil type (Table 4). Maximum oil capacity is 1.16 quarts (1.10 liters).

Table 4. Oil Type

Season	Temperature	Oil Type
Summer	25°C or Higher	SAE 10W-30
Spring/Fall	25°C~10°C	SAE 10W-30/20
Winter	0°C or Lower	SAE 10W-10

Checking the Hydraulic Oil Level

1. To check the engine oil level, place the compactor on secure level ground with the engine stopped.
2. Remove the hydraulic oil breather cap located at the top of the hydraulic oil tank (Figure 6).
3. Using a 24 mm wrench, remove the hydraulic oil filler plug.
4. Visually inspect to determine if hydraulic oil level is low. If oil level is low add Shell Tellus 46 hydraulic oil or equivalent through the hand pump oil filler port.

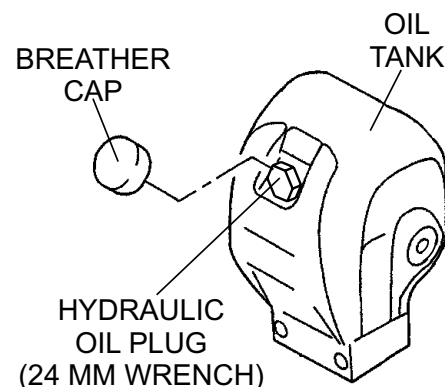


Figure 6. Hydraulic Oil Filler Plug Removal

CAUTION

DO NOT overfill hydraulic oil tank. This could cause oil leaks and sluggish operation. Clean cap and surrounding area before opening to prevent dirt from entering oil tank.

- When adding hydraulic oil, only fill to the specified oil level as marked on the front of the hydraulic oil tank (Figure 7). **DO NOT** overfill.

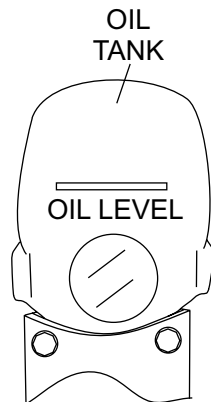


Figure 7. Oil Tank (Front View)

Checking the Air Cleaner

- To check the engine oil level, place the compactor on secure level ground with the engine stopped.
- Loosen the wing nut (Figure 8), remove the air cleaner cover.

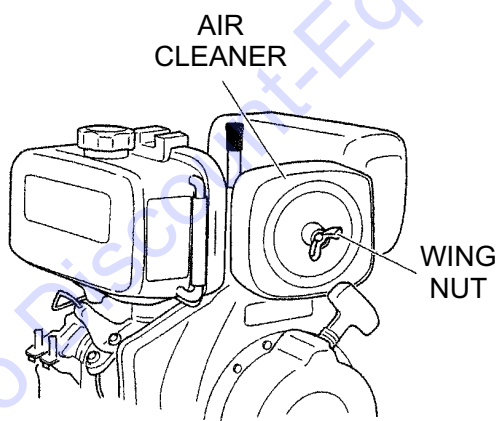


Figure 8. Checking the Air Cleaner

- Remove the air cleaner element (Figure 9) and inspect it for signs of wear or dirt. If air cleaner element is dirty, clean or replace element.

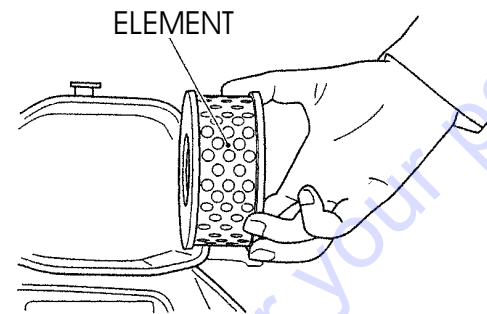


Figure 9. Air Cleaner Element

DANGER



EXPLOSIVE FUEL!

Motor fuels are highly flammable and can be dangerous if mishandled. **DO NOT** smoke while refueling. **DO NOT** attempt to refuel if the engine is hot or running.

Checking The Fuel

- Remove the fuel cap located on top of fuel tank.
- Visually inspect to see if fuel level is low. If fuel is low, replenish with diesel fuel (Figure 10).
- When refueling, be sure to use a strainer for filtration. **DO NOT** top-off fuel. Wipe up any spilled fuel.

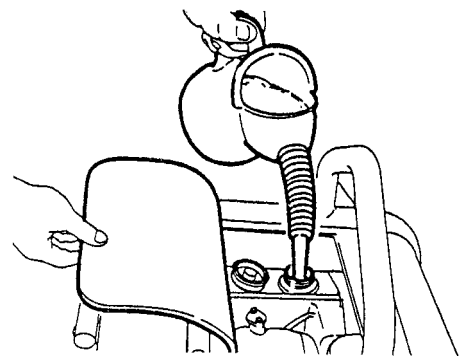


Figure 10. Refueling

OPERATION

CAUTION



DO NOT attempt to operate the compactor until the Safety, General Information and Inspection sections of this manual have been read and thoroughly understood.

This section is intended to assist the operator with the initial start-up of the compactor. It is extremely important that this section be read carefully before attempting to use the compactor in the field.

Refer to Figure 3 for the location of controls and components.

Releasing the Handle

1. Pull the handle release pin, (Figure 11) then push down on the hand grip to release the handle.

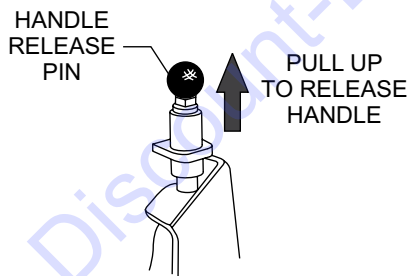
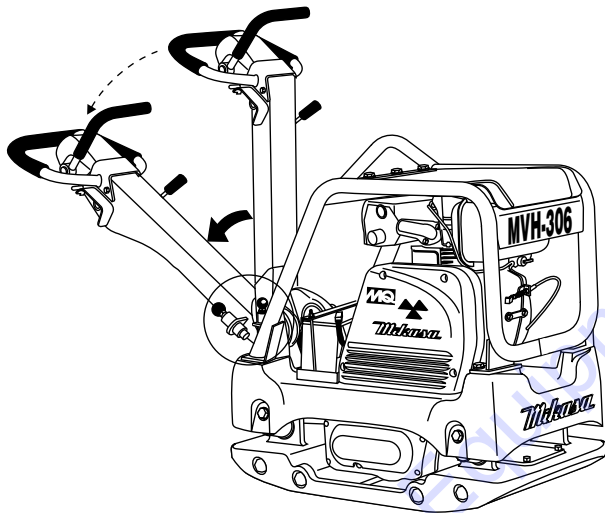


Figure 11. Handle Release Pin

Adjusting Handle Height

The height of the handle is adjustable for your comfort .

1. Loosen the butterfly screw (Figure 12).
2. Turn the grip clockwise to raise the handle or counterclockwise to lower the handle.

3. When the handle is raised to the desired height, tighten the butterfly screw.

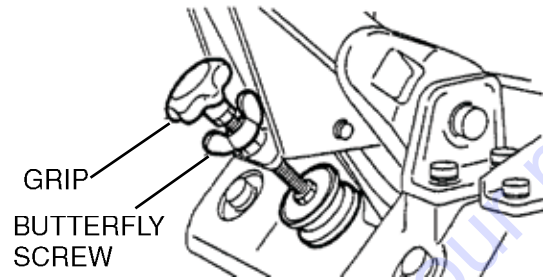


Figure 12. Handle Adjustment

STARTING THE ENGINE

Electric Start (Option)

1. Place the fuel cock (Figure 13) in the open position.

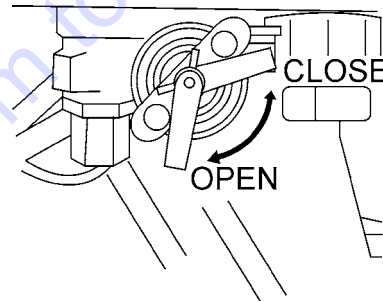


Figure 13. Fuel Cock Open Position)

2. Place the throttle lever (Figure 14) in the START position (center). Place the travel lever in the neutral position (center)

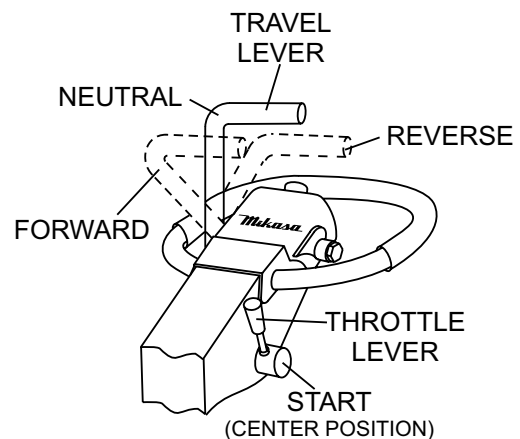


Figure 14. Travel/Throttle Lever (Start Position)

NOTICE

When starting a unit with an electric start capability, a decompressor is not normally required. However, when ambient temperature or battery charger level is low, use of a decompressor will help make the start-up easier.

3. Insert the ignition key into the ignition switch and turn it to the **RUN** position (Figure 15). The buzzer should sound at this time.
4. Turn the ignition key further to the right to the **START** position to start the engine. Buzzer stops sounding and the engine starts.
5. If the engine fails to start, **DO NOT** continue to rotate the ignition key for more than 5 seconds. Return the key to the **RUN** position and wait 10 seconds before starting again.

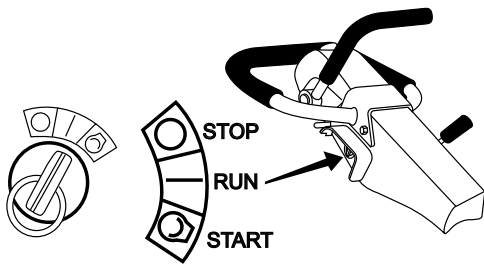


Figure 15. Starter Switch (Option)

CAUTION

While the engine is running, never try to turn the ignition key to the **START** position.

6. After starting the engine, continue to warm up the engine for about 3 to 10 seconds especially in cold weather.
7. If the buzzer does not stop sounding after the engine has started, shutdown engine immediately and check engine oil level. The buzzer functions as an engine oil level alarm warning device.

Recoil Start

1. Place the fuel cock in the **OPEN** position (Figure 13).
2. Move the throttle lever to the **START** position (Figure 14).
3. Grasp the starter grip (Figure 16) and slowly pull it out. The resistance becomes the hardest at a certain position, corresponding to the compression point. Pull the starter grip briskly and smoothly for starting.

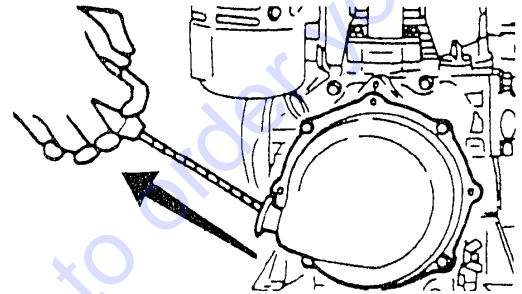


Figure 16. Engine Start Handle

4. Push down decompression lever (Figure 17) and release.

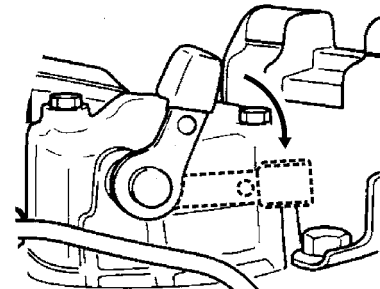


Figure 17. Decompression Lever

5. If the engine does not start, repeat steps 1 thru 4

TRAVELING

CAUTION

Make sure to follow all safety rules referenced in the safety section of this manual before operating compactor. Keep work area clear of debris and other objects that could cause damage to the compactor or bodily harm.

1. Grasp the compactor's hand grip, and move the engine throttle lever (Figure 18) quickly to the fast position.
2. With the throttle lever in the fast position, the engine speed should be around 3,600 RPM, therefore engaging the centrifugal clutch.

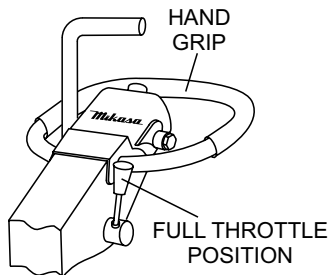


Figure 18. Throttle Lever (Fast)

NOTICE

ALWAYS move the throttle lever quickly without hesitation, because increasing the engine speed slowly causes the clutch to slip.

3. To make the compactor move in the forward direction push the travel lever (Figure 19) forward.

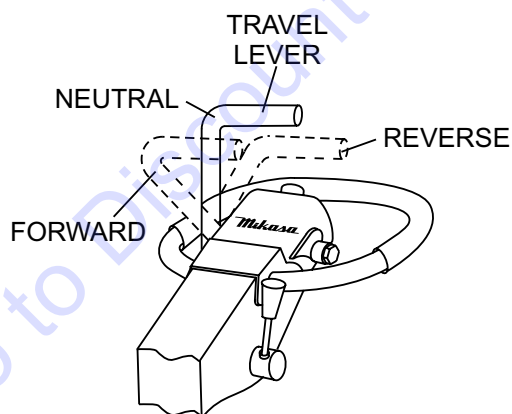


Figure 19. Travel Lever

4. To make the compactor move in the reverse direction pull the travel lever (Figure 19) backwards.
5. Firmly grasp the compactor's hand grip, the compactor will begin moving in the desired position when the direction lever has been placed in the desired position.
6. Slowly walk behind the compactor and be on the lookout for any large objects or foreign matter that might cause damage to the compactor or bodily injury.
7. If travel lever is placed in the neutral position, the machine will vibrate in place.
8. To move the compactor laterally, hold the hand grip firmly and swing compactor. **DO NOT** swing compactor while gripping the travel lever.

Normal Shutdown

1. Return the throttle lever to the **START** position (Figure 14). Allow the machine to cool down for 2 to 3 minutes.
2. Place the travel lever in the **NEUTRAL** position (Figure 20).
3. Place the throttle lever in the **STOP** position (Figure 20) to stop the engine.

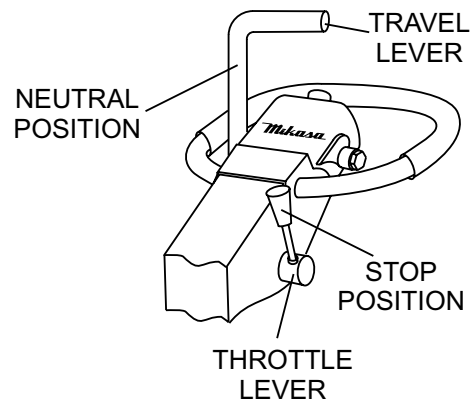


Figure 20. Throttle Lever (Stop)

4. If using an electric start unit, return the key switch to the **STOP** position (Figure 21) as soon as the engine stops.

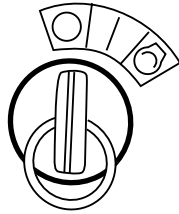


Figure 21. Starter Switch (STOP)

5. Place the fuel cock (Figure 22) in the closed position.

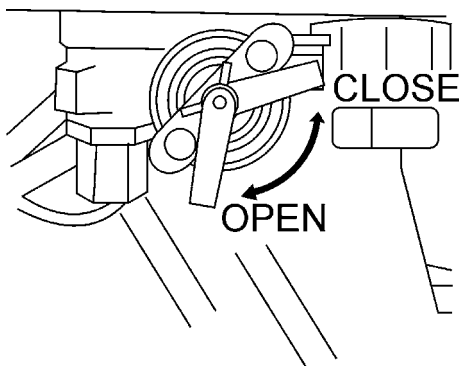


Figure 22. Fuel Cock (Closed Position)

Emergency Shutdown

1. For a recoil start type engine, move the throttle lever quickly to the **STOP** position.
2. For an electric start type engine, place the engine ignition switch in the **OFF** position.

STOWING THE HANDLE

1. Push up the handle upward (Figure 23) until the handle locks in place.

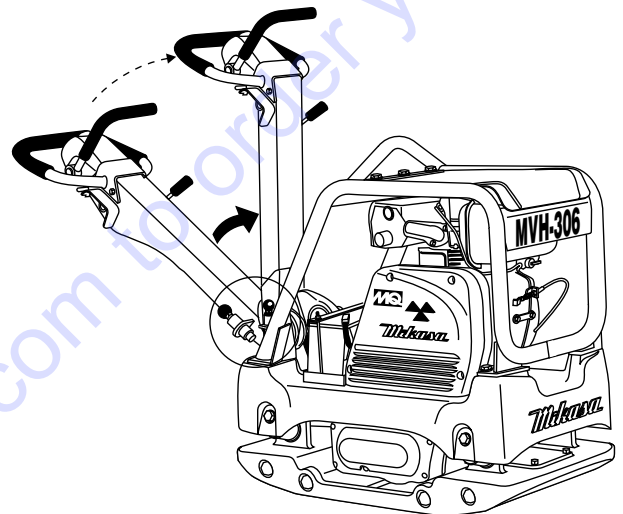


Figure 23. Stowing The Handle

OPERATION

COMPACTION SENSOR (MVH306 DSCPAS Only)

Compaction Analyzing System (COMPAS) is a system that uses an acceleration sensor to show real-time soil stiffness via LED's (light-emitting diode) turning on with each pass of the compactor.

This COMPAS improves compaction work efficiency because it can prevent an already properly compacted area from being compacted more than necessary and identify an area where more compaction is needed.

COMPAS also has a function to detect abnormalities such as vibration trouble (insufficient vibration frequency), ground trouble (soft soil) and other functional issues (Figure 24).

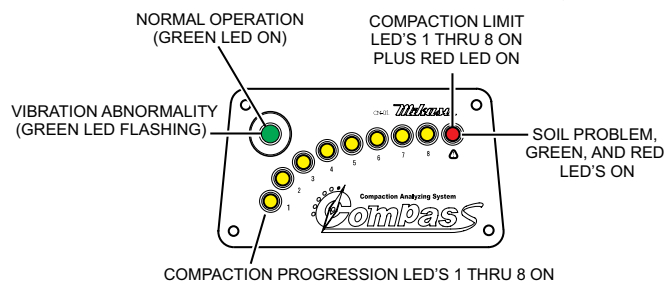


Figure 24. Compaction Sensor (COMPAS)

NOTICE

COMPAS can only show progression of the soil stiffness and is not meant to measure absolute soil density. When using COMPAS always calculate appropriate soil density by conducting proper testing such as plate load test and dynamic load test to best compliment the LED lighting progression with the actual measurement value.

Normal Compaction (Compaction Progression)

NOTICE

Not all yellow status LEDs will turn on. The progression of the yellow status LEDs depends on the type of soil being compacted. If compacting gravel (stiff soil) **potentially** all status LEDs will turn ON.

If compacting sand (soft soil), fewer status LED's will turn ON. Remember **DO NOT** over compact.

When the plate compactor is in idle mode the **green** LED will begin flashing and the **red** LED will turn on. As the engine RPM's are increased and compaction begins, the **green** LED will stop flashing and turn on (solid). The **red** LED will turn off and the #1 **yellow** LED will turn on. As compaction progresses the number of yellow LEDs, 2 thru 8 will turn on (Figure 25).

The number of yellow status LEDs that will turn on is soil dependent.

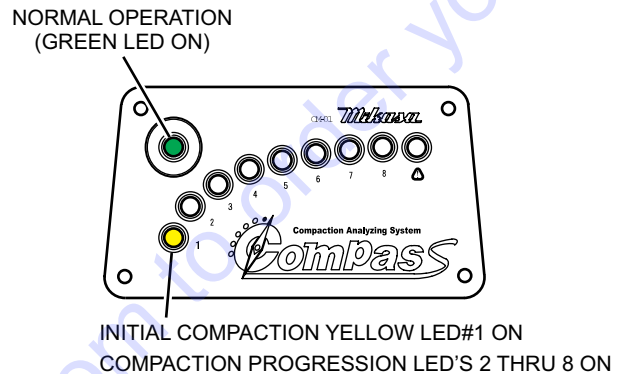


Figure 25. Compaction Progression

Normal Compaction (Compaction Limit)

The compaction limit (Figure 26) is achieved when all the yellow LED's 1 thru 8 including the red LED are all on, depending on type of soil being compacted . At this point the machine cannot compact any further. If the compaction results are not satisfactory then check and make sure the soil type, moisture content, lift and number of passes are proper for this machine.

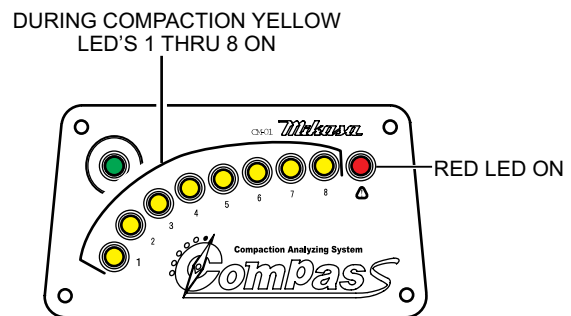


Figure 26. Compaction Limit

System Diagnostics to Detect Operational Abnormalities

Detection of ground trouble and soft ground

1. For a case of unstable ground or soft ground (soil containing high clay content) for which the use of this machine is not suitable, only the green and red LEDs will be on (Figure 27), with no yellow LED's on.

If this occurs it would be challenging to achieve the desired compaction results. Check to make sure the ground conditions are prepared to specification before proceeding with the compaction process.

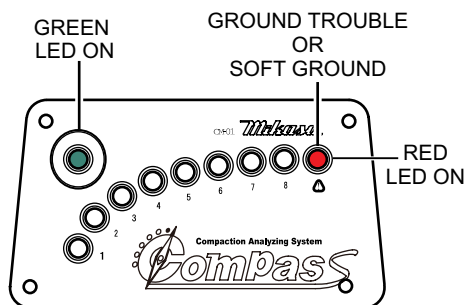


Figure 27. Ground Trouble or Soft Ground

Detection of Vibration Abnormality

2. When appropriate vibration frequency cannot be achieved during operation due to improper engine RPMs (Figure 28) the green LED will flash. When this occurs check the engine RPMs and the V-belt tension as it could be loose.

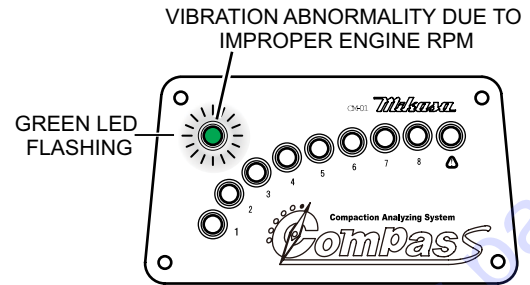


Figure 28. Vibration Abnormality Improper Engine RPM's

Function to Detect Electric System Abnormality

Sensor wire disconnection (between acceleration sensor and sensor panel)

3. If red and green LEDs are flashing alternately as shown in Figure 29 then please check the sensor wire because there is a possibility that it is disconnected.

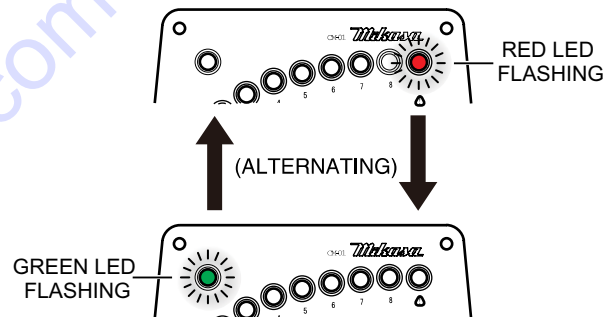


Figure 29. Sensor Wire Disconnection

Power cable disconnection (between battery and sensor panel)

4. If there are no LEDs on or flashing even when the key switch is turned on then please check the power cable because there is a possibility it is disconnected.

CAUTION

Inspection and other services should always be carried out on hard and level ground with the engine shutdown.

Inspection and Maintenance Service Tables.

To make sure your plate compactor is always in good working condition before using, carry out the maintenance inspection in accordance with Table 5 thru Table 7.

Table 5. MVH-306DS2/DSCPAS Machine Inspection

Item	Hours of Operation
Loose or Missing Screws	Every 8 hours (every day)
Damaged Parts	Every 8 hours (every day)
Function of Controlling System Part	Every 8 hours (every day)
Hydraulic System Leak	Every 100 hours
Vibrator Oil Check Every	Every 100 hours
Vibrator Oil Replacement	Every 300 hours
Hydraulic Oil Check Every	Every 100 hours
Hydraulic Oil Replacement	First after 200 hours, then every 1,000 hours
V-belt (clutch) Check	Every 200 hours
Battery Check	Every 100 hours

CAUTION

These inspection intervals are for operation under normal conditions. Adjust your inspection intervals based on the number hours plate compactor is in use, and particular working conditions.

NOTICE

Fuel piping and connections should be replaced every 2 years.

Table 6. MVH-306DS2/DSCPAS Engine Check

Item	Hours of Operation
Oil or Fuel Leak	Every 8 hours (every day)
Tightness of Fastening Threads	Every 8 hours (every day)
Engine Oil Check and Replenishment	Every 8 hours (every day) (Replenish to specified maximum level)
Engine Oil Replacement	After first 25 hours then every 50 to 100 hours
Air Filter Cleaning Every	100 hours
See separate engine manual for details on engine check.	

Daily Service

- Check for leakage of fuel or oil.
- Check for loose screws including tightness. See Table 7 below (tightening torque), for retightening:

**Table 7. Tightening Torque
(in. kg/cm) Diameter**

Material	6mm	8mm	10mm	12mm	14mm	16mm	18mm	20mm
4T	70	150	300	500	750	1,100	1,400	2,000
6-8T	100	250	500	800	1,300	2,000	2,700	3,800
11T	150	400	800	1,200	2,000	2,900	4,200	5,600
*	100	300~ 350	650~ 700					

* (In case counter-part is of aluminum)
(Threads in use with this machine are all right handed)
Material and quality of material is marked on each bolt, and screw.

- Remove soil and clean the bottom of compaction plate.
- Check hand pump, piping and hose for any leakage. A loosened hydraulic hose can be a cause for leakage. Check hydraulic hose connections with wrench applied for tightness.
- Check engine oil.

Engine Oil Replacement:

1. Replace engine oil, in first 25 hours of operation and every 50 to 100 hours afterwards.
2. Oil may be drained more easily when it is warm after operation (For more details, see separate engine Owner's Manual).

Air Filter (Every 6 Months or 400 Hours)

1. The air filter element (Figure 30) should be cleaned because a clogged air cleaner can cause poor engine starting, lack of power and shorten engine life substantially.

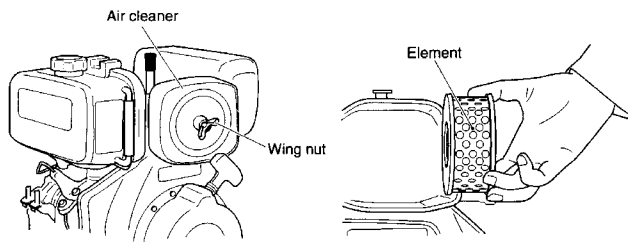


Figure 30. Engine Air Filter and Element

2. To clean or replace air filter loosen the wing nut on the air filter housing (Figure 30) remove the cover and take out air filter cartridge. If only cleaning of the air filter is desired blow through the air filter cartridge from the inside, moving a jet of dry compressed air up and down until all dust is removed.

CAUTION

NEVER attempt to check the V-belt with the engine running. Severe injury can occur if your hand gets caught between the V-belt and the clutch (Figure 31). Always use safety gloves.

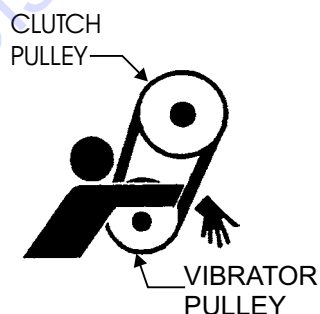


Figure 31. V-Belt Hazard

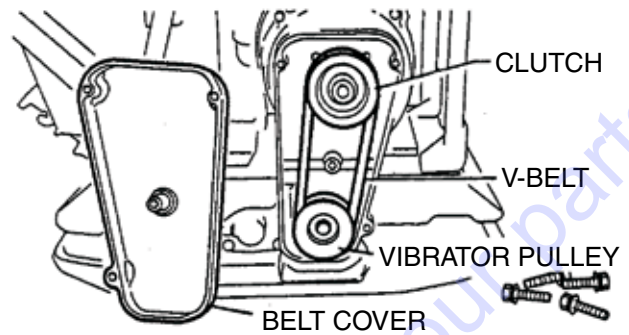


Figure 32. V-Belt Check

Replacing the V-belt

- Remove the belt cover (Figure 32). Engage an offset wrench 3/4" (19 mm) or the like to vibrator pulley (lower) fastening bolt. Engage wastecloth or the like at midway of V-belt on the left side and while pulling it back strongly, rotate the offset wrench clockwise so that the V-belt will come off.

Reinstalling the V-belt

- Engage V-belt to lower vibrator pulley and push the V-belt to left side of upper clutch and, in the same manner as in removal, rotate offset wrench clockwise so that the V-belt goes back on.

Checking Clutch

- Check the clutch simultaneously with V-belt checking. With belt cover removed, check outer drum of the clutch for seizure and "V" groove for wear or damage with your eyes. Clean the "V" groove as necessary. If the shoe is worn, power transmission becomes deficient and slipping will result.

Replacing Clutch

- Remove V-belt. Remove bolt at engine power output by giving a light tap with a hammer to an engaged wrench and rotate bolt counterclockwise. Remove clutch with a pulley extractor. To reinstall, reverse the procedure.

CAUTION

When ever the compactor's vibration becomes weak or lost during normal operation regardless of operation hours, check the V-belt and clutch immediately.

Vibrator Oil Level Check

NOTICE

ALWAYS clean the area around the vibrator oil level check plug before removing oil check plug. This will prevent dirt and debris from entering the system.

1. In every 100 hours of operation, with the machine positioned horizontally, use a 3/4" (19 mm) wrench and remove vibrator oil level check plug (Figure 33). Visually inspect and see if vibrator oil level is up to filler port. Be sure to clean area around check hole to prevent dirt and dust from entering.

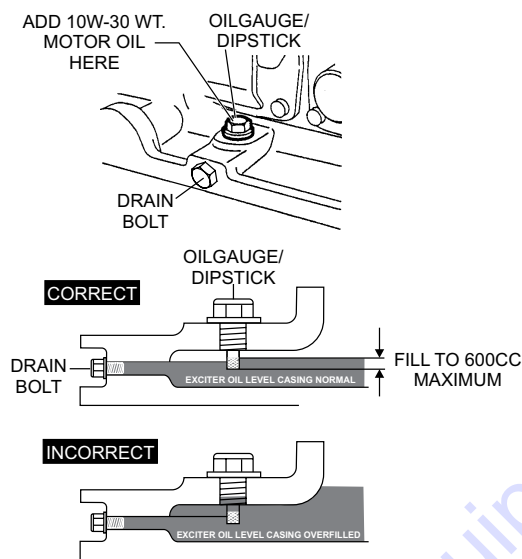


Figure 33. Vibrator Oil Drain and Check Plugs

Draining Vibrator Oil

1. Replace vibrator oil after first 200 hours and in every 1,000 hours of operation. Oil capacity is 600 cc.
2. Position handle bar vertically (storage position).
3. Using a 14 mm wrench remove the vibrator oil drain plug (Figure 33) from the vibrating plate assembly.

NOTICE

For draining oil through level check hole, have the machine inclined with a sleeper or the like placed under the compaction plate on opposite side.

4. After hydraulic oil has been completely drained from machine, fill with 10W-30 motor oil to the appropriate safe operating level (Figure 33).
5. Reinstall drain plug into vibrating plate assembly. Apply seal tape or Loctite #575 to thread portion of drain plug.

Draining Hydraulic Oil

1. Disconnect the hydraulic hose (Figure 34) connected to the hydraulic oil cylinder.
2. Push the travel lever back and forth to drain the hydraulic oil from the hand pump (hydraulic oil reservoir).

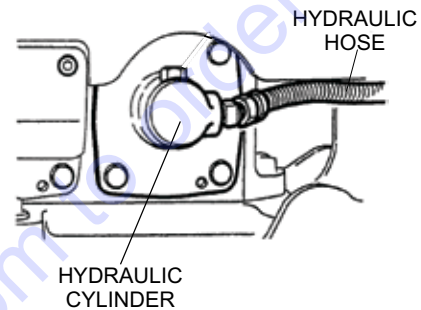


Figure 34. Hydraulic Oil Cylinder/Hose

3. After draining hydraulic oil, reconnect hydraulic oil hose to cylinder.
4. Place handle in upright position. Pull travel lever all the way back (reverse), and using a rope, secure travel lever to hand grip.

Adding Hydraulic Oil

1. Remove the breather cap and oil plug (Figure 35) from the hydraulic oil tank using a 24mm hex socket.

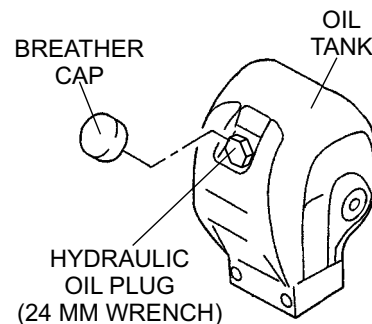


Figure 35. Hydraulic Oil Tank

- Using a funnel, add Shell Tellus Oil #32 or equivalent to the hydraulic oil tank through the oil filler port (Figure 36). Oil tank capacity is 18.7 fl. oz (550 cc).

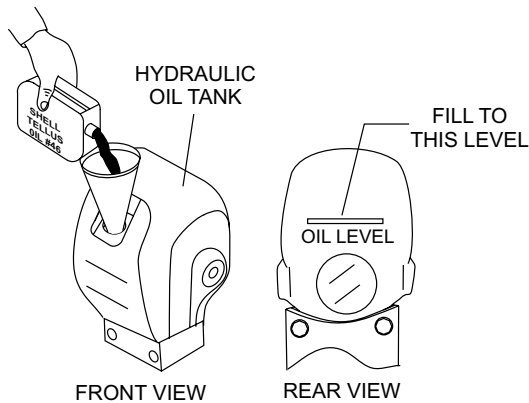


Figure 36. Adding Hydraulic Oil

CAUTION

Make sure hydraulic oil is at a normal safe operating level. **DO NOT** over fill. Over filling (excessive oil) will cause excess oil to blow out of breather plug.

- Loosen bleeder plug located at top of hydraulic cylinder on side of vibrator (Figure 37). Air remaining in the circuit will be forced out of the bleeder plug. Once all air has been purged from the hydraulic system, tighten bleeder plug securely
- Reinsert oil plug into hydraulic oil tank and tighten securely. Reinstall breather cap.

NOTICE

The bleeder plug should only be loosened, but not removed.

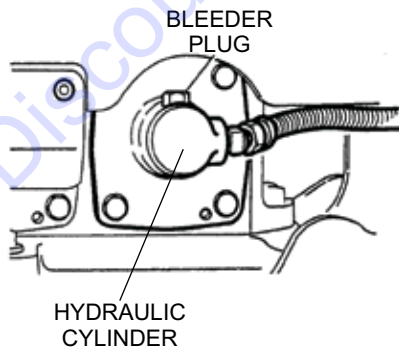


Figure 37. Bleeder Plug

CAUTION

ALWAYS wear safety glasses or face mask, protective clothes, and rubber gloves when working with battery.

BATTERY MAINTENANCE (Option)

Mishandling of the battery shortens the service life of the battery and adds to maintenance cost. When handling the battery do the following:

- The battery electrolyte contains sulfuric acid, be careful not to let the battery electrolyte come in contact with your body or clothing.
- Always check the battery terminals periodically to ensure that they are in good condition.
- Always wear eye protection and rubber gloves, since the battery contains sulfuric acid which burns skin and eats through clothing. In case of contact, flush thoroughly with water and contact a doctor immediately.
- Use wire brush or sand paper to clean the battery terminals.
- Always check battery for cracks or any other damage. If white pattern appears inside the battery or paste has accumulated at the bottom, replace the battery.
- If the compactor will not be in operation for a long period of time, store in cool dry place and check the battery charge level every month to maintain the performance of the battery.
- Check the battery regularly and make sure that each electrolyte level is to the bottom of the vent well (Figure 38). If necessary add only distilled water in a well-ventilated area.

BATTERY ELECTROLYTE LEVEL

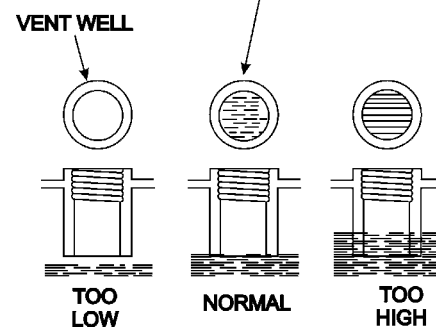



Figure 38. Battery Electrolyte Levels

BATTERY CHARGING

- **DO NOT** charge battery with the battery cables connected to the compactor. The diodes will be damaged by the high voltage.
- Batteries generate hydrogen gas which can be highly explosive. **DO NOT** smoke or allow flames or sparks near the battery, especially during charging of the battery. 
- Charge the battery in a open air environment (plenty of ventilation).
- Before charging, remove the cap from each cell of the battery.
- Connect the positive (+) lead of the charger to the positive (+) terminal of the battery and the negative (-) lead of the charger to the negative (-) terminal of the battery. **DO NOT** reverse the polarity when charging. Reverse polarity will damage the charger rectifier or the battery.
- Battery fluid will be lost through continuous charging and discharging.
- Discontinue charging if the electrolyte temperature exceeds 117° F (45° C).

NOTICE

During summer much more battery fluid is lost than in winter. Before starting, check battery electrolyte levels and replenish with distilled water to the upper mark on the battery.

BATTERY CABLE CONNECTION (Option)

1. Take off the battery cover by removing the M6 nuts that secure the battery holder to the cover.
2. When removing battery cables, disconnect the ground side (normally negative) first (Figure 39).
3. When installing battery cable connect the ground side (normally negative) last.

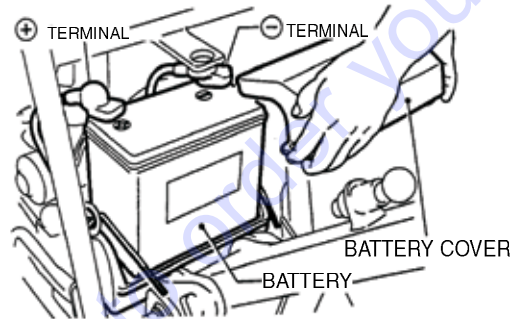


Figure 39. Removing Battery Cover

CHECKING FUEL FILTER

1. Clean the fuel filter every 3 months or 200 hours.
2. Replace fuel filter every 6 months or 400 hours.
3. To clean the fuel filter, loosen the nuts (Figure 40) of the fuel cock and pull out the filter from the F.O. tank filler port. Wash the filter thoroughly with diesel fuel oil.
4. Reinstall fuel filter and connect all associated hardware

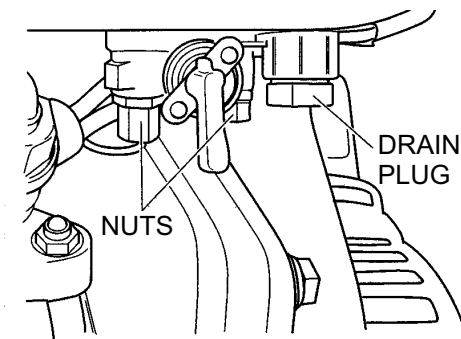


Figure 40. Fuel Filter

LONG TERM STORAGE

When storing your compactor for long periods do the following:

1. Run the engine at idle speed for 3-5 minutes.
2. Stop the engine. Drain the engine crankcase oil while the engine is still warm. Fill Engine crankcase with fresh oil.
3. Remove the rubber plug (Figure 41) on the rocker arm cover and add about 2 cc of lube oil. Reinstall rubber plug.

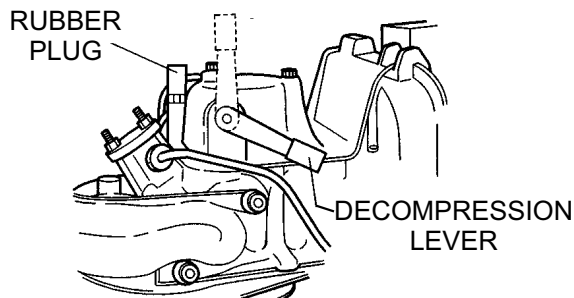


Figure 41. Decompression Lever

4. For recoil type compactors, push the decompression down (non-decompression position) and hold it while you pull the recoil starter grip (Figure 42) rope 2 or 3 times. **DO NOT** start the engine.

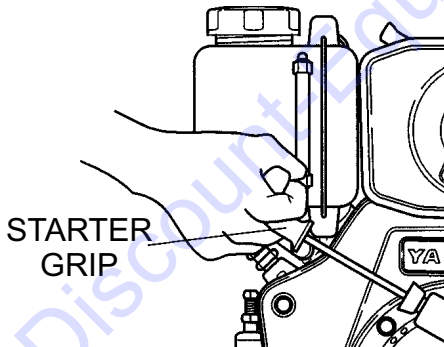


Figure 42. Recoil Starter Grip

5. For electric start type compactors, turn the engine for 2 or 3 seconds with the decompression lever set in the non-decompression position, and the starter key at the **START** position. **DO NOT** start the engine.
6. Pull the decompression lever up. Pull the recoil starter grip slowly. **STOP** when it feels tight. This closes the intake and exhaust valves (compression position), and helps prevents ruts from forming.
7. Wipe any oil or dirt that may have accumulated on the compactor.
8. Store compactor in a cool dry place out of the reach of children or unauthorized personnel

EXPLANATION OF CODE IN REMARKS COLUMN

The following section explains the different symbols and remarks used in the Parts section of this manual. Use the help numbers found on the back page of the manual if there are any questions.

NOTICE

The contents and part numbers listed in the parts section are subject to change **without notice**. Multiquip does not guarantee the availability of the parts listed.

SAMPLE PARTS LIST

NO.	PART NO.	PART NAME	QTY.	REMARKS
1	12345	BOLT	1	INCLUDES ITEMS W/%
2%		WASHER, 1/4 IN.		NOT SOLD SEPARATELY
2%	12347	WASHER, 3/8 IN. ..1		MQ-45T ONLY
3	12348	HOSE	A/R	MAKE LOCALLY
4	12349	BEARING	1	S/N 2345B AND ABOVE

NO. Column

Unique Symbols — All items with same unique symbol (@, #, +, %, or >) in the number column belong to the same assembly or kit, which is indicated by a note in the “Remarks” column.

Duplicate Item Numbers — Duplicate numbers indicate multiple part numbers, which are in effect for the same general item, such as different size saw blade guards in use or a part that has been updated on newer versions of the same machine.

NOTICE

When ordering a part that has more than one item number listed, check the remarks column for help in determining the proper part to order.

PART NO. Column

Numbers Used — Part numbers can be indicated by a number, a blank entry, or TBD.

TBD (To Be Determined) is generally used to show a part that has not been assigned a formal part number at the time of publication.

A blank entry generally indicates that the item is not sold separately or is not sold by Multiquip. Other entries will be clarified in the “Remarks” Column.

QTY. Column

Numbers Used — Item quantity can be indicated by a number, a blank entry, or A/R.

A/R (As Required) is generally used for hoses or other parts that are sold in bulk and cut to length.

A blank entry generally indicates that the item is not sold separately. Other entries will be clarified in the “Remarks” Column.

REMARKS Column

Some of the most common notes found in the “Remarks” Column are listed below. Other additional notes needed to describe the item can also be shown.

Assembly/Kit — All items on the parts list with the same unique symbol will be included when this item is purchased.

Indicated by:

“INCLUDES ITEMS W/(unique symbol)”

Serial Number Break — Used to list an effective serial number range where a particular part is used.

Indicated by:

“S/N XXXXX AND BELOW”

“S/N XXXX AND ABOVE”

“S/N XXXX TO S/N XXX”

Specific Model Number Use — Indicates that the part is used only with the specific model number or model number variant listed. It can also be used to show a part is NOT used on a specific model or model number variant.

Indicated by:

“XXXXX ONLY”

“NOT USED ON XXXX”

“Make/Obtain Locally” — Indicates that the part can be purchased at any hardware shop or made out of available items. Examples include battery cables, shims, and certain washers and nuts.

“Not Sold Separately” — Indicates that an item cannot be purchased as a separate item and is either part of an assembly/kit that can be purchased, or is not available for sale through Multiquip.

SUGGESTED SPARE PARTS

MVH306DS2/DSCPAS W/YANMAR L70V6 DIESEL ENGINE

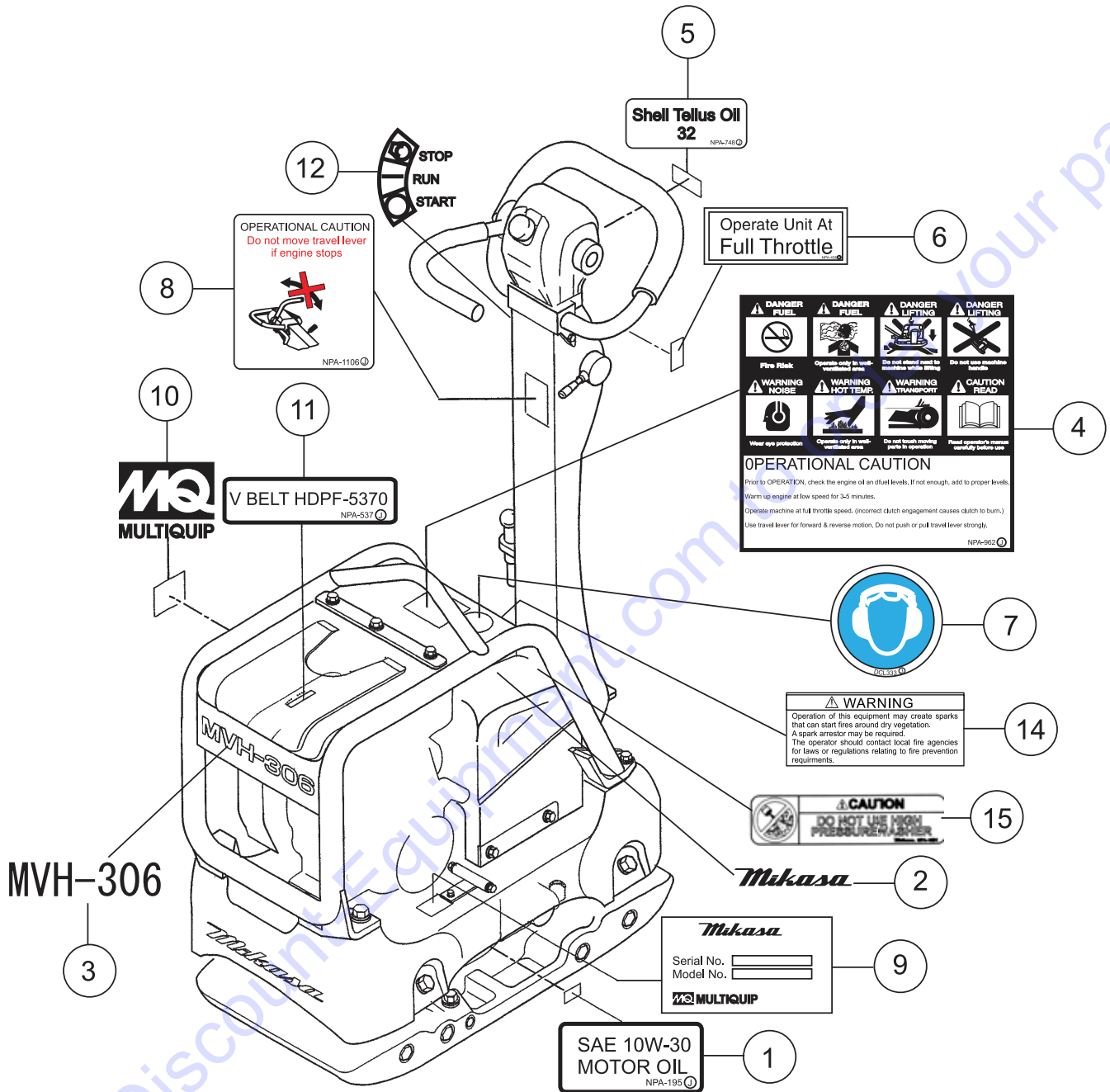
1 to 3 Units

Qty.	P/N	Description
1.....	956100054.....	THROTTLE WIRE
2.....	070200373.....	V-BELT
3.....	11425012580.....	ELEMENT W/ PRE-FILTER
1.....	16081076630.....	STARTER ROPE
2.....	11425055121.....	FUEL FILTER W/GASKET
1.....	11428855010.....	CAP, FUEL TANK W/GASKET
1.....	11425035110.....	LUBE OIL STRAINER
1.....	11425055100.....	FUEL STRAINER
1.....	955300680.....	IGNITION SWITCH W/ KEY
3.....	955000010.....	KEY, IGNITION SWITCH

NOTICE

Part numbers on this Suggested Spare Parts list may supersede/replace the part numbers shown in the following parts lists.

NAMEPLATES AND DECALS

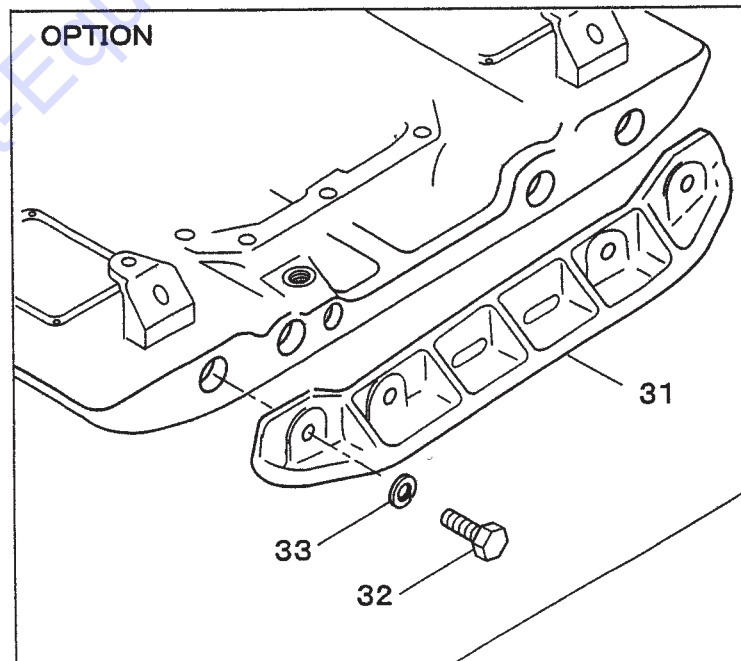
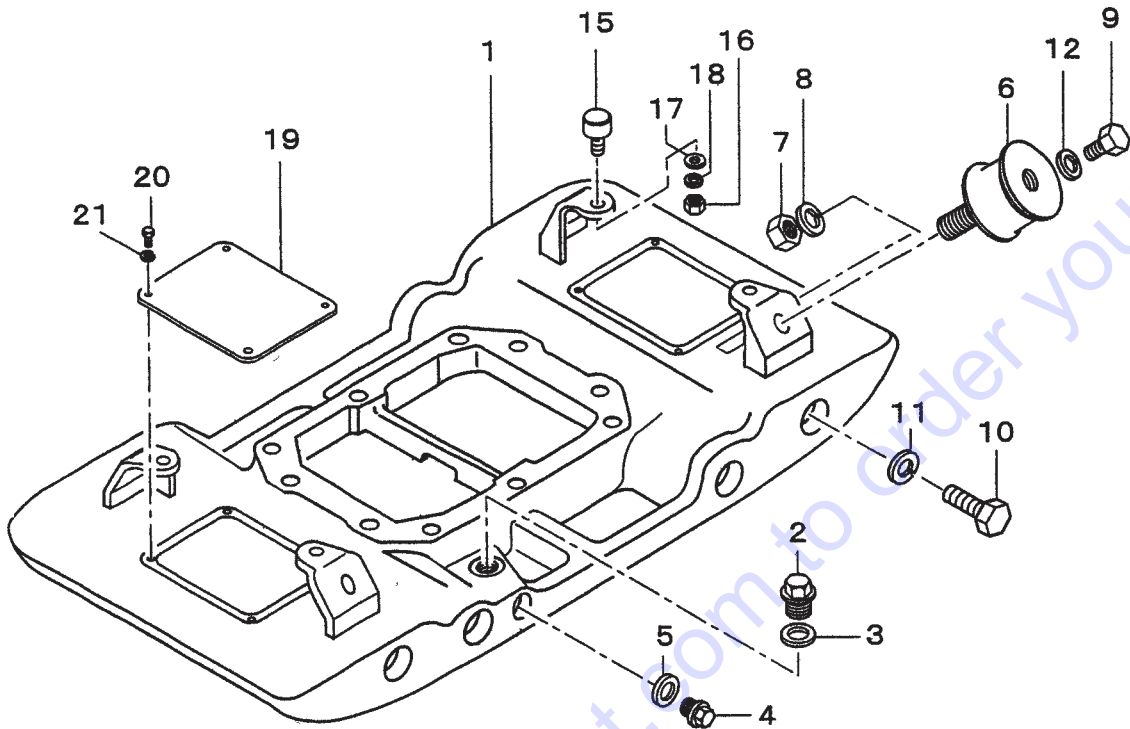


NAMEPLATES AND DECALS

<u>NO.</u>	<u>PART NO.</u>	<u>PART NAME</u>	<u>QTY.</u>	<u>REMARKS</u>
1	920201950	DECAL: OIL SAE 10W-30	1	
2	920105070	DECAL: MIKASA LOGO	1	ELECT. START MODEL ONLY
3	920110370	DECAL: MODEL LOGO MVH-306	1	
4	920209620	DECAL: CAUTION	1	
5	920211090	DECAL: SHELL TELLUS OIL 32	1	
6	920204580	DECAL: FULL THROTTLE	1	
7	920203330	DECAL: EAR PROTECTION	1	
8	920211060	DECAL: CAUTION (TRAVEL LEVER)	1	
9	920213920	DECAL: SERIAL NO.	1	CONTACT PARTS DEPT.
9	920216620	DECAL: SERIAL NO. (PAS)	1	CONTACT PARTS DEPT.
10	920201580	DECAL: MQ LOGO	1	
11	920211010	DECAL: V-BELT HDPF-5370	1	
12	920106760	DECAL: STOP-RUN-START	1	
14	920214100	DECAL: E/G FIRE WARNING	1	
15	920216610	DECAL: CAUTION (FOR WASHING)	1	

Go to Discount-Equipment.com to order your parts

VIBRATING PLATE ASSY.



VIBRATING PLATE ASSY.

<u>NO.</u>	<u>PART NO.</u>	<u>PART NAME</u>	<u>QTY.</u>	<u>REMARKS</u>
1	464117840	VIBRATING PLATE	1	
2	464460660	DRAIN PLUG	1	
3	953402930	COPPER PACKING 19X30X1	1	
4	953400270	PLUG 1/4X14 10L	1	
5	953405260	PACKING 1/4 (CU)	1	
6	939010260	SHOCK ABSORBER 110X60H	4	
7	020316130	NUT M16	4	
8	030216400	WASHER, LOCK M16	4	
9	001221635	BOLT 16X35 T	4	
10	001221830	BOLT 18X30 T	8	
11	58407	WASHER, LOCK M18	8.....	REPLACES P/N 030218460
12	030216400	WASHER, LOCK M16	4	
15	939010010	SHOCK ABSORBER, STOPPER 45	4	
16	020310080	NUT M10	4	
17	031110160	WASHER, FLAT M10	4	
18	030210250	WASHER, LOCK M10	4	
19	464343730	COVER, VIBRATING PLATE	2	
20	011008015	BOLT 8X15 T	8.....	REPLACES P/N 001220815
21	030208200	WASHER, LOCK M8	8	
31	52993	EXTENSION PLATE	2.....	REPLACES P/N 456210690
32	012218050	BOLT 18X50 T	8.....	REPLACES P/N 001221850
33	58407	WASHER, LOCK M18	8.....	REPLACES P/N 030218460

PARTS FINDER

**Search Website
by Part Number**



**Search Manual
Library For Parts
Manual & Lookup Part
Numbers – Purchase
or Request Quote**

Search Manuals

Enter your information to help us find the right parts manual for your machine.

* Brand:

* Model:

* Serial:

* Part Number:

SEARCH

**Can't Find Part or
Manual? Request Help
by Manufacturer,
Model & Description**

Parts Order Form

Please fill in the following information to help us find the right part for your machine.

Manufacturer:	<input type="text"/>
Model:	<input type="text"/>
Description:	<input type="text"/>
Part Number:	<input type="text"/>
Quantity:	<input type="text"/>
Notes:	<input type="text"/>

Discount-Equipment.com is your online resource for quality parts & equipment.

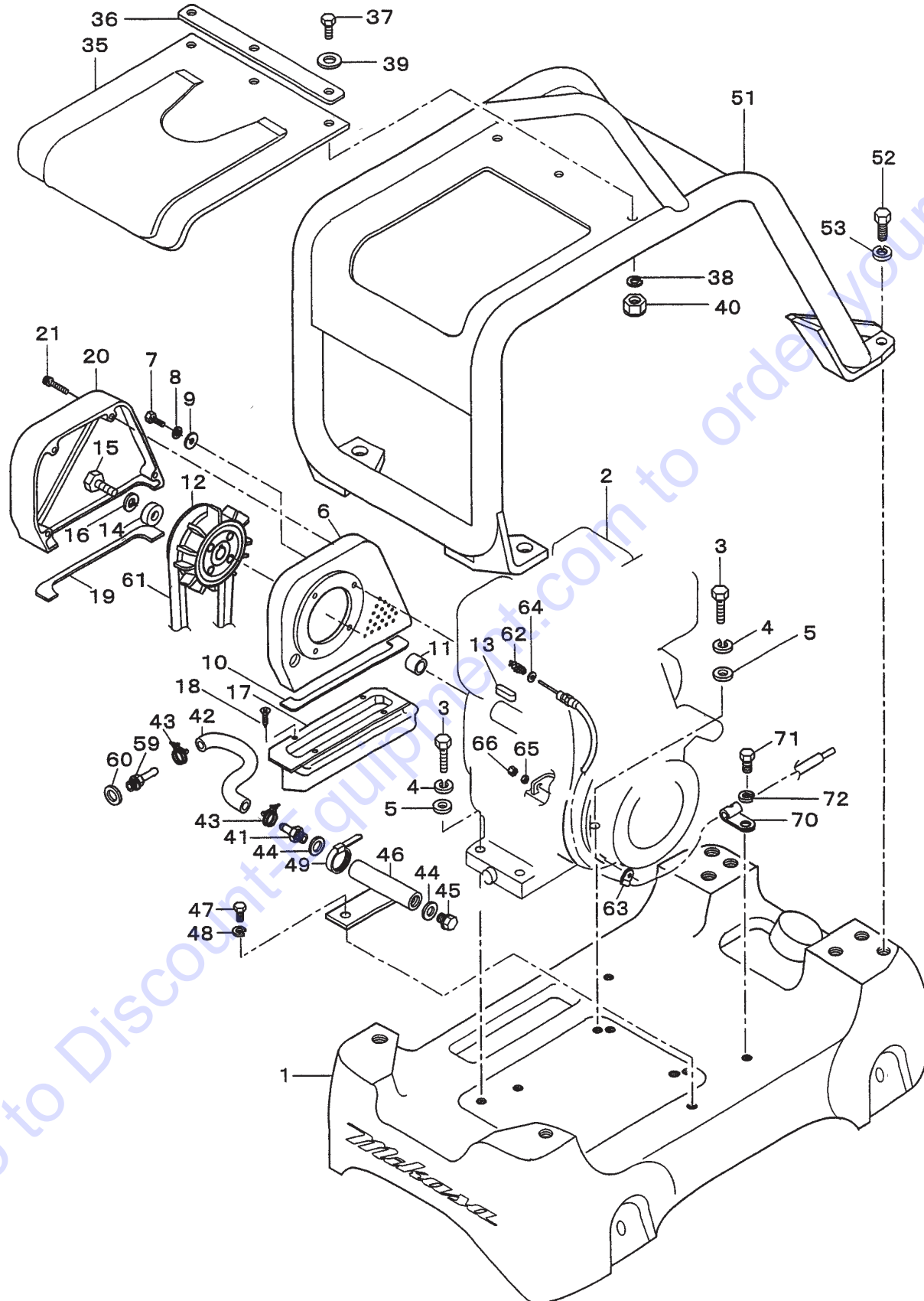
Florida: **561-964-4949** Outside Florida TOLL FREE: **877-690-3101**

Need parts?

Click on this link: <http://www.discount-equipment.com/category/5443-parts/> and choose one of the options to help get the right parts and equipment you are looking for. Please have the machine model and serial number available in order to help us get you the correct parts. If you don't find the part on the website or on one of the online manuals, please fill out the request form and one of our experienced staff members will get back to you with a quote for the right part that your machine needs.

We sell worldwide for the brands: Genie, Terex, JLG, MultiQuip, Mikasa, Essick, Whiteman, Mayco, Toro Stone, Diamond Products, Generac Magnum, Airman, Haulotte, Barreto, Power Blanket, Nifty Lift, Atlas Copco, Chicago Pneumatic, Allmand, Miller Curber, Skyjack, Lull, Skytrak, Tsurumi, Husquvarna Target, Stow, Wacker, Sakai, Mi-T-M, Sullair, Basic, Dynapac, MBW, Weber, Bartell, Bennar Newman, Haulotte, Ditch Runner, Menegotti, Morrison, Contec, Buddy, Crown, Edco, Wyco, Bomag, Laymor, EZ Trench, Bil-Jax, F.S. Curtis, Gehl Pavers, Heli, Honda, ICS/PowerGrit, IHI, Partner, Imer, Clipper, MMD, Koshin, Rice, CH&E, General Equipment, Amida, Coleman, NAC, Gradall, Square Shooter, Kent, Stanley, Tamco, Toku, Hatz, Kohler, Robin, Wisconsin, Northrock, Oztec, Toker TK, Rol-Air, APT, Wylie, Ingersoll Rand / Doosan, Innovatech, Con X, Ammann, Mecalac, Makinex, Smith Surface Prep, Small Line, Wanco, Yanmar

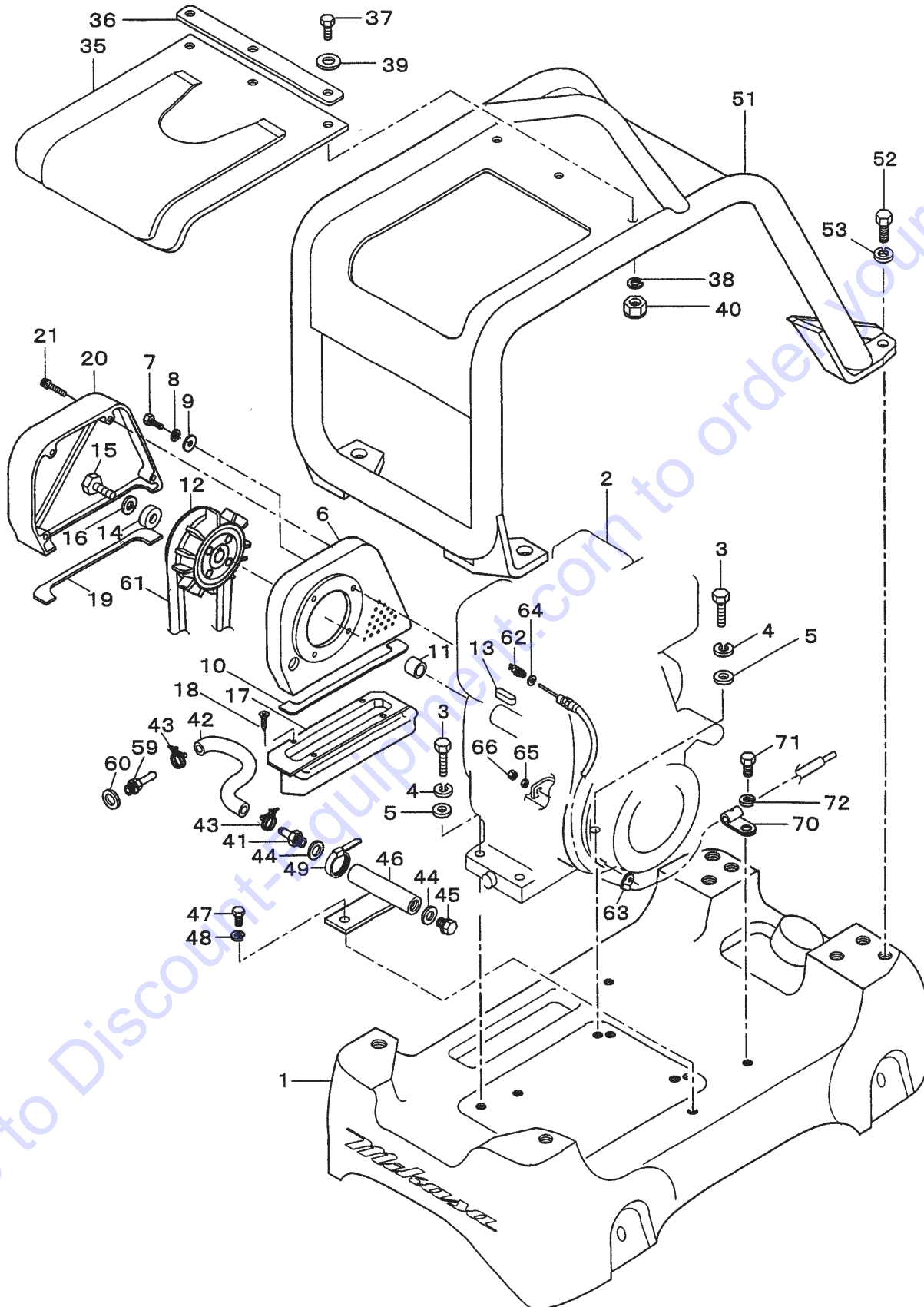
BASE AND ENGINE ASSY.



BASE AND ENGINE ASSY.

<u>NO.</u>	<u>PART NO.</u>	<u>PART NAME</u>	<u>QTY.</u>	<u>REMARKS</u>
1	464117850	BASE	1	
2	914410026	ENGINE ASSY. L70V6 (YANMAR)	1	
3	012210040	BOLT 10X40 T	4	REPLACES P/N 001221040
4	030210250	WASHER, LOCK M10	4	
5	031110160	WASHER, FLAT M10	4	
6	464216560	BELT COVER (IN)	1	
7	011208025	BOLT 8X25 T	4	REPLACES P/N 001220825
8	030208200	WASHER, LOCK M8	4	
9	0401450080	WASHER, FLAT M8	4	REPLACES P/N 031108160
10	464343670	DUST-PROOF SPONGE (IN)	1	
11	464457360	SPACER/MVH-306	1	
12	456343340	CLUTCH ASSY./CHM03/W.FAN	1	
13	951406790	KEY 7X7X36 RR	1	REPLACES P/N 22512070360
14	952400690	WASHER 9X35X4.5	1	
15	011208030	BOLT 8X30 T	1	REPLACES P/N 001220830
16	030208200	WASHER, LOCK M8	1	
17	464216640	DUST-PROOF COVER	1	
18	092006010	FLAT HEAD SCREW 6X10	3	
19	464343660	DUST-PROOF SPONGE (OUT)	1	
20	464216590	BELT COVER (OUT)	1	
21	001521050	SOCKET HEAD BOLT 10X50 T	4	
35	464117920	RUBBER COVER (GUARD FRAME)	1	
36	456449950	PLATE, COVER	1	
37	011208030	BOLT 8X30 T	3	REPLACES P/N 001220830
38	030208200	WASHER, LOCK M8	3	
39	0401450080	WASHER, FLAT M8	3	REPLACES P/N 031108160
40	022710809	NYLON NUT M8	3	

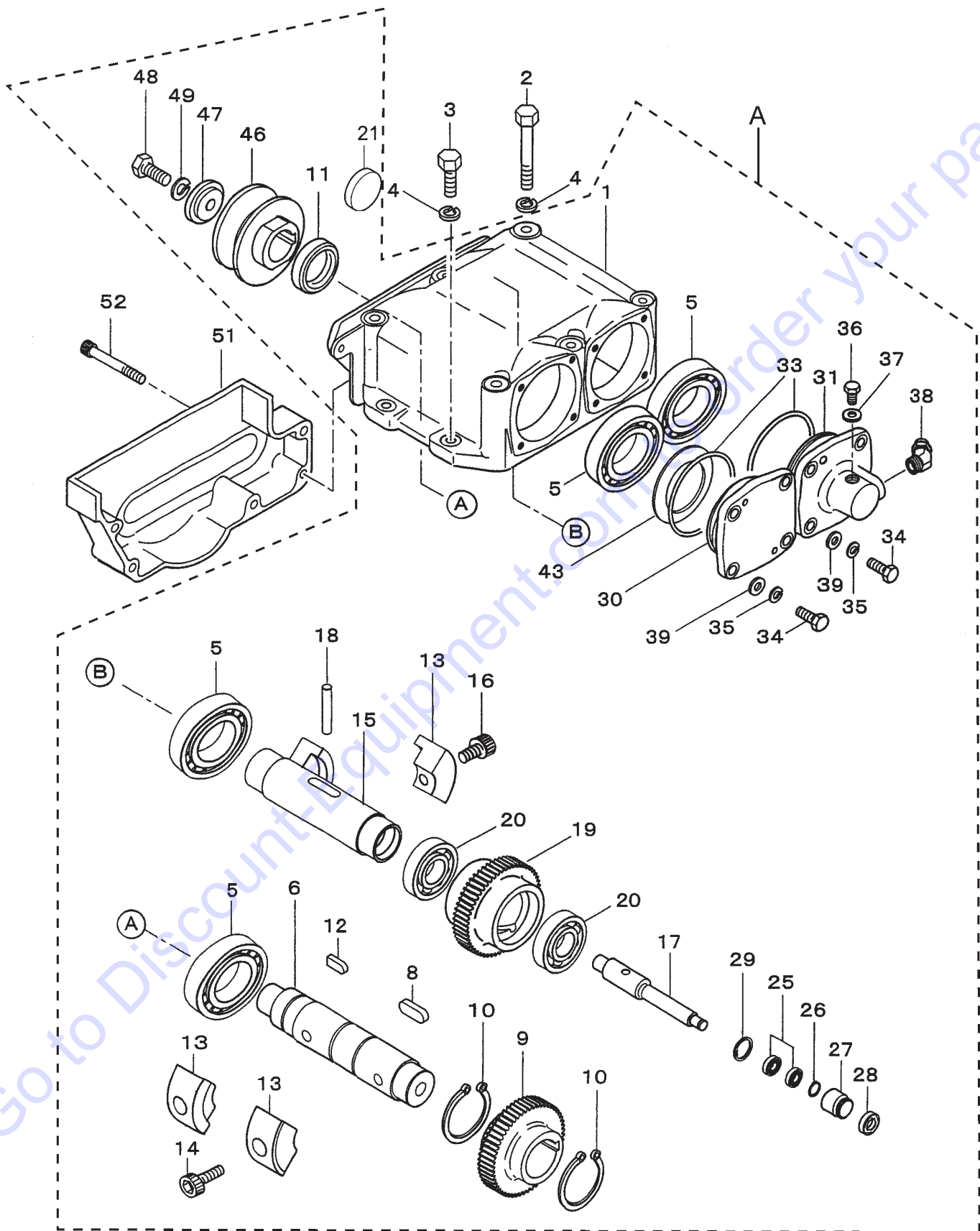
BASE AND ENGINE ASSY. (CONTINUED)



BASE AND ENGINE ASSY. (CONTINUED)

<u>NO.</u>	<u>PART NO.</u>	<u>PART NAME</u>	<u>QTY.</u>	<u>REMARKS</u>
41	2556390111	UNION TIP, DRAIN	1.....	REPLACES P/N 459010060
42	2556380103	DRAIN HOSE	1.....	REPLACES P/N 459010070
43	0091720000	HOSE BAND	2.....	REPLACES P/N 459010090
44	0211140020	GASKET (OIL DRAIN)	2.....	REPLACES P/N 459010080
45	R0401140030	PLUG	1.....	REPLACES P/N 459010100
46	464457380	DRAIN JOINT	1	
47	014208020	BOLT 8X20 T	1.....	REPLACES P/N 001220820
48	030208200	WASHER, LOCK M8	1	
49	454010020	CLAMP TC-100	1	
51	464118780	GUARD HOOK	1	
52	012214030	BOLT 14X30 T	4.....	REPLACES P/N 001221430
53	030214350	WASHER, LOCK M14	4	
59	459455560	UNION, OIL DRAIN	1	
60	459010110	SEAL WASHER 16S	1	
61	070200373	V-BELT	1	
62	459000020	RETURN SPRING	1	
63	2067550101	CLAMP CP.	1.....	REPLACES P/N 151010680
64	58151	WASHER, FLAT M5	1.....	REPLACES P/N 031105080
65	020406040	NUT M6, H=4.2	1	
66	959406800	NUT M6 (SPECIAL-L10)	1	
70	959407260	CLIP D6 (FOR M10)	1	
71	012210015	BOLT 10X15 T	1.....	REPLACES P/N 001221015
72	030210250	WASHER, LOCK M10	1	

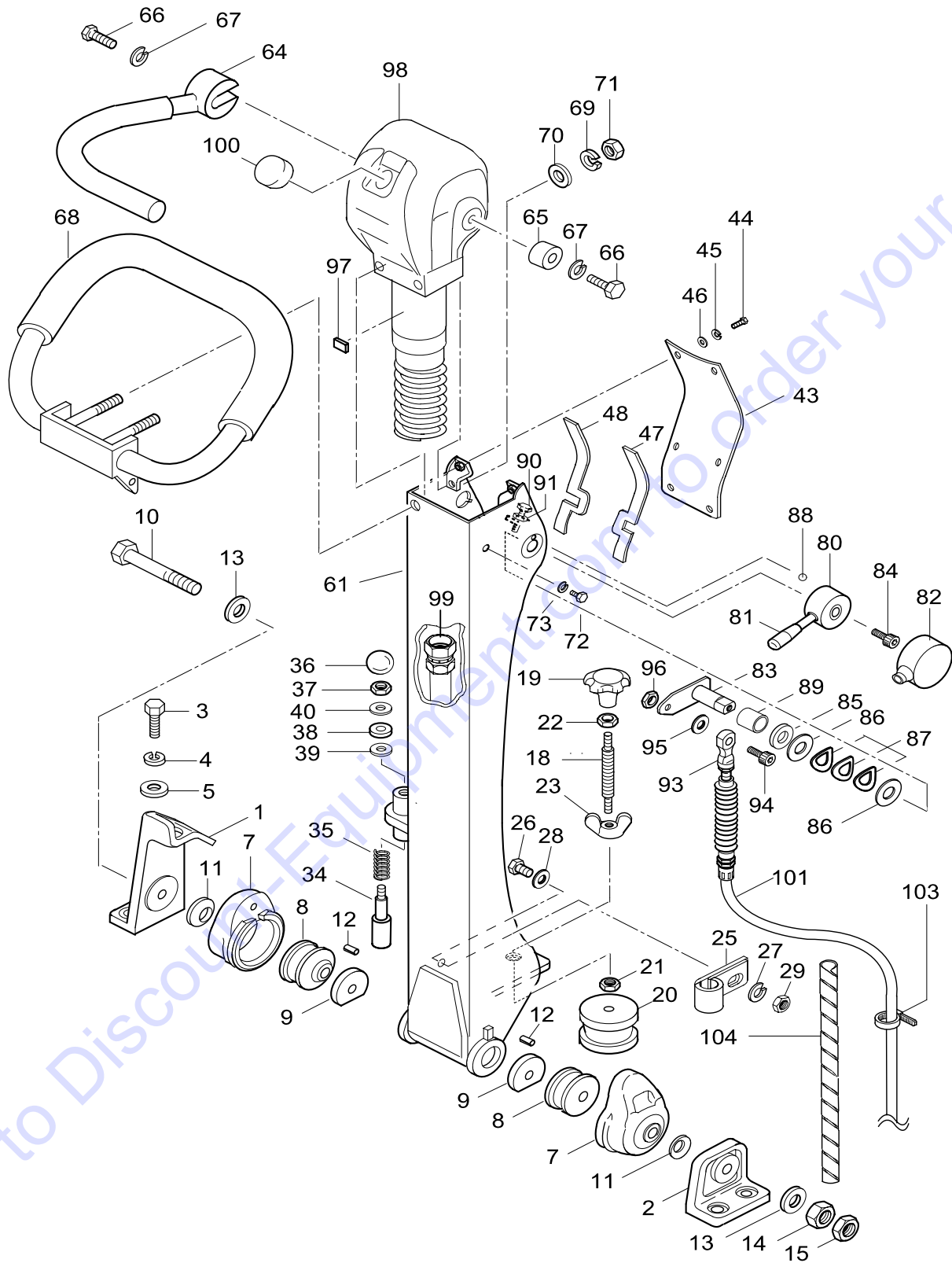
VIBRATOR ASSY.



VIBRATOR ASSY.

<u>NO.</u>	<u>PART NO.</u>	<u>PART NAME</u>	<u>QTY.</u>	<u>REMARKS</u>
A	464910020	VIBRATING ASSY.....	1.....	INCLUDES ITEMS W/ #
1#	464117880	VIBRATING CASE	1	
2	001221470	BOLT 14X150 T	6	
3	001221450	BOLT 14X50 T	4	
4	030214350	WASHER, LOCK M14	10	
5#	047920120	ROLLER BEARING NJ310EMC4	4	
6#	457212410	ROTARY SHAFT, DRIVE	1	
8#	951405370	KEY 15X10X39 RR	1	
9#	456327150	GEAR, DRIVE	1	
10#	080200550	STOP RING S-55	2	
11#	060105030	OIL SEAL SB-50729	1	
12#	951404970	KEY 12X8X30 R	1	
13#	464343700	ECCENTRIC ROTATOR	4	
14#	009120301	SOCKET HEAD BOLT 16X40 T	2	
15#	456337670	ROTARY SHAFT, DRIVEN	1	
16#	009120302	SOCKET HEAD BOLT 16X30 T	2	
17#	456337380	PISTON ROD	1	
18#	456010010	KNOCK PIN 10X70	1	
19#	464343720	GEAR (DRIVEN)	1	
20#	040306911	BEARING 6911	2	
21#	953010030	SEAL CAP/SC72-8N	1	
25#	042506000	BEARING 6000ZZSG	2	
26#	0080000010	STOP RING S-10	1.....	REPLACES P/N 080200100
27#	455435051	PISTON, 22.4D	1	
28#	455010070	PACKING USH-22.4X30X5	1	
29#	080100260	STOP RING R-26	1	
30#	456327130	BEARING COVER	1	
31#	456210636	CYLINDER (L)/(AC)	1	
33#	050101050	O-RING G-105	2	
34#	0105091025	BOLT 10X25 T	8.....	REPLACES P/N 001221025
35#	030210250	WASHER, LOCK M10	8	
36#	011008015	BOLT 8X12 T	1.....	REPLACES P/N 001220812
37#	953404600	COPPER PACKING 8X16X2	1	
38#	455010020	ELBOW 45 DEG. 15-0404	1	
39#	031110160	WASHER, FLAT M10	8	
43#	952405470	SHIM 90X110X0.5	2	
46#	464343710	PULLEY	1	
47#	464457370	WASHER	1	
48#	012012030	BOLT 12X30 T	1.....	REPLACES P/N 001221230
49#	030212300	WASHER, LOCK M12	1	
51	464216600	BELT COVER (LOWER)	1	
52	001520852	SOCKET HEAD BOLT 8X60 T	5	

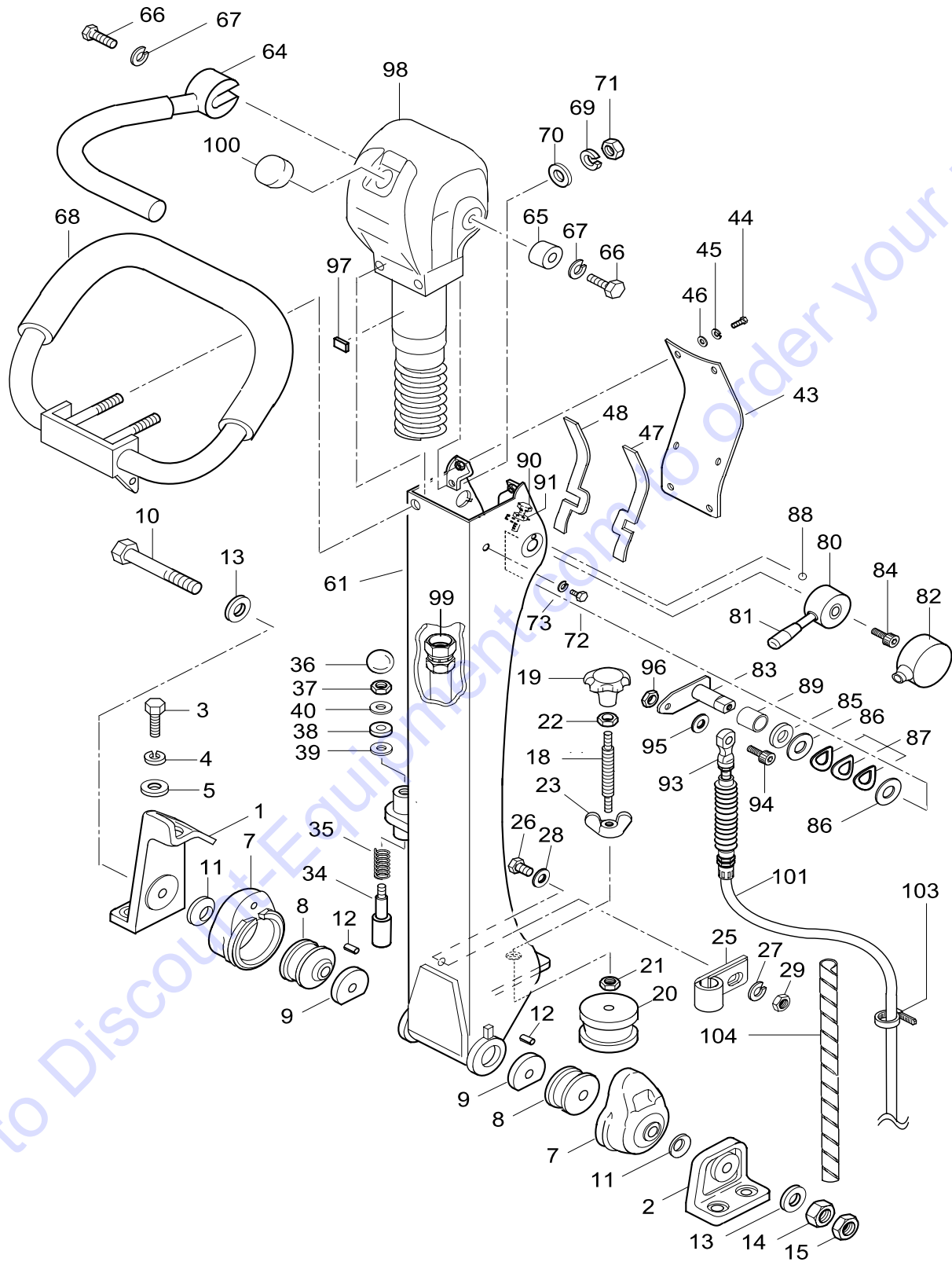
CONTROL HANDLE ASSY.



CONTROL HANDLE ASSY.

<u>NO.</u>	<u>PART NO.</u>	<u>PART NAME</u>	<u>QTY.</u>	<u>REMARKS</u>
1	464343680	HANDLE BRACKET	1	
2	456336420	HANDLE BRACKET (R)	1	
3	012212035	BOLT 12X35 T	4	REPLACES P/N 001221235
4	030212300	WASHER, LOCK M12	4	
5	031112230	WASHER, FLAT M12	4	
7	456336400	RUBBER COUPLING	2	
8	456449940	SHOCK ABSORBER	2	
9	456449930	RUBBER PLATE	2	
10	001221681	BOLT 16X250 T	1	
11	032124400	CONICAL SPRING WASHER M24	2	
12	025306016	SPRING PIN 6X16	2	REPLACES P/N 025406016
13	0401450160	WASHER, FLAT M16	2	REPLACES P/N 031116260
14	020316130	NUT M16	1	
15	020416100	NUT M16, H=10	1	
18	455434950	SPINDLE	1	
19	455010030	KNOB	1	
20	939010060	SHOCK ABSORBER	1	
21	020310080	NUT M10, H=6	1	REPLACES P/N 020410060
22	020412070	NUT M12, H=7	1	
23	022411635	WING NUT M16	1	
25	954404230	CLAMP SA120-18	1	
26	011206020	BOLT 6X20 T	1	REPLACES P/N 001220620
27	030206150	WASHER, LOCK M6	1	
28	031106100	WASHER, FLAT M6	1	
29	020106050	NUT M6	1	REPLACES P/N 020306050
34	501402870	HANDLE STOPPER	1	
35	501402880	SPRING/HANDLE (1.4X18X44)	1	
36	959403460	BALL GRIP 32D-M10	1	
37	020310080	NUT M10, H=6	1	REPLACES P/N 020410060
38	456449980	RUBBER PACKING 9D-20D-5T	1	
39	953405260	PACKING 1/4 (CU)	1	
40	031110160	WASHER, FLAT M10	1	
43	464343690	HANDLE COVER	1	
44	0105050616	BOLT 6X15 T	6	REPLACES P/N 001220615
45	030206150	WASHER, LOCK M6	6	
46	031106100	WASHER, FLAT M6	6	
47	464457710	PACKING A, HANDLE COVER	1	
48	464457720	PACKING B, HANDLE COVER	1	

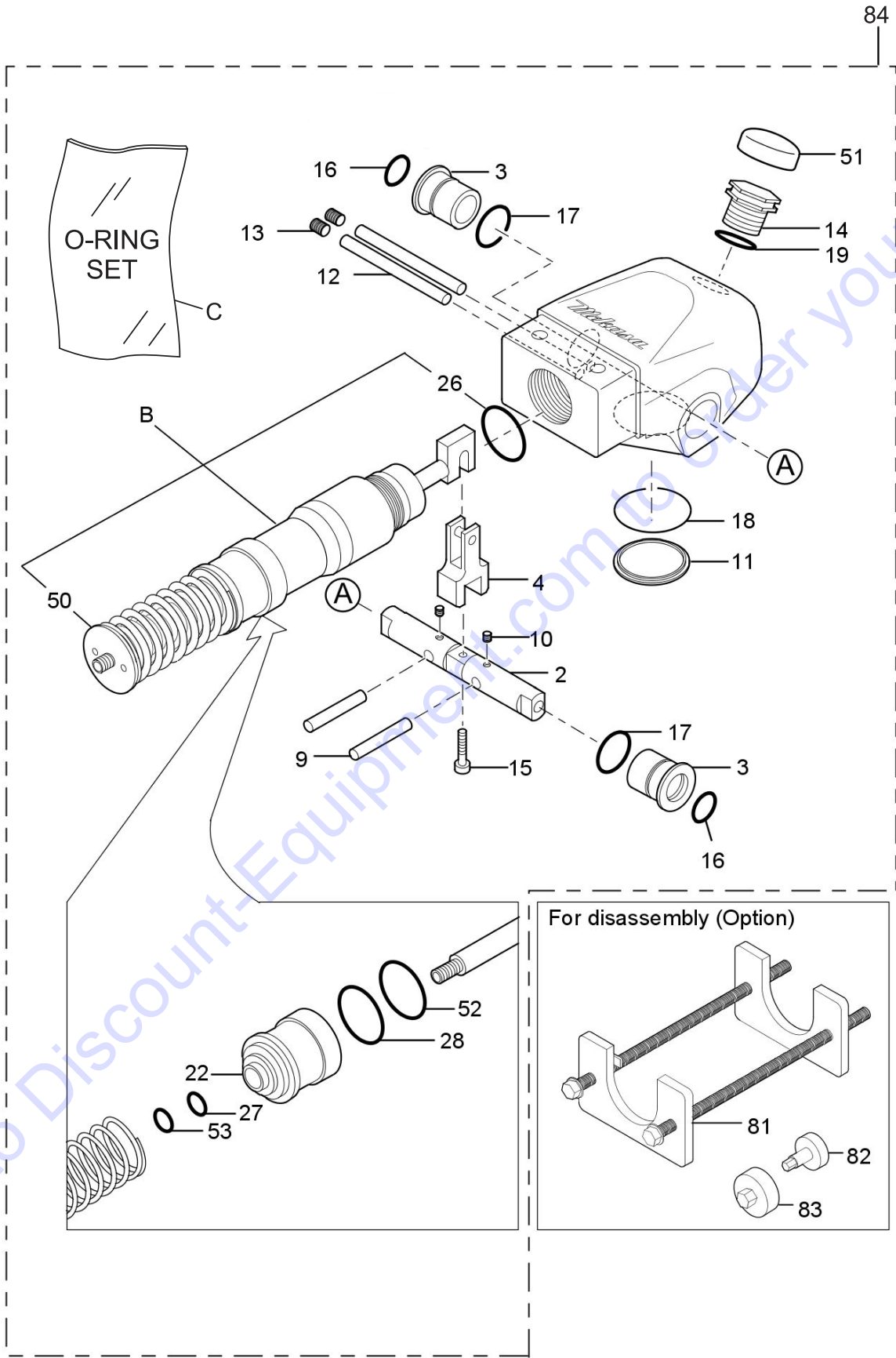
CONTROL HANDLE ASSY. (CONTINUED)



CONTROL HANDLE ASSY. (CONTINUED)

<u>NO.</u>	<u>PART NO.</u>	<u>PART NAME</u>	<u>QTY.</u>	<u>REMARKS</u>
61	464117890	COLUMN, HANDLE	1	
64	464216630	TRAVEL LEVER	1	
65	464457400	HANDLE BOSS	1	
66	012010030	BOLT 10X30 T	2	REPLACES P/N 001221030
67	030210250	WASHER, LOCK M10	2	
68	464216620	HANDLE W/GRIP RUBBER	1	
69	030210250	WASHER, LOCK M10	2	
70	031110160	WASHER, FLAT M10	2	
71	020310080	NUT M10	2	
72	011208025	BOLT 8X25 T	2	REPLACES P/N 001220825
73	030208200	WASHER, LOCK M8	2	
80	464457340	THROTTLE LEVER	1	
81	959403840	BAR GRIP I.D. 12 MM	1	
82	464457420	COVER, THROTTLE	1	
83	464457350	ARM, THROTTLE	1	
84	014208020	SOCKET HEAD BOLT 8X20 T	1	REPLACES P/N 001520820
85	0401450160	WASHER, FLAT M16	1	REPLACES P/N 031116260
86	458450660	WASHER 16.4-35-0.6	2	
87	033910080	CONICAL SW 16.3 X 31.5 X 1.2	3	
88	464457440	STEEL BALL D6 (SUJ)	1	
89	464010010	DRY BUSHING/ LBF-1620	1	
90	011606025	BOLT 6X25 T	2	REPLACES P/N 001220625
91	020106050	NUT M6	2	REPLACES P/N 020306050
93	464010020	ROD END M5	1	
94	001520520	SOCKET HEAD BOLT 5X20 T	1	
95	58151	WASHER, FLAT M5	1	REPLACES P/N 031105080
96	020305040	NUT M5	1	
99	954002270	OIL HOSE W/SPRING 1/4 X 920	1	
101	956100054	THROTTLE WIRE	1	
103	454010020	CLAMP TC-100	1	
104	959021815	SPIRAL TUBE 6D-330L	1	
104	959021810	SPIRAL TUBE KEP6/ L=500	1	REPLACES P/N 959021810

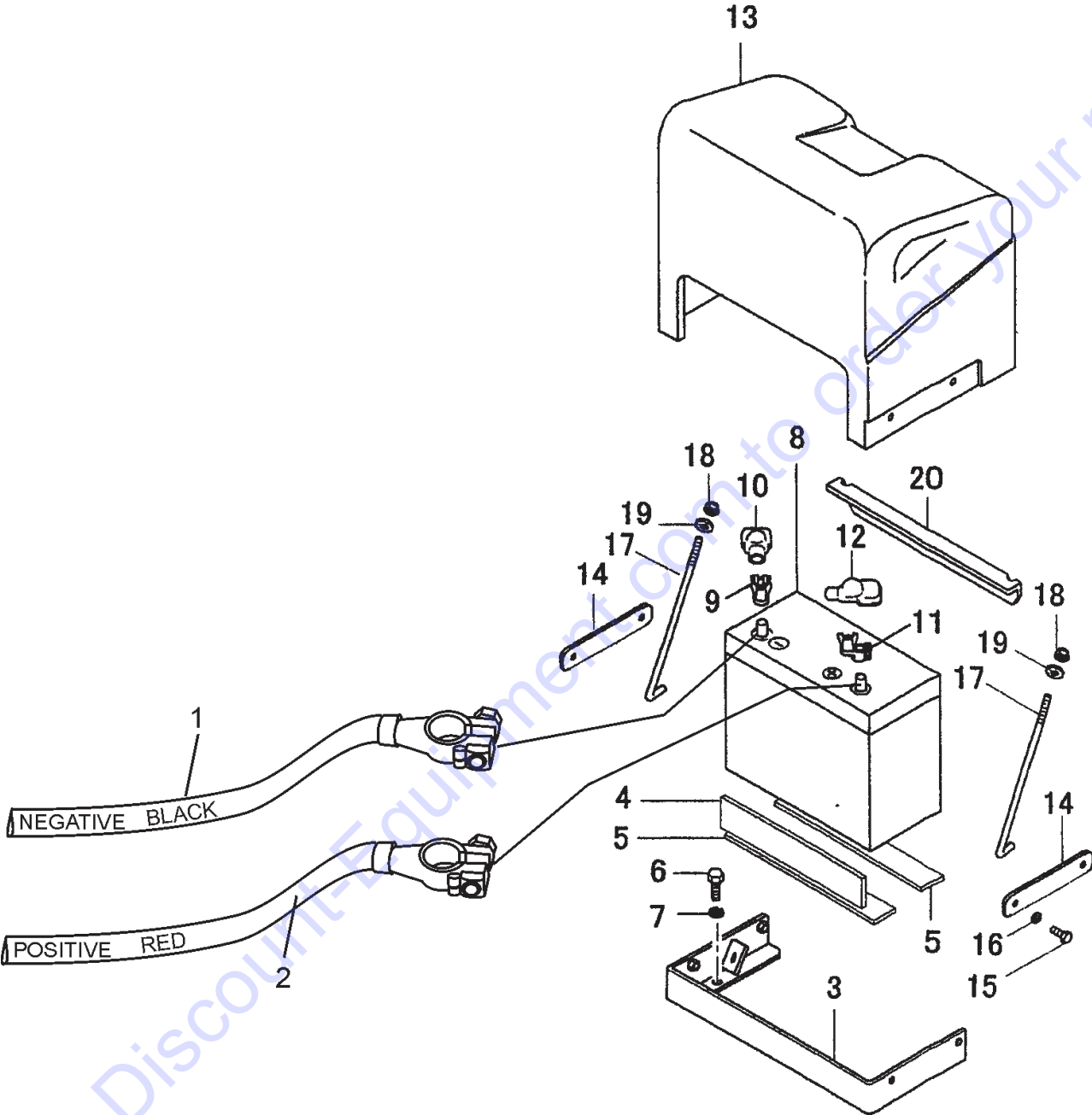
HAND PUMP ASSY.



HAND PUMP ASSY.

<u>NO.</u>	<u>PART NO.</u>	<u>PART NAME</u>	<u>QTY.</u>	<u>REMARKS</u>
B%	464910040	ACCUMULATOR	1	
C%	464910080	O-RING DUST, SEAL, SET	1	INCLUDES ITEMS W/#
2%	464010040	CONTROL SHAFT	1	
3%	464010050	BUSH	2	
4%	464010060	CAM	1	
9%	464010070	STOPPER	2	
10%	099205005	SOCKET HEAD SCREW 5X5 T	2	
11%	464010080	PLUG	1	
12%	464010090	PIN,STOPPER	2	
13%	464010100	PLUG	2	
14%	458010080	BREATHER	1	
15%	014206020	SOCKET HEAD BOLT 6X20 T	1	REPLACES P/N 001520620
16#%	050200200	O-RING P-20	2	
17#%	050210220	O-RING P-22	2	REPLACES P/N 050200220
18#%	050300380	O-RING S-38	1	
19#	050200180	O-RING P-18	1	
22%	464010111	ACCUMULATOR CASE	1	S/N N2419 AND ABOVE
26#%	050300400	O-RING S-40	1	
27#%	050200150	O-RING P-15	1	
28#%	050100400	O-RING G-40	1	
50%	464010120	SPRING PLUG	1	
51%	458451630	BREATHER CAP	1	
52#%	069904010	DUST SEAL SER-40	1	S/N N2419 AND ABOVE
53#%	069901010	DUST SEAL SER-15	1	S/N N2419 AND ABOVE
81%	984010060	SPRING COMPRESSION TOOL	1	
82%	984010040	DISASSEMBLING TOOL A	1	
83%	984010050	DISASSEMBLING TOOL B	1	
84	464216721	HAND PUMP ASSY.	1	INCLUDES ITEMS W/%

BATTERY ASSY.



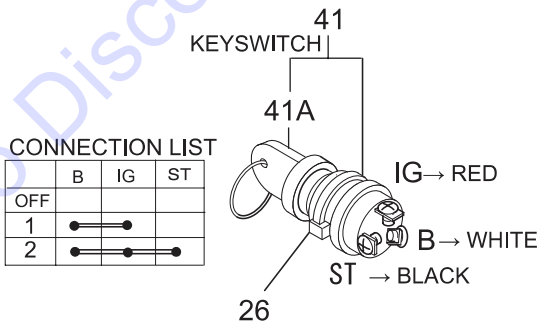
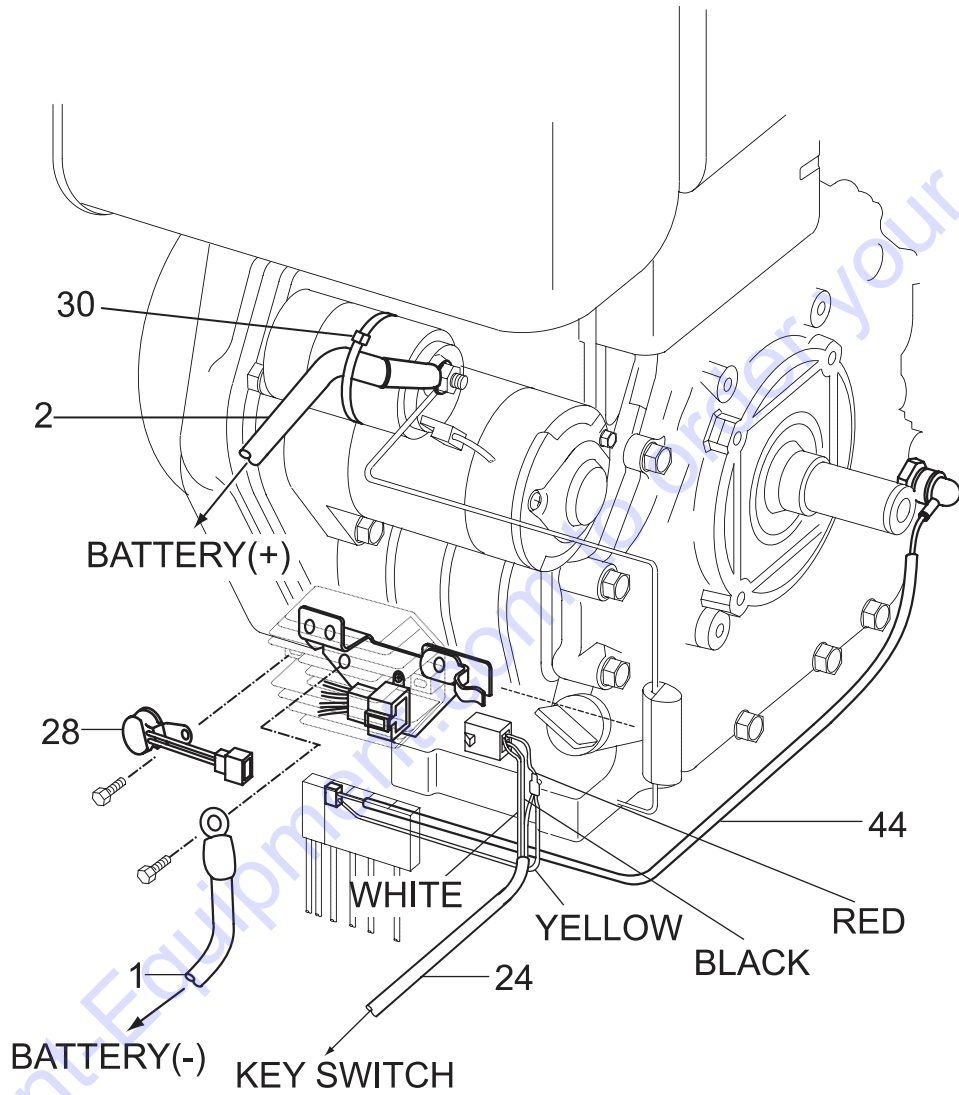
BATTERY ASSY.

<u>NO.</u>	<u>PART NO.</u>	<u>PART NAME</u>	<u>QTY.</u>	<u>REMARKS</u>
1	464457460	BATTERY CORD (-) 400L	1	
2	464457470	BATTERY CORD (+) 550L	1	
3	464216660	CRADLE, BATTERY	1	
4	456447590	RUBBER PLATE (E) 28X240X5	1	
5	456447600	RUBBER PLATE 50X240X10	2	
6	012210020	SOCKET HEAD BOLT 10X20 T	2	REPLACES P/N 001221020
7	030210250	WASHER, LOCK M10	2	
8	955010090	BATTERY 55B24L	1	
9	955300490	BATTERY TERMINAL (-)	1	
10	955300470	TERMINAL COVER (-)	1	
11	955300480	BATTERY TERMINAL (+)	1	
12	955300460	TERMINAL COVER (+)	1	
13	464021020	COVER, BATTERY	1	
14	464457410	FIXED PLATE, BATTERY COVER	2	
15	011208025	BOLT 8X25 T	4	REPLACES P/N 001220825
16	030208200	WASHER, LOCK M8	4	
17	464457390	BATTERY BOLT	2	
18	022710809	NYLON NUT M8	2	
19	0401450080	WASHER, FLAT M8	2	REPLACES P/N 031108160
20	464343740	HOLDER, BATTERY	1	

COMPACTION ANALYZING SYSTEM ASSY. (MVH306DSCPAS)

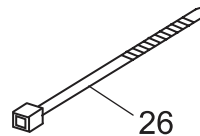
<u>NO.</u>	<u>PART NO.</u>	<u>PART NAME</u>	<u>QTY.</u>	<u>REMARKS</u>
1	465350490	COMPACTION SENSOR PANEL	1	
2	464350510	PACKING,SENSOR	1	
3	009110062	SOCKET HEAD SCREW 6X20	4	
4	952404470	WASHER, FLAT M6.....	4.....	REPLACES P/N 031106100
5	030206150	WASHER, LOCK M6	4	
6	022710607	NYLON NUT M6	4	
7	464350500	ACCELERATION SENSOR ASSY.....	1.....	INCLUDES ITEMS W/ #
8	464464350	SENSOR HOLDER COVER	1	
9	H5HB051000	SOCKET HEAD BOLT 5X10 T.....	2.....	REPLACES P/N 001520510
10	030205130	WASHER, LOCK M5	2	
11#	959021812	SPIRAL TUBE 6D-800L	1	
12	464350390	WIRE HARNESS, SENSOR	1	
13	515450380	WIRE HARNESS	1	
14	464464520	FUSE HOLDER, SENSOR.....	1.....	INCLUDES ITEMS W/ %
15%	464010140	FUSE 2 AMP.....	1.....	MVH306DSCPAS
16	506010070	CLAMP TC-150	7	
17	464022020	COVER,BATTERY.....	1.....	MVH306DSCPAS ONLY
18	001521030	SOCKET HEAD BOLT 10X30 T	2	
19	959408330	WIRE CLIP,SENSOR	1	
20	030210250	WASHER, LOCK M10	3	
21	0105091025	BOLT 10X25 T.....	1.....	REPLACES P/N 001221025
22	031110160	WASHER, FLAT M10	1	
23	464457410	FIXED PLATE, BATTERY COVER	2	
24	030208200	WASHER, LOCK M8	4	
25	011208025	BOLT 8X25 T.....	4.....	REPLACES P/N 001220825

ELECTRIC DEVICE ASSY.



CONNECTION LIST

	B	IG	ST
OFF			
1	●	●	
2	●	●	●

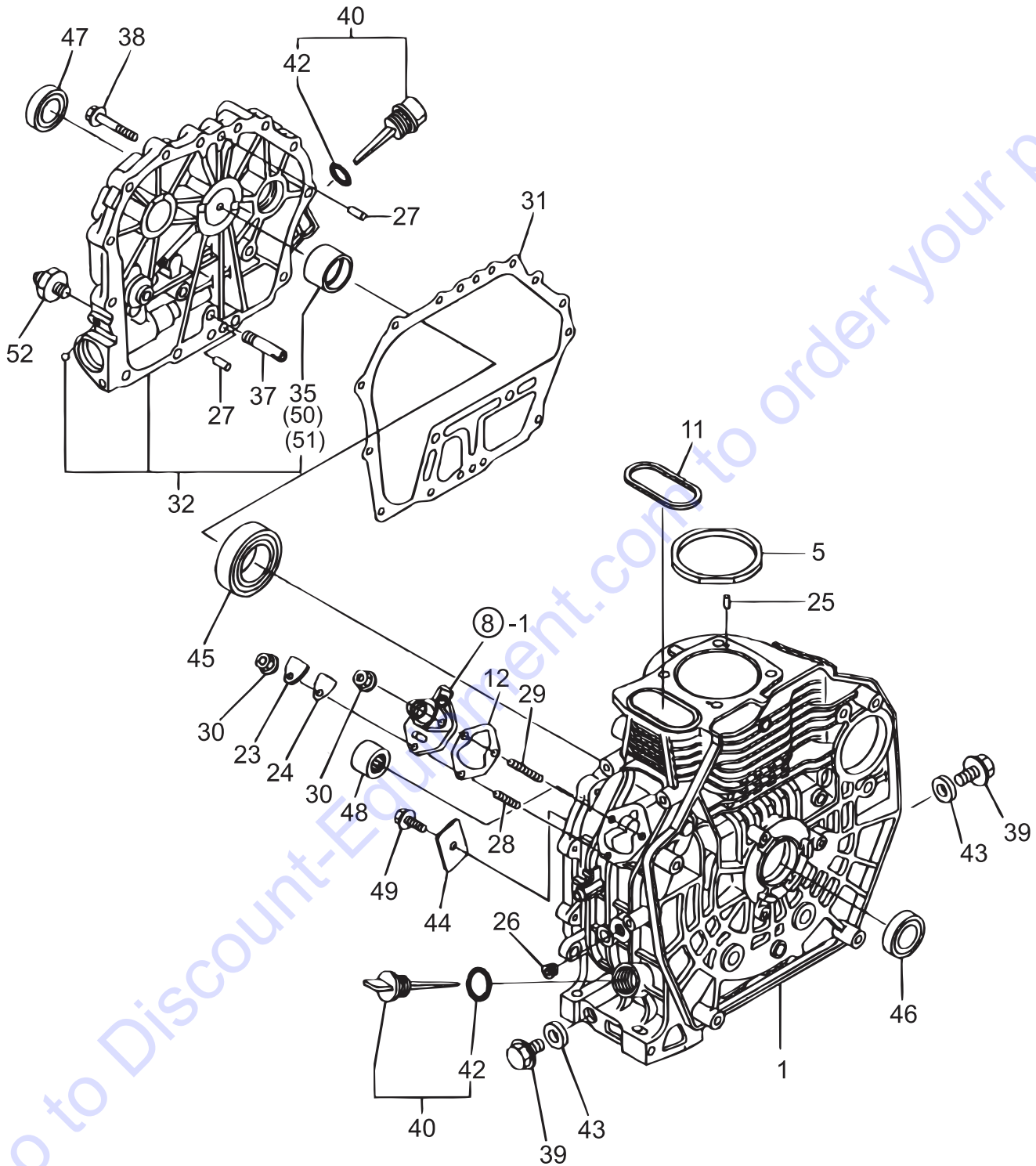


ELECTRIC DEVICE ASSY.

<u>NO.</u>	<u>PART NO.</u>	<u>PART NAME</u>	<u>QTY.</u>	<u>REMARKS</u>
1	464457460	BATTERY CORD (-) 400L	1	
2	464457470	BATTERY CORD (+) 550L	1	
24	464459260	WIRE CP	1	
26	454010020	CLAMP TC-100	3	
28	955300400	BUZZER (EBL)	1	
30	506010070	CLAMP TC-150	1	
41	955300680	IGNITION SWITCH ASSY.....	1.....	INCLUDES ITEMS W/ #
41A#	955000010	IGNITION KEY	1	
44	10519878570	HARNESS (C), WIRE	1	

Go to Discount-Equipment.com to order your parts

YANMAR L70V6 — CYLINDER BLOCK ASSY.

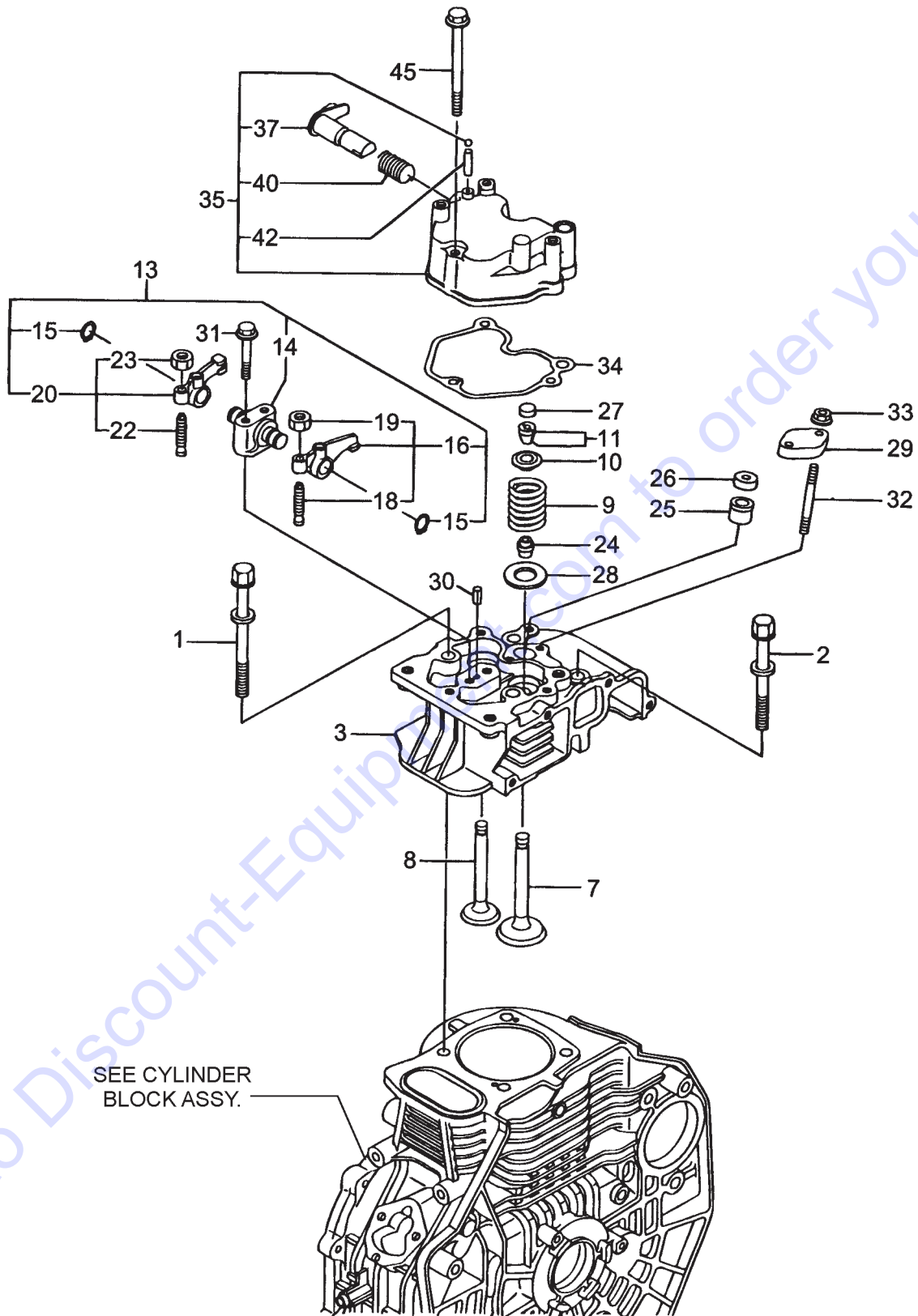


⑧-1 SEE FUEL INJECTION PUMP ASSY.

YANMAR L70V6 — CYLINDER BLOCK ASSY.

<u>NO.</u>	<u>PART NO.</u>	<u>PART NAME</u>	<u>QTY.</u>	<u>REMARKS</u>
1	11421001010	CYLINDER BLOCK ASSY.	1	
5	11439501330	CYLINDER HEAD GASKET ASSY.	1	
11	11435001380	O-RING	1	
12	11429901800	SHIM SET	1	
23	11429901830	COVER (FO PUMP)	1	
24	11425001841	GASKET	1	
25	22312040080	PIN 4X8 STRAIGHT	2	
26	23875020000	PLUG PT 1/4 STEEL	1	
27	11429901600	PIN, 8X12	2	
28	26226060182	STUD M6X18 PLATED	1	
29	26226060222	STUD M6X22 PLATED	2	
30	26366060002	NUT M6	3	
31	11435001412	CRANKCASE GASKET	1	
32	11421001460	CRANKCASE COVER D	1	INCLUDES ITEMS W/ \$
35\$	11435002100	MAIN BEARING US=STD.	1	
37	11429935150	L.O. INLET PIPE	1	
38	26106080352	BOLT M 8X35 PLATED	15	
39	10542501690	PLUG M16	2	
40	11469901760	OIL GAUGE CAP, W/LUB	2	INCLUDES ITEMS W/ #
42#	24311000180	O-RING	2	
43	22190160002	SEAL WASHER 16S	2	
44	11429902030	RETAINER	1	
45	11435002113	BALL BEARING	1	
46	16011002220	OIL SEAL	1	
47	16011002220	OIL SEAL	1	
48	24162152116	NEEDLE BEARING	1	
49	26106080122	BOLT M8X12 PLATED	1	
50	11435002200	MAIN BEARING US=0.25.....	1	UNDERSIZED PART
51	11435002210	MAIN BEARING US=0.50.....	1	UNDERSIZED PART
52	12125239450	OIL PRESSURE SENDER	1	

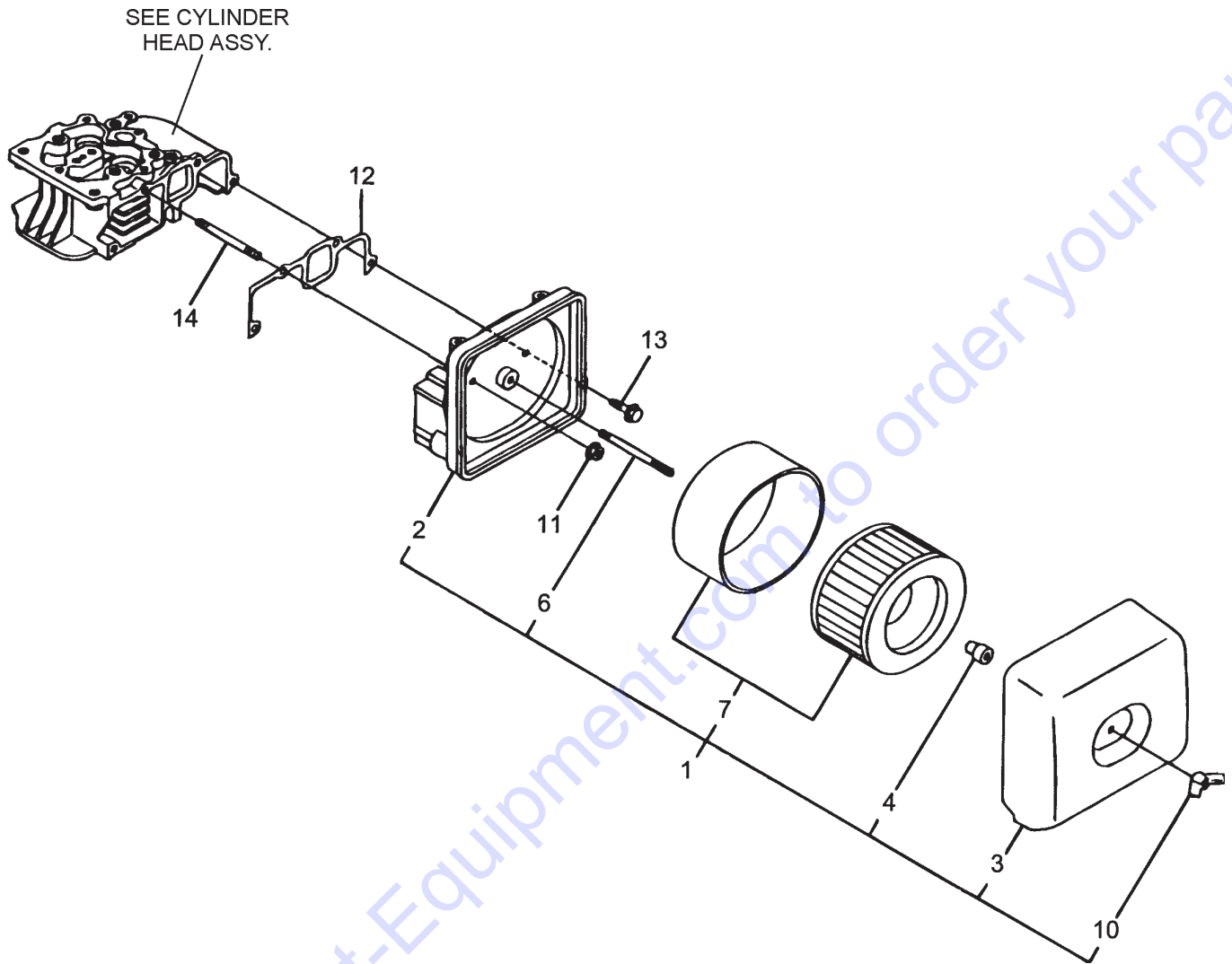
YANMAR L70V6 — CYLINDER HEAD ASSY.



YANMAR L70V6 — CYLINDER HEAD ASSY.

<u>NO.</u>	<u>PART NO.</u>	<u>PART NAME</u>	<u>QTY.</u>	<u>REMARKS</u>
1	11421001200	CYLINDER HEAD A BOLT	2	
2	11421001210	CYLINDER HEAD B BOLT	2	
3	11421011020	CYLINDER HEAD ASSY.	1	
7	11421011100	INTAKE VALVE	1	
8	11421011110	EXHAUST VALVE	1	
9	11421011120	VALVE SPRING	2	
10	11421011180	SPRING RETAINER	2	
11	11421011930	COTTER ASSY.	2	
13	11421011250	SUPPORT ASSY. ROCKER	1	INCLUDES ITEMS W/ #
14#	11421011260	ROCKER ARM SUPPORT	1	
15#	11421011280	C TYPE RETAINING PIN	2	
16#	11421011650	INTAKE ARM ASSY.	1	INCLUDES ITEMS W/ +
18#+	11429911240	ADJUSTING SCREW	1	
19#+	26856060002	LOCK NUT 6	1	
20#	11421011660	EXHAUST ARM ASSY.	1	INCLUDES ITEMS W/ \$
22#\$	11429911240	ADJUSTING SCREW	1	
23#\$	26856060002	LOCK NUT 6	1	
24	11435011340	VALVE STEM SEAL	2	
25	11477111461	NOZZLE GASKET	1	
26	11429511470	NOZZLE SPACER	1	
27	10501011490	VALVE CAP	2	
28	11429911600	VALVE SPRING WASHER	2	
29	11421011900	NOZZLE RETAINER	1	
30	22351040008	SPRING PIN 4X8	1	
31	26106060402	BOLT M6X40 PLATED	2	
32	26226060552	STUD M6X55	2	
33	26366060002	NUT M6	2	
34	11421011310	BONNET GASKET	1	
35	11421011950	BONNET HEAD ASSY.....	1	INCLUDES ITEMS W/ %
37%	11421003590	DECOMP SHAFT ASSY.	1	
40%	11429903640	DECOMP SPRING	1	
42%	22312030160	PARALLEL PIN 3X16	1	
45	26106060552	BOLT M6X55 PLATED	1	

YANMAR L70V6 — AIR CLEANER ASSY.

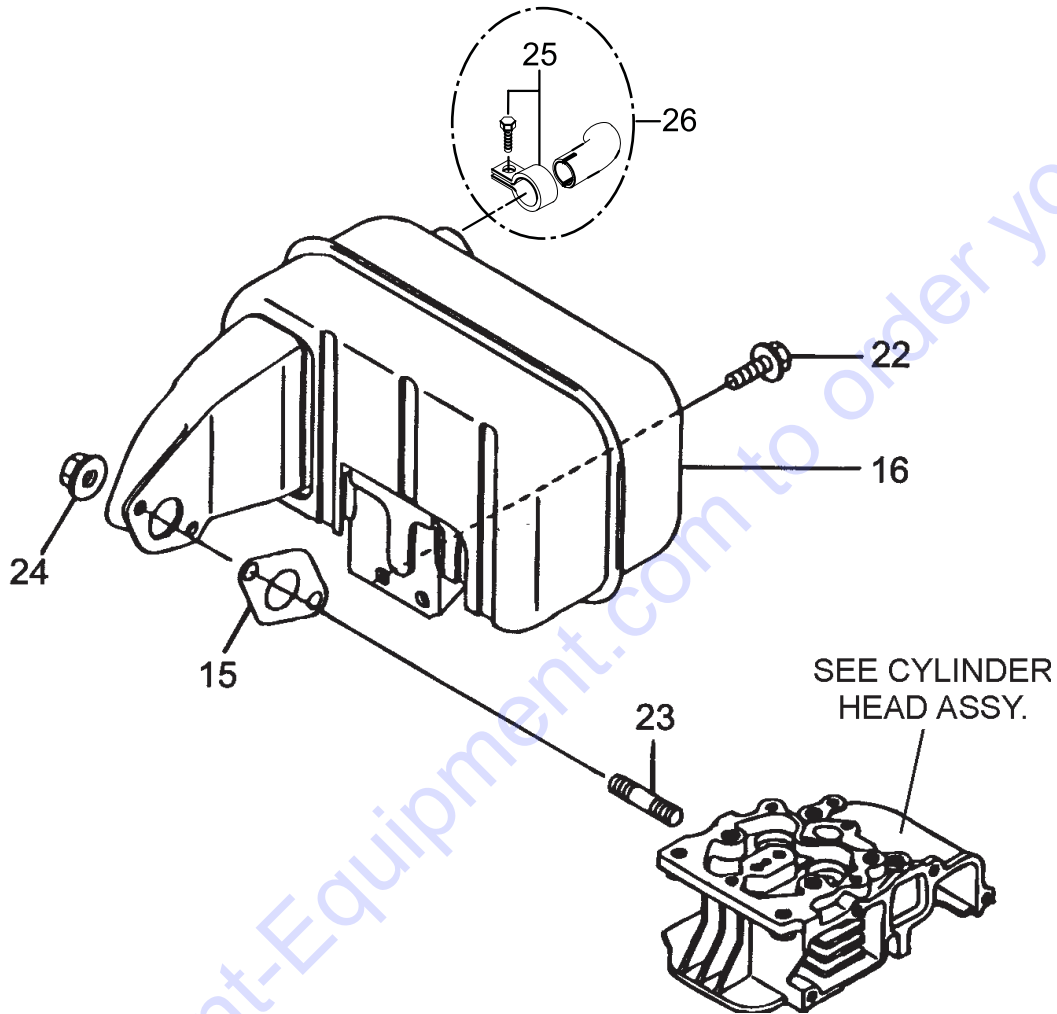


YANMAR L70V6 — AIR CLEANER ASSY.

<u>NO.</u>	<u>PART NO.</u>	<u>PART NAME</u>	<u>QTY.</u>	<u>REMARKS</u>
1	11421012511	AIR CLEANER ASSY.....	1.....	INCLUDES ITEMS W/#
2#	11421012020	AIR CLEANER BODY	1	
3#	11421012520	AIR CLEANER COVER	1	
4#	11421012560	WING NUT	1	
6#	11421012580	STUD BOLT	1	
7#	11421012590	ELEMENT ASSY.	1	
10#	11421012600	KNOCKING KNOB	1	
11	11429912300	U-NUT	3	
12	11421012210	AIR CLEANER GASKET	1	
13	26106060202	BOLT M6X20 PLATED	1	
14	26226060302	STUD M6X30	3	

Go to Discount-Equipment.com to order your parts

YANMAR L70V6 — MUFFLER ASSY.

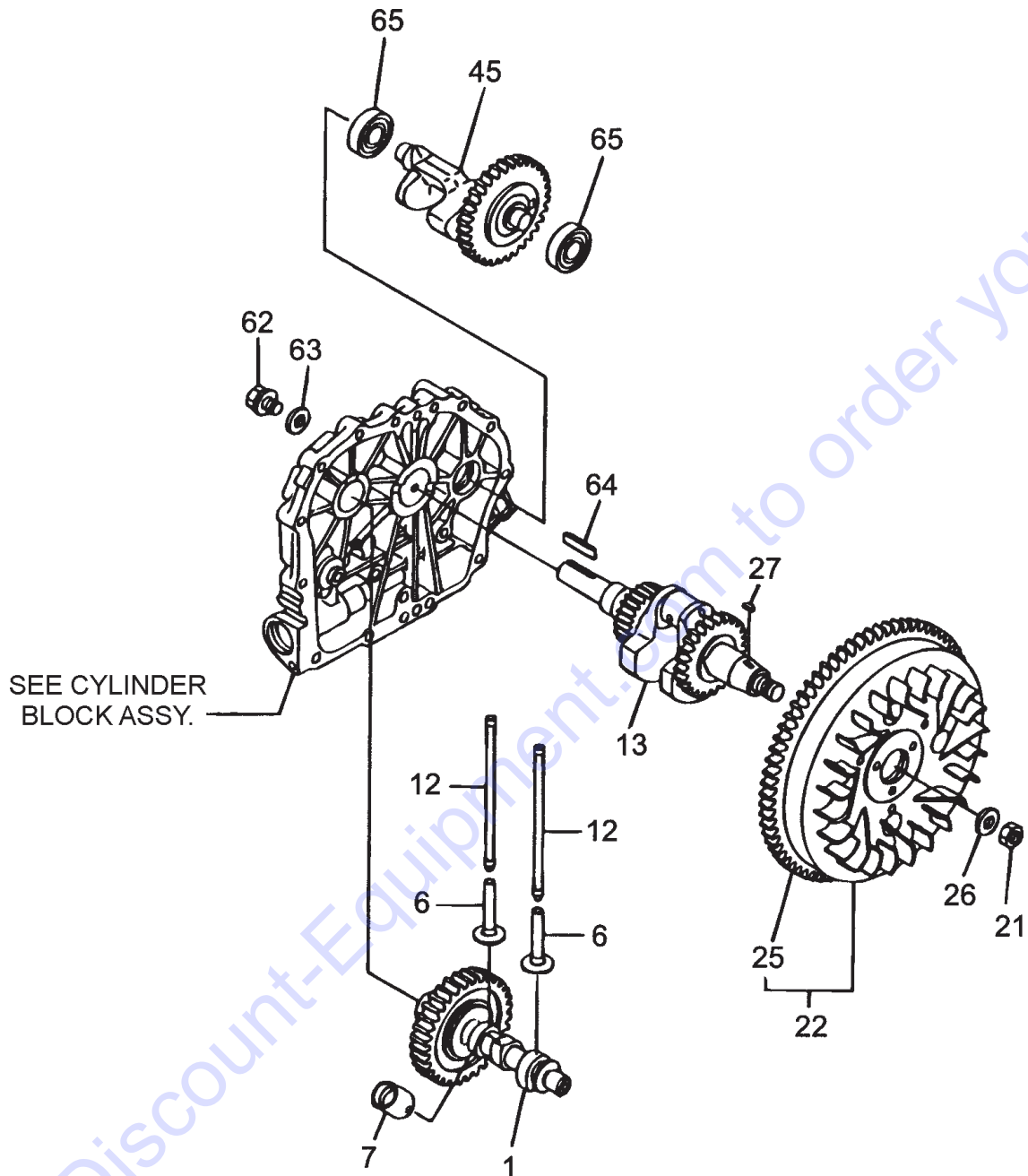


YANMAR L70V6 — MUFFLER ASSY.

<u>NO.</u>	<u>PART NO.</u>	<u>PART NAME</u>	<u>QTY.</u>	<u>REMARKS</u>
15	11429913200	MUFFLER GASKET	1	
16	11439913520	MUFFLER ASSY.	1	
22	26106060142	BOLT M6X14 PLATED	2	
23	26216080182	STUD M8X18 PLATED	2	
24	26366080002	NUT M8	2	
25	11424913600	CLAMP	1	
26	11425213910	EXHAUST DEFECTOR	1	

Go to Discount-Equipment.com to order your parts

YANMAR L70V6 — CRANKSHAFT AND CAMSHAFT ASSY.

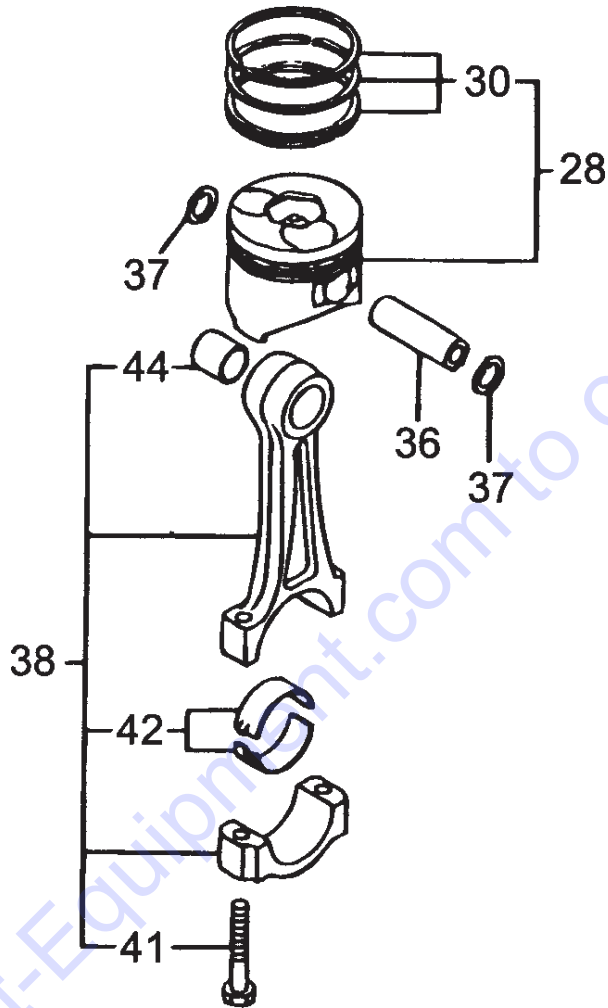


YANMAR L70V6 — CRANKSHAFT AND CAMSHAFT ASSY.

<u>NO.</u>	<u>PART NO.</u>	<u>PART NAME</u>	<u>QTY.</u>	<u>REMARKS</u>
1	71421014580	CAMSHAFT ASSY.	1	
6	11421014200	TAPPET	2	
7	11421014300	ROLLER TAPPET ASSY.	1	
12	11421014400	PUSH ROD ASSY.	2	
13	71421021740	CRANKSHAFT (D) ASSY.	1	
21	11429921220	NUT	1	
22	11439921590	FLYWHEEL (DE) ASSY.....	1.....	INCLUDES ITEM W/ #
25#	11436221600	RING GEAR	1	
26	11429921550	FLYWHEEL WASHER	1	
27	22512040120	KEY 4X12	1	
45	71421028510	BALANCER SHAFT ASSY.	1	
62	26106080202	BOLT M 8X20 PLATED	1	
63	16031014550	WASHER	1	
64	22512070360	KEY 7X36 RR	1	
65	24101062030	BEARING	2	

Go to Discount-Equipment.com to order your parts

YANMAR L70V6 — PISTON ASSY.

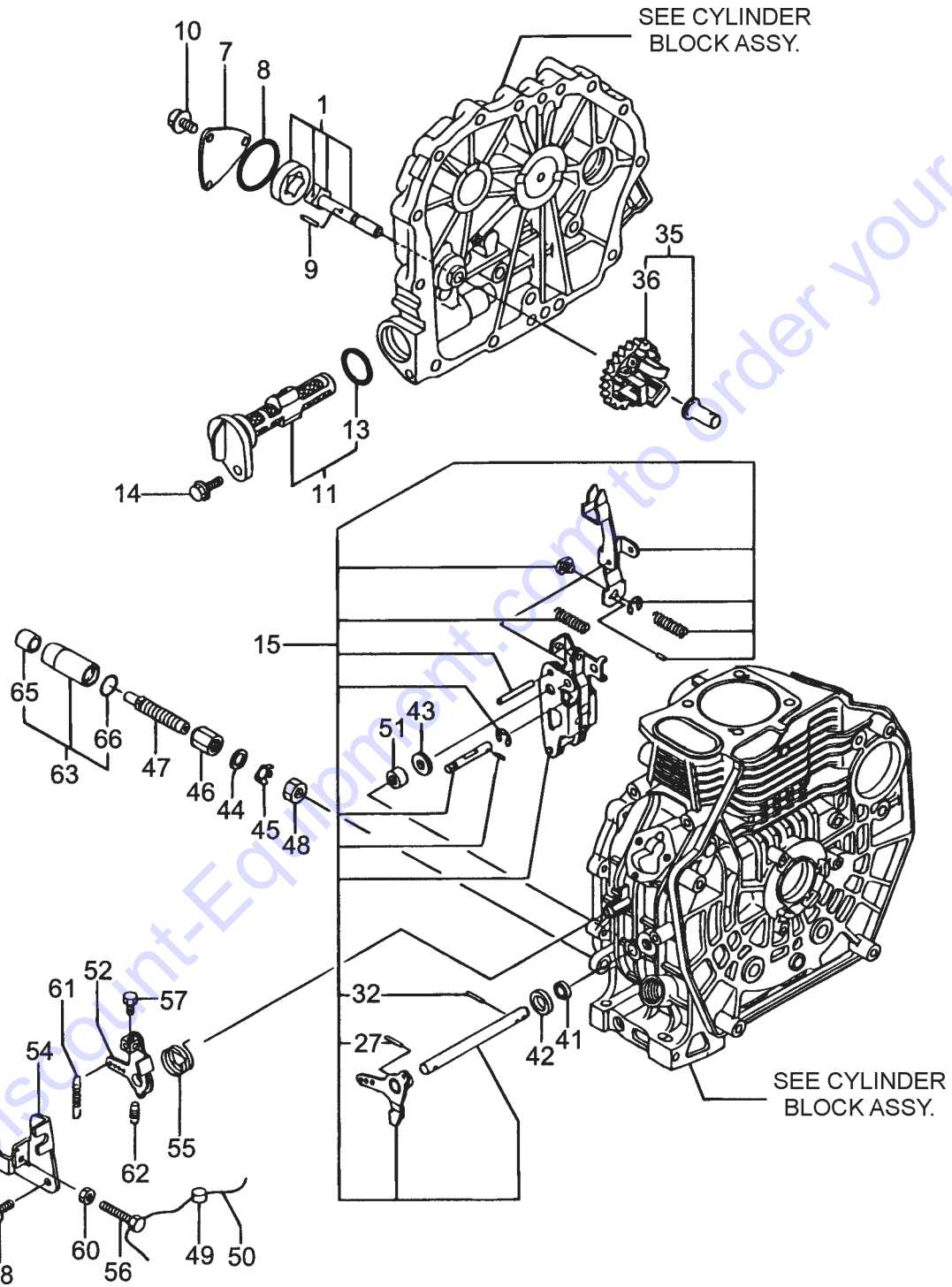


YANMAR L70V6 — PISTON ASSY.

<u>NO.</u>	<u>PART NO.</u>	<u>PART NAME</u>	<u>QTY.</u>	<u>REMARKS</u>
28	71421022720	PISTON W/ RINGS STD.....	1.....	INCLUDES ITEMS W/#
28	71421022620	PISTON W/RINGS OS = 0.25	1.....	INCLUDES ITEMS W/\$
28	71421022580	PISTON W/RINGS OS = 0.50	1.....	INCLUDES ITEMS W/%
30#	71487022502	PISTON RINGS SET = STD.	1	
30\$	11487222140	PISTON RING SET OS = 0.25	1	
30%	11487222150	PISTON RING SET OS = 0.50	1	
36	11439922300	PISTON PIN	1	
37	22252000210	CIRCLIP 21	2	
38	71421023701	CONNECTING ROD ASSY.....	1.....	INCLUDES ITEMS W/@
41@	11820023200	ROD BOLT	2	
42@	11421023600	CRANK PIN BEARING STD.	1	
42	11421023610	CRANK BEARING PIN U.S. = 0.25	1.....	UNDERSIZED PART
42	11421023620	CRANK BEARING PIN U.S. = 0.50	1.....	UNDERSIZED PART
44@	11438023910	PISTON PIN BUSH	1	

Go to Discount-Equipment.com to order your parts

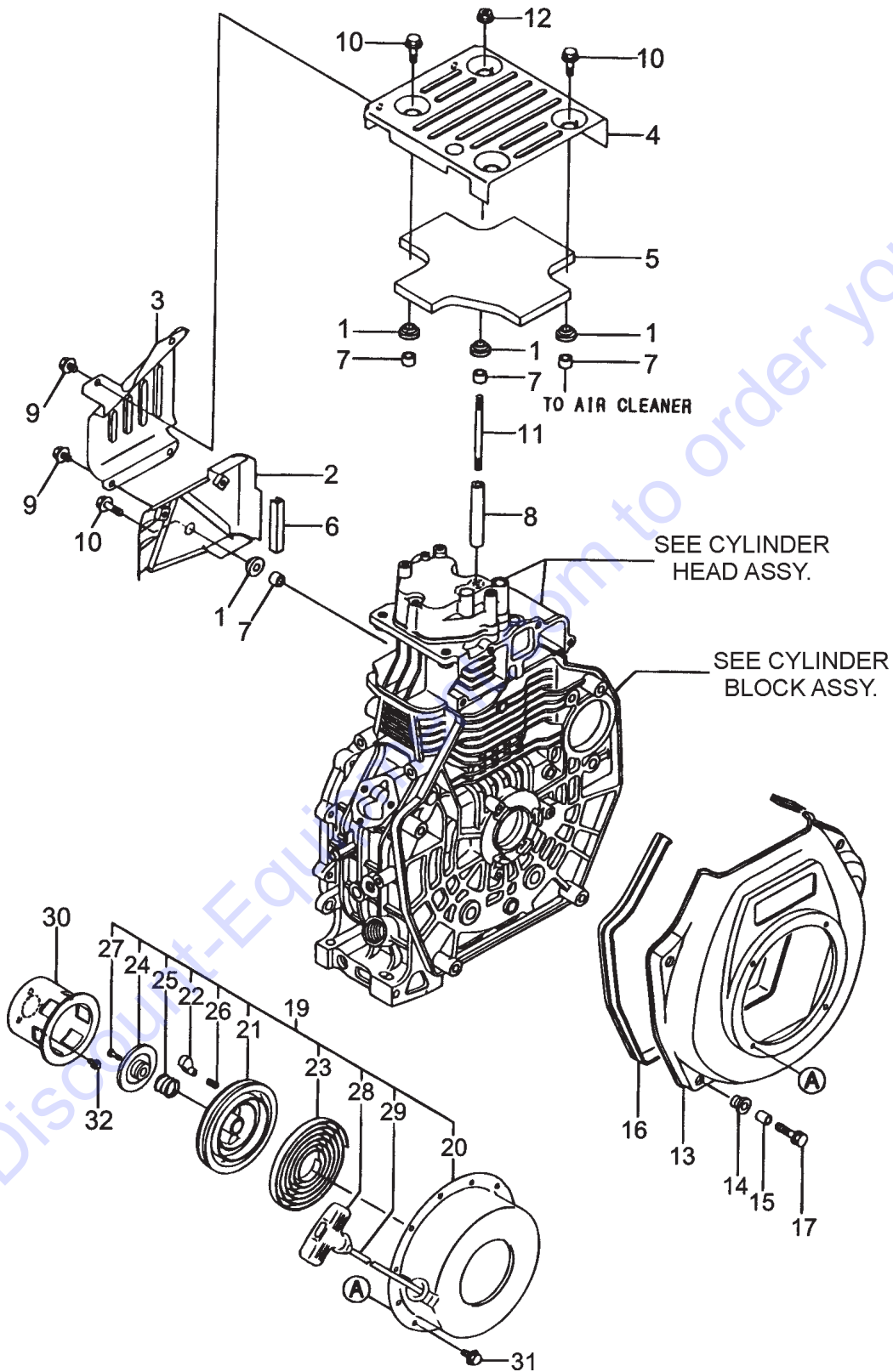
YANMAR L70V6 — LUB OIL PUMP AND GOVERNOR ASSY.



YANMAR L70V6 — LUB OIL PUMP AND GOVERNOR ASSY.

<u>NO.</u>	<u>PART NO.</u>	<u>PART NAME</u>	<u>QTY.</u>	<u>REMARKS</u>
1	11425032010	LUB. OIL PUMP ASSY.	1	
7	11429932070	LUB. OIL PUMP COVER	1	
8	11429932570	O-RING COVER	1	
9	22312030160	PARALLEL PIN 3X16	1	
10	26106060122	BOLT M 6X12 PLATED	3	
11	11425035110	LUBE OIL FILTER COMPLETE.....	1	INCLUDES ITEMS W/ \$
13\$	24341000224	O-RING 1A S- 22.4	1	
14	26106060162	BOLT M 6X16 PLATED	1	
15	11421061500	LEVER ASSY.	1	INCLUDES ITEMS W/ #
27#	22322030200	TAPER PIN 3X20	1	
32#	22322030200	TAPER PIN 3X20	1	
35	71421061700	GOVERNOR ASSY.	1	NCLUDES ITEMS W/ +
36+	11421061290	GOVERNOR WEIGHT ASSY.	1	
41	11429961600	OIL SEAL	1	
42	11477061610	THRUST WASHER	1	
43	11429961190	GOVERNOR WASHER	1	
44	11477161810	PLAIN WASHER 14	1	
45	11477161830	PLATE	1	
46	11429561940	NUT	1	
47	11477166600	FUEL LIMITER ASSY.	1	
48	11477166690	NUT M14	1	
49	11478061090	LEAD	1	
50	22451060000	WIRE 0.6	1	
51	11477061520	NEEDLE BEARING	2	
52	11425266051	REGULATOR HANDLE	1	
54	18336066110	REGULATOR BRACKET	1	
55	11429966250	RETURN SPRING	1	
56	11429966440	ADJUSTING BOLT	1	
57	10522566990	SCREW	1	
58	26106060142	BOLT M 6X14 PLATED	1	
59	26106060202	BOLT M 6X20 PLATED	1	
60	26756060002	LOCK NUT M6 PLATED	1	
61	11421066010	REGULATOR SPRING	1	
62	11429966200	RETURN SPRING	1	
63	11477161890	PROTECTOR COMPLETE.....	1	INCLUDES ITEMS W/ %
65%	11477161960	SPACER	1	
66%	24311000180	O-RING 1A P- 18.0	1	

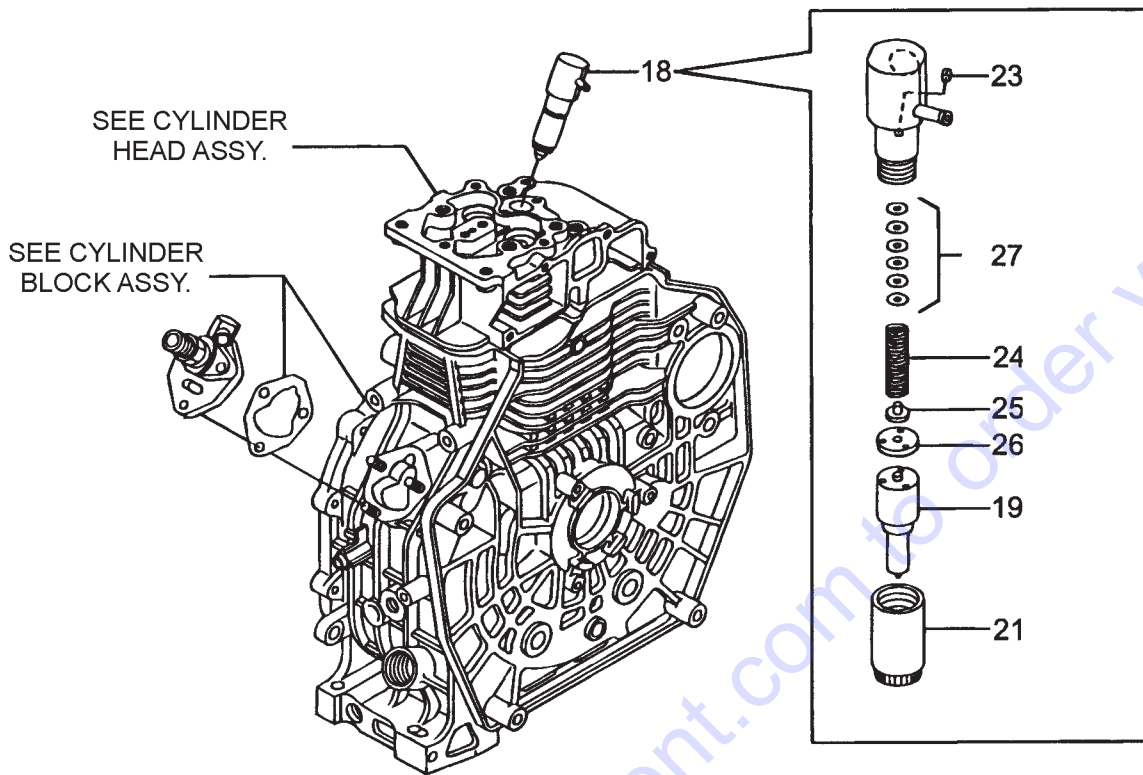
YANMAR L70V6 — COOLING AND STARTING DEVICE ASSY.



YANMAR L70V6 — COOLING AND STARTING DEVICE ASSY.

<u>NO.</u>	<u>PART NO.</u>	<u>PART NAME</u>	<u>QTY.</u>	<u>REMARKS</u>
1	11429945220	TANK GROMMET	5	
2	11421045260	SIDE COVER B (13)	1	
3	11421045270	SIDE COVER A (13)	1	
4	11421045300	TOP COVER, BLACK (13)	1	
5	11421045310	DAMPER	1	
6	11439945320	SEAL RUBBER	1	
7	11435045340	CYLINDER COLLAR COVER	5	
8	11421045350	TOP COVER SPACER	1	
9	26106060082	BOLT M 6X 8 PLATED	4	
10	26106060202	BOLT M 6X 20 PLATED	4	
11	26226060852	BOLT STUD 6X85	1	
12	26366060002	NUT M 6	1	
13	11421045100	FAN CASE (SILVER) (17)	1	
14	11429945300	CUSHION RUBBER	4	
15	11429945310	FAN CASE COLLAR	4	
16	11429945330	FAN CASE SEAL	1	
17	11429945350	FAN CASE BOLT	4	
19	11439976251	RECOIL STARTER (D) ASSY.	1	INCLUDES ITEMS W/ #
20#	11439976510	STARTER CASE	1	
21#	11439976521	RECOIL REEL	1	
22#	11439976530	RATCHET	1	
23#	11439976540	SPIRAL SPRING	1	
24#	11439976550	RATCHET COVER	1	
25#	11439976560	SPRING	1	
26#	11439976570	RETURN SPRING	1	
27#	11439976580	SCREW	1	
28#	11439976620	STARTER KNOB	1	
29#	11439976630	STARTER ROPE	1	
30	11439976590	STARTER PULLEY	1	
31	26106060082	BOLT M 6X 8 PLATED	4	
32	26106060122	BOLT M 6X 12 PLATED	3	

YANMAR L70V6 — FUEL INJECTION PUMP ASSY.



- T=1 00
- T=1 05
- T=1 10
- T=1 15
- T=1 20
- T=1 25
- T=1 30
- T=1 35
- T=1 40
- T=1 45
- T=1,50
- T=1 55
- T=1 60
- T=1 65
- T=1 70
- T=1 75
- T=1 80
- T=1 85
- T=1 90
- T=1 95
- T=2 00

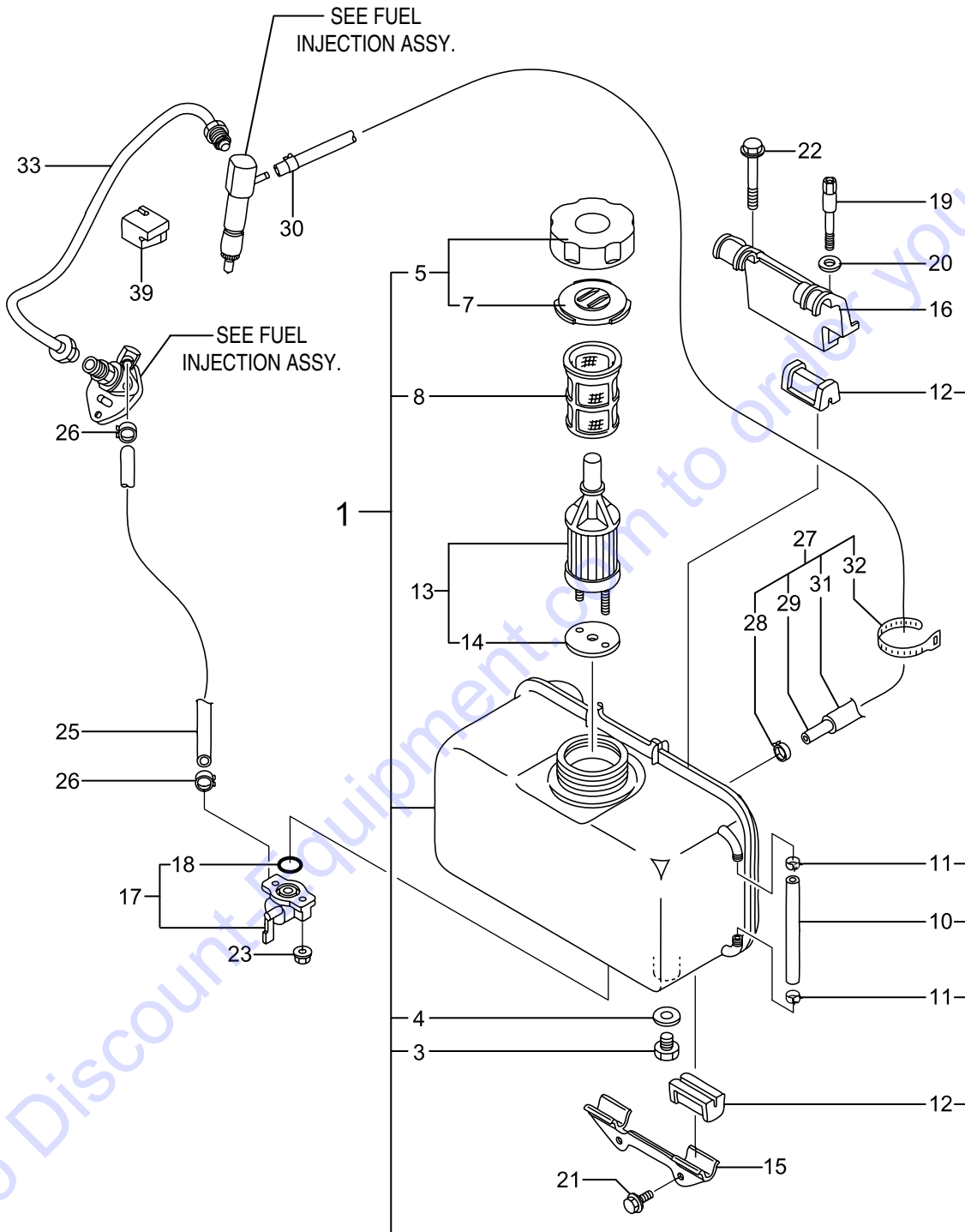
SHIMS, USE AS
REQUIRED FOR
ITEM 27.

YANMAR L70V6 — FUEL INJECTION PUMP ASSY.

<u>NO.</u>	<u>PART NO.</u>	<u>PART NAME</u>	<u>QTY.</u>	<u>REMARKS</u>
1	71424951400	FUEL INJECTION PUMP ASSY.	1.....	INCLUDES ITEMS W/*
18	71421053100	FUEL INJECTOR.....	1.....	INCLUDES ITEMS W/\$
19\$	11421053000	NOZZLE ASSY.	1	
21\$	11421053080	NOZZLE NUT	1	
23\$	11421053330	PIN	1	
24\$	11421053120	NOZZLE SPRING	1	
25\$	11421053130	SPRING SEAT	1	
26\$	11421053140	VALVE SPACER ASSY.	1	
27\$	11421053410	SHIM (T=1.00)	1	
27	11421053420	SHIM (T=1.05)	1	
27	11421053430	SHIM (T=1.10)	1	
27	11421053440	SHIM (T=1.15)	1	
27	11421053450	SHIM (T=1.20)	1	
27	11421053460	SHIM (T=1.25)	1	
27	11421053470	SHIM (T=1.30)	1	
27	11421053480	SHIM (T=1.35)	1	
27	11421053490	SHIM (T=1.40)	1	
27	11421053500	SHIM (T=1.45)	1	
27	11421053510	SHIM (T=1.50)	1	
27	11421053520	SHIM (T=1.55)	1	
27	11421053530	SHIM (T=1.60)	1	
27	11421053540	SHIM (T=1.65)	1	
27	11421053550	SHIM (T=1.70)	1	
27	11421053560	SHIM (T=1.75)	1	
27	11421053570	SHIM (T=1.80)	1	
27	11421053580	SHIM (T=1.85)	1	
27	11421053590	SHIM (T=1.90)	1	
27	11421053600	SHIM (T=1.95)	1	
27	11421053610	SHIM (T=2.00)	1	

Go to Discount-Equipment.com to order your parts

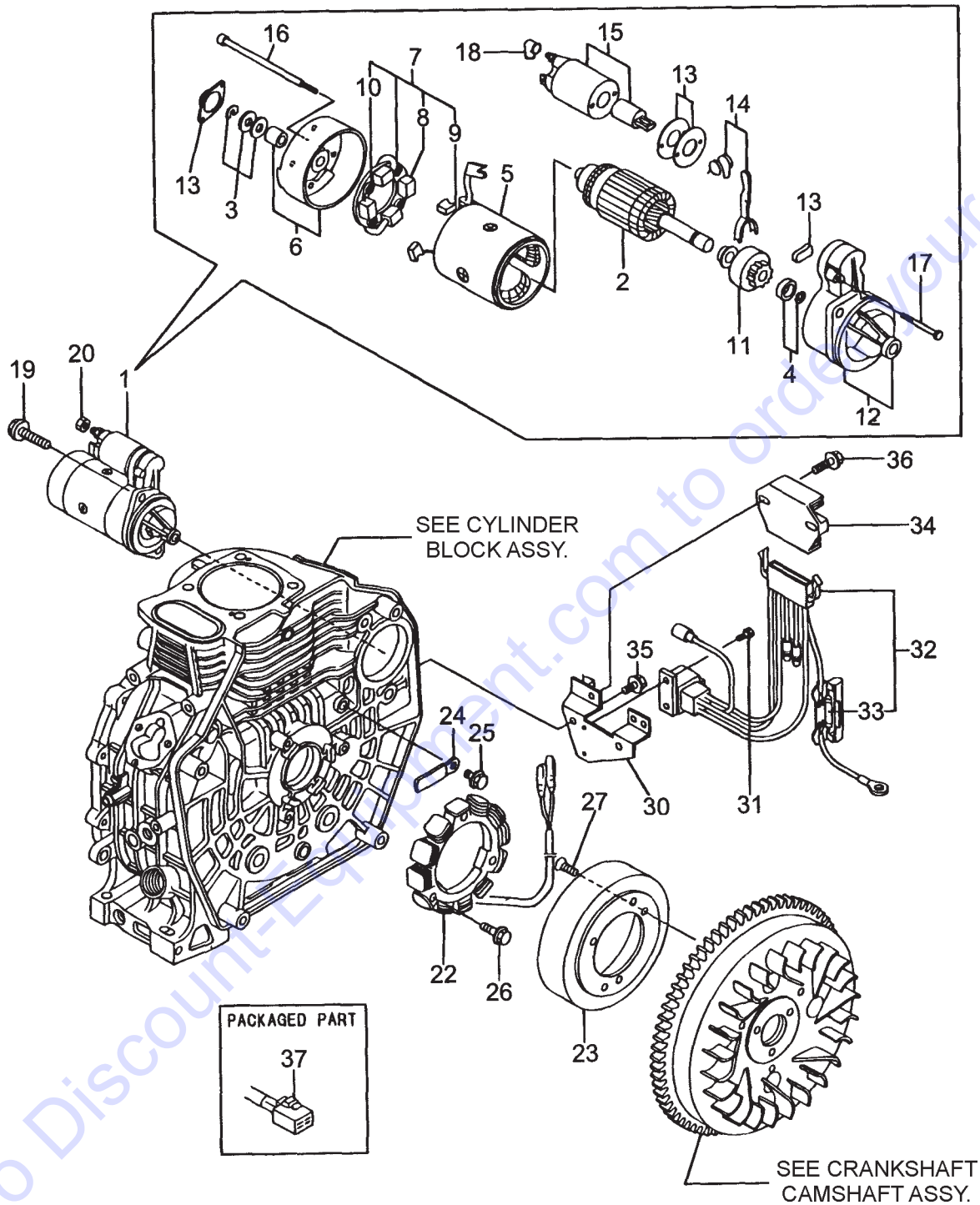
YANMAR L70V6 — FUEL TANK AND FUEL LINE ASSY.



YANMAR L70V6 — FUEL TANK AND FUEL LINE ASSY.

<u>NO.</u>	<u>PART NO.</u>	<u>PART NAME</u>	<u>QTY.</u>	<u>REMARKS</u>
1	71424955020	FUEL TANK, BLACK.....	1.....	INCLUDES ITEMS W/@
3@	11429955080	DRAIN PLUG	1	
4@	23414080000	PACKING 8	1	
5@	11428855041	FUEL TANK CAP ASSY.	1.....	INCLUDES ITEMS W/+
7@+	11428855081	CAP VALVE	1	
8	11425055100	FILTER, FUEL	1	
10	11435055150	PIPE GUAGE	1	
11	10385455220	CLAMP	2	
12	11425055201	FUEL TANK DAMPER	4	
13	11423955120	FUEL FILTER.....	1.....	INCLUDES ITEMS W/#
14#	11425055130	GASKET	1	
15	11421055210	FUEL TANK STAY A	1	
16	11421055230	FUEL TANK STAY B	1	
17	11424055300	FUEL COCK ASSY.	1.....	INCLUDES ITEMS W/ \$
18\$	24341000150	O-RING 1A S- 15.0	1	
19	11421055810	LIFTING BOLT	1	
20	22117080000	WASHER 8	1	
21	26106060162	BOLT M 6X 16 PLATED	2	
22	26106080452	BOLT M 8X 45 PLATED	1	
23	26366060002	NUT M6	2	
25>	11478059060	FUEL OIL PIPE	1	
26>	23080014000	CLAMP 14	2	
27	11423959300	RETURN PIPE ASSY.....	1.....	INCLUDES ITEMS W/%
28%	12472259050	CLAMP 9	1	
29%	11465059060	FUEL RETURN PIPE	1	
30	12406659100	CLAMP 8	1	
31%	11465259310	PROTECT TUBE	1	
32%	12175059890	RETAINER	1	
33	11421059800	FUEL INJECTION PIPE	1	
39	11421059850	INJECTION PIPE SUPPORT	1	

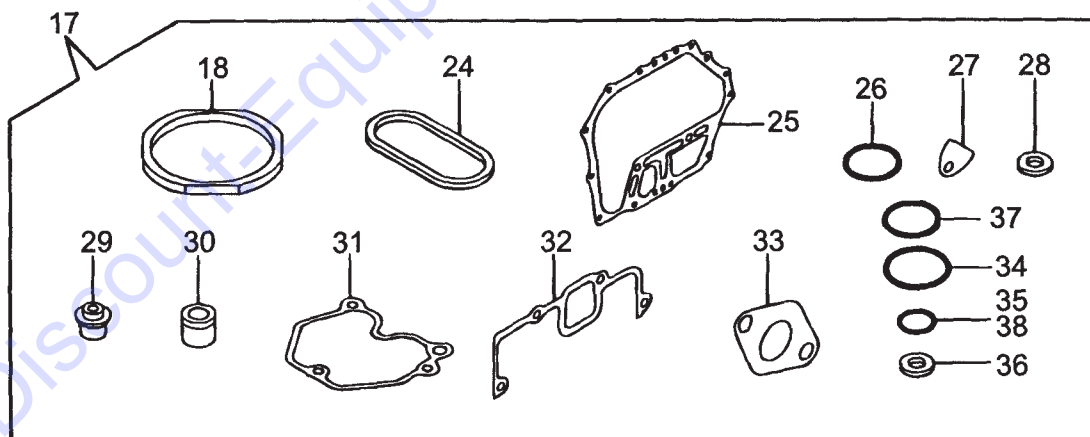
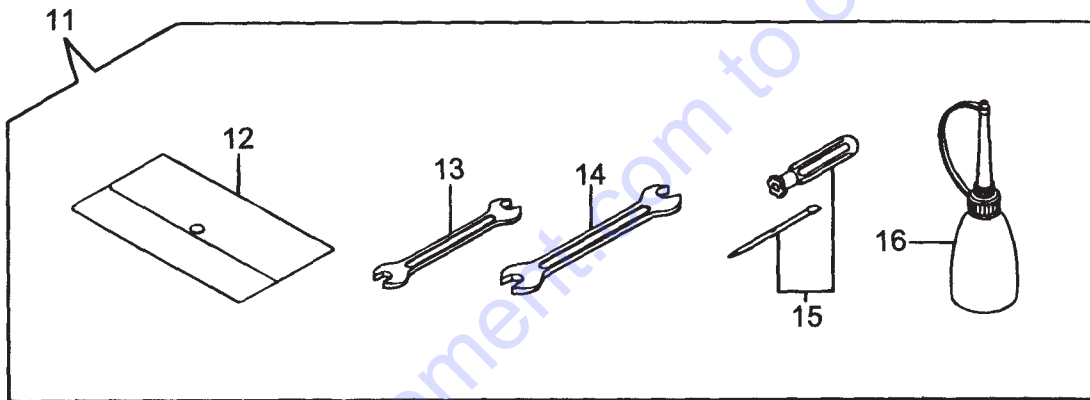
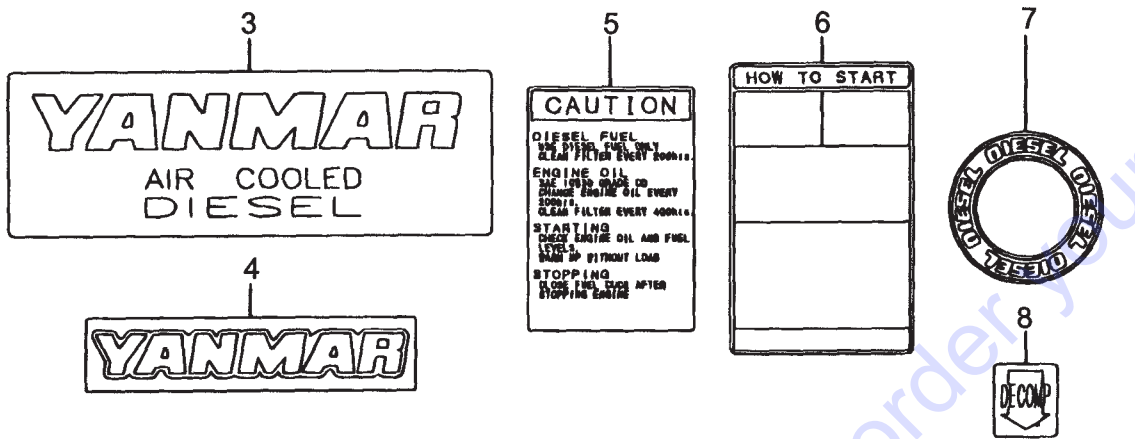
YANMAR L70V6 — STARTING MOTOR AND DYNAMO ASSY.



YANMAR L70V6 — STARTING MOTOR AND DYNAMO ASSY.

<u>NO.</u>	<u>PART NO.</u>	<u>PART NAME</u>	<u>QTY.</u>	<u>REMARKS</u>
1	71436277011	STARTER.....	1.....	INCLUDES ITEMS W/ \$
2 \$	11438177110	ARMATURE	1	
3 \$	X2114811000	THRUST WASHER KIT	1	
4 \$	X2114715500	PINION STOPPER SET	1	
5 \$	11438177130	FIELD COIL ASSY.	1	
6 \$	11438177140	REAR COVER	1	
7 \$	11437177160	BRUSH HOLDER ASSY.....	1.....	INCLUDES ITEMS W/#
8 \$#	11437179040	BRUSH (-)	2	
9 \$#	11437179050	BRUSH (+)	1	
10 \$#	11437179060	BRUSH SPRING	4	
11 \$	X211445508	PINION ASSY.	1	
12 \$	11438177151	GEAR HOUSING ASSY.	1	
13 \$	11437177170	DUST COVER KIT	1	
14 \$	11437177180	SHIFT LEVER KIT	1	
15 \$	12969877020	MAGNET SWITCH	1	
16 \$	11926077260	THROUGH BOLT	2	
17 \$	11437179070	BOLT M6X37	2	
18 \$	12125477810	TERMINAL COVER	1	
19	26106100302	BOLT M10X30 PLATED	2	
20	26716080002	NUT M8	1	
22	11439978730	STATOR ASSY.	1	
23	11439978740	DYNAMO WHEEL	1	
24	16026078700	CORD CLAMP	1	
25	26106060122	BOLT M6X12 PLATED	1	
26	26106060202	BOLT M6X20 PLATED	3	
27	26577060152	SCREW M6X15	3	
30	11434077400	HARNESS BRACKET	1	
31	26023040102	SCREW M4X10	2	
32	11435177540	WIRE HARNESS	1.....	INCLUDES ITEMS W/ %
33%	29411200000	CARTRIDGE FUSE 20A	2	
34	11434077710	REGULATOR	1	
35	26106060182	BOLT M6X18 PLATED	2	
36	26106060202	BOLT M6X20 PLATED	2	
37	11435177520	JOINT	1	

YANMAR L70V6 — TOOL, LABEL, AND GASKET ASSY.



YANMAR L70V6 — TOOL, LABEL, AND GASKET ASSY.

<u>NO.</u>	<u>PART NO.</u>	<u>PART NAME</u>	<u>QTY.</u>	<u>REMARKS</u>
3	11429907100	AIR COOLED LABEL	1	
4	11429907110	YANMAR LABEL	1	
5	11421007120	CAUTION LABEL	1	
6	11421007130	HOW TO START- E LABEL	1	
7	11429907160	DIESEL LABEL	1	
8	11421007200	DECOMPRESSION LABEL	1	
11	11429992590	TOOL ASSY.	1	INCLUDES ITEMS W/ %
12%	11429992600	TOOL BAG	1	
13%	11429992710	WRENCH, BOX	1	
14%	11429992720	WRENCH, BOX	1	
15%	11429992730	DRIVER	1	
16%	11429992740	FUEL FITTING	1	
17	71421092600	GASKET SET (NON- ASB).....	1	INCLUDES ITEMS W/ #
18#	11439501330	CYLINDER HEAD GASKET ASSY.	1	
24#	11435001380	O-RING	1	
25#	11435001412	CRANK CASE GASKET	1	
26#	24311000180	O-RING	2	
27#	11425001841	GASKET	1	
28#	22190160002	WASHER SEAL 16S	2	
29#	11435011340	VALVE STEM SEAL	2	
30#	11477111461	NOZZLE GASKET	1	
31#	11421011310	BONNET GASKET	1	
32#	11421012210	AIR CLEANER GASKET	1	
33#	11429913200	MUFFLER GASKET	1	
34#	11429932570	O-RING COVER	1	
35#	24341000100	O-RING 1A S- 10.0	1	
36#	23414080000	PACKING 8	1	
37#	24341000224	O-RING 1A S- 22.4	1	
38#	24341000150	O-RING 1A S-15.0	1	

PARTS FINDER

**Search Website
by Part Number**



**Search Manual
Library For Parts
Manual & Lookup Part
Numbers – Purchase
or Request Quote**

Search Manuals

Enter your information to help us find the right parts manual for your machine.

* Brand:

* Model:

* Serial:

* Part Number:

SEARCH

**Can't Find Part or
Manual? Request Help
by Manufacturer,
Model & Description**

Parts Order Form

Please fill in the following information to help us find the right part for your machine.

Manufacturer:	<input type="text"/>
Model:	<input type="text"/>
Description:	<input type="text"/>
Part Number:	<input type="text"/>
Quantity:	<input type="text"/>
Notes:	<input type="text"/>

Submit

Discount-Equipment.com is your online resource for quality parts & equipment.

Florida: **561-964-4949** Outside Florida TOLL FREE: **877-690-3101**

Need parts?

Click on this link: <http://www.discount-equipment.com/category/5443-parts/> and choose one of the options to help get the right parts and equipment you are looking for. Please have the machine model and serial number available in order to help us get you the correct parts. If you don't find the part on the website or on one of the online manuals, please fill out the request form and one of our experienced staff members will get back to you with a quote for the right part that your machine needs.

We sell worldwide for the brands: Genie, Terex, JLG, MultiQuip, Mikasa, Essick, Whiteman, Mayco, Toro Stone, Diamond Products, Generac Magnum, Airman, Haulotte, Barreto, Power Blanket, Nifty Lift, Atlas Copco, Chicago Pneumatic, Allmand, Miller Curber, Skyjack, Lull, Skytrak, Tsurumi, Husquvarna Target, Stow, Wacker, Sakai, Mi-T-M, Sullair, Basic, Dynapac, MBW, Weber, Bartell, Bennar Newman, Haulotte, Ditch Runner, Menegotti, Morrison, Contec, Buddy, Crown, Edco, Wyco, Bomag, Laymor, EZ Trench, Bil-Jax, F.S. Curtis, Gehl Pavers, Heli, Honda, ICS/PowerGrit, IHI, Partner, Imer, Clipper, MMD, Koshin, Rice, CH&E, General Equipment, Amida, Coleman, NAC, Gradall, Square Shooter, Kent, Stanley, Tamco, Toku, Hatz, Kohler, Robin, Wisconsin, Northrock, Oztec, Toker TK, Rol-Air, APT, Wylie, Ingersoll Rand / Doosan, Innovatech, Con X, Ammann, Mecalac, Makinex, Smith Surface Prep, Small Line, Wanco, Yanmar