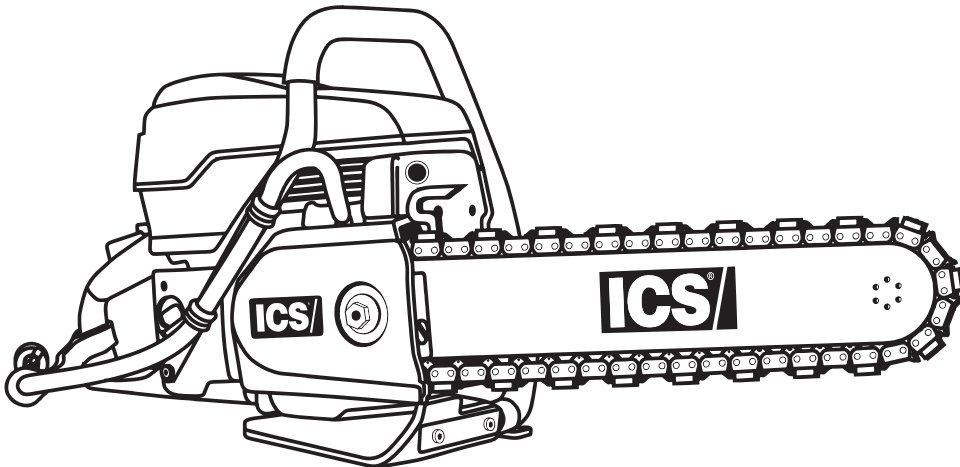




# 695GC/F4



## SERVICE MANUAL

SECTION	SECTION TITLE	PAGE NUMBER
	SERVICE MANUAL USE	3
1	TOOLS	4
2	SAW SPECIFICATIONS	5
3	SERIAL NUMBER LOCATION	6
4	SPARE PARTS DIAGRAM (TORQUE SPECIFICATIONS AND LOCTITE® APPLICATION)	7
5	AIR INTAKE	19
6	SPARK PLUG	20
7	SIDE COVER & TENSIONER	22
8	CLUTCH & RIM SPROCKET	24
9	STARTER SYSTEM	30
10	CARBURETOR REMOVAL	35
11	MUFFLER/W BAR STUD	39
12	MUFFLER/W BAR STUD	40
13	IGNITION MODULE	41
14	STOP SWITCH	42
15	WATER HOSE	44
16	CYLINDER & PISTON	45
17	BOTTOM GUARD/FRONT HANDLE	51
18	REAR HANDLE	53
19	FUEL TANK & COMPONENTS	57
20	CRANKCASE	63
21	CARBURETOR TUNING	77
22	IDLE SPEED ADJUSTMENT	80
23	TROUBLESHOOTING DIAGRAMS	81
24	TROUBLESHOOTING: FUEL SYSTEM	83
25	TROUBLESHOOTING: CRANKCASE LEAKS	87
	APPENDIX	
	1. SPARK PLUG REFERENCE GUIDE	89

## Service Manual Use

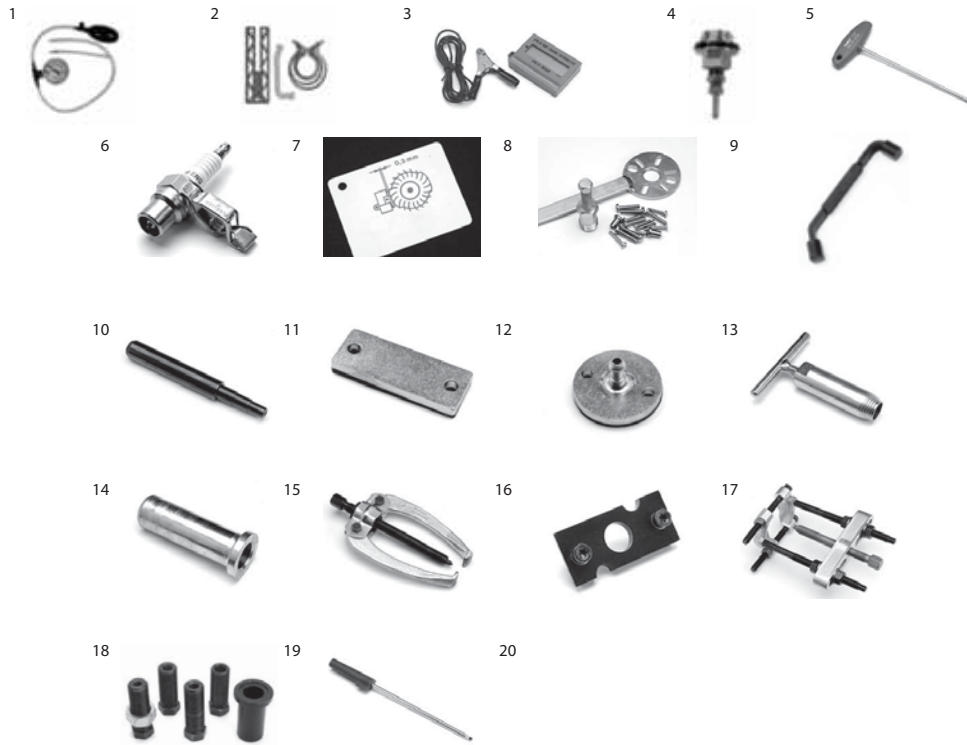
This manual contains all the technical information necessary for carrying out repairs on the 695GC/F4 saw. For safe, efficient work, it is of prime importance that the values indicated be adhered to. Routine periodic maintenance is covered in the operator's manual included with each saw.

### General Service Rules

- Always use the right tools for the job, otherwise components may be damaged.
- Use a plastic dead blow mallet to separate parts attached solidly to each other.
- Mark mating parts as a reassembly reference.
- Keep component parts together as a group. Assemble screws and nuts into appropriate subgroups.
- When reassembling, clean all parts carefully, lubricate moving parts and replace all oil seals, o-rings, gaskets, washers and self-locking nuts.
- **For best results, use only original ICS® replacement parts.**

### General Recommendations

- Some procedures in this manual require the use of special tools. These are noted in the service manual.
- Detailed carburetor maintenance and overhaul information is available in Walbro's Diaphragm Carburetor Service Manual. Walbro can be contacted at <http://www.walbro.com> or by calling 1.989.872.2131.



Key #	Part No.	Description
1	71541	Pressure Gauge Bulb
2	71543	Cylinder Assembly Clamps & Piston Stop
3	71565	Electronic Tachometer
4	73425	Fuel Tank Pressure Cap
5	546191	Workshop Key Torx T27
6	546192	Test Spark Plug
7	546193	Air Gap Gauge
8	546194	Flywheel Puller
9	547277	Piston Stop
10	546196	Wrist Pin Punch
11	546197	Cylinder Seal, Exhaust
12	546198	Cylinder Seal, Inlet Port
13	546289	Puller, Sealing Ring
14	546291	Assembly Punch
15	546292	Universal Puller
16	546293	Grip Plate
17	546294	Bearing Puller
18	546295	Bearing Press
19	546307	Screwdriver, Idle
20	546659	Clutch Tool
not shown	70249	14T Bar Nose Sprocket Repair Kit (for 695GC)
not shown	530046	FORCE4™ Bar Nose Sprocket Repair Kit (for 695F4)
not shown	505882	2-Stroke Oil, 25:1 Mix, 5.2 oz. (158 ml) (6-pack)
not shown	505883	2-Stroke Oil, 25:1 Mix, 5.2 oz. (158 ml) (24-pack)

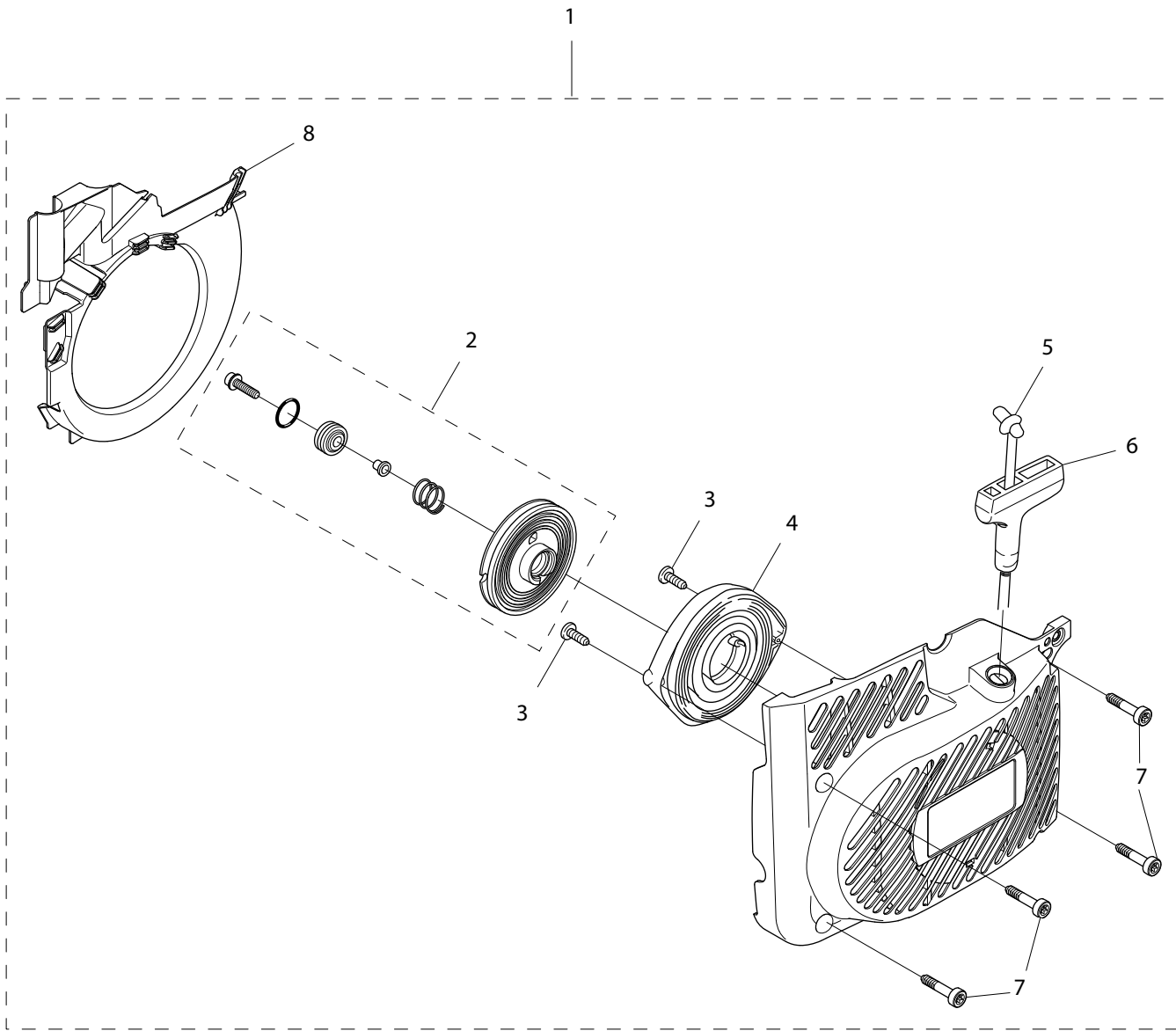
## Specifications

Engine Type	2-stroke, Air Cooled
Displacement	5.7 cu-in (94 cc)
Horsepower	6.4 hp (4.8 kW) @ 9000 rpm
Torque	50.4 in-lbs (5.7 Nm) @ 7,200 rpm
Engine Speed	9,300 +/- 150 rpm (max) 2,700 +/- 100 rpm (idle)
Piston ring gap (Maximum)	.04 in/1.0mm
Weight	21 lbs (9.5 kg) powerhead only
Dimensions	18 in (46 cm) length 14 in (36 cm) height 12 in (30 cm) width
Carburetor	Walbro RWJ-5A
Air Filtration	Water resistant polyester
Starter	Dust and water resistant
Ignition	Special water resistant electronic ignition
Spark plug type	NGK BPMR7A or Champion RCJ6Y Electrode gap 0.020 in (0.5 mm)
Clutch	Centrifugal, three shoe, three spring
Fuel Mix Ratio	25:1 (4%) gasoline-to-oil
Fuel Capacity	0.26 gallon (1 liter)
Water Supply	Minimum 20 psi (1.5 bar)
Noise Level	112 dB(A) at 3 ft (1 m)
Vibration Level	3.9 m/s <sup>2</sup> (front handle) 4.1 m/s <sup>2</sup> (rear handle)

3. This section shows the single location of the serial number.

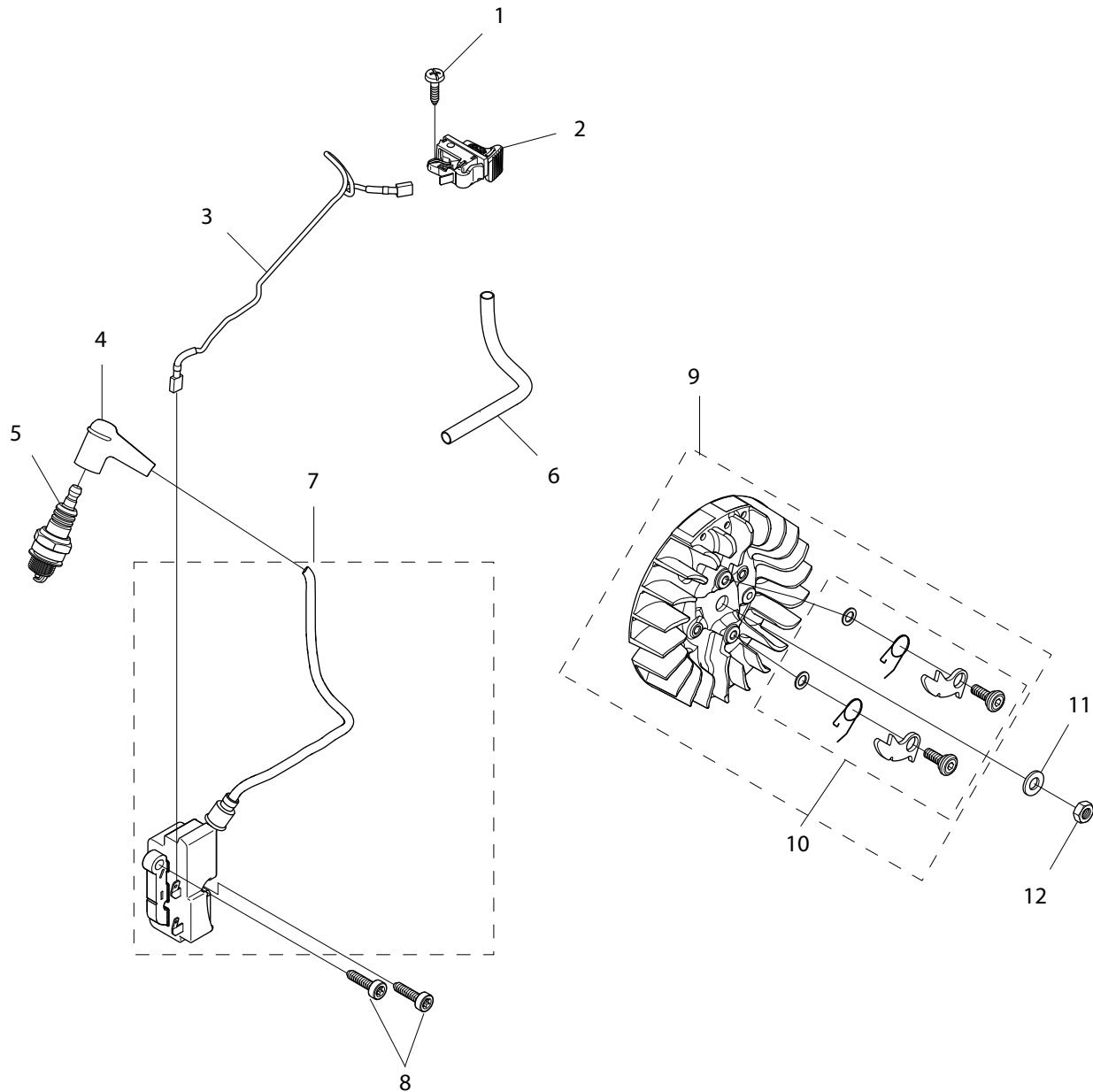


4. This section covers spare parts.



STARTER ASSEMBLY

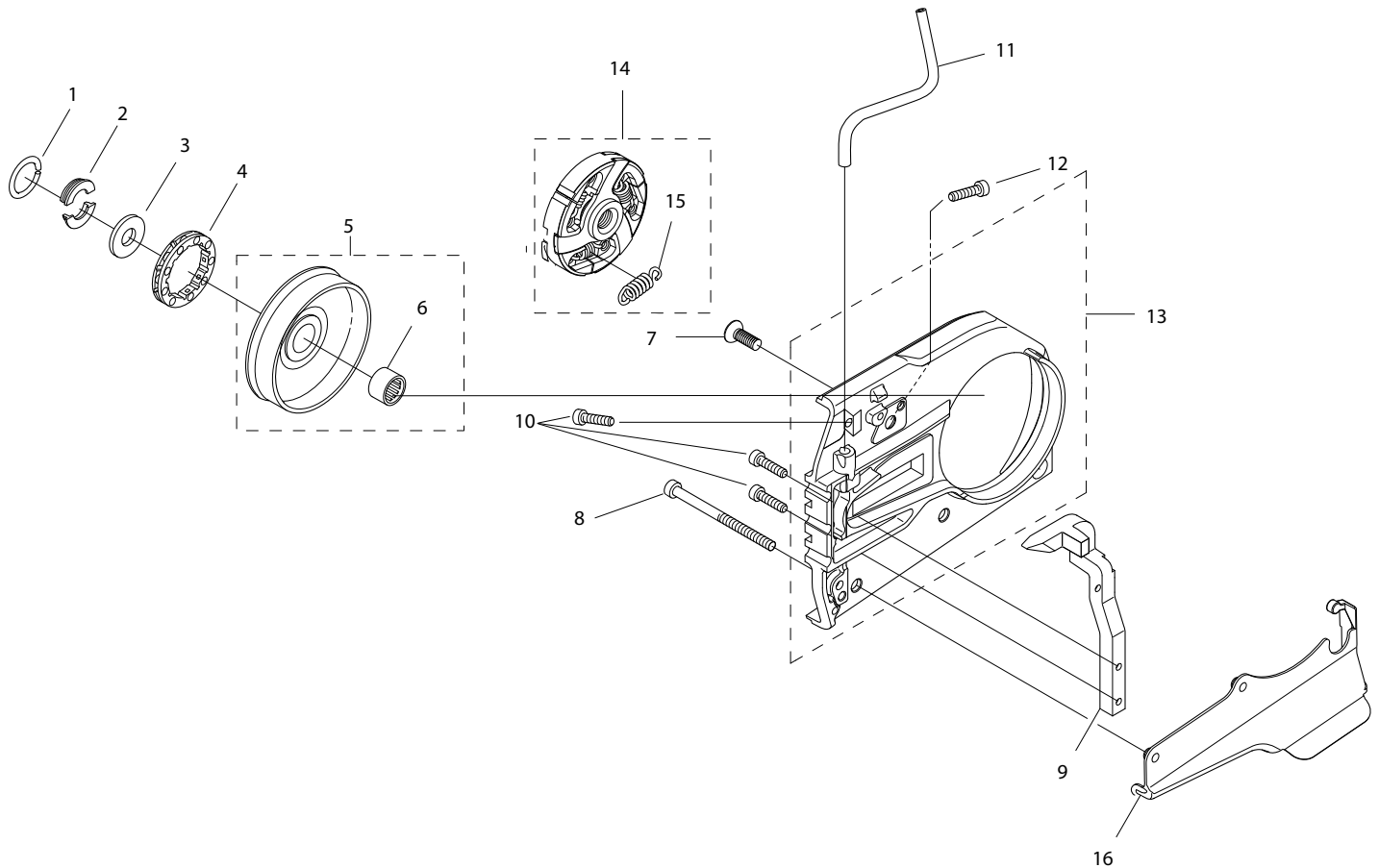
KEY	DESCRIPTION	TORQUE		LOCTITE® 242	PART NUMBER
		Nm	in-lbs.		
1	STARTER COVER ASSEMBLY				544013
2	STARTER PULLEY KIT				544127
3	SCREW			x	543974
4	RECOIL SPRING				544021
5	STARTER CORD				544023
6	STARTER HANDLE				544024
7	SCREW	7 - 9	60 - 78		544012
8	STARTER COVER SHIELD				544026



FLYWHEEL & IGNITION ASSEMBLY

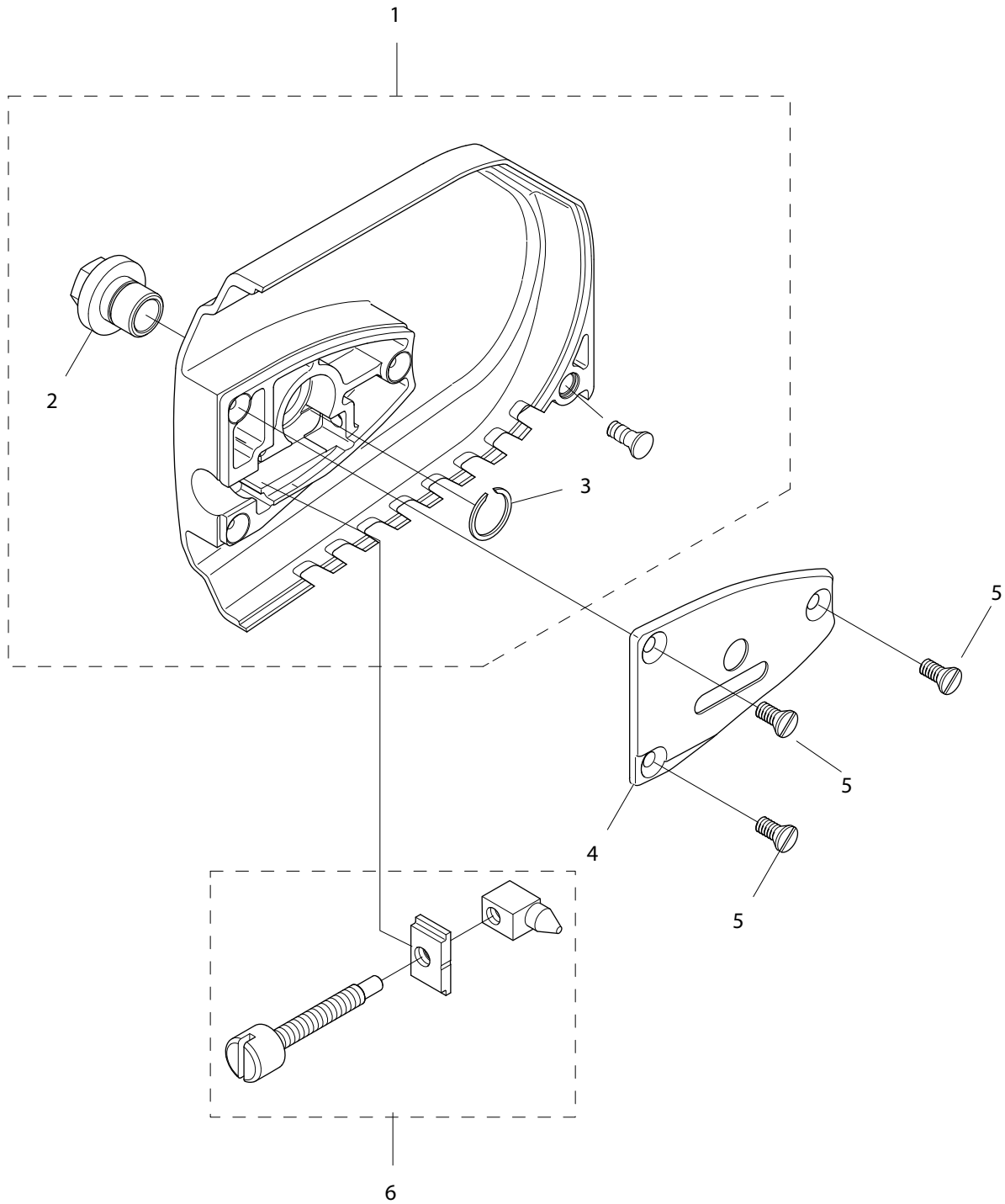
KEY	DESCRIPTION	TORQUE		LOCTITE® 242	PART NUMBER
		Nm	in-lbs.		
1	STOP SWITCH SCREW			x	544030
2	STOP SWITCH				544031
3	STOP SWITCH CABLE				544032
4	SPARK PLUG CAP				544033
5	SPARK PLUG				544034
6	PROTECTIVE SLEEVE				544035
7	IGNITION MODULE				544036
8	IGNITION MODULE SCREW	10 - 12	89 - 105	x	544038
9	FLYWHEEL				544053
10	STARTER PAWL KIT (INCL. TWO OF EACH ITEM)				544125
11	FLYWHEEL WASHER				544058
12	FLYWHEEL NUT	25 - 30	216 - 264		544059





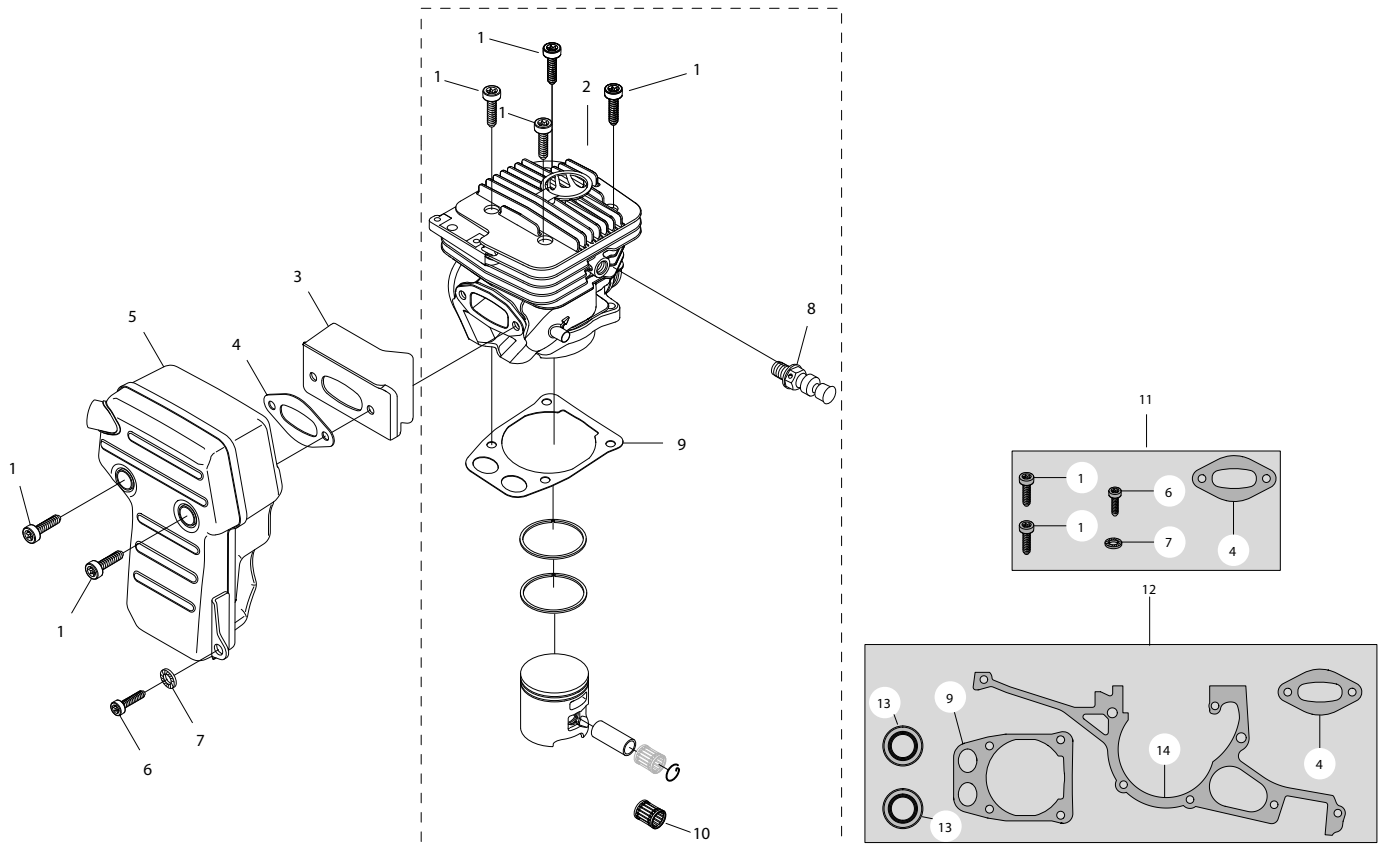
CLUTCH ASSEMBLY & WALLWALKER®

KEY	DESCRIPTION	TORQUE		LOCTITE® 242	PART NUMBER
		Nm	in-lbs.		
1	RETAINING RING				543905
2	SPLIT RETAINER				543906
3	SPACER				543907
4	695F4 FORCE4™ SPROCKET				525496
4	695GC RIM SPROCKET				70949
5	CLUTCH CUP				543909
6	NEEDLE BEARING				543910
7	BAR BRACKET SCREW			x	543911
8	CRANK CASE BOLT			x	543912
9	WALLWALKER®				544130
10	WALLWALKER® SCREW				543920
11	WATER PIPE				543915
12	WATER PIPE SCREW			x	546548
13	BAR BRACKETS				543916
14	CLUTCH ASSEMBLY				547856
15	CLUTCH SPRING				543928
16	SHIELD				544137



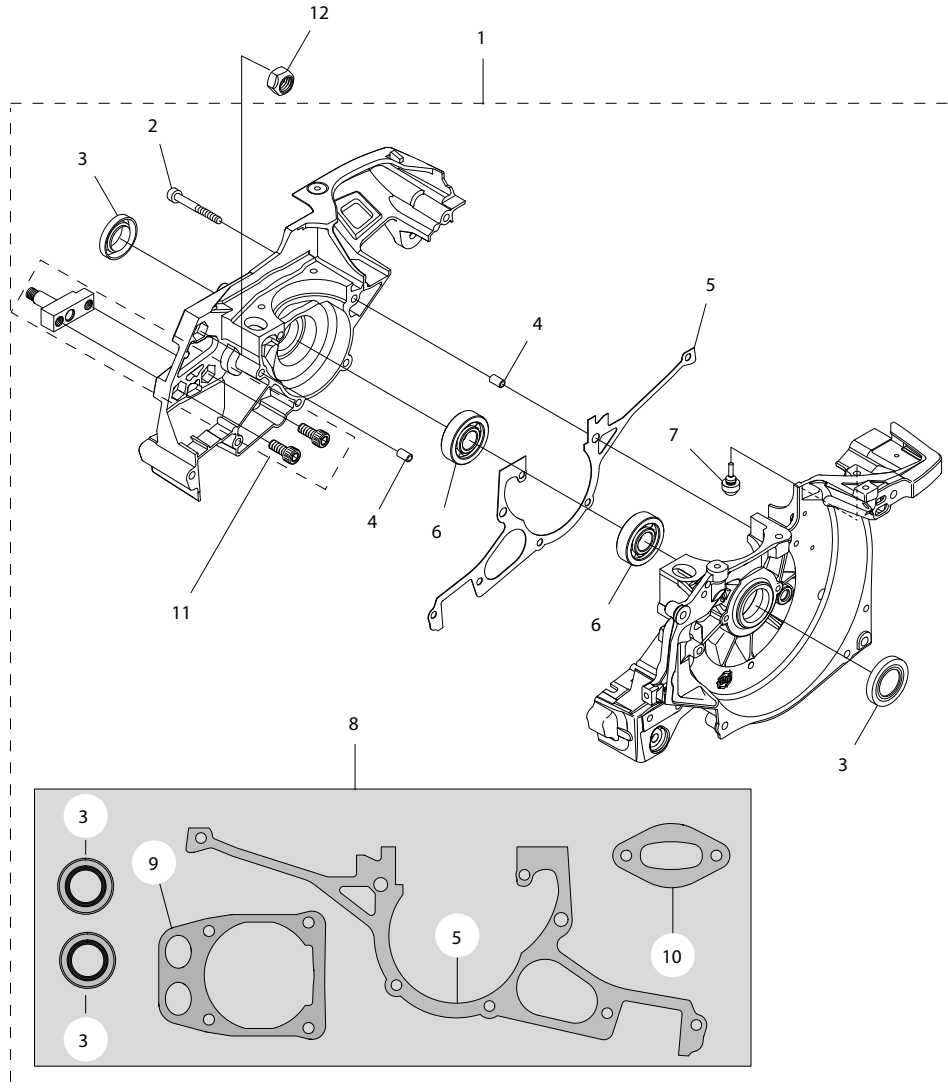
SIDE COVER & TENSIONER ASSEMBLY

KEY	DESCRIPTION	TORQUE		LOCTITE® 242	PART NUMBER
		Nm	in-lbs.		
1	SIDE COVER ASSEMBLY				543899
2	SIDE COVER NUT	27 - 34	240 - 300		543900
3	SIDE COVER NUT CIRCLIP				543901
4	TENSIONER COVER PLATE SCREW				543902
5	SCREW, SIDE COVER CAP			x	543903
6	TENSIONER				543904



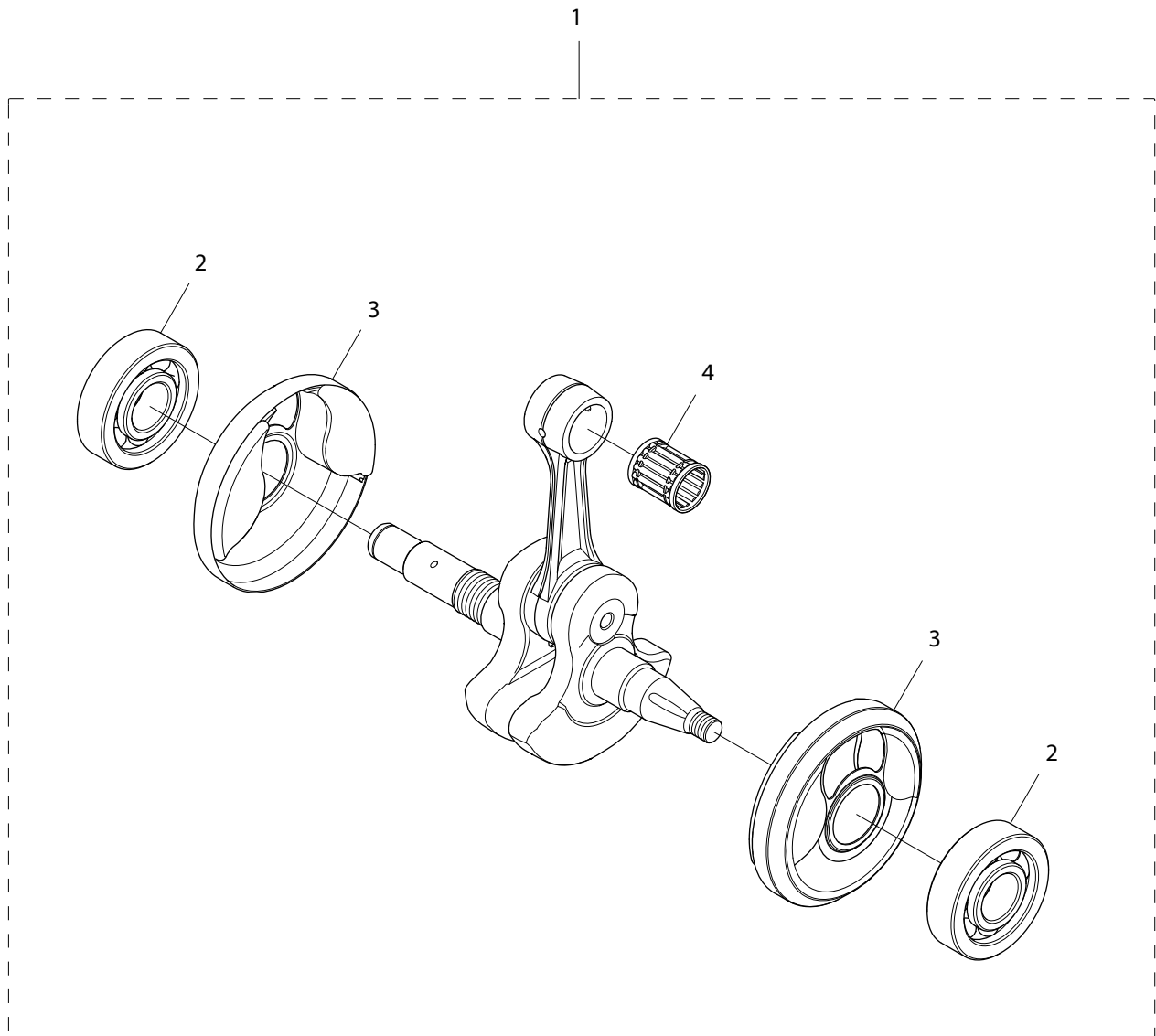
CYLINDER & EXHAUST ASSEMBLIES

KEY	DESCRIPTION	TORQUE		LOCTITE® 242	PART NUMBER
		Nm	in-lbs.		
1	CYLINDER/MUFFLER SCREW	15 - 18	132 - 156	x	543942
2	PISTON/CYLINDER KIT				545873
3	HEAT DEFLECTOR				543844
4	MUFFLER GASKET				543938
5	MUFFLER				543845
6	LOWER MUFFLER MOUNTING SCREW			x	543846
7	MUFFLER MOUNTING WASHER				543847
8	DECOMPRESSION VALVE				543848
9	CYLINDER BASE GASKET				543937
10	NEEDLE BEARING				543949
11	MUFFLER MOUNT KIT				543950
12	GASKET KIT				543936
13	SEALING RING				543931
14	CRANKCASE GASKET				543933



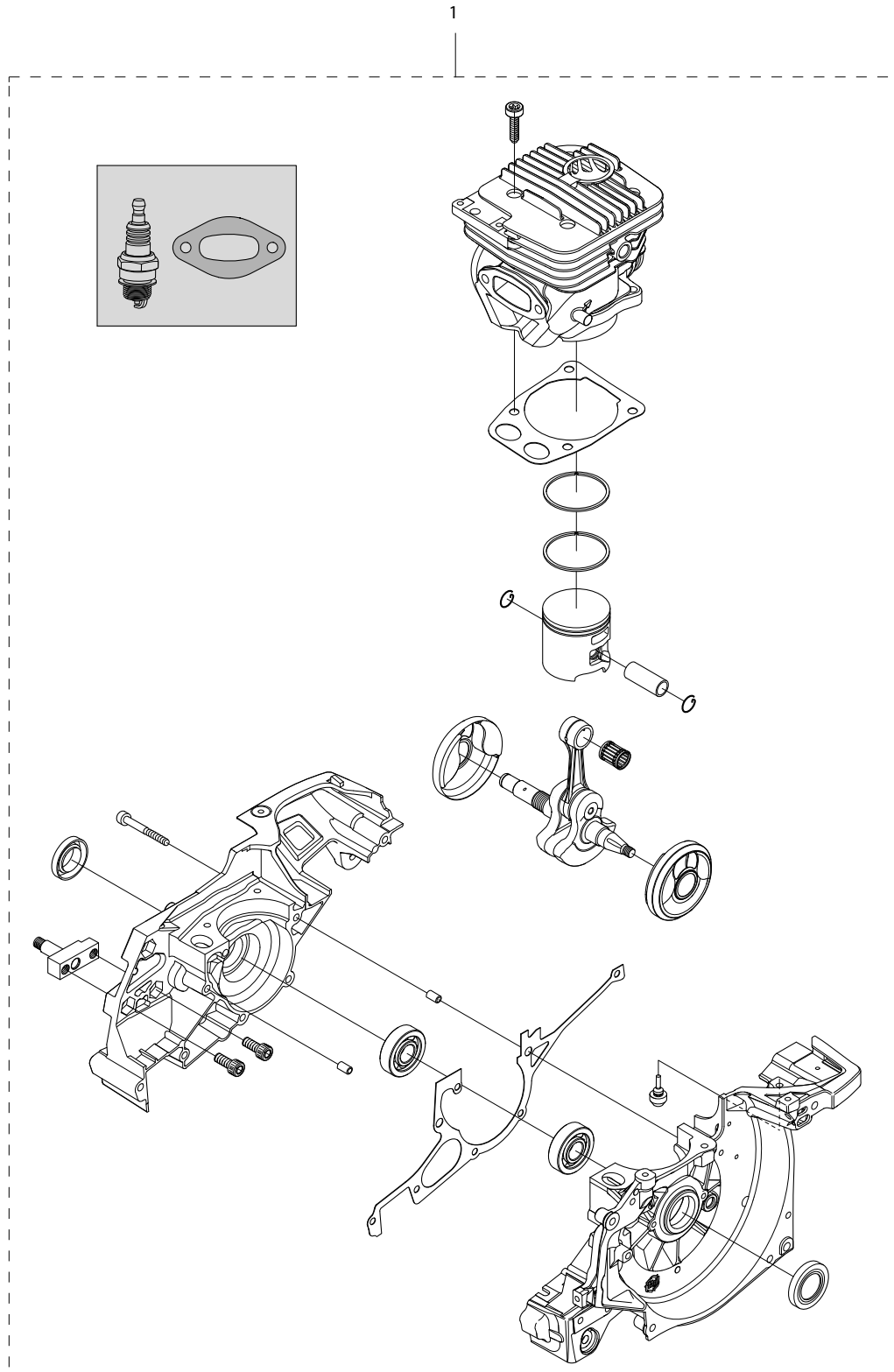
CRANKCASE ASSEMBLY

KEY	DESCRIPTION	TORQUE		LOCTITE® 242	PART NUMBER
		Nm	in-lbs.		
1	CRANKCASE ASSEMBLY				543929
2	CRANKCASE SCREW	12 - 14	106 - 124	x	543930
3	SEALING RING				543931
4	GUIDE PIN				543932
5	CRANKCASE GASKET				543933
6	MAIN BEARING				543934
7	RUBBER BUSHING				543935
8	GASKET KIT				543936
9	CYLINDER BASE GASKET				543937
10	MUFFLER GASKET				543938
11	BAR STUD KIT			x	544129
12	BAR BRACKET NUT				543941



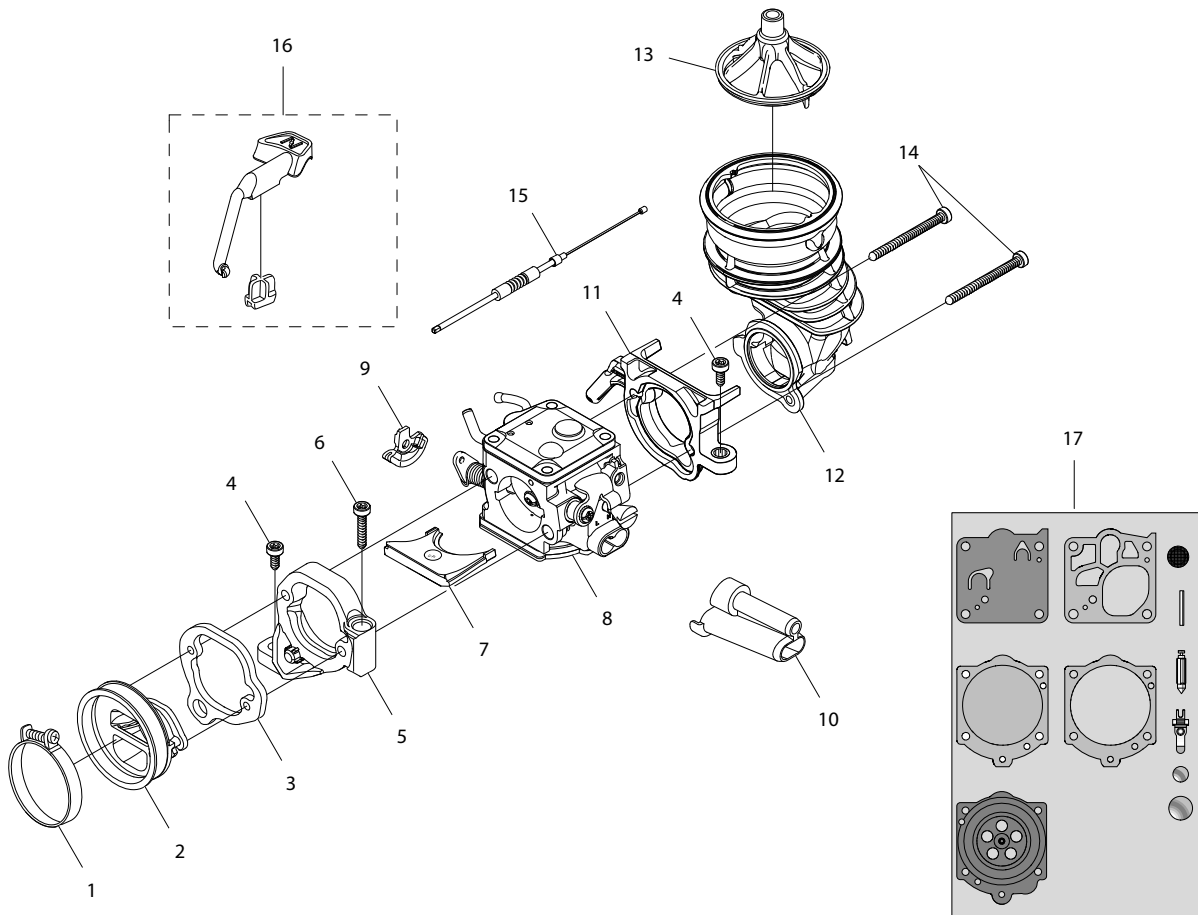
CRANKSHAFT ASSEMBLY

KEY	DESCRIPTION	TORQUE		LOCTITE® 242	PART NUMBER
		Nm	in-lbs.		
1	CRANKSHAFT ASSEMBLY				543952
2	MAIN BEARING				543934
3	CRANKSHAFT SHIELD				543953
4	NEEDLE BEARING				543949



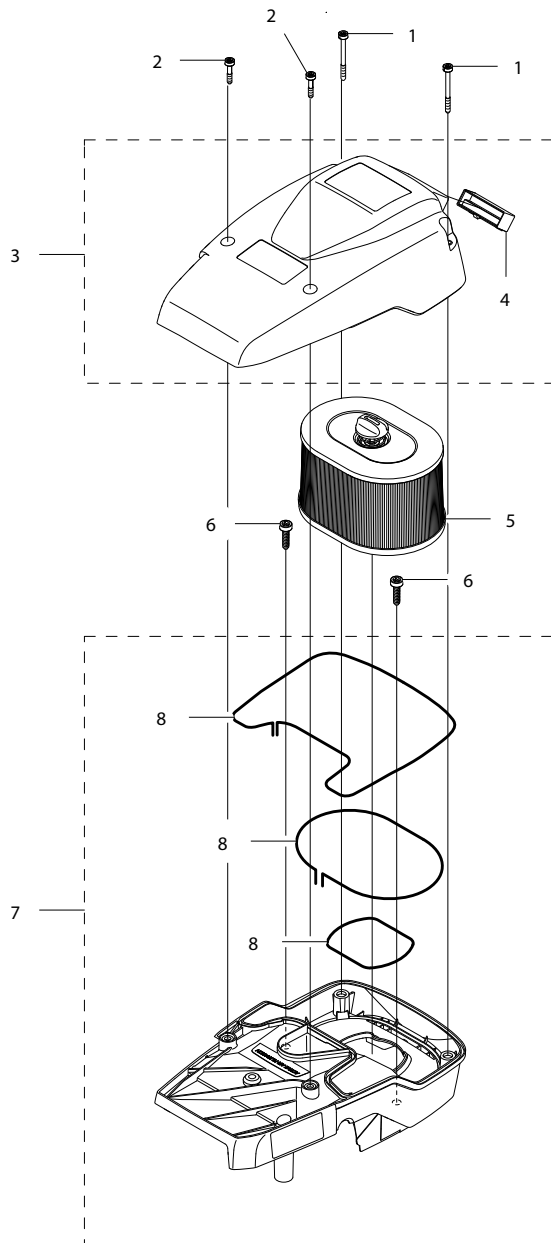
COMPLETE ENGINE ASSEMBLY

KEY	DESCRIPTION	TORQUE		LOCTITE® 242	PART NUMBER
		Nm	in-lbs.		
1	CRANKCASE W/PISTON & CYL COMPLETE				544121



CARBURETOR & INTAKE ASSEMBLIES

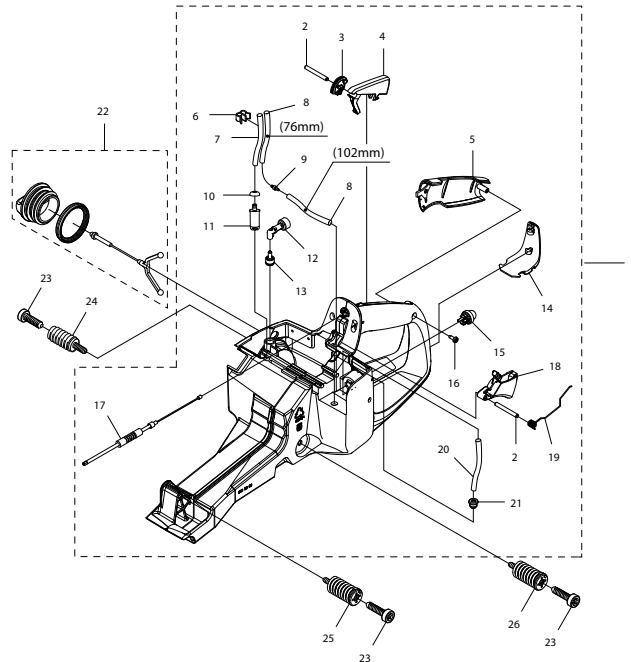
KEY	DESCRIPTION	TORQUE		LOCTITE® 242	PART NUMBER
		Nm	in-lbs.		
1	INLET BOOT CLAMP				544069
2	INLET BOOT				544070
3	FLANGE				544071
4	FLANGE CLUTCH SIDE SCREW			x	544072
5	FLANGE BRACKET				544073
6	SCREW			x	544065
7	SEPARATOR PLATE				544074
8	CARBURETOR (WALBRO RWJ-5A)				544075
9	THROTTLE CABLE LEVER				544111
10	ADJUSTMENT GUIDE				544116
11	MANIFOLD BRACKET				544112
12	AIR INTAKE MANIFOLD				544113
13	AIR FILTER BRACKET				544114
14	CARBURETOR MOUNTING SCREW			x	544115
15	THROTTLE CABLE ASSEMBLY				543975
16	CHOKE LEVER				544117
17	CARBURETOR REPAIR KIT				544118



CYLINDER & AIR FILTER ASSEMBLIES

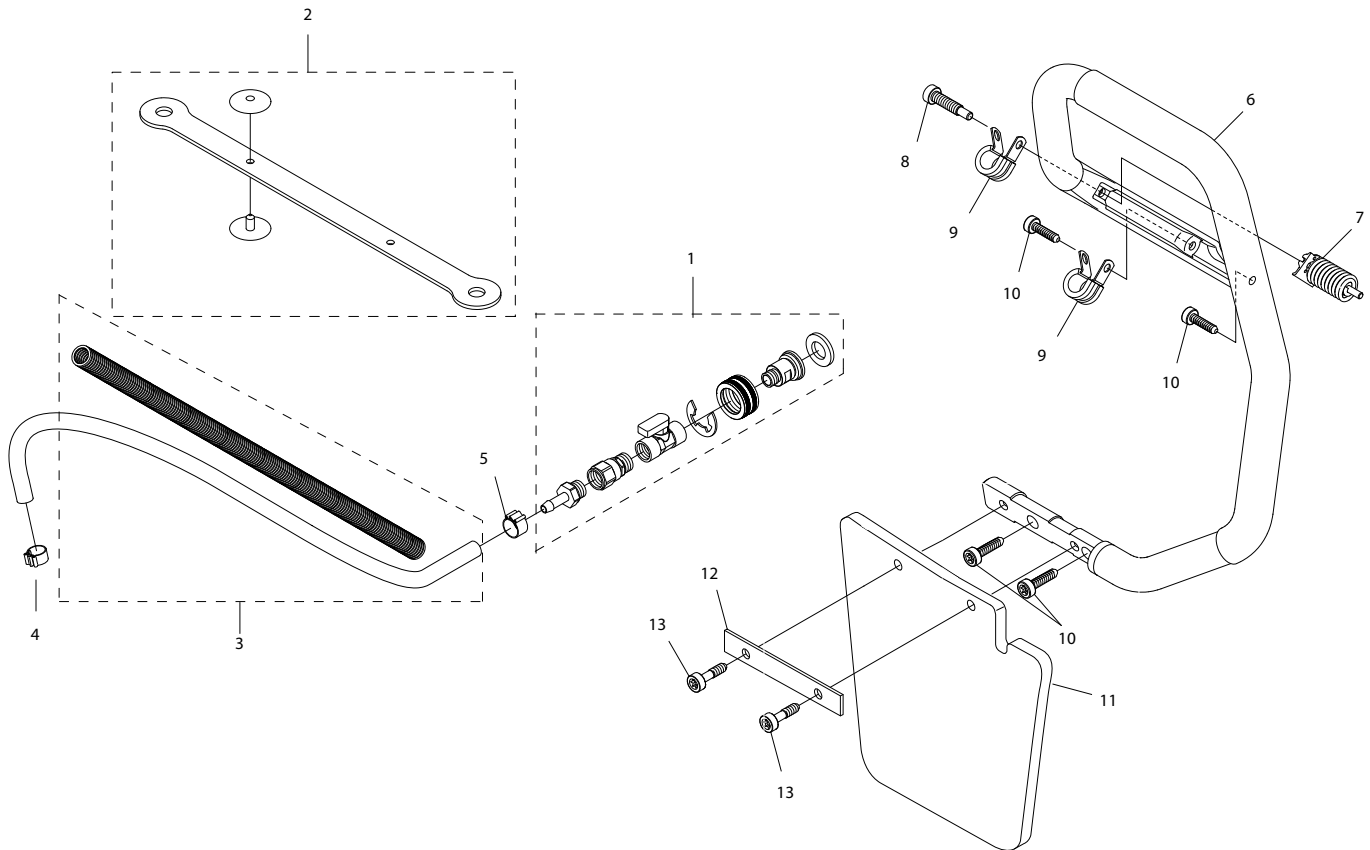
KEY	DESCRIPTION	TORQUE		LOCTITE® 242	PART NUMBER
		Nm	in-lbs.		
1	FILTER COVER REAR SCREW	3.5	31		544060
2	FILTER COVER FRONT SCREW	2	20		544061
3	FILTER COVER				544062
4	AIR INTAKE INSERT				544063
5	AIR FILTER				544064
6	CYLINDER COVER SCREW			x	544065
7	CYLINDER COVER ASSEMBLY				544066
8	CYLINDER COVER SEALS				544067





FUEL TANK ASSEMBLY

KEY	DESCRIPTION	TORQUE		LOCTITE® 242	PART NUMBER
		Nm	in-lbs.		
1	FUEL TANK ASSEMBLY				543812
2	PARALLEL PIN				543813
3	CABLE LEVER				543814
4	THROTTLE LOCK OUT LEVER				543815
5	REAR HANDLE COVER				543816
6	CLIP				543818
7	FUEL LINE				543993
8	CHECK VALVE TUBE				543994
9	CHECK VALVE				543969
10	HOSE CLAMP				543970
11	FUEL FILTER				543971
12	TANK VENT ASSEMBLY				544990
13	TANK VENT FITTING				544122
14	REAR HANDLE GROUND SUPPORT				543972
15	PURGE BULB				543973
16	REAR HANDLE SCREW				543974
17	THROTTLE CABLE ASSEMBLY				543975
18	THROTTLE TRIGGER				543976
19	TRIGGER SPRING				543977
20	PURGE BULB TUBE				543995
21	GROMMET				543978
22	GAS TANK CAP ASSEMBLY				543979
23	SHOCK ABSORBER SCREW			x	543981
24	SHOCK ABSORBER CLUTCH SIDE			x	543982
25	SHOCK ABSORBER FRONT			x	543983
26	SHOCK ABSORBER FLYWHEEL SIDE			x	543984



WATER DELIVERY SYSTEM

KEY	DESCRIPTION	TORQUE		LOCTITE® 242	PART NUMBER
		Nm	in-lbs.		
1	WATER HOSE VALVE ASSEMBLY				543996
2	HOSE HANGER				547969
3	WATER HOSE WITH PROTECTIVE COVERING				543999
4	CLAMP, WATER HOSE TUBE SIDE				544000
5	CLAMP, WATER HOSE VALVE SIDE				544001
6	FRONT HANDLE				544002
7	SHOCK ABSORBER, FRONT HANDLE				544003
8	SCREW, SHOCK ABSORBERS			x	543981
9	CLIP, FRONT HANDLE				544008
10	SCREW, FRONT HANDLE			x	544009
11	GUARD FLAP				544010
12	BACKING PLATE, GUARD FLAP				544011
13	SCREW, GUARD FLAP			x	544012