



OPERATOR MANUAL

MODELS: 125CM



CONCRETE MIXER

This equipment has been designed and tested to meet the requirements of the Machinery Safety Directive 89/392/EEC and Amendments and therefore carries the CE Mark

Discount Equipment

Discount Equipment Rental is your online resource for commercial and industrial quality equipment sales and rentals. We sell worldwide for the brands Genie, Terex, Stihl, JLG, Multiquip, Mayco, Stone, Diamond Products, Airman, Mustang, Power Blanket. We have complete rental locations throughout Florida.

Locations:

West Palm Beach – [561-964-4949](tel:561-964-4949)

Orlando – [407-291-3162](tel:407-291-3162)

Tampa – [813-248-2848](tel:813-248-2848)

Need parts? Check out our website at www.discount-equipment.com

Can't find what you need? Click on this link:

<http://www.discount-equipment.com/category/5443-parts/> and fill out the request form. Make sure you have your machines model and serial number available in order to help us get you the correct parts. One of our experienced staff members will get back to you with a quote for the right part that your machine needs.

TABLE of CONTENTS

125CM

FOREWORD	4
LIMITED WARRANTY	5
TECHNICAL DATA	6 - 8
Specifications	6
Imperial Torque Chart	7
Metric Torque Chart	8
HEALTH & SAFETY	9 - 13
OPERATIONS	14 - 17
Before Starting	14
Safety Chain Installation	14
Oil Levels and Lubrication	14
Hardware	14
Fuel	14
To Start the Engine/Motor	14 - 15
To Stop The Engine/Motor	15
Operation	15
Capacities	16
Sample Mix	16
Towing	16
Maintenance Schedule	17
CALIFORNIA PROPOSITION 65 WARNING	19

FOREWORD

These instructions include:

- Safety regulations
- Operating instructions
- Maintenance instructions

These instructions have been prepared for operation on the construction site and for the maintenance engineer.

These instructions are intended to simplify operation of the machine and to avoid malfunctions through improper operation.

Observing the maintenance instructions will increase the reliability and service life of the machine when used on the construction site and reduce repair costs and downtimes.

Always keep these instructions at the place of use of the machine.

Only operate the machine as instructed and follow these instructions.

Observe the safety regulations as well as the guidelines of the civil engineering trade association. Observe the safety rules for operation and the pertinent regulations for the prevention of accidents.

Stone Construction Equipment, Inc. is not liable for the function of the machine when used in an improper manner or for other than the intended purpose.

Operating errors, improper maintenance and the use of incorrect operating materials are not covered by the warranty.

The above information does not extend the warranty and liability conditions of business of Stone Construction Equipment, Inc.

Please enter (data on machine type plate)

Machine Type: _____

Machine No.: _____

Engine Type: _____

Engine No.: _____

Stone Construction Equipment, Inc.
P.O. Box 150, Honeoye, New York 14471
Phone: (800) 888-9926
Fax: (716) 229-2363

TECHNICAL DATA

Specifications

Stone 125CM Mixer – Specifications

	125CM
<u>Dimensions</u> Operating Wt.	897 lbs. (w/11hp Honda) 406.9 kg
Batch Capacity (Bags)	1 1/2 - 2 bags
Batch Capacity (cu. ft.)	12 cu. ft. / .34 cu. m.
Total Volume	19.8 cu. ft. / .56 cu. m.
L x W x H	95 x 56 x 70 (in) 241.3 x 142.2 x 177.8 (cm)
Power Source	2 hp / 1.5 kW Electric 6.3 hp / 5.6 kW Robin Diesel 10 hp / 7.5 kW B&S I/P 11 hp / 8.2 kW Honda

TECHNICAL DATA

Imperial Torque Chart

SAE GRADE 5 Coarse Thread, Zinc-Plated		
SIZE	TORQUE	
	ft. lbs.	Nm
1/4 - 20 (.250)	6	8
5/16 - 18 (.3125)	13	18
3/8 - 16 (.375)	23	31
7/16 - 14 (.4375)	37	50
1/2 - 13 (.500)	57	77
9/16 - 12 (.5625)	82	111
5/8 - 11 (.625)	112	152
3/4 - 10 (.750)	200	271
7/8 - 9 (.875)	322	436.5
1 - 8 (1.000)	483	655

SAE GRADE 8 Coarse Thread, Zinc-Plated		
SIZE	TORQUE	
	ft. lbs.	Nm
1/4 - 20 (.250)	9	12
5/16 - 18 (.3125)	18	24
3/8 - 16 (.375)	33	45
7/16 - 14 (.4375)	52	70
1/2 - 13 (.500)	80	108
9/16 - 12 (.5625)	115	156
5/8 - 11 (.625)	159	215
3/4 - 10 (.750)	282	382
7/8 - 9 (.875)	454	615
1 - 8 (1.000)	682	925

SAE GRADE 5 Fine Thread, Zinc-Plated		
SIZE	TORQUE	
	ft. lbs.	Nm
1/4 - 28 (.250)	7	10
5/16 - 24 (.3125)	14	19
3/8 - 24 (.375)	26	35
7/16 - 20 (.4375)	41	56
1/2 - 20 (.500)	64	87
9/16 - 18 (.5625)	91	123
5/8 - 18 (.625)	128	173
3/4 - 16 (.750)	223	302
7/8 - 14 (.875)	355	481
1 - 12 (1.000)	529	717
1 - 14 (1.000)	541	733

SAE GRADE 8 Fine Thread, Zinc-Plated		
SIZE	TORQUE	
	ft. lbs.	Nm
1/4 - 28 (.250)	10	14
5/16 - 24 (.3125)	20	27
3/8 - 24 (.375)	37	50
7/16 - 20 (.4375)	58	79
1/2 - 20 (.500)	90	122
9/16 - 18 (.5625)	129	175
5/8 - 18 (.625)	180	244
3/4 - 16 (.750)	315	427
7/8 - 9 (.875)	501	679
1 - 12 (1.000)	746	1011
1 - 14 (1.000)	764	1036

t-chrt_i.doc

TECHNICAL DATA

Metric Torque Chart

Property Class 8.8

ZINC-PLATED

SIZE	Coarse Thread		Fine Thread	
	Nm	ft. lbs.	Nm	ft. lbs.
M6	9.9	7	NA	NA
M8	24	18	25	18
M10	48	35	49	36
M12	83	61	88	65
M14	132	97	140	103
M16	200	148	210	155
M20	390	288	425	313
M24	675	498	720	531

Property Class 10.9

ZINC-PLATED

SIZE	Coarse Thread		Fine Thread	
	Nm	ft. lbs.	Nm	ft. lbs.
M6	14	10	NA	NA
M8	34	25	35	26
M10	67	49	68	50
M12	117	86	125	92
M14	185	136	192	142
M16	285	210	295	218
M20	550	406	600	443
M24	950	701	1000	738

Property Class 12.9

ZINC-PLATED

SIZE	Coarse Thread		Fine Thread	
	Nm	ft. lbs.	Nm	ft. lbs.
M6	16.5	12	NA	NA
M8	40	30	42	31
M10	81	60	82	60
M12	140	103	150	111
M14	220	162	235	173
M16	340	251	350	258
M20	660	487	720	531
M24	1140	841	1200	885

Conversion Factor: 1 ft. lb. = 1.3558 Nm

HEALTH & SAFETY

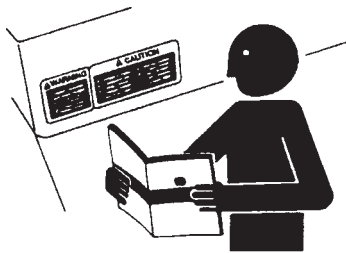
Safety Precautions

Before using this equipment, study this entire manual to become familiar with its operation. Do not allow untrained or unauthorized personnel, especially children, to operate this equipment. Use only factory authorized parts for service.

When warning decals are destroyed or missing, contact the Manufacturer immediately at 1-800-888-9926 for replacement. For the safety of yourself and others, it is imperative that the following rules are observed. Failure to do so may result in serious injury or death.

FOLLOW SAFETY INSTRUCTIONS

Read all safety messages and decals in this manual and on your machine safety signs carefully. Keep decals in good condition. Replace missing or damaged decals. Be sure new equipment components and repair parts include the current safety signs. Replacement safety signs and decals are available through your dealer.



Learn how to operate the machine and how to use controls properly. Do not let anyone operate without instruction.

Keep your machine in proper working condition. Unauthorized modifications to the machine may impair the function and/or safety and affect machine life.

If you do not understand any part of this manual and need assistance, contact your dealer.



This notation appears before warnings in the text. It means that the step which follows must be carried out to avoid the possibility of personal injury or death. These warnings are intended to help the technician avoid any potential hazards encountered in the normal service procedures. We strongly recommend that the reader takes advantage of the information provided to prevent personal injury or injury to others.

▲ DANGER

▲ WARNING

▲ CAUTION

UNDERSTAND SIGNAL WORDS

A signal word – DANGER, WARNING, or CAUTION – is used with the safety-alert symbol. DANGER identifies the most serious hazards.

DANGER or WARNING safety signs are located near specific hazards. General precautions are listed on CAUTION safety signs. CAUTION also calls attention to safety messages in this manual.



USE COMMON SENSE WHEN HANDLING FUELS

- Transport and handle fuel only when contained in approved safety container.
- Do not smoke when refueling or during any other fuel handling operation.
- Do not refuel while the engine is running or while it is still hot.
- If fuel is spilled during refueling, wipe it off of the engine immediately and discard the rag in a safe place.
- Do not operate the equipment if fuel or oil leaks exist - repair immediately.
- Never operate this equipment in an explosive atmosphere.



- Always use the proper size grounded extension cord, conforming to the National Electric Code and Local Ordinances.
- Inspect all extensions and electrical cords for cuts, frayed wire and broken connectors before use. Do not use cords if not in good condition.
- Do not route extension cords through standing water.
- Do not operate the mixer in standing water.
- When cleaning the mixer, never spray water on the electric motor.

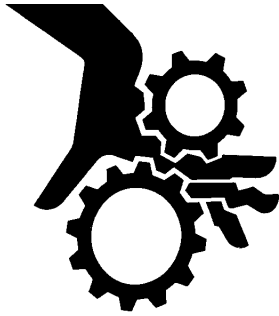


HOT SURFACES

- Avoid contact with hot exhaust systems and engines.
- Allow all components in the engine compartment to cool before performing any service work.

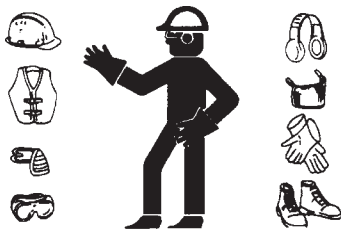
WARNING

- Never leave mixer unattended while running.
- Mix only concrete.



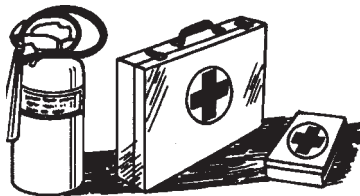
- Never perform any work on the mixer while it is running.
- Before working on the mixer, stop the engine and disconnect the spark plug wire(s) to prevent accidental starting. On electric models, disconnect the electric cord at the mixer.
- Keep cowl closed and latched during the operation, close and latch cowl immediately after starting.
- Keep hands, clothing and jewelry away from all moving parts.
- Keep all guards in place, including drum guards.
- Never place your hands or any solid object into the drum while the mixer is in operation.

WEAR PROTECTIVE CLOTHING



- Wear close fitting clothing and safety equipment appropriate to the job.
- Prolonged exposure to loud noise can cause impairment or loss of hearing.
- Wear a suitable hearing protective device such as earmuffs or earplugs to protect against objectionable or uncomfortable loud noises.
- Operating equipment safely requires the full attention of the operator. Do not wear radio or music headphones while operating machine.

PREPARE FOR EMERGENCIES



- Be prepared if a fire starts.
- Keep a first aid kit and fire extinguisher handy.
- Keep emergency numbers for doctors, ambulance service, hospital, and fire department near your telephone.

HEALTH & SAFETY

Safety Precautions



Warning-Eye Protection

- Always wear splash goggles when operating mixer.



Warning-Towing

- Warning: Do not tow the mixer with the drum in the dump position. Mixer may become unstable and tip over when hitting a curb, pothole, or other obstruction.



- Warning: Always properly attach safety chains before mixer is towed. Maximum towing speed 55 m.p.h. (90 km/hr). Reduce speed according to highway conditions.



- Starting fluid (ether) is highly flammable, do not use or an explosion or fire may result.



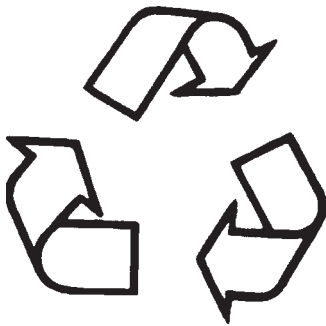
- Never operate unit in a poorly ventilated or enclosed area.
- Avoid prolonged breathing of exhaust gases.
- Engine exhaust fumes can cause sickness or death.

PRACTICE SAFE MAINTENANCE



- Understand service procedure before doing work. Keep area clean and dry.
- Never lubricate, service or adjust machine while it is moving. Keep hands, feet, and clothing from power-driven parts. Disengage all power and operate controls to relieve pressure. Lower equipment to the ground. Stop the engine. Remove the key. Allow machine to cool.
- Securely support any machine elements that must be raised for service work.
- Keep all parts in good condition and properly installed. Repair damage immediately. Replace worn or broken parts. Remove any buildup of grease, oil, or debris.
- Disconnect battery ground cable (-) before making adjustments on electrical systems or welding on machine.

DISPOSE OF WASTE PROPERLY



- Improperly disposing of waste can threaten the environment and ecology. Potentially harmful waste used with equipment include such items as oil, fuel, coolant, brake fluid, filters, and batteries.
- Use leakproof containers when draining fluids. Do not use food or beverage containers that may mislead someone into drinking from them.
- Do not pour waste onto the ground, down a drain, or into any water source.
- Air conditioning refrigerants escaping into the air can damage the Earth's atmosphere. Government regulations may require a certified air conditioning service center to recover and recycle used air conditioning refrigerants.
- Inquire on the proper way to recycle or dispose of waste from your local environmental or recycling center.

SAFETY DECALS - FOR THE SAFETY OF YOURSELF AND OTHERS REPLACE ANY DAMAGED OR MISSING SAFETY DECALS.

- Warning Decal (SN-92) P/N 55011
- Safety Instruction Decal (SN-67A) P/N 55046
- Warning Decal (SN-8) P/N 55127
- Safety Chain Decal (Front Post, SN-66) P/N 55121

OPERATION

125CM

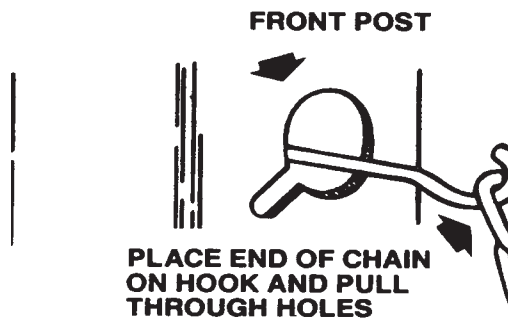
BEFORE STARTING

Mixers are shipped completely assembled and ready for operation except for installation of the safety chain.

SAFETY CHAIN INSTALLATION

Remove the safety chain kit from the engine compartment. The kit includes (1) 12 ft. length of safety chain and (2) connecting links. Pull one end of the chain through the (2) key hole slots located in the front post of the mixer with a hook (see drawing below and decal on mixer front post). Attach the connecting links to each end of the chain. Follow the instructions in the TOWING section of this manual and on the mixer front post to attach the safety chain to the towing vehicle.

INSTALLING CHAIN TO MIXER



OIL LEVELS AND LUBRICATION

Be sure to check the oil levels in the engine and engine reduction unit **BEFORE** starting this unit. The engine warranty is **VOID** if it is run without oil. Consult the **ENGINE MANUAL** supplied with this unit for specific instructions and oil recommendations.

Also check the trunnion bearings to make sure they have been greased.

⚠WARNING

BEFORE WORKING ON MACHINE, MAKE SURE ENGINE SPARK PLUG WIRE IS DISCONNECTED, OR, IF ELECTRIC, THAT THE ELECTRIC CORD IS DISCONNECTED, TO PREVENT ANY ACCIDENTAL STARTING.

HARDWARE

Check all hardware on mixer and engine / motor before starting. Consult the **TORQUE CHART** section of this manual and tighten any loose hardware accordingly.

FUEL

If your mixer is equipped with a gasoline engine, fill the gas tank with clean gasoline from a safety can. Consult the **ENGINE MANUAL** supplied with this unit for the proper type of gasoline required.

DO NOT mix oil with gasoline.

⚠WARNING

FOLLOW THE GUIDELINES FOUND IN THE SAFETY PRECAUTION SECTION OF THIS MANUAL WHENEVER HANDLING GASOLINE.

TO START THE ENGINE/MOTOR

COLD START - Open the fuel valve under the gas tank all the way. Open the throttle approximately half way and apply the choke. Pull the starter rope sharply about (3) times. When the engine starts, open the choke and adjust the throttle as necessary to keep it running. Allow the engine to warm up for a few minutes before placing it under the load. If the engine doesn't start after (3) pulls, open choke slightly to prevent flooding. Always operate the engine at full throttle when under load.

HOT START - Open the valve under the gas tank all the way if it has been shut off. Open the throttle approximately half way. Do not apply the choke. Pull the starter rope sharply until the engine starts. When

OPERATION

125CM

the engine starts, adjust the throttle. Always operate the engine at full throttle when under load. Adjust engine speed so drum is turning between 16 - 20 RPM.

NOTE: These starting instructions are general guidelines only. Since many engine options are available on the manufacturer's CM mixers, consult the ENGINE MANUAL included with this unit for specific instructions.

ELECTRIC MOTORS - Use the proper size (3) wire (grounded) extension cord, conforming to the National Electric Code and Local Ordinances. DO NOT use (2) wire extension cord. Check any extension cord which you plan on using carefully for broken connectors, bare wires and damaged insulation. DO NOT use any cord found to be in poor condition. Make sure the extension cord is not routed through standing water and that all the connections are tight. Use the shortest extension cord possible. Turn motor on.

TO STOP THE ENGINE / MOTOR

GASOLINE ENGINES - Depress grounding switch located on stationary cowl half and hold down until engine stops completely. Consult the ENGINE MANUAL included with this unit for specific instructions. If the mixer is to be left unattended for any length of time, close the fuel valve under the gas tank.

ELECTRIC MOTORS - Turn the motor off. If the mixer is to be left unattended for any length of time, disconnect the power cord.

OPERATION

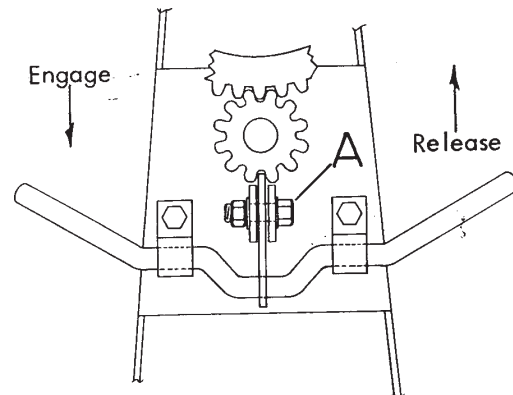
Start the engine / motor as previously instructed and allow gasoline engines to reach operating temperatures. Close the engine cowl. NEVER operate the mixer with cowl open.

With drum operating between 16 - 20 RPM's the mixer is now ready for the addition of the concrete mix. For best results proceed as follows:

1. Pour the required amount of water into drum.

2. Add the required amount of gravel.
3. Add the required amount of cement.
4. Add the required amount of sand. By adding the water and gravel first the drum will be kept clean and a good tumbling action will be maintained when cement and sand will be added.

To discharge concrete, grasp handwheel firmly with one hand and release tilt brake by pushing up on the tilt handle with the other. See diagram below.



To prevent accidental discharge, never release brake without holding the handwheel firmly. Do not attempt to grab the handwheel to stop an accidental discharge, serious injury could result. Always make sure that the brake is fully engaged after discharge of concrete and before reloading the drum.

NOTE: When servicing brake mechanism, bolt A should be tightened so that approximately 17 - 18 pounds of force is required to release the brake. This will prevent accidental discharge due to vibration.

CAPACITIES

	125CM 2 Bag
Total Drum Volume	20 cu. ft.
Max Batch Size*	12 cu. ft.

* Maximum batch size depends on mix and type of aggregate used.

OPERATION

125CM

SAMPLE MIX

Volume relationship of 1:2 - 1/2:3 (cement : sand : gravel) mix. The mix volume may vary depending on aggregate used.

Mix Volume Cu. Ft.	2	3	4	5
Cement (bags)	1/3	1/2	2/3	7/8
Water (gal.)	1-3/4	2-1/2	3-1/2	4-3/4
Sand (gal./shovels)	6	9	12	15
Gravel (gal./shovels)	8	12	16	20

CLEANING

For consistent performance, long life and continued high quality mixing of cement, thoroughly clean the mixer inside and out at the end of each day's operation. Drum may be scoured by 2 minute operation with gravel and water mixture. Discharge, then hose down drum inside and outside. Keep mixer clean.

Before cleaning, shut off the engine or motor and disconnect the spark plug wire or electric cord to prevent accidental starting. Spray the mixer with water before the mix dries to remove any accumulations. Dried mix should be scraped out as necessary. DO NOT beat on drum with shovel, hammer or other device to break up accumulations of dried mix, as this will dent and damage the drum.

⚠️ WARNING

NEVER POUR OR SPRAY WATER ON THE ENGINE OR MOTOR.

NEVER PUT HANDS OR ANY OBJECT INTO THE DRUM WHILE THE ENGINE OR MOTOR IS RUNNING.

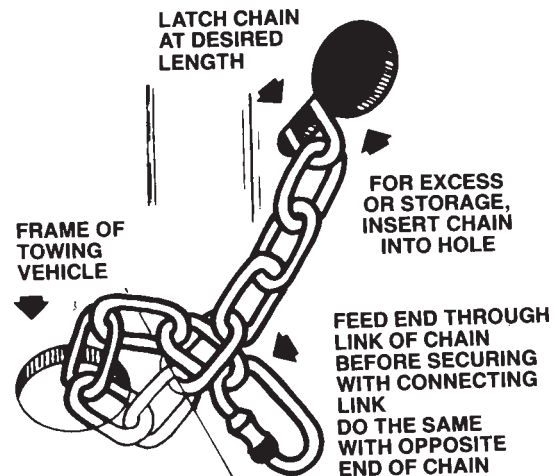
ALWAYS DISCONNECT THE SPARK PLUG WIRE OR ELECTRIC CORD WHEN CLEANING INSIDE DRUM.

TOWING

Before attempting to tow this mixer, check the state and local laws that apply to your intended route and check the following:

1. Hitch attached to the towing vehicle securely.
2. Tow pole fully extended and bolted to mixer securely.
3. Safety chain hooked up properly (see illustration or decal on mixer front post).

INSTALLING CHAIN TO VEHICLE



4. Lug nuts, wheel nuts and axle mount nuts tight.
5. Drum rotated straight down, dump handle lock pin firmly seated into the tilt disc.
6. Tires in good shape and at proper inflation as follows: Tire size 6.50 x 13 @ 35 P.S.I.

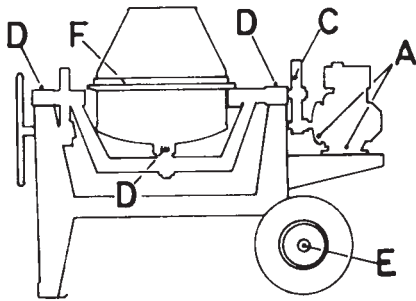
Refer to FRAME AND DRUM ASSEMBLY and AXLE ASSEMBLY section of the Service/Parts Manual for parts identification and location.

⚠️ WARNING

DO NOT EXCEED A TOWING SPEED OF 55 MILES/HR (90 KM/HR). FOR POOR ROAD CONDITIONS OR INCLEMENT WEATHER, REDUCE SPEED ACCORDINGLY.

MAINTENANCE SCHEDULE

125CM



NOTE: Cowl removed for clarity.
Do not operate mixer with cowl removed.

A. ENGINE - Daily check the oil levels in the engine and engine reduction unit. The engine warranty is **VOID** if run without oil. Since there are many options available on this mixer, consult the **ENGINE MANUAL** for specific recommendations as to oil level, oil type required and frequency of oil changes required. For maximum service life from the engine, follow those recommendations.

Lubricate diesel gearbox with SAE30W oil as needed.

Use any Grade #1 lithium base grease for the above applications.

* See Exploded Views in Service/Parts Manual for exact location.

B. * WEEKLY - Grease idler shaft pillow block bearings on electric drive models.

C. WEEKLY - Lubricate chain and sprockets on chain drive models with a few drips of SAE 30 motor oil or any spray chain lube.

D. MONTHLY - Grease trunnions (2) places and drum spindle (2) places.

E. YEARLY - Repack (4) tapered roller bearings in wheel hubs and replace wheel seals. Install washer and nut. Torque to 20 ft. lbs. back off one turn, torque to 7 ft. lbs. back off to first slot in nut and insert cotter key.

F. DO NOT lubricate pinion and ring gear. They will collect abrasive materials and accelerate wear.

Discount Equipment

Discount Equipment Rental is your online resource for commercial and industrial quality equipment sales and rentals. We sell worldwide for the brands Genie, Terex, Stihl, JLG, Multiquip, Mayco, Stone, Diamond Products, Airman, Mustang, Power Blanket. We have complete rental locations throughout Florida.

Locations:

West Palm Beach – [561-964-4949](tel:561-964-4949)

Orlando – [407-291-3162](tel:407-291-3162)

Tampa – [813-248-2848](tel:813-248-2848)

Need parts? Check out our website at www.discount-equipment.com

Can't find what you need? Click on this link:

<http://www.discount-equipment.com/category/5443-parts/> and fill out the request form. Make sure you have your machines model and serial number available in order to help us get you the correct parts. One of our experienced staff members will get back to you with a quote for the right part that your machine needs.