

# OPERATION AND PARTS MANUAL



*Mikasa* SERIES  
**MODEL MVH-206GH**  
**REVERSIBLE PLATE COMPACTOR**  
**(HONDA GX240U1SMX2 ENGINE)**

Revision #0 (06/17/08)



[www.discount-equipment.com](http://www.discount-equipment.com)

THIS MANUAL MUST ACCOMPANY THE EQUIPMENT AT ALL TIMES.

# PARTS FINDER

**Search Website  
by Part Number**



**Search Manual  
Library For Parts  
Manual & Lookup Part  
Numbers – Purchase  
or Request Quote**

**Search Manuals**

Enter your information to help us find the right parts manual for your machine.

\* Brand:

\* Model:

\* Serial:

\* Part Number:

SEARCH

**Can't Find Part or  
Manual? Request Help  
by Manufacturer,  
Model & Description**

**Parts Order Form**

Please fill in the following information to help us find the right part for your machine.

Manufacturer:	<input type="text"/>
Model:	<input type="text"/>
Description:	<input type="text"/>
Part Number:	<input type="text"/>
Quantity:	<input type="text"/>
Notes:	<input type="text"/>

Discount-Equipment.com is your online resource for quality parts & equipment.

Florida: **561-964-4949** Outside Florida TOLL FREE: **877-690-3101**

**Need parts?**

Click on this link: <http://www.discount-equipment.com/category/5443-parts/> and choose one of the options to help get the right parts and equipment you are looking for. Please have the machine model and serial number available in order to help us get you the correct parts. If you don't find the part on the website or on one of the online manuals, please fill out the request form and one of our experienced staff members will get back to you with a quote for the right part that your machine needs.

We sell worldwide for the brands: Genie, Terex, JLG, MultiQuip, Mikasa, Essick, Whiteman, Mayco, Toro Stone, Diamond Products, Generac Magnum, Airman, Haulotte, Barreto, Power Blanket, Nifty Lift, Atlas Copco, Chicago Pneumatic, Allmand, Miller Curber, Skyjack, Lull, Skytrak, Tsurumi, Husquvarna Target, Stow, Wacker, Sakai, Mi-T-M, Sullair, Basic, Dynapac, MBW, Weber, Bartell, Bennar Newman, Haulotte, Ditch Runner, Menegotti, Morrison, Contec, Buddy, Crown, Edco, Wyco, Bomag, Laymor, EZ Trench, Bil-Jax, F.S. Curtis, Gehl Pavers, Heli, Honda, ICS/PowerGrit, IHI, Partner, Imer, Clipper, MMD, Koshin, Rice, CH&E, General Equipment, Amida, Coleman, NAC, Gradall, Square Shooter, Kent, Stanley, Tamco, Toku, Hatz, Kohler, Robin, Wisconsin, Northrock, Oztec, Toker TK, Rol-Air, APT, Wylie, Ingersoll Rand / Doosan, Innovatech, Con X, Ammann, Mecalac, Makinex, Smith Surface Prep, Small Line, Wanco, Yanmar

## PROPOSITION 65 WARNING

---



### **CALIFORNIA — Proposition 65 Warning**

Engine exhaust and some of its constituents are known to the State of California to cause cancer, birth defects and other reproductive harm.

Go to Discount-Equipment.com to order your parts

# TABLE OF CONTENTS

## MVH-206GH REVERSIBLE PLATE COMPACTOR

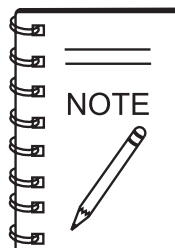
Proposition 65 Warning .....	2
Table of Contents .....	4
Parts Ordering Procedures .....	5
Safety .....	6-7
Rules and Regulations .....	8-10
Specifications .....	11
Dimensions .....	12
General Information .....	13
Controls and Components .....	14
Basic Engine .....	15
Inspection .....	16-17
Operation .....	18-21
Maintenance .....	22-26
Troubleshooting .....	27-29
Explanation of Codes in Remarks Column .....	30
Suggested Spare Parts .....	31

## COMPONENT DRAWINGS

Vibrating Plate Assy .....	34-35
Base and Engine Assy .....	36-39
Vibrator Assy .....	40-41
Control .....	42-45

## HONDA GX240U1SMX2 DRAWINGS

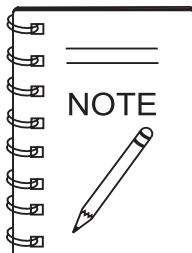
Air Cleaner Assy .....	46-47
Camshaft Assy .....	48-49
Carburetor Assy .....	50-51
Control Assy .....	52-53
Cylinder Barrel Assy .....	54-55
Cylinder Head Assy .....	56-57
Crankcase Cover Assy .....	58-59
Crankshaft Assy .....	60-61
Fan Cover Assy .....	62-63
Flywheel Assy .....	64-65
Fuel Tank Assy .....	66-67
Ignition Coil Assy .....	68-69
Muffler Assy .....	70-71
Piston Assy .....	72-73
Recoil Starter Assy .....	74-75
Label /Tool Assy .....	76-77
Terms and Conditions Of Sale — Parts .....	78



*Specification and part number are  
subject to change without notice.*

## FOR YOUR SAFETY AND SAFETY OF OTHERS!

Safety precautions should be followed at all times when operating this equipment. Failure to read and understand the Safety Messages and Operating Instructions could result in injury to yourself and others.



This manual has been developed to provide complete instructions for the safe and efficient operation of this equipment. Refer to the engine manufacturer's instructions for data relative to its safe operation.

Before using this equipment ensure that the operating individual has read and understood all instructions in this manual.

## SAFETY MESSAGE ALERT SYMBOLS

The three Safety Messages shown below will inform you about potential hazards that could injure you or others. The Safety Messages specifically address the level of exposure to the operator, and are preceded by one of three words: **DANGER**, **WARNING**, or **CAUTION**.

**⚠ DANGER**

You **WILL** be **KILLED** or **SERIOUSLY INJURED** if you **DO NOT** follow these directions.

**⚠ WARNING**

You **CAN** be **KILLED** or **SERIOUSLY INJURED** if you **DO NOT** follow these directions.


**⚠ CAUTION**

You **CAN** be **INJURED** if you **DO NOT** follow these directions.

## HAZARD SYMBOLS


Potential hazards associated with the operation of this equipment will be referenced with Hazard Symbols which appear throughout this manual, and will be referenced in conjunction with Safety Message Alert Symbols.

**⚠ WARNING — Lethal Exhaust Gas Hazards**



Engine fuel exhaust gases contain poisonous carbon monoxide. This gas is colorless and odorless, and can cause death if inhaled. **NEVER** operate this equipment in a confined area or enclosed structure that does not provide ample free flow air.


**⚠ WARNING — Explosive Fuel Hazards**



Fuel is extremely flammable and its vapors can cause an explosion if ignited. **DO NOT** start the engine near spilled fuel or combustible fluids.


**DO NOT** fill the fuel tank while the engine is running or hot. **DO NOT** overfill tank, since spilled fuel could ignite if it comes into contact with hot engine parts or sparks from the ignition system. Store fuel in approved containers, in well-ventilated areas and away from sparks and flames.

**⚠ WARNING — Burn Hazards**



Engine components can generate extreme heat. To prevent burns, **DO NOT** touch these areas while the engine is running or immediately after operation. Never operate the engine with heat shields or heat guards removed.

**⚠ WARNING — Respiratory Hazards**



**ALWAYS** wear approved respiratory protection when required.

## **CAUTION — Rotating Parts Hazards**



**NEVER** operate equipment with covers or guards removed. Keep fingers, hands, hair and clothing away from all moving parts to prevent injury.

## **CAUTION — Overspeed Conditions**



**NEVER** tamper with the factory setting of the engine governor. Personal injury and equipment damage can result if operating in speed ranges above the maximum allowable.

## **CAUTION — Accidental Starting Hazards**



**ALWAYS** place the equipment ON/OFF switch in the OFF position when the equipment is not in use.

## **CAUTION — Equipment Damage Hazards**

Other important messages are provided throughout this manual to help prevent damage to your equipment, other property, or the surrounding environment.

## **CAUTION — Eye and Hearing Hazards**



**ALWAYS** wear approved eye and hearing protection when required.

# RULES AND REGULATIONS

## **WARNING — Read This Manual**

Failure to follow instructions in this manual may lead to serious injury or even **DEATH!** This equipment is to be operated by trained and qualified personnel only! This equipment is for industrial use only.

### GENERAL SAFETY

- **DO NOT** operate or service this equipment before reading this entire manual.



- This equipment should not be operated by persons under 18 years of age.

- **NEVER** operate this equipment without proper protective clothing, shatterproof glasses, steel-toed boots and other protective devices required by the job.



- **NEVER** operate this equipment when not feeling well due to fatigue, illness or when under medication.



- **NEVER** operate this equipment under the influence of drugs or alcohol.



- **NEVER** disconnect any "**emergency or safety devices**". These devices are intended for operator safety. Disconnection of these devices can cause severe injury, bodily harm or even death! Disconnection of any of these devices will void all warranties.

- **NEVER** use accessories or attachments that are not recommended by Multiquip for this equipment. Damage to the equipment and/or injury to user may result.

- Manufacturer does not assume responsibility for any accident due to equipment modifications. Unauthorized equipment modification will void all warranties.

- Whenever necessary, replace nameplate, operation and safety decals when they become difficult read.

- **ALWAYS** check the equipment for loosened threads or bolts before starting.

- **NEVER** touch the hot exhaust manifold, muffler or cylinder. Allow these parts to cool before servicing engine or pump.



- **ALWAYS** allow the engine to cool before adding fuel or performing service and maintenance functions. Contact with *hot* components can cause serious burns.

- **NEVER** operate this equipment in any enclosed or narrow area where free flow of the air is restricted. The engine of this equipment requires an adequate free flow of cooling air. If the air flow is restricted it will cause serious damage to the equipment or engine and may cause injury to people and property. Remember the engine gives off **DEADLY** gases.



- **ALWAYS** refuel in a well-ventilated area, away from sparks and open flames.

- **ALWAYS** use extreme caution when working with **flammable** liquids. When refueling, **stop** the engine and allow it to cool.

- **DO NOT** smoke around or near the equipment. Fire or explosion could result from fuel vapors, or if fuel is spilled on a hot engine.



- **NEVER** operate the equipment in an explosive atmosphere or near combustible materials. An explosion or fire could result causing severe **bodily harm or even death**.



- **DO NOT** top-off fuel tank. Topping-off is dangerous as it causes fuel to spill.

- **ALWAYS** store the equipment in a clean, dry location out of the reach of children.

- **NEVER** run engine without air cleaner. Severe engine damage may occur.

- **NEVER** leave the equipment unattended with the engine running. Turn off engine when unattended.

- **CAUTION** must always be observed while servicing this equipment. Rotating parts can cause injury if contacted.



# RULES AND REGULATIONS

## LOADING AND UNLOADING

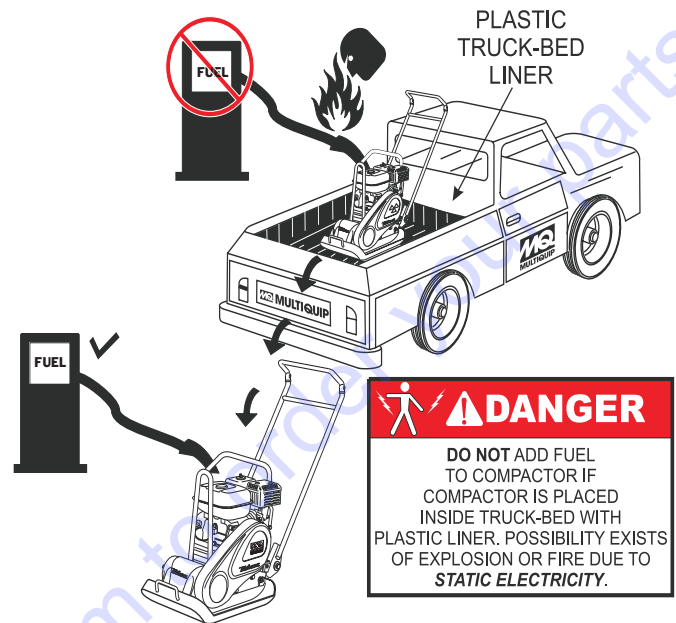
- Before lifting, make sure that equipment parts (hook and vibration insulator) are not damaged and screws are not loosened or lost.
- **ALWAYS** make sure crane or lifting device has been properly secured to the lifting bail (hook) of the equipment.
- **NEVER** lift the equipment while the engine is running.
- Use adequate lifting cable (wire or rope) of sufficient strength.
- Use one point suspension hook and lift straight upwards.
- **NEVER** allow any person or animal to stand underneath the equipment while lifting.
- **DO NOT** lift machine to unnecessary heights.

## TRANSPORTING



- **ALWAYS** shutdown engine before transporting.
- Tighten fuel tank cap securely and close fuel cock to prevent fuel from spilling.
- **ALWAYS** tie down the equipment during transport by securing the equipment with rope.

## REFUELING



## MAINTENANCE SAFETY

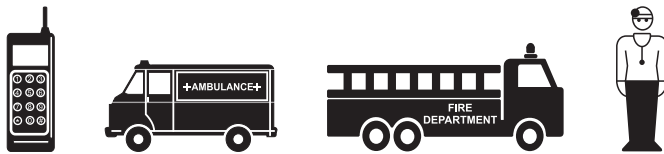
- **NEVER** lubricate components or attempt service on a running machine.
- **ALWAYS** allow the machine a proper amount of time to cool before servicing.
- Keep the equipment in proper running condition.
- Fix damage to the equipment immediately and always replace broken parts.
- Dispose of hazardous waste properly. Examples of potentially hazardous waste are used motor oil, fuel and fuel filters.
- **DO NOT** use food or plastic containers to dispose of hazardous waste.
- **DO NOT** pour waste, oil or fuel directly onto the ground, down a drain or into any water source.



# RULES AND REGULATIONS

## EMERGENCIES

- **ALWAYS** know the location of the nearest *fire extinguisher*.
- **ALWAYS** know the location of the nearest *first aid kit*.
- In emergencies, *always* know the location of the nearest phone or **keep a phone on the job site**. Also know the phone numbers of the nearest **ambulance, doctor** and **fire department**. This information will be invaluable in case of emergency.



## BATTERY SAFETY (FOR ELECTRIC START)

- The battery contains acids that can cause injury to the eyes and skin. **ALWAYS** wear safety glasses to avoid eye irritation.
- **ALWAYS** wear well-insulated gloves when picking up the battery.
- **ALWAYS** keep the battery charged. If the battery is not charged, a buildup of combustible gas will occur.
- **DO NOT** charge battery if frozen. Battery can explode. When frozen, warm the battery to at least 61° F (16° C).
- **ALWAYS** make sure battery terminals are properly connected. Inadequate battery connections may cause poor starting of the equipment and create other malfunctions.
- **ALWAYS** keep battery cables in good working condition. Repair or replace all worn cables.
- **ALWAYS** recharge the battery in a vented air environment, to avoid risk of a dangerous concentration of combustible gases.
- **ALWAYS** disconnect the negative battery terminal before performing service on the equipment.
- If the battery liquid (dilute sulfuric acid) comes in contact with clothing or skin, rinse skin or clothing immediately with plenty of water.
- If the battery liquid (dilute sulfuric acid) comes in contact with your EYES, rinse eyes immediately with plenty of water and contact the nearest doctor or hospital to seek medical attention.



### **DANGER — Explosion Hazards**

The risk of an explosion exists when performing service on the battery. To avoid **severe injury** or **DEATH**:



**DO NOT** drop the battery. There is the possibility of risk that the battery may explode.

**DO NOT** expose the battery to open flames, sparks, cigarettes, etc. The battery contains combustible gases and liquids. If these gases and liquids come in contact with a flame or spark, an explosion could occur.

## SPECIFICATIONS

**Table 1. MVH-206GH Specifications**

Centrifugal Force	7,870 lbf (35 kN)
Vibration Frequency	5,200 vpm (86.7 Hz)
Traveling Speed	0 to 75 ft/min (0 to 23 m/min)
Plate Size (L x W)	28.4 x 19.7 in (720 x 500 mm)
Max. Area of Compaction	7,380 sq. ft./h (690 sq. meters/h)
Operating Weight	459 lbs. ( 208 kg)
Vibrating Oil Capacity	0.63 quart (0.6 liter)

**Table 2. Engine Specifications**

<b>Model</b>	<b>HONDA GX240U1SMX2</b>
Type	Air-cooled, 4-cycle Gasoline Engine
Bore X Stroke	2.87 in. X 2.28 in. (73 mm x 58 mm.)
Displacement	14.8 cu. in. (242 cc)
Max Power Output	7.1 HP (5.3 KW) @ 3600 R.P.M.
Fuel Tank Capacity	5.6 quarts (5.3 liters)
Fuel	Unleaded Automobile Gasoline
Operating Speed	3,200 rpm
Lube Oil Capacity	1.2 quarts (1.1 liters)
Speed Control Method	Centrifugal Fly-weight Type
Starting Method	Recoil Start

## DIMENSIONS

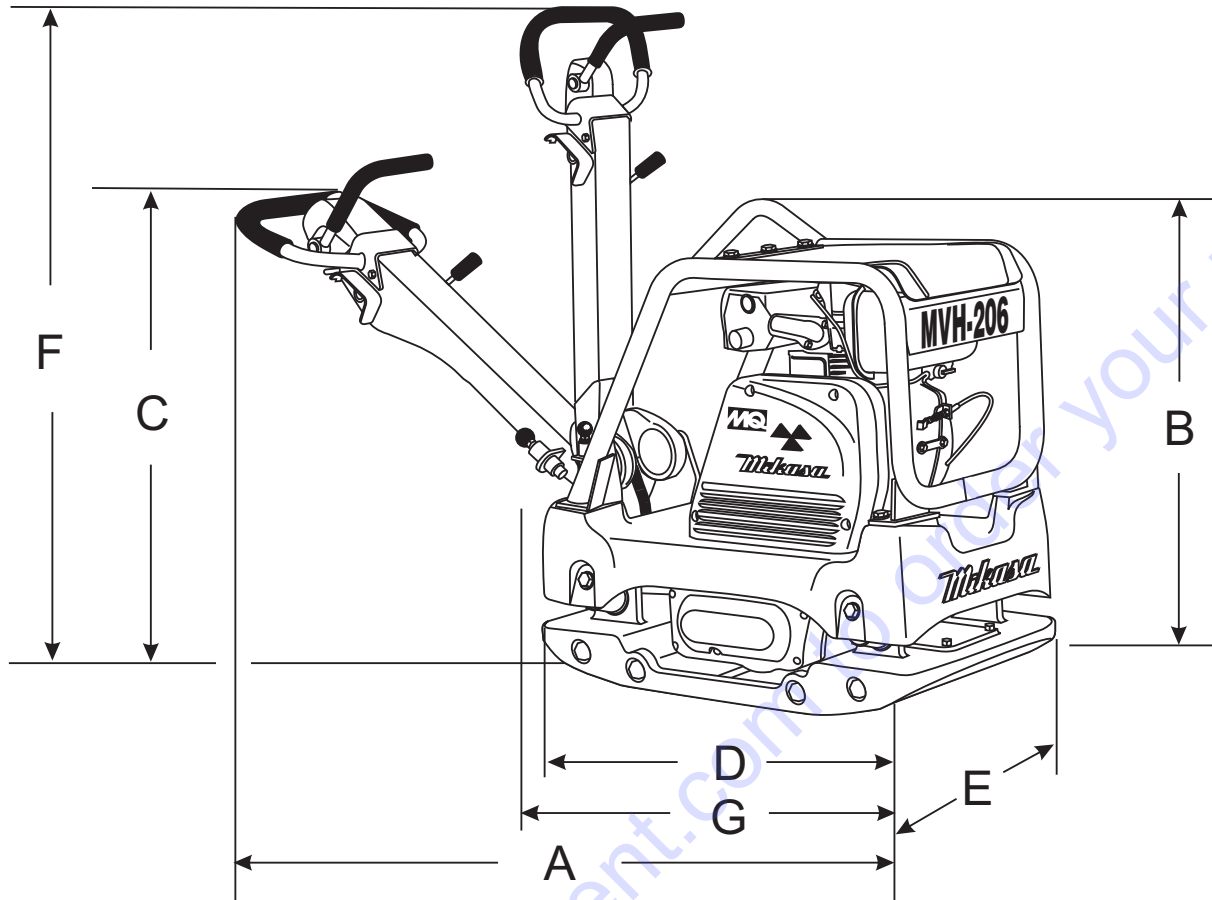


Figure 1. MVH206GH Dimensions

Table 3. Dimensions		
Reference	Description	Measurement
A	Length (Handle in Working Position)	54.3 in (1,380 mm)
B	Height of Main Body	30 in (763 mm)
C	Height (Handle in Working Position)	34 in (1,100mm)
D	Lenght of Plate	28.4 in (720 mm)
E	Width of Plate	19.7 in (500 mm)
F	Height (Handle in Vertical Position)	51.6 in (1,310 mm)
G	Length (Handle in Vertical Position)	31.5 in (800 mm)

## GENERAL INFORMATION

---

### PLATE COMPACTOR

The Mikasa MVH-206GH is a walk behind, reversible plate compactor designed for the compaction of sand, clay and asphalt. This plate compactor is a powerful compacting tool capable of applying a tremendous force in consecutive high frequency vibrations to a soil surface. Its applications include soil compacting for road, embankments and reservoirs as well as backfilling for gas pipelines, water pipelines and cable installation work.

### VIBRATORY PLATES

The vibratory plates of the MVH-206GH produce low amplitude high frequency vibrations, designed to compact granular soils.

The resulting vibrations cause forward motion. The engine and handle are vibration isolated from the vibrating plate. The heavier the plate, the more compaction force it generates.

### REVERSIBLE VIBRATORY PLATES

Reversible vibratory plates have two eccentric weights that allow a smooth transition for forward and reverse travel, plus increased compaction force as the result of dual weights.

Due to their weight and force, reversible plates are ideal for semi-cohesive soils.

### FREQUENCY/SPEED

The compactor's vibrating plate maximum frequency is 5200 vpm (vibrations per minute). The forward and reverse travel speed of the compactor is approximately 75 feet/minute (23 meters/minute).

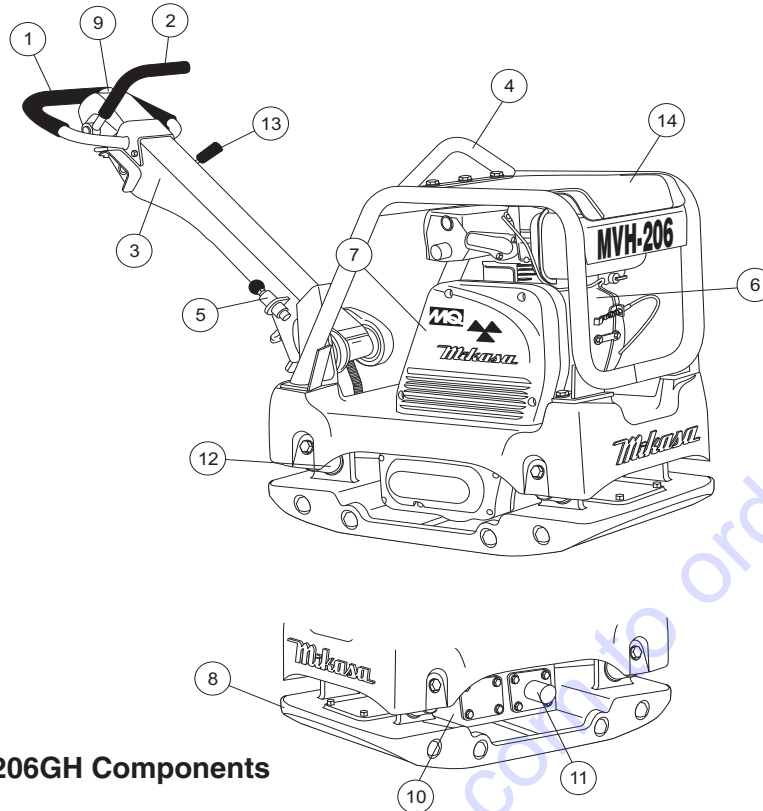
### ENGINE

The Mikasa MVH-206GH Plate Compactor is equipped with a GX240U1SMX2 (recoil start) gasoline engine.

### CONTROLS

Before starting the MVH-206GH Plate Compactor, identify and understand the function of the controls and components.

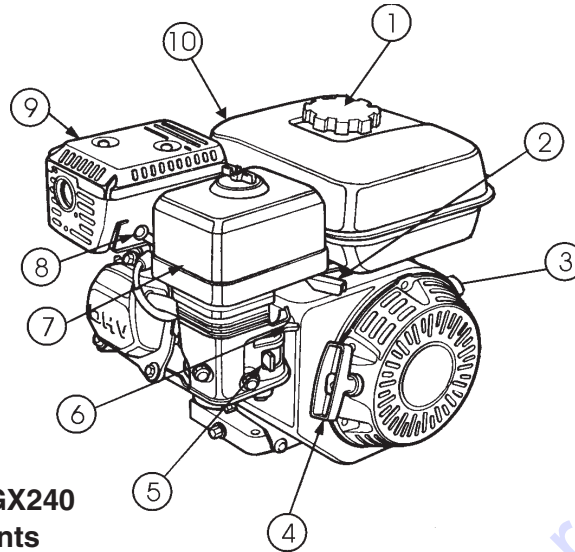
# CONTROLS AND COMPONENTS



**Figure 2. MVH206GH Components**

Figure 2 illustrates the location of the major components for the MVH-206GH Reversible Plate Compactor. The function of each component is described below:

1. **Hand Grip** – When operating the compactor use this hand grip to maneuver the compactor.
2. **Forward and Reverse Lever** – **Push** the lever forward, the compactor will move in a forward direction. **Pull** the lever backwards, the compactor will move in reverse direction. Placing the lever in the middle (midway) will cause the compactor not to move (neutral).
3. **Handle Bar** – When operating the compactor, this handle should be in the downward position. When the compactor is to be **stored**, move the handle bar to the upright position.
4. **Guard Hook** - Used to lift the machine with a crane or other lifting device.
5. **Stopper** - Locks the handle in place in the upward position for stowing.
6. **Engine** – This plate compactor uses a **Honda GX240U1SMX2** gasoline engine. Refer to the engine owner's manual for engine information.
7. **Belt Cover** – Remove this cover to gain access to the V-belts. **NEVER** run the compactor without the V-belt cover. If the V-belt cover is not installed, the possibility exists of your hand getting caught between the V-belt and clutch, thus causing serious injury and bodily harm.
8. **Base Plate** – Designed to compact sand, clay, and asphalt.
9. **Oil Reservoir** – Fill with Shell Tellus Oil 46 or equivalent grade hydraulic oil.
10. **Vibration Case** – Encloses the eccentric, gears and counter weights.
11. **Hydraulic Cylinder** – Activated by moving the travel lever. The cylinder controls the direction of movement by the plate compactor.
12. **Shock Absorber** – Protects plate compactor from damage by absorbing vibration during operation.
13. **Throttle Lever** – Controls speed of the plate compactor. Place straight vertically to start, **push** fully counterclockwise for full throttle and fully clockwise to stop plate compactor.
14. **Rubber Cover** – Lift this rubber cover to gain access to the fuel tank.



**Figure 3. Honda GX240 Engine Components**

The engine (Figure 3) must be checked for proper lubrication and filled with fuel prior to operation. Refer to the manufacturer's engine manual for instructions & details of operation and servicing. The engine shown above is a **HONDA** engine, operation for other types of engines may vary somewhat.

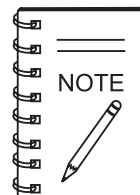
1. **Fuel Filler Cap** – Remove this cap to add unleaded gasoline to the fuel tank. Make sure cap is tightened securely. **DO NOT** over fill.

6. **Choke Lever** – Used in the starting of a cold engine, or in cold weather conditions. The choke enriches the fuel mixture.
7. **Air Cleaner** – Prevents dirt and other debris from entering the fuel system. Remove wing-nut on top of air filter canister to gain access to filter element.
8. **Spark Plug** – Provides spark to the ignition system. Set spark plug gap to 0.024 - 0.028 inch (0.6 - 0.7 mm). Clean spark plug once a week.

## DANGER — Fuel Hazard



Adding fuel to the tank should be done only when the engine is stopped and has had an opportunity to cool down. In the event of a fuel spill, **DO NOT** attempt to start the engine until the fuel residue has been completely wiped up and the area surrounding the engine is dry.



Operating the engine without an air filter, with a damaged air filter, or a filter in need of replacement will allow dirt to enter the engine, causing rapid engine wear.

2. **Throttle Lever** – Used to adjust engine RPM speed (lever advanced forward-**SLOW**, lever back toward operator-**FAST**).
3. **Engine ON/OFF Switch** – ON position permits engine starting, OFF position stops engine operation.
4. **Recoil Starter (pull rope)** – Manual-starting method. Pull the starter grip until resistance is felt, then pull briskly and smoothly.
5. **Fuel Valve Lever** – **OPEN** to let fuel flow, **CLOSE** to stop the flow of fuel.

9. **Muffler** – Used to reduce noise and emissions.

## WARNING — Hot Components



Engine components can generate extreme heat. To prevent burns, **DO NOT** touch these areas while the engine is running or immediately after operating. **NEVER** operate the engine with the muffler removed.

10. **Fuel Tank** – Holds unleaded gasoline. For additional information refer to engine owner's manual.



## ⚠ CAUTION — Eye and Hearing Hazards




**ALWAYS** wear approved eye and hearing protection when required.

## ⚠ WARNING — Lethal Gas Exhaust Hazard



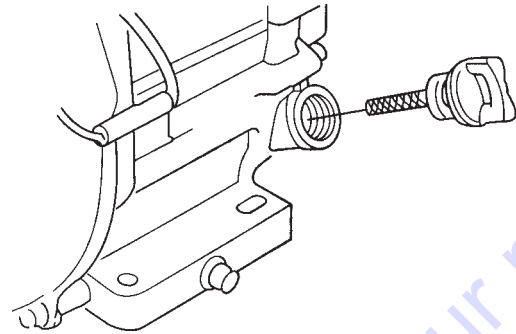
**NEVER** operate the compactor in a confined area or enclosed area structure that does not provide ample *free flow of air*.

### Before Starting

1. Read safety instructions at the beginning of manual.
2. Familiarize yourself with the operating and control elements of the machine and the working environment. This includes obstacles in the working area, bearing capacity of the ground and the necessary safety provisions. 
3. Check the air filter for dirt and dust. If air filter is dirty, replace air filter with a new one as required.
4. Check fastening nuts and bolts for tightness. Loose threads may cause damage to the machine when vibrating.
5. Understand the geographical features and regulations of the job site.
6. Clean the compactor, removing dirt and dust. Particularly, the bottom of the plate, engine cooling air inlet.

### Checking Engine Oil Level

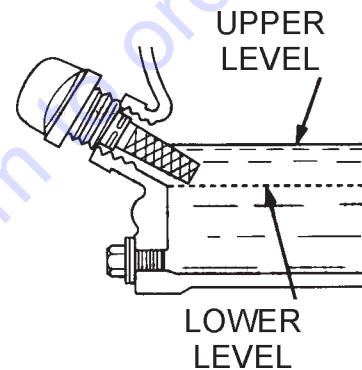
1. To check the engine oil level, place the compactor on secure level ground with the engine stopped.
2. Remove the dipstick from the engine oil filler hole (Figure 4) and wipe it clean.
3. Insert and remove the dipstick without screwing it into the filler neck. Check the oil level shown on the dipstick.
4. If the oil level is low (Figure 5), fill to the edge of the oil filler hole with the recommended oil type (Table 4).



**Figure 4. Engine Oil Dipstick Removal**

Maximum oil capacity is 1.2 quarts (1.10 liters).

### Checking the Hydraulic Oil Level



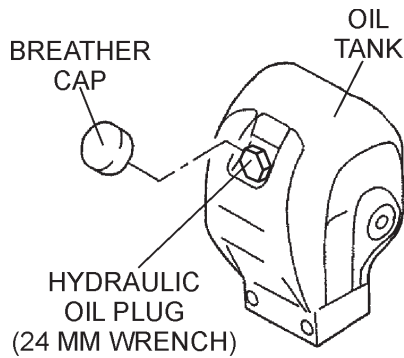
**Figure 5. Engine Oil Level**

**Table 4. Oil Type**

Season	Temperature	Oil Type
Summer	25°C or Higher	SAE 10W-30
Spring/Fall	25°C~10°C	SAE 10W-30/20
Winter	0°C or Lower	SAE 10W-10

1. To check the engine oil level, place the compactor on secure level ground with the engine stopped.
2. Remove the hydraulic oil breather cap located at the top of the hydraulic oil tank (Figure 6).
3. Using a 24 mm wrench, remove the hydraulic oil filler plug.





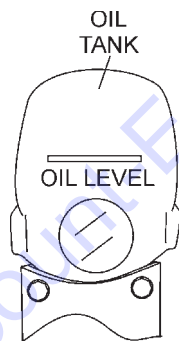
**Figure 6. Hydraulic Oil Filler Plug Removal**

4. Visually inspect to determine if hydraulic oil level is low. If oil level is low add Shell Tellus 46 hydraulic oil or equivalent through the hand pump oil filler port.

**CAUTION — Oil Leaks**

**DO NOT** overfill hydraulic oil tank. This could cause oil leaks and sluggish operation. Clean cap and surrounding area before opening to prevent dirt from entering oil tank.

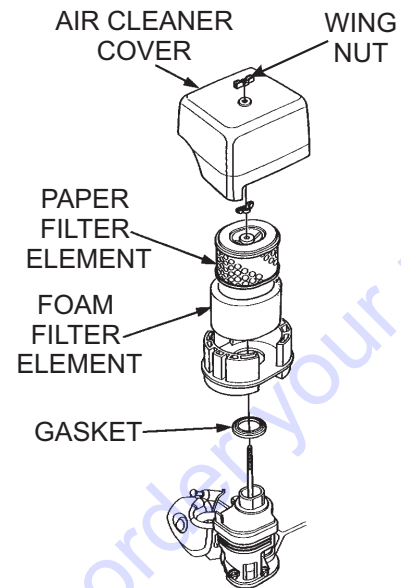
5. When adding hydraulic oil, only fill to the specified oil level as marked on the front of the hydraulic oil tank (Figure 7). **DO NOT** overfill.



**Figure 7. Oil Tank (Front View)**

**Checking the Air Cleaner**

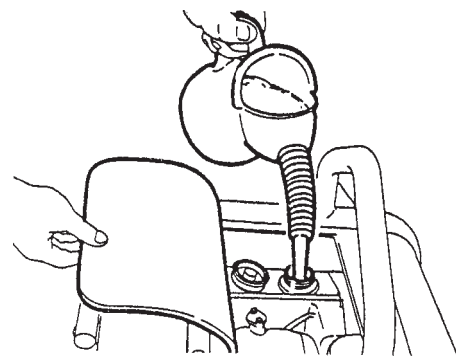
1. Loosen the wing nut and remove the air cleaner cover as shown in Figure 8.
2. Remove the paper filter element and inspect it for signs of wear or dirt. If paper filter element is dirty, clean or replace element.



**Figure 8. Air Cleaner Element**

**Checking The Fuel**

1. Remove the fuel cap located on top of fuel tank.
2. Visually inspect to see if fuel level is low. If fuel is low, replenish with unleaded gasoline. (Figure 9).
3. When refueling, be sure to use a strainer for filtration. **DO NOT** top-off fuel. Wipe up any spilled fuel.



**Figure 9. Refueling**

**DANGER — Fuel Hazard**



Adding fuel to the tank should be done only when the engine is stopped and has had an opportunity to cool down. In the event of a fuel spill, **DO NOT** attempt to start the engine until the fuel residue has been completely wiped up and the area surrounding the engine is dry.

## RELEASING THE HANDLE

1. Pull the handle release pin, (Figure 10) then push down on the hand grip to release the handle.

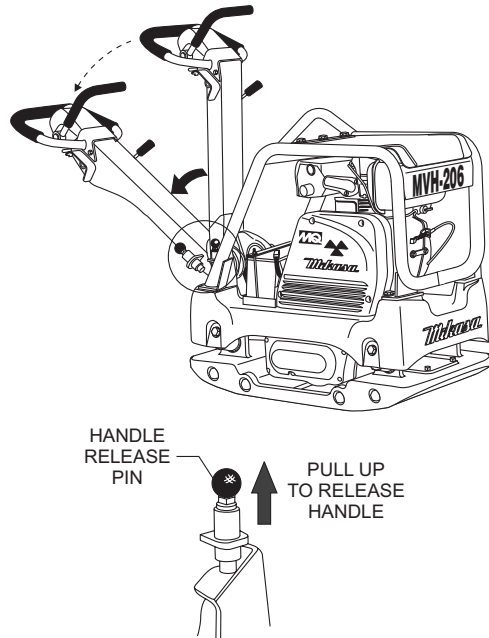


Figure 10. Handle Release Pin

## ADJUSTING HANDLE HEIGHT

The height of the handle is adjustable for your comfort.

1. Loosen the butterfly screw (Figure 11).

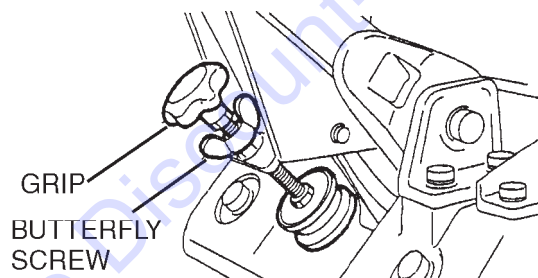


Figure 11. Handle Adjustment

2. Turn the grip clockwise to raise the handle or counterclockwise to lower the handle.
3. When the handle is raised to the desired height, tighten the butterfly screw.

## STARTING THE ENGINE

1. Place the engine *fuel valve lever* (Figure 12) to the "ON" position.

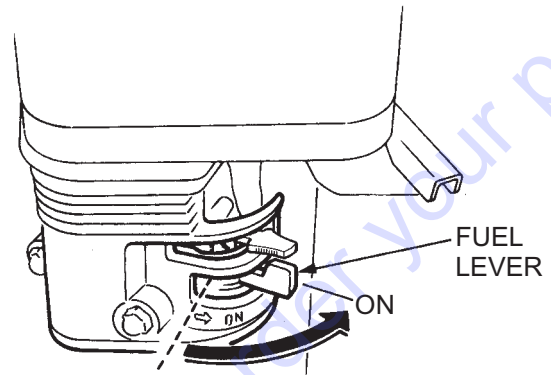


Figure 12. Engine Fuel Valve Lever (ON)

2. Move the throttle lever to the **START** position (Figure 13).

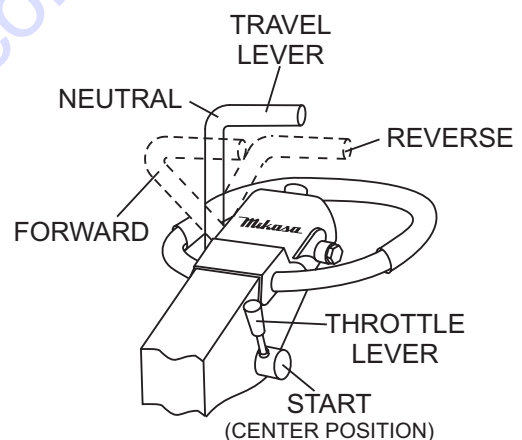


Figure 13. Throttle Lever (START)

## OPERATION

- Place the **choke lever** (Figure 14) in the "**OPEN**" position if starting a **cold** engine.

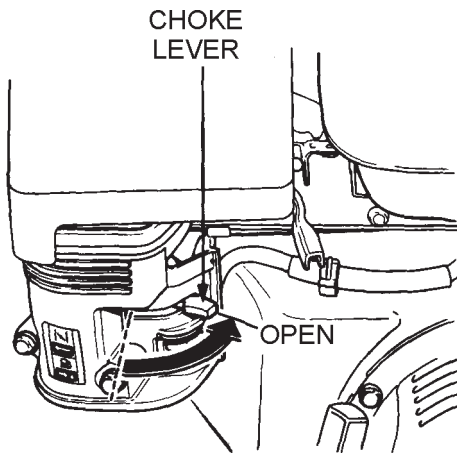


Figure 14. Engine Choke Lever (Open)

- Place the **choke lever** (Figure 15) in the "**CLOSED**" position if starting a **warm engine** or the **temperature is warm**.

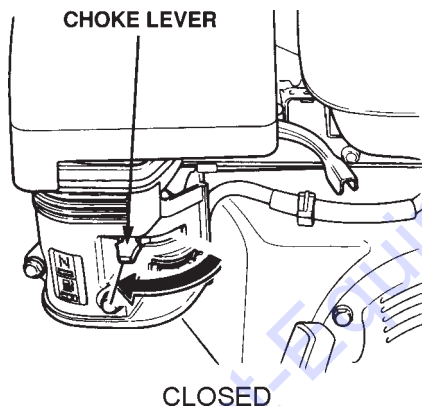


Figure 15. Engine Choke Lever (Closed)

- Place the **engine ON/OFF switch** (Figure 16) in the "**ON**" position.

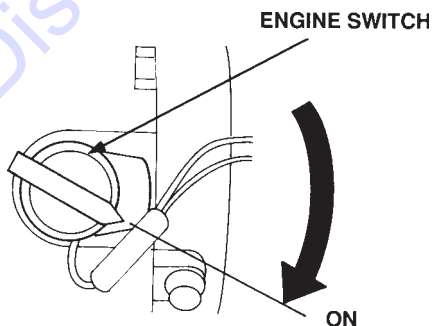


Figure 16. Engine ON/OFF Switch (ON)

- Grasp the starter grip (Figure 17) and slowly pull it out. The resistance becomes the hardest at a certain position, corresponding to the compression point. Pull the starter grip briskly and smoothly for starting.

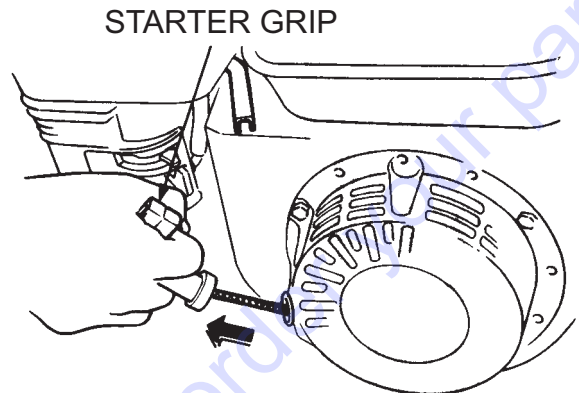


Figure 17. Starter Grip

- If the engine has started, slowly return the choke lever (Figure 15) to the **CLOSED** position. If the engine has not started repeat steps 1 through 6.
- Before the compactor is placed into operation, run the engine for several minutes. Check for fuel leaks, and noises that would be associated with a loose component.

### TRAVELING

- Grasp the compactor's hand grip (Figure 18), and move the engine throttle lever quickly to the **fast** position.

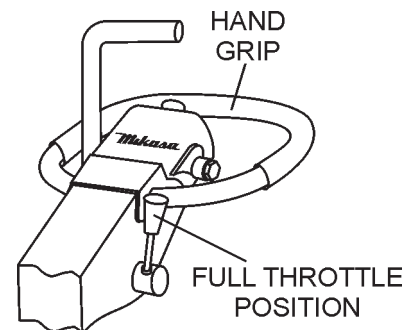


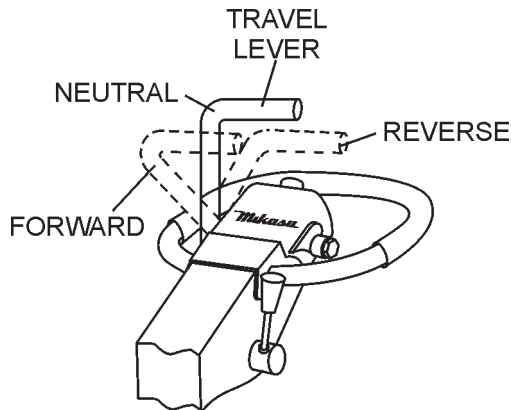
Figure 18. Throttle Lever (FAST)

- With the throttle lever in the fast position, the engine speed should be around 3,600 RPM, therefore engaging the centrifugal clutch.



**ALWAYS** move the throttle lever quickly without hesitation, because increasing the engine speed slowly causes the clutch to slip.

3. To make the compactor move in the forward direction push the travel lever ( Figure 19) forward.

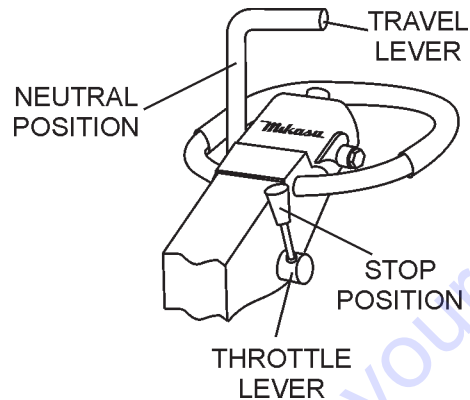


**Figure 19. Travel Lever**

4. To make the compactor move in the reverse direction pull the travel lever ( Figure 19) backwards.
5. Firmly grasp the compactor's hand grip, the compactor will begin moving in the desired position when the direction lever has been placed in the desired position.
6. Slowly walk behind the compactor and be on the lookout for any large objects or foreign matter that might cause damage to the compactor or bodily injury.
7. If travel lever is placed in the neutral position, the machine will vibrate in place.
8. To move the compactor laterally, hold the hand grip firmly and swing compactor. **DO NOT** swing compactor while gripping the travel lever.

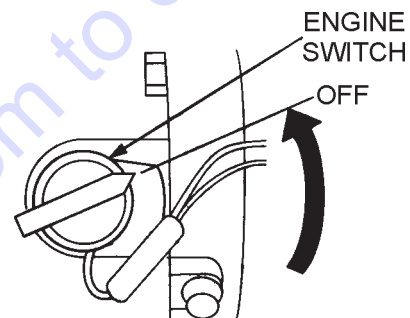
## NORMAL SHUTDOWN

1. Return the throttle lever to the **START** position (Figure 13). Allow the machine to cool down for 2 to 3 minutes.
2. Place the travel lever in the **NEUTRAL** position.
3. Place the throttle lever in the **STOP** position (Figure 20) to stop the engine.



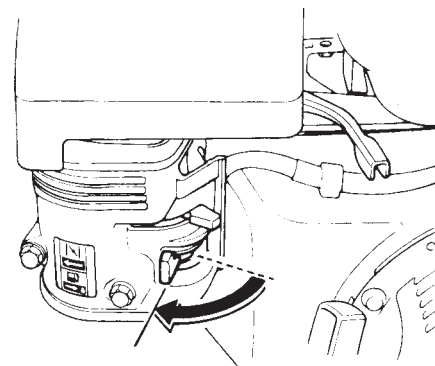
**Figure 20. Travel Lever (STOP)**

4. Turn the engine ON/OFF switch to the "OFF" position (Figure 21).



**Figure 21. Engine ON/OFF Switch (OFF)**

5. Place the **fuel shut-off lever** (Figure 22) in the **OFF** position.



**Figure 22. Fuel Valve Lever (OFF)**

## EMERGENCY SHUTDOWN

1. For a recoil start type engine, move the throttle lever quickly to the **STOP** position.

## STOWING THE HANDLE

1. Push up the handle upward (Figure 23) until the handle locks in place.

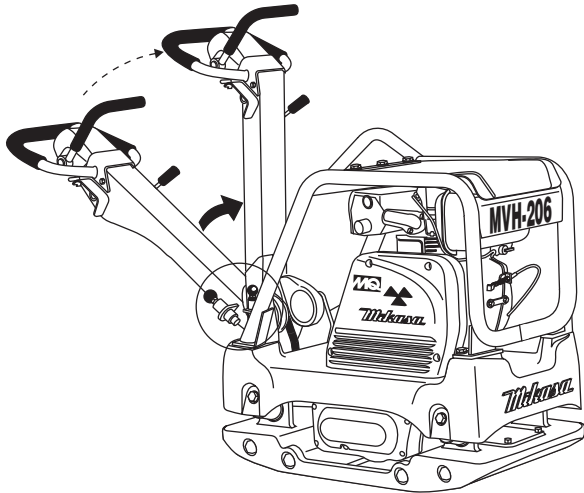


Figure 23. Stowing the Handle

## **⚠ CAUTION — Inspection Requirements**

Inspection and other services should **always** be carried out on hard and level ground with the engine shutdown.

## INSPECTION

To make sure your compactor is always in good working condition, perform maintenance inspection in accordance with Tables 5 through 7 before use.

**Table 5. MVH-206GH Inspection**

ITEM	HOURS OF OPERATION
Loose or Missing Screws	Every 8 hours (every day)
Damaged Parts	Every 8 hours (every day)
Function of Controlling System Part	Every 8 hours (every day)
Hydraulic System Leak	Every 100 hours
Vibrator Oil Check	Every 100 hours
Vibrator Oil Replacement	Every 300 hours
Hydraulic Oil Check	Every 100 hours
Hydraulic Oil Replacement	First after 200 hours, then every 1,000 hours
V-belt (clutch) Check	Every 200 hours
Battery Check	Every 100 hours

## **⚠ CAUTION — Inspection Intervals**

These inspection intervals are for operation under normal conditions. Adjust your inspection intervals based on the number hours plate compactor is in use, and particular working conditions.

## **⚠ CAUTION — Fuel Piping Replacement**

Fuel piping and connections should be replaced every 2 years.

**Table 6. MVH-206GH Engine Check**

Item	Hours of Operation
RPM Check	Every 40 hours (every week)
Spark Plug Check	Every 40 hours (every week)
Oil or Fuel Leak	Every 8 hours (every day)
Tightness of Fastening Threads	Every 8 hours (every day)
Engine Oil Check and Replenishment	Every 8 hours (every day) (Replenish to specified maximum level)
Engine Oil Replacement	After first 25 hours then every 50 to 100 hours
Air Filter Cleaning	Every 100 hours
Engine Valve Adjustment	After first 50 hours then once a year and when required by poor performance thereafter.
See separate engine manual for details on engine check.	

## DAILY SERVICE

- Check for leakage of fuel or oil.
- Check for loose screws including tightness. See Table 7 for retightening.

**Table 7. Tightening Torque (kg cm)**

Material	Diameter							
	6mm	8mm	10mm	12mm	14mm	16mm	18mm	20mm
4T	70	150	300	500	750	1,100	1,400	2,000
6-8T	100	250	500	800	1,300	2,000	2,700	3,800
11T	150	400	800	1,200	2,000	2,900	4,200	5,600
*	100	300~ 350	650 ~ 700					

\* (In case counterpart is of aluminum)  
(Threads in use with this machine are all right-handed)  
Material and quality of material is marked on each bolt and screw.

- Remove soil and clean the bottom of compaction plate.
- Check hand pump, piping and hose for any leakage. A loosened hydraulic hose can be a cause for leakage. Check hydraulic hose connections with wrench applied for tightness.
- Check engine oil.



## SPARK PLUG

1. Remove and clean the spark plug (Figure 24).
2. Adjust the spark gap to 0.028 ~0.031 inch (0.6~0.7 mm). This unit has electronic ignition, which requires no adjustments.

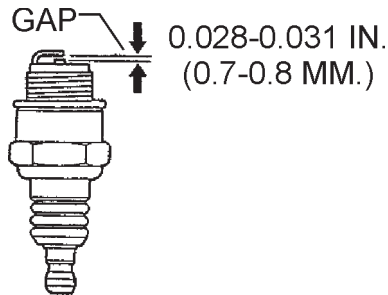


Figure 24. Spark Plug Gap

## ENGINE OIL REPLACEMENT

1. Replace engine oil, first in 25 hours of operation and every 50 to 100 hours afterwards.
2. Drain the engine oil when the oil is *warm* as shown in Figure 25.

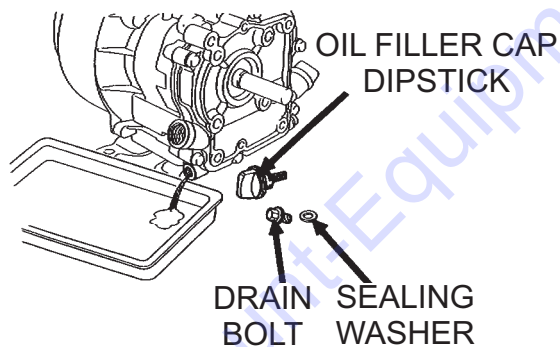


Figure 25. Engine Oil (Draining)

3. Remove the oil drain bolt and sealing washer and allow the oil to drain into a suitable container.
4. Replace engine oil with recommended type oil as listed in Table 4. Engine oil capacity is 1.16 quarts (1.1 liters). **DO NOT** overfill.
5. Install drain bolt with sealing washer and tighten securely.

## AIR CLEANER

1. Remove the air cleaner cover and foam filter element as shown in Figure 26.

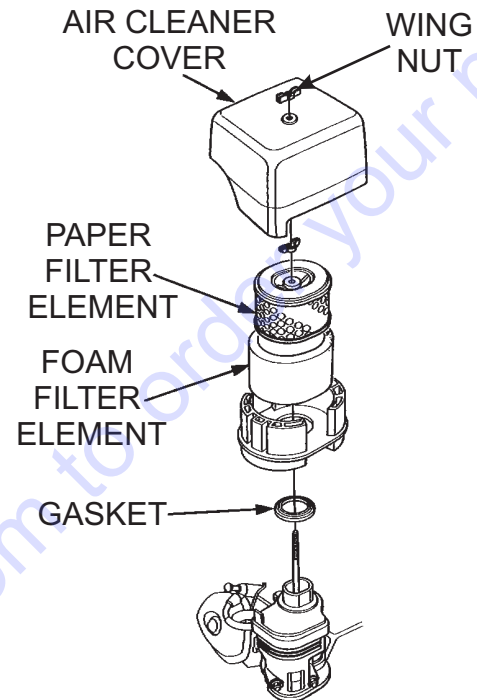


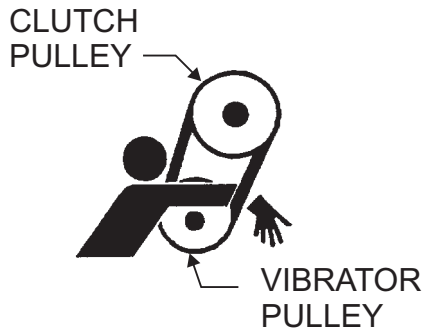
Figure 26. Engine Air Cleaner

2. Tap the paper filter element (Figure 26) several times on a hard surface to remove dirt, or blow compressed air [not exceeding 30 psi (207 kPa, 2.1 kgf/cm<sup>2</sup>)] through the filter element from the air cleaner case side. **NEVER** brush off dirt. Brushing will force dirt into the fibers. Replace the paper filter element if it is excessively dirty.
3. Clean foam element in warm, soapy water or nonflammable solvent. Rinse and dry thoroughly. Dip the element in clean engine oil and completely squeeze out the excess oil from the element before installing.

### **CAUTION — V-Belt Hazard**

NEVER attempt to check the V-belt with the engine running. Severe injury can occur if your hand gets caught between the belt and clutch (Figure 27). Always wear safety gloves.

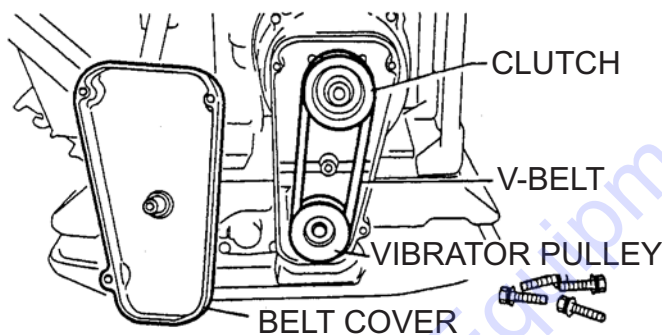




**Figure 27. V-Belt Hazard**

## CHECKING AND REPLACING THE V-BELT AND CLUTCH

After 200 hours of operation, remove the belt cover to check the V-belt tension (Figure 28). Tension is proper if the belt bends about 3/8" (10 mm) when depressed strongly with finger between shafts. Loose or worn V-belts reduces power transmission efficiency, causing weak compaction and reduces the life of the belt itself.



**Figure 28. V-Belt Check**

### Replacing the V-belt

Remove the belt cover. Engage an offset wrench 3/4" (19 mm) or the like to vibrator pulley (lower) fastening bolt. Engage waste cloth or the like at midway of V-belt on the left side and while pulling it back strongly, rotate the offset wrench clockwise so that the V-belt will come off.

### Reinstalling the V-belt

Engage V-belt to lower vibrator pulley and push the V-belt to left side of upper clutch and, in the same manner as in removal, rotate offset wrench clockwise so that the V-belt goes back on.

### Checking Clutch

Check the clutch simultaneously with V-belt checking. With belt cover removed, check outer drum of the clutch for seizure and "V" groove for wear or damage with your eyes. Clean the "V" groove as necessary. Wear of lining or shoe should be checked with running check. If the shoe is worn, power transmission becomes deficient and slipping will result.

### Replacing Clutch

Remove V-belt. Remove bolt at engine power output by giving a shock to an engaged wrench (tapping with hammer or the like) and rotating bolt counterclockwise. Remove clutch with a pulley extractor. To reinstall, reverse the procedure.

#### **CAUTION — Weak Vibration**

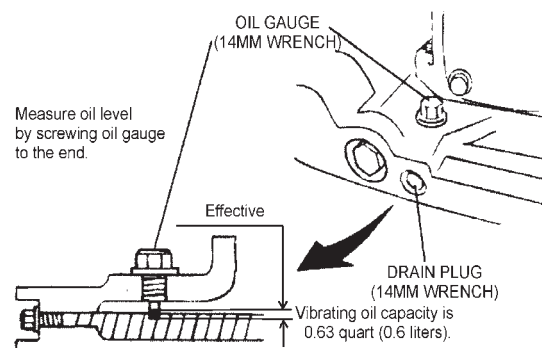
Whenever the compactor's vibration becomes weak or lost during normal operation regardless of operation hours, check the V-belt and clutch immediately.

### VIBRATOR OIL LEVEL CHECK

#### **CAUTION — Dirt and Debris**

Always clean the area around the vibrator oil level check plug before removing oil check plug. This will prevent dirt and debris from entering the system.

In every 100 hours of operation, with the machine positioned horizontally, use a 14 mm wrench and remove vibrator oil level check plug (Figure 24). Measure oil level with gauge. Vibrating oil capacity is 0.63 quart (0.6 liters). Be sure to clean area around check hole to prevent dirt and dust from entering.



**Figure 29. Vibrator Oil Drain and Check Plugs**

## DRAINING VIBRATOR OIL

1. Replace vibrator oil after first 200 hours and in every 1,000 hours of operation.
2. Position handle bar vertically (storage position).
3. Using a 14 mm wrench remove the vibrator oil drain plug (Figure 29) from the vibrating plate assembly.



For draining oil through level check hole, have the machine inclined with a sleeper or the like placed under the compaction plate on opposite side.

4. After vibrator oil has been completely drained from machine, fill with 10W-30 motor oil to the appropriate safe operating level (Figure 29).
5. Reinstall drain plug into vibrating plate assembly. Apply seal tape or Loctite #575 to thread portion of drain plug.

## DRAINING HYDRAULIC OIL

1. Disconnect the hydraulic hose connected to the hydraulic oil cylinder (Figure 30).

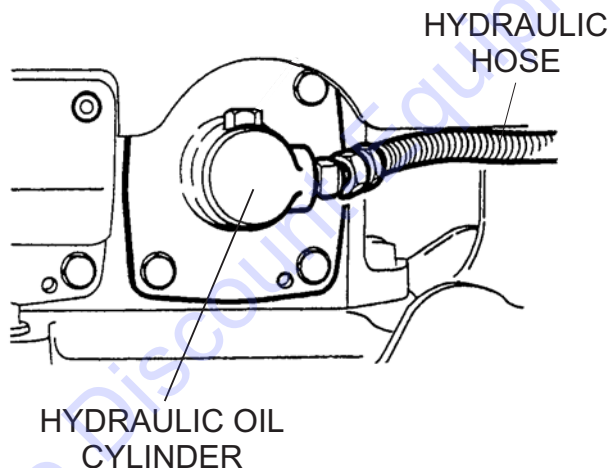


Figure 30. Hydraulic Oil Cylinder

2. Push the travel lever back and forth to drain the hydraulic oil from the hand pump (hydraulic oil reservoir).
3. After draining hydraulic oil, reconnect hydraulic oil hose to cylinder.

4. Place handle in upright position. Pull travel lever all the way back (reverse), and using a rope, secure travel lever to hand grip.

## ADDING HYDRAULIC OIL

1. Remove the breather cap and oil plug (Figure 31) from the hydraulic oil tank using a 24mm hex socket.

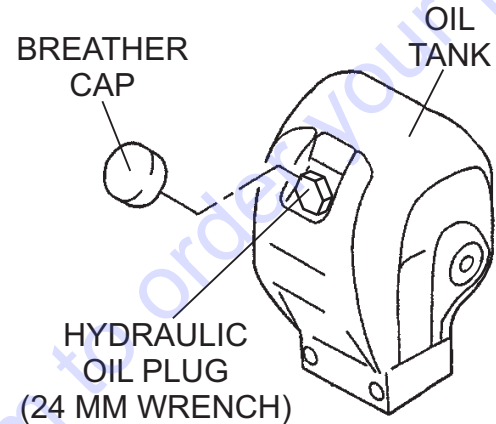


Figure 31. Hydraulic Oil Tank

2. Using a funnel, add **Shell Tellus Oil #46** or equivalent to the hydraulic oil tank through the oil filler port (Figure 32). Oil tank capacity is 50.7 fl. oz (1500 cc)

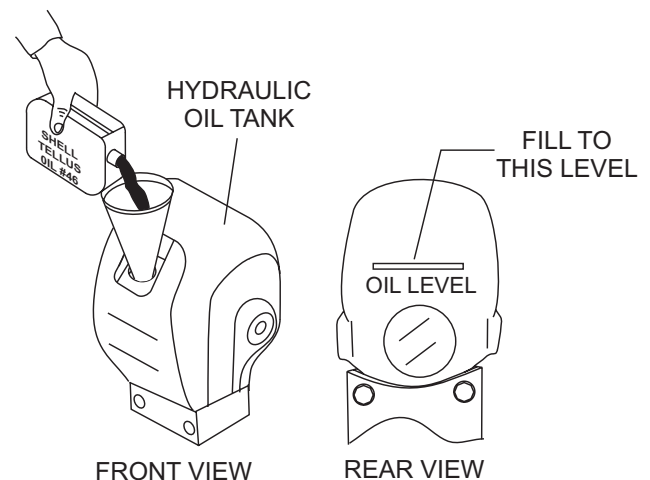
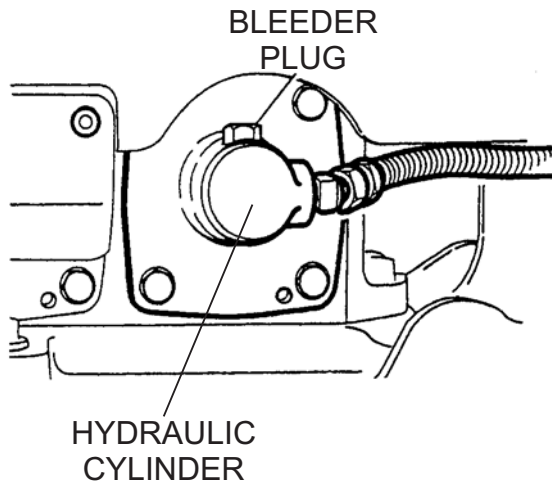


Figure 32. Hydraulic Oil Maintenance

### **CAUTION — Hydraulic Oil Overfill**

Make sure hydraulic oil is at a normal safe operating level. **DO NOT** overfill. Overfilling (excessive oil) will cause excess oil to blow out of breather plug.

3. Loosen bleeder plug located at top of hydraulic cylinder on side of vibrator (Figure 33). Air remaining in the circuit will be forced out of the bleeder plug. Once all air has been purged from the hydraulic system, tighten bleeder plug securely



**Figure 33. Bleeder Plug**

4. Reinsert oil plug into hydraulic oil tank and tighten securely. Reinstall breather cap.

### LONG TERM STORAGE

When storing your compactor for long periods do the following:

1. Run the engine at idle speed for 3-5 minutes.
2. Stop the engine. Drain the engine crankcase oil while the engine is still warm. Fill engine crankcase with fresh oil.
3. Wipe any oil or dirt that may have accumulated on the compactor.
4. Store compactor in a cool dry place out of reach of children and unauthorized personnel.

# TROUBLESHOOTING

Practically all breakdowns can be prevented by proper handling and maintenance inspections, but in the event of a breakdown, please take remedial action based on the troubleshooting information shown. If the problem cannot be remedied, please leave the unit as is and consult Multiquip's business office or service plant.

Table 8. Engine Troubleshooting		
Symptom	Possible Cause	Solution
Difficult to start, "fuel is available, but no SPARK at spark plug".	Spark plug bridging?	Check gap, insulation or replace spark plug.
	Carbon deposit on spark plug?	Clean or replace spark plug.
	Short circuit due to deficient spark plug insulation?	Check spark plug insulation, replace if worn.
	Improper spark plug gap?	Set to proper gap.
Difficult to start, "fuel is available, and SPARK is present at the spark plug".	ON/OFF switch is shorted?	Check switch wiring, replace switch.
	Ignition coil defective?	Replace ignition coil.
	Improper spark gap, points dirty?	Set correct spark gap and clean points.
	Condenser insulation worn or short circuiting?	Replace condenser.
	Spark plug wire broken or short circuiting?	Replace defective spark plug wiring.
Difficult to start, "fuel is available, spark is present and compression is normal"	Wrong fuel type?	Flush fuel system, and replace with correct type of fuel.
	Water or dust in fuel system?	Flush fuel system.
	Air cleaner dirty?	Clean or replace air cleaner.
Difficult to start, "fuel is available, spark is present and compression is low"	Suction/exhaust valve stuck or protruded?	Re-seat valves.
	Piston ring and/or cylinder worn?	Replace piston rings and or piston.
	Cylinder head and/or spark plug not tightened properly?	Torque cylinder head bolts and spark plug.
	Head gasket and/or spark plug gasket damaged?	Replace head and spark plug gaskets.
No fuel present at carburetor.	Fuel not available in fuel tank?	Fill with correct type of fuel.
	Fuel cock does not open properly?	Apply lubricant to loosen fuel cock lever, replace if necessary.
	Fuel filter clogged?	Replace fuel filter.
	Fuel tank cap breather hole clogged?	Clean or replace fuel tank cap.
	Air in fuel line?	Bleed fuel line.

## TROUBLESHOOTING

**Table 8. Engine Troubleshooting (continued)**

Symptom	Possible Cause	Solution
"Weak in power" compression is proper and does not misfire.	Air cleaner not clean?	Clean or replace air cleaner
	Improper level in carburetor?	Check float adjustment, rebuild carburetor.
	Defective Spark plug?	Clean or replace spark plug.
"Weak in power" compression is proper but misfires.	Water in fuel system?	Flush fuel system, and replace with correct type of fuel.
	Dirty spark plug?	Clean or replace spark plug.
	Ignition coil defective?	Replace ignition coil.
Engine overheats.	Spark plug heat value improper?	Replace with correct type of spark plug.
	Correct type of fuel?	Replace with correct type of fuel
	Cooling fins dirty?	Clean cooling fins.
Rotational speed fluctuates.	Governor adjusted correctly?	Adjust governor.
	Governor spring defective?	Replace governor spring.
	Fuel flow restricted?	Check entire fuel system for leaks or clogs.
Recoil starter malfunction.	Recoil mechanism clogged with dust and dirt?	Clean recoil assembly with soap and water.
	Spiral spring loose?	Replace spiral spring.

## TROUBLESHOOTING

**Table 9. Compactor Troubleshooting**

Symptom	Possible Cause	Solution
Travel speed low and vibration weak.	Clutch slips?	Adjust or replace clutch.
	V-belt slips?	Adjust or replace V-belt.
	Excessive Oil in vibrator?	Fill to correct level..
	Trouble in vibrator internals?	Check vibrator assembly for any worn or defective parts, replace any defective parts.
	Aeration in hydraulic oil for for travel reversing syste.?	Purge air in hydraulic oil. (Bleed plug)
	Engine speed incorrect?	Set engine speed to correct RPM.
Travels forward or backward but unable to switch direction.	Travel reversing system inoperative.?	Check entire travel system.
	Reversing lever installation correct?	Clean installation of reversing lever.
	Broken or defective oil hose?	Replace oil hose.
	Aeration in hydraulic oil for for travel reversing syste.?	Purge air in hydraulic oil. (Bleed plug)
	Excessive oil in reversing system?	Fill to correct level..
	Selector valve clogged with trash?	Clean selector valve.
	Cylinder piston bearing failure?	Check piston bearing in cylinder for leakage at USH packing.
Does not travel in forward or reverse.	V-belt dis-engaged or slips?	Engage V-belt, adjust or replace.
	Clutch slips?	Adjust clutch, replace if necessary.
	Pump input shat key or adapter key-way damaged?	Replace input shatkey or adapter key-way
	Cylinder piston bearing failure?	Check piston bearing in cylinder for leakage at USH packing.
Reversing lever operating resistance great.	Excessive hydraulic oil?	Fill to correct level.



# EXPLANATION OF CODE IN REMARKS COLUMN

The following section explains the different symbols and remarks used in the Parts section of this manual. Use the help numbers found on the back page of the manual if there are any questions.

The contents and part numbers listed in the parts section are subject to change **without notice**. Multiquip does not guarantee the availability of the parts listed.

Sample Parts List:

NO.	PART NO.	PART NAME	QTY.	REMARKS
1	12345	BOLT .....	1	INCLUDES ITEMS W/*
2*		WASHER, 1/4 IN. ....		NOT SOLD SEPARATELY
2*	12347	WASHER, 3/8 IN. ...	1	MQ-45T ONLY
3	12348	HOSE .....	A/R	MAKE LOCALLY
4	12349	BEARING .....	1	S/N 2345B AND ABOVE

## NO. Column

**Unique Symbols** - All items with same unique symbol (\*, #, +, %, or >) in the number column belong to the same assembly or kit, which is indicated by a note in the "Remarks" column.

**Duplicate Item Numbers** - Duplicate numbers indicate multiple part numbers are in effect for the same general item, such as different size saw blade guards in use or a part that has been updated on newer versions of the same machine.



When ordering a part that has more than one item number listed, check the remarks column for help in determining the proper part to order.

## PART NO. Column

**Numbers Used** - Part numbers can be indicated by a number, a blank entry, or TBD.

TBD (To Be Determined) is generally used to show a part that has not been assigned a formal part number at time of

## QTY. Column

**Numbers Used** - Item quantity can be indicated by a number, a blank entry, or A/R.

A/R (As Required) is generally used for hoses or other parts that are sold in bulk and cut to length.

A blank entry generally indicates that the item is not sold separately. Other entries will be clarified in the "Remarks" Column.

## REMARKS Column

Some of the most common notes found in the "Remarks" Column are listed below. Other additional notes needed to describe the item can also be shown.

**Assembly/Kit** - All items on the parts list with the same unique symbol will be included when this item is purchased.

Indicated by:

"INCLUDES ITEMS W/(unique symbol)"

**Serial Number Break** - Used to list an effective serial number range where a particular part is used.

Indicated by:

"S/N XXXXX AND BELOW"

"S/N XXXX AND ABOVE"

"S/N XXXX TO S/N XXX"

**Specific Model Number Use** - Indicates that the part is used only with the specific model number or model number variant listed. It can also be used to show a part is NOT used on a specific model or model number variant.

Indicated by:

"XXXXX ONLY"

"NOT USED ON XXXX"

**"Make/Obtain Locally"** - Indicates that the part can be purchased at any hardware shop or made out of available items. Examples include battery cables, shims, and certain washers and nuts.

**"Not Sold Separately"** - Indicates that an item cannot be purchased as a separate item and is either part of an assembly/kit that can be purchased, or is not available for



## SUGGESTED SPARE PARTS

---

### MVH206GH W/ HONDA GX240U1SMX2 ENGINE

#### 1 TO 3 Units

<u>QTY.</u>	<u>PART NO.</u>	<u>DESCRIPTION</u>
1	956100064	THROTTLE WIRE
2	070200353	V-BELT
3	9807956846	SPARK PLUG
3	17210ZE2822	ELEMENT, AIR CLEANER (DUAL)
1	17620Z0T305	CAP, FUEL TANK S/N 1201674 AND BELOW
1	117620Z4H010	CAP, FUEL TANK S/N 1201675 ~ 1206823
1	17620Z4H020	CAP, FUEL TANK S/N 1206824 AND ABOVE
1	28462ZE2W11	ROPE, RECOIL

Go to Discount-Equipment.com to order your parts

# NAMEPLATE AND DECALS

10

<b>DANGER FUEL</b> Fire risk	<b>DANGER EXHAUST</b> Operate only in well-ventilated area
<b>DANGER LIFTING</b> Do not stand next to machine while lifting	<b>DANGER LIFTING</b> Do not use machine handle
<b>WARNING NOISE</b> Wear ear protection	<b>WARNING HOT TEMP.</b> Avoid contact with the muffler and cylinder
<b>CAUTION MOVING PARTS</b> Do not touch moving parts in operation	<b>CAUTION READ</b> Read operator's manual carefully before use

**OPERATIONAL CAUTION**

- Prior to OPERATION, check engine oil and fuel levels. If not enough, add to proper levels.
- Warm up engine at low speed for 3 to 5 minutes.
- Operate machine at full (throttle) speed. (incorrect clutch engagement causes clutch to burn.)
- Use travel lever for forward & reverse motion. Do not push or pull travel lever strongly.

NPA-1106 Ⓟ

NPA-1317 Ⓟ

12

**OPERATIONAL CAUTION**  
Do not move travel lever if engine stops

NPA-1106 Ⓟ

15

NPA-1169

3  
**Shell Tellus Oil 32**

13

**Operate Unit At Full Throttle**

NPA-458 Ⓟ

60

**3100 ~ 3300 RPM**

NPA-582 Ⓟ

14

DCL 333 Ⓟ

25

**V BELT HDPF-5350**

16

**LWA 107dB**

21



20

**Mikasa**

Serial No.

Model No.

**MQ MULTQUIP**

1

**SAE 10W-30 MOTOR OIL**

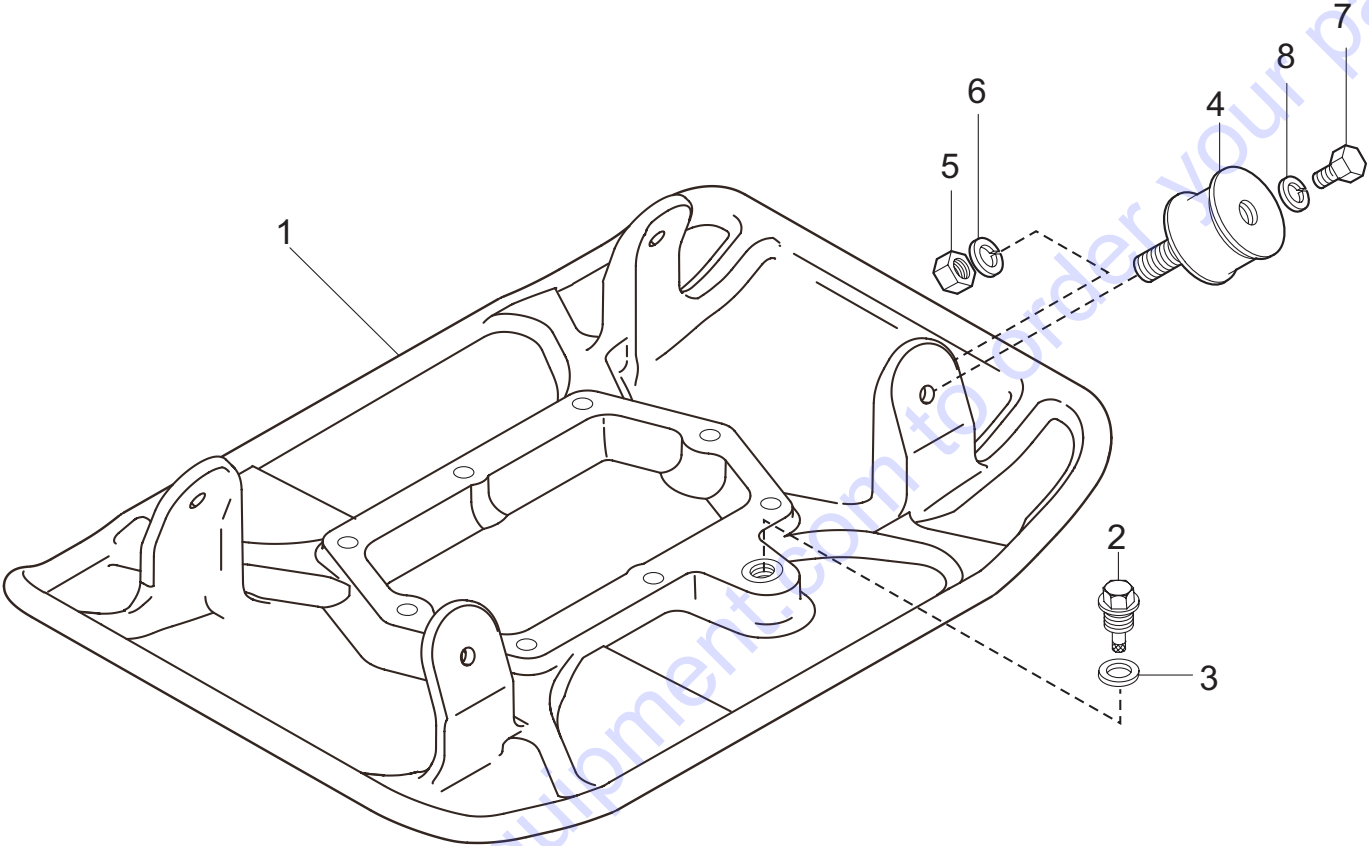
NPA-195 Ⓟ

## NAMEPLATE AND DECALS

<u>NO.</u>	<u>PART NO.</u>	<u>PART NAME</u>	<u>QTY.</u>	<u>REMARKS</u>
1	920201950	DECAL, OIL SAE 10W-30 .....	1 .....	NPA-195
3	920211090	DECAL, SHELL TELLUS OIL 32	1	
10	920213170	DECAL, CAUTION .....	1 .....	NPA-1317
12	920211060	DECAL, CAUTION (LEVER) .....	1 .....	NPA-1106
13	920204580	DECAL, FULL THROTTLE .....	1 .....	NPA-458
14	920203330	EAR PROTECTION LABEL .....	1 .....	DCL333
15	920211690	DECAL, LEVER OPERATION .....	1 .....	NPA-1169
16	920210310	DECAL, EC NOISE REQ. LWA107 .....	1 .....	NPA-1031
20		PLATE, SERIAL NO. ....	1 .....	CONTACT MQ PARTS DEPT.
21	920201580	DECAL, MQ MARK 71X55	1	
25	920205040	DECAL, V-BELT HDPF-5350	1	
60	920205820	DECAL, ENGINE RPM 3100-3300 .....	1 .....	NPA-582

Go to Discount-Equipment.com to order your parts

# VIBRATING PLATE ASSY



## VIBRATING PLATE ASSY

---

<u>NO.</u>	<u>PART NO.</u>	<u>PART NAME</u>	<u>QTY.</u>	<u>REMARKS</u>
1	466119710	VIBRATING PLATE	1	
2	460449160	OIL GAUGE	1	
3	953405260	PACKING 1/4 (CU)	1	
4	939010300	SHOCK ABSORBER 75X50H	4	
5	020312100	NUT M12	4	
6	030212300	WASHER, LOCK M12	4	
7	001221235	BOLT 12X35 T	4	
8	030212300	WASHER, LOCK M12	4	

Go to Discount-Equipment.com to order your parts

# PARTS FINDER

**Search Website  
by Part Number**



**Search Manual  
Library For Parts  
Manual & Lookup Part  
Numbers – Purchase  
or Request Quote**

**Search Manuals**

Enter your information to help us find the right parts manual for your machine.

\* Brand:

\* Model:

\* Serial:

\* Part Number:

SEARCH

**Can't Find Part or  
Manual? Request Help  
by Manufacturer,  
Model & Description**

**Parts Order Form**

Please fill in the following information to help us find the right part for your machine.

Manufacturer:	<input type="text"/>
Model:	<input type="text"/>
Description:	<input type="text"/>
Part Number:	<input type="text"/>
Quantity:	<input type="text"/>
Notes:	<input type="text"/>

Submit

Discount-Equipment.com is your online resource for quality parts & equipment.

Florida: **561-964-4949** Outside Florida TOLL FREE: **877-690-3101**

**Need parts?**

Click on this link: <http://www.discount-equipment.com/category/5443-parts/> and choose one of the options to help get the right parts and equipment you are looking for. Please have the machine model and serial number available in order to help us get you the correct parts. If you don't find the part on the website or on one of the online manuals, please fill out the request form and one of our experienced staff members will get back to you with a quote for the right part that your machine needs.

We sell worldwide for the brands: Genie, Terex, JLG, MultiQuip, Mikasa, Essick, Whiteman, Mayco, Toro Stone, Diamond Products, Generac Magnum, Airman, Haulotte, Barreto, Power Blanket, Nifty Lift, Atlas Copco, Chicago Pneumatic, Allmand, Miller Curber, Skyjack, Lull, Skytrak, Tsurumi, Husquvarna Target, Stow, Wacker, Sakai, Mi-T-M, Sullair, Basic, Dynapac, MBW, Weber, Bartell, Bennar Newman, Haulotte, Ditch Runner, Menegotti, Morrison, Contec, Buddy, Crown, Edco, Wyco, Bomag, Laymor, EZ Trench, Bil-Jax, F.S. Curtis, Gehl Pavers, Heli, Honda, ICS/PowerGrit, IHI, Partner, Imer, Clipper, MMD, Koshin, Rice, CH&E, General Equipment, Amida, Coleman, NAC, Gradall, Square Shooter, Kent, Stanley, Tamco, Toku, Hatz, Kohler, Robin, Wisconsin, Northrock, Oztec, Toker TK, Rol-Air, APT, Wylie, Ingersoll Rand / Doosan, Innovatech, Con X, Ammann, Mecalac, Makinex, Smith Surface Prep, Small Line, Wanco, Yanmar

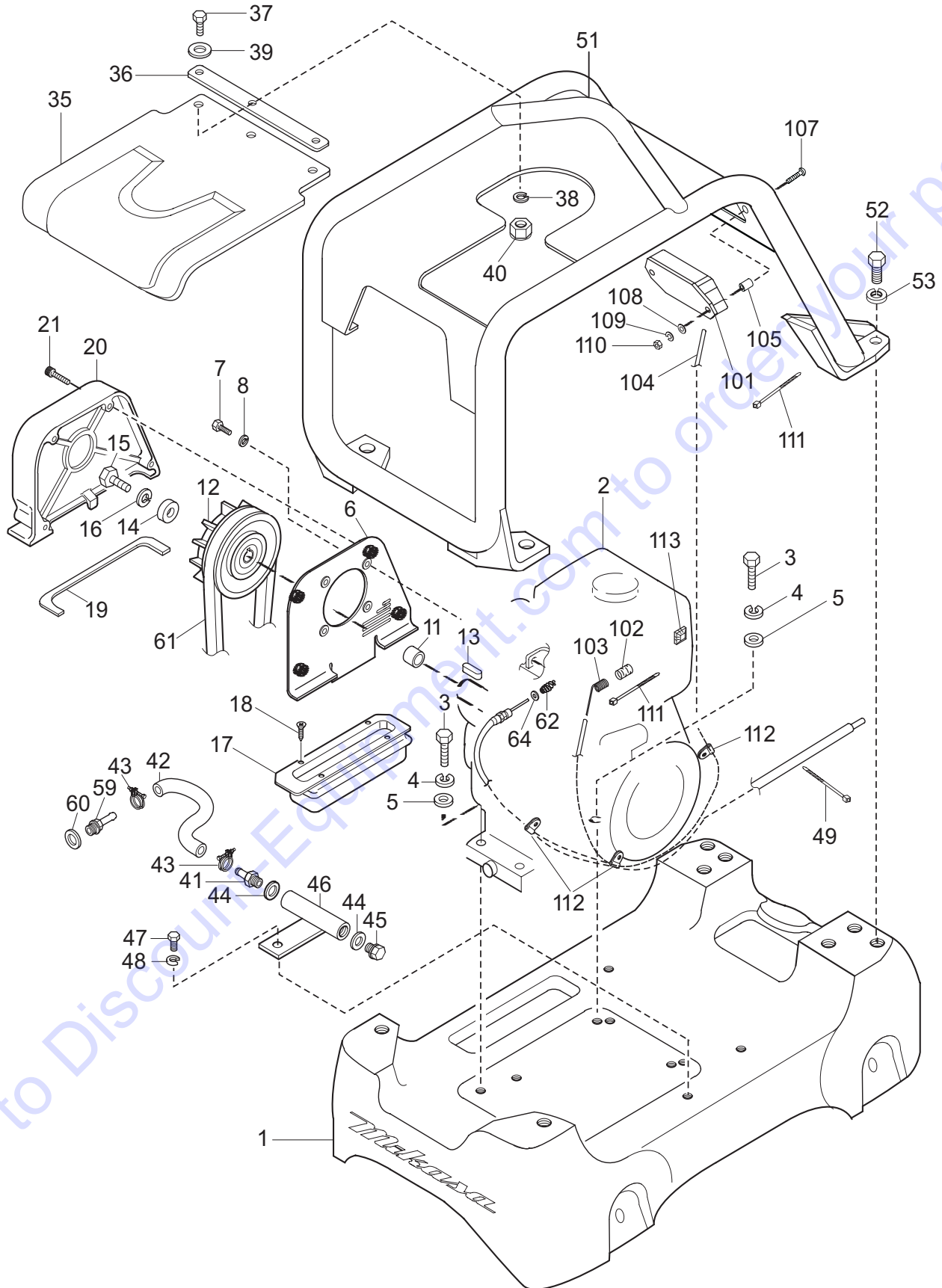




## BASE AND ENGINE ASSY

<u>NO.</u>	<u>PART NO.</u>	<u>PART NAME</u>	<u>QTY.</u>	<u>REMARKS</u>
1	466119780	BASE	1	
2	912224003	ENGINE, GX240U1SMX2	1	
3	001221040	BOLT 10X40 T	4	
4	030210250	WASHER, LOCK M10	4	
5	031110160	WASHER, FLAT M10	4	
6	466347760	BELT COVER	1	
7	001121025	BOLT 10X25 T P1.25	4	
8	030210250	WASHER, LOCK M10	4	
11	466461470	SPACER	1	
12	466347700	CLUTCH ASSY/CHM03/W.FAN	1	
13	951400110	KEY 7X7X35	1	
14	466461490	WASHER, CLUTCH	1	
15	001220830	BOLT 8X30 T	1	
16	030208200	WASHER, LOCK M8	1	
17	466217910	DUST-PROOF COVER	1	
18	092006010	FLAT HEAD SCREW 6X10	4	
19	466347740	DUST-PROOF SPONGE (OUT)	1	
20	466119740	BELT COVER (OUT)	1	
21	001521054	SOCKET HEAD BOLT 10X70 T	4	
35	466119720	RUBBER COVER (GUARD FRAME)	1	
36	466461500	PLATE, COVER	1	
37	001220830	BOLT 8X30 T	3	
38	030208200	WASHER, LOCK M8	3	
39	031108160	WASHER, FLAT M8	3	
40	022710809	NYLON NUT M8	3	
41	2556390111	UNION	1	
42	2556380103	DRAIN HOSE	1	
43	0091720000	HOSE CLAMP	2	
44	0211140020	GASKET	2	
45	0401140030	PLUG	1	

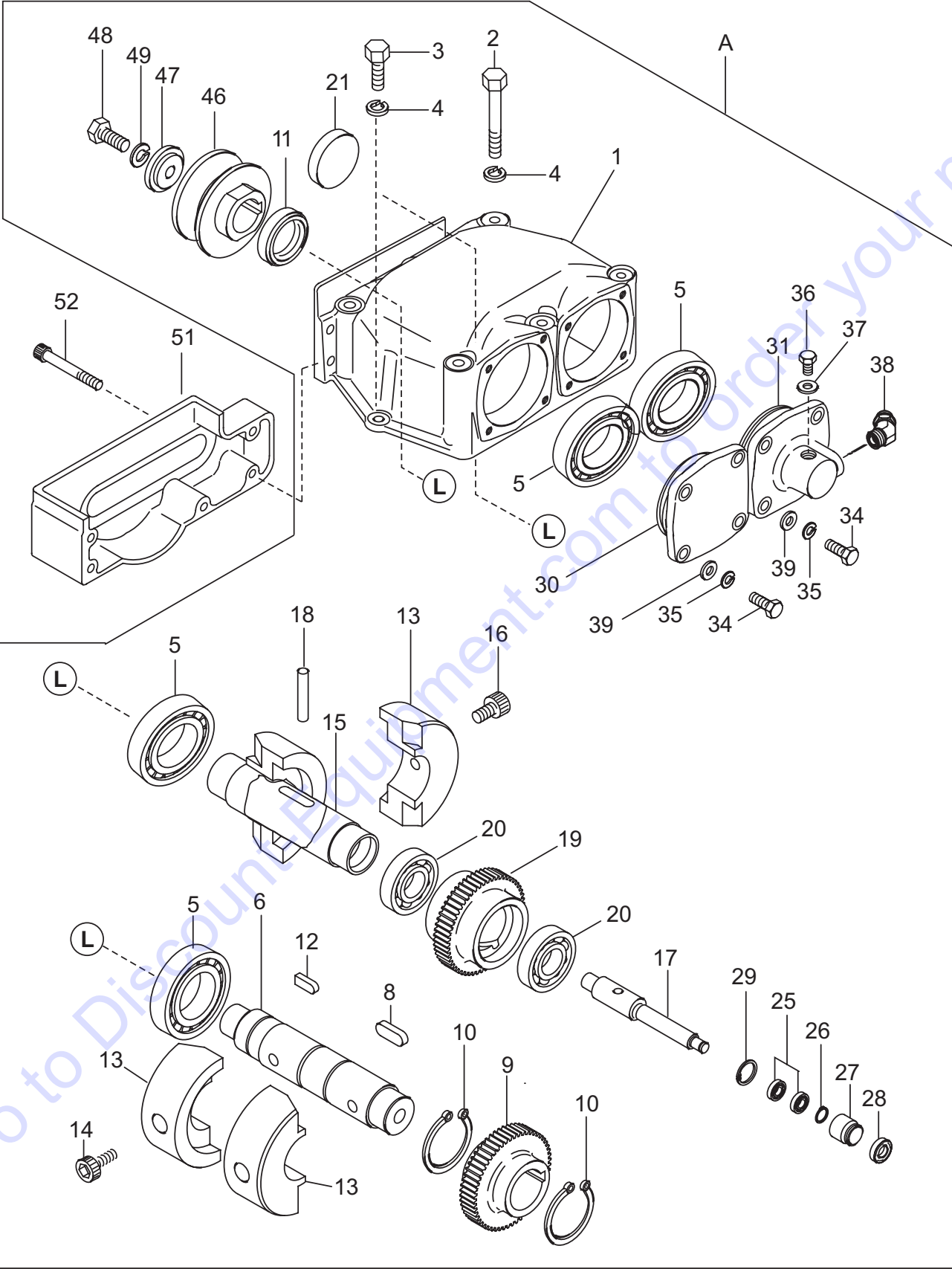
# BASE AND ENGINE ASSY



## BASE AND ENGINE ASSY

<u>NO.</u>	<u>PART NO.</u>	<u>PART NAME</u>	<u>QTY.</u>	<u>REMARKS</u>
46	464457380	DRAIN JOINT	1	
47	001220820	BOLT 8X20 T	1	
48	030208200	SW M8	1	
49	454010020	CLAMP TC-100	1	
51	466119750	GUARD HOOK	1	
52	001221230	BOLT 12X30 T	4	
53	030212300	WASHER, LOCK M12	4	
59	90131ZE3790	DRAIN JOINT	1	
60	9410912000	WASHER, DRAIN PLUG M12	1	
61	070200353	V-BELT B-35 GREEN /HDPF535	1	
62	0830000010	COIL SPRING	1	
64	031104080	WASHER, FLAT M4	1	
101	980010330	TACHO & HOUR METER	1	
102	955010307	CLIP BELT/TP-22	1	
103	980010430	CURL CORD,1150L	1	
104	959026828	RUBBER TUBE	1	
105	952407930	COLLAR 6X10X13.5	2	
107	009110053	PAN HEAD SCREW 5X30	2	
108	031105080	WASHER, FLAT M5	2	
109	030205130	WASHER, LOCK M5	2	
110	020305040	NUT M5	2	
111	454010020	CLAMP TC-100	5	
112	2067550101	CLAMP COMPL	3	
113	955407970	WIRING FIXED BASE	1	

# VIBRATOR ASSY



## VIBRATOR ASSY

<u>NO.</u>	<u>PART NO.</u>	<u>PART NAME</u>	<u>QTY.</u>	<u>REMARKS</u>
A	466910010	VIBRATOR ASSY .....	1 .....	INCLUDES ITEMS W/ #
1#	466119760	VIBRATING CASE	1	
2#	001221264	BOLT 12X120 T	6	
3#	001221235	BOLT 12X35 T	2	
4#	030212300	WASHER, LOCK M12	8	
5#	047920130	ROLLER BEARING NJ209EMC4	4	
6#	466347770	ROTARY SHAFT, DRIVE	1	
8#	951405370	KEY 15X10X39 RR	1	
9#	466347900	GEAR, DRIVE	1	
10#	080200500	STOP RING S-50	2	
11#	060104020	OIL SEAL SB-45689	1	
12#	951402300	KEY 10X8X27	1	
13#	466347780	ECCENTRIC ROTATOR	4	
14#	009120309	SOCKET HEAD BOLT 12X40T	2	
15#	466347790	ROTARY SHAFT, DRIVEN	1	
16#	009120308	SOCKET HEAD BOLT 12X25T	2	
17#	466347860	PISTON ROD	1	
18#	025510063	KNOCK PIN 10X63	1	
19#	466347800	GEAR (DRIVEN)	1	
20#	040006910	BEARING 6910	2	
21#	953010040	SEAL CAP/AC68-9	1	
25#	042506000	BEARING 6000ZZSG	2	
26#	080200100	STOP RING S-10	1	
27#	455435051	PISTON, 22.4D	1	
28#	455010070	PACKING USH-22.4X30X5	1	
29#	080100260	STOP RING R-26	1	
30#	466347810	BEARING COVER	1	
31#	466347820	CYLINDER (L)	1	
34#	001220825	BOLT 8X25 T	8	
35#	030208200	WASHER, LOCK M8	8	
36#	001220810	BOLT 8X10 T	1	
37#	953404600	COPPER PACKING 8X16X2	1	
38#	455010020	ELBOW 45° 15-0404	1	
39#	031108160	WASHER, FLAT M8	8	
46#	466347830	PULLEY	1	
47#	466461510	WASHER	1	
48#	001221230	BOLT 12X30 T	1	
49#	030212300	WASHER, LOCK M12	1	
51	466217880	BELT COVER (LOWER)	1	
52	001520855	SOCKET HEAD BOLT 8X75 T	5	





## CONTROL ASSY

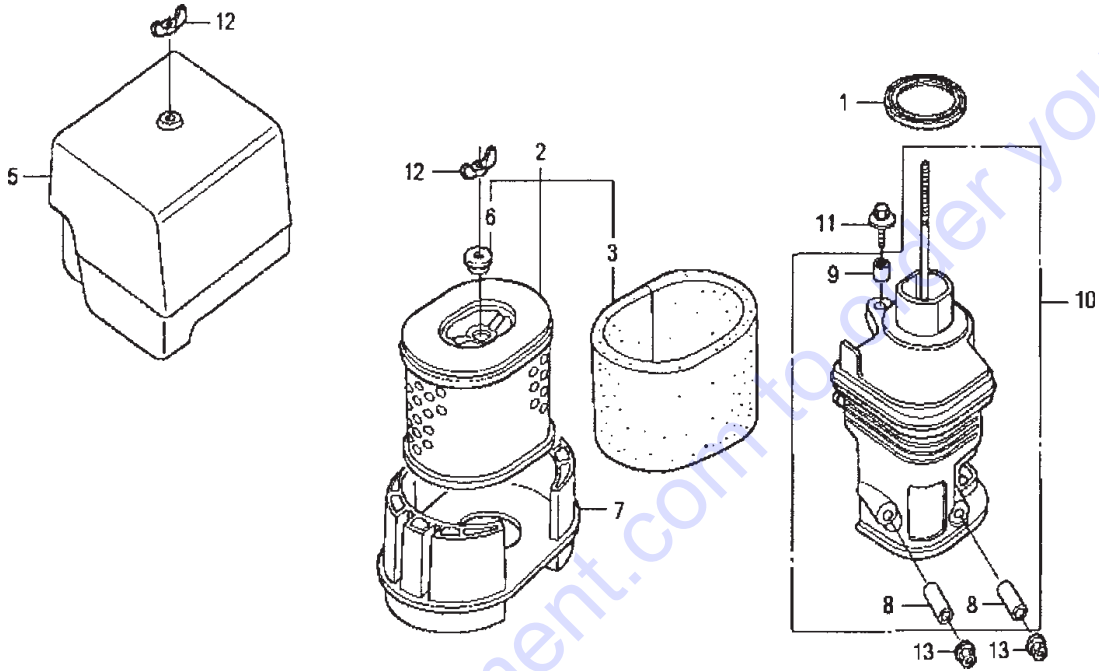
<u>NO.</u>	<u>PART NO.</u>	<u>PART NAME</u>	<u>QTY.</u>	<u>REMARKS</u>
A	362910060	THROTTLE LEVER ASSY .....	1 .....	INCLUDES ITEMS W/ #
1	464343680	HANDLE BRACKET	1	
2	456336420	HANDLE BRACKET(R)	1	
3	001221235	BOLT 12X35 T	4	
4	030212300	WASHER, LOCK M12	4	
5	031112230	WASHER, FLAT M12	4	
7	456336400	RUBBER COUPLING	2	
8	456449940	SHOCK ABSORBER	2	
9	456449930	RUBBER PLATE	2	
10	001221681	BOLT 16X250 T	1	
11	032124400	CONICAL SPRING WASHER M24	2	
12	025406016	SPRING PIN 6X16	2	
13	031116260	WASHER, FLAT M16	2	
14	020316130	NUT M16	1	
15	020416100	NUT M16, H=10	1	
18	455434950	SPINDLE	1	
19	455010030	KNOB	1	
20	939010060	SHOCK ABSORBER	1	
21	020410060	NUT M10, H=6	1	
22	020412070	NUT M12, H=7	1	
23	022411635	WING NUT M16	1	
25	954404230	CLAMP SA120-18	1	
26	001220620	BOLT 6X20 T	1	
27	030206150	WASHER, LOCK M6	1	
28	031106100	WASHER, FLAT M6	1	
29	020306050	NUT M6	1	
34	501402870	HANDLE STOPPER	1	
35	501402880	SPRING/HANDLE (1.4X18X44)	1	
36	959403460	BALL GRIP 32D-M10	1	
37	020410060	NUT M10, H=6	1	
38	456449980	RUBBER PACKING 9D-20D-5T	1	
39	953405260	PACKING 1/4 (CU)	1	
40	031110160	WASHER, FLAT M10	1	
43	466217890	HANDLE COVER	1	
44	001220615	BOLT 6X15 T	6	
45	030206150	WASHER, LOCK M6	6	
46	031106100	WASHER, FLAT M6	6	
47	466462010	PACKING, HANDLE COVER	2	
61	466119770	HANDLE	1	
64	464216630	TRAVEL LEVER	1	
65	464457400	HANDLE BOSS	1	



## CONTROL ASSY

<u>NO.</u>	<u>PART NO.</u>	<u>PART NAME</u>	<u>QTY.</u>	<u>REMARKS</u>
66	001221030	BOLT 10X30 T	2	
67	030210250	WASHER, LOCK M10	2	
68	464216620	GRIP	1	
69	030210250	WASHER, LOCK M10	2	
70	031110160	WASHER, FLAT M10	2	
71	020310080	NUT M10	2	
72	001220825	BOLT 8X25 T	2	
73	030208200	WASHER, LOCK M8	2	
74	952010030	WAVE WASHER W-20	4	
80#	362341550	THROTTLE BODY	1	
81#	362910090	THROTTLE, GEAR CP, W/ BOLT	1	
83#	362455630	THROTTLE LEVER	1	
84#	362455620	SLIDER	1	
85#	050100450	O-RING G-45	1	
86#	050200100	O-RING P-10	1	
87#	031110160	WASHER, FLAT M10	4	
88#	032210220	CONICAL SPRING WASHER M10	1	
89#	096206006	SOCKET HEAD SCREW 6X6	1	
90#	020410060	NUT M10, H=6	1	
91#	022131008	CAP NUT M10	1	
92#	096208020	SOCKET HEAD SCREW 8X20	1	
93#	020408050	NUT M8, H=5	1	
94	001220625	BOLT 6X25 T	2	
95	030206150	WASHER, LOCK M6	2	
96	031106100	WASHER, FLAT M6	2	
97	020306050	NUT M6	2	
98	464457930	RUBBER PIECE (T2)	1	
99	954002270	OIL HOSE W/ SPRING 1/4X920	1	
100	458451630	BREATHER CAP	1	
101	956100064	THROTTLE WIRE	1	
107	20675501-01	CLAMP COMPL	3	
108	001220615	BOLT 6X15 T	1	
109	030206150	WASHER, LOCK M6	1	
110	4663-47890	HAND PUMP	1	

# GX240U1SMX2 — AIR CLEANER ASSY

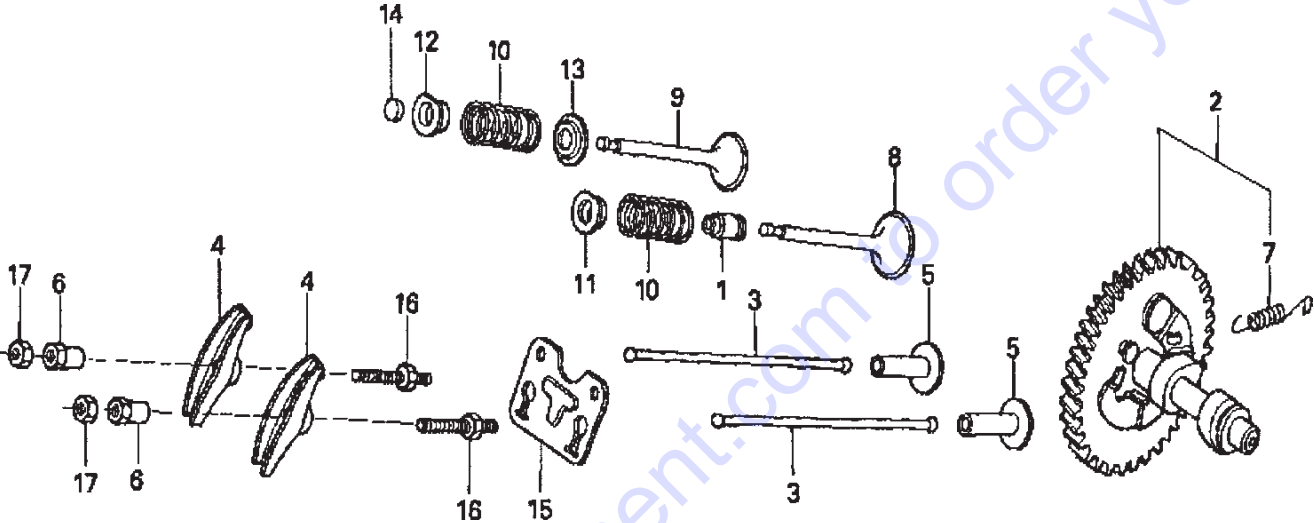


## GX240U1SMX2 — AIR CLEANER ASSY

<u>NO.</u>	<u>PART NO.</u>	<u>PART NAME</u>	<u>QTY.</u>	<u>REMARKS</u>
1	16271ZE2010	PACKING, ELBOW	1	
2	17210ZE2822	ELEMENT, AIR CLEANER (DUAL) .....	1 .....	INCLUDES ITEMS W/%
3%	17218ZE2821	FILTER, OUTER	1	
5	17231ZH9820	COVER, AIR CLEANER	1	
6%	17232891000	GROMMET, AIR CLEANER	1	
7	17235ZE2820	NOSE, SILENCER	1	
8#	17238ZE2310	COLLAR, AIR CLEANER	2	
9#	17239ZE1000	COLLAR B, AIR CLEANER	1	
10	17410ZE2020	ELBOW COMP., AIR CLEANER .....	1 .....	INCLUDES ITEMS W/#
11	90009ZE2003	BOLT - WASHER, 6X22	1	
12	90325044000	NUT, TOOL BOX SETTING	2	
13	9405006000	NUT, FLANGE 6MM	2	

Go to Discount-Equipment.com to order your parts

**GX240U1SMX2 — CAMSHAFT ASSY**



Go to Discount-Equipment.com to order your parts

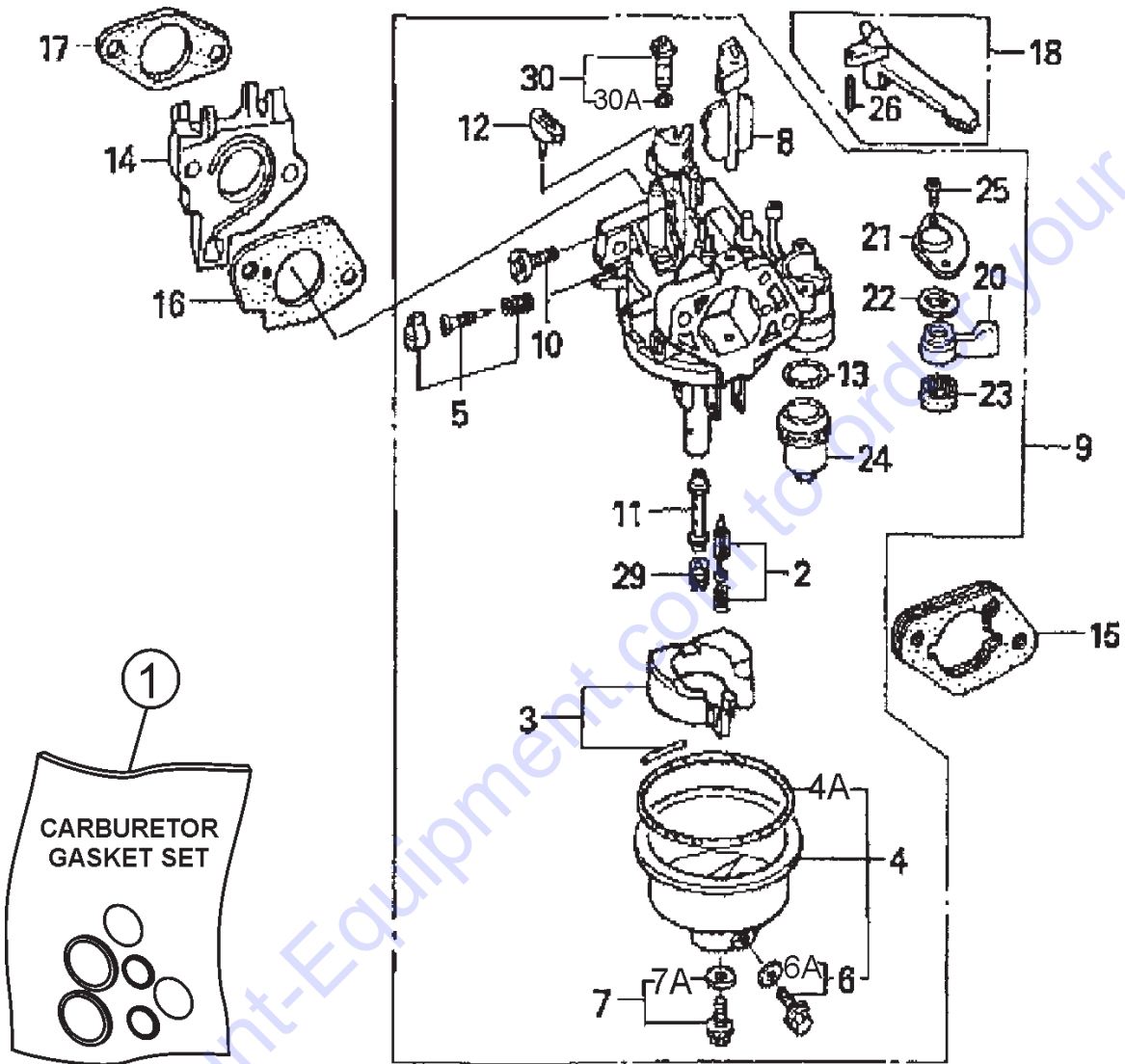


## GX240U1SMX2 — CAMSHAFT ASSY

<u>NO.</u>	<u>PART NO.</u>	<u>PART NAME</u>	<u>QTY.</u>	<u>REMARKS</u>
1	12209ZE8003	SEAL, VALVE STEM	1	
2	14100ZE2W01	CAMSHAFT ASSEMBLY .....	1	INCLUDES ITEM W/ *
3	14410ZE2013	ROD, PUSH	2	
4	14431ZE2010	ARM, VALVE ROCKER	2	
5	14441ZE2000	LIFTER, VALVE	2	
6	14451ZE1013	PIVOT, ROCKER ARM	2	
7*	14568ZE1000	SPRING, WEIGHT RETURN	1	
8	14711ZE2000	VALVE, INTAKE	1	
9	14721ZE2000	VALVE, EXHAUST	1	
10	14751ZE2003	SPRING, VALVE	2	
11	14771ZE2000	RETAINER, INTAKE VALVE SPRING	1	
12	14773ZE2000	RETAINER, EXHAUST VALVE SPRING	1	
13	14775ZE2010	SEAT, VALVE SPRING	1	
14	14781ZE2000	ROTATOR, VALVE	1	
15	14791ZE2010	PLATE, PUSH ROD GUIDE	1	
16	90012ZE0010	BOLT, PIVOT 8MM	2	
17	90206ZE1000	NUT, PIVOT ADJUSTING	2	

Go to Discount-Equipment.com to order your parts

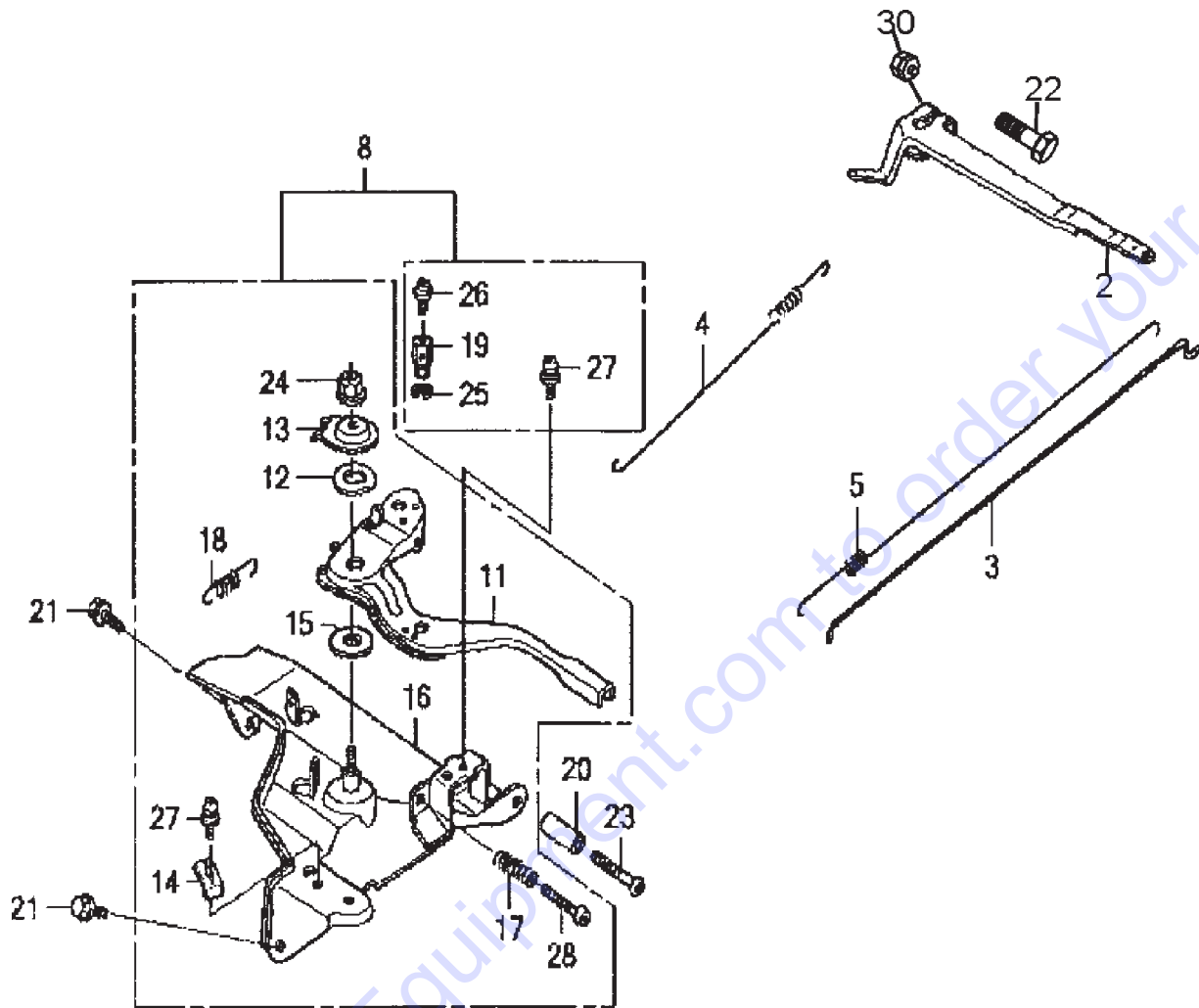
# GX240U1SMX2 — CARBURETOR ASSY



## GX240U1SMX2 — CARBURETOR ASSY

<u>NO.</u>	<u>PART NO.</u>	<u>PART NAME</u>	<u>QTY.</u>	<u>REMARKS</u>
1	16010ZE2812	GASKET SET (INCLUDE 16173-001-004)	1	INCLUDES ITEM W/ +
2#	16011ZA0931	VALVE SET, FLOAT	1	
3#	16013ZA0931	FLOAT SET	1	
4#	16015ZE8005	CHAMBER SET, FLOAT	1	INCLUDES ITEM 4A
				INCLUDES ITEM W/ >
4A+		GASKET, CHAMBER SET FLOAT	1	NOT SOLD SEPARATELY
5#	16016ZH7W01	SCREW SET, PILOT	1	
6#>	16024ZE1811	SCREW SET, DRAIN	1	INCLUDES ITEM 6A
6A+		GASKET, DRAIN SCREW SET	1	NOT SOLD SEPARATELY
7#	16028ZE0005	SCREW SET	1	INCLUDES ITEM 7A
7A+		GASKET, SCREW SET	1	NOT SOLD SEPARATELY
8#	16044ZE2005	CHOKE SET	1	
9	16100ZE2W71	CARBURETOR ASSY. (BE70B B/C)	1	INCLUDES ITEMS W/ #
10#	16124ZE0005	SCREW, THROTTLE STOP	1	
11	16166ZE2W70	NOZZLE, MAIN	1	
12#	16172ZE3W10	COLLAR, SETTING	1	
13#+	16173001004	PACKING, FUEL STRAINER CUP	1	
14	16211ZE2000	INSULATOR, CARBURETOR	1	
15	16220ZA0702	SPACER COMP., CARBURETOR	1	
16	16221ZA0800	PACKING CARBURETOR	1	
17	16223ZA0800	PACKING INSULATOR	1	
18	16610ZE1000	LEVER COMP., CHOKE (STD.)	1	
20#	16953ZE1812	LEVER, COCK	1	
21#	16954ZE1812	PLATE, LEVER SETTING	1	
22#	16956ZE1811	SPRING, COCK LEVER	1	
23#+	16957ZE1812	PACKING, FUEL COCK	1	
24#	16967ZE0811	CUP, FUEL STRAINER	1	
25#	93500030061H	SCREW, PAN 3X6	2	
26#	9430520122	PIN, SPRING 2X12	1	
29#	99101ZH80820	JET, MAIN #82	1	
29#	99101ZH80850	JET, MAIN #85	1	
29#	99101ZH80880	JET, MAIN #88	1	
30#	99204ZA00400	JET SET, PILOT #40, BE70B C	1	
30#	99204ZE00400	JET SET, PILOT #40, BE79B B	1	
30A+		GASKET, JET SET, PILOT #40	1	NOT SOLD SEPARATELY

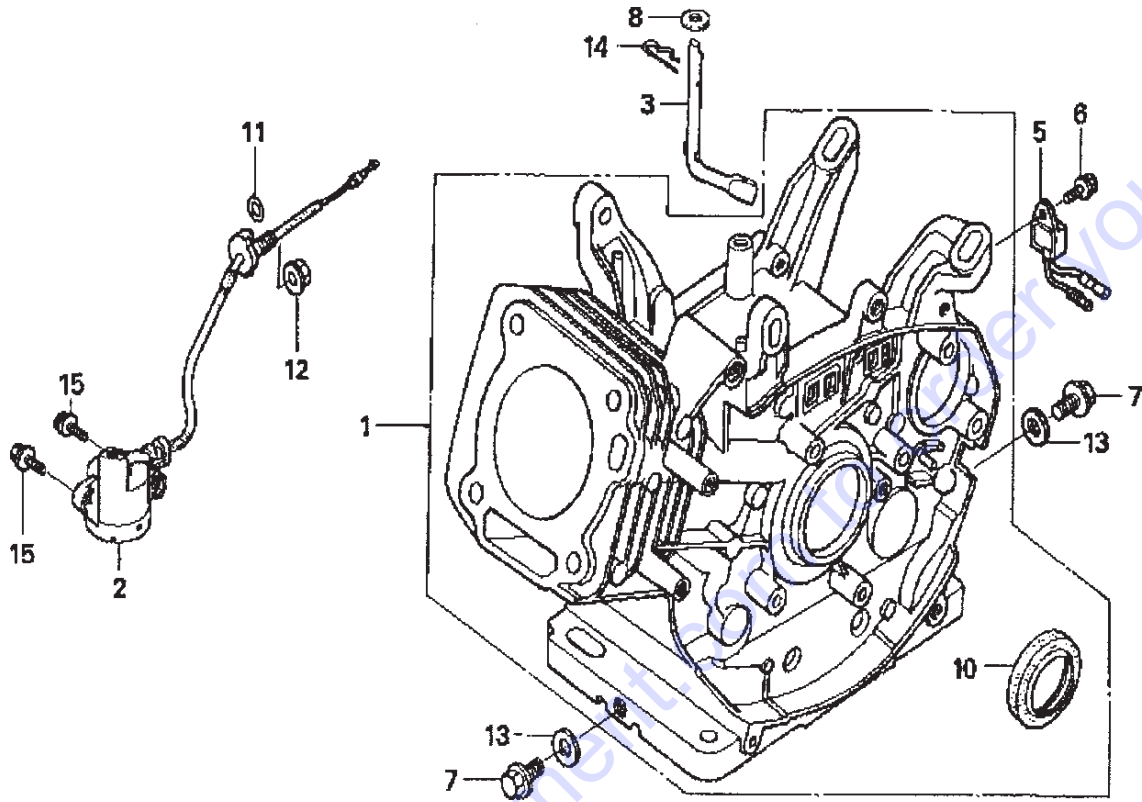
# GX240U1SMX2 — CONTROL ASSY



## GX240U1SMX2 — CONTROL ASSY

<u>NO.</u>	<u>PART NO.</u>	<u>PART NAME</u>	<u>QTY.</u>	<u>REMARKS</u>
2	16551ZE2000	ARM, GOVERNOR	1	
3	16555ZE2000	ROD, GOVERNOR	1	
4	16561ZE2000	SPRING, GOVERNOR	1	
5	16562ZE2000	SPRING, THROTTLE RETURN	1	
8	16570ZE2W10	CONTROL ASSY. (REMOTE) .....	1	INCLUDES ITEMS W/ %
11%	16571ZE2W00	LEVER CONTROL	1	
12%	16574ZE1000	SPRING LEVER	1	
13%	16575ZE2W00	WASHER, CONTROL LEVER	1	
14%	16576891000	HOLDER, CABLE	1	
15%	16578ZE1000	SPACER, CONTROL LEVER	1	
16%	16581ZE2W00	BASE COMP., CONTROL	1	
17%	16584883300	SPRING, CONTROL ADJUSTING	1	
18%	16592883310	SPRING, CABLE RETURN	1	
19%	16594883010	HOLDER, WIRE	1	
21	90013883000	BOLT, FLANGE 6X12 (CT200)	2	
22	90015ZE5010	BOLT, GOVERNOR ARM	1	
24%	90114SA0000	NUT, SELF- LOCK, 6MM	1	
25%	90605230000	CIRCLIP, 5MM	1	
26%	93500040060H	SCREW, PAN 4X6	1	
27%	93500050160A	SCREW, PAN 5X16	1	
28%	93500050280A	SCREW, PAN 5X28	1	
30	9405006000	NUT, FLANGE 6MM	1	

# GX240U1SMX2 — CYLINDER BARREL ASSY

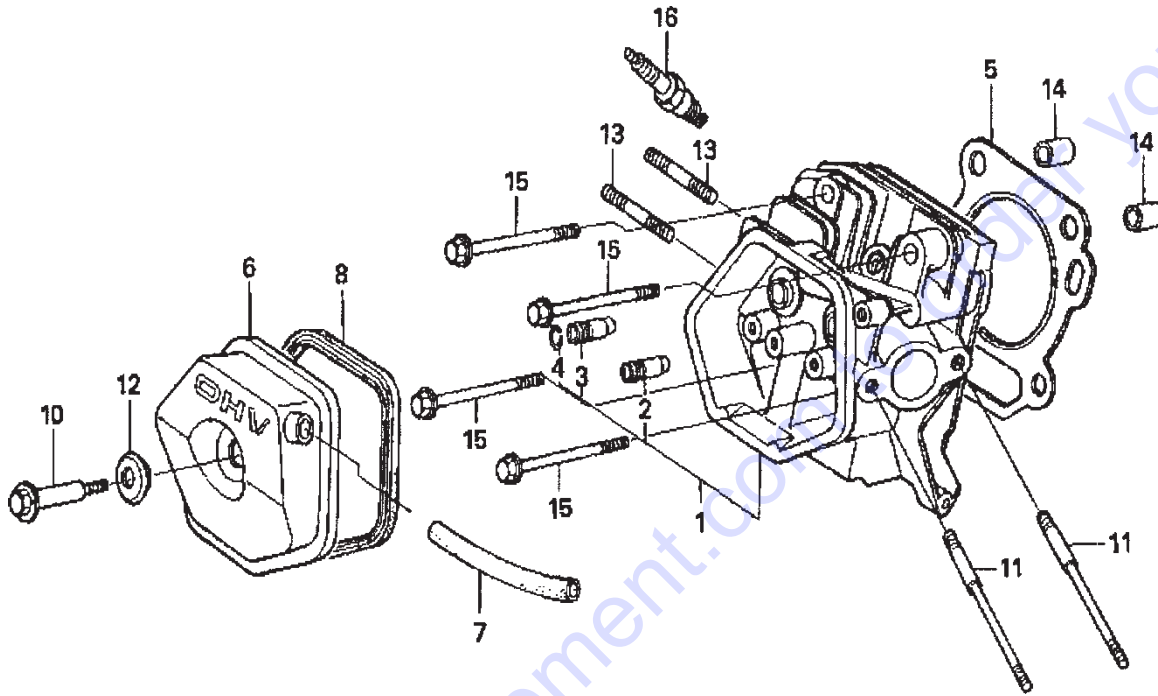




## GX240U1SMX2 — CYLINDER BARREL ASSY

<u>NO.</u>	<u>PART NO.</u>	<u>PART NAME</u>	<u>QTY.</u>	<u>REMARKS</u>
1	12000ZE2406	CYL. BARREL ASSY., OIL ALERT .....	1 .....	INCLUDES ITEMS W/ *
2	15510ZE2043	SWITCH ASSY., OIL LEVEL .....	1 .....	S/N 1174359 AND BELOW
2	15510ZE2053	SWITCH ASSY., OIL LEVEL .....	1 .....	S/N 1174360 AND ABOVE
3	16541ZE2010	SHAFT, GOVERNOR ARM	1	
5	34150ZH7003	ALERT UNIT, OIL .....	1 .....	S/N 1178305 AND BELOW
5	34150ZH7013	ALERT UNIT, OIL .....	1 .....	S/N 1178306 AND ABOVE
6	90013883000	BOLT, FLANGE 6X12 (CT200)	1	
7	90131883000	BOLT, DRAIN PLUG 12X15	2	
7	90131ZE3790	BOLT, DRAIN PLUG .....	1 .....	S/N 1207539 AND ABOVE
8	90446KE1000	WASHER, 8.2X17X0.8	1	
10*	91201890003	OIL SEAL, 30X46X8	1	
11	91353671004	O- RING 14MM (NOK)	1	
12	9405010000	NUT, FLANGE 10MM	1	
13	9410912000	WASHER, DRAIN PLUG 12MM	2	
14	9425110000	PIN, LOCK 10MM	1	
15	957010601200	BOLT, FLANGE	2	

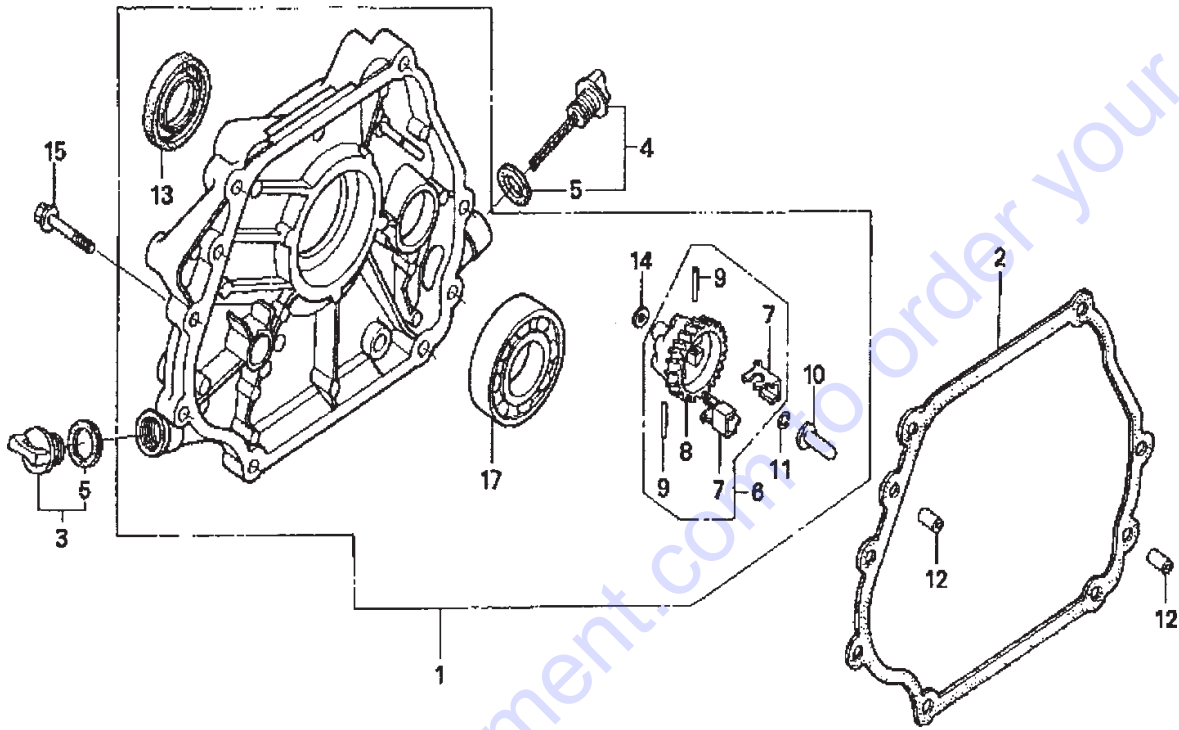
# GX240U1SMX2 — CYLINDER HEAD ASSY



## GX240U1SMX2 — CYLINDER HEAD ASSY

<u>NO.</u>	<u>PART NO.</u>	<u>PART NAME</u>	<u>QTY.</u>	<u>REMARKS</u>
1	12200ZH9405	HEAD COMP., CYLINDER .....	1 .....	INCLUDES ITEMS W/%
2%	12204ZE2306	GUIDE, IN. VALVE (O.S.)	1	
3%	12205ZE2305	GUIDE, EX. VALVE (O.S.)	1	
4%	12216ZE2300	CLIP, VALVE GUIDE	1	
5	12251ZE2800	GASKET, CYLINDER HEAD	1	
6	12310ZE2020	COVER COMP., HEAD	1	
7	950051110030	TUBE, 11X100 (95005-11001-30M)	1	
8	12391ZE2020	PACKING, HEAD COVER	1	
10	90014ZE2000	BOLT, HEAD COVER	1	
11	90042ZE2000	BOLT, STUD 8X23	2	
12	90441ZE2010	WASHER COMP., HEAD COVER	1	
13	92900080320E	BOLT, STUD 8X32	2	
14	9430112200	DOWEL PIN, 12X20	2	
15	957011008000	BOLT, FLANGE 10X80 .....	4 .....	S/N 1167471 AND ABOVE
15	957251008000	BOLT, FLANGE 10X80 .....	4 .....	S/N 1167470 AND BELOW
16	9807955846	PLUG, SPARK (BPR5ES) (NGK)	1	
16	9807955855	PLUG, SPARK (W16EPR-U) (DENSO)	1	
16	9807956846	PLUG, SPARK (BPR6ES) (NGK)	1	
16	9807956855	PLUG, SPARK (W20EPR-U) (DENSO)	1	

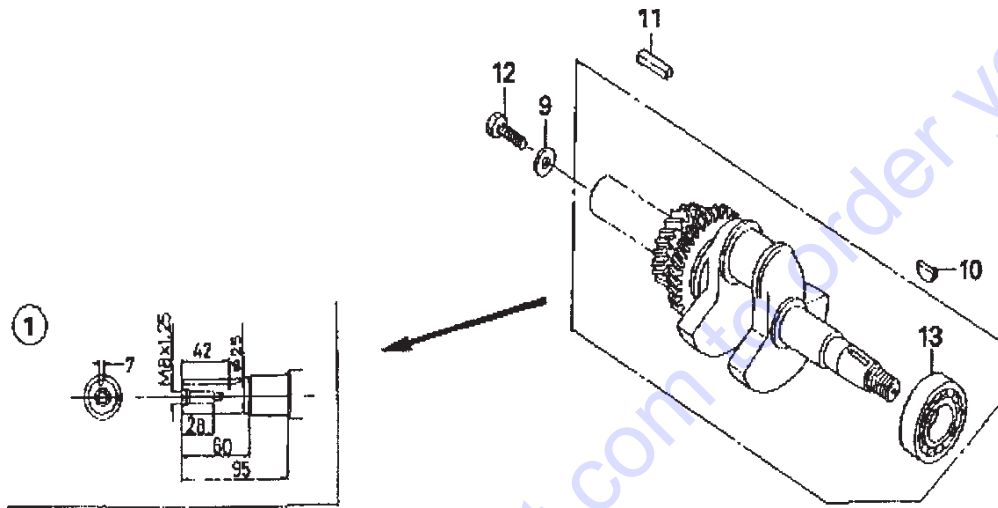
# GX240U1SMX2 — CRANKCASE COVER ASSY



## GX240U1SMX2 — CRANKCASE COVER ASSY

<u>NO.</u>	<u>PART NO.</u>	<u>PART NAME</u>	<u>QTY.</u>	<u>REMARKS</u>
1	11300ZE2020	COVER ASSY, CRANKCASE	1	INCLUDES ITEMS W/ * S/N 1207538 AND BELOW
1	11300ZH9S50	COVER ASSY, CRANKCASE .....	1 .....	INCLUDES ITEMS W/ * S/N 1207539 AND ABOVE
2	11381ZE2801	GASKET, CASE COVER	1	
3	15600ZG4003	CAP ASSEMBLY, OIL FILLER .....	1 .....	INCLUDES ITEMS W/ \$
4	15600735003	CAP ASSEMBLY, OIL FILLER .....	1 .....	INCLUDES ITEMS W/ #
5\$#	15625ZE1003	GASKET, OIL FILLER CAP	2	
6*	16510ZE2000	GOVERNOR ASSY.....	1 .....	INCLUDES ITEMS W/ +
7*+	16511ZE2000	WEIGHT, GOVERNOR	2	
8*+	16512ZE2000	HOLDER, GOVERNOR WEIGHT	1	
9*+	16513ZE2000	PIN, GOVERNOR WEIGHT	2	
10*	16531Z0A000	SLIDER, GOVERNOR	1	
11*	90602ZE1000	CLIP, GOVERNOR HOLDER	1	
12	90701HC4000	PIN, DOWEL 8 X12	2	
13*	91201890003	OIL SEAL 30X46X8	1	
14*	9410106800	WASHER, PLAIN 6MM	1	
15	957010803500	BOLT, FLANGE 8X35	7	
17*	961006206000	BEARING, RADIAL BALL 6206	1	

# GX240U1SMX2 — CRANKSHAFT ASSY



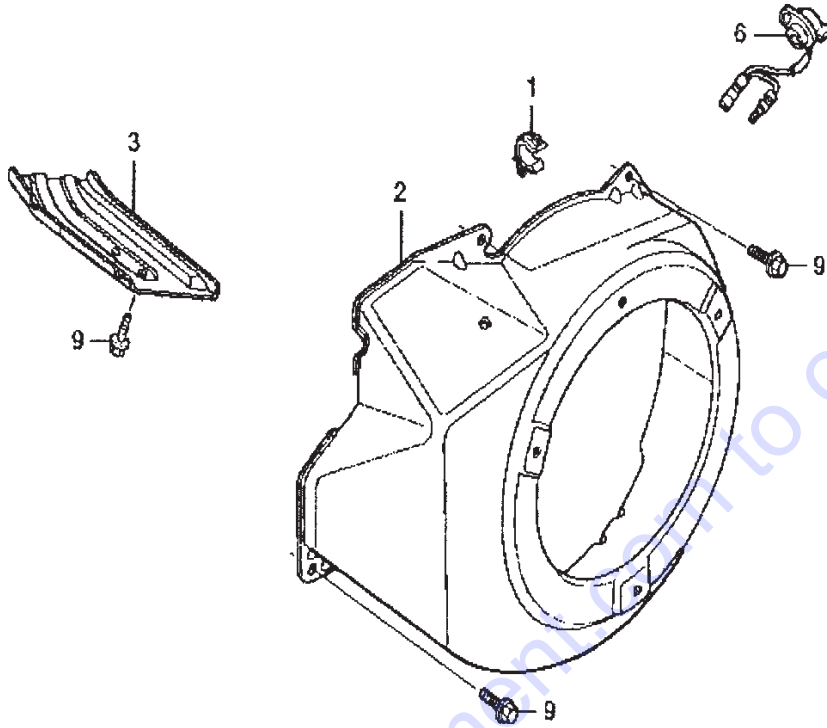
## GX240U1SMX2 — CRANKSHAFT ASSY

<u>NO.</u>	<u>PART NO.</u>	<u>PART NAME</u>	<u>QTY.</u>	<u>REMARKS</u>
1	13310ZE2010	CRANKSHAFT, COMP. ....	1 .....	S/N 1013858 AND BELOW INCLUDES ITEM W/ %
1	13310ZE2020	CRANKSHAFT, COMP. ....	1 .....	S/N 1013859 AND ABOVE INCLUDES ITEM W/ %
9	90534706010	WASHER, LOCK 8 MM	1	
10	90741ZE2000	KEY, SPECIAL WOODRUFF, 25X18	1	
11	90741805000	KEY, 7X7X33	1	
11	90741889810	KEY, 7X7X33 (YELLOW)	1	
12	92101080250A	BOLT, HEX 8X25	1	
13%	961006206000	BEARING, RADIAL BALL 6206	1	

Go to Discount-Equipment.com to order your parts



# GX240U1SMX2 — FAN COVER ASSY

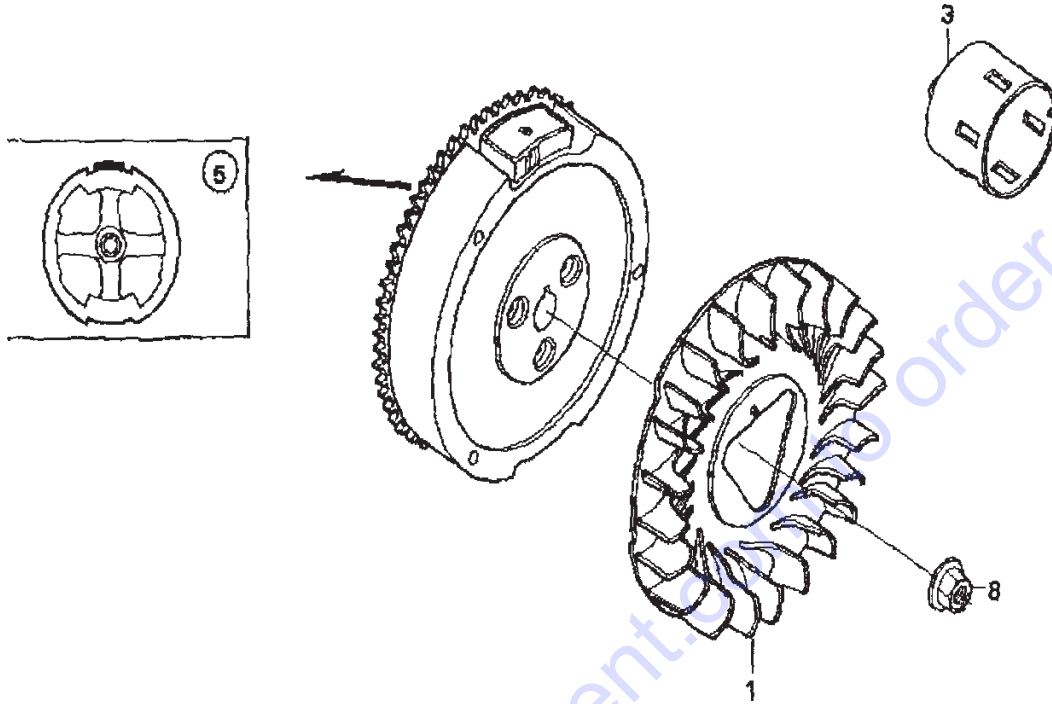


## GX240U1SMX2 — FAN COVER ASSY

<u>NO.</u>	<u>PART NO.</u>	<u>PART NAME</u>	<u>QTY.</u>	<u>REMARKS</u>
1	16731ZE2003	CLIP, TUBE	1	
2	19610ZE2010ZC	COVER COMP., FAN *NH1*	1	
3	19631ZE2D00	SHROUD	1	
6	36100ZF6P81	SWITCH ASSY., ENGINE STOP .....	1	S/N 1174498 AND BELOW
6	36100ZF6P82	SWITCH ASSY., ENGINE STOP .....	1	S/N 1174499 AND ABOVE
9	90013883000	BOLT, FLANGE 6X12 (CT200)	6	

Go to Discount-Equipment.com to order your parts

# GX240U1SMX2 — FLYWHEEL ASSY

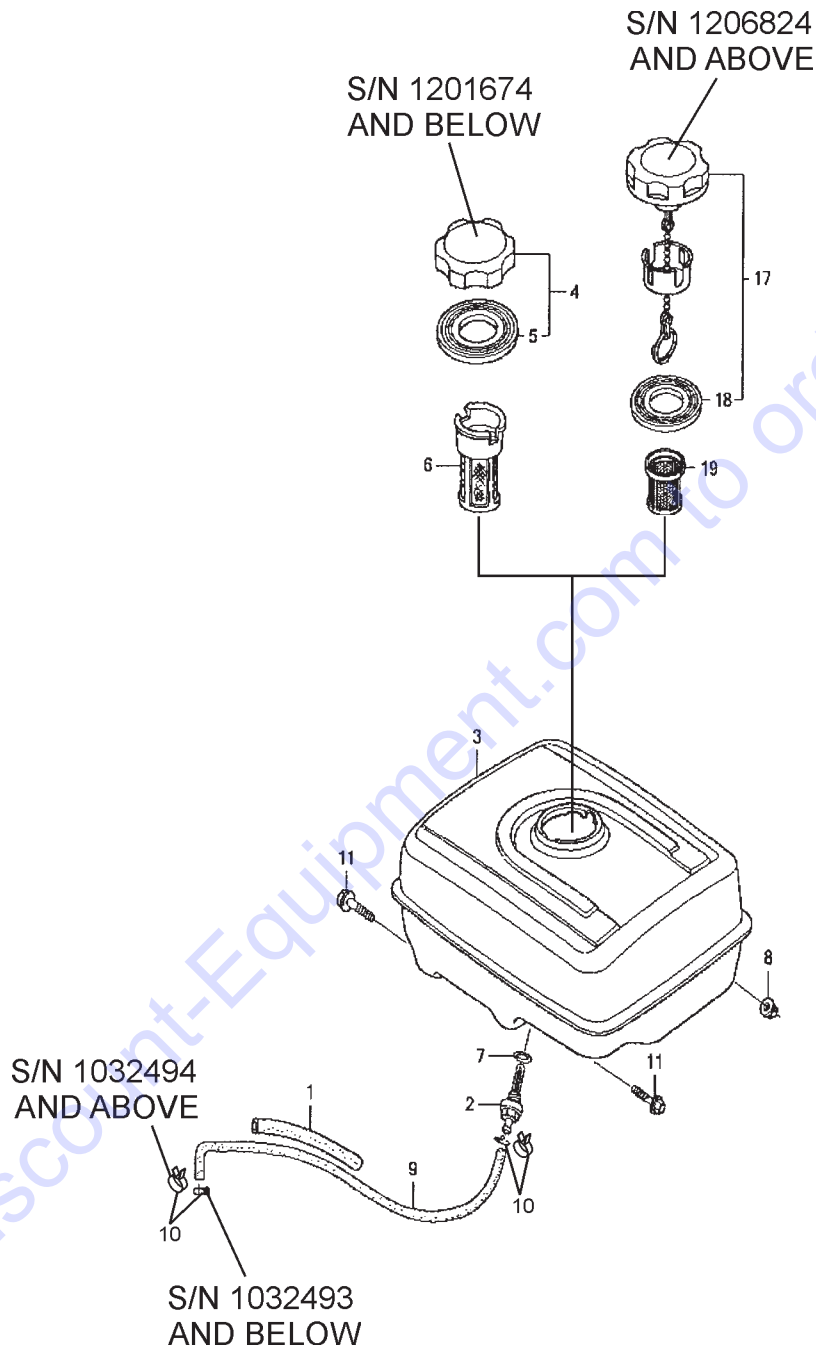


## GX240U1SMX2 — FLYWHEEL ASSY

<u>NO.</u>	<u>PART NO.</u>	<u>PART NAME</u>	<u>QTY.</u>	<u>REMARKS</u>
1	19511ZE2000	FAN, COOLING	1	
3	28451ZE2W01	PULLEY, STARTER	1	
5	31100ZE2010	FLYWHEEL COMP.	1	
8	90201ZE3V00	NUT, SPECIAL 16MM .....	1 .....	S/N AND BELOW 1131467
8	90201ZE3790	NUT, SPECIAL 16MM .....	1 .....	S/N AND ABOVE 1131468

Go to Discount-Equipment.com to order your parts

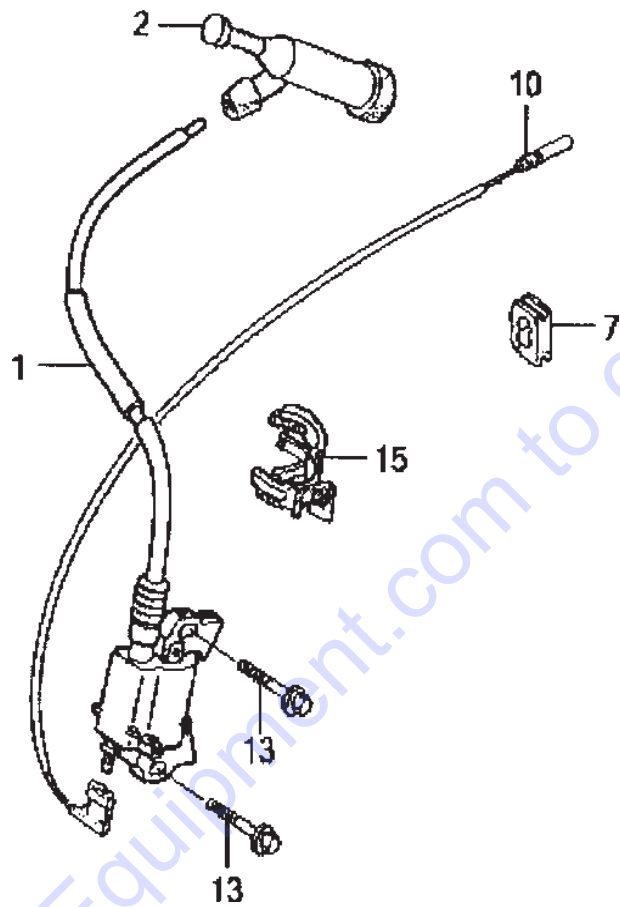
# GX240U1SMX2 — FUEL TANK ASSY



## GX240U1SMX2 — FUEL TANK ASSY

<u>NO.</u>	<u>PART NO.</u>	<u>PART NAME</u>	<u>QTY.</u>	<u>REMARKS</u>
1	16854ZH8000	RUBBER, SUPPORTER (107MM)	1	
2	16955ZE1000	JOINT, FUEL TANK	1	
3	17510ZE2020ZD	TANK COMP., FUEL *NH1*	1	S/N 1016062 AND BELOW
3	17510ZE2800ZA	TANK COMP., FUEL *NH1*	1	S/N 1016063 ~ 1161304
3	17510ZE2801ZA	TANK COMP., FUEL *NH1*	1	S/N 1161305 AND ABOVE
4	17620Z0T305	CAP COMP., FUEL FILLER	1	S/N 1201674 AND BELOW INCLUDES ITEM W/ #
5#	17631Z0T812	PACKING, FUEL FILLER CAP (39X62X3)	1	S/N 1201674 AND BELOW
6	17672ZE2W01	FILTER, FUEL	1	S/N 1201674 AND BELOW
7	91353671004	O- RING 14MM (NOK)	1	
8	9405008000	NUT, FLANGE 8MM	2	
9	950014522240	TUBE, FUEL 4.5X222 (95001-45001-60M)	1	S/N 1032493 AND BELOW
9	91424Z5F801	TUBE, FUEL 4.5X222 (FKM)	1	S/N 1032494 AND ABOVE
10	9500202080	CLIP, TUBE B8	2	S/N 1032493 AND BELOW
10	950024080008	CLAMP, TUBE D8	2	S/N 1032494 AND ABOVE
11	957010802500	BOLT, FLANGE 8X25	2	
17	17620Z4H010	CAP COMP., FUEL FILLER	1	S/N 1201675 ~ 1206823 INCLUDES ITEM W/ %
17	17620Z4H020	CAP COMP., FUEL FILLER	1	S/N 1206824 AND ABOVE INCLUDES ITEM W/ +
18%	17631Z4H800	PACKING, FUEL FILLER CAP (39X62X3)	1	S/N 1201675 ~ 1206823
18+	17631Z0T801	PACKING, FUEL FILLER CAP (39X62X3)	1	S/N 1206824 AND ABOVE
19	17672Z4H000	FILTER, FUEL	1	S/N 1201675 AND ABOVE

# GX240U1SMX2 — IGNITION COIL ASSY



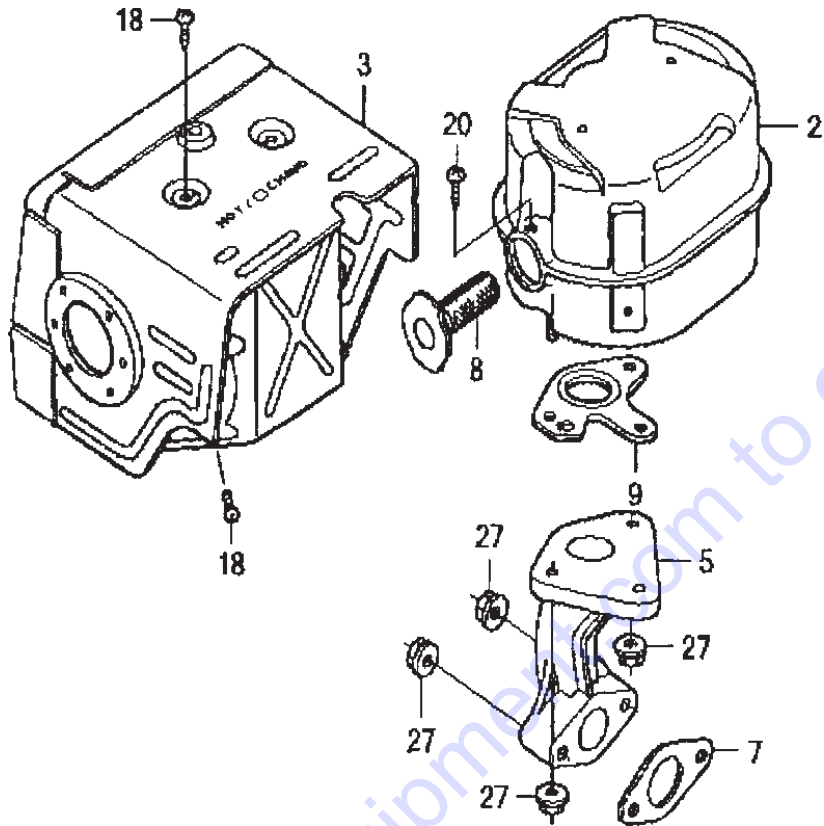


## GX240U1SMX2 — IGNITION COIL ASSY

<u>NO.</u>	<u>PART NO.</u>	<u>PART NAME</u>	<u>QTY.</u>	<u>REMARKS</u>
1	30500ZF6W02	COIL ASSY., IGNITION .....	1 .....	S/N 1167470 AND BELOW
1	30500ZF6W03	COIL ASSY., IGNITION .....	1 .....	S/N 1167471 AND ABOVE
2	30700ZE1013	CAP ASSY., NOISE SUPPRESSOR	1	
7	31512ZE2000	GROMMET, CORD	1	
10	36101ZE1010	CORD, STOP SWITCH (370MM)	1	
13	90015883000	BOLT, FLANGE 6X28	2	
15	90684ZA0601	CLIP, HARNESS	1	

Go to Discount-Equipment.com to order your parts

# GX240U1SMX2 — MUFFLER ASSY

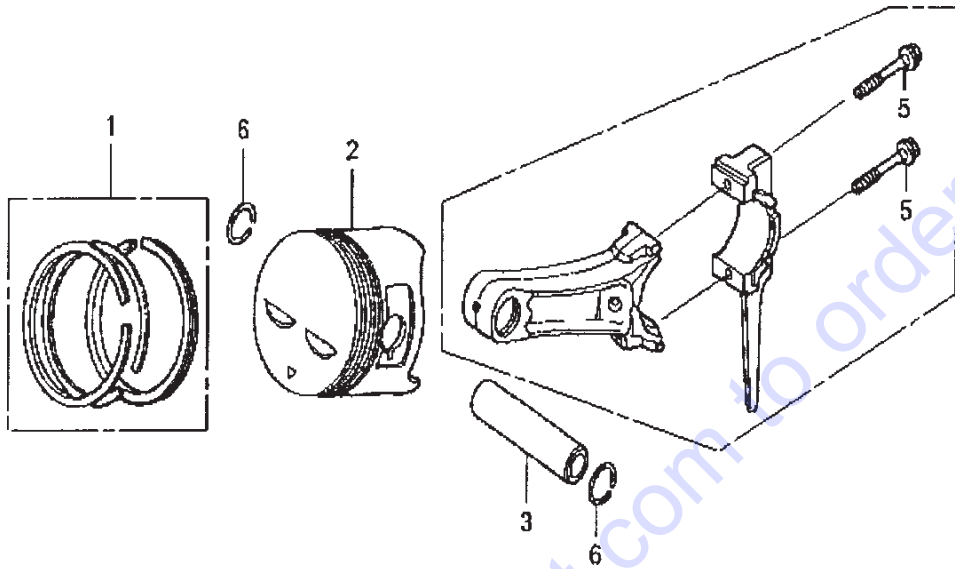


## GX240U1SMX2 — MUFFLER ASSY

<u>NO.</u>	<u>PART NO.</u>	<u>PART NAME</u>	<u>QTY.</u>	<u>REMARKS</u>
2	18310ZE2W00	MUFFLER COMP.	1	
3	18320ZE2W01	PROTECTOR COMP., MUFFLER (STD.)	1	
5	18330ZE2W00	PIPE, EX.	1	
7	18333ZE3800	GASKET, EX. PIPE	1	
8	18355ZE2010	ARRESTER, SPARK	1	
9	18381ZE2W10	GASKET, MUFFLER (ARRESTER)	1	
18	90050ZE1000	SCREW, TAPING 5X8	4	
20	90050ZE1000	SCREW, TAPING 5X8	1	
27	9405008000	NUT, FLANGE 8MM	5	

Go to Discount-Equipment.com to order your parts

# GX240U1SMX2 — PISTON ASSY

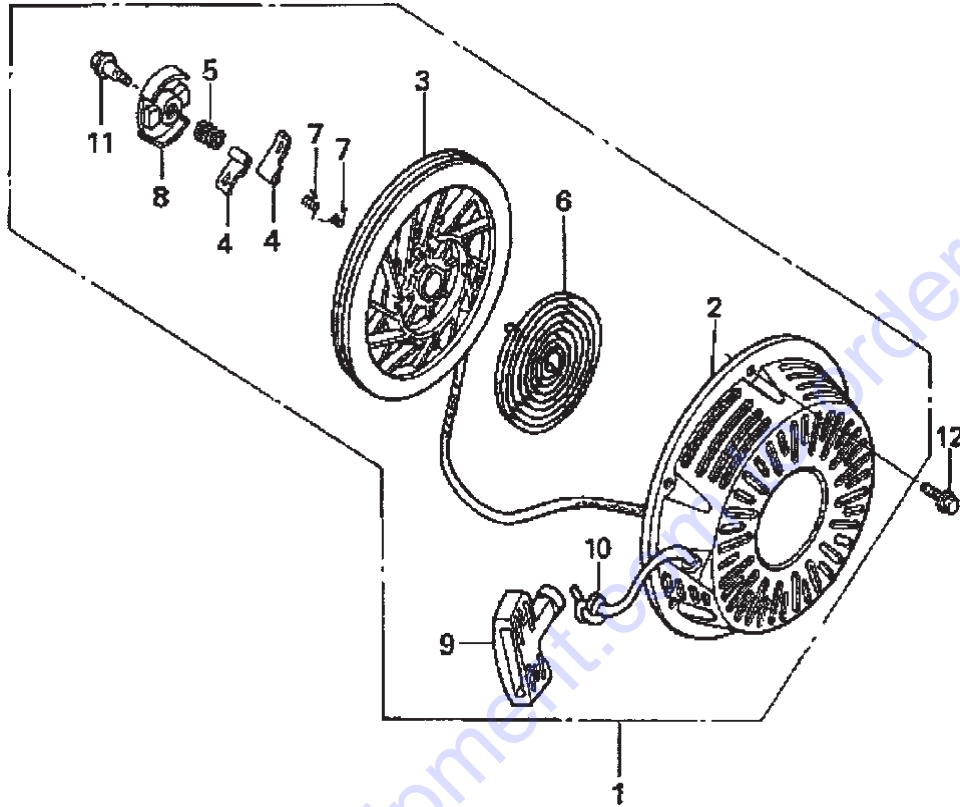


Go to Discount-Equipment.com to order your parts

## GX240U1SMX2 — PISTON ASSY

<u>NO.</u>	<u>PART NO.</u>	<u>PART NAME</u>	<u>QTY.</u>	<u>REMARKS</u>
1	13010ZE2921	RING SET, PISTON (STD.) .....	1	S/N 1194595 AND BELOW
1	13010Z5F004	RING SET, PISTON (STD.) .....	1	S/N 1194596 AND ABOVE
1	13011ZE2921	RING SET, PISTON (0.25) .....	1	S/N 1194595 AND BELOW
1	13011Z5F004	RING SET, PISTON (0.25) .....	1	S/N 1194596 AND ABOVE
1	13012ZE2921	RING SET, PISTON (0.50) .....	1	S/N 1194595 AND BELOW
1	13012Z5F004	RING SET, PISTON (0.50) .....	1	S/N 1194596 AND ABOVE
1	13013ZE2921	RING SET, PISTON (0.75) .....	1	S/N 1194595 AND BELOW
1	13013Z5F004	RING SET, PISTON (0.75) .....	1	S/N 1194596 AND ABOVE
2	13101ZE2W00	PISTON (STD.) .....	1	S/N 1194595 AND BELOW
2	13101ZE2W01	PISTON (STD.) .....	1	S/N 1194596 AND ABOVE
2	13102ZE2W00	PISTON (OS 0.25) .....	1	S/N 1194595 AND BELOW
2	13102ZE2W01	PISTON (OS 0.25) .....	1	S/N 1194596 AND ABOVE
2	13103ZE2W00	PISTON (OS 0.50) .....	1	S/N 1194595 AND BELOW
2	13103ZE2W01	PISTON (OS 0.50) .....	1	S/N 1194596 AND ABOVE
2	13104ZE2W00	PISTON (0.75) .....	1	S/N 1194595 AND BELOW
2	13104ZE2W01	PISTON (OS 0.75) .....	1	S/N 1194596 AND ABOVE
3	13111ZE2000	PIN, PISTON	1	
4	13200ZE2010	ROD ASSY., CONNECTING (STANDARD)	1	INCLUDES ITEMS W/ #
4	13200ZE2305	ROD ASSY., CONNECTING (0.25)	1	
5#	90001ZE8000	BOLT, CONNECTING ROD	2	
6	90551ZE1000	CLIP, PISTON PIN 18 MM	2	

# GX240U1SMX2 — RECOIL STARTER ASSY



Go to Discount-Equipment.com to order your parts

## GX240U1SMX2 — RECOIL STARTER ASSY

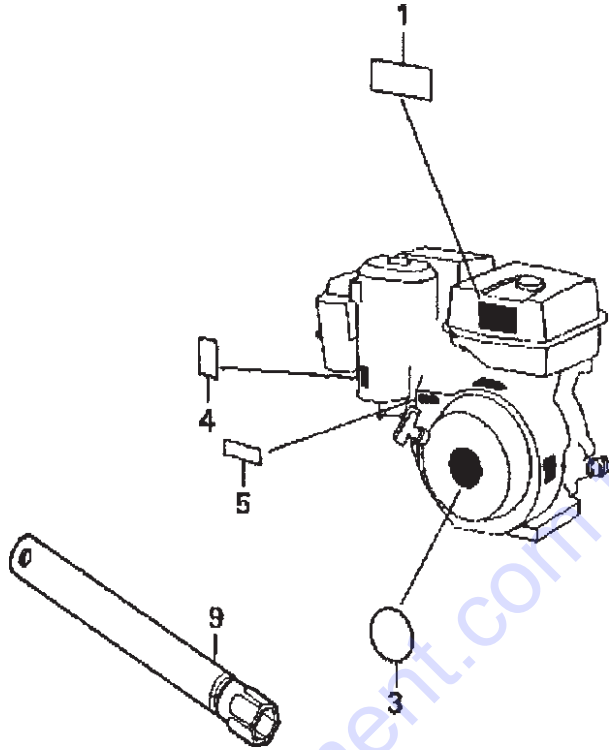
<u>NO.</u>	<u>PART NO.</u>	<u>PART NAME</u>	<u>QTY.</u>	<u>REMARKS</u>
1	28400ZE2W01ZB	STARTER ASSY., RECOIL *NH1* .....	1 .....	INCLUDES ITEMS W/ #
2#	28410ZE2W01ZB	CASE COMP., RECOIL STARTER *NH1*	1	
3#	28421ZE2W01	PULLEY, RECOIL STARTER	1	
4#	28422ZE2W01	RATCHET, STARTER	2	
5#	28441ZE2W01	SPRING, FRICTION	1	
6#	28442ZE2W01	SPRING, STARTER RETURN	1	
7#	28443ZE2W01	SPRING, RATCHET	2	
8#	28444ZE2W01	RETAINER, SPRING	1	
9#	28461ZE2W02	GRIP, STARTER	1	
10#	28462ZE2W11	ROPE, RECOIL STARTER	1	
11#	90004ZE2W01	SCREW, CENTER	1	
12	90008ZE2003	BOLT, FLANGE 6X10	3	

Go to Discount-Equipment.com to order your parts



## GX240U1SMX2 — LABEL/TOOL ASSY

---



## GX240U1SMX2 — LABEL/TOOL ASSY

---

<u>NO.</u>	<u>PART NO.</u>	<u>PART NAME</u>	<u>QTY.</u>	<u>REMARKS</u>
1	87516ZH7000	MARK, OPERATOR CAUTION	1	
3	87521ZE2W03	EMBLEM, (GX240 HONDA 8.0) .....	1 .....	S/N 1167470 AND BELOW
3	87521ZE2W04	EMBLEM (GX240) .....	1 .....	S/N 1167471 AND ABOVE
4	87528ZH7000	MARK, CHOKE (GRAY)	1	
5	87532ZH7000	MARK, THROTTLE INDICATION	1	
9	89218ZE1000	WRENCH COMP., SPARK PLUG	1	

Go to Discount-Equipment.com to order your parts

# PARTS FINDER

**Search Website  
by Part Number**



**Search Manual  
Library For Parts  
Manual & Lookup Part  
Numbers – Purchase  
or Request Quote**

**Search Manuals**

Enter your information to help us find the right parts manual for your machine.

\* Brand:

\* Model:

\* Serial:

\* Part Number:

SEARCH

**Can't Find Part or  
Manual? Request Help  
by Manufacturer,  
Model & Description**

**Parts Order Form**

Please fill in the following information to help us find the right part for your machine.

Manufacturer:	<input type="text"/>
Model:	<input type="text"/>
Description:	<input type="text"/>
Part Number:	<input type="text"/>
Quantity:	<input type="text"/>
Notes:	<input type="text"/>

SEARCH

Discount-Equipment.com is your online resource for quality parts & equipment.

Florida: **561-964-4949** Outside Florida TOLL FREE: **877-690-3101**

**Need parts?**

Click on this link: <http://www.discount-equipment.com/category/5443-parts/> and choose one of the options to help get the right parts and equipment you are looking for. Please have the machine model and serial number available in order to help us get you the correct parts. If you don't find the part on the website or on one of the online manuals, please fill out the request form and one of our experienced staff members will get back to you with a quote for the right part that your machine needs.

We sell worldwide for the brands: Genie, Terex, JLG, MultiQuip, Mikasa, Essick, Whiteman, Mayco, Toro Stone, Diamond Products, Generac Magnum, Airman, Haulotte, Barreto, Power Blanket, Nifty Lift, Atlas Copco, Chicago Pneumatic, Allmand, Miller Curber, Skyjack, Lull, Skytrak, Tsurumi, Husquvarna Target, Stow, Wacker, Sakai, Mi-T-M, Sullair, Basic, Dynapac, MBW, Weber, Bartell, Bennar Newman, Haulotte, Ditch Runner, Menegotti, Morrison, Contec, Buddy, Crown, Edco, Wyco, Bomag, Laymor, EZ Trench, Bil-Jax, F.S. Curtis, Gehl Pavers, Heli, Honda, ICS/PowerGrit, IHI, Partner, Imer, Clipper, MMD, Koshin, Rice, CH&E, General Equipment, Amida, Coleman, NAC, Gradall, Square Shooter, Kent, Stanley, Tamco, Toku, Hatz, Kohler, Robin, Wisconsin, Northrock, Oztec, Toker TK, Rol-Air, APT, Wylie, Ingersoll Rand / Doosan, Innovatech, Con X, Ammann, Mecalac, Makinex, Smith Surface Prep, Small Line, Wanco, Yanmar