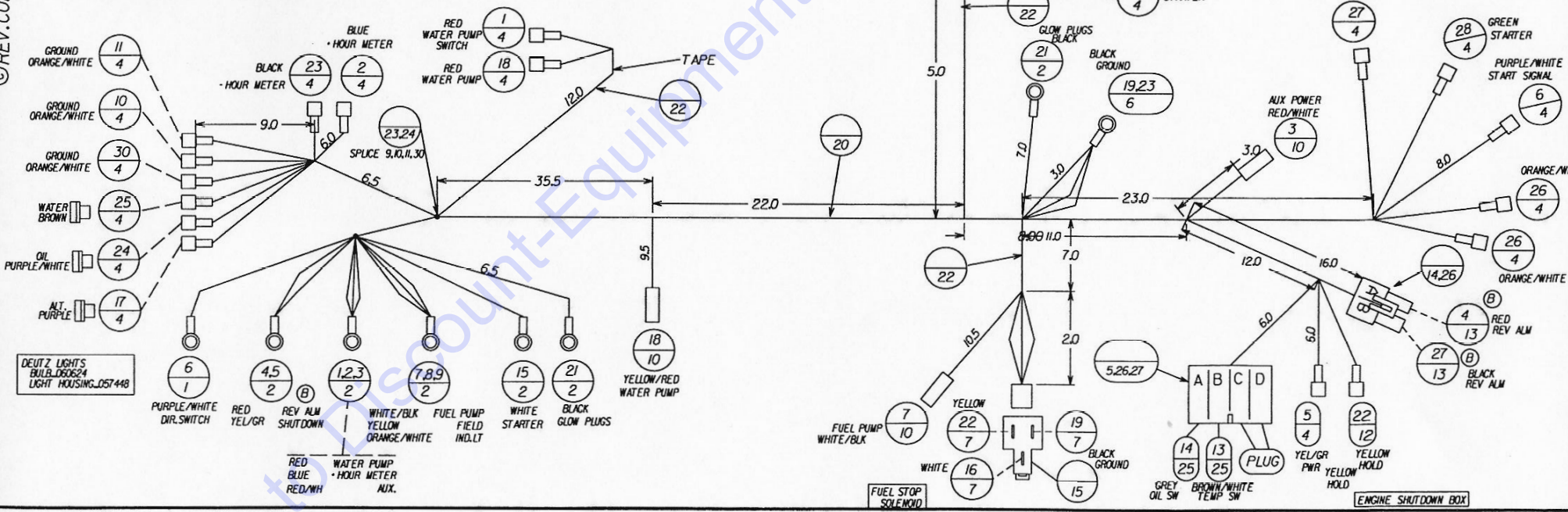


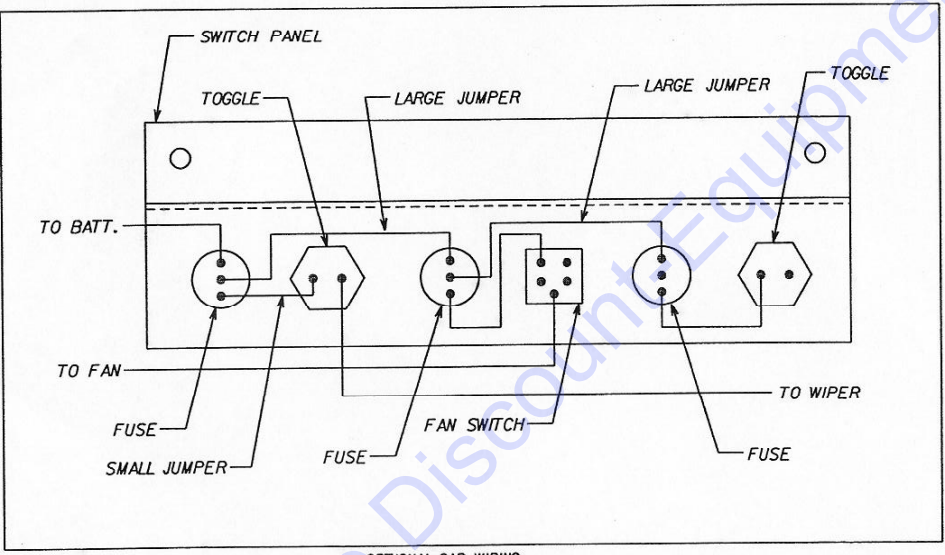
Date: 1/15/99 Dwn: JKD Ck: ECK  
 Date: 5-4-99 BES  
 Date: 3-25-02 BES  
 Date: 7-22-02 BES  
 Rev. Description  
 A ECN 1047  
 B ECN 1149  
 C ECN 1154  
 © REV. CODE -004 & EARLIER  
 Fairview, Oklahoma U.S.A.  
 0.00 0.000 0.015  
 .062 .015 .5  
 Angles  
 Matl.

377077  
1 of 2

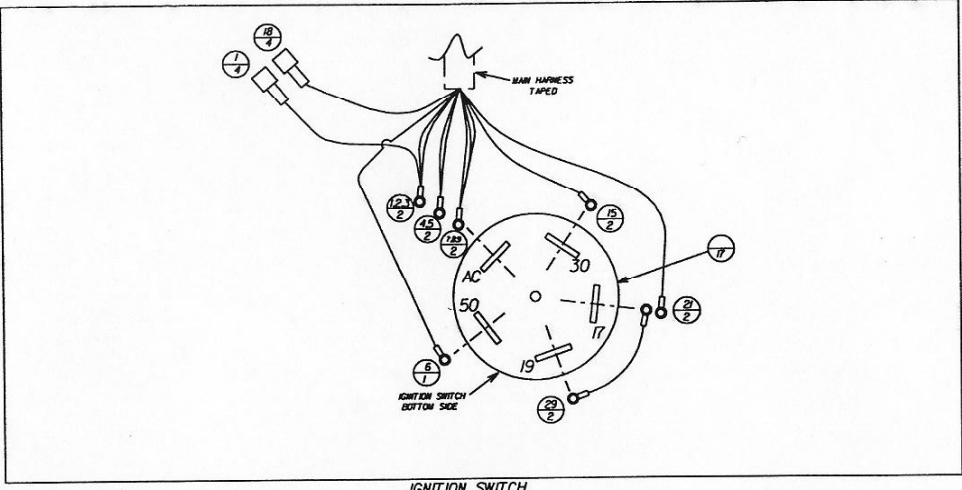
WIRE LEGEND				TERMINAL LEGEND				
NO.	COLOR	GAUGE	L	PART NO.	NO.	QTY.	PART NO.	DESCRIPTION
1	RED	16	2	036541	1	2	036467	*10 RING 16-14 GA.
2	BLUE	16	12.5	036574	2	9	036491	*10 RING 12-10 GA.
3	RED/WHITE	16	84	042622	3	1	041871	25 RING 12-10 GA.
4	RED	16	97	036541	4	17	VO1162900	25 FEMALE 18-14 GA.(FULLY INS.)TERM.
5	YELLOW/GREEN	16	99	030411	5	1	454199	4-PIN WEATHERPACK FEMALE
6	PURPLE/WHITE	14	101	030502	6	3	VO1163700	31 RING 10-12 GA. TERMINAL
7	WHITE/BLK	16	78	030460	7	5	442228	25 FEMALE SUIDE 16-14 GA.(BARE)
8	YELLOW	16	82	030403	8			
9	ORANGE/WHITE	16	14	047639	9			
10	ORANGE/WHITE	16	4.5	047639	10	3	068205	FEMALE BULLET 16-14 GA.
11	ORANGE/WHITE	16	4.5	047639	11	1	077859	25 FEMALE SUIDE 12-10 GA. INSULATED
12	RED	10	15.5	036632	12	1	VO1162800	25 MALE SUIDE.16 GA FULLY INSUL.
13	BROWN/WHITE	16	62	042606	13	2	442152	FEMALE WEATHERPACK TERMINAL
14	GREY	16	57	036608	14	1	454215	2-PIN WEATHERPACK MALE
15	WHITE	10	74	067637	15	1	457150	3 CONTACT QUICK CONNECT MALE
16	WHITE	16	23	036582	16	1	457168	2 CONTACT QUICK CONNECT MALE
17	PURPLE	16	88.5	030445	17	1	9101497	IGNITION SWITCH WITH KEYS
18	YELLOW/RED	16	55	030429	18	5*	458638	HEAT SHRINK, FOR IGNITION SWITCH
19	BLACK	16	9	036525	19			(NOT SHOWN)
20	BLACK	10	77	036624	20	9.5'	448571	LOOM, ROUND IT 50 DIA.
21	YELLOW	16	35	030403	21	80	066720	CABLE TIES -SMALL (NOT SHOWN)
22	BLACK	16	73.5	036525	22	2.5'	457556	LOOM, ROUND IT 31 DIA.
23	PURPLE/WHITE	16	88.5	030486	23	1	052910	SPLICE, 10 GA BARE
24	PURPLE/WHITE	16	93.5	036533	24	2'	445544	HEAT SHRINK, .38
25	BROWN	16	93.5	036533	25	2	442160	MALE WEATHERPACK TERMINAL
26	ORANGE/WHITE	16	16	047639	26	4	442145	SEAL
27	BLACK	16	36	036525	27	2	442178	PLUG
28	GREEN	14	52	454330				
29	BLACK	10	2	036624				
30	ORANGE/WHITE	16	4.5	047639				
31								



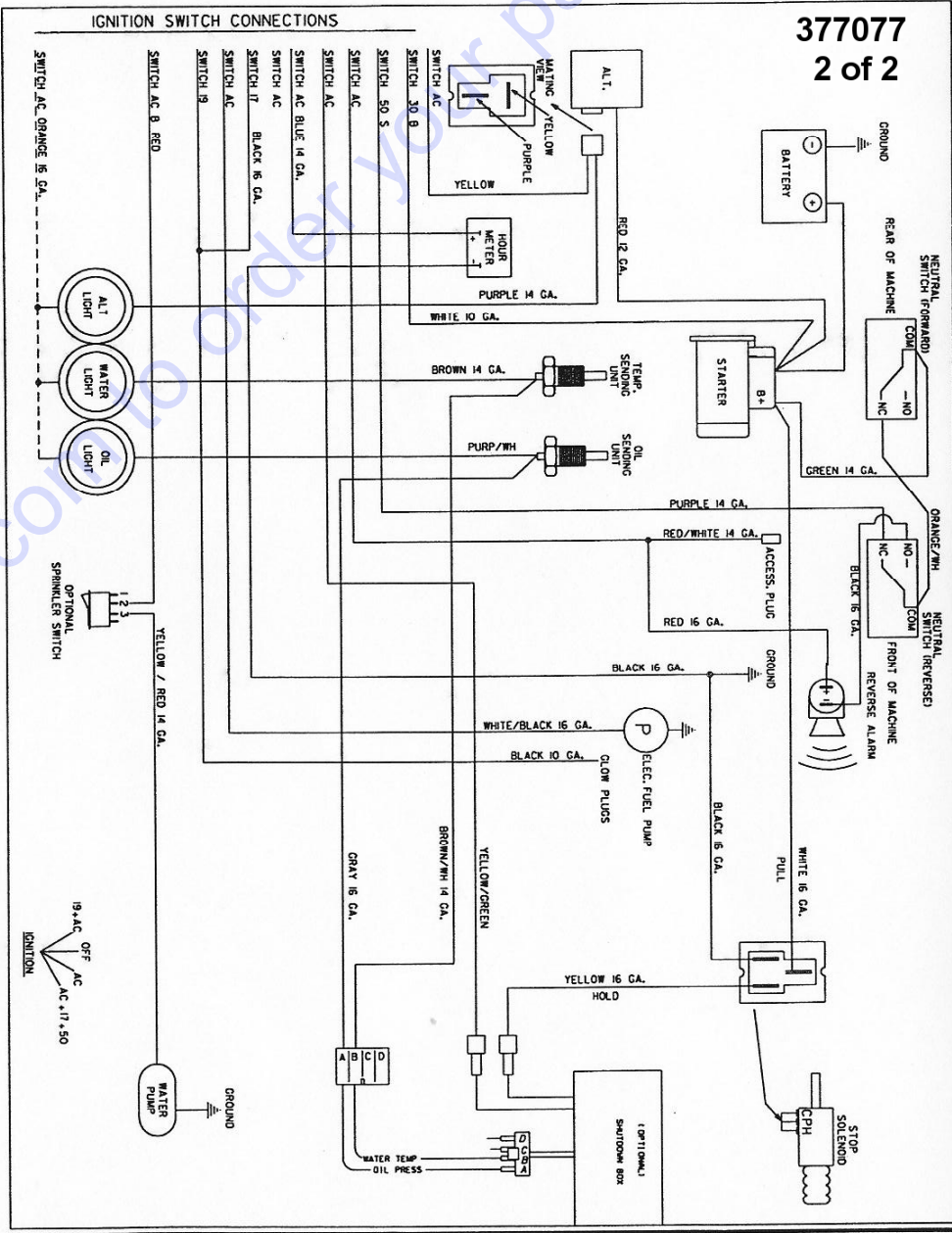
Date: 1-15-99 Dwn. JKD Ck. ECK  
 Fairview, Oklahoma U.S.A. Rev. Description (SEE SHEET 1)  
 0000 0015  
 Angles + + 5  
 © REV. CODE -004 & EARLIER  
 Manl.



OPTIONAL CAB WIRING



IGNITION SWITCH DIAGRAM



Go to Discount Equipment.com to order your parts

# PARTS FINDER

**Search Website  
by Part Number**



**Search Manual  
Library For Parts  
Manual & Lookup Part  
Numbers – Purchase  
or Request Quote**

**Search Manuals**

Enter your information to help us find the right parts manual for your machine.

\* Brand:

\* Model:

\* Serial:

\* Part Number:

SEARCH

**Can't Find Part or  
Manual? Request Help  
by Manufacturer,  
Model & Description**

**Parts Order Form**

Please fill in the following information to help us find the right part for your machine.

Manufacturer:	<input type="text"/>
Model:	<input type="text"/>
Description:	<input type="text"/>
Part Number:	<input type="text"/>
Quantity:	<input type="text"/>
Notes:	<input type="text"/>

Submit

Discount-Equipment.com is your online resource for quality parts & equipment.

Florida: **561-964-4949** Outside Florida TOLL FREE: **877-690-3101**

**Need parts?**

Click on this link: <http://www.discount-equipment.com/category/5443-parts/> and choose one of the options to help get the right parts and equipment you are looking for. Please have the machine model and serial number available in order to help us get you the correct parts. If you don't find the part on the website or on one of the online manuals, please fill out the request form and one of our experienced staff members will get back to you with a quote for the right part that your machine needs.

We sell worldwide for the brands: Genie, Terex, JLG, MultiQuip, Mikasa, Essick, Whiteman, Mayco, Toro Stone, Diamond Products, Generac Magnum, Airman, Haulotte, Barreto, Power Blanket, Nifty Lift, Atlas Copco, Chicago Pneumatic, Allmand, Miller Curber, Skyjack, Lull, Skytrak, Tsurumi, Husquvarna Target, Stow, Wacker, Sakai, Mi-T-M, Sullair, Basic, Dynapac, MBW, Weber, Bartell, Bennar Newman, Haulotte, Ditch Runner, Menegotti, Morrison, Contec, Buddy, Crown, Edco, Wyco, Bomag, Laymor, EZ Trench, Bil-Jax, F.S. Curtis, Gehl Pavers, Heli, Honda, ICS/PowerGrit, IHI, Partner, Imer, Clipper, MMD, Koshin, Rice, CH&E, General Equipment, Amida, Coleman, NAC, Gradall, Square Shooter, Kent, Stanley, Tamco, Toku, Hatz, Kohler, Robin, Wisconsin, Northrock, Oztec, Toker TK, Rol-Air, APT, Wylie, Ingersoll Rand / Doosan, Innovatech, Con X, Ammann, Mecalac, Makinex, Smith Surface Prep, Small Line, Wanco, Yanmar