

# Genie® GS™ -1930 & GS-1932

## Specifications

Models	GS-1930		GS-1932	
Measurements	US	Metric	US	Metric
Working height max. - indoor <sup>(1)</sup>	25 ft 3 in	7.85 m	25 ft 3 in	7.85 m
Working height max. - outdoor <sup>(1)</sup>	20 ft 8 in	6.47 m	20 ft 8 in	6.47 m
<b>A</b> Platform height max. - indoor	19 ft 3 in	5.85 m	19 ft 3 in	5.85 m
<b>A</b> Platform height max. - outdoor	14 ft 8 in	4.47 m	14 ft 8 in	4.47 m
<b>B</b> Platform height - stowed	3 ft 5 in	1.04 m	3 ft 5 in	1.04 m
<b>C</b> Platform length - outside	5 ft 5 in	1.64 m	5 ft 5 in	1.66 m
<b>C</b> Platform length - outside, extended	8 ft 5 in	2.55 m	8 ft 5 in	2.55 m
Slide-out platform extension deck - length	2 ft 11.8 in	0.91 m	3 ft	0.91 m
<b>D</b> Platform width - outside	2 ft 5.9 in	0.76 m	29.9 in	0.76 m
Guardrail height	3 ft 7 in	1.10 m	3 ft 7 in	1.10 m
Toeboard height	6 in	15 cm	6 in	15 cm
<b>E</b> Machine Height - stowed (folding rails)	7 ft 1 in	2.16 m	7 ft 1 in	2.16 m
Machine Height - stowed (rails lowered)	5 ft 11 in	1.80 m	5 ft 11 in	1.80 m
<b>F</b> Length machine - stowed	6 ft	1.83 m	6 ft	1.83 m
<b>F</b> Length machine - stowed, extended	8 ft 11 in	2.73 m	8 ft 11 in	2.72 m
<b>G</b> Width	2 ft 6.2 in	0.77 m	32.2 in	0.82 m
<b>H</b> Wheelbase	4 ft 4 in	1.32 m	4 ft 4 in	1.32 m
<b>I</b> Ground clearance (center) - pothole guards retracted	3.2 in	8 cm	3.2 in	8 cm
<b>I</b> Ground clearance - pothole guards deployed	0.9 in	2.30 cm	0.9 in	2.30 cm

### Productivity

Max. platform occupancy (in/out)	2/1		2/1	
Lift capacity	500 lb	227 kg	500 lb	227 kg
Lift capacity - extension deck extended	250 lb	113 kg	250 lb	113 kg
Max. platform drive height	19 ft 3 in	5.85 m	19 ft 3 in	5.85 m
Drive speed - stowed	2.5 mph	4.0 km/h	2.5 mph	4.0 km/h
Drive speed - raised	0.5 mph	0.8 km/h	0.5 mph	0.8 km/h
Gradeability - stowed <sup>(2)</sup>	25%		25%	
Turning radius - inside/outside	0/5 ft 1 in	0/1.55 m	0/5 ft 1 in	0/1.55 m
Lifting speed - raise/lower	26/22 sec		26/22 sec	
Tilt sensor activation (front to back/side to side)	3°/1.5°		3°/1.5°	
Tires - solid non-marking	12×4.5 in	31×11 cm	12×4.5 in	30.5×11.5 cm

### Power

Power - FLA	24V DC (4×6V 210Ah)	24V DC (4×6V 210Ah)
Power - Lithium-Ion	24V DC (1×24V 90Ah)	24V DC (1×24V 90Ah)
Hydraulic tank capacity (E-Drive)	1 gal	3.8L

### Weight<sup>(3)</sup> and Floor Loading<sup>(4)</sup>

Weight	3,209 lb	1,456 kg	2,929 lb	1,329 kg
Weight max. (adding all possible options)	3,354 lb	1,521 kg	3,205 lb	1,454 kg
Tire load max.	1,483 lb	672 kg	1,473 lb	668 kg
Tire contact pressure	165 psi	1,136 kPa	164 psi	1,128 kPa
Occupied floor pressure	287 psf	13.73 kPa	258 psf	12.38 kPa

### Sound and Vibration Levels

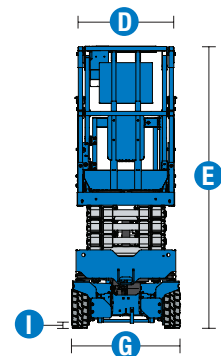
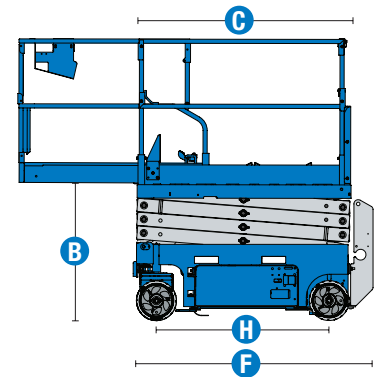
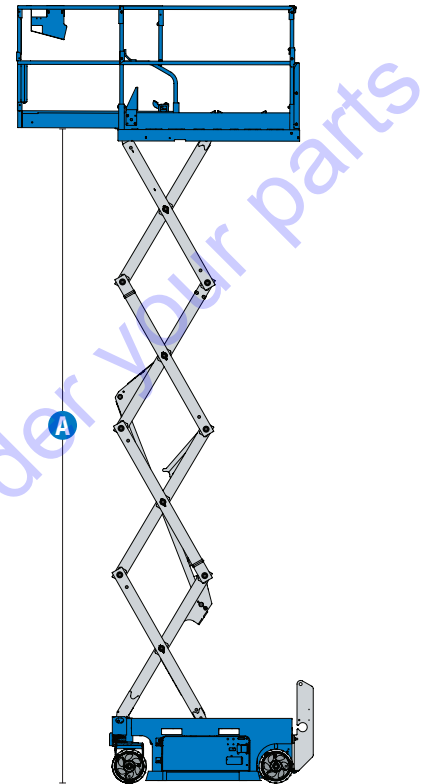
Sound Pressure level (ground workstation)	< 70 dBA		< 70 dBA	
Sound Pressure level (platform workstation)	< 70 dBA		< 70 dBA	
Vibrations	< 8 ft 2 in/s <sup>2</sup>	< 2.5 m/s <sup>2</sup>	< 8 ft 2 in/s <sup>2</sup>	< 2.5 m/s <sup>2</sup>

(1) The metric equivalent of working height adds 2 m to platform height. US adds 6 ft to platform height.

(2) Gradeability applies to driving on slopes and may vary depending on options and machine configurations. See operator's manual for details regarding slope ratings.

(3) Weight refers to standard configuration and may vary depending on options and/or country standards.

(4) Floor loading information is approximate and may vary depending on options and machine configurations. It should be used only with adequate safety factors.



# Genie® GS™ -1930 & GS-1932

**SKU: Standard Model**

- GS-1930, E-Drive\*

\* Build to Order

**SKU: Standard Model**

- **GS1932E1AE0002:** GS-1932, E-Drive

Option availability	S	S+	BtO
<b>Power</b>			
Standard FLA flooded lead acid batteries	✓	✓	✓
AGM Maintenance-free batteries		○	○
Lithium-Ion battery			○
Drive cut-out while charging		○	○
Power Inverter		○	○
Rear recessed charger receptacle	✓	✓	✓
<b>Platform</b>			
Xtra Height (XH) Full Height Outdoor (GS-1932)	✓	✓	✓
Folding rails, Half-height swing gate	✓	✓	✓
Slide out extension deck	✓	✓	✓
Air line to platform			○
Automotive-style horn		○	○
AC power to platform	✓	✓	✓
Descent, tilt and motion alarm	✓	✓	✓
Diamond plate platform deck	✓	✓	✓
Dual LED flashing beacons	✓	✓	✓
Electric horn	✓	✓	✓
Lanyard attachment points	✓	✓	✓
Platform control guard (PCON)	✓	✓	✓
Platform load sense system	✓	✓	✓
Proportional drive and lift	✓	✓	✓
SmartLink dual zone control system	✓	✓	✓
<b>Chassis</b>			
Lift Connect Telematics		○	○
Lift Connect with Access Manager upgrade		○	○
Biodegradable hydraulic oil			○
EE Certification (Hydraulic drive)			○
Lift Guard White Noise Alarm		○	○
Lift Tools Spill Guard (E-Drive)			○
Auxiliary platform lowering	✓	✓	✓
Driveable at full height	✓	✓	✓
Dual front wheel sealed AC electric drive motors (E-Drive)	✓	✓	✓
Electric brake release (E-Drive)	✓	✓	✓
On board diagnostic system with battery charge indicator	✓	✓	✓
Pothole protection	✓	✓	✓
Side and rear fork pockets	✓	✓	✓
Solid non-marking tires	✓	✓	✓
Tech Pro Link connector	✓	✓	✓
Tie-down and lifting points	✓	✓	✓

- S Standard
- S+ Standard +
- BtO Build to Order
- ✓ Standard Features
- Options



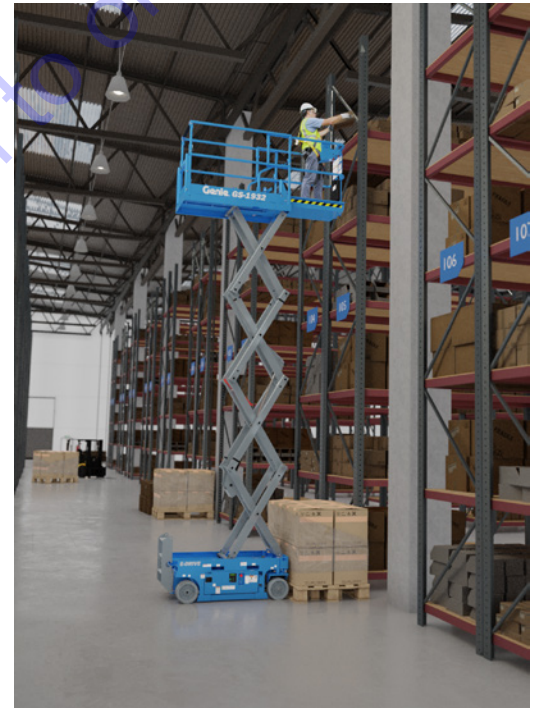
Indoor & Outdoor Use



Side Forklift Pockets



Optional E-Drive



Genie Genuine Accessories<sup>(1)</sup>

- Lift Tools Productivity Tools
- Lift Connect Telematics
- Tech Pro Link Handheld Device

(1) More accessories available from Genie Genuine Parts.



[www.discount-equipment.com](http://www.discount-equipment.com)

Product specifications are subject to change without notice or obligation. Photographs and/or drawings herein are for illustrative purposes only. Refer to the appropriate Operator's Manual for instructions on proper equipment use. Failure to follow instructions in the Operator's Manual may result in serious injury or death. The only warranty applicable to our equipment is the standard written warranty applicable to the particular product and sale and we make no other warranty, express or implied. Products and services listed may be trademarks, service marks or trade names of Terex Corporation and/or their subsidiaries in the USA and many other countries. Terex, Genie, Quality By Design, Xtra Capacity, Lift Power, Lift Guard, Lift Tools, Lift Connect and Tech Pro Link are registered trademarks of Terex Corporation or its subsidiaries.

**TO PURCHASE THIS PRODUCT PLEASE CONTACT US**



**Equipment Financing and  
Extended Warranties Available**



**Discount-Equipment.com is your online resource for  
commercial and industrial quality parts and equipment sales.**

**561-964-4949**

**visit us on line @ [www.discount-equipment.com](http://www.discount-equipment.com)**

Select an option below to find your Equipment

**Search by Manufacturer**

**Search by Product Type**

**Request a Quote**

We sell worldwide for the brands: Genie, Terex, JLG, MultiQuip, Mikasa, Essick, Whiteman, Mayco, Toro Stone, Diamond Products, Generac Magnum, Airman, Haulotte, Barreto, Power Blanket, Nifty Lift, Atlas Copco, Chicago Pneumatic, Allmand, Miller Curber, Skyjack, Lull, Skytrak, Tsurumi, Husquvarna Target, Stow, Wacker, Sakai, Mi-T-M, Sullair, Basic, Dynapac, MBW, Weber, Bartell, Bennar Newman, Haulotte, Ditch Runner, Menegotti, Morrison, Contec, Buddy, Crown, Edco, Wyco, Bomag, Laymor, EZ Trench, Bil-Jax, F.S. Curtis, Gehl Pavers, Heli, Honda, ICS/PowerGrit, IHI, Partner, Imer, Clipper, MMD, Koshin, Rice, CH&E, General Equipment, Amida, Coleman, NAC, Gradall, Square Shooter, Kent, Stanley, Tamco, Toku, Hatz, Kohler, Robin, Wisconsin, Northrock, Oztec, Toker TK, Rol-Air, APT, Wylie, Ingersoll Rand / Doosan, Innovatech, Con X, Ammann, Mecalac, Makinex, Smith Surface Prep, Small Line, Wanco, Yanmar