

CP512-300 / CP514-350 CP512-300i / CP514-350i

INSTRUCTION MANUAL
INSTRUCTIONS D'EMPLOI
MANUAL DE INSTRUCCIONES

en

fr

es



NORTON
SAINT-GOBAIN®

clipper®

TO PURCHASE THIS PRODUCT PLEASE CONTACT US



**Equipment Financing and
Extended Warranties Available**



**Discount-Equipment.com is your online resource for
commercial and industrial quality parts and equipment sales.**

561-964-4949

visit us on line @ www.discount-equipment.com

Select an option below to find your Equipment

Search by Manufacturer

Search by Product Type

Request a Quote

We sell worldwide for the brands: Genie, Terex, JLG, MultiQuip, Mikasa, Essick, Whiteman, Mayco, Toro Stone, Diamond Products, Generac Magnum, Airman, Haulotte, Barreto, Power Blanket, Nifty Lift, Atlas Copco, Chicago Pneumatic, Allmand, Miller Curber, Skyjack, Lull, Skytrak, Tsurumi, Husquvarna Target, Stow, Wacker, Sakai, Mi-T-M, Sullair, Basic, Dynapac, MBW, Weber, Bartell, Bennar Newman, Haulotte, Ditch Runner, Menegotti, Morrison, Contec, Buddy, Crown, Edco, Wyco, Bomag, Laymor, EZ Trench, Bil-Jax, F.S. Curtis, Gehl Pavers, Heli, Honda, ICS/PowerGrit, IHI, Partner, Imer, Clipper, MMD, Koshin, Rice, CH&E, General Equipment, Amida, Coleman, NAC, Gradall, Square Shooter, Kent, Stanley, Tamco, Toku, Hatz, Kohler, Robin, Wisconsin, Northrock, Oztec, Toker TK, Rol-Air, APT, Wylie, Ingersoll Rand / Doosan, Innovatech, Con X, Ammann, Mecalac, Makinex, Smith Surface Prep, Small Line, Wanco, Yanmar

Instruction manual cut-off machines

CP512-300 / CP514-350 // CP512-300i / CP514-350i

Dear customer:

Thank you for purchasing this quality product from our company.

For many decades, we have been a producer of hand-held and back-carried gas powered motor devices. Each of our motor devices benefits from this experience in detail today as well.

State-of-the-art production materials in connection with our know-how warrant a long service life and high utilization value of the motor device.

The motor devices of this model line are particularly high-quality cut-off machines of German production and designed specifically for the high demands of professional users. A newly developed single-cylinder two-stroke high-performance engine with stationary nikasil-coated cylinder in proven four-channel technology for great performance at low fuel consumption and the latest exhaust cleaning technology warrant high utilization value of the motor-driven device.

Maintenance-free electronic ignition, health-protecting anti-vibration system, patented twin-pipe suction procedure, vibration system for particularly easy interim emptying of the air filter during work, optionally usable water connection with water supply to the cut-off wheel to reduce dust when working, smart solutions with electronic carburetor control for simple starting and ergonomic design and extremely compact build ensure excellent operating comfort and facilitate daily work with the motor device.

The safety equipment corresponds to the latest state of the art and meets all nationally and internationally relevant safety provisions. Among others, it comprises:

- One-touch stop button
- Throttle control lock
- Electronic speed limiter
- Wheel guard for the cut-off wheel
- Motor stop facility for maintenance purposes



Before first using this tool, read these operating instructions thoroughly and always observe all safety provisions and instructions.

If you have any further questions after reading these operating instructions, contact Discount-equipment.



Observe the maintenance guidelines closely to ensure the long service life of your equipment.

Packaging and disposal

Please keep the original packaging in order to protect the equipment against transport damage in case you ever need to ship or transport it. If the packaging materials are no longer required they must be disposed of properly in accordance with applicable local regulations. Cardboard packaging materials are raw materials which can be recycled or reused.

At the end of the equipment's service life, please make sure that you dispose of it in accordance with the local provisions.

Patents

The following patents have been granted:

- PCT/EP2011067574 (separate lubrication)
- US20120152200 (airbox)
- US20100206278
- US20100000846
- US20090007435
- EP2011594
- EP2011991
- EP2011992

Registered brands and trademarks

Norton Clipper[®] is a registered brand of Saint-Gobain Abrasives.

Any other product and company names named in these operating instructions may be registered brands or trademarks of the respective manufacturer. Use of these names by third parties for their purposes may injure the rights of the manufacturer. The fact that the ® or ™ sign is missing does not mean that the designation is a free brand name.

Reservation of changes

In the interest of continuous further development of the motor devices, the manufacturer must reserve changes to the delivery scope in form, technology and equipment.


Please understand that no claims can be derived from information and illustrations in these instructions.


Table of Contents

1	Information about these operating instructions	4
1.1	<i>Notational conventions used in the operating instructions</i>	4
2	Warning, instruction and notice icons	4
3	Safety provisions	6
3.1	<i>Correct use</i>	6
3.2	<i>General safety notes</i>	6
3.3	<i>Personal protection equipment (PPE)</i>	7
3.4	<i>When fueling up</i>	8
3.5	<i>In transport</i>	8
3.6	<i>During assembly, cleaning, maintenance and repair</i>	9
3.7	<i>Before start-up</i>	9
3.8	<i>When starting</i>	9
3.9	<i>During work</i>	10
3.10	<i>Dust emission</i>	11
4	Power tool description	11
4.1	<i>Scope of delivery</i>	11
4.2	<i>Type plate</i>	11
4.3	<i>Device views and important operating and function parts</i>	12
4.4	<i>Throttle control lock and throttle control</i>	14
4.5	<i>Function parts for starting</i>	14
4.6	<i>Technical data</i>	15
5	Preparing for use	16
5.1	<i>Installing the cut-off wheel</i>	16
5.2	<i>Installing cut-off wheels with 1" inner bore</i>	17
5.3	<i>Removing the cut-off wheel</i>	17
5.4	<i>Adjusting the wheel guard</i>	18
5.5	<i>Fueling up</i>	18
5.6	<i>Adjusting the ribbed belt tension</i>	20
5.7	<i>Water connection for wet cutting</i>	20
5.8	<i>Relocate cutting device from center position to outer position</i>	21
5.9	<i>Initial starting / run-in behavior</i>	23
6	Starting up and switching off the engine	24
6.1	<i>Starting process</i>	24
6.2	<i>Start-up position</i>	25
6.3	<i>Switching on the engine</i>	25
6.4	<i>Switching off the engine</i>	25
7	Power tool use	26
7.1	<i>Cut-off wheels</i>	26
7.2	<i>Permissible cutting area and danger from kickback or pinching</i>	27
7.3	<i>Working behavior and working technique</i>	28
7.4	<i>Cutting metal</i>	28
7.5	<i>Cutting mineral materials</i>	28
8	Operating and maintenance notes	29
8.1	<i>Cleaning and care</i>	29
8.2	<i>Cleaning the screen filter insert of the connection piece</i>	30
8.3	<i>Idle/carburetor adjustment</i>	31
8.4	<i>Air filter maintenance</i>	32
8.5	<i>Spark plugs check and replacement if required</i>	33
8.6	<i>Ribbed belt replacement</i>	34
8.7	<i>Fuel filter replacement</i>	35
8.8	<i>Maintenance plan</i>	36
8.9	<i>Self-aid advice</i>	37
8.10	<i>Shutting down and storage</i>	38
9	Warranty	38
10	Wear Parts	38
11	Emission control warranty statement	39

1 Information about these operating instructions

These operating instructions are an integral part of the motor device.

 They contain important information and instructions for handling the motor device. Always follow any specified safety regulations and instructions, as they are a prerequisite for ensuring that you are working safely with the equipment.

 These operating instructions must be kept available at the place of use of the equipment at all times, and they must be read carefully by everyone who works on or with the equipment (including for maintenance, care and repairs).

These operating instructions must only be used as operating instructions for the motor device CP512-300 / CP514-350 // CP512-300i / CP514-350i.

Any utilization of the contents (text and graphics illustrations) – even in excerpts – without the manufacturer's prior written consent shall be forbidden and may be prosecuted.

1.1 Notational conventions used in the operating instructions

Text highlights

Xxxxx Underlined text marks interim headlines.

Xxxxx Text in italics marks advice and notes that facilitate use of the motor device for the user.

1 Xxxxx Numbered text with a black background marks main chapter headlines.

1.1 Xxxx Numbered text with a grey background marks main subchapter headlines.

Xxxxxxx Frames mark especially highlighted sections.

Structure

The operating instructions are structured by numbered main and subchapters. The table of contents on page 3 shows an overview of the structure.

Header

To make it easier for the user to find the chapters, the header names the main chapter to which the content on the respective page belongs.

Pictures and diagrams

Some graphical illustrations in these operating instructions are schematic illustrations or principle illustrations and may not show exactly your device model. The conveyed contents, however, are binding in any case.

2 Warning, instruction and notice icons

Important: If one or several icons in these operating instructions are centered and directly below a chapter header the notice applies for the entire chapter.

Warning, instruction and notice icons used in the operating instructions and on the equipment:

Warning! Failure to comply with the instructions could cause accidents with potentially life-threatening injuries.



Caution! Failure to comply with the instructions could result in damage to the equipment or other material damage.



Carefully read the operating instructions. This applies before placing the equipment into operation and before any cleaning, maintenance or assembly work.



Always wear the prescribed clothing. → Chap. 3.3, page 7



Always wear sturdy shoes with good grip.



Wear safety gloves. This applies to all work with or on the equipment.



Before starting the engine, put on hard hat, hearing protection, face shield and safety glasses.



Switch off the engine!



Smoking is prohibited anywhere near the power tool and in the location where it is refueled!



Keep the power tool and fuel canisters away from open flames.



Warning: Danger of poisoning! - The power tool generates exhaust gases.
- Gasoline vapors are toxic.
- Dangerous dust emissions when working.



Warning: Kickback!
Notes in chap. 7.2 as of page 27 must be observed under all circumstances!



Warning: Danger of fire from sparks.



Wear breathing protection equipment.



Never use toothed circular saw blades.



Never use a damaged cut-off wheel.



Only use cut-off wheels approved for a speed of $\geq 4,550 \text{ min}^{-1}$ [4,550 RPM].



Vibrator dial for interim emptying of the air filter → Chap. 8.4, page 32



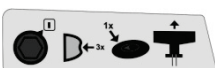
iLube® = Smart lubrication (separate lubrication, only for model CP512-300i and CP514-350i)



Fuel tank → Chap. 5.5, as of page 18



Oil tank (green cap, model CP512-300i and CP514-350i) → Chap. 5.5, as of page 18



Starting notes → Chap. 6, as of page 24

3 Safety provisions

3.1 Correct use



This power tool must only be used to cut/shorten metals (hot cut) and mineral materials, such as concrete (cold cutting). Use only the cut-off wheels approved for the material being cut and only for the working situation indicated in chap. 7 on page 26.

For specifically trained users in rescue missions, other approved cut-off wheels are also offered that can be used to cut various composites. These special applications are only permitted to specifically trained users.

This power tool must only be used for outdoor work.

Use of this power tool for any other purpose, such as sawing of wood and to remove/grind off a material using the side surfaces of the cut-off wheel is forbidden.

Unapproved cutting tools, such as saw blades or knives, must never be installed on the motor device.

3.2 General safety notes



Before using the power tool, read these operating instructions thoroughly and keep them in a safe and accessible location. They must be kept available at the place of use of the equipment at all times, and they must be read by everyone who works on or with the equipment (including for maintenance, care and repairs).

Use this power tool with care. Improper or careless use of this power tool could cause serious injury or death. The tool can generate large forces and torques resulting from the high speed rotation of the cut-off wheel.

Working with and on the power tool must be done carefully and with the greatest care. Assess all risks before proceeding. Never perform any work procedures that you have not been trained for. If you are still unsure after studying these operating instructions, ask a specialist for help.

The ignition unit of this power tool generates an electromagnetic field in operation. This field may affect the function of pacemakers under certain conditions. Persons with a pacemaker must consult their physician and the pacemaker manufacturer before using this power tool.

General information on vibration: The following symptoms may occur from frequent vibration of fingers, hands or wrists: Fingers, hands or wrists falling asleep, tickling, pain, stabbing pain, changes of the skin tone or skin. If such symptoms are found, see a physician.

Failure to observe the safety notes may be potentially fatal. Check ANSI and OSHA and other local regulations before proceeding.

- For any accidents that may occur, a first aid kit must be present at the workplace at all times. Material that has been removed must be refilled at once.
- Danger of fire from sparks! When working close to easily flammable objects or vegetation, a fire extinguisher must be provided.
- A first time operator should obtain practical instruction by a specialist before using the power tool. Employers must establish a training program for operators of gasoline-powered, hand-held portable, cut-off machines to assure safe operations of these power tools.
- Children and teens (minors) under 18 years of age must not work with this power tool.
- The power tool generally must be operated by only one person – also when starting up. Keep unnecessary personnel away from the work area. Do not work around animals. If a person or animal approaches, the power tool must be stopped at once. The user is responsible for any injury and property damage he causes.
- This power tool must only be used by persons who are familiar with this type of machine, its operation and the operating instructions. Never lend this tool to untrained personnel. Always include these operating instructions.

- Only work with this power tool when you are in good shape, rested and healthy.
- Persons under the influence of alcohol or drugs, including prescription drugs, should never use this power tool, as their ability to quickly react to potential danger may be impaired.
- Never operate this power tool when you are fatigued or exhausted. Tiredness and exhaustion may result in loss of control. Be alert – if you get tired or exhausted while operating your power tool, take a break. Working with the power tool can be strenuous. If you have any condition that might be aggravated by strenuous work, check with your doctor before operating this power tool.
- Never cut or disturb asbestos, asbestos-containing materials or any other known hazardous materials.
- Be aware of hidden hazards, such as electrical cables, water or gas pipes and flammable substances in the area to be cut!
- When cutting pre-tensioned and steel-reinforced concrete pillars, observe all instructions and standards that the respective authorities or component manufacturers have stipulated. Cutting of reinforcement bars must be performed in the prescribed order and under consideration of the relevant safety provisions.
- Never alter, change or modify any safety equipment or functional assemblies of this power tool.
- Prevent accidents! Only use this power tool if it is in good, safe condition! Always check the power tool prior to use.
- Only use those accessories and attachments that have been supplied and approved for attachment to this power tool by the manufacturer.
Only cut-off wheels approved for this power tool must be used as cutting tools.
- Reliable operation and safety of this power tool also depend on the quality of the spare parts used. Use only genuine spare parts. Original spare parts are identical with original production parts and guarantee the best quality in material, dimensions, function and safety. Original parts and accessories are available from your specialist dealer. Your dealer has been supplied with appropriate documentation to determine the correct parts. Your dealer is frequently supplied with updates about improvements to the equipment. Please note that the use of non-original parts will void your warranty.
- Always store the power tool in a safe place and in such a way that it will not pose any danger. Stop the engine. Never let the power tool run unsupervised!

Persons who disregard safety instructions, operating or maintenance instructions are liable for any damage or consequential losses.

3.3 Personal protection equipment (PPE)



In order to prevent injuries, please make sure that you wear the prescribed clothing and protective equipment.



Clothes should be tight-fitting (no lapels), but not hindering. When performing any work, wear a working suit of firm materials with sufficient flame inhibition that cannot ignite by flying sparks (materials of leather, cotton after flame-inhibiting treatment or heavy close-meshed linen fabrics).

Check the information in the work clothes and ensure that non-flammable materials and no synthetic materials like polyester or nylon are contained in the clothes. The working clothes must never be contaminated with flammable substances such as gasoline or similar products.

Do not wear scarves, ties, jewelry or other clothes that may get caught in the cut-off wheel, objects in the environment, or the power tool. Tie back long hair and secure it under a hard hat.



Wear a protective hard hat during any work. Use personal hearing protection. Eye and face protection is mandatory pursuant to ANSI Z 87.1.



Wear firm safety shoes with steel toes and a good grip.



Wear a protective apron.



Wear protective gloves with non-slip palms.



When wet cutting is not utilized, the operator and bystanders should always wear breathing protection equipment approved by NIOSH/MSHA for the material being cut.

3.4 When fueling up



Gasoline is highly flammable. Keep away from open flame and do not spill fuel. Do not smoke at the workplace or at the site of fueling!

- Always switch off the engine before fueling.
- Fire hazard! Never refuel while the engine is still hot!
- Always carefully open the tank cap so that any overpressure present can reduce slowly and no fuel will splash out.
- Prevent skin and eye contact with fuel and other mineral oil products by wearing protective clothing, eye and face protection. In case of eye contact, rinse at once with lots of clear water. In case of persistent irritation, see a doctor immediately!
- Regularly change and clean protective clothes.
- Avoid breathing in fuel vapor.
- The refueling site should be well ventilated.
- Avoid any soil spillage of fuel or oil (protection of the environment). Use a suitable mat.
- Immediately clean any fuel spilled on the power tool. Change contaminated clothing without delay.
- Always tighten the fuel tank cap firmly by hand without using any tools. Tank caps are equipped with an overturning protection and must be turned closed until a clear "skipping".
The fuel tank cap must not be able to work itself loose as a result of the vibrations of the engine.
- Danger to life from burns! Observe leaks. Do not start up and work when fuel is escaping.
- Fuels and oil must only be stored in properly and correctly labeled containers.

3.5 In transport



- Before carrying the power tool (even across short distances from one working area to the next), always turn off the engine and wait until the cut-off wheel has stopped. Carry the power tool by the top handle and have the cut-off wheel point backwards.
- Danger of burns! Do not touch the hot muffler.
- Never carry or transport the power tool with the cut-off wheel running.
- To avoid spilling of fuel and oil and to prevent damage, the power tool must be secured against tipping when transporting it in vehicles. Check the tanks for fuel and oil for tightness.
Recommendation: Empty the tanks before transport.
- Empty the tanks before shipping.
- Remove cut-off wheel before shipping.

Recommendation: Keep the original packaging in order to protect the equipment against transport damage in case you ever need to ship it or transport it.

3.6 During assembly, cleaning, maintenance and repair



- The power tool must not be assembled, maintained, repaired or stored in the vicinity of open flames.
- Before assembly, cleaning, maintenance and repair, always turn off the engine; the stop dial must be set to "0" and the cut-off wheel must have stopped.
Only the idle speed setting must be performed with the engine running.
- Wear protective gloves for any work.
- The power tool requires regular maintenance. Only perform such maintenance and repair work on your own that are described in these operating instructions and that you consider yourself skilled at performing. Any other work must only be performed by specialist workshops authorized by the manufacturer.
- Danger of burns! Do not touch the muffler while it is still hot – not even for maintenance or to check it for tight fit.
- Only perform repairs with original spare parts.
- Danger of accident and injury! Never modify the power tool, as this may impair safety!

3.7 Before start-up



Before start-up, check the entire power tool for operationally safe conditions. In addition to the notes in the operating and maintenance notes (→ chap. 8, page 29), check the following items:

- Stop dial and one-touch stop button must be easy to operate.
- The throttle control must move freely and return automatically to the idle position. It must not be possible to operate the throttle control without pushing (unlocking) the throttle control lock (throttle control locked).
- The cut-off wheel must be attached firmly to the spindle.
- Danger of fire! Ignition cable and spark plug connector must be firmly in place. Loose connection can result in sparks which could ignite any escaping fuel/air mixture!
- In case of irregularities, visible damage, improper settings or limited function, the power tool must not be started. In such cases, have the power tool inspected by specialist workshops authorized by the manufacturer.

3.8 When starting



- Only use the power tool if it is in completely assembled condition.
- Keep at least 3 meters [approx. 10 feet] distance from the fueling site when starting.
Never start the power tool in closed rooms.
- Hold the tool securely and firmly when starting.
Always start up on level ground and securely hold the power tool.
- Perform the starting process as described in chap. 6 on page 24.
- Check the idle setting after starting. The cut-off wheel must not rotate in idle mode.

3.9 During work



In addition to the safety provisions already listed, the following safety provisions also apply when working with the motor device:

- Danger of poisoning! Once the engine is running, the power tool produces toxic exhaust that may be invisible and odorless. Never start the power tool in closed rooms. Special danger also applies in narrow situations, troughs or ditches. Only work here when it is absolutely certain that there is sufficient air exchange and that no toxic gases may accumulate.
- Increased danger of fire! Do not smoke at the workplace – not even in the proximity of the power tool.
- Secure the workplace against accidental access by third parties, e.g. with warning signs. Only persons involved and wearing adequate protective equipment and clothes must be present within 30 meters [approx. 30 yards] around the working area.
- Check the site of deployment for possible dangers.
 - Spark formation during cutting means that work must never be performed close to potentially explosive gases of liquids, or easily flammable objects.
 - No electrical lines, water or gas pipes or flammable substances must be placed in the area to be cut.
 - Objects that may fall off or topple over during work must be secured or removed from the working environment first.
 - Prepare the workplace so that secure operator mobility is possible.
- The work piece to be cut must be free of foreign bodies such as screws, nails or stones.
- When working in residential areas, observe the noise protection provisions.
- Work carefully, considerately and calmly and do not endanger others.
 - Ensure good sight and light conditions.
 - Always remain within calling distance of other persons who may administer first aid in emergencies.
 - Schedule work breaks.
 - Be attentive towards possible danger sources and take the corresponding preventive measures. Consider that use of hearing protection limits perception of sounds. Signal sounds, calls, etc. that announce danger may also be missed.
 - Observe tripping dangers and obstacles. Never work on unstable grounds.
 - Always hold the power tool with both hands and always ensure a safe and firm stance.
 - Never cut standing on a ladder.
 - Guide the power tool so that no body part is located in the extended swivel range of the cut-off wheel.
 - Do not hold the work piece in your hand and bring it into contact with the wheel.
 - Bring the rotating cut-off wheel into contact to the work piece.
Never touch the floor or other objects with the cut-off wheel running.
 - Do not use the power tool to level off and shovel away objects.
- Switch off the engine when the power tool starts to behave noticeably differently.
- Danger of burns! Do not touch the muffler while it is still hot.
Danger of fire! Muffler radiates enormous heat.
Never put the hot power tool into dry grass or on flammable objects.
- Danger of hearing damage and burns!
Never work with defective muffler or without muffler.

3.10 Dust emission



Grinding/cutting/drilling of masonry, concrete, metal and other materials can generate dust, mists and fumes containing chemicals known to cause serious or fatal injury or illness, such as respiratory disease, cancer, birth defects or other reproductive harm.

California and some other authorities, for instance, have published lists of substances known to cause cancer, reproductive toxicity, or other harmful effects.

- If you are unfamiliar with the risks associated with the particular process and/or material being cut or the composition of the tool being used, review the material safety data sheet and/or consult your employer, the material manufacturer/supplier, governmental agencies such as OSHA and NIOSH and other sources on hazardous materials and make certain to comply with all product warnings and instructions for the safe and effective use of the material being cut.
- Control dust, mist and fumes at the source where possible. In this regard use good work practices and follow the recommendations of the manufacturer/supplier, OSHA/NIOSH, and occupational and trade associations. Water should be used for dust suppression when wet cutting is feasible.
- When the hazards from inhalation of dust, mists and fumes cannot be eliminated through engineering controls such as vacuum and/or water mist, the operator and any bystanders should always wear a respirator approved by NIOSH/MSHA for the material being cut.

Grinding/cutting/drilling of masonry, concrete and other materials with silica in their composition may give off dust or mists containing crystalline silica. Silica is a basic component of sand, quartz, brick clay, granite and numerous other minerals and rocks. Repeated and/or substantial inhalation of airborne crystalline silica can cause serious or fatal respiratory diseases, including silicosis. In addition, California and some other authorities have listed respirable crystalline silica as a substance known to cause cancer.

- When cutting such materials, always follow the respiratory precautions mentioned above.

4 Power tool description

4.1 Scope of delivery

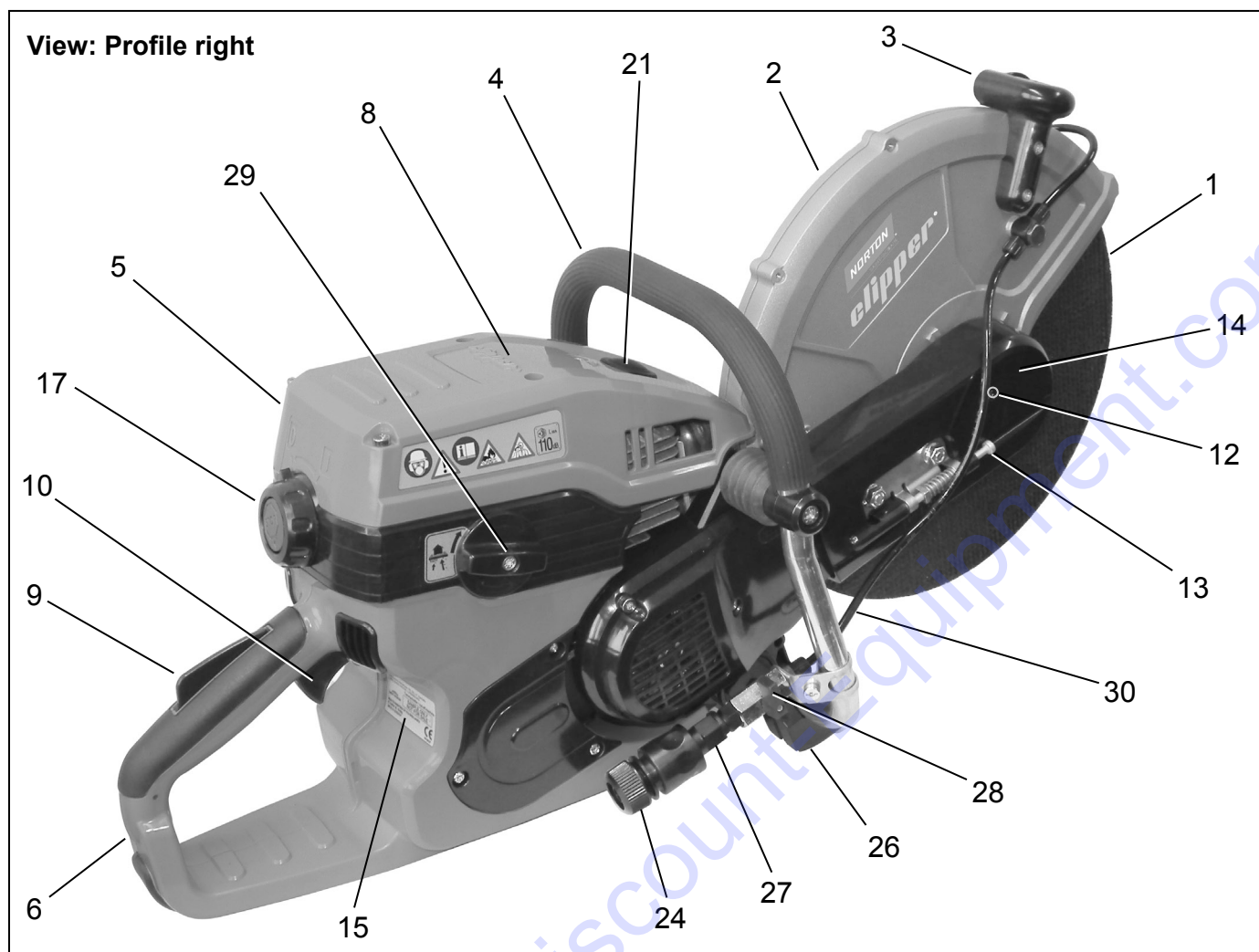
- Basic device
- Cut-off wheel
- Spindle adapter disk for cut-off wheels with 1" inner bore
- Tools: Combination tool (spark plug wrench with screwdriver), blocking pin and additional small screwdriver
- These operating instructions

4.2 Type plate



- a: Type designation
- b: Serial number
- c: Bar code
- d: Year of build

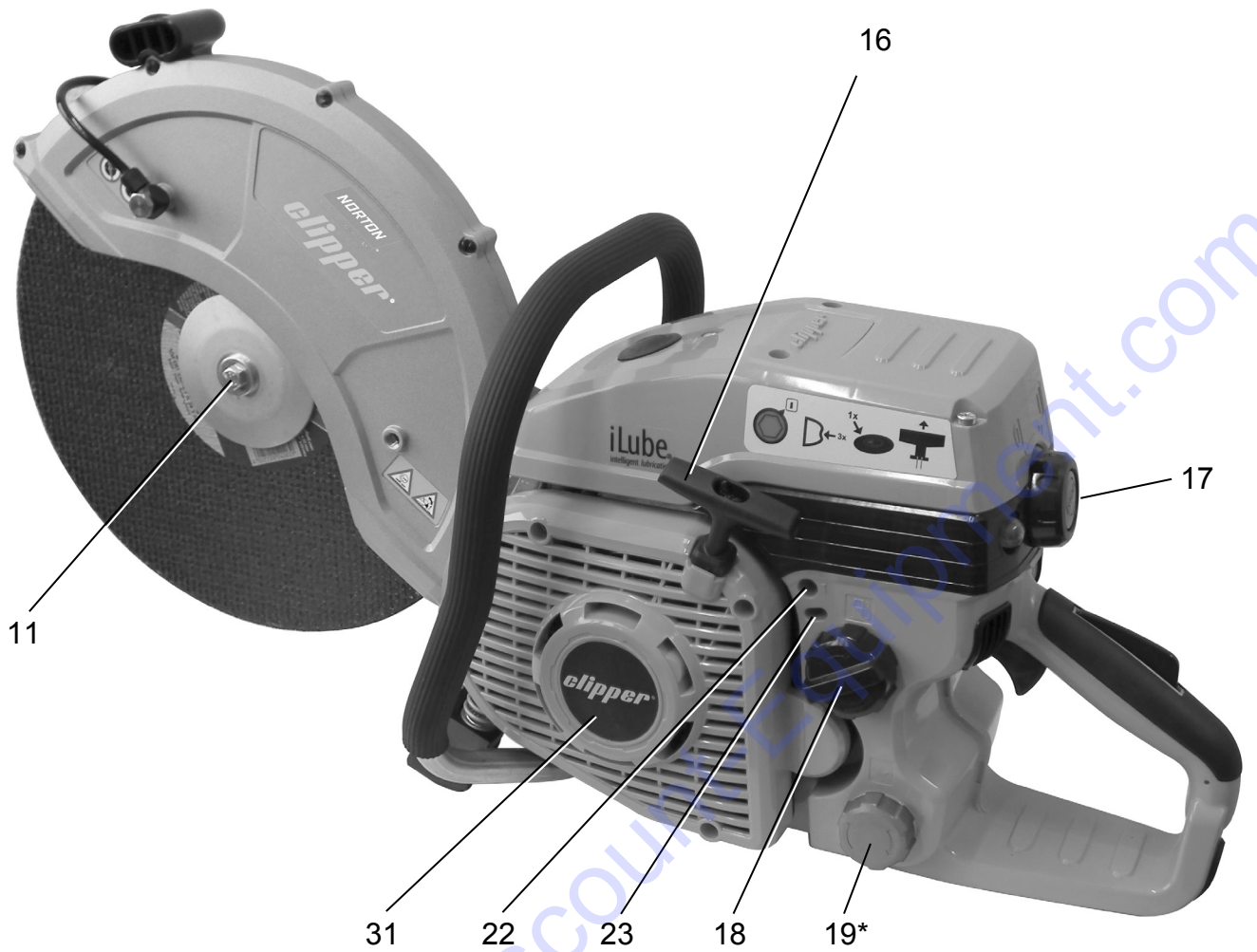
4.3 Device views and important operating and function parts



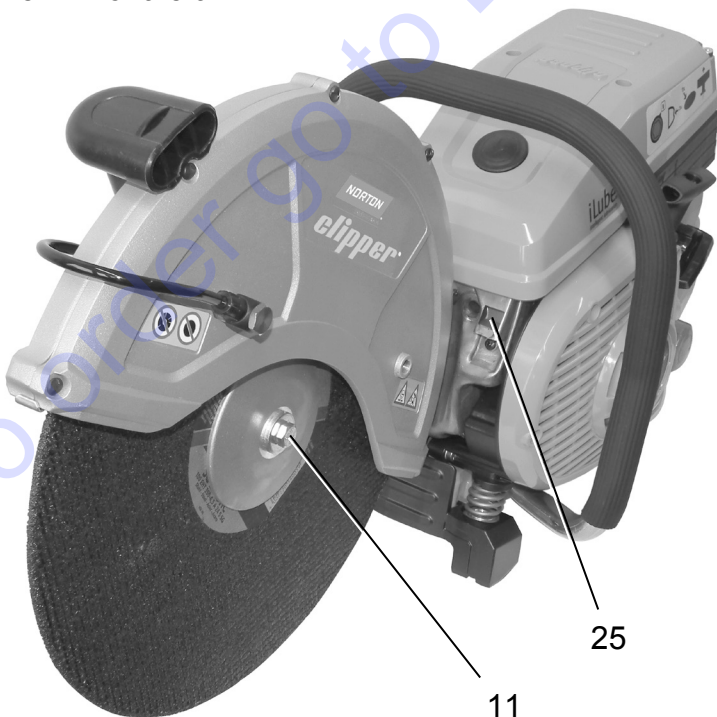
1. Cut-off wheel	16. Starter handle
2. Wheel guard	17. Stop dial / one-touch stop button
3. Handle for wheel guard adjustment	18. Fuel tank cap
4. Top handle	19*. Oil tank cap, green (only for CP512-300i and CP514-350i)
5. Guard	20. Primer
6. Rear handle	21. Decompression valve
7. Twin-pipe intake openings	22. Idle stop screw "T"
8. Spark plug cover	23. Carburetor adjustment screws "L" and "H" (for specialist workshops only)
9. Throttle control lock	24. Water coupling connection (wet cutting)
10. Throttle control	25. Muffler (exhaust)
11. Cut-off wheel attachment screw	26. Standing base
12. Cut-off wheel blockage opening	27. Screen filter coupling adapter of the water supply line
13. Ribbed belt tensioning screw	28. Valve lever for water supply
14. Ribbed belt cover	29. Vibration dial
15. Type plate	30. Water supply line (wet cutting)
	31. Starter and fan housing with cooling air openings

* model-dependent

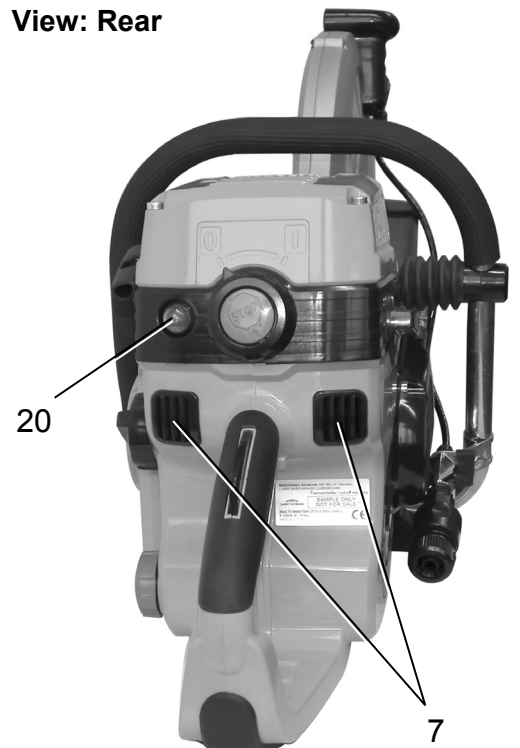
View: Profile left



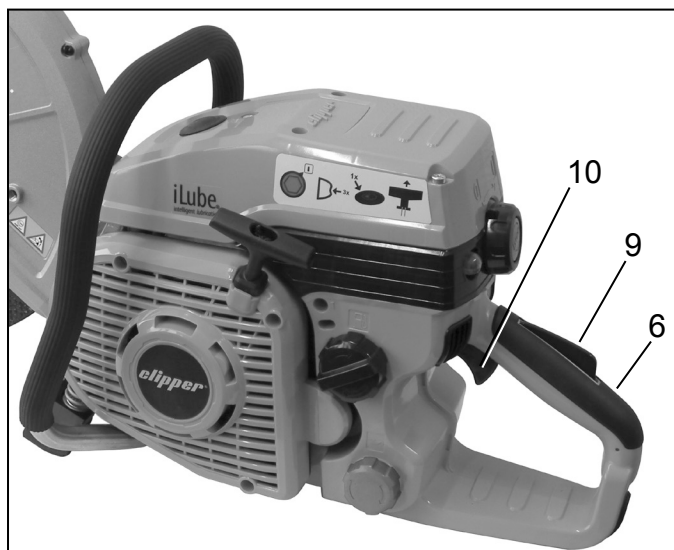
View: Front left



View: Rear



4.4 Throttle control lock and throttle control



Release of the throttle control (10)

- Grasp rear handle (6) with the right hand. The throttle control lock (9) is operated with the palm.
→ The throttle control (10) is released.

4.5 Function parts for starting

Starter handle (16) and starter rope: → Chap. 6.3, page 25

Primer (20)



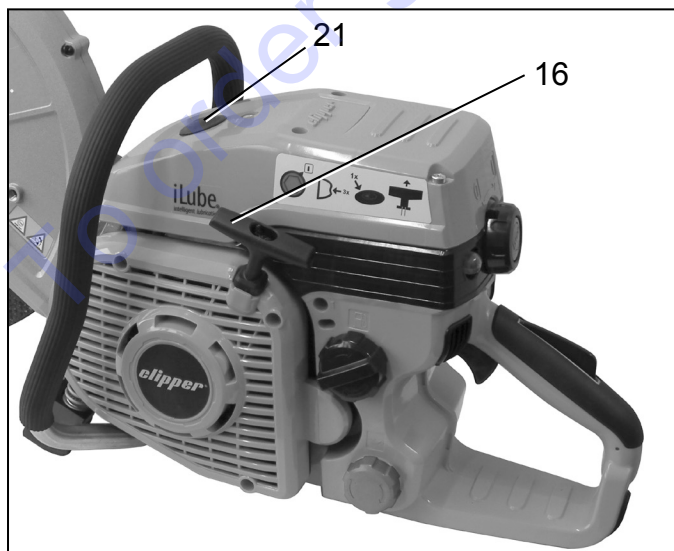
In the delivery condition, after extended resting time and with the tank completely empty, there is no fuel yet in the carburetor after fueling up.

Starting process: → Chap. 6.1, page 24

To facilitate the starting process, fuel can be pumped into the carburetor. Push the primer (20) repeatedly until fuel appears in the primer.

Excess fuel is automatically flushed back into the tank from the primer.

Decompression valve (21)



When the decompression valve (21) is depressed, the compression pressure in the combustion chamber is reduced. This means that the engine offers less resistance during start-up, which makes it noticeably easier to start the engine.

Starting process: → Chap. 6.1, page 24

The decompression valve is closed automatically when the motor is running.

If you need to pull the starter handle (16) more than once to start the engine (e.g. during a cold start), you do not need to depress the decompression valve again.

4.6 Technical data

Model	CP512-300	CP512-300i	CP514-350	CP514-350i		
Motor	Single-cylinder two-stroke motor, four-channel flushing					
Engine capacity	81 cm ³ [4.94 cu.in]					
Bore Ø / stroke	52 mm / 38 mm [2.0" / 1.5"]					
Max. power at RPM	4.0 kW / 9,300 ¹ / _{min} [5.36 HP / 9,300 RPM]					
Max. torque at RPM	4.8 Nm / 7,000 ¹ / _{min} [3.54 ft·lbf / 7,000 RPM]					
Max. permissible speed	(9,500 ±200) ¹ / _{min} [(9,500 ±200) RPM] (no load with cut-off wheel)					
Idling speed	(2,600 ±200) ¹ / _{min} [(2,600 ±200) RPM]					
Clutch engagement speed	(4,000 ±200) ¹ / _{min} [(4,000 ±200) RPM]					
Fuel tank capacity	0.9 l [30 oz]					
Oil tank capacity	---	0.32 l [10.8 oz]	---	0.32 l [10.8 oz]		
Fuel mix ratio gasoline:oil	50:1	---	50:1	---		
Electronically controlled separate lubrication	---	✓	---	✓		
Fuel consumption at max. power (ISO 7293)	1.75 kg/h [3.86 lbs/h]					
Specific consumption at max. power (ISO 7293)	460 g/kWh [0.76 lbs/HP·h]					
Carburetor, with primer	Position-independent, electronically controlled					
Air filter	Paper					
Ignition	Electronic digital ignition with index					
Cut-off wheel:	Diameter		12" [305 mm]		14" [356 mm]	
	Bore diameter		20 mm or 1"		20 mm or 1"	
Tightening torque of the attachment screw	(30 ±2) Nm		(30 ±2) Nm		(30 ±2) Nm	
	[22.1 ±1.48 ft·lbf]		[22.1 ±1.48 ft·lbf]		[22.1 ±1.48 ft·lbf]	
Minimum flange outer diameter	100 mm [3.9"]		100 mm [3.9"]		100 mm [3.9"]	
Spindle diameter	20 mm [0.787"]		20 mm [0.787"]		20 mm [0.787"]	
Maximum spindle RPM	4,550 ¹ / _{min} [4,550 RPM]		4,550 ¹ / _{min} [4,550 RPM]		4,550 ¹ / _{min} [4,550 RPM]	
Cutting depth, max.	100 mm [3.9"]		100 mm [3.9"]		125 mm [4.9"]	
Dimensions: height / width / length	430 mm / 267 mm / 750 mm		430 mm / 267 mm / 775 mm		430 mm / 267 mm / 775 mm	
	[16.9" / 10.5" / 29.5"]		[16.9" / 10.5" / 29.5"]		[16.9" / 10.5" / 30.5"]	
Weight without tank content and without cut-off wheel	10.1 kg [22.3 lbs]	10.4 kg [22.9 lbs]	10.2 kg [22.5 lbs]	10.5 kg [23.1 lbs]	10.2 kg [22.5 lbs]	10.5 kg [23.1 lbs]
Sound level ^{1,2} L _{Peq} (EN ISO 19432 Annex B)	98 dB(A)				98 dB(A)	
Sound power level ^{1,2} L _{W_{eq}} (EN ISO 19432 Annex B)	108 dB(A)				108 dB(A)	
Weighted effective acceleration ^{1,3} a _{h_v,eq} (EN ISO 19432 Annex C): rear handle / top handle	4.5 m/s ² / 6.0 m/s ² [177 "/s ² / 236 "/s ²]				4.5 m/s ² / 6.0 m/s ² [177 "/s ² / 236 "/s ²]	

¹ In determining the following values regarding the acceleration of vibrations and sound, the different operating conditions were weighted in accordance with the current standards.

² Insecurity K purs. to EC directive 2006/42/EC: 2.5 dB(A)

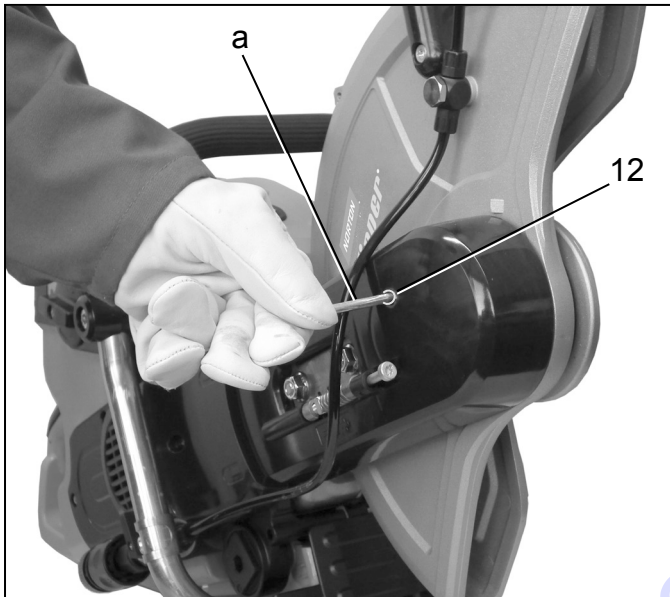
³ Insecurity K purs. to EC directive 2006/42/EC: 2 m/s² [78.7 "/s²]

5 Preparing for use

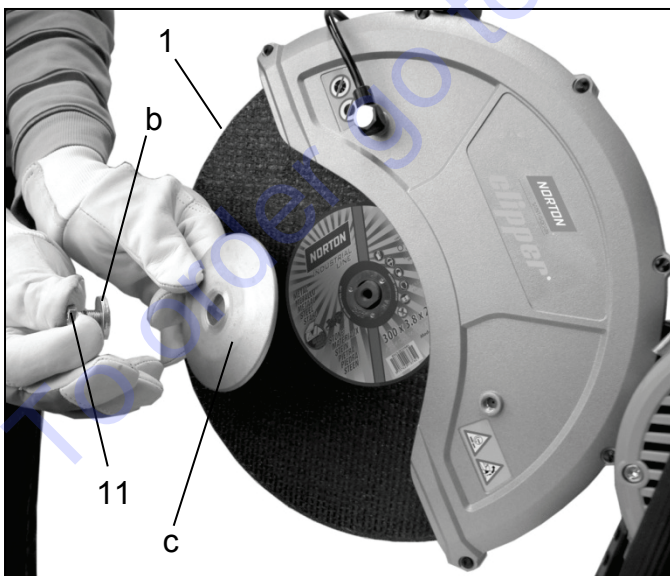


5.1 Installing the cut-off wheel

- !** The cut-off wheels used must correspond to the specifications from chap. 7.1 on page 26! The power tool spindle is designed for cut-off wheels with an inner bore of 20 mm. Cut-off wheels with 1" inner bores must only be installed together with the spindle adapter disk. Installation of cut-off wheels with 1" inner bore: → Chap. 5.2, page 17! When using cut-off wheels with an inner bore of 20 mm, no additional spindle adapter disk is required.



- For cut-off wheel installation, the power tool must be put securely on the ground. Securely hold the power tool at the top handle with the left hand and push it firmly onto the ground. → Chap. 5.4, page 18
- Insert blocking pin (a) entirely into the cut-off wheel blocking opening (12) to block the spindle. Unscrew cut-off wheel attachment screw (11). Remove wheel (b) and outer mounting flange (c).



- Put cut-off wheel (1) on spindle. For cut-off wheels with specified rotating direction (arrow on the cut-off wheel), observe correct alignment of the cut-off wheel during assembly (for rotation direction of the cut-off wheel, see above).

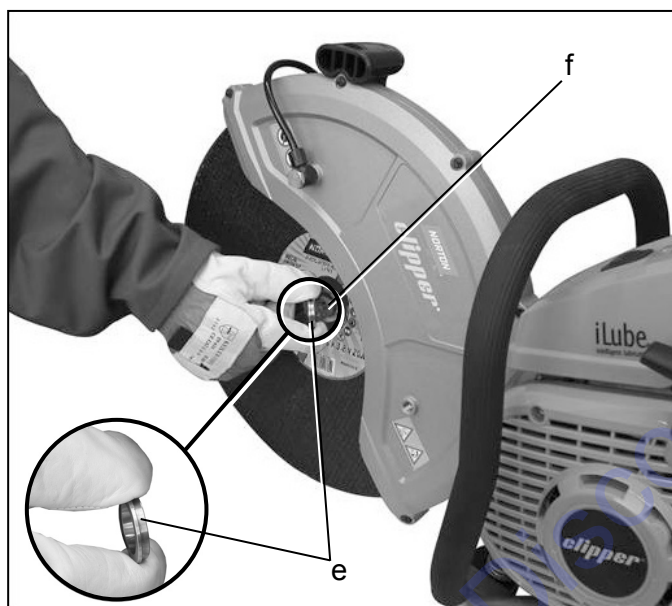
- Push on outer mounting flange (c) so that the curved side points southwards, i.e. away from the cut-off wheel.
- Push on wheel (b) and turn in cut-off wheel attachment screw (11).
- Insert blocking pin (a) entirely into the blocking opening (12) and firmly tighten (30 Nm [22.1 ft·lbf]) the cut-off wheel attachment screw (11).
Securely hold the power tool at the top handle with one hand and push it firmly onto the ground.
- Remove the blocking pin (a).

5.2 Installing cut-off wheels with 1" inner bore



The power tool's spindle is designed for cut-off wheels with an inner bore of 20 mm. For proper installation of cut-off wheels with a 1" inner bore, the spindle adapter disk is required that is included with the delivery of the power tool.

The spindle adapter disk ensures correct fit of the 1" cut-off wheel on the spindle.

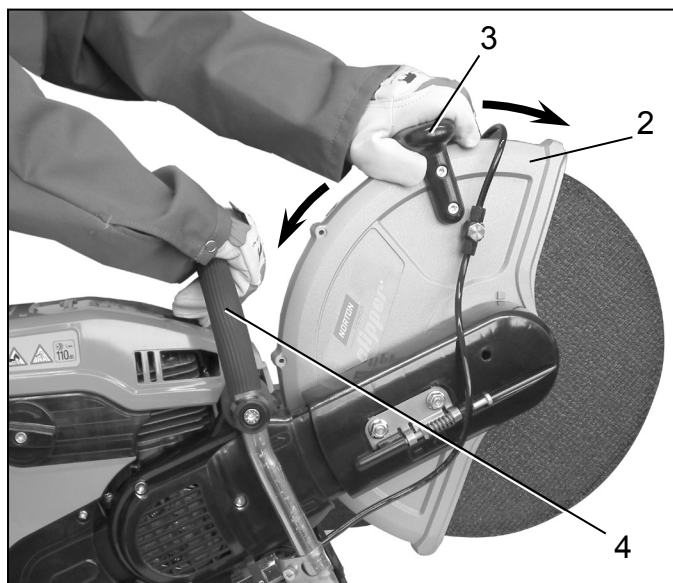


- Installation of cut-off wheels with 1" inner bore takes place according to chap. 5.1 as of page 16.
- After applying the cut-off wheel on the spindle, however, the spindle adapter disk (e) must be put on the spindle (f) additionally.
- Put the spindle adapter disk (e) onto the spindle so that it inserts between spindle and inner bore of the cut-off wheel.
The support area of the spindle adapter disk must point outwards in the installed condition, i.e. away from the spindle.
The correct orientation of the spindle adapter disk is mandatory to directly connect the plane inner area to of the outer mounting flange to the cut-off wheel. Only this warrants secure attachment of the cut-off wheel.
- Application of the outer mounting flange and all following steps must be performed again according to chap. 5.1.

5.3 Removing the cut-off wheel

- For cut-off wheel removal, the power tool must be put securely on the ground. Securely hold the power tool at the top handle with the left hand and push it firmly onto the ground. → Chap. 5.4, page 18
- Insert blocking pin (a) entirely into the cut-off wheel blocking opening (12) to block the spindle.
Unscrew cut-off wheel attachment screw (11).
Remove wheel (b) and outer mounting flange (c) (also see chap. 5.1).
- Remove cut-off wheel from the spindle. For cut-off wheels with a 1" inner bore, the spindle adapter disk also must be removed from the spindle.
- Put the outer mounting flange back onto the spindle so that the curved side points outward.
- Put on wheel (b) and turn in the cut-off wheel attachment screw (11) again. → Chap. 5.1.
- Insert blocking pin (a) entirely into the blocking opening (12) and firmly tighten (30 Nm [22.1 ft·lbf]) the cut-off wheel attachment screw (11) again.
Securely hold the power tool at the top handle with one hand and push it firmly onto the ground.
- Remove the blocking pin (a).


5.4 Adjusting the wheel guard




The wheel guard (2) can be rotated forward and backward in a limited area.

For adjustment of the wheel guard, the power tool must be put securely on the ground. Securely hold the power tool at the top handle (4) with the left hand and push it firmly onto the ground. With the right hand at the handle for wheel guard adjustment (3), rotate the wheel guard accordingly.

To keep sparks and particles away from the user, the wheel guard always must be rotated forward as far as the working situation permits.

 If the separating device has been installed in the outer position, ensure when adjusting the wheel guard that the water supply line is not clamped and that contact between the cut-off wheel and water supply line in operation is excluded.

5.5 Fueling up


 **Danger to health!**
Direct skin contact with gasoline and breathing in of gasoline fumes must be excluded.


The high-performance two-stroke engine of this power tool requires a gasoline-oil mix in the combustion chamber (gasoline and oil = fuel mix).

Models CP512-300 and CP514-350



Models CP512-300 and CP514-350 are equipped with a fuel tank (18).

 Fuel tank for fuel mix according to the mix table below.

 Unsuitable fuels or deviations of the mix ratio may cause engine damage!

The fuel mix must be formed from the following components:

- Lead-free midgrade gasoline or lead-free premium gasoline with a minimum pump octane number of 89 $(R+M)/2$.
- Branded 2-stroke engine oil corresponding to the standard ISO-L-EGD or JASO FD

Store the fuel mix no longer than 3 weeks.

Mix table for fuel mix:

Gasoline:oil ratio = 50:1 (2 %)	
Gasoline	Branded 2-stroke engine oil
1 l	20 ml
2 l	40 ml
5 l	100 ml
10 l	200 ml

Gasoline:oil ratio = 50:1 (2 %)	
Gasoline	Branded 2-stroke engine oil
1 gal	2.6 US fl. oz
2.5 gal	6.4 US fl. oz
5 gal	12.8 US fl. oz

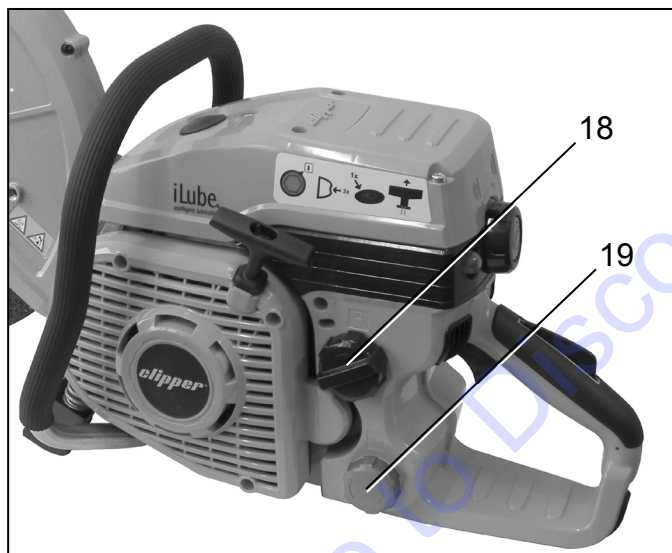
Instead of a self-produced fuel mix, you may also use a pre-mixed special fuel mix for two-stroke motors. Recommendation: Use the special fuel mix of the brand "Aspen 2-stroke". The special fuel manufacturer's information must be observed.

Models CP512-300i and CP514-350i with iLube®

iLube®
intelligent lubrication

Models CP512-300i and CP514-350i are equipped with a fuel tank and an oil tank each that must be filled according to the specification below

The fuel mix is automatically formed during operation in these models (separate lubrication, iLube®, Intelligent Lubrication).



Fuel tank (18) for lead-free midgrade gasoline or lead-free premium gasoline with a minimum pump octane number of $89 (R+M)/2$.



Do not fill any fuel mix into the fuel tank (18)!



Oil tank (19, green cap) for branded 2-stroke engine oil corresponding to the standard ISO-L-EGD or JASO FD.



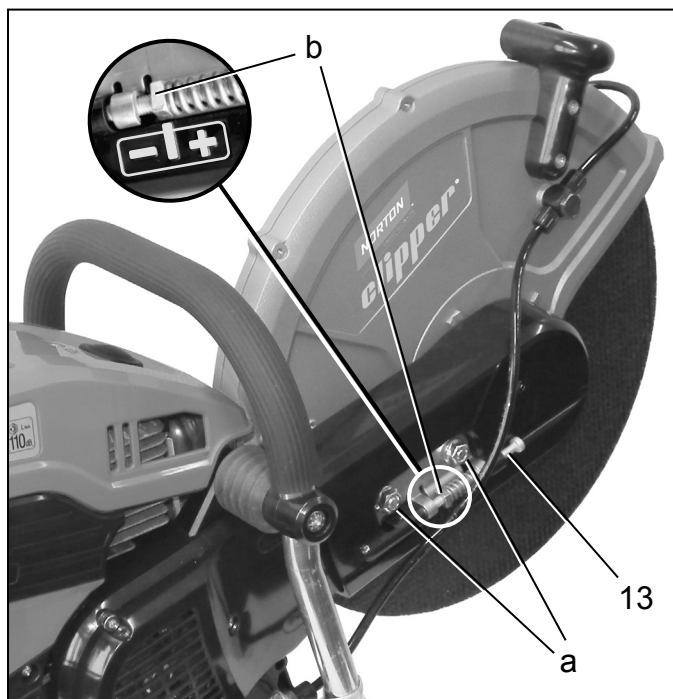
If there is not enough oil in the oil tank, the power tool will automatically reduce output even in the lower speed area and will not reach the speed required for work, which will be noticed by changed noise generation as compared to regular operation. At this point at the latest, oil must be refueled.

Fill in operating media (fuel mix or gasoline and oil)

Observe the safety provisions when fueling up. Fuel up only with the motor switched off.

- Clean the fill-in area well.
- Put down the motor device so that the fuel tank cap points up.
- Unscrew the tank cap.
- To avoid contamination in the tank, use a screen funnel if possible.
- Fill the tank no farther than to the lower edge of the nozzle.
- Screw on the tank cap tightly again until the overturning protection clearly "skips".
- After fueling up, clean any splashed operating medium from the power tool.
- Never start or operate the power tool at the site of fueling.

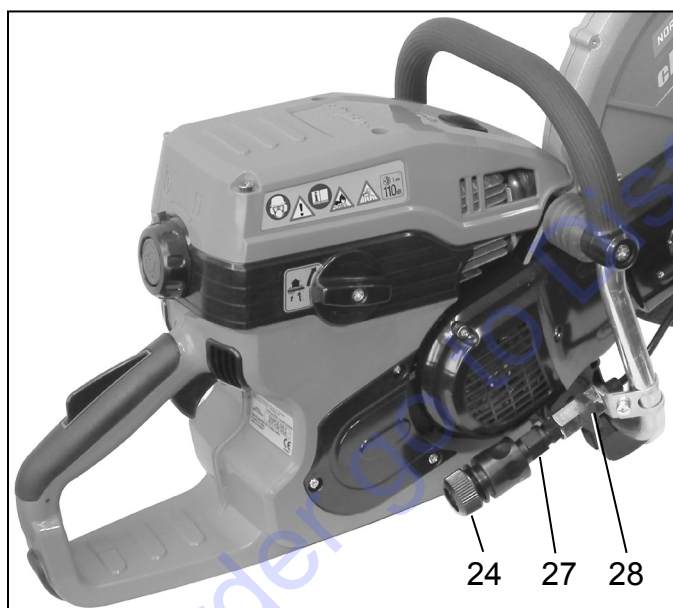
5.6 Adjusting the ribbed belt tension



Generally, the ribbed belt tension must be set correctly when starting the power tool. At initial starting, at re-starting after extended stand still, after replacement of the ribbed belt or after any other assembly work, always check the tension and set the correct tension if required.

- Loosen both attachment nuts (a).
- Turn ribbed belt tensioning screw (13) towards the right (clockwise).
→ Increase ribbed belt tension.
The square nut (b) moves to the mark "+".
- Turn ribbed belt tension screw (13) towards the left (counter-clockwise):
→ Reduce ribbed belt tension.
The square nut (b) moves to the mark "-".
- The correct tension is reached when the square nut (b) is on the center mark (c), in between "+" and "-".
- Tighten both attachment nuts (a) again.

5.7 Water connection for wet cutting



Fine dust occurs when cutting mineral materials. Recommendation: Use the water connection and cut-off wheels suitable for wet cutting when cutting mineral materials.

When cutting with the water supply connected, the dust is suppressed, visibility is improved and the cut-off wheel service life is increased by the cooling effect of the water.

Before wet cutting:

- Connect suitable water line or suitable pressure tank to the coupling connection (24).
- Operate the valve lever (28) to open or close the water supply.

After wet cutting:

- Close the water supply, i.e. put the valve lever across the connection piece.
- Let the cut-off wheel run at high speed for another approx. 30 seconds to completely eject the water.



water supply opened
(valve lever parallel)



water supply closed
(valve lever across)

Cleaning the screen filter insert in the coupling piece (27): → Chap. 8.2, page 30

5.8 Relocate cutting device from center position to outer position

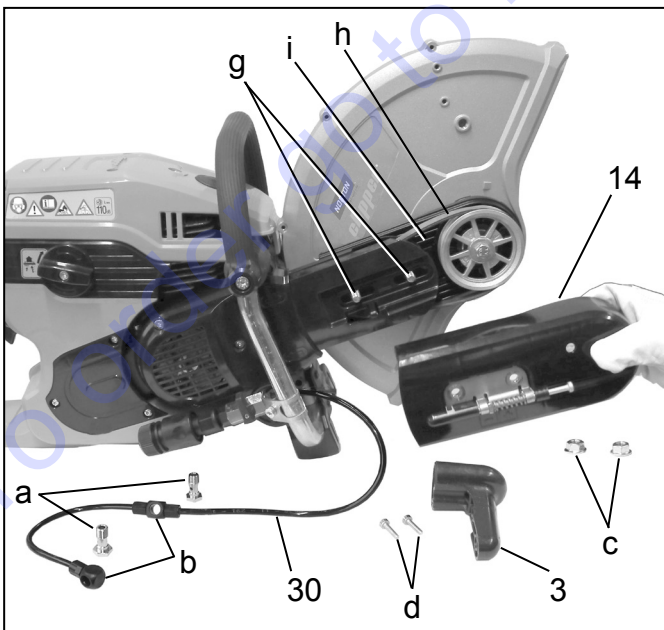
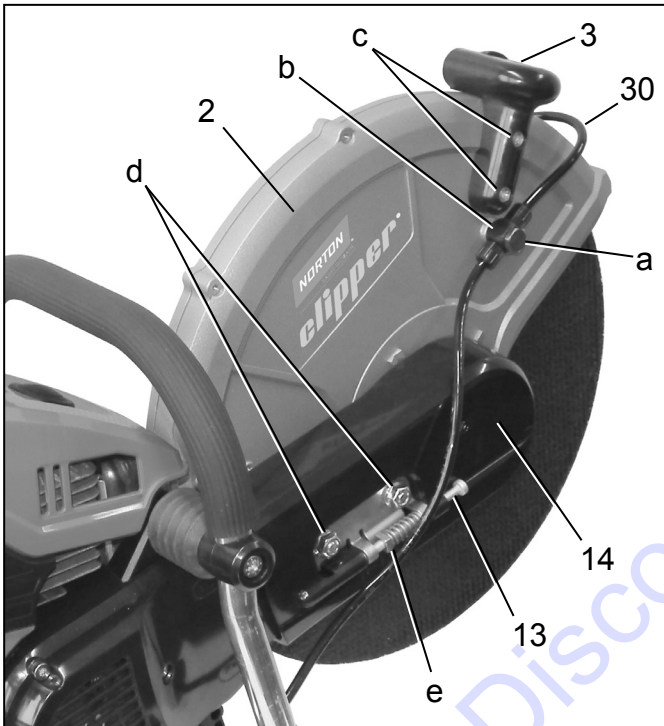
The power tool is delivered for operation of the cut-off wheel in the center position by default. Generally, the power tool is more balanced in the center position, because the weight is distributed symmetrically to the center axis and the cut therefore is easier to guide.

If obstacles are very close to the cutting location, it may be required to install the cutting device in the outer position so that the cut-off wheel is located farther towards the outside.



When working with the cut-off wheel in the outer position, observe the asymmetric weight distribution! If possible, work in the center position.

Conversion from center to outer position

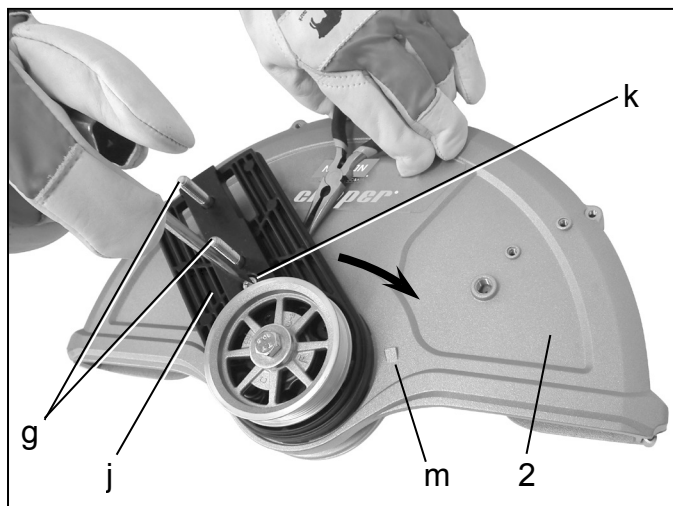


Preparation

- Put the power tool on level ground.
- Remove the cut-off wheel: → Chap. 5.3, page 17
- Remove the water supply line (30): Unscrew the attachment screw (a) of the water supply line on the right and left sides of the wheel guard (2). Remove both adapter pieces (b) including the line from the wheel guard. Put down adapter pieces including line so that the line does not interfere with the following work steps and is not clamped.
- Remove handle for wheel guard adjustment (3). Loosen both attachment screws (c) of the handle for wheel guard adjustment and remove the handle.
- Loosen both attachment nuts (d) of the ribbed belt cover (14).
- Turn ribbed belt tension screw (13) towards the left, e.g. counter-clockwise, to reduce the ribbed belt tension. Turn until the square nut (e) has been moved towards the mark "-" as far as possible. When installing the cutting device in the center position (cf. figure), the square nut is all the way to the left; in case of installation in the outer position, it is located all the way to the right.
- Remove both attachment nuts (d) entirely.
- Remove the ribbed belt cover (14).

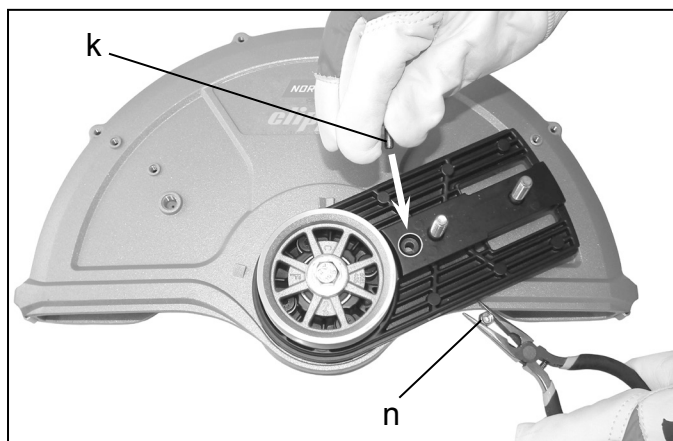
Remove wheel guard (2)

- Carefully move the wheel guard towards the motor unit. The screws (g) of the assembly flange (j) are moved within the oblong holes.
- Once the wheel guard has been moved towards the motor unit until the ribbed belt support (i) can be pulled through the ribbed belt (h), remove the wheel guard. Observe that the ribbed belt is not damaged by this.



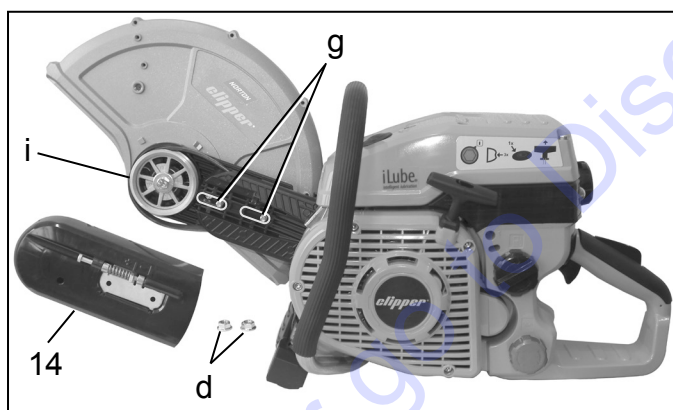
Loosen and turn assembly flange (j)

- Put the wheel guard on a level surface with the assembly flange (j) pointing up (screws (g) of the assembly flange point up).
- Turn out screw (k).
Hold the nut below the assembly flange with flat pliers.
- Twist the assembly flange against the wheel guard so that the receptacle bore for the screw (k) is located between the center stop and the right stop (m) on the wheel guard. The assembly flange is hard to twist. Securely hold the wheel guard when twisting.



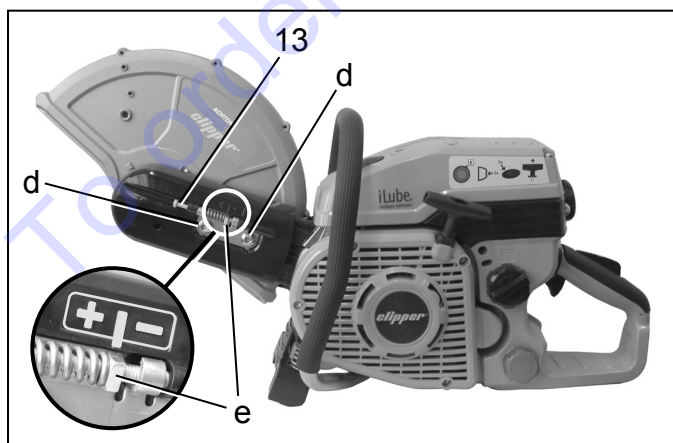
Limit wheel guard rotating angle with screw (k)

- Turn in screw (k) again.
For this, guide the nut (n) below the assembly flange with flat pliers and hold it when turning in the screw.
Turning of the wheel guard is limited by the stops on the wheel guard between which the nut can be moved.



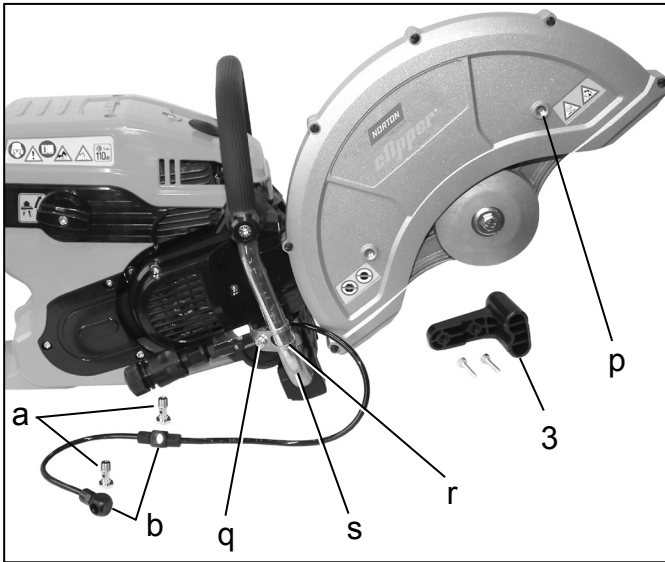
Install cutting device in the outer position

- Put the cutting device on the cutting device carrier in the outer position. For this, guide both screws (g) of the assembly flange through the oblong holes and put the ribbed belt support (i) into the ribbed belt.
- Check that the ribbed belt is running freely.
Correct placement of the ribbed belt if required.
- Put on the ribbed belt cover (14) again.



Adjust the ribbed belt tension

- Screw both attachment nuts (d) of the ribbed belt cover onto the assembly flange screws. Only tighten the nuts manually so that the ribbed belt tension can still be set.
- Turn ribbed belt tension screw (13) towards the right, e.g. clockwise, to increase the ribbed belt tension). The correct tension is reached when the square nut (e) is on the center mark, i.e. between "+" and "-".
- Tighten both attachment nuts (d) firmly.



Move water supply line attachment upwards



The water supply line must be placed so that contact between water supply line and cut-off wheel in operation is excluded in all positions of the wheel guard.

- Place the water supply line so that it runs on the outside of the wheel guard and not between the wheel guard and the assembly flange.
- Push the attachment screws (a) of the water supply line into the adapter pieces (b).
- Place the adapter pieces on the right and left sides of the wheel guard above the associated threaded holes (p) and screw in the water supply line attachment screws.

- Loosen the screw (q) of the clamp (r) until the clamp can be moved upwards at the blank spar of the top handle (s).
- Push the clamp upwards so far that the water supply line can never be in contact with the cut-off wheel.
- Check placement of the water supply line when the wheel guard is rotated all the way to the front and correct if required.

Install handle for wheel guard adjustment and cut-off wheel again

- Install the handle for wheel guard adjustment (3) again to the wheel guard with the respective attachment screws.
- Install the cut-off wheel: → Chap. 5.1, page 16

5.9 Initial starting / run-in behavior

After production, the power tool is subjected to an inspection and test process that ensures that the motor is then run in perfectly.

Therefore, no special measures are required for initial start-up.

6 Starting up and switching off the engine



Observe safety provisions!

6.1 Starting process



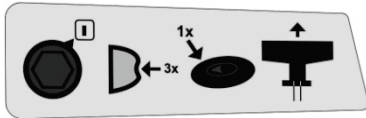
Starting preparations



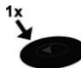

- Put the power tool level and free from obstacles on the flat floor and observe that the cut-off wheel does not touch any objects.
- Put the wheel guard into the best position for the planned use. → Chap. 5.4, page 18

Automatic mixture control for cold and warm start

The power tool has an electronically controlled carburetor. Therefore, no special settings are required for cold or warm start (e.g. manual operation of a choke).

Starting notes

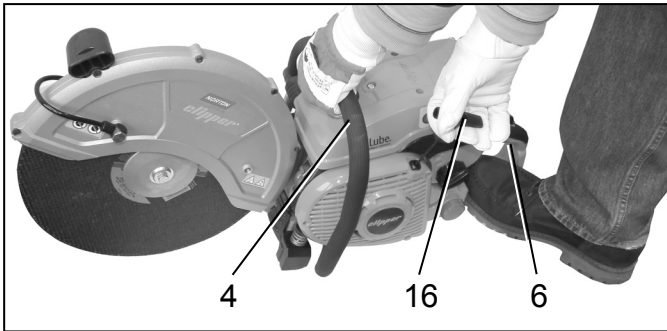


- 
 - Turn the stop dial to the operating position "1".
- 
 - Before the first start, operate the primer. → Chap. 4.5, page 14
- 
 - Before starting-up, push the decompression valve. → Chap. 4.5, page 14
 - Put the power tool in start-up position. → Chap. 6.2, page 25
- 
 - Pull on the starter handle. → Chap. 6.3, page 25

6.2 Start-up position



Avoid any contact between the cut-off wheel and body parts or objects.



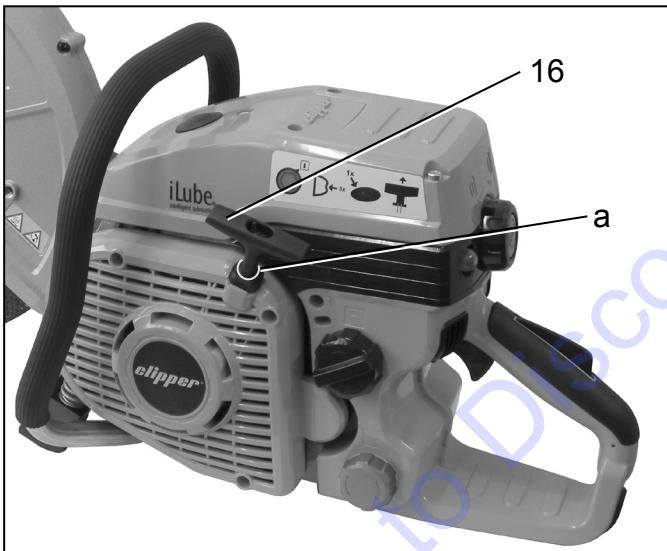
- Put one foot on the rear handle (6) to support the power tool against the floor.
- Securely hold the power tool at the top handle (4) with one hand and push it firmly onto the ground.
- Operate the starter handle with the other hand (16).

Other start-up positions are not permissible!

6.3 Switching on the engine



The following notes serve to increase the service life of the starter mechanism:



- Initially pull out the starter handle (16) slowly until resistance can be felt for start-up (upper dead point of the piston).
- Then quickly and strongly pull through the starter handle.
- Always pull out the rope straight.
- Do not let the rope scrape across the rope eyelet edge (a).
- Danger of breaking rope!
Do not pull out the rope to the stop.
- Always return the starter handle to its initial position – do not let it snap back.

Damaged starter ropes can be replaced by specialist workshops authorized by the manufacturer.

6.4 Switching off the engine

Release the throttle control and push the one-touch stop button.




Ensure that the cut-off wheel has stopped before putting down the power tool.

Recommendation: Turn the stop dial to "0" only for maintenance work to prevent accidental start-up of the engine. When operating the power tool, always push the one-touch stop button to switch off the engine.

7 Power tool use



 Always observe all safety notes and all other information in all chapters of these operating instructions for any work!

Check list for use (keywords only!) →

- Before start-up:
 - Power tool in an operationally safe condition! → Operating instructions complete
 - Prescribed work clothes → Chap. 3.3, page 7
 - Working area inspected and secured → Chap. 3.2, page 6, and chap. 3.9, page 10
 - Correct cut-off wheel firmly installed. → Chap. 5.1, page 16, and chap. 7.1, page 26
 - Wheel guard in best position → Chap. 5.4, page 18
 - Cutting device position, preferably center position → Chap. 5.8, page 21
 - Ribbed belt tension correct → Chap. 5.6, page 20
 - Tool properly fueled → Chap. 5.5, page 18
- Starting: → Chap. 6 complete, as of page 24
 - Starting preparations → Chap. 6.1, page 24
 - Stop dial in operating position → Chap. 6.1, page 24
- During work – generally safe work: → Operating instructions complete
 - Check idle settings → Chap. 8.3, page 31
 - Inspecting the working situation → Chap. 3.9, page 10, Chap. 7.2, page 27, and Chap. 7.3, page 28
 - Wet cutting preferred → Chap. 5.7, page 20
 - Secure working technique → Chap. 7.3, page 28, chap. 7.4, page 28, and chap. 7.5, page 28
 - Operating and maintenance notes complete → Chap. 8 complete, as of page 29
 - Air filter clean → Chap. 8.4, page 32
- After work: → Operating instructions complete
 - Cleaning and care → Chap. 8.1, page 29
 - Secure storage of power tool → Chap. 8.10, page 38
 - Maintenance → Operating instructions complete

7.1 Cut-off wheels



Only use cut-off wheels that correspond to the standards ANSI B7.1, EN 12413 and EN 13236 and that are undamaged.

The maximum spindle speed of the power tool is $4,550 \text{ min}^{-1}$ [4,550 RPM].

Only use high speed reinforced cut-off wheels marked with a permissible maximum operating speed of at least $4,550 \text{ min}^{-1}$ [4,550 RPM].

For processing of metals (hot cutting) and processing of mineral materials (cold cutting), different cut-off wheels are offered. Only use cut-off wheels approved for the material being cut.

Diamond cut-off wheels are only approved for cutting mineral materials. When installing the diamond cut-off wheel, always observe the rotating direction indicated on the diamond cut-off wheel; otherwise, the cutting effect will reduce quickly from diamond loss.

Rotating direction of the cut-off wheel in the installed condition: → Chap. 5.1, page 16

Abrasive resin cut-off wheels must not be exposed to moisture. The water connection for wet cutting must not be used when using abrasive resin cut-off wheels. Abrasive resin cut-off wheels must not be used in high humidity or in rain.

The power tool's spindle is designed for cut-off wheels with an inner bore of 20 mm.

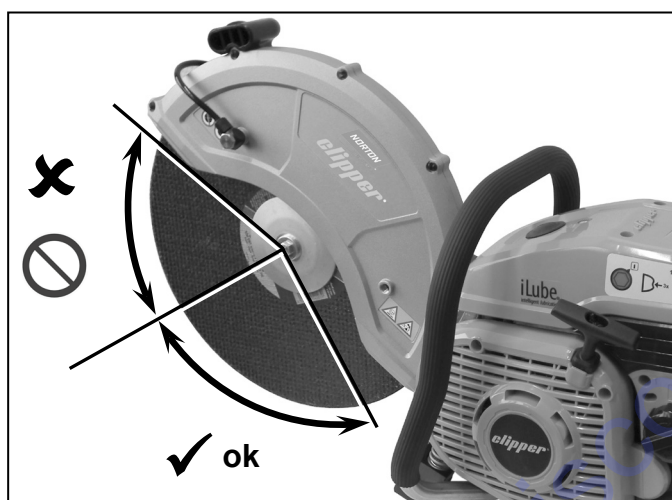
Cut-off wheels with a 1" inner bore must only be installed with the spindle adapter disk supplied with the power tool.

Installation of cut-off wheels with 1" inner bore: → Chap. 5.2, page 17

Cut-off wheels with other inner bores must not be installed! Never modify the bore of the cut-off wheel!

New cut-off wheels must be tested for at least 60 seconds at the indicated maximum speed before the first cutting process. No body parts must be located in the extended swivel range of the cut-off wheel.

7.2 Permissible cutting area and danger from kickback or pinching



✘ The upper part of the cut-off wheel must not be used for cutting!

✔ Only the lower part of the cut-off wheel must be used for cutting!



Danger of injury from kickback!

Kickback results when the upper part of the cut-off wheel is used for cutting.

The power tool is pushed towards the user's head uncontrolledly and at high speed.

- Never cut with the upper area of the cut-off wheel!
- Take special care at insertion into cutting areas already started!



Danger of injury from pinching!

Pinching results when the cutting point becomes more narrow (crack or tensioned work piece).

The power tool is accelerated forwards uncontrolledly and under high energy.

- Always perform cutting and repeated insertion into cutting points already started at the maximum speed.
- Always support the work piece so that the cutting point is under tension so that the cut-off wheel is not clamped when cutting any further.
- When starting cutting, carefully move the cut-off wheel to the work piece; do not apply it suddenly.
- Never cut several work pieces at once!
- Ensure that no other work piece is touched when cutting.

7.3 Working behavior and working technique

- For complex cutting processes, cutting direction and order of the cuts to be performed must be specified in advance to prevent pinching of the cut-off wheel by the removed part and injury from dropping parts.
- Always hold the power tool with both hands. Have the right hand on the rear handle, the left hand on the top handle. Firmly grasp the handles with your thumb.
- Operate the power tool at high speed when possible.
- Direction change (cutting radius below 5 m [approx. 15 ft]), side pressure, twisting or tilting of the power tool during cutting is forbidden.
- When shortening work pieces use a secure support and secure the work piece against slipping and twisting. The work piece must not be held with your foot or by another person.
- Always be ready for sudden kickback of the work piece and warrant the possibility of securely backing away.
- Make sure that cut-off sections cannot fall resulting in injury or property damage.

7.4 Cutting metal



Always wear breathing protection equipment at dry cutting.

Metals are heated and melted at the point of contact by the fast rotation of the cut-off wheel.

- Rotate the wheel guard down as far as possible for sparks to fly forward where possible, i.e. away from the user.
- Before cutting, specify and mark the cutting joint, and approach the material with the cut-off wheel at medium speed. Only when the guide groove is cut, continue cutting at full throttle and increased pressure.
- Only cut straight and vertically. Do not tilt or twist.
- For a secure and smooth cut, it is best to pull or to move the power tool in a controlled fashion. When moving the power tool, do not push the cut-off wheel into the material in addition to the thrust caused by the wheel's rotation.
- Large diameter round rods are best cut in steps.
- Thin tubes can be cut with a single sinking cut.
- Tubes with large diameters should be treated like large diameter rods. To avoid tilting and for better control of the cutting process, do not let the cut-off wheel sink into the material too far. Do not allow the mounting flanges of the cut-off wheel fastening to come into contact with the work piece.
- Double-T carriers or angled steel should be cut in steps.
- Steel bands or steel plates are cut like tubes; pulling flat with long cutting area.
- Material under stress (supported or material in a wall) always has to be grooved slightly on the compression side and then cut from the tension side so that the cut-off wheel is not pinched.

7.5 Cutting mineral materials

Cutting mineral materials such as concrete creates a lot of fine dust.

Recommendation: Use the water connection of the power tool and cut-off wheels suitable for wet cutting when cutting mineral materials.

When cutting with water supply, the dust is reduced, visibility is improved and the cut-off wheel service life is increased by the cooling effect of the water.

Water connection for wet cutting: → Chap. 5.7, page 20

Small pieces of mineral materials may be ejected from the cutting groove by the quick rotation of the cut-off wheel.

- Rotate the wheel guard down as far as possible so the cut particles are ejected away from the user.
- Mark the cutting line and grind a groove of approx. 5 mm [approx. 3/16"] along the entire line at half throttle that will guide the power tool precisely for the subsequent cutting process.
- Perform the cutting process with even movements back and forth.
- When fitting stone plates, application of a flat groove is sufficient (avoiding unnecessary dust formation), to then cleanly strike off the protruding piece on a flat support.

8 Operating and maintenance notes



Maintenance and repairs of state-of-the-art power tools and their safety-relevant assemblies require qualified specialist training and a workshop equipped with special tools and test devices.

Recommendation: Have all work not described in these operating instructions and all work you are not comfortable with be performed by a specialist workshop authorized by the manufacturer. The specialist has the required training, experience and equipment and can make the most cost-efficient solution available to you. He will advise and support you.



Observe the safety provisions for any maintenance work!



After a run-in time of approx. 5 operating hours, all screws and nuts that can be reached (except for carburetor adjustment screws) must be checked for tight fit and tightened again if required.

It is best to keep the power tool in a dry and safe site with a full fuel tank.

There must not be any open sources of fire or the like nearby.

Before extended storage (> 4 weeks), observe the notes in chap. 8.10 on page 38.

8.1 Cleaning and care



The power tool must be cleaned thoroughly after every use and checked for damage; in particular the cooling air openings in the starter housing must be clean and free.

Inside the wheel guard, material deposits will form over time (in particular when wet cutting), which may impair free rotation of the cut-off wheel.

Only use the environmentally compatible cleaning agents offered by specialist vendors for cleaning. Never use fuel to clean!

- Disassemble cut-off wheel and outer mounting flange. → Chap. 5.3, page 17
- Remove material deposits inside the wheel guard with a wood bar or similar.
- Clean spindle and all disassembled parts and check them for damage.
- Clean cut-off wheel and check it for damage. If any damage is found, dispose of the cut-off wheel properly and immediately so that it is not reused in the next work deployment.
- Inspect the wheel guard for damage. If damaged, replace the wheel guard by an undamaged wheel guard before using the power tool and dispose of the damaged wheel guard properly and immediately.
- Install outer mounting flange, any other parts and cut-off wheel again. → Chap. 5.1, page 16

8.2 Cleaning the screen filter insert of the connection piece

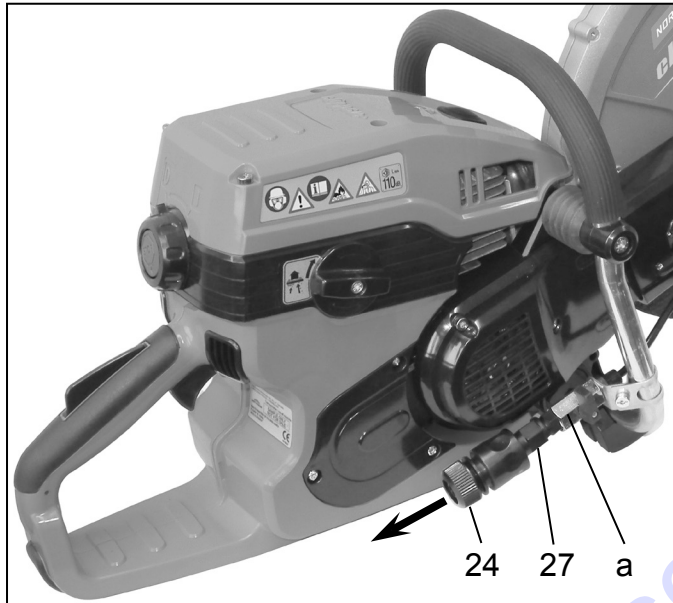


The connection piece for the water supply line for wet cutting is equipped with a screen filter insert to prevent closure of the water supply line by contamination in the supplied water.

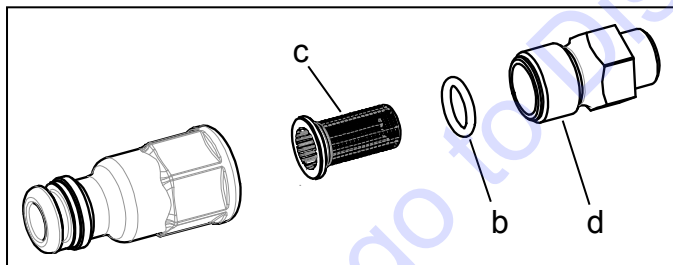
Water connection for wet cutting: → Chap. 5.7, page 20

! Danger of contamination for the water supply line!
Only open the water connection in a clean environment.

At a weekly interval or when there is no longer enough water supplied for wet cutting, the screen filter insert of the connection piece must be removed as follows and cleaned thoroughly:



- Switch off the engine and turn the stop dial to "0".
Switching off the engine: → Chap. 6.4, page 25
- Remove the connection of the water supply line. For this, remove the coupling connection (24) from the screen filter connection piece (27) of the water supply line in the direction of the arrow.
- Turn out screen filter connection piece with suitable open-faced spanner from connection (a) of the water supply line.
- Disassemble screen filter connection piece (27) with suitable open-faced spanner.
- Remove screen filter insert (c) from screen filter receptacle (d) of the connection piece.
- Remove seal (b) from the screen filter insert.
- Flush the screen filter insert, the coupling connection, both parts of the screen filter connection piece and the seal with clean water until all residue of contamination has been removed.
- Push the seal (b) again on the screen filter insert.
- Re-insert the screen filter insert with the seal (b) in the screen filter receptacle (d) of the connection piece in the correct direction (see figure).
- Screw together the screen filter coupling piece.
- Screw the screen filter coupling piece into the connection (a) of the water supply line again.
- Push on the coupling connection again.

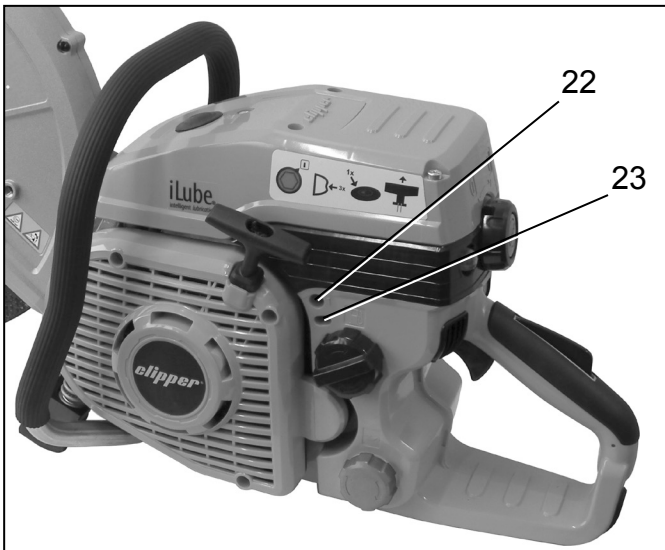


8.3 Idle/carburetor adjustment



The cut-off wheel must not rotate when idling!

The idle position must be inspected every time when taking up work and corrected if required.



For correct idle position, the motor should run smoothly in the idling mixture without driving the cut-off wheel.

The carburetor is preset perfectly at the factory. Depending on site of deployment, the idle settings may have to be adjusted via the idle stop screw "T" (22).

The carburetor adjustment screws "L" (idle mix control) and "H" (full load mix control) (23) must only be set by specialist workshops authorized by the manufacturer.

Idle stop screw "T"

The idle stop screw "T" can be adjusted with the small screwdriver from the delivery.

The air filter must be clean for correct adjustment. Air filter maintenance: → Chap. 8.4, page 32

Let the engine warm up before performing adjustments.

To set the idle speed indicated in the technical data (chap. 4.6, page 15), proceed as follows – preferably using a speed meter:

- Idle speed too high (in particular if the cut-off wheel is already driven without throttle):
 - Open the idle stop screw "T" counter-clockwise a little.
- Idle speed too low (i.e. the engine goes out with the idling mixture):
 - Close the idle stop screw "T" clockwise a little until the engine runs smoothly with the idling mixture without going out.


If a perfect carburetor setting cannot be achieved by turning the idle stop screw "T", have the carburetor set by a specialist workshop authorized by the manufacturer.

8.4 Air filter maintenance




A contaminated air filter will reduce output. Fuel consumption and hazardous substance quantity in the exhaust increase. Starting is made more difficult as well.

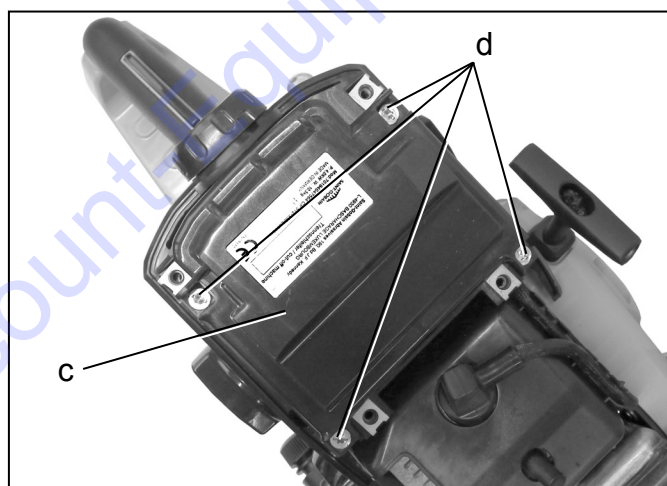
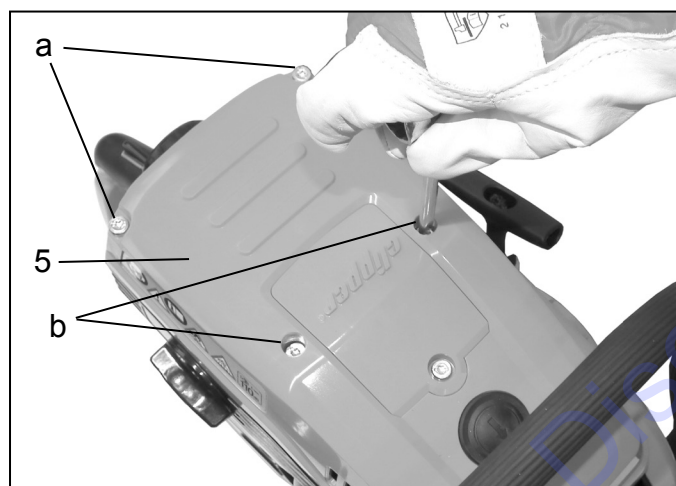
Interim emptying of the air filter

 Turn vibration dial (29) to perform rough interim emptying of the air filter during work. The air filter box and air filter are shaken so that loose dust falls off. Slightly tilt the power tool back and let dust fall out of the intake openings. Turn the vibration dial repeatedly if required.

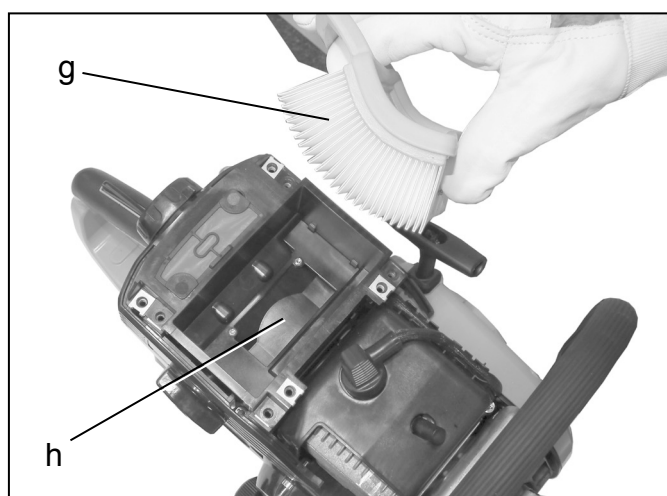
Cleaning the air filter


At weekly intervals or when the engine output is clearly reduced, the air filter must be removed and cleaned thoroughly.


 **Danger of contamination for the filter inside!**
Only open the guard and air filter box lid in a clean environment.




- Switch off the engine and turn the stop dial to "0". Switching off the engine: → Chap. 6.4, page 25
- Loosen all four attachment screws (a) and (b) of the guard (5). Remove guard.
- Loosen all four attachment screws (c) of the air filter box lid (d) and take off the air filter box lid.



 The fine-mesh cover (f) and the air filter (g) must not be cleaned wet or with compressed air.


 Danger of engine damage from insufficient filter effect!
Replace damaged filter material at once!

- Take air filter by the air filter frame (e) and remove upwards.
- Simple contact or brush out of the individual paper layers (g) is best to clean the air filter.
- Take power tool with both hands to empty the air filter box (h).
- De-dust fine-meshed cover (f) next to the air filter box with a dry brush.
- Insert air filter again.
- Install housing parts again.

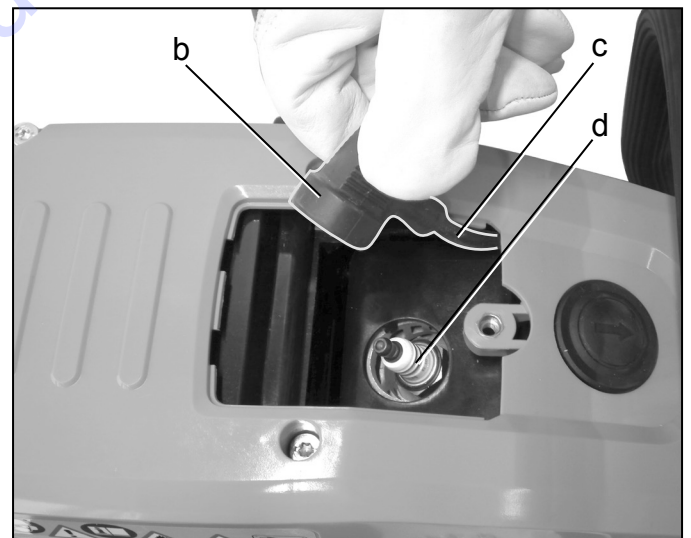
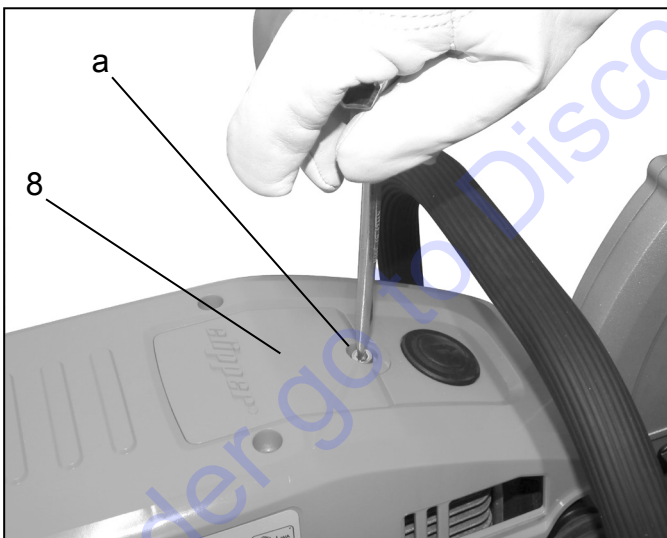
 At re-installation of the housing parts, ensure correct placement of the housing parts, use the corresponding screws and tighten all screws again.
The guard attachment screws (a) and (b) must not be swapped. The two guard attachment screws (b) are shorter than the screws (a).

8.5 Spark plugs check and replacement if required



 Danger of contamination for the power tool inside!
Only open the spark plug cover in a clean environment.

The spark plug must be inspected regularly every 50 operating hours.



- Switch off the engine and turn the stop dial to "0". Switching off the engine: → Chap. 6.4, page 25
- Loosen attachment screw (a), lift spark plug cover (8) by the tab and then remove it.
- Remove spark plug connector (b) from the spark plug (d) below.



Danger of fire from spark formation!

Do not start up the engine with the spark plug (d) unscrewed or the ignition cable (c) removed from the plug.

- Unscrew spark plug (d) and dry off well.
- Clean spark plug with dry cloth and check electrodes. There must not be any foreign material between the electrodes. Brush out any foreign bodies with a spark plug brush.
- If the electrodes are strongly burned down, the spark plug must be replaced at once – otherwise, it must be replaced after 100 operating hours.



0.5 mm [approx. 0.02"]

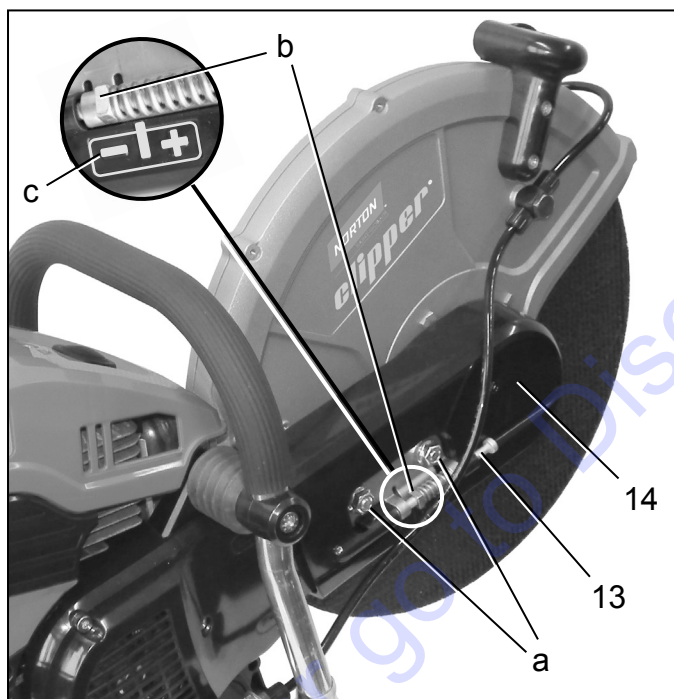
- Proper electrode distance: 0.5 mm [approx. 0.02"]
Replace the spark plug if the electrode distance is incorrect.
The following interference-suppressed spark plugs are approved for use in this power tool:
BOSCH WSR6F, CHAMPION RCJ-6Y and NGK BPMR7A
Use of other spark plugs is not allowed!

- Check ignition cable (c) for proper connection and intact insulation. If the insulation is damaged, do not continue work, but order repair from a specialist workshop authorized by the manufacturer.
- Screw in spark plug (d) again. Torque: 25 Nm [18.4 ft-lbf]
- Push the spark plug connector (b) onto the spark plug (d) firmly at reattachment.
- Re-install the spark plug cover (8).

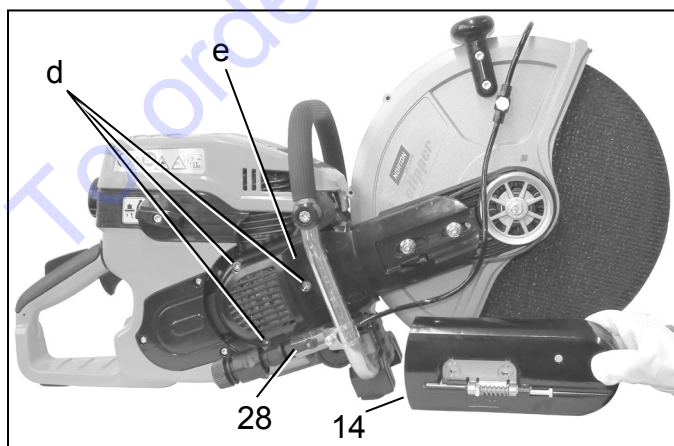
8.6 Ribbed belt replacement



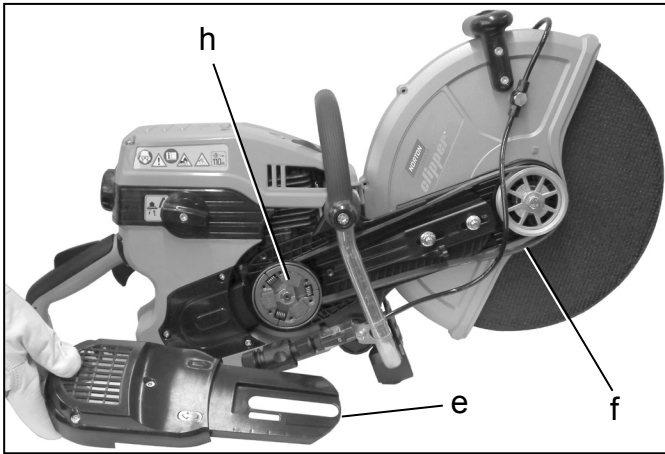
- ! Danger of contamination of ribbed belt, associated carrier structure and coupling!
Only open the ribbed belt cover and coupling cover in a clean environment.



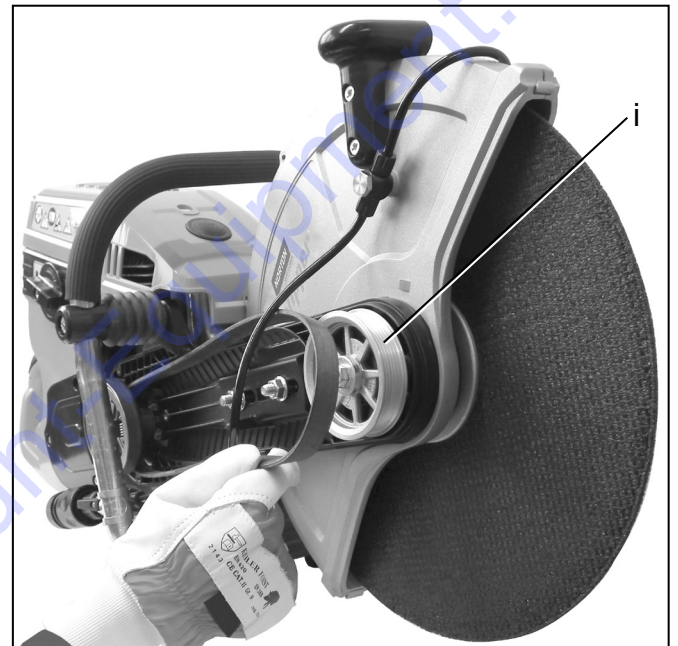
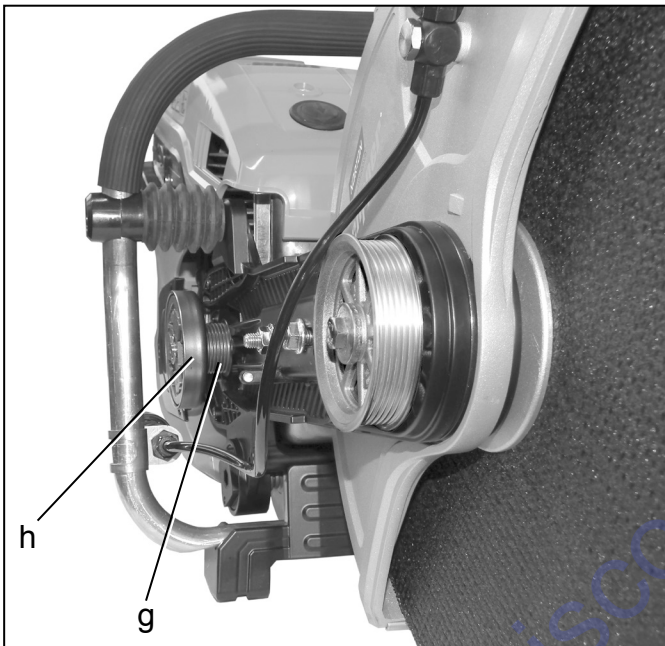
- Switch off the engine and turn the stop dial to "0".
Switching off the engine: → Chap. 6.4, page 25
- Shut off water supply to the power tool.
- Put the power tool on level ground.
- Loosen both attachment nuts (a) of the ribbed belt cover (14).
- Turn ribbed belt tension screw (13) towards the left, e.g. counter-clockwise, to reduce the ribbed belt tension.
Turn until the square nut (b) has been moved towards the mark "-" (c) as far as possible.
When installing the cutting device in the center position (cf. figure), the square nut is all the way to the left; in case of installation in the outer position, it is located all the way to the right.
- Remove both attachment nuts (a) entirely.
- Remove the ribbed belt cover (14).



- Screw the attachment nuts (a) of the ribbed belt cover (14) onto the associated screws again and tighten only slightly so that the separating device cannot fall off again.
- Loosen all 3 attachment screws (d) of the coupling cover (e).
The screws only need to be loosened until they can be turned very easily. It is not necessary to turn out the screws entirely, since the screws should remain in the cover.



- Put the valve lever (28) for the water supply parallel to the connection piece so that it does not interfere with the following work step.
- Remove the coupling cover (e).
- Remove the old ribbed belt (f) or any residue of the old ribbed belt and any other foreign bodies.
- Use a small brush or paintbrush to clean the open area.
- Place a new ribbed belt on the grooved running surface (g) on the drive side behind the coupling bell (h).



- Put the other side of the ribbed belt on the grooved running surface (i) of the ribbed belt support on the output side. Check that the ribbed belt is running freely. Correct placement of the ribbed belt if required.
- Put on the coupling cover again and check that the ribbed belt is still running freely. If required, remove the coupling cover again and correct placement of the ribbed belt.
- Tighten all 3 attachment screws (d) of the coupling cover (e) again.
- Check that the ribbed belt is still running freely. If required, loosen the coupling cover screws again and correct placement of the ribbed belt.
- Unscrew both attachment nuts (a) of the ribbed belt cover again.
- Put on the ribbed belt cover (14) again.
- Screw on both attachment nuts (a) of the ribbed belt cover again. Only tighten the nuts manually so that the ribbed belt tension can still be set.
- Turn ribbed belt tension screw (13) towards the right, e.g. clockwise, to increase the ribbed belt tension. The correct tension is reached when the square nut (b) is on the center mark, i.e. between "+" and "-".
- Tighten both attachment nuts (a) of the ribbed belt cover.
- Close the water supply valve lever, i.e. put the valve lever across the connection piece.

8.7 Fuel filter replacement



The fuel filter in the fuel tank must be replaced as part of the annual customer service in a specialist workshop authorized by the manufacturer.

8.8 Maintenance plan










The following notes refer to regular usage situation. Under special conditions, such as long daily working times, the maintenance intervals stated must be reduced accordingly.

Perform maintenance work at regular intervals. Charge a specialist workshop authorized by the manufacturer if you cannot perform all work on your own.

The owner of the power tool is also responsible for:

- Damage from unprofessional or belated maintenance or repair work
- Subsequent damage – also corrosion – in case of improper storage

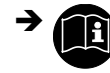
		Once after 5 operating hours	Before and during each working operation	Weekly	Every 50 operating hours	Every 100 operating hours	On demand	At start-up / annually
 Cooling air openings in the starter housing	Clean	X					X	
 Carburetor → Chap. 8.3, page 31	Check idling	X						
	Set idling (screw "T")						X	
	Set carburetor (screws "L"/"H") (for specialist workshops only)						X	
 Air filter → Chap. 8.4, page 32	Interim emptying of the air filters	X					X	
	Clean air filter thoroughly			X			X	
	Replace						X	
 Screen filter of the water supply line → Chap. 8.2, page 30	Clean			X			X	
 Spark plug → Chap. 8.5, page 33	Check firm seat of ignition cable and spark plug connector	X					X	
	Check electrode distance and replace spark plug if required				X			X
	Replace					X	X	
 All screws in reach (except for adjustment screws)	Re-tighten	X					X	X
Operating units (stop button/switch, throttle control, throttle control lock, starter)	Check function		X					
 Entire power tool	Visual condition inspection		X					
	• Check cut-off wheel and muffler for damage.							
	• Check tank cap for tightness							
	• Check ribbed belt tension → chap. 5.6, page 20		X					
	Clean			X			X	X

Furthermore, a specialist workshop authorized by the manufacturer must be charged, among others, with the following service in the scope of the annual customer service:

- Complete inspection of the entire power tool
- Professional motor cleaning (fuel tank, cylinder ribs, ...)
- Inspection and, if applicable, replacement of the wear parts, in particular annual replacement of the fuel filter
- Best settings of the carburetor

8.9 Self-aid advice

Possible malfunctions:



- Engine does not start up
 - Stop dial
 - Turn the stop dial to the operating position "1". → Chap. 6.1, page 24
 - Spark plug
 - Clean or replace → Chap. 8.5, page 33
 - Old fuel
 - Empty and clean tank, fuel up with fresh fuel → Chap. 5.5, page 18
- Cut-off wheel is not accelerated properly
 - Foreign body inside the wheel guard
 - Clean wheel guard → Chap. 8.1, page 29
 - Ribbed belt tension too low
 - Correctly set ribbed belt tension → Chap. 5.6, page 20
- Cut-off wheel rotates in idle operation
 - Idle stop screw "T"
 - Correctly adjust idle stop screw "T" → Chap. 8.3, page 31
 - Coupling defective
 - Service workshop
- Bad engine output
 - Air filter clogged
 - Clean air filter thoroughly → Chap. 8.4, page 32
 - Carburetor settings (L/H-settings)
 - Service workshop
- Insufficient or no water supply in wet cutting
 - Valve lever of the water supply line not opened
 - Open valve lever → Chap. 5.7, page 20
 - Connection of the water supply closed
 - Open water supply
 - Water supply pressure tank empty or pressure-relieved
 - Replenish water or recover pressure supply
 - Screen filter insert contaminated
 - Thoroughly clean screen filter insert → Chap. 8.2, page 30
- Changed noise emission and motor does not reach high speeds (only for models CP512-300i and CP514-350i)
 - Not enough engine oil in the oil tank
 - Fuel up engine oil → Chap. 5.5, page 18

8.10 Shutting down and storage

Before shutting down and storage, the power tool must be cleaned thoroughly and checked for damage.

Cleaning and care: → Chap. 8.1, page 29

Only store the power tool in dry rooms. There must not be any open sources of fire or the like nearby. Prevent unauthorized use – in particular by children.

Before extended storage, (> 4 weeks) additionally empty the tanks for operating materials in a well-ventilated location and clean them. Start engine with the fuel tank empty and empty the carburetor until the engine goes out. Oil residue from the fuel lubrication may otherwise close the carburetor nozzles and make start-up more difficult later.

9 Warranty

The manufacturer warrants perfect quality and assume the costs for any subsequent improvement by replacement of defective parts in case of material or production errors that occur during the warranty period after the day of sale.

Please observe that specific warranty conditions apply in some countries. In doubt, ask your vendor. He as a vendor of the product is responsible for the warranty.

Please understand that the manufacturer cannot assume any warranty for the following damage causes:

- Failure to follow the operating instructions.
- Failure to perform required maintenance and cleaning.
- Damage due to improper carburetor settings.
- Normal wear and tear.
- Obvious overload.
- Use of other than approved working tools.
- Application of force, improper treatment, misuse, abuse or accident.
- Overheating damage due to contamination of the fan housing.
- Repair by unauthorized personnel.
- Use of unapproved replacement parts or other than original parts if they caused the damage.
- Use of unsuitable or outdated operating materials.
- Damage due to the usage conditions from renting.

Cleaning, care and adjustment work are not deemed warranty services.

Warranty services must be ordered from a specialist workshop authorized by the manufacturer.

10 Wear Parts

Several components are subject to wear in operation or regular wear and may have to be replaced in time. The following wear parts are not subject to the manufacturer's warranty:

- Operating materials
- Air filter
- Fuel filter
- Clutch
- Spark plug
- Starting device
- Cut-off wheel

11 Emission control warranty statement

11.1 Your Warranty Rights And Obligations

The EPA (The US Environmental Protection Agency) and Saint-Gobain Abrasives, Inc. are please to explain the emissions control system warranty on your 2013 and later small nonroad engine. In the U.S. all new small nonroad engines must be designed, built, and equipped at the time of sale to meet the U.S. EPA regulations for small nonroad engines. The engine must be free from defects in materials and workmanship which would cause it to fail to conform with U.S. EPA regulations and standards for the first two (2) years of use from the date of sale to the ultimate purchases. Saint-Gobain Abrasives, Inc. must warrant the emission control system on your small nonroad engine for the period of time listed below provided there has been no abuse, neglect, or improper maintenance of your small nonroad equipment engine. The emission control system includes parts such as the carburetor and the ignition system. The emissions warranty may also include hoses, connectors, and other emission related components. Where a warrantable condition exists, Saint-Gobain Abrasives, Inc. will repair your small nonroad engine at no cost to you. Expenses covered under warranty include diagnosis, parts and labor.

11.2 Manufacturer's Warranty Coverage

The 2013 and later small nonroad engines are warranted for two (2) years. If any emission related part on your engine (as listed above) is defective, the part will be repaired or replaced by Saint-Gobain Abrasives, Inc. free of charge.

11.3 Owner's Warranty and Responsibilities

As the small nonroad engine owner, you are responsible for the performance of the required maintenance listed in your Operator's Manual. Saint-Gobain Abrasives, Inc. recommends that you retain all receipts covering maintenance on your small nonroad engine, but Saint-Gobain Abrasives, Inc. cannot deny warranty solely for the lack of receipts or for your failure to ensure the performance of all scheduled maintenance. As the small nonroad engine owner, you should, however, be aware that Saint-Gobain Abrasives, Inc. may deny you warranty coverage if your small nonroad engine or a part of it has failed due to abuse, neglect, improper maintenance, unapproved modifications or the use of parts not made or approved by the original equipment manufacturer. You are responsible for presenting your small nonroad engine to a Saint-Gobain Abrasives, Inc. authorized servicing center dealer as soon as a problem exists. The warranty repairs should be completed in a reasonable amount of time, not to exceed 30 days. If you have any questions regarding your warranty rights and responsibilities.

11.4 Coverage by Saint-Gobain Abrasives, Inc.

Saint-Gobain Abrasives, Inc. warrants to the ultimate purchaser and each subsequent purchaser that your nonroad equipment engine will be designed, built, and equipped at the time of sale to meet all U.S. EPA applicable emission regulations and standards. Saint-Gobain Abrasives, Inc. also warrants to the ultimate purchaser and each subsequent purchaser that the engine is free from defects in materials, design, and workmanship which cause the engine to fail to conform with applicable U.S. EPA emission for a period of two (2) years.

11.5 Warranty Period

If any emissions related component on your engine is found to be defective during the emissions warranty period Saint-Gobain Abrasives, Inc. will replace that part at no charge to the owner. The warranty period begins on the date small nonroad engine is delivered. Any warranted part which is not scheduled for replacement as required maintenance, or which is scheduled only for regular inspection to the effect of "repair or replace as necessary" shall be warranted for two (2) years. Any warranted part which is scheduled for replacement as required maintenance shall be warranted for the period of time up to the first scheduled replacement point for that part.

11.6 Length Of Coverage

Saint-Gobain Abrasives, Inc. to the initial owner and each subsequent purchaser that the engine is free from defects in materials and workmanship which cause the failure of a warranted part for a period of two (2) years.

11.7 What Is Covered

Repair or replacement of any warranted emissions part will be performed at no charge to the owner at an approved Saint-Gobain Abrasives, Inc. servicing dealer. If you have any questions regarding your warranty rights and responsibilities.

Listed below are the parts covered by the emission components defect warranty.

Some of the parts listed below may require scheduled maintenance and are warranted up to the first scheduled replacement point for that part.

- Fuel metering system
 - Carburetor and internal parts
 - Fuel filter, if applicable
 - Throttle stopper, if applicable
 - Choke system, if applicable
- Air induction system
 - Air cleaner plate, air filter
 - Air cleaner case, intake manifold
- Ignition system
 - Spark plugs
 - Flywheel magneto
 - Ignition coil
- Miscellaneous items used in the above systems
 - Fuel hoses
 - clamps and sealing gaskets

11.8 Diagnosis

The owner shall not be charged for diagnostic labor which leads to the determination that a warranted part is defective, if the diagnostic work is performed at an approved Saint-Gobain Abrasives, Inc. servicing dealer. However, if a warranty claim is made and the machine is tested as non-defective Saint-Gobain Abrasives, Inc. will charge you for the cost of the emission test. Mechanical diagnostic will be performed at an authorized Saint-Gobain Abrasives, Inc. servicing dealer. Emission testing may be performed at Saint-Gobain Abrasives, Inc. or any independent emissions test laboratory.

11.9 Consequential Damages

Saint-Gobain Abrasives, Inc. may be liable for damages to other engine components caused by the failure of a warranted part still under warranty.

11.10 Limitations

Any failures caused by abuse, improper maintenance, or neglect are not covered. Repairs or replacements not conforming to Saint-Gobain Abrasives, Inc. specifications that affect the performance or durability, or other modifications not approved in writing by Saint-Gobain Abrasives, Inc. Saint-Gobain Abrasives, Inc. is not liable for any failures of warranted emission components caused by the use of add on or modified parts.

11.11 How To Make a Claim

Bring the product to any Saint-Gobain Abrasives, Inc. authorized service center along with proof of purchase.

11.12 Maintenance Statement

The owner of this product is responsible for all required maintenance as stated in the operation manual.

Instructions d'emploi de la découpeuse à disque CP512-300 / CP514-350 // CP512-300i / CP514-350i

Chère cliente, cher client,

nous vous remercions beaucoup de vous être décidé pour ce produit de qualité de notre maison.

Depuis de nombreuses décennies, nous fabriquons des appareils à moteur à essence portatifs et à porter sur le dos. Une expérience qui profite aujourd'hui à chacun de nos appareils à moteur dans tous les détails.

Des matériaux de construction modernes en association avec notre savoir-faire, garantissent une longévité importante et une valeur de service élevée de l'appareil à moteur.

Les types de machines de cette série sont des découpeuses à disque de fabrication allemande de très grande qualité, spécialement conçues pour les exigences élevées d'un usage professionnel. Un moteur à deux temps de grande puissance à un seul cylindre de conception nouvelle, cylindre vertical avec revêtement Nikasil® selon la technique de transfert à quatre canaux qui a fait ses épreuves, pour une puissance élevée avec une faible consommation de carburant et avec les dernières technologies en matière de gaz d'échappements propres garantit une valeur de service élevée de la machine.

Allumage électronique sans entretien, système anti-vibration préservant la santé, procédé d'aspiration breveté par double flux, système d'agitation particulièrement pour permettre le vidage intermédiaire particulièrement aisé du filtre à air pendant le travail,

raccordement d'eau utilisable optionnellement avec une alimentation d'eau du disque afin de réduire la poussière en travaillant,

solutions intelligentes avec un contrôle électronique du carburateur pour un démarrage simple ainsi

qu'une organisation ergonomique et méthode de construction extrêmement compacte

assurent un excellent confort d'utilisation et facilitent les travaux quotidiens avec l'appareil à moteur.

L'équipement de sécurité correspond à la technique la plus récente et satisfait à toutes les prescriptions de sécurité nationales et internationales. Il comprend entre autre :

- Bouton d'arrêt à pression unique
- Blocage de la manette des gaz
- Limitation électronique du régime
- Installation de protection du disque
- Système d'arrêt moteur pour les besoins de la maintenance



Lisez soigneusement ces instructions d'emploi avant le premier démarrage et respectez toujours tous les règlements de sécurité et les instructions de maniement. Si vous deviez encore avoir d'autres questions après la lecture de ces instructions d'emploi, veuillez vous adresser à votre revendeur spécialisé.



Pour conserver l'efficacité de votre appareil à moteur pour longtemps, vous devriez observer précisément les instructions d'entretien.

Emballage et mise au rebut

Gardez l'emballage d'origine protégeant des dommages de transport pour le cas où un envoi ou un transport ultérieur serait nécessaire. Si le matériel d'emballage n'est plus nécessaire, mettez le au rebut en conformité avec la réglementation locale. Le matériel d'emballage en carton sont des matières premières et de ce fait sont réutilisable ou peuvent être remis de le cycle de recyclage.

À l'écoulement de la période d'utilisation, l'appareil à moteur doit être mis au rebut selon les dispositions de la législation locale.

Réserves de modifications

Dans l'objectif de continuer à développer l'appareil à moteur, le droit d'apporter des modifications du volume de livraison, tant au niveau de la forme, de la technique et de la configuration est réservé.

Nous vous remercions de votre compréhension sur le fait que les indications et illustrations de cette notice ne peuvent donner droit à des exigences.

Garantie

Le fabricant garantit une qualité impeccable et prend en charge les coûts d'amélioration en remplaçant des parties défectueuses dans le cas de défaut de fabrication ou de matériel survenant pendant la période de garantie suivant le jour de la vente.

Veillez considérer que dans certains pays, des conditions de garantie spécifiques sont valables. En cas de doutes, demandez votre revendeur. En tant que revendeur, il est responsable du produit. Nous vous remercions de votre compréhension sur le fait que nous ne saurions garantir les causes de défauts suivantes :

- Non respect des instructions d'emploi.
- Omission des travaux de nettoyage et d'entretien nécessaires.
- Dommages provenant d'un réglage de carburateur inadéquat.
- Usure par une usure normale.
- Surcharge évidente par un dépassement continu du plafond de performance.
- Utilisation d'outils de travail non agréés.
- Utilisation de la force, traitement inadéquat, abus ou accident
- Dommages de surchauffe causés par la salissure sur le boîtier du ventilateur.
- Réparations effectuées par un personnel non autorisé.
- Utilisation de pièces de rechange non originales et/ou de pièces inadéquates, pour autant qu'elles ont causé les dommages.
- Utilisation de consommables inadéquats ou stockés trop longtemps.
- Dommages qui sont dus à des conditions de travail en lien avec la location de l'appareil.

Les travaux de réglage, de nettoyage et de soins ne sont pas reconnus comme une prestation de garantie.

Les prestations sous garantie sont à faire réaliser par un atelier spécialisé agréé par le fabricant.

Déclaration de conformité UE

Les brevets suivants ont été accordés :

- PCT/EP2011067574 (graissage séparé)
- US20120152200 (boîte à air)
- US20100206278
- US20100000846
- US20090007435
- EP2011594
- EP2011991
- EP2011992

Pièces d'usure

Différents éléments sont soumis à une usure liée à l'utilisation et/ou à une usure normale et doivent éventuellement être remplacés à temps.


Les pièces d'usure suivantes ne sont pas couvertes par la garantie du fabricant :


- Consommables
- Filtre à air
- Filtre à carburant
- Embrayage
- Bougie
- Dispositif de démarrage
- Disque

Garantie	2
Déclaration de conformité UE	2
Pièces d'usure.....	2
1 Au sujet de ces instructions d'emploi	4
1.1 <i>Méthodes de représentation utilisées dans ces instructions d'emploi</i>	<i>4</i>
2 Symboles d'avertissement, d'instructions et d'indications	4
3 Prescriptions de sécurité	6
3.1 <i>Utilisation conforme</i>	<i>6</i>
3.2 <i>Indications de sécurité générales</i>	<i>6</i>
3.3 <i>Tenue de travail préconisée / EPP (Équipement de protection personnel)</i>	<i>8</i>
3.4 <i>Lors du remplissage du réservoir</i>	<i>8</i>
3.5 <i>Lors du transport.....</i>	<i>9</i>
3.6 <i>Lors du montage, du nettoyage, de la maintenance et des réparations.....</i>	<i>9</i>
3.7 <i>Avant de démarrer</i>	<i>10</i>
3.8 <i>Au démarrage.....</i>	<i>10</i>
3.9 <i>Au travail.....</i>	<i>10</i>
3.10 <i>Emission de poussière.....</i>	<i>11</i>
4 Description de l'appareil à moteur	12
4.1 <i>Contenu de la livraison</i>	<i>12</i>
4.2 <i>Plaque signalétique</i>	<i>12</i>
4.3 <i>Données techniques</i>	<i>13</i>
4.4 <i>Vues de l'appareil ainsi que des éléments de commande et de fonctionnalités importants</i>	<i>14</i>
4.5 <i>Blocage du levier de gaz et levier de gaz</i>	<i>16</i>
4.6 <i>Éléments de démarrage</i>	<i>16</i>
5 Préparation des travaux	17
5.1 <i>Montage du disque</i>	<i>17</i>
5.2 <i>Montage de disques d'un diamètre intérieur de 1"</i>	<i>18</i>
5.3 <i>Démontage du disque.....</i>	<i>18</i>
5.4 <i>Ajustage du capot de protection</i>	<i>19</i>
5.5 <i>Ravitaillement en carburant.....</i>	<i>19</i>
5.6 <i>Réglage de la tension de la courroie cannelée.....</i>	<i>21</i>
5.7 <i>Branchement d'eau pour la coupe humide</i>	<i>21</i>
5.8 <i>Modifier le dispositif de coupe de la position centrale en position extérieure</i>	<i>22</i>
5.9 <i>Première mise en service / rodage</i>	<i>24</i>
6 Démarrage et arrêt du moteur	25
6.1 <i>Procédure de démarrage.....</i>	<i>25</i>
6.2 <i>Position de démarrage.....</i>	<i>26</i>
6.3 <i>Démarrage du moteur.....</i>	<i>26</i>
6.4 <i>Arrêt du moteur.....</i>	<i>26</i>
7 Utilisation de l'appareil à moteur.....	27
7.1 <i>Disques.....</i>	<i>27</i>
7.2 <i>Zone de coupe autorisée et risque des forces de recul (Kickback) et risque d'entraînement.....</i>	<i>28</i>
7.3 <i>Comportement au travail et technique de travail</i>	<i>29</i>
7.4 <i>Coupe de métaux</i>	<i>29</i>
7.5 <i>Coupez les matériaux minéraux</i>	<i>29</i>
8 Instructions de fonctionnement et de maintenance	30
8.1 <i>Nettoyage et soins</i>	<i>30</i>
8.2 <i>Nettoyage de la cartouche du filtre à tamis de l'accouplement.....</i>	<i>31</i>
8.3 <i>Ralenti / réglage du carburateur</i>	<i>32</i>
8.4 <i>Entretien du filtre à air.....</i>	<i>32</i>
8.5 <i>Vérification et éventuel remplacement de la bougie</i>	<i>34</i>
8.6 <i>Changement de la courroie cannelée.....</i>	<i>35</i>
8.7 <i>Remplacement du filtre à carburant.....</i>	<i>36</i>
8.8 <i>Plan de maintenance</i>	<i>37</i>
8.9 <i>Recommandation pour se dépanner</i>	<i>38</i>
8.10 <i>Mise hors service et conservation</i>	<i>39</i>
9 Déclaration relative à la garantie du dispositif antipollution.....	39

1 Au sujet de ces instructions d'emploi

Ces instructions d'emploi sont une partie intégrante et indispensable de l'appareil à moteur.

 Elles fournissent des indications et des instructions importantes pour l'utilisation de l'appareil à moteur. L'observation de tous les règlements de sécurité et instructions d'utilisation indiqués est une condition préalable pour un travail sûr avec et sur l'appareil à moteur.

 Ces instructions d'emploi doivent constamment être disponible au lieu d'emploi de l'appareil à moteur et doivent être lues attentivement par chaque personne qui est chargée de travaux avec et sur l'appareil à moteur (également de l'entretien, la maintenance et le dépannage).

Ces instructions d'emploi doivent être utilisées exclusivement comme manuel pour l'appareil à moteur de type CP512-300 / CP514-350 // CP512-300i / CP514-350i.

Chaque utilisation des contenus (textes et représentations graphiques) – même sous forme d'extraits – sans approbation écrite préalable du fabricant est interdite et peut être poursuivie juridiquement.

1.1 Méthodes de représentation utilisées dans ces instructions d'emploi

Mise en évidence de textes

Xxxxx Un texte souligné définit des sous-titres.

Xxxxx Des textes en italique désignent des informations et des remarques qui facilitent l'usage de l'appareil à moteur pour l'utilisateur.

1 Xxxxx Des textes sur fond noir et numérotés représentent les titres des chapitres principaux.

1.1 Xxxx Des textes sur fond gris et numérotés représentent les titres des sous-chapitres.

Xxxxxxx Les cadres définissent des paragraphes particulièrement mis en évidence.

Structure

Les instructions d'emploi sont subdivisées en chapitres et sous-chapitres numérotés. Le sommaire de la page 3 donne une vue d'ensemble de la structure.

Ligne d'en-tête

Pour faciliter la recherche rapide des différents chapitres pour l'utilisateur, le chapitre principal dont le contenu de la page respective fait partie, est affiché dans la ligne d'en-tête.

Représentations graphiques

Certaines représentations graphiques comprises dans ces instructions d'emploi sont des illustrations ou représentations de principe schématiques et ne montrent peut-être pas exactement votre modèle d'appareil. Les contenus fournis sont toutefois contractuels dans tous les cas.

Marques et marques commerciales déposées

Norton Clipper® est une marque déposée de la société Saint-Gobain Abrasives.

Toutes les autres raisons sociales et produits mentionnés dans ces instructions d'emploi sont des marques et/ou des marques commerciales des différents fabricants. L'utilisation de ces noms par des tiers pour leurs buts peut violer les droits des fabricants. L'absence des signes ® et/ou ™ n'entraîne pas forcément que la désignation est une marque libre.

2 Symboles d'avertissement, d'instructions et d'indications

Important : Si un ou plusieurs symboles se trouvent dans ces instructions d'emploi de manière centrée et directement sous une rubrique de chapitre, l'indication concerne l'ensemble du chapitre.

Symboles d'avertissement, d'instructions et d'indications utilisés dans ces instructions d'emploi et sur l'appareil à moteur :

Danger ! En cas de non respect de l'instruction, il y a un risque d'accidents avec des blessures mortelles.



Attention ! En cas de non respect de l'instruction, il y a un risque d'endommagement de l'appareil à moteur ou d'autres dégâts matériels.



Lisez soigneusement les instructions d'emploi. Est en principe en vigueur avant le démarrage et avant tous les travaux de nettoyage, d'entretien et d'assemblage.



Portez l'équipement personnel préconisé. → Chap. 3.3, page 8



Portez des chaussures de sécurité fermes avec des semelles à profil.



Portez des gants protecteurs lors de tous les travaux avec et sur l'appareil à moteur.



Avant de démarrer le moteur, mettre un casque, des protections auditives, une protection faciale et des lunettes de protection.



Coupez le moteur !



Il est interdit de fumer à proximité de l'appareil à moteur et à l'emplacement de ravitaillement !



L'appareil à moteur et les récipients de remplissage de combustible doivent être tenus à l'écart du feu ouvert.



Attention : Risque d'intoxication ! - L'appareil à moteur produit des gaz d'échappement.
- Les vapeurs d'essence sont toxiques
- Émissions de poussières dangereuses lors du travail.



Attention : Forces de recul (Kickback) !
Les indications du chap. 7.2 à partir de la page 28 doivent absolument être respectées !



Attention : Risque d'incendie par les projections d'étincelles.



Portez l'équipement de protection respiratoire.



N'utilisez pas de lames de scie circulaire.



Ne travaillez jamais avec un disque endommagé.



Travaillez exclusivement avec des disques homologués pour un régime $\geq 4.550 \text{ min}^{-1}$ [4.550 RPM].



Bouton rotatif d'agitation pour le vidage intermédiaire du filtre à air → Chap. 8.4, page 32



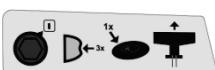
iLube® = Intelligent Lubrication
(graissage séparé, uniquement sur les modèles CP512-300i et CP514-350i).



Réservoir de carburant → Chap. 5.5, à partir de la page 19



Réservoir d'huile (bouchon vert, uniquement sur les modèles CP512-300i et CP514-350i)
→ Chap. 5.5, à partir de la page 19



Indications de démarrage → Chap. 6, à partir de la page 25

3 Prescriptions de sécurité

3.1 Utilisation conforme



Cet appareil à moteur doit être exclusivement utilisé pour séparer/couper des métaux (coupe à chaud) et des matières minérales, comme p. ex. le béton (coupe à froid), avec le disque agréé pour les matériaux respectifs et exclusivement pour les situations de travail indiquées dans le chap. 7 à la page 27. D'autres disques à tronçonner agréés, avec lesquelles différents matériaux composites peuvent être coupés sont en outre proposés aux utilisateurs particulièrement formés dans les opérations de sauvetage. Ces interventions spéciales peuvent être mises en œuvre exclusivement par des utilisateurs particulièrement formés. L'utilisation de cet appareil à moteur est exclusivement autorisée pour des travaux à l'extérieur.

L'utilisation de cet appareil à moteur dans tout autre but est interdite, comme par exemple scier du bois ainsi que pour enlever ou meuler d'autres matériaux avec la surface latérale du disque à tronçonner. Les outils tranchants non autorisés, comme p. ex. des lames de scie ou des couteaux, ne doivent pas être installés sur l'appareil à moteur.

3.2 Indications de sécurité générales



Veillez, avant la première mise en service, lire attentivement ces instructions, puis les conserver dans un endroit sûr et accessible. Elles doivent constamment être disponible au lieu d'emploi de l'appareil à moteur et doivent être lues par chaque personne qui est chargée de travaux avec et sur l'appareil à moteur (également de l'entretien, la maintenance et le dépannage).

Utilisez cet appareil à moteur avec une précaution particulière. Les manipulations de l'appareil à moteur peuvent entraîner, si elles ne sont ni réfléchies, ni conformes, des blessures graves, voire mortelles. Les risques lors de la manipulation de l'appareil à moteur sont principalement dus à la grande vitesse du disque de coupe et aux forces et couples élevés proposés par l'appareil à moteur.

Les travaux avec et sur l'appareil à moteur doivent toujours être réalisés avec prudence et avec la plus grande attention par rapport à tous les dangers possibles et à toutes les situations possibles qui peuvent apparaître. Avant le début du travail, vous devez réaliser une évaluation approfondie des risques. Ne jamais effectuez de travaux pour lesquels vous n'êtes pas formé. Si vous deviez encore être incertain après l'étude de ces instructions d'emploi, demandez conseil auprès d'un spécialiste.

L'installation d'allumage de cet appareil de moteur produit un champ électromagnétique lors de l'utilisation. Ce champ peut se répercuter dans certaines conditions sur le mode de fonctionnement des stimulateurs cardiaques. Les personnes portant un stimulateur cardiaque doivent absolument consulter leur médecin et le fabricant du stimulateur avant d'utiliser cet appareil à moteur.

Informations générales concernant les vibrations : Les symptômes suivants peuvent apparaître lors d'un conditionnement personnel spécial par des vibrations fréquentes aux doigts, aux mains ou aux poignets : endormissement des parties du corps, chatouillements, sensations de picotements, modification de la couleur de peau ou de la peau. Si vous constatez ces symptômes, consultez un médecin.

Négliger des indications de sécurité peut être mortel. Respectez les instructions ANSI et OSHA.

- Une boîte de premiers secours doit toujours être disponible sur le lieu de travail pour un accident éventuel. Remplacez immédiatement les matériaux utilisés.
- Risque d'incendie par les projections d'étincelles ! Lors de travaux à proximité d'objets inflammables et/ou de la végétation, un extincteur doit être disponible.
- Si vous travaillez la première fois avec un tel appareil à moteur faites vous montrer et expliquer son maniement par un spécialiste. Afin d'assurer une manipulation sécurisée de l'appareil à moteur, les employeurs sont responsables de la formation à la manipulation de ces appareils à moteur des utilisateurs d'appareils à moteur à entraînement à l'essence, manuels et portables.
- Des enfants et des jeunes de moins de 18 ans ne sont pas autorisés à travailler avec cet appareil à moteur.


- L'appareil à moteur doit être manipulé par principe – même en le démarrant – par une seule personne. Éloignez les personnes et les animaux de la zone de travail. Si une personne et/ou un être vivant s'approche, l'appareil à moteur doit être arrêté immédiatement. L'utilisateur est responsable des dégâts matériels et des personnes qu'il aura causé.
- Cet appareil à moteur doit être utilisé exclusivement par des personnes familiarisées avec des équipements de ce type, avec leur commande et leur notice d'utilisation. Ne prêtez jamais l'appareil à moteur à des personnes non formées. Donnez toujours ces instructions d'emploi avec l'appareil.
- Ne travaillez avec cet appareil à moteur que si vous êtes dans une bonne constitution, reposé et sain.
- Ne l'utilisez pas cet appareil à moteur sous l'influence de l'alcool, de drogues ou des médicaments qui peuvent influencer votre réactivité.
- Ne travaillez jamais avec l'appareil à moteur si vous êtes fatigué ou éreinté. La fatigue et l'éreintement peuvent remettre en cause votre vigilance. Si vous devenez fatigué ou éreinté pendant que vous travaillez avec l'appareil à moteur, faites une pause. Le travail avec l'appareil à moteur peut être fatiguant. Si vous souffrez de problèmes de santé pouvant être aggravés par les travaux difficiles, consultez votre médecin avant de travailler avec l'appareil à moteur.
- L'amiante, les matériaux contenant de l'amiante et tous les autres matériaux classés comme dangereux ne doivent être ni découpés, ni grattés avec l'appareil à moteur.
- Veillez à ce qu'aucune source cachée de danger ne se trouve dans la zone coupante de l'appareil à moteur, comme, p.ex., des fils électriques, des tuyaux d'eau ou de gaz ou des substances inflammables !
- En coupant des pieux de béton pré-tendus et armés, toutes les instructions et les normes imposées par les autorités ou le fabricant de l'élément respectif, doivent être respectées. Le sectionnement des ferrailles d'armature doit être réalisé dans l'ordre correct et en prenant en compte des règlements de sécurité pertinents.
- Ne faites pas de modifications sur les dispositifs de sécurité et éléments de commande existants.
- Risque d'accident ! L'appareil à moteur ne doit être utilisé que dans un état de fonctionnement sûr ! L'état de fonctionnement sûr de l'appareil à moteur doit être vérifié avant chaque utilisation.
- Utilisez exclusivement les accessoires et ajouts fournis par le fabricant et expressément autorisés au montage sur cet équipement électrique. Seuls les disques agréés pour cet appareil à moteur, doivent exclusivement être utilisés comme outils tranchants.
- L'emploi fiable et la sécurité de cet appareil à moteur dépendent aussi de la qualité des pièces de rechange utilisées. N'utilisez que des pièces de rechange d'origine. Seules les pièces de rechange originales proviennent de la production de l'appareil à moteur et garantissent la qualité donc la plus haute qualité de matériel possible, une précision dimensionnelle, la fonctionnalité et la sécurité. Vous trouverez les pièces de rechange et les accessoires d'origine chez votre revendeur spécialisé. Il dispose aussi des catalogues de pièces de rechange nécessaires, pour déterminer le numéro des pièces de rechange nécessaires, et est informé régulièrement des améliorations de détail et des innovations de l'offre de pièces de rechange. Veuillez considérer que lors de l'utilisation de pièces de rechange qui ne sont pas d'origine, la prestation de garantie n'est pas possible.
- Si l'appareil à moteur n'est pas utilisé, il doit être posé de manière sûre afin que personne ne soit mis en danger. Le moteur doit être arrêté. Ne laissez jamais l'appareil à moteur en fonctionnement et sans surveillance !

Quiconque ne respecte pas les instructions de sécurité, d'utilisation ou d'entretien est responsable de tous les dommages et dommages induits qui en découlent.

3.3 Tenue de travail préconisée / EPP (Équipement de protection personnel)




Afin d'éviter des blessures, le port d'une tenue de travail préconisée et d'un équipement de protection est impératif.

 Les vêtements devraient être moulants (sans parements) mais ne doivent toutefois pas être gênants.

Portez lors de tous les travaux une tenue de travail en matériel ferme avec un retardement de flammes suffisant qui ne peut pas s'enflammer par le jet d'étincelles (matériel en cuir, de coton traité retardataire de flammes et ou des matières lourdes à tresses fines à base de lin).


Contrôlez les indications sur les vêtements de travail et veiller à ce qu'ils ne comportent aucun matériel s'enflammant facilement et aucun matériel facilement fondant comme du polyester ou le nylon. Les vêtements de travail ne doivent en aucun cas être contaminés avec des substances inflammables comme de l'essence ou similaire.

Ne portez pas écharpe, pas de cravate, aucun bijou ou autres vêtements qui peuvent s'empêtrer dans le disque, à des objets de l'environnement ou dans l'appareil à moteur. Les longs cheveux doivent être attachés et sécurisés sous le casque.


 Portez un casque de protection pour tous les travaux.


Utilisez une protection acoustique personnelle.

Une protection du visage / des yeux conformément à ANSI Z 87.1 est impérativement prescrite.

 Portez des chaussures de sécurité fermes avec un embout métallique et des semelles antidérapantes.

Portez un tablier de protection.

 Portez des gants de protection avec une surface de prise non glissante.

 Si vous n'utilisez pas le raccordement d'eau de l'appareil à moteur, toutes les personnes à proximité et l'utilisateur doivent toujours porter l'équipement de protection respiratoire autorisé par NIOSH/MSHA en tant que protection contre la poussière fine, la poussière, le brouillard et la fumée du matériel à découper.

3.4 Lors du remplissage du réservoir



L'essence est facilement inflammable. Conservez une distance de sécurité de tout feu ouvert et ne renversez pas de combustible. Ne fumez pas sur l'emplacement de travail ni à l'endroit où vous remettez de l'essence !

- Le moteur doit toujours être arrêté avant tout ravitaillement.
- Risques d'incendie ! Il est interdit de remettre de l'essence tant que le moteur est encore chaud !
- Ouvrir toujours prudemment le bouchon de réservoir, afin que la surpression existante puisse se dégager lentement et que l'essence ne puisse pas gicler.
- Portez des vêtements de protection ainsi que des protections oculaires et faciales afin d'exclure tout contact de la peau et des yeux avec les produits d'huile minérale.
Lors d'un contact avec les yeux, rincez immédiatement et abondamment avec l'eau fraîche.
Si les démangeaisons persistent consultez immédiatement un médecin !
- Changez et nettoyez souvent votre tenue de travail.
- Ne pas inhaler des vapeurs de combustible.
- Ne rajouter du carburant qu'à un endroit bien aéré.
- Veillez à ce qu'aucun combustible ou de l'huile ne puisse s'infiltrer dans le sol (protection de l'environnement). Utilisez une protection adaptée.
- Si du combustible a été renversé, l'appareil à moteur doit être nettoyé immédiatement. Enlevez immédiatement les vêtements souillés et mettez des vêtements de protection propre.

TO PURCHASE THIS PRODUCT PLEASE CONTACT US



**Equipment Financing and
Extended Warranties Available**



**Discount-Equipment.com is your online resource for
commercial and industrial quality parts and equipment sales.**

561-964-4949

visit us on line @ www.discount-equipment.com

Select an option below to find your Equipment

Search by Manufacturer

Search by Product Type

Request a Quote

We sell worldwide for the brands: Genie, Terex, JLG, MultiQuip, Mikasa, Essick, Whiteman, Mayco, Toro Stone, Diamond Products, Generac Magnum, Airman, Haulotte, Barreto, Power Blanket, Nifty Lift, Atlas Copco, Chicago Pneumatic, Allmand, Miller Curber, Skyjack, Lull, Skytrak, Tsurumi, Husquvarna Target, Stow, Wacker, Sakai, Mi-T-M, Sullair, Basic, Dynapac, MBW, Weber, Bartell, Bennar Newman, Haulotte, Ditch Runner, Menegotti, Morrison, Contec, Buddy, Crown, Edco, Wyco, Bomag, Laymor, EZ Trench, Bil-Jax, F.S. Curtis, Gehl Pavers, Heli, Honda, ICS/PowerGrit, IHI, Partner, Imer, Clipper, MMD, Koshin, Rice, CH&E, General Equipment, Amida, Coleman, NAC, Gradall, Square Shooter, Kent, Stanley, Tamco, Toku, Hatz, Kohler, Robin, Wisconsin, Northrock, Oztec, Toker TK, Rol-Air, APT, Wylie, Ingersoll Rand / Doosan, Innovatech, Con X, Ammann, Mecalac, Makinex, Smith Surface Prep, Small Line, Wanco, Yanmar

- Les bouchons de réservoir doivent toujours être fermés sans outils et bien serrés à la main. Les bouchons de réservoir sont équipés d'une protection contre le sur-serrage et doivent être fermés jusqu'à ce « qu'il tourne à vide ». Les bouchons de réservoir ne doivent pas se desserrer par les vibrations de moteur.
- Danger de mort par des brûlures ! Veillez aux fuites. Ne démarrez pas et ne travaillez pas, si du combustible s'échappe.
- Les combustibles et l'huile ne doivent être stockés que dans des récipients adaptés et étiquetés correctement.

3.5 Lors du transport



- Avant de porter de l'appareil à moteur (même sur de faibles distances d'un lieu de travail à un autre), le moteur doit toujours être arrêté et il faut attendre l'arrêt complet du disque. Portez l'appareil à moteur par la poignée de maintien et orientez le disque vers l'arrière.
- Risque de brûlure ! Ne touchez pas le silencieux chaud.
- Ne portez et ne transportez jamais l'appareil à moteur tant que le disque tourne.
- Pour empêcher l'arrêt de l'écoulement du carburant et de l'huile ainsi que pour prévenir des dégâts, l'appareil à moteur doit être sécurisé lors du transport dans des véhicules pour éviter son basculement. L'étanchéité des réservoirs de carburant et d'huile doit être vérifiée. Recommandation : vider les réservoirs avant le transport.
- Avant un envoi, les réservoirs doivent être vidés.
- Démontez le disque de coupe avant l'expédition.

Recommandation : conserver l'emballage d'origine pour la protection contre les dommages liés au transport en cas d'expédition ou de transport.

3.6 Lors du montage, du nettoyage, de la maintenance et des réparations



- L'appareil à moteur ne doit pas être installé, entretenu, réparé ou déposé à proximité d'un feu ouvert.
- Avant le montage, le nettoyage, l'entretien et la réparation, le moteur doit toujours être arrêté, le bouton tournant d'arrêt doit être positionné sur « 0 », et le disque doit être arrêté. Uniquement le réglage du régime du ralenti doit être réalisé avec le moteur en marche.
- Portez des gants de protection pour tous les travaux.
- L'appareil à moteur doit être entretenu régulièrement. Ne réaliser que les travaux de réparation et d'entretien vous-mêmes qui sont décrits dans ces instructions d'emploi et dont vous vous sentez capable. Tous les autres travaux sont à effectuer exclusivement pas des ateliers spécialisés agréés par le fabricant.
- Risque de brûlure ! Ne touchez pas le pot d'échappement, tant qu'il est chaud – même pas pour des travaux d'entretien ou de contrôle de sa bonne fixation.
- Seules des pièces de rechange d'origine doivent être utilisés lors des réparations.
- Risque d'accidents et de blessures ! Aucune modification ne doit être faite sur l'appareil à moteur, car la sécurité peut en être entravée !

3.7 Avant de démarrer



Vérifiez complètement l'appareil à moteur avant chaque démarrage afin d'avoir un état de fonctionnement sûr. En plus des indications spécifiées dans les indications d'entretien et d'exploitation (→ chap. 8, page 30), les points suivants doivent être contrôlés :

- Bouton tournant d'arrêt et bouton d'arrêt à pression unique doivent pouvoir être actionnés facilement.
- Le levier de gaz doit avoir une douceur de fonctionnement et retourner tout seul dans la position de point mort. Sans presser (déverrouillage) sur le blocage du levier de gaz, le levier de gaz ne peut pas pouvoir être actionné (le levier de gaz est bloqué).
- Le disque doit être bien fixé sur l'axe.
- Risques d'incendie ! Le câble d'allumage et la cosse de la bougie doivent être fixés solidement. Lors d'une liaison desserrée, des étincelles qui pourraient éventuellement enflammer un mélange d'air et de carburant peuvent naître !
- L'appareil à moteur ne peut pas être démarré en cas d'irrégularités, des dégâts reconnaissables, des réglages pas en bonne et due forme ou une efficacité du fonctionnement restreinte. Dans ce cas, faites vérifier l'appareil à moteur par un atelier spécialisé agréé par le fabricant.

3.8 Au démarrage



- L'appareil à moteur ne doit être mis en service que dans un état complètement assemblé.
- Gardez toujours un espace d'au moins 3 m [env. 10 feet] avec l'emplacement de ravitaillement lors du démarrage.
Ne démarrez jamais dans des endroits fermés.
- Veillez à avoir une position ferme et sûre lors du démarrage. Démarrez toujours sur un sol plat en tenant fermement l'appareil à moteur.
- Procédez au démarrage selon la description du chap. 6, page 25.
- Après le démarrage, vérifiez le réglage du ralenti. Le disque doit être immobile au ralenti.

3.9 Au travail



En plus des règlements de sécurité déjà spécifiés, les règlements de sécurité suivants sont également applicables lors du travail avec l'appareil à moteur :

- Risque d'intoxication ! Dès que le moteur est en marche, l'appareil à moteur émet les gaz d'échappement toxiques qui peuvent être invisibles et inodores. Ne démarrez jamais l'appareil à moteur dans des endroits fermés. Le danger particulier existe également dans les endroits étroits, les cavités ou dans les fossés. Dans ces endroits, le travail est uniquement autorisé si l'on peut assurer un échange d'air suffisant et qu'aucun gaz toxique ne peut s'accumuler.
- Risque d'incendie accru ! Ne fumez pas sur votre lieu de travail – ni dans l'environnement immédiat de l'appareil à moteur.
- Sécurisez le lieu de travail contre l'accessibilité par des personnes non autorisées, p. ex. par des panneaux d'indication. Seules des personnes impliquées portant des vêtements de protection et des équipements de protection adaptés peuvent se trouver dans une zone de 30 mètres [env. 30 yards] autour du lieu d'intervention.

- Inspectez le lieu de travail en matière de dangers éventuels.
 - À cause des projections d'étincelles provoquées par les coupes, il ne faut jamais travailler à proximité de gaz combustibles ou liquides ainsi que d'objets facilement inflammables.
 - Aucune conduite électrique, aucun tuyau d'eau/gaz, ni aucune substance inflammable doit être posé dans la zone à découper.
 - Sécurisez d'abord les objets qui pourraient tomber ou basculer lors du travail, et/ou enlevez les de la zone de travail.
 - Préparer le lieu de travail de telle sorte qu'une zone de retrait sûre soit garantie.
- L'objet à séparer doit être exempt de corps étrangers, comme p. ex. des vis, des clous ou des pierres.
- Lors de travaux dans les zones résidentielles, les dispositions de protection contre les nuisances sonores doivent être observées.
- Travaillez prudemment, de manière réfléchie et calmement ne mettez aucune autre personne en danger.
 - Veillez à avoir de bonnes conditions d'éclairage et de vue.
 - Restez toujours à une distance d'une autre personne qui pourrait vous aider en cas d'urgence, telle qu'elle puisse entendre votre appel.
 - Aménagez à temps des pauses.
 - Soyez attentif aux sources de danger possibles et prenez les mesures de précaution correspondantes. Considérez que lors de l'utilisation d'une protection acoustique, la perception des bruits est limitée. Les signaux d'avertissement acoustiques, des appels etc. peuvent ne pas être entendus.
 - Tenez compte des dangers de trébuchement et des obstacles.
 - Ne travaillez jamais sur des bases instables.
 - Tenez toujours l'appareil à moteur fermement avec les deux mains et veillez toujours à avoir une base solide.
 - Ne faites jamais une coupe debout sur une échelle.
 - Positionnez l'appareil à moteur de telle sorte qu'aucune partie du corps ne se trouve dans le prolongement de la zone de pivotement du disque.
 - N'approchez jamais avec la main la pièce à usiner du disque de coupe en rotation.
 - Approchez le disque de coupe en rotation sur la pièce.
Ne touchez jamais le sol ni d'autres objets avec le disque de coupe en rotation.
 - N'utilisez jamais l'appareil à moteur pour soulever ou dégager des objets.
- Arrêter le moteur, si le comportement de l'appareil à moteur change de manière tangible.
- Risque de brûlure ! Ne touchez pas le silencieux tant qu'il est chaud.
Risques d'incendie ! Le silencieux dégage une forte chaleur. Ne posez pas l'appareil à moteur chaud dans l'herbe sèche ou sur des objets inflammables.
- Risques de dommages auditifs et de brûlures.
Ne travaillez jamais avec un pot d'échappement défectueux ou sans pot.

3.10 Emission de poussière



En cas de traitement de métaux ou de matières minérales, comme, p.ex., de la pierre, de la maçonnerie, du béton ou de la céramique avec l'appareil à moteur, de la poussière fine, de la poussière, du brouillard et de la fumée contenant des substances dangereuses peuvent se dégager.

Ces substances peuvent provoquer des maladies graves, voire mortelles, comme, p.ex., les maladies respiratoires, les cancers, les dommages du système de reproduction et les gênes (malformations de la descendance).

Certains états fédéraux, comme, p.ex., la Californie, ont établi des listes contenant les substances connues pour provoquer des cancers, des dommages sur le système de reproduction ou d'autres dommages.

- Si vous ne pouvez pas évaluer le risque encouru lors de l'utilisation et du montage de l'appareil à moteur ainsi que lié au matériau à usiner, informez-vous sur les substances nuisibles dans les fiches techniques spécifiques au matériau, demandez à votre employeur, fabricant et fournisseur de matériaux, administrations d'enregistrement, comme, p.ex., OSHA et NIOSH et respectez impérativement toutes les consignes d'avertissement et de sécurité ainsi que les instructions pour une manipulation sûre et efficace du matériau à découper.
- Evitez, tant que faire se peut, la production de poussière fine, de poussière, de brouillard et de fumée en ayant un comportement au travail adapté ainsi qu'avec des techniques de travail appropriées et respectez les recommandations du fabricant/fournisseur, de l'OSHA/NIOSH et des organisations professionnelles et spécialisées. En cas de découpe à l'eau, utilisez de l'eau pour lier la poussière.
- Si le danger lié à l'inhalation de poussière fine, de poussière, de brouillard et de fumée ne peut être écarté par des mesures techniques, comme, p.ex., l'utilisation d'un raccordement d'eau de l'appareil à moteur ou d'une aspiration adaptée, toutes les personnes à proximité et l'utilisateur de l'appareil à moteur doivent porter un équipement de protection respiratoire autorisé par NIOSH/MSHA en tant que protection contre la poussière fine, la poussière, le brouillard et la fumée.

Si vous devez traiter une maçonnerie contenant du quartz, du béton contenant du quartz ou tout autre matériau contenant du quartz avec l'appareil à moteur, la poussière fine, la poussière, le brouillard et la fumée peuvent contenir de la silice cristalline. La silice est l'un des principaux composants du sable, du grès, du granit et de nombreux autres matériaux minéraux et pierres. L'inhalation de silice dans les poumons peut provoquer des maladies respiratoires mortelles, y compris la silicose. La Californie et d'autres états fédéraux ont également déclaré la silice cristalline respirable en tant que substance connue pour provoquer des cancers.

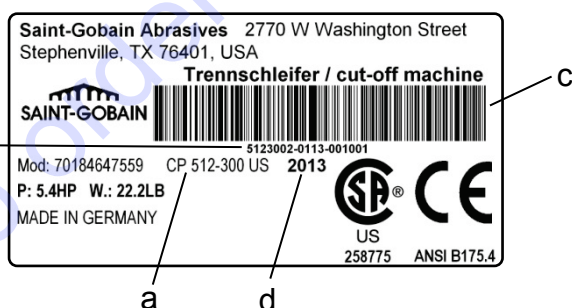
- Si vous devez traiter ces matériaux, prenez toujours les mesures de protection respiratoire précitées.

4 Description de l'appareil à moteur

4.1 Contenu de la livraison

- Appareil de base
- Disque
- Plateau d'adaptation à l'axe pour un disque d'un diamètre intérieur de 1".
- Outils : Clé mixte (clé de bougie avec tournevis), goupille de blocage et petit tournevis supplémentaire
- Ces instructions d'emploi

4.2 Plaque signalétique



- a : désignation du type
- b : numéro de série
- c : code barre
- d : année de construction

4.3 Données techniques

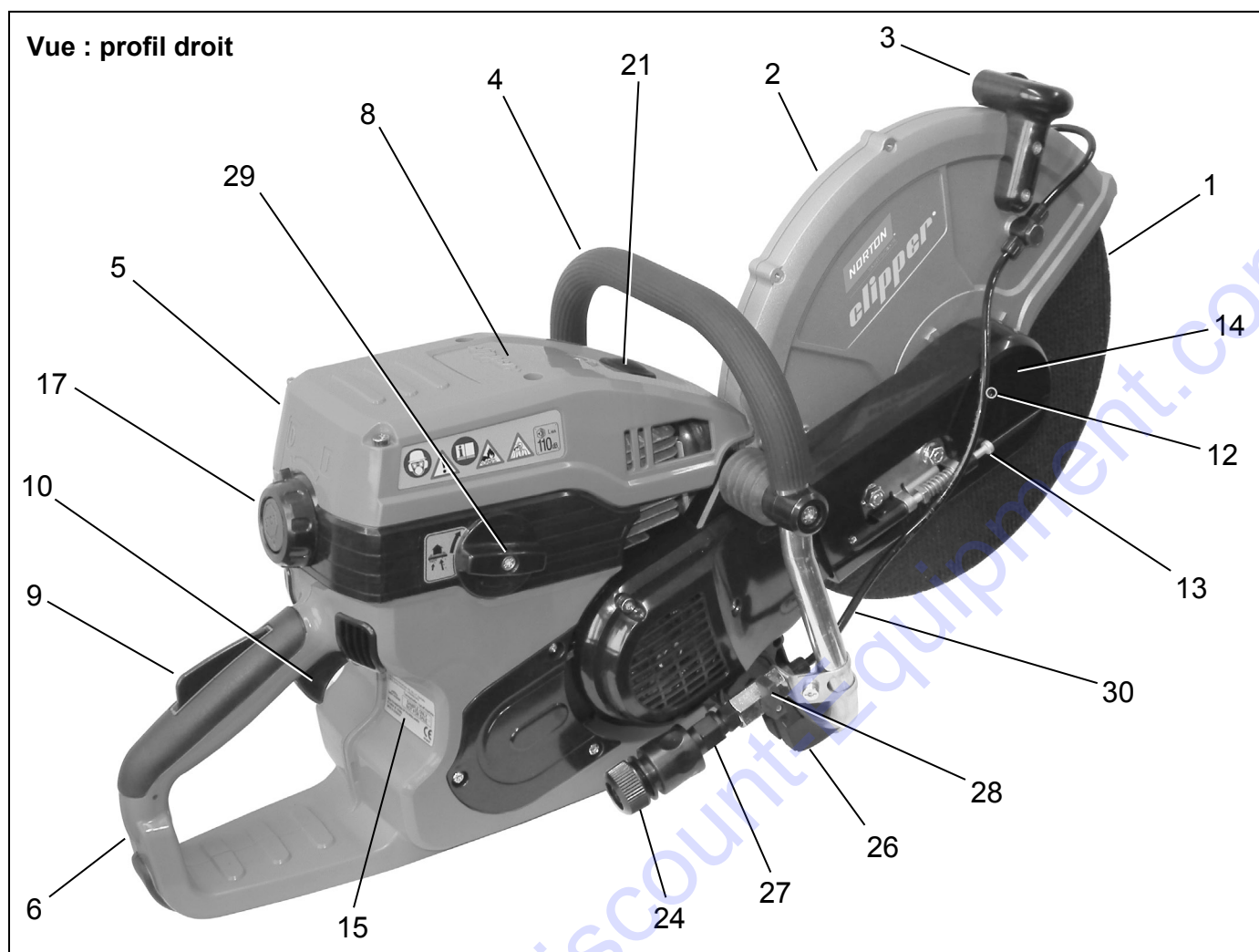
Modèle	CP512-300	CP512-300i	CP514-350	CP514-350i
Moteur	Moteur à deux temps monocylindre, rinçage à quatre canaux			
Cylindrée	81 cm ³ [4,94 cu.in]			
Alésage Ø / Course	52 mm / 38 mm [2,0" / 1,5"]			
Puissance maximale au régime de	4,0 kW / 9.300 ¹ / _{min} [5,36 HP / 9.300 RPM]			
Couple maximal au régime de	4,8 Nm / 7.000 ¹ / _{min} [3,54 ft.lbf / 7.000 RPM]			
Régime maximal autorisé	(9.500 ±200) ¹ / _{min} [(9.500 ±200) RPM] (sans charge avec disque)			
Régime du ralenti	(2.600 ±200) ¹ / _{min} [(2.600 ±200) RPM]			
Régime d'embrayage	(4.000 ±200) ¹ / _{min} [(4.000 ±200) RPM]			
Contenu du réservoir de carburant	0,9 l [30 oz]			
Contenu du réservoir d'huile	---	0,32 l [10,8 oz]	---	0,32 l [10,8 oz]
Rapport du mélange de carburant essence : huile	50:1	---	50:1	---
Lubrification séparée commandée électroniquement	---	✓	---	✓
Consommation de carburant à puissance maximale (ISO 7293)	1,75 kg/h [3,86 lbs/h]			
Consommation spécifique de carburant à puissance maximale (ISO 7293)	460 g/kWh [0,76 lbs/HP·h]			
Carburateur avec amorce	Commandé électroniquement et indépendamment de la position			
Filtre à air	Papier			
Allumage	Allumage digital électronique avec courbe caractéristique			
Disque : Diamètre Diamètre du trou central Couple de desserrage de la vis de fixation	12" [305 mm] 20 mm ou 1" (30 ±2) Nm [22,1 ±1,48 ft.lbf]		14" [356 mm] 20 mm ou 1" (30 ±2) Nm [22,1 ±1,48 ft.lbf]	
Diamètres extérieur de la bride	100 mm [3,9"]		100 mm [3,9"]	
Diamètre de l'axe	20 mm [0,787"]		20 mm [0,787"]	
Régime maximal de l'axe	4.550 ¹ / _{min} [4.550 RPM]		4.550 ¹ / _{min} [4.550 RPM]	
Profondeur de coupe, max.	100 mm [3,9"]		125 mm [4,9"]	
Dimensions : Hauteur / Largeur / Longueur	430 mm / 267 mm / 750 mm [16,9" / 10,5" / 29,5"]		430 mm / 267 mm / 750 mm [16,9" / 10,5" / 30,5"]	
Poids à vide, sans disque	10,1 [22,3 lbs]	10,4 [22,9 lbs]	10,2 [22,5 lbs]	10,5 [23,1 lbs]
Niveau de pression acoustique ^{1,2} L _{Peq} (EN ISO 19432 Annexe B)	98 dB(A)			
Niveau sonore ^{1,2} L _{Peq} (EN ISO 19432 Annexe B)	108 dB(A)			
Accélération de vibration ^{1,3} a _{hv,eq} (EN ISO 19432 Annexe C) poignée arrière / poignée de maintien	4,5 m/s ² / 6,0 m/s ² [177 "/s ² / 236 "/s ²]			

¹ Lors de la détermination des valeurs susmentionnées de l'accélération de vibration et de son, les différents états de fonctionnement ont été pondérés conformément à la norme respectivement valable.

² Tolérance de mesure K selon la directive 206/42/UE : 2,5 dB(A)

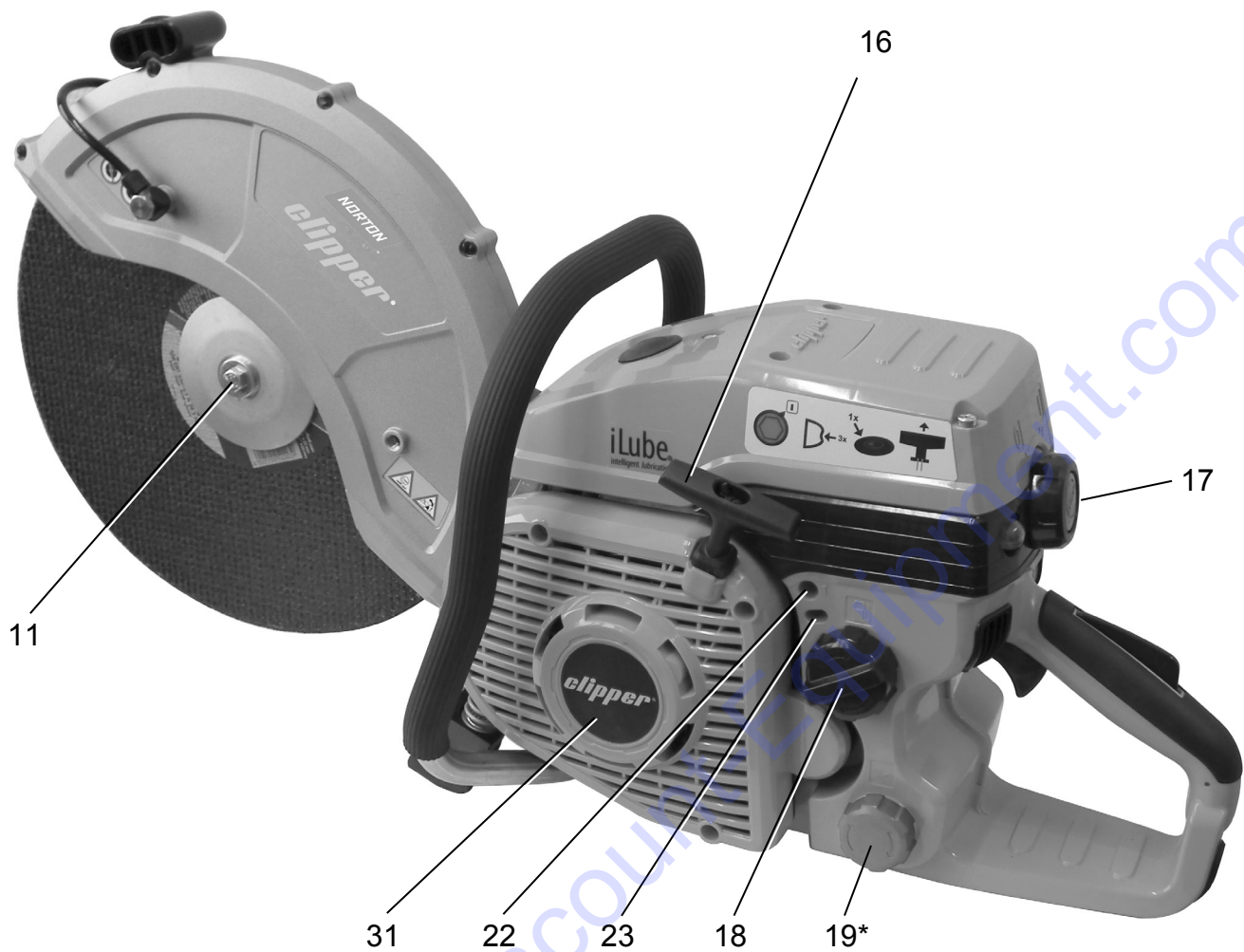
³ Tolérance de mesure K selon la directive 206/42/UE : 2 m/s² [78,7 "/s²]

4.4 Vues de l'appareil ainsi que des éléments de commande et de fonctionnalités importants

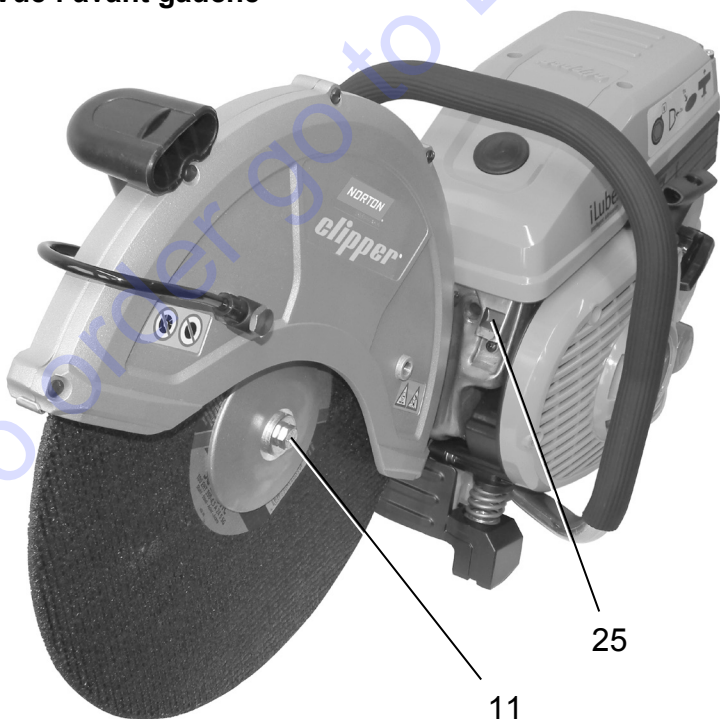


1. Disque	16. Poignée de démarrage
2. Capot de protection	17. Bouton tournant d'arrêt / bouton d'arrêt à pression unique
3. Poignée de réglage du capot de protection	18. Bouchon du réservoir de carburant
4. Étrier de maintien	19*. Bouchon du réservoir d'huile, vert (uniquement sur les modèles CP512-300i et CP514-350i)
5. Capot	20. Amorce
6. Poignée de maintien arrière	21. Valve de décompression
7. Prise d'air double flux	22. Vis de butée « T » du ralenti
8. Cache de la bougie	23. Vis de réglage du carburateur « L » et « H » (réservée aux ateliers spécialisés)
9. Blocage du levier de gaz	24. Accouplement du branchement d'eau (coupe humide)
10. Levier de gaz	25. Silencieux (échappement)
11. Vis de fixation du disque	26. Pied
12. Ouverture pour le blocage du disque	27. Accouplement du filtre à tamis de l'alimentation en eau
13. Vis de serrage de la courroie cannelée	28. Levier de la vanne d'alimentation d'eau
14. Habillage de la courroie cannelée	29. Bouton rotatif d'agitation
15. Plaque signalétique	30. Alimentation d'eau (coupe humide)
* Dépend du modèle	31. Logements du démarreur et du ventilateur avec des ouvertures de refroidissement

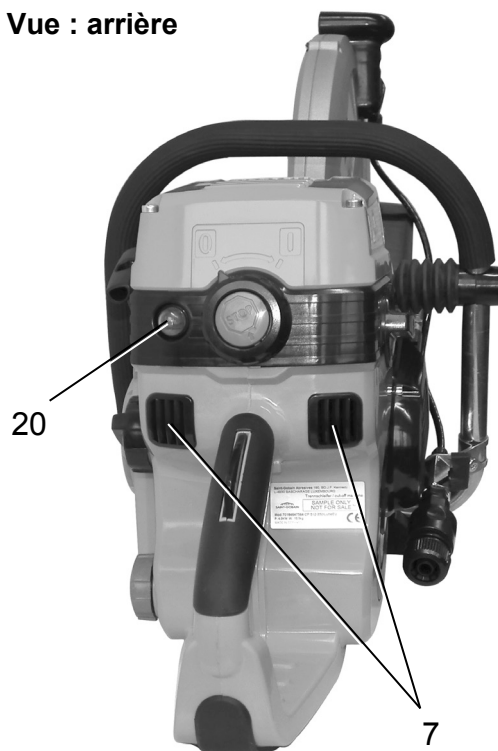
Vue : profil gauche



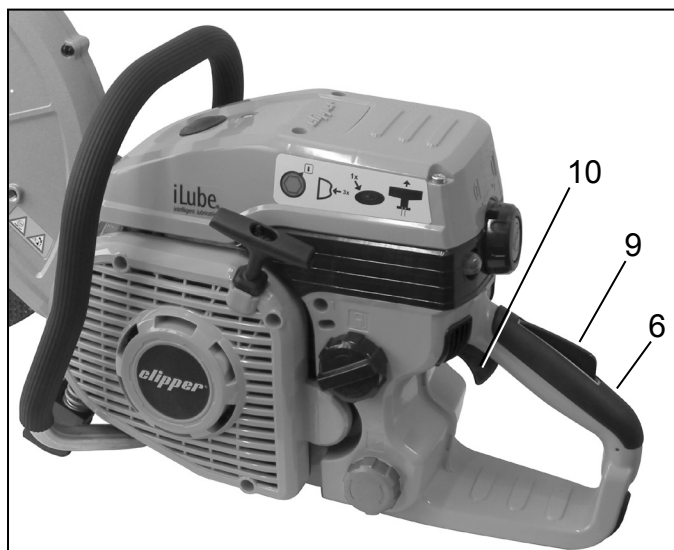
Vue : avant gauche



Vue : arrière



4.5 Blocage du levier de gaz et levier de gaz



Déblocage du levier de gaz (10)

- Poignée arrière (6) à saisir avec la main droite. Actionnez en même temps, le blocage du levier de gaz (9) avec la paume.

→ Le levier de gaz (10) est libéré.

4.6 Éléments de démarrage

Poignée de démarrage (16) et câble du démarreur : → Chap 6.3, page 26

Amorce (20)



Dans l'état de livraison, après un temps de repos d'une certaine durée et si le réservoir a été vidé complètement il n'y a pas encore de carburant dans le carburateur après avoir ravitaillé.

Procédure de démarrage : → Chap. 6.1, page 25

Pour faciliter le processus de démarrage, il est possible de pomper du carburant dans le carburateur. Pour cela, appuyez aussi souvent sur l'amorce (20) jusqu'à ce que le carburant soit visible dans l'amorce. Le carburant excédentaire va être refoulé automatiquement dans le réservoir l'amorce depuis l'amorce.

Valve de décompression (21)



En actionnant la valve de décompression (21), une compression plus faible est obtenue dans la chambre de combustion du moteur. Ce qui signifie que le moteur oppose une force de résistance plus faible lors du démarrage ce qui facilite sensiblement le démarrage.

Procédure de démarrage : → Chap. 6.1, page 25

La valve de décompression est refermée automatiquement dès que le moteur est démarré.

Si lors du processus de démarrage la poignée de démarrage (16) doit être activée une seconde fois, parce que le moteur n'a pas encore démarré (p. ex. lors d'un démarrage à froid), la valve de décompression ne doit pas être actionnée une seconde fois.

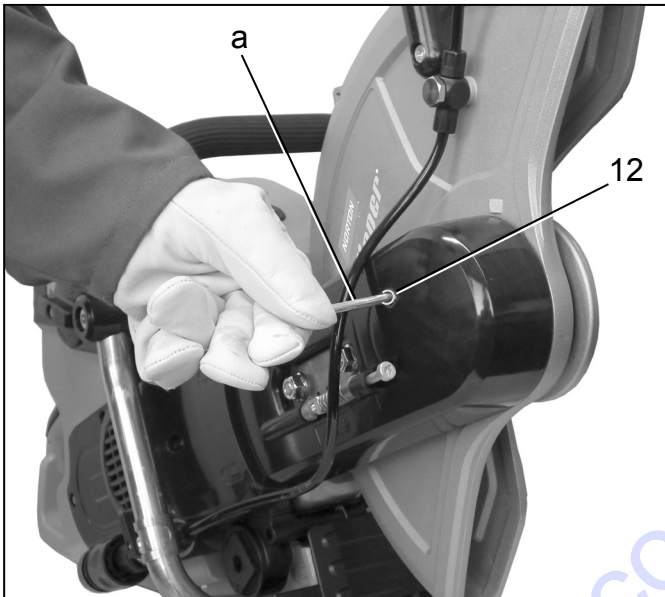
5 Préparation des travaux



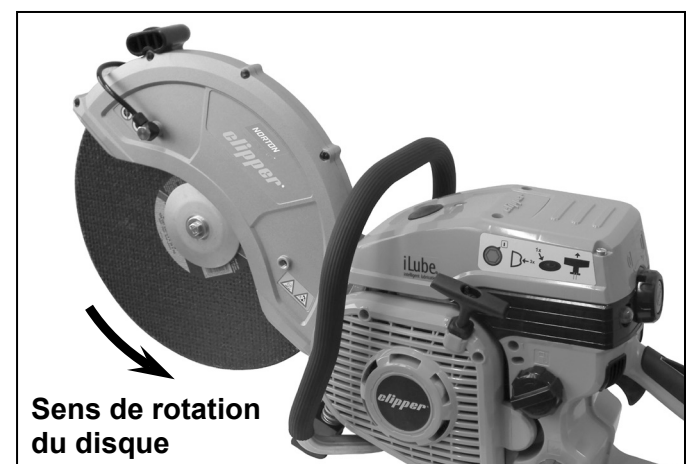
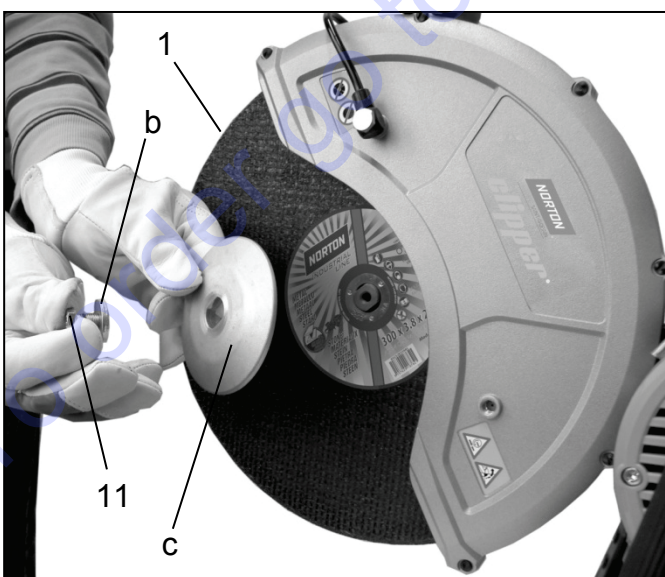
5.1 Montage du disque



Les disques utilisés doivent être conforme aux spécificités mentionnées au chap. 7.1, page 27 ! L'axe de l'appareil à moteur est conçu pour des disques avec un diamètre intérieur de 20 mm. Les disques d'un diamètre intérieur de 1" ne doivent être utilisés qu'avec un plateau d'adaptation à l'axe. Montage du disque avec un diamètre intérieur de 1" : → Chap. 5.2, page 18) Lors de l'utilisation de disques d'un diamètre intérieur de 20 mm, il n'est pas nécessaire d'utiliser un plateau d'adaptation.



- L'appareil à moteur doit reposer de manière sûre sur le sol pour monter le disque. Maintenez fermement l'appareil à moteur de la main gauche et appuyez-le fortement vers le sol. → Chap. 5.4, page 19)
- Insérez complètement la goupille de blocage (a) dans l'ouverture de blocage (12) du disque afin de bloquer l'axe. Dévissez la vis de fixation (11) du disque. Enlevez le disque (b) et la rondelle de butée (c).




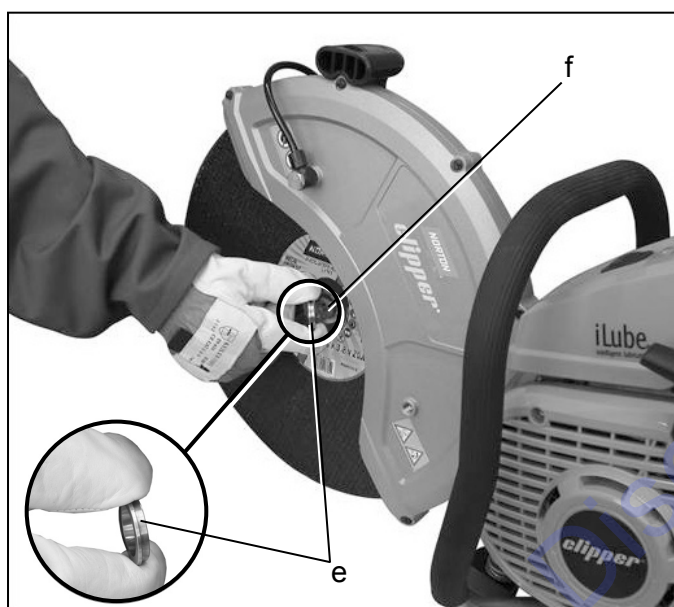
Le sens de rotation du disque est toujours celui indiqué ci-dessus par la flèche – indépendamment du fait de savoir si le dispositif de séparation est installé dans la position extérieure ou de moyenne.

- Placez le disque (1) sur l'axe. Avec des disques avec un sens de rotation allégué (flèche sur le disque), l'orientation correcte du disque doit être respectée lors du montage, (voir le sens de rotation du disque ci-dessus).

- Placer la rondelle de butée (c) de telle sorte que le côté voûté soit dirigé vers l'extérieur, c.-à-d. non appliquée sur le disque.
- Placez le disque (b) et vissez la vis de fixation du disque (11).
- Insérez complètement la goupille de blocage (a) dans l'ouverture (12) et serrez solidement (30 Nm [22,1 ft·lbf]) la vis de fixation du disque (11).
Pendant ce temps, maintenez l'appareil à moteur avec une main par la poignée de maintien de manière sûre et appuyez fortement vers le sol.
- Enlevez la goupille de blocage (a).

5.2 Montage de disques d'un diamètre intérieur de 1"

 L'axe de l'appareil à moteur est conçu pour des disques avec un diamètre intérieur de 20 mm. Le montage en bonne et due forme des disques d'un diamètre intérieur de 1" se fait avec un plateau d'adaptation contenu dans le contenu de la livraison de l'appareil à moteur. Le plateau d'adaptation à l'axe assure une assise correcte du disque d'un diamètre intérieur de 1" sur l'axe.

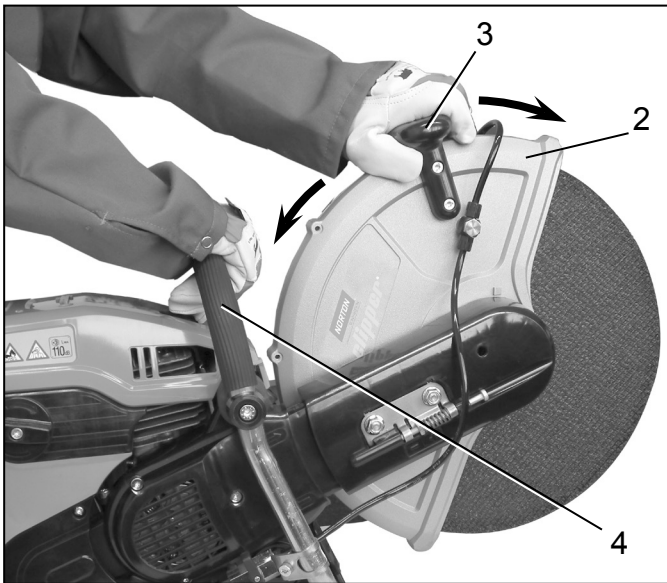


- Le montage des disques d'un diamètre intérieur de 1" se fait par analogie au chap. 5.1, à partir de la page 17.
- Après avoir placé le disque sur l'axe, il est encore nécessaire de placer le plateau d'adaptation (e) sur l'axe (f).
- Placez le plateau d'adaptation à l'axe (e) sur l'axe de façon à ce que le disque s'insère entre l'axe et le diamètre intérieur.
La surface d'appui du plateau d'adaptation à l'axe doit être dirigée vers l'extérieur une fois inséré, c.-à-d. non appliquée sur le disque.
L'orientation correcte du plateau d'adaptation à l'axe est impérativement nécessaire, afin que la surface intérieure plate de la rondelle de butée s'applique directement contre le disque. Ce n'est qu'ainsi qu'une fixation sûre du disque est garantie.
- Le positionnement la rondelle de butée et tous les étapes suivantes doivent à nouveau être mis en œuvre de façon analogue du chap. 5.1.

5.3 Démontage du disque

- L'appareil à moteur doit reposer de manière sûre sur le sol pour démonter le disque. Maintenez fermement l'appareil à moteur de la main gauche et appuyez-le fortement vers le sol.
→ Chap. 5.4, page 19
- Insérez complètement la goupille de blocage (a) dans l'ouverture de blocage (12) du disque afin de bloquer l'axe. Dévissez la vis de fixation (11) du disque. Enlevez le disque (b) et la rondelle de butée (c), (voir aussi le chap 5.1).
- Enlevez le disque de l'axe. Avec des disques d'un diamètre intérieur de 1", le plateau d'adaptation à l'axe doit également être enlevé de l'axe.
- Replacer la rondelle de butée (c) sur l'axe de telle sorte que le côté voûté soit dirigé vers l'extérieur.
- Placez le disque (b) et revissez la vis de fixation du disque (11). → Chap. 5.1
- Insérez complètement la goupille de blocage (a) dans l'ouverture (12) et resserrez solidement (30 Nm [22,1 ft·lbf]) la vis de fixation du disque (11). Pendant ce temps, maintenez l'appareil à moteur avec une main par la poignée de maintien de manière sûre et appuyez fortement vers le sol.
- Enlevez la goupille de blocage (a).

5.4 Ajustage du capot de protection



Le capot de protection (2) peut être pivoté en avant et/ou en l'arrière dans une certaine mesure.

L'appareil à moteur doit reposer de manière sûre sur le sol pour ajuster le capot. Maintenez fermement l'appareil à moteur par la poignée de maintien (4) de la main gauche et appuyez-le fortement vers le sol. Pour repositionner le capot de protection (3), maintenez la poignée de la main droite et basculez le capot dans la position voulue.

Afin d'éloigner au maximum les jets d'étincelles et les particules coupantes détachées lors de la coupe de l'utilisateur, le capot de protection doit toujours être pivoté le plus en avant possible avant de couper que la situation de travail le permet.



Si le dispositif de coupe a été installé en position extérieure, il faut veiller en ajustant le capot de protection à ce que la conduite d'alimentation d'eau ne soit pas coincée et que le contact entre le disque et la conduite d'alimentation d'eau soit exclu lors du travail.

5.5 Ravitaillement en carburant



Risque pour la santé !

Le contact direct de la peau avec de l'essence et l'inhalation des vapeurs d'essence doivent être exclus.

Le moteur à deux temps à grande puissance de cet appareil à moteur nécessite un mélange d'essence et d'huile dans la chambre de combustible (essence et huile = mélange de combustible).

Modèles CP512-300 et CP514-350



Les modèles CP512-300 et CP514-350 sont équipés d'un réservoir d'essence (18).



Réservoir d'essence pour un mélange de combustible conformément au tableau de mélange mentionné ci-dessous.



Des combustibles inadéquats ou des écarts de proportions de mélange peuvent entraîner des avaries au moteur !

Le mélange de combustible doit être réalisé avec les composants suivants :

- Essence sans plomb "midgrade" ou du super sans plomb (taux d'octane de pompe $PON \geq 89^{(R+M)/2}$)
- L'huile 2 temps de marque conforme aux normes ISO-L-EGD ou JASO FD.

Ne stockez pas le mélange de carburant plus que 3 semaines.

Tableau de proportions pour le mélange de carburant

Proportion de mélange essence:huile = 50:1 (2 %)	
Essence	Huile moteur 2 temps de marque
1 l	20 ml
2 l	40 ml
5 l	100 ml
10 l	200 ml

Proportion de mélange essence:huile = 50:1 (2 %)	
Essence	Huile moteur 2 temps de marque
1 gal	2.6 US fl. oz
2.5 gal	6.4 US fl. oz
5 gal	12.8 US fl. oz

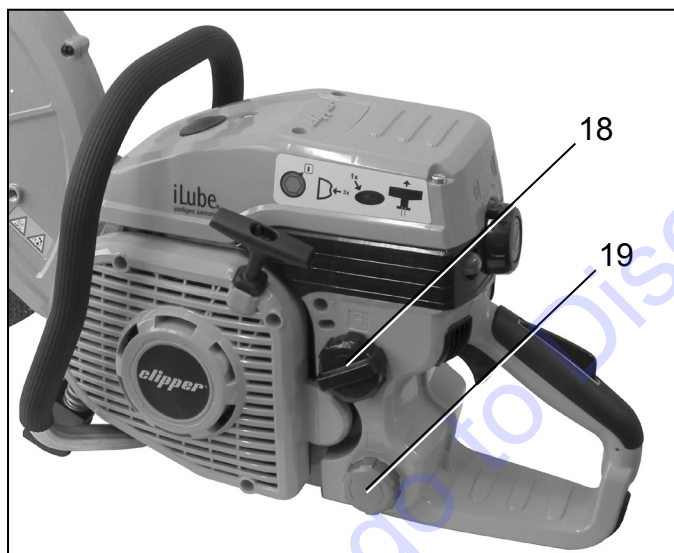
Au lieu de mélanger soi-même le carburant, il est également possible d'utiliser des mélanges spéciaux pour moteurs 2 temps prêt à l'emploi proposés par le commerce spécialisé.

Recommandation : utilisez le mélange spécifique carburant de la marque « Aspen 2-takt ». Respectez les indications du fabricant de carburant.

Modèles CP512-300i et CP514-350i avec iLube®

iLube®
intelligent lubrication

Les modèles CP512-300i et CP514-350i sont équipés avec respectivement un réservoir d'essence et un réservoir pétrolier à remplir conformément à aux préconisations mentionnées ci-dessous. Le mélange de combustible est formé automatiquement avec ces modèles lors de l'utilisation (graissage séparé, iLube®, Intelligent Lubrication).



Réservoir de carburant (18) pour essence sans plomb "midgrade" ou du super sans plomb (taux d'octane de pompe $PON \geq 89^{(R+M)/2}$).



Ne mettez pas de mélange de combustible dans le réservoir d'essence (18) !



Réservoir d'huile (19, bouchon vert) pour de l'huile 2 temps de marque conforme aux normes ISO-L-EGD ou JASO FD.



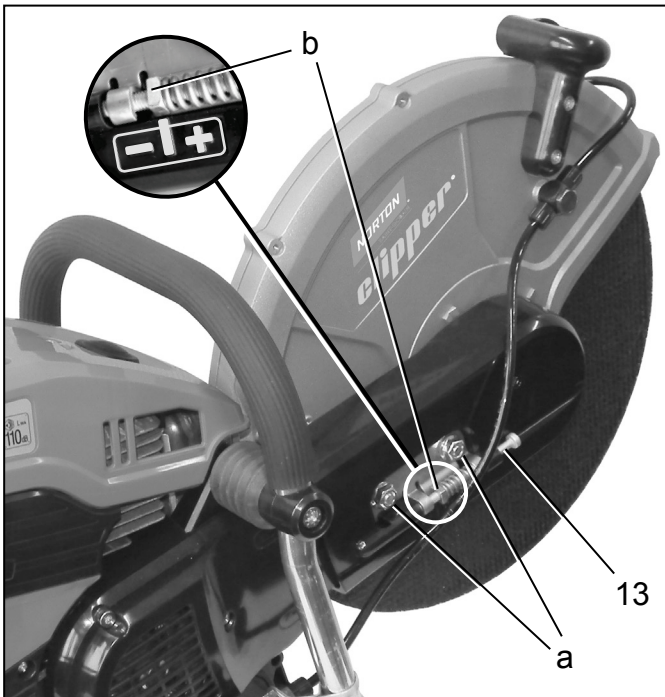
S'il n'y a pas assez d'huile dans le réservoir d'huile, l'appareil à moteur coupe déjà à bas régimes et automatiquement et n'atteint plus les régimes nécessaires pour travailler ce qui se remarque également par un bruit modifié par rapport à la marche normale. Au plus tard dans ce cas, il faut rajouter de l'huile.

Ravitaillement en combustibles (mélange de carburant et/ou essence et huile)

Respectez les dispositions de sécurité lors du ravitaillement. Ne ravitaillez que si le moteur est coupé.

- Nettoyez bien les alentours de la zone de ravitaillement.
- Poser l'appareil à moteur de telle manière que le bouchon du réservoir soit dirigé vers le haut.
- Dévissez le bouchon du réservoir.
- Pour éviter des impuretés dans le réservoir, utilisez si possible un entonnoir à tamis.
- Ne remplissez le réservoir au maximum jusqu'au bord inférieur du manchon.
- Revissez solidement le bouchon du réservoir jusqu'à ce qu'il tourne à vide.
- Après avoir ravitaillé l'appareil à moteur nettoyez les éclaboussures éventuelles de combustibles.
- Ne démarrez ou n'exploitez jamais l'appareil à moteur à l'emplacement de ravitaillement.

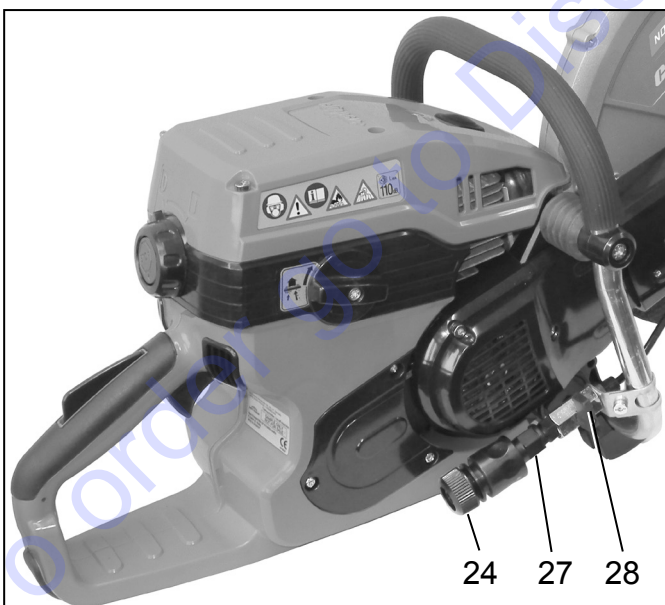
5.6 Réglage de la tension de la courroie cannelée



En principe, la tension de la courroie cannelée doit être ajustée correctement au démarrage de l'appareil à moteur. La tension doit absolument être vérifiée et ajustée lors de la première mise en service, après une remise en service après une période de non utilisation prolongée, après l'échange de la courroie cannelée ou après d'autres travaux de montage et la tension de la courroie cannelée doit éventuellement être corrigée.

- Desserrez les vis de fixation (a).
- Tournez la vis de serrage de la courroie cannelée (13) vers la droite (dans le sens des aiguilles d'une montre) :
→ Augmenter la tension de la courroie. L'écrou 4 pans (b) se déplace alors vers la marque « + ».
- Tournez la vis de serrage de la courroie cannelée (13) vers la gauche (dans le sens contraire des aiguilles d'une montre) :
→ Réduire la tension de la courroie. L'écrou 4 pans (b) se déplace alors vers la marque « - ».
- La tension est correcte, si l'écrou 4 pans (b) est placé sur le marquage axial, c.-à-d. entre « + » et « - ».
- Resserrez les deux vis de fixation (a).

5.7 Branchement d'eau pour la coupe humide



La coupe des matières minérales, génère vraiment beaucoup de poussière fine.

Recommandation : utilisez pour la coupe de matériaux minéraux le raccordement d'eau de l'appareil à moteur et des disques de coupe appropriés pour la coupe humide.

Lors de la coupe avec une alimentation d'eau, la poussière est liée, le contrôle visuel est amélioré et la durée de vie des disques est prolongée par l'effet refroidissant de l'eau.

Avant une coupe humide :

- Branchez une canalisation d'eau appropriée ou le réservoir sous pression approprié au raccordement de couplage (24).
- Actionnez le levier de la vanne (28) pour ouvrir l'arrivée d'eau ou la fermer.

Après une coupe humide :

- Fermez l'alimentation d'eau, c.-à-d. positionnez le levier de la vanne perpendiculairement au branchement d'eau.
- Laissez encore tourner le disque environ 30 secondes à un régime élevé afin d'éliminer complètement l'eau.



Alimentation d'eau ouverte
(levier de vanne parallèle)




Alimentation d'eau fermée
(levier de vanne en travers)

Nettoyage de la cartouche filtrante du filtre à tamis dans le raccord (27) : → Chap. 8.2, page 31

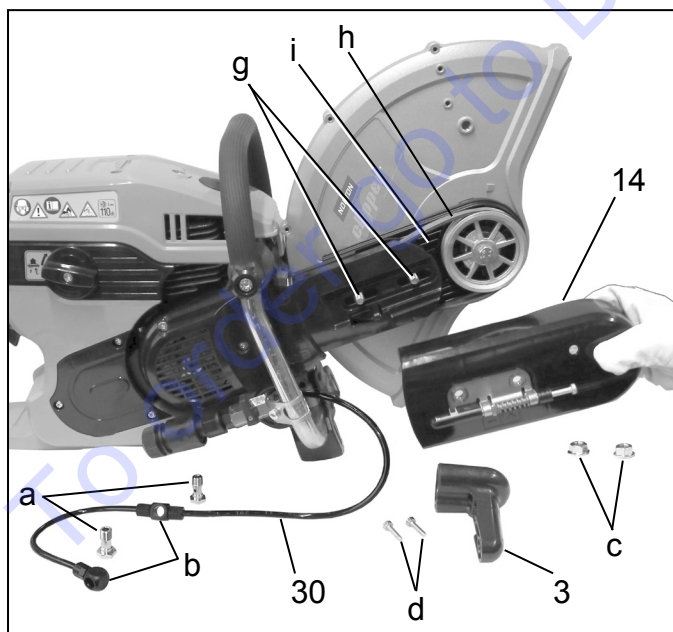
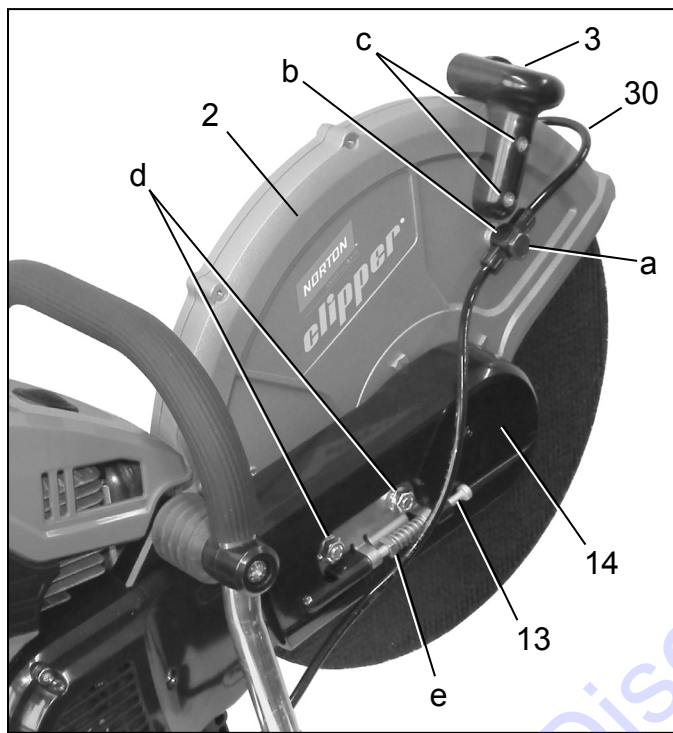
5.8 Modifier le dispositif de coupe de la position centrale en position extérieure

L'appareil à moteur est livré de manière standard pour une utilisation du disque en position centrale. En principe, l'équilibre de l'appareil à moteur est meilleur position centrale, puisque la répartition des poids est symétrique à l'axe central, et la coupe plus facile à diriger.

Dans le cas où des obstacles se trouvent très près de la ligne de coupe, il peut être nécessaire d'installer le dispositif de coupe en position extérieure, afin que le disque soit positionné plus à l'extérieur.

 **Considérez la répartition des poids asymétrique lors de l'exploitation avec le disque positionné en position extérieure ! Travaillez si possible toujours en position centrale.**

Modification de la position centrale en position extérieure

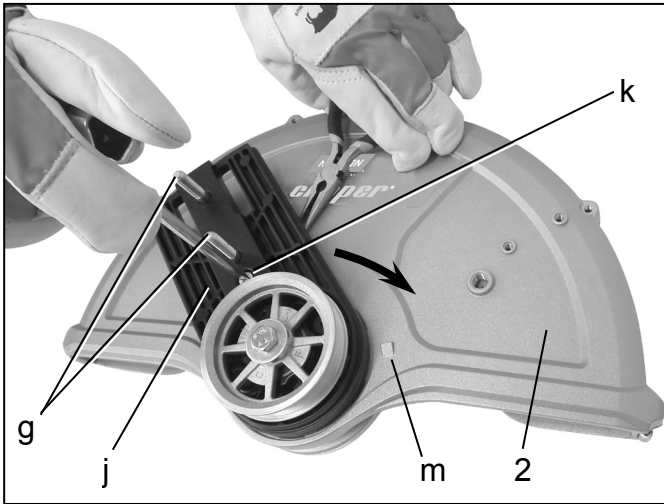


Préparatifs

- Posez l'appareil à moteur sur un sol plat.
- Démontez le disque → Chap. 5.3, page 18
- Démontez l'alimentation d'eau (30) : Dévissez les vis de fixation (a) de la conduite d'alimentation d'eau sur le côté droit et sur le côté gauche du capot de protection (2). Enlevez les pièces d'adaptation (b) y compris la conduite du capot de protection. Déposer les pièces d'adaptateur y compris une conduite de telle sorte que la conduite ne dérange pas dans les étapes de travail suivantes et ne soit pas coincée.
- Démontez la poignée de réglage du capot de protection (3) : Enlevez les deux vis de fixation (c) de la poignée de réglage du capot de protection et enlevez la poignée.
- Desserrez les deux écrous de fixation (d) de l'habillage de la courroie cannelée (14).
- Tournez la vis de serrage de la courroie cannelée (13) vers la gauche, c.-à-d. dans le sens contraire des aiguilles d'une montre pour réduire la tension de la courroie cannelée. Tournez jusqu'à ce que l'écrou 4 pans (e) soit déplacée aussi loin que possible vers le marquage « - ». Lors d'un montage du dispositif de coupe en position centrale (cf. illustration), l'écrou 4 pans se trouve alors tout à gauche, lors d'un montage en la position extérieure tout à droite.
- Dévissez complètement les deux vis de fixation (d).
- Enlevez l'habillage de la courroie cannelée (14).

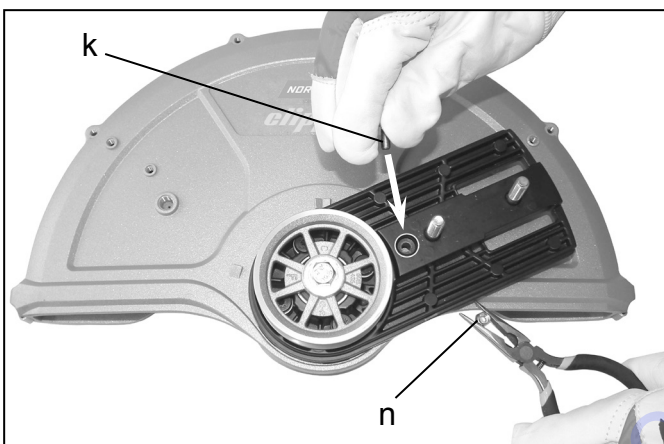
Démontez le capot de protection (2)

- Glissez le capot de protection prudemment vers l'unité moteur. Les vis (g) de la bride d'assemblage (j) sont déplacées par là dans les trous oblongs.
- Si le capot de protection a été décalé aussi loin vers l'unité du moteur que le support de la courroie cannelée (i) peut être tiré par la courroie cannelée (h), enlevez le capot de protection. Veillez à ce que la courroie cannelée ne soit pas endommagée.



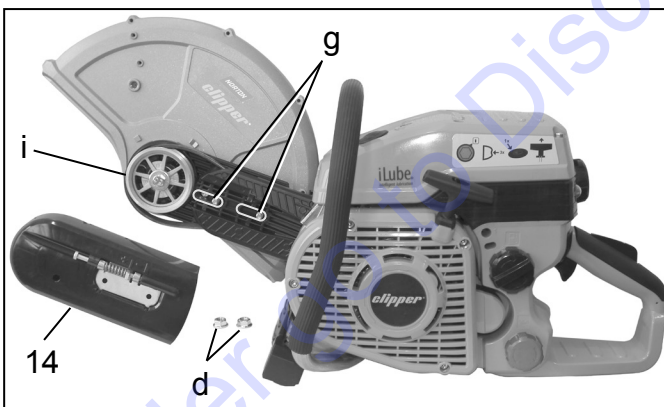
Desserrez et tournez la bride d'assemblage (j)

- Posez le capot de protection avec la bride d'assemblage (j) vers le haut sur une surface plane, (les vis (g) de la bride d'assemblage dirigées vers le haut).
- Dévissez la vis (k).
Pour cela retenez avec une pince plate l'écrou qui se trouve au-dessous de la bride d'assemblage.
- Tournez la bride d'assemblage par rapport au capot de protection de telle sorte que le perçage d'admission de la vis (k) se situe entre la butée centrale et la butée de droite (m) du capot de protection. La rotation de la bride d'assemblage se fait difficilement. Maintenez de façon sûre le capot de protection lors de la rotation.



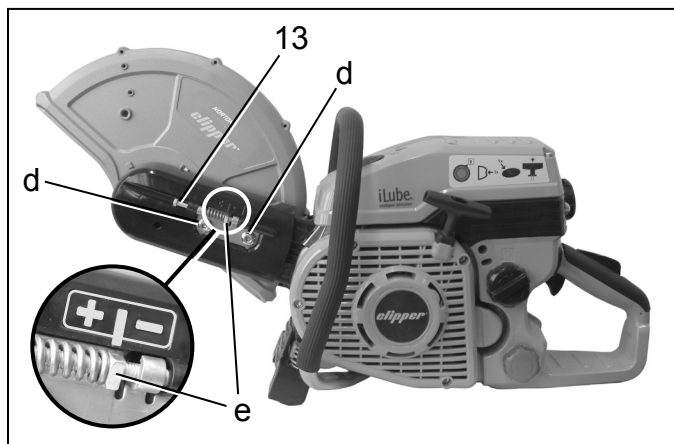
Limiter l'angle de rotation du capot de protection avec la vis (k)

- Remettez la vis (k).
Pour cela, guidez avec une pince plate l'écrou (n) sous la bride d'assemblage et maintenez-le lors en serrant la vis.
La rotation du capot de protection est limitée par les butées sur le capot de protection, entre lesquelles l'écrou peut être déplacé.



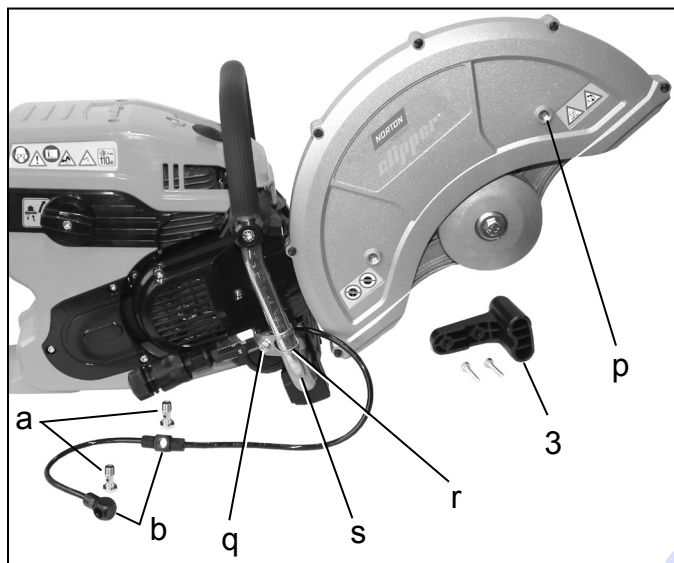
Montage du dispositif de coupe en position extérieure

- Positionnez le dispositif de coupe en position extérieure sur le support du dispositif de coupe. Pour cela positionnez les deux vis (g) de la bride d'assemblage dans les trous oblongs et mettez le support de la courroie cannelée (i) dans la courroie cannelée.
- Vérifiez que la courroie cannelée se déplace librement.
Corrigez éventuellement la position de la courroie cannelée.
- Remettez l'habillage de la courroie cannelée (14).



Réglage de la tension de la courroie cannelée

- Vissez les deux écrous de fixation (d) de l'habillage de la courroie cannelée sur les vis de la bride d'assemblage. Ne serrer les écrous qu'à la main de telle manière que la tension de la courroie cannelée puisse encore être ajustée.
- Tournez la vis de serrage de la courroie cannelée (13) vers la droite, c.-à-d. dans le sens des aiguilles d'une montre pour augmenter la tension de la courroie cannelée. La tension est correcte, si l'écrou 4 pans (e) est placé sur le marquage axial, c.-à-d. entre « + » et « - ».
- Serrez les deux vis de fixation (d).



Déplacer la fixation de la conduite d'alimentation d'eau vers le haut



La conduite d'alimentation d'eau doit se positionner de telle sorte qu'avec toutes les positions du capot de protection, un contact de la conduite d'alimentation d'eau et du disque soit exclu lors de l'utilisation.

- Positionnez la conduite d'alimentation d'eau de telle sorte qu'elle soit placée sur l'extérieur du capot de protection et non entre le capot de protection et la bride d'assemblage.
- Placez les vis de fixation (a) de la conduite d'alimentation d'eau dans les pièces d'adaptation (b).

- Positionnez les pièces d'adaptation des côtés droit et gauche du capot de protection sur les trous taraudés correspondants (p) placer et vissez les vis de fixation de la conduite d'alimentation d'eau.
- Desserrez la vis (q) du collier (r) jusqu'à ce que le collier puisse être glissé vers le haut sur le montant nu de la poignée de maintien (s).
- Décalez le collier vers le haut jusqu'à ce que la conduite d'alimentation d'eau ne puisse jamais venir en contact avec le disque.
- Vérifiez et si nécessaire corrigez le positionnement de la conduite d'alimentation d'eau avec le capot de protection pivoté complètement vers l'avant.

Remontage de la poignée de réglage du capot de protection et du disque

- Remontez la poignée de réglage du capot de protection (3) avec les vis de fixation correspondantes sur le capot de protection.
- Montage du disque : → Chap. 5.1, page 17

5.9 Première mise en service / rodage

Après la fabrication, l'appareil à moteur est soumis à un processus de vérification et d'essai qui garantit que le moteur soit rodé par là de façon optimale.

C'est pourquoi qu'aucune mesure spéciale n'est nécessaire lors de la première mise en service.

6 Démarrage et arrêt du moteur



Respectez les dispositions de sécurité !

6.1 Procédure de démarrage



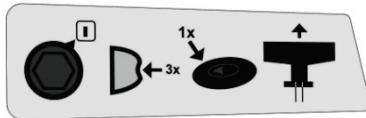
Préparatifs de démarrage






- Posez l'appareil à moteur sur un sol plat et sans obstacles et veillez à ce que le disque ne touche pas d'objets.
- Positionnez le capot de protection dans une position optimale en fonction des travaux à réaliser.
→ Chap. 5.4, page 19

Réglage automatique du mélange pour un démarrage à froid ou à chaud


L'appareil à moteur est équipé d'un carburateur contrôlé électroniquement. C'est pourquoi, aucun réglage spécial n'est nécessaire pour démarrer à froid ou à chaud (p. ex. utiliser un starter manuel).

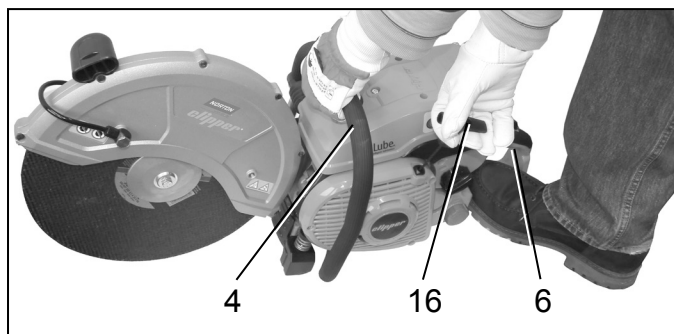
Indications de démarrage



- 
 • Tournez le bouton tournant d'arrêt en position de marche « 1 ».
- 
 • Utilisez l'amorce avant le premier démarrage. → Chap. 4.6, page 16
- 
 • Appuyez sur la valve de décompression avant le démarrage. → Chap. 4.6, page 16
- 
 • Mettez l'appareil à moteur en position de démarrage. → Chap. 6.2, page 26
- 
 • Tirez sur la poignée de démarrage. → Chap. 6.3, page 26

6.2 Position de démarrage


 Tout contact du disque avec des parties du corps ou des objets doit absolument être exclu.

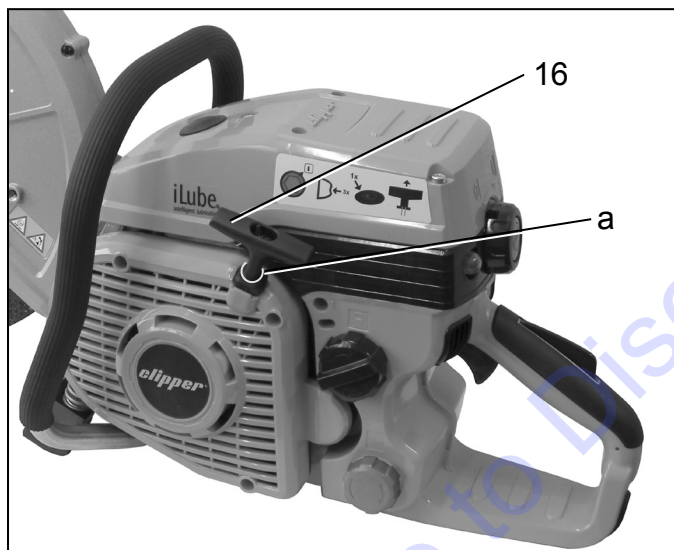


- Placez un pied dans la poignée arrière (6) et maintenez ainsi l'appareil à moteur contre le sol.
- Maintenez fermement l'appareil à moteur par la poignée de maintien (4) d'une main et appuyez-le fortement vers le sol.
- Maniez avec l'autre main la poignée de démarrage (16).

D'autres positions de démarrage ne sont pas tolérées !

6.3 Démarrage du moteur

 Les indications suivantes servent prolonger la durée de vie du mécanisme de démarrage :



- Tirez la poignée de démarrage (16) lors du lancement d'abord lentement jusqu'à atteindre une résistance tangible (point mort supérieur du piston).
- Tirez ensuite rapidement et résolument la poignée de démarrage à fond.
- Tirez toujours de telle manière à ce que la corde soit rectiligne.
- Ne faites pas frotter la corde sur le rebord de l'œillet de la corde (a)
- Risque de rupture de la corde !
Ne tirez pas la corde jusqu'en butée.
- Ramenez toujours la poignée de démarrage dans sa position de départ – ne la lâchez pas.

Les cordes de démarrage endommagées peuvent être changées par un atelier agréé par le fabricant.

6.4 Arrêt du moteur

Lâchez le levier de gaz et appuyez sur le bouton d'arrêt à pression unique.

 Avant de reposer l'appareil à moteur veillez à ce que le disque soit complètement arrêté.

Recommandation : ne tournez le bouton rotatif d'arrêt à "0" que pour les travaux de maintenance, vous éviterez ainsi tout redémarrage intempestif du moteur. Lors de l'utilisation normale de l'appareil à moteur, seule la touche d'arrêt à pression unique ne devrait être utilisée pour arrêter le moteur.

7 Utilisation de l'appareil à moteur



Respectez scrupuleusement toutes les dispositions de sécurité et généralement toutes les indications dans les autres chapitres de ces instructions d'emploi lors de tous les travaux !

Listes de contrôle lors de l'utilisation (uniquement mots-clé !)



- Avant le démarrage :
 - Appareil à moteur en état de fonctionner de manière sûre ! → Instructions d'emploi complètes
 - Tenue préconisée → Chap. 3.3, page 8
 - Environs de la zone de travail explorés et sûrs → Chap. 3.2, page 6, et chap. 3.9, page 10
 - Disque correct monté → Chap. 5.1, page 17, et chap. 7.1, page 27
 - Capot de protection en position optimale → Chap. 5.4, page 19
 - Position du dispositif de coupe, préférence à la position centrale .. → Chap. 5.8, page 22
 - Tension de la courroie correcte → Chap. 5.6, page 21
 - Combustibles ravitaillés → Chap. 5.5, page 19
- Démarrage : → Chap. 6, à partir de la page 25
 - Préparatifs au démarrage → Chap. 6.1, page 25
 - bouton tournant d'arrêt en position de marche → Chap. 6.1, page 25
- Pendant le travail – travaillez par définition de manière sûre : → Instructions d'emploi complètes
 - Vérifiez le réglage du ralenti → Chap. 8.3, page 32
 - Évaluation de la situation de travail → Chap. 3.9, page 10, chap. 7.2, page 28, et chap. 7.3, page 29
 - Préférez une coupe humide → Chap. 5.7, page 21
 - Technique de travail sûre → Chap. 7.3, page 29, chap. 7.4, page 29, et chap. 7.5, page 29
 - Indications d'utilisation et de maintenance complètes → Chap. 8, à partir de la page 30
 - Filtre à air propre → Chap. 8.4, page 32
- Après le travail : → Instructions d'emploi complètes
 - Nettoyage et entretien → Chap. 8.1, page 30
 - Stocker l'appareil à moteur de manière sûre → Chap. 8.10, page 39
 - Entretien → Instructions d'emploi complètes

7.1 Disques



Seuls des disques qui correspondent aux normes ANSI B7.1, EN 12413 et EN 13236 et qui sont absolument intacts peuvent être utilisés.

La vitesse de rotation maximale de la broche de l'appareil à moteur est de 4.550 min^{-1} [4.550 RPM]. Utilisez exclusivement des disques de découpe haute vitesse dont la vitesse de rotation maximale est d'au moins 4.550 min^{-1} [4.550 RPM].

Des disques différents sont proposés pour le traitement des métaux (coupe à chaud) et pour le traitement des matières minérales (coupe à froid). En principe, seul un disque agréé pour la matière à travailler doit être utilisé.

Des disques de diamant sont exclusivement permis pour couper des matières minérales.

Lors du montage de disques de diamant, le sens de rotation qui est indiqué sur le disque de diamant doit absolument être respecté, puisque l'effet de coupe serait rapidement diminué par la perte du diamant.

Sens de rotation du disque monté : → Chap. 5.1, page 17

Les disques en résine artificielle ne doivent pas être exposés à l'humidité. Le raccordement d'eau pour la coupe humide ne doit pas être utilisé avec des disques en résine artificielle. N'utilisez pas les disques en résine artificielle avec une humidité de l'air élevée et sous la pluie.

L'axe de l'appareil à moteur est conçu pour des disques avec un diamètre intérieur de 20 mm.

Les disques d'un diamètre intérieur de 1" ne doivent être utilisés qu'avec le plateau d'adaptation à l'axe compris dans le contenu de la livraison de l'appareil à moteur.

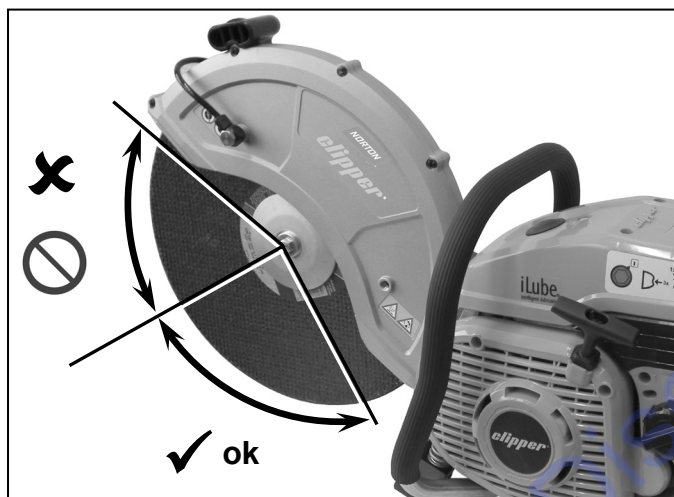
Montage du disque avec un diamètre intérieur de 1" : → Chap. 5.2, page 18

Les disques d'un diamètre intérieur différent ne doivent pas être utilisés !

Ne pas modifier le diamètre intérieur en le perçant ni de toute autre façon.


Les nouveaux disques doivent être testés avant le premier processus de coupe au moins pendant 60 secondes avec le régime maximum indiqué. Aucun élément d'un corps ne doit se trouver dans le prolongement de la zone de décalage du disque.

7.2 Zone de coupe autorisée et risque des forces de recul (Kickback) et risque d'entraînement




✘ Le secteur supérieur du disque ne doit pas être utilisé pour couper !

✔ Seul le secteur inférieur du disque doit être utilisé pour couper !

 **Risque de blessures causées par le recul (Kickback) !**
Les forces de recul naissent quand on utilise la zone supérieure du disque pour couper.
L'appareil à moteur est alors sans contrôle et projeté à haute vitesse vers la tête de l'utilisateur.

- Ne coupez jamais avec le secteur supérieur du disque !
- En reprenant des coupes déjà, commencées une précaution accrue est nécessaire !

 **Risque de blessure par entraînement !**
L'entraînement naît, si la coupe est rétrécie (déchirure ou objet sous tension).
L'appareil à moteur est dans ce cas accéléré vers l'avant sans contrôle et avec une énergie élevée.

- Réalisez toujours un processus de coupe et une seconde attaque d'une coupe déjà commencée avec un régime de rotation maximal.
- Maintenez toujours l'objet de telle sorte que la coupe soit sous tension, afin que le disque ne soit pas coincé lors de la coupe.
- Au début du processus de coupe, rapprochez toujours le disque prudemment vers l'objet, ne procédez pas par saccades.
- Ne jamais couper plusieurs objets en même temps !
- Veillez en coupant qu'aucun autre objet à couper ne soit touché.

7.3 Comportement au travail et technique de travail

- Lors de processus de coupe plus complexes, la direction et l'ordre des coupes doivent être définis avant, pour empêcher le coincement du disque par les particules extraites et éviter des blessures par la chute de parties.
- Tenez toujours l'appareil à moteur avec les deux mains. Main droite sur la poignée arrière, main gauche sur la poignée de maintien. Empoignez solidement les poignées avec les pouces.
- Exploitez si possible l'appareil à moteur à haut régimes.
- Un changement de direction (rayon inférieur à 5 m [env. 15 ft]), une pression latérale ou une inclinaison de l'appareil à moteur pendant le processus de coupe sont interdits.
- En coupant des objets à travailler utilisez une assise sûre et sécurisez l'objet contre des glissements et des rotations. L'objet ne doit pas être retenu avec le pied ou une autre personne.
- Soyez toujours prêts à des forces de recul de la pièce à travailler et assurez un espace de recul suffisant.
- Veillez à ce que le matériel séparé ne puisse pas causer de blessures ou des dégâts matériels.

7.4 Coupe de métaux



Portez toujours l'équipement de protection respiratoire lors d'une coupe à sec.

Les métaux sont chauffés et fondus au point de contact par la rotation rapide du disque.

- Pivotez le capot de protection aussi loin que possible vers le bas, pour orienter la projection d'étincelle le plus possible vers l'avant, c.-à-d. loin de l'utilisateur.
- Avant la coupe déterminez le profil de la coupe, marquer-le et approchez le disque du matériel à un régime moyen. Ce n'est qu'après l'amorce de la coupe dans la rainure de guidage que vous pouvez continuer la coupe à haut régime et avec une pression accrue.
- Ne réalisez la coupe que de manière linéaire et verticale. Toujours bien aligner l'appareil.
- On atteint le mieux une coupe sûre et égale en tirant et/ou en poussant de manière contrôlée l'appareil à moteur en avant. En guidant l'appareil à moteur vers l'avant ne poussez pas le disque dans le matériel en plus de l'avancée provoquée par la rotation disque.
- Les barres métalliques rondes d'un diamètre important doivent être coupées par étapes.
- Les tuyaux fins se coupent facilement par une coupe verticale.
- Traitez les tuyaux d'un diamètre important comme les barres métalliques pleines. Pour éviter de coincer le disque et pour avoir un meilleur contrôle du processus de coupe, ne laissez pas pénétrer le disque trop profond dans le matériel. Veillez à ce que la pièce ne touche pas les disques d'appui de la fixation du disque de découpe.
- Coupez les poutrelles doubles en T ou le fer cornière par étapes.
- Le fer plat ou les plaques d'acier se coupent comme les tuyaux, à plat en tirant, avec une longue surface de coupe.
- Entaillez toujours un peu sur la face sous pression des matériaux sous tension (des matériaux soutenus ou emmurés) puis couper sur la face sous tension afin que le disque ne soit pas coincé.

7.5 Coupez les matériaux minéraux

La coupe des matières minérales, génère vraiment beaucoup de poussière fine.

Recommandation : utilisez pour la coupe de matériaux minéraux le raccordement d'eau de l'appareil à moteur et des disques de coupe appropriés pour la coupe humide.

Lors de la coupe avec une alimentation d'eau, la poussière est liée, le contrôle visuel est amélioré et la durée de vie des disques est prolongée par l'effet refroidissant de l'eau.

Branchement d'eau pour la coupe humide : → Chap. 5.7, page 21

De petits morceaux de matières minérales peuvent être arrachées au point de contact par la rotation rapide du disque de découpe et projetés hors de la rainure de découpe.

- Pivotez le capot de protection aussi loin que possible vers le bas, pour orienter les particules détachées le plus possible vers l'avant, c.-à-d. loin de l'utilisateur.
- Marquez le cours de la coupe et meulez une cannelure d'environ 5 mm [approx. 3/16"] sur toute la longueur avec la moitié de la puissance de l'appareil à moteur. Cette cannelure guidera ensuite exactement l'appareil à moteur lors du processus de coupe.
- Réalisez le processus de coupe avec des déplacements de va et vient réguliers.
- En entaillant des plaques de pierre, il suffit de tailler une cannelure plate (évités un développement de poussière inutile), pour couper ensuite proprement la partie en porte à faux sur une assise plane.

8 Instructions de fonctionnement et de maintenance



L'entretien et le dépannage des appareils à moteur modernes ainsi que ses sous-groupes liés à la sécurité exigent une formation spécialisée qualifiée et un atelier équipé avec des outils spéciaux et des appareils d'essai.

Recommandation : faites effectuer tous les travaux non décrits dans ces instructions d'emploi et tous les travaux dont vous ne vous sentez pas capable par un atelier spécialisé et agréé par le fabricant.

Le spécialiste dispose de la formation, de l'expérience et de l'équipement nécessaires et vous propose au cas par cas la solution la plus économique. Il vous aide par tous les moyens.



Respectez les dispositions de sécurité lors de tous les travaux d'entretien !



Après un rodage d'environ 5 heures de fonctionnement, le serrage de toutes les vis et écrous accessibles (sauf les vis de réglage du carburateur) doit être vérifié et éventuellement resserré.

Stockez de préférence l'appareil à moteur à un endroit sec et sûr avec le réservoir d'essence plein. Il ne doit pas y avoir de feu ouvert ou similaire à proximité.

En cas de stockage prolongé, (> 4 semaines) les indications du chap. 8.10 page 39 doivent être respectées.

8.1 Nettoyage et soins



L'appareil à moteur doit être nettoyé en profondeur après chaque utilisation et vérifié pour détecter les endommagements, en particulier les ouvertures de refroidissement dans le boîtier du démarreur doivent être propres et dégagées.

Avec le temps, des dépôts de matériels se forment à l'intérieur du capot de protection (en particulier avec des coupes humides) qui risquent dans certains cas de gêner la rotation libre du disque.

Pour nettoyer, n'utilisez que des produits de nettoyage écologiques proposés par le commerce spécialisé. Ne nettoyez pas avec du carburant !

- Démontez le disque et la rondelle de butée. → Chap. 5.3, page 18
- Enlevez les dépôts de matériaux à l'intérieur du capot de protection avec une baguette en bois ou similaire.
- Nettoyez l'axe et toutes les pièces démontées et vérifiez si elles ne sont pas endommagées.
- Nettoyez le disque et vérifiez s'il n'est pas endommagé. Si des dégâts sont constatés, mettez le disque immédiatement au rebut en bonne et due forme, pour éviter qu'il ne soit utilisé à nouveau lors d'une prochaine intervention.

- Vérifier l'absence de dommages sur le capot de protection. Si vous constatez des dommages, remplacez le capot de protection par un capot intact avant d'utiliser l'appareil à moteur et éliminer immédiatement et correctement le capot endommagé.
- Remontez la rondelle de butée, toutes les autres pièces et le disque. → Chap. 5.1, page 17

8.2 Nettoyage de la cartouche du filtre à tamis de l'accouplement



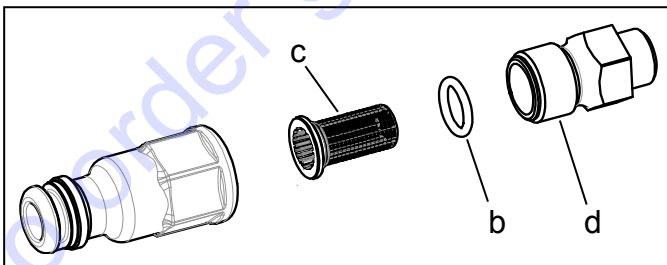
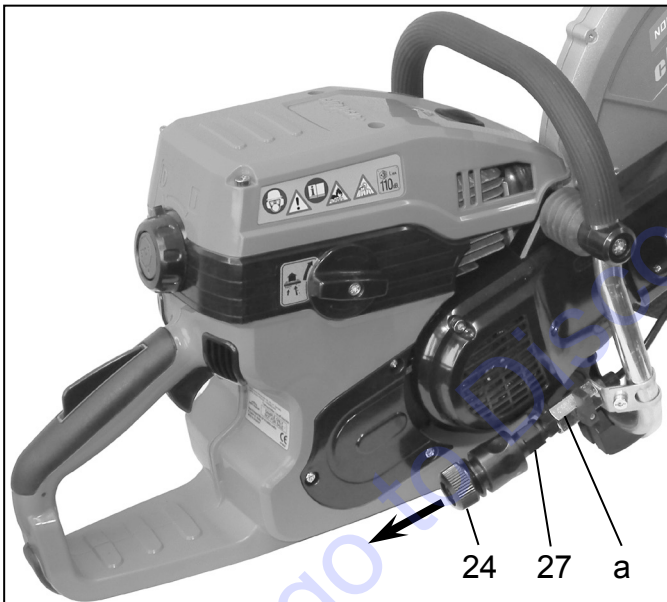
L'accouplement de la conduite d'alimentation d'eau pour la coupe humide est équipé d'une cartouche filtrante avec filtre à tamis qui doit prévenir un bouchage de la conduite d'alimentation d'eau par des salissures contenues dans l'eau de la conduite.

Branchement d'eau pour la coupe humide : → Chap. 5.7, page 21



Risque de pollution de la conduite d'alimentation d'eau !
N'ouvrez le branchement d'eau que dans un environnement propre.

La cartouche filtrante du filtre à tamis doit être démontée et nettoyée en profondeur toute les semaines ou si la quantité d'eau acheminée nécessaire à la coupe humide n'est plus suffisante, selon les indications suivantes :

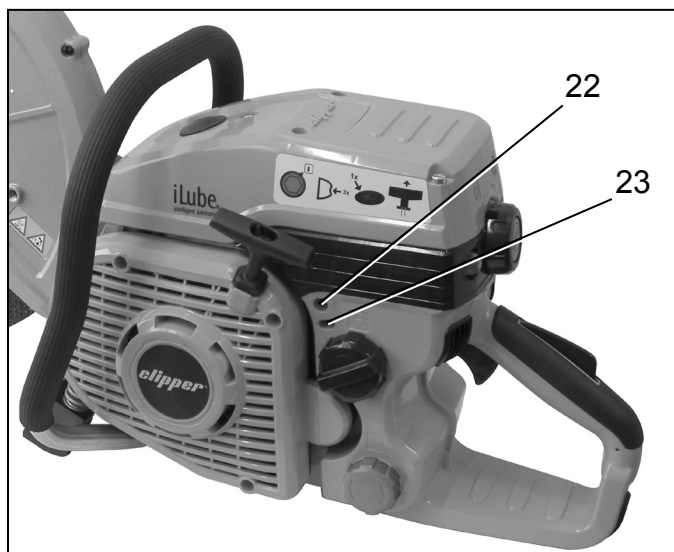


- Arrêtez le moteur et tournez le bouton tournant d'arrêt sur « 0 ». Arrêt du moteur : → Chap. 6.4, page 26
- Enlevez le branchement de l'accouplement de la conduite d'alimentation d'eau. Pour cela, retirez le branchement de l'accouplement (24) dans le sens de la flèche du raccord du filtre à tamis (27) de la conduite d'alimentation d'eau.
- Dévissez l'accouplement du filtre à tamis du branchement (a) de la conduite d'alimentation d'eau avec une clé plate adaptée.
- Démontez l'accouplement du filtre à tamis (27) avec une clé plate adaptée.
- Enlevez la cartouche filtrante du filtre à tamis (c) de son emplacement (c) de l'accouplement.
- Retirez le joint (b) de la cartouche du filtre à tamis.
- Rincez avec de l'eau propre jusqu'à ce qu'il n'y ait plus de résidus de saleté la cartouche filtrante du filtre à tamis, le branchement du raccordement, les deux parties du raccord de filtre et le joint.
- Remontez le joint (b) sur la cartouche du filtre à tamis (c).
- Remettez la cartouche du filtre à tamis (c) avec le joint (b) dans le bon sens (voir illustration) dans son emplacement (d) de l'accouplement .
- Remontez l'accouplement du filtre à tamis.
- Revissez l'accouplement du filtre à tamis en place sur le branchement (a) de la conduite d'alimentation d'eau.
- Remettez le branchement de l'accouplement en place.

8.3 Ralenti / réglage du carburateur



- Le disque ne doit pas être entraîné au ralenti !
Le niveau du ralenti doit être vérifié avant de démarrer tout travaux et à corriger le cas échéant.



Avec un réglage correct du ralenti, le moteur devrait tourner sans à coups au ralenti, sans que le disque ne soit entraîné.

Le carburateur est réglé de manière optimale en usine.

Selon le lieu d'emploi, une correction du réglage du ralenti peut être nécessaire avec la vis de butée du ralenti « T » (22).

Les vis de réglage du carburateur « L » (réglage du mélange au ralenti) et « H » (réglage du mélange à pleine puissance) (23) ne doivent être ajustées que par un atelier spécialisé agréé par le fabricant.

Vis de butée du ralenti « T »

La vis de butée du ralenti « T » peut être réglée avec le petit tournevis compris dans le contenu de la livraison.

Pour faire un réglage correct, le filtre à air doit être propre. Entretien du filtre à air : → Chap. 8.4, page 32
Laissez chauffer le moteur avant le réglage.

Pour régler le régime du ralenti indiqué dans les données techniques (chap. 4.3, page 13), procédez, de préférence à l'aide d'un compte-tours, de la manière suivante :

- Régime du ralenti trop haut (en particulier si le disque tourne sans accélérer) :
→ Ouvrez un peu la vis de butée du ralenti « T » dans le sens contraire des aiguilles d'une montre.
- Régime du ralenti trop bas (c.-à-d. que le moteur cale souvent au ralenti) :
→ Fermez un peu la vis de butée du ralenti « T » dans le sens des aiguilles d'une montre jusqu'à ce que le moteur tourne sans à coups et sans caler.

Si un réglage optimal du carburateur ne peut pas être atteint en tournant de la vis de butée du ralenti « T », faites ajuster de façon optimale le carburateur par un atelier spécialisé agréé par le fabricant.

8.4 Entretien du filtre à air



Un filtre à air sale réduit la puissance. La consommation de carburant et la quantité de polluant dans les gaz d'échappement augmentent. D'autre part, le démarrage est plus difficile.

Vidage intermédiaire du filtre à air

- Tournez le bouton rotatif d'agitation (29) pour faire un vidage grossier du filtre à air pendant les travaux. Le boîtier du filtre à air y compris des filtres à air sont agités par là et la poussière lâche tombe. Inclinez légèrement l'appareil à moteur vers l'arrière et faites tomber la poussière par les ouvertures d'aspiration. Tournez en cas de besoin plusieurs fois le bouton rotatif d'agitation.

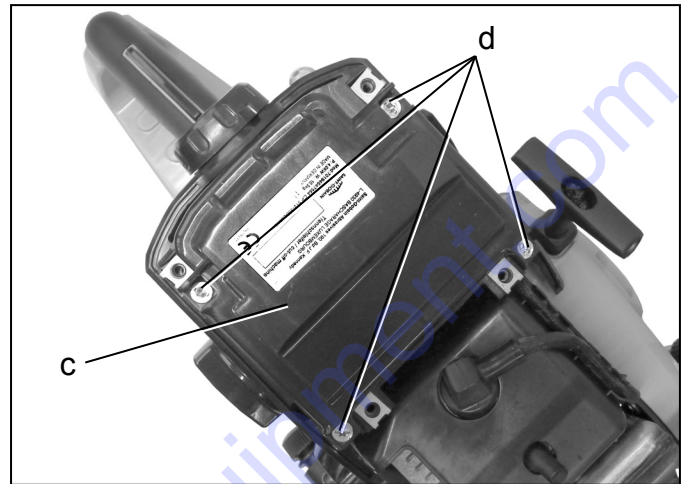
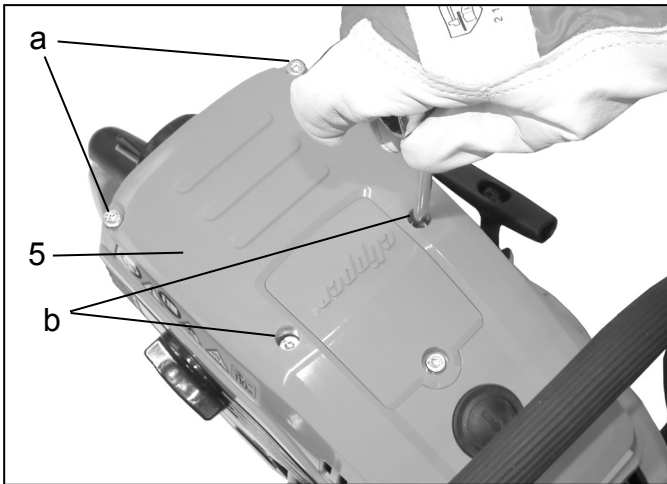
Nettoyage du filtre à air

Le filtre à air doit être démonté et nettoyé en profondeur toute les semaines ou si la puissance du moteur baisse nettement.

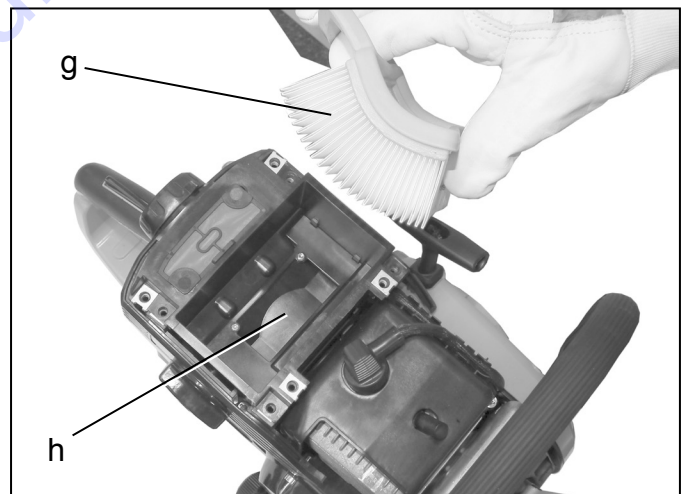
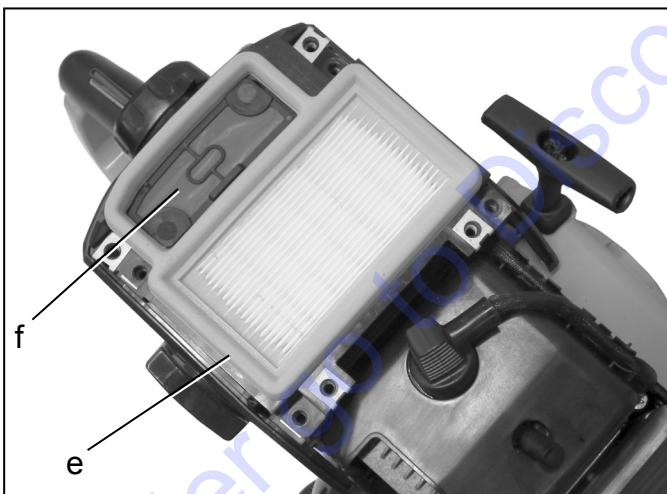


Risque de salissure de l'intérieur du filtre !

N'ouvrez le capot et le couvercle du boîtier du filtre à air que dans un environnement propre.



- Arrêtez le moteur et tournez le bouton tournant d'arrêt sur « 0 ». Arrêt du moteur : → Chap. 6.4, page 26
- Desserrez les quatre vis de fixation (a) et (b) du capot (5). Enlevez le capot.
- Desserrez toutes les quatre vis de fixation (c) du couvercle du boîtier du filtre à air (d) et enlevez le couvercle du boîtier du filtre à air.



L'habillage à mailles fines (f) et le filtre à air (g) ne doivent pas être nettoyés ni avec de l'humide ni avec de l'air comprimé.



Risque de casse moteur à cause d'un filtrage insuffisant ! Remplacez immédiatement le matelas filtrant endommagé !

- Saisissez le filtre à air au niveau du cadre du filtre à air (e) et enlevez-le vers le haut.
- Donnez de petits coups ou séparez les différentes couche de papier (g) est le plus approprié au nettoyage du filtre à air.
- Saisissez l'appareil à moteur avec les deux mains et tournez-le, pour vider la boîte du filtre à air (h).
- Dépoussiérez avec un pinceau sec l'habillage à mailles fines (f) ainsi que le boîtier du filtre à air.
- Remettez le filtre à air.
- Remontez les éléments du boîtier.

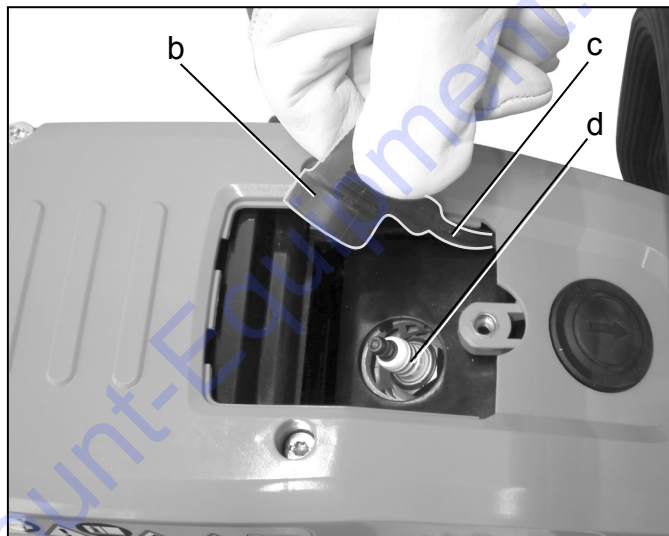
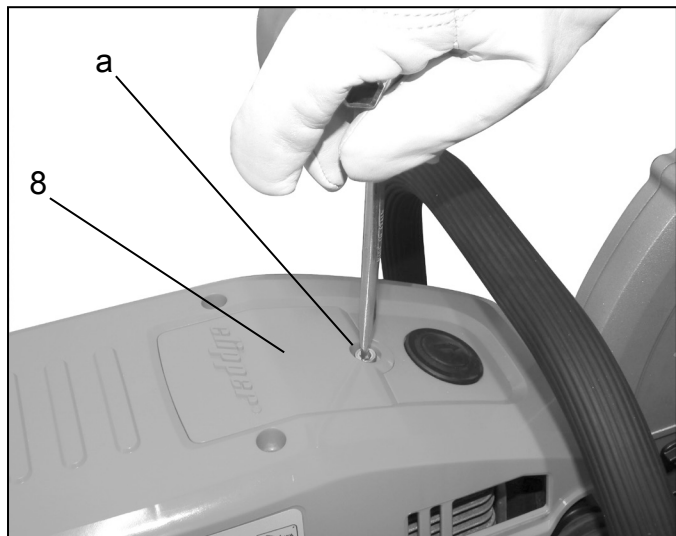
- ⚠ Tenir compte lors du remontage des éléments du boîtier du positionnement correct des parties du boîtier, d'utiliser les vis correspondantes respectives et de resserrer solidement toutes les vis. Les vis de fixation du capot (a) et (b) ne doivent pas être interverties. Les deux vis de fixation du capot (b) sont plus courtes que les vis (a).

8.5 Vérification et éventuel remplacement de la bougie



- ⚠ Risque de salissure de l'intérieur de l'appareil à moteur !
N'ouvrez le cache de la bougie que dans un environnement propre.

La bougie doit être vérifiée régulièrement toutes les 50 heures de service.



- Arrêtez le moteur et tournez le bouton tournant d'arrêt sur « 0 ». Arrêt du moteur : → Chap. 6.4, page 26
- Desserrez les vis de fixation (a), puis soulevez le cache de la bougie (8) par la collerette pour l'enlever ensuite.
- Enlevez la prise de la bougie (b) de la bougie (d) située en dessous.

- ⚠ Risque d'incendie par la formation d'étincelles !
Ne mettez pas le moteur en mouvement si la bougie (d) est dévissée ou si le câble d'allumage (c) est sorti de sa prise.

- Dévissez la bougie (d) et séchez-la correctement.
- Nettoyez la bougie avec un chiffon sec et vérifiez les électrodes. Il ne doit pas y avoir de corps étranger entre les électrodes. Enlevez en brossant avec une brosse à bougies les éventuels corps étrangers.



0,5 mm [env. 0,02"]

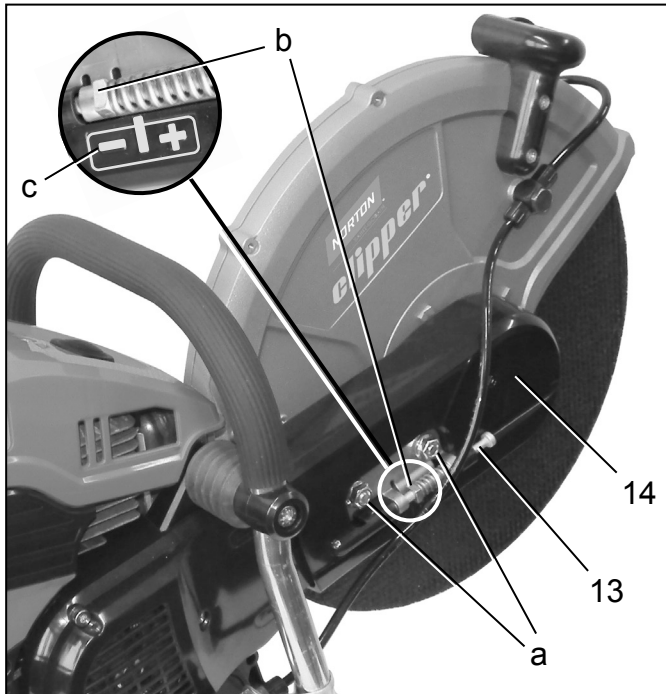
- Si les électrodes sont fortement décalaminées, la bougie doit être remplacée immédiatement – sinon, après 100 heures de service.
- Écart préconisé entre les électrodes : 0,5 mm [env. 0,02"]
Si l'écart entre les électrodes n'est pas correct, la bougie doit être remplacée. Les bougies déparasitées suivantes sont autorisées pour une utilisation dans cet appareil à moteur :
BOSCH WSR6F, CHAMPION RCJ-6Y et NGK BPMR7A
L'utilisation d'autres bougies n'est pas autorisée !

- Vérifiez le câble d'allumage (c) il doit avoir un contact parfait et une isolation intacte. Si l'isolation est endommagée ne continuez pas à travailler, mais faites faire une réparation dans un atelier spécialisé agréé par le fabricant.
- Revissez la bougie (d). Couple de serrage : 25 Nm [18,4 ft·lbf]
- Appuyez fortement la cosse de la bougie (b) sur la bougie (d) lors du remontage.
- Remontez le cache de la bougie (8).

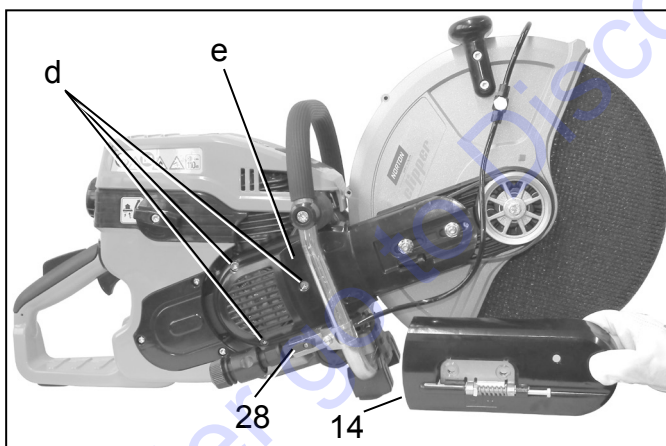
8.6 Changement de la courroie cannelée



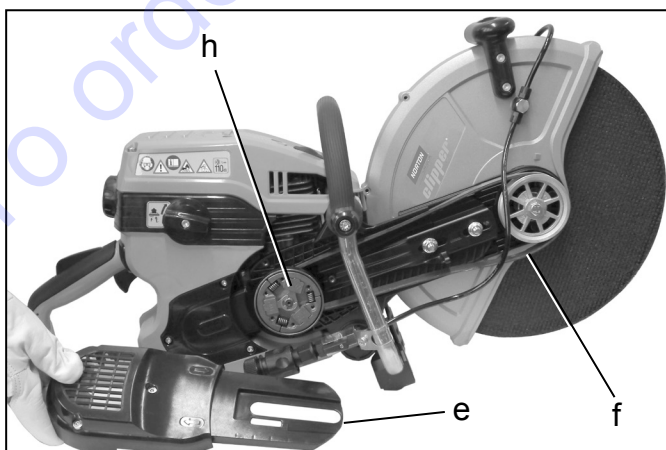
Risque de salissure pour la courroie cannelée, la construction porteuse correspondante et l'embrayage ! N'ouvrez l'habillage de la courroie cannelée et l'habillage de l'embrayage que dans un environnement propre.



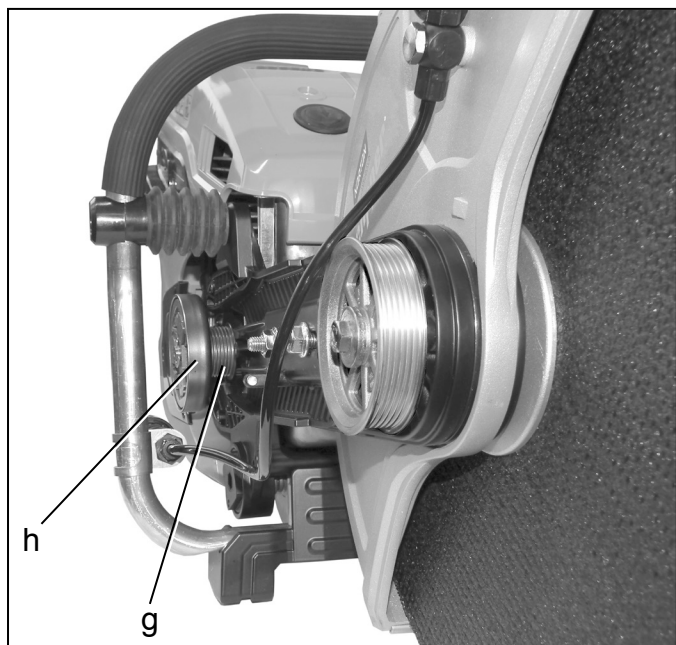
- Arrêtez le moteur et tournez le bouton tournant d'arrêt sur « 0 ». → Chap. 6.4, page 26
- Coupez l'alimentation d'eau vers l'appareil.
- Posez l'appareil à moteur sur un sol plat.
- Desserrez les deux écrous de fixation (a) de l'habillage de la courroie cannelée (14).
- Tournez la vis de serrage de la courroie cannelée (13) vers la gauche, c.-à-d. dans le sens contraire des aiguilles d'une montre pour réduire la tension de la courroie cannelée. Tournez jusqu'à ce que l'écrou 4 pans (b) soit déplacée aussi loin que possible vers le marquage « - » (c). Lors d'un montage du dispositif de coupe en position centrale (cf. illustration), l'écrou 4 pans se trouve alors tout à gauche, lors d'un montage en la position extérieure tout à droite.
- Dévissez complètement les deux vis de fixation (a).



- Enlevez l'habillage de la courroie cannelée (14).
- Revissez et serrez légèrement les écrous de fixation (a) de l'habillage de la courroie cannelée (14) sur les vis correspondantes, afin que le dispositif de coupe ne puisse pas tomber.
- Desserrez toutes les 3 vis de fixation (d) de l'habillage de l'embrayage (e). Les vis ne doivent être desserrées que jusqu'à ce qu'elles puissent être tournées facilement. Un dévissage complet des vis n'est pas nécessaire, puisque les vis doivent rester dans l'habillage.
- Positionnez le levier de la vanne (28) de l'alimentation d'eau parallèlement au raccord, afin qu'il ne gêne pas dans l'étape de travail suivante.



- Enlevez l'habillage de l'embrayage (e).
- Enlevez l'ancienne courroie cannelée (f) et/ou tous les restes de l'ancienne courroie cannelée et d'éventuels autres corps étrangers.
- Nettoyez maintenant la zone dégagée avec une petite brosse ou un pinceau.
- Placez la nouvelle courroie cannelée du côté de l'entraînement au dessus de l'embrayage sur la bande de roulement striée (g) derrière la cloche d'embrayage (h).











- Placez l'autre côté de la courroie cannelée côté sortie sur la bande de roulement striée (i) de l'appui de la courroie cannelée.
- Vérifiez que la courroie cannelée se déplace librement. Corrigez éventuellement la position de la courroie cannelée.
- Remplacez l'habillage de l'embrayage et contrôlez si la courroie cannelée se déplace encore librement. Enlevez à nouveau si nécessaire l'habillage de l'embrayage et corrigez le positionnement de la courroie cannelée.
- Resserrez toutes les 3 vis de fixation (d) de l'habillage de l'embrayage (e).
- Vérifiez si la courroie cannelée se déplace toujours librement. Desserrez à nouveau si nécessaire les vis de l'habillage de l'embrayage et corrigez le positionnement de la courroie cannelée.
- Desserrez les deux écrous de fixation (a) de l'habillage de la courroie cannelée.
- Remettez l'habillage de la courroie cannelée (14).
- Serrez les deux écrous de fixation (a) de l'habillage de la courroie cannelée. Ne serrez les écrous qu'à la main de telle manière que la tension de la courroie cannelée puisse encore être ajustée.
- Tournez la vis de serrage de la courroie cannelée (13) vers la droite, c.-à-d. dans le sens des aiguilles d'une montre pour augmenter la tension de la courroie cannelée. La tension est correcte, si l'écrou 4 pans (b) est placé sur le marquage axial, c.-à-d. entre « + » et « - ».
- Serrez les deux écrous de fixation (a) de l'habillage de la courroie cannelée.
- Refermez le levier de la vanne de l'alimentation d'eau, c.-à-d. positionnez le levier de la vanne perpendiculairement au branchement d'eau.

8.7 Remplacement du filtre à carburant



Le remplacement du filtre à carburant dans le réservoir de carburant est à faire effectuer par un atelier spécialisé agréé par le fabricant, une fois par an à l'occasion de la révision.

8.8 Plan de maintenance

 Les indications suivantes se réfèrent à des conditions d'exploitation normales. Dans des conditions particulières, comme p. ex. un horaire de travail quotidien particulièrement long, les intervalles d'entretien indiqués doivent être raccourcis en conséquence. Effectuez les travaux d'entretien régulièrement. Chargez un atelier spécialisé agréé par le fabricant, si vous ne pouvez pas effectuer tous les travaux vous-même. Le propriétaire de l'appareil à moteur est également responsable pour : <ul style="list-style-type: none"> • Dommages dus à des travaux de réparation ou d'entretien non réalisés ou non réalisés dans les temps. • Dommages induits – également la corrosion – lors d'un stockage inadéquat 		Une fois après 5 heures de service	Avant et après chaque utilisation	Hebdomadaire	Toutes les 50 heures de service	Toutes les 100 heures de service	En cas de besoin	Lors d'une mise en service après une mise hors service / annuellement
 Ouvertures de refroidissement du boîtier de démarreur	Nettoyage		X				X	
 Carburateur → Chap. 8.3, page 32	Vérification du ralenti		X					
	Réglage du ralenti (vis « T »)						X	
	Réglage du carburateur (vis « L » / « H ») (uniquement pour les ateliers spécialisés)						X	
 Filtre à air → Chap. 8.4, page 32	Vidage intermédiaire du filtre à air		X				X	
	Nettoyez soigneusement le filtre à air			X			X	
	Remplacer						X	
 Filtre à tamis de la conduite d'alimentation en eau → Chap. 8.2, page 31	Nettoyage			X			X	
 Bougie → Chap. 8.5, page 34	Vérifiez le siège ferme du câble d'allumage et de la cosse de la bougie		X				X	
	Vérifiez l'écart des électrodes et remplacez éventuellement la bougie				X			X
	Remplacer					X	X	
 Toutes les vis accessibles (sauf les vis de réglage)	À resserrer	X					X	X
Éléments de commande (bouton/palpeur d'arrêt, levier de gaz, blocage du levier de gaz, démarreur)	Vérifiez les fonctionnalités		X					
 L'ensemble de l'appareil à moteur	Contrôle visuel de l'état général <ul style="list-style-type: none"> • Vérifiez si le disque et le silencieux présentent des dommages. • Vérifiez l'étanchéité du bouchon du réservoir 		X					
	<ul style="list-style-type: none"> • Vérifiez la tension de la courroie cannelée → Chap. 5.6, page 21 		X					
	Nettoyage			X			X	X

En outre, les prestations suivantes doivent être réalisées dans le cadre de la révision annuelle à faire par un atelier spécialisé agréé par le fabricant :

- Vérification complète de l'ensemble de l'appareil à moteur
- Nettoyage professionnel du moteur (réservoir de carburant, ailettes du cylindre, ...)
- Vérification et échange éventuel des pièces d'usure, en particulier le remplacement annuel du filtre à carburant
- Réglage optimal du carburateur

8.9 Recommandation pour se dépanner

Dysfonctionnement possible :



- Le moteur ne démarre pas
 - Bouton tournant d'arrêt
 - Positionnez le bouton tournant d'arrêt en position de marche « 1 » ... → Chap. 6.1, page 25
 - Bougie
 - Nettoyer ou échanger → Chap. 8.5, page 34
 - Ancien carburant
 - Videz et nettoyez le réservoir, remettez du nouveau carburant → Chap. 5.5, page 19
- Le disque n'est pas entraîné correctement
 - Corps étranger dans le capot de protection
 - Nettoyage du capot de protection → Chap. 8.1, page 30
 - Tension de la courroie cannelée trop faible
 - Réglez correctement la tension de la courroie cannelée → Chap. 5.6, page 21
- Le disque tourne au ralenti
 - Vis de butée « T » du ralenti
 - Réglez correctement la vis de butée « T » du ralenti → Chap. 8.3, page 32
 - Embrayage défectueux
 - Atelier spécialisé pour service après-vente
- Mauvaise puissance du moteur
 - Filtre à air bouché
 - Nettoyez soigneusement le filtre à air → Chap. 8.4, page 32
 - Réglages du carburateur (réglages L/H)
 - Atelier spécialisé pour service après-vente
- Alimentation d'eau insuffisante et/ou pas d'alimentation lors d'une coupe humide
 - Le levier de la vanne de l'alimentation d'eau n'est pas ouvert
 - Ouvrez le levier de la vanne → Chap. 5.7, page 21
 - Le branchement de l'alimentation d'eau est fermé
 - Ouvrir le branchement d'eau
 - Le réservoir sous pression de l'alimentation en eau est vide ou sans pression
 - Rajoutez de l'eau et/ou rétablissez l'alimentation en pression
 - Cartouche filtrante du filtre à tamis sale
 - Nettoyez soigneusement le filtre à air → Chap. 8.2, page 31
- Développement sonore modifié et le moteur n'atteint pas les régimes élevés (uniquement pour les modèles CP512-300i et CP514-350i)
 - Pas assez d'huile dans le réservoir
 - Rajoutez de l'huile de moteur → Chap. 5.5, page 19

8.10 Mise hors service et conservation

Avant la mise hors service et le stockage l'appareil à moteur doit être nettoyé en profondeur et vérifié pour détecter les dégâts.

Nettoyage et soins : → Chap. 8.1, page 30

Ne stockez l'appareil à moteur que dans des locaux secs. Il ne doit pas y avoir de feu ouvert ou similaire à proximité. Excluez une utilisation non autorisée – en particulier par des enfants.

Avant un long stockage (> 4 semaines) les réservoirs de combustibles doivent en plus être vidés et nettoyés à un endroit bien aérée. Démarrez le moteur avec le réservoir d'essence vide et videz le carburateur jusqu'à ce que le moteur s'arrête. Les restes d'huile du mélange de carburant pourraient d'ailleurs boucher les gicleurs du carburateur et compliquer un démarrage ultérieur.

9 Déclaration relative à la garantie du dispositif antipollution

9.1 Vos droits et obligations relatifs à la garantie

L'EPA (l'Environmental Protection Agency des É.-U.) et Saint-Gobain Abrasives, Inc. sont heureux d'expliquer la garantie du dispositif antipollution se trouvant sur votre petit moteur non routier de 2013 ou plus récent. Aux États-Unis, tous les nouveaux petits moteurs non routiers doivent être conçus, construits et équipés, en date de leur vente, de manière à respecter les réglementations de l'EPA relatives aux petits moteurs non routiers. Le moteur doit être exempt de défauts de matériaux et de fabrication qui pourraient entraîner une non-conformité aux réglementations et normes de l'EPA des É.-U. pendant les deux (2) premières années d'utilisation après sa date de vente au dernier acheteur. Saint-Gobain Abrasives, Inc. doit garantir le dispositif antipollution de votre petit moteur non routier pendant la période susmentionnée, à condition que ce moteur n'ait subi ni mauvais traitement, ni négligence, ni entretien incorrect.

Le dispositif antipollution comprend des pièces telles que le carburateur et le système d'allumage. La garantie relative aux émissions peut aussi inclure les tuyaux flexibles, les raccords et d'autres composants liés aux émissions. En cas d'état entrant dans le cadre de la garantie, Saint-Gobain Abrasives, Inc. réparera gratuitement votre petit moteur non routier. Les frais couverts par la garantie comprennent le diagnostic, les pièces et la main-d'œuvre.

9.2 Couverture de garantie du fabricant

Les petits moteurs non routiers de 2013 et plus récents sont garantis pendant deux (2) ans.

S'il s'avère qu'une pièce de votre moteur liée aux émissions (tel que susmentionné) est défectueuse, elle sera réparée ou remplacée gratuitement par Saint-Gobain Abrasives, Inc.

9.3 Garantie et responsabilités du propriétaire

En tant que propriétaire d'un petit moteur non routier, vous êtes tenu(e) d'effectuer l'entretien requis indiqué dans votre manuel d'utilisation. Saint-Gobain Abrasives, Inc. recommande que vous conserviez tous les reçus résultant de l'entretien de votre petit moteur non routier mais Saint-Gobain Abrasives, Inc. ne peut refuser la couverture de garantie seulement à cause de l'absence de reçus ou du fait que vous n'avez pas effectué tout l'entretien programmé. En tant que propriétaire de petit moteur non routier, vous devriez cependant savoir que Saint-Gobain Abrasives, Inc. peut refuser la couverture de garantie si votre petit moteur non routier ou l'une de ses pièces a eu une défaillance suite à un mauvais traitement, une négligence, un entretien incorrect, des modifications non autorisées ou l'utilisation de pièces soit non fabriquées soit non approuvées par le fabricant de l'équipement d'origine. Il vous appartient de présenter votre petit moteur non routier à un concessionnaire d'entretien autorisé par Saint-Gobain Abrasives, Inc. dès qu'un problème apparaît. Les réparations sous garantie doivent être effectuées dans un délai raisonnable, ne devant pas excéder 30 jours.

9.4 Couverture de Saint-Gobain Abrasives, Inc.

Saint-Gobain Abrasives, Inc. garantit à l'acheteur final et à chaque acheteur suivant que le moteur d'équipement non routier est conçu, construit et équipé en date de la vente pour être conforme à toutes les réglementations et normes applicables aux émissions de l'EPA des États-Unis. Saint-Gobain Abrasives, Inc. garantit aussi à l'acheteur final et à chaque acheteur suivant que le moteur est exempt de défauts de matériaux, de conception et de fabrication qui pourraient entraîner la non-conformité du moteur aux réglementations applicables aux émissions de l'EPA des É.-U. pendant une période de deux (2) ans.

9.5 Période de la garantie

Si l'un des composants de votre moteur lié aux émissions s'avère défectueux durant la période de garantie contre les émissions, Saint-Gobain Abrasives, Inc. remplacera gratuitement ce composant. La période de garantie commence à la date de livraison du petit moteur non routier. Toute pièce garantie qu'il n'est pas prévu de remplacer lors de l'entretien requis ou qui ne fait l'objet que d'une inspection régulière selon l'indication de « réparer ou remplacer selon le besoin » sera garantie pendant deux (2) ans. Toute pièce garantie qu'il est prévu de remplacer lors de l'entretien requis sera garantie jusqu'au premier remplacement programmé pour cette pièce.

9.6 Durée de la couverture

Saint-Gobain Abrasives, Inc. garantit au propriétaire initial et à chaque acheteur suivant que le moteur est exempt de défauts de matériaux et de fabrication qui pourraient provoquer la défaillance d'une pièce garantie pendant une période de deux (2) ans.

9.7 Ce qui est couvert

La réparation ou le remplacement de toute pièce garantie liée aux émissions sera effectué(e) gratuitement chez un concessionnaire d'entretien approuvé par Saint-Gobain Abrasives, Inc. Si vous avez des questions concernant vos droits et responsabilités dans le cadre de la garantie.

Veillez trouver ci-dessous la liste des pièces couvertes par la garantie contre les défauts des composants liés aux émissions. Certaines des pièces ci-dessous peuvent nécessiter un entretien programmé et sont garanties jusqu'au premier remplacement prévu.

- Système de dosage de carburant
 - Carburateur et pièces internes
 - Filtre à carburant, le cas échéant
 - Butée de papillon, le cas échéant
 - Système de starter, le cas échéant
- Système d'admission d'air
 - Plaque d'épurateur d'air, filtre à air
 - Boîtier d'épurateur d'air, collecteur d'admission
- Système d'allumage
 - Bougies
 - Magnéto de volant moteur
 - Bobine d'allumage
- Divers articles utilisés dans les systèmes ci-dessus
 - Tuyaux flexibles de carburant
 - Colliers et joints d'étanchéité

9.8 Diagnostic

Le propriétaire ne sera pas facturé pour le travail de diagnostic permettant de déterminer qu'une pièce garantie est défectueuse, si ce travail de diagnostic est effectué chez un concessionnaire d'entretien approuvé par Saint-Gobain Abrasives, Inc. Cependant, si une réclamation est déposée dans le cadre de la garantie et s'il s'avère que le moteur est testé et reconnu non défectueux, Saint-Gobain Abrasives, Inc. facturera le propriétaire pour le coût du test d'émissions. Le diagnostic mécanique sera effectué chez un concessionnaire d'entretien autorisé par Saint-Gobain Abrasives, Inc. Le test d'émissions peut être effectué chez Saint-Gobain Abrasives, Inc. ou dans n'importe quel laboratoire de tests d'émissions indépendant.

9.9 Dommages consécutifs

Saint-Gobain Abrasives, Inc. peut être tenu responsable de dommages survenus à d'autres composants du moteur provoqués par la défaillance d'une pièce garantie se trouvant encore sous garantie.

9.10 Limitations

Toute défaillance causée par un mauvais traitement, un entretien incorrect ou une négligence n'est pas couverte. Les réparations ou les remplacements non conformes aux spécifications de Saint-Gobain Abrasives, Inc. qui affectent la performance ou la durabilité ou d'autres modifications non approuvées par écrit par Saint-Gobain Abrasives, Inc. Saint-Gobain Abrasives, Inc. n'est pas tenu responsable de défaillances de composants garantis liées aux émissions causées par l'utilisation de pièces ajoutées ou modifiées.

9.11 Comment déposer une réclamation

Apportez le produit à n'importe quel établissement d'entretien autorisé par Saint-Gobain Abrasives, Inc. avec sa preuve d'achat. Si vous avez des questions sur la manière de déposer une réclamation au titre de la garantie relative aux émissions ou sur vos droits.

9.12 Déclaration concernant l'entretien

Le propriétaire de ce produit est tenu responsable de tout l'entretien requis tel qu'indiqué dans le manuel d'utilisation.

Manual de instrucciones de la tronadora de muela CP512-300 / CP514-350 // CP512-300i / CP514-350i

Estimado cliente:

Muchas gracias por haber elegido este producto de calidad de nuestra empresa.

Hace ya muchas décadas que somos fabricantes de equipos motorizados a gasolina que pueden operarse en forma manual y cargarse en la espalda. Cada uno de nuestros motores cuenta con los beneficios de nuestra experiencia.

Materiales modernos de producción en combinación con nuestra experiencia tecnológica garantizan una alta durabilidad y un gran valor útil de la máquina.

Los equipos motorizados de esta serie de modelos son tronadoras de muela de una calidad de producción alemana especialmente alta, concebidas específicamente para las altas exigencias de la aplicación profesional. Un motor nuevo de alta potencia de dos tiempos, con un cilindro vertical con capa de nikasil y la acreditada tecnología de cuatro canales para un rendimiento excelente, con bajo consumo de combustible y el más reciente control de emisiones, garantizan un alto valor útil de la máquina.

Encendido electrónico exento de mantenimiento, sistema antivibración que no afecta a la salud, sistema de aspiración patentado Twin-Pipe, sistema de vibración para el vaciado fácil del filtro de aire durante el trabajo, suministro de agua utilizable opcionalmente con el suministro de disco de corte de la rueda con el fin de reducir el polvo durante el trabajo, soluciones inteligentes con el varillaje del acelerador electrónico para el arranque fácil y diseño ergonómico y extremadamente compacto son responsables de un confort de manejo especialmente bueno y de un trabajo ampliamente libre de cansancio.

El equipo de seguridad es de última generación y cumple con todas las normas nacionales e internacionales de seguridad. Incluye, entre otros:

- Botón de parada One-Touch
- Bloqueo de la palanca aceleradora
- Limitador electrónico de velocidad
- Dispositivo de protección del disco de corte
- Dispositivo para detener el motor para mantenimiento



Le recomendamos que lea detenidamente el manual de uso y especialmente las normas de seguridad antes de comenzar a utilizar su unidad.

Si tras leer estas instrucciones de uso tiene preguntas, su distribuidor estará encantado de atender cualquier consulta que tenga.



Para mantener el rendimiento del dispositivo motorizado, es necesario seguir las instrucciones de mantenimiento.

Embalaje y eliminación de residuos

Guarde el embalaje original como protección contra daños de transporte o si tuviera que ser enviado o transportado. Si no se necesita el material de embalaje, este debe ser desechado según las correspondientes regulaciones locales. Los materiales de embalaje de cartón son materias primas y por lo tanto reutilizables o reciclables.

Una vez transcurrido el estado de funcionamiento, el aparato debe ser desechado según las correspondientes regulaciones locales.

Patentes

Patentes otorgadas:

- PCT/EP2011067574 (Lubricación automática)
- US20120152200 (Airbox)
- US20100206278
- US20100000846
- US20090007435
- EP2011594
- EP2011991
- EP2011992

Marcas registradas y marcas comerciales

Norton Clipper® es una marca registrada de Saint-Gobain Abrasives.

El resto de productos y nombres de compañías mencionados en este manual de instrucciones pueden ser marcas comerciales o marcas registradas de la producción respectiva. El uso de estos nombres por parte de terceros para sus propios fines puede violar los derechos de los fabricantes. La ausencia del signo ® o ™ no significa que el nombre es de marca libre.

Sujeto a modificaciones


En interés del desarrollo continuo de los dispositivos motorizados, se reservan todos los derechos referentes al material incluido en el volumen de suministro en cuanto al tipo, tecnología y equipamiento. De las instrucciones y las imágenes incluidas en este manual no se deriva ningún derecho a reclamación.


Índice

1	Referente a este manual de instrucciones	4
1.1	<i>Métodos de representación de este manual de instrucciones</i>	4
2	Símbolos de aviso, instrucciones e indicaciones	4
3	Instrucciones de seguridad	6
3.1	<i>Utilización para los fines previstos</i>	6
3.2	<i>Indicaciones generales de seguridad.....</i>	6
3.3	<i>Ropa de trabajo obligatoria / Equipo de protección personal</i>	8
3.4	<i>Repostar combustible</i>	8
3.5	<i>Durante el transporte</i>	9
3.6	<i>Durante el montaje, la limpieza, el mantenimiento y la reparación.....</i>	9
3.7	<i>Antes del arranque.....</i>	9
3.8	<i>Al arrancar.....</i>	10
3.9	<i>Durante el trabajo.....</i>	10
3.10	<i>Emisión de polvo.....</i>	11
4	Descripción del dispositivo motorizado	12
4.1	<i>Artículos incluidos en la entrega</i>	12
4.2	<i>Placa de modelo</i>	12
4.3	<i>Datos técnicos.....</i>	13
4.4	<i>Vistas de dispositivos y piezas importantes de mando y de función</i>	14
4.5	<i>Palanca aceleradora y bloqueo de la palanca aceleradora</i>	16
4.6	<i>Piezas funcionales para el arranque.....</i>	16
5	Preparación para el trabajo.....	17
5.1	<i>Montar los discos de corte</i>	17
5.2	<i>Montar los discos de corte con perforaciones interiores de 1".....</i>	18
5.3	<i>Desmontar el disco de corte</i>	18
5.4	<i>Ajustar la tapa protectora</i>	19
5.5	<i>Repostar combustible</i>	19
5.6	<i>Ajustar la correa</i>	21
5.7	<i>Tuberías de agua para corte húmedo.....</i>	21
5.8	<i>Cambiar el dispositivo de corte de la posición media a la posición exterior</i>	22
5.9	<i>Primera puesta en marcha / Arranque</i>	24
6	Arrancar el motor / Apagar el motor	25
6.1	<i>Procedimiento de arranque.....</i>	25
6.2	<i>Posición de puesta en marcha.....</i>	26
6.3	<i>Arranque del motor</i>	26
6.4	<i>Parar el motor</i>	26
7	Uso del dispositivo motorizado.....	27
7.1	<i>Discos de corte</i>	28
7.2	<i>Área de corte permitida y peligro de rebote (Kickback) o arrastre.....</i>	28
7.3	<i>Comportamiento en el trabajo y la tecnología de trabajo.....</i>	29
7.4	<i>Cortar metal</i>	29
7.5	<i>Cortar materiales minerales.....</i>	30
8	Indicaciones de funcionamiento y mantenimiento.....	31
8.1	<i>Limpieza y conservación.....</i>	31
8.2	<i>Limpiar el filtro del acoplamiento.....</i>	32
8.3	<i>Ajustar la marcha en vacío / carburador</i>	32
8.4	<i>Mantenimiento del filtro de aire</i>	33
8.5	<i>Compruebe las bujías y sustítuyalas si fuera necesario</i>	35
8.6	<i>Cambiar correa acanalada.....</i>	36
8.7	<i>Cambiar el filtro del combustible.....</i>	37
8.8	<i>Plan de mantenimiento</i>	38
8.9	<i>Sugerencias de autoayuda</i>	39
8.10	<i>Puesta fuera de servicio y almacenamiento</i>	40
9	Garantía	40
10	Piezas de desgaste	40
11	Declaración de garantía de controles de emisiones	41

1 Referente a este manual de instrucciones

Este manual es una parte indispensable del dispositivo motorizado.

 Contiene información importante e instrucciones sobre el uso del dispositivo motorizado. El cumplimiento de todas las especificaciones de seguridad y las instrucciones de manejo son un requisito previo para trabajar de forma segura con el dispositivo motorizado.

 Este manual de instrucciones, tiene que estar siempre disponible en el lugar de uso del aparato motorizado y debe ser leído por todas las personas que estén encargadas de trabajar con el aparato y alrededor del mismo (también para tareas de mantenimiento, conservación y reparación).

Estas instrucciones solo se deben utilizar como un manual de instrucciones del dispositivo motorizado CP512-300 / CP514-350 // CP512 300i / CP514 350i. Cualquier uso de los contenidos (texto e ilustraciones gráficas) - incluso parcial - sin el consentimiento previo y por escrito del fabricante está prohibido y podría dar origen a procesos legales.

1.1 Métodos de representación de este manual de instrucciones

Textos resaltados

Xxxxx El texto subrayado indica los subtítulos.

Xxxxx El texto en cursiva indica consejos e información para facilitar al usuario el manejo con el dispositivo motorizado.

1 Xxxxx El texto destacado en negro y numerado, indica los títulos de los capítulos principales.

1.1 Xxxx El texto destacado en gris y numerado, indica los títulos de los sub-capítulos.

Xxxxxxx Los marcos indican secciones especialmente destacadas.

Estructura

El manual está dividido en capítulos principales y sub-capítulos numerados. El índice de la página 3 muestra un resumen de la estructura.

Encabezado

Para ayudar a los usuarios a encontrar rápidamente los capítulos individuales, el encabezado contiene el capítulo principal al que se corresponde el contenido de cada página.


Representaciones gráficas


Algunos gráficos de este manual son representaciones esquemáticas y diagramas esquemáticos, y probablemente no sean modelos exactos. Sin embargo, el contenido es vinculante en todos los casos.


2 Símbolos de aviso, instrucciones e indicaciones

Importante: Si uno o más símbolos en estas instrucciones están centrados y directamente debajo de un título del capítulo, la referencia se aplica a todo el capítulo.

Símbolos de aviso, instrucciones e indicaciones utilizados en este manual de instrucciones y en el dispositivo motorizado:

 ¡Peligro! El incumplimiento de las instrucciones puede causar accidentes con lesiones fatales.

 ¡Cuidado! El incumplimiento de estas instrucciones puede provocar daños del dispositivo motorizado u otros daños.

 Leer detenidamente el manual de instrucciones. Es válido generalmente antes de la puesta en funcionamiento y de cualquier trabajo de mantenimiento, montaje y limpieza.



Usar el vestuario especificado. → Cap. 3.3, página 8



Usar calzado de seguridad con suela antideslizante.



Usar guantes de protección.
Se aplica a todos los trabajos en el dispositivo motorizado o con el mismo.



Antes de arrancar el motor, ponerse el casco de seguridad, protección auditiva, protección facial y gafas de seguridad.



¡Parar el motor!



¡Está prohibido fumar en las proximidades del dispositivo motorizado y en el lugar de repostaje!



Mantener el dispositivo motorizado y el depósito de llenado de combustible lejos de las llamas.

Atención: ¡Peligro de intoxicación!



- El dispositivo motorizado produce emisiones.
- El vapor de la gasolina es tóxico.
- Producción de emisiones de polvo peligrosas durante el trabajo.



Atención: ¡Rebote (Kickback)!
¡Es imprescindible tener en cuenta las indicaciones en el cap. 7.2 a partir de la página 28!



Atención: Fuego causado por las chispas.



Usar equipo de protección respiratoria.



No utilice hojas de sierra circular.



Nunca trabaje con las hojas dañadas.



Utilice solo hojas de sierra, aprobadas para una velocidad de $\geq 4.550 \text{ min}^{-1}$ [4.550 RPM].



Botón giratorio para vaciado intermedio del filtro de aire. → Cap. 8.4, página 33



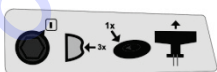
iLube® = Intelligent Lubrication
(lubricación inteligente, sólo en los modelos CP512-300i y CP514-350i)



Depósito de combustible → Cap. 5.5, página 19



iLube® = Intelligent Lubrication (tapa verde, sólo en los modelos CP512-300i y CP514-350i)
→ Cap. 5.5, página 19



Indicaciones de inicio → Cap. 6, página 25

3 Instrucciones de seguridad

3.1 Utilización para los fines previstos



Este dispositivo debe ser utilizado solamente para corte de metales (sección caliente) y materias minerales, tales como hormigón (corte en frío). Utilice solamente las cuchillas aprobadas para este material indicado en la página 27, especificada en el capítulo 7, sobre situaciones de trabajo.

Para usuarios especialmente capacitados en operaciones de rescate, también se ofrecerán otros discos de corte aprobados, con los que se pueden cortar diversos materiales compuestos. Estas aplicaciones especiales solo deben llevarse a cabo por usuarios especialmente capacitados.

Este dispositivo motorizado solo debe utilizarse al aire libre.

Está prohibido el uso de este dispositivo motorizado para otros fines, tales como cortar madera y eliminar molienda de un material con la superficie lateral de la cuchilla.

En el dispositivo motorizado no deben instalarse herramientas de corte no autorizadas, tales como hojas de sierra o cuchillas.

3.2 Indicaciones generales de seguridad



Antes de usar el dispositivo por primera vez, lea cuidadosamente estas instrucciones de funcionamiento y conserve el manual en un lugar seguro y accesible. Tiene que estar siempre disponible en el lugar de actuación del aparato motorizado y debe ser leído por todas las personas que estén encargadas de trabajar con el aparato y alrededor del mismo (también para tareas de mantenimiento, conservación y reparación).

Utilice este dispositivo motorizado con precaución. El uso irresponsable e inadecuado del dispositivo motorizado puede dar origen a lesiones graves o mortales. Los riesgos asociados al uso del dispositivo se deben, en particular, a la alta velocidad del disco de corte y las grandes fuerzas y pares de torsión que puede movilizar el mismo.

Trabajar con el dispositivo motorizado siempre con el máximo cuidado y atención a todos los posibles peligros y riesgos que puedan ocurrir. Antes de comenzar el trabajo, debe llevarse a cabo una minuciosa evaluación del riesgo. No realice nunca un procedimiento de trabajo para el que no haya sido formado. Si tras leer estas instrucciones de uso tiene preguntas, su distribuidor estará encantado de atender cualquier consulta que tenga.

El sistema de encendido de este dispositivo motorizado genera, durante el funcionamiento, un campo electromagnético. Este campo puede, en determinadas circunstancias, interferir en el funcionamiento de los marcapasos. Las personas con marcapasos deben consultar a su médico y el fabricante del marcapasos antes de utilizar este dispositivo motorizado.

Información general sobre vibraciones: Los siguientes síntomas pueden producirse por condicionamiento personal especial por vibraciones frecuentes en los dedos, manos o muñecas: Adormecimiento de partes del cuerpo, cosquilleos, dolor, pinchazos, cambios en el color de la piel o en la misma piel. Si aparecen estos síntomas, consulte a un médico.

Puede ser potencialmente mortal hacer caso omiso a las instrucciones de seguridad.

Siga todas las normas ANSI y OSHA.

- En caso de un posible accidente, debe haber siempre un botiquín de primeros auxilios en el lugar de trabajo. Reponga inmediatamente el material empleado.
- ¡Peligro de fuego causado por las chispas! Cuando se trabaja cerca de objetos inflamables y vegetación debe proporcionarse un extintor de incendios.
- Si esta es la primera vez que utiliza este tipo de dispositivo, solicite a un especialista que le aclare y enseñe cómo funciona de manera segura. Para asegurar el funcionamiento seguro del dispositivo motorizado, la entidad explotadora es responsable de asegurar que las personas que trabajan para ella sean usuarios capacitados de dispositivos motorizados manuales y portátiles, operados a gasolina y que están capacitadas para trabajar con este tipo de dispositivo.

- Los niños y adolescentes menores de 18 años no podrán trabajar con este dispositivo motorizado.
- El dispositivo debe ser operado por una persona incluso cuando se inicia. Mantenga alejadas del área de trabajo a personas y animales. Detenga inmediatamente la máquina y la herramienta de corte si se acerca una persona o un animal. El usuario es responsable de las lesiones personales y daños a la propiedad causados por él.
- Este dispositivo motorizado solo debe ser utilizado por personas que estén familiarizadas con este tipo de máquinas, su funcionamiento y las instrucciones de uso. Nunca preste este dispositivo a personal no cualificado. Entrégueles también el presente manual.
- Trabaje con este dispositivo motorizado solamente si está en buena forma, descansado y goza de buena salud.
- No está permitido el uso de este dispositivo motorizado, bajo la influencia del alcohol, drogas o medicamentos que puedan afectar la capacidad de reaccionar.
- No utilice el dispositivo motorizado si está cansado o agotado. El cansancio y la fatiga pueden afectar la capacidad de respuesta. Si al utilizar el dispositivo motorizado se siente cansado o agotado, haga una pausa. El trabajo con el dispositivo motorizado puede ser agotador. Si usted tiene una condición de salud que pueda verse agravada por la fatiga, consulte a su médico antes de empezar a trabajar con el dispositivo motorizado.
- Si se procesan materiales que pudieran incluir amianto u otras sustancias tóxicas, es necesario informar a la autoridad competente. El trabajo debe llevarse a cabo solo después de la aprobación y solo bajo supervisión y con las medidas de seguridad necesarias. El amianto, material que contiene asbesto, y cualquier otra sustancia clasificada como material peligroso no se puede cortar o rasar con el dispositivo motorizado.
- ¡Asegúrese que en el área que se va a cortar no hay peligros ocultos, tales como cables eléctricos, tuberías de agua o gas, o sustancias inflamables!
- Para el corte de pilares de hormigón pretensado y armado, deben observarse todas las instrucciones y normas establecidas por las autoridades respectivas o fabricantes del componente. El corte del acero de refuerzo debe hacerse en el orden correcto y teniendo en cuenta las normas de seguridad pertinentes.
- No modifique el equipo de seguridad y elementos de mando.
- ¡Peligro de accidente! ¡El dispositivo motorizado puede ser utilizado solo en condiciones seguras de funcionamiento! Debe comprobarse el dispositivo motorizado antes de cada uso.
- Utilice solamente accesorios y componentes que están provistos y aprobados por el fabricante específicamente para el uso en este dispositivo motorizado. Para este dispositivo motorizado solo pueden utilizarse discos de corte aprobados.
- El funcionamiento fiable y la seguridad del dispositivo motorizado también dependerá de la calidad de las piezas de repuesto. Usar solo piezas de recambio originales. Las piezas originales son las únicas que tienen la misma procedencia que el equipo, por lo que garantizan una calidad máxima en lo que al material, dimensiones, funcionalidad y seguridad se refiere. Las piezas de repuesto y los accesorios originales se encuentran disponibles de mano de su distribuidor autorizado. Este cuenta también con las listas de piezas que se necesitan para averiguar los números de referencia, y está permanentemente informado sobre cualquier mejora y otras novedades relacionadas con las piezas de repuesto. Téngase también en cuenta que si se han utilizado piezas que no son originales, no se podrá reclamar en concepto de garantía.
- Si el dispositivo motorizado no se utiliza, debe desconectarse de manera segura para que nadie esté en peligro. Debe apagarse el motor. ¡No dejar nunca que el dispositivo motorizado funcione sin vigilancia! Si alguien no respeta las indicaciones de seguridad, el manejo o el mantenimiento, tendrá que responder los daños y perjuicios, incluso los secuenciales, que de ello resulten.

3.3 Ropa de trabajo obligatoria / Equipo de protección personal



Para evitar lesiones, debe usarse ropa adecuada y equipo de protección.



La vestimenta tendrá que ser práctica o ceñida (p. ej. overol de trabajo), y también cómoda.

Para la realización de cualquier trabajo, usar overol de material sólido con suficiente resistencia al fuego, que no se encienda por chispas (materiales hechos de cuero, tratamiento ignífugo de algodón o lino pesado, muy unida).

Revise los datos de la ropa y asegúrese de que no haya materiales fácilmente inflamables y materiales de bajo punto de fusión como el poliéster o nylon en la ropa. La ropa de trabajo no debe estar contaminada con sustancias inflamables, como gasolina o similares.

No use pañuelos, corbatas, joyas o ropa de otro tipo que puedan quedar atrapados en la hoja, a los objetos en el entorno o en el dispositivo motorizado. Atar el pelo largo y recogerlo bajo el casco.



Use un casco de seguridad para realizar todos los trabajos.

Utilice una protección auditiva personal.

Es obligatorio el uso de protección para el rostro y los ojos según ANSI Z 87.1.



Use botas gruesas de seguridad con puntera de acero y suela antideslizante.

Use un delantal protector.



Use guantes de protección con superficie antideslizante de agarre.



Si el suministro de agua del dispositivo motorizado no está en uso, las personas que se encuentran cerca del dispositivo y el usuario deben usar siempre un equipo de protección respiratoria aprobada por NIOSH/MSHA para protección contra el polvo fino, polvo, vapores y humo del material a cortar.

3.4 Repostar combustible



La gasolina es altamente inflamable. Mantener alejado del fuego o derrame de combustible. ¡No fume en el lugar trabajo y en el sitio de repostaje de combustible!

- Antes del repostaje de combustible parar el motor.
- ¡Peligro de incendio! ¡Cuando el motor está caliente, no se puede repostar!
- Abra la tapa de llenado siempre con cuidado para permitir que cualquier exceso de presión se libere lentamente y no salga combustible.
- Use ropa protectora y protección de ojos y cara para evitar el contacto de los ojos y de la piel con los productos derivados del petróleo. En caso de contacto con los ojos, enjuáguelos inmediatamente con abundante agua limpia. ¡Si la irritación persiste, llame a un médico!
- Cambie con frecuencia la ropa de protección y lávela.
- No inhalar los vapores de combustible.
- Llene el depósito en una zona bien ventilada.
- Asegúrese de que no cae combustible o aceite en el suelo (protección del medio ambiente). Utilice una base protectora impermeable adecuada cuando reposte.
- Si se derrama combustible, el motor debe ser limpiado inmediatamente. Quitarse inmediatamente la ropa y zapatos contaminados y ponerse ropa protectora limpia.
- Las tapas del tanque están siempre firmemente cerradas con la mano sin necesidad de herramientas. Las tapas del tanque están equipadas con una protección anti-rotación y deben girarse hasta el "salto" distinto. Los tapones de llenado no deben aflojarse debido a la vibración del motor.
- ¡Peligro de quemaduras! Asegúrese de que no haya fugas. No inicie ni opere el dispositivo si sale combustible.
- El combustible y aceite deben almacenarse en recipientes adecuados y etiquetados correctamente.

3.5 Durante el transporte



- Antes de usar el dispositivo motorizado (incluso en distancias cortas de un lugar de trabajo a otro) apague siempre el motor y espere a que el disco de corte se detenga. Transportar el dispositivo motorizado por el mango y el disco de corte apuntando hacia atrás.
- ¡Peligro de quemaduras! No tocar el silenciador caliente.
- Nunca transporte el dispositivo motorizado con el disco de corte en movimiento.
- Con el fin de evitar fugas de combustible y aceite, así como evitar daños, el dispositivo motorizado debe estar protegido contra el vuelco durante el transporte en vehículos. Los depósitos de combustible y aceite deben ser verificados respecto a estanqueidad.
Recomendación: Vaciar el depósito antes del transporte.
- Los tanques son vaciados antes de ser enviados.
- La tronzadora debe ser desmontada antes del envío.

Recomendación: Guarde el embalaje original como protección contra daños de transporte o para el caso que deba ser enviado o transportado.

3.6 Durante el montaje, la limpieza, el mantenimiento y la reparación



- El dispositivo motorizado no puede ser instalado, mantenido, reparado o almacenado cerca del fuego.
- Antes de la instalación, limpieza, mantenimiento y reparación debe detenerse siempre el motor, el interruptor giratorio debe estar ajustado a "0" y el disco de corte debe estar parado.
Solo el ajuste de la velocidad de ralentí se lleva a cabo con el motor en marcha.
- Use guantes durante todo el trabajo.
- El mantenimiento del dispositivo motorizado debe realizarse con frecuencia. Realice usted mismo los trabajos de mantenimiento y reparación que estén descritos en este manual de instrucciones. Todos los demás trabajos deben ser realizados por un taller especializado autorizado por el fabricante.
- ¡Peligro de quemaduras! No toque el silenciador mientras esté caliente – ni siquiera para el mantenimiento y la inspección de estanqueidad.
- Para todas las reparaciones, utilice solamente piezas de repuesto originales.
- ¡Peligro de accidentes y lesiones! ¡El dispositivo motorizado no puede ser modificado, ya que de esta forma la seguridad se ve comprometida!

3.7 Antes del arranque



Antes de cada arranque compruebe que el dispositivo motorizado es seguro para la operación. Además de las instrucciones de operación y mantenimiento (→ cap. 8, página 31) deben verificarse los siguientes puntos:

- El interruptor de parada giratorio y el interruptor de parada debe ser de fácil manejo.
- El acelerador debe de ser de fácil manejo y volver automáticamente a la posición de ralentí. Sin presionar (desbloquear) el bloqueo del acelerador no es posible operar la palanca del acelerador (el acelerador está bloqueado).
- El disco de corte debe estar firmemente pegado en el eje.
- ¡Peligro de incendio! El cable y el enchufe de ignición deben de estar firmemente conectados. ¡Una conexión suelta puede generar chispas capaces de inflamar una posible fuga de una mezcla entre combustible y aire!

- En caso de irregularidades, daños visibles, ajustes incorrectos o alteraciones en la función de la herramienta eléctrica no se puede iniciar. En estos casos, el dispositivo motorizado debe de ser revisado por un taller especializado autorizado por el fabricante.

3.8 Al arrancar



- ¡El dispositivo motorizado puede ser utilizado solo cuando esté completo!
- Al arrancar mantenga por lo menos 3 metros [aprox. 10 feet] de distancia desde la ubicación del lugar de repuesto. Nunca arranque el aparato motorizado en espacios cerrados.
- Asegúrese de que el suelo es sólido al arrancar. Arrancar siempre sobre una superficie llana y sujetar el aparato motorizado con seguridad.
- Realice el procedimiento de arranque según se describe en el cap. 6, en la página 25.
- Después del arranque compruebe el ajuste de marcha en vacío. En ralentí tienen que estar los discos de corte parados.

3.9 Durante el trabajo



Además de las precauciones de seguridad siguientes, se aplican también, cuando se trabaja con equipos de seguridad, las siguientes especificaciones:

- ¡Peligro de intoxicación! Una vez que el motor esté en marcha, el dispositivo motorizado genera gases tóxicos que pueden ser invisibles e inodoros. Nunca arranque el aparato motorizado en espacios cerrados. El riesgo específico ocurre también en lugares cerrados, en fosas o trincheras. Usar solo si está absolutamente seguro de que hay suficiente renovación del aire y no hay gases tóxicos que se puedan acumular.
- ¡Aumento del riesgo de incendio! No fume en el lugar de trabajo – ni siquiera en las inmediaciones del dispositivo motorizado
- Asegure el lugar de trabajo contra la intrusión accidental de personas ajenas, por ejemplo con señales de advertencia. Solamente las personas involucradas y que usen equipo de protección y ropa adecuados deben estar presentes a menos de 30 metros [aprox. 30 yards] de todo el área de trabajo.
- Explore los peligros potenciales en el lugar de uso.
 - A causa de las chispas que saltan cuando se corta, nunca debe ser usado en las proximidades de gases explosivos o líquidos y objetos inflamables.
 - En la zona de corte, no debe haber cables eléctricos, tuberías de agua o gas o sustancias inflamables.
 - Los objetos que se puedan caer o volcar durante el trabajo deben ser asegurados o quitados del entorno de trabajo.
 - Preparar el lugar de trabajo, para garantizar un retorno seguro y fácil.
- La pieza a cortar debe estar libre de objetos extraños, tales como tornillos, clavos o piedras.
- Cuando se trabaja en áreas residenciales, tener en cuenta las normas de ruido.

- Trabaje con mucho cuidado, en silencio y no ponga en peligro a otras personas.
 - Asegurar buena visibilidad y condiciones de luz.
 - Nunca estar fuera del alcance del oído de otras personas que puedan proporcionar ayuda en una emergencia.
 - Realizar pausas regularmente.
 - Sea consciente de los riesgos potenciales y tome las precauciones adecuadas. Tener en cuenta que con el uso de protección auditiva, la percepción de los sonidos es limitada. También pueden no escucharse señales sonoras de peligro, llamadas, etc.
 - Esté atento a los peligros de tropiezos y obstáculos. No trabajar nunca sobre superficies inestables.
 - Sujete siempre el motor firmemente con ambas manos y asegúrese de que tiene un punto de apoyo seguro.
 - Nunca use el dispositivo en una escalera.
 - Usar el dispositivo motorizado de modo que no haya partes del cuerpo en la trayectoria ampliada de la cuchilla.
 - Nunca sujete la pieza a cortar con la mano.
 - Ponga la tronadora en funcionamiento en contacto con la pieza a procesar. Nunca tocar el suelo u otros objetos con la tronadora cuando esta esté en funcionamiento.
 - No utilice dispositivo motorizado para tirar o sacar objetos.
- Apague el motor cuando el comportamiento del mismo cambia la unidad de manera significativa.
- ¡Peligro de quemaduras! No toque el silenciador mientras está caliente.
- ¡Peligro de incendio! El silenciador irradia un enorme calor. No depositar el aparato motorizado caliente sobre hierba seca o sobre objetos inflamables.
- ¡Riesgo de daño auditivo y quemaduras!
Nunca trabaje con un silenciador defectuoso o sin silenciador.

3.10 Emisión de polvo



Si es necesario procesar metales o materiales minerales, tales como piedra, ladrillo, hormigón o cerámica, con el dispositivo motorizado se pueden producir partículas finas, polvo, vapores y humo que contienen sustancias nocivas. Estas sustancias pueden causar enfermedades graves e incluso mortales, tales como enfermedades respiratorias, cáncer, daños al sistema reproductivo y genético (malformaciones en la descendencia).

Algunos estados, como California, han creado una lista de sustancias que, es sabido, causan cáncer, daños al sistema reproductivo u otros daños.

- Si el riesgo asociado al uso y composición del dispositivo motorizado o el material a ser procesado no puede ser evaluado, infórmese sobre las sustancias nocivas en las fichas de seguridad específicas del material, pregunte a la entidad explotadora, fabricantes y/o proveedores de materiales, agencias gubernamentales, como por ejemplo OSHA y NIOSH y tenga en cuenta todas las advertencias, precauciones e instrucciones para un uso seguro y eficaz del material a cortar.
- Si es posible, evitar la formación de partículas finas, polvo, vapores y humo mediante una conducta laboral adecuada y las técnicas de trabajo apropiadas y seguir las recomendaciones del fabricante/proveedor, de OSHA/NIOSH y las asociaciones profesionales y técnicas. Si es posible que el corte se procese en mojado, se debe usar agua para controlar el polvo.
- Si el riesgo de inhalación de partículas finas, polvo, vapores y humo no se puede evitar a través de medidas técnicas, tales como el uso de la conexión hidráulica del dispositivo motorizado o una extracción adecuada, todas las personas que se encuentren cerca del dispositivo y el usuario de la herramienta eléctrica para proteger, deben utilizar un equipo de protección respiratoria contra el polvo aprobado por NIOSH/MSHA para protección contra el polvo fino, el polvo, los vapores y el humo del material a cortar.

Cuando se realizan trabajos de albañilería, hormigón o de otro tipo de materiales que contengan cuarzo, puede surgir polvo fino, humo o vaho que contiene sílice cristalina. La sílice es uno de los principales constituyentes de la arena, ladrillo, granito y muchos otros materiales minerales y piedras. La inhalación de sílice puede causar enfermedades respiratorias graves o mortales, incluida la silicosis. Además, California y otros estados han declarado la sílice cristalina como una sustancia que, es sabido, causa cáncer en caso de inhalación.

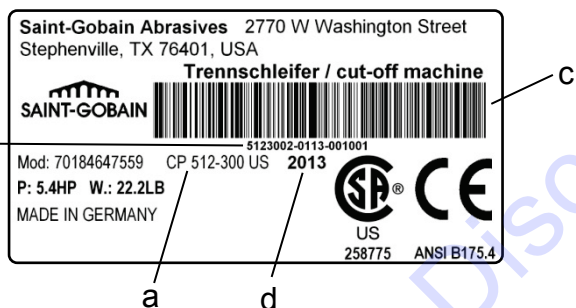
- Al cortar tales materiales, use siempre la protección respiratoria antes mencionada.

4 Descripción del dispositivo motorizado

4.1 Artículos incluidos en la entrega

- Aparato base
- Disco de corte
- Disco adaptador de eje para discos de corte con perforación interior de 1"
- Herramienta: Llave universal (llave de bujías con destornillador), perno de bloqueo y destornillador adicional
- Este manual de instrucciones

4.2 Placa de modelo



- a: Designación de tipo
- b: Número de serie
- c: Código de barras
- d: Año de construcción

4.3 Datos técnicos

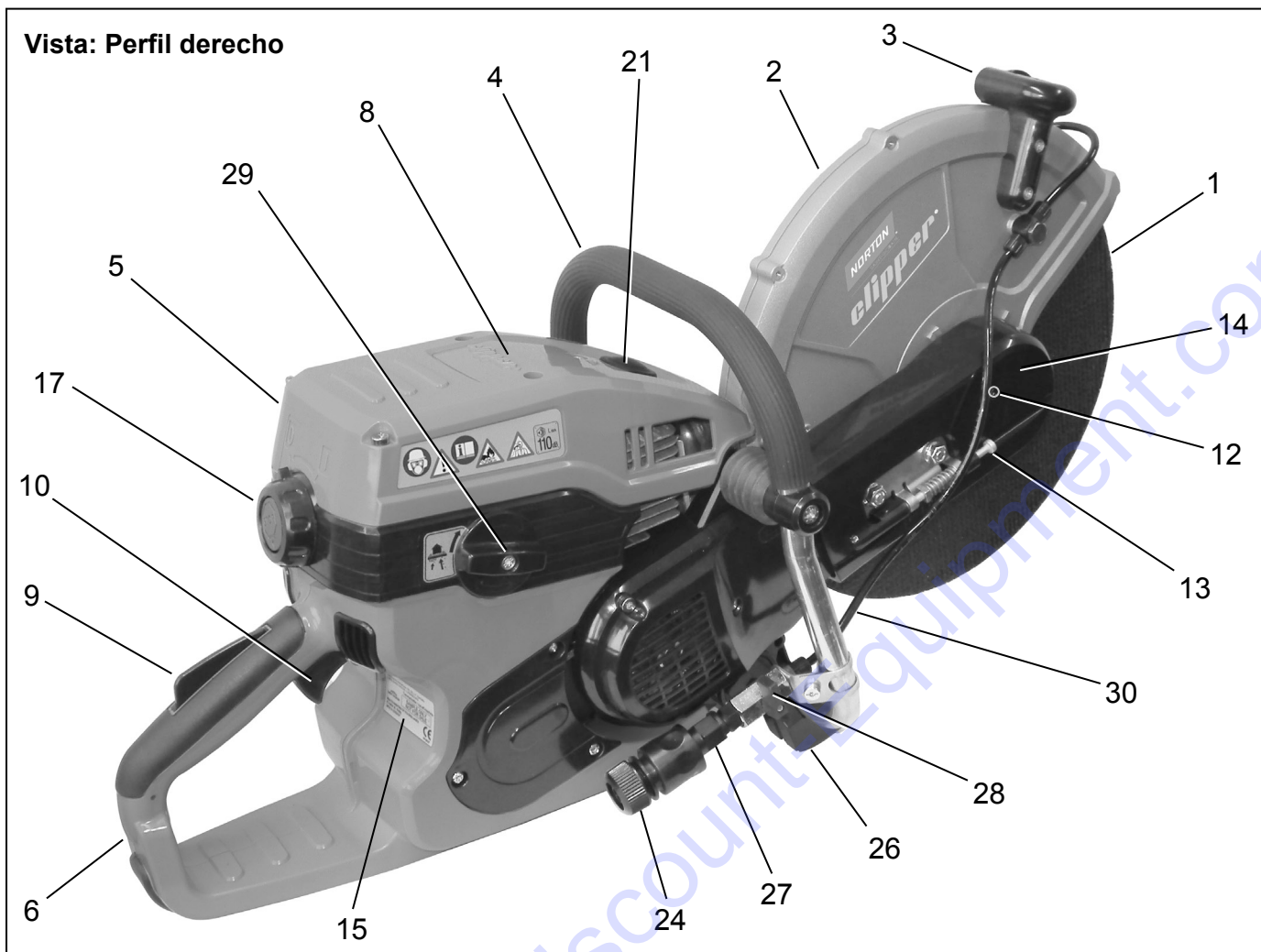
Modelo	CP512-300	CP512-300i	CP512-350	CP512-350i
Tipo de motor	Motor de dos tiempos, enjuague de cuatro canales			
Cilindrada	81 cm ³ [4,94 cu.in]			
Orificio Ø / recorrido	52 mm / 38 mm [2,0" / 1,5"]			
Potencia máx. a una revolución de	4,0 kW / 9.300 ¹ / _{min} [5,36 HP / 9.300 RPM]			
Par de giro máx. a una revolución de	4,8 Nm / 7.000 ¹ / _{min} [3,54 ft·lbf / 7.000 RPM]			
Nº máx. de revoluciones permitido	(9.500 ±200) ¹ / _{min} [(9.500 ±200) RPM] (sin carga con disco de corte)			
Nº revoluciones en vacío	(2.600 ±200) ¹ / _{min} [(2.600 ±200) RPM]			
Velocidad de enganche del embrague	(4.000 ±200) ¹ / _{min} [(4.000 ±200) RPM]			
Capacidad del depósito de combustible	0,9 l [30 oz]			
Capacidad del depósito de aceite	---	0,32 l [10,8 oz]	---	0,32 l [10,8 oz]
Proporción de consumo de la mezcla de combustible gasolina:aceite	50:1	---	50:1	---
Lubricación automática controlada electrónicamente	---	✓	---	✓
Consumo a máxima potencia (ISO 7293)	1,75 kg/h [3,86 lbs/h]			
Consumo específico a máxima potencia (ISO 7293)	460 g/kWh [0,76 lbs/HP·h]			
Carburador con primer	Posición independiente con iniciador, controlado electrónicamente			
Filtro de aire	Papel			
Encendido	Encendido magnético controlado electrónicamente, sin desgaste			
Disco de corte:	Diámetro		Diámetro	
	12" [305 mm]		14" [356 mm]	
	Diámetro de la perforación		Diámetro de la perforación	
	20 mm o 1"		20 mm o 1"	
	Par de apriete del tornillo de fijación		Par de apriete del tornillo de fijación	
	(30 ±2) Nm		(30 ±2) Nm	
	[22,1 ±1,48 ft·lbf]		[22,1 ±1,48 ft·lbf]	
Diámetro mínimo externo de la brida	100 mm [3,9"]		100 mm [3,9"]	
Diámetro del husillo	20 [0,787"]		20 [0,787"]	
Máxima velocidad del cabezal	4.550 ¹ / _{min} [4.550 RPM]		4.550 ¹ / _{min} [4.550 RPM]	
Profundidad de corte, máx.	100 mm [3,9"]		125 mm [4,9"]	
Dimensiones: Alto / Ancho / Largo	430 mm / 267 mm / 750 mm [16,9" / 10,5" / 29,5"]		430 mm / 267 mm / 750 mm [16,9" / 10,5" / 30,5"]	
Peso sin contenido de depósito, o sin disco de cortar	10,1 mm [22,3 lbs]	10,4 mm [22,9 lbs]	10,2 mm [22,5 lbs]	10,5 mm [23,1 lbs]
Nivel de decibelios ^{1,2} L _{Peq} (EN ISO 19432 Anexo B)	98 dB(A)			
Nivel de decibelios ^{1,2} L _{Weq} (EN ISO 19432 Anexo B)	108 dB(A)			
Aceleración de oscilación ^{1,3} a _{hv,eq} (EN ISO 19432 Anexo C) Manillar derecho / Manillar izquierdo	4,5 m/s ² / 6,0 m/s ² [177 "/s ² / 236 "/s ²]			

¹ Para la determinación de los siguientes valores listados arriba referentes a la aceleración de oscilación y al sonido, se tuvieron en cuenta a partes iguales, el ralentí, la carga plena y la revolución máxima nominal, según las prescripciones legales

² Incertidumbre K según Directiva CE 2006/42/CE: 2,5 dB(A)

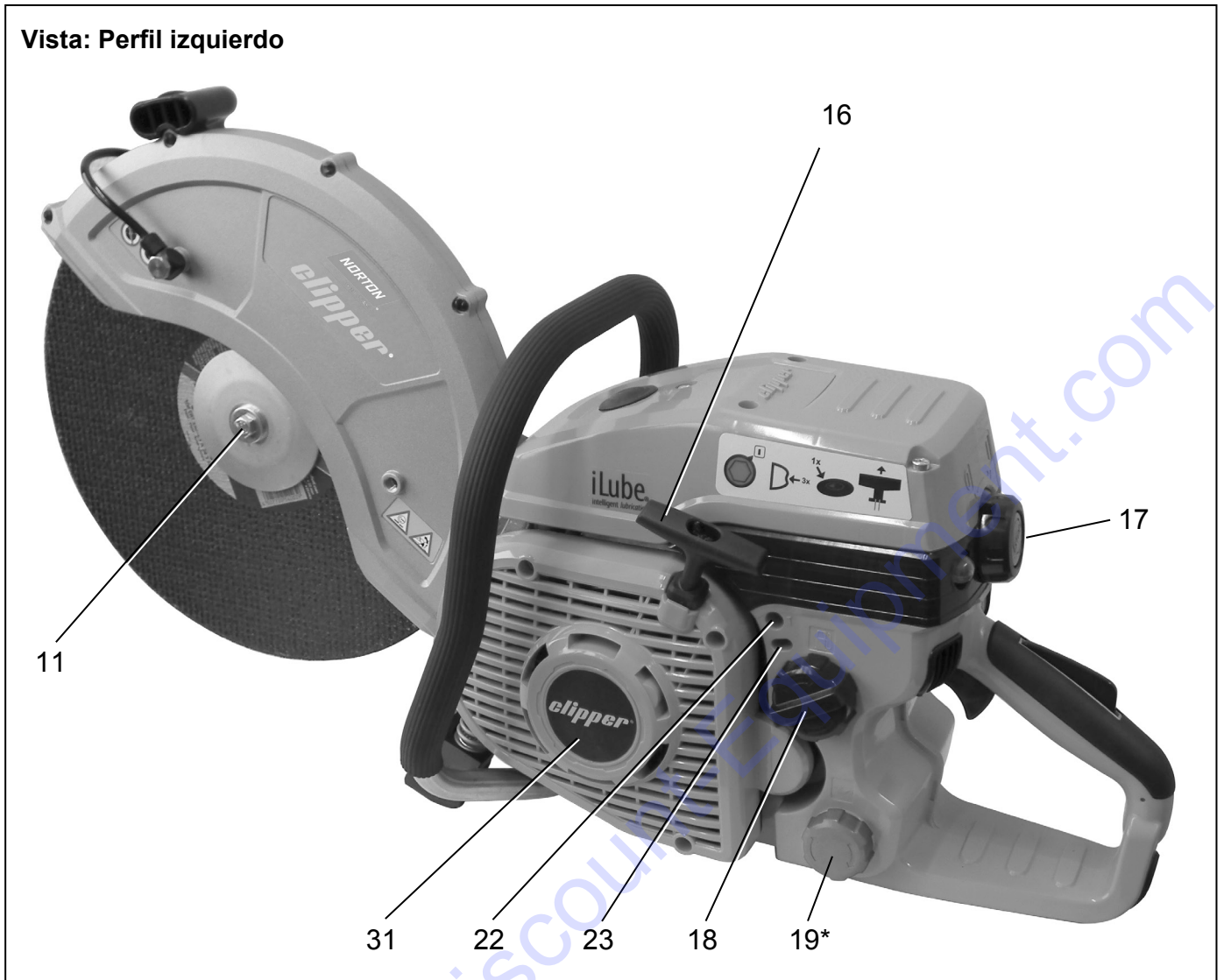
³ Incertidumbre K según Directiva CE 2006/42/CE: 2 m/s² [78,7 "/s²]

4.4 Vistas de dispositivos y piezas importantes de mando y de función



1. Disco de corte	16. Tirador
2. Tapa de protección	17. Interruptor giratorio de parada / Interruptor de parada One-Touch
3. Mango de ajuste de la tapa protectora	18. Tapa del tanque de combustible
4. Mango	19*. Tapa del tanque de aceite, verde (sólo a CP512-300i y CP514-350i)
5. Tapa	20. Primer
6. Mango manual trasero	21. Válvula de descompresión
7. Aberturas de aspiración twin pipe	22. Tornillo en "T" ralentí
8. Tapa de las bujías de ignición	23. Tornillos de ajuste del carburador "L" y "H" (sólo para talleres)
9. Bloqueo de la palanca aceleradora	24. Línea de acoplamiento de agua (corte húmedo)
10. Palanca de acelerador	25. Silenciador
11. Tornillo de fijación del disco de corte	26. Soporte
12. Abertura de bloqueo del disco de corte	27. Pieza de acoplamiento del filtro de la tubería de alimentación de agua
13. Tornillo de tensión de la correa	28. Palanca de válvula para la alimentación de agua
14. Tapa de la correa	29. Botón giratorio de vibración
15. Placa de modelo	30. La línea de suministro de agua (corte húmedo)
* depende del modelo	31. Carcasa del encendido y ventilador con aberturas de refrigeración

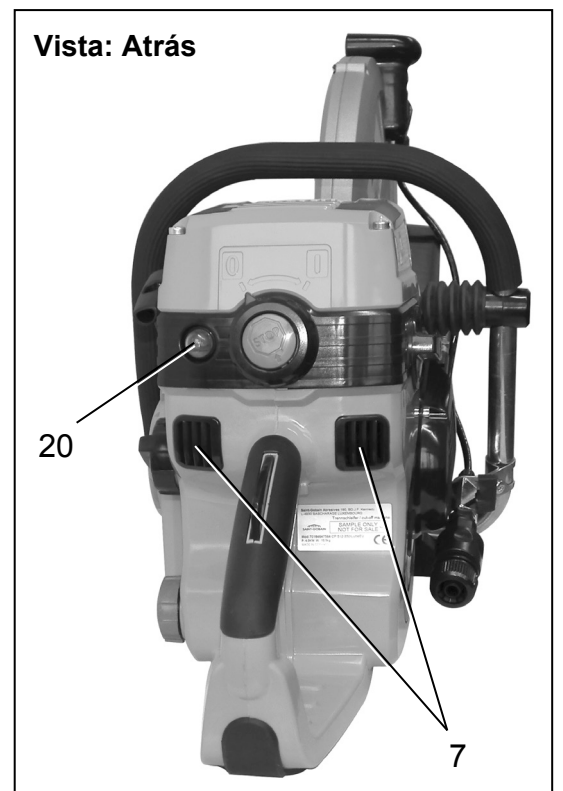
Vista: Perfil izquierdo



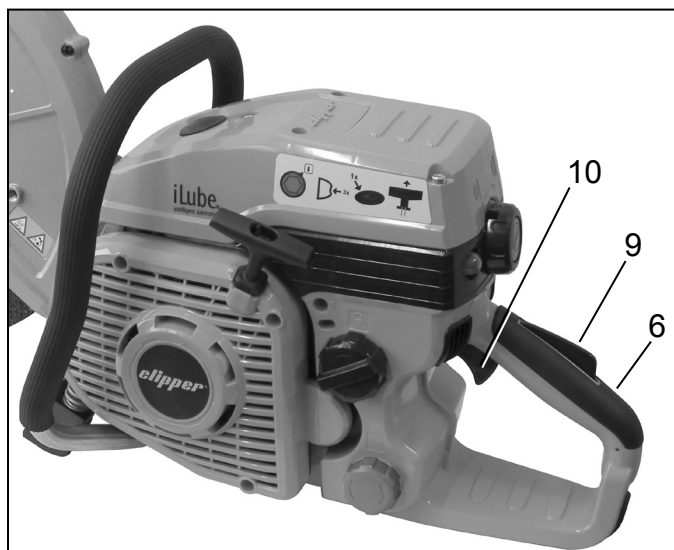
Vista: Adelante a la izquierda



Vista: Atrás



4.5 Palanca aceleradora y bloqueo de la palanca aceleradora



Liberación de la palanca del acelerador (10)

- Sujetar el mango trasero (6) con la mano derecha. En este caso, el bloqueo del acelerador (9) se presiona con la palma de la mano.
→ Se libera la palanca de acelerador (10).

4.6 Piezas funcionales para el arranque

Tirador (16) y cuerda de arranque → Cap. 6.3, página 26

Primer (20)



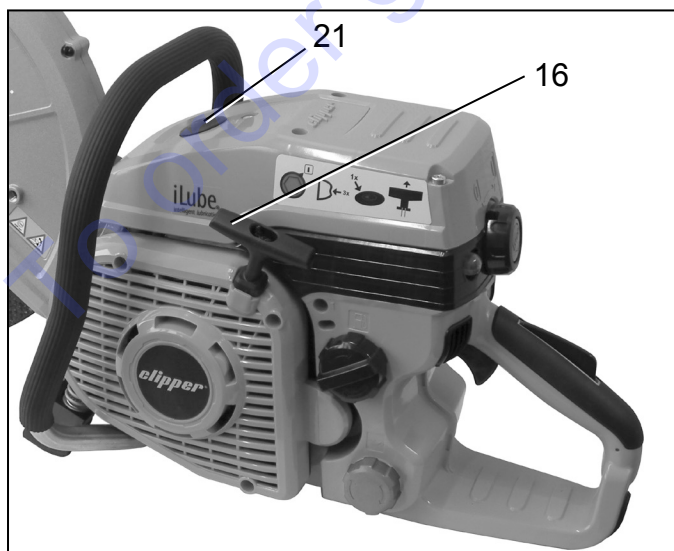
Cuando se entrega, después de un período de descanso más largo y cuando el tanque ha sido completamente "vaciado", aún no hay combustible en el carburador hasta repostar.

Procedimiento de arranque: → Cap. 6.1, página 25

Con el fin de facilitar el proceso de arranque, el combustible puede ser bombeado en el carburador. Presione el primer (20) las veces que haga falta hasta que el combustible sea visible.

El exceso de combustible se devuelve automáticamente del primer al tanque.

Válvula de descompresión (21)



Cuando se acciona la válvula de descompresión (21) en la cámara de combustión del motor se alcanza una compresión más baja. Esto significa que el motor, cuando se inicia, encuentra una resistencia opuesta más pequeña por lo que el arranque se facilita considerablemente.

Procedimiento de arranque: → Cap. 6.1, página 25

La válvula de descompresión se cierra automáticamente cuando el motor está funcionando.

Si en el proceso de arranque es necesario por segunda vez extraer la empuñadura de arranque (16) porque el motor no se ha iniciado (por ejemplo, durante el arranque en frío), la descompresión no debe pulsar de nuevo.

TO PURCHASE THIS PRODUCT PLEASE CONTACT US



**Equipment Financing and
Extended Warranties Available**



**Discount-Equipment.com is your online resource for
commercial and industrial quality parts and equipment sales.**

561-964-4949

visit us on line @ www.discount-equipment.com

Select an option below to find your Equipment

Search by Manufacturer

Search by Product Type

Request a Quote

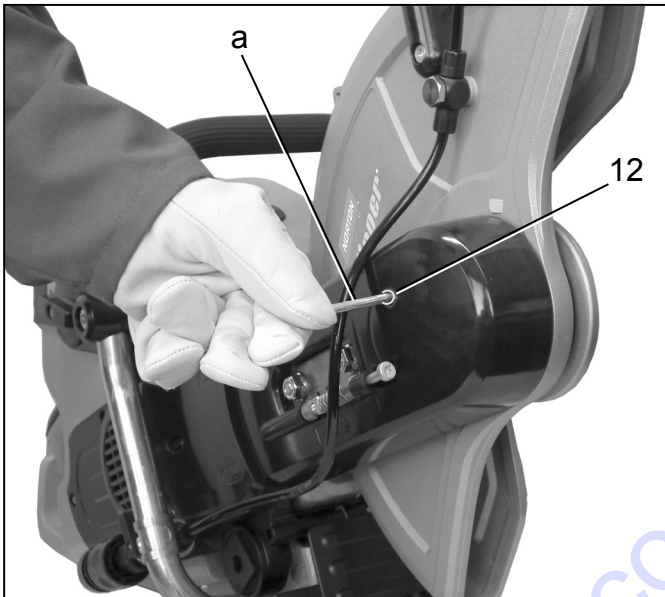
We sell worldwide for the brands: Genie, Terex, JLG, MultiQuip, Mikasa, Essick, Whiteman, Mayco, Toro Stone, Diamond Products, Generac Magnum, Airman, Haulotte, Barreto, Power Blanket, Nifty Lift, Atlas Copco, Chicago Pneumatic, Allmand, Miller Curber, Skyjack, Lull, Skytrak, Tsurumi, Husquvarna Target, Stow, Wacker, Sakai, Mi-T-M, Sullair, Basic, Dynapac, MBW, Weber, Bartell, Bennar Newman, Haulotte, Ditch Runner, Menegotti, Morrison, Contec, Buddy, Crown, Edco, Wyco, Bomag, Laymor, EZ Trench, Bil-Jax, F.S. Curtis, Gehl Pavers, Heli, Honda, ICS/PowerGrit, IHI, Partner, Imer, Clipper, MMD, Koshin, Rice, CH&E, General Equipment, Amida, Coleman, NAC, Gradall, Square Shooter, Kent, Stanley, Tamco, Toku, Hatz, Kohler, Robin, Wisconsin, Northrock, Oztec, Toker TK, Rol-Air, APT, Wylie, Ingersoll Rand / Doosan, Innovatech, Con X, Ammann, Mecalac, Makinex, Smith Surface Prep, Small Line, Wanco, Yanmar

5 Preparación para el trabajo

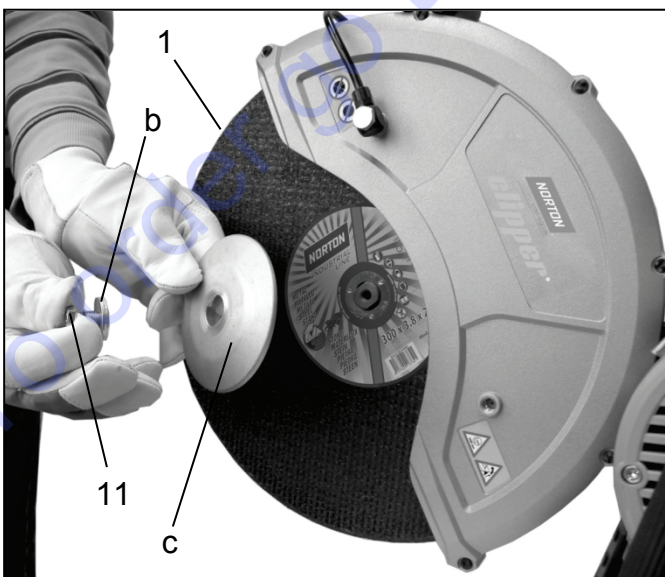


5.1 Montar los discos de corte

! ¡Los discos de corte utilizados deben cumplir los requisitos del cap. 7.1 en la página 28! El husillo del dispositivo motorizado está diseñado para discos de corte con un diámetro interno de 20 mm. Los discos de corte con agujeros internos de 1" solo pueden ser montados junto con la arandela adaptador de eje. Montaje de discos de corte con perforación interior de 1": → Cap. 5.2, página 18
Con el uso de disco de corte con un orificio interno de 20 mm sin placa de cabezal adaptador adicional.




- Para montar el disco de corte, la unidad de motor debe estar segura en el suelo. Sujetar firmemente la unidad de motor con la mano izquierda en el mango y presione firmemente en el suelo. → Cap. 5.4
- Introducir pasador de seguridad (a) plenamente en las hojas de apertura de bloqueo (12) para bloquear la inserción del husillo. Afloje el tornillo de fijación de los discos de corte (11). Retirar la arandela (b) y la arandela de presión (c).

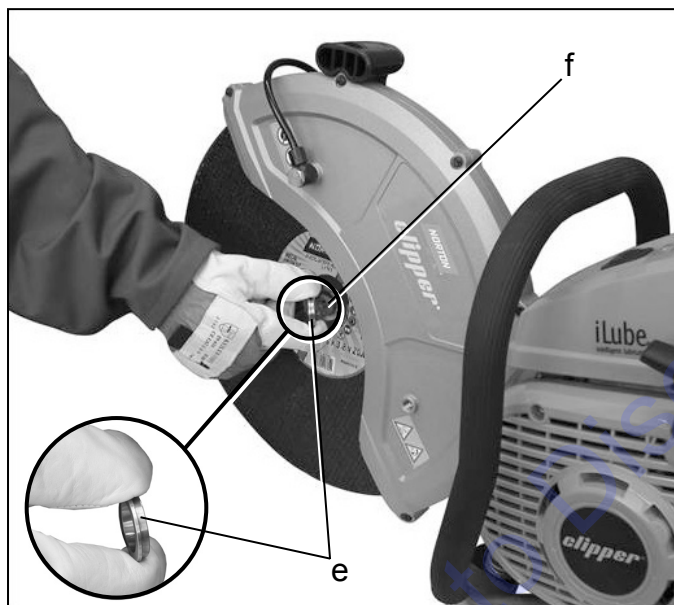


El sentido de giro de la cuchilla siempre se ejecuta como se indica por la flecha arriba – independientemente si el dispositivo de separación en la posición intermedia o exterior está montado.

- Colocar el disco de corte (1) en el husillo. En el caso de discos de corte con una dirección preestablecida (flecha en el disco de corte) debe tenerse en cuenta la orientación correcta del disco de corte (dirección de giro del disco de corte, ver arriba).
- Colocar la arandela de presión (c) de manera que el lado curvado quede hacia fuera, es decir, lejos de la hoja.
- Colocar la arandela de seguridad (b) y girar los discos de corte y los pernos de montaje (11).
- Introducir el pasador de seguridad (a) completamente en el agujero (12) y apretar completamente el tornillo de fijación (11) (30 Nm [22,1 ft·lbf]).
Sujetar firmemente la unidad de motor con una mano en el mango y presionar firmemente en el suelo.
- Retire el pasador de bloqueo (a).

5.2 Montar los discos de corte con perforaciones interiores de 1"

-  El husillo del dispositivo motorizado está diseñado para discos de corte con un diámetro interno de 20 mm. Para el montaje correcto de los discos de corte con perforación interior de 1" la placa de adaptador de husillo que se incluye con la unidad de motor.
La placa de adaptador de eje garantiza un asiento adecuado del disco de corte de 1" en el eje.



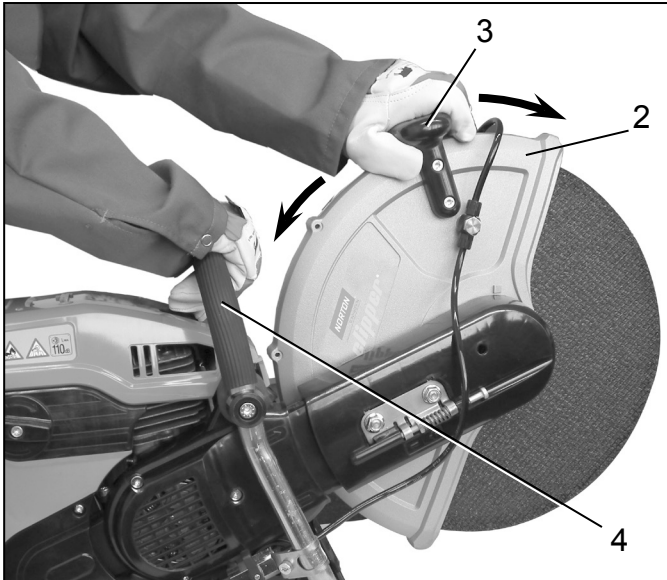
- El montaje de los discos de corte con un agujero interior de 1" es análogo al cap. 5.1 que comienza en la página 17.
- Después de colocar la cuchilla en el eje, debe colocarse, adicionalmente, el disco adaptador del eje (e) sobre el eje (f).
- Colocar el disco del eje adaptador (e) fijado así en el vástago de manera que encaje entre el eje y diámetro interior del disco de corte.
La superficie de apoyo de la placa adaptadora del cabezal debe ser instalada hacia afuera, es decir, lejos de la hoja. La orientación correcta de la placa adaptadora de husillo es absolutamente necesaria para que la superficie plana interior de la placa de presión está conectada directamente a la hoja. Solo de esta forma se garantiza una fijación segura de la cuchilla.
- La colocación de la placa de presión y todos los pasos posteriores son análogos al cap. 5.1.

5.3 Desmontar el disco de corte

- Para montar el disco de corte, la unidad de motor debe de estar segura en el suelo. Sujetar firmemente la unidad de motor con la mano izquierda en el mango y presione firmemente en el suelo.
→ Cap. 5.4, página 19
- Introducir el pasador de seguridad (a) plenamente en las hojas de apertura de bloqueo (12) para bloquear la inserción del husillo. Afloje el tornillo de fijación de los discos de corte (11). Retirar la arandela (b) y la arandela de presión (c) (véase también el cap. 5.1).
- Retire el disco de corte del husillo. En el caso de discos con un taladro interior de 1", la placa de adaptación de cabezal tiene que ser retirada del husillo.
- Volver a colocar la arandela de presión (c) en el husillo, de manera que el lado curvado esté hacia afuera.
- Colocar la arandela de seguridad (b) y volver a girar los discos de corte y los pernos de montaje (11).
→ Cap. 5.1

- Introducir el pasador de seguridad (a) completamente en el agujero (12) y apretar completamente el tornillo de fijación (11) fija (30 Nm [22,1 ft·lbf]).
Sujetar firmemente la unidad de motor con una mano en el mango y presione firmemente en el suelo.
- Retire el pasador de bloqueo (a).

5.4 Ajustar la tapa protectora



La tapa protectora (2) puede oscilar en una zona limitada hacia adelante o hacia atrás del pivote.

Para ajustar el disco de corte, la unidad de motor debe de estar segura en el suelo. Sujetar firmemente la unidad de motor con la mano izquierda en el mango (4) y presione firmemente en el suelo. Gire con la mano derecha en el mango de ajuste de la tapa protectora (3).

Para mantener las chispas y partículas producidas al cortar tan lejos del usuario como sea posible, la protección debe estar siempre pivotada hacia adelante tanto como lo permita la situación de trabajo.



Si el separador está montado en la posición exterior se debe tener cuidado cuando se mueve la cubierta de protección para que la línea de suministro de agua no esté atrapada y el contacto de disco de corte y la línea de suministro de agua está excluido durante el funcionamiento.

5.5 Repostar combustible



¡Peligro para la salud!

Evitar el contacto directo con la piel y la inhalación de vapores de la gasolina.

El alto rendimiento del motor de dos tiempos de este dispositivo requiere, en la cámara de combustión, una mezcla de gasolina-aceite (gasolina y aceite = mezcla de combustible).

Modelo CP512-300 y CP514-350



Los modelos CP512-300 y CP514-350 están equipados con un depósito de combustible (18).



Depósito de combustible para mezcla de combustibles según la tabla de mezclas de abajo.



¡Combustibles no adecuados o las desviaciones en la proporción de mezcla pueden dar lugar a daños en el motor!

La mezcla de combustible se forma con los siguientes componentes:

- Gasolina "midgrade" sin plomo o gasolina súper sin plomo (octanos PON ≥ 89 $(R+M)/2$).
- Marcas de aceite de motor de 2-tiempos, que cumple las normas ISO-L-EGD o JASO FD.

Almacenar la mezcla de combustible no más de 3 semanas.

Tabla de mezclas de combustible:

Proporción de gasolina:aceite = 50:1 (2 %)	
Gasolina	Marcas aceite de motor de 2-tiempos
1 l	20 ml
2 l	40 ml
5 l	100 ml
10 l	200 ml

Proporción de gasolina:aceite = 50:1 (2 %)	
Gasolina	Marcas aceite de motor de 2-tiempos
1 gal	2.6 US fl. oz
2.5 gal	6.4 US fl. oz
5 gal	12.8 US fl. oz

En lugar de mezcla de combustible auto-producido también pueden usarse mezclas disponibles comercialmente, pre-mezclado, mezcla de combustible especial para motores de 2-tiempos.

Recomendación: Use la mezcla de combustible especial de la marca "Aspen 2-Takt".

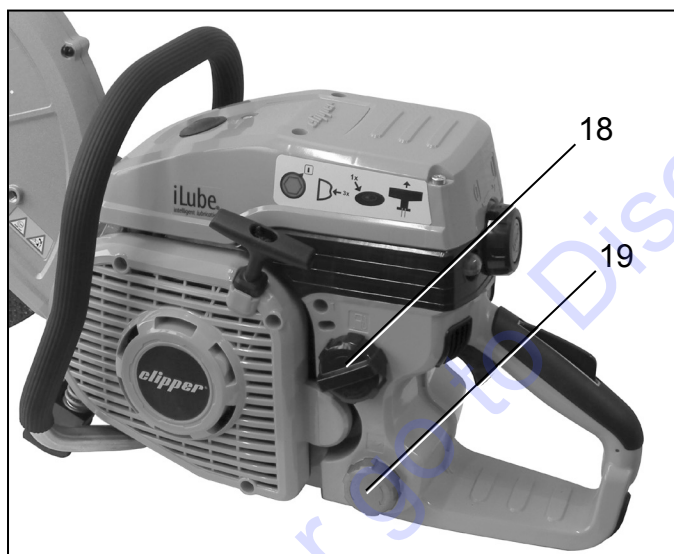
Deben observarse las especificaciones del fabricante del combustible.


Modelo CP512-300i y CP514-350i con iLube®


iLube®
intelligent lubrication


Los modelos CP512-300i y CP514-350i están equipados con un depósito de combustible y un depósito de aceite que deben llenarse según las especificaciones de abajo.


En estos modelos, la mezcla de combustible se forma durante la operación de forma automática (lubricación independiente, iLube®, lubricación inteligente).



 Tanque de combustible (18) para la gasolina "midgrade" sin plomo o gasolina súper sin plomo (octanos $PON \geq 89^{(R+M)/2}$).

 ¡No llenar mezcla de combustible en el tanque de combustible (18)!

 Depósito de aceite (19, tapa verde) para marcas de aceite de motor de 2-tiempos, que cumple las normas ISO-L-EGD o JASO FD.

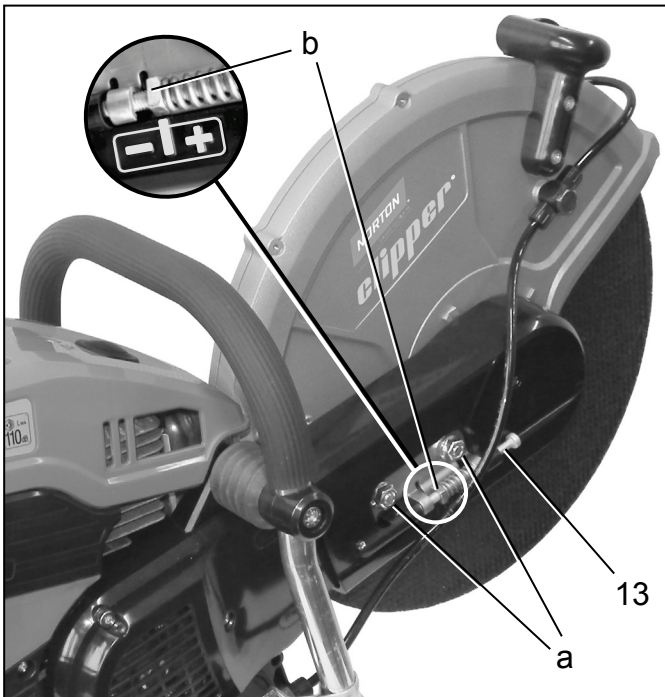
 Si no hay suficiente aceite en el tanque de aceite, el dispositivo controla de forma automática, incluso a bajas velocidades y no alcanza la velocidad necesaria para el trabajo, que se manifiesta por un cambio en el ruido de funcionamiento normal. Como mucho, rellenar con aceite en este caso.

llenar con medios (combustible y gasolina y la mezcla de aceite)

Al repostar, tenga en cuenta las prescripciones de seguridad. Llene el depósito con el motor detenido.

- Limpie completamente el área alrededor de la entrada de relleno.
- Coloque el dispositivo motorizado en el suelo de modo que la tapa del combustible quede hacia arriba.
- Desenrosque el tapón del depósito.
- Para evitar la contaminación en el depósito usar un embudo con filtro si es posible.
- Llenar el depósito hasta el borde inferior del cuello.
- Volver a cerrar el tapón de llenado del tanque con firmeza hasta que la protección de sobre velocidad de manera significativa "salta".
- Limpiar después de repostar la unidad de motor cuanto a posibles salpicaduras.
- Nunca arrancar o usar el motor en el lugar de repostaje.

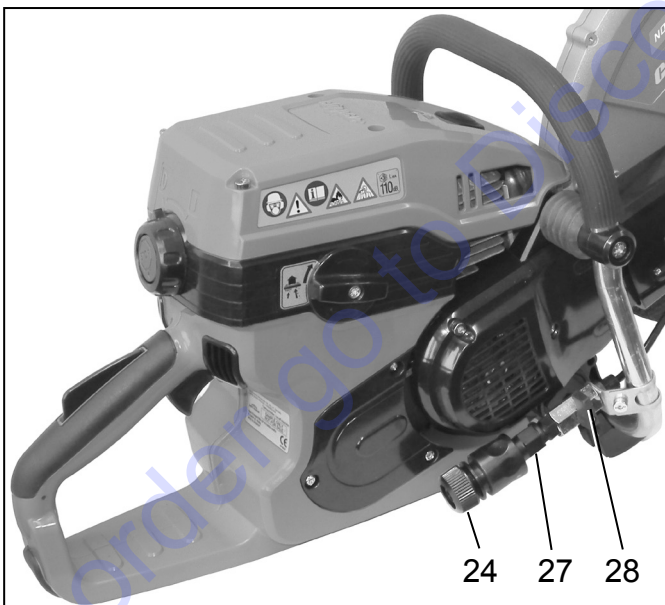
5.6 Ajustar la correa



En principio se deben ajustar correctamente las correas durante la puesta en marcha de la unidad de motor. Durante la instalación inicial, durante la reanudación después de una parada larga, después de reemplazar correas u otro trabajo, usted debe comprobar la tensión y, posiblemente, ajustar la tensión correcta.

- Apretar completamente las dos tuercas de fijación (a).
- Girar la cinta acanalada tornillo tensor (13) a la derecha (sentido horario):
→ Aumentar la tensión de la correa.
La tuerca cuadrada (b) pasa a la marca "+".
- Girar la cinta acanalada tornillo tensor (13) a la izquierda (sentido contrario al horario):
→ Disminuir la tensión de la correa.
La tuerca cuadrada (b) pasa a la marca "-".
- La tensión correcta se consigue cuando la tuerca cuadrada (c) está sobre el marcador (c) central, en otras palabras entre "+" y "-".
- Volver a apretar bien las dos tuercas de fijación (a)

5.7 Tuberías de agua para corte húmedo



El corte de materiales minerales produce mucho polvo fino. Recomendación: para cortar materiales minerales usar el suministro de agua del dispositivo motorizado y cuchillas de corte adecuadas para corte en mojado.

Al cortar con el suministro de agua, el polvo se aglomera, la inspección visual mejora y se extienden la vida útil de las cuchillas a través del efecto de enfriamiento de agua.

Antes del corte húmedo:

- Conectar suministro de agua adecuado o tanque de presión adecuada para el puerto de acoplamiento (24).
- Palanca de la válvula (28) para abrir o cerrar el suministro de agua.

Después del corte húmedo:

- Volver a cerrar la palanca de la válvula para cerrar el suministro de agua, es decir, colocarla transversalmente en el conector.
- Dejar que el disco de corte funcione todavía alrededor de 30 segundos a alta velocidad para sacudir el agua completamente.



Suministro de agua abierto
(palanca de la válvula en paralelo)



Suministro de agua cerrado
(palanca de la válvula horizontal)

Limpieza del colador en el inserto del acoplamiento (27): → Cap. 8.2, página 32

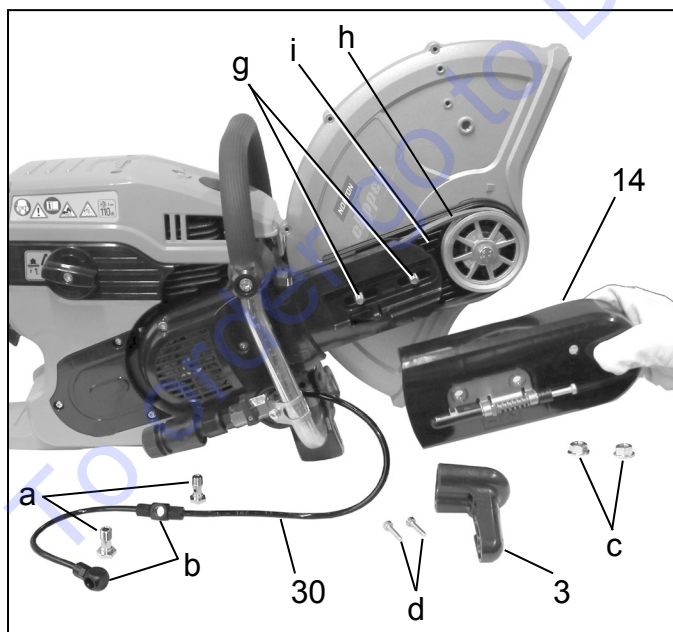
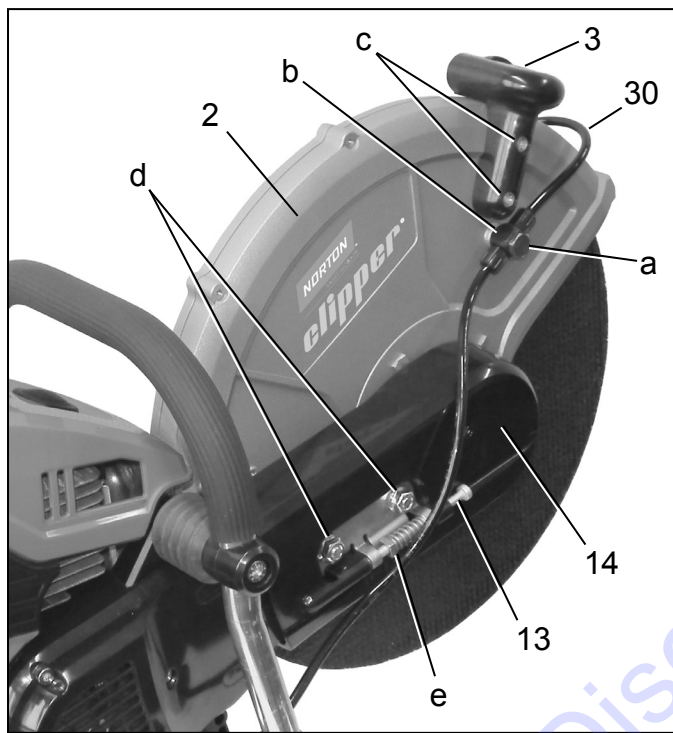
5.8 Cambiar el dispositivo de corte de la posición media a la posición exterior

La herramienta eléctrica es estándar para el funcionamiento de la cuchilla en la posición central. Básicamente, en la posición media el equilibrio de la herramienta eléctrica es mejor, porque la distribución del peso aquí simétricamente respecto al eje central, y el corte es por tanto más fácil de realizar.

En el caso de los obstáculos que se encuentran muy cerca del campo de la separación, puede ser necesario montar el separador en la posición exterior, de manera que el disco de corte esté más lejos.

! ¡Cuando se trabaja con la hoja en posición de fuera tener en cuenta distribución del peso desequilibrada! Si es posible, trabajar siempre en la posición central.

Cambiar desde la posición media a la posición exterior

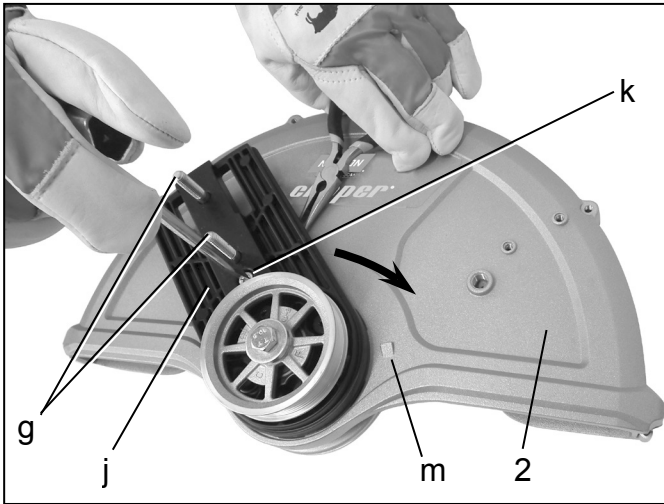


Preparación

- Colocar el aparato motorizado sobre una superficie plana.
- Desmontar el disco de corte:
→ Cap. 5.3, página 18
- Desmontar la línea de suministro de agua (30): Desenroscar el tornillo de fijación (a) de la línea de suministro de agua a la derecha y en el lado izquierdo de la tapa protectora (2). Retirar ambos adaptadores (b) incluyendo la línea de fuera de la guardia. Colocar los adaptadores, incluyendo la línea de manera a que en los pasos siguientes no interfieren y no queden atrapados.
- Desmontar el mango de ajuste de la tapa protectora (3): Desatornillar los dos tornillos de fijación (c) del mango del ajuste de la tapa protectora y retirar el mango.
- Apretar las dos tuercas de fijación (d) de la tapa de la banda acanalada (14).
- Girar la cinta acanalada tornillo tensor (13) a la izquierda, es decir, en el sentido contrario a las agujas del reloj para disminuir la tensión de la correa. Girar hasta que la tuerca cuadrada (e) alcance la marca "-". Al montar el separador en la posición media (véase el gráfico), la tuerca cuadrada se deja cuando se monta en posición desde fuera hacia la derecha.
- Aflojar completamente las dos tuercas de fijación (d).
- Retirar la tapa de la correa acanalada (14).

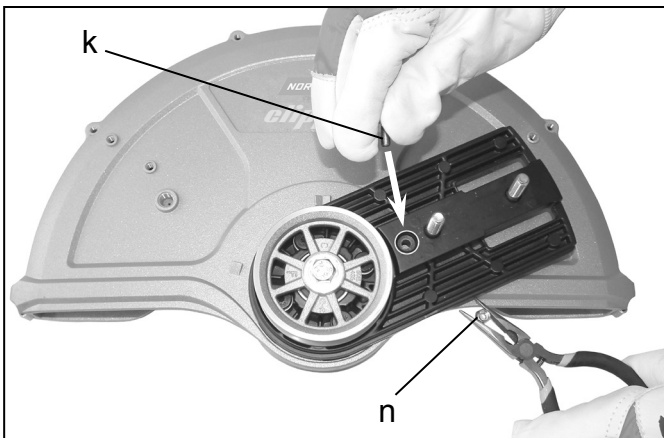
Desmontar la tapa protectora (2)

- Mueva con cuidado la cubierta de la unidad del motor hacia abajo. Los tornillos (g) de la brida de montaje (j) se mueven dentro de los orificios alargados.
- Cuando la tapa de protección se ha movido hasta la unidad de motor, con el apoyo de la correa (i) a través de la correa (h) se pueden extraer, remover la cubierta protectora. Asegúrese de que esta correa no va a dañar las aletas.



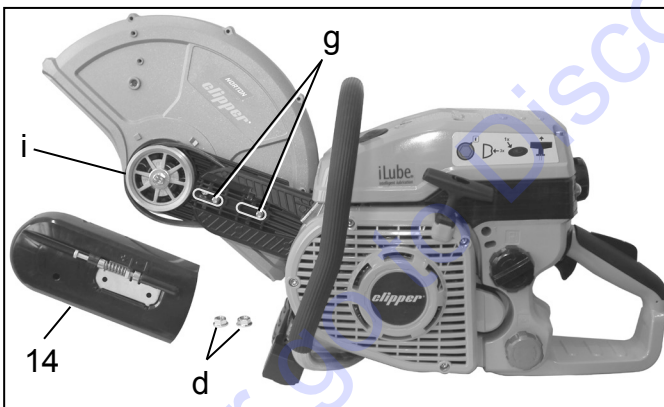
Aflojar y girar la brida de montaje (j)

- Colocar la tapa protectora con la brida de montaje (j) hacia arriba en una superficie plana (tornillos (g) de la brida de montaje hacia arriba).
- Retirar el tornillo (k)
Para ello, sujetar la tuerca que se encuentra por debajo de la brida de montaje con un par de alicates planos.
- Girar la brida de montaje contra la tapa protectora de manera que el orificio de montaje para el tornillo (k) esté entre el tope central y el tope derecho (m) en la cubierta protectora. La brida de montaje gira de forma rígida. Mantenga la tapa de forma segura en la rotación.



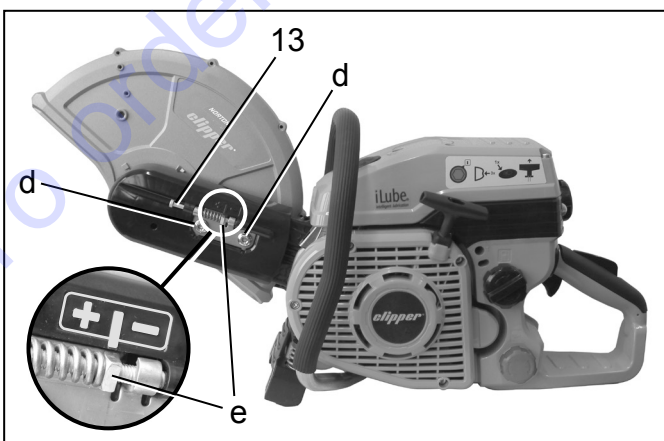
Limitar el ángulo de rotación de la tapa protectora con el tornillo (k)

- Vuelva a apretar el tornillo (k).
Para ello introducir la tuerca (n) con una pinza plana para girar la brida de montaje y fijar el tornillo.
La rotación de la tapa protectora está limitada por los toques de la tapa protectora, entre los que se puede mover la tuerca.



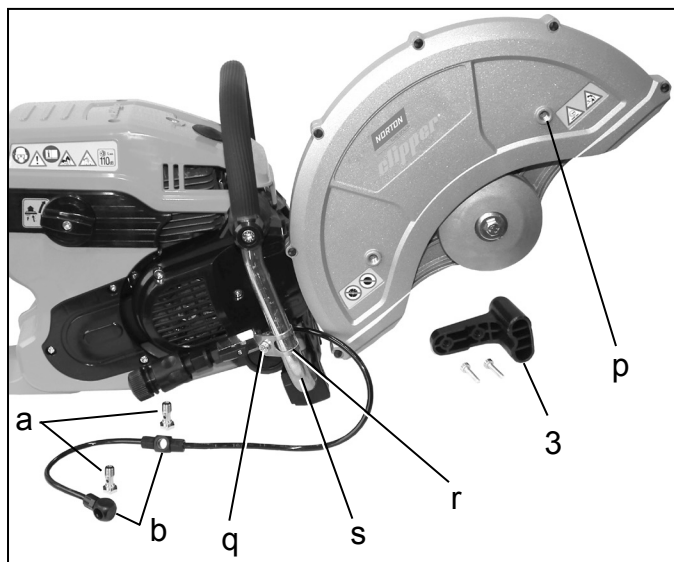
Montar el dispositivo de corte en la posición exterior

- Colocar el dispositivo de corte en la posición exterior en el apoyo del dispositivo de corte. Para ello colocar los dos tornillos (g) de la brida de montaje a través de los orificios ranurados y colocar el apoyo de correas (i) en las correas.
- Verifique que la correa se mueve libremente. Corregir el posicionamiento de la correa.
- Volver a colocar la cobertura de banda acanalada (14).



Ajustar la correa:

- Atornillar las dos tuercas de fijación (d) en la tapa de correa en los tornillos de la brida de montaje. Apretar las tuercas con la mano con la misma firmeza que la tensión de la correa se puede ajustar.
- Girar la cinta acanalada tornillo tensor (13) a la derecha, es decir, en el sentido de las agujas del reloj para aumentar la tensión de la correa. La tensión correcta se consigue cuando la tuerca cuadrada (e) está sobre el marcador central, en otras palabras entre "+" y "-".
- Apretar las dos tuercas de fijación (d).



Mover la fijación de la línea de suministro de agua hacia arriba:



La línea de suministro de agua debe colocarse de modo a evitar, en todas las posiciones de la tapa protectora, un contacto de la tubería de suministro de agua y el disco de corte en funcionamiento.

- Colocar la línea de suministro de agua de modo que se ejecute en el exterior de la tapa protectora y no entre la tapa protectora y la brida de montaje.
- Insertar los tornillos de montaje (a) de la línea de suministro de agua en las piezas del adaptador (b).

- Posicionar las piezas del adaptador en el lado derecho e izquierdo de la cubierta protectora sobre el agujero roscado asociado (p) en la posición de los tornillos de fijación y el tornillo de la línea de suministro de agua.
- Aflojar el tornillo (q) de la abrazadera (r) para poder mover la abrazadera hacia arriba.
- Mover la abrazadera hacia arriba hasta que la línea de suministro de agua no pueda entrar en contacto con la hoja.
- Posicionamiento de la línea de suministro de agua con toda la tapa protectora inclinada hacia adelante y ajustar si es necesario.

Volver a montar el mango del ajuste de la tapa protectora y el disco de corte

- Volver a montar el mango para guardar el ajuste (3) con los tornillos de montaje asociados en la contraportada.
- Montar los discos de corte → Cap. 5.1, página 17

5.9 Primera puesta en marcha / Arranque

Después de la producción, el dispositivo motorizado es sometido a un proceso de pruebas y test que comprueban que el motor funciona de manera óptima.

Por ello, no son necesarias medidas especiales cuando se pone en marcha por primera vez.

6 Arrancar el motor / Apagar el motor



¡Tener en cuenta las normas de seguridad!

6.1 Procedimiento de arranque



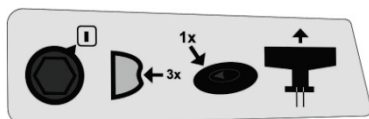
Preparación para el arranque


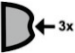


- Colocar el dispositivo motorizado en una superficie plana y sin obstáculos y asegurarse de que el disco de corte no entre en contacto con ningún objeto.
- Colocar la tapa protectora en su posición óptima para la aplicación prevista. → Cap. 5.4, página 19

Regulación automática de la mezcla para arranque en frío y en caliente


El dispositivo motorizado está equipado con un carburador controlado electrónicamente. Por ello, no son necesarios ajustes especiales para el arranque en frío o en caliente (p. ej. operación manual del estérter).

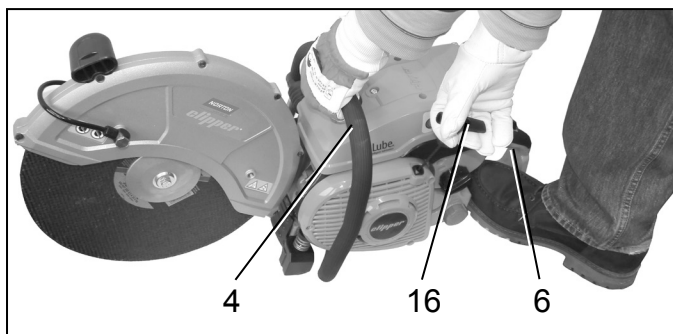
Indicaciones de arranque



- 
 - Girar el interruptor giratorio de parada hacia la posición de operación "1".
- 
 - Accionar el primer antes del primer arranque. → Cap. 4.6, página 16
- 
 - Pulsar la válvula de descompresión antes de la puesta en marcha. → Cap. 4.6, página 16
 - Poner el dispositivo motorizado en la posición de puesta en marcha. → Cap. 6.2, página 26
- 
 - Tirar del mango del estérter. → Cap. 6.3, página 26

6.2 Posición de puesta en marcha


 Debe evitarse a toda costa el contacto del disco de corte con partes del cuerpo u objetos.

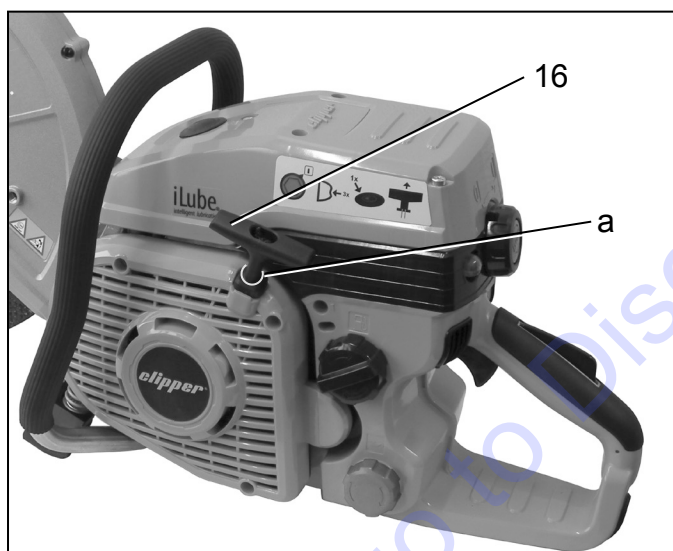


- Colocar un pie en el mango manual trasero (6) para de esta forma, sujetar el dispositivo motorizado en el suelo.
- Sujetar firmemente la unidad de motor con una mano en el mango (4) y presione firmemente en el suelo.
- Con la otra mano manejar el mango del estárter (16).

¡No están permitidas otras posiciones de puesta en marcha!

6.3 Arranque del motor

 Las siguientes indicaciones sirven para aumentar la vida útil de la cuerda de arranque y del mecanismo de arranque:



- Tirar del mango del estárter (16) al proceder a la puesta en marcha, primero lentamente hasta encontrar una resistencia palpable (punto muerto superior).
- Después, tirar del mango del estárter de forma rápida y con decisión.
- Tirar siempre del cable en línea recta.
- No permitir que el cable se enrolle en los ojales del cable (a).
- ¡Peligro de rotura de cable! No tirar del cable hasta el tope.
- Llevar siempre el mango del estárter hasta su posición de salida, no deje que se retraiga.

Los cables de arranque dañados pueden ser reemplazados a un taller especializado autorizado por el fabricante.

6.4 Parar el motor

Soltar la palanca del acelerador y pulsar el interruptor de parada One-Touch.

 Asegúrese de que el disco de corte esté frenado antes de desconectar el dispositivo motorizado.

Recomendación: Gire el interruptor giratorio solo a "0" para trabajos de mantenimiento con el fin de evitar el arranque accidental del motor. Cuando se utiliza el dispositivo motorizado, debe usarse siempre el interruptor de parada One-Touch para detener el motor.

7 Uso del dispositivo motorizado



¡En todos los trabajos deben observarse todas las normas de seguridad y en general cumplir con toda la información en los otros capítulos de este manual con cuidado!

Lista de verificación de la aplicación (¡solo palabras clave!) →



- Antes del arranque:
 - ¡La unidad de motor se encuentra en condiciones de trabajo seguro! → manual de instrucciones completo
 - Ropa de trabajo obligatoria → cap. 3.3, página 8
 - Entorno de trabajo explorado y asegurado → cap. 3.2, página 6, y cap. 3.9, página 10
 - Montado el correcto disco de corte → cap. 5.1, página 17, y cap. 7.1, página 28
 - Tapa de protección en posición óptima → cap. 5.4, página 19
 - Posición del dispositivo de corte, posición media preferente → cap. 5.8, página 22
 - Tensión de la correa acanalada correcta → cap. 5.6, página 21
 - Recursos llenados → cap. 5.5, página 19
- Iniciar: → cap. 6, completo a partir de la página 25
 - Preparación de inicio → cap. 6.1, página 25
 - Interruptor de parada giratorio en posición de listo → cap. 6.1, página 25
- Trabajar siempre de forma segura → manual de instrucciones completo
 - Comprobar ajuste de marcha en vacío → cap. 8.3, página 32
 - Evaluación de la situación de trabajo → cap. 3.9, página 10, cap. 7.2, página 28 y cap. 7.3, página 29
 - Corte húmedo preferente → cap. 5.7, página 21
 - Técnica de trabajo segura → cap. 7.3, página 29, cap. 7.4, página 29 y cap. 7.5, página 30
 - Instrucciones de funcionamiento y mantenimiento completas → cap. 8, completo a partir de la página 31
 - Filtro de aire limpio → cap. 8.4, página 33
- Después del trabajo: → manual de instrucciones completo
 - Limpieza y conservación → cap. 8.1, página 31
 - Guardar el dispositivo motorizado de forma segura → cap. 8.10, página 40
 - Mantenimiento → manual de instrucciones completo

7.1 Discos de corte



Utilice solo hojas de sierra que cumplan con las normas ANSI B7.1, EN 12413 y EN 13236 y están absolutamente intactas.

La velocidad máxima del cabezal del dispositivo motorizado es 4.550 min^{-1} [4.550 RPM].

Solo deben usarse discos de corte de alta velocidad reforzados, cuya velocidad máxima permitida sea de, al menos, 4.550 min^{-1} [4.550 RPM].

Para el mecanizado de metales (corte caliente) y para el procesamiento de materiales minerales (corte frío), se ofrecen diferentes discos de corte. En principio, solamente deben usarse discos de corte aprobados para el procesamiento de material.

Los discos de corte de diamante solo están autorizados para el corte de materiales minerales. Durante la instalación de discos de diamante es necesario observar la dirección de rotación que se indica en el disco de corte de diamante, ya que esto disminuye el efecto de las pérdidas de diamante para cortar rápidamente.

La rotación del disco de corte cuando se instala: → Cap. 5.1, página 17

Los discos de corte de resina no pueden estar expuestos a la humedad. El suministro de agua para el corte en húmedo no se debe utilizar cuando se usan discos sintéticos de corte de resina. No usar los discos de corte de resina sintética con alta humedad y la lluvia.

El husillo del dispositivo motorizado está diseñado para discos de corte con un diámetro interno de 20 mm. Discos de corte con agujeros internos de 1" solo pueden ser montados junto con la arandela adaptador de eje incluidos en la entrega.

Montaje de discos de corte con perforación interior de 1": → Cap. 5.2, página 18

¡No instalar discos de corte con otras perforaciones interiores!

¡La perforación interior no puede ser modificado por perforación o acción similar!

Antes de proceder al proceso de corte, es necesario que los discos de corte funcionen a velocidad máxima por lo menos durante 60 segundos para comprobar su funcionamiento. No puede haber partes del cuerpo en el área de oscilación del disco de corte.

7.2 Área de corte permitida y peligro de rebote (Kickback) o arrastre



✘ ¡La porción superior de la hoja no puede ser utilizado para el corte!

✓ ¡Solo la porción inferior de la hoja puede ser utilizado para el corte!



¡Peligro de lesión por rebote (Kickback)!

El rebote se produce cuando la porción superior del disco de corte se utiliza para el corte.

De esta forma, el dispositivo motorizado sale disparado a gran velocidad de forma no controlada en dirección a la cabeza del usuario.

- ¡Nunca corte con la parte superior de la hoja!
- ¡Tenga mayor precaución en puntos de corte ya empezados!



¡Riesgo de lesiones por arrastre!

El arrastre se produce cuando el área de corte es estrecha (grieta o grieta bajo presión).

El dispositivo motorizado es acelerado descontroladamente con una energía muy alta.

- Ejecutar el procedimiento de corte y la utilización de áreas de corte ya empezadas siempre con velocidad máxima.
- Soportar siempre la pieza de manera que el área de corte esté bajo presión para que el disco de corte no quede atascado.
- Al inicio del proceso de corte llevar siempre la hoja con cuidado hacia la pieza, no de forma brusca.
- ¡Nunca cortar varias piezas al mismo tiempo!
- Al cortar asegurarse de que ninguna otra pieza se toca.

7.3 Comportamiento en el trabajo y la tecnología de trabajo

- Para las operaciones de corte más complejas, la dirección del corte y el orden de los cortes deben determinarse con antelación para evitar pellizcar la hoja a través de la sección a quitar y para evitar daños por caída de objetos.
- Sostener el dispositivo motorizado con ambas manos. La mano derecha sobre el mango trasero, la mano izquierda en el mango. Manejar firmemente los mangos con el pulgar.
- El dispositivo motorizado debe funcionar a la velocidad más alta posible.
- Se prohíbe el cambio de dirección (radios inferiores a 5 m [aprox. 15 ft]), la presión lateral o inclinar la unidad de motor durante el proceso de separación.
- Al cortar piezas de trabajo usar un apoyo seguro y asegurar la pieza de trabajo para evitar el deslizamiento y torsión. La pieza no se puede sujetar con el pie o por otra persona.
- Esté siempre preparado para un posible rebote de la pieza de trabajo y garantizar la posibilidad de retroceso de seguridad.
- Asegúrese de que el material separado no puede causar lesiones y o daños a la propiedad.

7.4 Cortar metal



Cuando del corte es en seco usar siempre equipo de protección respiratoria.

Los metales se calientan por la rápida rotación de la lámina situada en el punto de contacto y se funden.

- Bajar la tapa de seguridad en la medida de lo posible para conducir posibles chispas hacia delante, es decir, lejos del usuario.
- Antes del corte, determinar la distancia de corte, marca y disco de corte para velocidad media del material. Solo después de la incisión de la ranura seguir a toda velocidad y presión.
- Realizar el corte solo en vertical y horizontal. No inclinar.
- Un corte seguro y suave se consigue mejor tirando del motor hacia adelante el dispositivo controlado. Durante la marcha adelante del dispositivo motorizado no presionar adicionalmente el disco de corte contra el avance producido por la rotación del disco.
- Es preferible cortar las varillas sólidas progresivamente.
- Los tubos delgados se pueden separar fácilmente con la disminución de la media.
- Tuberías de gran diámetro, como el tratamiento de las barras sólidas. Para evitar atascos y para un mejor control del proceso de separación no permitir que la cuchilla se hunda profundamente en el material. Asegúrese de que la pieza a procesar no toca los discos de presión de la fijación de la cuchilla.

- Cortar el soporte T doble o ángulo de acero en fases.
- El acero en placas o las bandas de acero se cortan como tuberías, tirando de plano, con una sección larga.
- El material bajo tensión (material soportado o en pared) debe ser primero entallado en el lado de presión y después cortado en el lado de tracción para que el disco de corte no se atasque.

7.5 Cortar materiales minerales

El corte de materiales minerales produce mucho polvo fino.

Recomendación: Para cortar materiales minerales usar el suministro de agua del dispositivo motorizado y cuchillas de corte adecuadas para corte en mojado.

Al cortar con el suministro de agua, el polvo se aglomera, la inspección visual mejora y se extiende la vida útil de las cuchillas a través del efecto de enfriamiento de agua.

Abastecimiento de agua para el corte húmedo: → Cap. 5.7, página 21

Pequeños trozos del material mineral pueden ser despedidos de la ranura de separación debido a la rápida rotación de la cuchilla en el punto de contacto.

- Bajar la tapa de seguridad en la medida de lo posible para conducir posible chispas hacia adelante, es decir, lejos del usuario.
- Marque la línea de corte y deje una ranura de aproximadamente 5 mm [aprox. 3/16"] de profundidad, lo que hace que la unidad de motor durante el proceso de separación posterior sea más precisa.
- Proceso de separación con movimientos hacia delante y hacia atrás.
- Al ajustar a las placas de piedra es suficiente la aplicación de una ranura plana (evitar la formación de polvo innecesaria), para después poder procederse al corte limpio en la pieza suspendida.

8 Indicaciones de funcionamiento y mantenimiento



El mantenimiento y la reparación de herramientas eléctricas modernas y sus dispositivos de seguridad requieren una formación técnica calificada y están equipadas con herramientas especiales y dispositivos de prueba.

Recomendación: Encargue todos los trabajos que no se describen en este manual y todo el trabajo para el que no se sienta capacitado, a un taller especializado autorizado por el fabricante. El personal especializado dispone de formación, experiencia y el equipamiento para que usted pueda acceder a la solución individual más económica. Le ayudará con consejos y hechos.



¡Observar las normas de seguridad en todos los trabajos de mantenimiento!



Después de un tiempo de duración de aproximadamente 5 horas, todos los tornillos y tuercas accesibles (salvo los tornillos de ajuste del carburador) para verificar si la estanqueidad y apretar si es necesario.

Mantenga la herramienta eléctrica en un lugar seco y seguro, con un tanque de combustible lleno. No debe haber fuegos abiertos o similares cerca.

Antes de un almacenamiento prolongado (más de 4 semanas), deben observarse las indicaciones en el cap. 8.10 página 40.

8.1 Limpieza y conservación



La unidad de motor debe limpiarse completamente después de cada uso y debe comprobar los daños, especialmente en los agujeros de aire de refrigeración en la caja de arranque, que debe estar limpio y libre.

En el interior del protector se forman, con el tiempo, depósitos de material (especialmente en caso de corte mojado), que pueden impedir el giro libre de la hoja.

Para su limpieza utilice solo productos de limpieza inofensivos para el medio ambiente disponibles en los negocios especializados. ¡No limpiar nunca con combustible!

- Desmontar los discos de corte y los discos de presión. → Cap. 5.3, página 18
- Retirar los depósitos de material en el interior de la cubierta con un bloque de madera o una herramienta similar.
- Limpiar el eje y todas las piezas desarmadas e inspeccionar los daños.
- Limpiar el disco de corte y fíjese si hay daños. Si encuentra algún daño, deseche inmediatamente la hoja correctamente, por lo que no se reutilizarán para la siguiente solicitud de trabajo.
- Comprobar si la tapa protectora no tiene daños. Si se encuentra algún daño, reemplace la cubierta del dispositivo motorizado por otra con cubierta protectora intacta y disponga de la dañada inmediata y correctamente.
- Volver a montar el disco de presión y todas las piezas y discos de corte. → Cap. 5.1, página 17

8.2 Limpiar el filtro del acoplamiento

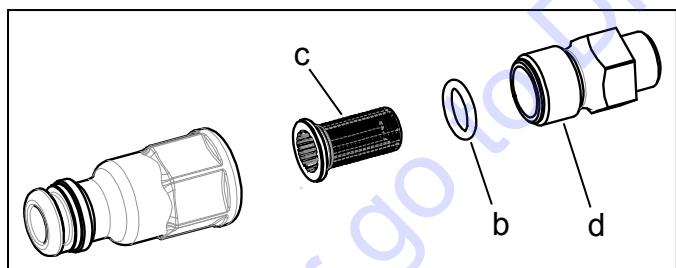
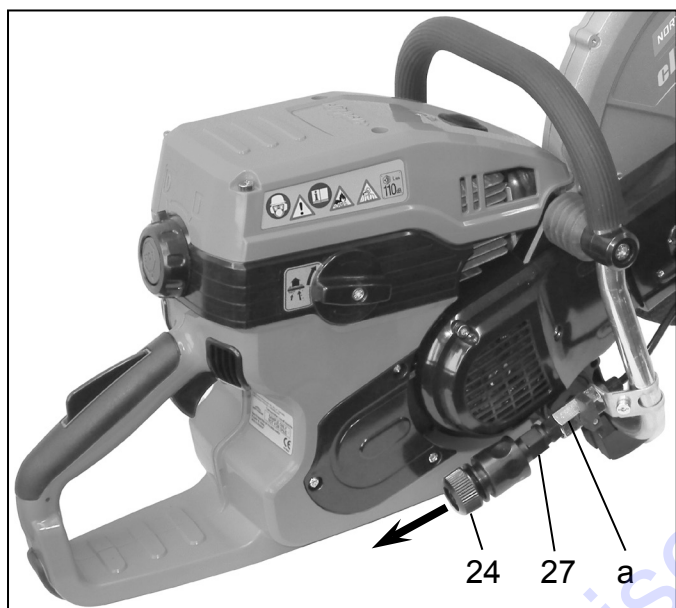


La pieza de acoplamiento de la línea de suministro de agua para la sección húmeda está equipado con un inserto de tamiz, diseñado para evitar una oclusión de la línea de suministro de agua con las impurezas del agua suministrada.

Abastecimiento de agua para el corte húmedo: → Cap. 5.7, página 21

! ¡Peligro de suciedad para las tuberías de agua!
Abrir las tuberías de agua solo en un entorno limpio.

Semanalmente o si no hay suficiente agua para el corte húmedo, debe limpiarse el filtro del acoplamiento y limpiarse muy bien:

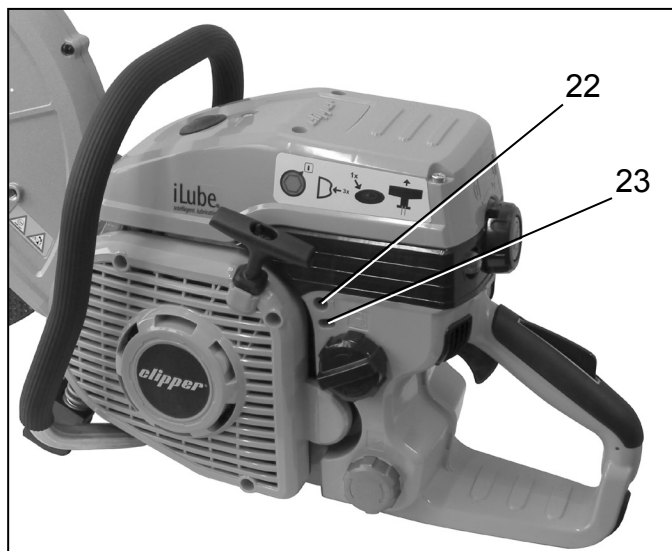


- Pare el motor y gire el interruptor giratorio a "0".
Parar el motor: → Cap. 6.4, página 26
- Retirar la conexión de acoplamiento de la tubería de agua. Retirar estas conexiones de acoplamiento de desconexión (24) en la dirección de la pantalla de filtro de acoplamiento (27) de la línea de suministro de agua.
- Desenrosque el colador de acoplamiento con una llave adecuada desde el conector (a) de la línea de suministro de agua.
- Aflojar el filtro de acoplamiento (27) con una llave adecuada.
- Retirar el filtro de inserción (c) del soporte de filtro (d) del acoplamiento.
- Retirar el junta (b) del filtro de inserción (c).
- Lave el filtro de inserción, la conexión de acoplamiento, ambas partes de la pieza de acoplamiento con agua limpia hasta que se extraiga toda la suciedad.
- Volver a insertar la junta (b) en el filtro de inserción (c).
- Volver a insertar el filtro de inserción (c) junto con la junta (b) en la orientación correcta (ver figura) en el soporte del filtro (d) de la pieza de acoplamiento.
- Atornillar el filtro y el acoplamiento.
- Volver a atornillar el filtro acoplador en la salida (a) de la línea de suministro de agua.
- Volver a insertar el acoplamiento de conexión.

8.3 Ajustar la marcha en vacío / carburador



! ¡Los discos de corte tienen que estar en ralentí!
El ajuste de ralentí debe controlarse en cada uso, y corregir si es necesario.



Con la velocidad de ralentí correcta, el motor debe funcionar sin problemas en la marcha lenta sin que el disco de corte sea accionado.

El carburador se ajusta en la fábrica. Dependiendo de la ubicación de uso puede ser necesaria una corrección de la posición de ralentí en el tornillo de tope de ralentí "T" (22)

Los tornillos de ajuste del carburador "L" (control de mezcla de ralentí) y "H" (control de carga completa) (23) solo se deben ajustar en talleres especializados autorizados por el fabricante.

Tornillo en "T" ralentí

El tornillo de tope de ralentí se puede ajustar fácilmente con un destornillador pequeño incluido en la entrega.

Para ajustar correctamente, el filtro de aire debe estar limpio.

Mantenimiento del filtro de aire: → Cap. 8.4, página 33

Espere a que el motor se caliente antes de proceder a los ajustes.

Para ajustar la velocidad de ralentí indicada en los datos técnicos (cap. 4.3, página 13) proceda de la siguiente manera, preferentemente con la ayuda de un cuentarevoluciones:

- Ralentí demasiado alto (sobre todo cuando la rueda ya está impulsado sin gas):
→ Girar un poco el tornillo de tope de ralentí "T" en el sentido contrario al de las agujas del reloj.
- La velocidad de ralentí es demasiado baja (es decir, el motor en ralentí se apaga una y otra vez):
→ Girar un poco el tornillo de tope de ralentí "T" en el sentido de las agujas del reloj hasta que el motor funcione al ralentí uniforme sin que se apague.

Si no se consigue un ajuste óptimo del carburador regulando el tornillo tope en vacío "T", lleve el carburador a un taller especializado autorizado por el fabricante para que lo corrijan de forma óptima.

8.4 Mantenimiento del filtro de aire



Un filtro de aire sucio reduce el rendimiento. El consumo de combustible y las emisiones contaminantes son mayores en cantidad. Además, la puesta en marcha también es difícil.

Vaciado intermedio del filtro de aire



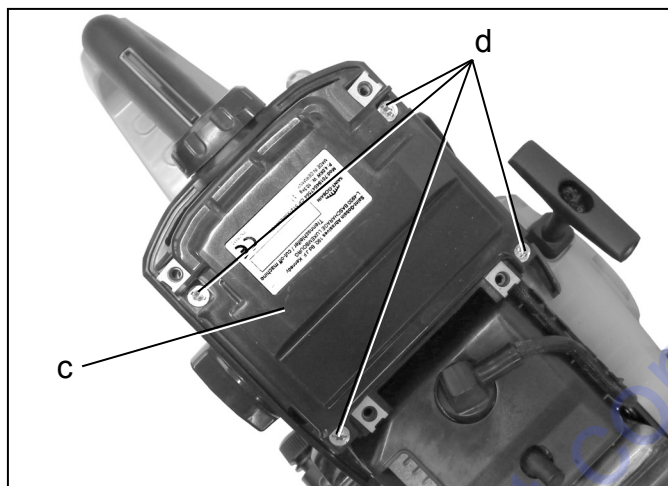
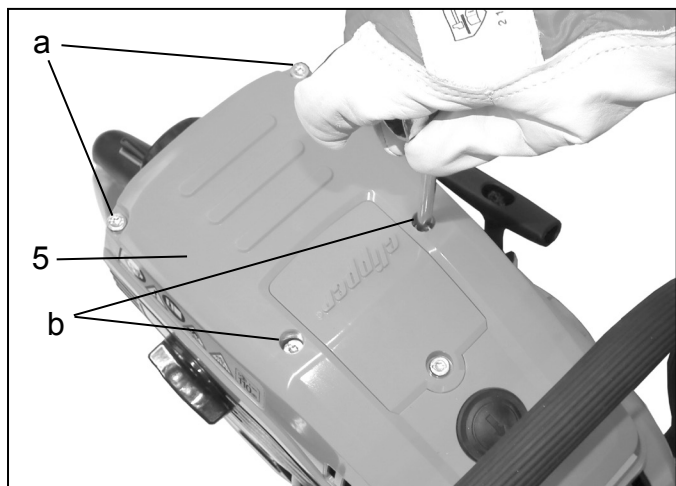
Girar botón giratorio (29), para proceder a un vaciado intermedio del filtro de aire durante el trabajo. Se agita la caja de filtros y los filtros de aire para que caiga el polvo. Inclinar ligeramente el dispositivo motorizado hacia atrás y el polvo de la apertura de aspiración cae hacia fuera. Girar varias veces el botón si es necesario.

Limpeza del filtro de aire

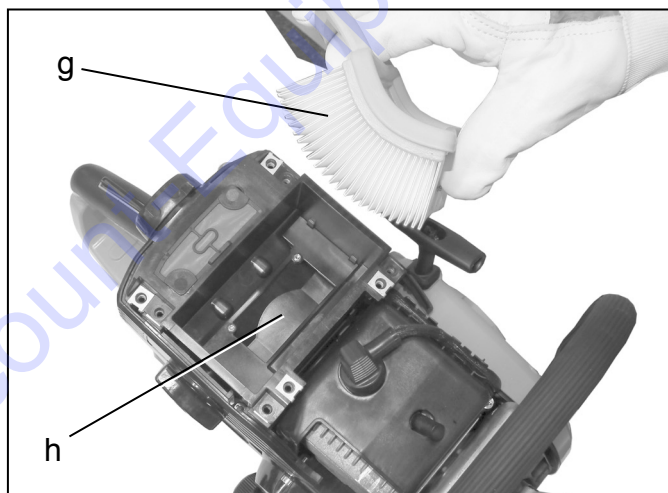
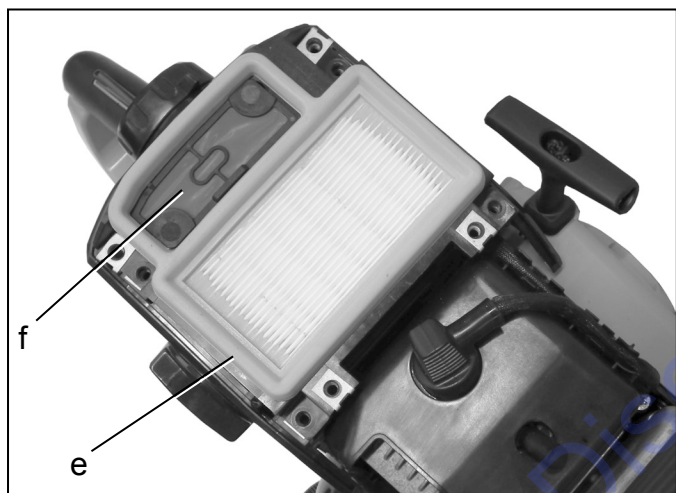
Una vez por semana o cuando la potencia del motor disminuye de manera significativa, el filtro de aire debe ser retirado y limpiado completamente.



¡Peligro de contaminación en el interior de los filtros!
Retirar el capó y la tapa de la caja de filtros solo en un entorno limpio.



- Pare el motor y gire el interruptor giratorio a "0". Parar el motor: → Cap. 6.4, página 26
- Desatornillar los cuatro tornillos de montaje (a) y (b) del capó (5). Retirar el capó.
- Desatornillar los cuatro tornillos de montaje (c) de la tapa de la caja del filtro de aire (d) y quite la tapa de aire caja de filtro.



❗ La cubierta de malla fina (f) y el filtro de aire (g) no pueden limpiarse con aire comprimido o mojados.

❗ ¡Riesgo de daños en el motor debido al efecto de filtrado insuficiente!
 ¡Los materiales de filtro dañados deben ser reemplazados inmediatamente!

- Sujetar los filtros de aire en el marco del filtro de aire (e) y retirarlos hacia arriba.
- Un simple contacto o cepillar las capas de papel individuales (g) es lo más adecuado para para limpiar el filtro de aire.
- Tome el dispositivo motorizado con ambas manos para vaciar la caja del filtro de aire (h).
- Quitar el polvo de la cubierta de malla fina (f) cerca de la caja del filtro de aire con un cepillo seco.
- Volver a colocar el filtro de aire.
- Volver a montar la tapa.

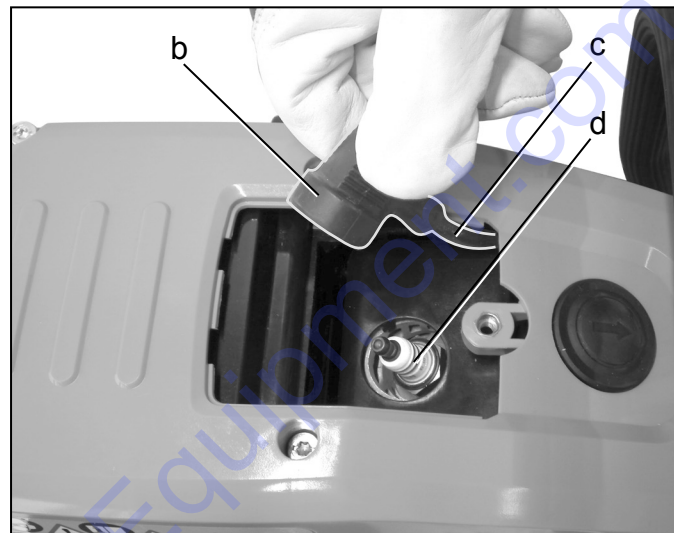
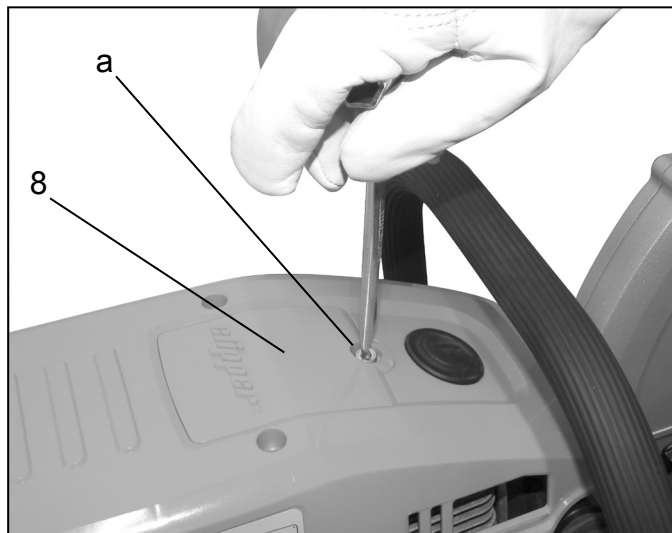
❗ Al volver a montar la carcasa tenga en cuenta la ubicación correcta de las secciones de alojamiento, cada uno con sus tornillos y apretar todos los tornillos.
 La tornillos de montaje del capó (a) y (b) no deben ser intercambiados. Los dos tornillos de fijación del capó (b) son más cortos que los tornillos (a).

8.5 Compruebe las bujías y sustítúyalas si fuera necesario



⚠ ¡Peligro de contaminación en el interior de la unidad de motor!
Abrir la tapa de la bujía solo en entorno limpio.

La bujía debe ser revisada cada 50 horas de servicio.



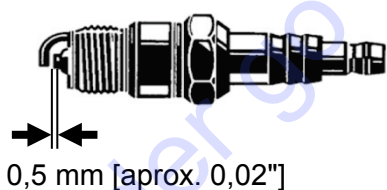
- Pare el motor y gire el interruptor giratorio a "0". Parar el motor: → Cap. 6.4, página 26
- Desatornillar el tornillo de montaje (a), retirar la bujía aumentará el tope de (8) en el soporte y luego retírela.
- Retirar el enchufe de la bujía (b) de la bujía inferior (d).



¡Peligro de fuego causado por las chispas!

No poner el motor en marcha cuando la bujía (d) se desenrosca y el cable de encendido (c) se retira del conector.

- Desatornillar la bujía (d), retirarla y secarla bien.
- Limpie la bujía con un paño seco y verifique los electrodos. Entre los electrodos no debe haber cuerpos extraño. Cualquier cuerpo extraño debe ser retirado con un cepillo o un pincel.



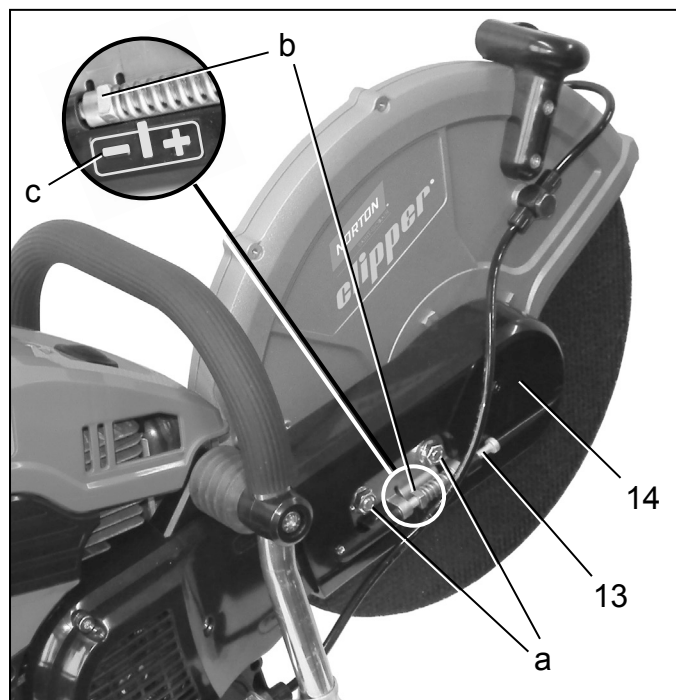
- Si el electrodo está demasiado quemado la bujía debe sustituirse de inmediato – de lo contrario, después de 100 horas.
- Reglamentación de distancia entre electrodos: 0,5 mm [aprox. 0,02"]
En caso de un distancia incorrecta de los electrodos se debe cambiar la bujía. Las siguientes bujías de encendido con chispa suprimida están autorizadas para su uso en este dispositivo motorizado: BOSCH WSR6F, CHAMPION RCJ-6Y y NGK BPMR7A
¡No está permitido el uso de bujías de encendido de otros fabricantes!

- Antes de comenzar el trabajo, compruebe la conexión correcta del cable de encendido (c) y su aislamiento intacto. No siga trabajando si el aislamiento está dañado, debe ponerse en contacto con un taller especializado autorizado por el fabricante.
- Vuelva a atornillar la bujía (d). Par de giro: 25 Nm [18,4 ft-lbf]
- Presione el enchufe de la bujía de ignición (b) en la bujía de ignición (d).
- Vuelva a montar la tapa (8) de la bujía de ignición.

8.6 Cambiar correa acanalada

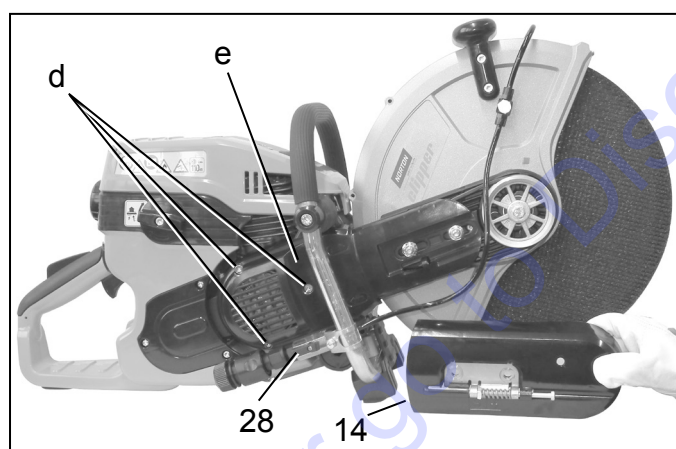


¡Riesgo de contaminación de la correa, embrague y la estructura de soporte asociada!
Retirar las tapas de acoplamiento y correa solo en un entorno limpio.

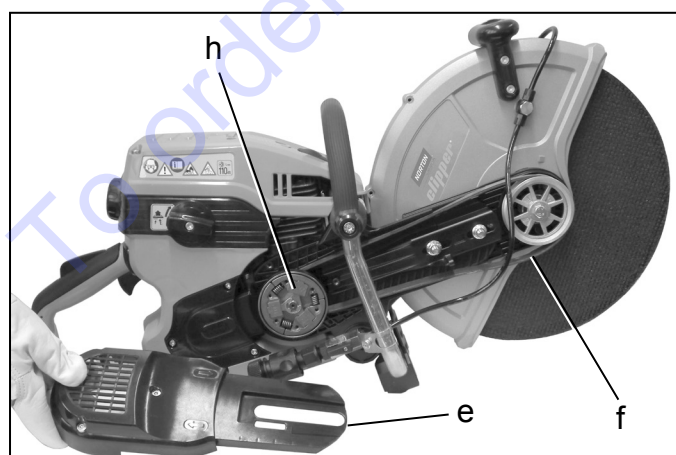


- Pare el motor y gire el interruptor giratorio a "0". Parar el motor: → Cap. 6.4, página 26
- Detenga la alimentación de agua al dispositivo.
- Coloque el aparato motorizado sobre una superficie plana.

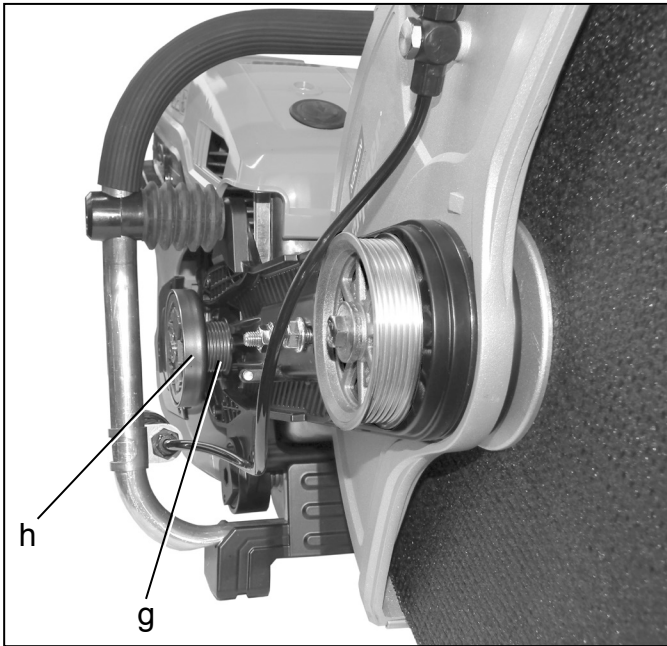
- Apriete las dos tuercas de fijación (a) de la tapa de la banda acanalada (14).
- Gire la cinta acanalada tornillo tensor (13) a la izquierda, es decir, en el sentido contrario a las agujas del reloj para disminuirla tensión de la correa.
Gire hasta que la tuerca cuadrada (b) alcance la marca "-" (c). Al montar el separador en la posición media (véase el gráfico), la tuerca cuadrada se deja, cuando se monta en posición de fuera a la extrema derecha
- Desenrosque completamente las dos tuercas de fijación (a).
- Retire tapa de la correa acanalada (14).



- Gire las tuercas de fijación (a) de la cobertura de la correa (14) de nuevo para girar los tornillos correspondientes y apriete ligeramente para evitar que el dispositivo de separación pueda caer.
- Afloje los tres tornillos de montaje (d) de la tapa del embrague (e).
Los tornillos solo necesitan ser sueltos hasta el momento que se pueda girar fácilmente. No es necesario desenroscar completamente los tornillos porque los mismos deben permanecer en la cubierta.



- Coloque la palanca de válvula (28) para el suministro de agua paralelo al conector, de modo que no interfiera en la siguiente etapa.
- Retire la tapa del embrague (e).
- Retire la correa vieja (f) o los restos de la misma y posibles objetos extraños.
- Limpie con un cepillo pequeño o un cepillo de la zona que ya se encuentra abierta.
- Coloque una nueva correa en el lado de entrada del embrague en la banda de rodadura (g) después de la campana de carcasa (h).
- Coloque el otro lado de la correa el lado de salida para la banda de rodadura ranurada (i) de la aleta de tira soporte.



- Verifique que la correa se mueve libremente. Corrija el posicionamiento de la correa.
- Vuelva a colocar la tapa del embrague y compruebe si la correa se mueve libremente. Vuelva a retirar la tapa del embrague si es necesario y corrija la posición de la correa.
- Vuelva a apretar los tres tornillos de montaje (d) de la tapa del embrague (e).
- Verifique que la correa aún se mueve libremente. Vuelva a aflojar los tornillos del embrague si es necesario y corrija la posición de la correa.
- Vuelva a aflojar las dos tuercas de fijación (a) de la tapa de la banda acanalada.
- Vuelva a colocar la cobertura de banda acanalada (14).
- Vuelva a apretar las dos tuercas de fijación (a) de la tapa de la banda acanalada. Apriete las tuercas con la mano con la misma firmeza que la tensión de la correa se puede ajustar.
- Gire la cinta acanalada tornillo tensor (13) a la derecha, es decir, en el sentido de las agujas del reloj para aumentar la tensión de la correa. La tensión correcta se consigue cuando la tuerca cuadrada (b) está sobre el marcador central, en otras palabras entre "+" y "-".
- Apriete las dos tuercas de fijación (a) de la tapa de la banda acanalada.
- Vuelva a cerrar la palanca de la válvula palanca para cerrar el suministro de agua, es decir, colóquela transversalmente en el conector.

8.7 Cambiar el filtro del combustible



El cambio del filtro de combustible en el tanque de combustible tiene que ser asignado en el marco del servicio anual de clientes en un taller especializado autorizado por el fabricante.

8.8 Plan de mantenimiento










La siguiente información se basa en condiciones normales de funcionamiento. En condiciones especiales, tales como largas horas de trabajo diarias se deben acortar los intervalos de mantenimiento.

Realice los trabajos de mantenimiento que figuran a continuación regularmente. Lleve el aparato a un taller especializado autorizado por el fabricante si no puede llevar a cabo todos los trabajos personalmente.

El propietario del dispositivo motorizado deberá responder por:

- Los desperfectos causados por trabajos de mantenimiento y reparación no realizados por un experto, o a su debido tiempo
- Los daños indirectos, incluida la corrosión, derivados de no haber guardado el aparato adecuadamente.

		Una vez cada 5 horas de trabajo	Antes y durante la operación	Cada semana	Cada 50 h de funcionamiento	Cada 100 h de funcionamiento	Cuando sea necesario	Al poner en marcha después de la tiempo sin utilización / anualmente
 Aberturas de enfriamiento de aire en la carcasa de arranque	Limpiar		X				X	
 Carburante → Cap. 8.3, página 32	Comprobar en vacío		X					
	Ajuste marcha en vacío (tornillo "T")						X	
	Ajuste del carburador (tornillo "L"/"H") (sólo para talleres)						X	
 Filtro de aire → Cap. 8.4, página 33	Vaciado intermedio del filtro de aire		X				X	
	Limpiar el filtro de aire a fondo			X			X	
	Cambiar						X	
 Filtro de la tubería de alimentación de agua → Cap. 8.2, página 32	Limpiar			X			X	
 Bujía de encendido → Cap. 8.5, página 35	Compruebe la estanqueidad del cable de ignición de la bujía y el zócalo		X				X	
	Compruebe la distancia entre los electrones y reajústela si fuese necesario				X			X
	Cambiar					X	X	
 Todos los tornillos que pueden alcanzarse (a excepción de los tornillos ajuste)	Apretar	X					X	X
Piezas de control (botón/interruptor de parada, palanca del acelerador, bloqueo del acelerador, encendido)	Compruebe funcionamiento		X					
 Dispositivo motorizado completo	Inspección visual de estado		X					
	• Compruebe el disco de corte y el silenciador cuanto a daños							
	• Compruebe la estanqueidad de la tapa del tanque							
	• Compruebe la correa acanalada → Cap. 5.6, página 21		X					
	Limpiar			X			X	X

Además, en el marco del servicio anual de clientes se deben solicitar los siguientes servicios a un taller especializado autorizado por el fabricante:

- Verificación completa de la unidad de motor completo
- Limpieza profesional del motor (tanque de combustible, aletas del cilindro, ...)
- Inspección y posible sustitución de las piezas de desgaste, sobre todo cambio anual del filtro de combustible
- Ajuste óptimo del carburador

8.9 Sugerencias de autoayuda

Posible funcionamiento incorrecto:



- El motor no arranca
 - Interruptor de parada giratorio
 - Poner el interruptor de parada giratorio en la posición "1" → cap. 6.1, página 25
 - Bujía de encendido
 - Limpiar y sustituir → cap. 8.5, página 35
 - Combustible viejo
 - Vaciar el tanque y limpiarlo, llenarlo con combustible nuevo → cap. 5.5, página 19
- El disco de corte no se acelera adecuadamente
 - Cuerpos extraños dentro de la cubierta protectora
 - Limpiar la tapa de protección → cap. 8.1, página 31
 - Tensión de la correa acanalada es demasiado baja
 - Ajustar correctamente la tensión de la correa acanalada → cap. 5.6, página 21
- El disco de corte se acciona en ralentí
 - Tornillo en "T" ralentí
 - Ajustar correctamente el tornillo en "T" ralentí → cap. 8.3, página 32
 - Embrague defectuoso
 - Taller de servicio
- Rendimiento bajo del motor
 - Filtro de aire obstruido
 - Limpiar muy bien el filtro de aire → cap. 8.4, página 33
 - Ajustes del carburador (ajustes L/H)
 - Taller de servicio
- Agua insuficiente o inexistente en el corte húmedo
 - Palanca de la válvula de la línea de suministro de agua no está abierta
 - Abrir la palanca de válvulas → cap. 5.7, página 21
 - Conexión del suministro de agua está cerrado
 - Suministro de agua abierta
 - Tanque de presión del suministro de agua vacío o sin presión
 - Completar con el suministro de agua o restaurar la presión
 - Filtro sucio
 - Limpiar muy bien el filtro → cap. 8.2, página 32
- Cambios en los niveles de ruido y el motor no alcanza alta velocidad (sólo para los modelos CP512-300i y CP514-350i)
 - No hay suficiente aceite en el tanque de aceite del motor
 - Llenar con aceite de motor → cap. 5.5, página 19

8.10 Puesta fuera de servicio y almacenamiento

Antes de la puesta fuera de servicio y almacenamiento del dispositivo motorizado este debe limpiarse a fondo y comprobar si hay daños.

Limpieza y conservación: → Cap. 8.1, página 31

Guarde siempre el dispositivo motorizado en un lugar seco. No debe haber fuegos abiertos o similares cerca. Debe evitarse el uso no autorizado, especialmente por parte de los niños.

Antes de un almacenamiento prolongado (más de 4 semanas), se deben vaciar y limpiar los depósitos de material de consumo en un lugar bien ventilado. Arrancar el motor con un tanque de combustible vacío y vaciar el carburador hasta que el motor se detenga. De lo contrario podrían obstruir los restos de aceite de la mezcla del combustible los inyectores del carburador y dificultar un arranque posterior.

9 Garantía

El fabricante garantiza la más alta calidad y cubrirá los gastos derivados de mejoras al cambiar las piezas defectuosas en el caso de defectos del material o de fabricación que surjan después del día de adquisición del aparato, durante el periodo de garantía. Tenga en cuenta que en algunos países rigen condiciones de garantía específicas. En caso de tener dudas. Como distribuidor del producto, será el responsable de la garantía correspondiente.

Comprenda que la garantía del fabricante no será válida para daños en los siguientes casos:

- No hacer caso a las indicaciones dadas en el manual de instrucciones.
- No se realicen los trabajos de mantenimiento y limpieza necesarios.
- Se originen daños debidos a un ajuste inadecuado del carburador.
- Se ocasione un desgaste derivado del uso normal del aparato.
- Se produzca un exceso de uso manifiesto del aparato por haberlo utilizado de forma continuada sobrepasando el límite superior de potencia.
- Se utilicen herramientas de trabajo no autorizadas.
- Se haga uso de la fuerza, manipulación inadecuada, uso para fines inadecuados o accidente.
- Se ocasionen daños provocados por el recalentamiento debido a la suciedad acumulada en la carcasa del ventilador.
- Reparación por personal no autorizado.
- Se utilicen piezas de recambio no adecuadas o no originales, siempre que estas hayan provocado los desperfectos.
- Se usen combustibles no adecuados o mezclados entre sí.
- Se ocasionen daños debidos a condiciones de uso derivados del alquiler.

Los trabajos de limpieza, conservación y ajuste no están incluido en la garantía.

Los servicios de garantía se deben solicitar a un taller especializado autorizado por el fabricante.

10 Piezas de desgaste

Varios componentes están sujetos a desgaste específico o desgaste normal y pueden necesitar ser reemplazados en el tiempo. Las siguientes piezas no están incluidas en la garantía del fabricante:

- Materiales de consumo
- Filtro de aire
- Filtro de combustible
- Acoplamiento
- Bujía de encendido
- Dispositivo de cebado
- Disco de corte

11 Declaración de garantía de controles de emisiones

11.1 Sus derechos y obligaciones respecto a la garantía

La EPA (Agencia de Protección Ambiental de Estados Unidos) y Saint-Gobain Abrasives, Inc. se complacen en explicar la garantía del sistema de control de emisiones de su motor pequeño no destinado al transporte de 2013 o posterior. En los Estados Unidos, todos los motores pequeños no destinados al transporte deben diseñarse, ensamblarse y equiparse al momento de la venta, de modo que cumplan los reglamentos de la EPA de Estados Unidos respecto a dicho tipo de motor. El motor debe estar libre de defectos en los materiales y en la mano de obra que pudieran ocasionar que deje de cumplir los reglamentos y las normas de la EPA de Estados Unidos durante los primeros dos (2) años de uso a partir de la fecha de venta al consumidor final. Saint-Gobain Abrasives, Inc. debe garantizar el sistema de control de emisiones de su motor pequeño no destinado al transporte por el período de tiempo mencionado más abajo, siempre y cuando no haya habido abuso, negligencia o mantenimiento indebido en dicho motor. El sistema de control de emisiones incluye piezas tales como el carburador y el sistema de arranque. La garantía de emisiones podría también incluir mangueras, conectores y otros componentes relacionados con las emisiones. Donde exista una condición que no pueda garantizarse, Saint-Gobain Abrasives, Inc. reparará su motor pequeño no destinado al transporte sin costo alguno para usted. Los gastos cubiertos bajo la garantía incluyen el diagnóstico, las piezas y la mano de obra.

11.2 Cobertura de garantía del fabricante

Los motores pequeños no destinados al transporte de 2013 o posteriores tienen una garantía de dos (2) años. Si cualquier pieza del motor relacionada con emisiones (como se menciona anteriormente) está defectuosa, la misma será reparada o reemplazada por Saint-Gobain Abrasives, Inc. sin cargo alguno.

11.3 Garantía y responsabilidades del propietario

En calidad de propietario del motor pequeño no destinado al transporte, usted es responsable de realizar el mantenimiento requerido que se menciona en el Manual del operador. Saint-Gobain Abrasives, Inc. recomienda que conserve todos los recibos que cubran el mantenimiento del motor pequeño no destinado al transporte, aunque Saint-Gobain Abrasives, Inc. no puede negar la garantía por el puro hecho de que no se presenten recibos o de que usted no se asegure de realizar todo el mantenimiento programado. Sin embargo, como propietario del motor pequeño no destinado al transporte, usted debe tener en cuenta que Saint-Gobain Abrasives, Inc. podría negarle la cobertura de garantía si dicho motor o alguna parte de él ha dejado de funcionar a causa de abuso, negligencia, mantenimiento indebido, modificaciones no aprobadas o uso de piezas no hechas o no autorizadas por el fabricante original del equipo. Usted tiene la responsabilidad de llevar el motor pequeño no destinado al transporte a un centro de servicio autorizado por Saint-Gobain Abrasives, Inc. en cuanto se presente cualquier problema. Las reparaciones según garantía deben completarse dentro de un lapso de tiempo razonable que no sobrepase los 30 días. Si tiene alguna duda en cuanto a sus derechos y responsabilidades respecto a la garantía.

11.4 Cobertura ofrecida por Saint-Gobain Abrasives, Inc.

Saint-Gobain Abrasives, Inc. garantiza al comprador final y a todo comprador subsiguiente que el motor pequeño no destinado al transporte se diseñará, se ensamblará y se equipará al momento de la venta de modo que cumpla todos los reglamentos y las normas de emisiones de la EPA de Estados Unidos que correspondan. Saint-Gobain Abrasives, Inc. también garantiza al comprador final y a todo comprador subsiguiente que el motor está libre de defectos en los materiales, en el diseño y en la mano de obra que pudieran ocasionar que el motor deje de funcionar de conformidad con las emisiones establecidas por la EPA de Estados Unidos durante un período de tiempo de dos (2) años.

11.5 Período de garantía

Si se descubre que alguno de los componentes relacionados con las emisiones está defectuoso durante el período de garantía de emisiones, Saint-Gobain Abrasives, Inc. reemplazará esa pieza sin cargo alguno para el propietario. El período de garantía comienza en la fecha en que se entregue el motor pequeño no destinado al transporte. Cualquier pieza bajo garantía que no se programe para el reemplazo como parte del mantenimiento requerido, o bien, que se programe solo para la inspección regular con fines de “reparación o reemplazo como sea necesario”, tendrá una garantía de dos (2) años. Cualquier pieza bajo garantía que se programe para el reemplazo como parte del mantenimiento requerido tendrá garantía durante el período de tiempo hasta el primer punto de reemplazo programado de esa pieza.

11.6 Duración de la cobertura

Saint-Gobain Abrasives, Inc. garantiza al comprador final y a todo comprador subsiguiente que el motor está libre de defectos en los materiales y en la mano de obra que pudieran ocasionar que el motor deje de funcionar durante un período de tiempo de dos (2) años.

11.7 Ámbito de cobertura

Se realizará la reparación o el reemplazo de cualquier pieza bajo garantía relacionada con emisiones sin cargo alguno para el propietario por medio de un centro de servicio aprobado por Saint-Gobain Abrasives, Inc. Si tiene alguna duda en cuanto a sus derechos y responsabilidades respecto a la garantía.

La lista siguiente incluye las piezas cubiertas por la garantía de defectos en componentes relacionados con emisiones.

Algunas de las piezas de la lista podrían requerir mantenimiento programado y se garantizan hasta el primer punto de reemplazo programado de la pieza correspondiente.

- Sistema de medición de combustible
 - Carburador y piezas internas
 - Filtro de combustible, si corresponde
 - Control de aceleración, si corresponde
 - Sistema ahogador, si corresponde
- Sistema de inducción de aire
 - Placa de limpiador de aire, filtro de aire
 - Caja de limpiador de aire, colector de admisión
- Sistema de arranque
 - Bujías
 - Volante magnético
 - Bobina de arranque
- Diversos elementos utilizados en los sistemas anteriores
 - Mangueras de combustible
 - Pinzas y juntas de sellado

11.8 Diagnóstico

No se cobrará al propietario por la mano de obra de diagnóstico que conduzca a la determinación de que la pieza bajo garantía está defectuosa, siempre y cuando se realice el diagnóstico por medio de un centro de servicio aprobado por Saint-Gobain Abrasives, Inc. No obstante, si se presenta un reclamo de garantía y se prueba que la máquina no está defectuosa, Saint-Gobain Abrasives, Inc. le cobrará a usted por el costo de la prueba de emisiones. El diagnóstico mecánico se realizará mediante un centro de servicio autorizado por Saint-Gobain Abrasives, Inc. La prueba de emisiones se puede efectuar en Saint-Gobain Abrasives, Inc. o en cualquier laboratorio de pruebas de emisiones independiente.

11.9 Daños indirectos

Saint-Gobain Abrasives, Inc. podría ser responsable de los daños ocasionados en otros componentes del motor a causa de la falla de alguna pieza que aún esté bajo garantía.

11.10 Limitaciones

No se cubre ninguna falla que sea ocasionada por abuso, mantenimiento indebido o negligencia. Tampoco se cubren las reparaciones o los reemplazos que no se apeguen a las especificaciones de Saint-Gobain Abrasives, Inc. que tienen incidencia sobre el desempeño o la durabilidad, u otras modificaciones no aprobadas por escrito por Saint-Gobain Abrasives, Inc. Saint-Gobain Abrasives, Inc. no será responsable por fallas en los componentes bajo garantía relacionados con emisiones, que hayan sido ocasionadas por el uso de piezas añadidas o modificadas.

11.11 Cómo presentar un reclamo

Lleve el producto a cualquier centro de servicio autorizado por Saint-Gobain Abrasives, Inc. junto con el comprobante de compra. Si tiene alguna duda en cuanto a cómo presentar un reclamo de garantía de emisiones o respecto a los derechos de garantía.

11.12 Declaración de mantenimiento

El propietario de este producto es responsable de todo el mantenimiento que se requiere, tal como se estipula en el manual de operación.

TO PURCHASE THIS PRODUCT PLEASE CONTACT US



**Equipment Financing and
Extended Warranties Available**



**Discount-Equipment.com is your online resource for
commercial and industrial quality parts and equipment sales.**

561-964-4949

visit us on line @ www.discount-equipment.com

Select an option below to find your Equipment

Search by Manufacturer

Search by Product Type

Request a Quote

We sell worldwide for the brands: Genie, Terex, JLG, MultiQuip, Mikasa, Essick, Whiteman, Mayco, Toro Stone, Diamond Products, Generac Magnum, Airman, Haulotte, Barreto, Power Blanket, Nifty Lift, Atlas Copco, Chicago Pneumatic, Allmand, Miller Curber, Skyjack, Lull, Skytrak, Tsurumi, Husquvarna Target, Stow, Wacker, Sakai, Mi-T-M, Sullair, Basic, Dynapac, MBW, Weber, Bartell, Bennar Newman, Haulotte, Ditch Runner, Menegotti, Morrison, Contec, Buddy, Crown, Edco, Wyco, Bomag, Laymor, EZ Trench, Bil-Jax, F.S. Curtis, Gehl Pavers, Heli, Honda, ICS/PowerGrit, IHI, Partner, Imer, Clipper, MMD, Koshin, Rice, CH&E, General Equipment, Amida, Coleman, NAC, Gradall, Square Shooter, Kent, Stanley, Tamco, Toku, Hatz, Kohler, Robin, Wisconsin, Northrock, Oztec, Toker TK, Rol-Air, APT, Wylie, Ingersoll Rand / Doosan, Innovatech, Con X, Ammann, Mecalac, Makinex, Smith Surface Prep, Small Line, Wanco, Yanmar