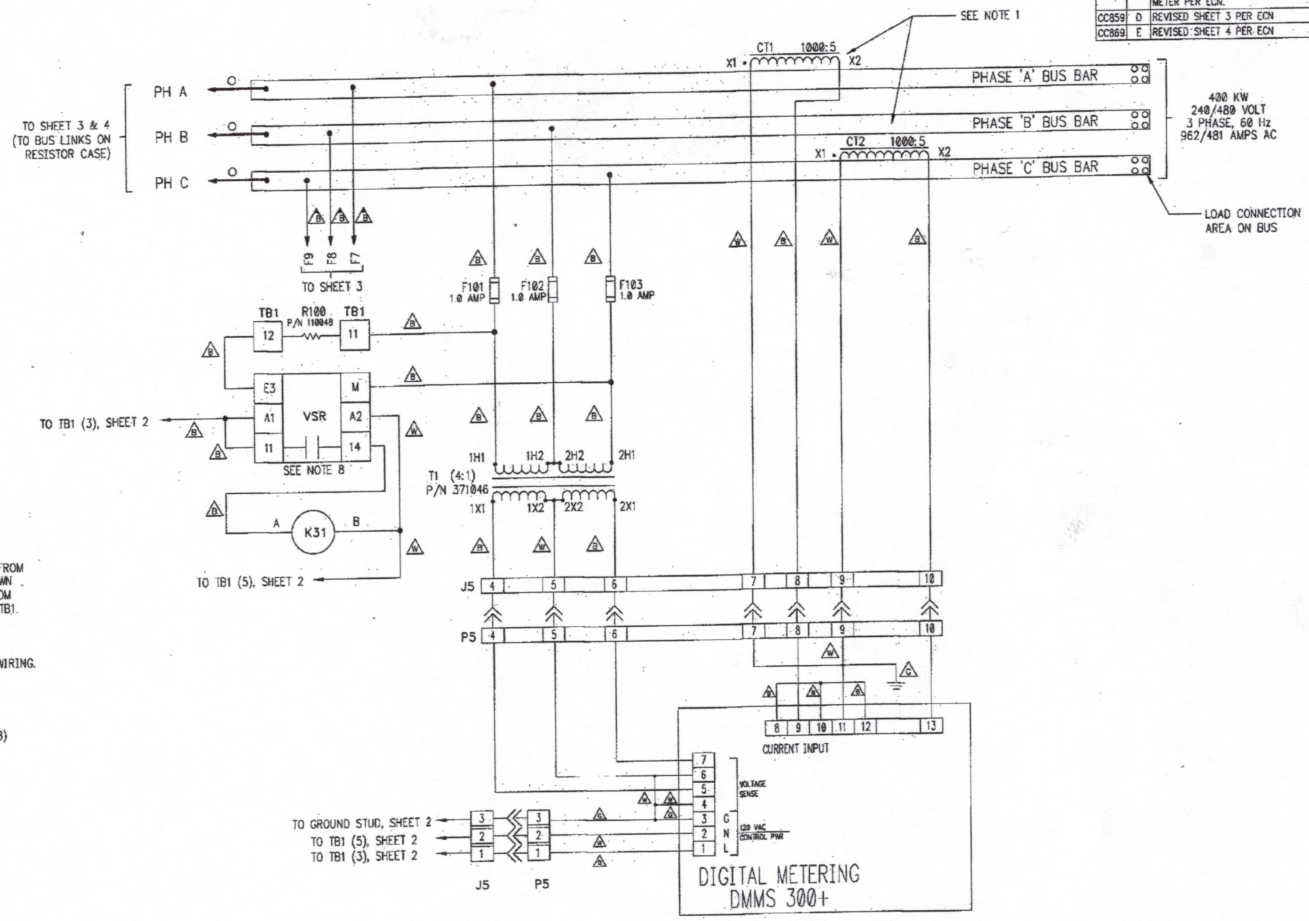


REVISIONS				
ECN NO	REV	DESCRIPTION	DATE	APPROVED
CC127	A	REVISED PER ECM. ALSO SEE SHEET 2.	J.FLAUTO 4/7/00	J.JEMERY
CC227	B	REVISED PER ECM. ALSO SEE SHEET 3.	FAKELMANN 7/11/00	J.HUDSON
CC347	C	REVISED WIRING FROM CT1 & CT2 TO DIGITAL METER PER ECM.	J.FLAUTO 10-1-00	J.HUDSON
CC859	D	REVISED SHEET 3 PER ECM	FAKELMANN 10/19/01	D.KOZAR
CC889	E	REVISED SHEET 4 PER ECM	FAKELMANN 11/16/01	D.KOZAR



- 8- PRESET VOLTAGE SENSE RELAY (VSR) TO 270V BUS VOLTS, 0% HYS.
- 7- OPTION #1 NOTE- IF OPTION #1 IS ADDED, REMOVE S1 FROM CONTROL PANEL, ADD COMPONENTS AND WIRING AS SHOWN IN BLOCK ON SHEET 3. ADD A 16 AWG BLACK WIRE FROM TB1 (3) TO TB1 (4) AND REMOVE LINE CORD (P1) FROM TB1.
- 6- - - - LINES INDICATE CUSTOMER WIRING.
- 5- - - - DASHED LINES INDICATE OPTIONAL EQUIPMENT WIRING.
- 4- - - -
- 3- WIRE LEGEND: (WIRE CODE TYPICAL FOR ALL SHEETS) ALL UNMARKED WIRE TO BE BLACK #16 AWG (P/N 390008)
- ▲ INDICATES WIRE TO BE BLACK #16 AWG (PN 390008)
 - ▲ INDICATES WIRE TO BE WHITE #16 AWG (PN 390008)
 - ▲ INDICATES WIRE TO BE GREEN #16 AWG (PN 390008)
 - INDICATES WIRE TO BE BLACK #14 AWG (PN 390011)
 - ▲ INDICATES WIRE TO BE BLACK #12 AWG (PN 390014)
 - ◇ INDICATES WIRE TO BE BLACK #8 AWG (PN 390322)
 - ◇ INDICATES WIRE TO BE BLACK #6 AWG (PN 390323)
 - ◇ INDICATES WIRE TO BE BLACK #2 AWG (PN 390325)
 - INDICATES WIRE TO BE BLACK #22 AWG (PN 390001)
 - INDICATES WIRE TO BE WHITE #22 AWG (PN 390001)
 - INDICATES WIRE TO BE BLACK #4/0 AWG (PN 390305) FOUR (4) WIRES IN PARALLEL.

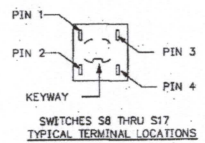
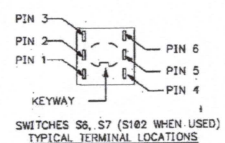
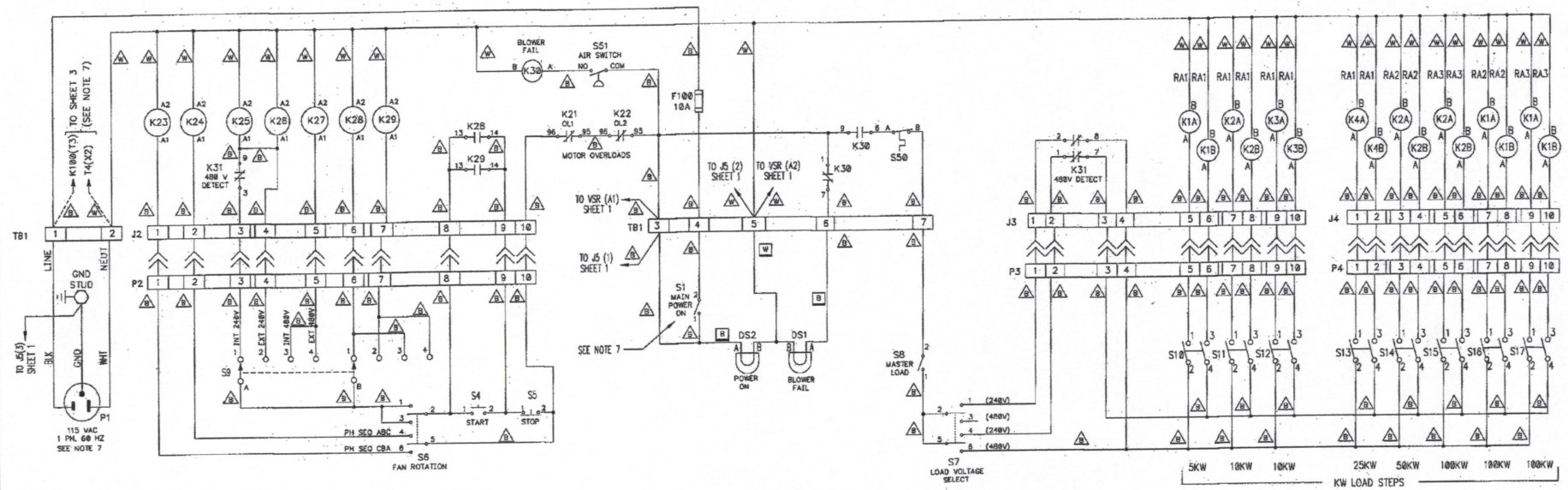
- 2- DO NOT RUN POWER WIRING IN THE SAME BUNDLE AS CONTROL PANEL WIRING.
- 1- CT1 & CT2 LEADS SHOULD BE THE SAME LENGTH.

THIS DOCUMENT CONTAINS PROPRIETARY INFORMATION OF AVTRON MFG., INC. AND MAY NOT BE DISCLOSED TO OTHERS OR USED FOR MANUFACTURING PURPOSES WITHOUT THE WRITTEN CONSENT OF AVTRON MFG.

UNLESS OTHERWISE SPECIFIED DIMENSIONS ARE IN INCHES		DRAWN	DATE	AVTRON MANUFACTURING INC.		798 E. PLEASANT VALLEY ROAD INDUENCO, OH 44131-5020
TOLERANCES:	DECIMALS .004"	CREATED	J.FLAUTO 1-24-00	SCHEMATIC/INTERCONNECTION		IMP
	ANGLES ±1°	ENG. REV.	J.FLAUTO 1-25-00	DIAGRAM, LOAD BANK		SP
	FINISH	APP'D PROJ.	JEMERY 1-26-00	(480KW @ 240/480V, 3PH)		PSF
	PLATE PER PS		ZIMMERMAN 1/27/00			□
	COAT PER PS					
	ANODIZED PER					
	OTHER					
D30693-1	D30693-1	SCALE	MODEL	LPH 400	DWG. NO.	D30695
NEXT ASSY	USED ON				SITE	01014
APPLICATION					REV	E
					SHEET 1 OF 4	
					SIMILAR TO D30676	

UNLESS OTHERWISE SPECIFIED THE ABOVE NOTES APPLY

REV. NO.		REV.		DESCRIPTION	DATE	APPROVED
CC127	A	ADDED	"TO JS(3)"	TO GND STUD. "C" WAS "A"	4/7/80	JEMERY
		ON TB1	(S)			



SEE SHEET 1 FOR WIRE CODE AND NOTES.
UNLESS OTHERWISE SPECIFIED THE ABOVE NOTES APPLY

AVTRON MANUFACTURING INC.
2000 CRESTVIEW VALLEY ROAD
SHEPHERDSVILLE, KY 40363-2800

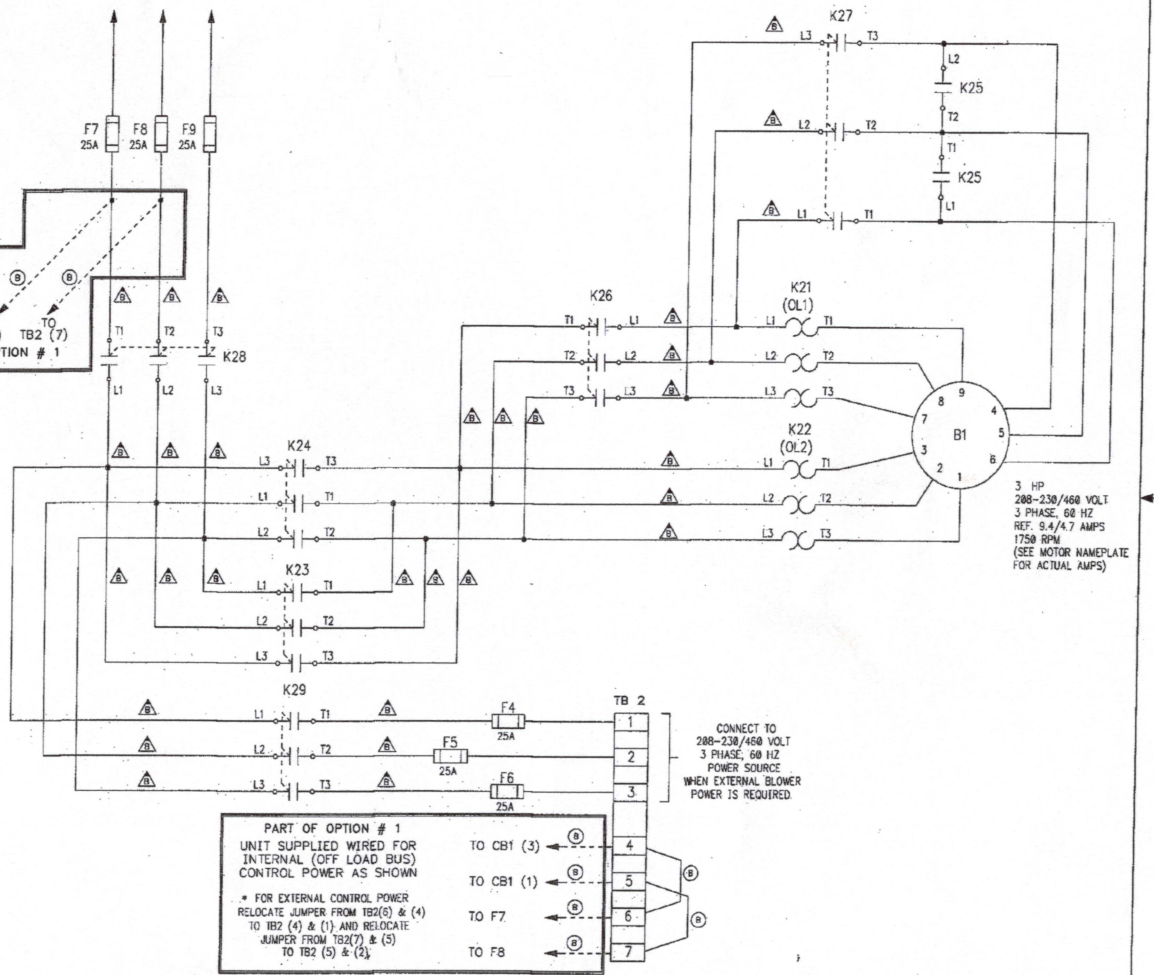
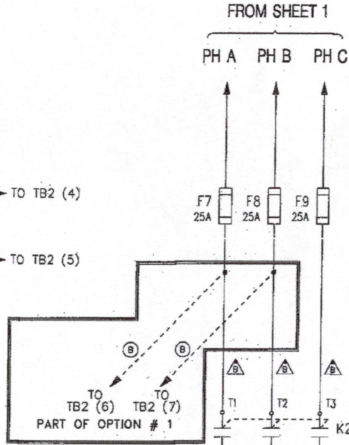
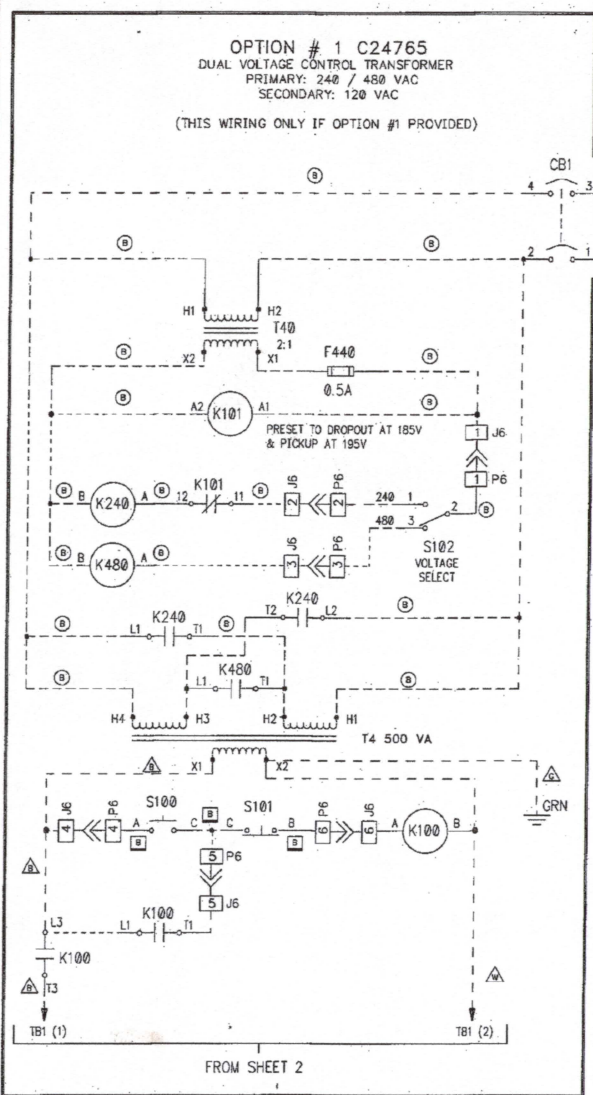
THIS DOCUMENT CONTAINS PROPRIETARY INFORMATION OF AVTRON MFG., INC. AND MAY NOT BE DISCLOSED TO OTHERS OR USED FOR MANUFACTURING PURPOSES WITHOUT THE WRITTEN CONSENT OF AVTRON MFG.

SCHEMATIC/INTERCONNECTION DIAGRAM, LOAD BANK
(400KW @ 240/480V, 3PH)

SIZE: D ICODE NO: 01014 DWG NO: D30695 REV: E

SCALE: 1/1 MODEL: LPH 400 SHEET: 2

ECN NO.	REV	DESCRIPTION	DATE	APPROVED
CC227	B	ADDED C24765 NEXT TO OPTION A	7/11/80	J.H.L.D.S.O.N
CC269	D	REVISED OPTION A PER ECN	10/19/81	D.KOZAR



SEE SHEET 1 FOR WIRE CODE AND NOTES.
 UNLESS OTHERWISE SPECIFIED THE ABOVE NOTES APPLY

AVTRON MANUFACTURING INC.
 THE EXCELLENT QUALITY BRAND
 EQUIPMENT OF THE WORLD

THIS DOCUMENT CONTAINS PROPRIETARY INFORMATION OF AVTRON MFG. INC. AND MAY NOT BE DISCLOSED TO OTHERS OR USED FOR MANUFACTURING PURPOSES WITHOUT THE WRITTEN CONSENT OF AVTRON MFG.

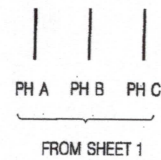
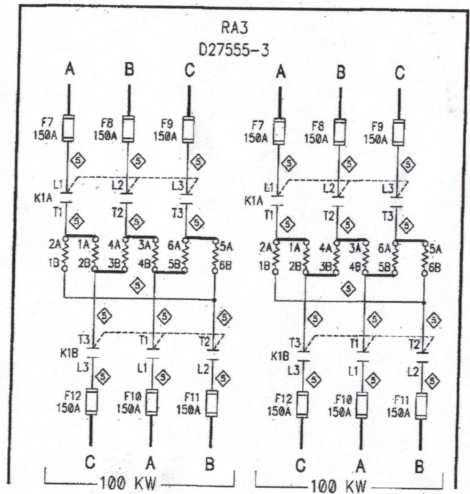
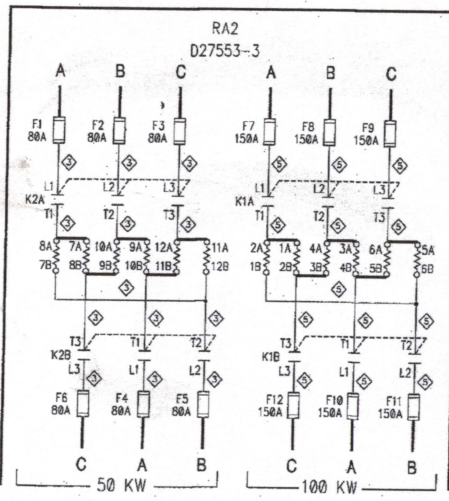
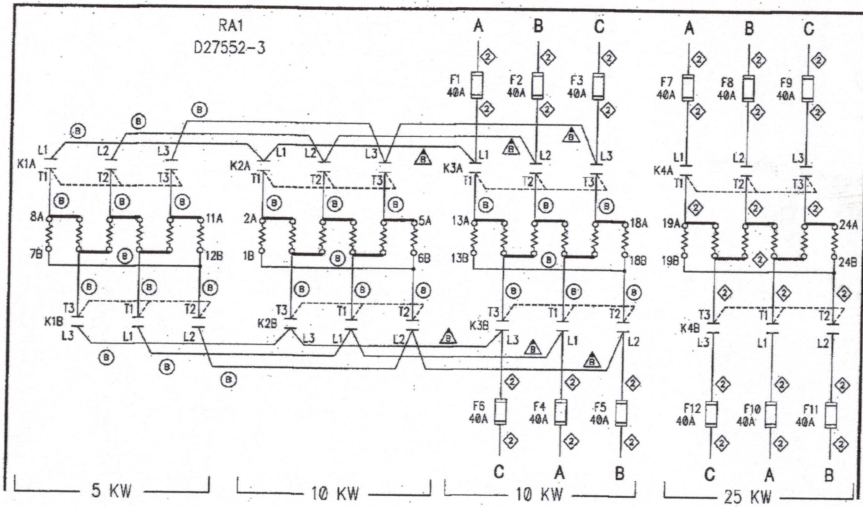
SCALE: NONE MODEL: LPH 400 SHEET: 3

SCHMATIC/INTERCONNECTION
 DIAGRAM, LOAD BANK
 (400KW @ 240/480V, 3PH)

SIZE: D CASE NO: 01014 DWG. NO: D30695 REV: F

SIMILAR TO D26598 SHTS

REV		REVISIONS		DATE	APPROVED
NO.	BY	DESCRIPTION			
CC869	E	REV PER ECN	FACKELMANN	11/16/01	D.KOZAR



SEE SHEET 1 FOR WIRE CODE AND NOTES.
UNLESS OTHERWISE SPECIFIED THE ABOVE NOTES APPLY.

 <small>THIS ELEMENT VALUE RANGE INDEPENDENT OF 443-3333</small>	SCHEMATIC/INTERCONNECTION DIAGRAM, LOAD BANK (400KW @ 240/480V, 3PH)		
	<small>THIS DOCUMENT CONTAINS PROPRIETARY INFORMATION OF AVTRON MFG. INC. AND MAY NOT BE DISCLOSED TO OTHERS OR USED FOR MANUFACTURING PURPOSES WITHOUT THE WRITTEN CONSENT OF AVTRON MFG.</small>	<small>SIZE</small> D	<small>CAGE NO.</small> 01014
<small>SCALE NONE</small>		<small>MODEL</small> LPH 400	<small>REV</small> E
			<small>SHEET</small> 4