

THE
BARRETO

MODEL 825TKL TRACK LOADER
HYDRAULIC TRACK LOADER
EXPLODED VIEWS WITH PART NUMBERS

CONGRATULATIONS!

You are now the proud owner of the BARRETO Track Loader. The following pages have detailed views of the 825TKL Track Loader, along with corresponding part numbers. If you have any questions or need any replacement parts in the future, please contact us at your convenience. Our toll-free phone number, fax and email are listed below, and parts may be ordered through any of these methods.

THANK YOU for your patronage and confidence in BARRETO equipment.

Barreto Manufacturing, Inc.
Innovative Equipment Engineered to Last

Machine Identification Record

Machine model number _____

Machine serial number _____

Engine manufacturer _____

Engine model number _____

Engine serial number _____



www.discount-equipment.com

PARTS FINDER

**Search Website
by Part Number**



**Search Manual
Library For Parts
Manual & Lookup Part
Numbers – Purchase
or Request Quote**

Search Manuals

Enter your information to help us find the right parts manual for your equipment.

* Brand:

* Model:

* Serial:

* Part Number:

SEARCH

**Can't Find Part or
Manual? Request Help
by Manufacturer,
Model & Description**

Parts Order Form

Please fill in the following information to help us find the right part for your equipment.

Manufacturer:	<input type="text"/>
Model:	<input type="text"/>
Description:	<input type="text"/>
Part Number:	<input type="text"/>
Quantity:	<input type="text"/>
Notes:	<input type="text"/>

Submit

Discount-Equipment.com is your online resource for quality parts & equipment.

Florida: **561-964-4949** Outside Florida TOLL FREE: **877-690-3101**

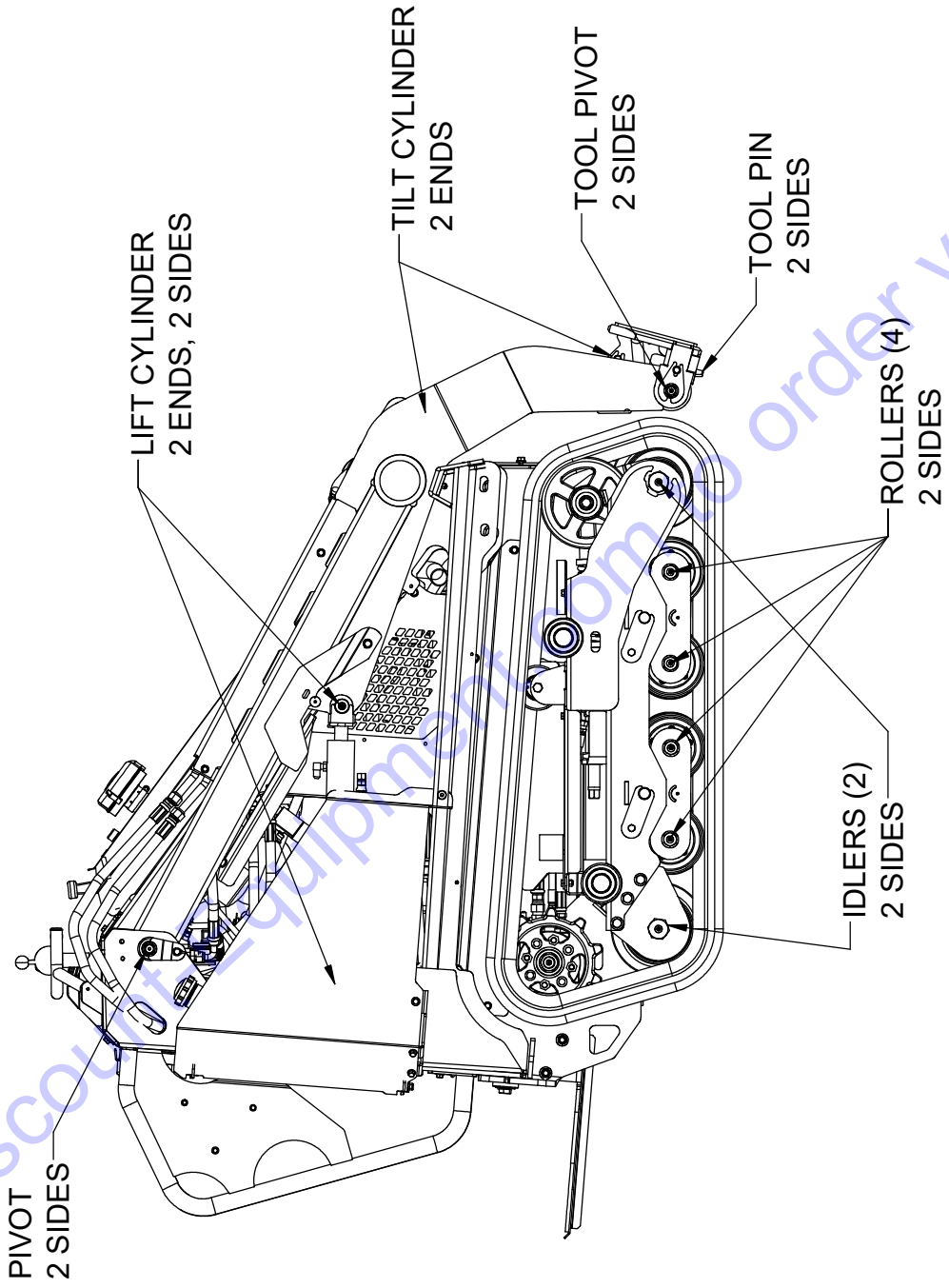
Need parts?

Click on this link: <http://www.discount-equipment.com/category/5443-parts/> and choose one of the options to help get the right parts and equipment you are looking for. Please have the machine model and serial number available in order to help us get you the correct parts. If you don't find the part on the website or on one of the online manuals, please fill out the request form and one of our experienced staff members will get back to you with a quote for the right part that your machine needs.

We sell worldwide for the brands: Genie, Terex, JLG, MultiQuip, Mikasa, Essick, Whiteman, Mayco, Toro Stone, Diamond Products, Generac Magnum, Airman, Haulotte, Barreto, Power Blanket, Nifty Lift, Atlas Copco, Chicago Pneumatic, Allmand, Miller Curber, Skyjack, Lull, Skytrak, Tsurumi, Husquvarna Target, Stow, Wacker, Sakai, Mi-T-M, Sullair, Basic, Dynapac, MBW, Weber, Bartell, Bennar Newman, Haulotte, Ditch Runner, Menegotti, Morrison, Contec, Buddy, Crown, Edco, Wyco, Bomag, Laymor, EZ Trench, Bil-Jax, F.S. Curtis, Gehl Pavers, Heli, Honda, ICS/PowerGrit, IHI, Partner, Imer, Clipper, MMD, Koshin, Rice, CH&E, General Equipment, Amida, Coleman, NAC, Gradall, Square Shooter, Kent, Stanley, Tamco, Toku, Hatz, Kohler, Robin, Wisconsin, Northrock, Oztec, Toker TK, Rol-Air, APT, Wylie, Ingersoll Rand / Doosan, Innovatech, Con X, Ammann, Mecalac, Makinex, Smith Surface Prep, Small Line, Wanco, Yanmar

RELEASE DATE	XXXXXXXXXX
REVISED DATE	NEW
REVISION #	0

GREASE POINTS, EVERY 10 HOURS OPERATION



BARRETO

TITLE: _____

PRODUCT LINE: _____

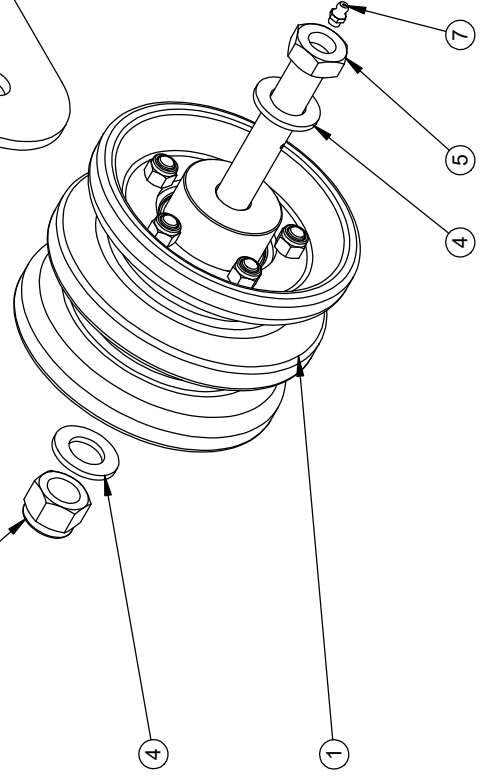
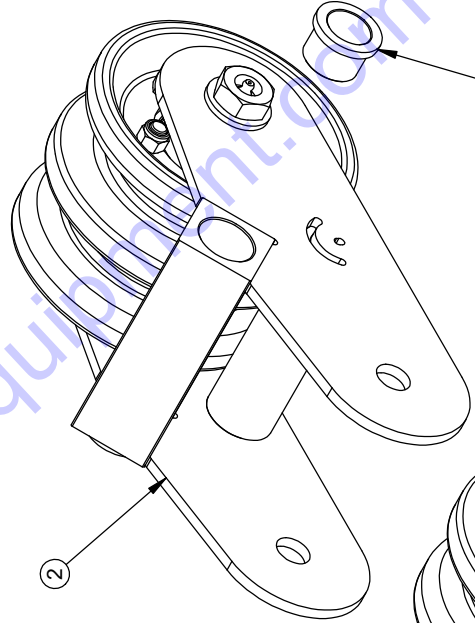
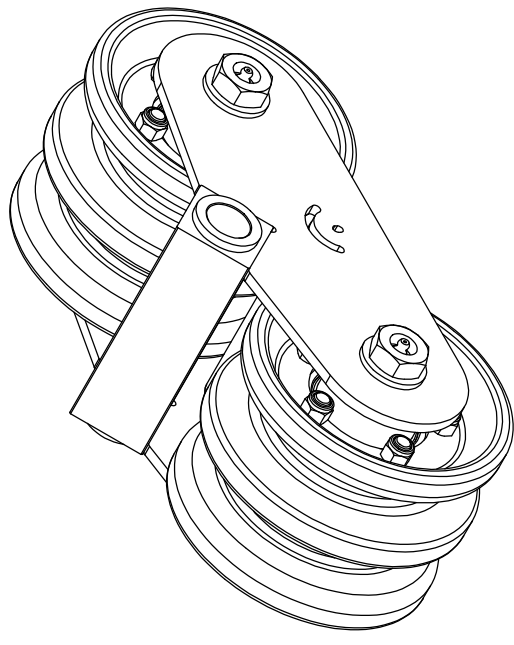
SCALE: 1:16

SHEET 1 OF 1

DWG# 25MTL-GREASE

Go to DiscoverEquip.com to order your parts

ITEM NO.	QTY.	PART NO.	DESCRIPTION
1	2	00552	ROLLER ASSEMBLY
2	1	13174	ROLLER CARRIAGE
3	2	10282	BUSHING, IGUS MFI-1620-16
4	4	05157	WASHER, 3/4 SAE ZINC A325 HARDENED
5	2	05388-M	HH CAP SCREW, 3/4-16 NF X 6-1/2 G5 ZINC
6	2	05321	NUT, NYLOCK, 3/4-16 NF ZINC
7	2	05044	GREASE ZERK, 1/4-28 UNF



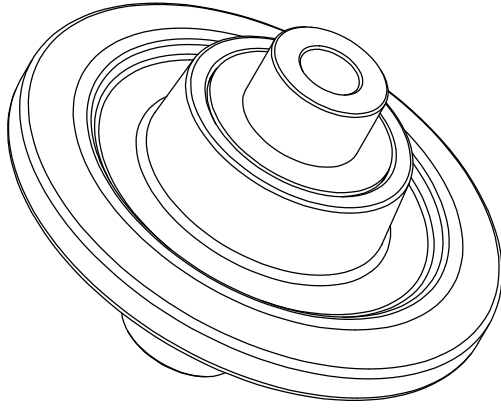
BARRETO

TITLE: ROLLER CARRIAGE ASSEMBLY

PRODUCT LINE: MINI SKIDSTEER DATE: 7/23/15

SCALE: 1:4 SHEET 1 OF 1 DWG# 00550

ITEM NO.	QTY.	PART NO.	DESCRIPTION
1	1	12932	IDLER WHEEL
2	2	12936-1.14	OUTER SPACER
3	1	12933	IDLER BEARING SPACER
4	2	12935	BEARING SHIELD
5	2	03943-MS	BALL BEARING, 6208, 1 SHIELD
6	2	03312	O-RING, 2-028, 1-1/2 OD X 1/16 SECTION



INSTALL BEARINGS, REF. 5
WITH SEAL SHIELDS FACING OUTWARD

BARRETO

TITLE: FRONT IDLER ASSEMBLY

PRODUCT LINE: MINI SKIDSTEER DATE: 7/23/15

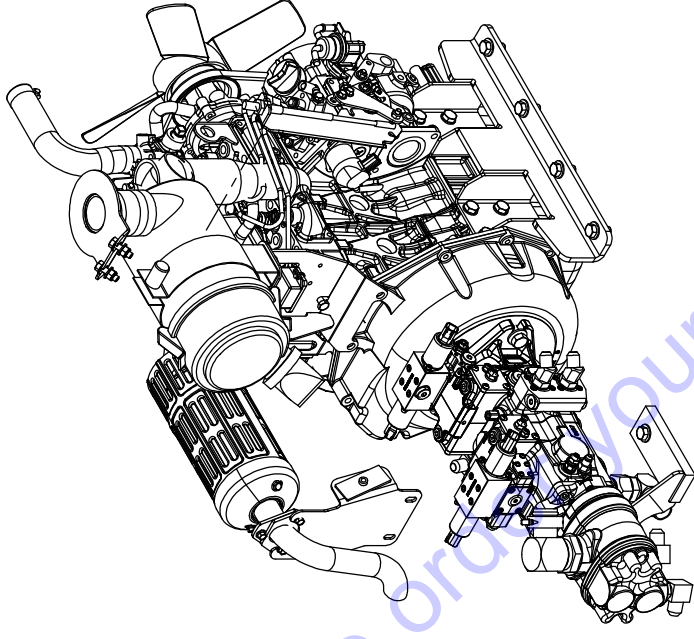
SCALE: 1:3

DWG# 00551FR

SHEET 1 OF 1

RELEASE DATE	XX/XX/XXXX
REVISED DATE	NEW
REVISION #	0

ITEM NO.	QTY.	PART NO.	DESCRIPTION	ITEM NO.	QTY.	PART NO.	DESCRIPTION
1	1	13230	ENGINE, KUBOTA	48	2	05068	WASHER, 5/16 SAE ZINC
2	1	13003	BELL HOUSING	49	2	05273	NUT, NYLOCK, 5/16-18 NC ZINC
3	1	13155	MUFFLER, KUBOTA	50	1	04560	FITTING, 6400-4-4
4	2	12938 H	ENGINE MOUNT	51	1	10361	FITTING, 6409-8 PLUG
5	6	05487	HOSE CLAMP, 1" SCREW CLAMP	52	1	14446	SENSOR MOUNT
6	1	13164	CLAMP, 1.25" ID HOSE, CTB-50 ST	53	2	05640	SHCAP SCREW, M6-1.0 X 10mm, 12.9 ZINC
7	1	04530 B	FITTING, 4601-16-12	54	1	03370	PROXIMITY SWITCH
8	1	10396	FITTING, 4601-20-20	55	3	05489	HOSE CLAMP, 2" SCREW CLAMP
9	2	04211	FITTING, 6801-8-10	56	1	05488	HOSE CLAMP, 1.5", SCREW CLAMP
10	4	12380	HH CAP SCREW, M8-1.25 X 25MM ZINC	57	1	04052	DRIVE PUMPS, HANSA
11	2	05508	FLANGE SCREW 12 PT, M10 - 1.5 X 30	58	1	14427	PUMP SUPPORT
12	4	13391	HFHS M6 - 1.0 X 8mm, C8.8 ZN	59	1	04619-M	FITTING, 6410-8-12
13	1	04554	FITTING, 6601-8-8	60	1	13292H	MUFFLER SUPPORT
14	16	05101	WASHER, 3/8 SAE ZINC	61	1	03373	INCLINOMETER, FREDERICKS
15	16	05390	HH CAP SCREW, M10-1.25 X 20mm, 8.8, ZINC	62	2	05515	SCREW, PHPP, 6-32 X 1/2 ZN
16	4	04210	FITTING, 6802-8-8	63	2	5516	NUT, NYLOCK, 6-32 NC ZINC
17	2	05063	HH CAP SCREW, 7/16-20 NF X 1-1/4 G8 ZINC				
18	1	13167	RADIATOR HOSE, TOP				
19	1	13168	RADIATOR HOSE, LOWER				
20	1	13102 R1	EXHAUST END				
21	1	13264	CABLE MOUNT				
22	1	14337-END	THROTTLE CABLE END				
23	1	03510-1	BALL JOINT HOUSING, 10-32 UNF				
24	1	13265	CABLE ARM				
25	1	03510-2	BALL JOINT STUD, 1/4-28 UNF				
26	1	05266	NUT, GRIPCO, 1/4-28 NF G5 ZINC				
27	2	05069	WHIZ-LOCK 1/4 - 20 X 5/8				
28	2	05096	NUT, NYLOCK, 1/4-20 NC ZINC				
29	1	04053	EATON PUMP 16.7+8.2				
30	3	05051	WHIZ-LOCK 1/4 - 20 X 1/2				
31	1	13230-1	REMOTE FILTER MANIFOLD				
32	1	11656	TUBE CLAMP				
33	10	05544	WASHER, 7/16 SAE ZINC				
34	8	05061	HH CAP SCREW, 7/16-20 NF X 1 G8 ZINC				
35	1	07022-5	DONALDSON FILTER ASSEMBLY				
36	1	14388H	AIR FILTER MOUNT				
37	1	14391	AIR HOSE . 2.0 TO 1.5				
38	1	14303 R1	INTAKE FLANGE				
39	4	05541	WASHER, 5/16 FENDER ZINC				
40	2	12782	HH CAP SCREW, M8-1.25 X 20MM ZINC				
41	1	13189-3	AIR SLEEVE				
42	1	13166K	MUFFLER SHIELD				
43	1	05406	HH CAP SCREW, M8-1.25 X 16MM ZINC				
44	2	05300-01	HH CAP SCREW, 1/2-13 NC X 1-1/2 G5 ZINC				
45	2	05102	WASHER, 1/2 SAE ZINC HARDENED				
46	1	04611	FITTING, 6410-8-8				
47	2	05138	HFHS 5/16-18 X 1, G5, ZN				



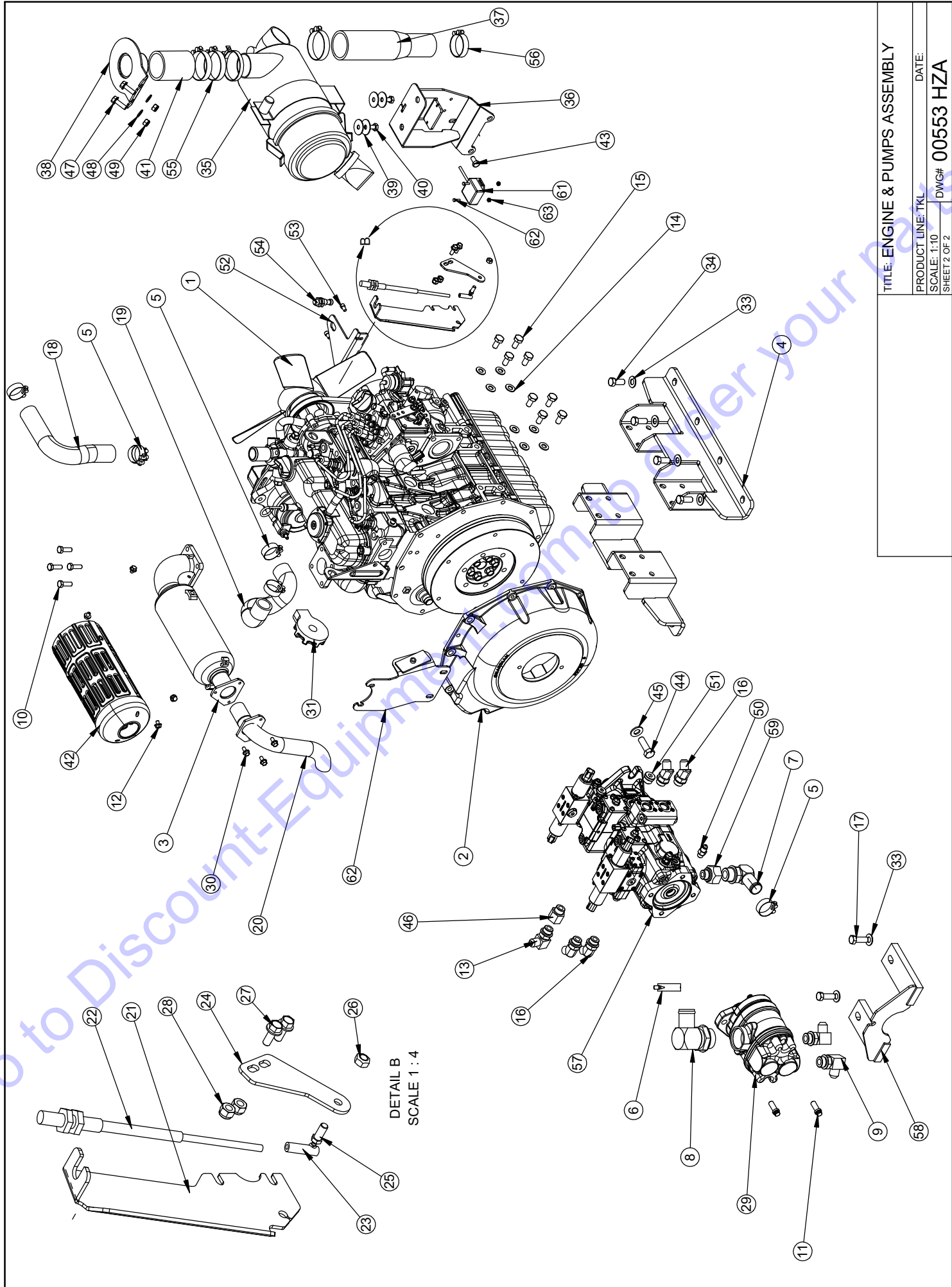
TITLE: ENGINE & PUMPS ASSEMBLY

PRODUCT LINE: MINI SKIDSTEER

SCALE: 1:10

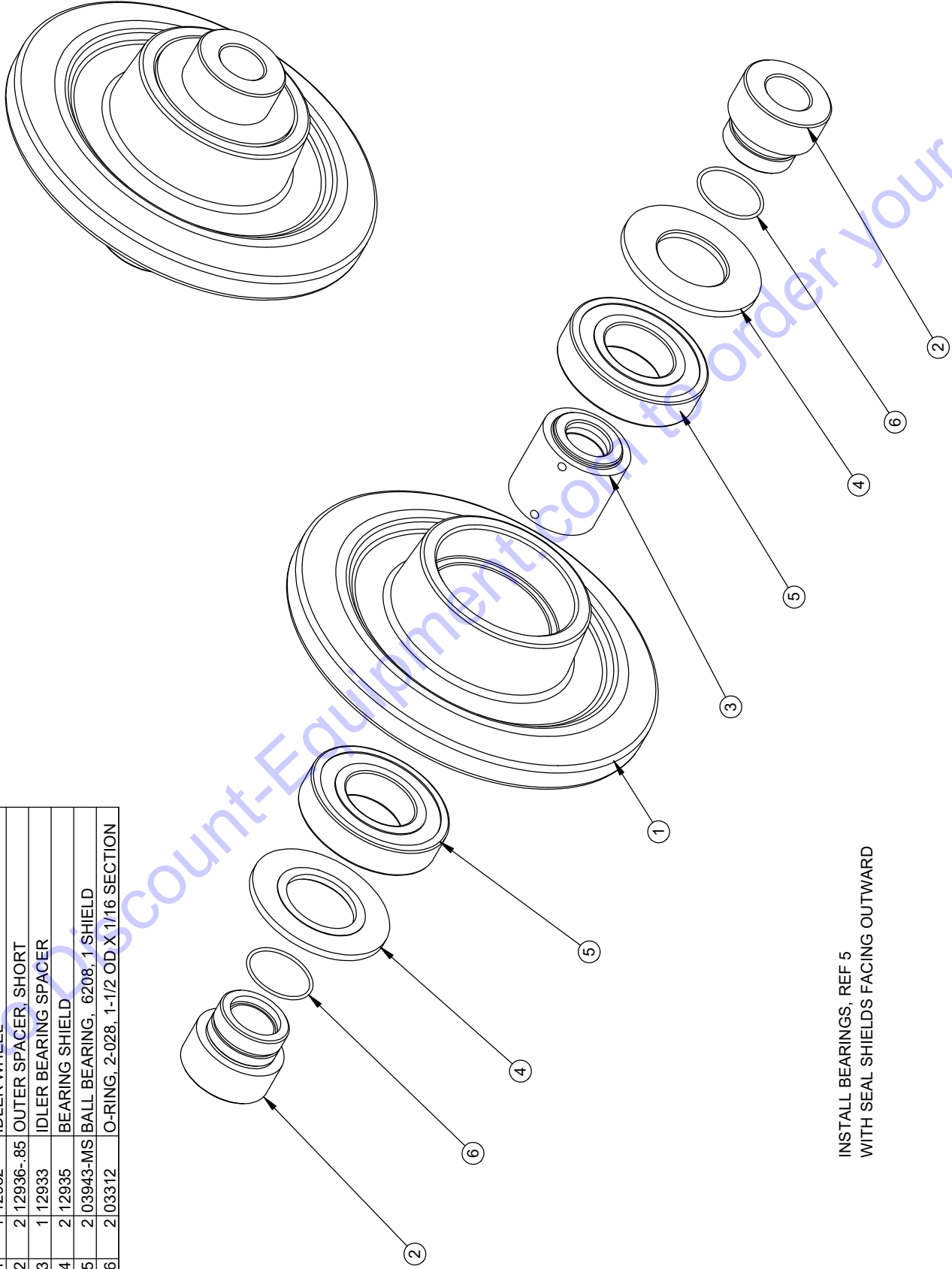
SHEET 1 OF 2

DWG# 00553 HZA



TITLE: ENGINE & PUMPS ASSEMBLY	
PRODUCT LINE: TKL	DATE:
SCALE: 1:10	DWG#: 00553 HZA
SHEET 2 OF 2	

ITEM NO.	QTY.	PART NO.	DESCRIPTION
1	1	12932	IDLER WHEEL
2	2	12936-.85	OUTER SPACER, SHORT
3	1	12933	IDLER BEARING SPACER
4	2	12935	BEARING SHIELD
5	2	03943-MS	BALL BEARING, 6208, 1 SHIELD
6	2	03312	O-RING, 2-028, 1-1/2 OD X 1/16 SECTION



INSTALL BEARINGS, REF 5
WITH SEAL SHIELDS FACING OUTWARD

TITLE: REAR IDLER ASSEMBLY

BARRETO

PRODUCT LINE: MINI SKIDSTEER DATE: 7/23/15

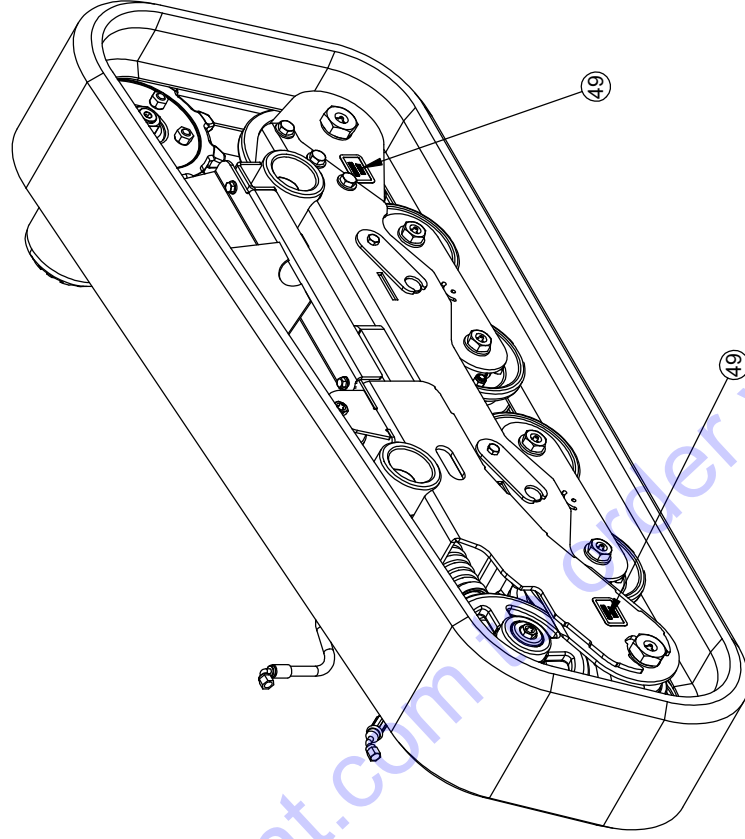
SCALE: 1:3 SHEET 1 OF 1 DWG# 00551RR

RELEASE DATE	XX/XX/XXXX
REVISED DATE	NEW
REVISION #	0

ITEM NO.	QTY.	PART NO.	DESCRIPTION
48	1	14462-ASY	SUPPORT ROLLER
49	2	103040-04	DECAL, "GREASE DAILY"

R1 = REF. S 8, 9 NOW 5 LUG,
REF 48 NEW ASSEMBLY

R1



10966, TRACK OPTION, 180 X 44L X 72P

ITEM NO.	QTY.	PART NO.	DESCRIPTION
1	1	100555 R1	TENSION IDLER ASSEMBLY
2	1	100556 R2	TENSION CYLINDER
3	2	100550	ROLLER CARRIAGE ASSEMBLY
4	1	100551FR	FRONT IDLER ASSEMBLY
5	1	100551RR	REAR IDLER ASSEMBLY
6	1	12926L R1	LEFT CARRIAGE, W/ BRAKE
7	1	14347L R2	SUPPORT MOUNT
8	1	14447	WHEEL HUB, 1-1/4" TAPERED, SOLID
9	1	14448	TRACK SPROCKET
10	1	12961	TENSION CYLINDER STUD
11	2	12927	ROLLER CARRIAGE TORSION PIN
12	4	12959	CARRIAGE TORSION SPRING
13	1	05383-M	HH CAP SCREW, 1-8 NC X 10-1/2 G5 ZINC
14	1	05384-M	HH CAP SCREW, 1-8 NC X 8 G5 ZINC
15	2	05460	HH CAP SCREW, 1-14 NF X 7 G5 ZN
16	7	03702-07	WASHER, 1 X 1-3/4 X 1/8 ZINC
17	2	05592	NUT, NYLOCK, 1-8 NC ZINC
18	4	05444	HH CAP SCREW, 1/2-13 NC X 3-1/4 G5 ZINC
19	1	05098	NUT, NYLOCK, 1/2-13 NC ZINC
20	5	05042	NUT, LUG, 1/2-20 NF
21	2	05055	HH CAP SCREW, 3/8-16 NC X 1/2 G5 ZINC
22	1	13184	TENSION ROD NUT
23	3	05131	HH FLANGE SCREW, 5/16-18 NC X 3/4 G8 ZINC
24	3	05102	WASHER, 1/2 SAE ZINC HARDENED
25	3	05323	HH CAP SCREW, 1/2-13 NC X 1-1/4 G5 ZINC
26	1	104027	TRACK DRIVE MOTOR, MINI SKID
27	1	13233L	IDLER MOUNT
28	1	13243	MOTOR GUARD
29	1	11712	NUT BAR
30	1	04522	FITTING, 6400-8-10
31	1	04521	FITTING, 6400-10-10-4
32	3	04555	FITTING, 6801-4-4
33	1	13159-L	TENSIONER HOSE, LEFT
34	2	05256	GREASE ZERK, 1/8 NPT
35	1	05273	NUT, NYLOCK, 5/16-18 NC ZINC
36	1	10965	TRACK, 230 X 44L X 72p
37	1	04616	BRAKE VALVE
38	1	14436L	LEFT CARRIAGE COVER
39	1	04218	FITTING, 6802-4-4
40	1	05595	NUT, JAM, 1-8 NC ZINC
41	2	05131	HHFS 5/16-18 X 1/2, G5, ZN
42	2	05088	HH CAP SCREW, 1/4-20 NC X 1-1/2 G5 ZINC
43	1	05044	GREASE ZERK, 1/4-28 UNF
44	1	100569 H2	BRAKE ASSEMBLY
45	1	14424	HOSE, BRAKE VALVE / CYLINDER
46	1	14425	HOSE, BRAKE / CHARGE
47	1	14426	HOSE, BRAKE VALVE / TANK

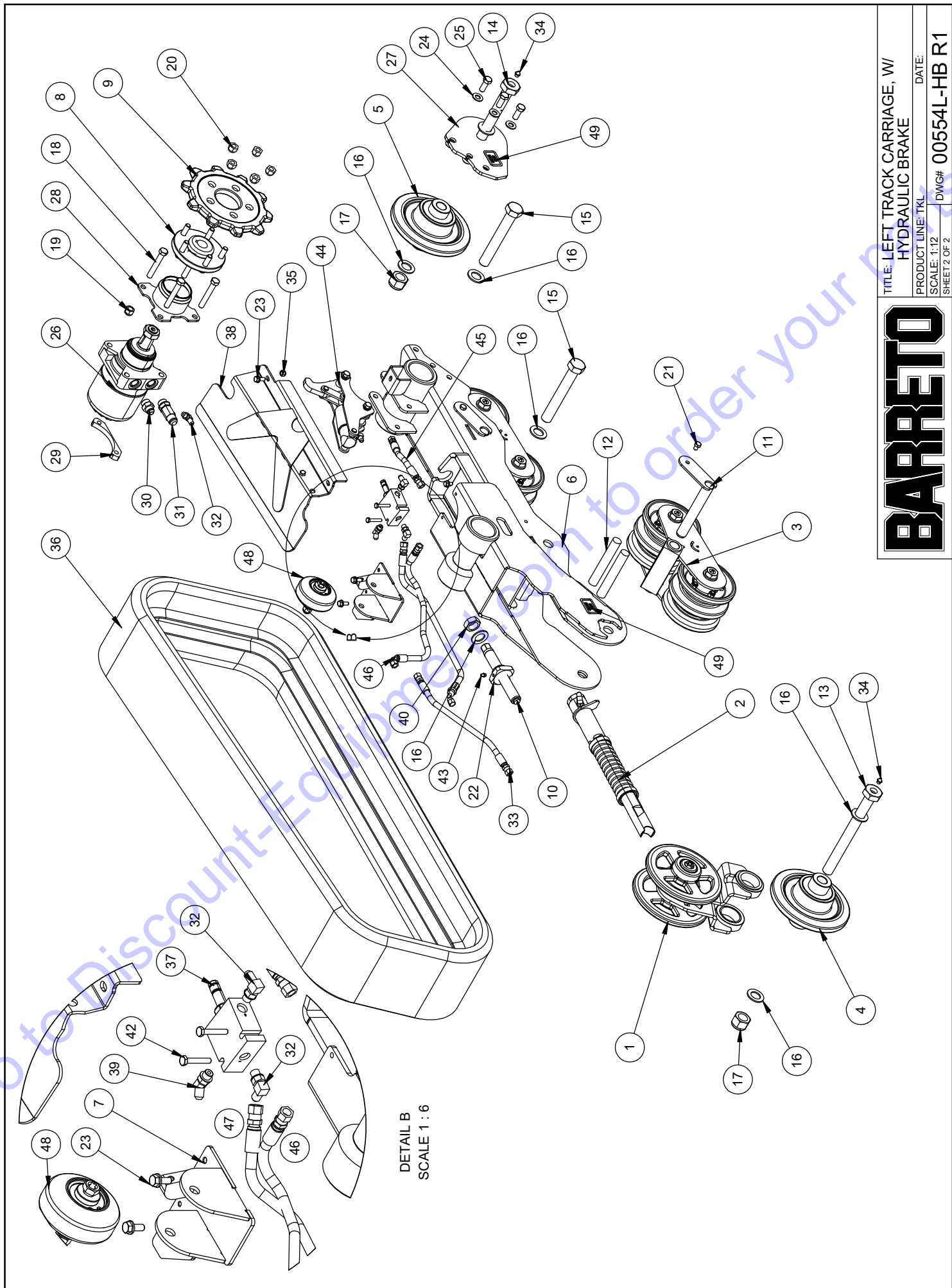
BARRETO

TITLE: LEFT TRACK CARRIAGE

PRODUCT LINE: MINI SKIDSTEER

SCALE: 1:10
SHEET 1 OF 2

DWG# 00554L-HB R1



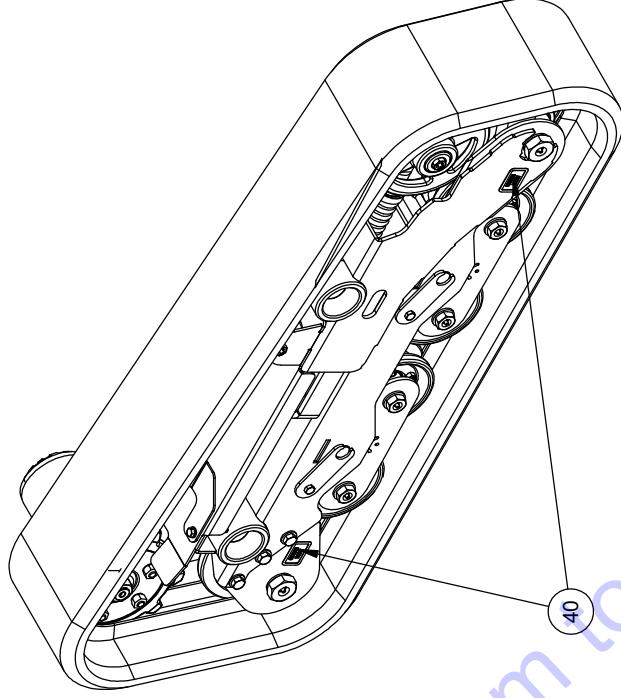
DETAIL B
SCALE 1 : 6

ITEM NO.	QTY.	PART NO.	DESCRIPTION
1	2	00550	ROLLER CARRIAGE ASSEMBLY
2	1	00551FR	FRONT IDLER ASSEMBLY
3	1	00551RR	REAR IDLER ASSEMBLY
4	1	00555 R1	TENSION IDLER ASSEMBLY
5	1	12926R R1	RIGHT CARRIAGE
6	1	12961	TENSION CYLINDER STUD
7	1	13184	TENSION ROD NUT
8	1	14448	TRACK SPROCKET
9	1	14447	WHEEL HUB, 1-1/4" TAPERED, SOLID
10	1	13243	MOTOR GUARD
11	1	13233R	IDLER PLATE
12	2	12927	ROLLER CARRIAGE TORSION PIN
13	4	12959	CARRIAGE TORSION SPRING
14	1	11712	NUT BAR
15	1	104027R	TRACK DRIVE MOTOR, MINI SKID
16	1	104522	FITTING, 6400-8-10
17	1	05383-M	HH CAP SCREW, 1-8 NC X 10-1/2 G5 ZINC
18	1	05384-M	HH CAP SCREW, 1-8 NC X 8 G5 ZINC
19	2	05460	HH CAP SCREW, 1-14 NF X 7 G5 ZN
20	7	03702-07	WASHER, 1 X 1-3/4 X 1/8 ZINC
21	2	05592	NUT, NYLOCK, 1-8 NC ZINC
22	4	05444	HH CAP SCREW, 1/2-13 NC X 3-1/4 G5 ZINC
23	3	05323	HH CAP SCREW, 1/2-13 NC X 1-1/4 G5 ZINC
24	3	05102	WASHER, 1/2 SAE ZINC HARDENED
25	1	05098	NUT, NYLOCK, 1/2-13 NC ZINC
26	5	05042	NUT, LUG, 1/2-20 NF
27	2	05055	HH CAP SCREW, 3/8-16 NC X 1/2 G5 ZINC
28	3	05131	HH FLANGE SCREW, 5/16-18 NC X 3/4 G8 ZINC
29	1	104526	FITTING, GP-6400-10-10-4
30	1	104555	FITTING, 6801-4-4
31	2	13159-R	TENSIONER HOSE, RT
32	2	05256	GREASE ZERK, 1/8 NPT
33	1	14347R	CARRIAGE COVER, RIGHT
34	1	05002	NUT, GRIPCO, 5/16-18 NC G5 ZINC
35	1	10965	TRACK, 230 X 44L X 72p
36	1	00556 R2	TENSION CYLINDER
37	2	05595	NUT, JAM, 1-8 NC ZINC
38	1	05044	GREASE ZERK, 1/4-28 UNF
39	1	14462-ASY	SUPPORT ROLLER
40	2	03040-04	DECAL, "GREASE DAILY"

[R1]

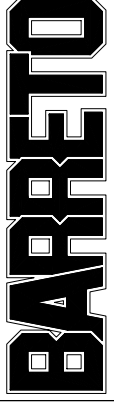
[R1]

10966, TRACK OPTION, 180 X 44L X 72P



RELEASE DATE	XX/XX/XXXX
REVISED DATE	NEW
REVISION #	0

[R1] REF. 8 , 9, NOW 5 LUG
REF. 39, NEW ASSEMBLY



TITLE: RIGHT TRACK CARRIAGE

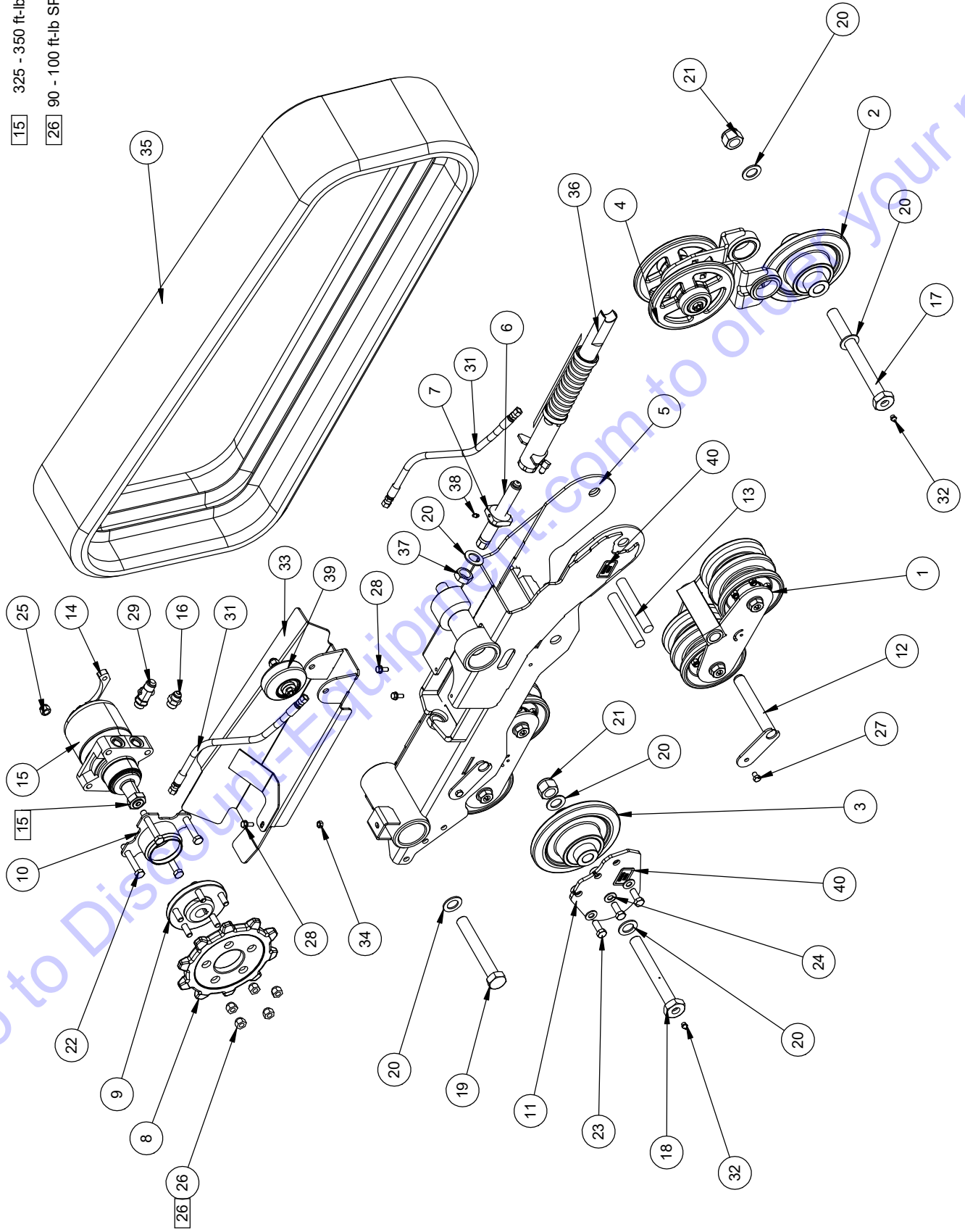
PRODUCT LINE: MINI SKIDSTEER

SCALE: 1:12
SHEET 1 OF 2

DWG# 00554R R1

15 325 - 350 ft-lb SHAFT NUT TORQUE

26 90 - 100 ft-lb SPROCKET NUT TORQUE



TITLE: RIGHT TRACK CARRIAGE

PRODUCT LINE: 825 TKL DATE: 5-2021

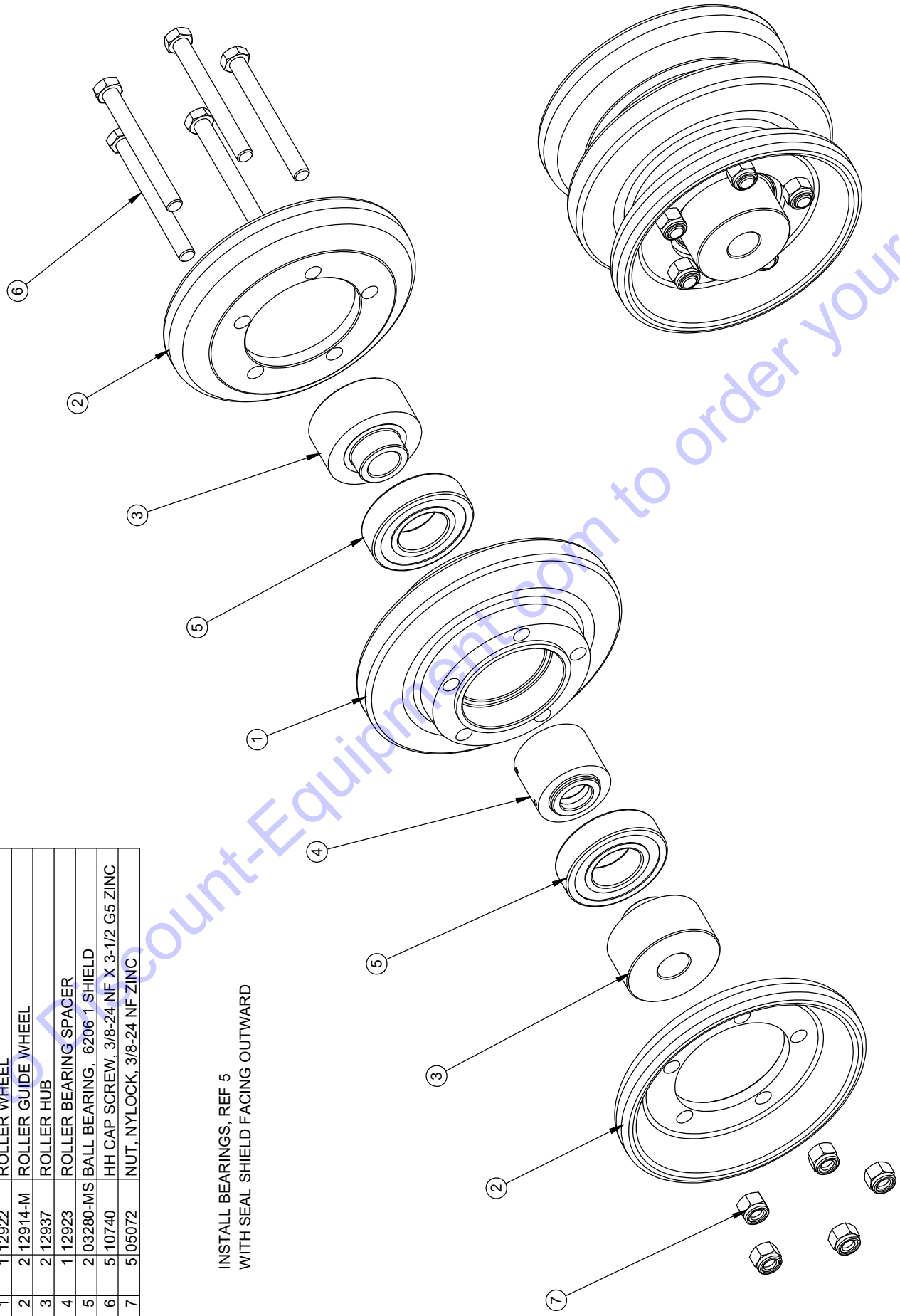
SCALE: 1:12 DWG#: 00554R R1

SHEET 2 OF 2

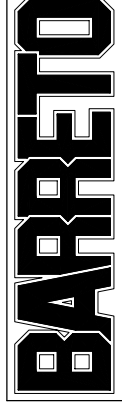
BARRETO

ITEM NO.	QTY.	PART NO.	DESCRIPTION
1	1	12922	ROLLER WHEEL
2	2	12914-M	ROLLER GUIDE WHEEL
3	2	12937	ROLLER HUB
4	1	12923	ROLLER BEARING SPACER
5	2	03280-MS	BALL BEARING, 6206 1 SHIELD
6	5	10740	HH CAP SCREW, 3/8-24 NF X 3-1/2 G5 ZINC
7	5	05072	NUT, NYLOCK, 3/8-24 NF ZINC

INSTALL BEARINGS, REF 5
WITH SEAL SHIELD FACING OUTWARD



TITLE: ROLLER ASSEMBLY



PRODUCT LINE: MINI SKIDSTEER DATE: 7/23/15
SCALE: 1:3 DWG# 00552
SHEET 1 OF 1

DATE	REV	DESCRIPTION	DWN	PER
XX/XX/XX	0	INITIAL RELEASE FOR PROTOTYPE DEVELOPMENT		MZL

NOTES:

MATERIAL: SEE TABLE

WEIGHT: 22.960 lb

QTY REQ'D PER: 2

FINISH: NONE

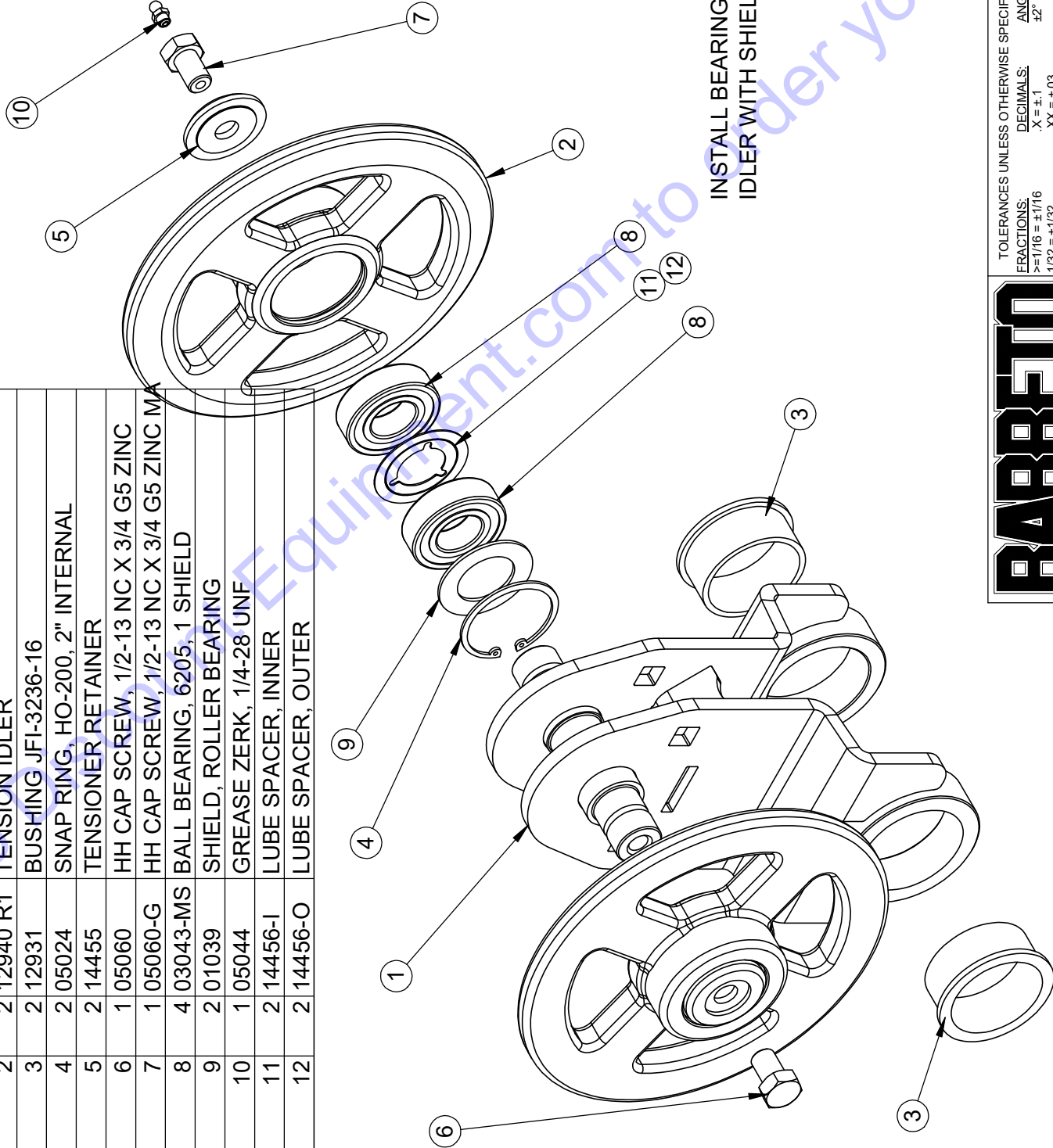
OTHER:

PROCESS 1:

THIS SIDE, 05060-G, BOLT
MACHINED FOR ZERK
OUTER SIDE OF ASSEMBLY

INSTALL BEARINGS REF. 8 - IN EACH
IDLER WITH SHIELDS FACING OUTSIDE

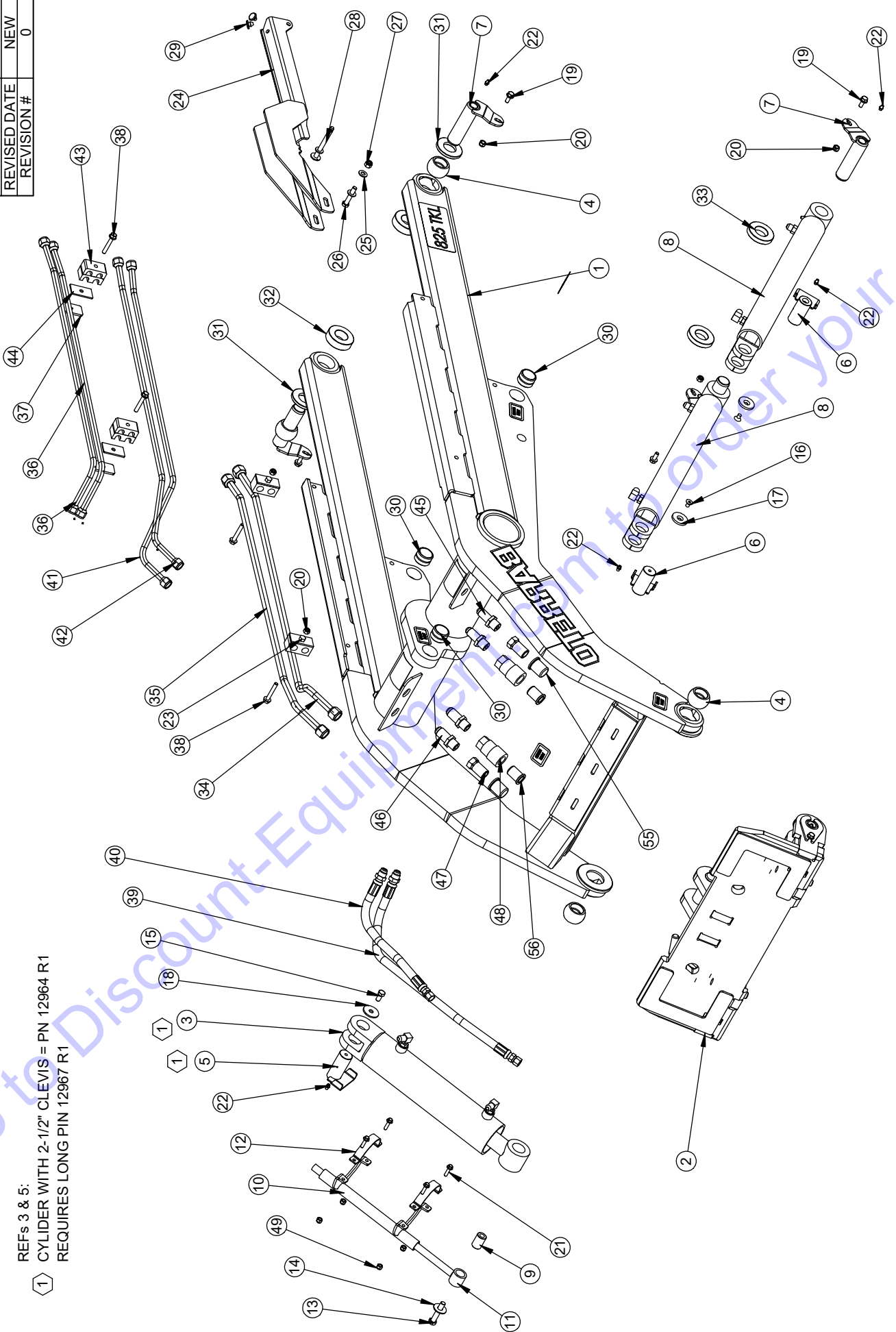
ITEM NO.	QTY.	PART NO.	DESCRIPTION
1	1	12941 R1	TENSION IDLER MOUNT
2	2	12940 R1	TENSION IDLER
3	2	12931	BUSHING JFI-3236-16
4	2	05024	SNAP RING, HO-200, 2" INTERNAL
5	2	14455	TENSIONER RETAINER
6	1	05060	HH CAP SCREW, 1/2-13 NC X 3/4 G5 ZINC
7	1	05060-G	HH CAP SCREW, 1/2-13 NC X 3/4 G5 ZINC MA
8	4	03043-MS	BALL BEARING, 6205, 1 SHIELD
9	2	01039	SHIELD, ROLLER BEARING
10	1	05044	GREASE ZERK, 1/4-28 UNF
11	2	14456-I	LUBE SPACER, INNER
12	2	14456-O	LUBE SPACER, OUTER



TOLERANCES UNLESS OTHERWISE SPECIFIED
 FRACTIONS: >=1/16 = ±1/16
 DECIMALS: .X = ±.1
 .XX = ±.03
 .XXX = ±.005
 ANGLES: ±2°

TITLE: TENSION IDLER ASSEMBLY
 PRODUCT LINE: MINI SKIDSTEER
 SCALE: 1:3
 SHEET 1 OF 1
 DWG# 00555 R1

RELEASE DATE	XXXXXXXXXX
REVISED DATE	NEW
REVISION #	0



REFs 3 & 5:
 CYLINDER WITH 2-1/2" CLEVIS = PN 12964 R1
 REQUIRES LONG PIN 12967 R1



BARRETO

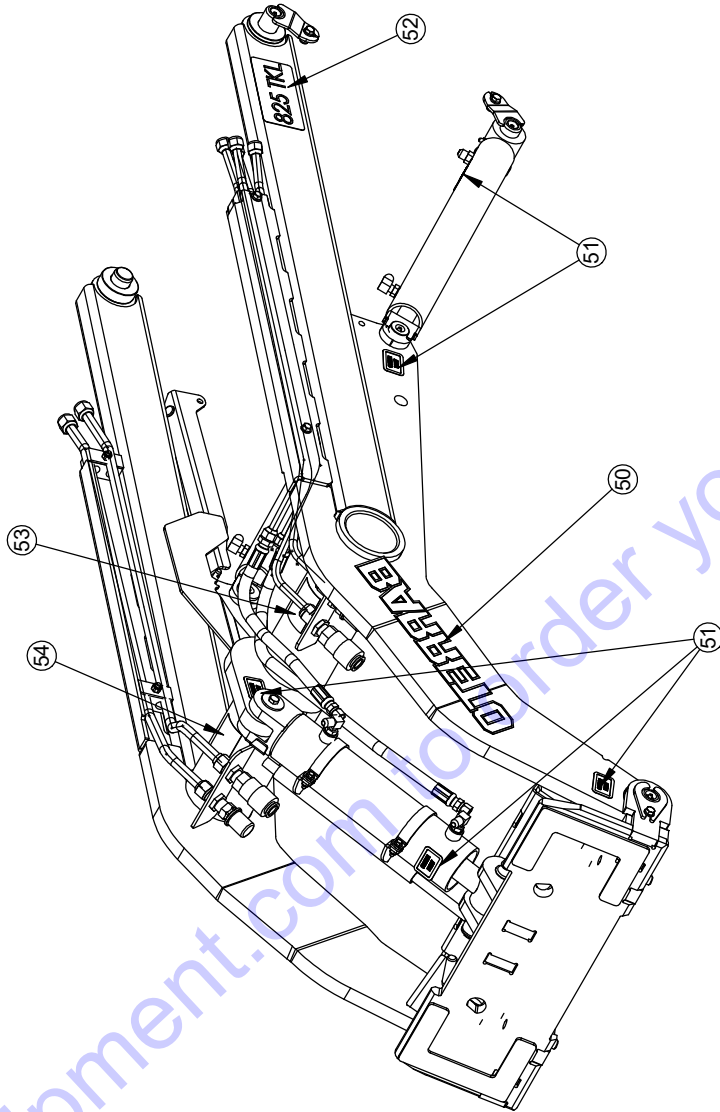
TITLE: LIFT ARM ASSEMBLY

PRODUCT LINE: MINI SKIDSTEER

SCALE: 1:12
 SHEET 1 OF 2

DWG# 00557 R1

TEM NO.	QTY.	PART NO.	DESCRIPTION	TEM NO.	QTY.	PART NO.	DESCRIPTION
1	1	12962 R1	LIFT ARM	48	2	13337	QUICK DISCONNECT, FEMALE
2	1	100564C	TOOL MOUNT ASSEMBLY	49	4	05096	NUT, NYLOCK, 1/4-20 NC ZINC
3	1	12964 R1	TILT CYLINDER, 2.50 X 10	50	2	03040-02	DECAL, "BARRETO", 3-1/2 X 11-1/4
4	4	14324	SPHERICAL EYE, 1.25	51	8	03040-04	DECAL, "GREASE DAILY"
5	1	12967 R1	HINGE PIN, CYLINDER - LIFT ARM	52	2	14351	DECAL, 825 TKL
6	2	12967	HINGE PIN, CYLINDER - LIFT ARM	53	1	04457	DECAL, TOOL 2
7	4	12970-G	HINGE PIN, FRAME-LIFT ARM	54	1	04458	DECAL, TOOL 1
8	2	12963X16	LIFT CYLINDER, 2.0 X 16	55	2	13338-DC	OUTLET COVER, FEM
9	1	13141	BOLT SLEEVE, LEVEL INDICATOR	56	2	13337-DC	OUTLET COVER, FEM
10	1	13142	LEVEL INDICATOR GUIDE				
11	1	13144	ATTACHMENT LEVEL INDICATOR				
12	2	13170 R1	CYLINDER CLAMP, LEVEL INDICATOR				
13	1	05177	HH CAP SCREW, 7/16-20 NF X 2-1/4 G5 ZINC				
14	1	05083	WASHER, 7/16 USS ZINC				
15	1	05057	HH CAP SCREW, 3/8-16 NC X 3/4 G5 ZINC				
16	2	05563	FSCS 5/16 NC X 1/2 ZN				
17	2	10626	PIVOT PIN WASHER				
18	1	05540	WASHER, 3/8 FENDER ZINC				
19	4	05131	HH FLANGE SCREW, 5/16-18 NC X 3/4 G8 ZINC				
20	6	05273	NUT, NYLOCK, 5/16-18 NC ZINC				
21	4	05389	HHFS 1/4-20 X 1, G5, ZN				
22	7	05044	GREASE ZERK, 1/4-28 UNF				
23	2	11983	TUBE CLAMP, 5/8"				
24	1	13211	LIFT LOCK				
25	2	05101	WASHER, 3/8 SAE ZINC				
26	1	05262	HH CAP SCREW, 3/8-16 NC X 2 G5 ZINC				
27	1	05073	NUT, NYLOCK, 3/8-16 NC ZINC				
28	1	03552	LOCK PIN, PL6-2500				
29	2	13130	BUTTON BUMPER E-3347				
30	3	10703	BUSHING, CONNEX 1.5X1.25X1				
31	2	13275	ARM SPACER, OUTER				
32	2	13268-.75	ARM SHIM, INNER				
33	2	13268-.46	ARM SHIM, INNER				
34	1	14327	HYD. LINE, AUX 1 - BOTTOM				
35	1	14329	HYD LINE, AUX 1 TOP				
36	2	14330	HYD LINE, TILT, LOWER, 3/8"				
37	2	14308	QUAD CLAMP CAP				
38	4	05387	HHFS 5/16-18 X 2, G5, ZN				
39	1	14326	HOSE, LOWER TILT, 3/8"				
40	1	14325	HOSE, TILT UPPER END, 3/8"				
41	1	14330AX2	HYD LINE, 2ND AUX, LINE 2				
42	1	14330AX1	HYD LINE, 2ND AUX, LINE 1				
43	4	14307	TUBE CLAMP, .50"				
44	2	14349	TUBE PAD				
45	2	13344	BULKHEAD FITTING, 2706LN-08-08				
46	2	13342	BULKHEAD FITTING, 2706LN-08-10				
47	2	13338	QUICK DISCONNECT, MALE				



BARRETO

TITLE: LIFT ARM ASSEMBLY

X

PRODUCT LINE:

SCALE: 1:12

SHEET 2 OF 2

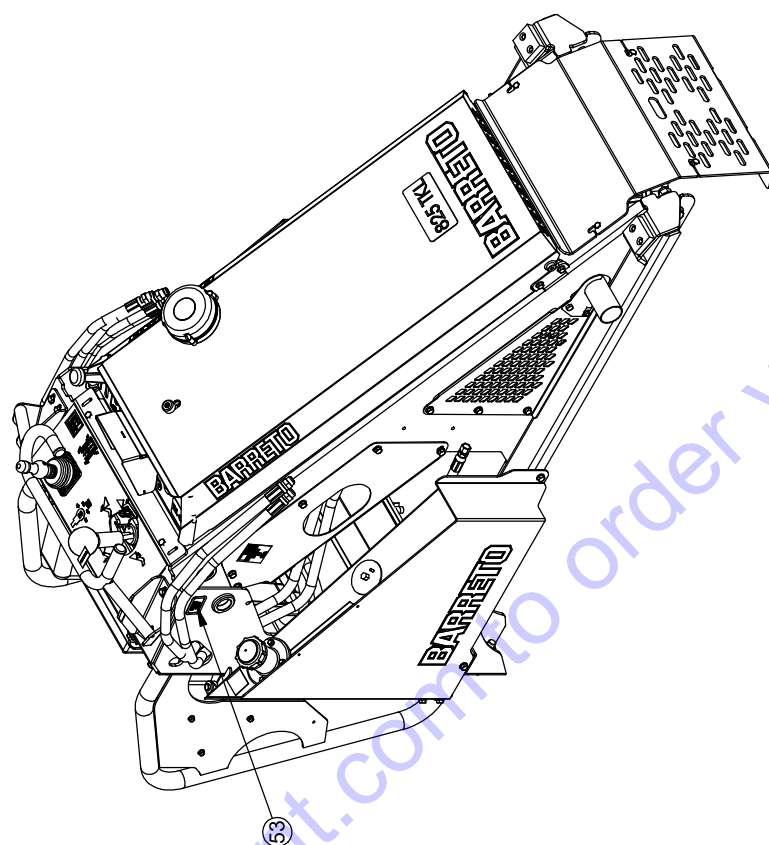
DATE:

DWG# 00557 R1

RELEASE DATE	XX/XX/XXXX
REVISED DATE	NEW
REVISION #	0

ITEM NO.	QTY.	PART NO.	DESCRIPTION
48	1	14330H1	HOSE, AUX2 A
49	1	14330H2	HOSE, AUX2 B
50	1	14321	DRIVE CONTROL ECU
51	4	05560	HH CAP SCREW, 1/4-20 NC X 2-1/4 G5 ZINC
52	4	05081	WASHER, 1/4 SAE ZINC
53	2	03040-04	DECAL, "GREASE DAILY"
54	2	14355-	DECAL, "CAN BUS PORT"

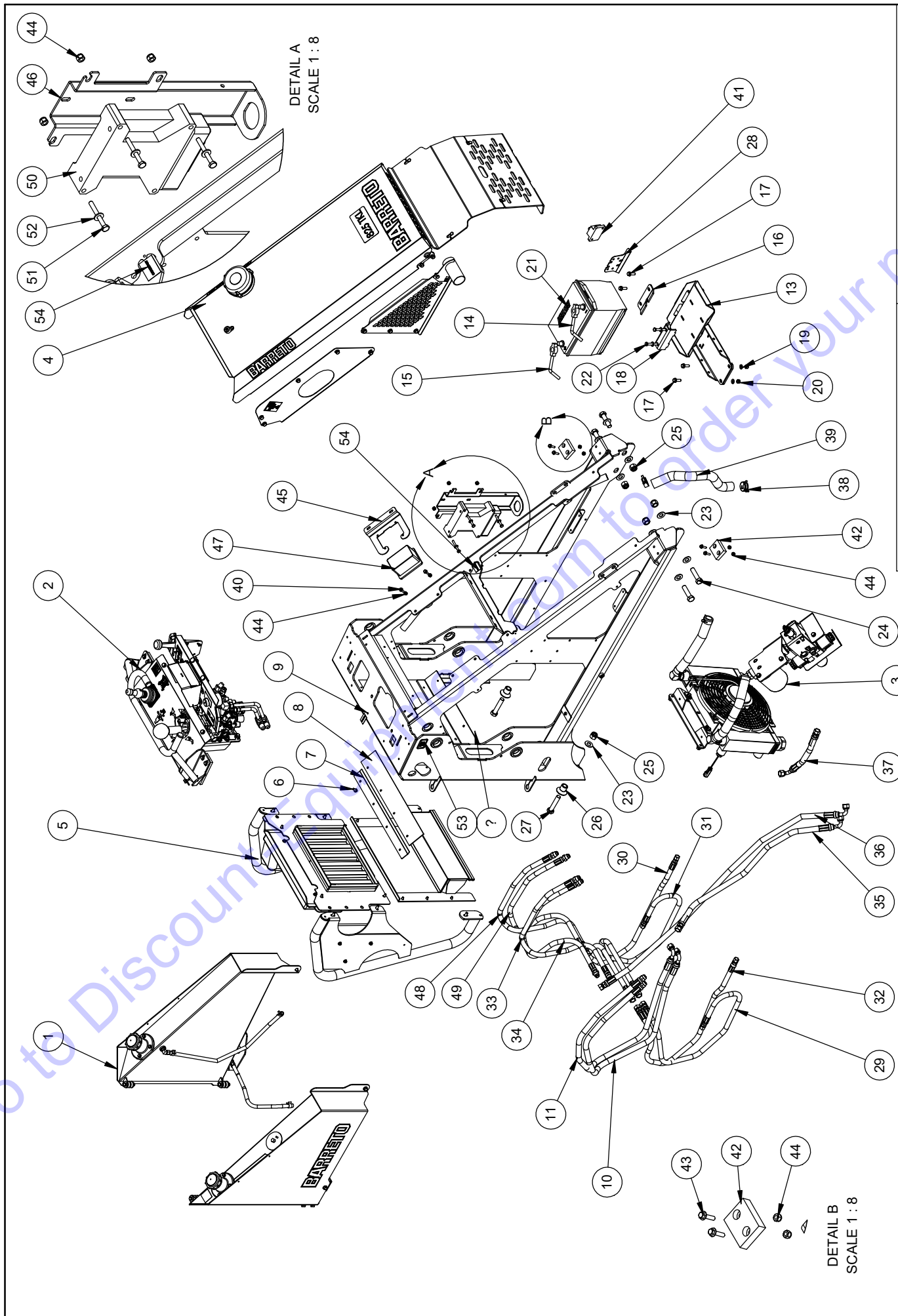
ITEM NO.	QTY.	PART NO.	DESCRIPTION
1	1	00561	FUEL TANKS ASSEMBLY
2	1	00560 H1	CONTROL ASSEMBLY
3	1	00562 R1	COOLER ASSEMBLY
4	1	00565	FRONT COVERS
5	1	00567	REAR GUARDS
6	4	05069	WHIZ LOCK, 1/4-20 NC X 5/8 ZINC
7	1	14395	FLAP BACKING
8	1	13245	AIR DEFLECTOR
9	1	12949 R1	LIFT FRAME
10	1	13178	HOSE, AUX 1 BOTTOM
11	1	13177	HOSE, AUX 1 TOP
12	1	11656	TUBE CLAMP
13	1	12997-HP	BATTERY MOUNT
14	1	13146	BATTERY CABLE, NEG
15	1	13145	BATTERY CABLE, POS
16	1	13101	BATTERY HOLDER
17	4	05567	HH FLANGE SCREW, 5/16-18 NC X 1" G8 ZINC
18	1	13100	BATTERY CLAMP
19	6	05068	WASHER, 5/16 SAE ZINC
20	4	05273	NUT, NYLOCK, 5/16-18 NC ZINC
21	1	12999	BATTERY, 12V, MT-34, 700 CCA
22	2	05566	HH CAP SCREW, 5/16-18 NC X 2 G5 ZINC
23	10	05272	WASHER, 5/8 SAE ZINC HARDENED
24	4	05335	HH CAP SCREW, 5/8-11 NC X 2-1/2 G5 ZINC
25	6	05099	NUT, NYLOCK, 5/8-11 NC ZINC
26	2	13234	WEDGE CONE
27	2	05386	HH CAP SCREW, 5/8-11 NC X 3 G5 ZINC
28	1	13290	FUSE MOUNT
29	1	14316	HOSE, RIGHT LIFT PISTON
30	1	14318	HOSE, LEFT ROD END
31	1	14315	HOSE, LEFT LIFT PISTON
32	1	14317	HOSE, RIGHT ROD END
33	1	13182H	HOSE, TILT 2 REAR
34	1	13181H	HOSE, TILT 1
35	1	13175B	HOSE, PUMP / AUX 1
36	1	13176B	HOSE, PUMP / LIFT VALVE
37	1	13278	HOSE, LIFT VALVE RETURN
38	2	05225	CLAMP, 1" ID HOSE, CTB-35 ST
39	1	14320	RETURN HOSE, LOWER
40	2	05049	WHIZ LOCK, 1/4-20 NC X 3/4 ZINC
41	1	03337	CIRCUIT BREAKER
42	2	14323	ARM STOP
43	4	05389	HHFS 1/4-20 X 1, G5, ZN
44	10	05096	NUT, NYLOCK, 1/4-20 NC ZINC
45	1	13266B	FUSE BOX MOUNT
46	1	14403	ECU MOUNT
47	1	03339	FUSE BOX



BARRETO

TITLE: LIFT FRAME ASSEMBLY

PRODUCT LINE: MINI SKID
 SCALE: 1:16
 SHEET 1 OF 2
 DWG# 00558 R1



DETAIL A
SCALE 1 : 8

DETAIL B
SCALE 1 : 8

TITLE: LIFT FRAME ASSEMBLY

PRODUCT LINE: TKL

SCALE: 1:20

DATE: 3-2020

SHEET 2 OF 2

DWG# 00558 R1

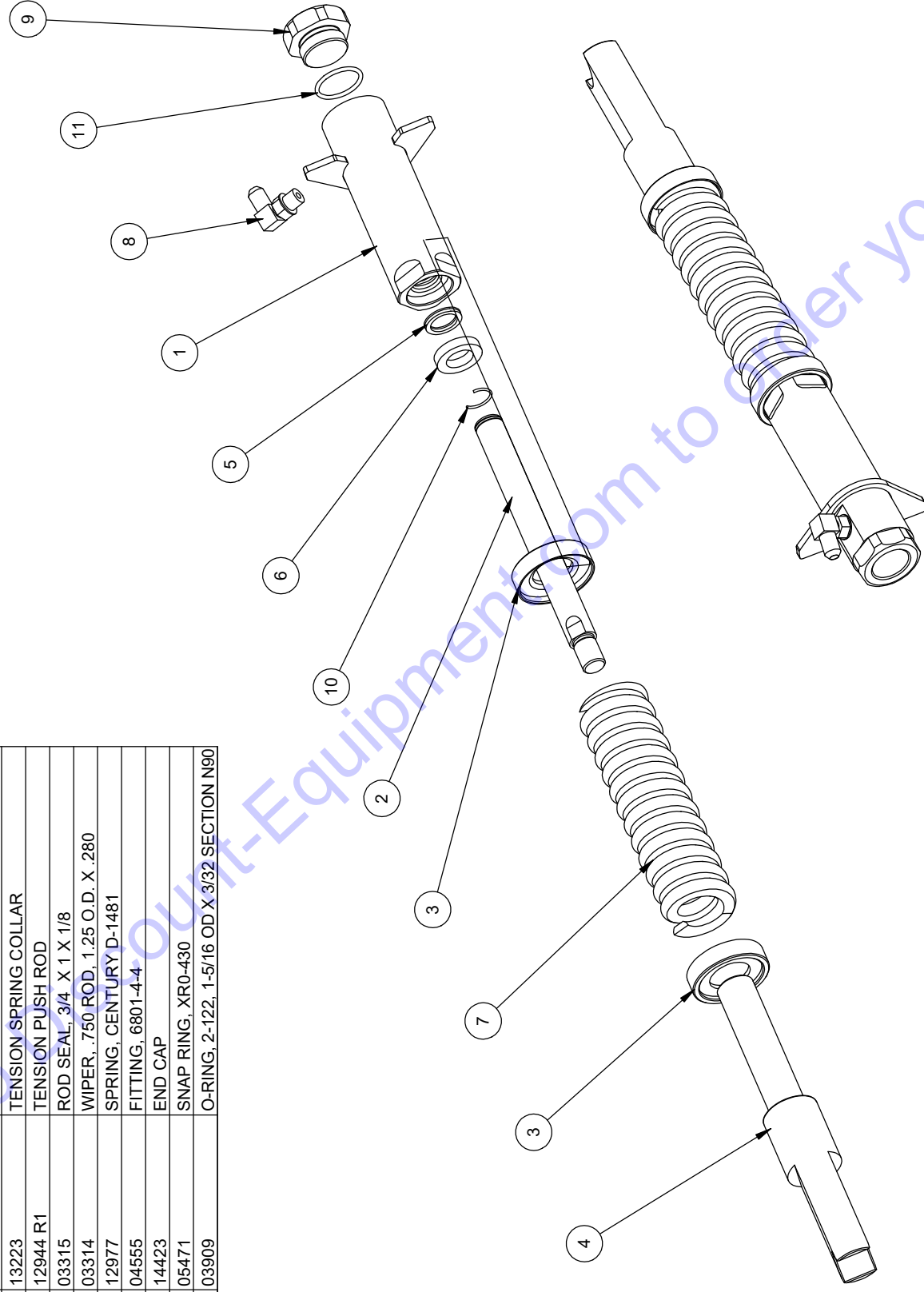
BARRETO

Go to Discount [http://www.discountorderyour.com](#)

ITEM NO.	QTY.	PART NO.	DESCRIPTION
1	1	12945 R1	TENSION CYLINDER
2	1	12946	TENSION PISTON
3	2	13223	TENSION SPRING COLLAR
4	1	12944 R1	TENSION PUSH ROD
5	1	03315	ROD SEAL, 3/4 X 1 X 1/8
6	1	03314	WIPER, .750 ROD, 1.25 O.D. X .280
7	1	12977	SPRING, CENTURY D-1481
8	1	04555	FITTING, 6801-4-4
9	1	14423	END CAP
10	1	05471	SNAP RING, XR0-430
11	1	03909	O-RING, 2-122, 1-5/16 OD X 3/32 SECTION N90

RELEASE DATE	XX/XX/XXXX
REVISED DATE	NEW
REVISION #	0

60 ft-lb
81 Nm



BARRETO

TITLE: TENSION CYLINDER

PRODUCT LINE: MINISKID / TKL

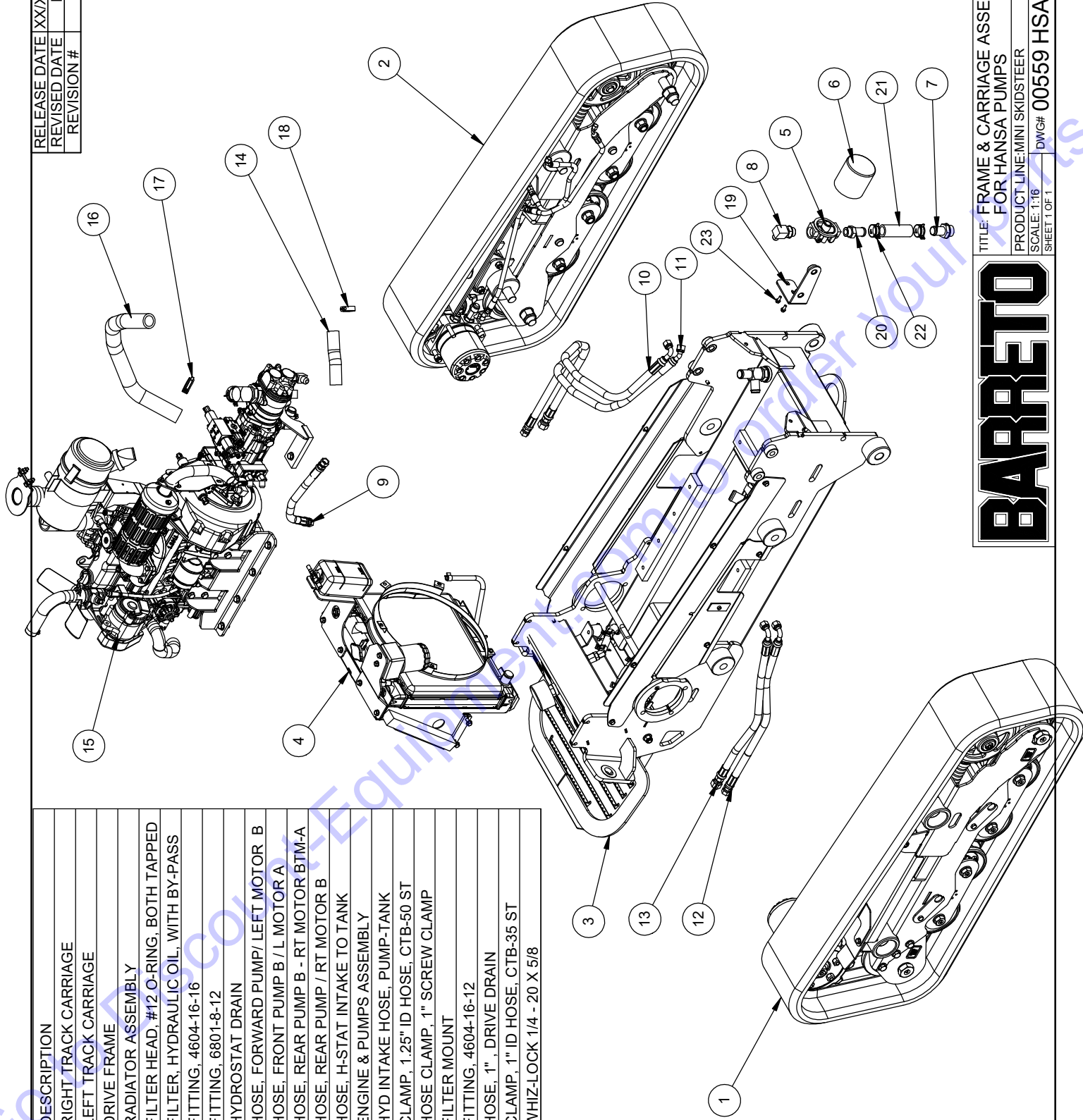
SCALE: 1:4

DWG# 00556 R2

SHEET 1 OF 1

ITEM NO.	QTY.	PART NO.	DESCRIPTION
1	1	00554R R1	RIGHT TRACK CARRIAGE
2	1	00554L-HB R1	LEFT TRACK CARRIAGE
3	1	00566	DRIVE FRAME
4	1	00563	RADIATOR ASSEMBLY
5	1	04212-OR-U	FILTER HEAD, #12 O-RING, BOTH TAPPED
6	1	03951	FILTER, HYDRAULIC OIL, WITH BY-PASS
7	1	10399	FITTING, 4604-16-16
8	1	11038	FITTING, 6801-8-12
9	1	13173 R1	HYDROSTAT DRAIN
10	1	13157	HOSE, FORWARD PUMP/ LEFT MOTOR B
11	1	13158	HOSE, FRONT PUMP B / L MOTOR A
12	1	13161	HOSE, REAR PUMP B - RT MOTOR BTM-A
13	1	13160	HOSE, REAR PUMP / RT MOTOR B
14	1	13133	HOSE, H-STAT INTAKE TO TANK
15	1	00553 HZA	ENGINE & PUMPS ASSEMBLY
16	1	13162	HYD INTAKE HOSE, PUMP-TANK
17	1	13164	CLAMP, 1.25" ID HOSE, CTB-50 ST
18	1	05487	HOSE CLAMP, 1" SCREW CLAMP
19	1	13272	FILTER MOUNT
20	1	04217	FITTING, 4604-16-12
21	1	14457	HOSE, 1" , DRIVE DRAIN
22	2	05225	CLAMP, 1" ID HOSE, CTB-35 ST
23	2	05069	WHIZ-LOCK 1/4 - 20 X 5/8

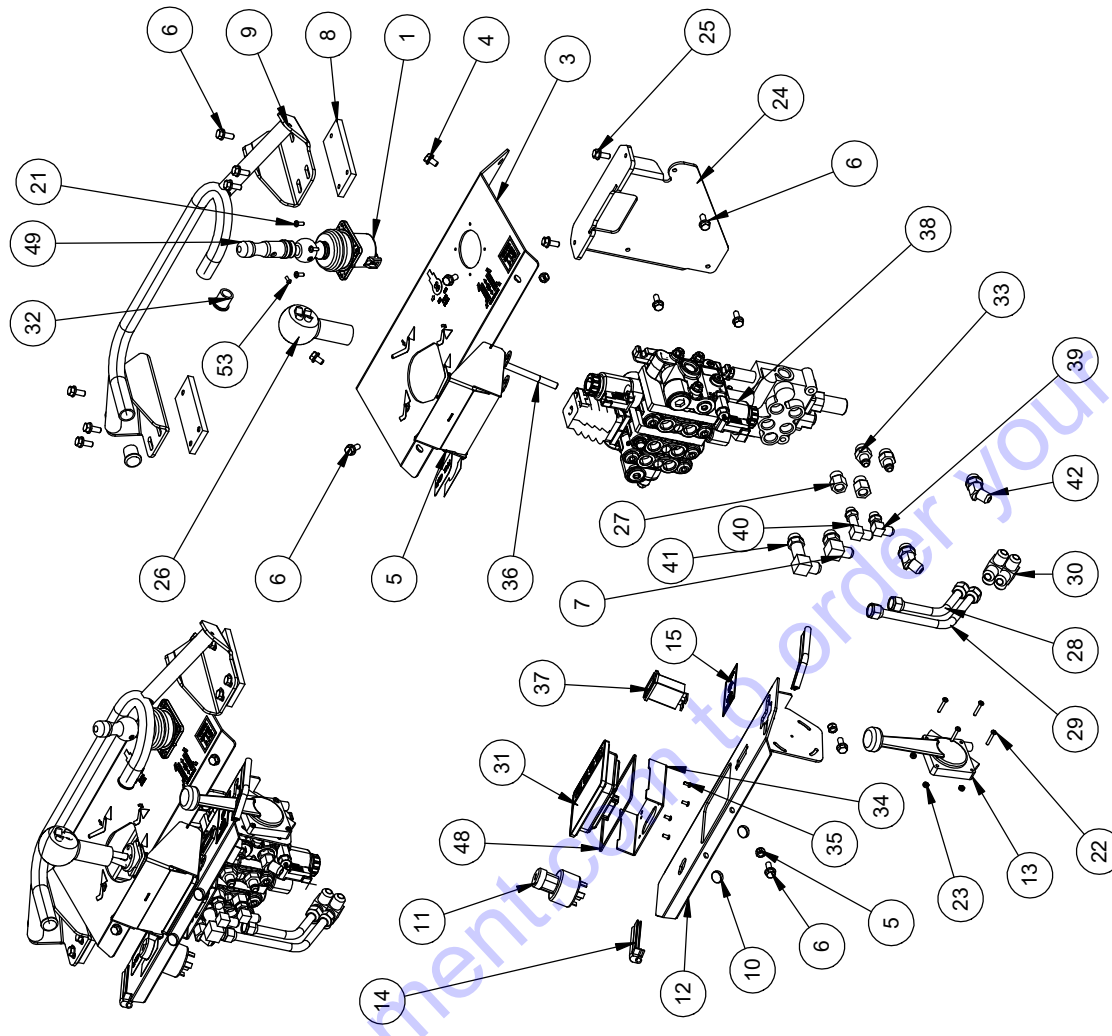
RELEASE DATE	XXXXXXXXXX
REVISED DATE	NEW
REVISION #	0



BARRETO

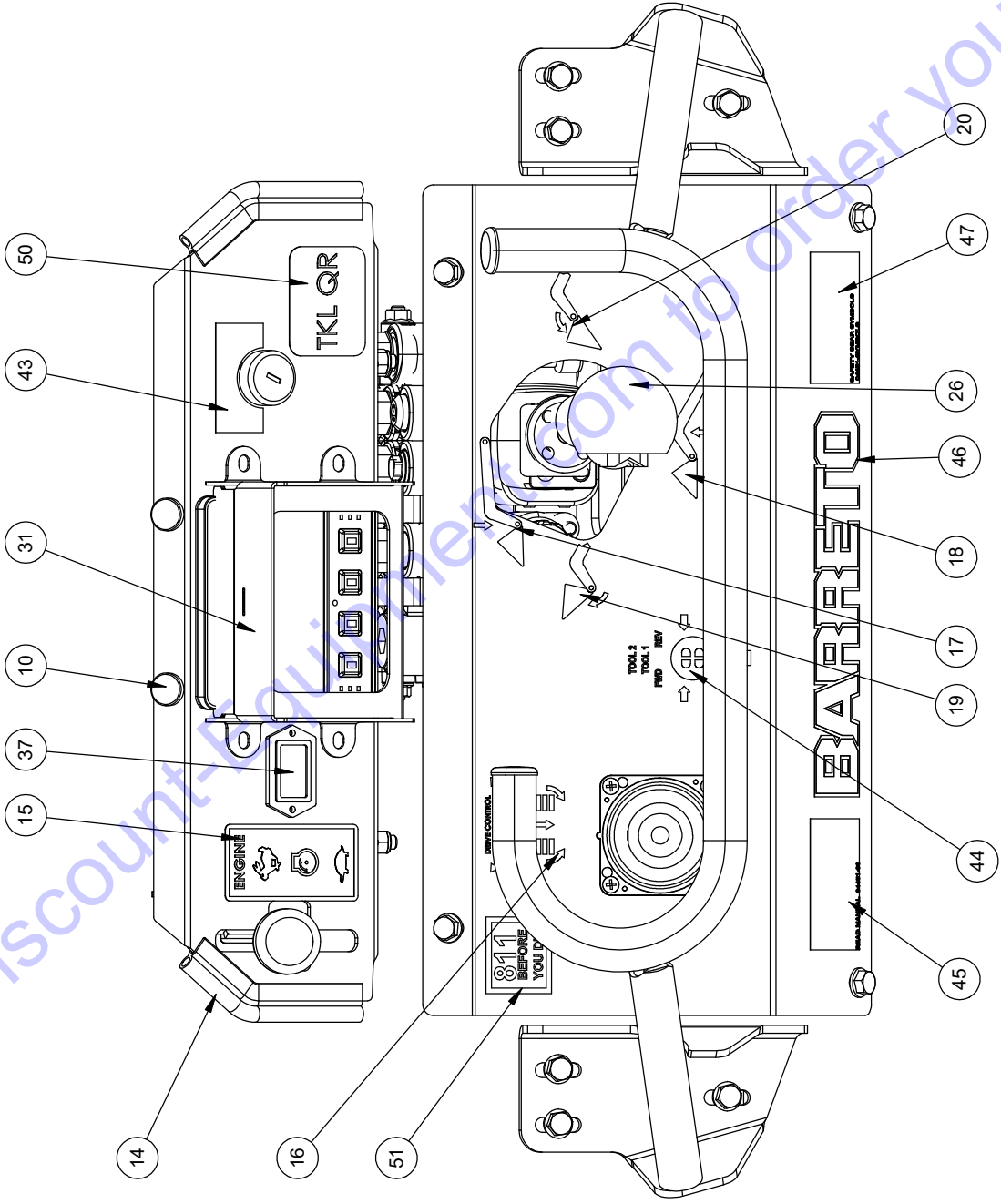
TITLE: FRAME & CARRIAGE ASSEMBLY
FOR HANSA PUMPS
PRODUCT LINE: MINI SKIDSTEER
SCALE: 1:16
SHEET 1 OF 1
DWG# 00559 HSA

ITEM NO.	QTY.	PART NO.	DESCRIPTION	ITEM NO.	QTY.	PART NO.	DESCRIPTION	Q	XXXXXXXXXX
1	1	14333	TRACK CONTROL	48	1	14398-B	GASKET, INCLUDED WITH 14398	REVISED DATE	NEW
2	1	13193	LOADER VALVE WL21GB5C1	49	1	14333-KC	DRIVE CONTROL KNOB	REVISION #	0
3	1	13112 R1	MOUNT PLATE	50	1	825TKL-QRS	DECAL, TKL QRS		
4	2	05520	HH FLANGE SCREW, 5/16-18 NC X 1/2 G8 ZINC	51	1	103345	DECAL, "CALL 811 BEFORE YOU DIG"		
5	4	05273	NUT, NYLOCK, 5/16-18 NC ZINC	52	1	13208	DISPLAY MOUNT		
6	13	05131	HH FLANGE SCREW, 5/16-18 NC X 3/4 G8 ZINC	53	1	105517	BHSCS, M4 X 10		
7	1	04554	FITTING, 6801-8-8						
8	2	13126	TAPPED BAR						
9	1	13111	HAND REST						
10	2	13130	BUTTON BUMPER, E-4270, 3/4 X 3/16						
11	1	14334	KEY SWITCH						
12	1	13128 R2	GAUGE PANEL						
13	1	14337	THROTTLE LEVER						
14	2	13267	EDGE SEAL						
15	1	04440-05	DECAL, "THROTTLE CONTROL"						
16	1	14340	DECAL, TRACK ILLUSTRATION						
17	1	14341	DECAL, ARM DOWN ILLUSTR.						
18	1	14342	DECAL, ARM UP ILLUSTR.						
19	1	14343	DECAL, BUCKET TILT BACK						
20	1	14344	DECAL, BUCKET DUMP						
21	4	05233	SCREW #10-24 X 1/2 PPH						
22	4	05628	SCREW #8-32 X 1" PHPP						
23	4	5627	NUT, NYLOCK, 8-32 NC ZINC						
24	1	14309 R2	VALVE MOUNT						
25	2	05567	HHFS 5/16-18 X 3/4, G8, ZN						
26	1	14332	ARM & TOOL CONTROL KNOB						
27	2	04529	FITTING, 6410-8-6						
28	1	14311	HYDRAULIC LINE, LIFT BOTTOM / TEE						
29	1	14312	HYDRAULIC LINE, LIFT TOP / TEE						
30	2	16573	FITTING, 2603-8-8-8						
31	2	14350	DANFOSS DISPLAY SCREEN						
32	2	12151	TUBE CAP, 1.0 X 7/8						
33	2	04226	FITTING, 6400-6-8						
34	1	14398	DISPLAY CLAMP						
35	4	14398-A	SCREW, M4 TORX, INCLUDED WITH 14398						
36	1	14396-S	LIFT STUD, STRAIGHT						
37	1	14339	HOUR METER						
38	1	13193H	VALVE, HYDAC- LIFT/DUMP / AUX 2						
39	1	04538	FITTING, 6801-6-6						
40	1	11083	FITTING, 6801-6-6-LL						
41	1	04533	FITTING, 6801-8-8-LL						
42	2	04210	FITTING, 6802-8-8						
43	1	14345	DECAL, IGNITION, GLOW / START						
44	1	14346	DECAL, TOOL F-N-R CONTROLS						
45	1	04451-09	DECAL, "READ OWNERS MANUAL"						
46	1	03040-11	DECAL, "BARRETO", 2-3/16 X 7-3/8						
47	1	04451-SYMBOLS	DECAL, SAFETY GEAR SYMBOLS						



BARRETO

TITLE: CONTROL ASSEMBLY
 HYDAC VALVE
 PRODUCT LINE: TKL
 SCALE: 1:12
 SHEET 1 OF 2
 DWG# 00560 H1



TITLE: CONTROL ASSEMBLY

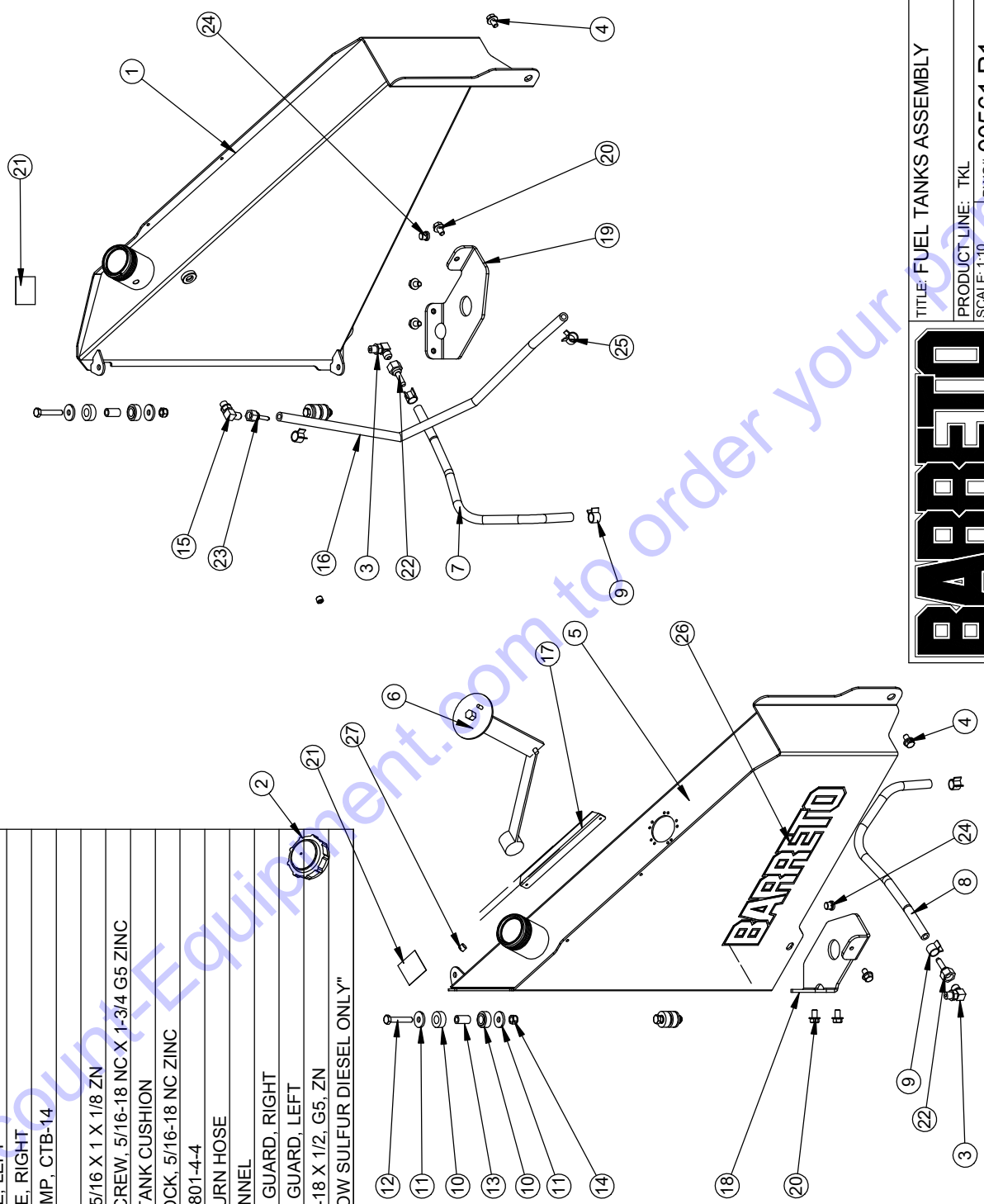
PRODUCT LINE: MINI SKID

SCALE: 1:12 DWG# 00560 H1

BARRETO

Go to DiscountParts.com to order your parts

ITEM NO.	QTY.	PART NO.	DESCRIPTION	ITEM NO.	QTY.	PART NO.	DESCRIPTION	RELEASE DATE	XX/XX/XXXX
1	1	13106L R2	FUEL TANK, LEFT	22	2	04214-5-5	HOSE BARB, -5-5	REVISED DATE	NEW
2	2	03062-D	FUEL TANK CAP, GREEN / DIESEL	23	1	04246	HOSE BARB, -4-3 BARB	REVISION #	0
3	2	04555-05	FITTING, 6801-5-4	24	2	03300	FITTING, 6409-4 PLUG		
4	2	05520	HH FLANGE SCREW, 5/16-18 NC X 1/2 G8 ZINC	25	2	05449	HOSE CLAMP, 3/16 FUEL LINE		
5	1	13106R R2	FUEL TANK, RIGHT	26	2	03040-02	DECAL, "BARRETO", 3-1/2 X 11-1/4		
6	1	13191-1	FUEL GAUGE SENDER	27	2	05023	PIPE PLUG, 1/8"		
7	1	13183-L	FUEL HOSE, LEFT						
8	1	13183-R	FUEL HOSE, RIGHT						
9	4	05617	HOSE CLAMP, CTB-14						
10	8	11113	CUSHION						
11	8	05399	WASHER, 5/16 X 1 X 1/8 ZN						
12	4	05054	HH CAP SCREW, 5/16-18 NC X 1-3/4 G5 ZINC						
13	4	13270-90	SPACER, TANK CUSHION						
14	4	05273	NUT, NYLOCK, 5/16-18 NC ZINC						
15	1	04555	FITTING, 6801-4-4						
16	1	13183-RET	FUEL RETURN HOSE						
17	1	13288 R1	WIRE CHANNEL						
18	1	14390	FUEL LINE GUARD, RIGHT						
19	1	14390L	FUEL LINE GUARD, LEFT						
20	6	05131	HHFS 5/16-18 X 1/2, G5, ZN						
21	2	14352	DECAL, "LOW SULFUR DIESEL ONLY"						



BARRETO

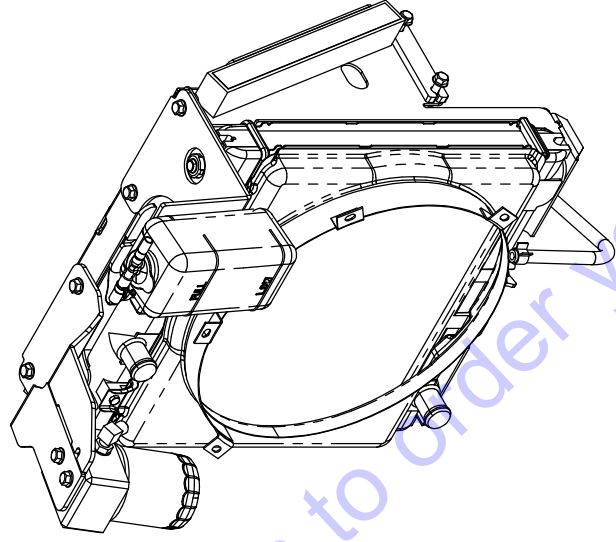
TITLE: FUEL TANKS ASSEMBLY

PRODUCT LINE: TKL

SCALE: 1:10

SHEET 1 OF 1 DWG# 00561 R1

ITEM NO.	QTY.	PART NO.	DESCRIPTION	ITEM NO.	QTY.	PART NO.	DESCRIPTION
1	4	13196 [1]	RADIATOR CUSHION, 1G93272181	22	1	13230-4	OIL FILTER NIPPLE
2	3	13195	HH CAP SCREW, M6-1.0 X 15MM 8.8 ZINC	23	2	05567	HHFS 5/16-18 X 3/4, G8, ZN
3	1	13194 [1]	RADIATOR, KUBOTA 1G347-72061	24	1	04538	FITTING, 6801-6-6
4	1	13117	RADIATOR BRACKET	25	1	11083	FITTING, 6801-6-6-LL
5	1	13115	TOP MOUNT	26	1	13214	FUEL FILTER MOUNT
6	7	05131	HHFS 5/16-18 X 1/2, G5, ZN	27	1	13230-5 [1]	FUEL FILTER W/ VALVE
7	1	13262	EDGE SEAL	28	1	05568	HH CAP SCREW, 5/16-18 NC X 2-1/2 G5 ZINC
8	4	05566	HHFS 5/16-18 X 1-1/4, G5, ZN	29	1	05273	NUT, NYLOCK, 5/16-18 NC ZINC
9	2	13231	SPACER	30	2	05411	HHFS 1/4-20 X 1/2, G5, ZN
10	4	05002	NUT, GRIPCO, 5/16-18 NC G5 ZINC	31	1	13183-P	FUEL HOSE, TO ENGINE
11	4	05365	CLIP NUT, 1/4-20	32	2	13019	ADHESIVE FOAM SEAL
12	2	05556	HH CAP SCREW, 1/4-20 NC X 1-3/4 G5 ZINC	33	1	13180 R1	FUEL JUNCTION
13	1	13183-F	FUEL HOSE, TO FILTER				
14	4	05617	HOSE CLAMP, CTB-14				
15	3	04612	FITTING, 4601-5-6				
16	2	05081	WASHER, 1/4 SAE ZINC				
17	1	13260B-1	FILTER MOUNT				
18	1	13230-2 [1]	KUBOTA OIL FILTER				
19	1	13230-3 [1]	COOLANT RESERVOIR				
20	1	14305	RESERVOIR MOUNT				
21	1	14385	FILTER HEAD				



[1] THESE PARTS AVAILABLE FROM KUBOTA DEALERS

REF. 18: KUBOTA PART 16271-32093

REF. 19: KUBOTA PART 1553172403

REF. 27: KUBOTA PART 1G31343013

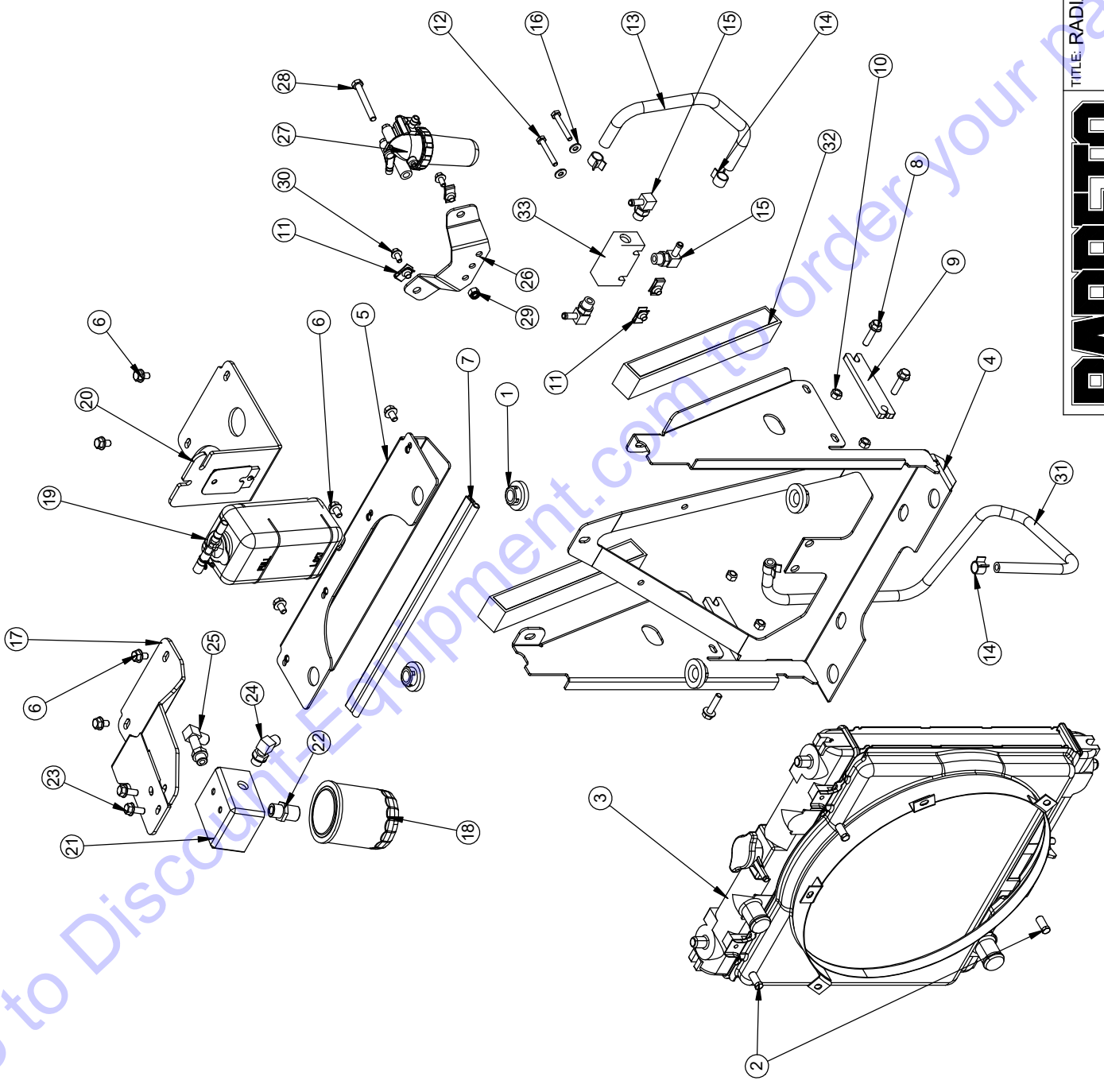
BARRETO

TITLE: RADIATOR ASSEMBLY

PRODUCT LINE: MINI SKID DATE: 11-15

SCALE: 1:8

SHEET 1 OF 2 DWG# 00563



TITLE: RADIATOR ASSEMBLY

PRODUCT LINE: MINI SKID

DATE:

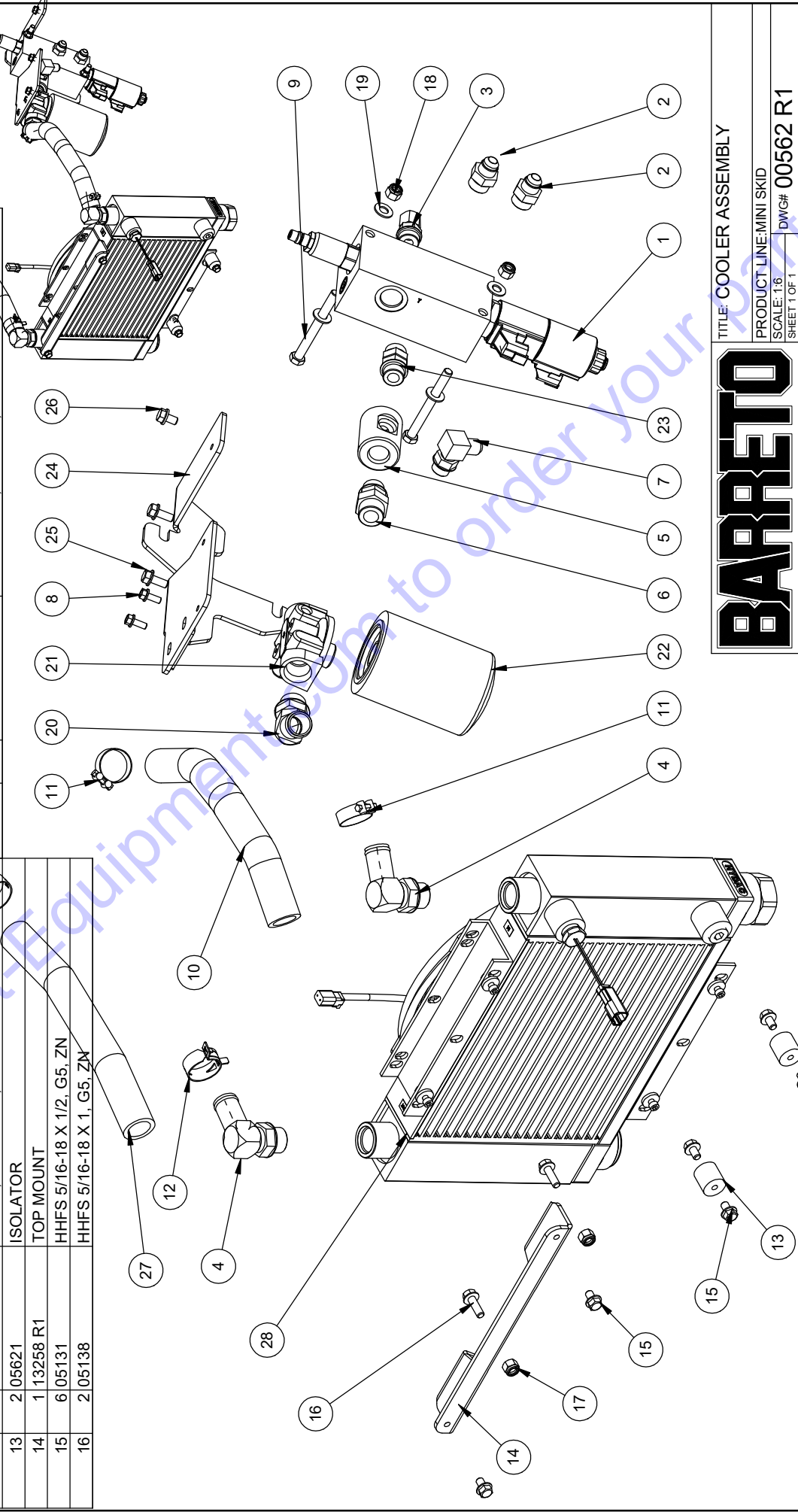
SCALE: 1:8

DWG# 00563

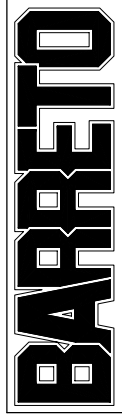
SHEET 2 OF 2

BARRETO

ITEM NO.	QTY.	PART NO.	DESCRIPTION	ITEM NO.	QTY.	PART NO.	DESCRIPTION
1	1	13186	AUXILIARY VALVE, COMATROL 11172619	17	2	05073	NUT, NYLOCK, 3/8-16 NC ZINC
2	2	04522	FITTING, 6400-8-10	18	2	05072	NUT, NYLOCK, 3/8-24 NF ZINC
3	1	04557	FITTING, 6802-8-10	19	4	05101	WASHER, 3/8 SAE ZINC
4	2	04530	FITTING, 4601-16-12	20	1	10456	FITTING, 4603-16-12
5	1	13719	JUNCTION	21	1	04212-OR-U	FILTER HEAD, #12 O-RING, BOTH TAPPED
6	1	11006	FITTING, 6407-12-10	22	1	03952	FILTER, HYDRAULIC OIL, WITH BY-PASS
7	1	04554	FITTING, 6801-8-8	23	1	04521	FITTING, 6407-10-10
8	2	05069	WHIZ-LOCK 1/4 - 20 X 5/8	24	1	13263B	AUX VALVE MOUNT
9	2	05313	HH CAP SCREW, 3/8-24 NF X 3-3/4 G8 ZN	25	2	05567	HHFS 5/16-18 X 3/4, G8, ZN
10	1	13279 R1	COOLER HOSE	26	1	05520	HH FLANGE SCREW, 5/16-18 NC X 1/2 G8 ZINC
11	2	05487	HOSE CLAMP, 1" SCREW CLAMP	27	1	14319	RETURN HOSE, UPPER
12	2	05225	CLAMP, 1" ID HOSE, CTB-35 ST	28	1	12901F	OIL COOLER, FLIPPED, HYDAC
13	2	05621	ISOLATOR				
14	1	13258 R1	TOP MOUNT				
15	6	05131	HHFS 5/16-18 X 1/2, G5, ZN				
16	2	05138	HHFS 5/16-18 X 1, G5, ZN				

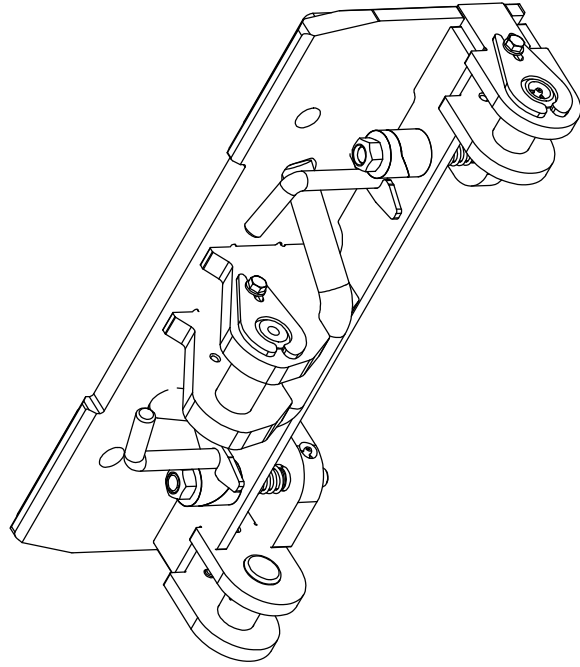
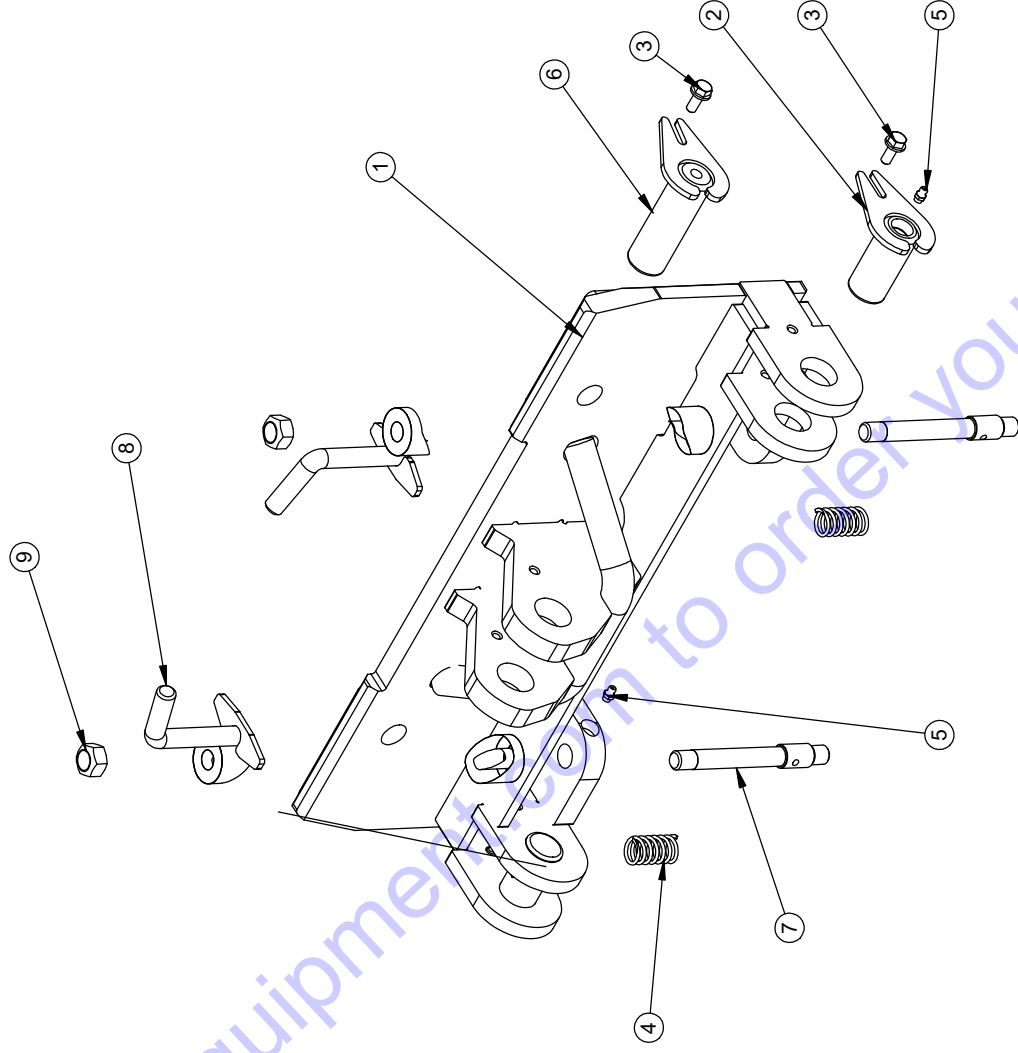


TITLE: COOLER ASSEMBLY
 PRODUCT LINE: MINI SKID
 SCALE: 1:6
 SHEET 1 OF 1
 DWG# 00562 R1



ITEM NO.	QTY.	PART NO.	DESCRIPTION
1	1	12969C	ATTACHMENT PLATE
2	2	13276	MOUNT PLATE PIN
3	3	05131	HH FLANGE SCREW, 5/16-18 NC X 3/4 G8 ZINC
4	2	03355	SPRING
5	4	05044	GREASE ZERK, 1/4-28 UNF
6	1	12991	TILT PIN
7	2	12985C	ATTACHMENT PIN
8	2	14393	PIN CAM
9	2	05456	NUT, GRIPCO, 5/8-11 NC G5 ZINC

RELEASE DATE	XX/XX/XXXX
REVISED DATE	NEW
REVISION #	0



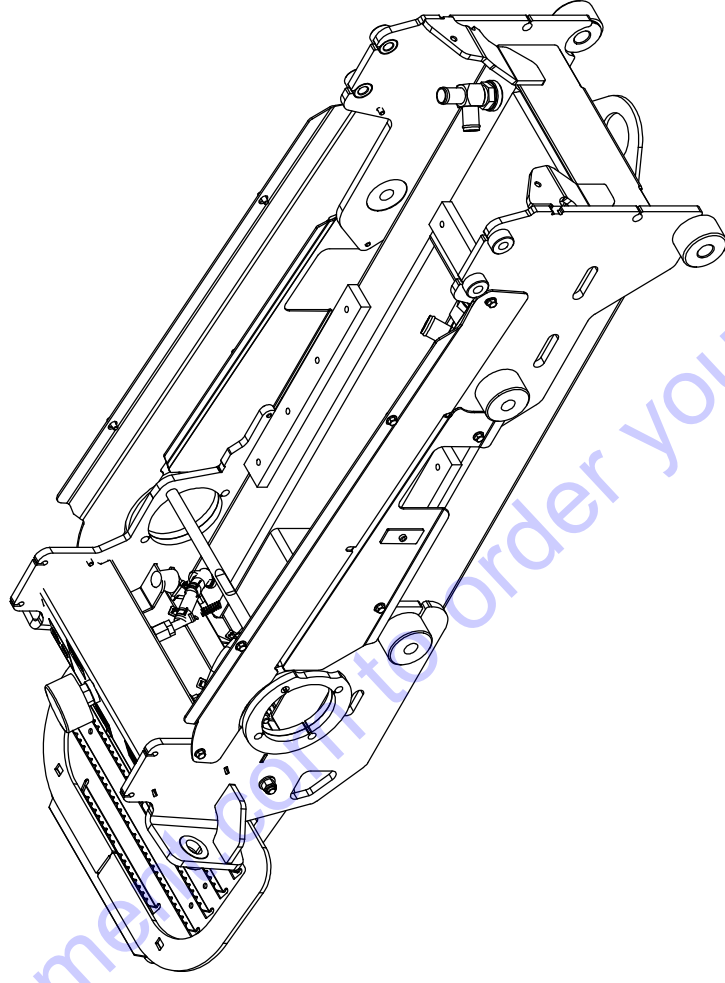
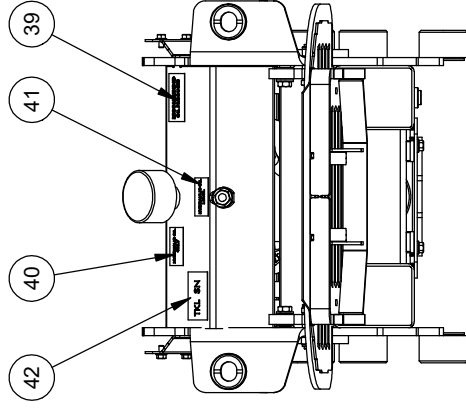
TITLE: TOOL MOUNT ASSEMBLY

BARRETO

PRODUCT LINE:
SCALE: 1:6
SHEET 1 OF 1

DWG# 00564C

ITEM NO.	QTY.	PART NO.	DESCRIPTION
1	1	12928 H	FRAME / TANK
2	1	12976	RIDE PLATFORM
3	1	13001	SKID PLATE
4	4	05567	HHFS 5/16-18 X 3/4, G8, ZN
5	4	05138	HHFS 5/16-18 X 1, G5, ZN
6	1	03503	SIGHT GAUGE
7	1	12998	FILLER / VENT CAP
8	4	12131	CLAMP, 1/2" HOSE, CTB-20
9	1	14383	FILL HOSE
10	3	04216	FITTING, 4603-8-8
11	1	14384	VENT HOSE
12	1	04574	FITTING, 4604-8-8
13	1	13273	BRACE ROD
14	2	05273	NUT, NYLOCK, 5/16-18 NC ZINC
15	4	05187	HHFS 3/8-16 X 5/8, G5, ZN
16	4	05098	NUT, NYLOCK, 1/2-13 NC ZINC
17	6	05102	WASHER, 1/2 SAE ZINC HARDENED
18	4	11180	HH CAP SCREW, 1/2-13 NC X 2-1/4 G5 ZINC
19	1	10361	FITTING, 6409-8 PLUG
20	1	04237	HYD ADAPTER, 6410-32-24
21	1	12982	SUCTION SCREEN, SAE 32 100
22	2	11258	RUBBER BUMPER
23	2	14468	RIDE PLATE BUSHING
24	1	04236	FITTING, 4601-20-24
25	1	13298	BRACE ROD
26	2	10326	NUT, 1/2-13 NC G5 ZINC
27	1	13299	STUD, 1/2-13 X 2.75, G5, PLATED
28	1	16575P	FITTING, 4605-16-16-16 P4
29	1	13135-R2	LOWER COVER, RH
30	1	13135-L2	LOWER COVER, LH
31	1	13207-R	FENDER, RH
32	4	05131	HHFS 5/16-18 X 1/2, G5, ZN
33	1	13207-L	FENDER, LH
34	1	103370	PROXIMITY SWITCH
35	1	13282 R1	SWITCH TRIGGER
36	2	05051	WHIZ-LOCK 1/4 - 20 X 1/2
37	1	04611	FITTING, 6410-8-8
38	1	04560	FITTING, 6400-4-4
39	1	03346	DECAL "RECOMMENDED OIL PRODUCTS"
40	1	03040-06	DECAL "HYDRAULIC OIL ONLY"
41	1	03040-57	DECAL "HYDRAULIC OIL LEVEL"
42	1	14340-01	DECAL, "TKL SN"
43	1	05620	SPRING LEE LC-042G-14
44	2	14493	RIDE PLATE BUSHING
45	4	10958	RUBBER BUSHING

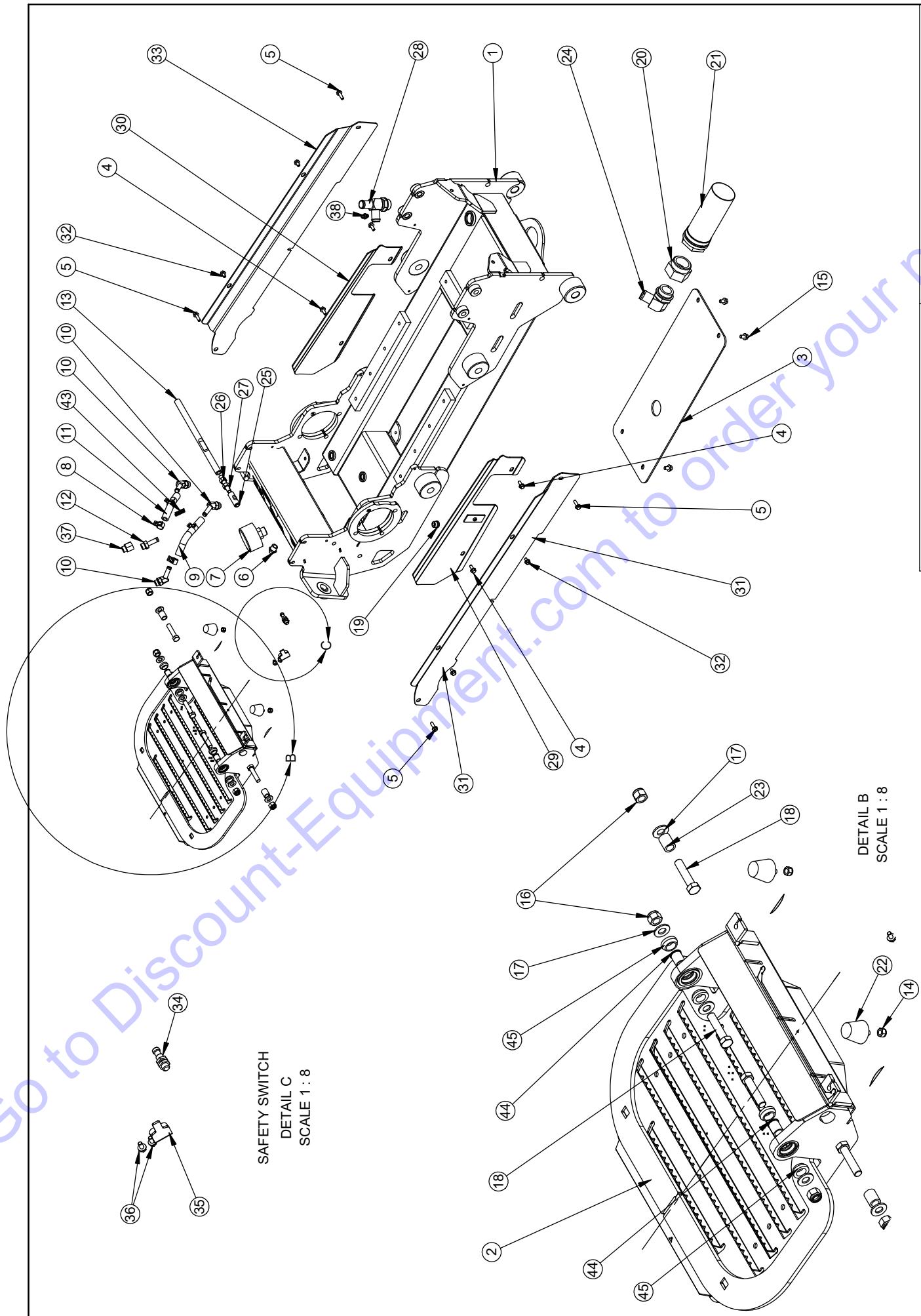


TITLE: DRIVE FRAME

BARRETO

PRODUCT LINE: MINI SKID
 SCALE: 1:16
 SHEET 1 OF 2
 DATE: 6-2021
 DWG# 00566

BARRETT

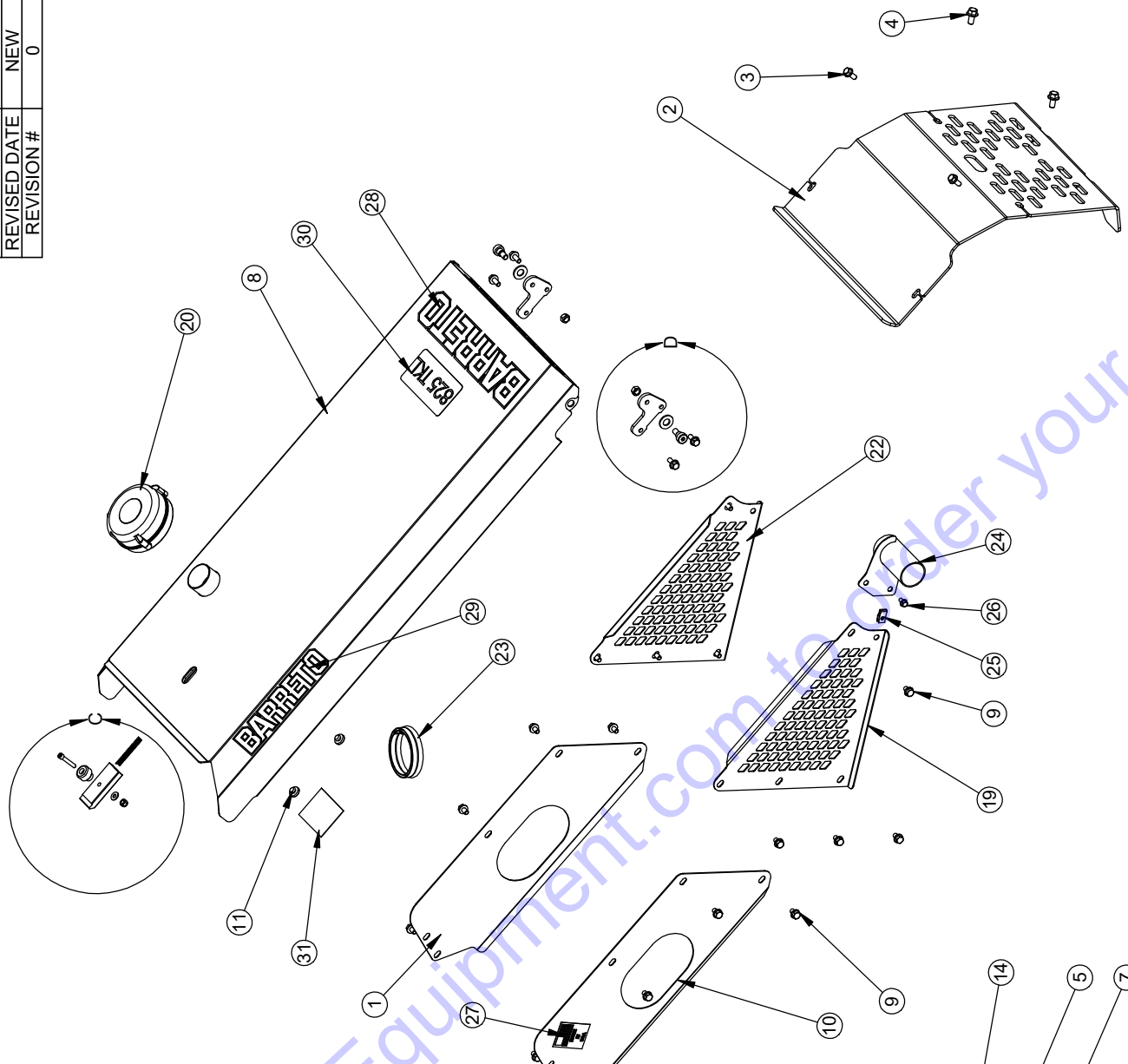


SAFETY SWITCH
DETAIL C
SCALE 1 : 8

DETAIL B
SCALE 1 : 8

RELEASE DATE	10/24/2017
REVISED DATE	NEW
REVISION #	0

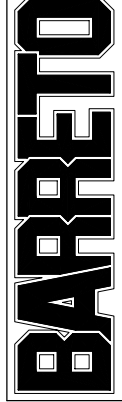
ITEM NO.	QTY.	PART NO.	DESCRIPTION
1	1	13125L R1	SIDE COVER, LH
2	1	13131 R1	FRONT GUARD
3	6	05567	HHFS 5/16-18 X 3/4, G8, ZN
4	2	05377	HHFS 3/8-16 X 3/4, G5, ZN
5	2	13224	HOOD PIVOT
6	2	05185	SHSB, 1/2S X 3/8SL X 3/8 NC, BK OX
7	2	05102	WASHER, 1/2 SAE ZINC HARDENED
8	1	13129 R1	HOOD
9	17	05520	HH FLANGE SCREW, 5/16-18 NC X 1/2 G8 ZINC
10	1	13125R R1	SIDE COVER, RH
11	4	13130	BUTTON BUMPER, E-4270, 3/4 X 3/16
12	1	13252	LATCH KNOB
13	1	13255	SPRING
14	2	05358	NUT, GRIPCO, 3/8-16 NC G8 ZINC
15	1	13251	LATCH
16	1	05126	SH CAP SCREW, 1/4-20 NC X 1-1/2 ZINC
17	1	05081	WASHER, 1/4 SAE ZINC
18	1	05096	NUT, NYLOCK, 1/4-20 NC ZINC
19	1	13136R R1	SIDE SCREEN, RH
20	1	06120	AIR PRE-CLEANER
21	1	05131	HHFS 5/16-18 X 1/2, G5, ZN
22	1	13136L R1	SIDE SCREEN, LH
23	1	13250 R1	INTAKE SEAL
24	1	14416	EXHAUST EXIT
25	1	05365	CLIP NUT, 1/4-20
26	1	05051	WHIZ-LOCK 1/4 - 20 X 1/2
27	2	03040-01	DECAL, "MADE IN USA"
28	1	03040-02	DECAL, "BARRETO", 3-1/2 X 11-1/4
29	2	03040-11	DECAL, "BARRETO", 2-3/16 X 7-3/8
30	1	14351	DECAL, 825 TKL
31	1	104456	DECAL "TKL GREASE CHART"



DETAIL C
SCALE 1 : 6

DETAIL D
SCALE 1 : 6

TITLE: FRONT COVERS

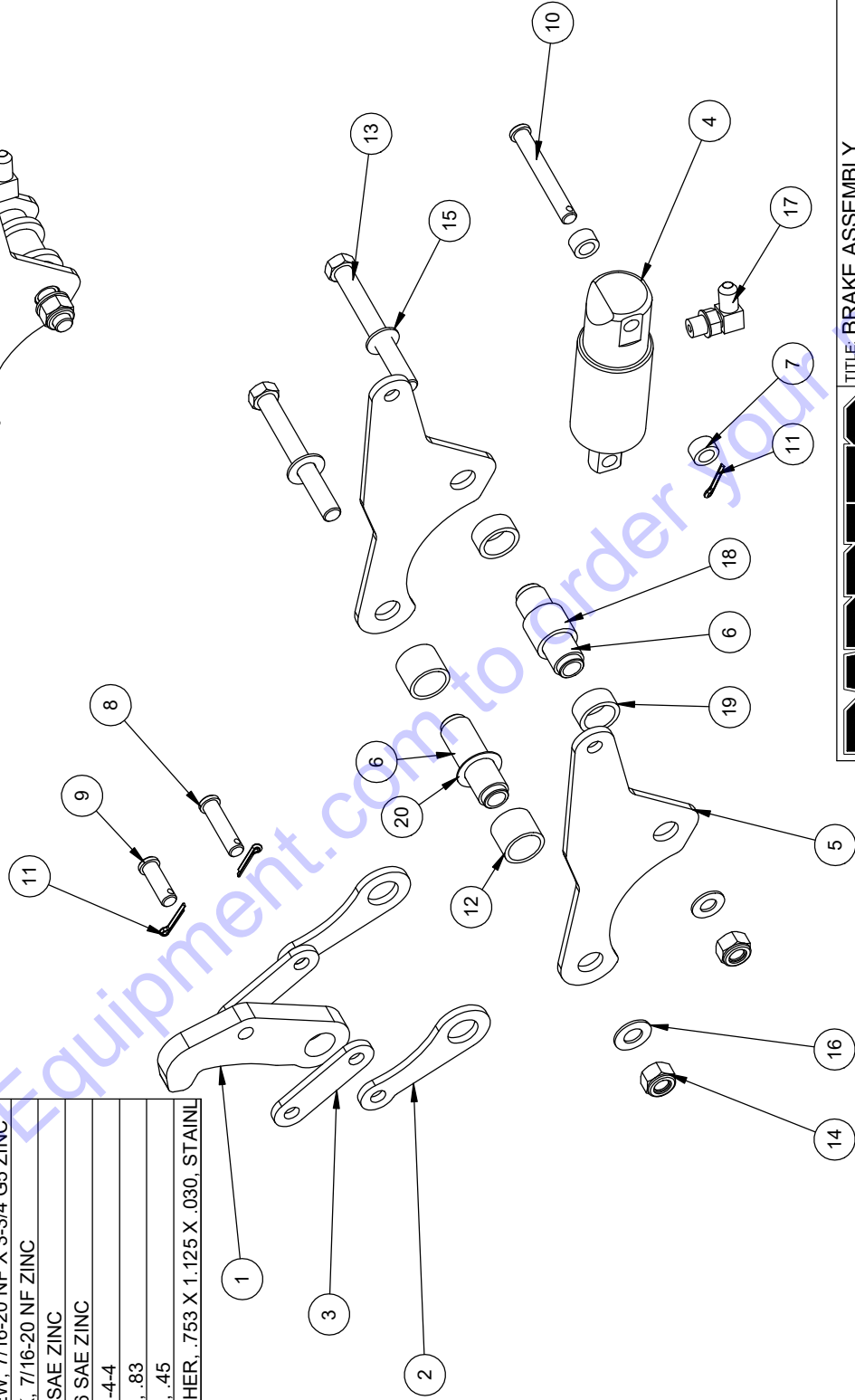
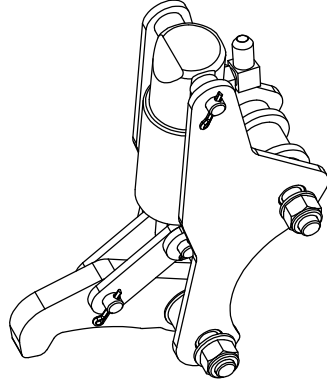
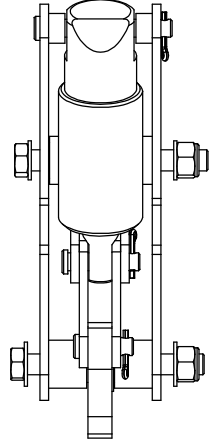


PRODUCT LINE: MINI SKID

SCALE: 1:12
SHEET 1 OF 1
DWG# 005665

RELEASE DATE	XX/XX/XXXX
REVISED DATE	NEW
REVISION #	0

ITEM NO.	QTY.	PART NO.	DESCRIPTION
1	1	14437	PAWL
2	2	14438	LOWER LINK
3	2	14439	UPPER LINK
4	1	00590	BRAKE CYLINDER
5	2	14440	MOUNTS
6	2	14441	SPACER
7	2	14442	CYLINDER SPACER
8	1	05472	CLEVIS PIN, 3/8 X 1-1/2 ZINC
9	1	05473	CLEVIS PIN, 3/8 X 1-1/8 ZINC
10	1	12054	CLEVIS PIN, 3/8 X 2-3/4 ZINC
11	3	05222	COTTER PIN 1/8 X 3/4
12	2	14443	PAWL SPACER
13	2	05461	HH CAP SCREW, 7/16-20 NF X 3-3/4 G5 ZINC
14	2	05077	NUT, NYLOCK, 7/16-20 NF ZINC
15	2	05101	WASHER, 3/8 SAE ZINC
16	2	05544	WASHER, 7/16 SAE ZINC
17	1	04555	FITTING, 6801-4-4
18	1	14419-0.83	LINK SPACER, .83
19	2	14419-0.45	LINK SPACER, .45
20	1	103083	THRUST WASHER, .753 X 1.125 X .030, STAINL



TITLE: BRAKE ASSEMBLY

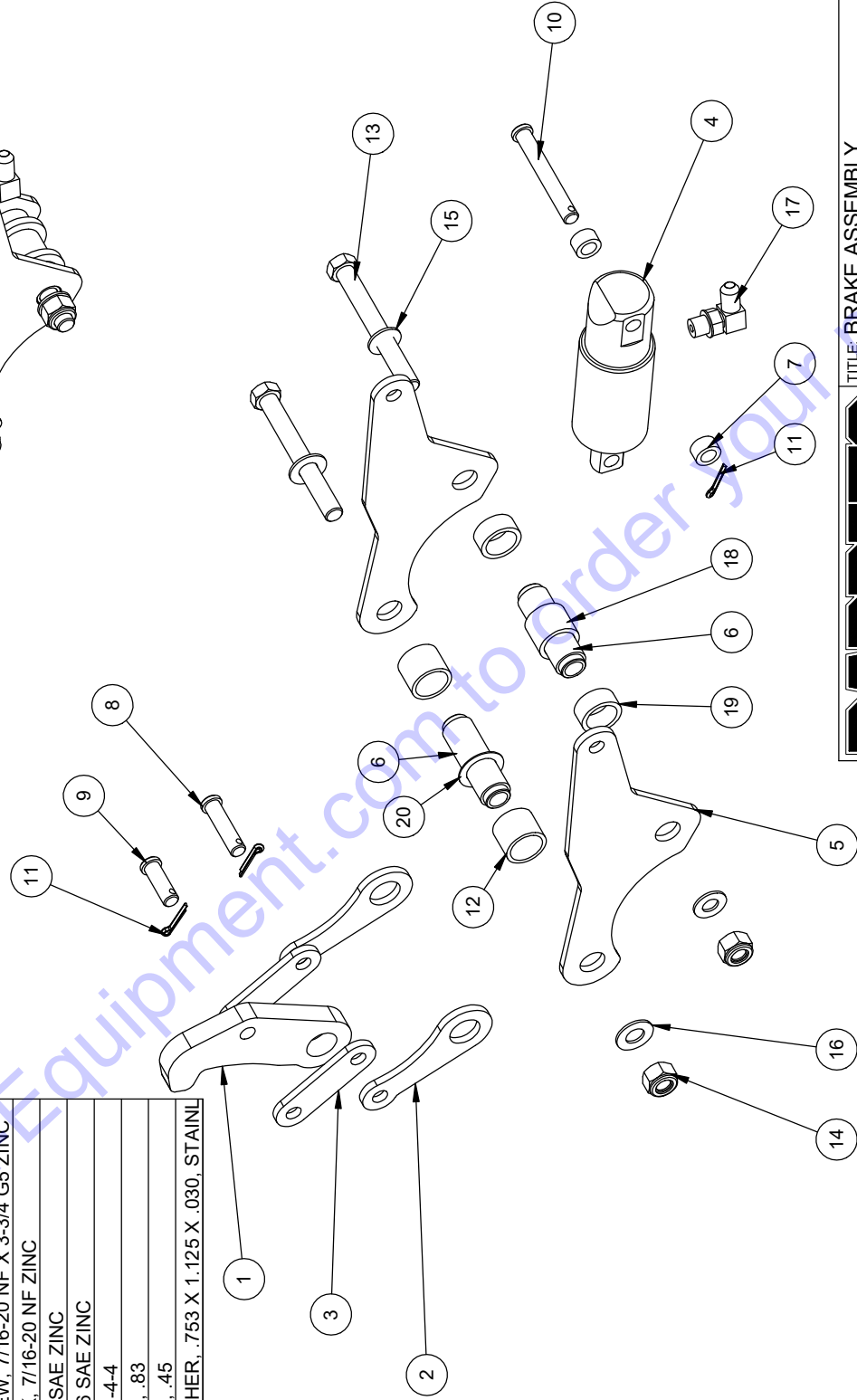
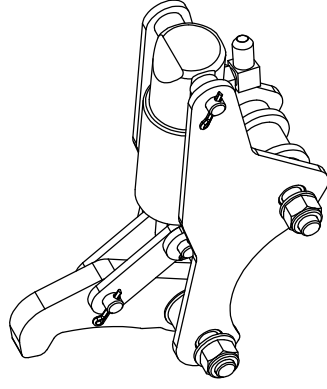
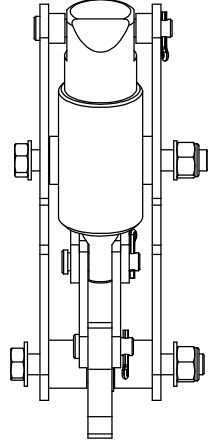
BARRETO

PRODUCT LINE: TKL
SCALE: 1:4
SHEET 1 OF 1

DWG# 00569 H2

RELEASE DATE	XX/XX/XXXX
REVISED DATE	NEW
REVISION #	0

ITEM NO.	QTY.	PART NO.	DESCRIPTION
1	1	14437	PAWL
2	2	14438	LOWER LINK
3	2	14439	UPPER LINK
4	1	00590	BRAKE CYLINDER
5	2	14440	MOUNTS
6	2	14441	SPACER
7	2	14442	CYLINDER SPACER
8	1	05472	CLEVIS PIN, 3/8 X 1-1/2 ZINC
9	1	05473	CLEVIS PIN, 3/8 X 1-1/8 ZINC
10	1	12054	CLEVIS PIN, 3/8 X 2-3/4 ZINC
11	3	05222	COTTER PIN 1/8 X 3/4
12	2	14443	PAWL SPACER
13	2	05461	HH CAP SCREW, 7/16-20 NF X 3-3/4 G5 ZINC
14	2	05077	NUT, NYLOCK, 7/16-20 NF ZINC
15	2	05101	WASHER, 3/8 SAE ZINC
16	2	05544	WASHER, 7/16 SAE ZINC
17	1	04555	FITTING, 6801-4-4
18	1	14419-0.83	LINK SPACER, .83
19	2	14419-0.45	LINK SPACER, .45
20	1	103083	THRUST WASHER, .753 X 1.125 X .030, STAINL



TITLE: BRAKE ASSEMBLY

BARRETO

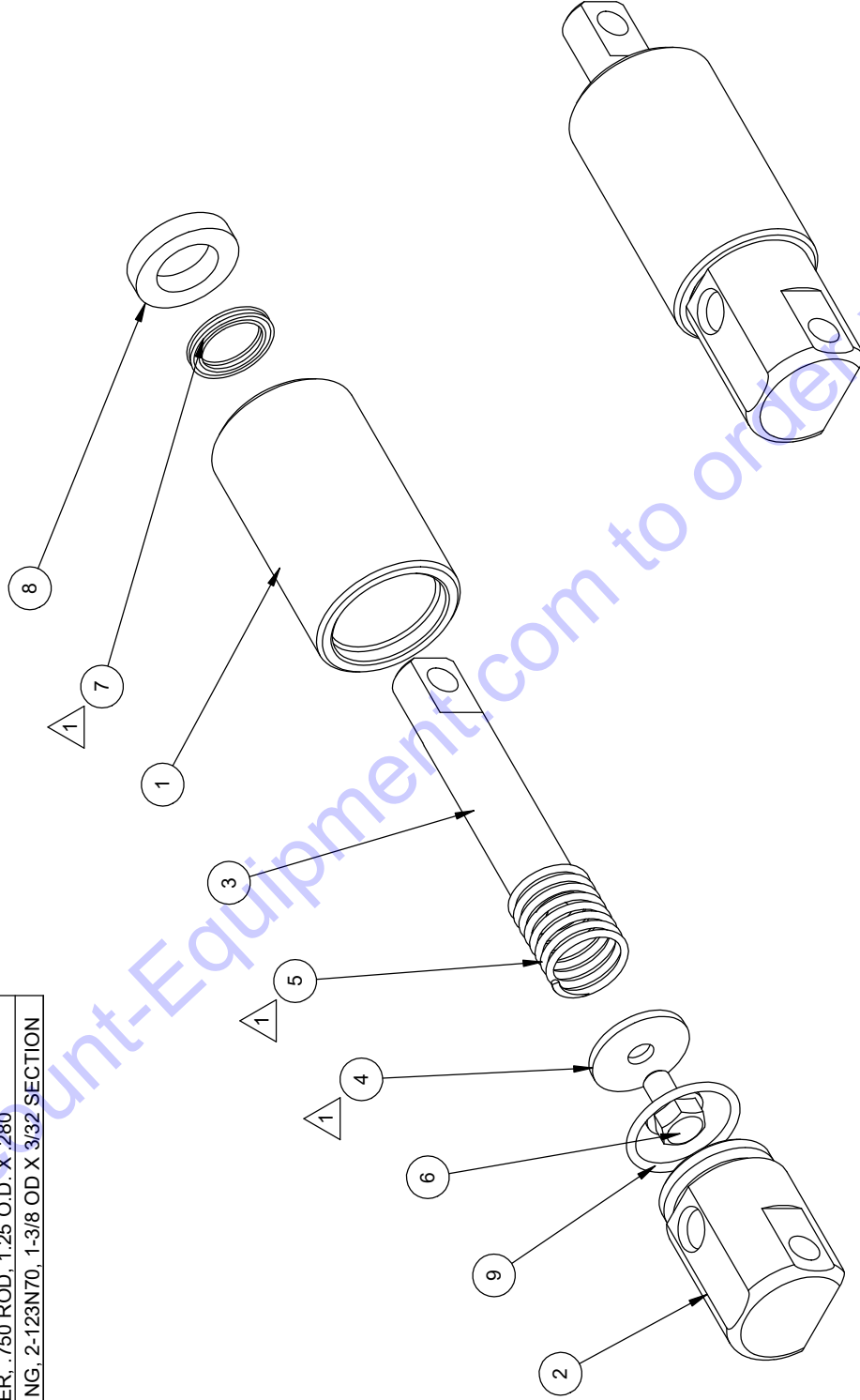
PRODUCT LINE: TKL
SCALE: 1:4
SHEET 1 OF 1

DWG# 00569 H2

ITEM NO.	QTY.	PART NO.	DESCRIPTION
1	1	14444	BRAKE CYLINDER
2	1	14445	CYLINDER END
3	1	14434X2	BRAKE ROD
4	1	14449	STOP WASHER
5	1	05623	SPRING, LEE LC 085L 05
6	1	05131	HHFS 5/16-18 X 1/2, G5, ZN
7	1	03379	ROD SEAL, 3/4 X 1 X 1/8
8	1	03314	WIPER, .750 ROD, 1.25 O.D. X .280
9	1	13910	O-RING, 2-123N70, 1-3/8 OD X 3/32 SECTION

RELEASE DATE	XXXXXXXXXX
REVISED DATE	NEW
REVISION #	0

△ 1 REVISED PART SPEC.



TITLE: BRAKE CYLINDER

BARRETO

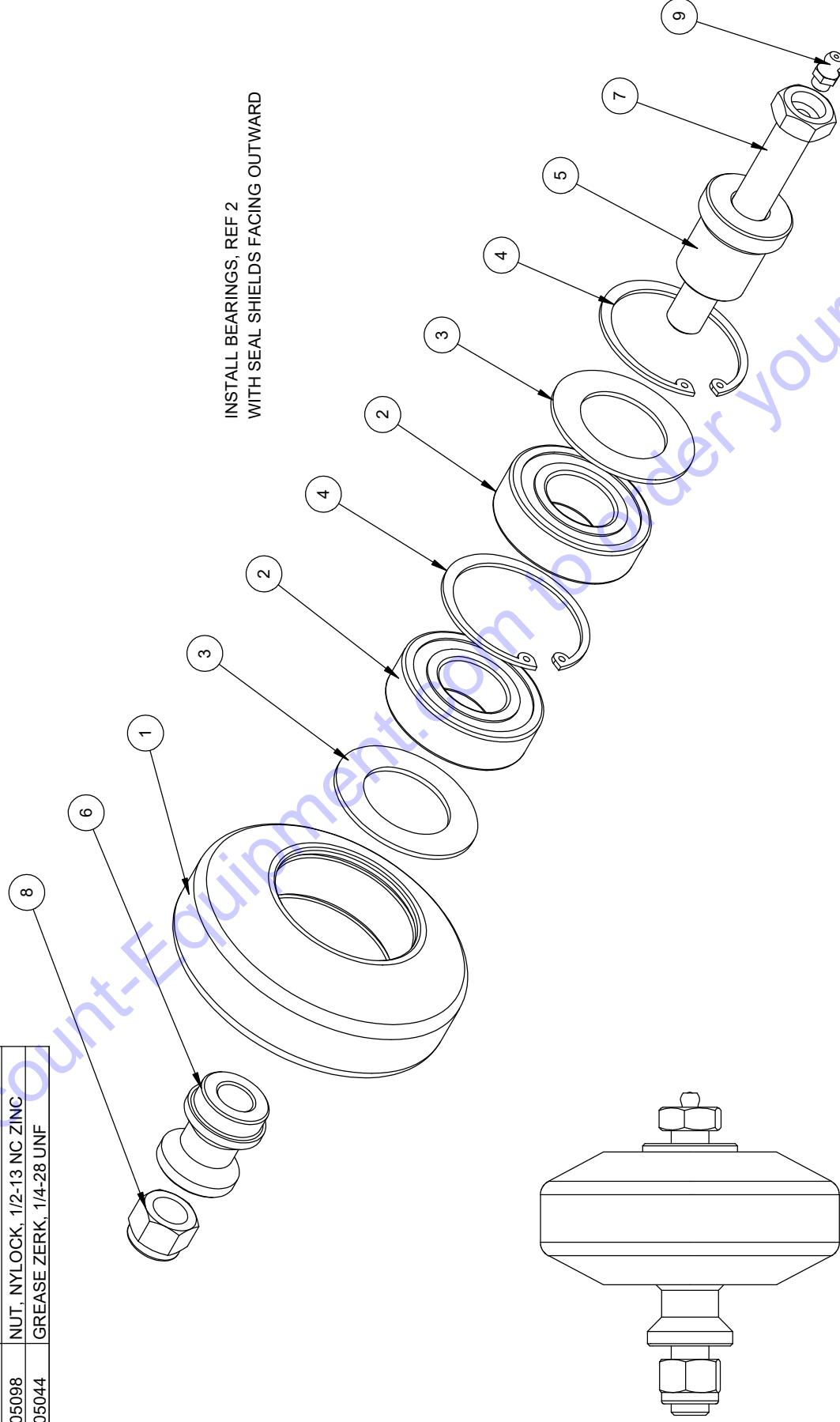
PRODUCT LINE: TKL

SCALE: 1:2 DWG# 00590

SHEET 1 OF 1

ITEM NO.	QTY.	PART NO.	DESCRIPTION
1	1	14462	SUPPORT ROLLER
2	2	03043-MS	BALL BEARING, 6205, 1 SHIELD
3	2	01039	SHIELD, ROLLER BEARING
4	2	05024	SNAP RING, HO-200, 2" INTERNAL
5	1	14460	ROLLER SPACER
6	1	11144	ROLLER SPACER
7	1	14461	ROLLER AXLE
8	1	05098	NUT, NYLOCK, 1/2-13 NC ZINC
9	1	05044	GREASE ZERK, 1/4-28 UNF

RELEASE DATE	XXXXXXXXXX
REVISED DATE	NEW
REVISION #	0



INSTALL BEARINGS, REF 2
WITH SEAL SHIELDS FACING OUTWARD

BARRETO

TITLE: SUPPORT ROLLER

PRODUCT LINE:TKL

SCALE:1:2

SHEET 1 OF 1

DWG# 14462-ASY

PARTS FINDER

**Search Website
by Part Number**



**Search Manual
Library For Parts
Manual & Lookup Part
Numbers – Purchase
or Request Quote**

Search Manuals

Enter your information to help us find the right parts manual for your machine.

* Brand:

* Model:

* Serial:

* Part Number:

SEARCH

**Can't Find Part or
Manual? Request Help
by Manufacturer,
Model & Description**

Parts Order Form

Please fill in the following information to help us find the right part for your machine.

Manufacturer:	<input type="text"/>
Model:	<input type="text"/>
Description:	<input type="text"/>
Part Number:	<input type="text"/>
Quantity:	<input type="text"/>
Notes:	<input type="text"/>
Submit	<input type="button" value="Submit"/>

Discount-Equipment.com is your online resource for quality parts & equipment.

Florida: **561-964-4949** Outside Florida TOLL FREE: **877-690-3101**

Need parts?

Click on this link: <http://www.discount-equipment.com/category/5443-parts/> and choose one of the options to help get the right parts and equipment you are looking for. Please have the machine model and serial number available in order to help us get you the correct parts. If you don't find the part on the website or on one of the online manuals, please fill out the request form and one of our experienced staff members will get back to you with a quote for the right part that your machine needs.

We sell worldwide for the brands: Genie, Terex, JLG, MultiQuip, Mikasa, Essick, Whiteman, Mayco, Toro Stone, Diamond Products, Generac Magnum, Airman, Haulotte, Barreto, Power Blanket, Nifty Lift, Atlas Copco, Chicago Pneumatic, Allmand, Miller Curber, Skyjack, Lull, Skytrak, Tsurumi, Husquvarna Target, Stow, Wacker, Sakai, Mi-T-M, Sullair, Basic, Dynapac, MBW, Weber, Bartell, Bennar Newman, Haulotte, Ditch Runner, Menegotti, Morrison, Contec, Buddy, Crown, Edco, Wyco, Bomag, Laymor, EZ Trench, Bil-Jax, F.S. Curtis, Gehl Pavers, Heli, Honda, ICS/PowerGrit, IHI, Partner, Imer, Clipper, MMD, Koshin, Rice, CH&E, General Equipment, Amida, Coleman, NAC, Gradall, Square Shooter, Kent, Stanley, Tamco, Toku, Hatz, Kohler, Robin, Wisconsin, Northrock, Oztec, Toker TK, Rol-Air, APT, Wylie, Ingersoll Rand / Doosan, Innovatech, Con X, Ammann, Mecalac, Makinex, Smith Surface Prep, Small Line, Wanco, Yanmar