

# PARTS MANUAL



*Mikasa* SERIES  
**MODEL MTX60SF**  
**TAMPING RAMMER**  
**(ROBIN ER120D45010 GASOLINE ENGINE)**

Revision #3 (11/03/21)



THIS MANUAL MUST ACCOMPANY THE EQUIPMENT AT ALL TIMES.

# PARTS FINDER

**Search Website  
by Part Number**



**Search Manual  
Library For Parts  
Manual & Lookup Part  
Numbers – Purchase  
or Request Quote**

**Search Manuals**

Enter your information to help us find the right parts manual for your machine.

\* Brand:

\* Model:

\* Serial:

\* Part Number:

SEARCH

**Can't Find Part or  
Manual? Request Help  
by Manufacturer,  
Model & Description**

**Parts Order Form**

Please fill in the following information to help us find the right part for your machine.

Manufacturer:	<input type="text"/>
Model:	<input type="text"/>
Description:	<input type="text"/>
Part Number:	<input type="text"/>
Quantity:	<input type="text"/>
Notes:	<input type="text"/>

Discount-Equipment.com is your online resource for quality parts & equipment.

Florida: **561-964-4949** Outside Florida TOLL FREE: **877-690-3101**

**Need parts?**

Click on this link: <http://www.discount-equipment.com/category/5443-parts/> and choose one of the options to help get the right parts and equipment you are looking for. Please have the machine model and serial number available in order to help us get you the correct parts. If you don't find the part on the website or on one of the online manuals, please fill out the request form and one of our experienced staff members will get back to you with a quote for the right part that your machine needs.

We sell worldwide for the brands: Genie, Terex, JLG, MultiQuip, Mikasa, Essick, Whiteman, Mayco, Toro Stone, Diamond Products, Generac Magnum, Airman, Haulotte, Barreto, Power Blanket, Nifty Lift, Atlas Copco, Chicago Pneumatic, Allmand, Miller Curber, Skyjack, Lull, Skytrak, Tsurumi, Husquvarna Target, Stow, Wacker, Sakai, Mi-T-M, Sullair, Basic, Dynapac, MBW, Weber, Bartell, Bennar Newman, Haulotte, Ditch Runner, Menegotti, Morrison, Contec, Buddy, Crown, Edco, Wyco, Bomag, Laymor, EZ Trench, Bil-Jax, F.S. Curtis, Gehl Pavers, Heli, Honda, ICS/PowerGrit, IHI, Partner, Imer, Clipper, MMD, Koshin, Rice, CH&E, General Equipment, Amida, Coleman, NAC, Gradall, Square Shooter, Kent, Stanley, Tamco, Toku, Hatz, Kohler, Robin, Wisconsin, Northrock, Oztec, Toker TK, Rol-Air, APT, Wylie, Ingersoll Rand / Doosan, Innovatech, Con X, Ammann, Mecalac, Makinex, Smith Surface Prep, Small Line, Wanco, Yanmar

# TABLE OF CONTENTS

## MTX60SF Rammer

Explanation Of Code In Remarks Column.....	4
Suggested Spare Parts .....	5

## Rammer Component Drawings

Nameplate And Decals.....	6-7
Crankcase And Engine Assembly .....	8-11
Guide Cylinder Assembly .....	12-13
Foot Assembly .....	14-15
Fuel Tank And Handle Assembly.....	16-19
Combination Lever Assembly .....	20-21

## Robin ER120D45010 Engine Component Drawings

Crankcase Assembly .....	22-23
Crankshaft And Piston Assembly .....	24-25
Intake And Exhaust Assembly .....	26-27
Governor And Operation Assembly .....	28-29
Cooling Assembly .....	30-31
Starting Assembly .....	32-33
Carburetor Assembly .....	34-35
Electric Device Assembly .....	36-37

### NOTICE

Specifications and part numbers are subject to change without notice.

# EXPLANATION OF CODE IN REMARKS COLUMN

The following section explains the different symbols and remarks used in the Parts section of this manual. Use the help numbers found on the back page of the manual if there are any questions.

**NOTICE**

The contents and part numbers listed in the parts section are subject to change **without notice**. Multiquip does not guarantee the availability of the parts listed.

## SAMPLE PARTS LIST

NO.	PART NO.	PART NAME	QTY.	REMARKS
1	12345	BOLT .....	1	INCLUDES ITEMS W/%
2%		WASHER, 1/4 IN. ....		NOT SOLD SEPARATELY
2%	12347	WASHER, 3/8 IN. ...	1	MQ-45T ONLY
3	12348	HOSE .....	A/R	MAKE LOCALLY
4	12349	BEARING .....	1	S/N 2345B AND ABOVE

## NO. Column

**Unique Symbols** — All items with same unique symbol (@, #, +, %, or >) in the number column belong to the same assembly or kit, which is indicated by a note in the “Remarks” column.

**Duplicate Item Numbers** — Duplicate numbers indicate multiple part numbers, which are in effect for the same general item, such as different size saw blade guards in use or a part that has been updated on newer versions of the same machine.

**NOTICE**

When ordering a part that has more than one item number listed, check the remarks column for help in determining the proper part to order.

## PART NO. Column

**Numbers Used** — Part numbers can be indicated by a number, a blank entry, or TBD.

TBD (To Be Determined) is generally used to show a part that has not been assigned a formal part number at the time of publication.

A blank entry generally indicates that the item is not sold separately or is not sold by Multiquip. Other entries will be clarified in the “Remarks” Column.

## QTY. Column

**Numbers Used** — Item quantity can be indicated by a number, a blank entry, or A/R.

A/R (As Required) is generally used for hoses or other parts that are sold in bulk and cut to length.

A blank entry generally indicates that the item is not sold separately. Other entries will be clarified in the “Remarks” Column.

## REMARKS Column

Some of the most common notes found in the “Remarks” Column are listed below. Other additional notes needed to describe the item can also be shown.

**Assembly/Kit** — All items on the parts list with the same unique symbol will be included when this item is purchased.

Indicated by:

“INCLUDES ITEMS W/(unique symbol)”

**Serial Number Break** — Used to list an effective serial number range where a particular part is used.

Indicated by:

“S/N XXXXX AND BELOW”

“S/N XXXX AND ABOVE”

“S/N XXXX TO S/N XXX”

**Specific Model Number Use** — Indicates that the part is used only with the specific model number or model number variant listed. It can also be used to show a part is NOT used on a specific model or model number variant.

Indicated by:

“XXXXX ONLY”

“NOT USED ON XXXX”

**“Make/Obtain Locally”** — Indicates that the part can be purchased at any hardware shop or made out of available items. Examples include battery cables, shims, and certain washers and nuts.

**“Not Sold Separately”** — Indicates that an item cannot be purchased as a separate item and is either part of an assembly/kit that can be purchased, or is not available for sale through Multiquip.

## SUGGESTED SPARE PARTS

### MTX60SF TAMPING RAMMER WITH ROBIN ER120D45010 ENGINE

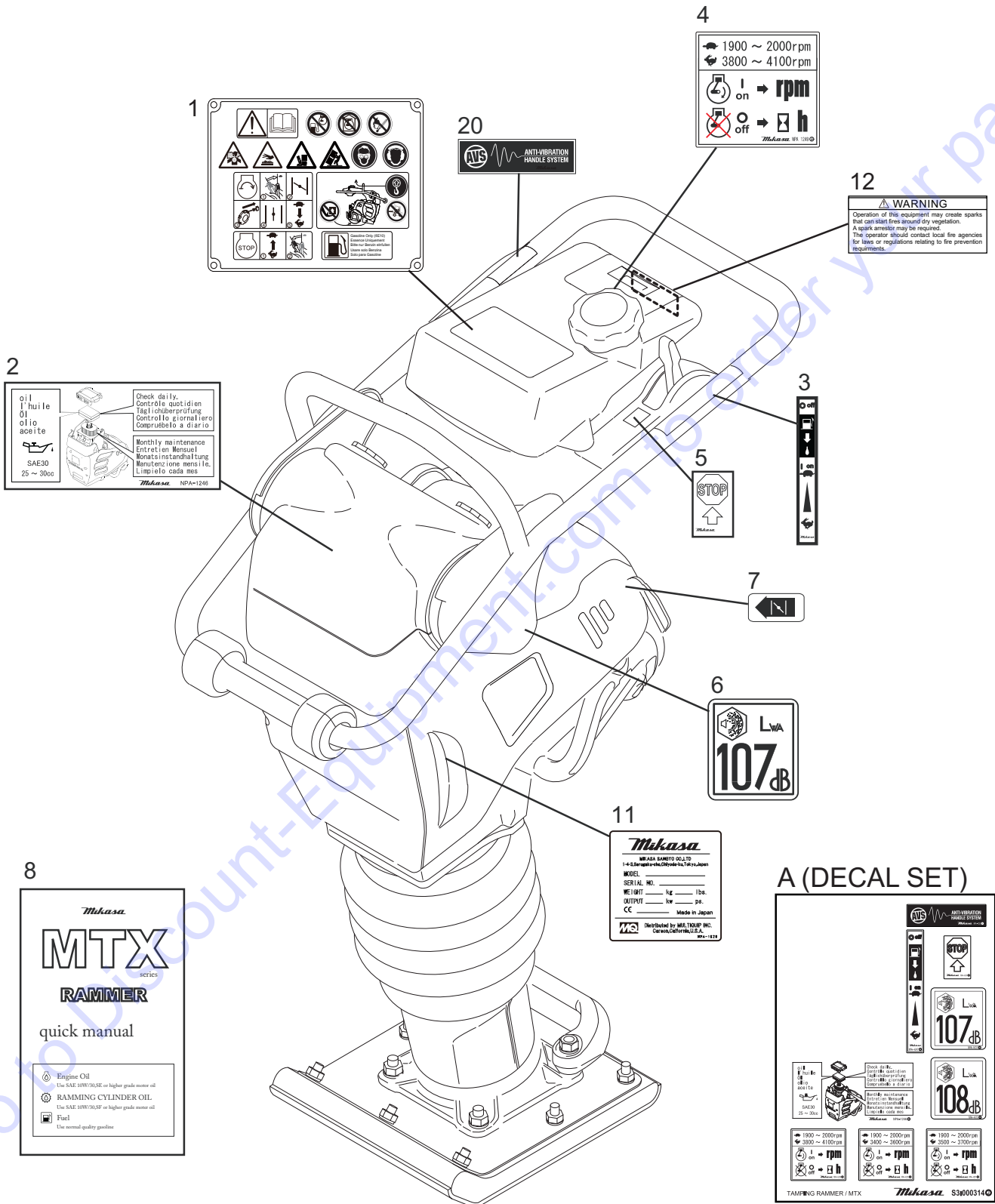
#### 1 to 3 units

Qty.	P/N	Description
1	956100062	THROTTLE WIRE
3	366010070	PRIMARY ELEMENT, AIR CLEANER
3	366010080	SECONDARY ELEMENT, AIR CLEANER
1	366350460	CAP, FUEL TANK WITH STRAP
2	26365012A3	FILTER, IN-LINE FUEL
3	0650140860	SPARK PLUG
1	954406010	STRAINER, #110 FUEL TANK
1	21E5011008	ROPE, RECOIL STARTER
1	956200110	COMBINATION LEVER
1	366900170	CUP AND PACKING SET
1	366348550	CLUTCH ASSY.

#### NOTICE

Part numbers on this Suggested Spare Parts list may supersede/replace the part numbers shown in the following parts lists.

# NAMEPLATE AND DECALS



1

2

oil  
l'huile  
öl  
olio  
aceite

Check daily.  
Contrôle quotidien  
Tägliche Überprüfung  
Controllo giornaliero  
Compruébalo a diario

Monthly maintenance  
Entretien Mensuel  
Monatsinsstandhaltung  
Manutenzi one mensile  
Limpeza mensal

Mikasa NPA-1246

20

4

1900 ~ 2000rpm  
3800 ~ 4100rpm

on → rpm  
off → h

Mikasa 09 1210

12

**WARNING**

Operation of this equipment may create sparks that can start fires around dry vegetation. A spark arrester may be required. The operator should contact local fire agencies for laws or regulations relating to fire prevention requirements.

3

5

7

6

LWA  
107dB

11

**Mikasa**

MIKASA KAWAYO OIL LTD  
1-4-1, Higashi-cho, Ohta-ku, Tokyo, Japan

MODEL: \_\_\_\_\_  
SERIAL NO.: \_\_\_\_\_  
WEIGHT: \_\_\_\_\_ kg \_\_\_\_\_ lbs  
OUTPUT: \_\_\_\_\_ kw \_\_\_\_\_ ps  
CC: \_\_\_\_\_

Made in Japan

Distributed by: M&S, 1203P INC.  
Cerritos, CA 94540, U.S.A.  
MEX-11274

8

**Mikasa**

**MTX**  
series

**RAMMER**

quick manual

Engine Oil  
Use SAE 10W/30SE or higher grade motor oil

RAMMING CYLINDER OIL  
Use SAE 10W/30SF or higher grade motor oil

Fuel  
Use normal quality gasoline

A (DECAL SET)

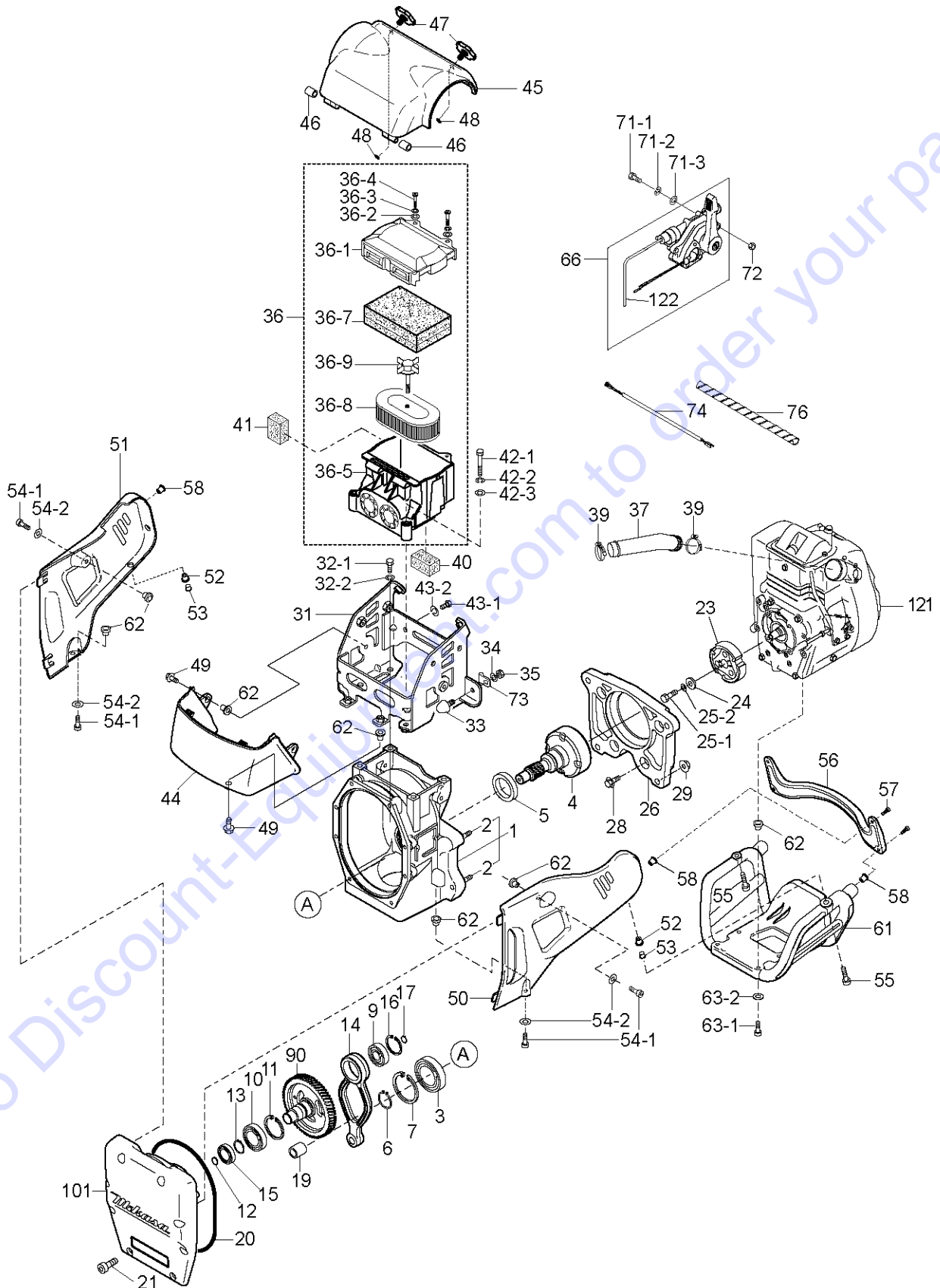
TAMMING RAMMER / MTX Mikasa S340003140

## NAMEPLATE AND DECALS

<u>NO.</u>	<u>PART NO.</u>	<u>PART NAME</u>	<u>QTY.</u>	<u>REMARKS</u>
A	920900040	DECAL, SET .....	1	INCLUDES ITEMS W/#
1	920215440	OPERATION DECAL	1	
2#		AIR CLEANER DECAL .....	1	NPA-1246
3#		LEVER OPERATION DECAL	1	
4#		MAX SPEED DECAL 4100	1	
5#		MACHINE STOP DECAL	1	
6#		EC NOISE REQ. DECAL LWA107	1	
7	0732004430	CHOKE OPERATION DECAL .....	1	REPLACES P/N 920212840
8	920212540	QUICK MANUAL	1	
11		SERIAL PLATE NO. ....	1	CONTACT PARTS DEPT.
12	920214100	E/G FIRE WARNING. DECAL	1	
20#		ANTI-VIB. HANDLE DECAL	1	

Go to Discount-Equipment.com to order your parts

# CRANKCASE AND ENGINE ASSY.

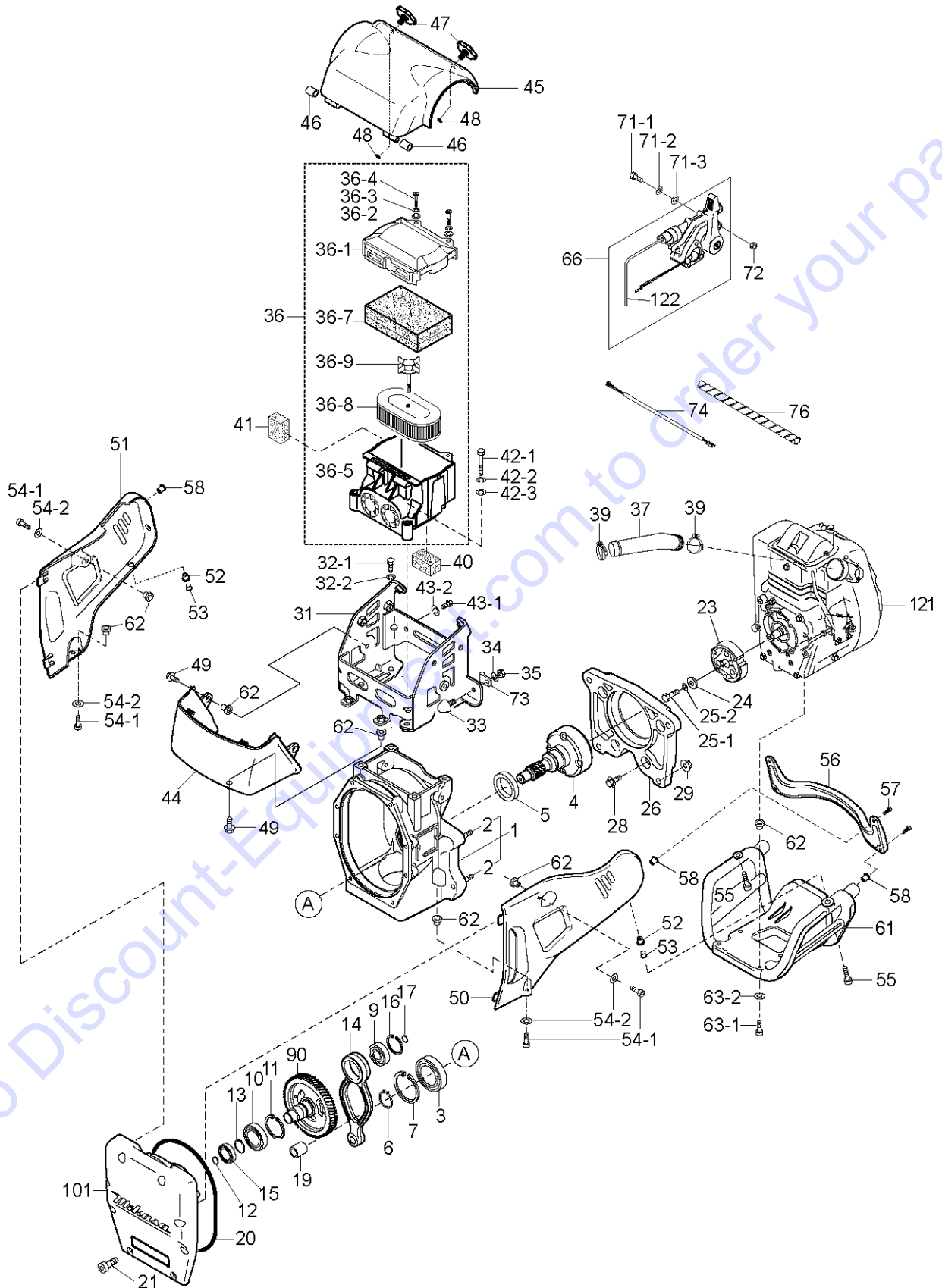




## CRANKCASE AND ENGINE ASSY.

<u>NO.</u>	<u>PART NO.</u>	<u>PART NAME</u>	<u>QTY.</u>	<u>REMARKS</u>
1	368910010	CRANKCASE CP.....	1.....	INCLUDES ITEM W/@ REPLACES P/N 368119170
2@	009120204	STUD BOLT 10X50X21T/21S	4	
3	041006007	BEARING	1	
4	368347410	PINION DRUM	1	
5	060404010	OIL SEAL	1	
6	080200350	STOP RING	1	
7	080100620	STOP RING	1	
9	040006304	BEARING	1	
10	040006305	BEARING	1	
11	080100620	STOP RING	1	
12	JISB2804C25	STOP RING.....	1.....	REPLACES P/N 080200250
13	080200170	STOP RING	1	
14	368347250	CONNECTING ROD	1	
15	042506203	BEARING.....	1.....	REPLACES P/N 040006203
16	080100520	STOP RING	1	
17	080200200	STOP RING	1	
19	047940060	NEEDLE BEARING	1	
20	050710100	O-RING	1	
21	009110025	SOCKET HEAD BOLT 8X25 ZN	8	
23	366348550	CLUTCH ASSY.	1	
24	952401450	WASHER 8.5X22X3	1	
25-1	011208025	BOLT 8X25 T.....	1.....	REPLACES P/N 001220825
25-2	030208200	WASHER, LOCK M8	1	
26	368217640	ENGINE FLANGE	1	
28	001710840	FLANGE BOLT 8X40 T	4	
29	022611010	FLANGE NUT M10 H	4	
31	368347490	SHOCK ABSORBER BRACKET	1	
32-1	012010030	BOLT 10X30 H.....	4.....	REPLACES P/N 001221030
32-2	030210250	WASHER, LOCK M10	4	
33	939010270	STOPPER RUBBER	1	
34	030208200	WASHER, LOCK M8	1	
35	020108060	NUT M8.....	1.....	REPLACES P/N 020308060
36	366900010	AIR CLEANER ASSY.....	1.....	INCLUDES ITEMS W/# REPLACES P/N 366118640
36-1#	366010010	AIR CLEANER COVER	1	
36-2#	366010020	WASHER, FLAT M6	2	
36-3#	030206150	WASHER, LOCK M6	2	
36-4#	366010040	COIN BOLT M6	2	
36-5#	366010050	AIR CLEANER BASE CP	1	
36-7#	366010070	PRIMARY ELEMENT CP	1	
36-8#	366010080	SECONDARY ELEMENT	1	
36-9#	362030040	GRIP BPLT CP	1	
37	366350540	INTAKE PIPE	1	
39	954407682	CYCLONE CLAMP	2	
40	366460160	UNDER SEALING FORM	1	

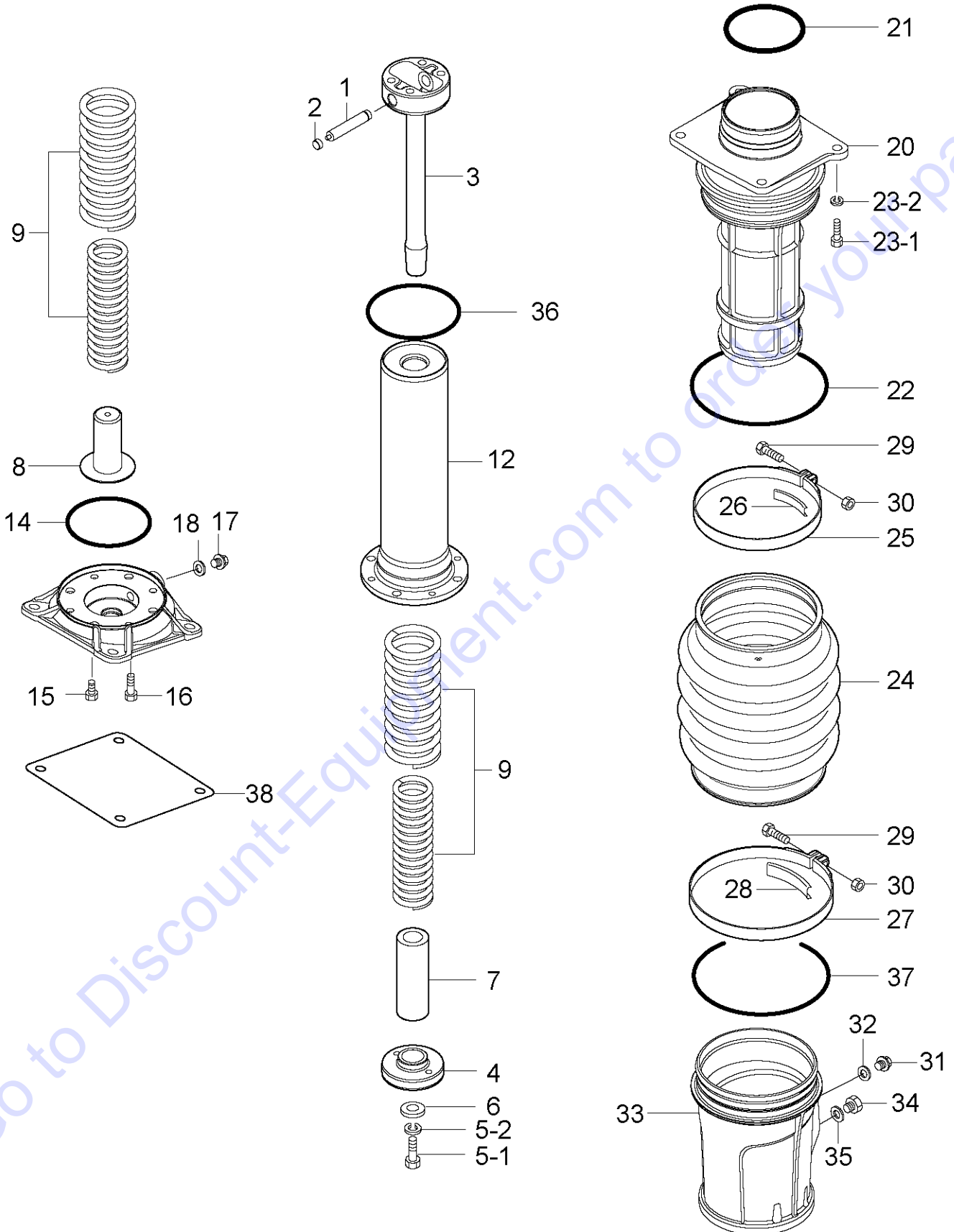
# CRANKCASE AND ENGINE ASSY. (CONT'D.)



## CRANKCASE AND ENGINE ASSY. (CONT'D.)

<u>NO.</u>	<u>PART NO.</u>	<u>PART NAME</u>	<u>QTY.</u>	<u>REMARKS</u>
41	366460150	SIDE SEALING FORM	1	
42-1	001220851	BOLT 8X55 T	2	
42-2	030208200	WASHER, LOCK M8	2	
42-3	0401450080	WASHER, FLAT M8.....	2.....	REPLACES P/N 031108160
43-1	011008015	BOLT 8X15 H.....	2.....	REPLACES P/N 001210815
43-2	030208200	WASHER, LOCK M8	2	
44	368217760	BOTTOM, CLEANER COVER	1	
45	368217750	TOP, CLEANER COVER	1	
46	366460140	RUBBER BUSH 10X16X17	2	
47	366345980	CLEANER COVER KNOB	2	
48	050200060	O-RING P6	2	
49	009110040	FLANGE BOLT 8X20	4	
50	368120510	LINK GUARD	1	
51	368120520	MUFFLER GUARD	1	
52	022910260	WELL NUT M8	2	
53	366460170	FLANGE COLLAR 8	2	
54-1	001520820	SOCKET HEAD BOLT 8X20 ZN.....	4.....	REPLACES P/N 009110024
54-2	033910220	WASHER 8.4X15.5X1.6	4	
55	009110038	SOCKET HEAD BOLT 8X30 ZN	2	
56	368217770	EX BAR	1	
57	009110039	SOCKET HEAD BOLT 6X25 ZN	4	
58	022910250	WELL NUT M6	4	
61	366120430	ENGINE GUARD	1	
62	366461050	COLLAR/GUARD	12	
63-1	009110025	SOCKET HEAD BOLT 8X25 ZN	4	
63-2	033910220	WASHER 8.4X15.5X1.6	4	
66	956200110	LEVER ASSY. W/OUT T. WIRE.....	1.....	INCLUDES ITEMS W/\$
71-1	011206020	BOLT 6X20T.....	2.....	REPLACES P/N 001220620
71-2	030206150	WASHER, LOCK M6	2	
71-3	952404470	WASHER, FLAT M6.....	2.....	REPLACES P/N 031106100
72	020106050	NUT M6.....	2.....	REPLACES P/N 020306050
73	959006120	CLIP	1	
74	367460120	WIRE HARNESS	1	
76	959021814	SPIRAL TUBE KEP6/L=200	1	
90	368347270	CRANK GEAR	1	
101	368010010	FRONT COVER	1	
121	911231205	ENGINE, ER120D45010.....	1.....	REPLACES P/N 911231202
122\$	956100062	THROTTLE WIRE	1	

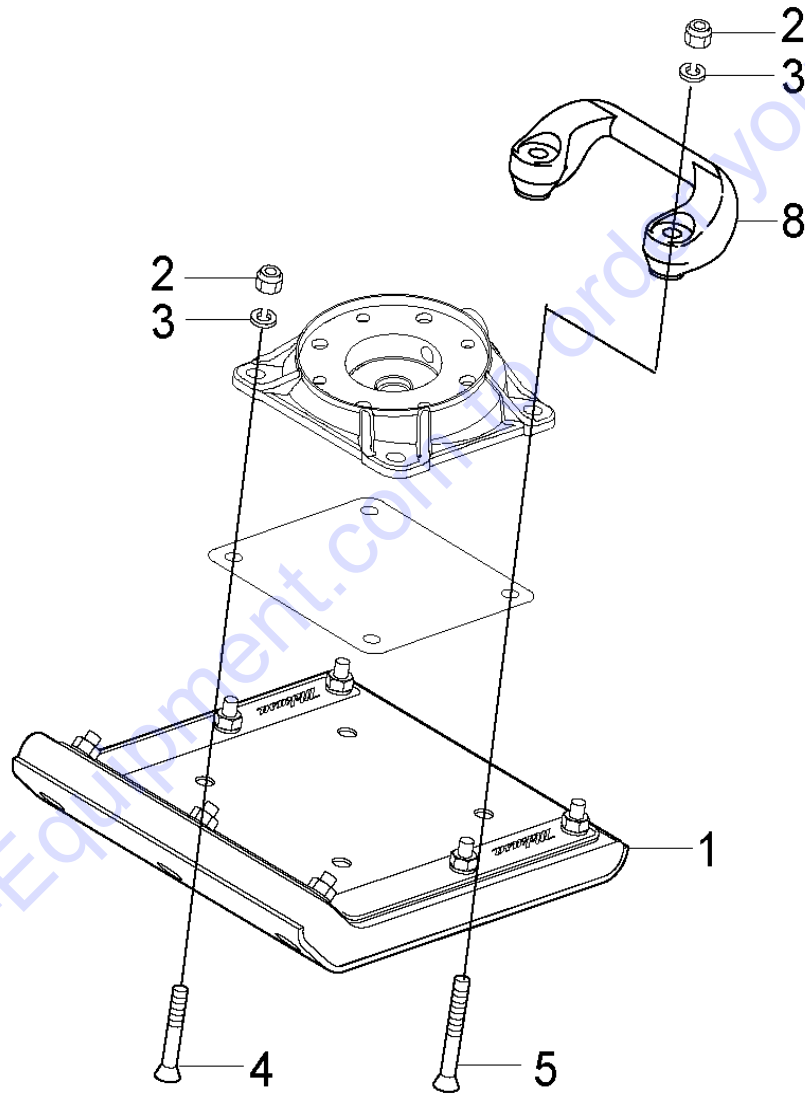
# GUIDE CYLINDER ASSY.



## GUIDE CYLINDER ASSY.

<u>NO.</u>	<u>PART NO.</u>	<u>PART NAME</u>	<u>QTY.</u>	<u>REMARKS</u>
1	368461210	PISTON PIN	1	
2	368459920	PISTON PIN PLUG	2	
3	368347290	PISTON ROD	1	
4	368461160	PISTON END	1	
5-1	001121230	BOLT 12X30 T	1	
5-2	030212300	WASHER, LOCK M12	1	
6	952404790	WASHER	1	
7	368461260	STOPPER, LOWER	1	
8	368461200	STOPPER, BOTTOM	1	
9	368461270	SPRING, MAIN	2	
12	368347281	SPRING, CYLINDER.....	1	REPLACES P/N 368347280
13	368217710	FOOT PLATE	1	
14	050100800	O-RING	1	
15	014210020	SOCKET HEAD BOLT 10X20 T.....	4	REPLACES P/N 001521020
16	001520835	SOCKET HEAD BOLT 8X35 T	4	
17	953405270	PLUG	1	
18	953405260	PACKING	1	
20	368217720	CYLINDER GUIDE	1	
21	050100850	O-RING	1	
22	050101150	O-RING	1	
23-1	012210035	BOLT 10X35 H.....	4	REPLACES P/N 001221035
23-2	030210250	WASHER, LOCK M8	4	
24	368346180	ORANGE BELLOWS	1	
25	368347520	CLAMP, BELLOWS	1	
26	368461400	BAND GUIDE	1	
27	368347530	CLAMP, BELLOWS	1	
28	368461410	BAND GUIDE	1	
29	011008040	BOLT 8X40 T.....	2	REPLACES P/N 001220840
30	020108060	NUT M8.....	2	REPLACES P/N 020308060
31	953405270	PLUG	1	
32	953405260	PACKING	1	
33	368118970	SLEEVE, PROTECTION	1	
34	366460300	OIL GAUGE ASSY.	1	
35	953404670	COPPER PACKING	1	
36	050200800	O-RING	1	
37	050101300	O-RING	1	
38	368347460	FOOT COVER	1	

# FOOT ASSY.

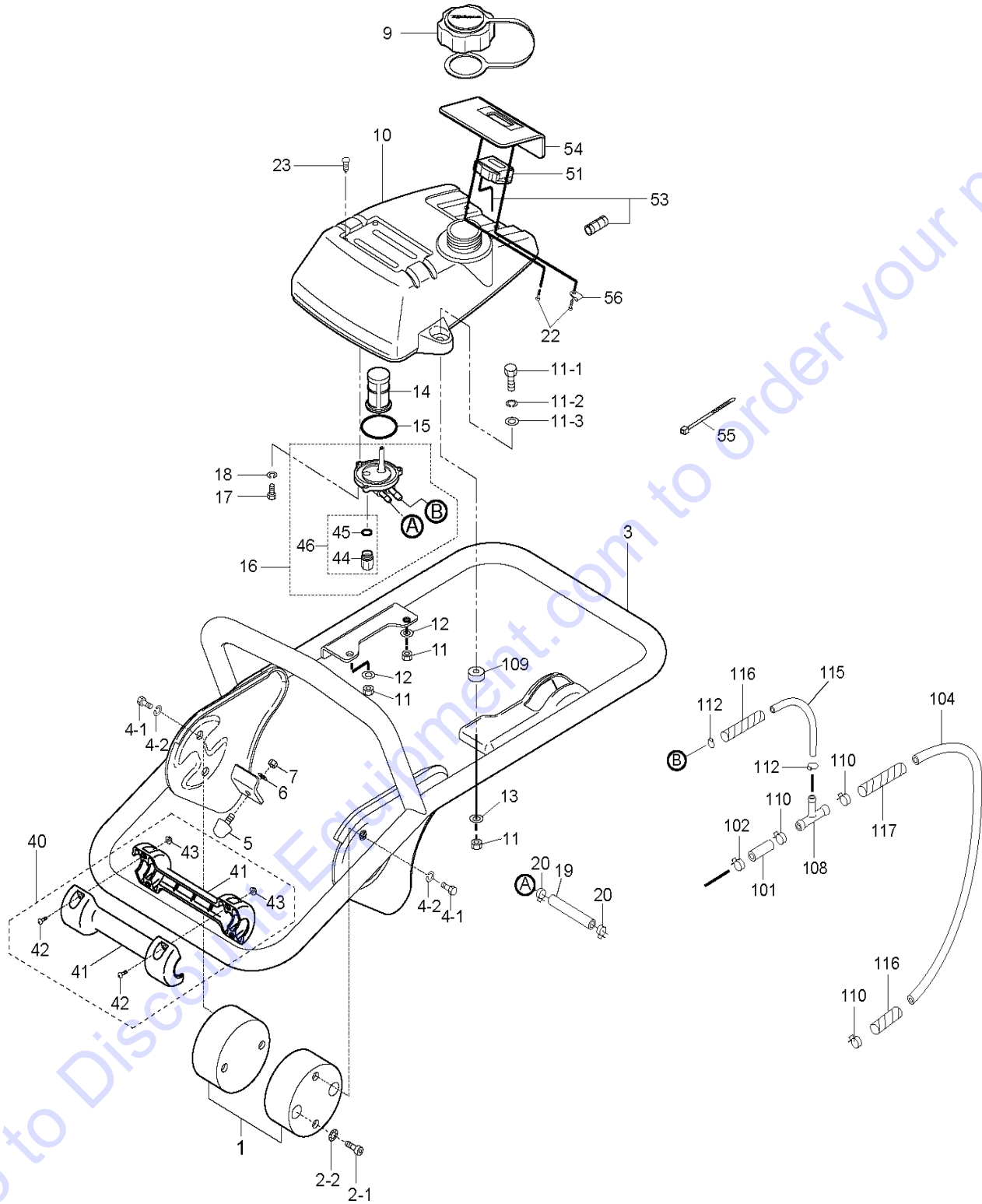


## FOOT ASSY.

<u>NO.</u>	<u>PART NO.</u>	<u>PART NAME</u>	<u>QTY.</u>	<u>REMARKS</u>
1	362910150	FOOT ASSY.	1	
2	021112140	NYLON NUT M12 .....	4	REPLACES P/N 022711214
3	030212300	WASHER, LOCK M12	4	
4	009110034	SQUARE NECK BOLT 12X65	2	
5	009110035	SQUARE NECK BOLT 12X95	2	
8	363343390	HANDLEBAR GRIP (FOOT)	1	

Go to Discount-Equipment.com to order your parts

# FUEL TANK AND HANDLE ASSY.

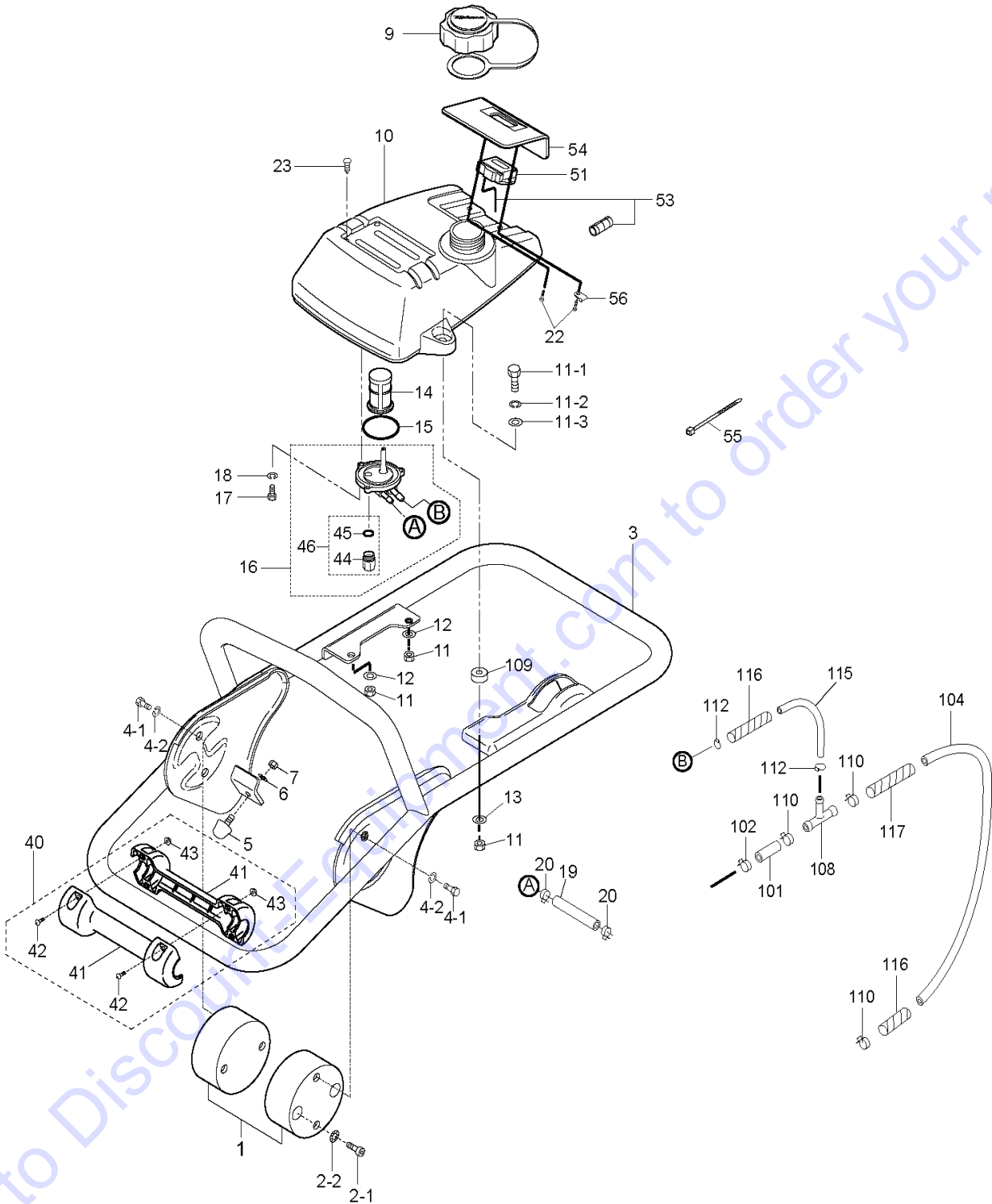




## FUEL TANK AND HANDLE ASSY.

<u>NO.</u>	<u>PART NO.</u>	<u>PART NAME</u>	<u>QTY.</u>	<u>REMARKS</u>
1	368347630	SHOCK ABSORBER W/PIN	2	
2-1	014210020	SOCKET HEAD BOLT 10X20 T.....	4	REPLACES P/N 001521020
2-2	033121009	TOOTHED LOCK WASHER B M10	4	
3	368119572	HANDLE .....	1	REPLACES P/N 368119570
4-1	001211020	BOLT 10X20 H	4	
4-2	030210250	WASHER, LOCK M10	4	
5	939010270	STOPPER, RUBBER	1	
6	030208200	WASHER, LOCK M8	1	
7	020108060	NUT M8.....	1	REPLACES P/N 020308060
9	366350470	CAP ASSY., FUEL TANK	1	
10	366910042	FUEL TANK.....	1	REPLACES P/N 366120250
11	022710809	NYLON NUT M8	3	
11-1	011008035	BOLT 8X35 H3.....	3	REPLACES P/N 001200835
11-2	030208200	WASHER, LOCK M8	3	
11-3	0401450080	WASHER, FLAT M8.....	3	REPLACES P/N 031108160
12	952401450	WASHER, 8.5X22X3	2	
13	0401450080	WASHER, FLAT M8.....	1	REPLACES P/N 031108160
14	954406010	STRAINER #110	1	
15	050250420	PACKING, FUEL TANK	1	
16	366350580	HOLDER, FILTER.....	1	INCLUDES ITEMS W/\$
17	001200515	BOLT 5X15 H	3	
18	030205130	WASHER, LOCK M5	3	
19	366900110	FUEL HOSE, L=90 .....	1	REPLACES P/N 959328406
20	0561080020	HOSE, CLAMP	2	
22	009110037	TAPPING SCREW 5X20	2	
23	094010053	PANHEAD SCREW 4X8	4	
40	366910030	ROLLER ASSY., W/SCREW.....	1	INCLUDES ITEMS W/#
41#	366217170	ROLLER	2	
42#	0017105020	SCREW 5X20.....	4	REPLACES P/N 091005020
43#	022610505	FLANGE NUT M5 H	4	
44\$@	366464260	CUP, HOLDER FILTER	1	
45\$@	366464270	PACKING, HOLDER FILTER	1	
46\$	366900170	CUP AND PACKING SET .....	1	INCLUDES ITEMS W/@
51	955010311	TP22 TACHO/HOUR METER .....	1	REPLACES P/N 980010330
53	955010305	CURL CORD.....	1	REPLACES P/N 980010400
54	366345620	FINISHER, METER	1	
55	454010020	CLAMP	5	
56	954010270	CLIP	1	

# FUEL TANK AND HANDLE ASSY. (CONT'D.)

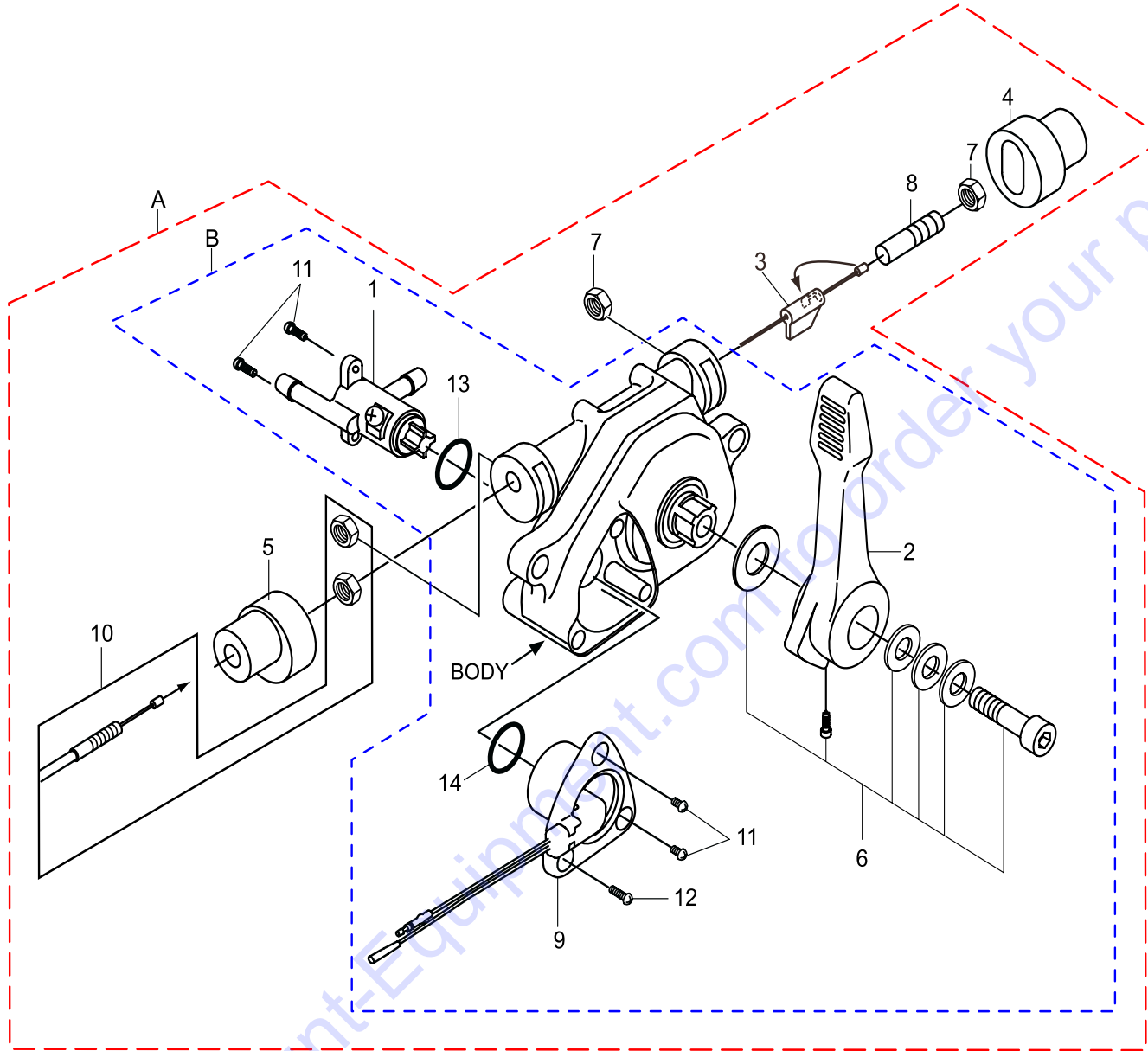


## FUEL TANK AND HANDLE ASSY. (CONT'D.)

<u>NO.</u>	<u>PART NO.</u>	<u>PART NAME</u>	<u>QTY.</u>	<u>REMARKS</u>
101	959028621	FUEL HOSE 9.5X50/EVP	1	
102	H950024085008	HOSE BAND.....	1	REPLACES P/N 954407060
104	959028622	FUEL HOSE 9.5X270/EVP	1	
108	954002941	JOINT, HOSE	1	
109	952408480	WASHER 9X28X9	3	
110	H950024085008	HOSE BAND.....	3	REPLACES P/N 954407060
112	954408170	HOSE CLIP	2	
115	959028321	FUEL HOSE 6X180/EVP	1	
116	959021825	SPIRAL TUBE, L=60	2	
117	959021821	SPIRAL TUBE, L=120	1	

Go to Discount-Equipment.com to order your parts

# COMBINATION LEVER ASSY.

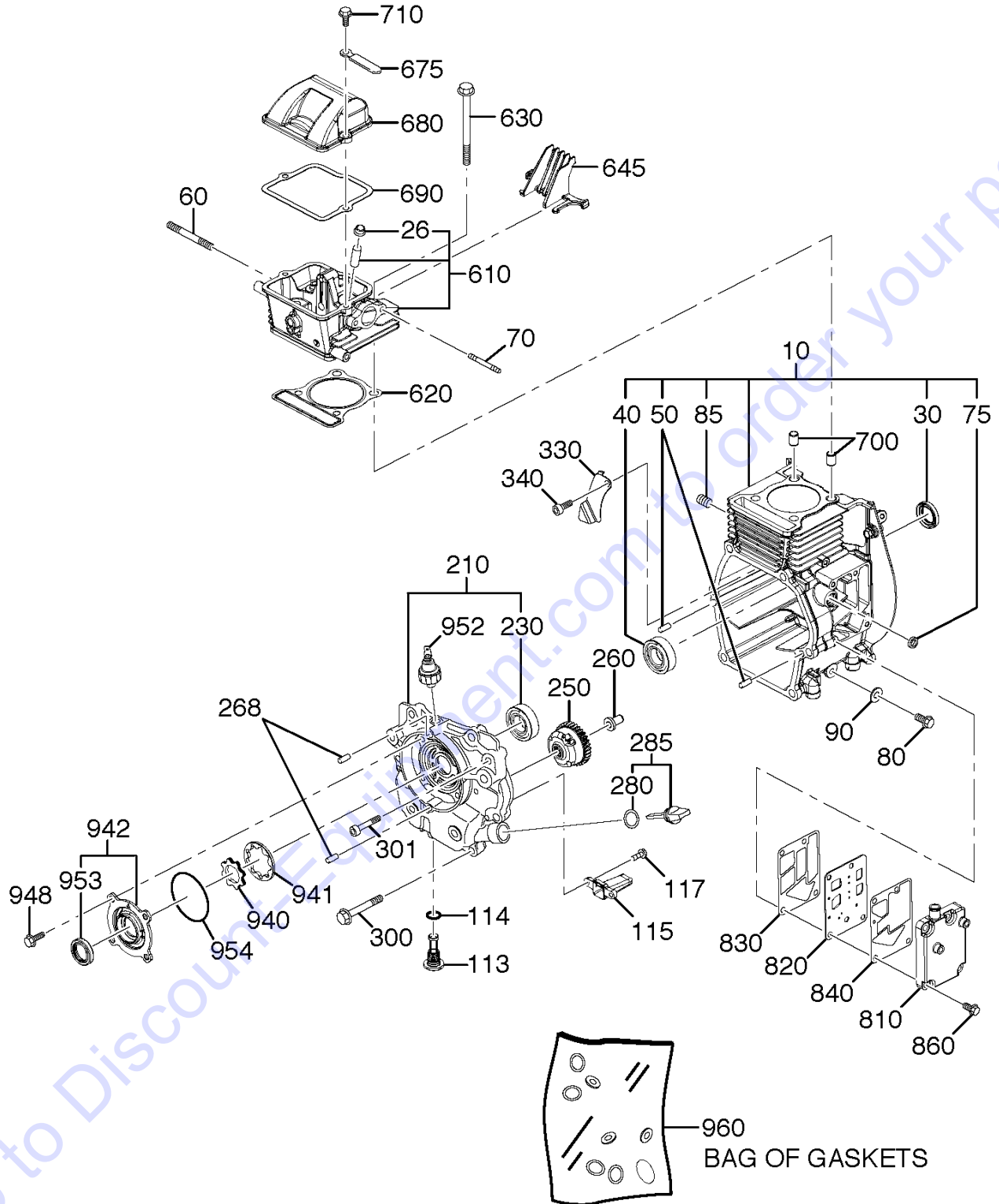


## COMBINATION LEVER ASSY.

<u>NO.</u>	<u>PART NO.</u>	<u>PART NAME</u>	<u>QTY.</u>	<u>REMARKS</u>
A	366900032	COMB. LEVER W/ THROTTLE WIRE.....	1.....	INCLUDES ITEMS W/@
B	956200110	COMB. LEVER W/OUT THROTTLE WIRE.....	1.....	INCLUDES ITEMS W/ #
1@#	366349430	FUEL COCK	1	
2@#	366010310	LEVER	1	
3@	366010190	SLIDER	1	
4@	366010200	END CAP	1	
5@	366010210	WIRE CAP	1	
6@#	366010220	BOLT AND WASHER SET	1	
7@	020408050	NUT M8, H=5	2	
8@	959407650	SOCKET HEAD SCREW/TH.WIRE	1	
9@#	366010320	STOP SWITCH	1	
10@	956100062	THROTTLE WIRE	1	
11@#	094010051	TAPPING SCREW B1 4X12	4	
12@#	094010052	TAPPING SCREW B1 4X30	1	
13@#	050200150	O-RING, P15	1	
14@#	050200110	O-RING, P11	1	

Go to Discount-Equipment.com to order your parts

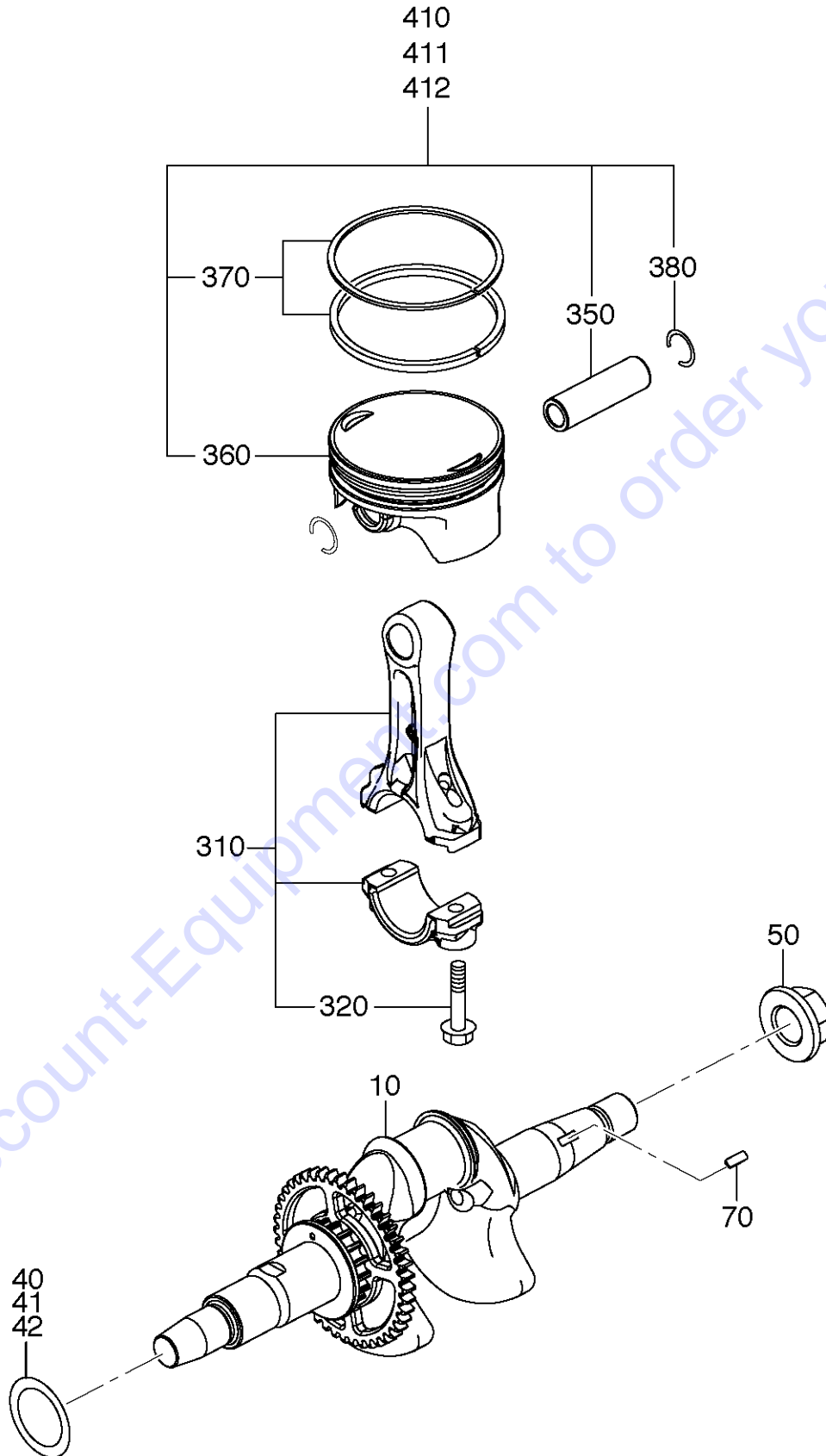
# ROBIN ER120D45010 ENGINE — CRANKCASE ASSY.



## ROBIN ER120D45010 ENGINE — CRANKCASE ASSY.

<u>NO.</u>	<u>PART NO.</u>	<u>PART NAME</u>	<u>QTY.</u>	<u>REMARKS</u>
10	21E10101M1	CRANKCASE CP.....	1	INCLUDES ITEMS W/#
26@	2771601001	STEM SEAL	1	
30#	0440200070	OIL SEAL	1	
40#	X600200200	BALL BEARING	1	
50#	0310060020	DOWEL PIN	2	
60	X105080550	STUD	2	
70	0105060280	STUD	2	
75#	X440080010	OIL SEAL	1	
80	0110080150	FLANGE BOLT	1	
85#	X403140010	PLUG	1	
90	X211080050	GASKET (ALUMINUM)	1	
113	21E65001H2	PLUG	1	
114	0240110020	O-RING	1	
115	21E64201J3	SUCTION PIPE	1	
117	X110050030	FLANGE BOLT	2	
210	21E11101J1	MAIN BEARING COVER CP.....	1	INCLUDES ITEMS W/\$
230\$	X600220030	BALL BEARING	1	
250	21E45001J1	GOVERNOR GEAR CP	1	
260	21E41901H3	GOVERNOR SLEEVE	1	
268	0310060020	DOWEL PIN	1	
280	0213160020	GASKET	1	
285	21E63601H1	OIL GAUGE CP	1	
300	0110080160	FLANGE BOLT	6	
301	X119060110	BOLT (SOCKET HEAD)	1	
330	21E17001J3	OIL SHELTER PLATE	1	
340	X119050060	BOLT AND WASHER ASSY.	1	
610	21E13002K0	CYLINDER HEAD ASSY.....	1	INCLUDES ITEMS W/@
620	21E1500123	GASKET (HEAD)	1	
630	X110080460	FLANGE BOLT	4	
645	21E18001H3	GUIDE (S.PLUG)	1	
675	2267510103	CLAMP	1	
680	21E15501H3	ROCKER COVER	1	
690	21E1600111	GASKET CP (R. COVER)	1	
700	2771501103	PIPE KNOCK	2	
710	X110060610	FLANGE BOLT	2	
810	21E14301H3	BREATHER COVER	1	
820	21E14401J1	BREATHER PLATE CP	1	
830	21E16002J3	GASKET (B. PLATE)	1	
840	21E16003H3	GASKET (B. COVER)	1	
860	21E76301H1	FLANGE BOLT	4	
940	0110060230	INNER ROTOR	1	
941	21E63901H3	OUTER ROTOR	1	
942	21E63902H3	OIL PUMP COVER CP.....	1	INCLUDES ITEMS W/%
948	21E64001L1	FLANGE BOLT	4	
952	0110060440	SWITCH OIL PRESSURE	1	
953	0440200070	OIL SEAL	1	
954	0240590020	O-RING	1	
960	21E9900127	GASKET SET	1	

# ROBIN ER120D45010 ENG. — CRANKSHAFT, PISTON ASSY.

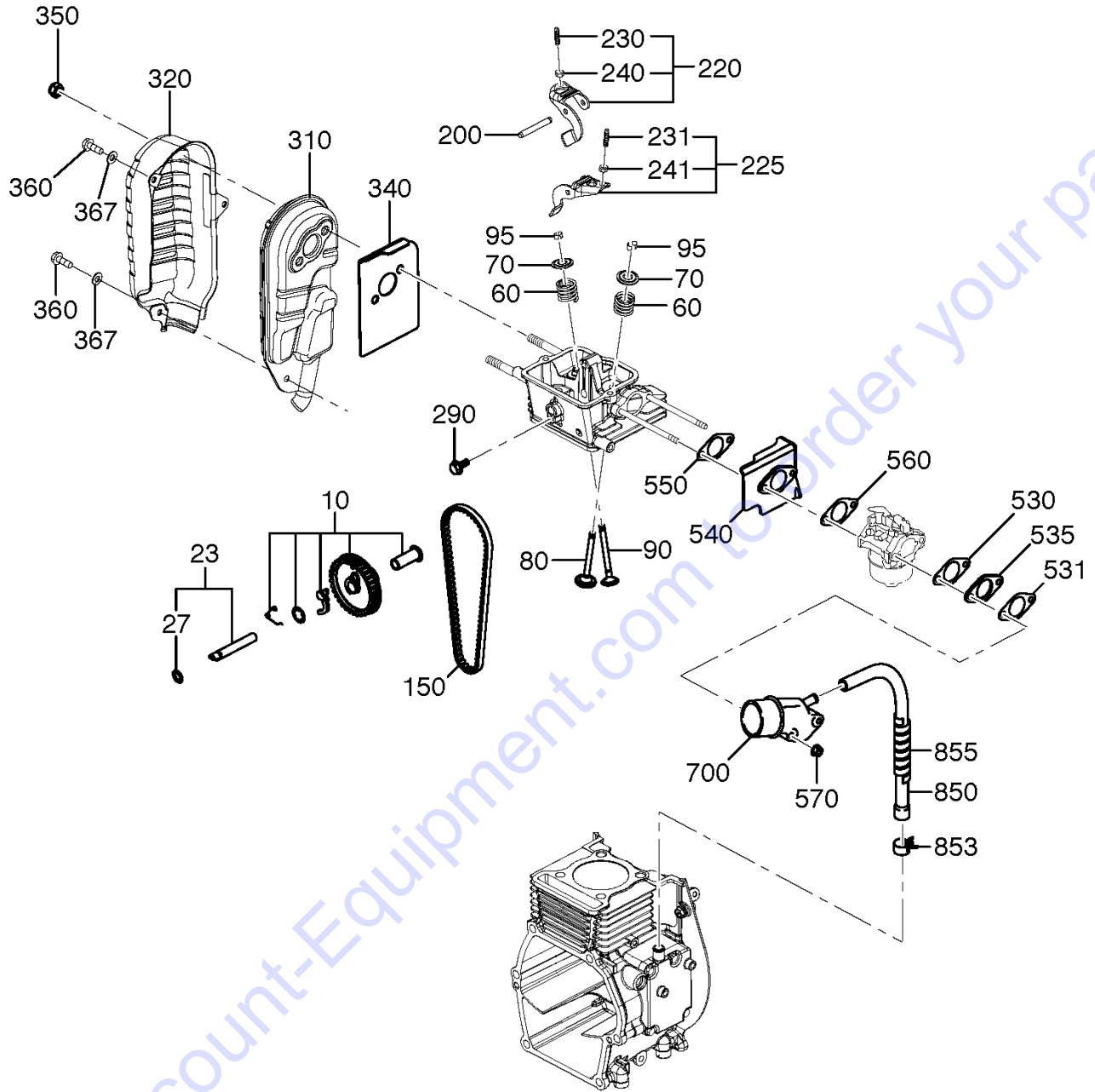




## ROBIN ER120D45010 ENG. — CRANKSHAFT, PISTON ASSY.

<u>NO.</u>	<u>PART NO.</u>	<u>PART NAME</u>	<u>QTY.</u>	<u>REMARKS</u>
10	21E20202M1	CRANKSHAFT CP	1	
40	X230220100	SPACER	1	
41	X230220110	SPACER	1	
42	X230220120	SPACER	1	
50	0180140020	FLANGE NUT	1	
70	0053203101	WOODRUFF KEY	1	
310	21E22501K0	CONNECTING ROD ASSY.....	1	INCLUDES ITEMS W/#
320#	20F2300103	CONNECTING ROD BOLT	2	
350%\$@	21E23301H3	PISTON PIN	1	
360%	21E23401H3	PISTON STD	1	
360\$	21E23402H3	PISTON O.S. 0.25	1	
360@	21E23403H3	PISTON O.S. 0.50	1	
370%	21E23501H7	PISTON RING SET, STD	1	
370\$	21E23502H7	PISTON RING SET, 0.25 O.S.	1	
370@	21E23503H7	PISTON RING SET, 0.50 O.S.	1	
380%\$@	21E2500103	CLIP	2	
410	21E27001H7	PISTON KIT STD.....	1	INCLUDES ITEMS W/%
411	21E27002H7	PISTON KIT O.S. 0.25.....	1	INCLUDES ITEMS W/\$
412	21E27003H7	PISTON KIT O.S. 0.50.....	1	INCLUDES ITEMS W/@

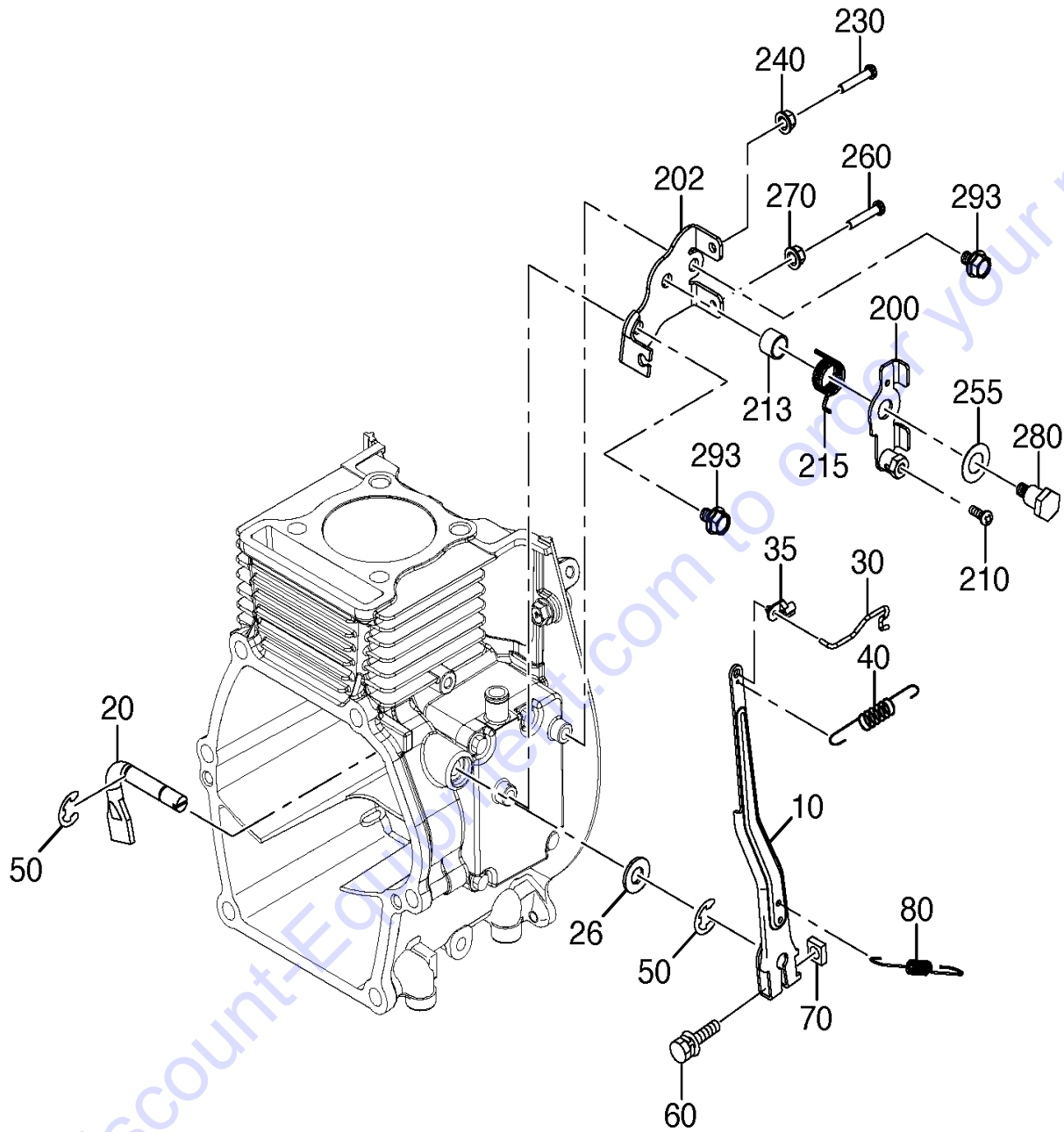
# ROBIN ER120D45010 ENGINE — INTAKE, EXHAUST ASSY.



# ROBIN ER120D45010 ENGINE — INTAKE, EXHAUST ASSY.

<u>NO.</u>	<u>PART NO.</u>	<u>PART NAME</u>	<u>QTY.</u>	<u>REMARKS</u>
10	21E31601S1	CAM PULLEY CP	1	
23	21E35101J1	PIN (CAM PULLEY) CP.....	1	INCLUDES ITEMS W/#
27#	0240060030	O-RING	1	
60	2793360103	VALVE SPRING	2	
70	2693370103	SPRING RETAINER	2	
80	27633401H3	INTAKE VALVE	1	
90	27633501H3	EXHAUST VALVE	1	
95	13210KA031	COLLET VALVE	4	
150	21E3560103	TIMING BELT	1	
200	2773500403	PIN (ROCKER)	1	
220	21E36101J0	ROCKER ARM INTAKE ASSY.....	1	INCLUDES ITEMS W/\$
225	21E36102J0	ROCKER ARM EXHAUST ASSY.....	1	INCLUDES ITEMS W/@
230\$	0149050020	ADJUST SCREW	1	
231@	0149050020	ADJUST SCREW	1	
240\$	0170050030	NUT	1	
241@	0170050030	NUT	1	
290	957010600800	BOLT, FLANGE.....	1	REPLACES P/N 0110060010
310	21E30101K2	MUFFLER UN	1	
320	21E34201M2	MUFFLER COVER	1	
340	X130060330	GASKET MUFFLER	1	
350	0200060120	SELF LOCK NUT	2	
360	21E35201H3	BOLT AND WASHER ASSY.	2	
367	0176080020	WASHER	2	
530	21E3500403	GASKET, INTAKE (CARB.)	1	
531	21E3500403	GASKET, INTAKE (CARB.)	1	
535	21E37001H3	PLATE, INTAKE	1	
540	21E32903K3	INSULATOR	1	
550	2843590303	GASKET (INSULATOR)	1	
560	21E3500303	GASKET (CARB)	1	
570	0176060030	SELF LOCK NUT	2	
700	21E33002H3	INTAKE PIPE (F)	1	
850	21E16103J3	RUBBER PIPE	1	
853	0561130010	HOSE CLAMP	1	
855	21E19001H3	SPIRAL TUBE	1	

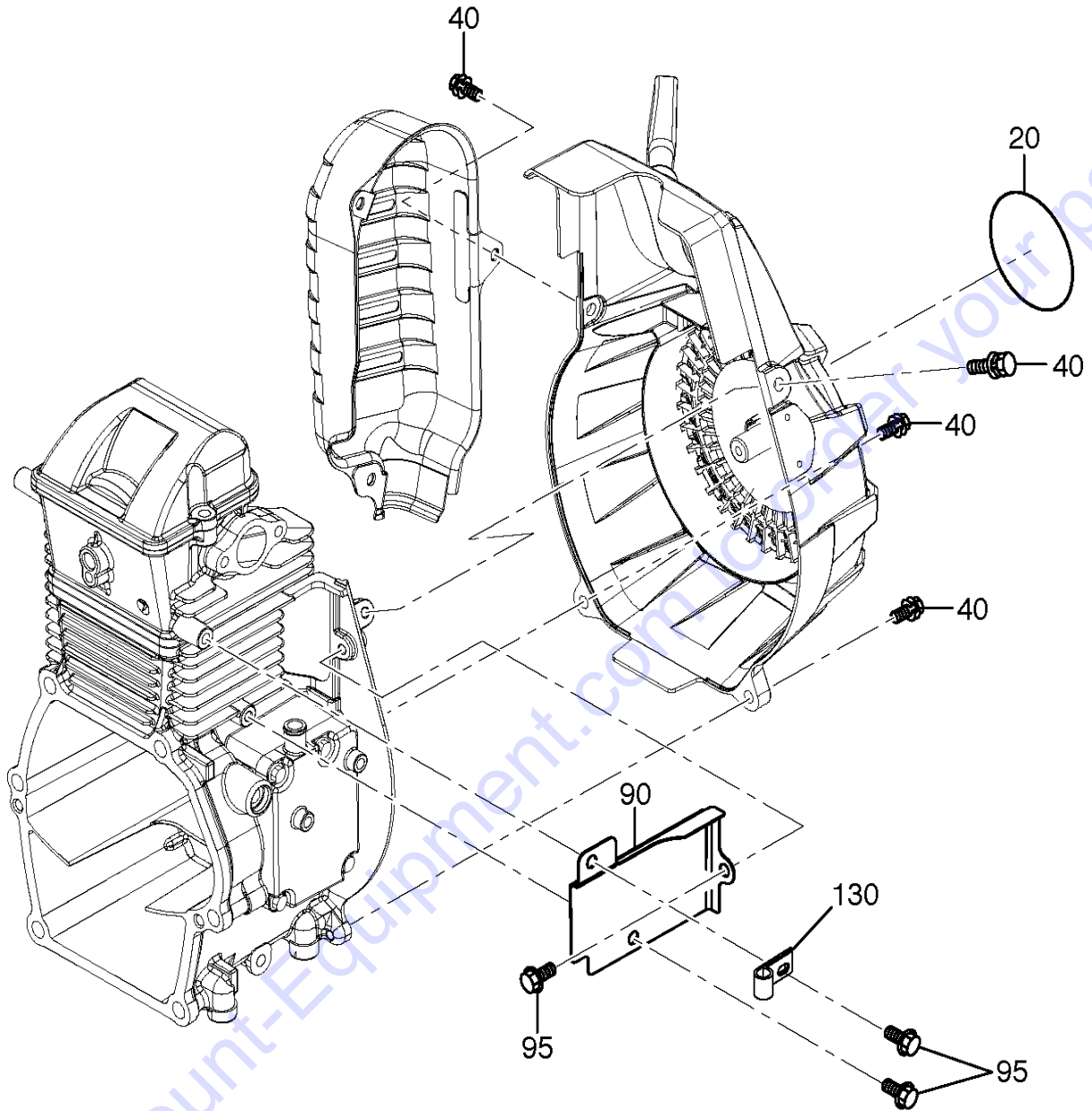
# ROBIN ER120D45010 ENGINE — GOVERNOR, OPERATION ASSY.



## ROBIN ER120D45010 ENGINE — GOVERNOR, OPERATION ASSY.

NO.	PART NO.	PART NAME	QTY.	REMARKS
10	21E42301H3	GOVERNOR LEVER	1	
20	21E42201J3	GOVERNOR SHAFT	1	
26	0031008000	WASHER .....	1	REPLACES P/N 0031108000
30	21E42701J1	GOVERNOR ROD CP	1	
35	2844560103	LINKAGE BUSHING	1	
40	21E4280113	ROD SPRING	1	
50	0031306000	CLIP	2	
60	0011406300	BOLT AND WASHER ASSY.	1	
70	0186060020	NUT	1	
80	21E4250113	GOVERNOR SPRING	1	
200	21E43301J0	SPEED CONT. LEVER ASSY.	1	
202	21E46002J1	BASE PLATE CP	1	
210	0043504080	SCREW, PANHEAD .....	1	REPLACES P/N 0043104080
213	0230100040	SPACER	1	
215	2264500313	RETURN SPRING	1	
230	X115050030	SCREW	1	
240	0021705000	NUT	1	
255	0217100020	FRICTION WASHER	1	
260	X115050030	SCREW	1	
270	0021705000	NUT	1	
280	2264310301	LINK PIVOT CP	1	
293	957010600800	FLANGE BOLT .....	2	REPLACES P/N 0110060010

# ROBIN ER120D45010 ENGINE — COOLING ASSY.

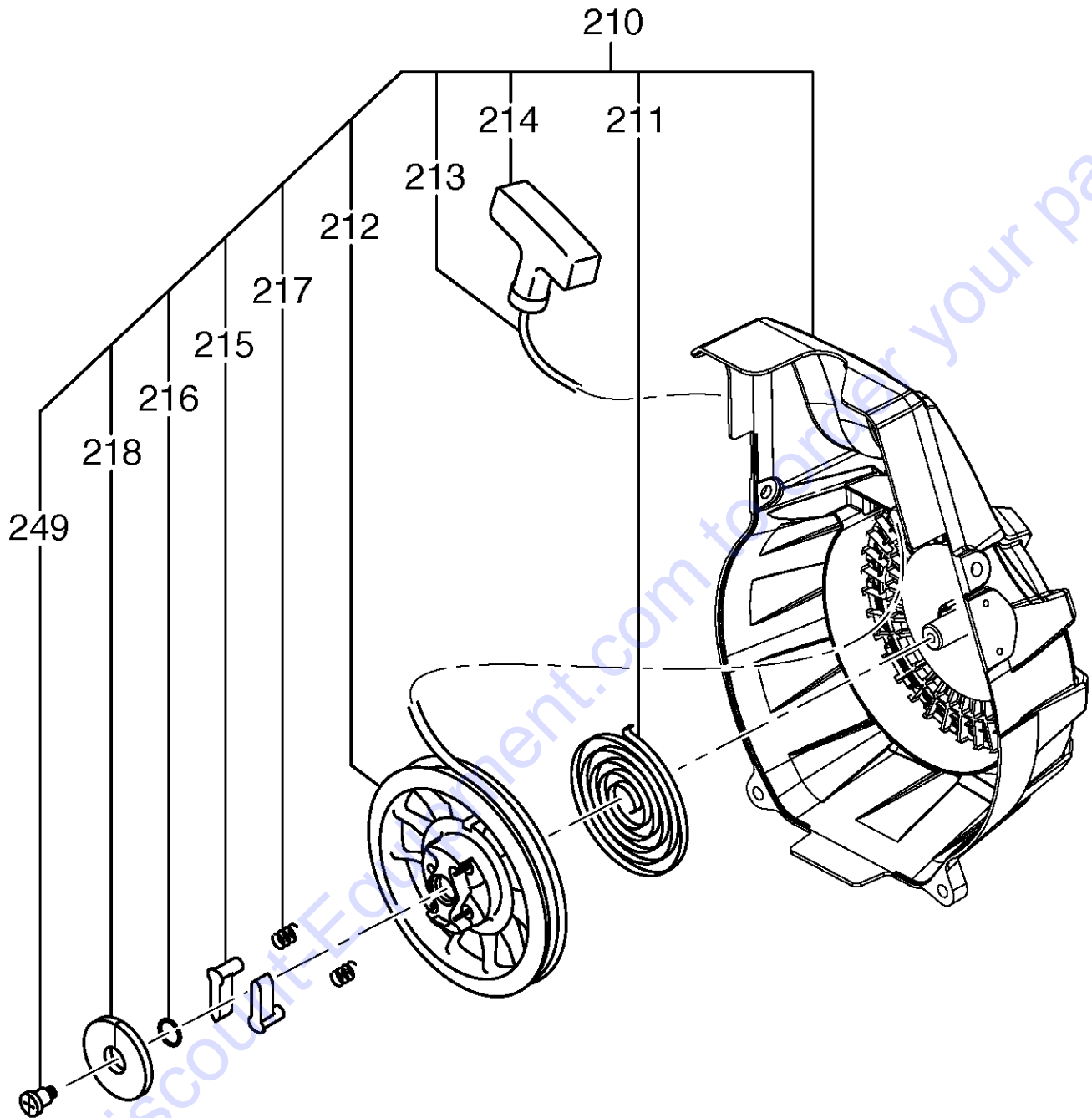


## ROBIN ER120D45010 ENGINE — COOLING ASSY.

<u>NO.</u>	<u>PART NO.</u>	<u>PART NAME</u>	<u>QTY.</u>	<u>REMARKS</u>
20	920100240	DECAL, M-MARK	1	
40	X130060340	BOLT AND WASHER ASSY.	4	
90	21E52601H3	CYLINDER BAFFLE	1	
95	957010600800	FLANGE BOLT.....	3.....	REPLACES P/N 0110060010
130	2067550101	CLAMP CP	1	

Go to Discount-Equipment.com to order your parts

# ROBIN ER120D45010 ENGINE — STARTING ASSY.



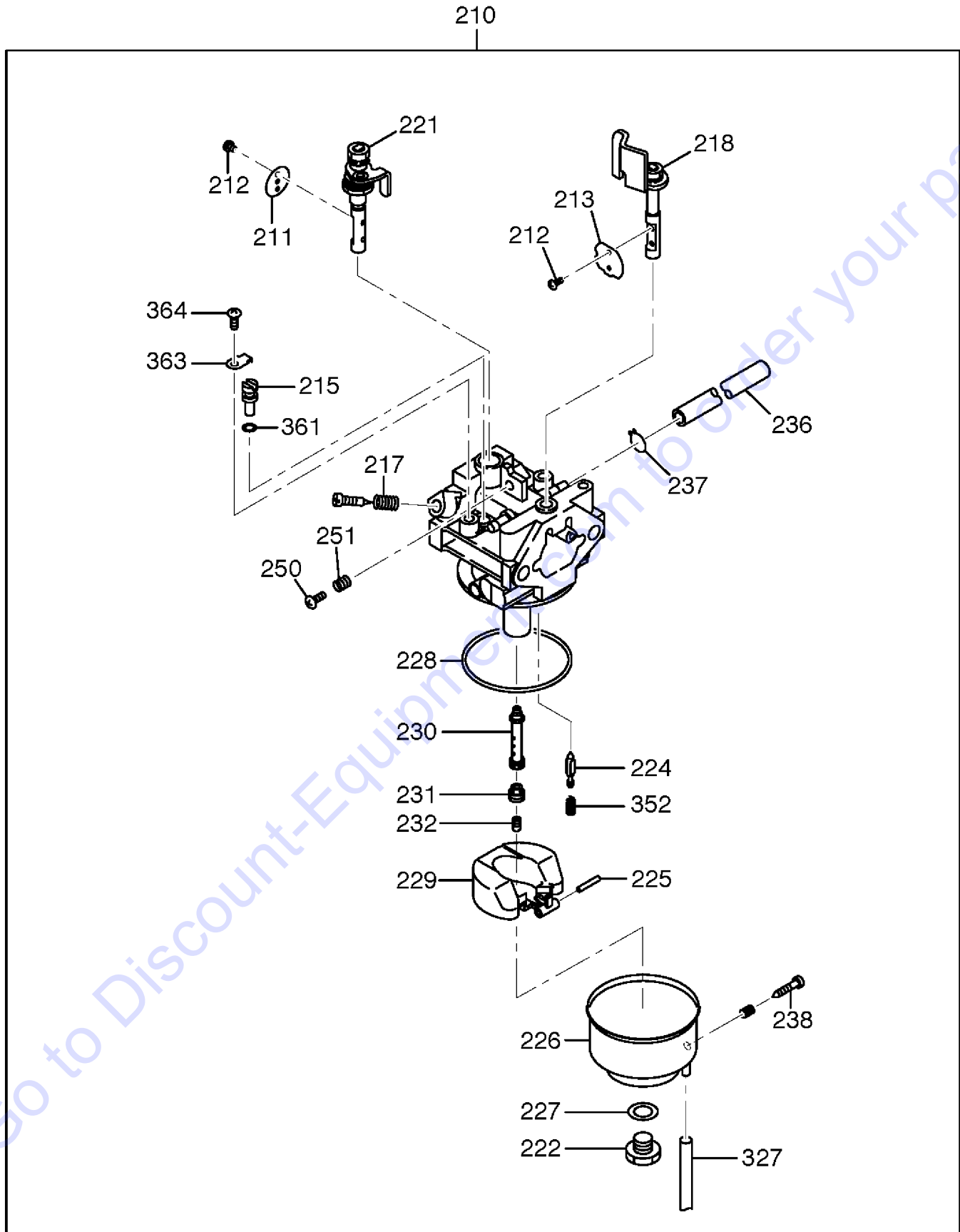


## ROBIN ER120D45010 ENGINE — STARTING ASSY.

<u>NO.</u>	<u>PART NO.</u>	<u>PART NAME</u>	<u>QTY.</u>	<u>REMARKS</u>
210	21E50201M0	RECOIL STARTER ASSY. ....	1.....	INCLUDES ITEMS W/#
211#	2745011508	SPIRAL SPRING	1	
212#	21ES022018	REEL	1	
213#	21E5011008	STARTER ROPE	1	
214#	20F5010018	STARTER KNOB	1	
215#	20F5022508	RATCHET	2	
216#	2745013108	FRICTION SPRING	1	
217#	2275013508	RETURN SPRING	2	
218#	21E5026008	RATCHET GUIDE	1	
249#	20B5010108	SET SCREW	1	

Go to Discount-Equipment.com to order your parts

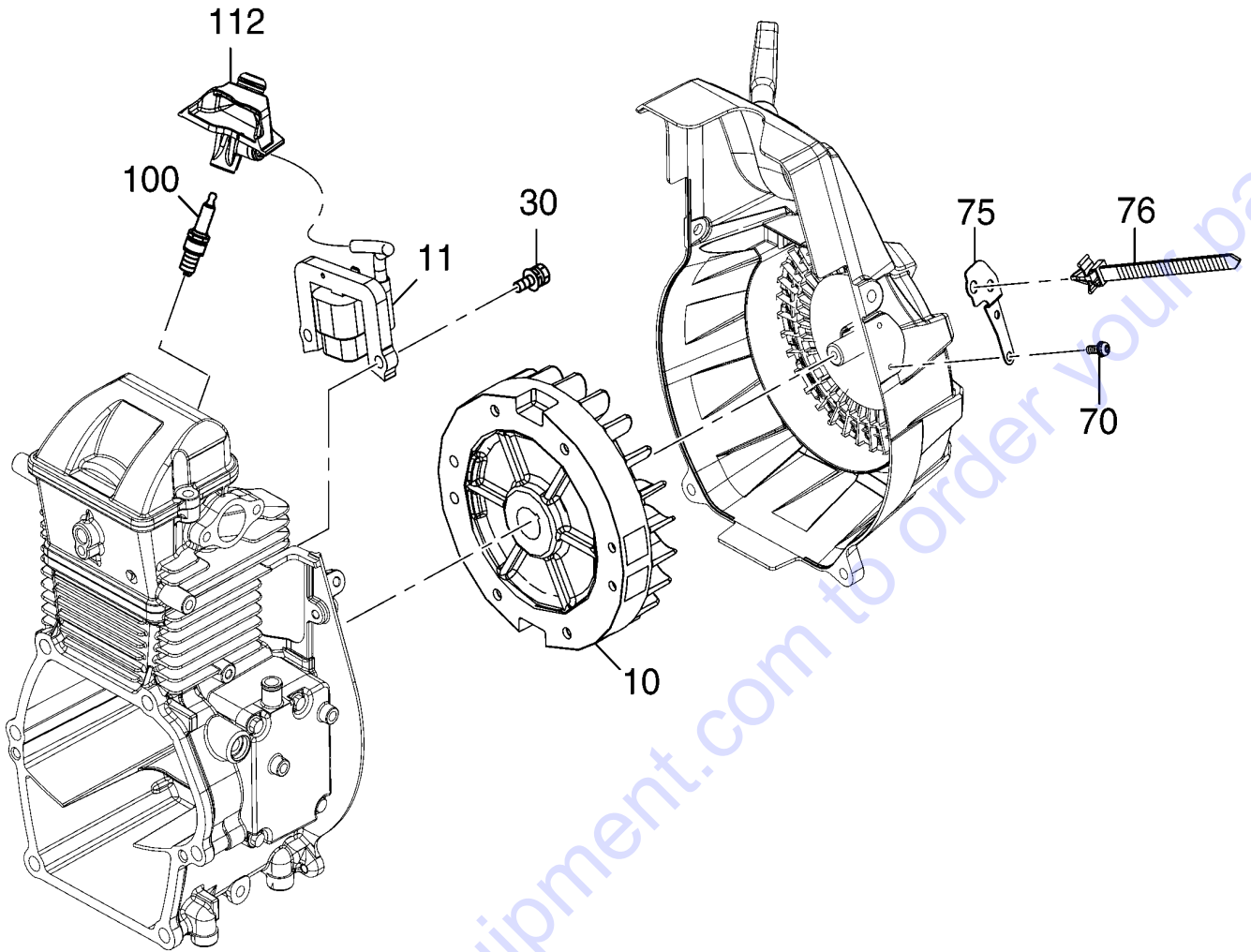
# ROBIN ER120D45010 ENGINE — CARBURETOR ASSY.



## ROBIN ER120D45010 ENGINE — CARBURETOR ASSY.

NO.	PART NO.	PART NAME	QTY.	REMARKS
210	21E62302H0	CARBURETOR ASSY.....	1.....	INCLUDES ITEMS W/#
211#	2526253508	THROTTLE VALVE	1	
212#	2376245108	SCREW	4	
213#	2366252808	CHOKE VALVE	1	
215#	21E6242008	PILOT JET	1	
217#	2096244508	SPRING	1	
218#	2936252008	CHOKE SHAFT	1	
221#	1616253008	SHAFT ASSY. (THROTTLE)	1	
222#	2376245008	BOLT	1	
224#	1616235208	NEEDLE	1	
225#	2146251508	PIN	1	
226#	2846250608	FLOAT BODY	1	
227#	2366245008	PACKING	1	
228#	2366254008	PACKING	1	
229#	2366250508	FLOAT	1	
230#	21E6244008	MAIN NOZZLE	1	
231#	2356242508	GUIDE HOLDER	1	
232#	2526240708	MAIN JET	1	
236#	2526235308	HOSE	1	
237#	2346245408	CLIP	1	
238#	2246245008	SCREW	1	
250#	2466243508	ADJUST SCREW	1	
251#	2306244608	SPRING	1	
327#	2846254108	HOSE	1	
352#	2366244508	SPRING	1	
361#	1066238408	O-RING	1	
363#	2936235008	PLATE	1	
364#	2796235108	SCREW	1	

# ROBIN ER120D45010 ENGINE — ELECTRIC DEVICE ASSY.



## **ROBIN ER120D45010 ENGINE — ELECTRIC DEVICE ASSY.**

<u>NO.</u>	<u>PART NO.</u>	<u>PART NAME</u>	<u>QTY.</u>	<u>REMARKS</u>
10	21E79230J1	FLY WHEEL CP	1	
11	21E79430J1	IGNITION COIL CP	1	
30	20F1406250	BOLT AND WASHER ASSY.	2	
70	X131040130	SCREW AND WASHER ASSY.	2	
75	21E76501H3	PLATE	1	
76	0563000100	WIRE BAND	1	
100	0650140860	SPARK PLUG	1	
112	21E75001J3	SPARK PLUG RUBBER CAP	1	

Go to Discount-Equipment.com to order your parts

# PARTS FINDER

**Search Website  
by Part Number**



**Search Manual  
Library For Parts  
Manual & Lookup Part  
Numbers – Purchase  
or Request Quote**

**Search Manuals**

Enter your information to help us find the right parts manual for your machine.

\* Brand:

\* Model:

\* Serial:

\* Part Number:

SEARCH

**Can't Find Part or  
Manual? Request Help  
by Manufacturer,  
Model & Description**

**Parts Order Form**

Please fill in the following information to help us find the right part for your machine.

Manufacturer:	<input type="text"/>
Model:	<input type="text"/>
Description:	<input type="text"/>
Part Number:	<input type="text"/>
Quantity:	<input type="text"/>
Notes:	<input type="text"/>

Submit

Discount-Equipment.com is your online resource for quality parts & equipment.

Florida: **561-964-4949** Outside Florida TOLL FREE: **877-690-3101**

**Need parts?**

Click on this link: <http://www.discount-equipment.com/category/5443-parts/> and choose one of the options to help get the right parts and equipment you are looking for. Please have the machine model and serial number available in order to help us get you the correct parts. If you don't find the part on the website or on one of the online manuals, please fill out the request form and one of our experienced staff members will get back to you with a quote for the right part that your machine needs.

We sell worldwide for the brands: Genie, Terex, JLG, MultiQuip, Mikasa, Essick, Whiteman, Mayco, Toro Stone, Diamond Products, Generac Magnum, Airman, Haulotte, Barreto, Power Blanket, Nifty Lift, Atlas Copco, Chicago Pneumatic, Allmand, Miller Curber, Skyjack, Lull, Skytrak, Tsurumi, Husquvarna Target, Stow, Wacker, Sakai, Mi-T-M, Sullair, Basic, Dynapac, MBW, Weber, Bartell, Bennar Newman, Haulotte, Ditch Runner, Menegotti, Morrison, Contec, Buddy, Crown, Edco, Wyco, Bomag, Laymor, EZ Trench, Bil-Jax, F.S. Curtis, Gehl Pavers, Heli, Honda, ICS/PowerGrit, IHI, Partner, Imer, Clipper, MMD, Koshin, Rice, CH&E, General Equipment, Amida, Coleman, NAC, Gradall, Square Shooter, Kent, Stanley, Tamco, Toku, Hatz, Kohler, Robin, Wisconsin, Northrock, Oztec, Toker TK, Rol-Air, APT, Wylie, Ingersoll Rand / Doosan, Innovatech, Con X, Ammann, Mecalac, Makinex, Smith Surface Prep, Small Line, Wanco, Yanmar