



HSP Series EMF System Ignition Coil Assembly #850-0161 & #850-0191 Service Bulletin

PERFORMANCE UNDER PRESSURE®

When installing the 850-0161 ignition coil (Ref. #1) or 850-0191 ignition coil (Ref. #2) to the EMF System you will need to make sure the coil is installed properly. If the mounting flange is rotated 180 degrees from what is shown in the picture below no voltage will be present. Thus causing a lack of spark.

Ref. #1

#850-0161 Ignition Coil

For HSP-2003 and HSP-2403 Models



When ignition coil (A) is mounted correctly you can read "this side out".
Coil to magnet gap = .010 inch.

⚠ WARNING

⚠ WARNING: This product can expose you to chemicals including Lead, which is known to the State of California to cause cancer and birth defects or other reproductive harm. For more information go to www.P65Warnings.ca.gov

PARTS FINDER

**Search Website
by Part Number**



**Search Manual
Library For Parts
Manual & Lookup Part
Numbers – Purchase
or Request Quote**

Search Manuals

Enter your information to help us find the right parts manual for your machine.

* Brand:

* Model:

* Serial:

* Part Number:

SEARCH

**Can't Find Part or
Manual? Request Help
by Manufacturer,
Model & Description**

Parts Order Form

Please fill in the following information to help us find the right part for your machine.

Manufacturer:	<input type="text"/>
Model:	<input type="text"/>
Description:	<input type="text"/>
Part Number:	<input type="text"/>
Quantity:	<input type="text"/>
Notes:	<input type="text"/>

Submit

Discount-Equipment.com is your online resource for quality parts & equipment.

Florida: **561-964-4949** Outside Florida TOLL FREE: **877-690-3101**

Need parts?

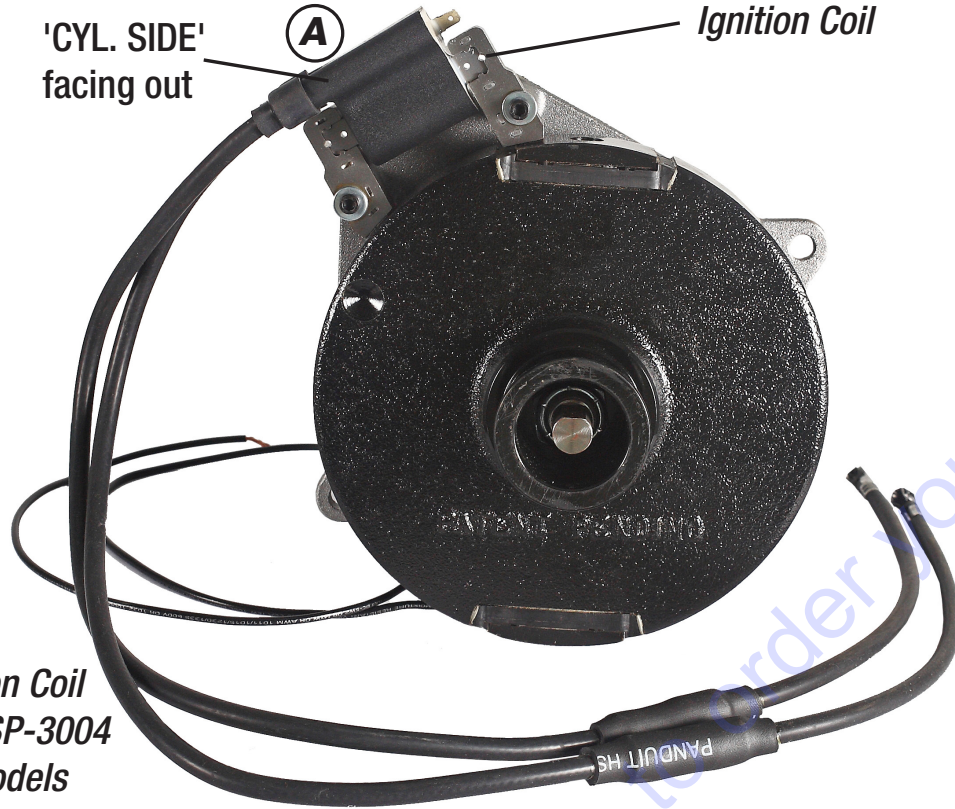
Click on this link: <http://www.discount-equipment.com/category/5443-parts/> and choose one of the options to help get the right parts and equipment you are looking for. Please have the machine model and serial number available in order to help us get you the correct parts. If you don't find the part on the website or on one of the online manuals, please fill out the request form and one of our experienced staff members will get back to you with a quote for the right part that your machine needs.

We sell worldwide for the brands: Genie, Terex, JLG, MultiQuip, Mikasa, Essick, Whiteman, Mayco, Toro Stone, Diamond Products, Generac Magnum, Airman, Haulotte, Barreto, Power Blanket, Nifty Lift, Atlas Copco, Chicago Pneumatic, Allmand, Miller Curber, Skyjack, Lull, Skytrak, Tsurumi, Husquvarna Target, Stow, Wacker, Sakai, Mi-T-M, Sullair, Basic, Dynapac, MBW, Weber, Bartell, Bennar Newman, Haulotte, Ditch Runner, Menegotti, Morrison, Contec, Buddy, Crown, Edco, Wyco, Bomag, Laymor, EZ Trench, Bil-Jax, F.S. Curtis, Gehl Pavers, Heli, Honda, ICS/PowerGrit, IHI, Partner, Imer, Clipper, MMD, Koshin, Rice, CH&E, General Equipment, Amida, Coleman, NAC, Gradall, Square Shooter, Kent, Stanley, Tamco, Toku, Hatz, Kohler, Robin, Wisconsin, Northrock, Oztec, Toker TK, Rol-Air, APT, Wylie, Ingersoll Rand / Doosan, Innovatech, Con X, Ammann, Mecalac, Makinex, Smith Surface Prep, Small Line, Wanco, Yanmar

'CYL. SIDE'
facing out

A

Ignition Coil



Ref. #3

**#850-0191 Ignition Coil
For HSP-3003, HSP-3004
and HSP-3504 Models**

When the ignition coil (A) is installed correctly, the wording "this side out" will actually be facing in, towards the machine. The front side of the coil, which will be facing out towards you, will read 'CYL. SIDE'.

Coil to magnet gap = .010 inch.

When installing the coil remove the complete EMF and see additional instructions for drilling 2 1/8" hole for coil wires to exit the blower housing.

Go to Discount-Equipment.com to order your parts

EMF BRACKET RETROFIT FOR NEW STYLE MAGNETRON

REASON

The magnetron found on your machine (Figure 1) has been discontinued by the manufacturer. A new style (Figure 2) will supersede the discontinued version. The physical differences in wire location may lead to excessive wear. This retrofit allows the wire to go through the EMF housing without interference.

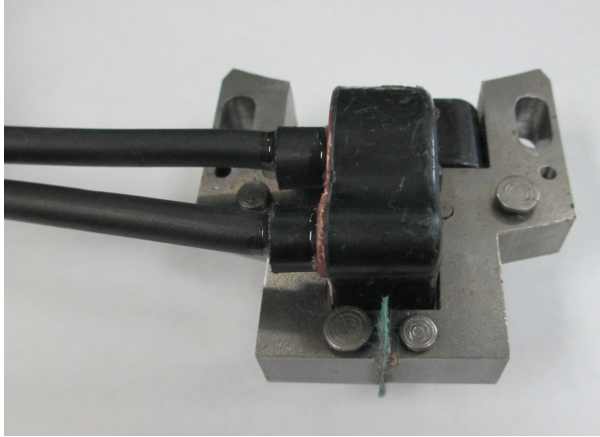


Figure 1 (Old Style Magnetron)



Figure 2 (New Style Magnetron)

Retrofitting Instructions

1. Remove the fuel pump and EMF assemblies in order to access the EMF housing (Item #5).
2. Place the drill hole pattern (Figure 5, back page) on the inside of the EMF housing, and drill the three holes indicated in Figure 3.
3. Insert the plastic bushings (Item # 1) into the large holes on the cover plate adapter.
4. Install the cover plate adapter (Item #2) on the outside of the EMF housing. Attach using two bolts (Item #6), two lock washers (Item #3), and two nuts (Item #4). Do not tighten. (Figure 4)
5. Feed the wires from the new magnetron through the plastic bushings and reinstall the hub.
6. The plate has slots to allow vertical movement. Position the plate so that the wires travel freely through the plastic bushings. Tighten the nuts and bolts, securing the plate in place.
7. Retrofit is complete, reassemble as necessary.

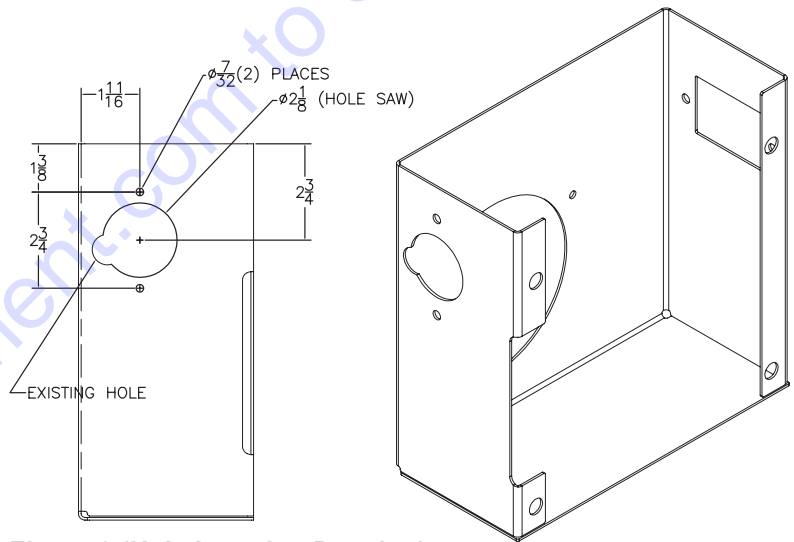


Figure 3 (Hole Location Drawing)

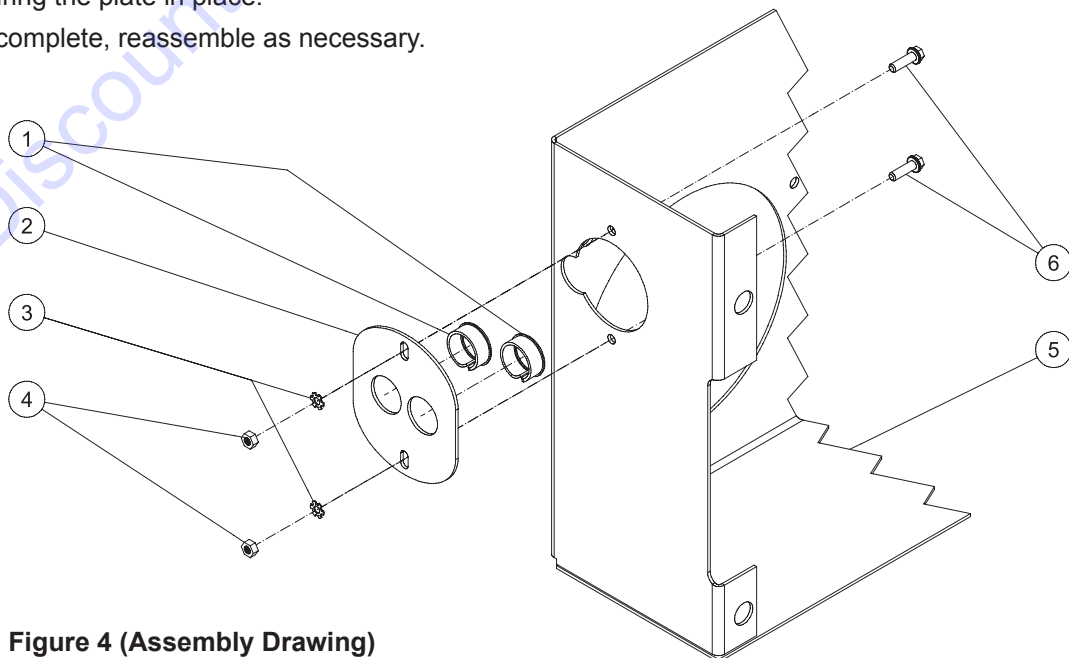


Figure 4 (Assembly Drawing)

EMF BRACKET RETROFIT FOR NEW STYLE MAGNETRON

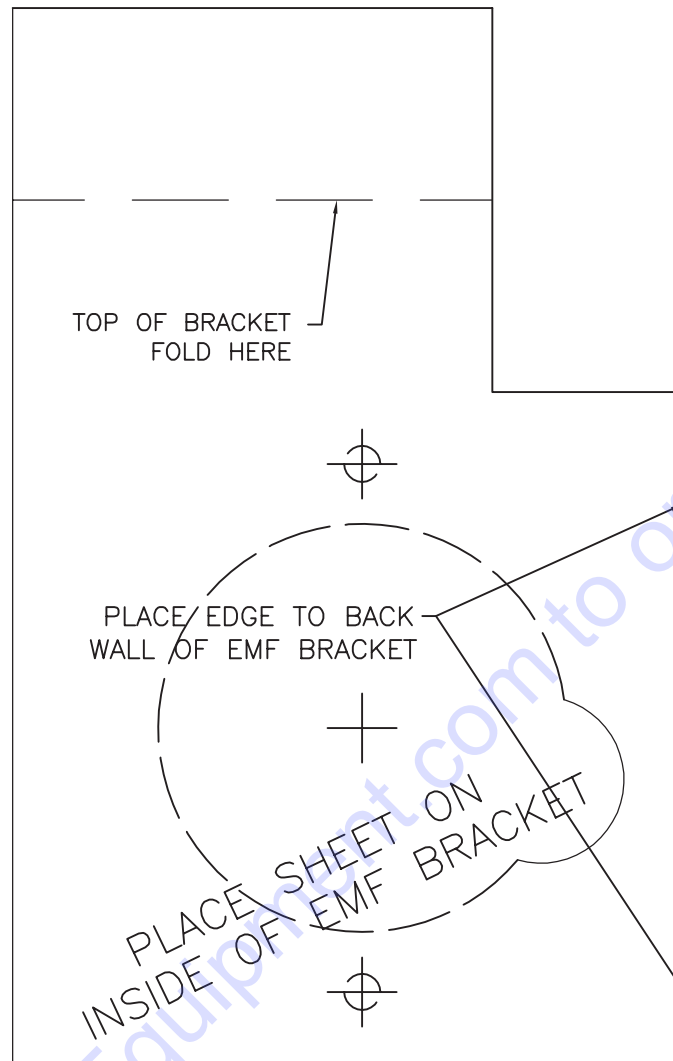


Figure 5 (Drill Hole Pattern)

PARTS FINDER

**Search Website
by Part Number**



**Search Manual
Library For Parts
Manual & Lookup Part
Numbers – Purchase
or Request Quote**

Search Manuals

Enter your information to help us find the right parts manual for your machine.

* Brand:

* Model:

* Serial:

* Part Number:

SEARCH

**Can't Find Part or
Manual? Request Help
by Manufacturer,
Model & Description**

Parts Order Form

Please fill in the following information to help us find the right part for your machine.

Manufacturer:	<input type="text"/>
Model:	<input type="text"/>
Description:	<input type="text"/>
Part Number:	<input type="text"/>
Quantity:	<input type="text"/>
Notes:	<input type="text"/>

Discount-Equipment.com is your online resource for quality parts & equipment.

Florida: **561-964-4949** Outside Florida TOLL FREE: **877-690-3101**

Need parts?

Click on this link: <http://www.discount-equipment.com/category/5443-parts/> and choose one of the options to help get the right parts and equipment you are looking for. Please have the machine model and serial number available in order to help us get you the correct parts. If you don't find the part on the website or on one of the online manuals, please fill out the request form and one of our experienced staff members will get back to you with a quote for the right part that your machine needs.

We sell worldwide for the brands: Genie, Terex, JLG, MultiQuip, Mikasa, Essick, Whiteman, Mayco, Toro Stone, Diamond Products, Generac Magnum, Airman, Haulotte, Barreto, Power Blanket, Nifty Lift, Atlas Copco, Chicago Pneumatic, Allmand, Miller Curber, Skyjack, Lull, Skytrak, Tsurumi, Husquvarna Target, Stow, Wacker, Sakai, Mi-T-M, Sullair, Basic, Dynapac, MBW, Weber, Bartell, Bennar Newman, Haulotte, Ditch Runner, Menegotti, Morrison, Contec, Buddy, Crown, Edco, Wyco, Bomag, Laymor, EZ Trench, Bil-Jax, F.S. Curtis, Gehl Pavers, Heli, Honda, ICS/PowerGrit, IHI, Partner, Imer, Clipper, MMD, Koshin, Rice, CH&E, General Equipment, Amida, Coleman, NAC, Gradall, Square Shooter, Kent, Stanley, Tamco, Toku, Hatz, Kohler, Robin, Wisconsin, Northrock, Oztec, Toker TK, Rol-Air, APT, Wylie, Ingersoll Rand / Doosan, Innovatech, Con X, Ammann, Mecalac, Makinex, Smith Surface Prep, Small Line, Wanco, Yanmar