



AR14H Vibratory Ride-On Roller

Water Pump Kit Installation Instructions

The following instructions are intended to assist the user in the installation of the Water Pump Kit for use on the AR14H Vibratory Ride-On Roller S/N 160815 and below. Please read all assembly instructions before installing the kit.

REQUIRED TOOLS

- Ratchet and Socket Set
- Wire Cutters
- 3/16" Allen Wrench or 3/16" Socket

PARTS

Verify that all parts are accounted for. See Figure 1 and Table 1.

Table 1. AR14H Water Pump Installation Kit				
Item No.	Part No.	Description	QTY.	Remarks
1	521719	Pump Kit, AR14H	1	Includes items 2-12
2	805774	Water Pump, Shurflo	1	
3	805812	Protective Rubber Cover	1	
4	805805	Barb Fitting 90°, 1/2"-3/8" NPT	2	
5	503119	3/8" Nyloc Nut	4	
6	521721	Pump Front Mounting Plate	1	
7	492254	1/4" x 3/4" Allen Head Screw	4	
8	492622	1/4" Lock Washer	4	
9	492595	1/4" Lock Washer	8	
10	521722	Pump Back Mounting Plate	1	I
11	512183	3/16" x 1-1/4" Hex Head Screw	4	
12	—	Instructions, AR14H Water Pump Installation	1	

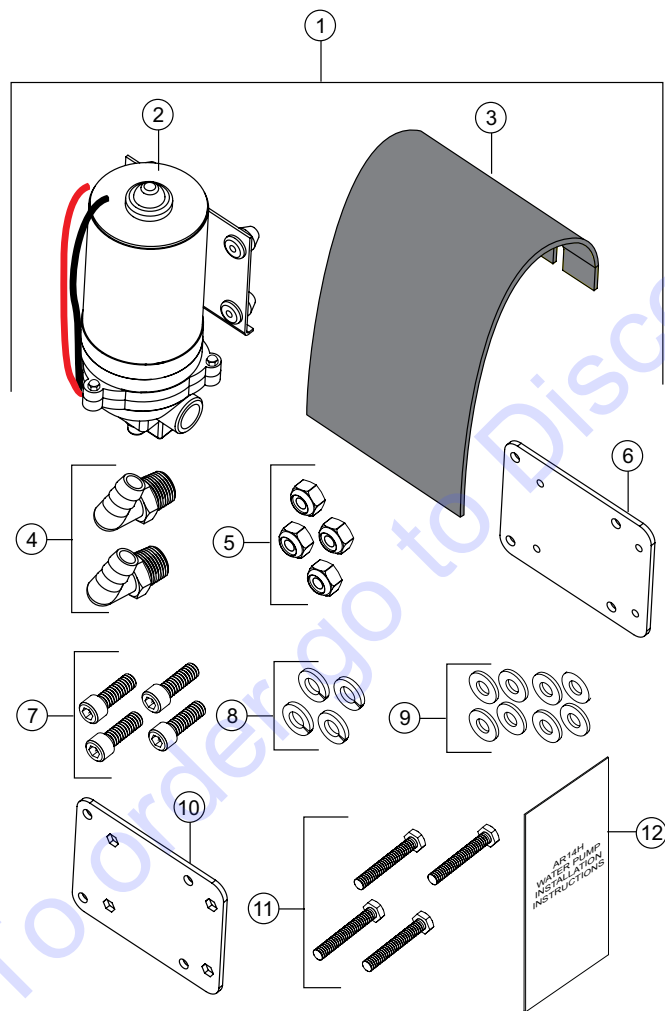


Figure 1. Water Pump Installation Kit

WORK SAFELY!

Only a **qualified service technician** with proper training should perform this installation. Follow all shop safety rules when performing this installation.

PREPARATION

1. Make sure roller is turned off and engine is cool.
2. Place the roller in an area free of dirt and debris. Make sure it is on secure level ground with chock blocks underneath each wheel to prevent the roller from rolling.

WATER PUMP REMOVAL

1. Release the latch (Figure 2) that secures the floor panel to the frame.

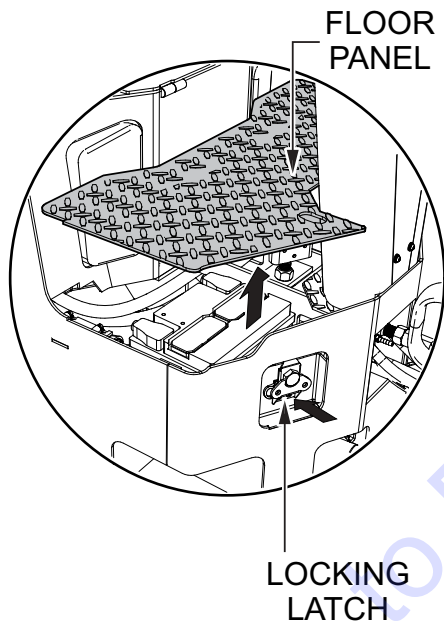


Figure 2. Floor Panel Removal

2. Next, remove the battery (Figure 3) from the roller and set aside in a safe place. Remove the **negative** battery cable first.

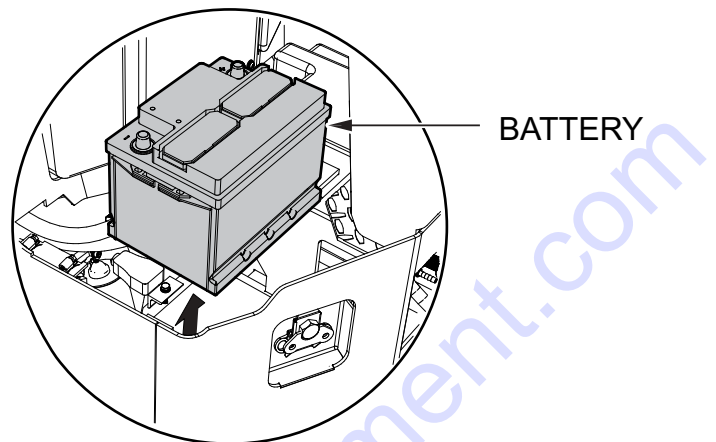


Figure 3. Battery Removal

3. Cut the **RED** and **BLACK** wires from the water pump as shown in Figure 4.

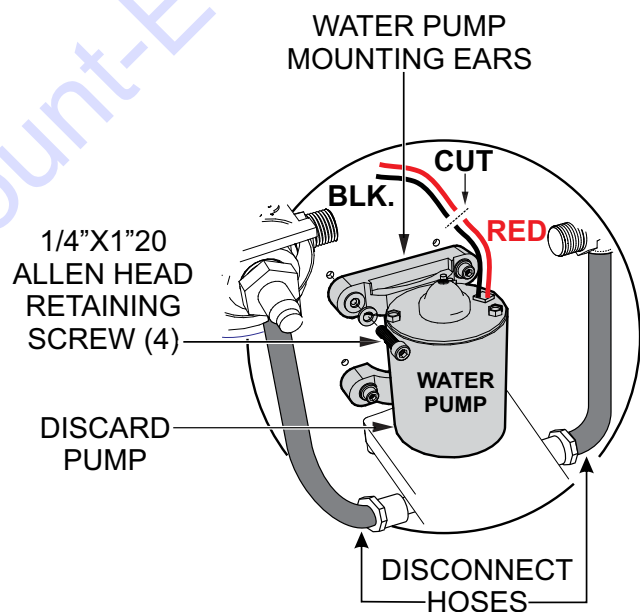


Figure 4. Pump Removal

4. Disconnect the water hoses (Figure 4) on the inlet and outlet ports on the pump body.
5. Using a 3/16" allen wrench remove the four 1/4" X 1" 20 allen head screws and associated hardware that secure the water pump to the frame.
6. Discard pump and **all** mounting hardware

PUMP BACK MOUNTING PLATE INSTALLATION

1. Insert four 3/16" X 1-1/4" screws into the pump back mounting plate P/N 521722 as shown in Figure 5.

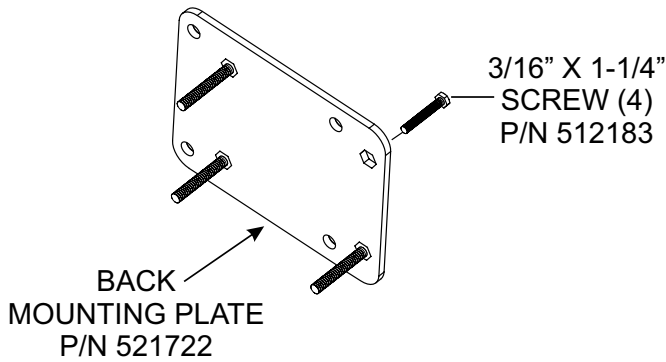


Figure 5. Pump Back Mounting Plate

PUMP FRONT MOUNTING PLATE INSTALLATION

1. Align pump front mounting plate P/N 521721 with the four 3/16" X 1-1/4" screws that are protruding from the back mounting plate as shown in Figure 6.

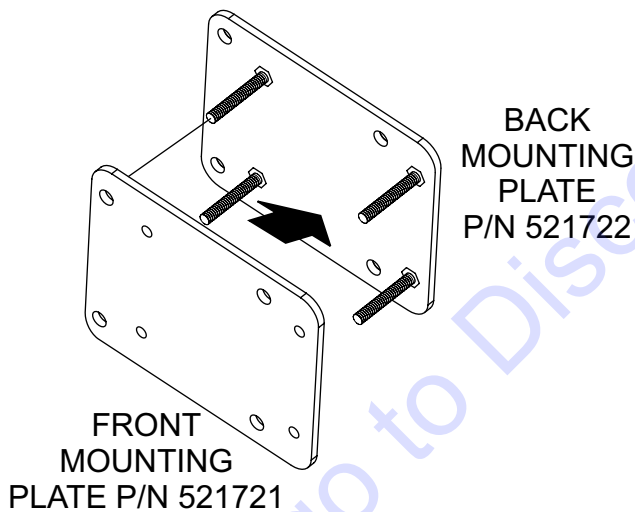


Figure 6. Pump Front Mounting Plate

BACK/FRONT MOUNTING PLATE INSTALLATION

2. Using four 1/4" X 3/4" allen head screws, secure both the front and back pump mounting plates to the roller frame as shown in Figure 7.

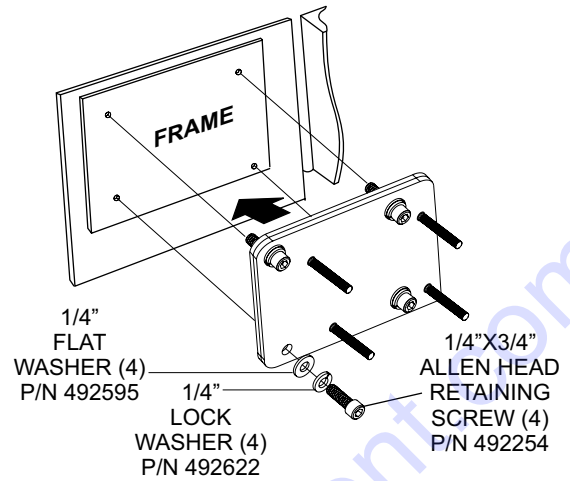


Figure 7. Pump Back/Front Mounting Plates

WATER PUMP/PROTECTIVE RUBBER FLAP INSTALLATION

1. Place the slotted sections on the protective rubber flap P/N 805812 over the top two 1/4" X 3/4" allen head screws on the pump mounting plate as shown in Figure 8.

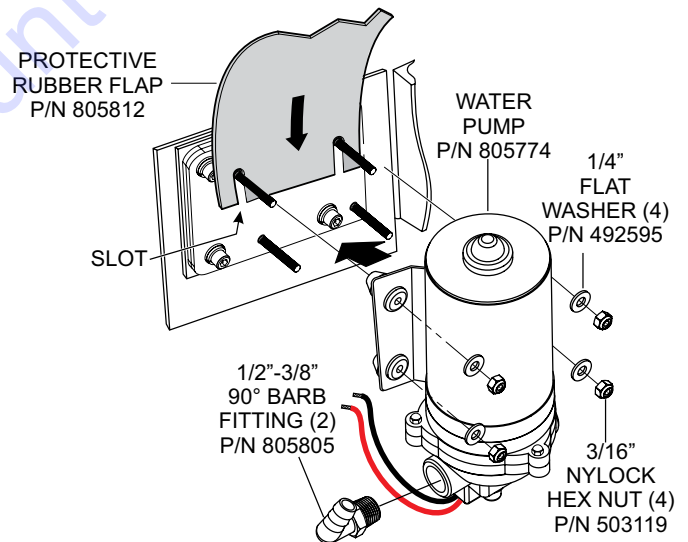


Figure 8. Installing Protective Rubber Flap

2. Insert two 1/2"-3/8", 90° barb fittings P/N 805805 into the inlet and outlet ports on the pump body.
3. Next, align pump mounting ears with the four 1/4" X 3/4" allen head screws on the pump mounting plate.
4. Secure pump to mounting plate using four 1/4 flat washers and 3/16" hex nuts P/N 503119.

WATER HOSE RECONNECTION

1. Reconnect the water hoses (Figure 9) to the barb fittings on the inlet and outlet ports on the pump body.

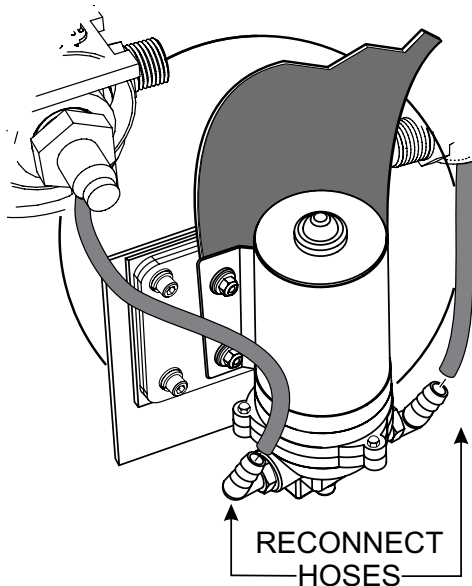


Figure 9. Water Hose Reconnection

PUMP WIRING

1. Using a butt splice (Figure 10), connect the **RED** and **BLACK** wires from the pump to the **RED** and **BLACK** wire that were cut earlier. Reference the "Water Pump Removal" section step 3.

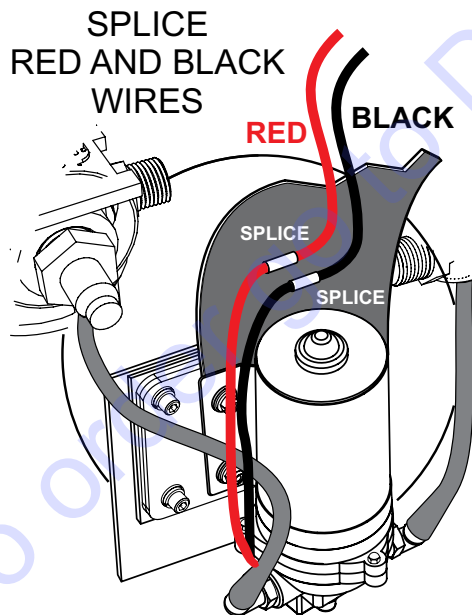


Figure 10. Pump Wiring

FOLDING WATER PUMP PROTECTIVE RUBBER FLAP

1. Fold the protective rubber flap over the pump to protect it from water (Figure 11).

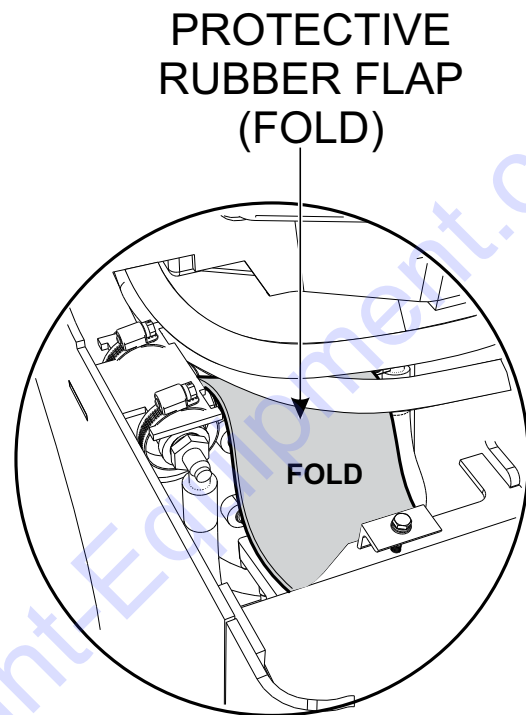


Figure 11. Folding Rubber Flap

2. Reinstall the battery. Connect the **positive** battery cable first.
3. Reinstall floor panel and secure with locking latch

TO PURCHASE THIS PRODUCT PLEASE CONTACT US



**Equipment Financing and
Extended Warranties Available**



**Discount-Equipment.com is your online resource for
commercial and industrial quality parts and equipment sales.**

561-964-4949

visit us on line @ www.discount-equipment.com

Select an option below to find your Equipment

Search by Manufacturer

Search by Product Type

Request a Quote

We sell worldwide for the brands: Genie, Terex, JLG, MultiQuip, Mikasa, Essick, Whiteman, Mayco, Toro Stone, Diamond Products, Generac Magnum, Airman, Haulotte, Barreto, Power Blanket, Nifty Lift, Atlas Copco, Chicago Pneumatic, Allmand, Miller Curber, Skyjack, Lull, Skytrak, Tsurumi, Husquvarna Target, Stow, Wacker, Sakai, Mi-T-M, Sullair, Basic, Dynapac, MBW, Weber, Bartell, Bennar Newman, Haulotte, Ditch Runner, Menegotti, Morrison, Contec, Buddy, Crown, Edco, Wyco, Bomag, Laymor, EZ Trench, Bil-Jax, F.S. Curtis, Gehl Pavers, Heli, Honda, ICS/PowerGrit, IHI, Partner, Imer, Clipper, MMD, Koshin, Rice, CH&E, General Equipment, Amida, Coleman, NAC, Gradall, Square Shooter, Kent, Stanley, Tamco, Toku, Hatz, Kohler, Robin, Wisconsin, Northrock, Oztec, Toker TK, Rol-Air, APT, Wylie, Ingersoll Rand / Doosan, Innovatech, Con X, Ammann, Mecalac, Makinex, Smith Surface Prep, Small Line, Wanco, Yanmar