



TUFFTRUK

MQ
MULTIQUIP **TuffTruk**

**Zero Emissions.
Endless Possibilities.**



TO PURCHASE THIS PRODUCT PLEASE CONTACT US



**Equipment Financing and
Extended Warranties Available**



**Discount-Equipment.com is your online resource for
commercial and industrial quality parts and equipment sales.**

561-964-4949

visit us on line @ www.discount-equipment.com

Select an option below to find your Equipment

Search by Manufacturer

Search by Product Type

Request a Quote

We sell worldwide for the brands: Genie, Terex, JLG, MultiQuip, Mikasa, Essick, Whiteman, Mayco, Toro Stone, Diamond Products, Generac Magnum, Airman, Haulotte, Barreto, Power Blanket, Nifty Lift, Atlas Copco, Chicago Pneumatic, Allmand, Miller Curber, Skyjack, Lull, Skytrak, Tsurumi, Husquvarna Target, Stow, Wacker, Sakai, Mi-T-M, Sullair, Basic, Dynapac, MBW, Weber, Bartell, Bennar Newman, Haulotte, Ditch Runner, Menegotti, Morrison, Contec, Buddy, Crown, Edco, Wyco, Bomag, Laymor, EZ Trench, Bil-Jax, F.S. Curtis, Gehl Pavers, Heli, Honda, ICS/PowerGrit, IHI, Partner, Imer, Clipper, MMD, Koshin, Rice, CH&E, General Equipment, Amida, Coleman, NAC, Gradall, Square Shooter, Kent, Stanley, Tamco, Toku, Hatz, Kohler, Robin, Wisconsin, Northrock, Oztec, Toker TK, Rol-Air, APT, Wylie, Ingersoll Rand / Doosan, Innovatech, Con X, Ammann, Mecalac, Makinex, Smith Surface Prep, Small Line, Wanco, Yanmar



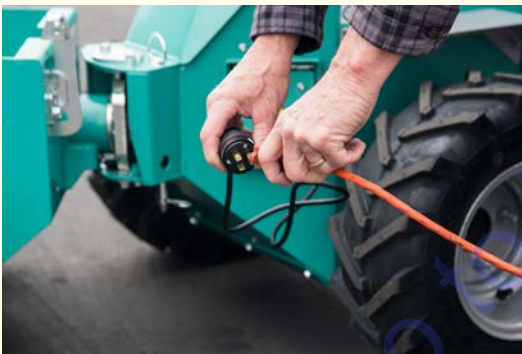
TuffTruk

EarthSmart™

The compact TuffTruk is ideal for interior demolition, environmental remediation, general construction, landscaping and utility work.



*Model TB12PE
Polyethylene Tub
with rechargeable
battery drive*



Integral battery charger uses standard 120 Volt power and features overcharge protection.



*Model TB11G Steel Tub with
Honda 5.5 HP gasoline engine.*

Zero emissions — easy charging!

- TuffTruk Model TB12PE features a rechargeable, zero emission, high torque battery drive and provides solid eight hour run time under full load.
- Long-lasting charge lasts two to three days working under typical conditions.
- Rechargeable battery model has regenerative braking system to help slow down when stopping; this generates power back to the battery to increase efficiency and range.
- Quiet operation produces very low noise — 76 dBA using rechargeable battery.

A compact workhorse

- True 4-wheel drive and wide flotation tires provide traction on muddy or rough terrain, with excellent climbing ability.
- Excellent maneuverability with 40° articulation angle and 56-inch turning radius.
- Rugged TB12E poly tub carries up to 12 ft³ of material or debris and passes through 36-inch wide openings. Optional 7 ft³ tub allows access through 32-inch openings.
- Adjustable handle for operator preference.

Adapts to your requirements with multiple, easy-to-install accessories.



TuffTruk Extension Kit — TTE — 33.4 or 29.0 inch width, ideal for increased capacity when carrying light loads (offered on TB11G steel tub only.)



TuffTruk Dump Handle — TTH — steel tub; **TTPH** — poly tub — for added convenience when discharging uphill.



TuffTruk Snow Plow — TSP — perfect for displacing snow during poor weather conditions (offered on TB11 only.)



TuffTruk Flatbed — TFB33 and TFB29 — 33.4 or 29.0 inch width, ideal for transporting heavy bags of material.



TuffTruk 2-Inch Towing Hitch — TBH — offers various height positions for different size trailers.



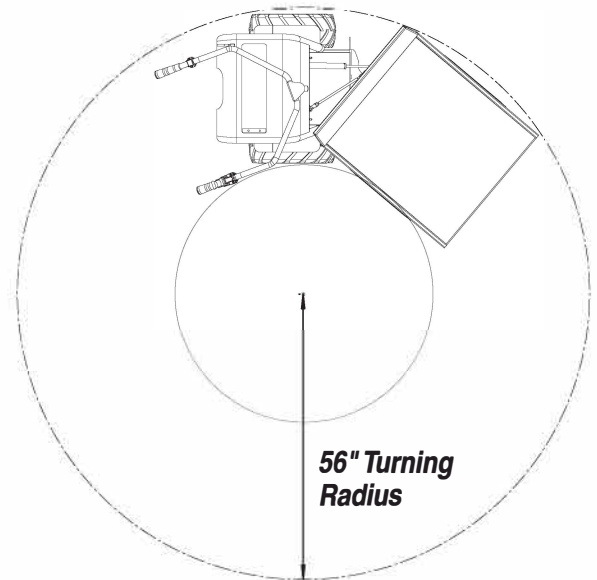
Optional 7 ft³ steel clip-on tub — TT7 — allows access through narrow 32-inch passageways.

Model	TB12SE	TB11G	TB12PE	TB11PG
Tub Material	Steel	Steel	Polyethylene	Polyethylene
Tire type	Pneumatic	Pneumatic	Pneumatic	Pneumatic
Wheel base in.	28.6	29.5	28.6	29.5
Width in.	33.4	34.5	33.4	34.5
Length in.	70.3	68.5	70.3	68.5
Height in.	41.9	38	41.9	38
Weight lb.	529	396	529	396
Maximum payload capacity lb.	1,100	990	1,100	990
Capacity ft³	12.0	10.6	12.0	10.6
Power Source	Two DC brushless motors 750W / 24 V	Honda GX200 5.5 HP Gas Engine	Two Brushless motors 750W / 24V	Honda GX200 5.5 HP Gas Engine
Battery type	2x12 volt AGM deep cell batteries	N/A	2x12 volt AGM deep cell batteries	N/A
Starting system	Electric	Manual recoil	Electric	Manual recoil
Drive and controls	4x4 - 24 volt motor	4x4 - Hydrostatic system	4x4 - 24 volt motor	4x4 - Hydrostatic system
Fuel capacity gal. (liter)	None	0.682 (3.1)	None	0.682 (3.1)
Travel speed forward - mph	0 to 3.5	0 to 4	0 to 3.5	0 to 4
Travel speed reverse - mph	0 to 1.5	0 to 1.5	0 to 1.5	0 to 1.5
Gradability	25%	25%	25%	25%
Oscillation	9°	6°	9°	6°
Articulation	40°	40°	40°	40°
Noise level dBa	76	96	76	96

Optional Clip-On Attachments

Model	Description	Weight lb.	Dimensions LxWxH in.
TBH	Towing Hitch — 2-inch diameter ball	19	28x16x8
TSP	Snow Plow — includes front tool bar attachment bracket (only for model TB11)	66	45x19x21
TBLADE	Snow Plow — replacement blade only	55	45x11x5
FTB	Snow Plow — front tool bar attachment only	15	50x16x11
TFB33	Flatbed — 33.4 inch width	65	33.5x30x6
TFB29	Flatbed — 29.0 inch width	52	30x28.5x6
TLP	Log Pole — 2 pieces	10	19x5x8
TTE	Tub Extension Kit — for light material (only for model TB11 steel hub)*	20	34x28x6
TTH	Tub Dump Handle — Steel Tub	4	19x5x5
TTHP	Tub Dump Handle — Polyethylene Tub	4	19x5x5
TT7	Steel Tub only, 7.0 ft³ — 660 lbs. capacity (only for models TB11 and TB12)	65	35x28x25
TT11	Steel Tub only, 10.6 ft³ — 960 lbs. capacity (only for model TB11)	80	35x33.5x23
ST12	Steel Tub only, 12.0 ft³ — 1,100 lbs. capacity (only for model TB12)	71	34.2x35x23
PT12	Polyethylene Tub assembly only, 12 ft³ — 1,100 lbs. capacity (only for model TB12)	51	33.5x35x24

* Increases capacity for lightweight material such as hay, mulch, and garden trimmings.



TO PURCHASE THIS PRODUCT PLEASE CONTACT US



**Equipment Financing and
Extended Warranties Available**



**Discount-Equipment.com is your online resource for
commercial and industrial quality parts and equipment sales.**

561-964-4949

visit us on line @ www.discount-equipment.com

Select an option below to find your Equipment

Search by Manufacturer

Search by Product Type

Request a Quote

We sell worldwide for the brands: Genie, Terex, JLG, MultiQuip, Mikasa, Essick, Whiteman, Mayco, Toro Stone, Diamond Products, Generac Magnum, Airman, Haulotte, Barreto, Power Blanket, Nifty Lift, Atlas Copco, Chicago Pneumatic, Allmand, Miller Curber, Skyjack, Lull, Skytrak, Tsurumi, Husquvarna Target, Stow, Wacker, Sakai, Mi-T-M, Sullair, Basic, Dynapac, MBW, Weber, Bartell, Bennar Newman, Haulotte, Ditch Runner, Menegotti, Morrison, Contec, Buddy, Crown, Edco, Wyco, Bomag, Laymor, EZ Trench, Bil-Jax, F.S. Curtis, Gehl Pavers, Heli, Honda, ICS/PowerGrit, IHI, Partner, Imer, Clipper, MMD, Koshin, Rice, CH&E, General Equipment, Amida, Coleman, NAC, Gradall, Square Shooter, Kent, Stanley, Tamco, Toku, Hatz, Kohler, Robin, Wisconsin, Northrock, Oztec, Toker TK, Rol-Air, APT, Wylie, Ingersoll Rand / Doosan, Innovatech, Con X, Ammann, Mecalac, Makinex, Smith Surface Prep, Small Line, Wanco, Yanmar