



**Service Bulletin**  
**AR14H Vibratory Ride-On Roller**  
**Water Pump Protective Rubber Flap**

<b>Product Group:</b> Roller	<b>Date Issued:</b> 08/09/16	<b>Service Bulletin No.</b> RR20160804
<b>Bulletin Type</b> <input type="checkbox"/> Mandatory <input type="checkbox"/> Information Only <input checked="" type="checkbox"/> Recommended Change		<b>Models/Series Affected:</b> AR14H S/N 160700 — AND BELOW

<p><b>Details</b></p> <p><b>Problems:</b></p> <ul style="list-style-type: none"> <li>a. Water is entering the compartment where the water pump is located. This condition can cause the electrical motor inside the pump and associated wiring to short out.</li> </ul> <p><b>Solutions:</b></p> <ul style="list-style-type: none"> <li>a. Install a protective rubber flap to protect the water pump from water.</li> </ul>
--

<b>Parts Information</b>				
Item No.	Part No.	Description	QTY.	Remarks
1	805812	Rubber Flap	1	

## WORK SAFELY!

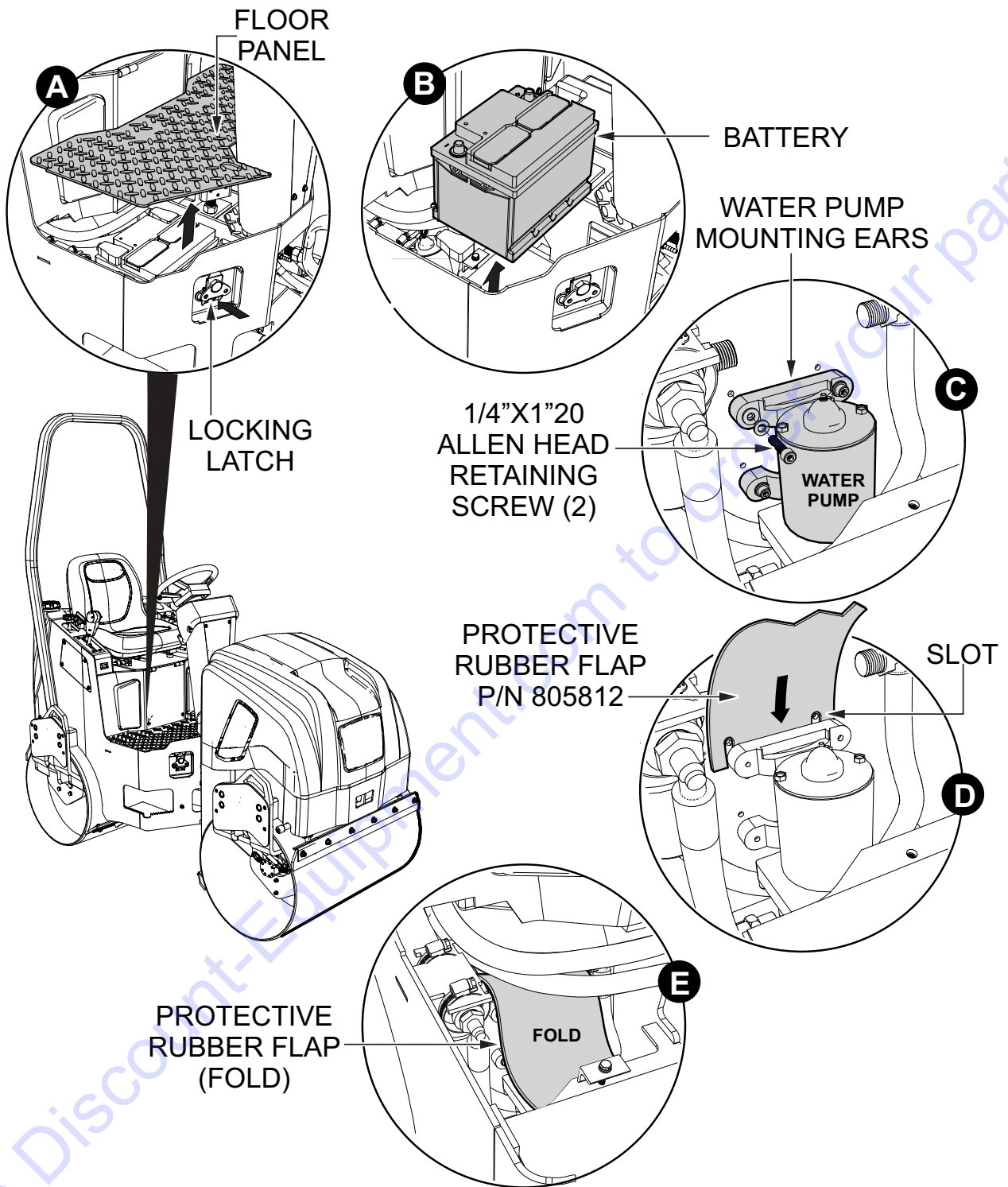
Only a **qualified service technician** with proper training should perform this installation. Follow all shop safety rules when performing this installation.

## REQUIRED TOOLS

- Ratchet and Socket Set
- 3/16" Allen Wrench or 3/16" Socket

## WATER PUMP RUBBER FLAP PROTECTOR INSTALLATION PROCEDURE

1. Release the latch (Figure 1A) that secures the floor panel to the frame.
2. Next, remove the battery (Figure 1B) from the roller and set aside in a safe place. Remove the **negative** battery cable first.
3. Using a 3/16" allen wrench remove the two 1/4" X 1" 20 allen head screws (Figure 1C) and associated hardware that secure the water pump to the frame.
4. Place the slotted sections (Figure 1D) on the protective rubber flap over the pump mounting holes.
5. Reinstall the pump mounting ears (Figure 1D) on top of the protective rubber flap and secure with hardware that was removed in step 3.
6. Fold the protective rubber flap over the pump to protect it from water (Figure 1E).
7. Reinstall the battery. Connect the **positive** battery cable first.
8. Reinstall floor panel and secure with locking latch.



**Figure 1. Water Pump Rubber Flap Protector Installation**

# PARTS FINDER

**Search Website  
by Part Number**



**Search Manual  
Library For Parts  
Manual & Lookup Part  
Numbers – Purchase  
or Request Quote**

**Search Manuals**

Enter your information to search for a manual or to purchase a manual or parts.

\* Brand:

\* Model:

\* Serial:

\* Part Number:

SEARCH

**Can't Find Part or  
Manual? Request Help  
by Manufacturer,  
Model & Description**

**Parts Order Form**

Please fill in the following information:

Manufacturer:

Model:

Description:

Quantity:

Part Number:

Part Name:

Part Description:

Part Category:

Part Location:

Part Status:

Part Condition:

Part Material:

Part Color:

Part Weight:

Part Dimensions:

Part Price:

Part Notes:

Submit

Discount-Equipment.com is your online resource for quality parts & equipment.

Florida: **561-964-4949** Outside Florida TOLL FREE: **877-690-3101**

**Need parts?**

Click on this link: <http://www.discount-equipment.com/category/5443-parts/> and choose one of the options to help get the right parts and equipment you are looking for. Please have the machine model and serial number available in order to help us get you the correct parts. If you don't find the part on the website or on one of the online manuals, please fill out the request form and one of our experienced staff members will get back to you with a quote for the right part that your machine needs.

We sell worldwide for the brands: Genie, Terex, JLG, MultiQuip, Mikasa, Essick, Whiteman, Mayco, Toro Stone, Diamond Products, Generac Magnum, Airman, Haulotte, Barreto, Power Blanket, Nifty Lift, Atlas Copco, Chicago Pneumatic, Allmand, Miller Curber, Skyjack, Lull, Skytrak, Tsurumi, Husquvarna Target, Stow, Wacker, Sakai, Mi-T-M, Sullair, Basic, Dynapac, MBW, Weber, Bartell, Bennar Newman, Haulotte, Ditch Runner, Menegotti, Morrison, Contec, Buddy, Crown, Edco, Wyco, Bomag, Laymor, EZ Trench, Bil-Jax, F.S. Curtis, Gehl Pavers, Heli, Honda, ICS/PowerGrit, IHI, Partner, Imer, Clipper, MMD, Koshin, Rice, CH&E, General Equipment, Amida, Coleman, NAC, Gradall, Square Shooter, Kent, Stanley, Tamco, Toku, Hatz, Kohler, Robin, Wisconsin, Northrock, Oztec, Toker TK, Rol-Air, APT, Wylie, Ingersoll Rand / Doosan, Innovatech, Con X, Ammann, Mecalac, Makinex, Smith Surface Prep, Small Line, Wanco, Yanmar