

OPERATION AND PARTS MANUAL



GLOBUG SERIES MODELS:

GBW/GBWE (Pentapod With Lamp)
GBS (Offset Pole With Lamp)
GBP (Lamp Only)
GBHM (Hitch Mount Accessory)
GBMP (Mounting Plate)

ORIGINAL COPY

Revision #0 (07/23/09)



THIS MANUAL MUST ACCOMPANY THE EQUIPMENT AT ALL TIMES.

PARTS FINDER

**Search Website
by Part Number**



**Search Manual
Library For Parts
Manual & Lookup Part
Numbers – Purchase
or Request Quote**

Search Manuals

Enter your information to help us find the right parts manual for your machine.

* Brand:

* Model:

* Serial:

* Part Number:

SEARCH

**Can't Find Part or
Manual? Request Help
by Manufacturer,
Model & Description**

Parts Order Form

Please fill in the following information to help us find the right part for your machine.

Manufacturer:	<input type="text"/>
Model:	<input type="text"/>
Description:	<input type="text"/>
Part Number:	<input type="text"/>
Quantity:	<input type="text"/>
Notes:	<input type="text"/>

Submit

Discount-Equipment.com is your online resource for quality parts & equipment.



Florida: **561-964-4949** Outside Florida TOLL FREE: **877-690-3101**

Need parts?

Click on this link: <http://www.discount-equipment.com/category/5443-parts/> and choose one of the options to help get the right parts and equipment you are looking for. Please have the machine model and serial number available in order to help us get you the correct parts. If you don't find the part on the website or on one of the online manuals, please fill out the request form and one of our experienced staff members will get back to you with a quote for the right part that your machine needs.

We sell worldwide for the brands: Genie, Terex, JLG, MultiQuip, Mikasa, Essick, Whiteman, Mayco, Toro Stone, Diamond Products, Generac Magnum, Airman, Haulotte, Barreto, Power Blanket, Nifty Lift, Atlas Copco, Chicago Pneumatic, Allmand, Miller Curber, Skyjack, Lull, Skytrak, Tsurumi, Husquvarna Target, Stow, Wacker, Sakai, Mi-T-M, Sullair, Basic, Dynapac, MBW, Weber, Bartell, Bennar Newman, Haulotte, Ditch Runner, Menegotti, Morrison, Contec, Buddy, Crown, Edco, Wyco, Bomag, Laymor, EZ Trench, Bil-Jax, F.S. Curtis, Gehl Pavers, Heli, Honda, ICS/PowerGrit, IHI, Partner, Imer, Clipper, MMD, Koshin, Rice, CH&E, General Equipment, Amida, Coleman, NAC, Gradall, Square Shooter, Kent, Stanley, Tamco, Toku, Hatz, Kohler, Robin, Wisconsin, Northrock, Oztec, Toker TK, Rol-Air, APT, Wylie, Ingersoll Rand / Doosan, Innovatech, Con X, Ammann, Mecalac, Makinex, Smith Surface Prep, Small Line, Wanco, Yanmar

PROPOSITION 65 WARNING

 **WARNING** 

CALIFORNIA — Proposition 65 Warning

Gasoline engine exhaust and some of its constituents are known to the State of California to cause cancer, birth defects and other reproductive harm.

Go to Discount-Equipment.com to order your parts

TABLE OF CONTENTS

GBW/GBWE/GBS/GBP/ GBHM/GBMP Lighting System

Proposition 65 Warning	2
Table Of Contents	3
Parts Ordering Procedures.....	4
Specifications	10
Dimensions (GBW/GBWE).....	11
Dimensions (GBS).....	12
Dimensions (GBP).....	13
Footcandle Plot.....	14
General Information.....	15
Components	16-17
Setup	18-22
Operation.....	23-25
Maintenance	26-31
Wiring Diagram.....	32
Explanation Of Code In Remarks Column.....	34

Suggested Spare Parts	35
-----------------------------	----

Component Drawings

Nameplates And Decals (GBW/GBWE)	36-37
Nameplates And Decals (GBS)	38-39
Balloon And Lamp Assy (GBW/GBWE/GBS)...	40-41
Mast Assy (GBW/GBWE)	42-43
Pentapod Assy (GBW/GBWE).....	44-45
Pole Assy (GBS).....	46-47
Hitch Mount Assy (GBHM)	48-49
Plate Mount Assy (GBMP).....	50-51

Terms And Conditions Of Sale — Parts	52
--	----

NOTICE

Specifications and part numbers are subject to change without notice.

SAFETY INFORMATION


Do not operate or service the equipment before reading the entire manual. Safety precautions should be followed at all times when operating this equipment. Failure to read and understand the safety messages and operating instructions could result in injury to yourself and others.





SAFETY MESSAGES

The four safety messages shown below will inform you about potential hazards that could injure you or others. The safety messages specifically address the level of exposure to the operator and are preceded by one of four words: **DANGER**, **WARNING**, **CAUTION** or **NOTICE**.

SAFETY SYMBOLS



 DANGER
Indicates a hazardous situation which, if not avoided, WILL result in DEATH or SERIOUS INJURY .

 WARNING
Indicates a hazardous situation which, if not avoided, COULD result in DEATH or SERIOUS INJURY .

 CAUTION
Indicates a hazardous situation which, if not avoided, COULD result in MINOR or MODERATE INJURY .

NOTICE
Addresses practices not related to personal injury.

Potential hazards associated with the operation of this equipment will be referenced with hazard symbols which may appear throughout this manual in conjunction with safety messages.

Symbol	Safety Hazard
	Burn hazards
	Electric shock hazards

SAFETY INFORMATION

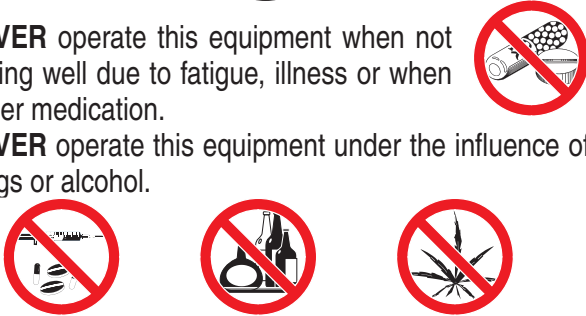
GENERAL SAFETY

CAUTION

- **NEVER** operate this equipment without proper protective clothing, shatterproof glasses, respiratory protection, hearing protection, steel-toed boots and other protective devices required by the job or city and state regulations.



- **NEVER** operate this equipment when not feeling well due to fatigue, illness or when under medication.
- **NEVER** operate this equipment under the influence of drugs or alcohol.



- **ALWAYS** check the equipment for loosened threads or bolts before starting.
- **DO NOT** use the equipment for any purpose other than its intended purposes or applications.

NOTICE

- This equipment should only be operated by trained and qualified personnel 18 years of age and older.
- Whenever necessary, replace nameplate, operation and safety decals when they become difficult read.
- Manufacturer does not assume responsibility for any accident due to equipment modifications. Unauthorized equipment modification will void all warranties.
- **NEVER** use accessories or attachments that are not recommended by Multiquip for this equipment. Damage to the equipment and/or injury to user may result.
- **ALWAYS** know the location of the nearest fire extinguisher.
- **ALWAYS** know the location of the nearest first aid kit.
- **ALWAYS** know the location of the nearest phone or **keep a phone on the job site**. Also, know the phone numbers of the nearest **ambulance, doctor and fire department**. This information will be invaluable in the case of an emergency.



SAFETY INFORMATION

LIGHTING SYSTEM SAFETY

DANGER

- **NEVER** use lighting system in **rain, snow** or areas of high humidity that could generate electrical storms.



WARNING

- **NEVER** disconnect any **emergency or safety devices**. These devices are intended for operator safety. Disconnection of these devices can cause **severe injury, bodily harm or even death**. Disconnection of any of these devices will void all warranties.

CAUTION

- **NEVER** attempt service on a running machine.

NOTICE

- To prevent the lighting system from overturning, **NEVER** use in winds that exceed 22 mph (10 m/s).
- The lighting system should only be used in temperatures between 23° to 104°F (-5° to 40° C). Failure to comply with these operating parameters could cause the lamp to malfunction and shorten the ballast life.
- **ALWAYS** keep the lighting system in proper running condition.
- Fix damage to lighting system and replace any broken parts immediately.
- **ALWAYS** store equipment properly when it is not being used. Equipment should be stored in a clean, dry location out of the reach of children and unauthorized personnel.

LAMP SAFETY

WARNING

- **NEVER** attempt to replace lamp with the power on. Always unplug the power cord from the generator or power source when changing the lamp.
- **ALWAYS** allow a sufficient amount of time for the lamp to **cool** before changing. The possibility exists of severe burns.

CAUTION

- **NEVER** use force when installing the lamp. Excessive force could cause the lamp to break, causing bodily harm.

NOTICE

- **NEVER** leave any grease or oil residue on lamp surface when replacing or removing lamp. This can create hot spots, reducing the service life of the lamp.
- **ALWAYS** make sure lamp surface is clean and dry.
- **ALWAYS** replace with MQ recommended type lamp. See parts section of this manual.
- If applicable, **ALWAYS** make sure the lamp guard is installed correctly. **NEVER** deform the lamp guard.
- **NEVER** unplug the lamp's AC power cable during operation.
- **ALWAYS** have a **trained technician** to install and remove lamp or replace any damaged fixture wiring.

SAFETY INFORMATION

BALLOON SAFETY

WARNING

- To prevent serious burns, **NEVER** touch or unzip the balloon envelope when the lamp is on.



CAUTION

- **ALWAYS** keep the balloon away from sharp objects and excessive amounts of heat.

NOTICE

- To prevent balloon deformation, **NEVER** use lighting system in strong winds.
- **DO NOT** place the balloon inside its protective cover until the lamp has had a sufficient amount of time to cool down. This will prevent the balloon's nylon cover from being burned (touching the lamp surface).
- **ALWAYS** place the balloon inside its protective cover after each use. This will prolong the life of the balloon material, keeping it protected from harsh environmental elements.
- Replace balloon immediately if damaged. A damaged balloon will not inflate properly, and may become more damaged by touching the hot lamp surface.
- **DO NOT** use excessive force when zipping and unzipping the balloon. Be gentle with the zipper mechanism. If the zipper is broken, the balloon will become unusable.

GENERATOR SAFETY

If using a generator to power lighting system, refer to applicable generator manual safety information section.



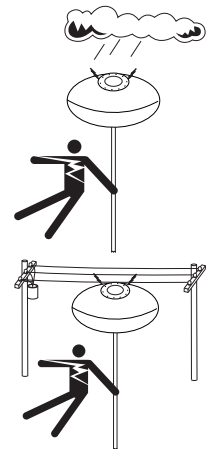
ELECTRICAL SAFETY

DANGER

- Lighting system is equipped with a ground pin on the power plug. For your protection, **ALWAYS** complete the grounding path. **NEVER** insert the AC power plug into a 2-prong receptacle to operate lighting system.

When applying power to the lighting system, **ALWAYS** connect the AC power plug to a 3-prong receptacle that is grounded. The possibility exists of **electrical shock, electrocution and even death** if the lighting system is not grounded.

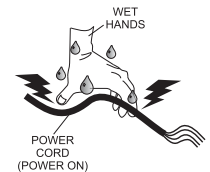
- **NEVER** operate lighting system or handle any electrical equipment while standing in water, while barefoot, while hands are wet or in the rain. A dangerous **electrical shock** could occur, causing **severe bodily harm or even death**.
- **ALWAYS** make sure the area above the lighting system is open and clear of overhead power lines and other obstructions. Contact with overhead power lines or other obstructions could result in equipment damage, **electrical shock, electrocution and even death**.



Power Cord/Cable Safety

DANGER

- **NEVER** let power cords or cables **lay in water**.
- **NEVER** use **damaged** or **worn** cables or cords. Inspect for cuts in the insulation
- **NEVER** grab or touch a live power cord or cable with wet hands. The possibility exists of **electrical shock, electrocution or death**.
- Make sure power cables are securely connected. Incorrect connections may cause **electrical shock** and damage to the lighting system.



NOTICE

- **ALWAYS** make certain that proper power or extension cord has been selected for the job. See Cable Selection Chart in this manual.

SAFETY INFORMATION

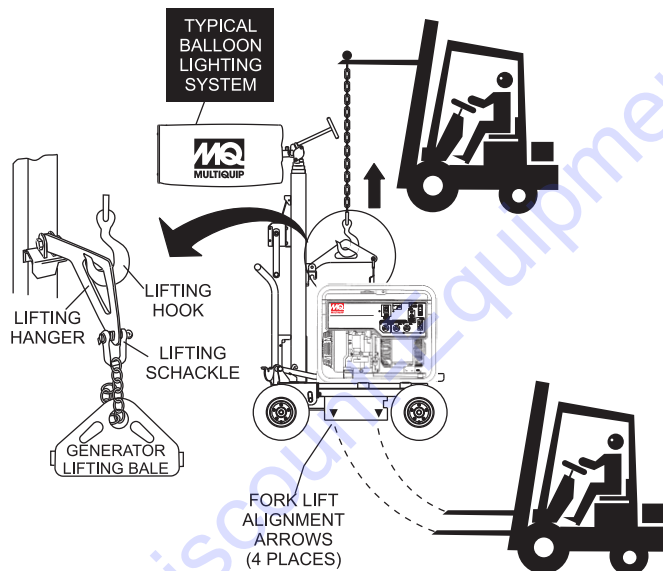
LOADING AND UNLOADING

Cart Type - With Lifting Hook

If lighting system is equipped with a transport lifting hook, refer to the following safety information.

CAUTION

- Before lifting, make sure that lighting system parts are not damaged and screws are not loosened or lost.
- **ALWAYS** make sure crane or lifting device has been properly secured to lifting hook of the equipment.
- **NEVER** lift the equipment while lighting system is running.
- Make sure the mast is completely lowered before lifting the lighting system.
- Use adequate lifting cable (wire or rope) of sufficient strength.
- Use one point suspension hook and lift straight upwards.



- Never allow any person or animal to stand underneath the equipment while lifting.
- **DO NOT** lift machine to unnecessary heights.

Cart Type - No Lifting Hook

If lighting system is not equipped with a transport lifting hook and the mast is removable, refer to the following safety information.

- Before lifting, make sure that the mast and lamp are removed as described in the manual.
- The cart can be safely lifted by two persons to the transport vehicle.

TRANSPORTING SAFETY

NOTICE

- When transporting the lighting system, if applicable, always place in **stow position** and place mast in its carrying case.
- **ALWAYS** remove balloon/lamp assembly from the mast when transporting lighting system. This will prevent damage to the bulb due to vibration.
- **NEVER** leave the balloon/lamp exposed during transport. Exposure to excess wind or rain could damage the balloon's nylon cover.
- **ALWAYS** place balloon inside its protective cover during transport. Be sure the cover is secured tightly around the balloon/lamp assembly.

SPECIFICATIONS

Table 1. Specifications

Model	GBW/GBWE/GBS/GBP
Input Voltage	120 VAC
Max. Current	9.3 A @ 120 V
Frequency	50-60 Hz Single-Phase
Appropriate Generator	1700 Watts
Lamp	
Lamp Type	1,000 Watt Metal Halide
Total Luminous Flux	107,000 lm
Standard Balloon Diameter	47.2 in (1200 mm)
Light Coverage (360°)	90 ft (27.4 meters)
Lamp Surface Temperature (Longitudinal)	476.6° F (247° C) max
Lamp Surface Temperature (Transversal)	417.2° F (214° C) max
Dimensions (L x W x H) Storage (Lamp)	8.7x 8.7 x 40 in (700 x 1,023 x 1,212 mm)
BALLOON	
Balloon Dimensions (L x W x H)	47.2 x 47.2 x 28.3 in. (1200 x 1200 x 720 mm)
Balloon Material	Polyester
Balloon Heat-Resisting Temperature	320-356° F (160-180° C)
Internal Balloon Temperature	126° F (52° C)
Balloon Water Resistance	1,500 mm H ₂ O
FAN MOTOR	
Fan Motor Voltage	100 VAC
Fan Motor Current	0.45/0.55 A
Fan Motor Pressure	.347/.372 kPA (.050/.054 psi)
PENTAPOD (GBW/GBWE only)	
Outriggers	5
Mast - Number of Stages	3 (air shock absorbers)
GBW Dimensions (L x W x H) Upper Working Position	64.6 x 67.9 x 107 to 158.3 in (1,640 x 1,725 x 2,720 to 4,020 mm)
GBWE Dimensions (L x W x H) Upper Working Position	64.6 x 67.9 x 107 to 193.3 in (1,640 x 1,725 x 2,720 to 4,910 mm)
Dimensions (L x W x H) Storage (Pentapod)	7.9 x 8.7 x 28.3 in (200 x 220 x 720 mm)
Weight	56 lb (25.6 kg)
OFFSET POLE (GBS Only)	
Mast - Number of Stages	2 stages (offset and straight pole)
Dimensions (L x W x H) Upper Working Position	47.2 x 49.6 x 99 in (1,200 x 1,260 x 2,515 mm)
Dimensions (L x W x H) Storage	Straight Pole: 35 in (890 mm) Offset Pole: 26.9 x 16.7 x 2 in (683 x 425 x 52 mm)
Weight	34 lb (15.4 kg)

DIMENSIONS (GBW/GBWE)

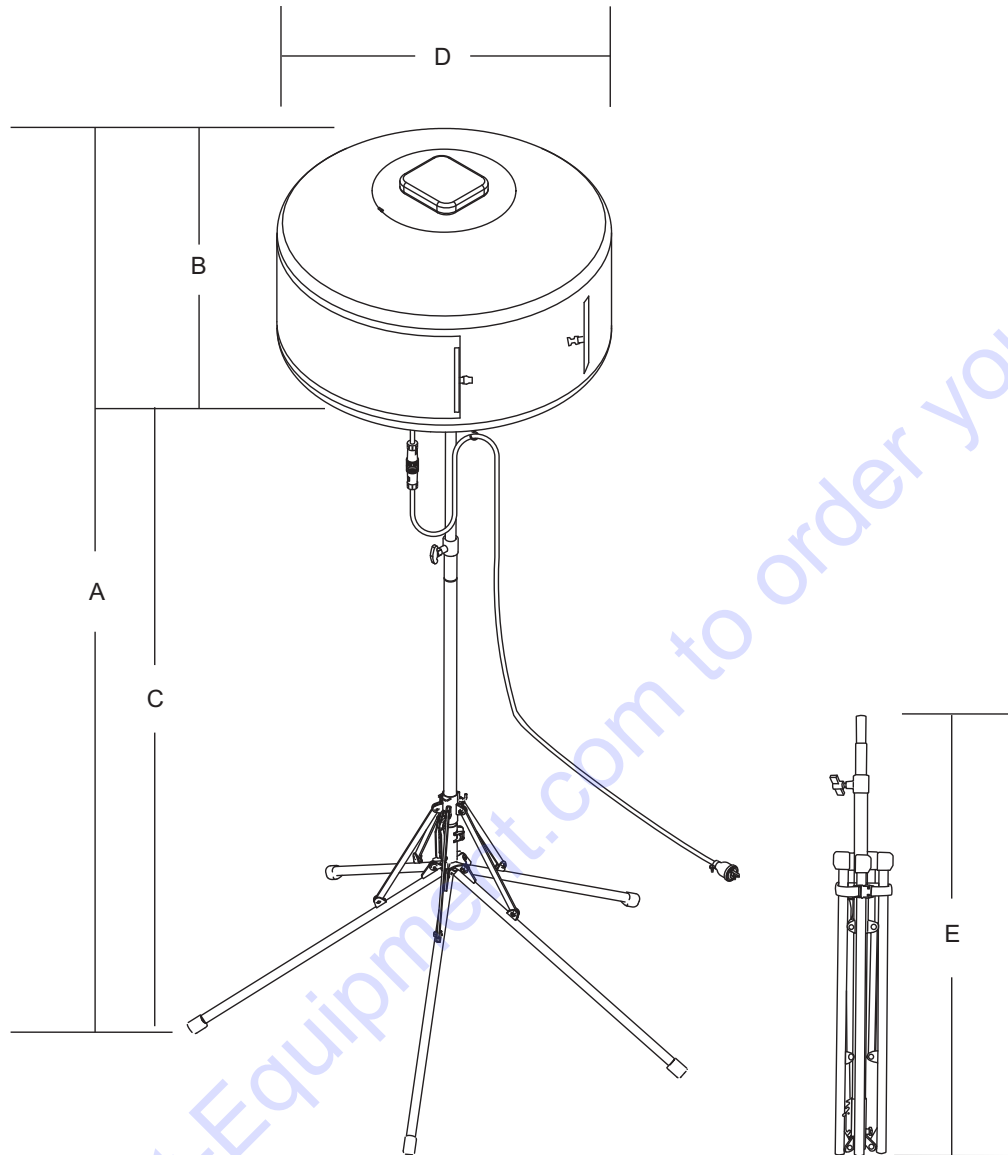


Figure 1. GBW/GBWE Dimensions

Table 2. GBW Dimensions		
Reference Letter	Description	Dimension inches (mm)
A (GBW)	Total Max. Height (with Standard Balloon)	158.3 (4,020)
A (GBWE)	Total Max. Height (with Standard Balloon)	193.3 (4,910)
B	Standard Balloon Height	28.3 (720)
C	Mast Height (without Balloon)	130 (3,302)
D	Standard Balloon Diameter	47.2 (1,200)
E	Mast Height (Stowed)	28.3 (720)

DIMENSIONS (GBS)

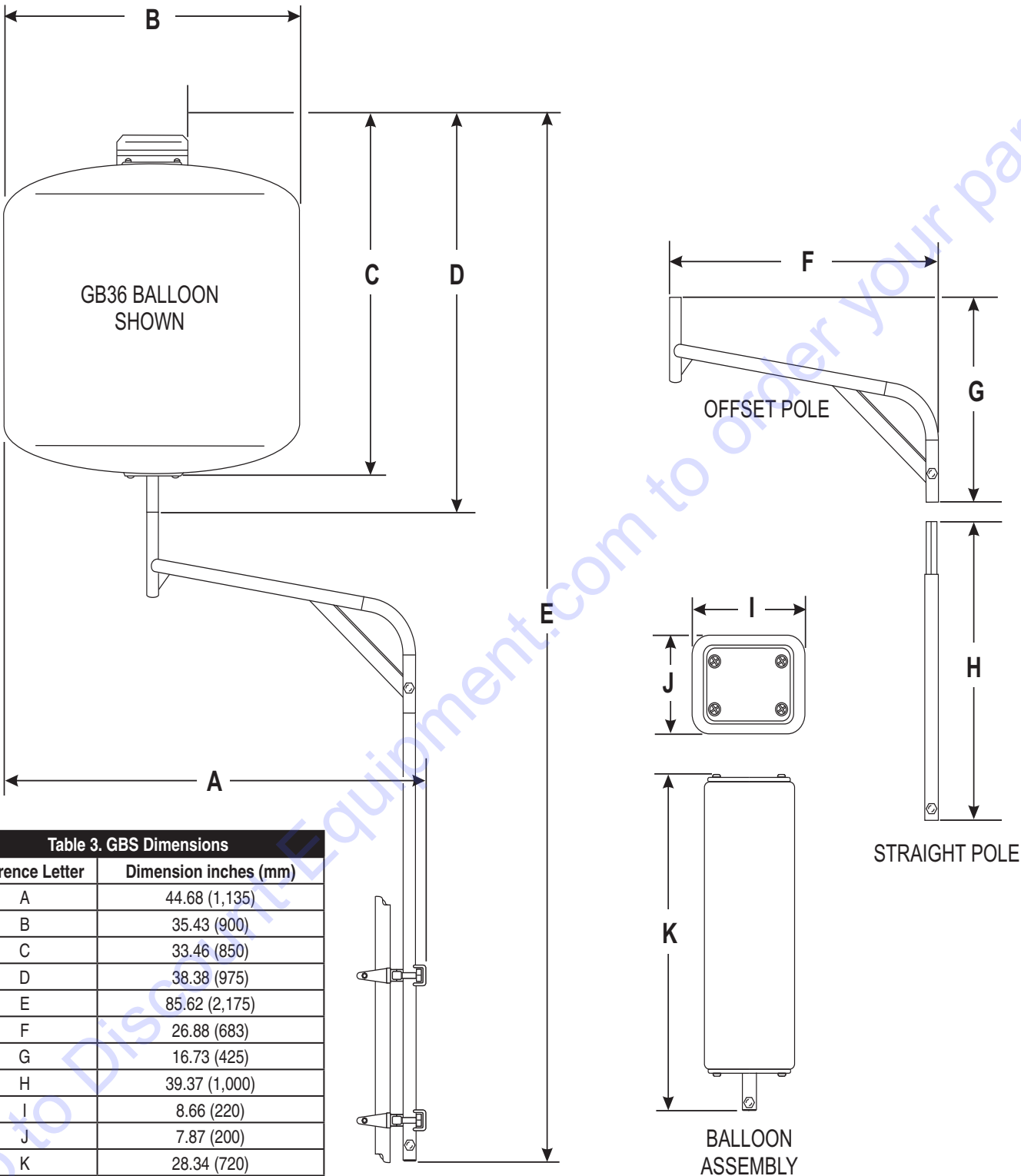


Figure 2. GBS Dimensions

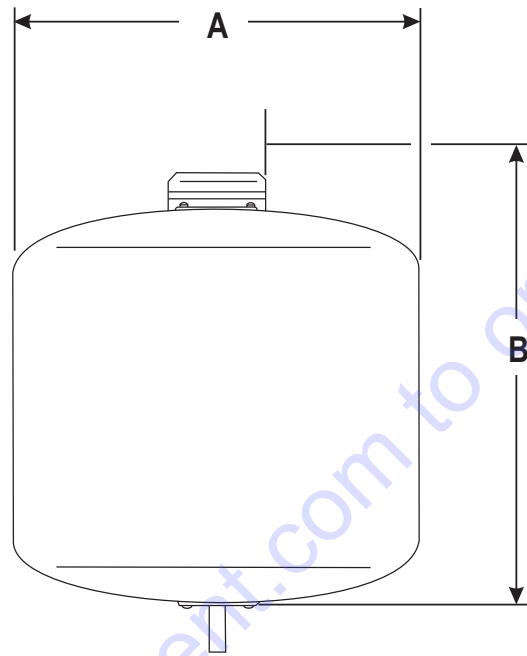
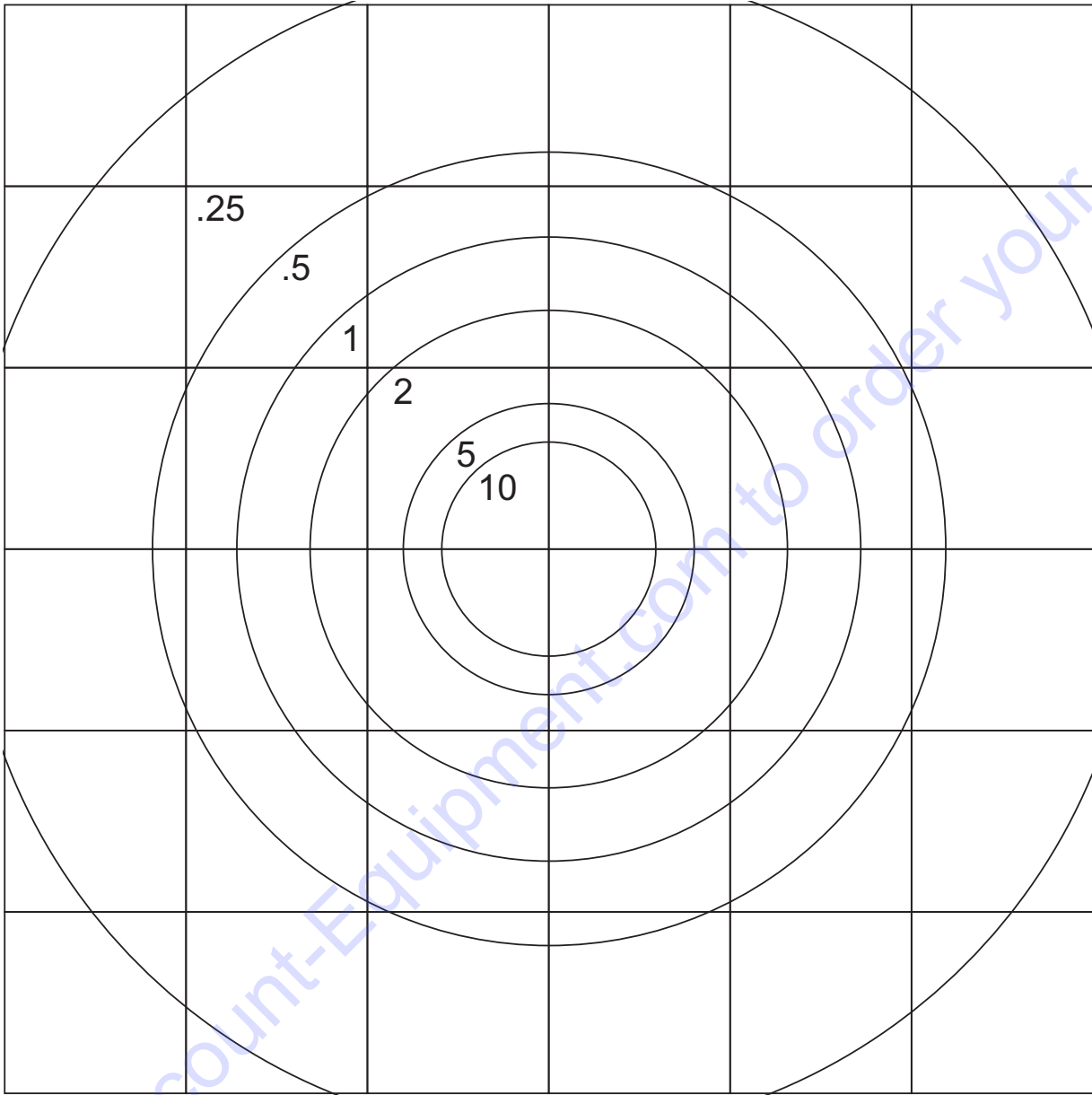


Figure 3. GBP Dimensions

Table 4. GBP Dimensions	
Reference Letter	Dimension inches (mm)
A	35.43 (900)
B	33.46 (850)

FOOTCANDLE PLOT



VALUES LISTED AS FOOTCANDLES

SCALE: 1 GRID = 50 FT. (15.24 METERS)

Figure 4. Illumination Range

GENERAL INFORMATION

The Multiquip GloBug GBW/GBWE, GBS, GBP are general- purpose, portable, glare-free lighting systems intended for emergency and remote lighting needs. It is universally adaptable to all AC power supplies and accepts 50/60 Hz, 100-240 V.

The GBP (also included with the GBW/GBWE and GBS) provides 360° glarefree illumination. The balloon is self-inflating and easy to install and inflate in less than 20 seconds. It uses a single 1,000 watt lamp with pure white light for maximum illumination with a light coverage of up to 150 feet. The balloon is self-inflating and easy to install and inflate in less than 20 seconds.

The GBW/GBWE has a three-stage mast that extends to a height of up to 13 feet and 2 inches. The GBW/GBWE has five outriggers (pentapod) for great stabilization.

The GBS is designed to be attached to an external piece of equipment such as a paver. The system is easy to assemble and includes poles and mounting brackets.

The GBHM Hitch Mount can be used to attach a GBP to a hitch on a truck.

The GBMP Plate Mount can be used to attach a GBP to a trailer.

If an extension cord is necessary to connect to a power source, refer to Table 5 to select the proper length.

Table 5. Extension Cord Gauge Selection

Ampere Rating Range	Volts	Length of Cord in Feet								
	115V	25 Ft.	50 Ft.	100 Ft.	150 Ft.	200 Ft.	250 Ft.	300 Ft.	400 Ft.	500 Ft.
	230V	50 Ft.	100 Ft.	200 Ft.	300 Ft.	400 Ft.	500 Ft.	600 Ft.	800 Ft.	1000 Ft.
0 - 2		18	18	18	16	16	14	14	12	12
2 - 3		18	18	16	14	14	12	12	10	10
3 - 4		18	18	16	14	12	12	10	10	8
4 - 5		18	18	14	12	12	10	10	8	8
5 - 6		18	16	14	12	10	10	8	8	6
6 - 8		18	16	12	10	10	8	6	6	6
8 - 10		18	14	12	10	8	8	6	6	4
10 - 12		16	14	10	8	8	6	6	4	4
12 - 14		16	12	10	8	6	6	6	4	2
14 - 16		16	12	10	8	6	6	4	4	2
16 - 18		14	12	8	8	6	4	4	2	2
18 - 20		14	12	8	6	6	4	4	2	2

COMPONENTS

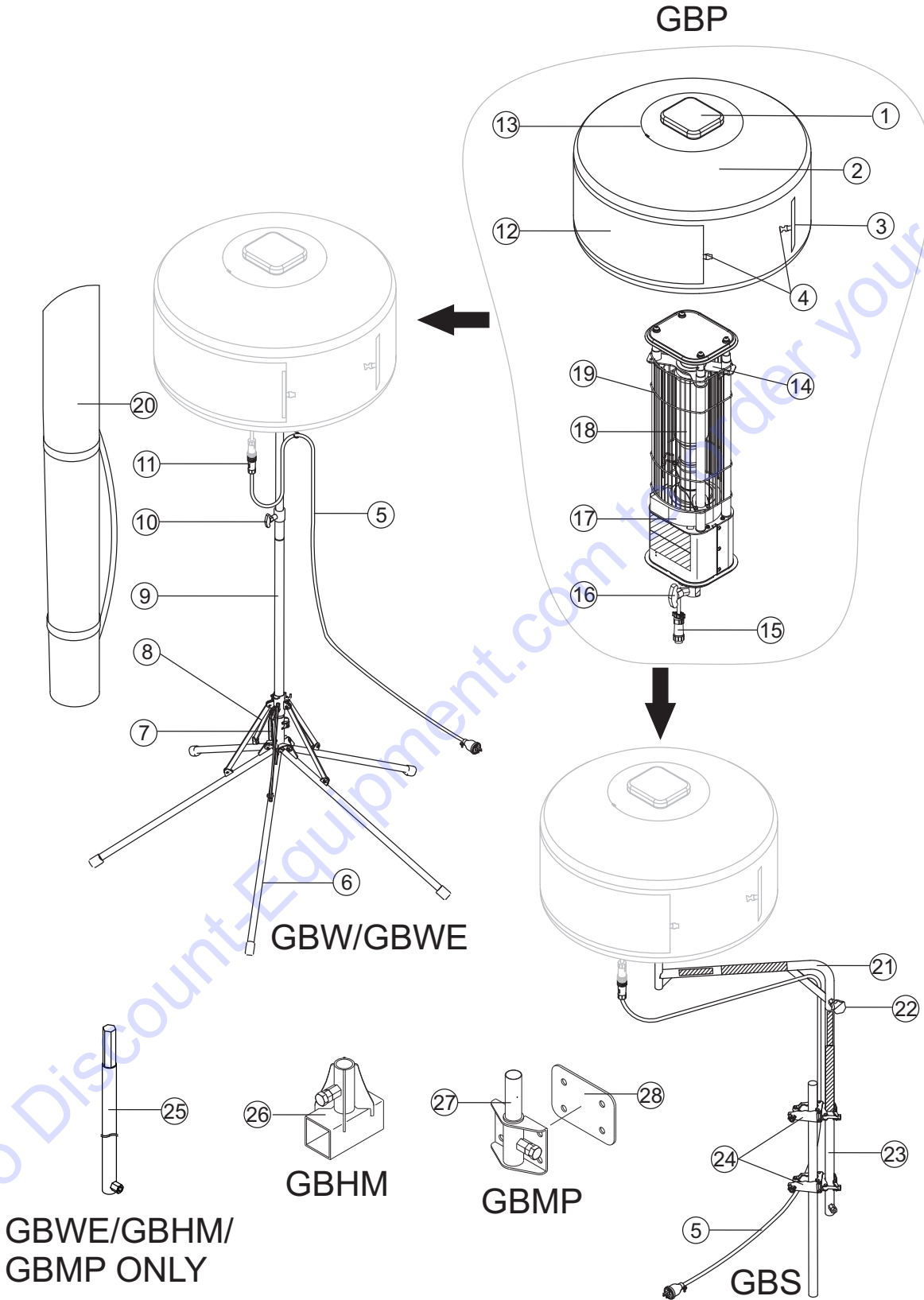


Figure 5. GBW/GBWE/GBS/GBP Components

COMPONENTS

Figure 5 shows the location of the controls and components for the GBW Lighting System. The functions of each control is described below:

1. **Balloon Cover** — Stores balloon when GBW is not in use. Allow a sufficient amount of time for the lamp to cool down before storing balloon. Possibility exists of balloon getting burned.
2. **Balloon** — Made of heat resistant polyester, with a diameter of 47.2 inches (1,200 mm). Balloon is self-inflating and inflates in less than 20 seconds.
3. **Velcro** — Used to easily attach optional message strip to the balloon.
4. **Buckle** — Used to hold the balloon together when storing inside the cover.
5. **AC Power Cable** — Connects to the AC power source (generator) on one end and to the lamp connector on the other end with quick-disconnect connector.
6. **Pentapod** — Supports and holds up the GBW.
7. **Locking Clamps** — To secure the generator to the cart platform, place clamps around the pipe frame of the generator. Tighten securely to prevent movement.
8. **Stay** — Supports the mast against the pentapod.
9. **Mast** — This mast is comprised of three separate stages. The mast can be raised in excess of 8 feet (without balloon). When raising the mast, always be on the lookout for overhead obstructions.
10. **Mast Bolt** — Loosen to raise mast and tighten to keep the mast in place when raised to the desired height.
11. **AC Power Cable Connector** — Connect this quick-disconnect plug to the balloon connector.
12. **Message Strip (OPTIONAL)** — a 12 x 43 inch message strip (GBBALD1) may be attached to the balloon. The message strip can be purchased separately.
13. **Zipper** — Zips up balloon to completely close it when lamp is in place.
14. **Lamp Holder** — Holds lamp in place. Lamp is screwed into socket.
15. **Balloon Connector** — Connect this connector to the AC power cable connector.
16. **Lamp/Balloon Bolt** — Used to tighten mast when attached to the lamp/balloon assembly.
17. **Fan Motor (Blower)** — Inflates the balloon as soon as power is applied.
18. **Lamp** — 1000 watt metal halide bulb with pure white light for maximum illumination.
19. **Lamp Guard** — Protects the lamp from being hit by objects and the balloon from touching the lamp.
20. **Carrying Case** — Use this case to store the pentapod when transporting or when not in use.
21. **Offset Pole** — Supports lamp assembly when attached to the straight pole.
22. **Knob** — Secures the offset pole to the straight pole when tightened.
23. **Straight Pole** — Used in conjunction with the offset pole to support the lamp assembly.
24. **Clamps** — Used to attach the straight pole to an external support. These clamps must be tightened securely to prevent the light assembly from falling off.
25. **Extension Pole** — Extends mast height by 40 inches (GBWE). For GBHM and GBMP, 2 poles are included to support the desired balloon assembly.
26. **Hitch Mount Assembly** — Used to attach balloon assembly to a hitch on a truck or similar vehicle.
27. **Plate Mount Assembly** — Used to attach balloon assembly to a trailer or similar vehicle.
28. **Plate** — Attaches directly to a trailer to hold plate mount assembly.

GBW/GBWE SETUP

1. Set the GBW on a firm level surface where there is enough space around the pentapod for the outriggers to be deployed.
2. Remove the pentapod from the carrying case. The pentapod outriggers are secured together with a strap. See Figure 6. Squeeze both tabs on the buckle to unlock strap and release pentapod outriggers.

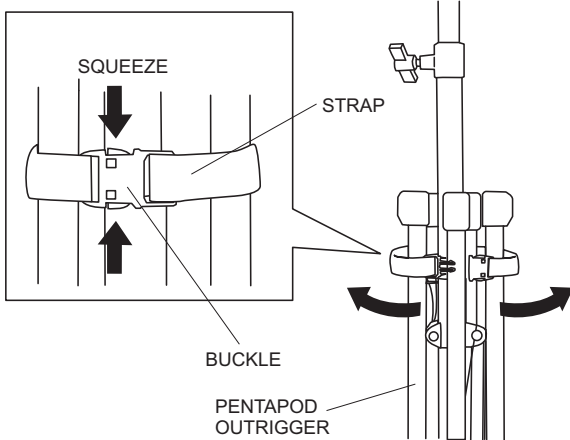


Figure 6. Releasing Pentapod Buckle

3. Lift mast up and deploy the pentapod as shown in Figure 7.

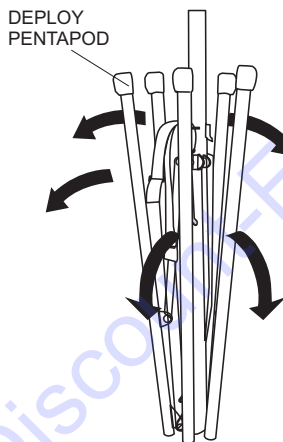


Figure 7. Deploying the Pentapod

4. With pentapod fully deployed, hook the latch to lock the pentapod in place. The latch can be hooked in the

upper or lower position. Placing the lock in the upper position will provide 1 foot (305 mm) more height. See Figure 8.

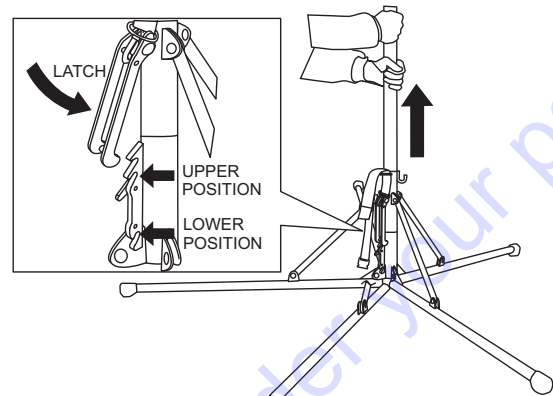


Figure 8. Securing the Pentapod

5. For the GBWE, attach the extension pole to the top of the mast as shown in Figure 9.

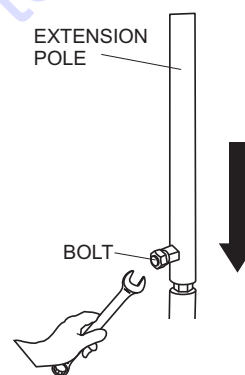


Figure 9. Attaching Extension Pole (GBWE)

6. To improve stability and prevent tipping of the lighting system, place sand bags on the outriggers or similar weight on the weight hook as shown in Figure 10.

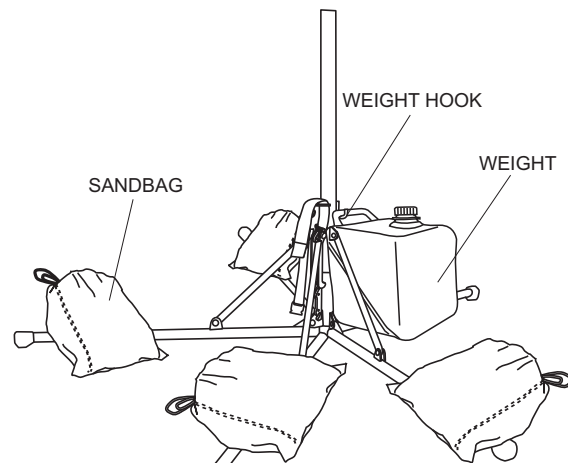


Figure 10. Sand Bags and Weight

GBS SETUP

1. Attach one of the clamps that come with the GBS to the external support pole. The clamps may be attached to vertical, horizontal, or angled pole. See Figure 11.

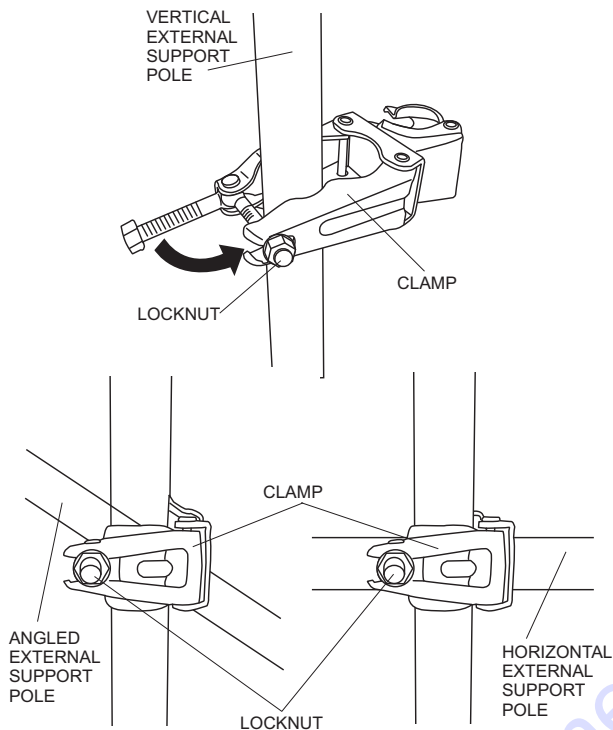


Figure 11. Clamp Attachment

2. Using a 19 mm wrench, tighten the locknut securely. See Figure 11.
3. Attach the other clamp to the external support pole about 7 inches (140 mm) lower than the previously installed clamp. See Figure 12. If using horizontal external support poles, a second pole is needed.

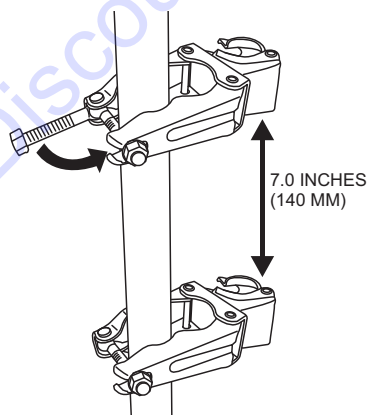


Figure 12. Distance Between Clamps

4. Attach the straight pole to the clamps. Tighten locknuts on both clamps. See Figure 13.

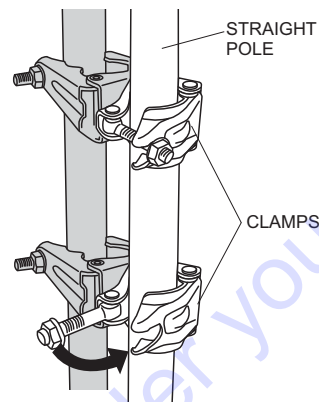


Figure 13. Straight Pole Attachment

WARNING

Always securely tighten the locknuts when assembly is used to prevent the lighting system from falling off which can cause injury or equipment damage.

5. Place the offset pole (or an optional straight pole, if desired) on top of the straight pole. Tighten knob or bolt securely. See Figure 14.

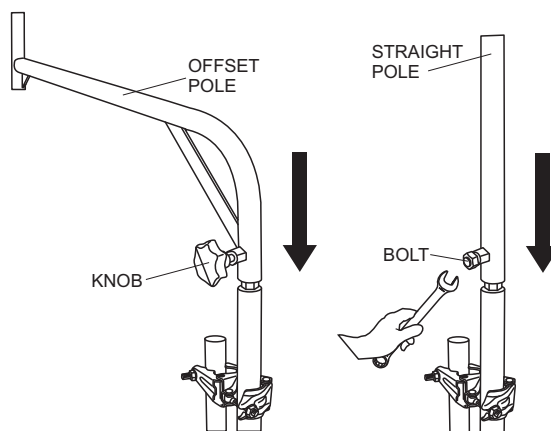


Figure 14. Offset Pole Attachment

WARNING

Always securely tighten the knob on the offset or the bolt on the straight pole when assembly is used to prevent the lighting system from falling off which can cause injury or equipment damage.

BALLOON INSTALLATION (GBW/GBWE/GBS)

1. Insert the balloon assembly into the mast. Tighten the T-bolt securely. See Figure 15.

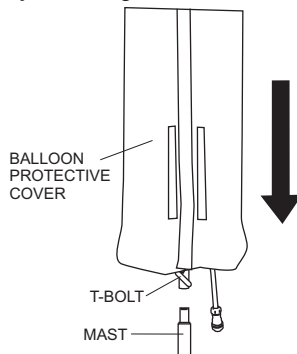


Figure 15. Installing the Balloon

2. Unsnap the three buttons on the bottom of the balloon cover and unzip the cover. See Figure 16
3. Remove the AC Power Cable from the inside pocket of the balloon cover. See Figure 16.

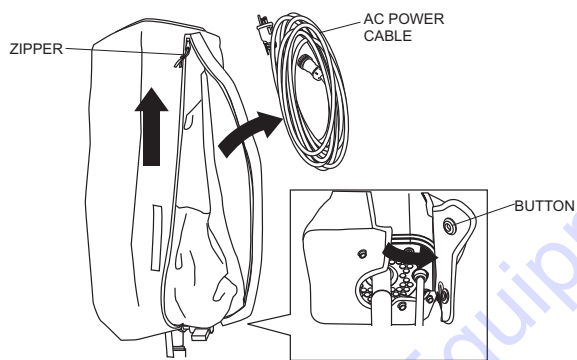


Figure 16. Removal of AC Power Cable from Balloon Cover

4. Fold the balloon cover into itself and zip it up. See Figure 17.

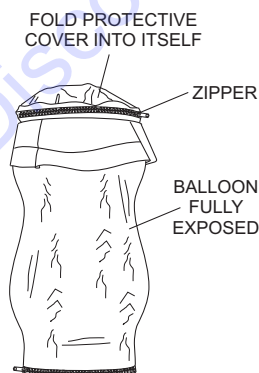


Figure 17. Folding Balloon Cover

5. Connect the power cable to the lamp cable connector. See Figure 18.

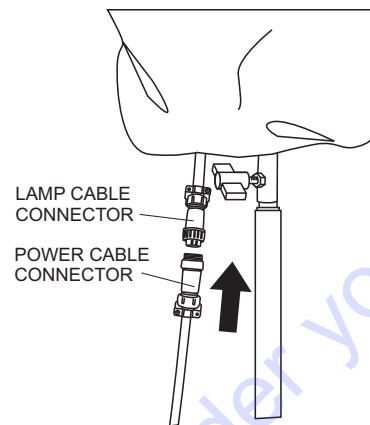


Figure 18. Connecting the Power Cable

6. Secure the power cable by hooking it to the eyelet on the bottom of the balloon as shown in Figure 19.

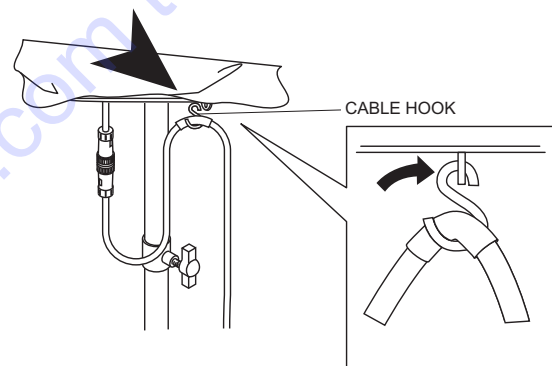


Figure 19. Securing Cable with Hook

7. Release the buckle on the belt holding the balloon together. See Figure 20.

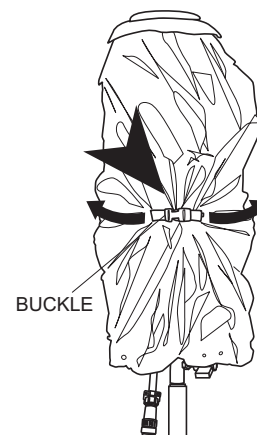


Figure 20. Releasing Buckle

GBHM INSTALLATION

The GBHM Hitch Mount can be used to attach a balloon/lamp assembly (GBP) to the hitch of a truck or similar vehicle. See Figure 21 for installation procedure.

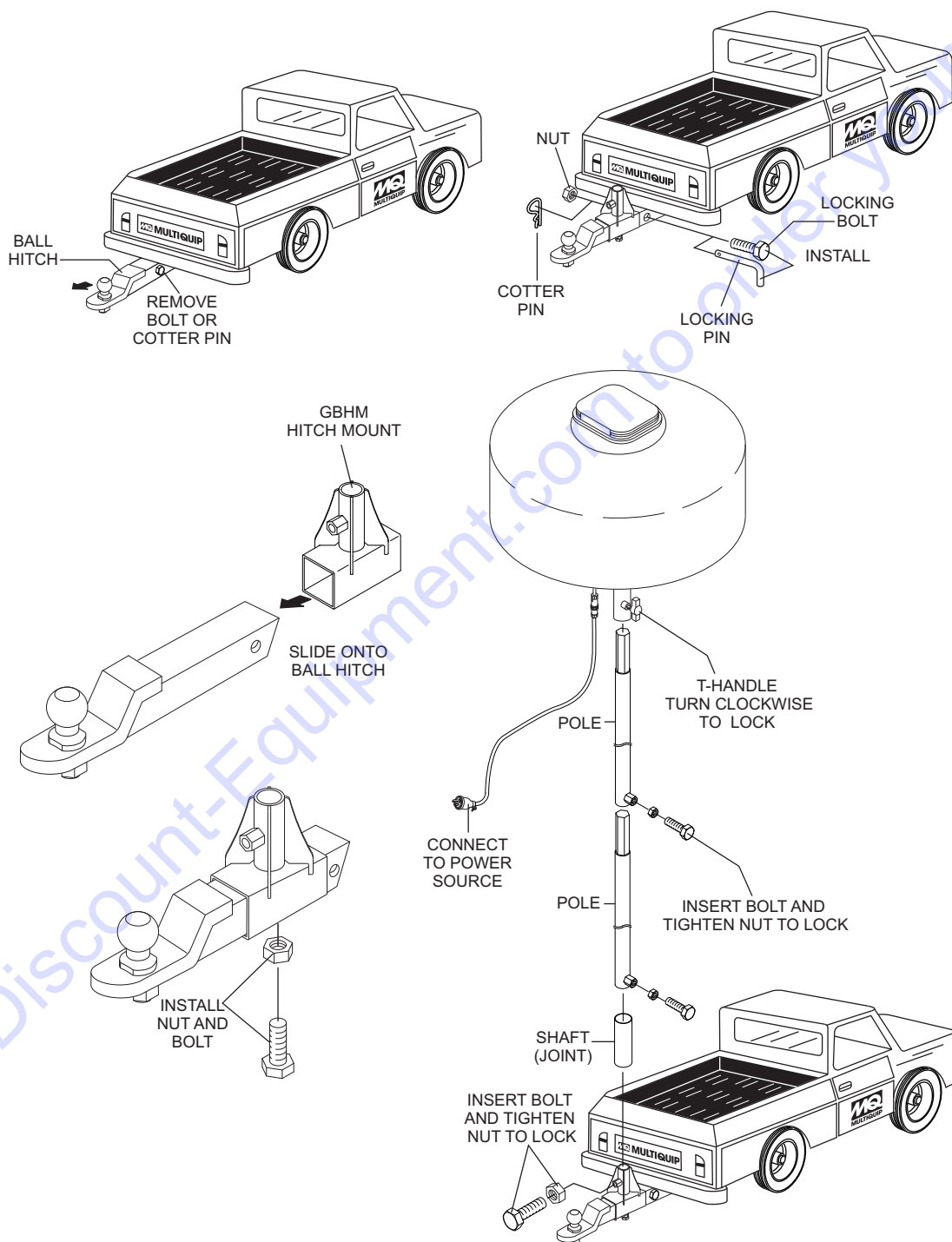


Figure 21. GBHM Installation

GBMP INSTALLATION

The GBMP Plate Mount is attached to a trailer or similar vehicle to support the balloon/lamp assembly (GBP). See Figure 22 for installation procedure

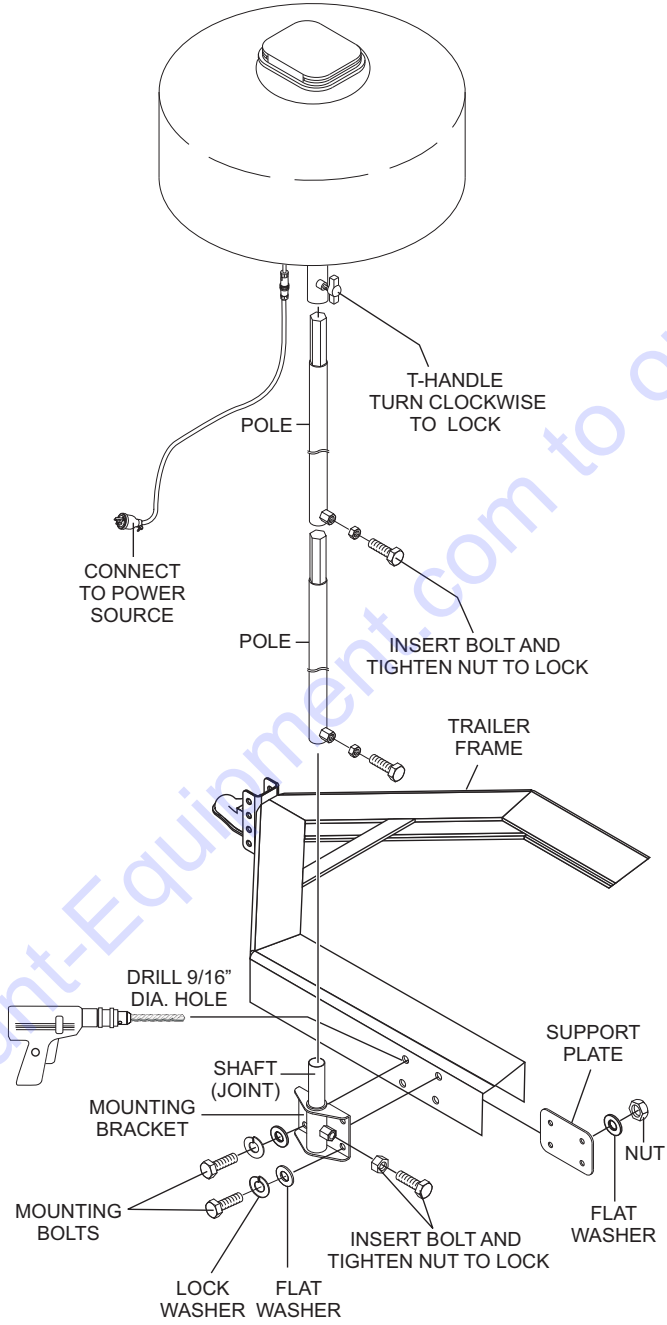
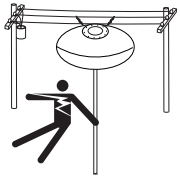


Figure 22. GBMP Installation

RAISING THE MAST (GBW/GBWE)

⚠ DANGER



ALWAYS make sure the area above the lighting system is open and clear of overhead power lines and other obstructions. Contact with overhead power lines or other obstructions could result in equipment damage, **electrical shock, electrocution and even death.**

⚠ CAUTION

When raising or lowering the mast, keep hands and fingers clear of the mast sections to prevent hand and fingers from getting pinched.

1. Raise the second mast to the desired height and tighten the T-bolt securely. See Figure 23.

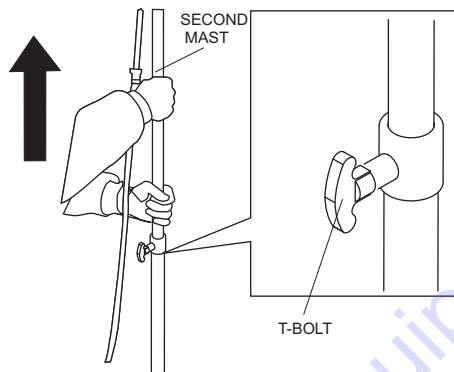


Figure 23. Raising the Second Mast

2. To raise the mast higher, raise the third mast until the lock/release tab pops out. The tab will automatically rest on the second mast. See Figure 24.

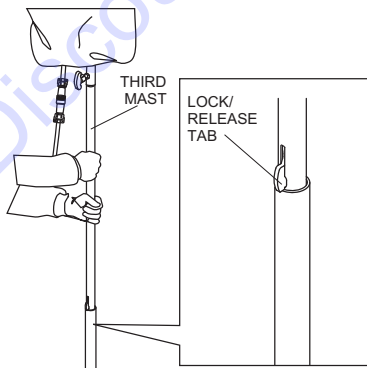


Figure 24. Raising the Third Mast

LOWERING THE MAST (GBW/GBWE)

1. Loosen the T-bolt holding the second mast and push mast all the way down. Tighten T-bolt securely. See Figure 25.

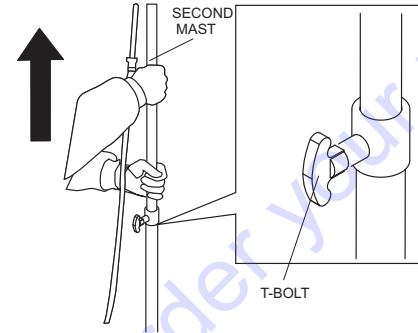


Figure 25. Lowering Second Mast

2. Push the lock/release tab on the third mast to release it and lower third mast. See Figure 26.

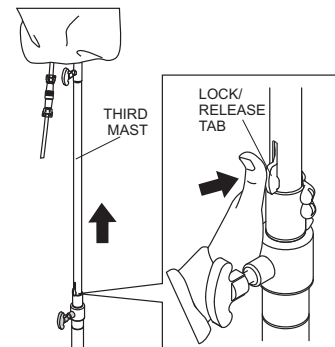


Figure 26. Lowering Third Mast

APPLYING POWER

1. If using a portable generator, plug the AC power cable to the 120 VAC receptacle on the generator used. See Figure 27.

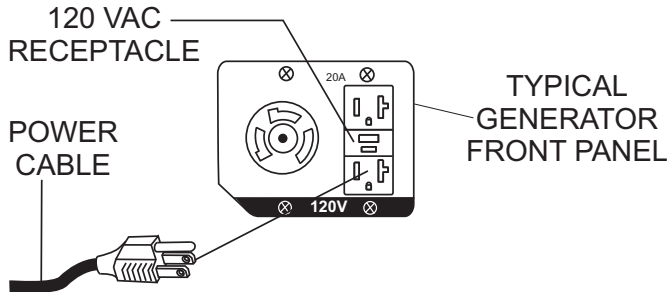


Figure 27. Connecting to Generator

2. Start the generator as indicated in the generator manual.
3. If using power source other than a portable generator, plug the AC power cord to a 120 VAC, receptacle. See Figure 28.

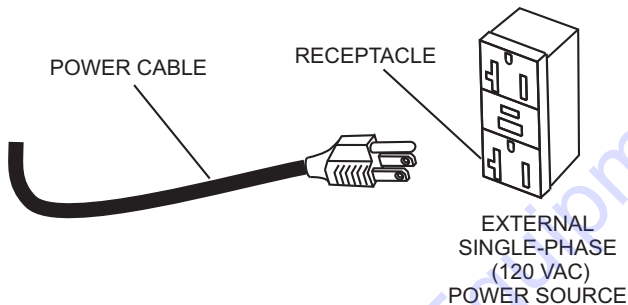


Figure 28. Connecting to 120 VAC Receptacle

4. The balloon will start to inflate as soon as power is applied and the lamp will turn on.

NOTICE

If the power cable is accidentally unplugged from the power source, wait three to five minutes before reconnecting the power. This will allow time for the fan to reset and ensure balloon will inflate properly when power is reconnected.

SHUTDOWN

1. Turn off the power switch of the generator.
2. Disconnect the AC power cable from the generator. The balloon should start to deflate and the lamp will

turn off.

SHUTTING DOWN LAMP ONLY

1. Unzip the bottom of the balloon. See Figure 29.

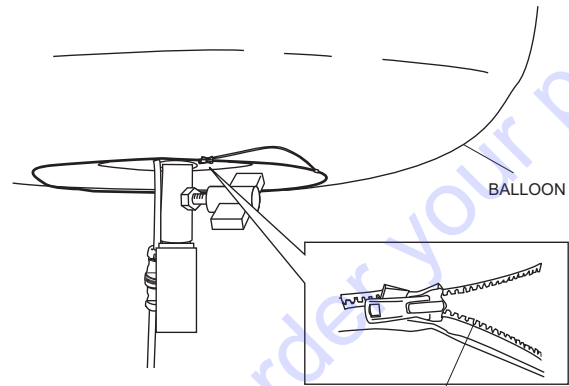


Figure 29. Unzipping Balloon

2. Push the button above the LED with a blunt object for three seconds as shown in Figure 20. LED will turn red and the lamp will turn off. The balloon will remain deployed.

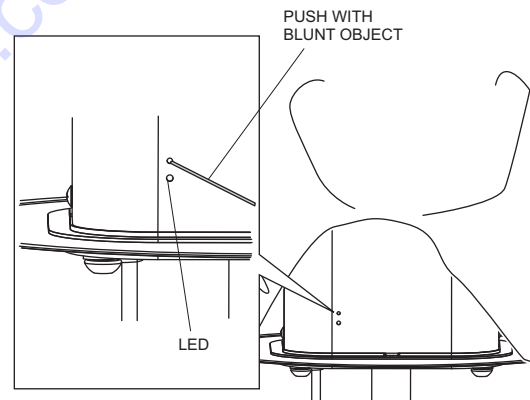


Figure 30. Turning Off Lamp Only

NOTICE

To turn lamp back on, unplug the power cable from the power source. Wait three to five minutes before reconnecting the power. Reconnect the power cable and the lamp should turn on and the balloon will inflate.

STORAGE (GBW/GBWE)

Before storing the GBW/GBWE Lighting System, perform the following steps.

NOTICE

Allow about 15 to 20 minutes for the lamp to cool down before storing the GBW/GBWE. The possibility exists of the balloon getting burned if it touches a hot lamp.

1. Disconnect the lamp connector from the AC power cable.
2. Unhook the AC power cable from the eyelet at the bottom of the balloon.
3. Make sure the mast is completely lowered as described in LOWERING THE MAST section.
4. Lock the buckle to secure the balloon together.
5. Unzip the zipper on the protective cover and pull down cover over the balloon/lamp assembly.
6. Place the AC power cable in the pocket inside the protective cover and attach velcro tabs.
7. Loosen the T-bolt on the balloon/lamp assembly and lift balloon/lamp assembly from the mast.
8. Lift mast while pulling up strap (Figure 31).

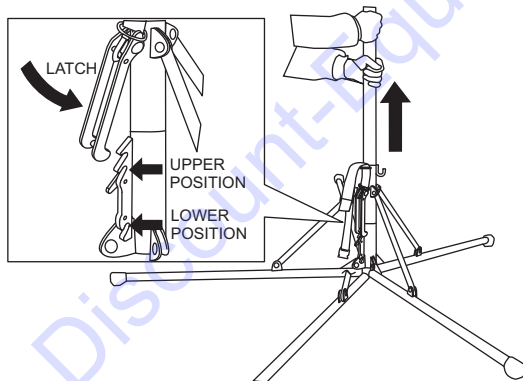


Figure 31. Unlocking the Latch

9. Continue pulling upward on the mast until all the pentapod legs are fully retracted and are stowed. See Figure 32.

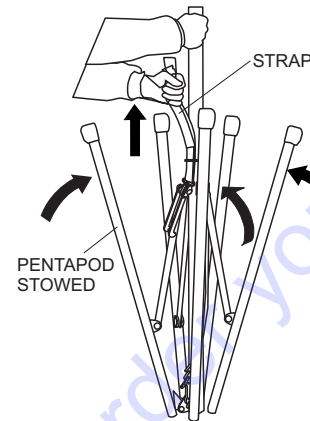


Figure 32. Stowing the Pentapod

10. Once pentapod legs are all in stow position, wrap strap around all five legs and secure by locking the buckle. See Figure 33.

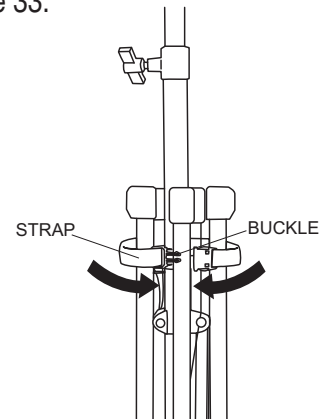


Figure 33. Locking Up Stowed Pentapod

11. Place the stowed pentapod inside the carrying case. See Figure 34.

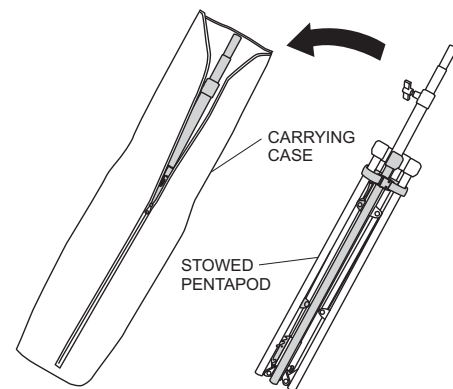


Figure 34. Storing in Carrying Case

PARTS FINDER

**Search Website
by Part Number**



**Search Manual
Library For Parts
Manual & Lookup Part
Numbers – Purchase
or Request Quote**

Search Manuals

Enter your information to help us find the right parts manual for your machine.

* Brand:

* Model:

* Serial:

* Part Number:

SEARCH

**Can't Find Part or
Manual? Request Help
by Manufacturer,
Model & Description**

Parts Order Form

Please fill in the following information to help us find the right part for your machine.

Manufacturer:	<input type="text"/>
Model:	<input type="text"/>
Description:	<input type="text"/>
Part Number:	<input type="text"/>
Quantity:	<input type="text"/>
Notes:	<input type="text"/>

Submit

Discount-Equipment.com is your online resource for quality parts & equipment.

Florida: **561-964-4949** Outside Florida TOLL FREE: **877-690-3101**

Need parts?

Click on this link: <http://www.discount-equipment.com/category/5443-parts/> and choose one of the options to help get the right parts and equipment you are looking for. Please have the machine model and serial number available in order to help us get you the correct parts. If you don't find the part on the website or on one of the online manuals, please fill out the request form and one of our experienced staff members will get back to you with a quote for the right part that your machine needs.

We sell worldwide for the brands: Genie, Terex, JLG, MultiQuip, Mikasa, Essick, Whiteman, Mayco, Toro Stone, Diamond Products, Generac Magnum, Airman, Haulotte, Barreto, Power Blanket, Nifty Lift, Atlas Copco, Chicago Pneumatic, Allmand, Miller Curber, Skyjack, Lull, Skytrak, Tsurumi, Husquvarna Target, Stow, Wacker, Sakai, Mi-T-M, Sullair, Basic, Dynapac, MBW, Weber, Bartell, Bennar Newman, Haulotte, Ditch Runner, Menegotti, Morrison, Contec, Buddy, Crown, Edco, Wyco, Bomag, Laymor, EZ Trench, Bil-Jax, F.S. Curtis, Gehl Pavers, Heli, Honda, ICS/PowerGrit, IHI, Partner, Imer, Clipper, MMD, Koshin, Rice, CH&E, General Equipment, Amida, Coleman, NAC, Gradall, Square Shooter, Kent, Stanley, Tamco, Toku, Hatz, Kohler, Robin, Wisconsin, Northrock, Oztec, Toker TK, Rol-Air, APT, Wylie, Ingersoll Rand / Doosan, Innovatech, Con X, Ammann, Mecalac, Makinex, Smith Surface Prep, Small Line, Wanco, Yanmar

REPLACING LAMP

⚠ DANGER

Never attempt to replace lamp in a wet place. The possibility exists of electric shock.

⚠ WARNING



Always allow sufficient time for the lamp to cool down before replacing. The possibility exists of severe burns if hot lamp is touched.

⚠ CAUTION

Always shutdown power source and remove balloon assembly from mast when replacing a broken lamp. Utmost care should be taken in handling broken lamp. The possibility exists of serious injury from handling a broken lamp.

1. Unzip the zipper at the bottom of the balloon and roll the balloon up to expose the lamp. See Figure 35.

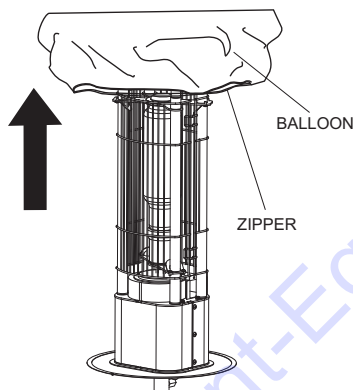


Figure 35. Exposing Balloon

2. Release the lamp guard locking tabs. See Figure 36.

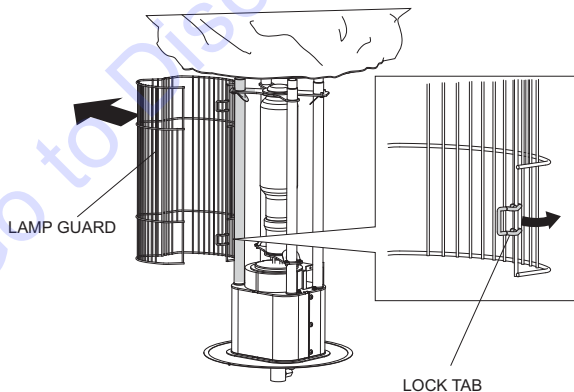


Figure 36. Removing Lamp Guard

3. Remove the lamp guard.
4. Press the tabs on the lamp holder and push up lamp holder to release it from lamp. See Figure 37.

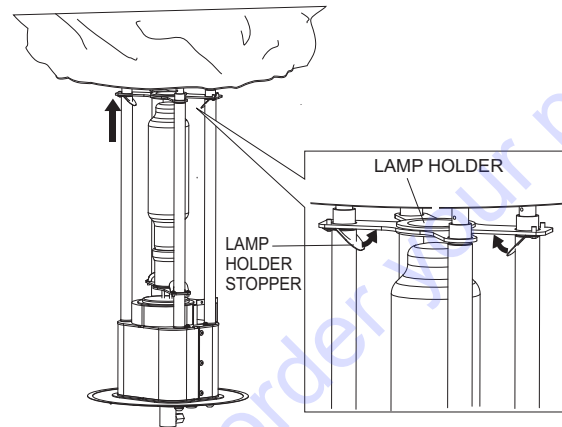


Figure 37. Lamp Holder

5. Remove the lamp from the lamp socket by turning lamp counterclockwise. See Figure 38.

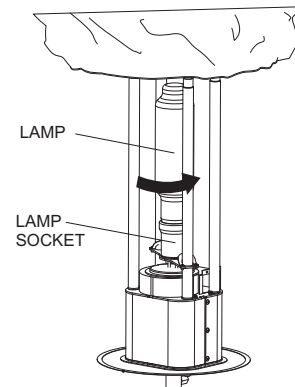


Figure 38. Removing Lamp

6. Install new lamp into socket and turn lamp in a clockwise direction until tight. See Figure 39.

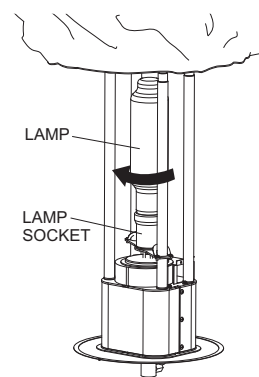


Figure 39. Installing New Lamp

NOTICE

Do not use excessive force when screwing the lamp to prevent lamp from breaking.

7. Secure lamp holder on top of the lamp.
8. Reinstall lamp guard.
9. Pull down balloon and zip the bottom zipper to cover lamp.

REPLACING BALLOON

1. Unzip the top and bottom of the balloon. See Figure 40.

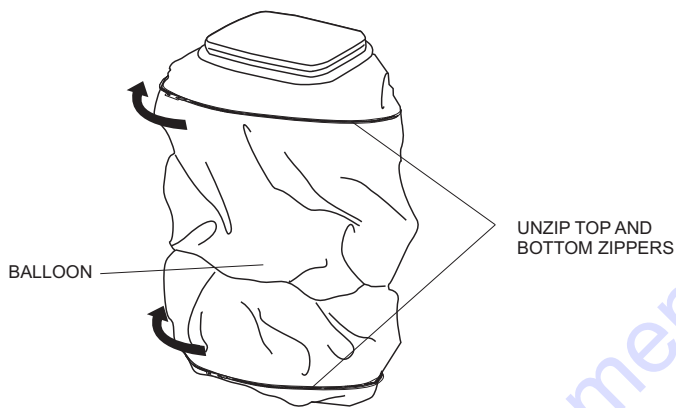


Figure 40. Unzipping Balloon

2. Slide out the old or worn balloon over the top of the lamp guard assembly. See Figure 41.



Figure 41. Removing Old Balloon

3. Slide in the new replacement balloon over the top of the lamp guard assembly. See Figure 42.



Figure 42. Replacing Balloon

4. Zip up the top and bottom of the new balloon. See Figure 43.

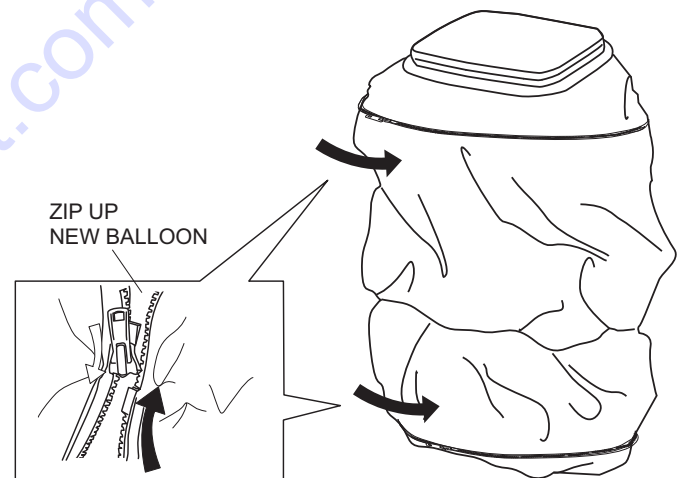


Figure 43. Zipping Up New Balloon

FILTER REPLACEMENT

1. Remove the balloon as described in the STORAGE section.
2. Turn the balloon/lamp assembly upside down to access the filter. See Figure 44.

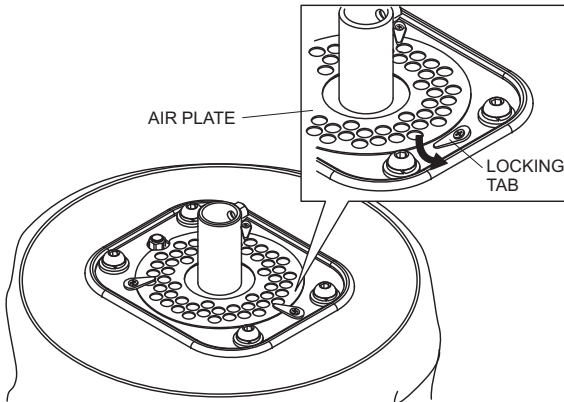


Figure 44. Accessing Filter

3. Turn the three locking tabs outwards to release the air plate. See Figure 44.
4. Remove the air plate and filter. See Figure 45.

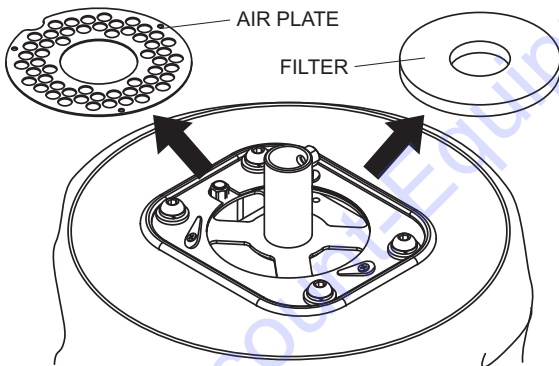


Figure 45. Filter Removal

5. Install a new filter and reinstall the air plate.
6. Turn the three locking tabs inwards to lock the air plate in place. See Figure 46.

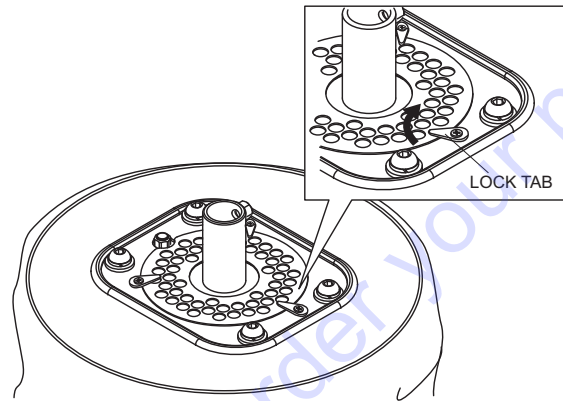


Figure 46. Locking Air Plate

Table 6. Troubleshooting

SYMPTOM	POSSIBLE PROBLEM	SOLUTION
Lamp does not light.	Is plug disconnected?	Plug in correctly.
	Is generator power switched off?	Turn on switch.
	Is lamp loose?	Screw lamp securely into socket.
	Is power connector disconnected or loose?	Connect disconnected connector.
	Are any other electric appliances (other than light tower) plugged into power source?	Unplug all other appliances.
	Is model of lamp incompatible?	Use genuine MQ lamp.
	Is lamp not cool enough to light again? (Interval of 5 to 10 minutes is required before turning on lamp again)	Wait for lamp to cool down.
Lamp only lights for a short time.	Is ambient temperature too high (more than 104° F (40° C)?	Move lamp where there is proper ventilation.
Balloon does not inflate.	Is fan motor (blower) not working properly?	Check and repair fan motor (blower).
	Is balloon envelope defective?	Repair or replace balloon envelope.

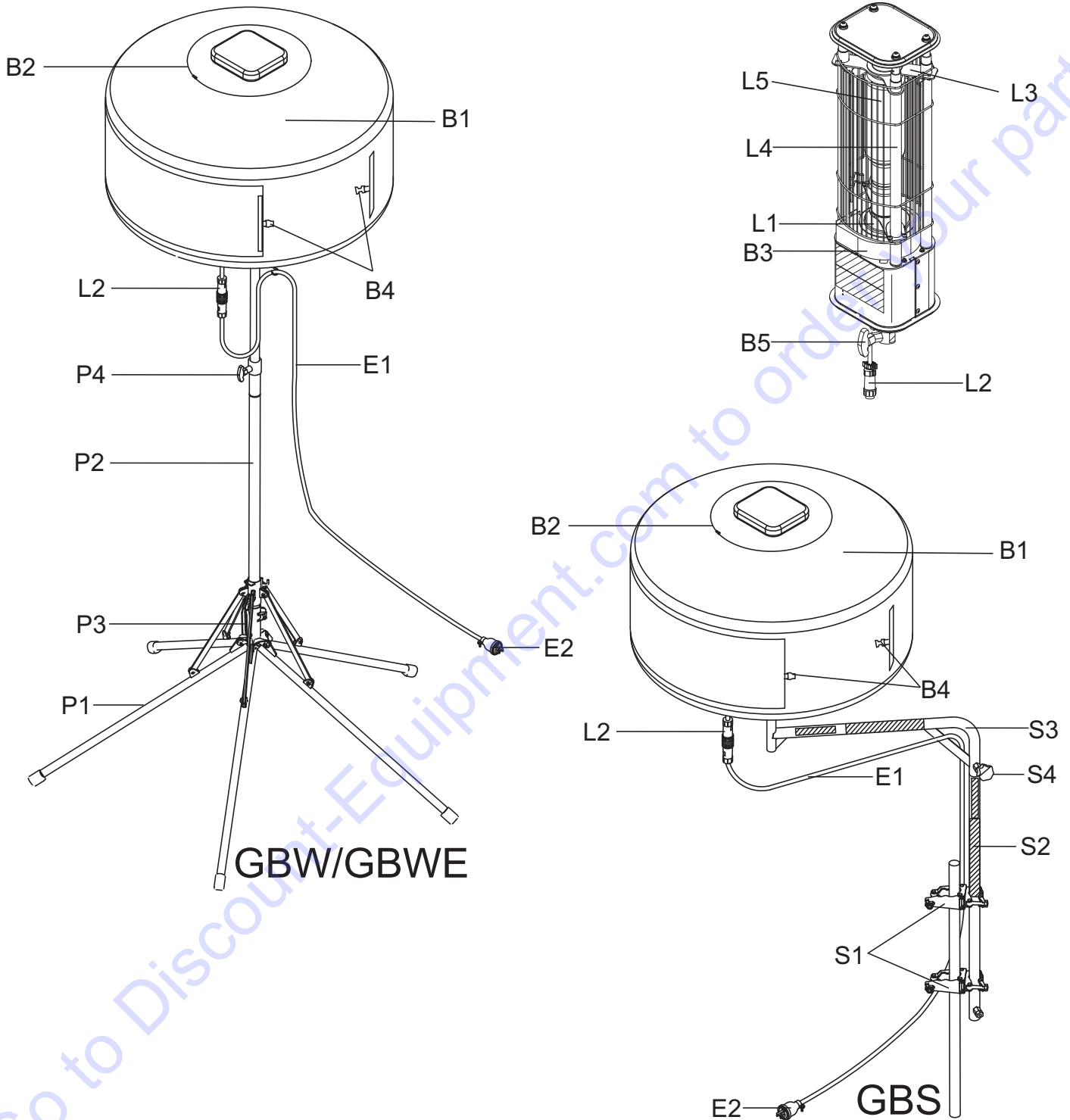


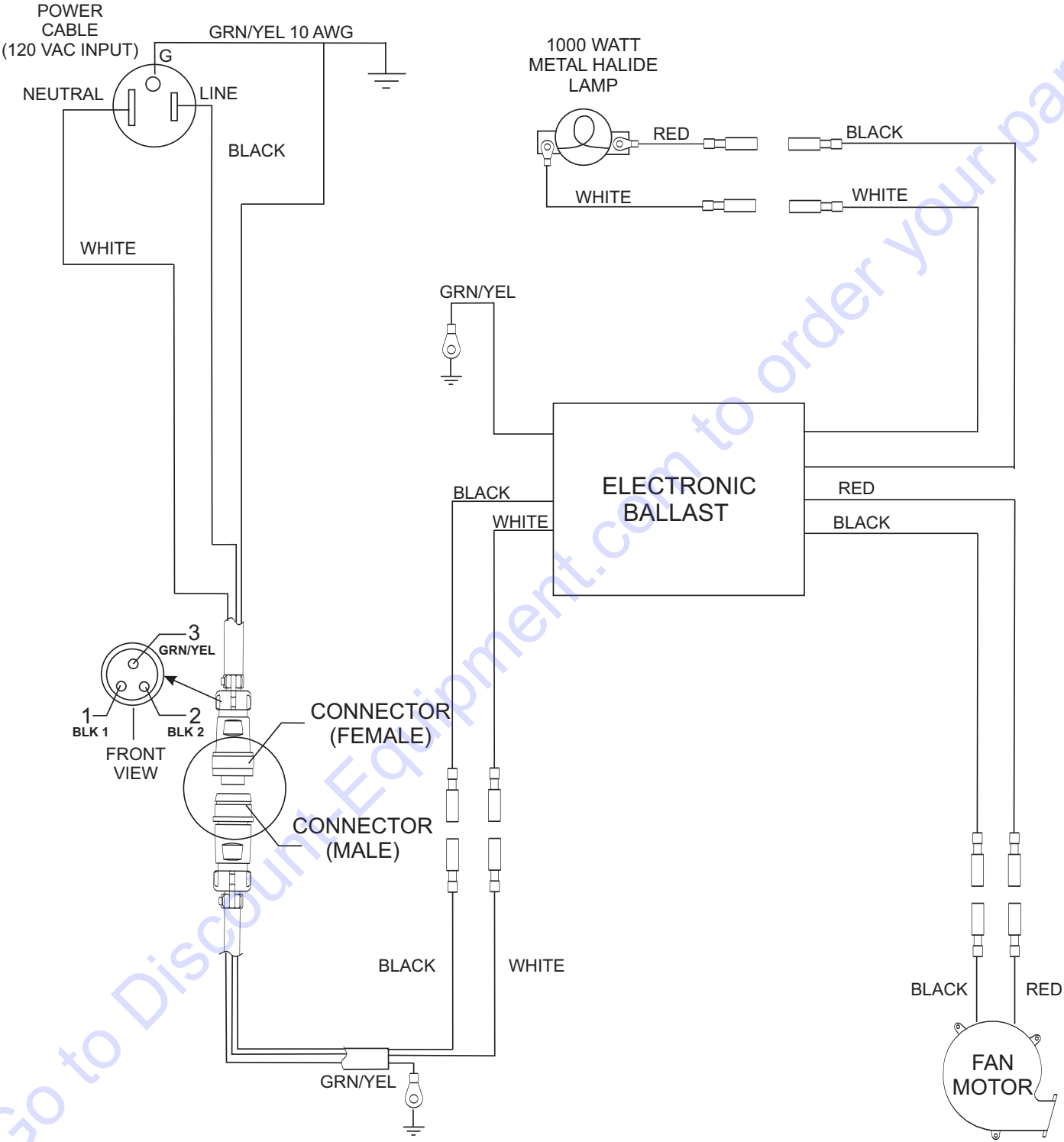
Figure 47. Maintenance Check Points

MAINTENANCE

Table 7. Periodic Check and Maintenance

FIGURE	PART	CHECK ITEM	SOLUTION				
Lamp	L1	Lamp (Base)	Lamp base loose?	Screw in securely.	•		
	L2	Connector	Cable disconnected or loose?	Connect securely.	•		
	L3	Lamp Holder	Lamp holder loose?	Replace.	#		
	L4	Pipe Frame	Pipe Frame skewed	Replace.	&		
	L5	Lamp	Defective lamp?	Replace.	•		
Balloon	B1	Balloon (Envelope)	Defective or dirty?	Replace.	•		
	B2	Zipper	Broken?	Replace.	•		
	B3	Fan Motor (Blower)	Not working properly?	Repair or replace.	\$		
	B4	Buckle	Broken?	Replace.	\$		
	B5	T-handle bolt (balloon)	Broken?	Replace.	•		
Pentapod	P1	Pentapod	Damaged or Not Working Properly?	Replace.	#		
	P2	Mast	Damaged or Not Working Properly?	Replace.	#		
	P3	Latch	Damaged?	Replace.	•		
	P4	Stopper	Damaged?	Replace.	•		
Electric	E1	Power cable	Defective or worn cable?	Replace.	•		
	E2	Plug	Damaged?	Replace.	#		
Offset Pole	S1	Clamp	Damaged?	Replace.	•		
	S2	Straight Pole	Damaged or Skewed?	Replace.	\$		
	S3	Offset Pole	Damaged or Skewed?	Replace.	\$		
	S4	Knob	Loose?	Tighten Securely.	•		
• — Check daily		# — Every 20 hours		\$ — Every 100 hours		& — Every 500 hours	

WIRING DIAGRAM



EXPLANATION OF CODE IN REMARKS COLUMN

The following section explains the different symbols and remarks used in the Parts section of this manual. Use the help numbers found on the back page of the manual if there are any questions.

NOTICE

The contents and part numbers listed in the parts section are subject to change **without notice**. Multiquip does not guarantee the availability of the parts listed.

SAMPLE PARTS LIST

NO.	PART NO.	PART NAME	QTY.	REMARKS
1	12345	BOLT	1	INCLUDES ITEMS W/%
2%		WASHER, 1/4 IN.		NOT SOLD SEPARATELY
2%	12347	WASHER, 3/8 IN. ...1		MQ-45T ONLY
3	12348	HOSE	A/R	MAKE LOCALLY
4	12349	BEARING	1	S/N 2345B AND ABOVE

NO. Column

Unique Symbols — All items with same unique symbol

(@, #, +, %, or >) in the number column belong to the same assembly or kit, which is indicated by a note in the “Remarks” column.

Duplicate Item Numbers — Duplicate numbers indicate multiple part numbers, which are in effect for the same general item, such as different size saw blade guards in use or a part that has been updated on newer versions of the same machine.

NOTICE

When ordering a part that has more than one item number listed, check the remarks column for help in determining the proper part to order.

PART NO. Column

Numbers Used — Part numbers can be indicated by a number, a blank entry, or TBD.

TBD (To Be Determined) is generally used to show a part that has not been assigned a formal part number at the time of publication.

A blank entry generally indicates that the item is not sold separately or is not sold by Multiquip. Other entries will be clarified in the “Remarks” Column.

QTY. Column

Numbers Used — Item quantity can be indicated by a number, a blank entry, or A/R.

A/R (As Required) is generally used for hoses or other parts that are sold in bulk and cut to length.

A blank entry generally indicates that the item is not sold separately. Other entries will be clarified in the “Remarks” Column.

REMARKS Column

Some of the most common notes found in the “Remarks” Column are listed below. Other additional notes needed to describe the item can also be shown.

Assembly/Kit — All items on the parts list with the same unique symbol will be included when this item is purchased.

Indicated by:

“INCLUDES ITEMS W/(unique symbol)”

Serial Number Break — Used to list an effective serial number range where a particular part is used.

Indicated by:

“S/N XXXXX AND BELOW”

“S/N XXXX AND ABOVE”

“S/N XXXX TO S/N XXX”

Specific Model Number Use — Indicates that the part is used only with the specific model number or model number variant listed. It can also be used to show a part is NOT used on a specific model or model number variant.

Indicated by:

“XXXXX ONLY”

“NOT USED ON XXXX”

“Make/Obtain Locally” — Indicates that the part can be purchased at any hardware shop or made out of available items. Examples include battery cables, shims, and certain washers and nuts.

“Not Sold Separately” — Indicates that an item cannot be purchased as a separate item and is either part of an assembly/kit that can be purchased, or is not available for sale through Multiquip.

SUGGESTED SPARE PARTS

GBW/GBWE/GBS/GBP LIGHTING SYSTEM

1 to 3 units

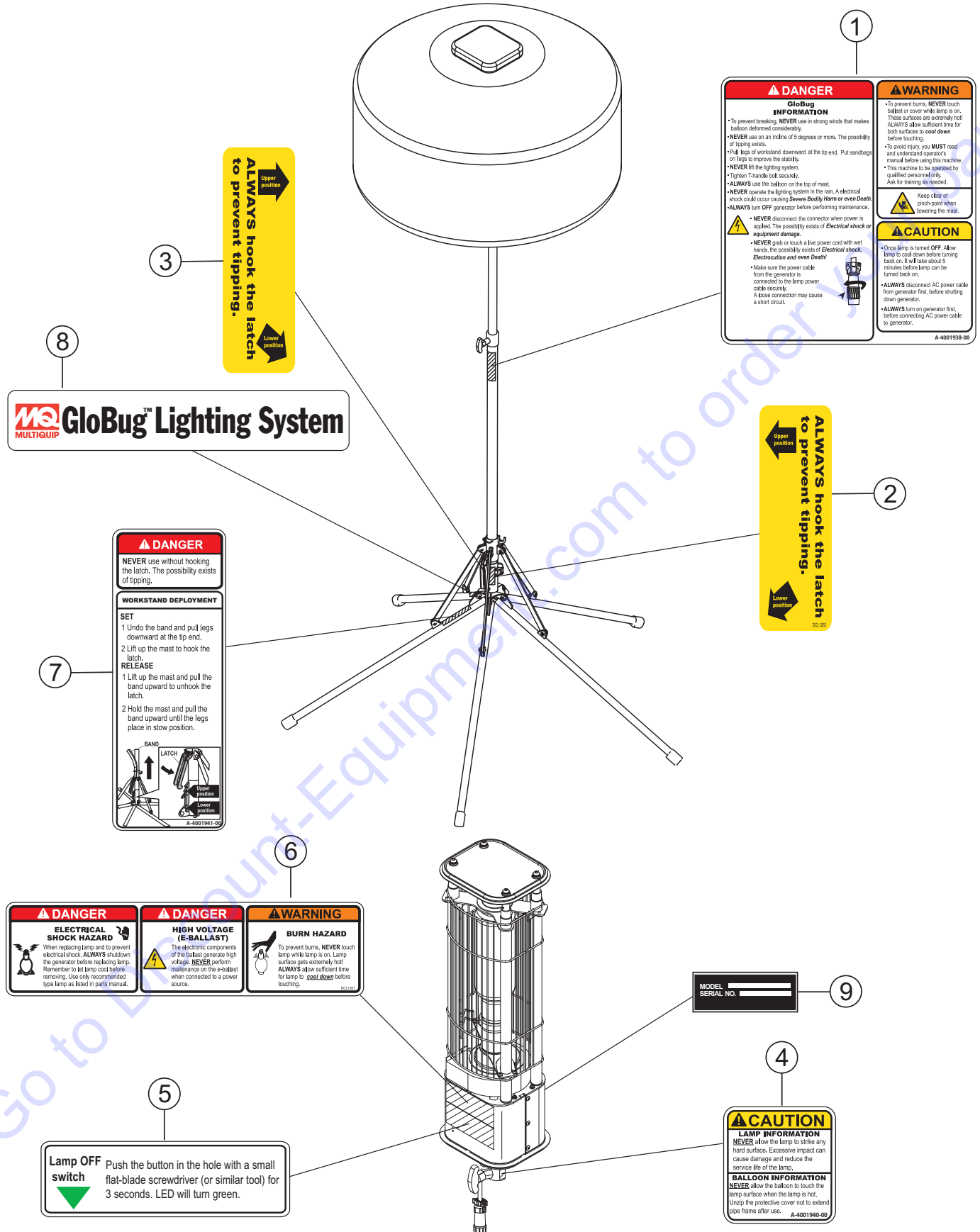
Qty.	P/N	Description
2.....	E000077600	LAMP
2.....	A300168900	E BALLAST ASSY
2.....	A100057000	BALLOON CLOTH CP
3.....	A300155100	FILTER
1.....	1654000230.....	BALLOON PATCH KIT

NOTICE

Part numbers on this Suggested Spare Parts list may supersede/replace the part numbers shown in the following parts lists.

Go to Discount-Equipment.com to order your parts

NAMEPLATES AND DECALS (GBW/GBWE)



1

⚠ DANGER

GloBug INFORMATION

- To prevent breaking, NEVER use in strong winds that makes balloon deformed considerably.
- NEVER use on an incline of 5 degrees or more. The possibility of tipping exists.
- Put legs of workstand downward at the tip end. Put sandbags on legs to improve the stability.
- NEVER lift the lighting system.
- Tighten T-handle bolt securely.
- ALWAYS use the balloon on the top of mast.
- NEVER operate the lighting system in the rain. A electrical shock could occur causing **Severe Bodily Harm or even Death**.
- ALWAYS turn OFF generator before performing maintenance.

⚠ WARNING

- To prevent burns, NEVER touch ballast or cover while lamp is on. These surfaces are extremely hot ALWAYS allow sufficient time for both surfaces to **cool down** before touching.
- To avoid injury, you **MUST** read and understand operator's manual before using this machine.
- This machine to be operated by qualified personnel only. Ask for training as needed.

⚠ CAUTION

- Keep clear of pins-pipe when powering the mast.
- Once lamp is turned OFF. Allow lamp to cool down before turning back on. It will take about 5 minutes before lamp can be turned back on.
- ALWAYS disconnect AC power cable from generator first, before shutting down generator.
- ALWAYS turn on generator first, before connecting AC power cable to generator.

A-4001938-00

2

ALWAYS hook the latch to prevent tipping.

Upper position

Lower position

101.102

7

⚠ DANGER

NEVER use without hooking the latch. The possibility exists of tipping.

WORKSTAND DEPLOYMENT

SET

- Undo the band and pull legs downward at the tip end.
- Lift up the mast to hook the latch.

RELEASE

- Lift up the mast and pull the band upward to unhook the latch.
- Hold the mast and pull the band upward until the legs place in stow position.

BAND LATCH

Upper position
Lower position

A-4001941-00

6

<p>⚠ DANGER</p> <p>ELECTRICAL SHOCK HAZARD</p> <p>When replacing lamp and to prevent electrical shock, ALWAYS shutdown the generator before replacing lamp. Remember to let lamp cool before removing. Use only recommended type lamp as listed in parts manual.</p>	<p>⚠ DANGER</p> <p>HIGH VOLTAGE (E-BALLAST)</p> <p>The electronic components of the ballast generate high voltage. NEVER perform maintenance on the e-ballast when connected to a power source.</p>	<p>⚠ WARNING</p> <p>BURN HAZARD</p> <p>To prevent burns, NEVER touch lamp while lamp is on. Lamp surface gets extremely hot. ALWAYS allow sufficient time for lamp to cool down before touching.</p> <p>101.102</p>
--	---	--

9

MODEL SERIAL NO.

5

Lamp OFF switch

Push the button in the hole with a small flat-blade screwdriver (or similar tool) for 3 seconds. LED will turn green.

4

⚠ CAUTION

LAMP INFORMATION

NEVER allow the lamp to strike any hard surface. Excessive impact can cause damage and reduce the service life of the lamp.

BALLOON INFORMATION

NEVER allow the balloon to touch the lamp surface when the lamp is hot. Unzip the protective cover not to extend case frame after use.

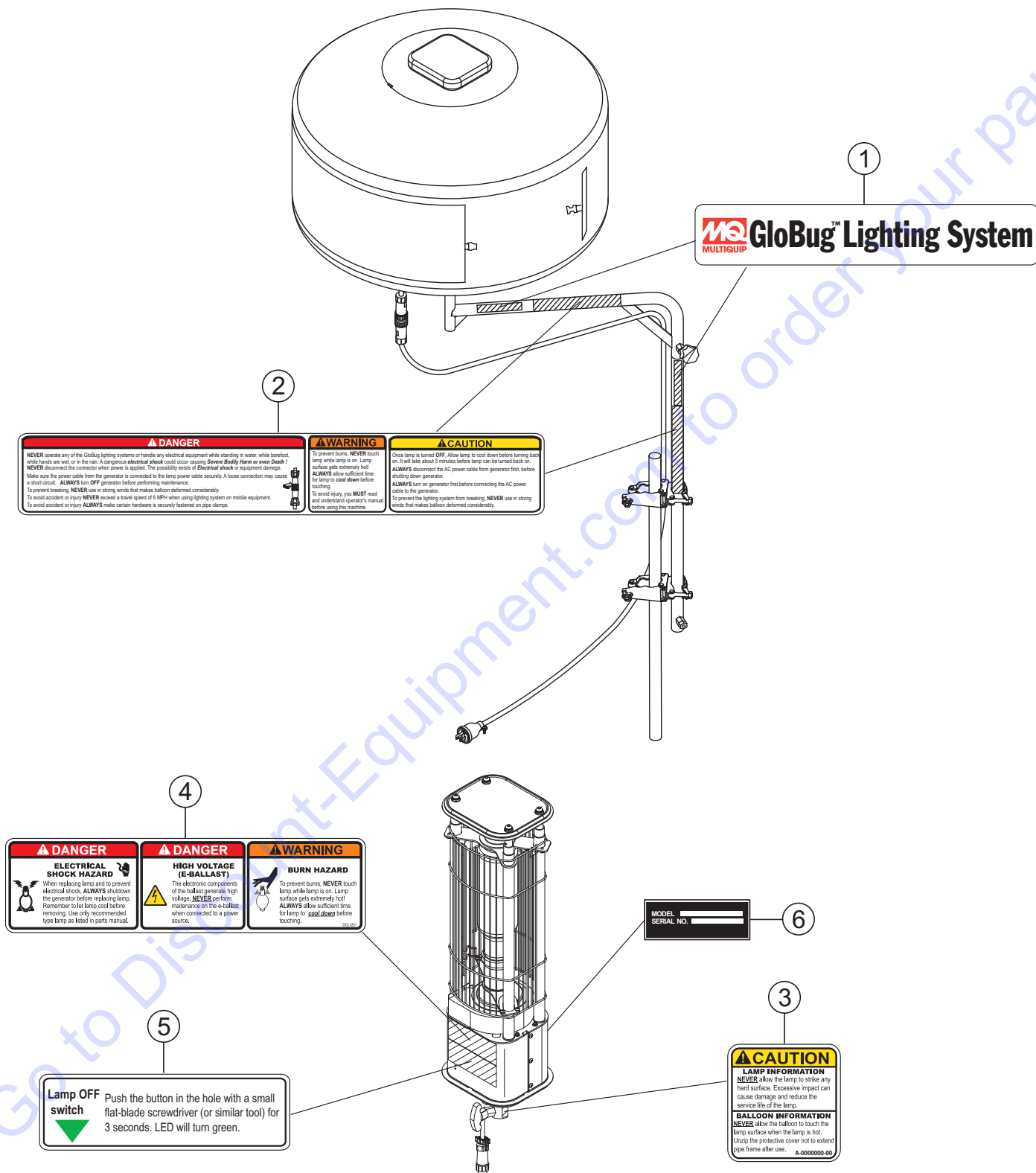
A-4001940-00

NAMEPLATES AND DECALS (GBW/GBWE)

<u>NO.</u>	<u>PART NO.</u>	<u>PART NAME</u>	<u>QTY.</u>	<u>REMARKS</u>
1	A400193800	DECAL; GLOBUG INFORMATION	1	
2	DCL1262	DECAL; LATCH (RIGHT)	1	
3	A400194300	DECAL; LATCH (LEFT)	1	
4	A400194000	DECAL; CAUTION, LAMP INFORMATION	1	
5	A400193900	DECAL; LAMP OFF SWITCH	1	
6	A400166800	DECAL; ELECTRIC SHOCK, HIGH VOLTAGE, BURN HAZ....	1DCL1261
7	A400194100	DECAL; DANGER, WORKSTAND DEPLOYMENT	1	
8	A400193300	DECAL; GLOBUG LIGHTING SYSTEM	1	
9		NAMEPLATE.....	1CONTACT DISCOUNT-EQUIPMENT

Go to Discount-Equipment.com to order your parts

NAMEPLATES AND DECALS (GBS)

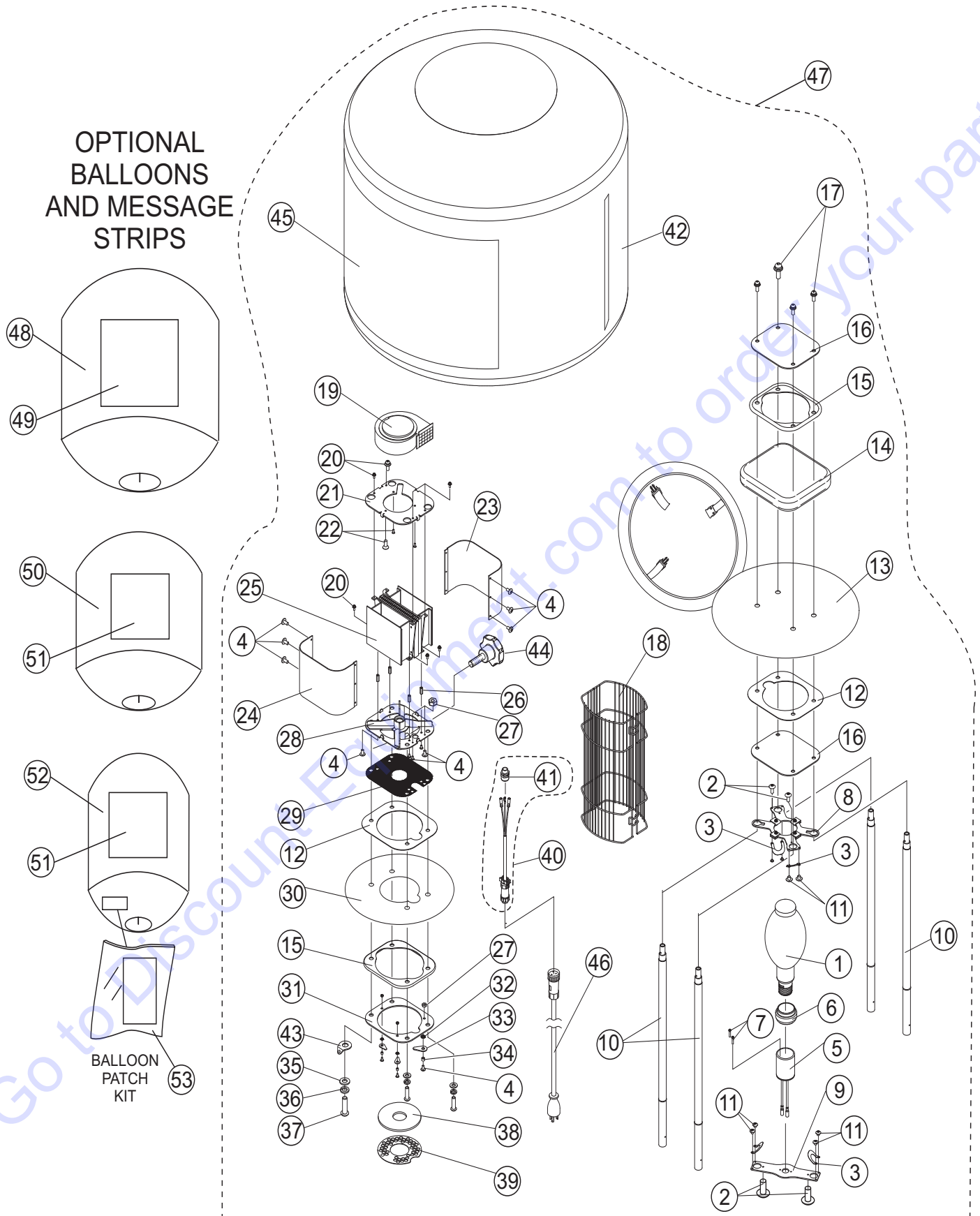


NAMEPLATES AND DECALS (GBS)

<u>NO.</u>	<u>PART NO.</u>	<u>PART NAME</u>	<u>QTY.</u>	<u>REMARKS</u>
1	A400193300	DECAL; GLOBUG LIGHTING SYSTEM	1	
2	A400194200	DECAL; GLOBUG INFORMATION (GBS)	1	
3	A400194000	DECAL; CAUTION, LAMP INFORMATION	1	
4	A400166800	DECAL; ELECTRIC SHOCK, HIGH VOLTAGE, BURN HAZ....	1DCL1261
5	A400193900	DECAL; LAMP OFF SWITCH	1	
6		NAMEPLATE.....	1CONTACT DISCOUNT-EQUIPMENT

Go to Discount-Equipment.com to order your parts

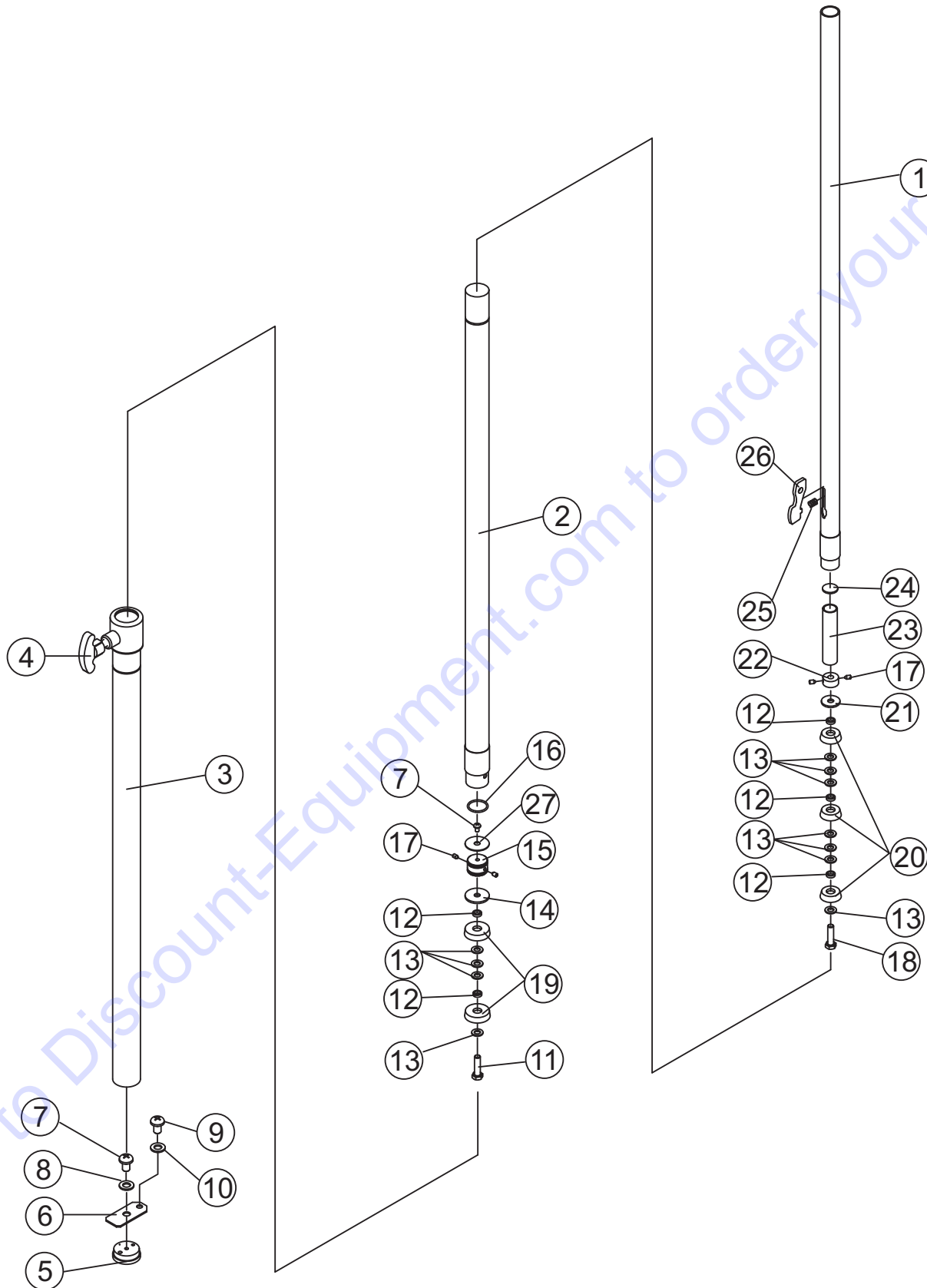
BALLOON AND LAMP ASSY (GBW/GBWE AND GBS)



BALLOON AND LAMP ASSY (GBW/GBWE AND GBS)

NO.	PART NO.	PART NAME	QTY.	REMARKS
1#	E000080700	LAMP MH1000/BT37/C/U/4200K	1	
2#	0023405012	SCREW (M5x12)	4	
3#	A400195200	STOPPER	4	
4#	0024304008	SCREW (M4x8)	15	
5#	A300167500	SOCKET ASSY	1	
6#	E000038200	RUBBER	1	
7#	0025304025	SCREW & WASHER (M4x25)	2	
8#	A300174000	LAMP HOLDER	1	
9#	A300160601	PLATE (LAMP)	1	
10#	A200057701	MAIN POLE (EX) CP	4	
11#	0024304004	SCREW (M4x4)	8	
12#	2214500230	SEAL (FLAT)	2	
13#	A100061200	SHEET (TOP) CP	1	
14#	A100056900	BALLOON COVER CP	1	
15#	A300162400	SEAL (PACKING)	2	
16#	A300165100	PLATE (TOP)	1	
17#	0014808025	BUTTON SCREW & WASHER (M8x25)	4	
18#	A100055800	LAMP GUARD CP	1	
19#	A300168800	FAN MOTOR ASSY	1	
20#	0023304012	SCREW & WASHER (M4x12)	8	
21#	A300164900	PLATE (FAN)	1	
22#	0023204006	SCREW (M4x6)	3	
23#	A300160002	COVER 1	1	
24#	A300160100	COVER 2	1	
25#	A300168900	E BALLAST ASSY	1	
26#	E000070000	SUPPORT NUT	4	
27#	0033104000	NUT (M4)	5	
28#	A200057601	FLANGE	1	
29#	A300165000	PLATE (GUARD)	1	
30#	A100061000	SHEET (BOTTOM)	1	
31#	A300145801	BOTTOM PLATE	1	
32#	E000009701	WAVE WASHER (M5)	3	
33#	A400030700	STOPPER (FILTER)	3	
34#	E000077500	SPACER	3	
35#	0043110000	WASHER (M10)	4	
36#	0043210000	SPRING WASHER (M10)	4	
37#	0014710035	BUTTON SCREW (M10x35)	4	
38#	2214500430	FILTER	1	
39#	A300145901	PLATE (AIR)	1	
40#	A300167600	MAIN CABLE CP	1	INCLUDES ITEM W/ \$
41\$#	E000072600	METAL GLAND	1	
42#	GBB115DR	BALLOON CLOTH CP	1	CONTACT DISCOUNT-EQUIPMENT
43#	2204510110	WASHER	1	
44#	E000079800	KNOB	1	
45#	GBBALD1	BLANK MESSAGE STRIP (OPTIONAL)	1	CONTACT DISCOUNT-EQUIPMENT
46#	A300135500	AC POWER CABLE	1	
47	GBP	BALLOON/LAMP ASSY	1	INCLUDES ITEMS W/ #
48	GB48	BALLOON CLOTH (OPTIONAL)	1	CONTACT DISCOUNT-EQUIPMENT
49	GB48BMS	BLANK MESSAGE STRIP, 48"X48" (OPTIONAL)	1	CONTACT DISCOUNT-EQUIPMENT
50	GB36	BALLOON CLOTH (OPTIONAL)	1	CONTACT DISCOUNT-EQUIPMENT
51	GB36BMS	BLANK MESSAGE STRIP, 36" X 36" (OPTIONAL)	1	CONTACT DISCOUNT-EQUIPMENT
52	GB36N	BALLOON CLOTH (OPTIONAL)	1	CONTACT DISCOUNT-EQUIPMENT
53	1654000230	BALLOON PATCH KIT (OPTIONAL)	1	CONTACT DISCOUNT-EQUIPMENT

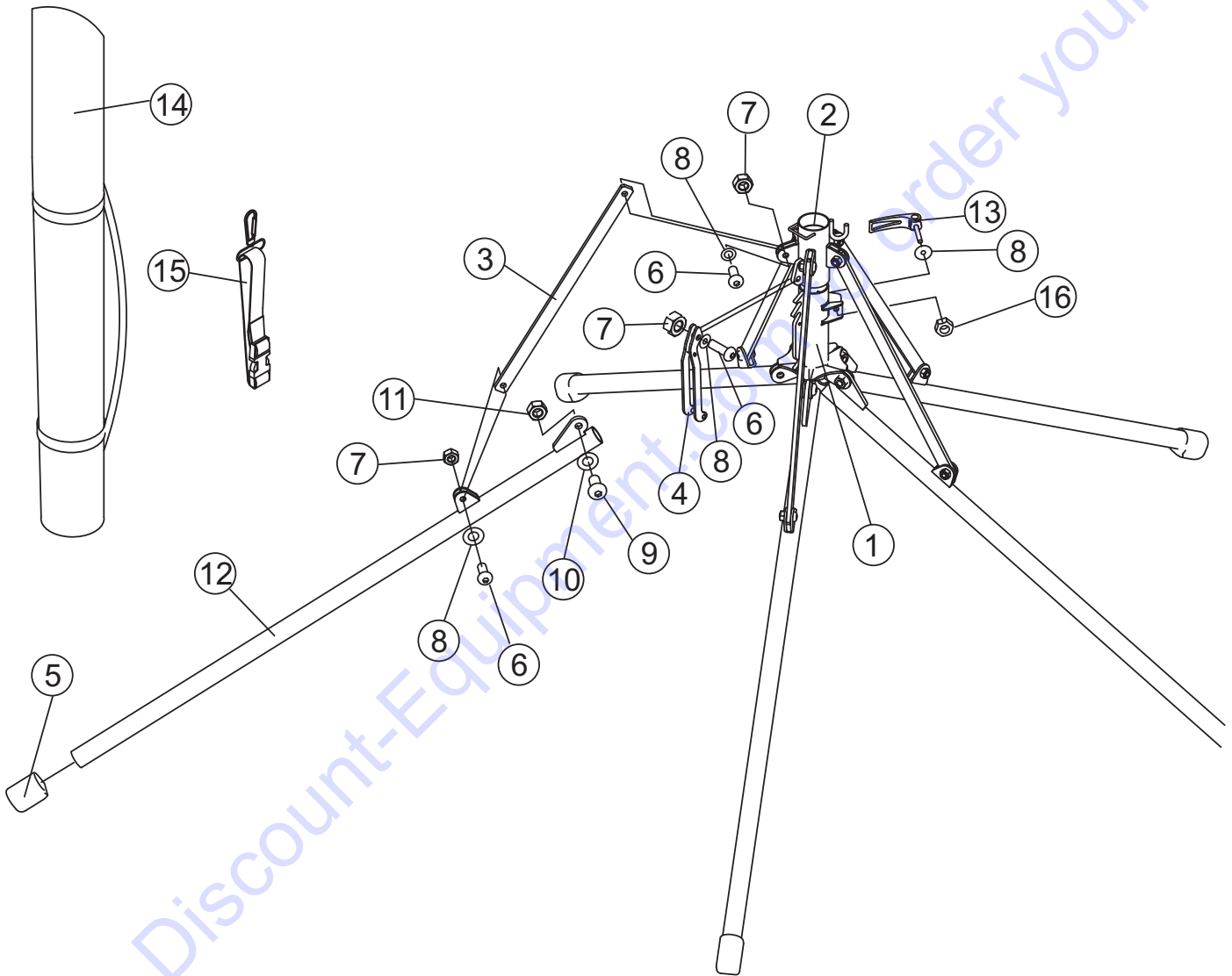
MAST ASSY (GBW/GBWE)



MAST ASSY (GBW/GBWE)

<u>NO.</u>	<u>PART NO.</u>	<u>PART NAME</u>	<u>QTY.</u>	<u>REMARKS</u>
1	A300169400	THIRD MAST	1	
2	A300169300	SECOND MAST	1	
3	A300169200	FIRST MAST	1	
4	A400187600	KNOB	2	
5	A000017000	PLUG	1	
6	A400112700	LEAF VALVE	1	
7	0023105008	SCREW (M5x8)	2	
8	0043105000	WASHER (M5)	1	
9	0023104008	SCREW (M4x8)	1	
10	0043104000	WASHER (M4)	1	
11	0013108030	BOLT (M8x30)	1	
12	A400110200	WASHER (MAST)	5	
13	0043108000	WASHER (M8)	11	
14	A400092801	WASHER (SECOND MAST)	1	
15	A400188101	BOTTOM PLATE (SECOND MAST)	1	
16	E000074700	O-RING	1	
17	0024705008	SET SCREW (M5x8)	4	
18	0013108040	BOLT (M8x40)	1	
19	A400109600	RUBBER (SECOND MAST)	2	
20	A400180901	RUBBER (THIRD MAST)	3	
21	A400181000	WASHER (THIRD MAST)	1	
22	A400181101	BOTTOM PLATE (THIRD MAST)	1	
23	A400193000	PIPE (LEVER)	1	
24	A400192900	WASHER	1	
25	A400190400	SPRING (HOOK)	1	
26	A400192800	LEVER (LOCK)	1	
27	A400195100	WASHER	1	

PENTAPOD ASSY (GBW/GBWE)

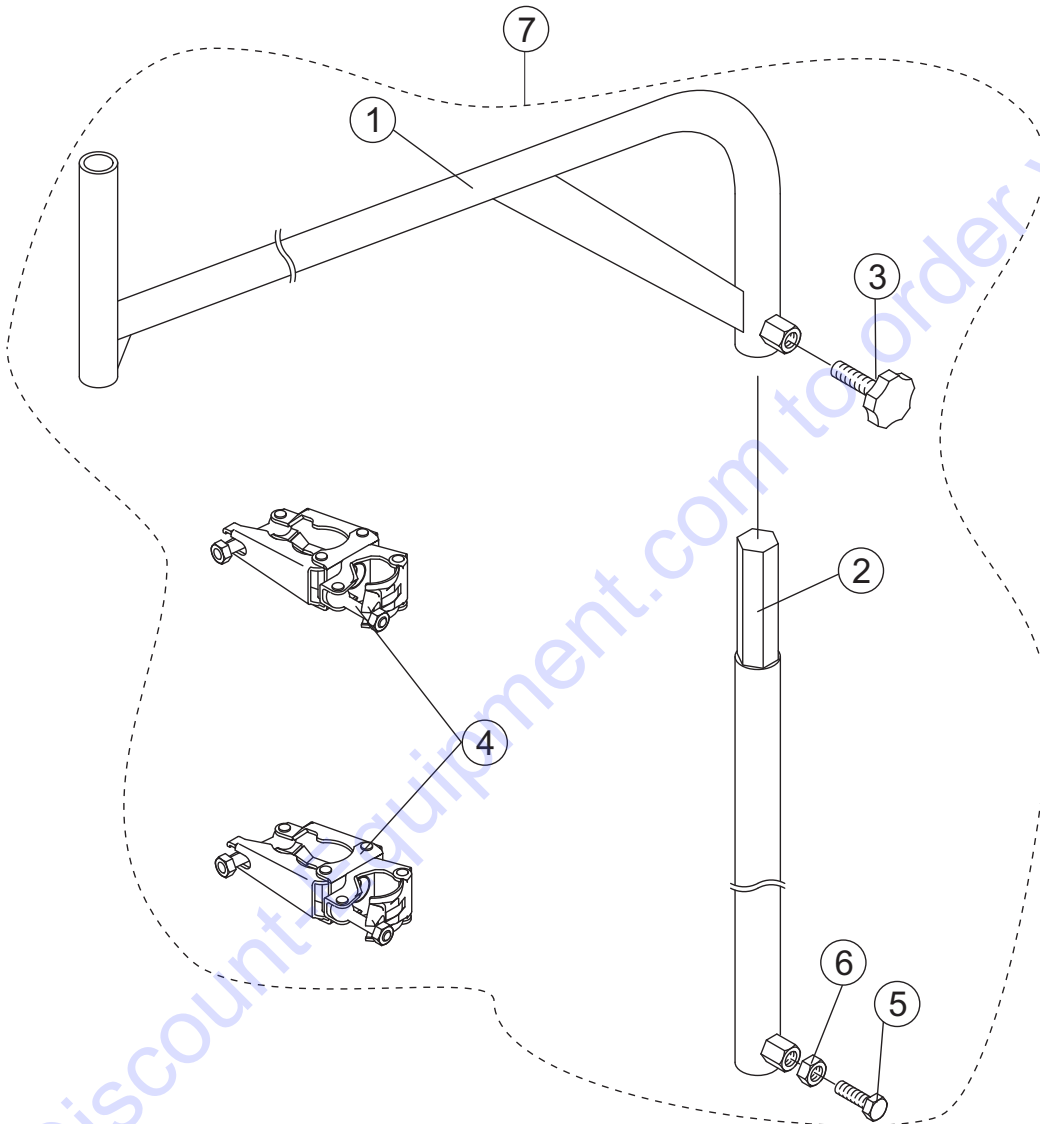


PENTAPOD ASSY (GBW/GBWE)

<u>NO.</u>	<u>PART NO.</u>	<u>PART NAME</u>	<u>QTY.</u>	<u>REMARKS</u>
1	A200041502	BASE PIPE 1	1	
2	A300166700	BASE PIPE 2 ASSY	1	
3	A300113102	SUPPORT	5	
4	A300108700	SHACKLE	1	
5	1641000330	RUBBER FOOT	5	
6	0014708025	BUTTON SCREW (M8x25)	11	
7	0033208000	SELF LOCK NUT (M8)	11	
8	0043108000	WASHER (M8)	12	
9	0014710025	BUTTON SCREW (M10x25)	5	
10	0043110000	WASHER (M10)	5	
11	0033210000	SELF LOCK NUT (M10)	5	
12	A300152402	FOOT CP	5	
13	2212780310	LEVER	1	
14	A300152700	CARRYING CASE	1	
15	A300106500	STRAP	1	
16	0033206000	SELF LOCK NUT (M6)	1	

Go to Discount-Equipment.com to order your parts

POLE ASSY (GBS)

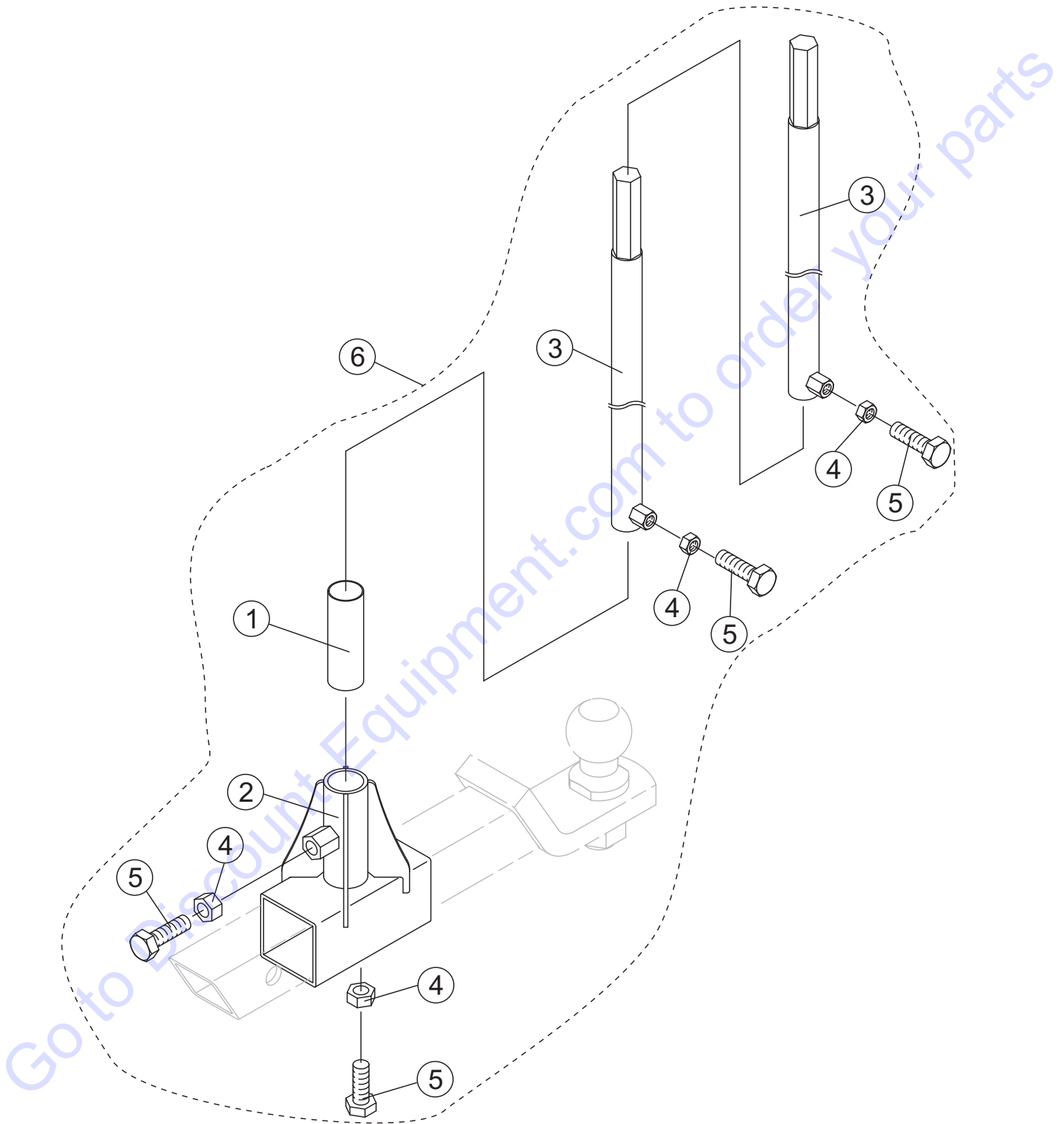


POLE ASSY (GBS)

<u>NO.</u>	<u>PART NO.</u>	<u>PART NAME</u>	<u>QTY.</u>	<u>REMARKS</u>
1#	A200056701	OFFSET POLE	1	
2#	A300166600	POLE	1	
3#	E000077100	KNOB	1	
4#	E000077200	CLAMP	2	
5#	0013112030	BOLT (M12x30)	1	
6#	0033112000	NUT (M12)	1	
7	A000028100	POLE MOUNT KIT.....	1.....	INCLUDES ITEMS W#
			CONTACT DISCOUNT-EQUIPMENT

Go to Discount-Equipment.com to order your parts

HITCH MOUNT ASSY (GBHM)



HITCH MOUNT ASSY (GBHM)

<u>NO.</u>	<u>PART NO.</u>	<u>PART NAME</u>	<u>QTY.</u>	<u>REMARKS</u>
1#	A300164601	SHAFT (JOINT)	1	
2#	A300164501	JOINT CP	1	
3#	A300166600	POLE	2	
4#	0033112000	NUT (M12)	4	
5#	0013112040	BOLT (M12x40)	4	
6	GBHM	HITCH MOUNT	1.....	INCLUDES ITEMS W#
			CONTACT DISCOUNT-EQUIPMENT

Go to Discount-Equipment.com to order your parts

PLATE MOUNT ASSY (GBMP)

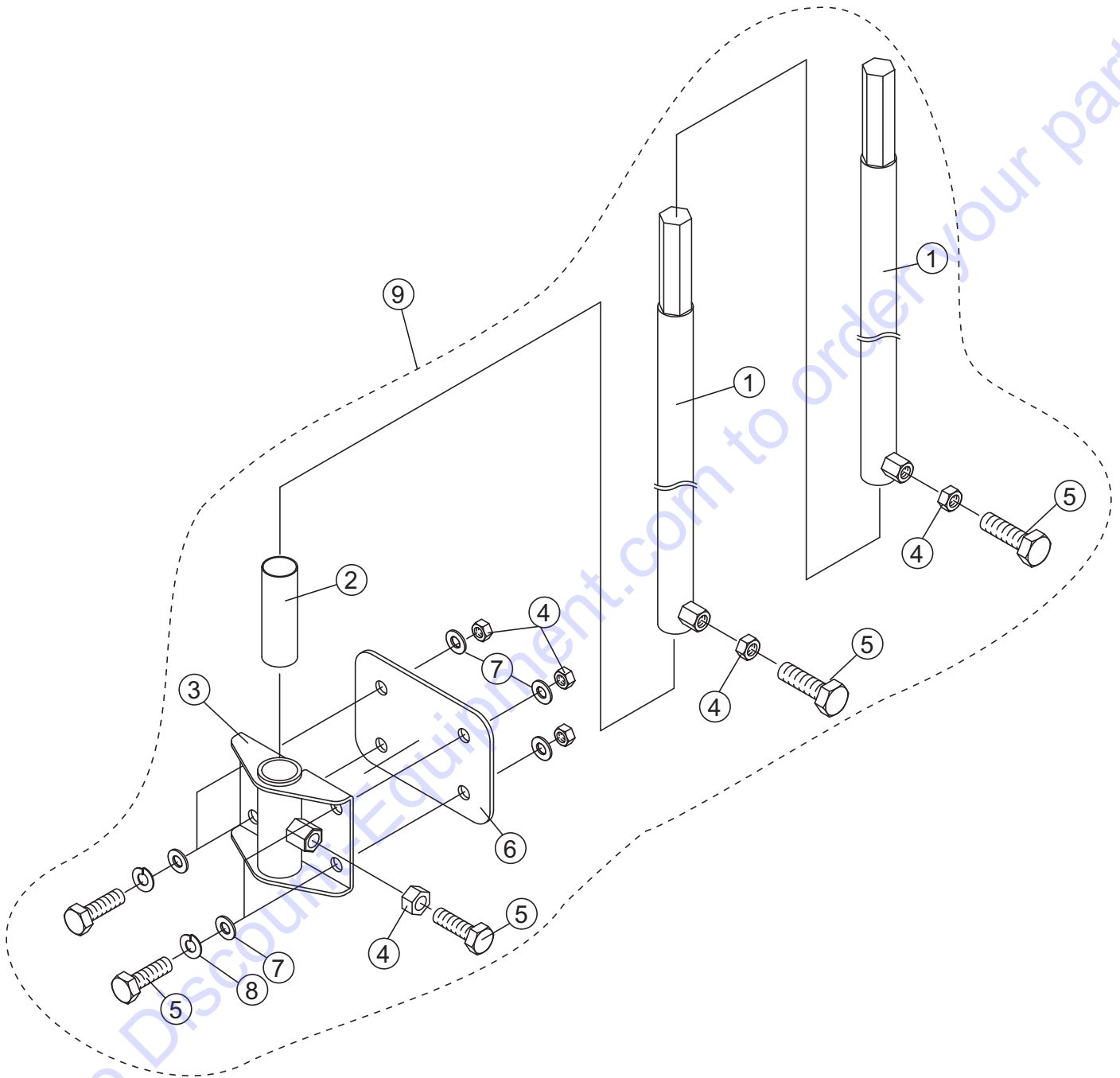


PLATE MOUNT ASSY (GBMP)

<u>NO.</u>	<u>PART NO.</u>	<u>PART NAME</u>	<u>QTY.</u>	<u>REMARKS</u>
1#	A300166600	POLE	2	
2#	A300164601	SHAFT (JOINT)	1	
3#	A300166000	ADAPTER CP	1	
4#	0033112000	NUT (M12)	3	
5#	0013112040	BOLT (M12x40)	7	
6#	A400192100	PLATE (ADAPTER)	1	
7#	0043112000	WASHER, FLAT M12	8	
8#	0043212000	WASHER, LOCK	4	
9	GBMP	MOUNTING PLATE	1.....	INCLUDES ITEMS W#
			CONTACT DISCOUNT-EQUIPMENT

Go to Discount-Equipment.com to order your parts

PARTS FINDER

**Search Website
by Part Number**



**Search Manual
Library For Parts
Manual & Lookup Part
Numbers – Purchase
or Request Quote**

Search Manuals

Enter your information to help us find the right parts manual for your machine.

* Brand:

* Model:

* Serial:

* Part Number:

SEARCH

**Can't Find Part or
Manual? Request Help
by Manufacturer,
Model & Description**

Parts Order Form

Please fill in the following information to help us find the right part for your machine.

Manufacturer:	<input type="text"/>
Model:	<input type="text"/>
Description:	<input type="text"/>
Part Number:	<input type="text"/>
Quantity:	<input type="text"/>
Notes:	<input type="text"/>

Submit

Discount-Equipment.com is your online resource for quality parts & equipment.

Florida: **561-964-4949** Outside Florida TOLL FREE: **877-690-3101**

Need parts?

Click on this link: <http://www.discount-equipment.com/category/5443-parts/> and choose one of the options to help get the right parts and equipment you are looking for. Please have the machine model and serial number available in order to help us get you the correct parts. If you don't find the part on the website or on one of the online manuals, please fill out the request form and one of our experienced staff members will get back to you with a quote for the right part that your machine needs.

We sell worldwide for the brands: Genie, Terex, JLG, MultiQuip, Mikasa, Essick, Whiteman, Mayco, Toro Stone, Diamond Products, Generac Magnum, Airman, Haulotte, Barreto, Power Blanket, Nifty Lift, Atlas Copco, Chicago Pneumatic, Allmand, Miller Curber, Skyjack, Lull, Skytrak, Tsurumi, Husquvarna Target, Stow, Wacker, Sakai, Mi-T-M, Sullair, Basic, Dynapac, MBW, Weber, Bartell, Bennar Newman, Haulotte, Ditch Runner, Menegotti, Morrison, Contec, Buddy, Crown, Edco, Wyco, Bomag, Laymor, EZ Trench, Bil-Jax, F.S. Curtis, Gehl Pavers, Heli, Honda, ICS/PowerGrit, IHI, Partner, Imer, Clipper, MMD, Koshin, Rice, CH&E, General Equipment, Amida, Coleman, NAC, Gradall, Square Shooter, Kent, Stanley, Tamco, Toku, Hatz, Kohler, Robin, Wisconsin, Northrock, Oztec, Toker TK, Rol-Air, APT, Wylie, Ingersoll Rand / Doosan, Innovatech, Con X, Ammann, Mecalac, Makinex, Smith Surface Prep, Small Line, Wanco, Yanmar