



**Count on it.**

**Parts Catalog**

**VIB-2.5BP Concrete Vibrator**

Model No. 68043—Serial No. 313000001 and Up



# Ordering Replacement Parts

To order replacement parts, please supply the part number, the quantity, and the description of each part desired.

## Understanding Reference Numbers

Each identified part in an illustration has a reference number. The reference number for a part also appears in the parts list, along with other information about the part.

This catalog uses two special reference number formats, one to indicate parts in a service assembly and another to indicate the quantity of a given part in an illustration.

## Service Assembly Reference Numbers

Parts in service assemblies have reference numbers in the form a:b. The a represents the reference number of the entire service assembly and the b represents a sequential number unique to each part within the service assembly.

For example, a wheel assembly might be identified by reference number 6, the tire by 6:1, the valve by 6:2, and the wheel by 6:3. When you order the assembly identified by reference number 6, you receive all parts identified by reference numbers 6:1, 6:2, and 6:3. However, you may also order any part individually. Reference numbers of this type appear in illustration and in parts lists.

## Reference Numbers Indicating Quantity

In an illustration, if a reference number indicates more than one part, the reference number has the form nX y. The n represents the quantity of the part, the X is the multiplication symbol, and the y represents the reference number.

For example, in an illustration, the reference number 2X 37 means that two of the parts identified by reference number 37 are indicated.

# List of Abbreviations

**AR:** as required

**ASM:** assembly

**BBC:** blade brake control

**BHTF:** button head thread forming

**CARR:** carriage

**CCW:** counter clockwise

**CW:** clockwise

**DEG:** degrees

**DPA:** Dual Point Adjustment

**ECM:** electronic control module

**EXT:** external

**FH:** flat head

**GA:** gauge

**HD:** heavy-duty

**HF:** hex flange

**HH:** hex head

**HHF:** hex head flange

**HHFTF:** hex head flange thread forming

**HJ:** hex jam

**HLH:** hex lag head

**HOC:** height-of-cut

**HSBH:** hex socket button head

**HSFH:** hex socket flat head

**HSH:** hex socket head

**HWH:** hex washer head

**HWHTF:** hex washer head thread forming

**HYD:** hydraulic

**LH:** left hand

**LP:** Liquefied Petroleum Gas

**LPG:** Liquefied Petroleum Gas

**NI:** nylon insert

**NPTF:** national pipe thread fine

**PFH:** phillips flat head

**PPH:** phillips pan head

**PPHTF:** phillips pan head thread forming

**PRH:** phillips round head

**PTH:** phillips truss head

**PTO:** power-take-off

**RH:** right hand

**ROPS:** roll-over protection system

**RRB:** rear roller brush

**SFH:** slotted fillister head

**SHH:** slotted hex head

**SHWH:** slotted hex washer head

**SPH:** slotted pan head

**SQH:** square head

**SRH:** slotted round head

**STD:** standard

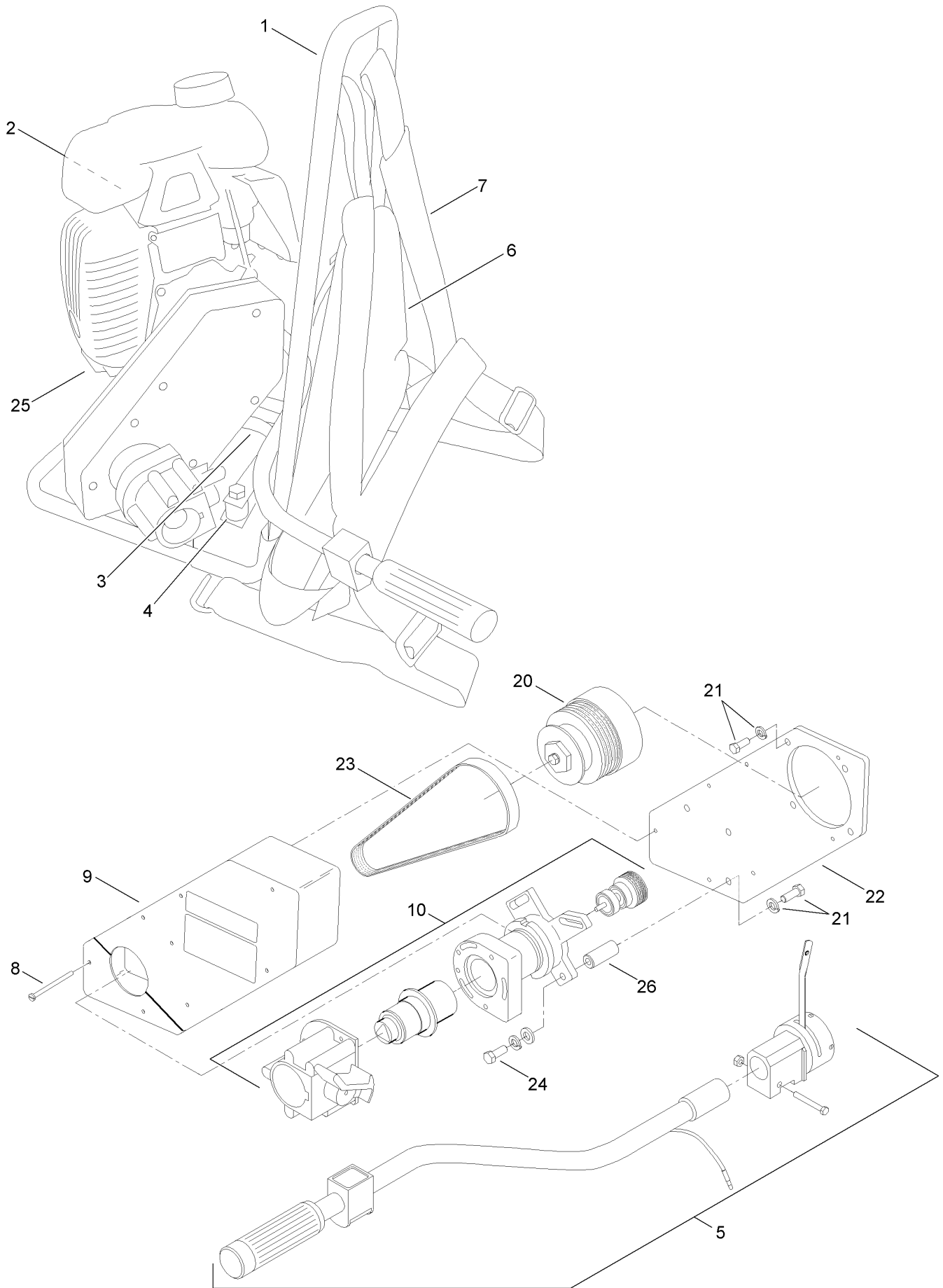
**TAP:** self tapping

**TTH:** torx truss head

# Contents

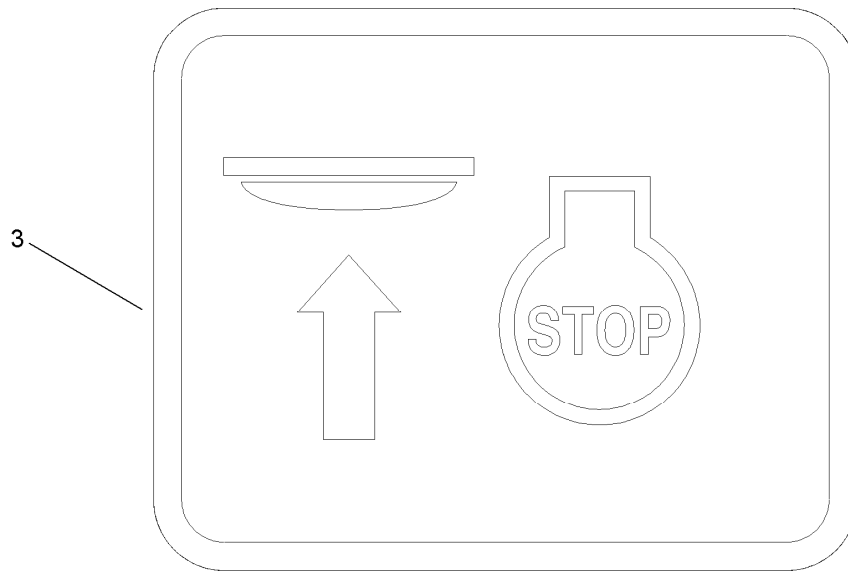
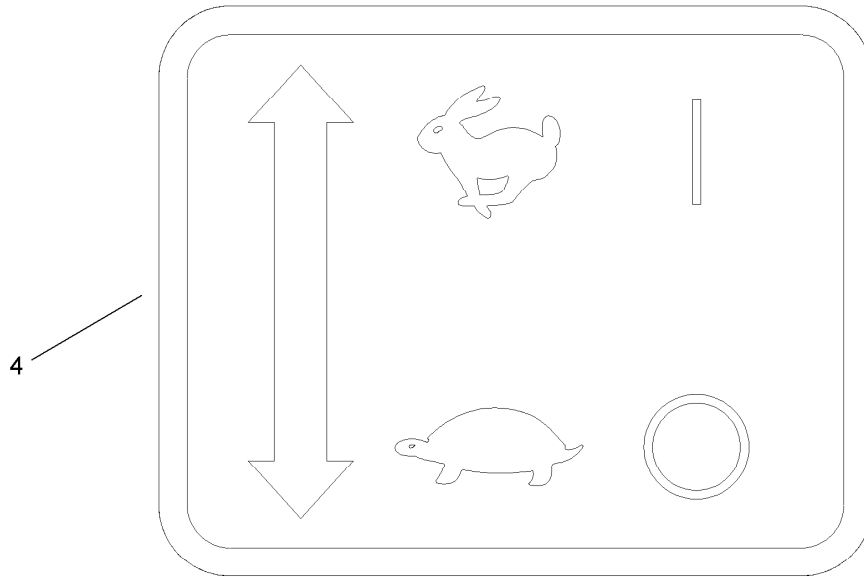
Backpack 2.5 Vibratory Assembly ..... 4  
Decals ..... 6  
Attachments and Accessories ..... 7

# Backpack 2.5 Vibratory Assembly



## Backpack 2.5 Vibratory Assembly (continued)

<i>Ref.</i>	<i>Part Number</i>	<i>Qty.</i>	<i>Description</i>	<i>Ref.</i>	<i>Part Number</i>	<i>Qty.</i>	<i>Description</i>
1	127-5667	1	Frame ASM	9	127-5673	1	Guard-Belt
2	127-5688	1	Starter-Recoil	10	127-5573	1	Drive Block ASM
3	127-5668	1	Spider ASM	20	127-5674	1	Clutch ASM
4	127-5669	3	Mount-Shock, Rubber	21	127-5675	4	Screw-Plate, Transmission
5	127-5572	1	Rotary Throttle ASM	22	127-5676	1	Plate-Mount, Transmission
6	127-5670	1	Backpack Pad With Velcro Strap ASM	23	127-5677	1	V-Belt, 6 Groove
7	127-5671	1	Backpack Shoulder Strap ASM	24	127-5678	3	Screw-Housing, Bearing Block
8	127-5672	5	Screw And Retaining Washer ASM	25	127-5679	1	LH Engine Base ASM
				26	127-7596	3	Spacer



## Decals

<i>Ref.</i>	<i>Part Number</i>	<i>Qty.</i>	<i>Description</i>
3	127-1658	1	Decal-Throttle
4	127-1657	1	Decal-Stop Engine

# Attachments and Accessories

## For 68043 VIB-2.5BP Concrete Vibrator

<b>Product Name</b>	<b>Model/Part</b>
Drive Block Asm .....	127-5573
Shaft Coupling .....	127-5643
0.75in Small Head Assembly .....	68110
1in Small Head Assembly .....	68111
1.25in Large Head Assembly .....	68112
1.5in Large Head Assembly .....	68113
1.75in Large Head Assembly .....	68114
2in Large Head Assembly .....	68115
2.5in Large Head Assembly .....	68116
3ft Small Flex Shaft.....	68117
7ft Small Flex Shaft.....	68118
10ft Small Flex Shaft.....	68119
14ft Small Flex Shaft.....	68120
3ft Large Flex Shaft .....	68121
5ft Large Flex Shaft .....	68122
7ft Large Flex Shaft .....	68123
10ft Large Flex Shaft .....	68124
14ft Large Flex Shaft .....	68125
21ft Large Flex Shaft .....	68126



**Count on it.**