



**Count on it.**

**Parts Catalog**

**VIB-1.5 Concrete Vibrator**

Model No. 68041—Serial No. 313000001 and Up



# Ordering Replacement Parts

To order replacement parts, please supply the part number, the quantity, and the description of each part desired.

## Understanding Reference Numbers

Each identified part in an illustration has a reference number. The reference number for a part also appears in the parts list, along with other information about the part.

This catalog uses two special reference number formats, one to indicate parts in a service assembly and another to indicate the quantity of a given part in an illustration.

## Service Assembly Reference Numbers

Parts in service assemblies have reference numbers in the form a:b. The a represents the reference number of the entire service assembly and the b represents a sequential number unique to each part within the service assembly.

For example, a wheel assembly might be identified by reference number 6, the tire by 6:1, the valve by 6:2, and the wheel by 6:3. When you order the assembly identified by reference number 6, you receive all parts identified by reference numbers 6:1, 6:2, and 6:3. However, you may also order any part individually. Reference numbers of this type appear in illustration and in parts lists.

## Reference Numbers Indicating Quantity

In an illustration, if a reference number indicates more than one part, the reference number has the form nX y. The n represents the quantity of the part, the X is the multiplication symbol, and the y represents the reference number.

For example, in an illustration, the reference number 2X 37 means that two of the parts identified by reference number 37 are indicated.

# List of Abbreviations

**AR:** as required

**ASM:** assembly

**BBC:** blade brake control

**BHTF:** button head thread forming

**CARR:** carriage

**CCW:** counter clockwise

**CW:** clockwise

**DEG:** degrees

**DPA:** Dual Point Adjustment

**ECM:** electronic control module

**EXT:** external

**FH:** flat head

**GA:** gauge

**HD:** heavy-duty

**HF:** hex flange

**HH:** hex head

**HHF:** hex head flange

**HHFTF:** hex head flange thread forming

**HJ:** hex jam

**HLH:** hex lag head

**HOC:** height-of-cut

**HSBH:** hex socket button head

**HSFH:** hex socket flat head

**HSH:** hex socket head

**HWH:** hex washer head

**HWHTF:** hex washer head thread forming

**HYD:** hydraulic

**LH:** left hand

**LP:** Liquefied Petroleum Gas

**LPG:** Liquefied Petroleum Gas

**NI:** nylon insert

**NPTF:** national pipe thread fine

**PFH:** phillips flat head

**PPH:** phillips pan head

**PPHTF:** phillips pan head thread forming

**PRH:** phillips round head

**PTH:** phillips truss head

**PTO:** power-take-off

**RH:** right hand

**ROPS:** roll-over protection system

**RRB:** rear roller brush

**SFH:** slotted fillister head

**SHH:** slotted hex head

**SHWH:** slotted hex washer head

**SPH:** slotted pan head

**SQH:** square head

**SRH:** slotted round head

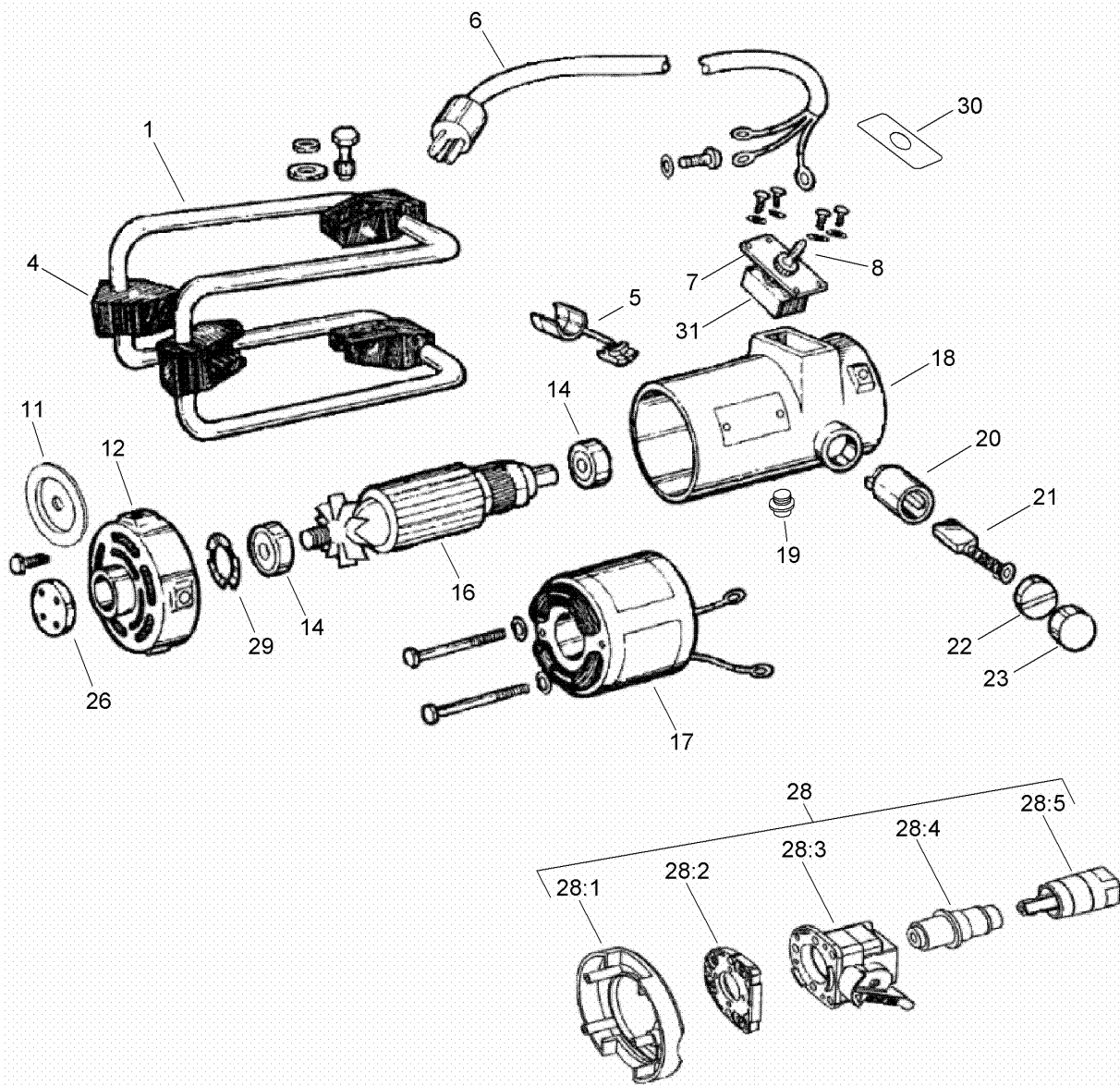
**STD:** standard

**TAP:** self tapping

**TTH:** torx truss head

# Contents

1.5 Vibratory Assembly ..... 4  
Attachments and Accessories ..... 5



## 1.5 Vibratory Assembly

| <i>Ref.</i> | <i>Part Number</i> | <i>Qty.</i> | <i>Description</i>  | <i>Ref.</i> | <i>Part Number</i> | <i>Qty.</i> | <i>Description</i>       |
|-------------|--------------------|-------------|---------------------|-------------|--------------------|-------------|--------------------------|
| 1           | 127-5649           | 1           | Frame ASM           | 21          | 127-5658           | 1           | Brush                    |
| 4           | 127-5501           | 1           | Mount-Shock         | 22          | 127-5659           | 1           | Screw-Cap                |
| 5           | 127-5502           | 1           | Strain Relief ASM   | 23          | 127-5660           | 1           | Cap-Threaded, Protective |
| 6           | 127-5503           | 1           | Cord ASM            | 26          | 127-5641           | 1           | Cover                    |
| 7           | 127-5504           | 1           | Switch Plate ASM    | 28          | 127-5582           | 1           | Quick Disconnect Kit     |
| 8           | 127-5625           | 1           | Boot-Rubber, Switch | 28:1        | ST63856            | 1           | Baffle-RH                |
| 11          | 127-5650           | 1           | Baffle ASM          | 28:2        | ST63858            | 1           | Spacer                   |
| 12          | 127-5651           | 1           | Bell-End            | 28:3        | ST63859            | 1           | Casing-Adaptor           |
| 14          | 127-5652           | 2           | Bearing             | 28:4        | ST63860            | 1           | Core Adaptor ASM         |
| 16          | 127-5654           | 1           | Armature (115V)     | 28:5        | ST30428            | 1           | Coupler-Shaft            |
| 17          | 127-5655           | 1           | Field (115V)        | 29          | ST35856            | 1           | Ring-Tolerance           |
| 18          | 127-5656           | 1           | Housing             | 30          | 125-8195           | 1           | Decal-Switch Plate       |
| 19          | 127-5634           | 1           | Plug-Port, Access   | 31          | 127-5499           | 1           | Kill Switch ASM          |
| 20          | 127-5657           | 1           | Holder-Brush        |             |                    |             |                          |

# Attachments and Accessories

## For 68041 VIB-1.5 Concrete Vibrator

| <b>Product Name</b>              | <b>Model/Part</b> |
|----------------------------------|-------------------|
| Quick Disconnect Kit.....        | 127-5582          |
| Shaft Coupling .....             | 127-5643          |
| 0.75in Small Head Assembly ..... | 68110             |
| 1in Small Head Assembly .....    | 68111             |
| 1.25in Large Head Assembly ..... | 68112             |
| 1.5in Large Head Assembly .....  | 68113             |
| 1.75in Large Head Assembly ..... | 68114             |
| 2in Large Head Assembly .....    | 68115             |
| 2.5in Large Head Assembly .....  | 68116             |
| 3ft Small Flex Shaft.....        | 68117             |
| 7ft Small Flex Shaft.....        | 68118             |
| 10ft Small Flex Shaft.....       | 68119             |
| 14ft Small Flex Shaft.....       | 68120             |
| 3ft Large Flex Shaft .....       | 68121             |
| 5ft Large Flex Shaft .....       | 68122             |
| 7ft Large Flex Shaft .....       | 68123             |
| 10ft Large Flex Shaft .....      | 68124             |
| 14ft Large Flex Shaft .....      | 68125             |
| 21ft Large Flex Shaft .....      | 68126             |

**Notes:**

**Notes:**



**Count on it.**