



VIB-1, VIB-1.5, VIB-2, and VIB-3 Concrete Vibrator

Model No. 68040—Serial No. 313000001 and Up

Model No. 68041—Serial No. 313000001 and Up

Model No. 68042—Serial No. 313000001 and Up

Model No. 68044—Serial No. 313000001 and Up

Operator's Manual



If, after carefully reading this manual, you still have questions or problems, call toll free 1-800-808-2963 (US) or 1-800-808-3072 (Canada) before returning this product.

▲ WARNING

CALIFORNIA Proposition 65 Warning

This product contains a chemical or chemicals known to the State of California to cause cancer, birth defects, or reproductive harm.

Use of this product may cause exposure to chemicals known to the State of California to cause cancer, birth defects, or other reproductive harm.

General Power Tool Safety Warnings

▲WARNING Read all safety warnings and all instructions. *Failure to follow the warnings and instructions may result in electric shock, fire and/or serious injury.*

Save all warnings and instructions for future reference.

The term "power tool" in the warnings refers to your mains-operated (corded) power tool.

1. Work area safety

- Keep work area clean and well lit.** *Cluttered or dark areas invite accidents.*
- Do not operate power tools in explosive atmospheres, such as in the presence of flammable liquids, gases or dust.** *Power tools create sparks which may ignite the dust or fumes.*
- Keep children and bystanders away while operating a power tool.** *Distractions can cause you to lose control.*

2. Electric safety

- Power tool plugs must match the outlet. Never modify the plug in any way. Do not use any**

adapter plugs with earthed (grounded) power tools. *Unmodified plugs and matching outlets will reduce risk of electric shock.*

- Avoid body contact with earthed or grounded surfaces such as pipes, radiators, ranges and refrigerators.** *There is an increased risk of electric shock if your body is earthed or grounded.*
- Do not expose power tools to rain or wet conditions.** *Water entering a power tool will increase the risk of electric shock.*
- Do not abuse the cord. Never use the cord for carrying, pulling or unplugging the power tool. Keep cord away from heat, oil, sharp edges or moving parts.** *Damaged or entangled cords increase the risk of electric shock.*
- When operating a power tool outdoors, use an extension cord suitable for outdoor use.** *Use of a cord suitable for outdoor use reduces the risk of electric shock.*
- If operating a power tool in a damp location is unavoidable, use a ground fault interrupter (GFCI) protected supply.** *Use of an GFCI reduces the risk of electric shock.*

3. Personal safety

- Stay alert, watch what you are doing and use common sense when operating a power tool. Do not use a power tool while you are tired or under the influence of drugs, alcohol or medication.** *A moment of inattention while operating power tools may result in serious personal injury.*
- Use personal protective equipment. Always wear eye protection.** *Protective equipment such as dust mask, non-skid safety shoes, hard hat, or hearing protection used for appropriate conditions will reduce personal injuries.*
- Prevent unintentional starting. Ensure the switch is in the off-position before connecting to power source and/or battery pack, picking up or carrying the tool. Carrying power tools with your finger on the switch or energizing power tools that have the switch on invites accidents.**
- Remove any adjusting key or wrench before turning the power tool on.** *A wrench or a key left attached to a rotating part of the power tool may result in personal injury.*

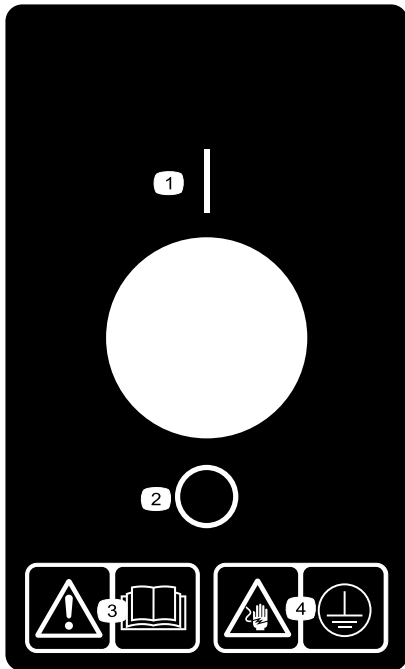


- E. **Do not overreach. Keep proper footing and balance at all times.** *This enables better control of the power tool in unexpected situations.*
 - F. **Dress properly. Do not wear loose clothing or jewelry. Keep your hair, clothing and gloves away from moving parts.** *Loose clothes, jewelry or long hair can be caught in moving parts.*
 - G. **If devices are provided for the connection of dust extraction and collection facilities, ensure these are connected and properly used.** *Use of dust collection can reduce dust-related hazards.*
4. **Power tool use and care**
- A. **Do not force the power tool. Use the correct power tool for your application.** *The correct power tool will do the job better and safer at the rate for which it was designed.*
 - B. **Do not use the power tool if the switch does not turn it on and off.** *Any power tool that cannot be controlled with the switch is dangerous and must be repaired.*
 - C. **Disconnect the plug from the power source and/or the battery pack from the power tool before making any adjustments, changing accessories, or storing power tools.** *Such preventive safety measures reduce the risk of starting the power tool accidentally.*
 - D. **Store idle power tools out of the reach of children and do not allow persons unfamiliar with the power tool or these instructions to operate the power tool.** *Power tools are dangerous in the hands of untrained users.*
 - E. **Maintain power tools. Check for misalignment or binding of moving parts, breakage of parts and any other condition that may affect the power tool's operation. If damaged, have the power tool repaired before use.** *Many accidents are caused by poorly maintained power tools.*
 - F. **Keep cutting tools sharp and clean.** *Properly maintained cutting tools with sharp cutting edges are less likely to bind and are easier to control.*
 - G. **Use the power tool, accessories and tool bits etc. in accordance with these instructions, taking into account the working conditions and the work to be performed.** *Use of the power tool for operations different from those intended could result in a hazardous situation.*
5. **Service**
- A. **Have your power tool serviced by a qualified repair person using only identical replacement parts.** *This will ensure that the safety of the power tool is maintained.*

Safety and Instructional Decals

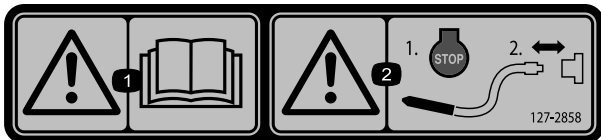


Safety decals and instructions are easily visible to the operator and are located near any area of potential danger. Replace any decal that is damaged or lost.



125-8195

- | | |
|--------|--|
| 1. On | 3. Warning—read the <i>Operator's Manual</i> . |
| 2. Off | 4. Electric shock hazard—always use a grounded power source. |



127-2858

- | | |
|--|---|
| 1. Warning—read the <i>Operator's Manual</i> . | 2. Warning—1) Stop the engine; 2) Disconnect the shaft. |
|--|---|

Symbol Definitions

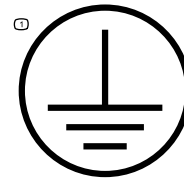


G023152

Figure 1

Symbol located on the non-serviceable serial-number plate

1. WARNING – To reduce the risk of injury, user must read and understand instruction manual.



G023160

Figure 2

1. Protective earth

Electrical Symbol Definitions

Symbol	Name	Designation/Explanation
AC/DC	Alternating current or direct current	Type of current
A	Amperes	Current
Hz	Hertz	Frequency (cycles per second)
V	Volts	Voltage

Setup

Loose Parts

Use the chart below to verify that all parts have been shipped.

Procedure	Description	Qty.	Use
1	Shoulder strap	1	Attach the shoulder strap.

1

Attaching the Shoulder Strap

Parts needed for this procedure:

1	Shoulder strap
---	----------------

Procedure

1. Push a clip on the shoulder strap onto a mounting ring on the power unit.
2. Push the other clip onto the other mounting ring on the power unit.

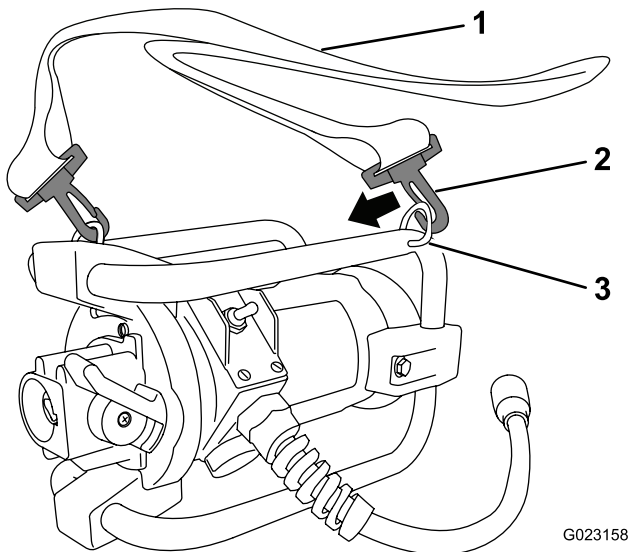


Figure 3

1. Shoulder strap
2. Clip (2)
3. Mounting ring (2)

Operation

Product Overview

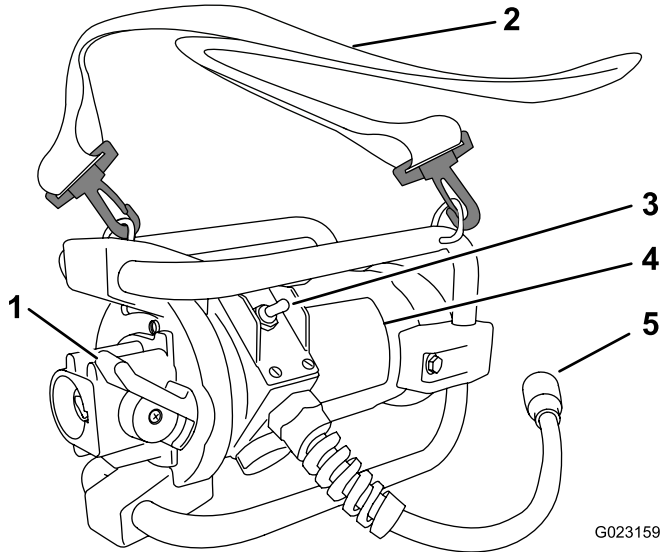


Figure 4

- | | |
|-------------------|---------------------------|
| 1. Coupling lever | 4. Serial number location |
| 2. Shoulder strap | 5. Power cord |
| 3. On/Off switch | |

Specifications

Model	Power	Amps	Suggested Maximum Head Size	Operating Weight
68040	0.75 kW (1 hp)	9	3.81 cm (1-1/2 inch)	5.44 kg (12 lb)
68041	1.12 kW (1-1/2 hp)	15	4.45 cm (1-3/4 inch)	6.35 kg (14 lb)
68042	1.49 kW (2 hp)	17	5.08 cm (2 inch)	7.26 kg (16 lb)
68044	2.24 kW (3 hp)	19	6.35 cm (2-1/2 inch)	9.07 kg (20 lb)

Connecting the Power Tool to a Power Source

Models 68040 and 68041 have a standard 15-amp plug; models 68042 and 68044 have a locking 20-amp L5-20 plug. Ensure that you have an outlet and extension cord that will work with your specific model.

Use only an appropriate UL-listed extension cord recommended for outdoor use. If you do not have the correct type of outlet, contact a qualified electrician to install the proper outlet. Do not change the power-tool plug or extension-cord plug in any way.

⚠ DANGER

Contact with water while operating the power tool could cause electric shock, causing injury or death.

- Do not handle the plug or the power tool with wet hands or while standing in water.
- Use only an extension cord recommended for outdoor use.

Minimum Wire Gauge for Extension Cords

Model	Amperes at 120 volts	15.2 m (50 ft)	30.5 m (100 ft)	45.7 m (150 ft)	61.0 m (200 ft)	91.4 (300 ft)
68040	9	14 AWG	14 AWG	12 AWG	10 AWG	8 AWG
68041	15	14 AWG	12 AWG	10 AWG	8 AWG	8 AWG
68042	17	14 AWG	12 AWG	8 AWG	8 AWG	8 AWG
68044	19	12 AWG	12 AWG	8 AWG	8 AWG	6 AWG

Installing the Head onto the Shaft

Note: The head and shaft are sold separately. There is a variety of sizes available from your Authorized Toro Dealer.

1. Hold the threaded end of the shaft in a pipe vise, and coat the threads of the shaft with a thread sealant to prevent water from entering the head (Figure 5).

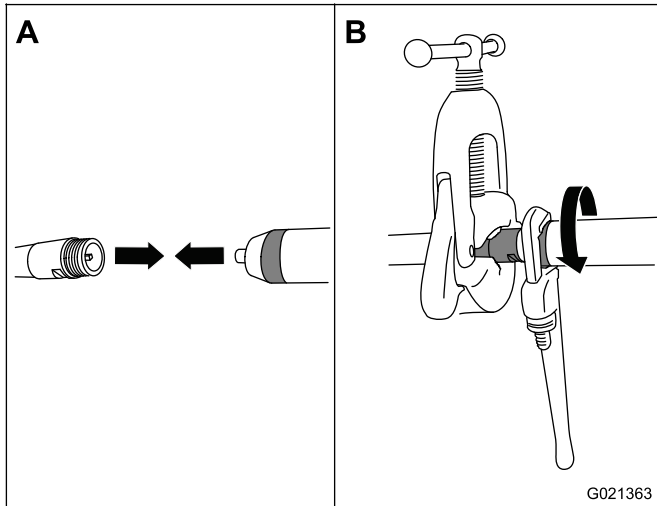


Figure 5

2. Bring the threaded end of the head together with the shaft, and thread them together by hand.

Note: The head and shaft have reverse, or left-hand threads.

3. Place a pipe wrench as close as possible to the end of the head, as shown in Figure 5B, to avoid loosening any parts of the head.

Important: If any parts of the head are loose, they could come off and get lost in the concrete.

4. Use the pipe wrench to turn the head counterclockwise to tighten it onto the shaft until it is tight.

Available Shafts

Shaft Model	Length
68117	0.91 m (3 ft)— narrow
68118	2.13 m (7 ft)— narrow
68119	3.05 m (10 ft)— narrow
68120	4.27 m (14 ft)— narrow
68121	0.91 m (3 ft)
68122	1.53 m (5 ft)
68123	2.13 m (7 ft)
68124	3.05 m (10 ft)
68125	4.27 m (14 ft)
68126	6.40 m (21 ft)

Available Heads

Head Model	Diameter	Length	Centrifugal Force (at 10,600 rpm)	Radius of Influence	Capacity	Operating Weight
68110	(3/4 inch)	30.5 cm (12 inches)	0.50 kN (112 lbf)	10.2 cm (4 inches)	3.06 cubic m/hour (4 cubic yards/hour)	1.36 kg (3 lb)
68111	(1 inch)	33.0 cm (13 inches)	0.81 kN (183 lbf)	12.7 cm (5 inches)	4.59 cubic m/hour (6 cubic yards/hour)	1.36 kg (3 lb)
68112	(1-1/4 inch)	33.0 cm (13 inches)	1.91 kN (430 lbf)	17.8 cm (7 inches)	6.12 cubic m/hour (8 cubic yards/hour)	1.81 kg (4 lb)
68113	(1-1/2 inch)	35.6 cm (14 inches)	3.38 kN (760 lbf)	35.6 cm (14 inches)	9.18 cubic m/hour (12 cubic yards/hour)	2.72 kg (6 lb)
68114	(1-3/4 inch)	35.6 cm (14 inches)	4.89 kN (1100 lbf)	45.7 cm (18 inches)	18.35 cubic m/hour (24 cubic yards/hour)	3.63 kg (8 lb)
68115	(2 inch)	35.6 cm (14 inches)	6.45 kN (1450 lbf)	55.9 cm (22 inches)	26.76 cubic m/hour (35 cubic yards/hour)	4.08 kg (9 lb)
68116	(2-1/2 inch)	33.0 cm (13 inches)	10.36 kN (2330 lbf)	63.5 cm (25 inches)	29.05 cubic m/hour (38 cubic yards/hour)	4.99 kg (11 lb)

Removing the Head from the Shaft

Remove the head from the shaft in the opposite order of installing it; refer to Installing the Head onto the Shaft (page 7).

Connecting the Shaft to the Power Tool

Note: The head and shaft are sold separately from the power tool. There is a variety of sizes available from your Authorized Toro Dealer.

1. Ensure that the On/Off switch is in the Off position.
2. Rotate the coupling lever counterclockwise, and insert the shaft into the coupling (Figure 6A).

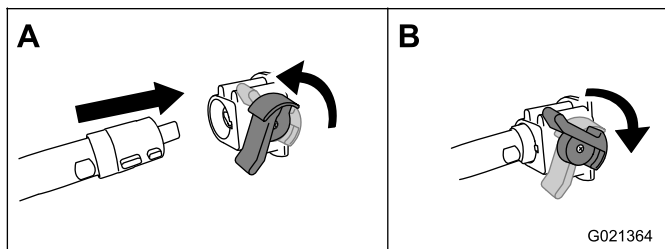


Figure 6

3. When the shaft is fully inserted, rotate the coupling lever clockwise, back to the original position (Figure 6B).

Important: Ensure that the coupling lever locks the shaft in place so that the shaft does not become detached during operation.

Starting and Stopping the Motor

1. To start the motor, move the On/Off switch **up** to the On position (Figure 7).

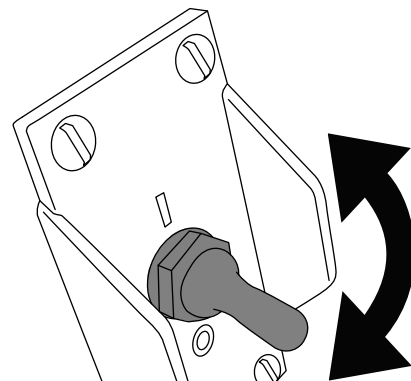


Figure 7

1. On/Off switch
2. To stop the motor, move the On/Off switch **down** to the Off position.

Note: When you are finished using the power tool, turn it off and disconnect the extension cord.

Using the Power Tool

Important: Do not operate the vibrator head out of the concrete mix for more than a few minutes. The wet concrete keeps the head at the proper operating temperature.

1. Ensure that the power unit, shaft, and head are securely attached.
2. Ensure that the vibrator power unit is sitting securely, or use the shoulder strap to hang it over your shoulder.
3. While holding the flexible shaft, turn the power unit on; refer to Starting and Stopping the Motor (page 8).
4. Insert the vibrator head vertically into the concrete, and allow the weight of it to sink it to the desired depth.

Note: Forcing the vibrator head may cause it to become stuck between pieces of rebar.

5. Keep the vibrator head in place for 5 to 15 seconds, and then slowly lift it up.
Note: Allow about 15 seconds for moving the vibrator a 61 cm (2 foot) distance up and out of the concrete.
Note: Using a slight up and down movement will close the hole formed by the vibrator head.
6. Remove the vibrator quickly when it is near the top of the concrete.
7. Insert the vibrator at a distance 1.5 times the radius of action away from the last insertion point, and repeat the procedure.
8. When you are finished using the power tool, turn it off, unplug the power cable, and wipe the power tool clean.

Operating Tips

- Match the vibrator power unit, shaft, and head to the job. Select the largest vibrator suitable for the job. Select the shortest shaft possible to do the job to assure maximum power to the vibrator head.
- For the highest efficiency, avoid making sharp bends in the flexible shaft.
- Do not use the vibrator to move the concrete laterally. Doing so will cause segregation. Use a shovel instead.
- Limit pours to 2 feet high; this will result in less resistance for air to escape.
- Allow the vibrator to penetrate 3 to 6 inches into the preceding layer to knit the 2 layers together, preventing lift lines.
- Flip the shaft around (so that the motor end is at the head, and vice versa) periodically to extend the service life.

Maintenance

⚠ WARNING

If the extension cord is plugged into the power tool, someone could accidentally operate the power tool while you are performing maintenance on it, causing serious personal injury.

Move the On/Off switch to the Off position, and disconnect the extension cord before you perform any maintenance on the power tool.

Note: The heads are factory-sealed, therefore they require no maintenance.

After using the power tool each time, complete the following:

1. Turn the motor off and unplug the power tool.
2. Wipe the power tool clean with a damp cloth. Do not hose it down or submerge it in water.
3. Check and tighten all fasteners. If any part is damaged or lost, repair or replace it.
4. Brush debris away from the air intake vents on the motor housing to prevent the motor from overheating.

Should this product need service other than lubricating the shaft, take the product to your Authorized Toro Service Dealer. Your Toro Dealer is specially trained to repair Toro products and will ensure that your Toro products stays "All" Toro.

Lubricating the Shaft

Service Interval: Every 40 hours—Lubricate the shaft with lithium-based grease.

Lubricate the flexible shaft to prevent dry spots that cause overheating.

1. Disconnect the flexible shaft from the vibrator head and the power unit.
2. Remove the inner core and wipe it clean (Figure 8A).

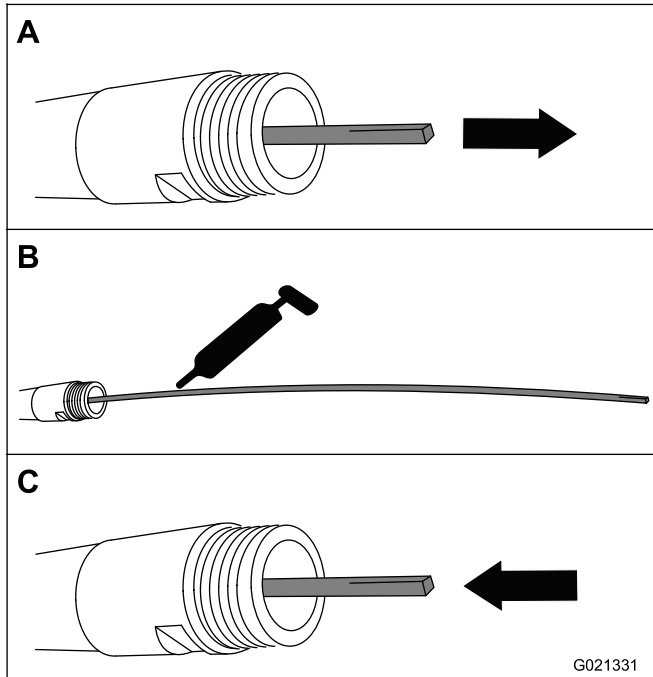


Figure 8

3. Coat the core with 1.5 mm (1/16 inch) of lithium-based grease (Figure 8B).

Note: Over-lubricating the core will shorten the life of the shaft.

4. Install the core into the shaft casing (Figure 8C).
5. Install the shaft onto the power unit.
6. Install the head onto the shaft.

Storage

1. Disconnect the extension cord from the power tool.
2. Disconnect the flexible shaft from the power tool.
3. Wipe away any concrete or other material on the power tool.
4. Examine the extension cord thoroughly for signs of wear or damage. Replace it if it is worn or damaged.
5. Examine the power tool thoroughly for worn, loose, or damaged parts. To repair or replace parts, contact an Authorized Service Dealer for assistance.
6. Store the power tool and the extension cord in a clean, dry place.

Notes:



The Toro Warranty

A limited warranty (see warranty periods below)

Conditions and Products Covered

The Toro Company and its affiliate, Toro Warranty Company, pursuant to an agreement between them, jointly warrant your Toro Concrete, Masonry, and Compaction Equipment Products listed below to be free from defects in materials or workmanship.

This warranty covers the cost of parts and labor, but you must pay transportation costs.

The following time periods apply from the date of purchase:

Products	Warranty Period
Concrete Mixers	1 year
• Spindle Bearings	Lifetime* (original owner only)
Mortar Mixers	1 year
• Drum Bearings and Seals	Lifetime* (original owner only)
Forward Plate Compactors	2 years
Reversible Plates	1 year
Rammer Compactors	2 years
Mud Buggy	1 year
Vibrating Trench Roller	2 years
Concrete Saws	1 year
Masonry Saws	1 year
Power Trowels	1 year
Screeds	1 year
Concrete Vibrators	1 year

Where a warrantable condition exists, we will repair the Product at no cost to you including diagnosis, labor, and parts.

*Lifetime Warranty - If the bearing(s) or seal(s) on your mixer fail, it will be replaced under warranty, at no cost for parts or labor.

Instructions for Obtaining Warranty Service

If you think that your Toro Product contains a defect in materials or workmanship, follow this procedure¹:

1. Contact any Authorized Servicing Outlet to arrange service at their dealership. To locate one convenient to you, access our website at www.Toro.com. Select "Where to Buy" and select "Contractor" under product type. You may also call our toll free number below.
2. Bring the product and your proof of purchase (sales receipt) to them.
3. If for any reason you are dissatisfied with the Service Outlet's analysis or with the assistance provided, contact us at:

SWS Customer Care Department
Toro Warranty Company
8111 Lyndale Avenue South
Bloomington, MN 55420-1196
Toll Free: 800-888-9926

¹Toro Authorized Rental Customers who have purchased products directly from Toro and have signed the Toro Rental Customer Agreement have the ability to perform their own warranty work. Please visit Toro's Rental Portal for electronic warranty claim filing procedures or call the toll free number above.

Owner Responsibilities

You must maintain your Toro Product by following the maintenance procedures described in the *Operator's Manual*. Such routine

maintenance, whether performed by a dealer or by you, is at your expense. Parts scheduled for replacement as required maintenance ("Maintenance Parts"), are warranted for the period of time up to the scheduled replacement time for that part. Failure to perform required maintenance and adjustments can be grounds for disallowing a warranty claim.

Items and Conditions Not Covered

Not all product failures or malfunctions that occur during the warranty period are defects in materials or workmanship. This express warranty does not cover the following:

- Product failures which result from the use of non-Toro replacement parts, or from installation and use of add-on, modified, or unapproved accessories
- Product failures which result from failure to perform required maintenance and/or adjustments
- Product failures which result from operating the Product in an abusive, negligent or reckless manner
- Parts subject to consumption through use unless found to be defective. Examples of parts which are consumed, or used up, during normal product operation include, but are not limited to, belts, wipers, spark plugs, tires, filters, gaskets, wear plates, seals, O-rings, drive chains, clutches.
- Failures caused by outside influence. Items considered to be outside influence include, but are not limited to, weather, storage practices, contamination, use of unapproved coolants, lubricants, additives, or chemicals, etc.
- Normal "wear and tear" items. Normal "wear and tear" includes, but is not limited to, worn painted surfaces, scratched decals, etc.
- Any component covered by a separate manufacturer's warranty
- Pickup and delivery charges

General Conditions

Repair by an Authorized Servicing Outlet or Self-Service as an Authorized Rental Customer is your sole remedy under the warranty.

Neither The Toro Company nor Toro Warranty Company is liable for indirect, incidental or consequential damages in connection with the use of the Toro Products covered by this warranty, including any cost or expense of providing substitute equipment or service during reasonable periods of malfunction or non-use pending completion of repairs under this warranty. All implied warranties of merchantability and fitness for use are limited to the duration of this express warranty. Some states do not allow exclusions of incidental or consequential damages, or limitations on how long an implied warranty lasts, so the above exclusions and limitations may not apply to you.

This warranty gives you specific legal rights, and you may also have other rights which vary from state to state.

Except for the engine warranty coverage and the Emissions warranty referenced below, if applicable, there is no other express warranty. The Emissions Control System on your Product may be covered by a separate warranty meeting requirements established by the U.S. Environmental Protection Agency (EPA) or the California Air Resources Board (CARB). Refer to the California Emission Control Warranty Statement supplied with your Product or contained in the engine manufacturer's documentation for details.

Countries Other than the United States or Canada

Customers who have purchased Toro products outside the United States or Canada should contact their Toro Distributor (Dealer) to obtain guarantee policies for your country, province, or state. If for any reason you are dissatisfied with your Distributor's service or have difficulty obtaining guarantee information, contact the Toro importer. If all other remedies fail, you may contact us at Toro Warranty Company.

Australian Consumer Law: Australian customers will find details relating to the Australian Consumer Law either inside the box or at your local Toro Dealer.