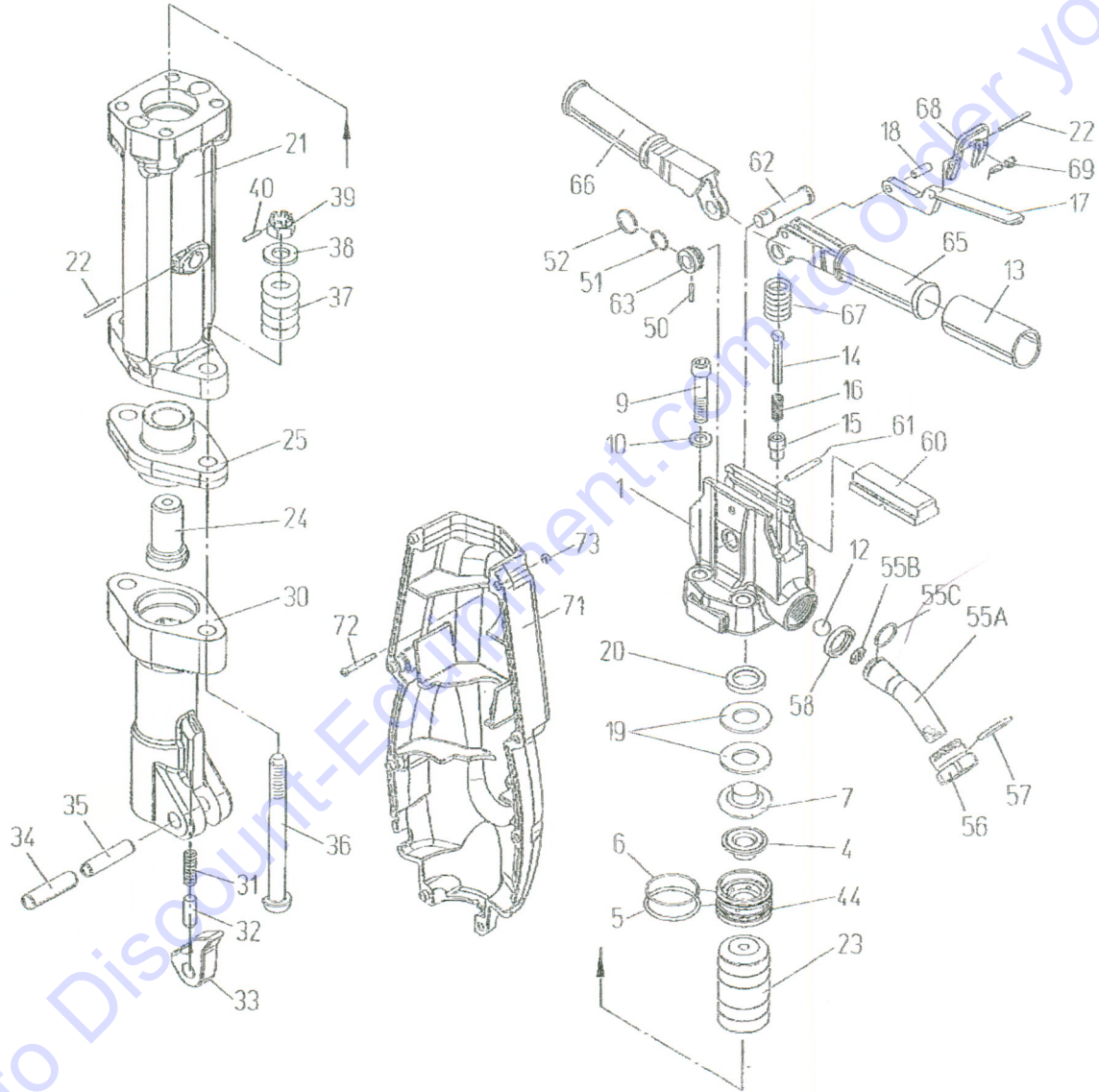


Parts List

Exploded View



Go to Discount-Equipment.com to order your parts

TPB-501SV

				MUST REPLACE 100%	HIGH WEAR 70%	MEDIUM WEAR 50%	LOW WEAR 30%	NON WEAR 10%	SUBJECT TO EXTERNAL DAMAGE
1	410370490	1	Back Head					X	
4	410231150	1	Valve				X		
5	131101051	1	O-Ring P-49	X					
6	131103039	1	O-Ring S-50	X					
7	410231190	1	Valve Cover					X	
9	131712055	4	Hex Socket Bolt M12X55					X	
10	131302012	4	Spring Washer M12					X	
12	130505048	1	Polyurethane Rubber Ball 3/4					A	
13	136601010	2	Rubber Grip					X	
14	410227011	1	Valve Pin					X	
15	410227280	1	Valve Pin Bushing					X	
16	130801038	1	Valve Pin Spring		X				
17	410227310	1	Throttle Lever					X	
18	410227330	1	Throttle Lever Pin					X	
19	131313050	2	Coned Disk Spring H-25					X	
20	410362800	1	Spacer Ring					X	
21	410370010	1	Cylinder					X	
22	130604040	3	Spring Pin 4X40					X	
23	410362040	1	Piston		X				
24	410350580	1	Tappet			X			
25	410370590	1	Tappet Seat					X	
30	410370530	1	Front Head 1-1/8					X	
30	410371530	1	Front Head 1-1/4					X	
31	130801062	1	Retainer Plunger Spring		X				
32	410350650	1	Retainer Plunger		X				
33	410350610	1	Steel Retainer	X					
34	130616060	1	Spring Pin 16X60		X				
35	130610060	1	Spring Pin 10X60		X				
36	410350540	2	Front Head Bolt					X	
37	130801063	2	Front Head Bolt Spring					X	
38	410350560	2	Plain Washer					X	
39	134304016	2	Hex Slotted Nut M16					X	
40	130604022	2	Spring Pin 4X22					X	
44	410362190	1	Valve Chest					X	
50	130400043	1	Parallel Pin 4X19.8					X	
51	131117018	1	O-Ring AS568-018	X					
52	130803144	1	Socket Retaining Ring					X	
55A	410231370	1	Air Inlet Swivel					X	
55B	136801001	1	Air Inlet Screen					X	
55C	131103019	1	O-Ring S-24	X					
56	410231390	1	Air Inlet Swivel Nut					X	
57	131101033	1	O-Ring P-32	X					
58	410231410	1	Air Inlet Swivel Spacer					X	
60	410136060	1	Back Head Cap		X				
61	130606044	1	Spring Pin 6X44					X	
62	410136A81	1	Center Pin					X	
63	410136C90	1	Center Pin Ring					X	
65	410136070	1	Lever Handle					X	
66	410227080	1	Handle					X	
67	130801064	2	Handle Spring		X				
68	410227760	1	Stop Lever					X	
69	130801034	1	Stop Lever Spring		X				
71	410370C80	1	Muffler (Pair)					X	
72	132405240	8	Screw W/Washer M5X40					X	
73	134602005	8	Serrate Flange Nut M5					X	

Spare Parts Service Chart

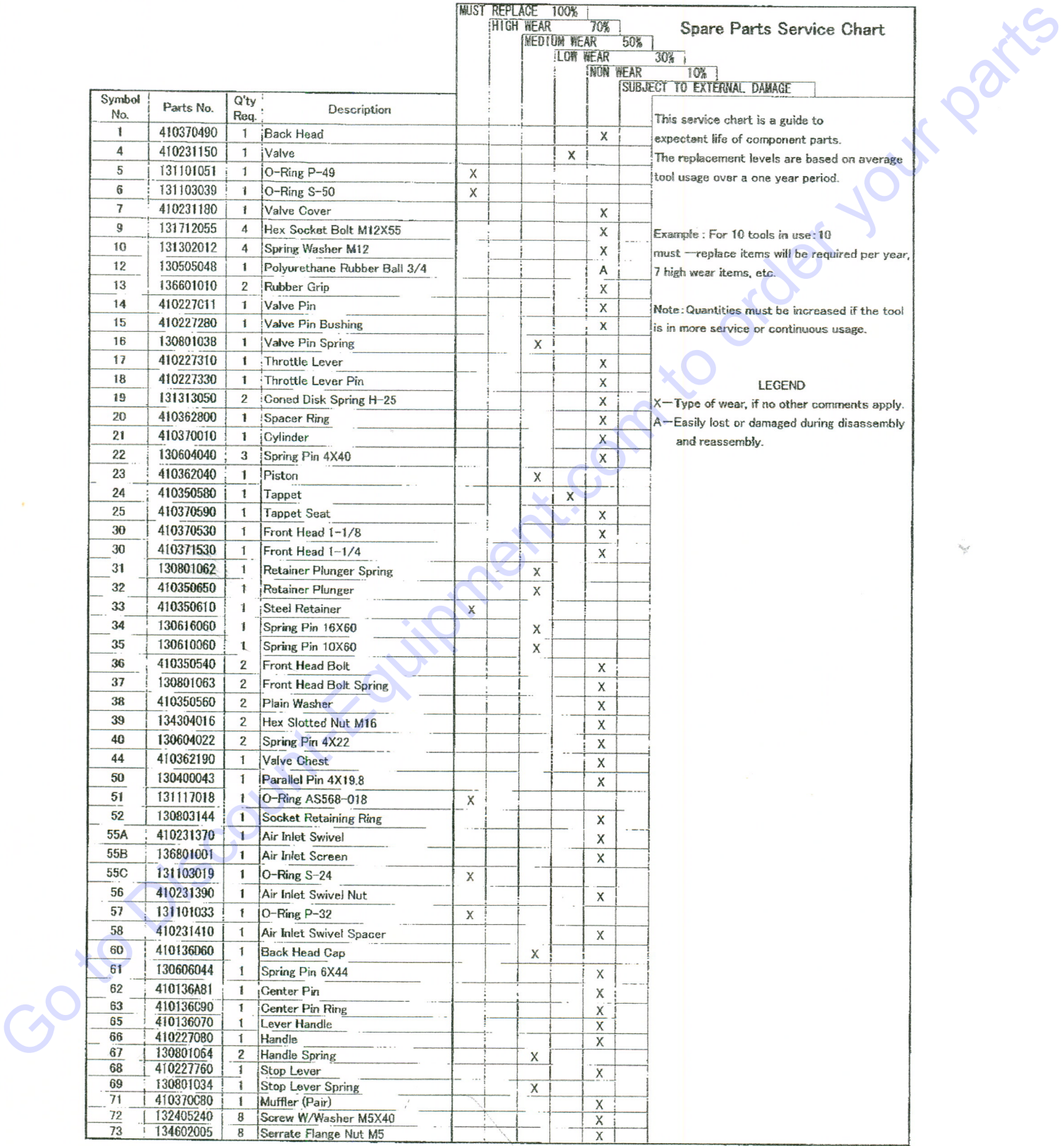
This service chart is a guide to expectant life of component parts. The replacement levels are based on average tool usage over a one year period.

Example : For 10 tools in use: 10 must —replace items will be required per year, 7 high wear items, etc.

Note: Quantities must be increased if the tool is in more service or continuous usage.

LEGEND

X— Type of wear, if no other comments apply.
A— Easily lost or damaged during disassembly and reassembly.



PARTS FINDER

**Search Website
by Part Number**



**Search Manual
Library For Parts
Manual & Lookup Part
Numbers – Purchase
or Request Quote**

Search Manuals

Enter your information to help us find the right parts manual for your machine.

* Brand:

* Model:

* Serial:

* Part Number:

SEARCH

**Can't Find Part or
Manual? Request Help
by Manufacturer,
Model & Description**

Parts Order Form

Please fill in the following information to help us find the right part for your machine.

Manufacturer:	<input type="text"/>
Model:	<input type="text"/>
Description:	<input type="text"/>
Part Number:	<input type="text"/>
Quantity:	<input type="text"/>
Notes:	<input type="text"/>

Submit

Discount-Equipment.com is your online resource for quality parts & equipment.

Florida: **561-964-4949** Outside Florida TOLL FREE: **877-690-3101**

Need parts?

Click on this link: <http://www.discount-equipment.com/category/5443-parts/> and choose one of the options to help get the right parts and equipment you are looking for. Please have the machine model and serial number available in order to help us get you the correct parts. If you don't find the part on the website or on one of the online manuals, please fill out the request form and one of our experienced staff members will get back to you with a quote for the right part that your machine needs.

We sell worldwide for the brands: Genie, Terex, JLG, MultiQuip, Mikasa, Essick, Whiteman, Mayco, Toro Stone, Diamond Products, Generac Magnum, Airman, Haulotte, Barreto, Power Blanket, Nifty Lift, Atlas Copco, Chicago Pneumatic, Allmand, Miller Curber, Skyjack, Lull, Skytrak, Tsurumi, Husquvarna Target, Stow, Wacker, Sakai, Mi-T-M, Sullair, Basic, Dynapac, MBW, Weber, Bartell, Bennar Newman, Haulotte, Ditch Runner, Menegotti, Morrison, Contec, Buddy, Crown, Edco, Wyco, Bomag, Laymor, EZ Trench, Bil-Jax, F.S. Curtis, Gehl Pavers, Heli, Honda, ICS/PowerGrit, IHI, Partner, Imer, Clipper, MMD, Koshin, Rice, CH&E, General Equipment, Amida, Coleman, NAC, Gradall, Square Shooter, Kent, Stanley, Tamco, Toku, Hatz, Kohler, Robin, Wisconsin, Northrock, Oztec, Toker TK, Rol-Air, APT, Wylie, Ingersoll Rand / Doosan, Innovatech, Con X, Ammann, Mecalac, Makinex, Smith Surface Prep, Small Line, Wanco, Yanmar