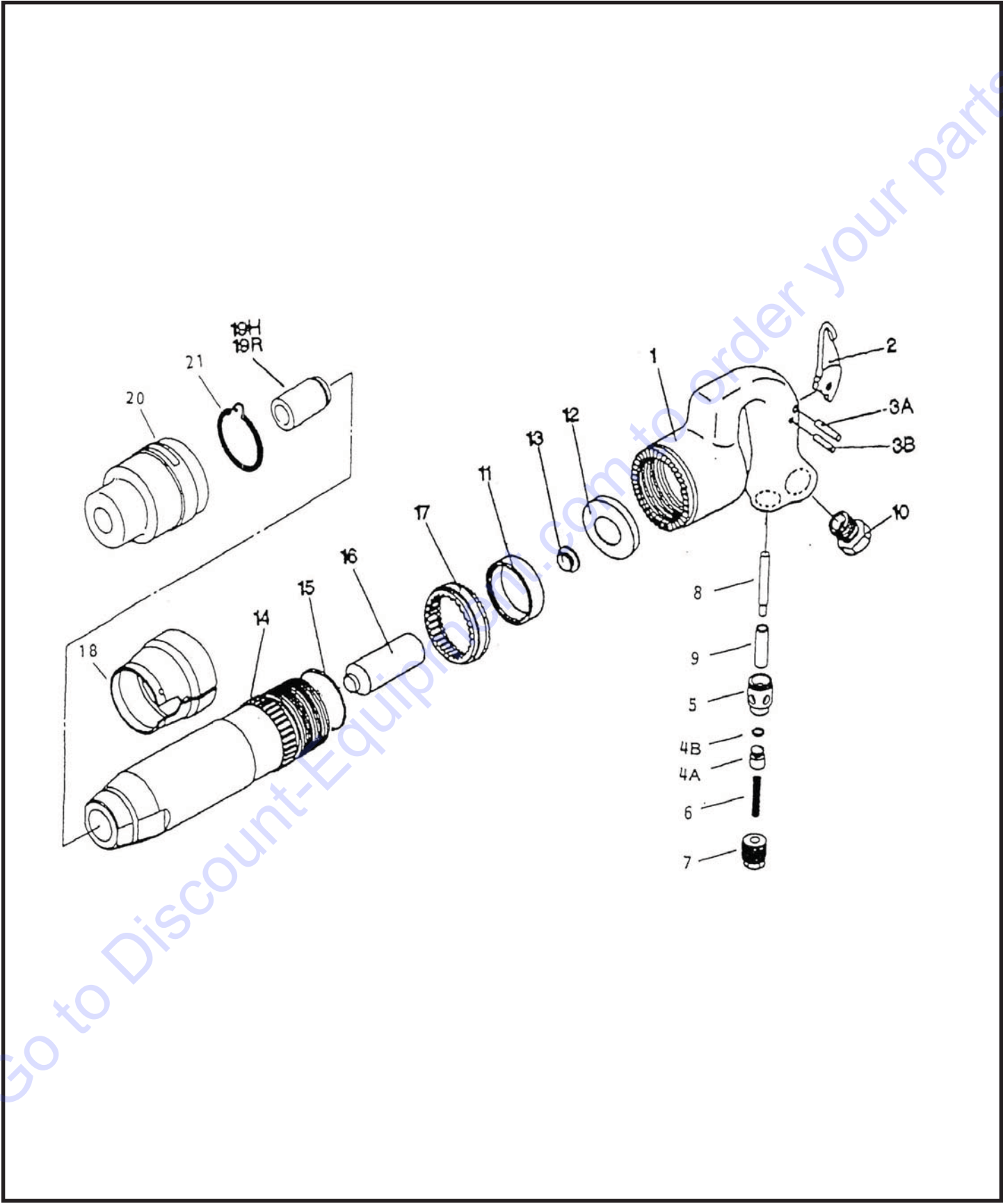


Toku THA-1,2,3,4 Chipping Hammer

www.Discount-Equipment.com





Toku THA-1,2,3,4 Chipping Hammer

| Index | Tamco | Harper | Jet | Description |
|-------|-----------|------------------------|-----------|--|
| 1 | Y10270010 | | | Handle (Bare) |
| | Y1027001A | | | Handle CP (No. 1-10) |
| 2 | Y10212020 | S729564 | 21A100200 | Lever |
| 3A | Y10212030 | S729570 | 21A1003A0 | Roll Pin 6 x 20 |
| 3B | Y30104030 | S729563 | 21A1003B0 | Roll Pin 5 x 20 |
| 4A | Y10212050 | S729559 60504 | 21A1004A0 | Throttle Valve |
| 4B | Y10212060 | S729304 | 21A1004B0 | Throttle O-Ring P-7 |
| 5 | Y10212070 | HH-603 | 21A100500 | Throttle Valve Bushing |
| 6 | Y10301070 | S729558 | 21A100600 | Throttle Valve Spring |
| 7 | Y10212090 | S729557 | 21A100700 | Throttle Valve Cap |
| 8 | Y10212100 | S729561 S729561HARP | 21A100800 | Push Rod Push Rod for Harper and Toku |
| 9 | Y10212110 | 60509 | 21A100900 | Push Rod Sleeve |
| 10 | Y10212120 | | 21A10100 | Screw Bushing NPT |
| 11 | Y10246140 | 60537 | 21A11300 | Ring Valve |
| 12 | Y10270120 | | | Plate Valve |
| 13 | Y10270130 | | | Valve Seat |
| 14 | Y10274140 | | | Cylinder THA-1B |
| | Y10276140 | | | Cylinder THA-2B |
| | Y10270140 | | | Cylinder THA-3B |
| | Y10278140 | | | Cylinder THA-4B |
| 15 | Y10212320 | 4179 | 21A103200 | O-Ring P-50 |
| 16 | Y10212210 | 60520 | 21A102000 | Piston THA-1B |
| | Y10214210 | S729572 | 21A202200 | Piston THA-2B |
| | Y10216210 | S729573 | 21A302000 | Piston THA-3B |
| | Y10218210 | S729574 | 21A402000 | Piston THA-4B |
| 17 | Y10270170 | | | Clutch |
| 18 | Y30112200 | | | Exhaust Band |
| 19H | Y1021224H | S729586 | 21A1021H0 | Shank Bushing (Hex) |
| 19R | Y1021224R | S729585 | 21A1021R0 | Shank Bushing (Round) |
| 20 | T25119002 | S729583 T25119002 | 21A122900 | Retainer |
| 21 | Y10212300 | S729584 | 21A123000 | Retainer Spring |

****ALL PRICING IS SUBJECT TO CHANGE WITHOUT NOTICE****

PARTS FINDER

**Search Website
by Part Number**



**Search Manual
Library For Parts
Manual & Lookup Part
Numbers – Purchase
or Request Quote**

Search Manuals

Enter your information to search for a manual or to purchase a manual or parts.

* Brand:

* Model:

* Serial:

* Part Number:

SEARCH

**Can't Find Part or
Manual? Request Help
by Manufacturer,
Model & Description**

Parts Order Form

Please fill in the following information:

Manufacturer:

Model:

Description:

Quantity:

Part Number:

Part Name:

Part Description:

Part Category:

Part Location:

Part Status:

Part Condition:

Part Material:

Part Color:

Part Weight:

Part Dimensions:

Part Price:

Part Notes:

Submit

Discount-Equipment.com is your online resource for quality parts & equipment.

Florida: **561-964-4949** Outside Florida TOLL FREE: **877-690-3101**

Need parts?

Click on this link: <http://www.discount-equipment.com/category/5443-parts/> and choose one of the options to help get the right parts and equipment you are looking for. Please have the machine model and serial number available in order to help us get you the correct parts. If you don't find the part on the website or on one of the online manuals, please fill out the request form and one of our experienced staff members will get back to you with a quote for the right part that your machine needs.

We sell worldwide for the brands: Genie, Terex, JLG, MultiQuip, Mikasa, Essick, Whiteman, Mayco, Toro Stone, Diamond Products, Generac Magnum, Airman, Haulotte, Barreto, Power Blanket, Nifty Lift, Atlas Copco, Chicago Pneumatic, Allmand, Miller Curber, Skyjack, Lull, Skytrak, Tsurumi, Husquvarna Target, Stow, Wacker, Sakai, Mi-T-M, Sullair, Basic, Dynapac, MBW, Weber, Bartell, Bennar Newman, Haulotte, Ditch Runner, Menegotti, Morrison, Contec, Buddy, Crown, Edco, Wyco, Bomag, Laymor, EZ Trench, Bil-Jax, F.S. Curtis, Gehl Pavers, Heli, Honda, ICS/PowerGrit, IHI, Partner, Imer, Clipper, MMD, Koshin, Rice, CH&E, General Equipment, Amida, Coleman, NAC, Gradall, Square Shooter, Kent, Stanley, Tamco, Toku, Hatz, Kohler, Robin, Wisconsin, Northrock, Oztec, Toker TK, Rol-Air, APT, Wylie, Ingersoll Rand / Doosan, Innovatech, Con X, Ammann, Mecalac, Makinex, Smith Surface Prep, Small Line, Wanco, Yanmar