

# PARTS MANUAL



## MIX N' GO

**MODELS MC3SEA, MC3SBA (B&S)  
MINI CONCRETE STEEL DRUM MIXERS**

**MODELS MC3PEA, MC3PBA (B&S)  
MINI CONCRETE PLASTIC DRUM MIXERS**

**EFFECTIVE S/N 230502698**

Revision #5 (12/08/21)



THIS MANUAL MUST ACCOMPANY THE EQUIPMENT AT ALL TIMES.

# PARTS FINDER

**Search Website  
by Part Number**



**Search Manual  
Library For Parts  
Manual & Lookup Part  
Numbers – Purchase  
or Request Quote**

**Search Manuals**

Enter your information to help us find the right parts manual for your machine.

\* Brand:

\* Model:

\* Serial:

\* Part Number:

SEARCH

**Can't Find Part or  
Manual? Request Help  
by Manufacturer,  
Model & Description**

**Parts Order Form**

Please fill in the following information to help us find the right part for your machine.

Manufacturer:	<input type="text"/>
Model:	<input type="text"/>
Description:	<input type="text"/>
Part Number:	<input type="text"/>
Quantity:	<input type="text"/>
Notes:	<input type="text"/>

Discount-Equipment.com is your online resource for quality parts & equipment.

Florida: **561-964-4949** Outside Florida TOLL FREE: **877-690-3101**

**Need parts?**

Click on this link: <http://www.discount-equipment.com/category/5443-parts/> and choose one of the options to help get the right parts and equipment you are looking for. Please have the machine model and serial number available in order to help us get you the correct parts. If you don't find the part on the website or on one of the online manuals, please fill out the request form and one of our experienced staff members will get back to you with a quote for the right part that your machine needs.

We sell worldwide for the brands: Genie, Terex, JLG, MultiQuip, Mikasa, Essick, Whiteman, Mayco, Toro Stone, Diamond Products, Generac Magnum, Airman, Haulotte, Barreto, Power Blanket, Nifty Lift, Atlas Copco, Chicago Pneumatic, Allmand, Miller Curber, Skyjack, Lull, Skytrak, Tsurumi, Husquvarna Target, Stow, Wacker, Sakai, Mi-T-M, Sullair, Basic, Dynapac, MBW, Weber, Bartell, Bennar Newman, Haulotte, Ditch Runner, Menegotti, Morrison, Contec, Buddy, Crown, Edco, Wyco, Bomag, Laymor, EZ Trench, Bil-Jax, F.S. Curtis, Gehl Pavers, Heli, Honda, ICS/PowerGrit, IHI, Partner, Imer, Clipper, MMD, Koshin, Rice, CH&E, General Equipment, Amida, Coleman, NAC, Gradall, Square Shooter, Kent, Stanley, Tamco, Toku, Hatz, Kohler, Robin, Wisconsin, Northrock, Oztec, Toker TK, Rol-Air, APT, Wylie, Ingersoll Rand / Doosan, Innovatech, Con X, Ammann, Mecalac, Makinex, Smith Surface Prep, Small Line, Wanco, Yanmar

# TABLE OF CONTENTS

---

## Multiquip Mix N' Go Portable Concrete Mixer

Explanation Of Code In Remarks Column.....	4
Suggested Spare Parts .....	5

### Component Drawings

Nameplate And Decals Assembly .....	6-7
Mixer Assembly (Steel Drum) .....	8-11
Mixer Assembly (Plastic Drum) .....	12-15

#### NOTICE

Specifications and part numbers are subject to change without notice.

Go to [Discount-Equipment.com](http://Discount-Equipment.com) to order your parts

# EXPLANATION OF CODE IN REMARKS COLUMN

The following section explains the different symbols and remarks used in the Parts section of this manual. Use the help numbers found on the back page of the manual if there are any questions.

## NOTICE

The contents and part numbers listed in the parts section are subject to change **without notice**. Multiquip does not guarantee the availability of the parts listed.

## SAMPLE PARTS LIST

NO.	PART NO.	PART NAME	QTY.	REMARKS
1	12345	BOLT .....	1	INCLUDES ITEMS W/%
2%		WASHER, 1/4 IN. ....		NOT SOLD SEPARATELY
2%	12347	WASHER, 3/8 IN. ...	1	MQ-45T ONLY
3	12348	HOSE .....	A/R	MAKE LOCALLY
4	12349	BEARING .....	1	S/N 2345B AND ABOVE

## NO. Column

**Unique Symbols** — All items with same unique symbol (@, #, +, %, or >) in the number column belong to the same assembly or kit, which is indicated by a note in the “Remarks” column.

**Duplicate Item Numbers** — Duplicate numbers indicate multiple part numbers, which are in effect for the same general item, such as different size saw blade guards in use or a part that has been updated on newer versions of the same machine.

## NOTICE

When ordering a part that has more than one item number listed, check the remarks column for help in determining the proper part to order.

## PART NO. Column

**Numbers Used** — Part numbers can be indicated by a number, a blank entry, or TBD.

TBD (To Be Determined) is generally used to show a part that has not been assigned a formal part number at the time of publication.

A blank entry generally indicates that the item is not sold separately or is not sold by Multiquip. Other entries will be clarified in the “Remarks” Column.

## QTY. Column

**Numbers Used** — Item quantity can be indicated by a number, a blank entry, or A/R.

A/R (As Required) is generally used for hoses or other parts that are sold in bulk and cut to length.

A blank entry generally indicates that the item is not sold separately. Other entries will be clarified in the “Remarks” Column.

## REMARKS Column

Some of the most common notes found in the “Remarks” Column are listed below. Other additional notes needed to describe the item can also be shown.

**Assembly/Kit** — All items on the parts list with the same unique symbol will be included when this item is purchased.

Indicated by:

“INCLUDES ITEMS W/(unique symbol)”

**Serial Number Break** — Used to list an effective serial number range where a particular part is used.

Indicated by:

“S/N XXXXX AND BELOW”

“S/N XXXX AND ABOVE”

“S/N XXXX TO S/N XXX”

**Specific Model Number Use** — Indicates that the part is used only with the specific model number or model number variant listed. It can also be used to show a part is NOT used on a specific model or model number variant.

Indicated by:

“XXXXX ONLY”

“NOT USED ON XXXX”

**“Make/Obtain Locally”** — Indicates that the part can be purchased at any hardware shop or made out of available items. Examples include battery cables, shims, and certain washers and nuts.

**“Not Sold Separately”** — Indicates that an item cannot be purchased as a separate item and is either part of an assembly/kit that can be purchased, or is not available for sale through Multiquip.

## SUGGESTED SPARE PARTS

---

### MIX N' GO MIXER WITH B&S 3.5HP GASOLINE ENGINE AND BALDOR 3/4 ELECTRIC MOTOR

1 to 3 units

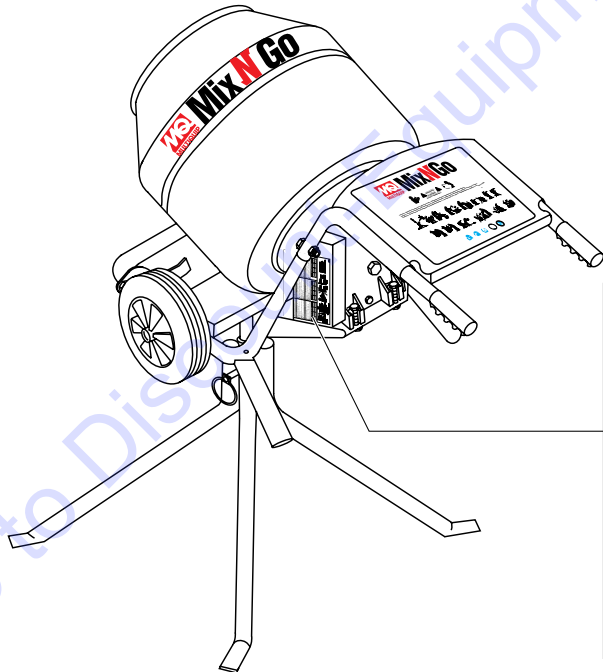
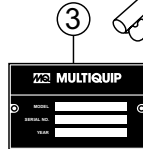
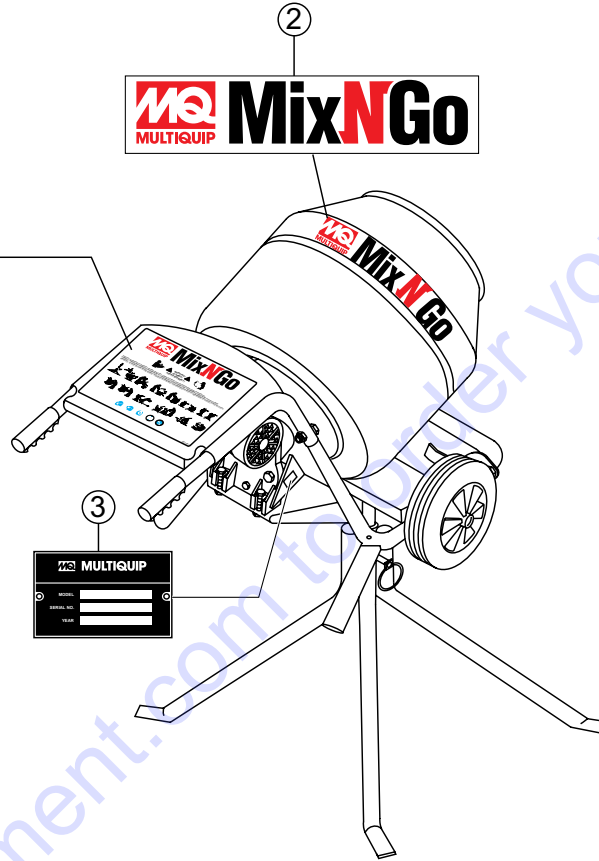
Qty.	P/N	Description
2.....	DM1840.....	V-BELT, A23 (ELECTRIC MOTOR)
2.....	MS-01.....	V-BELT, A24 (GASOLINE)
2.....	34712.....	V-BELT, A25 (GASOLINE, USED W/ B&S MODEL 0831320181B1)

#### NOTICE

Part numbers on this Suggested Spare Parts list may supersede/replace the part numbers shown in the following parts lists.

Go to Discount-Equipment.com to order your parts

# NAMEPLATE AND DECALS ASSY.



⚠️ WARNING!	⚠️ ADVERTENCIA!	⚠️ AVERTISSEMENT!																																				
<p>1. Read owner's manual before operating mixer. 2. Never unfastened and unrolled power away from mixer during operation. 3. Make sure all safety devices (guards) are in place before mixer is started. 4. Keep hands and fingers away from moving objects. 5. NEVER leave mixer unattended when operating. 6. ALWAYS check fuel filter before starting mixer.</p>	<p>1. Lea el manual de operación antes de usar la mezcladora. 2. Montaje o desmontaje que no sea autorizado o capacidad excesiva de la mezcladora durante el funcionamiento de la mezcladora. 3. Asegúrese siempre de que los dispositivos de seguridad estén funcionando apropiadamente antes de usar la mezcladora. 4. Mantenga las manos y dedos alejados de objetos en movimiento. 5. NUNCA se aleje de la mezcladora mientras está, está trabajando o se está moviendo. 6. SIEMPRE revise el filtro antes de comenzar la mezcla.</p>	<p>1. Lisez le manuel d'utilisation avant d'utiliser le mélangeur. 2. Si un personnel qualifié que êtes autorisé à le trouver à proximité du mélangeur quand il est en opération. 3. Assurez vous que tous les dispositifs de sécurité sont en place avant de mettre le mélangeur en marche. 4. Gardez les mains et doigts loin de tout ce qui se déplace. 5. NE LAISSEZ jamais le mélangeur sans surveillance quand il est en opération. 6. VÉRIFIEZ toujours la condition avant de mettre le mélangeur en marche.</p>																																				
<p><b>GASOLINE ENGINE</b></p> <ul style="list-style-type: none"> <li>Make sure engine is turned off and spark plug wire is disconnected before cleaning mixer.</li> <li>DO NOT operate mixer in an enclosed area, proper ventilation is required.</li> <li>ALWAYS stop the engine and allow engine to cool before refueling fuel or oil.</li> <li>ALWAYS check fuel, oil and air filter before starting engine.</li> </ul>	<p><b>MAGUINAS DE GASOLINA</b></p> <ul style="list-style-type: none"> <li>Asegure que el motor está apagado y el alambre de la bujía está desconectado antes de limpiar la mezcladora.</li> <li>NO opere la mezcladora en una área cerrada, se requiere usar en una área que tenga adecuada ventilación.</li> <li>SIEMPRE apague la máquina y permita que se enfríe antes de ponerle gasolina o aceite.</li> <li>SIEMPRE revise la gasolina, aceite, y el filtro del aire antes de comenzar la mezcla.</li> </ul>	<p><b>MOTEUR À ESSENCE</b></p> <ul style="list-style-type: none"> <li>Assurez vous que le moteur est arrêté et que le fil de la bougie est débranché avant de nettoyer le mélangeur.</li> <li>NE FONCTIONNEZ pas le mélangeur dans un endroit fermé, il est nécessaire de travailler dans un endroit avec une bonne aération.</li> <li>VÉRIFIEZ toujours le niveau d'essence et d'huile ainsi que le filtre à air avant de mettre le moteur en marche.</li> </ul>																																				
<p><b>ELECTRIC MOTOR</b></p> <ul style="list-style-type: none"> <li>Make sure power cord has been disconnected from power source before cleaning mixer.</li> <li>This electric motor is for 115 VAC operation only.</li> <li>ALWAYS use an extension cord of proper size, see chart below.</li> </ul>	<p><b>MOTOR ELECTRICO</b></p> <ul style="list-style-type: none"> <li>Asegúrese que el cable de corriente está de empacar a limpiar la mezcladora.</li> <li>Este motor eléctrico está solamente capacitado para corriente alterna de 115 voltios.</li> <li>SIEMPRE use el tamaño de extensión de alambre indicado como requisito de diagrama adjunto.</li> </ul>	<p><b>MOTEUR ELECTRIQUE</b></p> <ul style="list-style-type: none"> <li>Assurez vous toujours que le câble a été débranché de la prise de courant avant de nettoyer le mélangeur.</li> <li>Ce moteur électrique a été conçu pour opération à 115 volts seulement.</li> <li>Il faut toujours utiliser une rallonge de taille appropriée, veuillez à vous référer au diagramme suivant.</li> </ul>																																				
<p><b>EXTENSION CORD SIZE</b></p> <table border="1"> <tr> <th>No. 12 Wire</th> <th>No. 10 Wire</th> <th>No. 8 Wire</th> <th>No. 6 Wire</th> </tr> <tr> <td>50 feet</td> <td>75 feet</td> <td>100 feet</td> <td>200 feet</td> </tr> <tr> <td>15.24 meters</td> <td>22.86 meters</td> <td>30.48 meters</td> <td>60.96 meters</td> </tr> </table>	No. 12 Wire	No. 10 Wire	No. 8 Wire	No. 6 Wire	50 feet	75 feet	100 feet	200 feet	15.24 meters	22.86 meters	30.48 meters	60.96 meters	<p><b>TAMANO DE EXTENSION</b></p> <table border="1"> <tr> <th>Alambre Numero 12</th> <th>Alambre Numero 10</th> <th>Alambre Numero 8</th> <th>Alambre Numero 6</th> </tr> <tr> <td>50 pies</td> <td>75 pies</td> <td>100 pies</td> <td>200 pies</td> </tr> <tr> <td>15.24 metros</td> <td>22.86 metros</td> <td>30.48 metros</td> <td>60.96 metros</td> </tr> </table>	Alambre Numero 12	Alambre Numero 10	Alambre Numero 8	Alambre Numero 6	50 pies	75 pies	100 pies	200 pies	15.24 metros	22.86 metros	30.48 metros	60.96 metros	<p><b>TAILLE DE LA RALLONGE</b></p> <table border="1"> <tr> <th>Cable Numero 12</th> <th>Cable Numero 10</th> <th>Cable Numero 8</th> <th>Cable Numero 6</th> </tr> <tr> <td>50 mètres</td> <td>75 mètres</td> <td>100 mètres</td> <td>200 mètres</td> </tr> <tr> <td>15.24 mètres</td> <td>22.86 mètres</td> <td>30.48 mètres</td> <td>60.96 mètres</td> </tr> </table>	Cable Numero 12	Cable Numero 10	Cable Numero 8	Cable Numero 6	50 mètres	75 mètres	100 mètres	200 mètres	15.24 mètres	22.86 mètres	30.48 mètres	60.96 mètres
No. 12 Wire	No. 10 Wire	No. 8 Wire	No. 6 Wire																																			
50 feet	75 feet	100 feet	200 feet																																			
15.24 meters	22.86 meters	30.48 meters	60.96 meters																																			
Alambre Numero 12	Alambre Numero 10	Alambre Numero 8	Alambre Numero 6																																			
50 pies	75 pies	100 pies	200 pies																																			
15.24 metros	22.86 metros	30.48 metros	60.96 metros																																			
Cable Numero 12	Cable Numero 10	Cable Numero 8	Cable Numero 6																																			
50 mètres	75 mètres	100 mètres	200 mètres																																			
15.24 mètres	22.86 mètres	30.48 mètres	60.96 mètres																																			
<p>REMOVE BOLT AND FILL WITH EP 90 GRADE OIL. RENDERER EL TORNILLO Y LLENAR CON ACEITE DE GRADO 90 EP. OÙTES-LE BOLLON ET REMPLISSEZ CE TROU AVEC UN GRAISSE EP 90 A ENGRENAGES. CHECK DAILY REVISEAR QUOTIDIANO VÉRIFIEZ QUOTIDIENNEMENT</p>	<p>NEVER OPERATE MIXER WITH VIBRET COVER REMOVED. NUNCA OPERAR LA MEZCLADORA SIN LA COBERTURA DE BANDA-V REMOVIDA. NE JAMAIS LE VALVEUR AVEC LE COUVERCLE DE LA COUVREUSE.</p>																																					

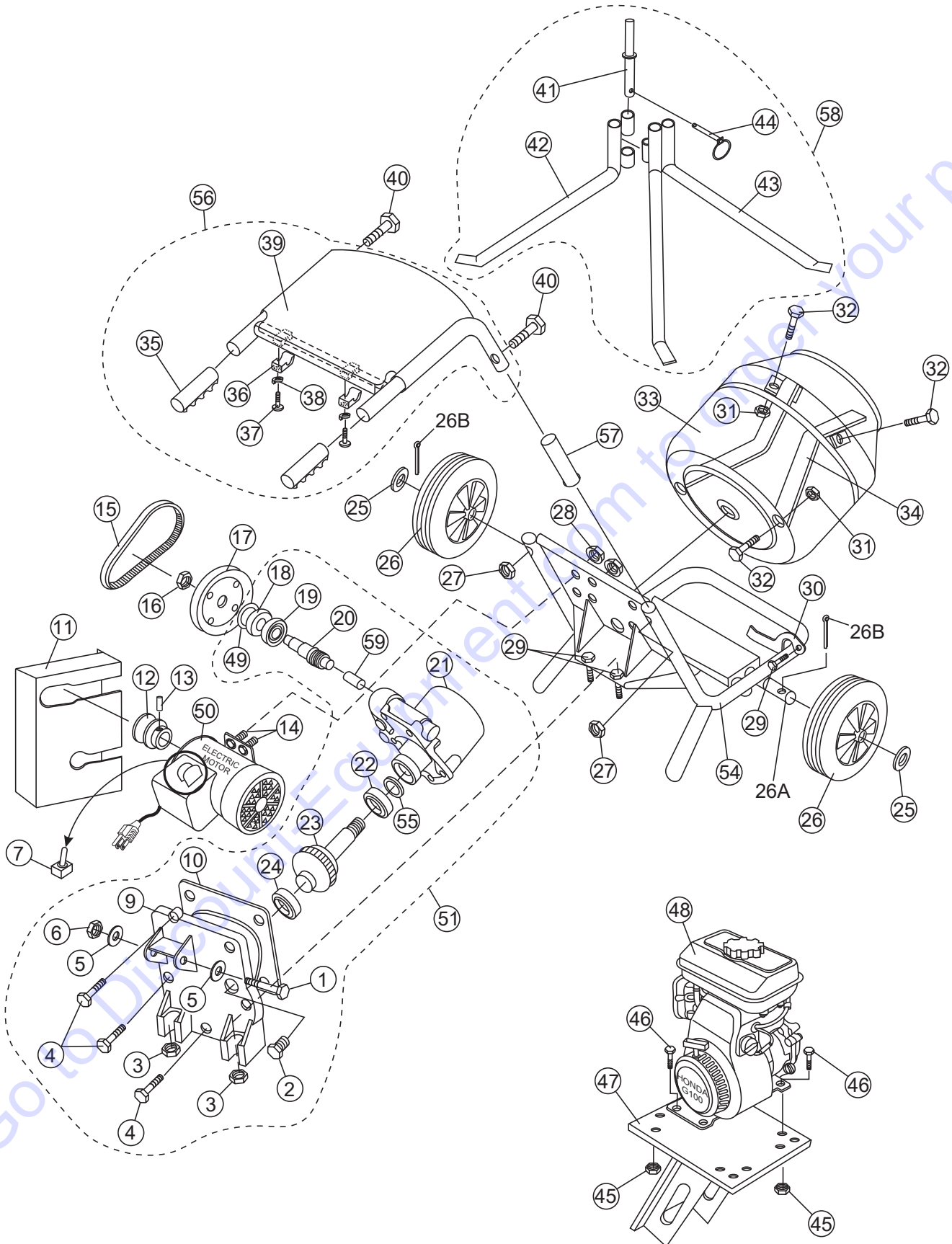
## NAMEPLATE AND DECALS ASSY.

---

<u>NO.</u>	<u>PART NO.</u>	<u>PART NAME</u>	<u>QTY.</u>	<u>REMARKS</u>
1	DCL251	DECAL: WARNING MQ	1	
2	510165	DECAL: MQ MIX N GO	1	
3		DECAL: NAMEPLATE.....	1	..CONTACT DISCOUNT-EQUIPMENT.
4	DCL250	DECAL: WARNING MAINTENANCE	1	

Go to Discount-Equipment.com to order your parts

# MIXER ASSY. (STEEL DRUM)

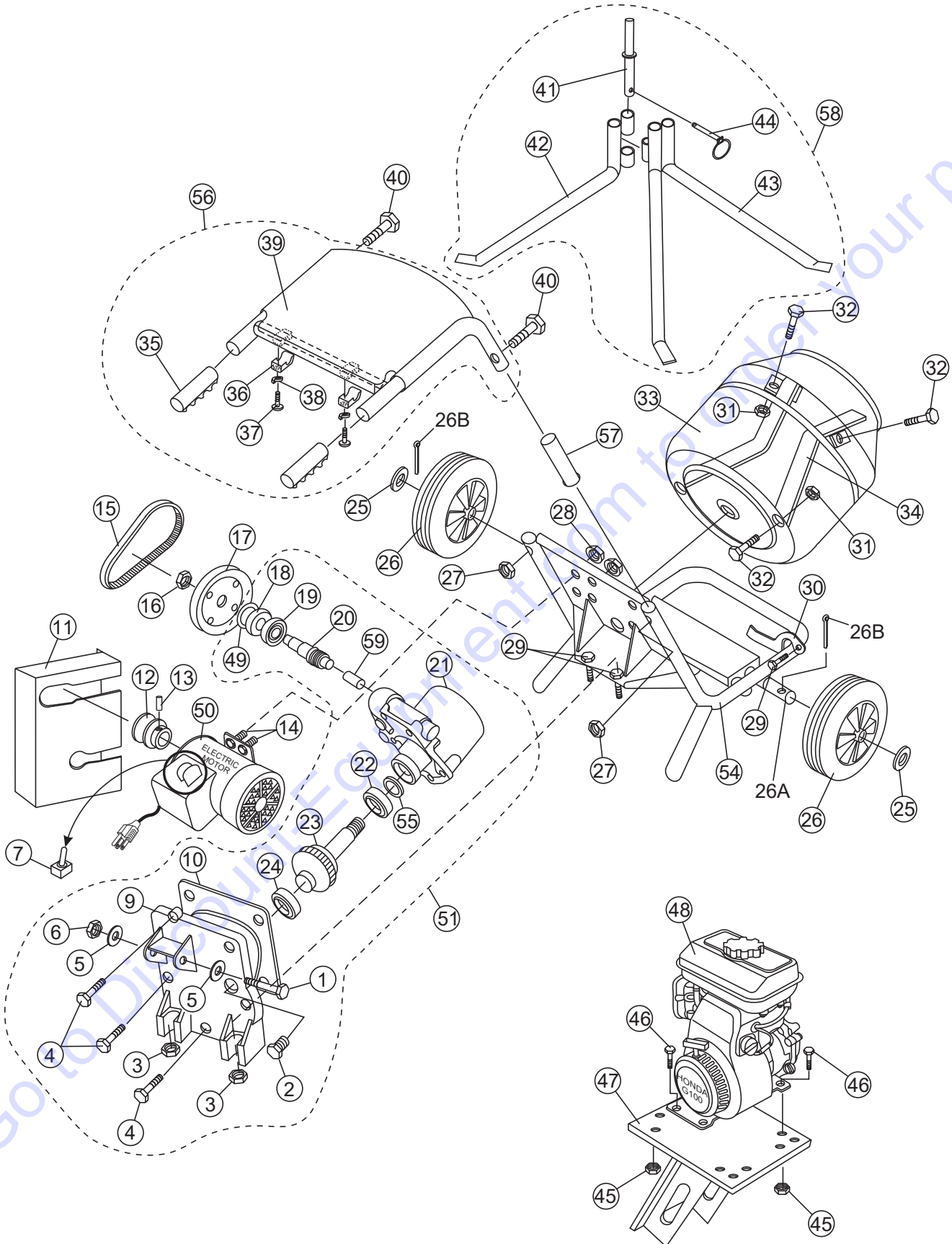




## MIXER ASSY. (STEEL DRUM)

<u>NO.</u>	<u>PART NO.</u>	<u>PART NAME</u>	<u>QTY.</u>	<u>REMARKS</u>
1#	DM3150	HEX HEAD BOLT M12 x 70	1	
2#	DM1356	OIL FILLER PLUG M14 x 2 x 15L	1	
3#	DM1912	HEX NUT M10	2	
4#	DM355	HEX HEAD BOLT M8 x P1.25 x 24L	3	
5#	DM3151	FLAT WASHER M12	2	
6#	DM3152	HEX NUT M12	1	
7	SP9012	TOGGLE SWITCH	1	
9#	DM1320	GEAR BOX BACK COVER	1	
10#	DM1357	GEAR BOX SEAL	1	
11	DM1380	BELT GUARD STEEL, GASOLINE ENGINE	1	
11	DM1830P	BELT GUARD PLASTIC, ELECTRIC	1	
12	DM1821	DRIVE PULLEY .....	1	ELECTRIC MOTOR ONLY
13	DM1822	SET SCREW M6 x 12L	1	
14	DM2020	BOLT M6 x 18	2	
15	DM1840	V-BELT, A23 .....	1	ELECTRIC MOTOR ONLY
16	DM1332	NUT M12	1	
17	DM1810	GEARBOX PULLEY	1	
18#	DM1353	OIL SEAL 20 x 42.5 x 10	1	
19#	DM1352	BEARING RACE 6004	1	
20#	DM1331	WORM GEAR	1	
21#	DM1310	GEARBOX CASE	1	
22#	DM1351	BEARING RACE 6006	1	
23#	DM1333	GEAR & SHAFT	1	
24#	DM1351	BEARING RACE 6006	1	
25	DM1741	WASHER	2	
26	DM1730	TIRE, PNEUMATIC	2	
26A	DM1740	AXLE	1	
26B	DM1742	COTTER PIN		
27	DM1641	HEX NUT M8	2	
28	DM2021	NUT	2	
29	DM1911	HEX HEAD BOLT M10 x P1.5 x 40L	3	
30	DM1141	DRUM LOCK	1	

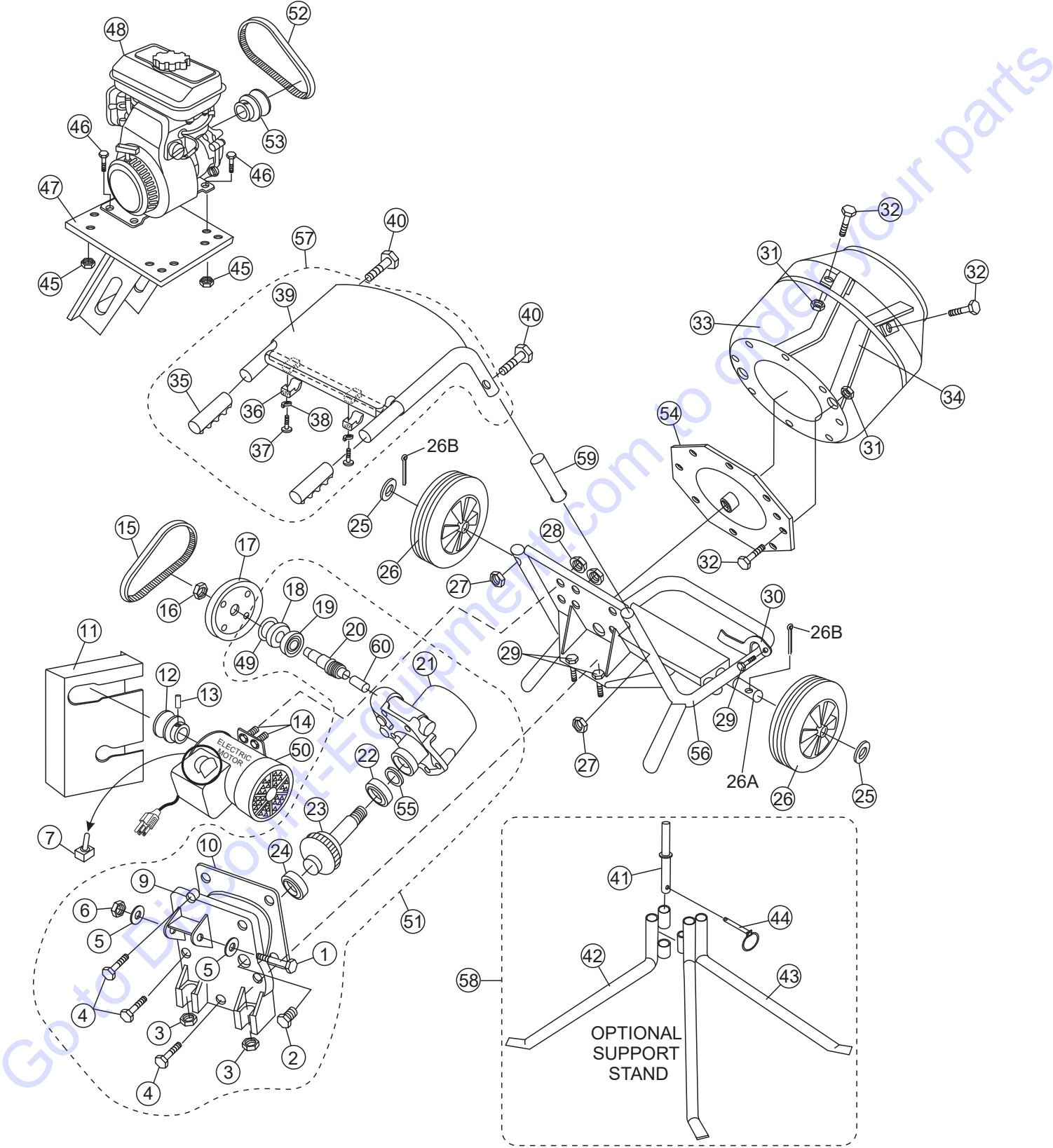
# MIXER ASSY. (STEEL DRUM CONT'D.)



## MIXER ASSY. (STEEL DRUM CONT'D.)

<u>NO.</u>	<u>PART NO.</u>	<u>PART NAME</u>	<u>QTY.</u>	<u>REMARKS</u>
31	DM1527	HEX NUT M10	2	
32	DM1524	BOLT	2	
33	DM1400	STEEL BARREL	1	
34	DM1414	BLADE, STEEL BARREL	2	
35@	DM1613	HANDLE GRIP, RUBBER	2	
36@	DM1630	TOP COVER CLAMP	2	
37@	DM1631	SCREW 5.5 x 25	2	
38@	DM1632	LOCK WASHER	2	
39@	DM1620	TOP COVER, PLASTIC	1	
40	DM1640	BOLT M8 SPECIAL DOME HEAD	2	
41\$	DM1221	STAND, ADAPTER	1	
42\$	DM1212	STAND, BOTTOM LH (2 BOSS)	1	
43\$	DM1213	STAND, BOTTOM RH (1 BOSS)	1	
44\$	DM1231	CLIP LINCH PIN	1	
45	DM3050	NUT M8BOLT M8 x 35	4	
46	DM3051	BOLT M8 x 35	4	
47	DM3000	ENGINE MOUNT (GASOLINE)	1	
48	0831320181B1	ENGINE, B&S.....	1	REPLACES ITEMS W/ %
48%	9123211040E1	ENGINE, 3.5 HP B&S ENGINE 3.5HP N/L/S ....	1	NO LONGER AVAILABLE
48%	0933320180E1	ENGINE, 3.5 HP B&S ENGINE 3.5HP N/L/S ....	1	NO LONGER AVAILABLE
48%	0943320127B1	ENGINE, 3.5 HP B&S ENGINE 3.5HP N/L/S ....	1	NO LONGER AVAILABLE
48	0831320181B1	B&S ENGINE (EPA 2011) 3.5 HP	1	
49#	DM1358	RETAINER RING	1	
50	34579	MOTOR, ELECTRIC 3/4 H.P.	1	
51	DM1300	GEARBOX ASSEMBLY .....	1	INCLUDES ITEMS/#
52	MS01	V-BELT, A24 .....	1	GASOLINE ENGINE ONLY
52	34712	V-BELT, A25 .....	1	USEDW/ENG. P/N0831320181B1
53	EM901006	DRIVE PULLEY .....	1	GASOLINE ENGINE ONLY
54	DM1105	MAIN FRAME	1	
55#	DM1354	SEAL, OIL	1	
56	DM1600	PLASTIC COVER ASSY. ....	1	INCLUDES ITEMS W/@
57	34588	EXTENSION, HANDLE.....	2	USEDW/ENG. P/N0831320181B1
58	DM1200	STAND ASSY.....	1	INCLUDES ITEMS W/ \$
59#	DM1340	BRONZE BUSHING	1	

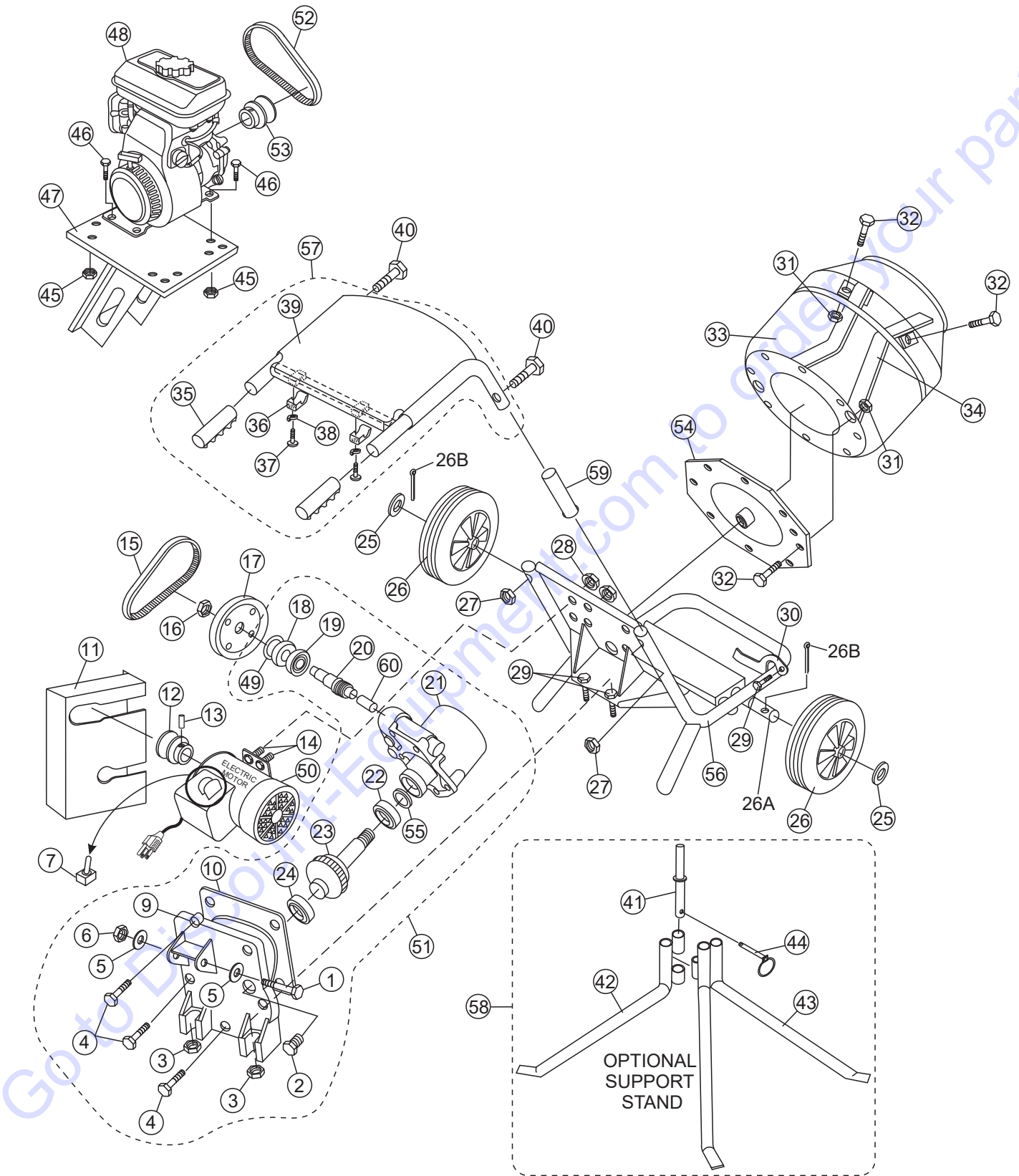
# MIXER ASSY. (PLASTIC DRUM)



## MIXER ASSY. (PLASTIC DRUM)

<u>NO.</u>	<u>PART NO.</u>	<u>PART NAME</u>	<u>QTY.</u>	<u>REMARKS</u>
1#	DM3150	HEX HEAD BOLT M12 x 70	1	
2#	DM1356	OIL FILLER PLUG M14 x 2 x 15L	1	
3#	DM1912	HEX NUT M10	2	
4#	DM355	HEX HEAD BOLT M8 x P1.25 x 24L	3	
5#	DM3151	FLAT WASHER M12	2	
6#	DM3152	HEX NUT M12	1	
7	SP9012	TOGGLE SWITCH	1	
9#	DM1320	GEAR BOX BACK COVER	1	
10#	DM1357	GEAR BOX SEAL	1	
11	DM1380	BELT GUARD	1	
12	DM1821	DRIVE PULLEY .....	1	ELECTRIC MOTOR ONLY
13	DM1822	SET SCREW M6 x 12L	1	
14	DM2020	BOLT M6 x 18	2	
15	DM1840	V-BELT, A23 .....	1	ELECTRIC MOTOR ONLY
16	DM1332	NUT M12	1	
17	DM1810	GEARBOX PULLEY	1	
18#	DM1353	OIL SEAL 20 x 42.5 x 10	1	
19#	DM1352	BEARING RACE 6004	1	
20#	DM1331	WORM GEAR	1	
21#	DM1310	GEARBOX CASE	1	
22#	DM1351	BEARING RACE 6006	1	
23#	DM1333	GEAR & SHAFT	1	
24#	DM1351	BEARING RACE 6006	1	
25	DM1741	WASHER	2	
26	DM1730	TIRE, PNEUMATIC	2	
26A	DM1740	AXLE	1	
26B	DM1742	COTTER PIN	2	
27	DM1641	HEX NUT M8	2	
28	DM2021	NUT	2	
29	DM1911	HEX HEAD BOLT M10 x P1.5 x 40L	3	
30	DM1141	DRUM LOCK	1	

# MIXER ASSY. (PLASTIC DRUM CONT'D.)



## MIXER ASSY. (PLASTIC DRUM CONT'D.)

<u>NO.</u>	<u>PART NO.</u>	<u>PART NAME</u>	<u>QTY.</u>	<u>REMARKS</u>
31	DM1527	HEX NUT M10	12	
32	DM1524	BOLT	12	
33	DM1510	PLASTIC BARREL	1	
34	DM1531	BLADE, BARREL	2	
35@	DM1613	HANDLE GRIP, RUBBER	2	
36@	DM1630	TOP COVER CLAMP	2	
37@	DM1631	SCREW 5.5 x 25	2	
38@	DM1632	LOCK WASHER	2	
39@	DM1620	TOP COVER, PLASTIC	1	
40	DM1640	BOLT M8 SPECIAL DOME HEAD	2	
41\$	DM1221	STAND, ADAPTER	1	
42\$	DM1212	STAND, BOTTOM LH (2 BOSS)	1	
43\$	DM1213	STAND, BOTTOM RH (1 BOSS)	1	
44\$	DM1231	CLIP LINCH PIN	1	
45	DM3050	NUT, M8 x 35	4	
46	DM3051	BOLT, M8 x 35	4	
47	DM3000	ENGINE MOUNT (GASOLINE)	1	
48	0831320181B1	ENGINE, B&S.....	1	REPLACES ITEMS W/ %
48%	9123211040E1	ENGINE, 3.5 HP B&S N/L/S.....	1	NO LONGER AVAILABLE
48%	0933320180E1	ENGINE, 3.5 HP B&S N/L/S.....	1	NO LONGER AVAILABLE
48%	0943320127B1	ENGINE, 3.5 HP B&S N/L/S.....	1	NO LONGER AVAILABLE
49#	DM1358	RETAINER RING	1	
50	34579	MOTOR, ELECTRIC 3/4 HP	1	
51	DM1300	GEAR BOX ASSEMBLY.....	1	INCLUDES ITEMS W/ #
52	MS01	V-BELT, A24.....	1	GASOLINE ENGINE ONLY
52	34712	V-BELT, A25.....	1	USEDW/ENG.P/N0831320181B1
53	EM901006	DRIVE PULLEY.....	1	GASOLINE ENGINE ONLY
54	DM1521	MOUNTING PLATE	1	
55#	DM1354	SEAL, OIL	1	
56	DM1105	MAIN FRAME	1	
57	DM1600	PLASTIC COVER ASSY.....	1	INCLUDES ITEMS W/ @
58	DM1200	STAND ASSEMBLY.....	1	INCLUDES ITEMS W/ \$
59	34588	EXTENSION HANDLE.....	2	USEDW/ENG.P/N0831320181B1
60#	DM1340	BRONZE BUSHING	1	

# PARTS FINDER

**Search Website  
by Part Number**



**Search Manual  
Library For Parts  
Manual & Lookup Part  
Numbers – Purchase  
or Request Quote**

**Search Manuals**

Enter your information to search for a manual or to purchase a manual or parts.

\* Brand:

\* Model:

\* Serial:

\* Part Number:

SEARCH

**Can't Find Part or  
Manual? Request Help  
by Manufacturer,  
Model & Description**

**Parts Order Form**

Please fill in the following information to request help finding a part or manual.

Manufacturer:

Model:

Description:

Quantity:

Part Number:

Part Name:

Part Description:

Part Category:

Part Location:

Part Status:

Part Condition:

Part Material:

Part Color:

Part Weight:

Part Dimensions:

Part Price:

Part Availability:

Part Lead Time:

Part Notes:

Submit

Discount-Equipment.com is your online resource for quality parts & equipment.

Florida: **561-964-4949** Outside Florida TOLL FREE: **877-690-3101**

**Need parts?**

Click on this link: <http://www.discount-equipment.com/category/5443-parts/> and choose one of the options to help get the right parts and equipment you are looking for. Please have the machine model and serial number available in order to help us get you the correct parts. If you don't find the part on the website or on one of the online manuals, please fill out the request form and one of our experienced staff members will get back to you with a quote for the right part that your machine needs.

We sell worldwide for the brands: Genie, Terex, JLG, MultiQuip, Mikasa, Essick, Whiteman, Mayco, Toro Stone, Diamond Products, Generac Magnum, Airman, Haulotte, Barreto, Power Blanket, Nifty Lift, Atlas Copco, Chicago Pneumatic, Allmand, Miller Curber, Skyjack, Lull, Skytrak, Tsurumi, Husquvarna Target, Stow, Wacker, Sakai, Mi-T-M, Sullair, Basic, Dynapac, MBW, Weber, Bartell, Bennar Newman, Haulotte, Ditch Runner, Menegotti, Morrison, Contec, Buddy, Crown, Edco, Wyco, Bomag, Laymor, EZ Trench, Bil-Jax, F.S. Curtis, Gehl Pavers, Heli, Honda, ICS/PowerGrit, IHI, Partner, Imer, Clipper, MMD, Koshin, Rice, CH&E, General Equipment, Amida, Coleman, NAC, Gradall, Square Shooter, Kent, Stanley, Tamco, Toku, Hatz, Kohler, Robin, Wisconsin, Northrock, Oztec, Toker TK, Rol-Air, APT, Wylie, Ingersoll Rand / Doosan, Innovatech, Con X, Ammann, Mecalac, Makinex, Smith Surface Prep, Small Line, Wanco, Yanmar