



IMPORTANT SAFETY RECALL

Date: 10/15/18
To: WTE5C/WTE5HP Series Water Trailers Owners
From: Multiquip Product Department
Subject: Trailer Axle Replacement — **Mandatory Update**



Dear Multiquip Customer,

Our records indicate your company purchased one or more models of the WTE5C/WTE5HP Series Water Trailers.

We have identified a limited production run of water trailers equipped with axle assemblies that do not meet the proper axle load ratings (3,500 lb. GAWR). This is due to mislabeled axles received from our supplier. **THE AXLES ON YOUR WATER TRAILER ARE UNDERRATED (2,470 lb. GAWR) AND MUST BE REPLACED.**

This recall notice applies **only** to the model(s) and serial number(s) specified in the accompanying service bulletin. Water trailers outside the specified serial number range are not affected.

Failure to repair imposes a safety risk. Safe operating and unit towing processes are in jeopardy due to the under rated GAWR capacity of the axles.

Go to Discount-Equipment.com to order your parts

PARTS FINDER

**Search Website
by Part Number**



**Search Manual
Library For Parts
Manual & Lookup Part
Numbers – Purchase
or Request Quote**

Search Manuals

Enter your information to help us find the right parts manual for your machine.

* Brand:

* Model:

* Serial:

* Part Number:

SEARCH

**Can't Find Part or
Manual? Request Help
by Manufacturer,
Model & Description**

Parts Order Form

Please fill in the following information to help us find the right part for your machine.

Manufacturer:	<input type="text"/>
Model:	<input type="text"/>
Description:	<input type="text"/>
Part Number:	<input type="text"/>
Quantity:	<input type="text"/>
Notes:	<input type="text"/>

Discount-Equipment.com is your online resource for quality parts & equipment.

Florida: **561-964-4949** Outside Florida TOLL FREE: **877-690-3101**

Need parts?

Click on this link: <http://www.discount-equipment.com/category/5443-parts/> and choose one of the options to help get the right parts and equipment you are looking for. Please have the machine model and serial number available in order to help us get you the correct parts. If you don't find the part on the website or on one of the online manuals, please fill out the request form and one of our experienced staff members will get back to you with a quote for the right part that your machine needs.

We sell worldwide for the brands: Genie, Terex, JLG, MultiQuip, Mikasa, Essick, Whiteman, Mayco, Toro Stone, Diamond Products, Generac Magnum, Airman, Haulotte, Barreto, Power Blanket, Nifty Lift, Atlas Copco, Chicago Pneumatic, Allmand, Miller Curber, Skyjack, Lull, Skytrak, Tsurumi, Husquvarna Target, Stow, Wacker, Sakai, Mi-T-M, Sullair, Basic, Dynapac, MBW, Weber, Bartell, Bennar Newman, Haulotte, Ditch Runner, Menegotti, Morrison, Contec, Buddy, Crown, Edco, Wyco, Bomag, Laymor, EZ Trench, Bil-Jax, F.S. Curtis, Gehl Pavers, Heli, Honda, ICS/PowerGrit, IHI, Partner, Imer, Clipper, MMD, Koshin, Rice, CH&E, General Equipment, Amida, Coleman, NAC, Gradall, Square Shooter, Kent, Stanley, Tamco, Toku, Hatz, Kohler, Robin, Wisconsin, Northrock, Oztec, Toker TK, Rol-Air, APT, Wylie, Ingersoll Rand / Doosan, Innovatech, Con X, Ammann, Mecalac, Makinex, Smith Surface Prep, Small Line, Wanco, Yanmar



Service Bulletin

WTE5C/WTE5HP Series Water Trailers

Product Group: Water Trailer Models: WTE5C/WTE5HP	Date Issued: 10/15/18	Service Bulletin No. WT20180925
Bulletin Type <input checked="" type="checkbox"/> Mandatory <input type="checkbox"/> Information Only <input type="checkbox"/> Recommended Change	SERIAL NUMBER/VIN NUMBER 50022, 50024 50026 - 50028 50077 - 50083 50105 - 50117 50305 - 50308 50401 - 50406 50479 - 50484 50534 - 50539 S/N correspond to the last 5-digits of VIN located on the trailer frame	

Details
Problem: a. A select number of water trailers were shipped with axle assemblies that do not meet with proper axle load ratings (GAWR). Solution: a. Replace existing axles with proper rated axle assemblies.

Parts Information

Table 1. WTE5C/WTE5HP Axle Service Kit				
Item No.	Part No.	Description	QTY.	Remarks
1	29396-SK	Assembly AxleTRLR70 Electric Service Kit	1	Includes items 2-8
2	19761	Splice Terminal	12	
3	2540	Wire Butt Conector	16	
4	29249	Axle, Hex Nut 9/16"-18 N-2	16	
5	29248	Axle, Mount Screw 9/16"-18 X 3"	16	
6	29396	Axle, Electric Brake Assy. 3,500 lb (1,587 kg) Capacity	2	
7	1662	Cable-Tie	8	
8	49498	Instruction Sheet	1	

Figure 1. Electric Axle Service Kit (TRLR70)

SAFETY

NOTICE

Only **qualified** personnel with proper training should perform this installation. Follow all shop safety rules when performing this installation.

PROCEDURE

NOTICE

The following step-by-step procedures are provided to assist in the removal and replacement of the tandem electric axle assemblies used on the Multiquip Water Trailer models: WTE5C and WTE5HP. Both axle assemblies will be replaced.

NOTICE

Secure trailer in accordance with Job Hazard Analysis (JHA) 20140618-002, **Securing Trailer for Maintenance/Repairs**.

Axle Removal

1. Place water trailer on **firm and level** ground (Figure 2). **DO NOT** place trailer on soft or uneven ground. Soft or uneven ground will not allow for secure placement of hydraulic jack or jack stands.



Figure 2. Trailer Placement

2. Position a hydraulic jack behind the tire, using the frame (only) as a lift or contact point. The use of a wood block is acceptable to extend the height of the hydraulic jack.

NOTICE

DO NOT attempt to raise the trailer by jacking on the axles or the suspension. This will cause damage to the axles or suspension. **ALWAYS** place the jack underneath the frame to prevent bending or deformation of the axles or suspension.

3. Raise the trailer until the tire is no longer contacting the ground. The tire should be able to freely rotate while maintaining a minimum clearance between the ground and tire.

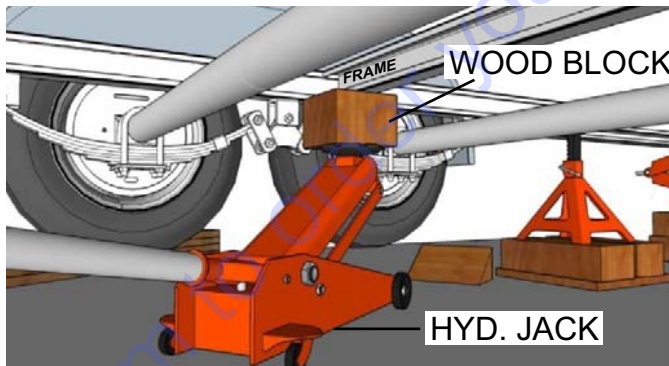


Figure 3. Jacking The Trailer

4. Next, place jack stands underneath the trailer frame.
5. Remove the tires (4) - break the wheel lug nuts (5) loose with a ratchet (or breaker bar) and socket.



Figure 4. Removing The Tire

6. Save the lug nuts they will be used later.
7. Locate the wiring harnesses along the right and left side of the trailer rails beneath the trailer frame.

8. Open the splice terminals (P/N 19761) and remove the wires coming from the axle brakes as shown in Figure 5.

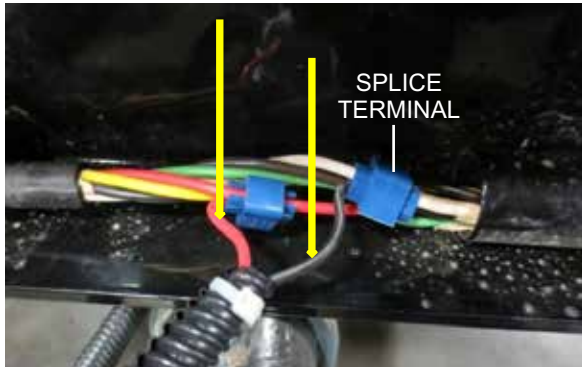


Figure 5. Splice Terminals

9. Loosen **axle hex nuts** (P/N 29249) as shown in Figure 6.



Figure 6. Loosening Axle Hex Nuts

10. Loosen the **axle mounting screws** (P/N 29248); it may be necessary to gently tap the screw (Figure 7) to advance the splines of the screw.

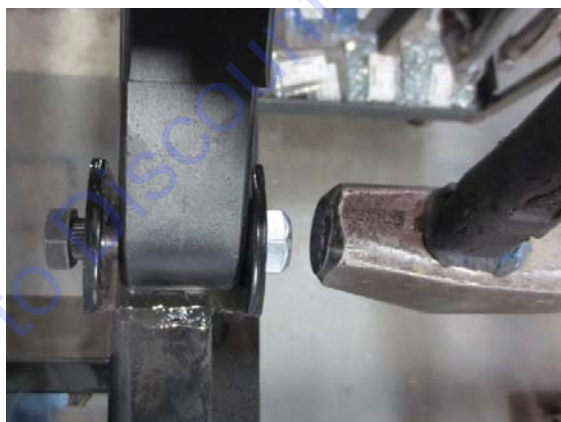


Figure 7. Removal Of Axle Screws

11. To stabilize the tandem axle (Figure 8) equalizers during the axle replacement process, place a 2" X 4" (or like item) as shown on the opposite axle that is being replaced.

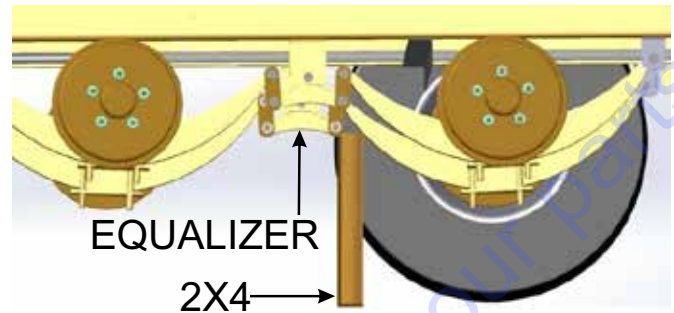


Figure 8. Stabilizing Tandem Axle

12. Carefully remove the **axle mounting screws** (16) lower and remove the axle (Figure 9). Discard screws and hex nuts.



Figure 9. Axle Removal

NOTICE

Affected axles (2,470 lbs.) must be returned to the vendor as follows:

Ship to: Dexter MWR, 1845 South 300 West, Salt Lake City, UT 841115

Attention: B. Quigley

Use account number: XPO Logistics 640849505

Affected axles must be shipped to vendor within 30 days.

New Axle Installation

NOTICE

New hardware has been provided and is required for installation of the new axle assemblies.

1. When installing the new axle (3,500 lbs/1,587 kg), place the axle so that the brake wires (Figure 10) are oriented towards the rear of the water trailer.

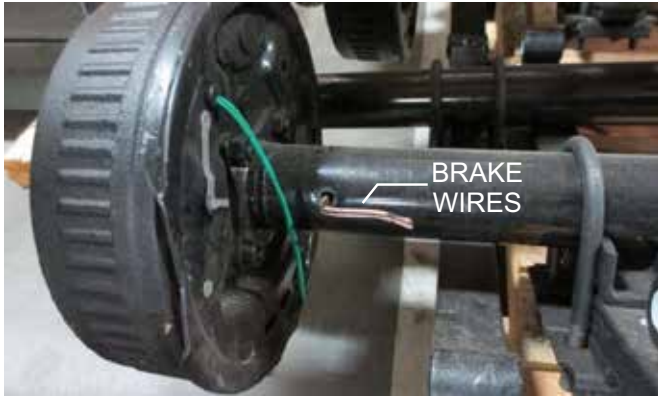


Figure 10. Brake Wire Orientation

2. Align the new axle assembly ((P/N 29396) with the hanger on the frame and equalizer as shown Figure 11

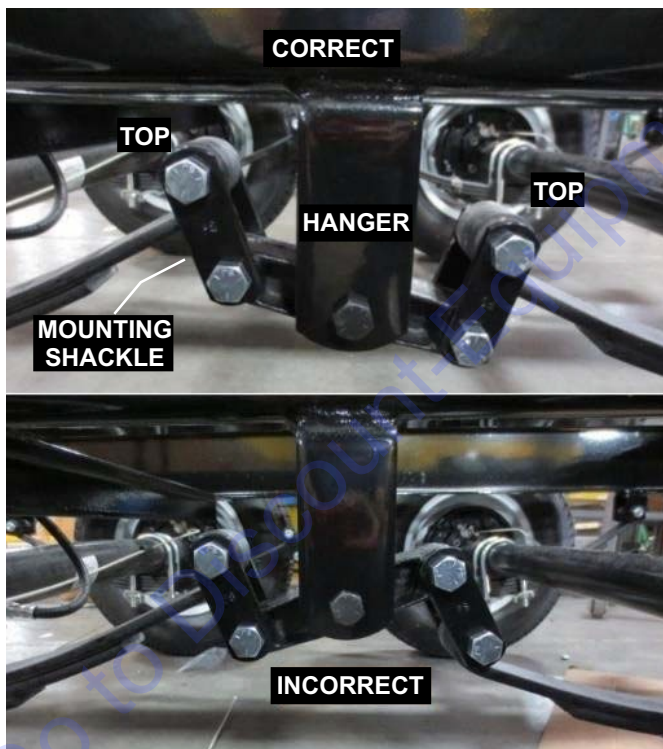


Figure 11. Mounting Shackle Orientation

3. Use new axle mounting screws (P/N 29248) and hex axle nuts to secure new electric brake axle assembly.
4. Fasteners should be only be **hand-tightened** at this time.
5. Use a ratchet and wrench to tighten axle mounting screws (P/N 29248) and hex axle nuts (P/N 29249) as shown in (Figure 12). **DO NOT** tighten screws all the way. Leave a 1/16" gap as shown in Figure 13.

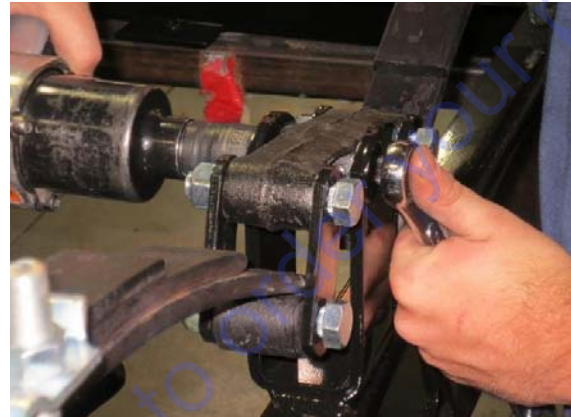


Figure 12. Tightening Axle Hex Nuts



Figure 13. Screw Gap

- Using a hammer, **gently tap** (prevents damage to screw head) the screws so that they lay flush against the bracket (Figure 14A~D)

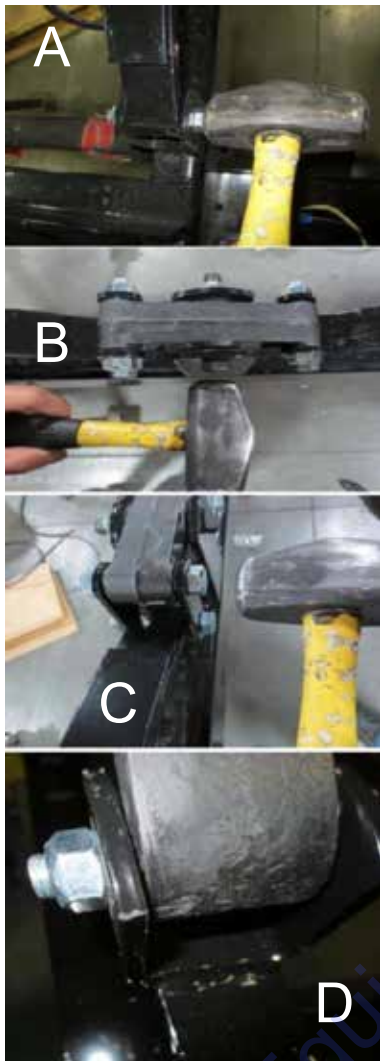


Figure 14. Tapping Axle Mounting Screws

Axle Wiring

CURB-SIDE

There are two wires extending from the axle tube as shown in Figure 15, connect these wires as follows:

NOTICE

Wire colors may be different than those shown in Figure 15.

- Using butt connectors (P/N 2540), attach the two wires coming from the axle tube to the two wires coming from the hub wire harness (Figure 15).



Figure 15. Curb-Side Wiring

STREET-SIDE

There are two wires extending from the axle tube as shown in Figure 16, connect these wires as follows:

NOTICE

Wire colors may be different than those shown in Figure 16.

- Using splice terminal connectors (P/N 19761), attach the two wires coming from the axle tube to the two wires coming from the hub wire harness (Figure 16).

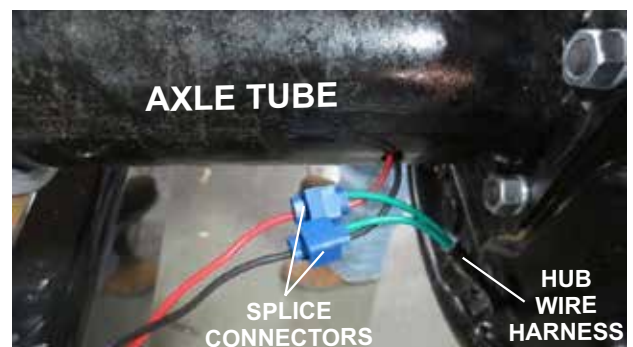


Figure 16. Street-Side Wiring

HARNESS WIRING

1. Use splice terminals (P/N 19761) to attach one wire to the RED wire and connect the other wire to the WHITE wire.
2. Use cable-ties to secure the wire bundles to the wire harness and axle tube as necessary.

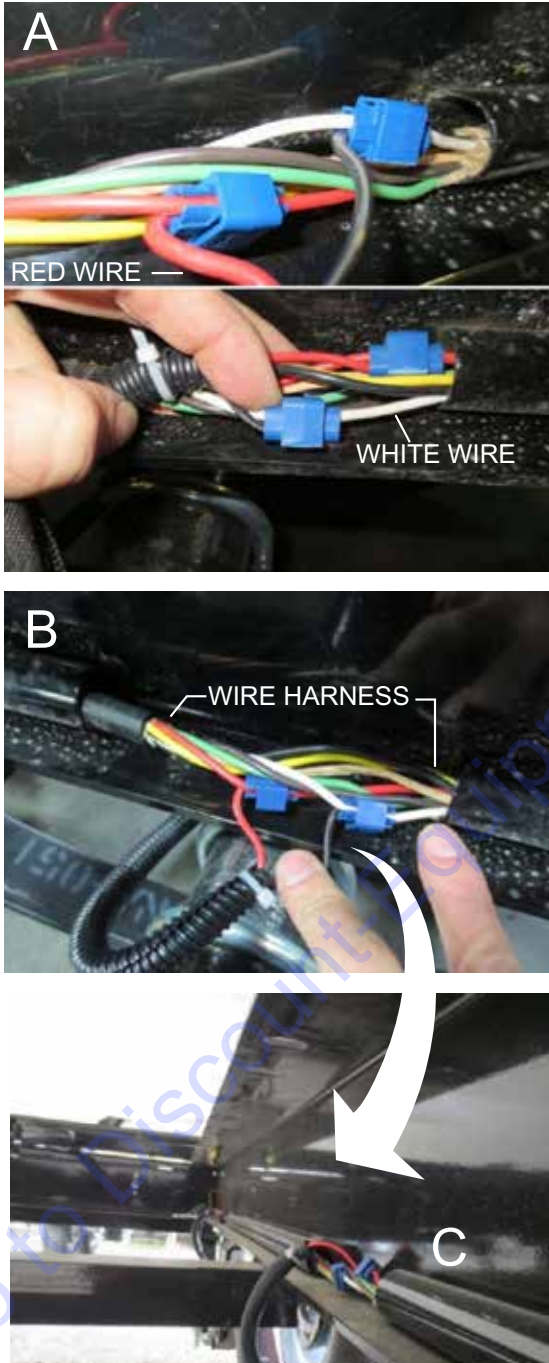


Figure 17. Wire Harness Connections

WHEEL MOUNTING

NOTICE

NEVER use an pneumatic air gun to tighten wheel lug nuts.

Over-tightening lug nuts will result in breaking the studs or permanently deforming the mounting stud holes in the wheels.

WARNING

Lug nuts are prone to loosen after initial installation, which can lead to death or serious injury. Check all wheel lug nuts periodically.

Lug Nut Torque Requirements

It is extremely important to apply and maintain proper wheel mounting torque on the trailer. Be sure to use only the fasteners matched to the cone angle of the wheel. Proper procedure for attachment of the wheels is as follows:

3. Start all wheel lug nuts by hand.
4. Torque all lug nuts in sequence. See Figure 18. **DO NOT** torque the wheel lug nuts all the way down. Tighten each lug nut in 3 separate passes as defined by Table 2.
5. Check to see if the lug nuts are tight after the first 10, 25 and 50 miles of driving and before each tow thereafter.

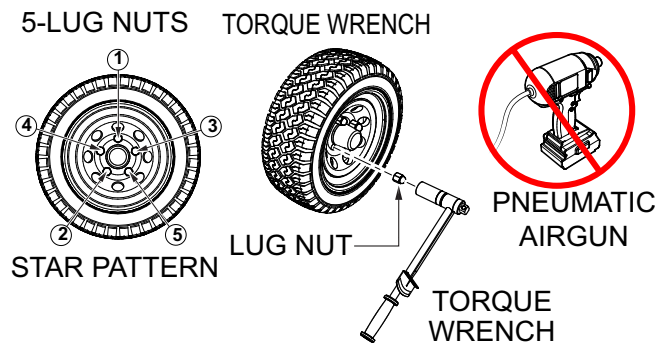


Figure 18. Wheel Lug Nuts Tightening Sequence

Table 2. Tire Torque Requirements

Wheel Size	First Pass FT-LBS	Second Pass FT-LBS	Third Pass FT-LBS
14"	20-25	50-60	90-120

PARTS FINDER

**Search Website
by Part Number**



**Search Manual
Library For Parts
Manual & Lookup Part
Numbers – Purchase
or Request Quote**

Search Manuals

Enter your information to help us find the right parts manual for your machine.

* Brand:

* Model:

* Serial:

* Part Number:

SEARCH

**Can't Find Part or
Manual? Request Help
by Manufacturer,
Model & Description**

Parts Order Form

Please fill in the following information to help us find the right part for your machine.

Manufacturer:	<input type="text"/>
Model:	<input type="text"/>
Description:	<input type="text"/>
Part Number:	<input type="text"/>
Quantity:	<input type="text"/>
Notes:	<input type="text"/>

Discount-Equipment.com is your online resource for quality parts & equipment.

Florida: **561-964-4949** Outside Florida TOLL FREE: **877-690-3101**

Need parts?

Click on this link: <http://www.discount-equipment.com/category/5443-parts/> and choose one of the options to help get the right parts and equipment you are looking for. Please have the machine model and serial number available in order to help us get you the correct parts. If you don't find the part on the website or on one of the online manuals, please fill out the request form and one of our experienced staff members will get back to you with a quote for the right part that your machine needs.

We sell worldwide for the brands: Genie, Terex, JLG, MultiQuip, Mikasa, Essick, Whiteman, Mayco, Toro Stone, Diamond Products, Generac Magnum, Airman, Haulotte, Barreto, Power Blanket, Nifty Lift, Atlas Copco, Chicago Pneumatic, Allmand, Miller Curber, Skyjack, Lull, Skytrak, Tsurumi, Husquvarna Target, Stow, Wacker, Sakai, Mi-T-M, Sullair, Basic, Dynapac, MBW, Weber, Bartell, Bennar Newman, Haulotte, Ditch Runner, Menegotti, Morrison, Contec, Buddy, Crown, Edco, Wyco, Bomag, Laymor, EZ Trench, Bil-Jax, F.S. Curtis, Gehl Pavers, Heli, Honda, ICS/PowerGrit, IHI, Partner, Imer, Clipper, MMD, Koshin, Rice, CH&E, General Equipment, Amida, Coleman, NAC, Gradall, Square Shooter, Kent, Stanley, Tamco, Toku, Hatz, Kohler, Robin, Wisconsin, Northrock, Oztec, Toker TK, Rol-Air, APT, Wylie, Ingersoll Rand / Doosan, Innovatech, Con X, Ammann, Mecalac, Makinex, Smith Surface Prep, Small Line, Wanco, Yanmar