

# PARTS MANUAL



**MODELS**

**WT5HP**

**WTE5HP**

**WT5HPSG**

**WATER TRAILERS**

**(HONDA GX160U1TX2NH1 GASOLINE ENGINE)**

**(QP205SHLF HIGH PRESSURE CENTRIFUGAL PUMP)**

Revision #5 (12/22/22)



THIS MANUAL MUST ACCOMPANY THE EQUIPMENT AT ALL TIMES.

**PN 59249**

# PARTS FINDER

**Search Website  
by Part Number**



**Search Manual  
Library For Parts  
Manual & Lookup Part  
Numbers – Purchase  
or Request Quote**

**Search Manuals**

Enter your information to help us find the right parts manual for your machine.

\* Brand:

\* Model:

\* Serial:

\* Part Number:

SEARCH

**Can't Find Part or  
Manual? Request Help  
by Manufacturer,  
Model & Description**

**Parts Order Form**

Please fill in the following information to help us find the right part for your machine.

MANUFACTURER:

MODEL:

DESCRIPTION:

DATE:

TIME:

PHONE:

EMAIL:

ADDRESS:

CITY:

STATE:

ZIP:

COUNTRY:

SEARCH

Discount-Equipment.com is your online resource for quality parts & equipment.

Florida: **561-964-4949** Outside Florida TOLL FREE: **877-690-3101**

**Need parts?**

Click on this link: <http://www.discount-equipment.com/category/5443-parts/> and choose one of the options to help get the right parts and equipment you are looking for. Please have the machine model and serial number available in order to help us get you the correct parts. If you don't find the part on the website or on one of the online manuals, please fill out the request form and one of our experienced staff members will get back to you with a quote for the right part that your machine needs.

We sell worldwide for the brands: Genie, Terex, JLG, MultiQuip, Mikasa, Essick, Whiteman, Mayco, Toro Stone, Diamond Products, Generac Magnum, Airman, Haulotte, Barreto, Power Blanket, Nifty Lift, Atlas Copco, Chicago Pneumatic, Allmand, Miller Curber, Skyjack, Lull, Skytrak, Tsurumi, Husquvarna Target, Stow, Wacker, Sakai, Mi-T-M, Sullair, Basic, Dynapac, MBW, Weber, Bartell, Bennar Newman, Haulotte, Ditch Runner, Menegotti, Morrison, Contec, Buddy, Crown, Edco, Wyco, Bomag, Laymor, EZ Trench, Bil-Jax, F.S. Curtis, Gehl Pavers, Heli, Honda, ICS/PowerGrit, IHI, Partner, Imer, Clipper, MMD, Koshin, Rice, CH&E, General Equipment, Amida, Coleman, NAC, Gradall, Square Shooter, Kent, Stanley, Tamco, Toku, Hatz, Kohler, Robin, Wisconsin, Northrock, Oztec, Toker TK, Rol-Air, APT, Wylie, Ingersoll Rand / Doosan, Innovatech, Con X, Ammann, Mecalac, Makinex, Smith Surface Prep, Small Line, Wanco, Yanmar

# TABLE OF CONTENTS

---

## **WT5HP/WTE5HP/WT5HPSG Water Trailers**

Explanation Of Code In Remarks Column.....	4
Suggested Spare Parts .....	5

### **Component Drawings**

Nameplate And Decals Assembly .....	6-7
Water Tank Assembly .....	8-9
Engine Mounting And Hose Assembly .....	10-11
Manifold Assembly.....	12-13
Hose Reel Assembly .....	14-15
Manifold Valve Assembly .....	16-17
Rear Spray Valve Assembly .....	18-19
Tank Cradle Mounting Assembly .....	20-21
Tank Cradle Assembly .....	22-23
Hydraulic Trailer Assembly .....	24-27
Electric Trailer Assembly.....	28-31

#### **NOTICE**

Specifications and part numbers are subject to change without notice.

# EXPLANATION OF CODE IN REMARKS COLUMN

The following section explains the different symbols and remarks used in the Parts section of this manual. Use the help numbers found on the back page of the manual if there are any questions.

**NOTICE**

The contents and part numbers listed in the parts section are subject to change **without notice**. Multiquip does not guarantee the availability of the parts listed.

## SAMPLE PARTS LIST

NO.	PART NO.	PART NAME	QTY.	REMARKS
1	12345	BOLT .....	1	INCLUDES ITEMS W/%
2%		WASHER, 1/4 IN. ....		NOT SOLD SEPARATELY
2%	12347	WASHER, 3/8 IN. ...	1	MQ-45T ONLY
3	12348	HOSE .....	A/R	MAKE LOCALLY
4	12349	BEARING .....	1	S/N 2345B AND ABOVE

## NO. Column

**Unique Symbols** — All items with same unique symbol (@, #, +, %, or >) in the number column belong to the same assembly or kit, which is indicated by a note in the “Remarks” column.

**Duplicate Item Numbers** — Duplicate numbers indicate multiple part numbers, which are in effect for the same general item, such as different size saw blade guards in use or a part that has been updated on newer versions of the same machine.

**NOTICE**

When ordering a part that has more than one item number listed, check the remarks column for help in determining the proper part to order.

## PART NO. Column

**Numbers Used** — Part numbers can be indicated by a number, a blank entry, or TBD.

TBD (To Be Determined) is generally used to show a part that has not been assigned a formal part number at the time of publication.

A blank entry generally indicates that the item is not sold separately or is not sold by Multiquip. Other entries will be clarified in the “Remarks” Column.

## QTY. Column

**Numbers Used** — Item quantity can be indicated by a number, a blank entry, or A/R.

A/R (As Required) is generally used for hoses or other parts that are sold in bulk and cut to length.

A blank entry generally indicates that the item is not sold separately. Other entries will be clarified in the “Remarks” Column.

## REMARKS Column

Some of the most common notes found in the “Remarks” Column are listed below. Other additional notes needed to describe the item can also be shown.

**Assembly/Kit** — All items on the parts list with the same unique symbol will be included when this item is purchased.

Indicated by:

“INCLUDES ITEMS W/(unique symbol)”

**Serial Number Break** — Used to list an effective serial number range where a particular part is used.

Indicated by:

“S/N XXXXX AND BELOW”

“S/N XXXX AND ABOVE”

“S/N XXXX TO S/N XXX”

**Specific Model Number Use** — Indicates that the part is used only with the specific model number or model number variant listed. It can also be used to show a part is NOT used on a specific model or model number variant.

Indicated by:

“XXXXX ONLY”

“NOT USED ON XXXX”

**“Make/Obtain Locally”** — Indicates that the part can be purchased at any hardware shop or made out of available items. Examples include battery cables, shims, and certain washers and nuts.

**“Not Sold Separately”** — Indicates that an item cannot be purchased as a separate item and is either part of an assembly/kit that can be purchased, or is not available for sale through Multiquip.

## SUGGESTED SPARE PARTS

---

### WT5HP/WTE5HP WATER TRAILER WITH QP205SHLF PUMP AND GX160U1TX2NH1 HONDA ENGINE

1 to 3 units

Qty.	P/N	Description
1.....	KIT205.....	MECHANICAL SEAL KIT
1.....	0631211100ASSY	DRAIN CAP ASSEMBLY
2.....	17210ZE1822.....	ELEMENT, AIR CLEANER
3.....	9807955846.....	SPARK PLUG
1.....	28462ZH8003.....	ROPE, RECOIL STARTER
1.....	17620Z0T305.....	CAP, FUEL W/ GASKET

#### NOTICE

Part numbers on this Suggested Spare Parts list may supersede/replace the part numbers shown in the following parts lists.

Go to Discount-Equipment.com to order your parts

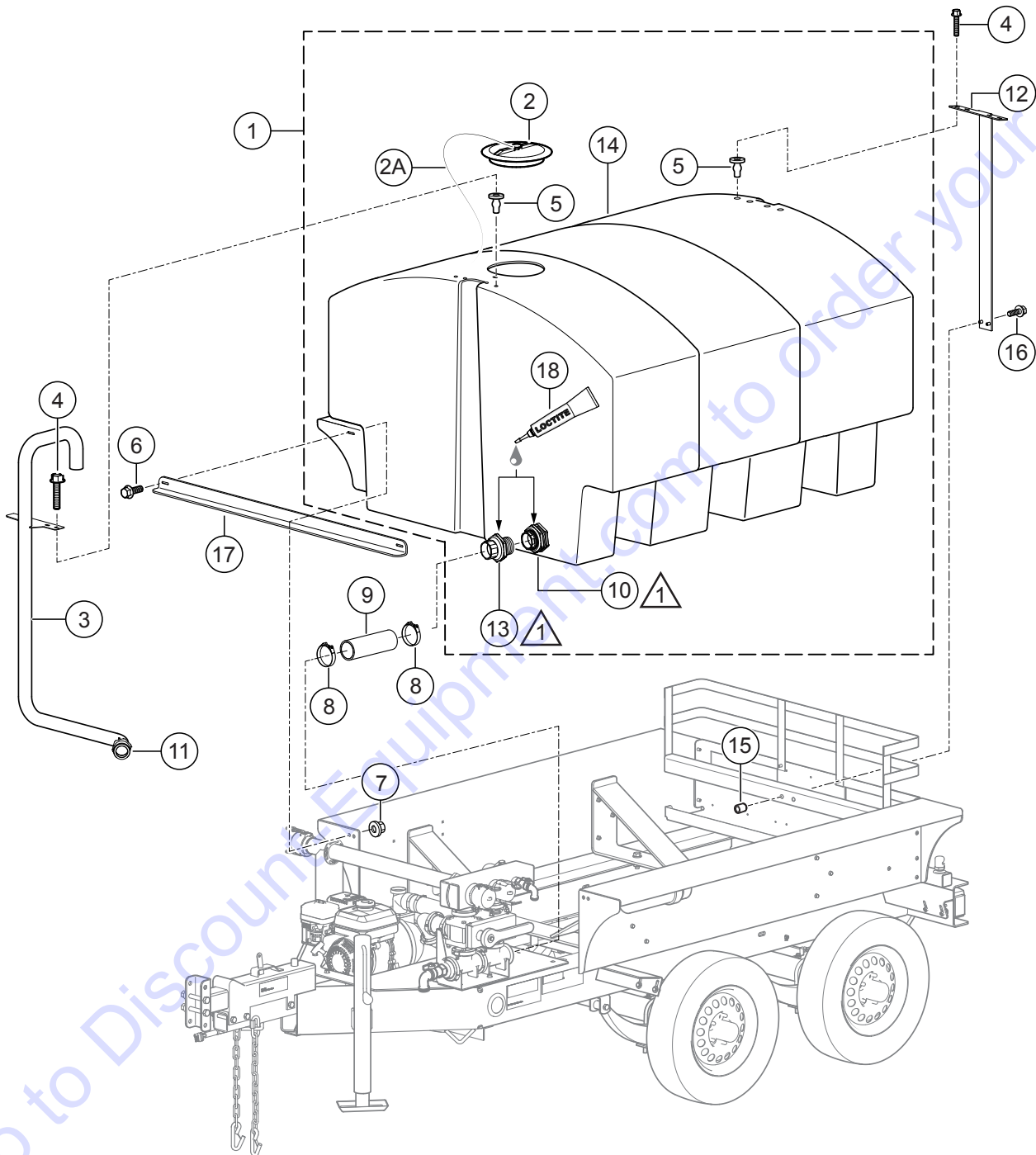


## NAMEPLATE AND DECALS ASSY.

<u>NO.</u>	<u>PART NO.</u>	<u>PART NAME</u>	<u>QTY.</u>	<u>REMARKS</u>
1	35137	DECAL, READ MANUAL ASK FOR TRAINING	1	
2	36099	DECAL, ISO PROTECTIVE CLOTHING	1	
3	49937	DECAL, VALVE OPERATION, WTC	1	
4	29440	DECAL, PLUG WIRING	1	
5	EE56342	DECAL, NATM COMPLIANCE	1	
6	34627	DECAL, TOWING, WARNING	1	
7	EE56313	OVERLAY, VIN LABEL	1	
8	EE56314	OVERLAY, TIRE LABEL	1	
9		LABEL, VIN AND TIRE .....	1	
10	29713	DECAL, BRAKE FLUID CHECK	1	

Go to Discount-Equipment.com to order your parts

# WATER TANK ASSY.



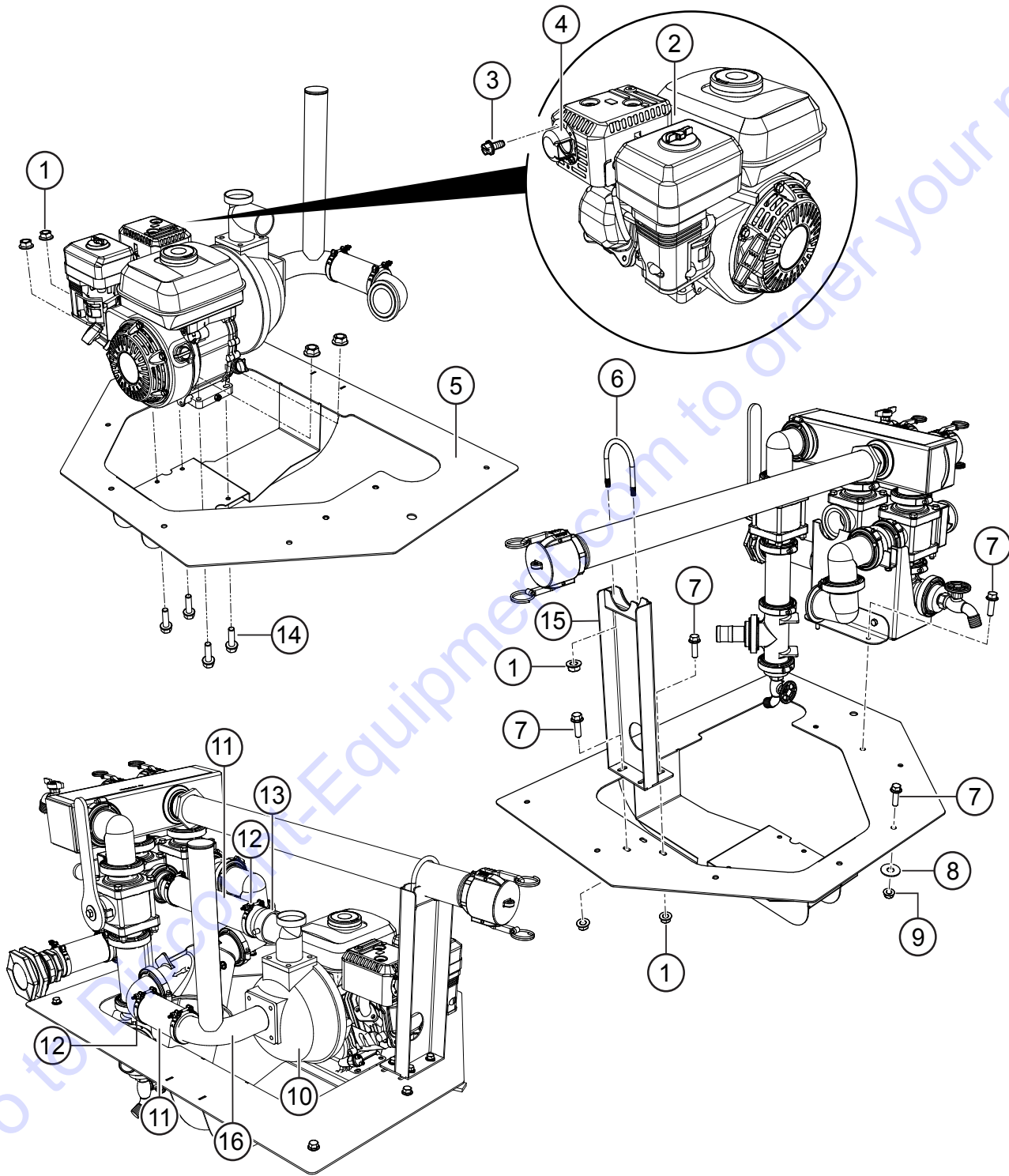
**NOTE:** APPLY LOCTITE 572 TO ITEM # 10 AND # 13



## WATER TANK ASSY.

<u>NO.</u>	<u>PART NO.</u>	<u>PART NAME</u>	<u>QTY.</u>	<u>REMARKS</u>
1	49769-SK	TANK ASSY., 525 GAL.....	1.....	INCLUDES ITEMS W/#
2#	49906	LID, TANK	1	
2A#	49910	LANYARD, LID	1	
3	49765	RISER, HYDRANT FILL, ASSY. ....	1.....	INCLUDES ITEMS W/\$
4	23619	SCREW, HHFS 1/4"-20 X 1-1/4"	8	
5#	34159	NUT, BLIND 1/4"-20, BULB TYPE	8	
6	49048	SCREW, HHFS 1/4"-20 X 3/4" GRD 5	8	
7	49070	NUT, HFS, 1/4"-20	4	
8	49783	CLAMP, HOSE, BARREL, 2.2-2.5	2	
9	59012	HOSE, PUMP DISCHARGE, 2" X 12" (4.5") .....	1.....	1PC=1FT
10#	49768	FITTING, BULKHEAD, 2" BNJ	1	
11\$	49672	FITTING, 2" FNPT X 2" M	1	
12	49893	BRACKET, TANK SUPPORT	1	
13#	49903	FITTING, 2" MNPT X 2" BARB	1	
14#		TANK, 525 GAL.....	1.....	NOT SOLD SEPARATELY
15	19266	NUT, BLIND 1/4"-20 X .027-.165	2	
16	9167	SCREW, HHFS 3/8"-16 X 2.25	2	
17	49636	END STRAP, TANK CRADLE	1	
18#	60096	LOCTITE #572, WHITE	AR	

# ENGINE MOUNTING AND HOSE ASSY.

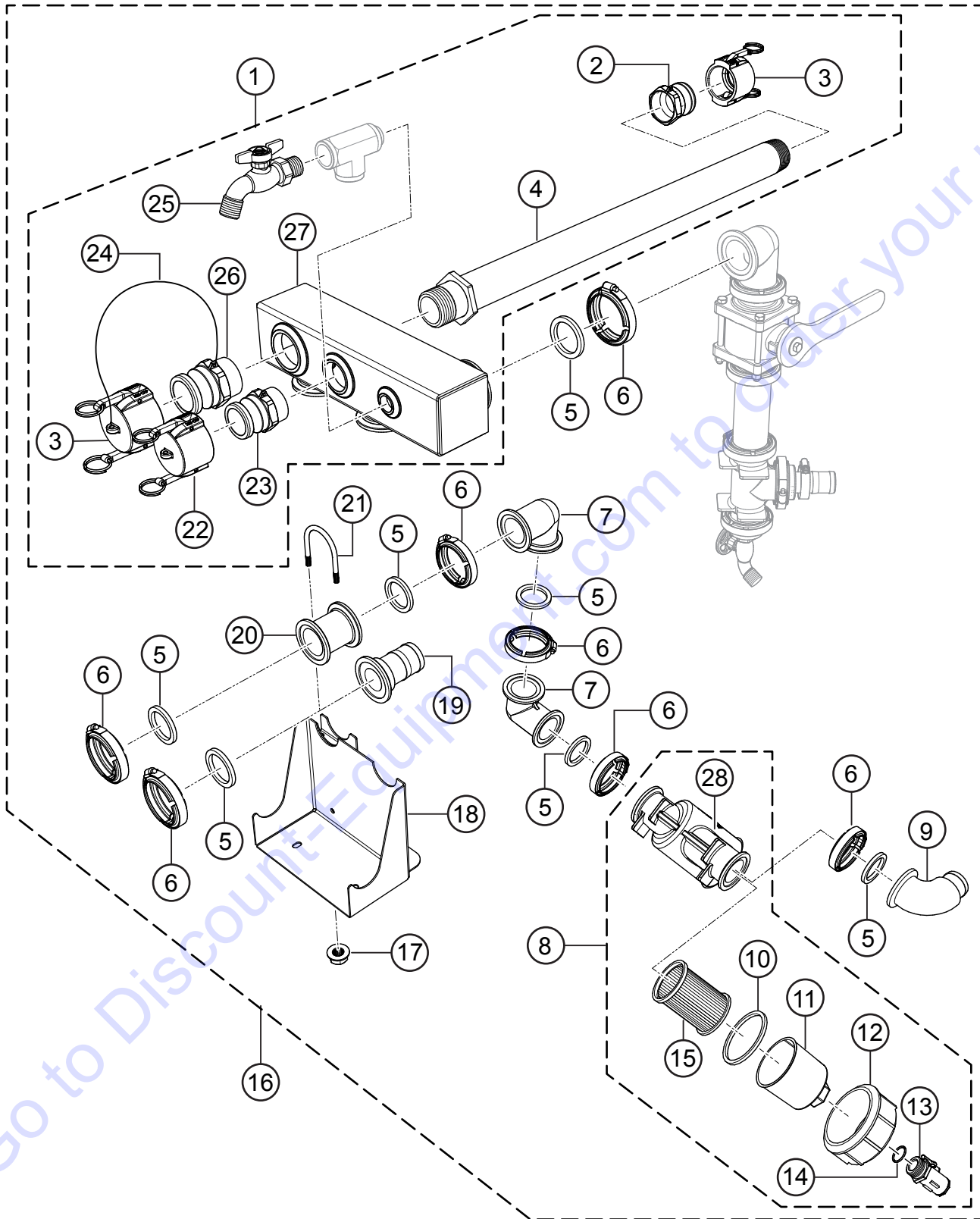


## ENGINE MOUNTING AND HOSE ASSY.

<u>NO.</u>	<u>PART NO.</u>	<u>PART NAME</u>	<u>QTY.</u>	<u>REMARKS</u>
1	49071	NUT, HFS, 5/16"-18	9	
2	GX160U1TX2NH1	ENGINE, HONDA	1	
3	1273	SCREW, HHWTC 8-32 X 3/8"	2	
4	1834	DEFLECTOR ASSY., EXHAUST ENGINE	1	
5	59174	DECK PLATE, PUMP MOUNT	1	
6	49997	U-BOLT, 5/16"-18 X 2-1/2" X 3-3/16"	1	
7	9091	SCREW, HHFS 5/16"-18 X 1 GRD 5	5	
8	3233	WASHER, FENDER, 3/8" X 1-1/2"	8	
9	10133	NUT, NYLOC 3/8"-16	8	
10	QP205SHLF	PUMP, QP205SH LESS FRAME	1	
11	59012	HOSE, PUMP DISCHARGE, 2" X 12" .....	2	1PC=1FT
12	49783	CLAMP, HOSE, BARREL, 2.2-2.5	4	
13	59221	FITTING, 2" BARB X 2" FNPS	1	
14	21906	SCREW, HHFS 5/16"-18 X 1-1/2" GRD 5	4	
15	59002	SUPPORT, SIDE SPRAY, SADDLE STYLE	1	
16	59170	PUMP INLET	1	

Go to Discount-Equipment.com to order your parts

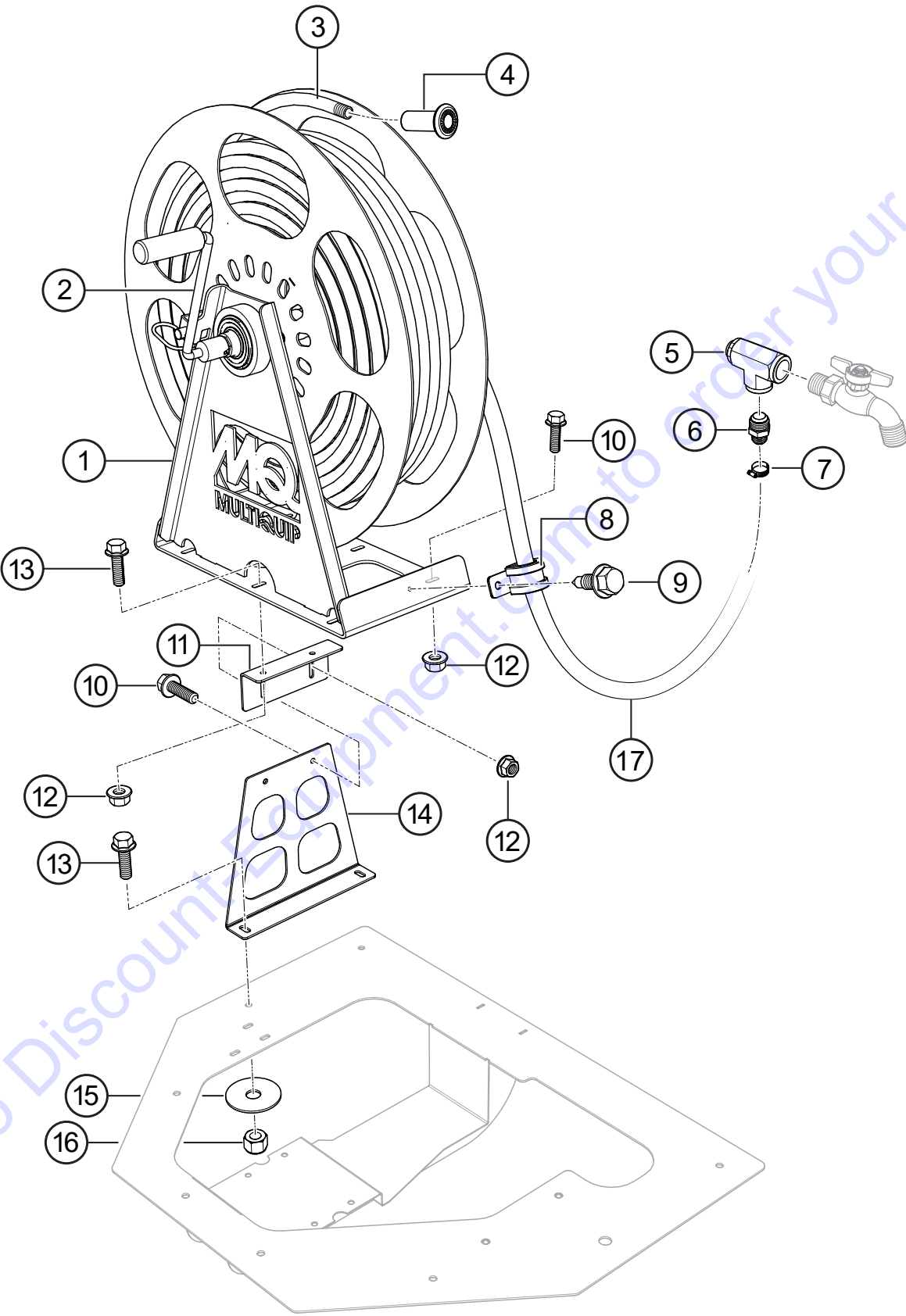
# MANIFOLD ASSY.



## MANIFOLD ASSY.

<u>NO.</u>	<u>PART NO.</u>	<u>PART NAME</u>	<u>QTY.</u>	<u>REMARKS</u>
1#	49731	MANIFOLD, UPPER, ASSEMBLY .....	1.....	INCLUDES ITEMS W/\$
2#\$	49672	FITTING, 2" FNPT X 2" M	1	
3#\$	49667	CAP, DUST, 2" CAM LEVER	2	
4#\$	49676	FITTING, NIPPLE, 2"MP X 34" L, BLK	1	
5#	49663	GASKET, 2" FP, EDPM, BNJ	7	
6#	49664	CLAMP, HOSE, WORM, 2" FP	7	
7#	49669	FITTING, 90°, 2" FP, BNJ	2	
8#	59225	STRAINER 2" FP-4 MESH .....	1.....	INCLUDES ITEMS W/%
9#	59224	FITTING 90 2" FP X 2" BARB	1	
10#%	59225-07	2" BODY GASKET	1	
11#%	59225-03	2" FLANGED Y STRAINER CAP	1	
12#%	59225-04	2" FLANGED Y STRAINER RING	1	
13#%	59230	VALVE 1" MNPT X 1/2" FNPT PLASTIC	1	
14#%	59225-05	2" PLUG GASKET	1	
15#%	59225-01	4 SS MESH SCREEN	1	
16	59217	MANIFOLD ASSEMBLY .....	1.....	INCLUDES ITEMS W/#
17#	49071	NUT, HFS, 5/16"-18	2	
18#	49998	MANIFOLD SUPPORT	1	
19#	49899	FITTING, 2" FP X 2" BARB	1	
20#	49735	FITTING, NIPPLE, 2" FP X 3" L	1	
21#	49997	U-BOLT, 5/16"-18 X 2-1/2" X 3-3/16"	1	
22#\$	49668	CAP, DUST, 1-1/2"	1	
23#\$	49673	FITTING, 1-1/2" MNPT X 1-1/2" M	1	
24#\$	49732	LANYARD, 11" POLY	2	
25#\$	49683	HOSE BIBB, 3/4" MNPT	1	
26#\$	49671	FITTING, 2" MNPT X 2" M	1	
27#\$	49675	MANIFOLD, VALVE ASSEMBLY	1	
28#%	59225-02	2" FLANGED Y STRAINER BODY	1	

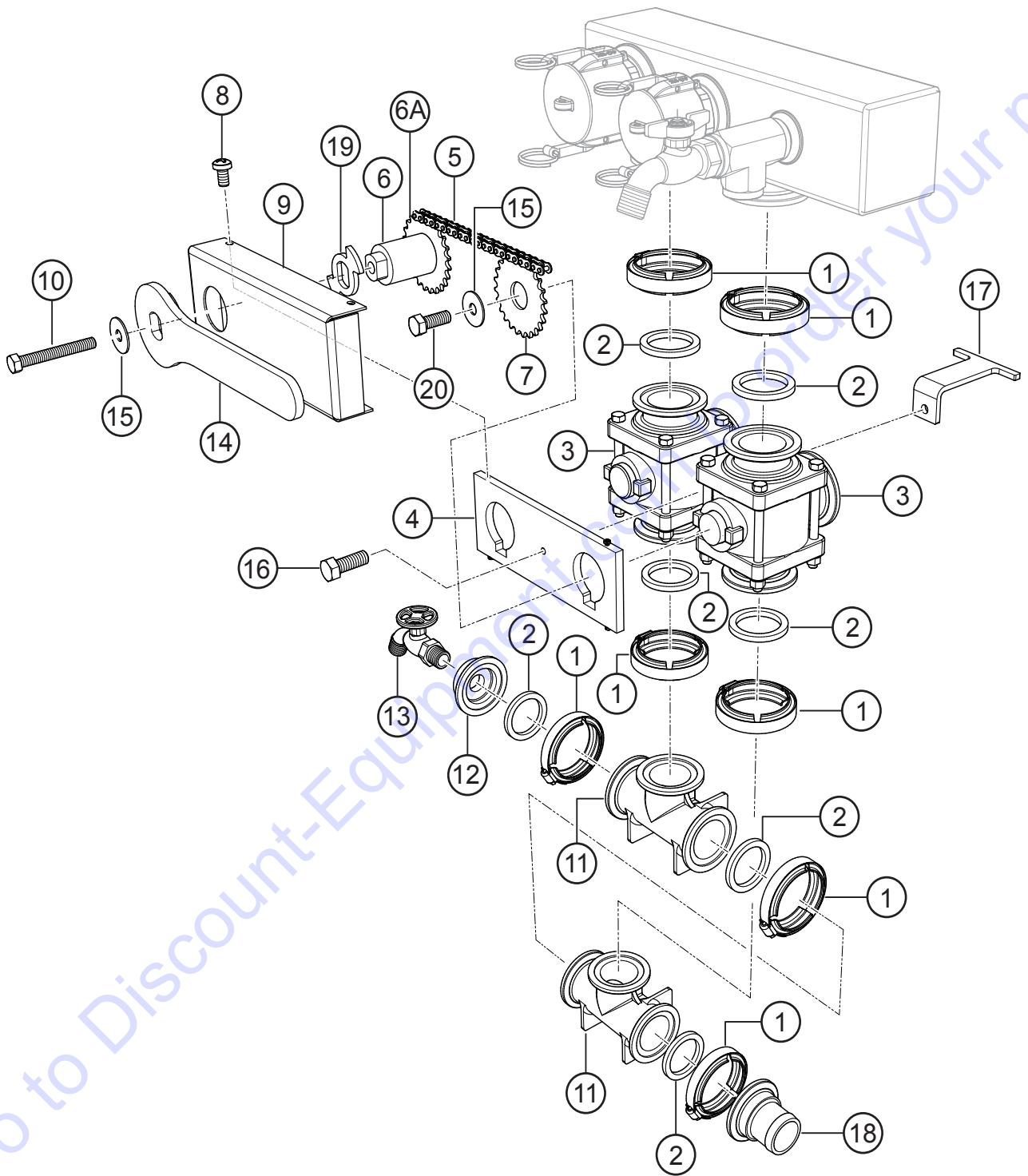
**HOSE REEL ASSY.**



## HOSE REEL ASSY.

<u>NO.</u>	<u>PART NO.</u>	<u>PART NAME</u>	<u>QTY.</u>	<u>REMARKS</u>
1	59136	DRUM ASSY., HOSE REEL	1	
2	59010	HANDLE, ROCK WINCH	1	
3	59157	HOSE, 50" X 1" MALE NPT	1	
4	59158	NOZZLE, FOG 1" NPT	1	
5	59156	FITTING, RUN TEE	1	
6	59160	FITTING, HOSE BARB TO MALE NPT16-12	1	
7	21552	CLAMP, HOSE WORM #16	1	
8	22852	CLAMP, CUSHIONED LOOP #24	1	
9	9509	SCREW, 12 X 3/4" SELF TAP	1	
10	9091	SCREW, HHFS 5/16"-18 X 1 GRD 5	7	
11	59161	BRACKET, HOSE REEL UPPER	1	
12	49071	NUT, HFS, 5/16"-18	7	
13	22106	SCREW, HHFS 3/8"-16 X 1.25	2	
14	59155	MOUNT PLATE, HOSE REEL	1	
15	3233	WASHER, FENDER, 3/8" X 1-1/2"	2	
16	10133	NUT, NYLOC 3/8"-16	2	
17	59159	HOSE, 5'-1" MALE NPT CONTRACTOR	1	

# MANIFOLD VALVE ASSY.

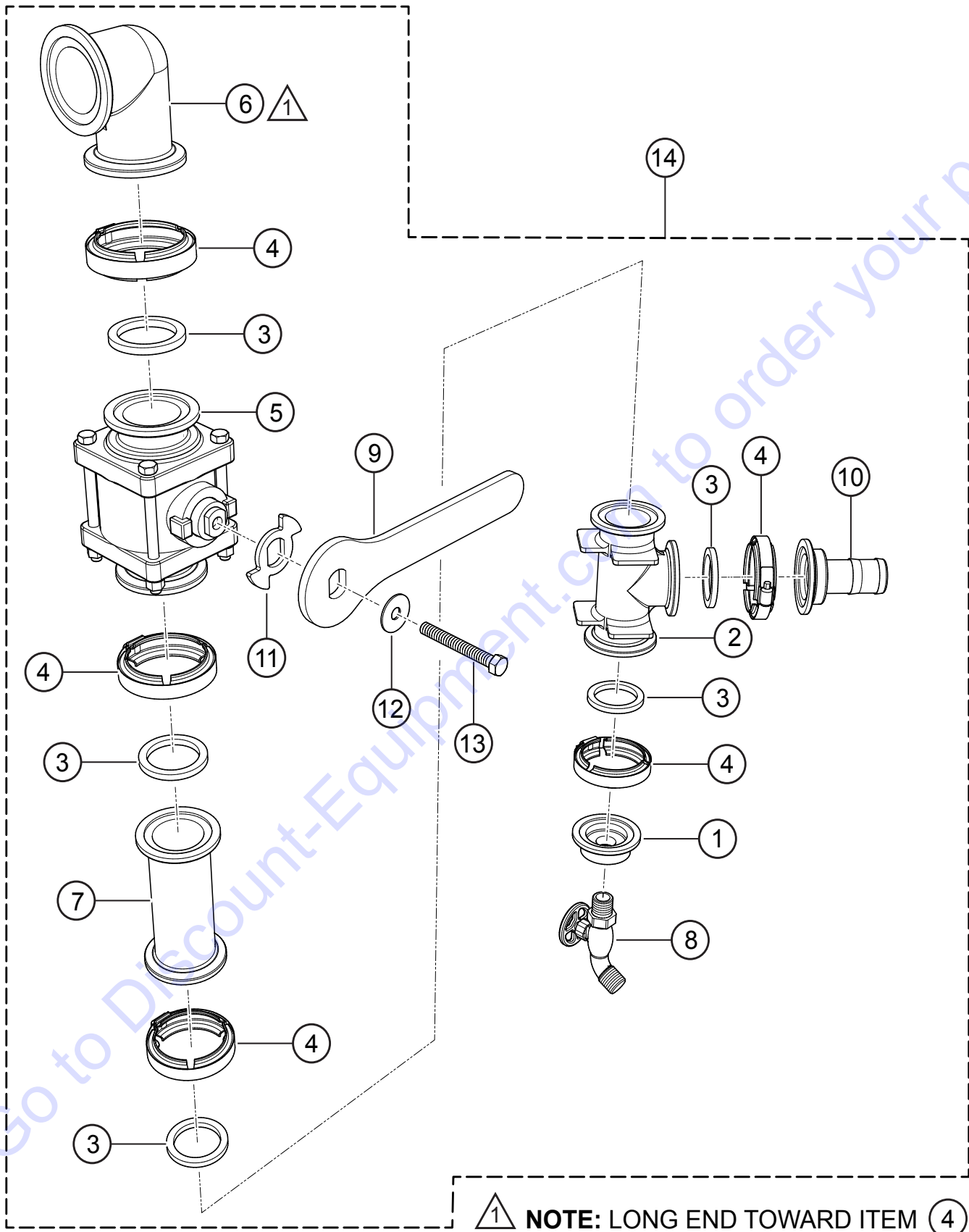




## MANIFOLD VALVE ASSY.

<u>NO.</u>	<u>PART NO.</u>	<u>PART NAME</u>	<u>QTY.</u>	<u>REMARKS</u>
1	49664	CLAMP, HOSE WORM, 2" FP, BNJ	7	
2	49663	GASKET, 2" FP, EPDM, BNJ	7	
3	49665	VALVE, 2" FP, 3 WAY, BOTTOM LOAD, BNJ	2	
4	49643	SEPARATOR PLATE, VALVE SELECTOR	1	
5	49738	CHAIN	1	
6	49641	HUB, DRIVE, VALVE SELECTOR	1	
6A	49638	SPROCKET BLANK, VALVE SELECTOR	1	
7	49640	SPROCKET, DRIVEN, VALVE SELEC.	1	
8	0304	SCREW, PHP 10-24 X 1/4"	4	
9	49647	GUARD, VALVE SELECTOR	1	
10	0169	SCREW, HHC 3/8"-16 X 3"	1	
11	49662	FITTING, TEE, 2" FP, BNJ	2	
12	49660	FITTING, 2" FP X 3/4" FNPT, BNJ	1	
13	49683	HOSE BIB, 3/4" MNPT	1	
14	49907	HANDLE, VALVE 2" FP	1	
15	28290-001	WASHER, FENDER 3/8" X 1-1/4"	1	
16	23619	SCREW, HHFS 1/4"-20 X 1-1/4"	1	
17	49898	BRACKET, GUARD RETAINER	1	
18	49900	FITTING, 2" FPX 2" BARB	1	
19	49894	CAM, HANDLE	1	
20	0205	SCREW, HHC 3/8"-16 X 1"	1	

# REAR SPRAY VALVE ASSY.

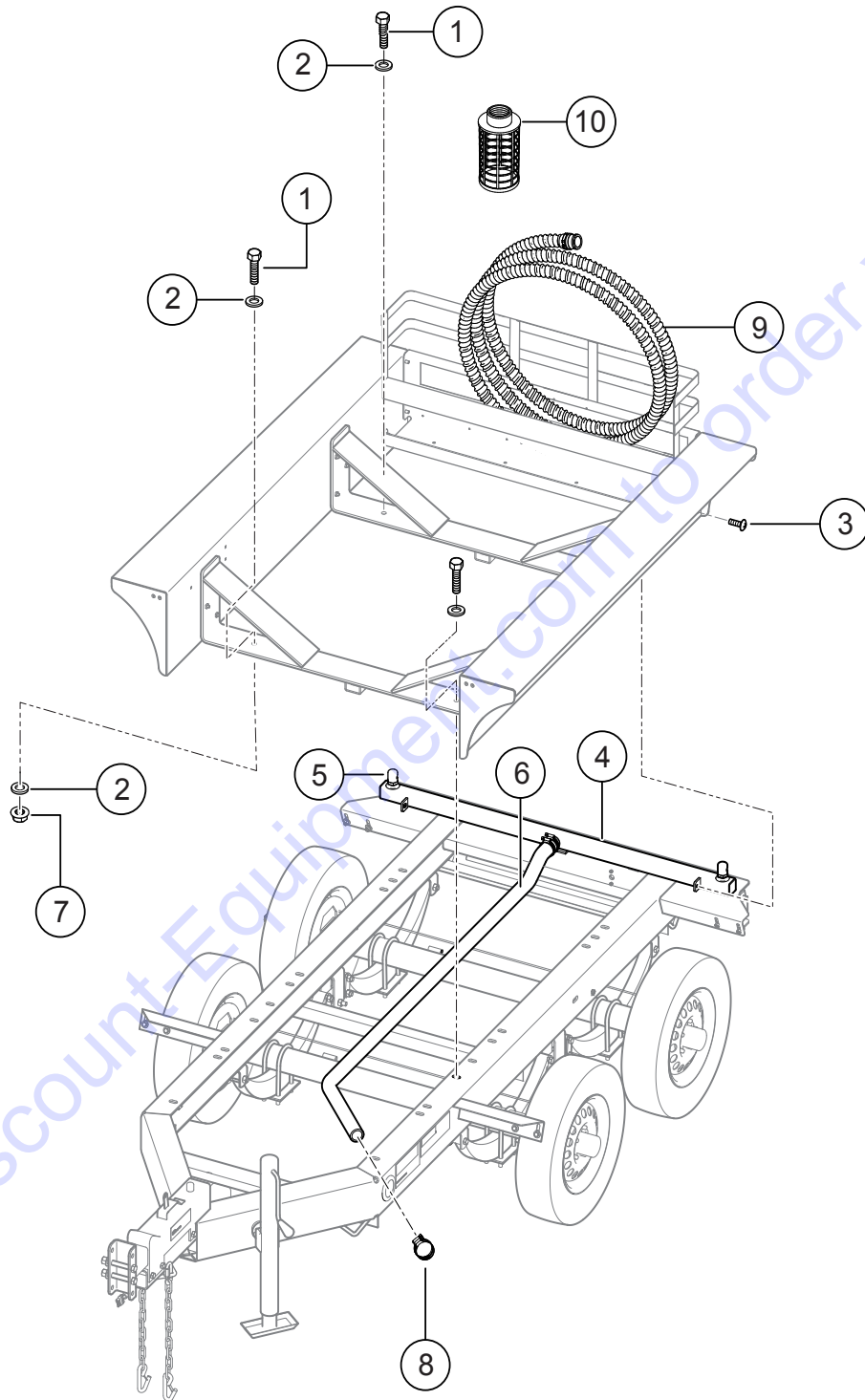


## REAR SPRAY VALVE ASSY.

<u>NO.</u>	<u>PART NO.</u>	<u>PART NAME</u>	<u>QTY.</u>	<u>REMARKS</u>
1#\$	49660	FITTING, 2" FP X 3/4" FNPT, BNJ	1	
2#\$	49662	FITTING, TEE, 2" FP, BNJ	1	
3#\$	49663	GASKET, 2" FP, EPDM, BNJ	5	
4#\$	49664	CLAMP, HOSE WORM, 2" FP, BNJ	5	
5#	49666	VALVE, 2" FP, BNJ	1	
6#	49669	FITTING, 90°, 2" FP, BNJ	1	
7#	49670	FITTING, NIPPLE, 2" FP X 6" L, BNJ	1	
8#\$	49683	HOSE BIB, 3/4" MNPT	1	
9#	49901	PADDLE, HANDLE	1	
10#\$	59011	FITTING, 2" FP X 1-1/2" BARB, BNJ	1	
11#	49894	CAM, HANDLE	1	
12#	28290-001	WASHER, FENDER, 3/8" X 1-1/4"	1	
13#	0169	SCREW, HHC 3/8"-16 X 3"	1	
14	49733	VALVE ASSY, REAR SPRAY .....	1.....	INCLUDES ITEMS W/#

Go to Discount-Equipment.com to order your parts

# TANK CRADLE MOUNTING ASSY.

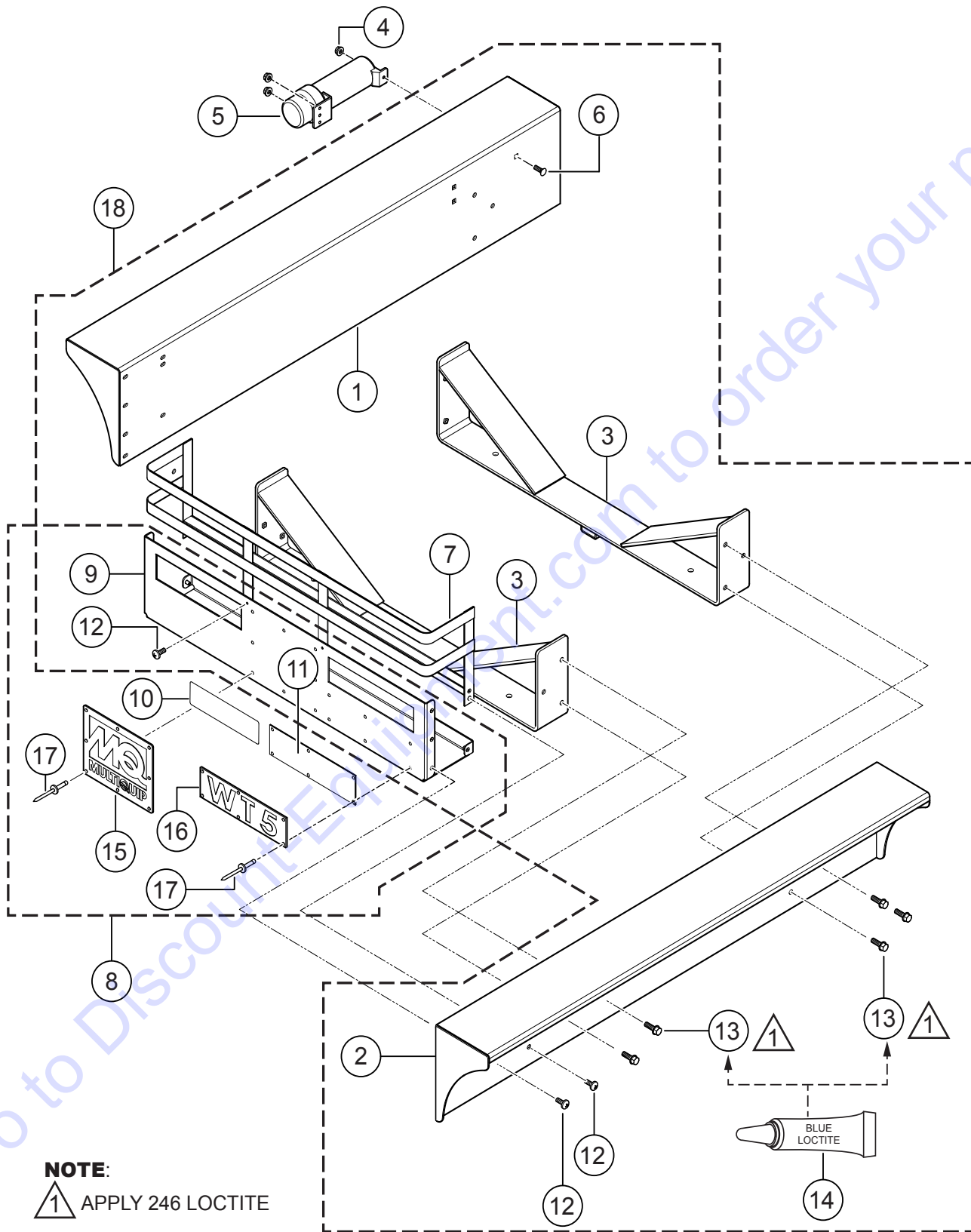


## TANK CRADLE MOUNTING ASSY.

<u>NO.</u>	<u>PART NO.</u>	<u>PART NAME</u>	<u>QTY.</u>	<u>REMARKS</u>
1	915311	SCREW, HHC 5/8"-11 X 2" GRD 8	4	
2	933246	WASHER, FLAT 5/8" SAE GRD 9	8	
3	49048	SCREW, HHFS 1/4"-20 X 3/4" GRD 5	8	
4	49780	SPRAY BAR, REAR	1	
5	49781	NOZZLE, SPRAY, 3/4"	2	
6	59014	HOSE, RUBBER, 1-1/2", 125 PSI (7 FT.)	7	1PC=1FT
7	937188	NUT, NYLOC 5/8"-11, GRD 8	4	
8	12277	CLAMP, HOSE WORM #36	4	
9	HSQ220	HOSE, SUCTION, 2" X 20' QUICK COUP.	1	
10	0742303050	PLASTIC STRAINER	1	

Go to Discount-Equipment.com to order your parts

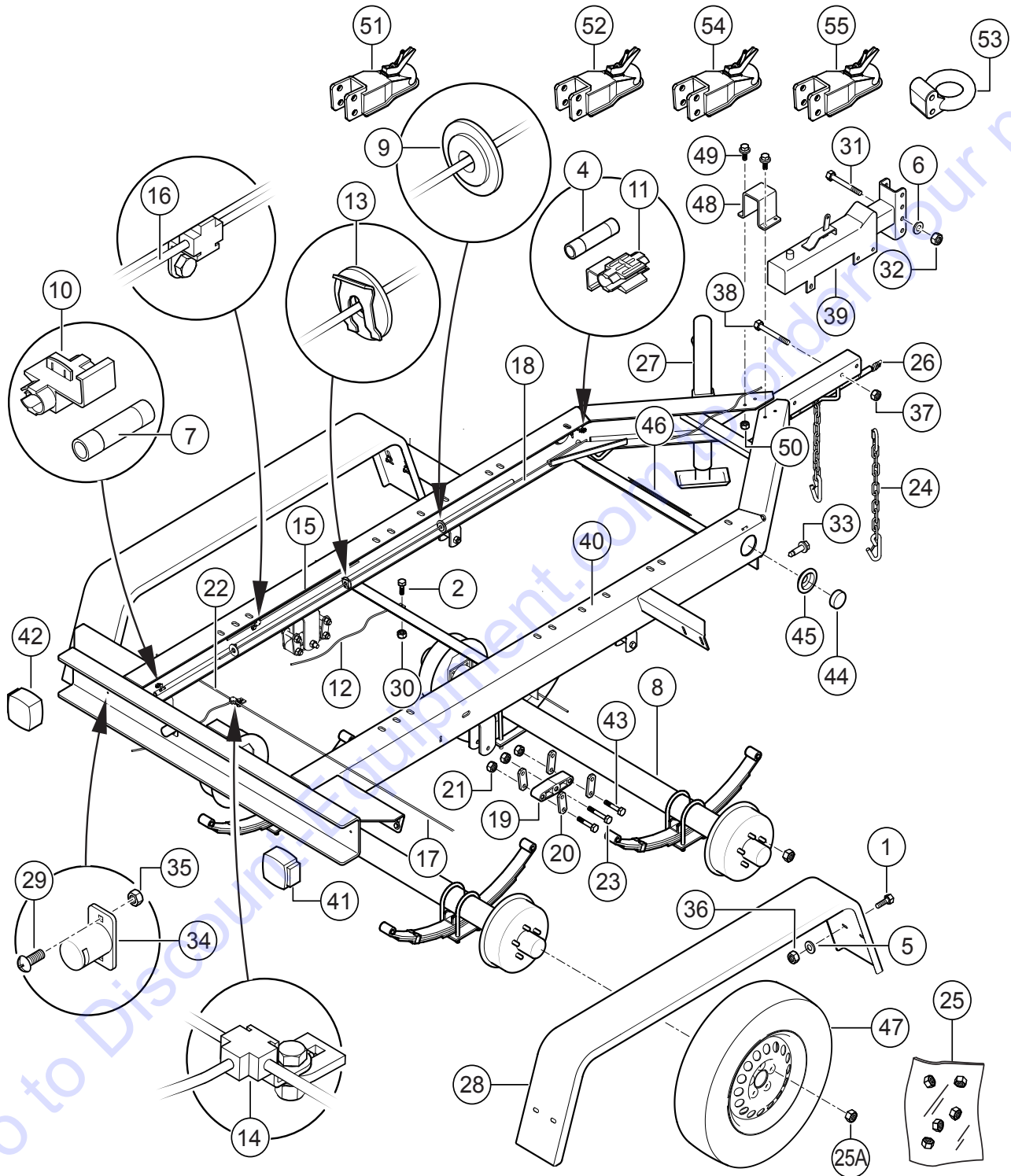
# TANK CRADLE ASSY.



## TANK CRADLE ASSY.

<u>NO.</u>	<u>PART NO.</u>	<u>PART NAME</u>	<u>QTY.</u>	<u>REMARKS</u>
1%	49635	CRADLE, SHELF, LH	1	
1@	49635-SG	CRADLE, SHELF LH GREEN .....	1	WT5HPSG ONLY
2%	49634	CRADLE, SHELF, RH	1	
2@	49634	CRADLE SHELF, RH GREEN .....	1	WT5HPSG ONLY
3%	49629	CRADLE BASE	2	
3@	49629-SG	CRADLE BASE.....	2	WT5HPSG ONLY
4	49070	NUT, FLANGED 1/4"-20	3	
5	23297	MANUAL HOLDER	1	
6	29712	BOLT, CARRIAGE 1/4"-20 X 3/4"	3	
7%@	49622	BASKET, REAR, UPPER	1	
8	49626	BASKET, REAR, ASSY. ....	1	INCLUDES ITEMS W/#
8	49626-SG	BASKET, REAR, ASSY., GREEN .....	1	INCLUDES ITEMS W/\$
9%#	49625	BASKET, REAR, TRAY	1	
9\$@	49625-SG	BASKET, REAR, TRAY, GREEN.....	1	WT5HPSG ONLY
10#	49618	DECAL, CRADLE BADGE	1	
10\$	59048	DECAL, CRADLE BADGE-SG .....	1	WT5HPSG ONLY
11#\$	49624	BADGE, CRADLE, BACKING	1	
12%@\$	49048	SCREW, HHFS 1/4"-20 X 3/4" GRD 5	14	
13%@	9091	SCREW, HHFS 5/16"-18 X 1' GRD 5	12	
14	60097	LOCTITE, #246 BLUE	AR	
15#	49617	BADGE, CRADLE, REAR	1	
15\$	59047	BADGE, CRADLE, REAR-SG .....	1	WT5HPSG ONLY
16#\$	49623	BADGE, CRADLE	1	
17#\$	19847	RIVET, POP, ALUM., 3/16" X 1/8"-1/4" GRIP	14	
18	49637	TANK CRADLE ASSY.....	1	INCLUDES ITEMS W/%
18	49637-SG	TANK CRADLE ASSY., GREEN .....	1	INCLUDES ITEMS W/@ WT5HPSG ONLY

# HYDRAULIC TRAILER ASSY.

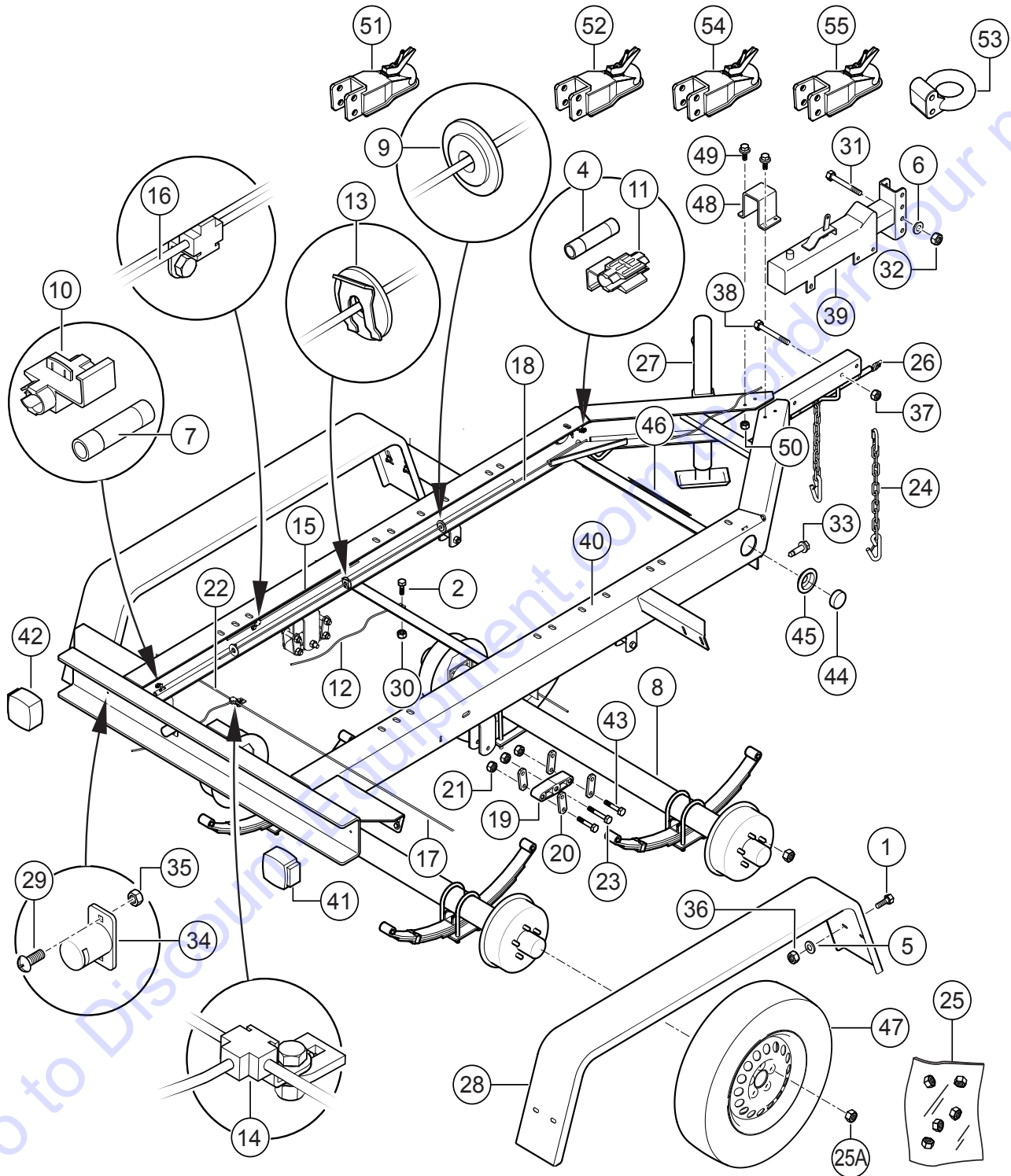




## HYDRAULIC TRAILER ASSY.

<u>NO.</u>	<u>PART NO.</u>	<u>PART NAME</u>	<u>QTY.</u>	<u>REMARKS</u>
1	0205	SCREW, HHC 3/8"-16 X 1"	8	
2	0655	SCREW, HHC 5/16"-18 X 3/4"	3	
4	2540	CONNECTOR, BUTT SPLICE, 16-14	3	
5	4001	WASHER, FLAT USS 3/8" PLTD.	16	
6	4684	WASHER, FLAT SAE 5/8" PLTD.	2	
7	9512	INSULATOR, WIRING .50 DIA.	8	
8	19070	AXLE	2	
9	19468	GROMMET, 3/16" X 1/2" ID. X 1-1/4" OD.	1	
10	19761	TERMINAL, SPLICE 16-14 CLSD', BLUE	1	
11	19762	TERMINAL, SPLICE 16-14 CLSD', BRN/WHT	1	
12	19763	HOSE, DOT BRAKE, 3/16" X 19", MALE/FEM	3	
13	29226	TAB, SPRING LOCK	3	
14	29227	TEE, BRAKE LINE 3/16" W/ STRAP	3	
15	29236	TUBE, BRAKE 5.5"	1	
16	29237	TUBE, BRAKE 3/16" X 20"	1	
17	29238	TUBE, BRAKE 3/16" X 41-1/2"	2	
18	29239	BRAKE LINE 74"	1	
19	29246	EQUALIZER, TANDEM AXLE	2	
20	29247	SHACKLE, AXLE MOUNTING	8	
21	29249	NUT, 9/16"-18 AXLE MOUNTING N-2	14	
22	29251	TUBE, BRAKE 15"	2	
23	29317	SCREW, 9/16" X 3-1/2" AXLE MOUNTING	2	
24	49537	CHAIN, SAFETY TOWING, 6600 LB.	2	
25	29755	KIT, LUG NUTS, 1/2"-20 PLTD.....	1	INCLUDES ITEMS W/%
25A%	29194	NUT, LUG 1/2"-20 TAPERED CONE, PLTD.	20	
26	29784	HARNES ASSY. 48" LOOM W/4 PIN CONN.	1	
27	49116	JACK, SWIVEL 15" LIFT, 5/8" PIN	1	
28	49842	FENDER, TANDEM 8" X 15.5" X 66"	2	
29	5065 B	SCREW, PHP 10-32 X 1/2"	4	
30	5283	NUT, NYLOC 5/16"-18	3	

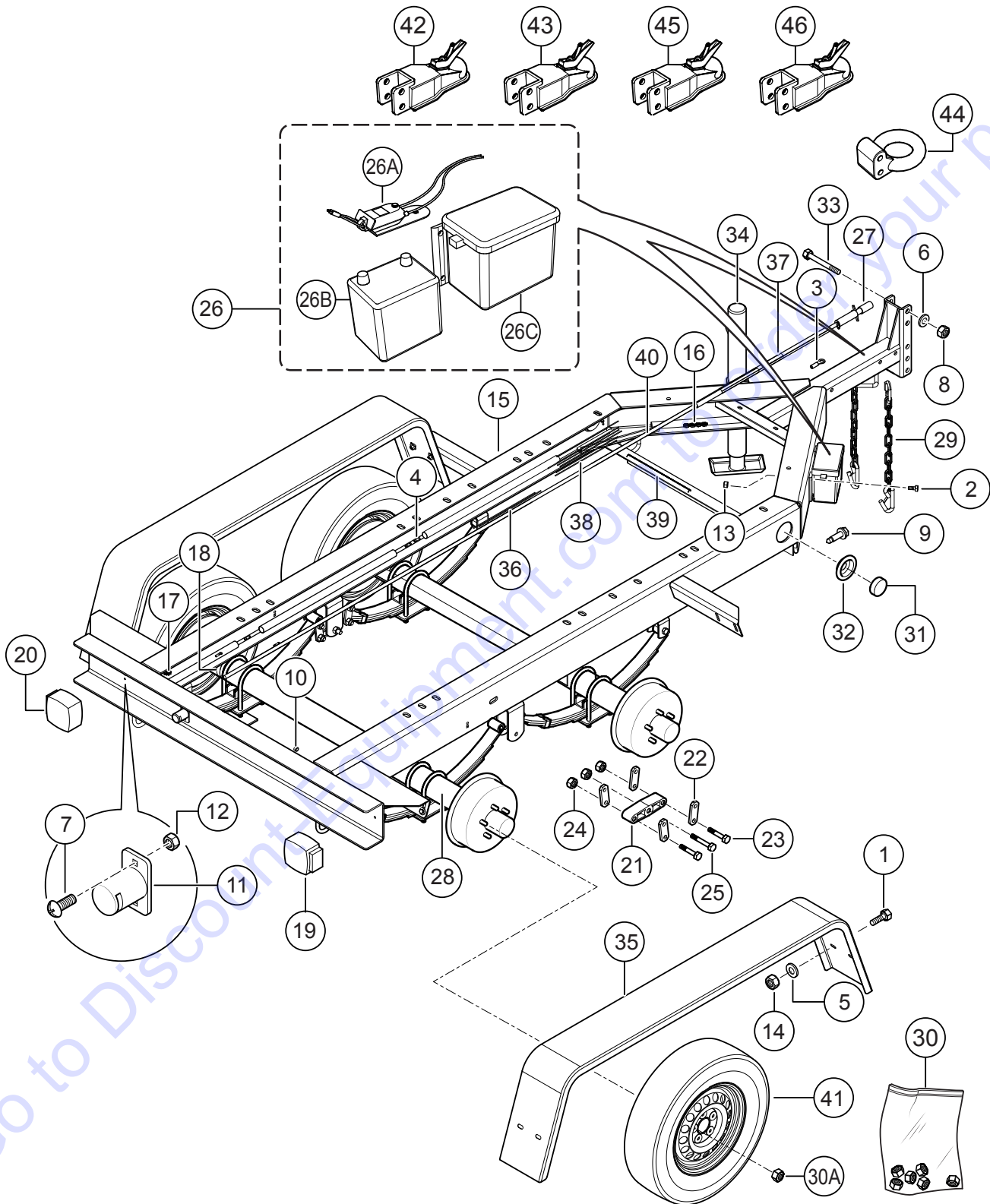
# HYDRAULIC TRAILER ASSY. (CONTINUED)



## HYDRAULIC TRAILER ASSY. (CONTINUED)

<u>NO.</u>	<u>PART NO.</u>	<u>PART NAME</u>	<u>QTY.</u>	<u>REMARKS</u>
31	37826	SCREW, HHC 5/8"-11 X 4-3/4" GRD 8	2	
32	9503	NUT, NYLOC 5/8"-11	2	
33	9509	SCREW, TEK 12 X 3/4" SELF TAP	3	
34	9514	LIGHT ASSY., LICENSE PLATE	2	
35	10019	NUT, NYLOC 10-32	4	
36	10133	NUT, NYLOC 3/8"-16	8	
37	10176	NUT, NYLOC 1/2"-13	3	
38	10306	SCREW, HHC 1/2"-13 X 4-1/2"	3	
39	19067	ACTUATOR, BRAKE	1	
40	19748	FRAME	1	
41	29242	LIGHT, TAIL RT (CURB) SIDE	1	
42	29243	LIGHT, TAIL LT (ROAD) SIDE	1	
43	29248	SCREW, HHC 9/16"-18 X 3"	12	
44	29898	LIGHT, 2-1/2" SIDE MARKER, AMBER	2	
45	29900	GROMMET W/WIRE KIT, 2-1/2"	2	
46	60018	WIRE, 16 GA. BROWN, SAE J1128.....	4	1PC=1FT
47	EE44304	WHEEL ASSY., ST205/75D-14 L/R,"C"	4	
48	49975	BRAKE HOSE COVER, BOLT- ON	1	
49	49048	SCREW, HHFS 1/4"-20 X 3/4" GRD 5	4	
50	49070	NUT, FLANGED 1/4"-20 SERRATED PLTD.	4	
51	EE43253	HITCH, BALL, 2-5/16" (STANDARD).....	1	
52	29228	HITCH, BALL, 2" ADJUSTABLE (OPTION).....	1	
53	29369	HITCH, PINTLE, 3" ADJUSTABLE(OPTION)....	1	
54	EE56638	HITCH, BULLDOG, 2-5/16" BALL, ADJ. (OPT.).	1	
55	EE57033	HITCH, BULLDOG, 2" BALL, ADJ. (OPT.).....	1	

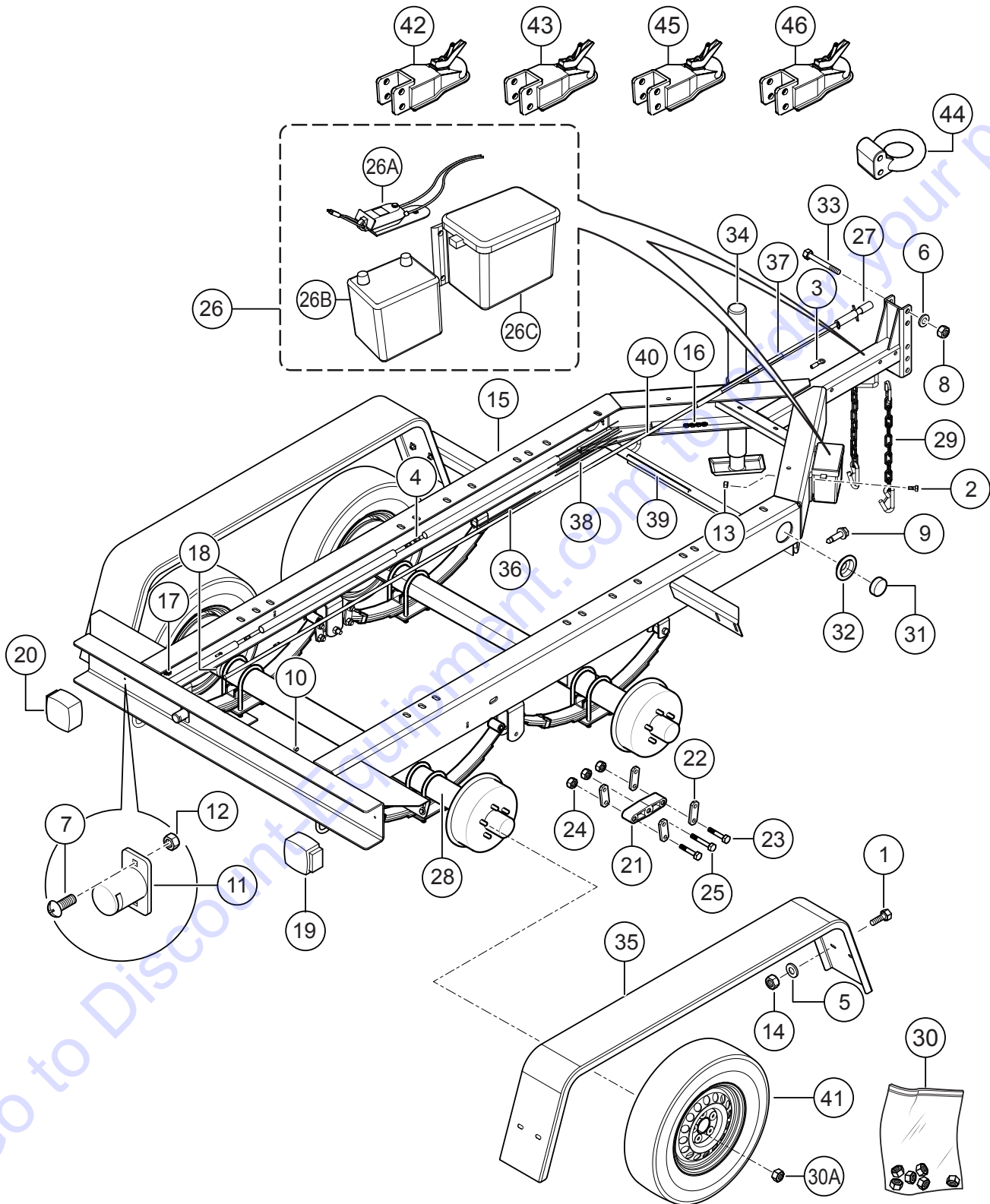
# ELECTRIC TRAILER ASSY.



## ELECTRIC TRAILER ASSY.

<u>NO.</u>	<u>PART NO.</u>	<u>PART NAME</u>	<u>QTY.</u>	<u>REMARKS</u>
1	0205	SCREW, HHC 3/8"-16 X 1.0	8	
2	0730	SCREW, HHC 1/4"-20 X 1	4	
3	1319	TERMINAL, RING 16-14 1/4" LOOP	2	
4	2540	CONNECTOR, BUTT SPLICE, 16-14	4	
5	4001	WASHER, FLAT USS 3/8" PLD	16	
6	4684	WASHER, FLAT SAE 5/8" PLTD	2	
7	5065 B	SCREW, PHP 10-32 X 1/2"	4	
8	9503	NUT, NYLOC 5/8"-11	2	
9	9509	SCREW, TEK 12 X 3/4" SELF TAP	4	
10	9512	INSULATOR, WIRING .50 DIA.	4	
11	9514	LIGHT ASSY., LICENSE PLATE	2	
12	10019	NUT, NYLOC 10-32	4	
13	10024	NUT, NYLOC 1/4"-20	4	
14	10133	NUT, NYLOC 3/8"-16	8	
15	19748E	FRAME,	1	
16	19761	TERM., SPLICE 16-14 CLOSED, BLUE	4	
17	19762	TERM., SPLICE 16-14 CLOSED, BRN/WHT	1	
18	29218	CLAMP, HOSE WORM, 2-1/2" TO 3-1/2"	2	
19	29242	LIGHT, TAIL RT (CURB) SIDE	1	
20	29243	LIGHT, TAIL LH (ROAD) SIDE	1	
21	29246	EQUALIZER, TANDEM AXLE	2	
22	29247	SHACKLE, AXLE MOUNTING	8	
23	29248	SCREW, HHC 9/16"-18	12	
24	29249	NUT, 9/16"-18 AXLE MOUNTING N-2	14	
25	29317	SCREW, 9/16" X 3-1/2" AXLE MOUNTING	2	
26	29366	KIT, BREAK-AWAY .....	1	INCLUDES ITEMS W/#
26A#	EE43519	SWITCH, BREAK-AWAY, KIT	1	
26B#	EE57140	BATTERY, BREAK-AWAY, KIT	1	
26C#	EE57141	BOX, BATTERY, BREAK-AWAY, KIT	1	
27	29367	PLUG/SPRING, 6 POLE TRAILER	1	
27	EE55622	7-PIN CONNECTOR.....	1	OPTION
28	29396	AXLE ASSEMBLY	2	
29	49537	CHAIN, SAFETY TOWING, 6600 LB.	2	
30	29755	KIT, LUG NUTS, 1/2"-20 PLTD.....	1	INCLUDES ITEMS W/%
30A%	29194	NUT, LUG 1/4"-20 TAPERED CONE, PLTD.	20	
31	29898	LIGHT, 2-1/2" SIDE MARKER, AMBER	2	
32	29900	GROMMET W/WIRE KIT, 2-1/2"	2	
33	37826	SCREW, HHC 5/8"-11 X 4-3/4" GRD 8	2	
34	49116	JACK, SWIVEL 15" LIFT, 5/8" PIN	1	
35	49842	FENDER, TANDEM 8 X 15.5 X 65.25	2	
36	60018	WIRE, 16 GA BROWN, SAE J1128.....	4	1PC=1FT
37	60037	LOOM, 5/8" DIA. HI-TEMP, BLK	3	
38	60043	WIRE, 16 GA. GREEN, SAE J1128.....	7	1PC=1FT

# ELECTRIC TRAILER ASSY.(CONTINUED)



## **ELECTRIC TRAILER ASSY.(CONTINUED)**

<u>NO.</u>	<u>PART NO.</u>	<u>PART NAME</u>	<u>QTY.</u>	<u>REMARKS</u>
39	60221	LOOM, .375 SPLIT .....	5.....	1PC=1FT
40	60257	WIRE, TRAILER, 6 COND. 14GA .....	19.....	1PC=1FT
41	EE44304	WHEEL ASSY., ST205/75D-14 L/R,"C"	4	
42	EE43253	HITCH, BALL 2-5/16" (STANDARD) .....	1	
43	29228	HITCH, BALL 2" ADJUSTABLE (OPTION) .....	1	
44	29369	HITCH, PINTLE 3" ADJUSTABLE, (OPTION) ...	1	
45	EE56638	HITCH, BULLDOG, 2-5/16" BALL, ADJ. (OPT.).	1	
46	EE57033	HITCH, BULLDOG, 2" BALL, ADJ. (OPT.).....	1	

Go to Discount-Equipment.com to order your parts

# PARTS FINDER

**Search Website  
by Part Number**



**Search Manual  
Library For Parts  
Manual & Lookup Part  
Numbers – Purchase  
or Request Quote**

**Search Manuals**

Enter your information to help us find the right parts manual for your machine.

\* Brand:

\* Model:

\* Serial:

\* Part Number:

SEARCH

**Can't Find Part or  
Manual? Request Help  
by Manufacturer,  
Model & Description**

**Parts Order Form**

Please fill in the following information to help us find the right part for your machine.

Manufacturer:	<input type="text"/>
Model:	<input type="text"/>
Description:	<input type="text"/>
Part Number:	<input type="text"/>
Quantity:	<input type="text"/>
Notes:	<input type="text"/>

Submit

Discount-Equipment.com is your online resource for quality parts & equipment.

Florida: **561-964-4949** Outside Florida TOLL FREE: **877-690-3101**

**Need parts?**

Click on this link: <http://www.discount-equipment.com/category/5443-parts/> and choose one of the options to help get the right parts and equipment you are looking for. Please have the machine model and serial number available in order to help us get you the correct parts. If you don't find the part on the website or on one of the online manuals, please fill out the request form and one of our experienced staff members will get back to you with a quote for the right part that your machine needs.

We sell worldwide for the brands: Genie, Terex, JLG, MultiQuip, Mikasa, Essick, Whiteman, Mayco, Toro Stone, Diamond Products, Generac Magnum, Airman, Haulotte, Barreto, Power Blanket, Nifty Lift, Atlas Copco, Chicago Pneumatic, Allmand, Miller Curber, Skyjack, Lull, Skytrak, Tsurumi, Husquvarna Target, Stow, Wacker, Sakai, Mi-T-M, Sullair, Basic, Dynapac, MBW, Weber, Bartell, Bennar Newman, Haulotte, Ditch Runner, Menegotti, Morrison, Contec, Buddy, Crown, Edco, Wyco, Bomag, Laymor, EZ Trench, Bil-Jax, F.S. Curtis, Gehl Pavers, Heli, Honda, ICS/PowerGrit, IHI, Partner, Imer, Clipper, MMD, Koshin, Rice, CH&E, General Equipment, Amida, Coleman, NAC, Gradall, Square Shooter, Kent, Stanley, Tamco, Toku, Hatz, Kohler, Robin, Wisconsin, Northrock, Oztec, Toker TK, Rol-Air, APT, Wylie, Ingersoll Rand / Doosan, Innovatech, Con X, Ammann, Mecalac, Makinex, Smith Surface Prep, Small Line, Wanco, Yanmar