

PARTS MANUAL



MODEL WT5C/WTE5C/WT5CSG WATER TRAILERS (HONDA GX120UT2PX2 GASOLINE ENGINE) (QP2HLF CENTRIFUGAL PUMP)

Revision #7 (12/22/22)



THIS MANUAL MUST ACCOMPANY THE EQUIPMENT AT ALL TIMES.

PN 49859

PARTS FINDER

**Search Website
by Part Number**



**Search Manual
Library For Parts
Manual & Lookup Part
Numbers – Purchase
or Request Quote**

Search Manuals

Enter your information to help us find the right parts manual for your machine.

* Brand:

* Model:

* Serial:

* Part Number:

SEARCH

**Can't Find Part or
Manual? Request Help
by Manufacturer,
Model & Description**

Parts Order Form

Please fill in the following information to help us find the right part for your machine.

Manufacturer:	<input type="text"/>
Model:	<input type="text"/>
Description:	<input type="text"/>
Part Number:	<input type="text"/>
Quantity:	<input type="text"/>
Notes:	<input type="text"/>

Submit

Discount-Equipment.com is your online resource for quality parts & equipment.

Florida: **561-964-4949** Outside Florida TOLL FREE: **877-690-3101**

Need parts?

Click on this link: <http://www.discount-equipment.com/category/5443-parts/> and choose one of the options to help get the right parts and equipment you are looking for. Please have the machine model and serial number available in order to help us get you the correct parts. If you don't find the part on the website or on one of the online manuals, please fill out the request form and one of our experienced staff members will get back to you with a quote for the right part that your machine needs.

We sell worldwide for the brands: Genie, Terex, JLG, MultiQuip, Mikasa, Essick, Whiteman, Mayco, Toro Stone, Diamond Products, Generac Magnum, Airman, Haulotte, Barreto, Power Blanket, Nifty Lift, Atlas Copco, Chicago Pneumatic, Allmand, Miller Curber, Skyjack, Lull, Skytrak, Tsurumi, Husquvarna Target, Stow, Wacker, Sakai, Mi-T-M, Sullair, Basic, Dynapac, MBW, Weber, Bartell, Bennar Newman, Haulotte, Ditch Runner, Menegotti, Morrison, Contec, Buddy, Crown, Edco, Wyco, Bomag, Laymor, EZ Trench, Bil-Jax, F.S. Curtis, Gehl Pavers, Heli, Honda, ICS/PowerGrit, IHI, Partner, Imer, Clipper, MMD, Koshin, Rice, CH&E, General Equipment, Amida, Coleman, NAC, Gradall, Square Shooter, Kent, Stanley, Tamco, Toku, Hatz, Kohler, Robin, Wisconsin, Northrock, Oztec, Toker TK, Rol-Air, APT, Wylie, Ingersoll Rand / Doosan, Innovatech, Con X, Ammann, Mecalac, Makinex, Smith Surface Prep, Small Line, Wanco, Yanmar

TABLE OF CONTENTS

WT5C/WTE5C/WT5CSG Water Trailer

Explanation Of Code In Remarks Column.....	4
Suggested Spare Parts	5

Component Drawings

Nameplate And Decals.....	6–7
Water Tank Assembly	8–9
Engine Mounting And Hose Assembly	10–11
Manifold Assembly.....	12–13
Manifold Valve Assembly	14–15
Rear Spray Valve Assembly	16–17
Tank Cradle Mounting Assembly	18–19
Tank Cradle Assembly	20–21
Hydraulic Trailer Assembly	22–25
Electric Trailer Assembly.....	26–29

NOTICE

Specifications and part numbers are subject to change without notice.

EXPLANATION OF CODE IN REMARKS COLUMN

The following section explains the different symbols and remarks used in the Parts section of this manual. Use the help numbers found on the back page of the manual if there are any questions.

NOTICE

The contents and part numbers listed in the parts section are subject to change **without notice**. Multiquip does not guarantee the availability of the parts listed.

SAMPLE PARTS LIST

NO.	PART NO.	PART NAME	QTY.	REMARKS
1	12345	BOLT	1	INCLUDES ITEMS W/%
2%		WASHER, 1/4 IN.		NOT SOLD SEPARATELY
2%	12347	WASHER, 3/8 IN. ...	1	MQ-45T ONLY
3	12348	HOSE	A/R	MAKE LOCALLY
4	12349	BEARING	1	S/N 2345B AND ABOVE

NO. Column

Unique Symbols — All items with same unique symbol (@, #, +, %, or >) in the number column belong to the same assembly or kit, which is indicated by a note in the “Remarks” column.

Duplicate Item Numbers — Duplicate numbers indicate multiple part numbers, which are in effect for the same general item, such as different size saw blade guards in use or a part that has been updated on newer versions of the same machine.

NOTICE

When ordering a part that has more than one item number listed, check the remarks column for help in determining the proper part to order.

PART NO. Column

Numbers Used — Part numbers can be indicated by a number, a blank entry, or TBD.

TBD (To Be Determined) is generally used to show a part that has not been assigned a formal part number at the time of publication.

A blank entry generally indicates that the item is not sold separately or is not sold by Multiquip. Other entries will be clarified in the “Remarks” Column.

QTY. Column

Numbers Used — Item quantity can be indicated by a number, a blank entry, or A/R.

A/R (As Required) is generally used for hoses or other parts that are sold in bulk and cut to length.

A blank entry generally indicates that the item is not sold separately. Other entries will be clarified in the “Remarks” Column.

REMARKS Column

Some of the most common notes found in the “Remarks” Column are listed below. Other additional notes needed to describe the item can also be shown.

Assembly/Kit — All items on the parts list with the same unique symbol will be included when this item is purchased.

Indicated by:

“INCLUDES ITEMS W/(unique symbol)”

Serial Number Break — Used to list an effective serial number range where a particular part is used.

Indicated by:

“S/N XXXXX AND BELOW”

“S/N XXXX AND ABOVE”

“S/N XXXX TO S/N XXX”

Specific Model Number Use — Indicates that the part is used only with the specific model number or model number variant listed. It can also be used to show a part is NOT used on a specific model or model number variant.

Indicated by:

“XXXXX ONLY”

“NOT USED ON XXXX”

“Make/Obtain Locally” — Indicates that the part can be purchased at any hardware shop or made out of available items. Examples include battery cables, shims, and certain washers and nuts.

“Not Sold Separately” — Indicates that an item cannot be purchased as a separate item and is either part of an assembly/kit that can be purchased, or is not available for sale through Multiquip.

SUGGESTED SPARE PARTS

WT5C/WTE5C/WT6CSG WATER TRAILER WITHQP2HLF PUMP AND GX120U1PX2 HONDA ENGINE

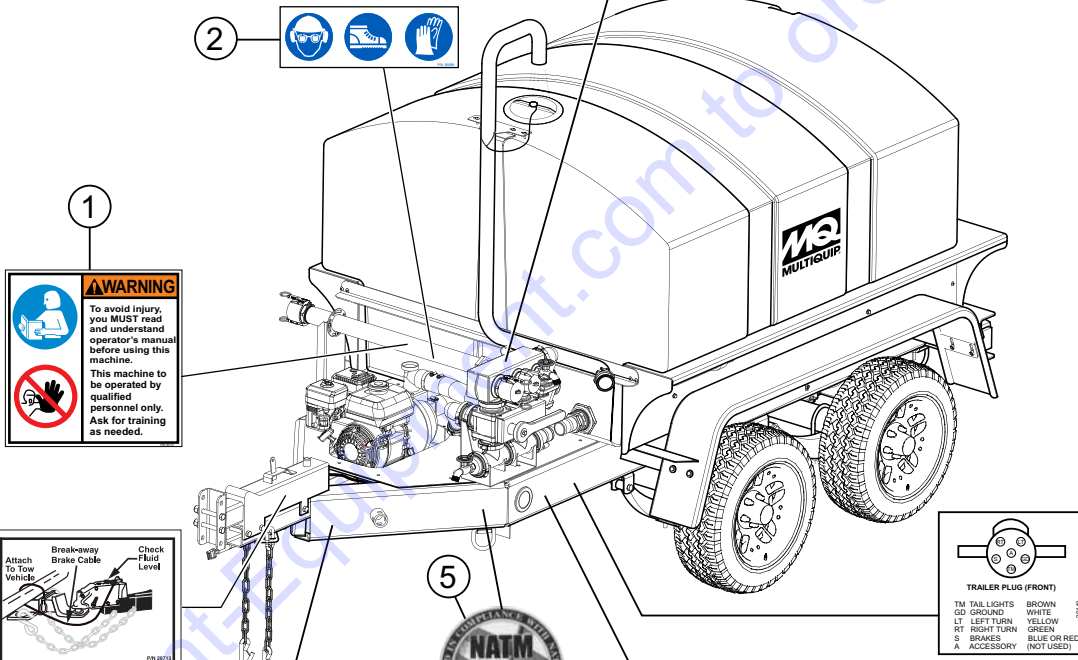
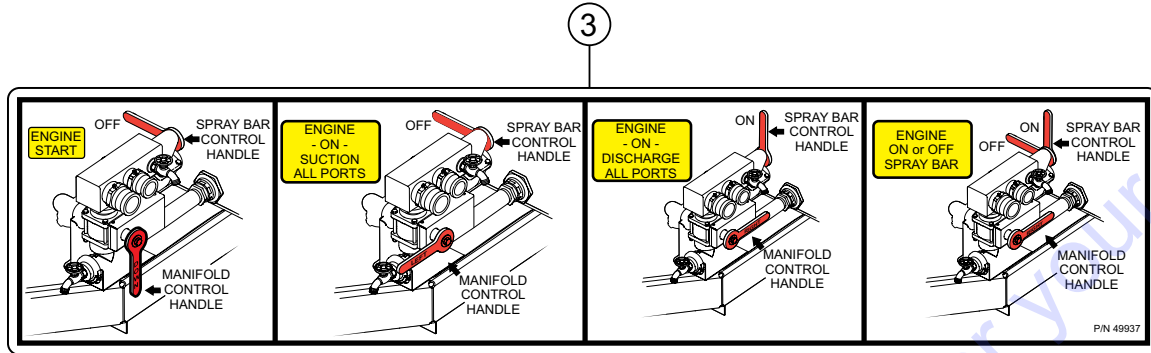
1 to 3 units

Qty.	P/N	Description
1.....	KIT204.....	KIT, PUMP, MECHANICAL SEAL, O-RINGS & ADJ. LINERS
1.....	0631211100.....	ASSY DRAIN CAP, FLOODING, W/ O-RING
2.....	17210ZE0505.....	ELEMENT, AIR CLEANER, DUAL
3.....	9807955855.....	SPARK PLUG
1.....	28462ZH8003.....	ROPE, RECOIL STARTER
1.....	17620Z0T305.....	CAP, FUEL W/ GASKET

NOTICE

Part numbers on this Suggested Spare Parts list may supersede/replace the part numbers shown in the following parts lists.

NAMEPLATE AND DECALS



WARNING

To avoid injury, you **MUST** read and understand operator's manual before using this machine.

This machine to be operated by qualified personnel only. Ask for training as needed.

WARNING

Trailer can roll if it comes loose. Safety brake applies when cable pulls brake lever.

1. ATTACH brake cable securely to tow vehicle so lever will be pulled if trailer separates.
2. CHECK brake fluid level.
3. DO NOT TOW trailer if brake fluid is NOT FULL.

TRAILER PLUG (FRONT)

TM	TAIL LIGHTS	BROWN
GD	GROUND	WHITE
LT	LEFT TURN	YELLOW
RT	RIGHT TURN	GREEN
S	BRAKES	BLUE OR RED
A	ACCESSORY (NOT USED)	

WARNING

Unhooking will cause trailer to come loose from tow vehicle. You must:

1. CHECK the full LOAD RATED in same as or greater than trailer LOAD RATING.
2. CHECK the full RATED in same as or greater than trailer LOAD RATING.
3. CHECK the full RATED in same as or greater than trailer LOAD RATING.
4. CHECK the full RATED in same as or greater than trailer LOAD RATING.

Letting men prevent trailer from being hit by other vehicles. You must:

1. CONNECT trailer and tow vehicle electrical connection.
2. CHECK all lights, turn signal, and brake lights.
3. DO NOT TOW if lights are not working.

Try, wheel or lug nut tightener can cause loss of control. Before towing, you must CHECK:

1. Tire pressure and tread.
2. Tire and wheel for damage.
3. Lug nuts for tightness.

For one and two wheel, red-lighten lug nuts at the front 10, 20 and 30 miles of driving.

Use only Shimano ONLY

MANUFACTURED BY (FABRIQUE) FAR: MULTIGROUP INC. DATE: _____
 MODEL (TYPE) / YEAR (ANNEE) / PRESS (PRESSION) / COULEUR (COLOR) / FINISH (FINISSE)
 QUANTITE (QUANTITY) / TIME (HEURE) / RPM (RPM) / DATE (DATE)
 THE MODEL CONFORME TO ALL APPLICABLE FEDERAL, STATE AND LOCAL SAFETY STANDARDS IN EFFECT ON THE DATE OF MANUFACTURE SHOWN ABOVE.
 LE MODELE CONFORME A TOUTES LES NORMES FEDERALES, ETATALES ET LOCALES EN VIGUEUR A LA DATE DE FABRICATION INDIQUEE CI-DESSUS.

TIRE AND WHEEL INFORMATION

The weight of any added equipment is to be included in the total weight of the trailer.

TIRES	SPCS	PRESS (PSI)	TIRES (PNEUS)	SPCS (PNEUS)

Blank area for decal.

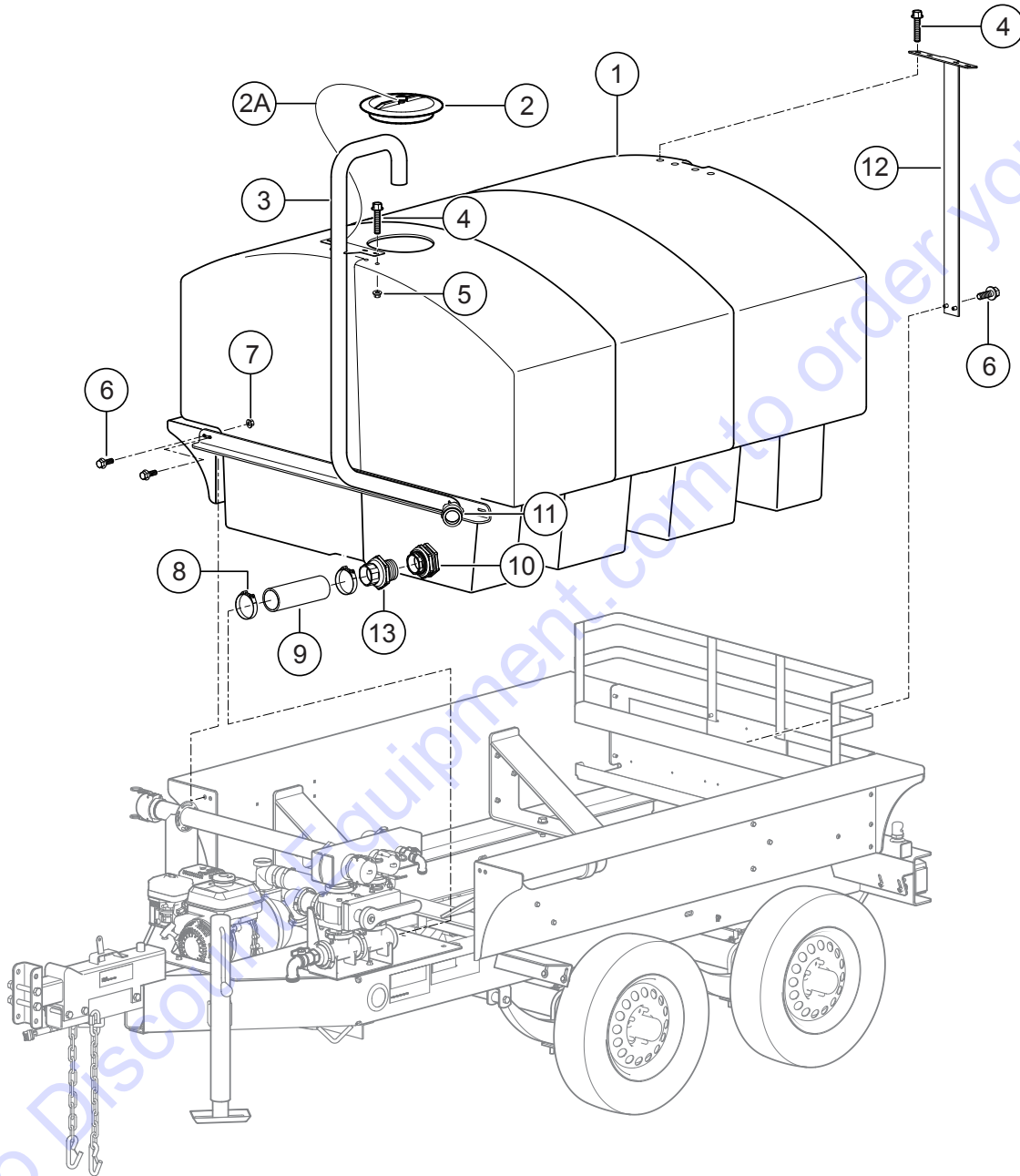
Blank area for nameplate.

NAMEPLATE AND DECALS

<u>NO.</u>	<u>PART NO.</u>	<u>PART NAME</u>	<u>QTY.</u>	<u>REMARKS</u>
1	35137	DECAL, READ MANUAL ASK FR TRAINING 2.75"	1	
2	36099	DECAL, PROTECTIVE CLOTHING	1	
3	49937	DECAL, VALVE OPERATION, WTC	1	
4	29440	DECAL, PLUG WIRING	1WTE5C ONLY
5	EE56342	DECAL, NATM COMPLIANCE	1	
6	49002	DECAL, TRLR HITCH/WHEEL WARNING	1	
7	EE56313	OVERLAY, VIN LABEL	1	
8	EE56314	OVERLAY, TIRE LABEL	1	
9		LABEL, VIN AND TIRE	1	
10	29713	DECAL, BRAKE FLUID CHECK	1	

Go to Discount-Equipment.com to order your parts

WATER TANK ASSY.

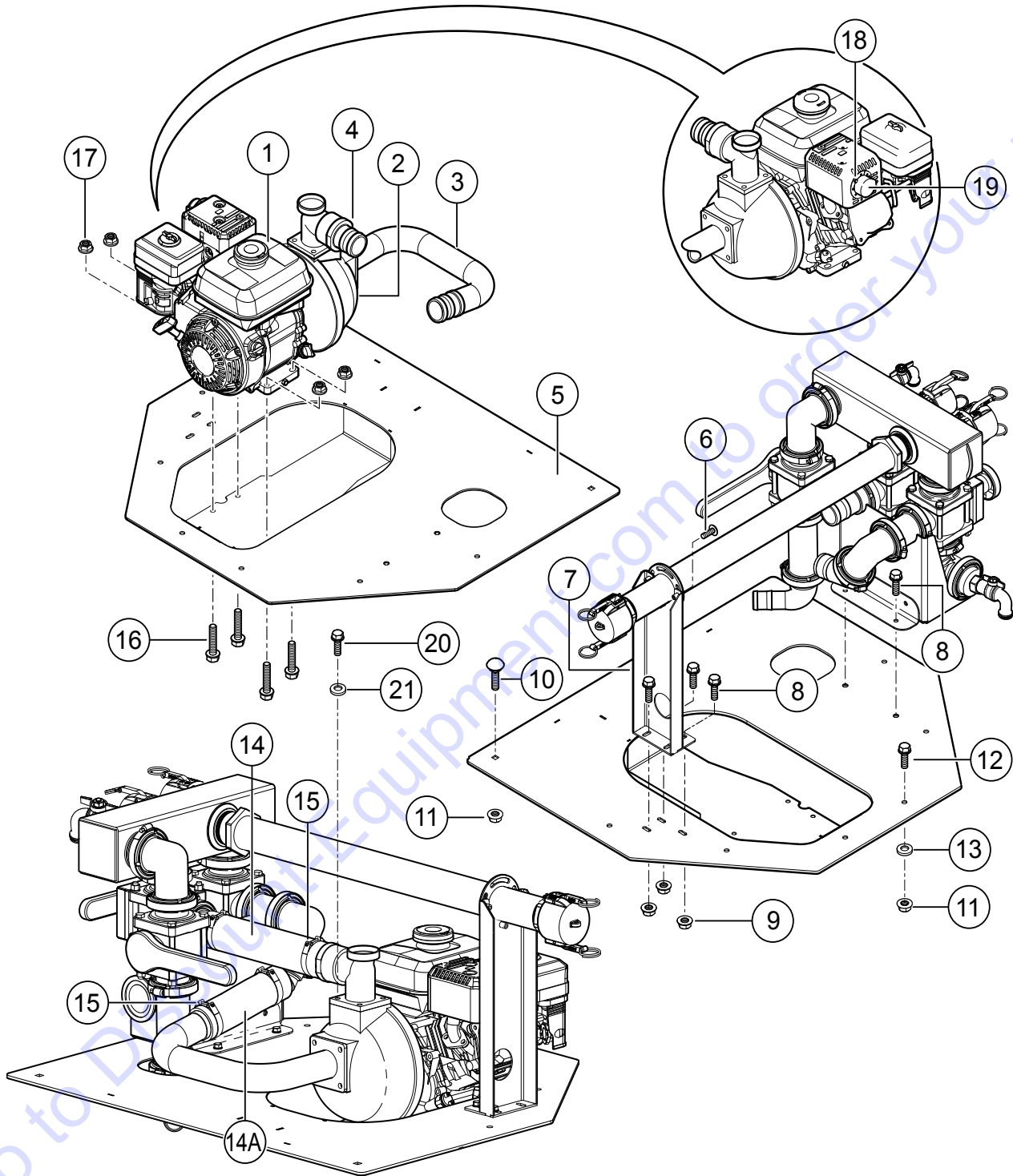


WATER TANK ASSY.

<u>NO.</u>	<u>PART NO.</u>	<u>PART NAME</u>	<u>QTY.</u>	<u>REMARKS</u>
1@		TANK, 500 GAL.....	1.....	NOT SERVICED SEPARATELY
2@	49906	LID, TANK	1	
2A@	49910	LANYARD, LID	1	
3	49765	RISER, HYDRANT FILL, ASSY.	1.....	INCLUDES ITEMS W/%
4	23619	SCREW, HHFS 1/4-20 X 1-1/4" ZP	4	
5@	34159	NUT, BLIND 1/4-20 BULB TYPE	8	
6	49048	SCREW, HHFS 1/4-20 x 3/4" GR5	6	
7	49070	NUT, FLANGED, 1/4-20 SERRATED PLTD	4	
8	49783	CLAMP, HOSE, BARREL, 2.2-2.5"	2	
9	59013	HOSE, RUBBER, 2", 125PSI 5.5" LONG	1	
10@	49768	FITTING, BULKHEAD, 2", BNJ	1	
11%	49672	FITTING, 2" FNPT X 2" M CAM & GROOVE	1	
12	49893	BRACKET TANK SUPPORT	1	
13@	49903	FITTING, 2" MNPT X 2" BARB TRIMMED	1	
14	49769-SK	TANK ASSY., 500 GAL.....	1.....	INCLUDES ITEMS W/@

Go to Discount-Equipment.com to order your parts

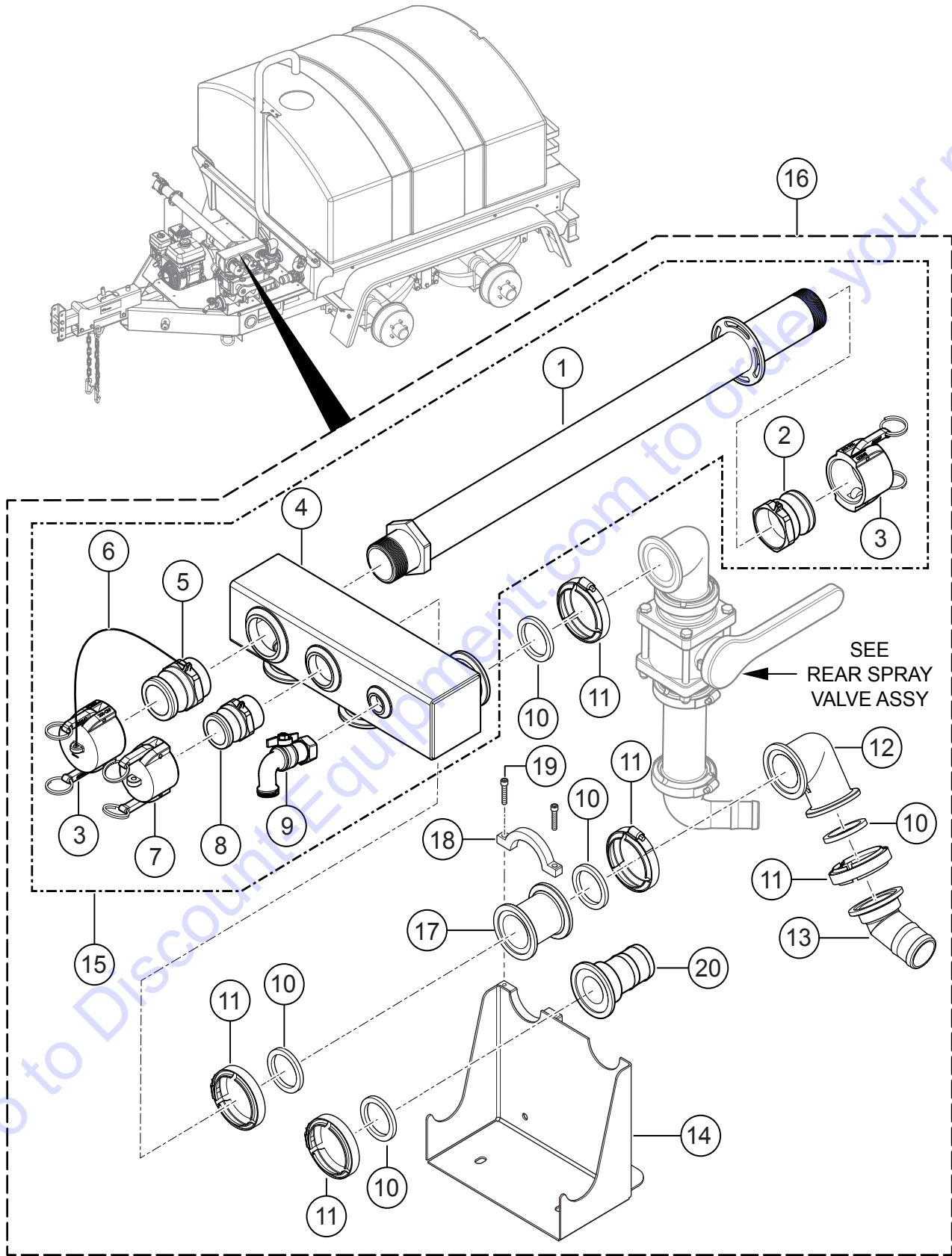
ENGINE MOUNTING AND HOSE ASSY.



ENGINE MOUNTING AND HOSE ASSY.

<u>NO.</u>	<u>PART NO.</u>	<u>PART NAME</u>	<u>QTY.</u>	<u>REMARKS</u>
1#	GX120U1PX2	ENGINE, HONDA	1	
2	QP2HLF	PUMP, CENTRIFUGAL, LESS FRAME	1	INCLUDES ITEMS W/#
3	49761	PUMP INLET W/A, 2" BARB	1	
4	49762	FITTING, 2" NPSM X 2" BARB	1	
5	49939	DECK PLATE W/A	1	
5	49939-SG	DECK PLATE W/A, GREEN.....	1	WT5CSG ONLY
6	49048	SCREW, HHFS 1/4-20 X 3/4" GRD 5	3	
7	49743	SUPPORT, SIDE SPRAY, W/A	1	
8	9091	SCREW, HHFS 5/16-18 X 1", GR5	5	
9	49071	NUT, FLANGED 5/16-18 SERRATED PLTD	3	
10	23517	BOLT, CARRIAGE 3/8-16 X 1-1/4", GR5	2	
11	10133	NUT, NYLOC 3/8-16	8	
12	22106	SCREW, HHFS 3/8-16 X 1-1/4" ZINC	6	
13	3233	WASHER, FENDER, 1.5 OD X 3/8 ID	6	
14	59012	HOSE, RUBBER, 2", 125PSI 12" LONG	1	
14A	59015	HOSE, RUBBER, 2", 125PSI 8" LONG	1	
15	49783	CLAMP, HOSE, BARREL, 2.3-2.6	4	
16	21906	SCREW, HHFS 5/16-18 X 1-1/2" GRD 5	4	
17	49071	NUT, FLANGED 5/16-18 SERRATED PLTD	4	
18	1273	SCREW, HHWTC 8-32 X 3/8"	2	
19	1834	DEFLECTOR, HONDA EXHAUST, 5HP	1	
20	2866	SCREW, HHC M8-1.25 X 20 MM	8	
21	0161 C	WASHER, LOCK 5/16 MED.	8	

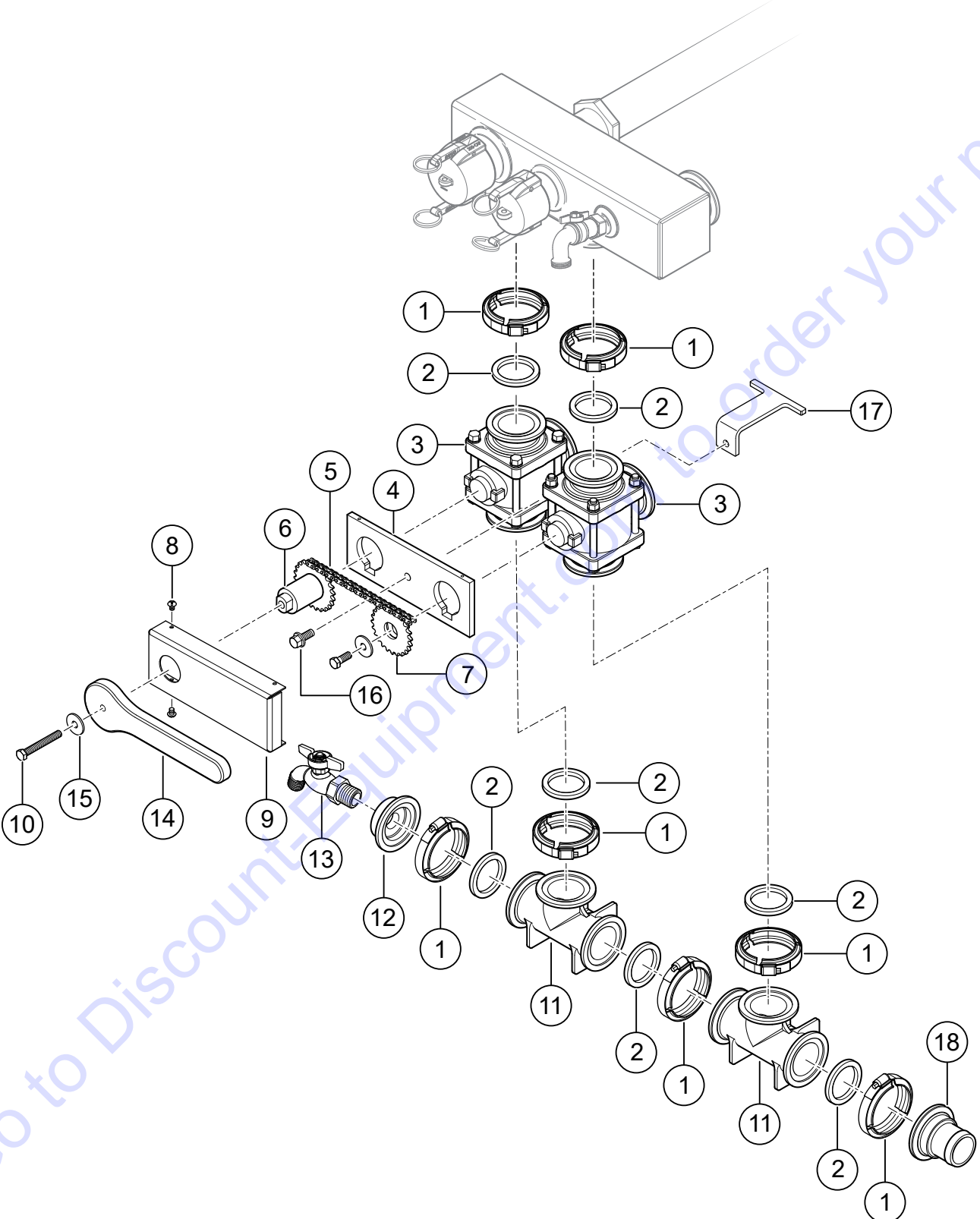
MANIFOLD ASSY.



MANIFOLD ASSY.

<u>NO.</u>	<u>PART NO.</u>	<u>PART NAME</u>	<u>QTY.</u>	<u>REMARKS</u>
1%#	49682	TUBE, SIDE SPRAY, W/A	1	
2%#	49672	FITTING, 2" FNPT X 2" M CAM LEVER	1	
3%#	49667	CAP, DUST, 2", CAM LEVER	2	
4%#	49675	MANIFOLD, UPPER,	1	
5%#	49671	FITTING, 2" MNPT X 2" M CAM LEVER	1	
6%#	49732	LANYARD, 11" POLY	3	
7%#	49668	CAP, DUST, 1-1/2", CAM LEVER	1	
8%#	49673	FITTING, 1-1/2" MNPT X 1-1/2" M CAM	1	
9%#	49683	HOSE BIB, 3/4" MNPT	1	
10#	49663	GASKET, 2" FP, EPDM, BNJ	5	
11#	49664	CLAMP, HOSE WORM, 2" FP, BNJ	5	
12#	49669	FITTING, 90°, 2" FP, BNJ	1	
13#	49774	FITTING, 45°, 2" FP X 2" BARB, BNJ	1	
14#	49904	MANIFOLD SUPPORT W/A	1	
15#	49731	MANIFOLD, UPPER, ASSY.	1	INCLUDES ITEMS W/%
16	49740	MANIFOLD, ASSY.	1	INCLUDES ITEMS W/#
17#	49735	FITTING, NIPPLE, BNJ2" FPX3" L.	1	
18#	49896	CLAMP, HALF, MANIFOLD , TOP	1	
19#	09689-010	SCREW, SHC 1/4-20 X 1-1/4"	2	
20#	49899	FITTING, 2" FP X 2" BARB, BNT	1	

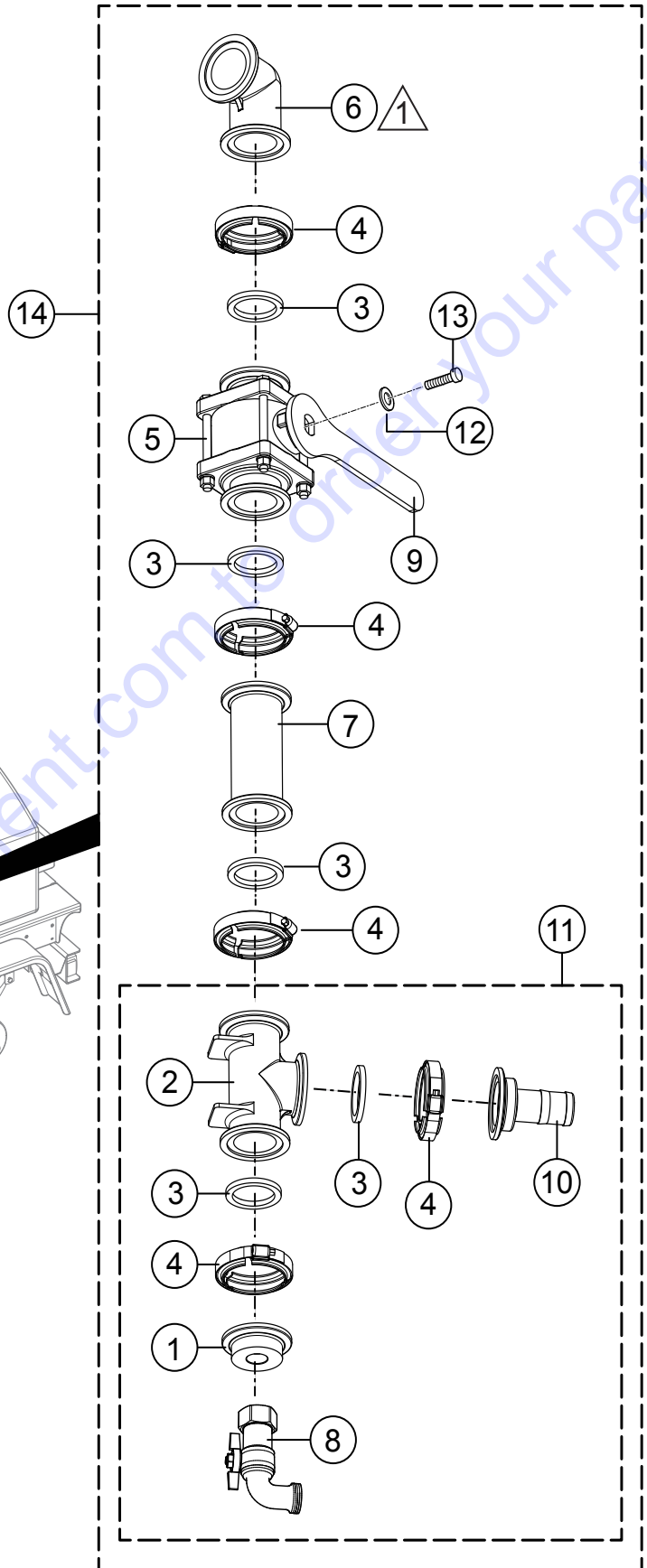
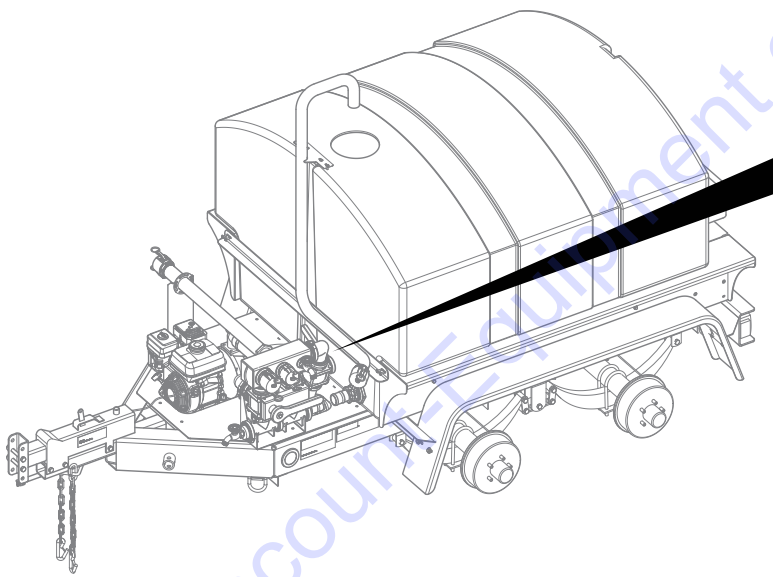
MANIFOLD VALVE ASSY.



MANIFOLD VALVE ASSY.

<u>NO.</u>	<u>PART NO.</u>	<u>PART NAME</u>	<u>QTY.</u>	<u>REMARKS</u>
1	49664	CLAMP, HOSE WORM, 2" FP, BNJ	7	
2	49663	GASKET, 2" FP, EPDM, BNJ	7	
3	49665	VALVE, 2" FP, 3 WAY, BOTTOM LOAD, BNJ	2	
4	49643	SEPARATOR PLATE, VALVE SELECTOR	1	
5	49738	CHAIN, ANSI HD35-1, 56P	1	
6	49642	SPROCKET W/A, DRIVE, VALVE SELEC.	1	
7	49640	SPROCKET W/A, DRIVEN, VAVLE SELEC.	1	
8	0304	SCREW, PHP 10-24 X 1/4" PLTD	4	
9	49647	GUARD, VALVE SELECTOR	1	
10	0169	SCREW, HHC 3/8-16 X 3"	1	
11	49662	FITTING, TEE, 2" FP, BNJ	2	
12	49660	FITTING, 2" FP X 3/4" FNPT, BNJ	1	
13	49683	HOSE BIB, 3/4" MNPT	1	
14	49907	HANDLE, VALVE 2" FP	1	
15	282901-001	WASHER, FENDER 3/8 X 1-1/4"	1	
16	23619	SCREW, HHFS 1/4-20 X 1-1/4', ZP	1	
17	49898	BRACKET, GUARD RETAINER	1	
18	49900	FITTING, 2"FPX 2" BARB, TRIMMED	1	

REAR SPRAY VALVE ASSY.



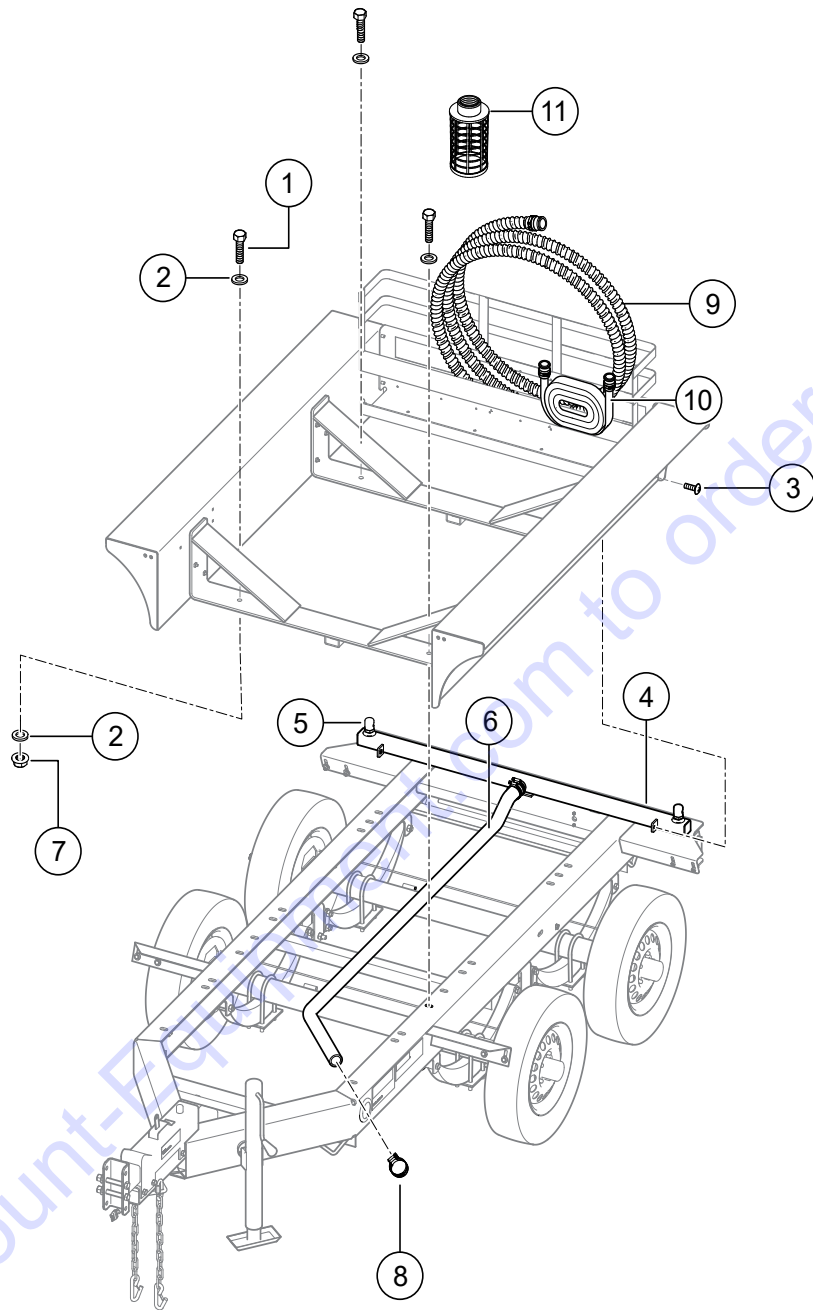
NOTES:

 LONG END TOWARD VALVE ITEM 4

REAR SPRAY VALVE ASSY.

<u>NO.</u>	<u>PART NO.</u>	<u>PART NAME</u>	<u>QTY.</u>	<u>REMARKS</u>
1#	49660	FITTING, 2" FP X 3/4" FNPT, BNJ	1	
2#	49662	FITTING, TEE, 2" FP, BNJ	1	
3#	49663	GASKET, 2" FP, EPDM, BNJ	5	
4#	49664	CLAMP, HOSE WORM, 2" FP, BNJ	5	
5#	49666	VALVE, 2" FP, BNJ	1	
6#	49669	FITTING, 90°, 2" FP, BNJ	1	
7#	49670	FITTING, NIPPLE, 2" FP X 6"L, BNJ	1	
8#	49683	HOSE BIB, 3/4 MNPT	1	
9#	49907	HANDLE, WT5C	1	
10#	59011	FITTING, 2" FP X 1-1/2 BARB, BNJ	1	
11#	49733-1	KIT, H2O, DISCHARGE.....	1	INCLUDES ITEMS W/\$
12#	28290-001	WASHER, FENDER, 3/8 X 1-1/4"	1	
13#	0169	SCREW, HHC 3/8-16 X 3"	1	
14	49733	VALVE ASSY., REAR SPRAY.....	1	INCLUDES ITEMS W/#

TANK CRADLE MOUNTING ASSY.

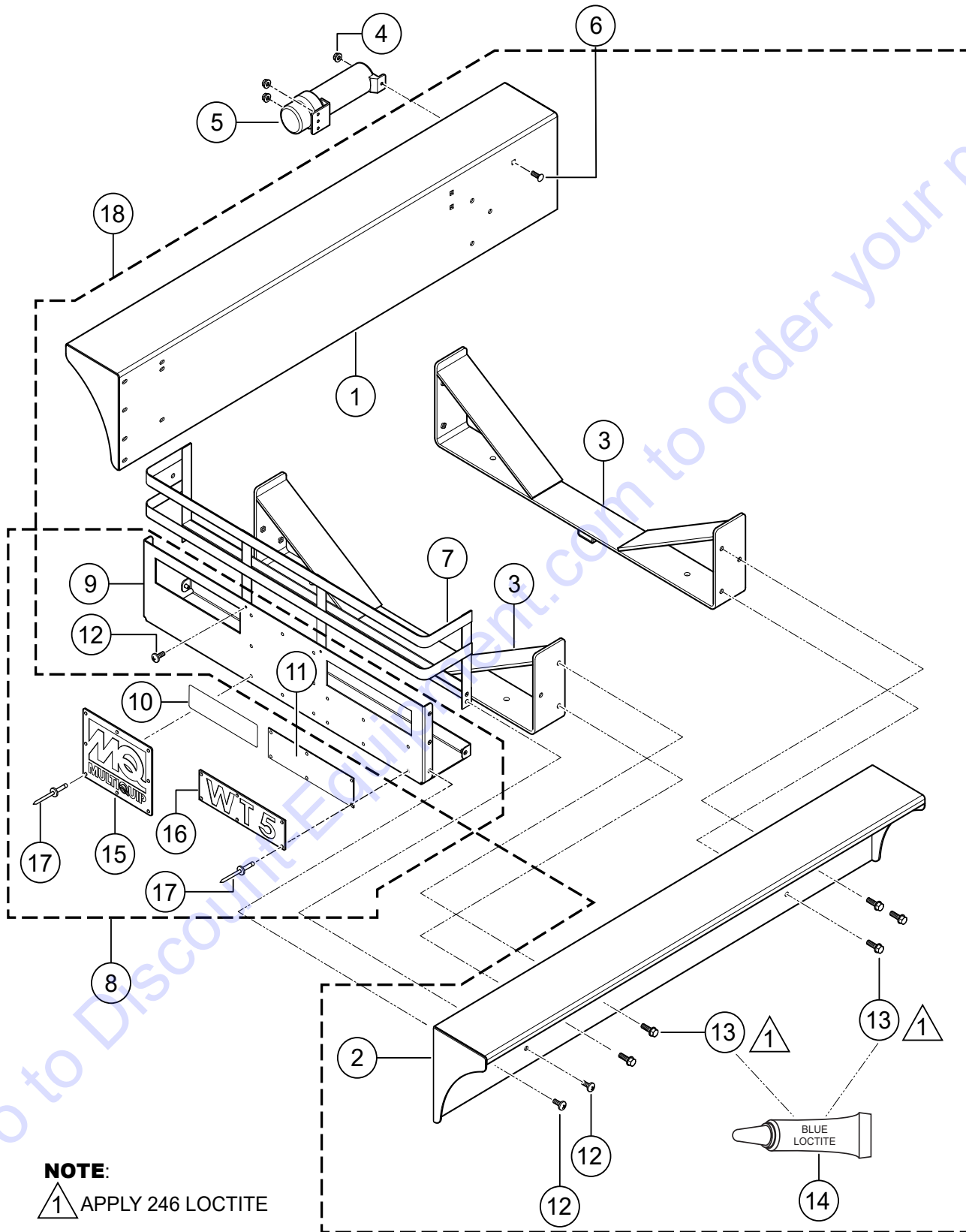


TANK CRADLE MOUNTING ASSY.

<u>NO.</u>	<u>PART NO.</u>	<u>PART NAME</u>	<u>QTY.</u>	<u>REMARKS</u>
1	915311	SCREW, HHC 5/8-11X2" GR8 YZ	4	
2	933246	WASHER, FLAT 5/8" SAE GRD9 YZ	8	
3	12287	SCREW, THP 1/4-20 X 3/4" SS	2	
4	49780	SPRAY BAR, REAR, W/A	1	
5	49781	NOZZLE, SPRAY, 3/4"	2	
6	59014	HOSE, RUBBER, 1-1/2", 125 PSI 7' LONG	1	
7	937188	NUT, NYLOC 5/8-11, GR8	4	
8	12277	CLAMP, HOSE WORM # 36	4	
9	HSQ220	HOSE, SUCTION, 2" X 20' QUICK COUP.	1	
10	HDQ250	HOSE, DISCHARGE, 2" X 50' QUICK COUP.	1	
11	0742303050	PLASTIC STRAINER	1	

Go to Discount-Equipment.com to order your parts

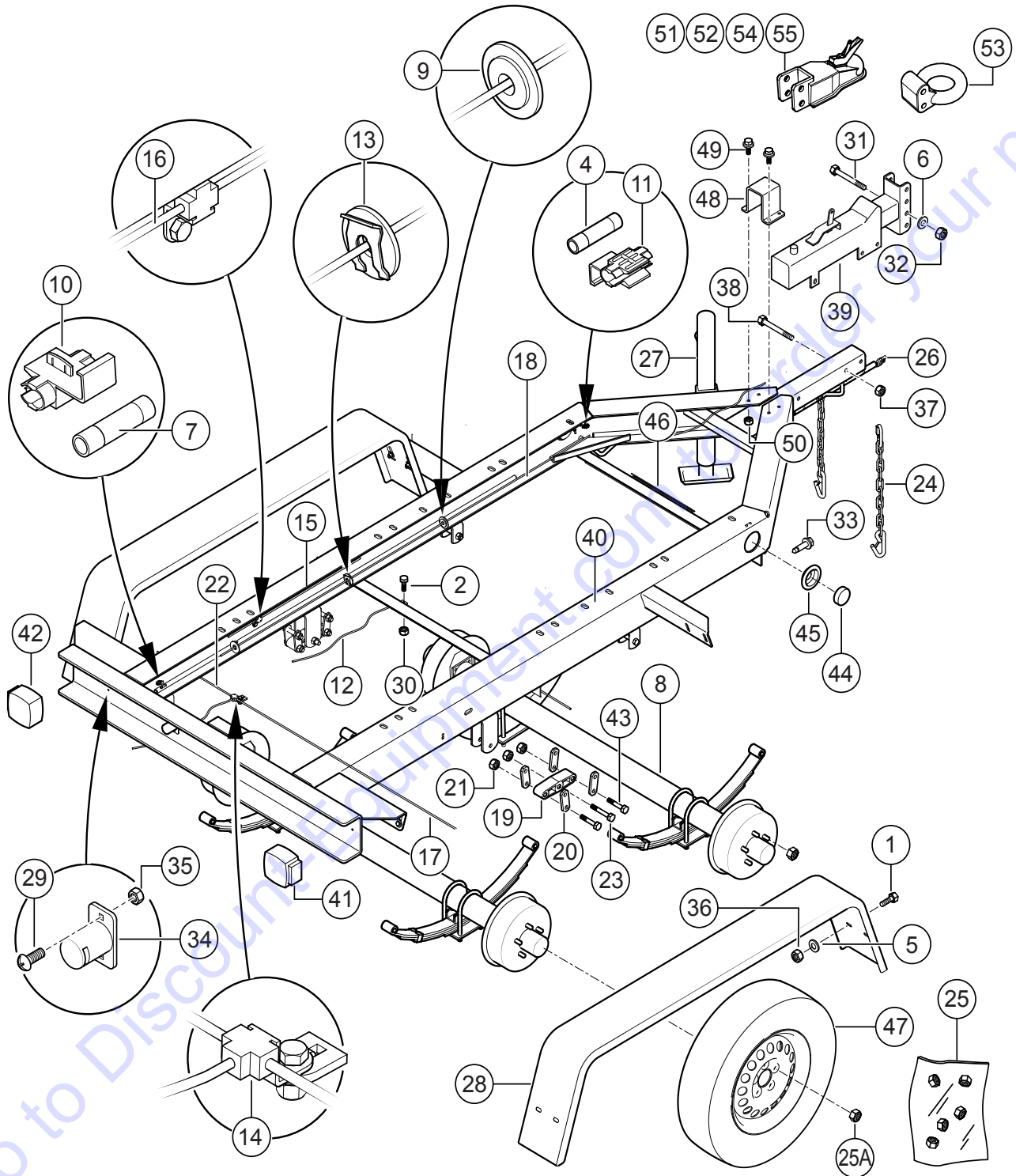
TANK CRADLE ASSY.



TANK CRADLE ASSY.

<u>NO.</u>	<u>PART NO.</u>	<u>PART NAME</u>	<u>QTY.</u>	<u>REMARKS</u>
1%	49635	CRADLE, SHELF, LH	1	
1@	49635-SG	CRADLE, SHELF, LH, GREEN	1	WT5CSG ONLY
2%	49634	CRADLE, SHELF, RH	1	
2@	49634-SG	CRADLE, SHELF, RH, GREEN	1	WT5CSG ONLY
3%	49629	CRADLE BASE	2	
3@	49629-SG	CRADLE BASE, GREEN	2	WT5CSG ONLY
4	49070	NUT, FLANGED 1/4-20 SERRATED PLTD	3	
5	23297	MANUAL HOLDER	1	
6	29712	BOLT, CARRIAGE 1/4-20 X 3/4"	3	
7%@	49622	BASKET, REAR, UPPER	1	
8	49626	BASKET, REAR, ASSY.	1	INCLUDES ITEMS W/#
8	49626-SG	BASKET, REAR, ASSY., GREEN	1	INCLUDES ITEMS W/\$
9%#	49625	BASKET, REAR, TRAY	1	
9\$@	49625-SG	BASKET, REAR, TRAY, GREEN	1	WT5CSG ONLY
10#	49618	DECAL, CRADLE BADGE	1	
10\$	59048	DECAL, CRADLE BADGE-SG	1	WT5CSG ONLY
11#\$	49624	BADGE, CRADLE, WT5, BACKING	1	
12%@	49048	SCREW, HHFS 1/4-20 X 3/4" GRD 5	14	
13%@	9091	SCREW, HHFS 5/16-18 X 1" GRD 5	12	
14	60097	LOCTITE, #246 BLUE	AR	
15#	49617	BADGE, CRADLE, REAR	1	
15\$	59047	BADGE, CRADLE, REAR -SG	1	WT5CSG ONLY
16#\$	49623	BADGE, CRADLE WT 5	1	
17#\$	19847	RIVET, POP, ALUM., 3/16" X 1/8"-1/4" GRIP	14	
18	49637	TANK CRADLE ASSY.	1	INCLUDES ITEMS W/%
18	49637-SG	TANK CRADLE ASSY., GREEN	1	INCLUDES ITEMS W/@ WT5CSG ONLY

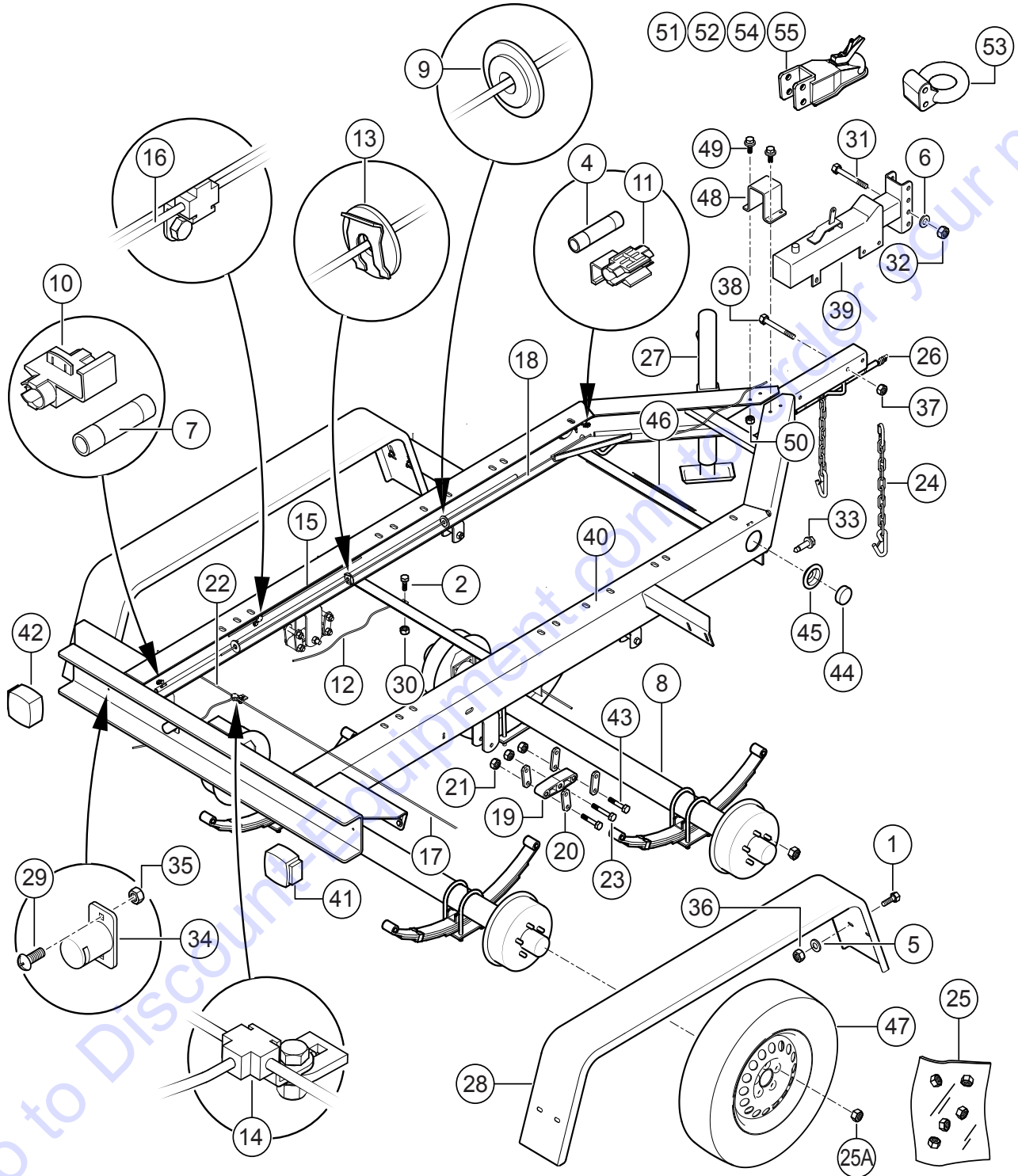
HYDRAULIC TRAILER ASSY.



HYDRAULIC TRAILER ASSY.

<u>NO.</u>	<u>PART NO.</u>	<u>PART NAME</u>	<u>QTY.</u>	<u>REMARKS</u>
1	0205	SCREW, HHC3/8-16 X 1"	8	
2	0655	SCREW, HHC 5/16-18 X 3/4"	3	
4	2540	CONNECTOR, BUTT SPLICE, 16-14	3	
5	4001	WASHER, FLAT USS 3/8 PLTD	16	
6	4684	WASHER, FLAT SAE 5/8 PLTD	2	
7	9512	INSULATOR, WIRING .50 DIA	8	
8	19070	AXLE, TRLR70 COMPLETE W/A	2	
9	19468	GROMMET,3/16 x 1/2ID Xx 1-1/4OD	1	
10	19761	TERMINAL, SPLICE 16-14 CLSD', BLUE	1	
11	19762	TERMINAL, SPLICE 16-14 CLSD', BRN/WHT	1	
12	19763	HOSE, DOT BRAKE, 3/16 X 19", MALE/FEM	3	
13	29226	TAB, SPRING LOCK TRLR70	3	
14	29227	TEE, BRAKE LINE 3/16 W/ STRAP	3	
15	29236	TUBE, BRAKE 5.5"	1	
16	29237	TUBE, BRAKE 3/16 X 20"	1	
17	29238	TUBE, BRAKE 3/16 x 41-1/2"	2	
18	29239	BRAKE LINE 74"	1	
19	29246	EQUALIZER, TANDEM AXLE	2	
20	29247	SHACKLE, AXLE MOUNTING	8	
21	29249	NUT, 9/16-18 AXLE MOUNTING N-2	14	
22	29251	TUBE, BRAKE 15"	2	
23	29317	SCREW, 9/16 X 3-1/2 AXLE MOUNTING	2	
24	49537	CHAIN, SAFETY TOWING, 6600 LB	2	
25	29755	KIT, LUG NUTS, 1/2-20 PLTD.....	1	INCLUDES ITEMS W/%
25A%	29194	NUT, LUG 1/2 - 20 TAPERED CONE, PLTD	20	
26	29784	HARNES ASM 48" LOOM W/4 PIN CONN.	1	
27	49116	JACK, SWIVEL 15" LIFT, 5/8" PIN	1	
28	49842	FENDER, TANDEM 8" x 15.5" x 66"	2	
29	5065 B	SCREW, PHP 10-32 X 1/2"	4	
30	5283	NUT, NYLOC 5/16-18	3	

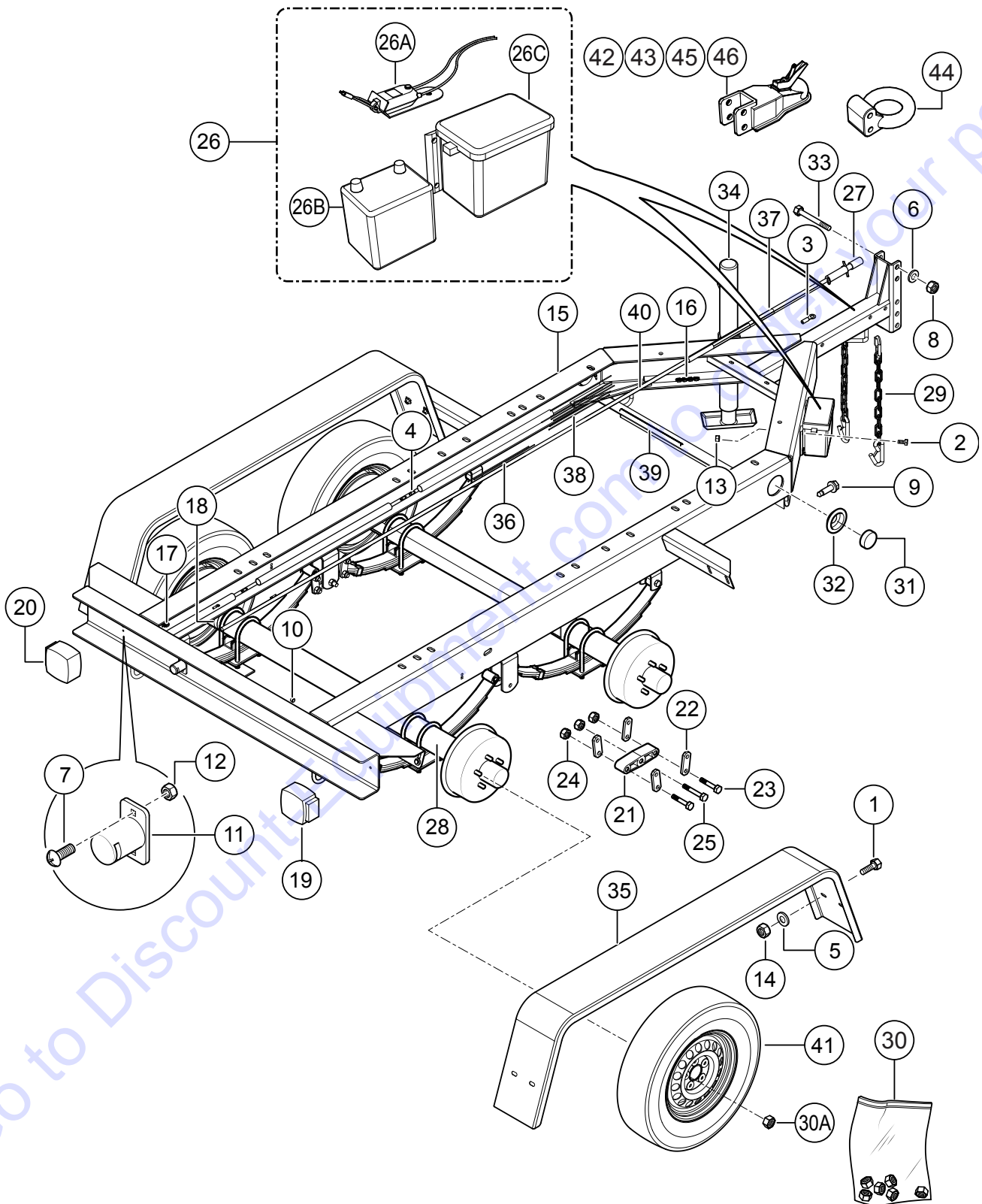
HYDRAULIC TRAILER ASSY. (CONTINUED)



HYDRAULIC TRAILER ASSY. (CONTINUED)

<u>NO.</u>	<u>PART NO.</u>	<u>PART NAME</u>	<u>QTY.</u>	<u>REMARKS</u>
31	37826	SCREW, HHC 5/8-11 X 4-3/4" GRD 8 YZ	2	
32	9503	NUT, NYLOC 5/8-11	2	
33	9509	SCREW, TEK 12 X 3/4 SELF TAP	3	
34	9514	LIGHT ASM, LICENSE PLATE	2	
35	10019	NUT, NYLOC 10-32	4	
36	10133	NUT, NYLOC 3/8-16	8	
37	10176	NUT, NYLOC 1/2-13	3	
38	10306	SCREW, HHC 1/2-13 X 4-1/2"	3	
39	19067	ACTUATOR, BRAKE DEMCO DA-91	1	
40	19748	FRAME W/A, TRLR70	1	
41	29242	LIGHT, TAIL RT (CURB) SIDE M440	1	
42	29243	LIGHT, TAIL LT (ROAD) SIDE M440L	1	
43	29248	SCREW, HHC 9/16-18 x 3"	12	
44	29898	LIGHT, 2-1/2 SIDE MARKER, AMBER	2	
45	29900	GROMMET W/WIRE KIT, 2-1/2"	2	
46	60018	WIRE, 16 GA. BROWN, SAE J1128.....	4	1PC = 1FT
47	EE44304	WHEEL ASSY., ST205/75D-14 L/R,"C"	4	
48	49975	BRAKE HOSE COVER, BOLT- ON	1	
49	49048	SCREW, HHFS 1/4 - 20 X 3/4" GRD 5	4	
50	49070	NUT, FLANGED 1/4 - 20 SERRATED PLTD	4	
51	EE43253	HITCH, BALL, 2-5/16" (STANDARD)	1	
52	29228	HITCH, BALL, 2" ADJUSTABLE (OPTION)	1	
53	29369	HITCH, PINTLE, 3" ADJUSTABLE(OPTION)	1	
54	EE56638	HITCH, BULLDOG, 2-5/16" BALL, ADJ. (OPT.).	1	
55	EE57033	HITCH, BULLDOG, 2" BALL, ADJ. (OPT.).....	1	

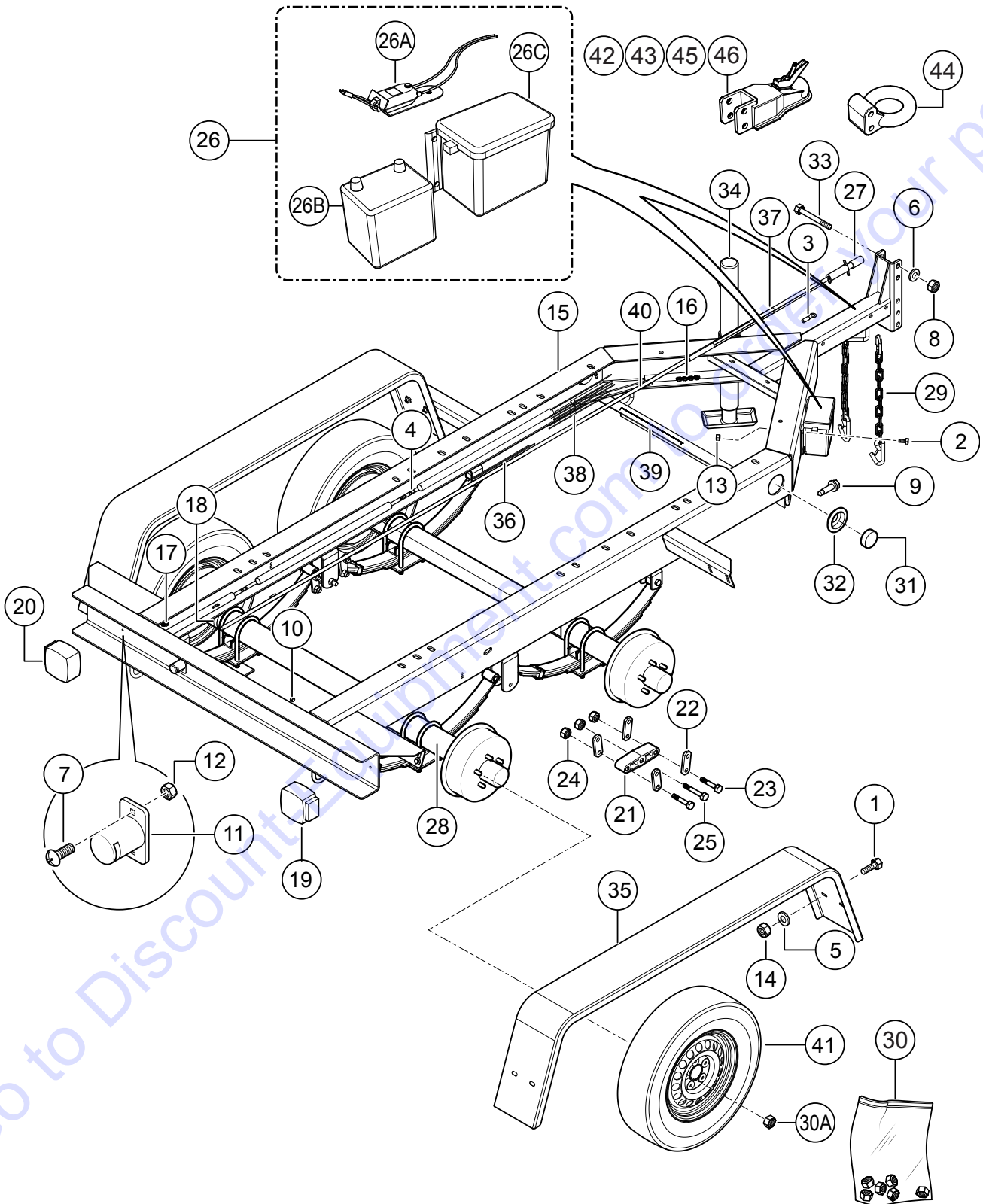
ELECTRIC TRAILER ASSY.



ELECTRIC TRAILER ASSY.

<u>NO.</u>	<u>PART NO.</u>	<u>PART NAME</u>	<u>QTY.</u>	<u>REMARKS</u>
1	205	SCREW, HHC 3/8-16 X1.0	8	
2	730	SCREW, HHC 1/4-20 X 1	4	
3	1319	TERMINAL, RING 16-14 1/4" LOOP	2	
4	2540	CONNECTOR, BUTT SPLICE, 16-14	4	
5	4001	WASHER, FLAT USS 3/8 PLD	16	
6	4684	WASHER, FLAT SAE 5/8 PLTD	2	
7	5065 B	SCREW, PHP 10-32 X 1/2	4	
8	9503	NUT, NYLOC 5/8-11	2	
9	9509	SCREW, TEK 12 X 3/4 SELF TAP	4	
10	9512	INSULATOR, WIRING .50 DIA	4	
11	9514	LIGHT ASM, LICENSE PLATE	2	
12	10019	NUT, NYLOC 10-32	4	
13	10024	NUT, NYLOC 1/4-20	4	
14	10133	NUT, NYLOC 3/8-16	8	
15	19748E	FRAME W/A, TRLR70WE	1	
16	19761	TERM., SPLICE 16-14 CLOSED, BLUE	4	
17	19762	TERM., SPLICE 16-14 CLOSED, BRN/WHT	1	
18	29218	CLAMP, HOSE WORM, 2-1/2" TO 3-1/2"	2	
19	29242	LIGHT, TAIL RT (CURB) SIDE M440	1	
20	29243	LIGHT, TAIL LH (ROAD) SIDE	1	
21	29246	EQUALIZER, TANDEM AXLE	2	
22	29247	SHACKLE, AXLE MOUNTING	8	
23	29248	SCREW, HHC 9/16-18	12	
24	29249	NUT, 9/16-18 AXLE MOUNTING N-2	14	
25	29317	SCREW, 9/16 X 3-1/2 AXLE MOUNTING	2	
26	29366	KIT, BREAK-AWAY, TRAILER 70	1	INCLUDES ITEMS W/#
26A#	EE43519	SWITCH, BREAK-AWAY, KIT	1	
26B#	EE57140	BATTERY, BREAK-AWAY, KIT	1	
26C#	EE57141	BOX, BATTERY, BREAK-AWAY, KIT	1	
27	29367	PLUG/SPRING, 6 POLE TRAILER	1	
27	EE55622	7-PIN CONNECTOR.....	1	OPTION
28	29396	AXLE ASM, 3500 LB W/ELEC BRAKE	2	
29	49537	CHAIN, SAFETY TOWING, 6600 LB	2	
30	29755	KIT, LUG NUTS, 1/2-20 PLTD	1	INCLUDES ITEMS W/%
30A%	29194	NUT, LUG 1/4-20 TAPERED CONE, PLTD	20	
31	29898	LIGHT, 2-1/2 SIDE MARKER, AMBER	2	
32	29900	GROMMET W/WIRE KIT, 2-1/2", 14218K	2	
33	37826	SCREW, HHC 5/8-11 X 4-3/4 GRD 8 YZ	2	
34	49116	JACK, SWIVEL 15" LIFT, 5/8" PIN	1	
35	49842	FENDER, TANDEM 8 x 15.5 x 65.25	2	
36	60018	WIRE, 16 GA. BROWN, SAE J1128	4	
37	60037	LOOM, 5/8 DIA HI-TEMP, BLK	3	
38	60043	WIRE, 16GA GREEN, SAE J1128	7	

ELECTRIC TRAILER ASSY.(CONTINUED)



ELECTRIC TRAILER ASSY.(CONTINUED)

<u>NO.</u>	<u>PART NO.</u>	<u>PART NAME</u>	<u>QTY.</u>	<u>REMARKS</u>
39	60221	LOOM, .375 SPLIT	5	
40	60257	WIRE, TRAILER, 6 COND. 14 GA.	19	1PC=1FT
41	EE44304	WHEEL ASSY, ST205/75D-14 L/R,"C"	4	
42	EE43253	HITCH, BALL 2-5/16" (STANDARD)	1	
43	29228	HITCH, BALL 2" ADJUSTABLE (OPTION)	1	
44	29369	HITCH, PINTLE 3" ADJUSTABLE, (OPTION) ...	1	
45	EE56638	HITCH, BULLDOG, 2-5/16" BALL, ADJ. (OPT.).	1	
46	EE57033	HITCH, BULLDOG, 2" BALL, ADJ. (OPT.)	1	

Go to Discount-Equipment.com to order your parts

PARTS FINDER

**Search Website
by Part Number**



**Search Manual
Library For Parts
Manual & Lookup Part
Numbers – Purchase
or Request Quote**

Search Manuals

Enter your information to help us find the right parts manual for your machine.

* Brand:

* Model:

* Serial:

* Part Number:

SEARCH

**Can't Find Part or
Manual? Request Help
by Manufacturer,
Model & Description**

Parts Order Form

Please fill in the following information to help us find the right part for your machine.

Manufacturer:	<input type="text"/>
Model:	<input type="text"/>
Description:	<input type="text"/>
Part Number:	<input type="text"/>
Quantity:	<input type="text"/>
Notes:	<input type="text"/>

Discount-Equipment.com is your online resource for quality parts & equipment.

Florida: **561-964-4949** Outside Florida TOLL FREE: **877-690-3101**

Need parts?

Click on this link: <http://www.discount-equipment.com/category/5443-parts/> and choose one of the options to help get the right parts and equipment you are looking for. Please have the machine model and serial number available in order to help us get you the correct parts. If you don't find the part on the website or on one of the online manuals, please fill out the request form and one of our experienced staff members will get back to you with a quote for the right part that your machine needs.

We sell worldwide for the brands: Genie, Terex, JLG, MultiQuip, Mikasa, Essick, Whiteman, Mayco, Toro Stone, Diamond Products, Generac Magnum, Airman, Haulotte, Barreto, Power Blanket, Nifty Lift, Atlas Copco, Chicago Pneumatic, Allmand, Miller Curber, Skyjack, Lull, Skytrak, Tsurumi, Husquvarna Target, Stow, Wacker, Sakai, Mi-T-M, Sullair, Basic, Dynapac, MBW, Weber, Bartell, Bennar Newman, Haulotte, Ditch Runner, Menegotti, Morrison, Contec, Buddy, Crown, Edco, Wyco, Bomag, Laymor, EZ Trench, Bil-Jax, F.S. Curtis, Gehl Pavers, Heli, Honda, ICS/PowerGrit, IHI, Partner, Imer, Clipper, MMD, Koshin, Rice, CH&E, General Equipment, Amida, Coleman, NAC, Gradall, Square Shooter, Kent, Stanley, Tamco, Toku, Hatz, Kohler, Robin, Wisconsin, Northrock, Oztec, Toker TK, Rol-Air, APT, Wylie, Ingersoll Rand / Doosan, Innovatech, Con X, Ammann, Mecalac, Makinex, Smith Surface Prep, Small Line, Wanco, Yanmar