



**MULTIQUIP**



# Street Pro Slab Saws



**Versatile saws for  
demanding cutters**

**Construction Starts Here**





# Street Pro Slab Saws

**Multiquip's Street Pro Series of walk-behind saws is designed for strength, durability and performance.**

Whether cutting concrete or asphalt, the reinforced steel box frame design adds strength necessary to reduce vibrations while sawing. Minimizing vibrations enhances the performance of the blade and extends the life of the saw. Designed for easy maintenance, the Street Pro Series utilizes standardized hardware and provides easy access to components. The saws are compact and easy to operate, yet demonstrate the cutting performance usually expected from larger, more expensive units.

- **Super-rigid box frame** ensures straight cuts while resisting warping and vibration — prolongs saw life; extends blade life
- **Industrial Blade Shaft Assembly**
- **Comfortable grip handles**
- **Locking ACME thread Raise/Lower**
- **Honda engines** with Cyclone Air Filtration standard
- **Hinged front, lift-up blade guard** is designed to provide easy blade replacement
- **Saw position guide** helps ensure straight cuts
- **Water system** provides an optimum flow and volume of water to the blade; uses standard hardware materials; provides easy replacement and facilitates routine maintenance practices

## Street Pro SP1

**Compact, rugged and easy to handle**, the SP 1 is the best choice for small to medium cutting jobs. This economical saw can easily accomplish a variety of cutting applications, and serves as the perfect model for rental applications. SP 1 models are offered with either a 11 HP\* gasoline engine or a 5 HP\* electric motor. The gas version comes equipped with an 18" Blade Guard that easily operates 14" to 18" diamond blades. The electric model comes standard with a 16" Blade Guard. This hardy saw is equipped with a retractable cutting guide, locking ACME thread raise/lower system, industrial blade shaft assembly, and reinforced box steel frame.



*Always wear approved safety equipment and clothing when operating this machine.*

# Exceptional Saws for Rental Operations

## Street Pro SP2

An exceptional performing saw for its size, the SP 2 is built to cover a wide range of cutting applications. This saw comes with a standard 20" Blade Guard to permit a 7½" depth of cut. Power options are either a 11 HP\* Manual Start, or 18.1 HP\* V-Twin electric start Honda gasoline engine. The strong box type frame maintains its integrity providing smooth travel, superior diamond blade life and cutting performance. Standard features include: an adjustable height handle bar, lifting bail, removable hinged front blade guard, rugged front pointer, industrial blade shaft assembly, and 5 gallon built in water tank for dust control while cutting dry. On the Self-Propelled models, a hydrostatic transmission controls forward/reverse propulsion; plus, a free-wheel handle disengages the drive system for easy site travel.



*Always wear approved safety equipment and clothing when operating this machine.*

# Street Pro Slab Saws – Specifications

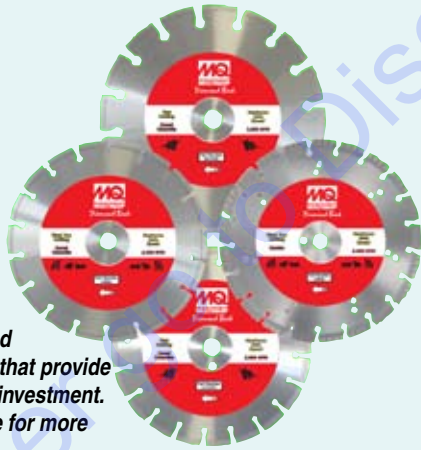
Model	Power*	Weight lbs. (kg)	Blade Capacity in. (mm)	Cutting Depth in. (mm)	Front Wheels Bearing Mounted	Rear Wheels Bearing Mounted
<b>SP1 Series Push</b>						
SP113H18	11.0 HP (9.7 kW) Honda Cyclone	270 (122.7)	18 (457)	6.5 (165)	4" Dia. x 2" Wide (101mm x 50mm)	8" Dia. x 2" Wide (203mm x 50mm)
SP15E16	5.0 HP (3.7 kW) Elect. 230V 1ø	235 (106.8)	16 (406)	5.5 (140)	4" Dia. x 2" Wide (101mm x 50mm)	6" Dia. x 2" Wide (152mm x 50mm)
<b>SP2 Series Push</b>						
SP213H20	11.0 HP (9.7 kW) Honda Cyclone	280 (127)	20 (508)	7.5 (191)	5" Dia. x 2" Wide (125mm x 50mm)	8" Dia. x 2" Wide (203mm x 50mm)
<b>SP2 Series Self-Propelled</b>						
SP2S13H20	11.0 HP (9.7 kW) Honda Cyclone	280 (127)	20 (508)	7.5 (191)	5" Dia. x 2" Wide (125mm x 50mm)	8" Dia. x 2" Wide (203mm x 50mm)
SP2S20H20	18.0 HP (14.9 kW) Honda Cyclone Elect. Start	400 (181.8)	20 (508)	7.5 (191)	5" Dia. x 2" Wide (125mm x 50mm)	8" Dia. x 2" Wide (203mm x 50mm)

© COPYRIGHT 2008, MULTQUIP INC.

## Saw Accessories

Model	Description	Weight lbs. (kg)
CIWKH	Water Tank Kit, 5 gal., SP1 (gas only)	25 (11)
SPBG16	Blade Guard Kit (models SP1 & SP2)	25 (11)
SPBG18	Blade Guard Kit (models SP1 & SP2)	27 (12)
SPBG20	Blade Guard Kit (model SP2 only)	30 (14)

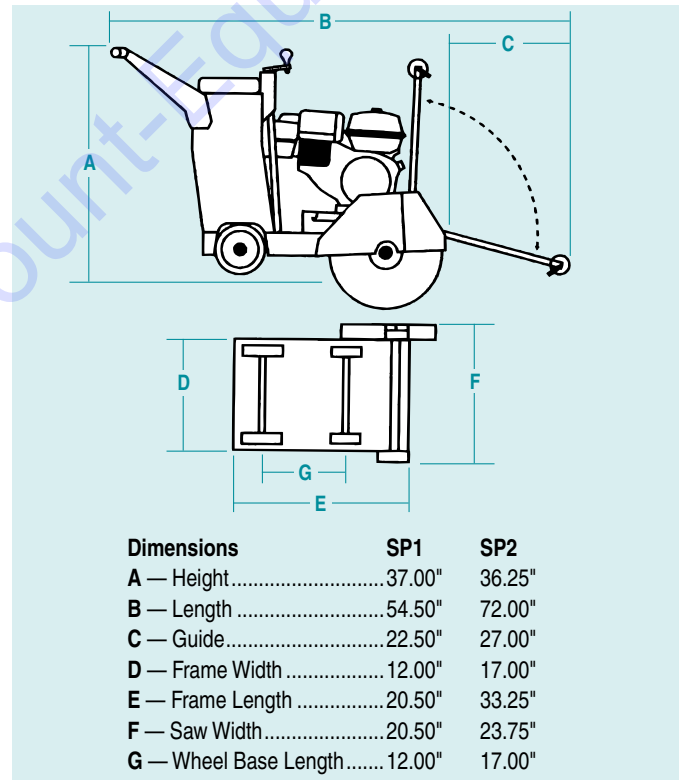
*Multiquip guarantees diamond blade performance!*



**MQ Diamond Back** offers a variety of trusted diamond blade choices that provide the best return on your investment. Call or visit our web site for more information.

Always wear approved safety equipment and clothing when operating this machine.

\* Engine power ratings are calculated by the individual engine manufacturer and the rating method may vary among engine manufacturers. Multiquip Inc. and its subsidiary companies makes no claim, representation or warranty as to the power rating of the engine on this equipment and disclaims any responsibility or liability of any kind whatsoever with respect to the accuracy of the engine power rating. Users are advised to consult the engine manufacturer's owners manual and its website for specific information regarding the engine power rating.



**TO PURCHASE THIS PRODUCT PLEASE CONTACT US**



**Equipment Financing and  
Extended Warranties Available**



**Discount-Equipment.com is your online resource for  
commercial and industrial quality parts and equipment sales.**

**561-964-4949**

**visit us on line @ [www.discount-equipment.com](http://www.discount-equipment.com)**

Select an option below to find your Equipment

**Search by Manufacturer**

**Search by Product Type**

**Request a Quote**

We sell worldwide for the brands: Genie, Terex, JLG, MultiQuip, Mikasa, Essick, Whiteman, Mayco, Toro Stone, Diamond Products, Generac Magnum, Airman, Haulotte, Barreto, Power Blanket, Nifty Lift, Atlas Copco, Chicago Pneumatic, Allmand, Miller Curber, Skyjack, Lull, Skytrak, Tsurumi, Husquvarna Target, Stow, Wacker, Sakai, Mi-T-M, Sullair, Basic, Dynapac, MBW, Weber, Bartell, Bennar Newman, Haulotte, Ditch Runner, Menegotti, Morrison, Contec, Buddy, Crown, Edco, Wyco, Bomag, Laymor, EZ Trench, Bil-Jax, F.S. Curtis, Gehl Pavers, Heli, Honda, ICS/PowerGrit, IHI, Partner, Imer, Clipper, MMD, Koshin, Rice, CH&E, General Equipment, Amida, Coleman, NAC, Gradall, Square Shooter, Kent, Stanley, Tamco, Toku, Hatz, Kohler, Robin, Wisconsin, Northrock, Oztec, Toker TK, Rol-Air, APT, Wylie, Ingersoll Rand / Doosan, Innovatech, Con X, Ammann, Mecalac, Makinex, Smith Surface Prep, Small Line, Wanco, Yanmar