



Count on it.

Parts Catalog

SGR-13 Stump Grinder

Model No. 22602THD—Serial No. 311000834 and Up

Model No. 22611—Serial No. 311000156 and Up

Model No. 22611G—Serial No. 312000001 and Up

Model No. 32611—Serial No. 312000001 and Up



Ordering Replacement Parts

To order replacement parts, please supply the part number, the quantity, and the description of each part desired.

Understanding Reference Numbers

Each identified part in an illustration has a reference number. The reference number for a part also appears in the parts list, along with other information about the part.

This catalog uses two special reference number formats, one to indicate parts in a service assembly and another to indicate the quantity of a given part in an illustration.

Service Assembly Reference Numbers

Parts in service assemblies have reference numbers in the form a:b. The a represents the reference number of the entire service assembly and the b represents a sequential number unique to each part within the service assembly.

For example, a wheel assembly might be identified by reference number 6, the tire by 6:1, the valve by 6:2, and the wheel by 6:3. When you order the assembly identified by reference number 6, you receive all parts identified by reference numbers 6:1, 6:2, and 6:3. However, you may also order any part individually. Reference numbers of this type appear in illustration and in parts lists.

Reference Numbers Indicating Quantity

In an illustration, if a reference number indicates more than one part, the reference number has the form nX y. The n represents the quantity of the part, the X is the multiplication symbol, and the y represents the reference number.

For example, in an illustration, the reference number 2X 37 means that two of the parts identified by reference number 37 are indicated.

List of Abbreviations

AR: as required

ASM: assembly

BBC: blade brake control

BHTF: button head thread forming

CARR: carriage

CCW: counter clockwise

CW: clockwise

DEG: degrees

DPA: Dual Point Adjustment

ECM: electronic control module

EXT: external

FH: flat head

GA: gauge

HD: heavy-duty

HF: hex flange

HH: hex head

HHF: hex head flange

HHFTF: hex head flange thread forming

HJ: hex jam

HLH: hex lag head

HOC: height-of-cut

HSBH: hex socket button head

HSFH: hex socket flat head

HSH: hex socket head

HWH: hex washer head

HWTF: hex washer head thread forming

HYD: hydraulic

LH: left hand

LPG: Liquid Propane Gas

NI: nylon insert

NPTF: national pipe thread fine

PFH: phillips flat head

PPH: phillips pan head

PPHTF: phillips pan head thread forming

PRH: phillips round head

PTH: phillips truss head

PTO: power-take-off

RH: right hand

ROPS: roll-over protection system

RRB: rear roller brush

SFH: slotted fillister head

SHH: slotted hex head

SHWH: slotted hex washer head

SPH: slotted pan head

SQH: square head

SRH: slotted round head

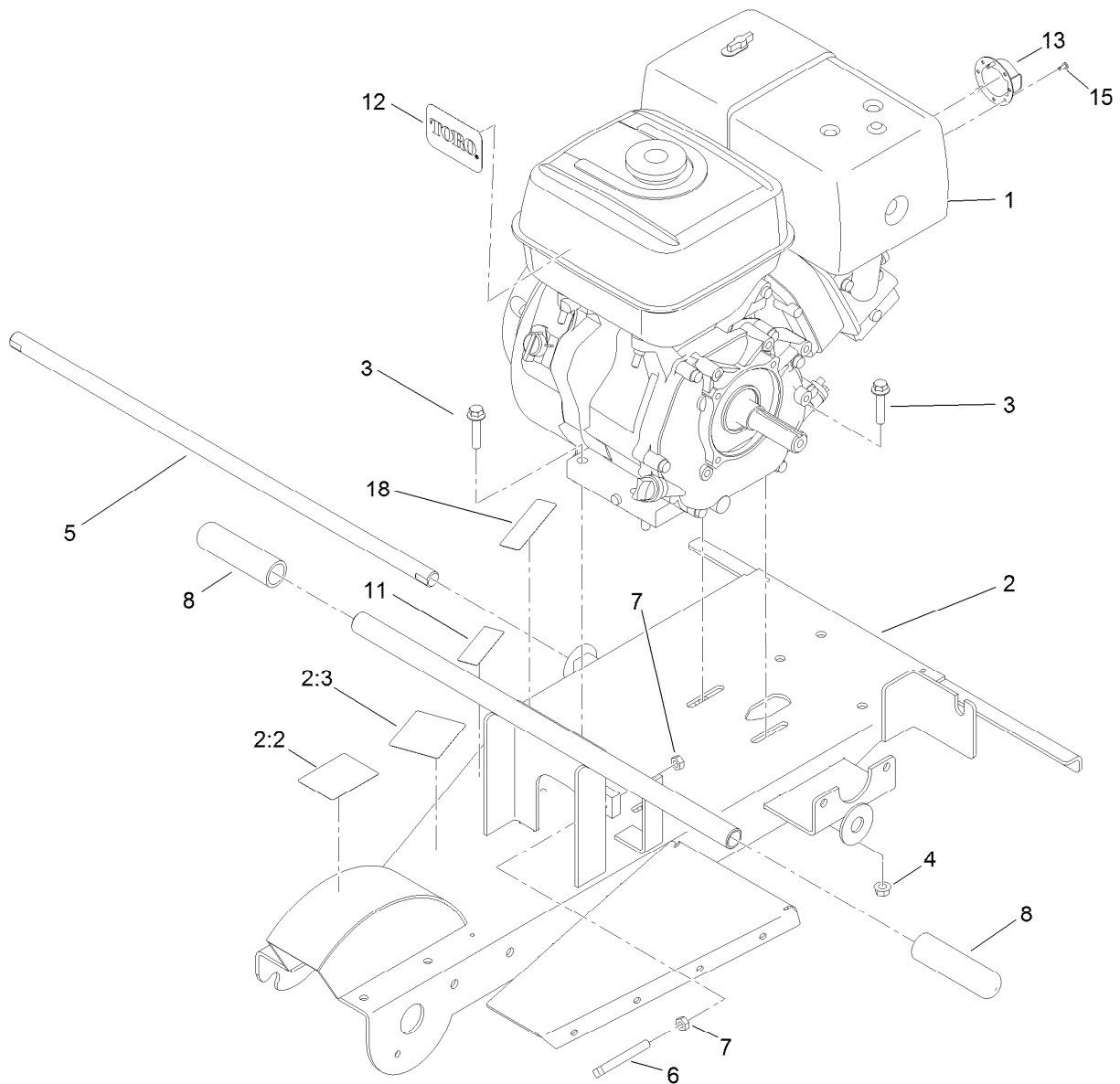
STD: standard

TAP: self tapping

TTH: torx truss head

Contents

Engine and Frame Assembly	4
Handle Assembly	5
Brake Lever Assembly No. 120-1797	6
Cutter Wheel Assembly	7
Wheel and Brake Assembly	8
Flap Assembly	9
Belt Drive Assembly	10
Attachments and Accessories	11

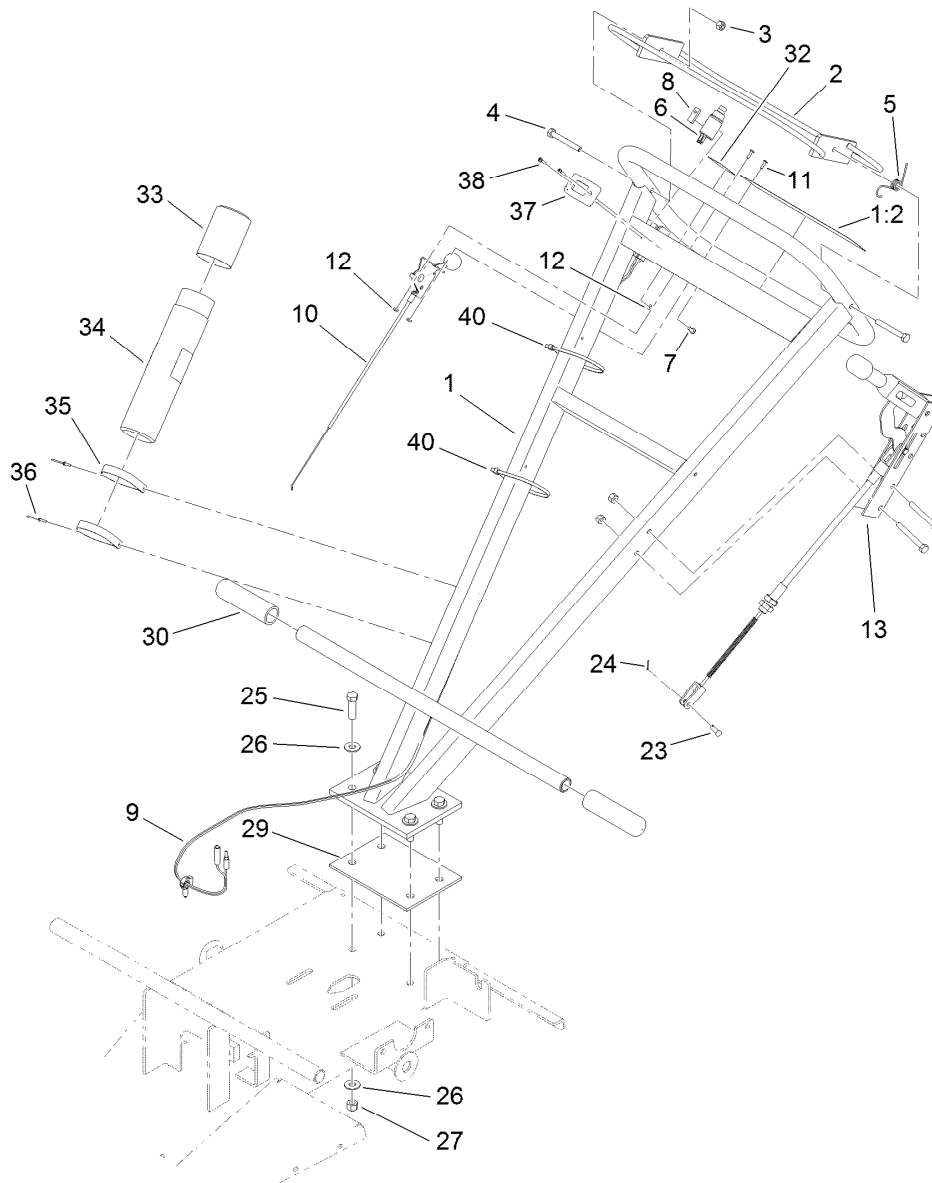


Engine and Frame Assembly

Ref.	Part Number	Qty.	Description
1		1	Engine-Honda, Gx390Ut2 Qxc9 ●■
2	121-4390	1	Frame ASM
2:2	119-4690	1	Decal-Danger
2:3	119-4693	1	Decal-Caution
3	3234-19	4	Screw-HHF
4	32128-21	4	Nut-HF
5	120-1252	1	Bar-Axle
6	119-4729	1	Screw-Set, SQH
7	3217-7	2	Nut-Hex
8	120-1333	2	Handle-Grip
11	119-4716	1	Decal-Regulatory
12	99-2385	1	Decal
13	120-1886	1	Deflector-Exhaust
15	32144-74	3	Screw-TAP
18	117-2718	1	Decal-Arrester, Spark

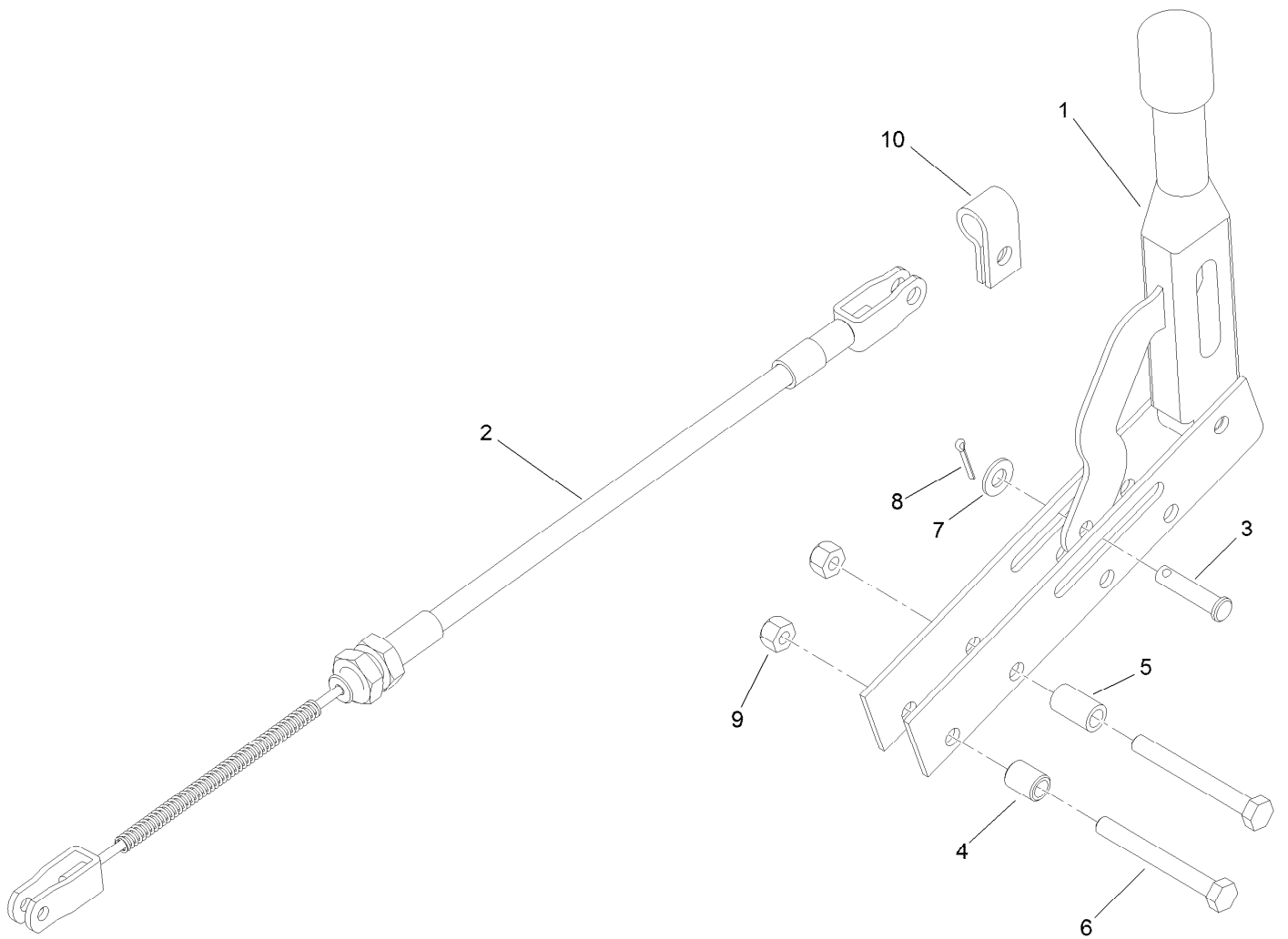
● Not serviced separately

■ Obtain parts from www.honda-engines.com



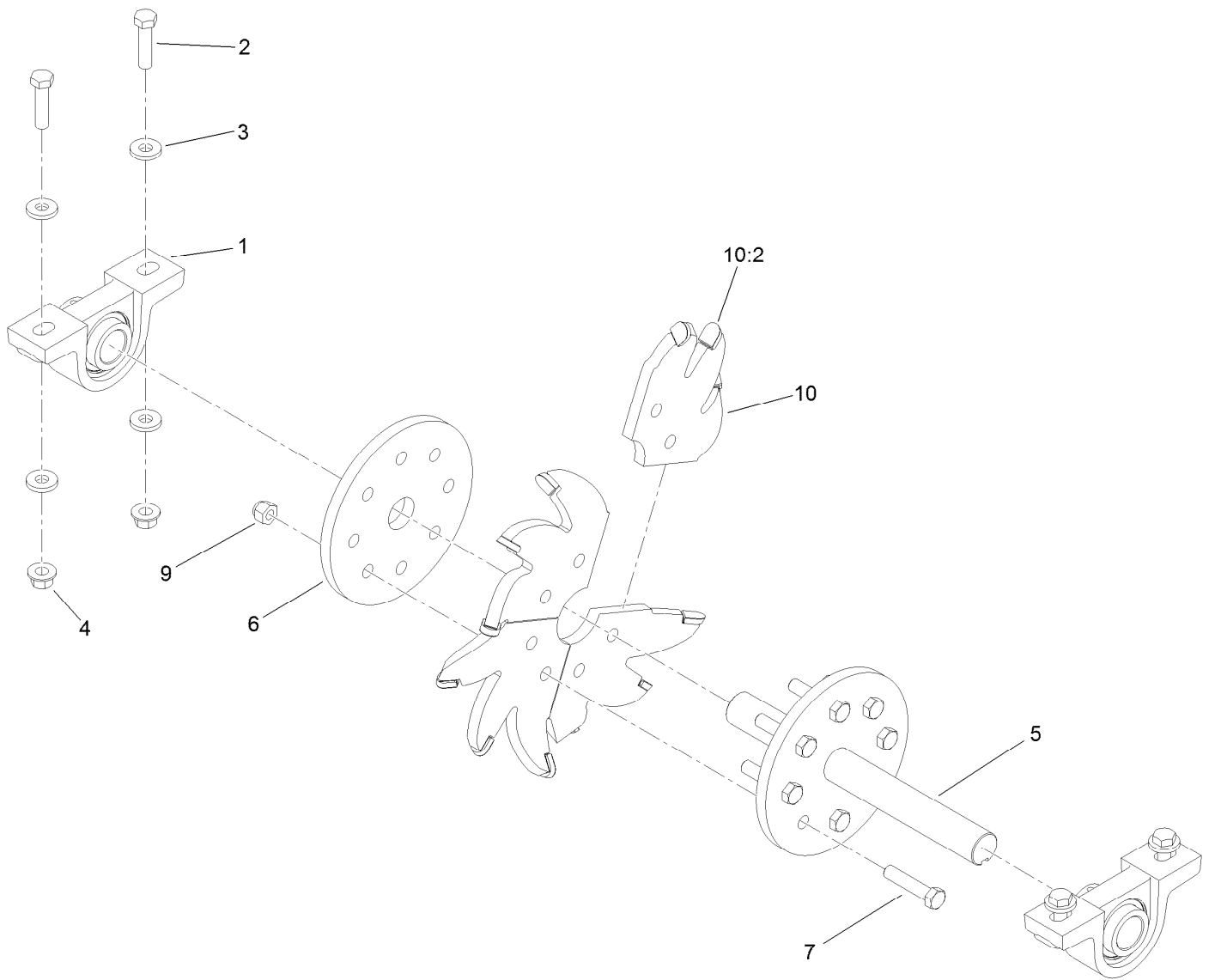
Handle Assembly

Ref.	Part Number	Qty.	Description	Ref.	Part Number	Qty.	Description
1	121-4391	1	Handle ASM	23	1-808265	1	Pin-Clevis
1:2	119-4701	1	Decal-Warning	24	3272-1	1	Pin-Cotter
2	119-4711-01	1	Safety Handle ASM	25	324-6	4	Screw-HH
3	3296-29	2	Nut-Lock, NI	26	3256-4	8	Washer-Flat
4	322-12	2	Screw-HH	27	3296-48	4	Nut-Lock, NI
5	120-1291	1	Spring-Return	29	120-1248	1	Gasket-Handle
6	120-1803	1	Switch-Plunger, No (W/Cover)	30	120-1333	2	Handle-Grip
7	1-803071	2	Screw	32	119-4721	1	Decal-Engage
8	1-633181	1	Plate-Tapped	33	104-7048	1	Cap-Housing
9	120-1823	1	Harness-Wire	34	104-7050	1	Tube-Manual
10	120-1285	1	Cable-Throttle	35	2412-120	2	Clamp-R
11	3249-3	2	Screw-PRH	36	3269-17	2	Rivet-Pop
12	3296-9	2	Nut-Lock	37	120-1218	1	Hourmeter-Inductive
13	120-1797	1	Lever-Brake Over Center ASM	38	3250-39	2	Screw-PPH
				40	3290-379	2	Tie-Cable



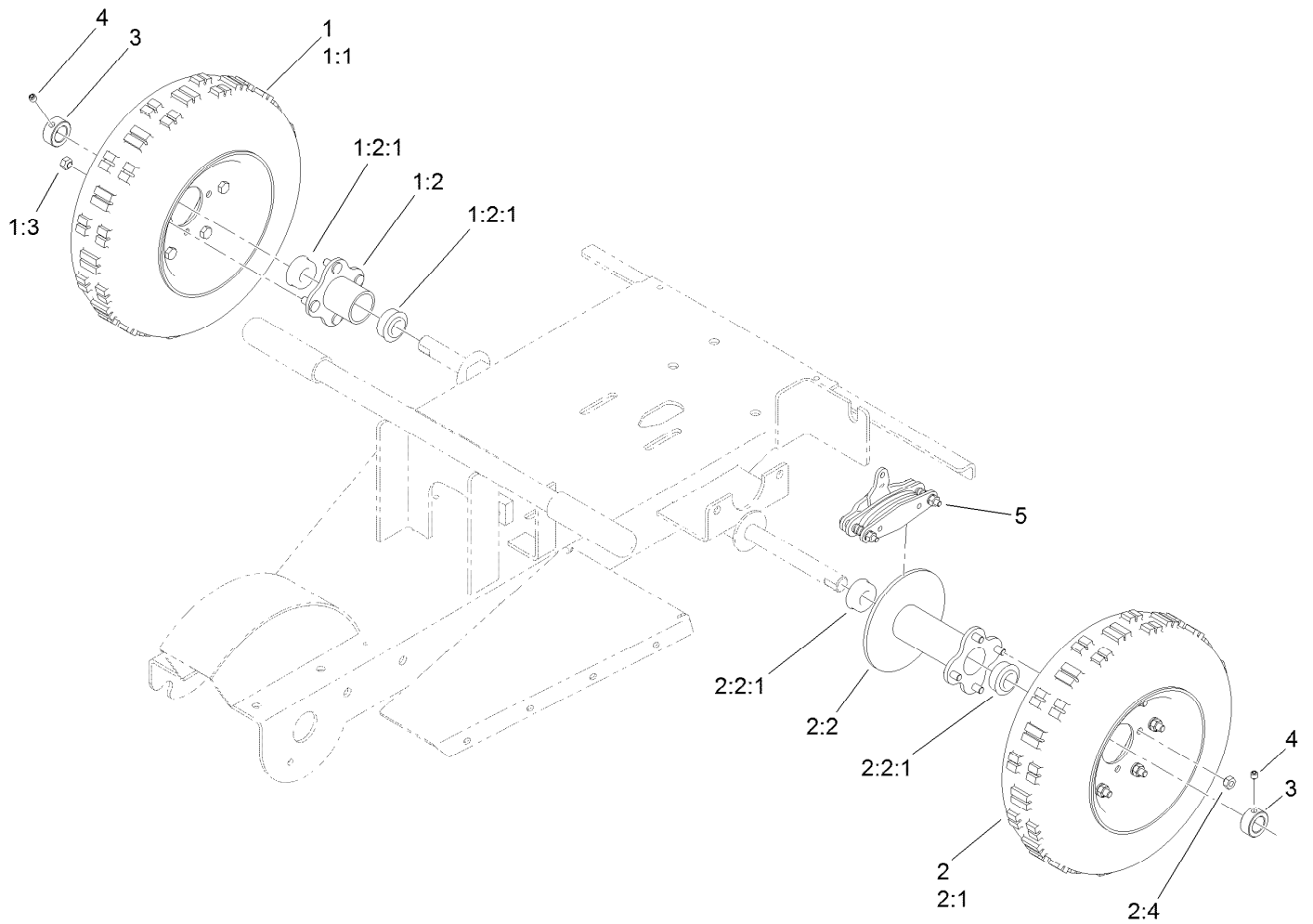
Brake Lever Assembly No. 120-1797

<i>Ref.</i>	<i>Part Number</i>	<i>Qty.</i>	<i>Description</i>
1	120-1219	1	Lever-Brake
2	120-1286	1	Cable-Brake
3	283-14	1	Pin-Clevis
4	88-7450	1	Spacer-Lever, Control
5	115-0826	1	Spacer-Idler
6	322-13	2	Screw-HH
7	3256-23	1	Washer-Flat
8	3272-6	1	Pin-Cotter
9	3296-29	2	Nut-Lock, NI
10	120-1798	1	Clamp-Conduit



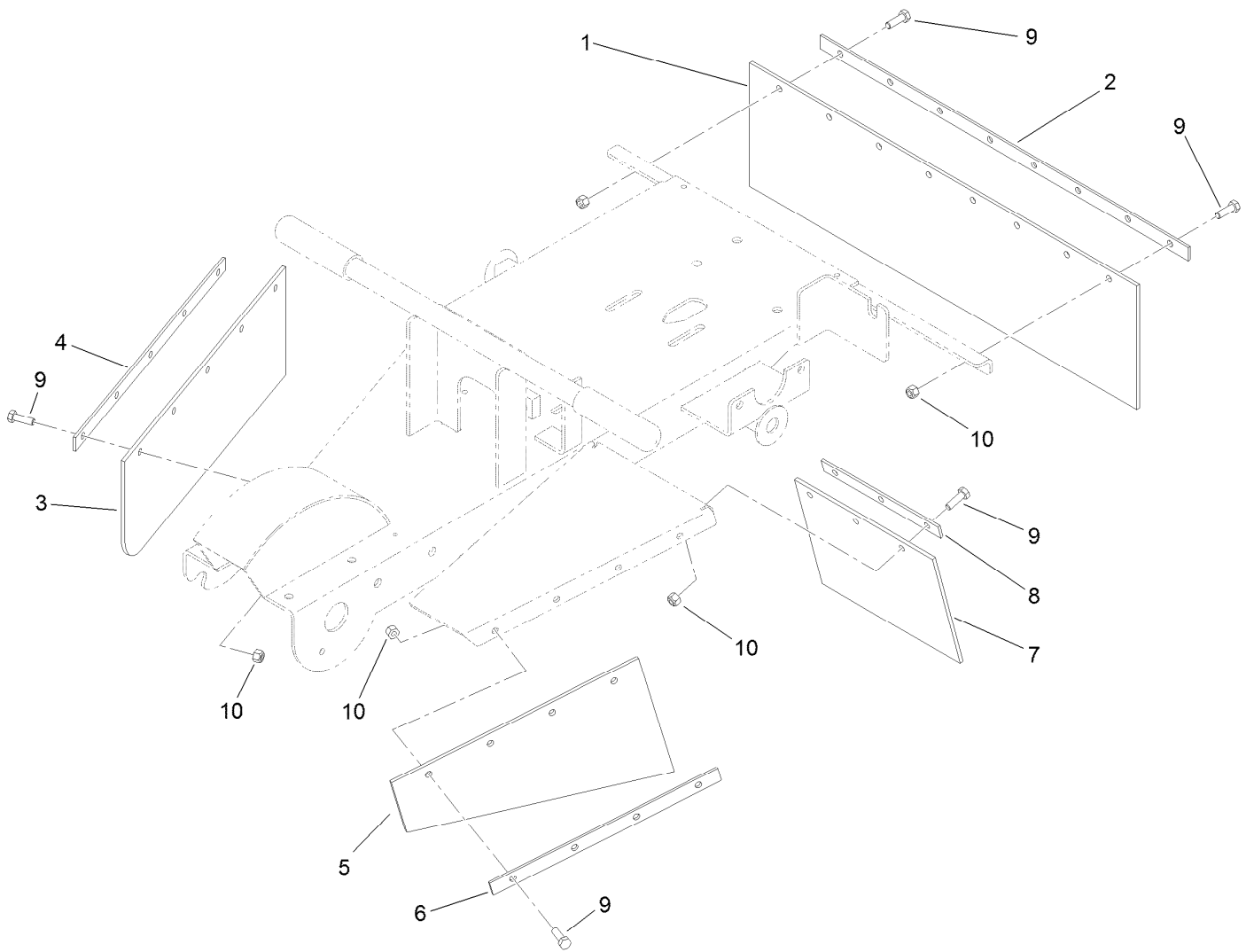
Cutter Wheel Assembly

<i>Ref.</i>	<i>Part Number</i>	<i>Qty.</i>	<i>Description</i>
1	120-1211	2	Bearing ASM
2	3211-41	4	Screw-HH
3	71-9310	8	Spacer
4	54-9190	4	Nut-Lock
5	119-4708	1	Blade Shaft ASM
6	119-4710-03	1	Flange-Shaft
7	323-9	8	Screw-HH
9	3296-39	8	Nut-Lock, NI
10	119-4702	4	Blade-Grinder
10:2	119-4705	3	Tip-Carbide



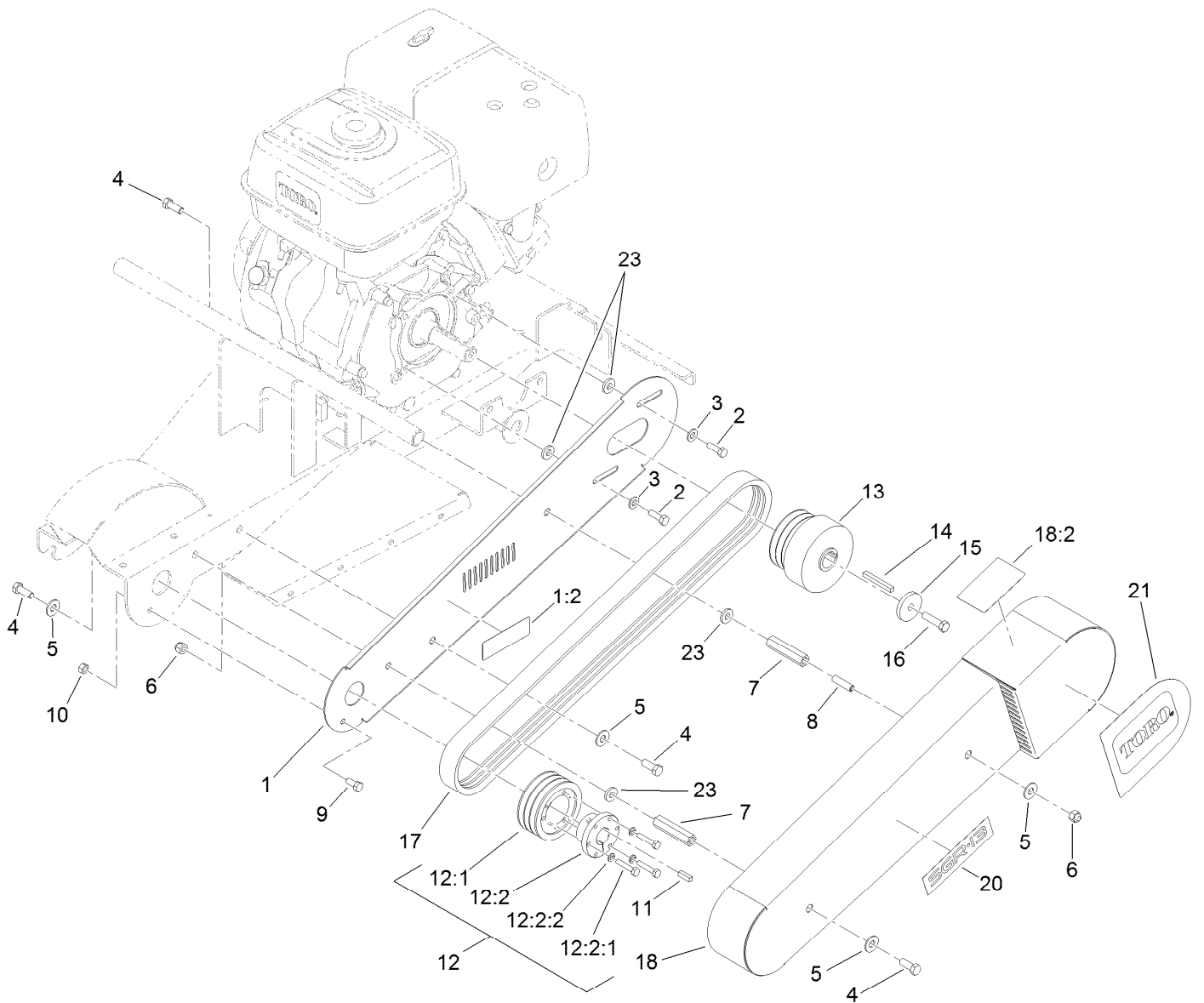
Wheel and Brake Assembly

Ref.	Part Number	Qty.	Description
1	120-1216	1	Tire ASM (W/ Hub)
1:1	120-1287	1	Tire ASM
1:2	120-1295	1	Hub
1:2:1	120-1296	2	Bearing-Wheel
1:3	120-1304	4	Nut-Wheel
2	120-1214	1	Tire ASM (W/ Hub And Brake)
2:1	120-1287	1	Tire ASM
2:2	120-1297	1	Hub
2:2:1	120-1296	2	Bearing-Wheel
2:4	120-1304	4	Nut-Wheel
3	120-1294	2	Collar-Set
4	3246-2	2	Screw-Set, HSH
5	120-1773	1	Brake-Caliper



Flap Assembly

Ref.	Part Number	Qty.	Description
1	120-1236	1	Flap-Rear
2	120-1238-01	1	Plate-Mounting, Flap
3	120-1240	1	Flap-RH
4	120-1241-01	1	Bracket-Support, Flap (RH)
5	120-1242	1	Flap-LH
6	120-1243-01	1	Bracket-Support, Flap (LH)
7	120-1244	1	Flap-Small
8	120-1246-01	1	Bracket-Support, Flap
9	322-5	20	Screw-HH
10	3296-29	20	Nut-Lock, NI



Belt Drive Assembly

Ref.	Part Number	Qty.	Description	Ref.	Part Number	Qty.	Description
1	121-4413	1	Plate-Guard	12:2	61-3340	1	Bushing
1:2	117-4979	1	Decal-Warning, Shields (Ce)	12:2:1	321-13	3	Screw-HH
2	3210-5	2	Screw-HH	12:2:2	3253-2	3	Washer-Lock
3	3256-38	2	Washer-Flat	13	120-1204	1	Clutch
4	323-6	4	Screw-HH	14	63-8150	1	Key-Square
5	3256-4	4	Washer-Flat	15	110-9981	1	Washer-Plain
6	3296-39	2	Nut-Lock, NI	16	3211-6	1	Screw-HH
7	120-1234	2	Spacer-Guard	17	120-1203	1	Belt-3V
8	3247-8	1	Screw-Set, HSH	18	121-4414	1	Belt Guard ASM
9	322-3	1	Screw-HH	18:2	119-4692	1	Decal-Caution
10	3217-6	1	Nut-Hex	20	120-1816	1	Decal
11	10-7070	1	Key-Square	21	119-4724	1	Decal
12	120-1298	1	Sheave ASM	23	43-0940	4	Spacer
12:1	95-0883	1	Pulley				

Attachments and Accessories

For 22611 SGR-13 Stump Grinder

Product Name	Model/Part
Stump Grinder Blade Tote.....	22607
Blade Tote (Set of 6, Sharpened).....	22607-SH



Count on it.