

# MKITJB

## Maintenance Kit for MQ Whiteman Walk-Behind Trowels

### J and B Series

(Excludes J3036H55)

The MKITJB Maintenance Package provides 600 hours of walk-behind usage, dependant on operating conditions. The kit includes:

	Replacement parts	Part Number	Qty.	Service schedule
A	Thrust collar bushing	1471	1	600 hrs or two years
B	Trowel arm bushings	1157A	4	600 hrs or two years
C	Gearbox replacement oil	20111	1	600 hrs or two years
D	Thrust bearing	12778	1	600 hrs or two years
E	Thrust collar wear plate	1154A	1	600 hrs or two years



**Check level here**

**Gearbox Lubrication Replacement**


Check oil level daily prior to operating the unit.

If needed add SHC 634 synthetic gear lube (MQ #20111).





C — 20111 — Gearbox replacement oil


**Thrust System Replacement Parts**




A — 1471 — Thrust collar bushing



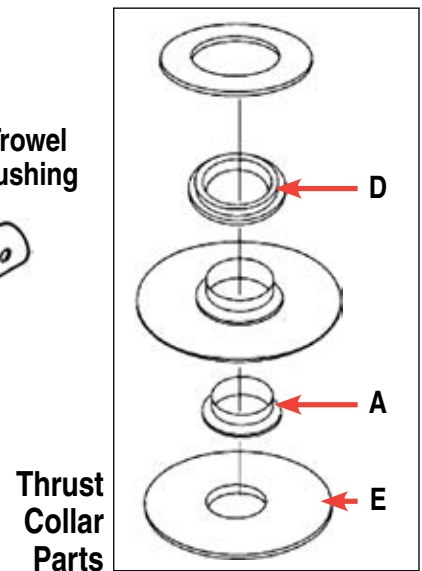
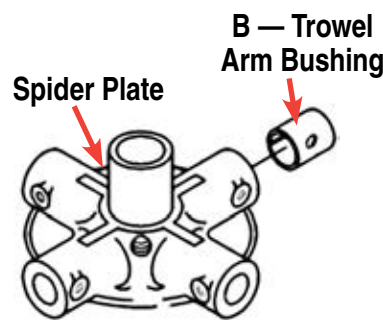
E — 1154A — Thrust collar wear plate



D — 12778 — Thrust bearing



B — 1157B — Trowel Arm Bushing



© COPYRIGHT 2022 MULTIQUIP INC. REV 1 (041122)

**World class products.  
World class support.**



# PARTS FINDER

**Search Website  
by Part Number**



**Search Manual  
Library For Parts  
Manual & Lookup Part  
Numbers – Purchase  
or Request Quote**

**Search Manuals**

Enter your information to help us find the right parts manual for your machine.

\* Brand:

\* Model:

\* Serial:

\* Part Number:

SEARCH

**Can't Find Part or  
Manual? Request Help  
by Manufacturer,  
Model & Description**

**Parts Order Form**

Please fill in the following information to help us find the right part for your machine.

Manufacturer:	<input type="text"/>
Model:	<input type="text"/>
Description:	<input type="text"/>
Part Number:	<input type="text"/>
Quantity:	<input type="text"/>
Notes:	<input type="text"/>

Submit

Discount-Equipment.com is your online resource for quality parts & equipment.

Florida: **561-964-4949** Outside Florida TOLL FREE: **877-690-3101**

**Need parts?**

Click on this link: <http://www.discount-equipment.com/category/5443-parts/> and choose one of the options to help get the right parts and equipment you are looking for. Please have the machine model and serial number available in order to help us get you the correct parts. If you don't find the part on the website or on one of the online manuals, please fill out the request form and one of our experienced staff members will get back to you with a quote for the right part that your machine needs.

We sell worldwide for the brands: Genie, Terex, JLG, MultiQuip, Mikasa, Essick, Whiteman, Mayco, Toro Stone, Diamond Products, Generac Magnum, Airman, Haulotte, Barreto, Power Blanket, Nifty Lift, Atlas Copco, Chicago Pneumatic, Allmand, Miller Curber, Skyjack, Lull, Skytrak, Tsurumi, Husquvarna Target, Stow, Wacker, Sakai, Mi-T-M, Sullair, Basic, Dynapac, MBW, Weber, Bartell, Bennar Newman, Haulotte, Ditch Runner, Menegotti, Morrison, Contec, Buddy, Crown, Edco, Wyco, Bomag, Laymor, EZ Trench, Bil-Jax, F.S. Curtis, Gehl Pavers, Heli, Honda, ICS/PowerGrit, IHI, Partner, Imer, Clipper, MMD, Koshin, Rice, CH&E, General Equipment, Amida, Coleman, NAC, Gradall, Square Shooter, Kent, Stanley, Tamco, Toku, Hatz, Kohler, Robin, Wisconsin, Northrock, Oztec, Toker TK, Rol-Air, APT, Wylie, Ingersoll Rand / Doosan, Innovatech, Con X, Ammann, Mecalac, Makinex, Smith Surface Prep, Small Line, Wanco, Yanmar