



**Count on it.**

**Parts Catalog**

**TRX-20 Trencher**

Model No. 22973—Serial No. 313000001 and Up

Model No. 22973G—Serial No. 313000001 and Up



# Ordering Replacement Parts

To order replacement parts, please supply the part number, the quantity, and the description of each part desired.

## Understanding Reference Numbers

Each identified part in an illustration has a reference number. The reference number for a part also appears in the parts list, along with other information about the part.

This catalog uses two special reference number formats, one to indicate parts in a service assembly and another to indicate the quantity of a given part in an illustration.

## Service Assembly Reference Numbers

Parts in service assemblies have reference numbers in the form a:b. The a represents the reference number of the entire service assembly and the b represents a sequential number unique to each part within the service assembly.

For example, a wheel assembly might be identified by reference number 6, the tire by 6:1, the valve by 6:2, and the wheel by 6:3. When you order the assembly identified by reference number 6, you receive all parts identified by reference numbers 6:1, 6:2, and 6:3. However, you may also order any part individually. Reference numbers of this type appear in illustration and in parts lists.

## Reference Numbers Indicating Quantity

In an illustration, if a reference number indicates more than one part, the reference number has the form nX y. The n represents the quantity of the part, the X is the multiplication symbol, and the y represents the reference number.

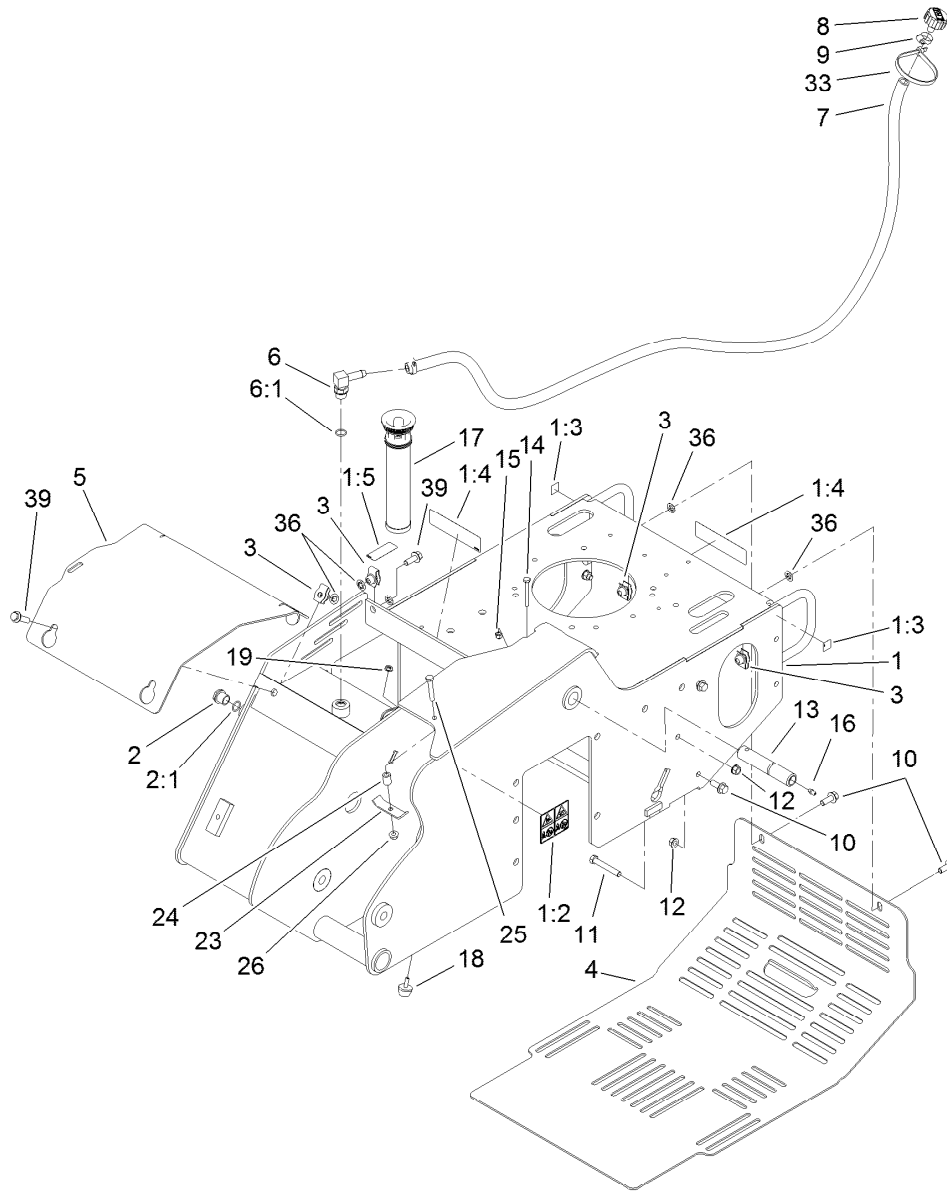
For example, in an illustration, the reference number 2X 37 means that two of the parts identified by reference number 37 are indicated.

# List of Abbreviations

<b>AR:</b> as required	<b>HLH:</b> hex lag head	<b>PTO:</b> power-take-off
<b>ASM:</b> assembly	<b>HOC:</b> height-of-cut	<b>RH:</b> right hand
<b>BBC:</b> blade brake control	<b>HSBH:</b> hex socket button head	<b>ROPS:</b> roll-over protection system
<b>BHTF:</b> button head thread forming	<b>HSFH:</b> hex socket flat head	<b>RRB:</b> rear roller brush
<b>CARR:</b> carriage	<b>HSH:</b> hex socket head	<b>SFH:</b> slotted fillister head
<b>CCW:</b> counter clockwise	<b>HWH:</b> hex washer head	<b>SHH:</b> slotted hex head
<b>CW:</b> clockwise	<b>HWHTF:</b> hex washer head thread forming	<b>SHWH:</b> slotted hex washer head
<b>DEG:</b> degrees	<b>HYD:</b> hydraulic	<b>SPH:</b> slotted pan head
<b>DPA:</b> Dual Point Adjustment	<b>LH:</b> left hand	<b>SQH:</b> square head
<b>ECM:</b> electronic control module	<b>LP:</b> Liquefied Petroleum Gas	<b>SRH:</b> slotted round head
<b>EXT:</b> external	<b>LPG:</b> Liquefied Petroleum Gas	<b>STD:</b> standard
<b>FH:</b> flat head	<b>NI:</b> nylon insert	<b>TAP:</b> self tapping
<b>GA:</b> gauge	<b>NPTF:</b> national pipe thread fine	<b>TTH:</b> torx truss head
<b>HD:</b> heavy-duty	<b>PFH:</b> phillips flat head	
<b>HF:</b> hex flange	<b>PPH:</b> phillips pan head	
<b>HH:</b> hex head	<b>PPHTF:</b> phillips pan head thread forming	
<b>HHF:</b> hex head flange	<b>PRH:</b> phillips round head	
<b>HHFTF:</b> hex head flange thread forming	<b>PTH:</b> phillips truss head	
<b>HJ:</b> hex jam		

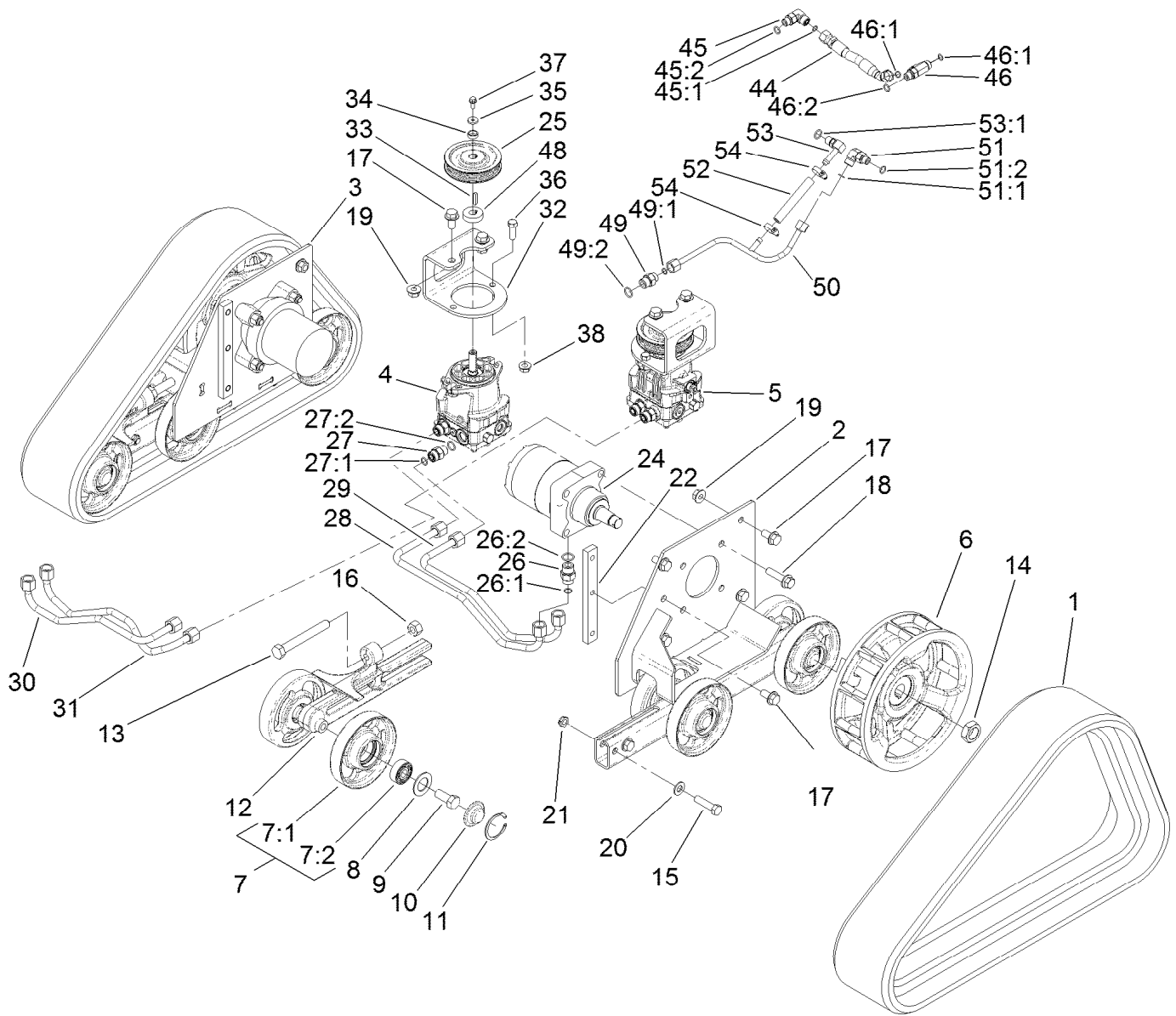
# Contents

Main Frame Assembly . . . . .	4
Track and Drive Assembly . . . . .	5
Hydraulic Pump Assembly No. 117-6409 . . . . .	7
Hydraulic Pump Assembly No. 117-6410 . . . . .	8
Hydraulic Motor Assembly No. 104-8470 . . . . .	9
Parking Brake Assembly . . . . .	10
Engine Assembly . . . . .	11
Gear Pump Assembly No. 114-3072 . . . . .	13
Control Assembly . . . . .	14
Trencher Assembly . . . . .	16
Hydraulic Motor Assembly No. 114-3053 . . . . .	17
Control Tower Assembly . . . . .	18
Hydraulic Control Assembly . . . . .	20
2-Spool Valve Assembly No. 115-4062 . . . . .	21
Oil Cooler Assembly . . . . .	22
Hydraulic Routing Assembly . . . . .	23
Electrical Assembly . . . . .	24
Cylinder and Crankcase Assembly . . . . .	25
Piston and Crankshaft Assembly . . . . .	26
Valve and Camshaft Assembly . . . . .	27
Lubrication Equipment Assembly . . . . .	28
Cooling Equipment Assembly . . . . .	29
Electric Equipment Assembly . . . . .	30
Control Equipment Assembly . . . . .	31
Carburetor Assembly . . . . .	32
Air Filter and Muffler Assembly . . . . .	33
Fuel Pump and Filter Assembly . . . . .	34
Starter Assembly . . . . .	35
Label Set . . . . .	36
Attachments and Accessories . . . . .	37



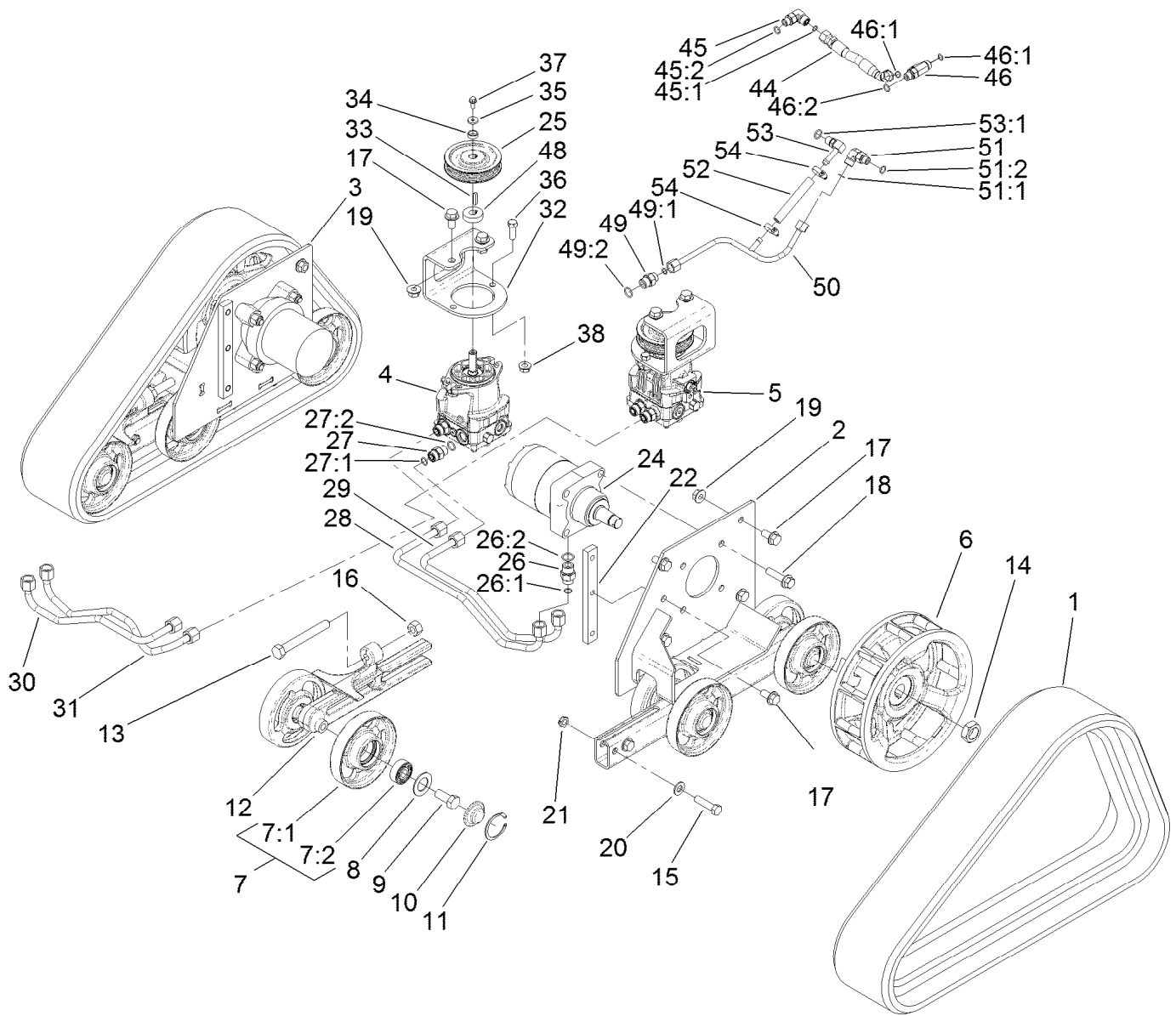
## Main Frame Assembly

Ref.	Part Number	Qty.	Description	Ref.	Part Number	Qty.	Description
1	114-8630	1	Main Frame ASM	11	323-12	1	Screw-HH
1:2	100-4650	1	Decal-Warning	12	32128-40	2	Nut-Flange
1:3	93-9084	2	Decal-Point, Lift	13	120-7352	1	Pin-Pivot
1:4	93-7814	2	Decal-Danger	14	321-18	1	Screw-HH
1:5	93-6686	1	Decal-Oil, HYD	15	3296-42	1	Nut-Lock, NI
2	114-3075	1	Sight Glass ASM	16	302-5	1	Fitting-Grease
2:1	237-79	1	O-Ring	17	114-3039	1	In-Tank Filter ASM
3	112-4576	5	Nut-Clip, U	18	1-523420	1	Bumper
4	115-6503-01	1	Cover-Rear	19	32128-33	1	Nut-HF
5	119-4566-03	1	Plate-Cover, Front	23	100-4860	1	Bracket-Clamp
6	354-120	1	Fitting-HYD, 90 DEG	24	93-5023	1	Spacer
6:1	237-79	1	O-Ring	25	322-10	1	Screw-HH
7	114-3042	1	Hose-Breather	26	32128-20	1	Nut-HF
8	68-6150	1	Breather	33	3334-945	1	Tie-Cable
9	2412-36	2	Clamp-Hose	36	107-3154	5	Nut-Push
10	3234-11	2	Screw-HHF	39	3234-18	3	Screw-HHF



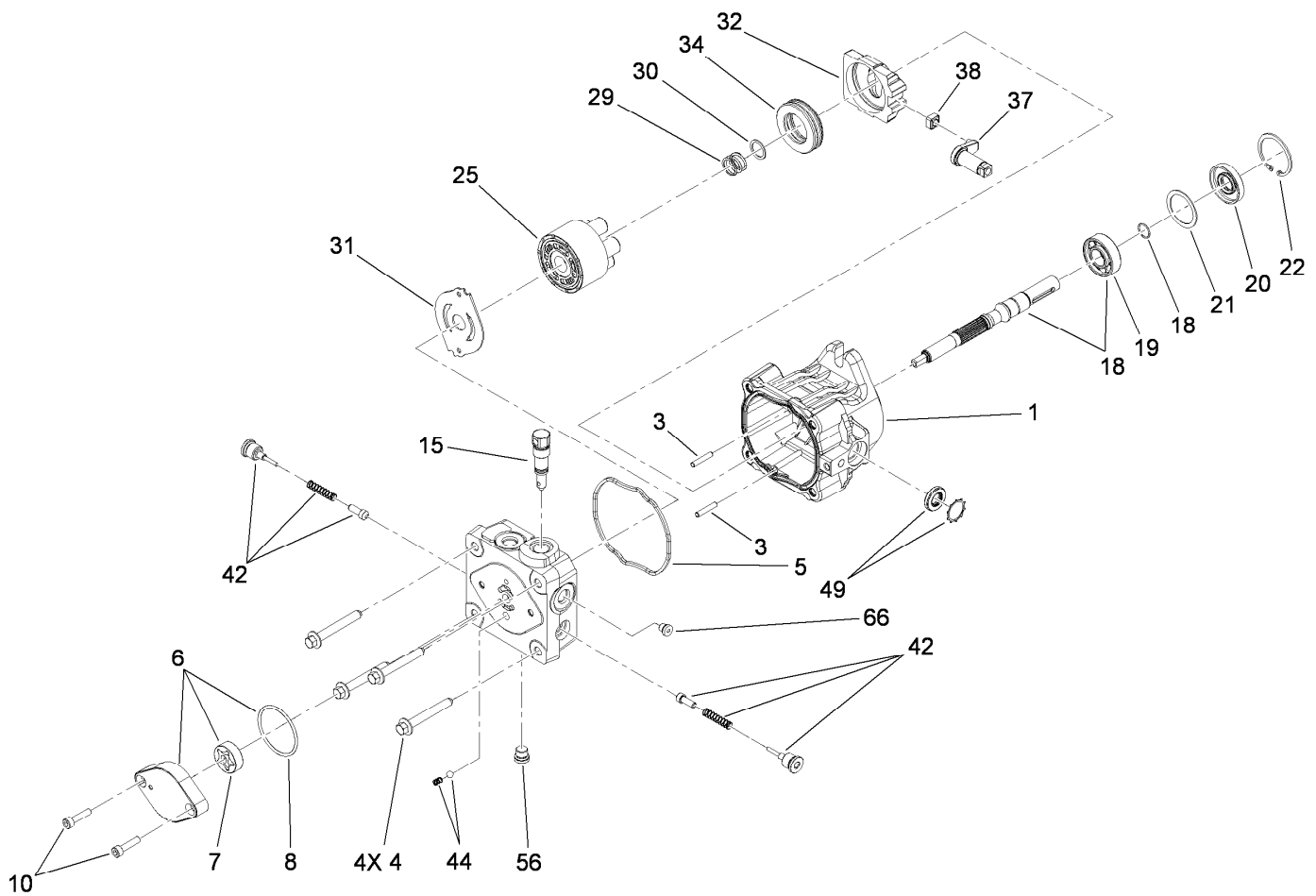
## Track and Drive Assembly

Ref.	Part Number	Qty.	Description	Ref.	Part Number	Qty.	Description
1	112-4816	2	Track-Rubber	20	3256-26	4	Washer-Flat
2	114-2992-03	1	Frame-Track, LH	21	3296-45	4	Nut-Lock, NI
3	114-2993-03	1	Frame-Track, RH	22	114-3091	2	Bar-Thread
4	117-6409	1	RH HYD Pump ASM	24	104-8470	2	HYD Wheel Motor ASM
5	117-6410	1	LH HYD Pump ASM	25	115-1298	2	Sheave
6	117-6426-03	2	Wheel-Drive	26	340-6	4	Fitting-HYD, Straight
7	112-4817	12	Wheel-Tensioner	26:1	237-30	1	O-Ring
7:1	114-3014-03	1	Wheel-Track	26:2	237-80	1	O-Ring
7:2	120-5378	1	Bearing-Ball	27	340-4	4	Fitting-HYD, Straight
8	106-7585	12	Gasket-Bogie	27:1	237-30	1	O-Ring
9	327-4	12	Screw-HH	27:2	237-79	1	O-Ring
10	106-7557	12	Cap-Wheel, Bearing	28	115-1285	1	HYD Tube ASM
11	106-7595	12	Ring-Snap, Internal	29	115-1286	1	HYD Tube ASM
12	114-3077-03	2	Tensioner-Track	30	115-1287	1	HYD Tube ASM
13	112-4874	2	Screw-HH, TAP	31	115-1288	1	HYD Tube ASM
14	106-8159	2	Nut-Lock	32	115-1289-03	2	Bracket-Mount, Pump
15	325-8	4	Screw-HH	33	80-6090	2	Key-Pump
16	3217-11	2	Nut-Hex	34	108-4211	2	Bushing
17	3234-6	10	Screw-HHF	35	73-3580	2	Washer
18	3234-27	8	Screw-HHF	36	324-5	4	Screw-HH
19	32128-49	8	Nut-HHF	37	33103-016	2	Screw-HHF



## Track and Drive Assembly (continued)

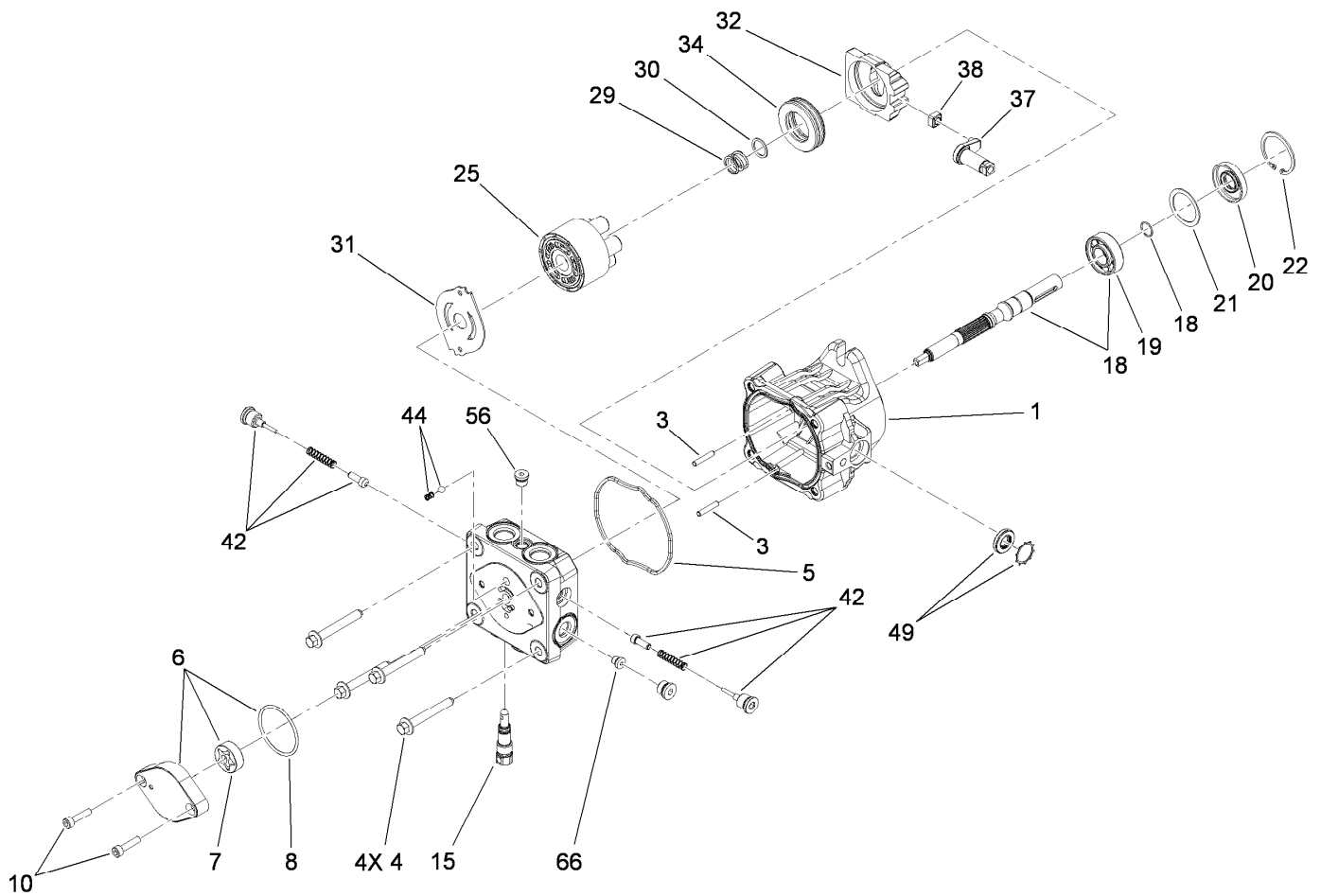
<i>Ref.</i>	<i>Part Number</i>	<i>Qty.</i>	<i>Description</i>	<i>Ref.</i>	<i>Part Number</i>	<i>Qty.</i>	<i>Description</i>
38	32128-42	4	Nut-HF	49:1	237-22	1	O-Ring
44	115-1297	1	HYD Hose ASM	49:2	237-79	1	O-Ring
45	340-77	1	Fitting-HYD, 90 DEG	50	117-1305	1	HYD Tube ASM
45:1	237-22	1	O-Ring	51	340-77	1	Fitting-HYD, 90 DEG
45:2	237-42	1	O-Ring	51:1	237-22	1	O-Ring
46	340-86	1	Fitting-Tee	51:2	237-42	1	O-Ring
46:1	237-22	2	O-Ring	52	115-4083	1	Hose
46:2	237-42	1	O-Ring	53	100-4887	1	Fitting-Barbed, 90 DEG
48	115-4002	2	Spacer	53:1	237-42	1	O-Ring
49	340-3	1	Adapter	54	2412-36	2	Clamp-Hose



## Hydraulic Pump Assembly No. 117-6409

Ref.	Part Number	Qty.	Description	Ref.	Part Number	Qty.	Description
1	115-4464	1	Housing Kit	29	94-1936	1	Spring-Block
3	106-8753	2	Pin-Headless, Straight	30	94-1937	1	Washer-Thrust
4	106-8754	4	Bolt-HF	31	105-6185	1	Plate-Valve
5	106-8755	1	O-Ring	32	94-1907	1	Swashplate-Variable
6	106-8756	1	Charge Pump Kit	34	94-6922	1	Bearing-Thrust
7	104-2122	1	Gerotor ASM	37	115-4458	1	Arm-Trunnion, Tapered Square
8	106-8757	1	O-Ring	38	94-1910	1	Guide-Slot
10	104-2111	2	Capscrew	42	98-3252	2	Valve-Check (W/Poppet)
15	106-8759	1	Bypass Valve Kit	44	106-8760	1	Charge Relief Valve Kit
18	103-2664	1	Input Shaft Kit	49	114-8155	1	Trunnion Seal Kit
19	104-5311	1	Bearing-Ball	56	106-8762	1	Plug-HSH
20	104-5310	1	Seal-Lip	66	106-8763	1	Plug-HSH
21	104-5308	1	Spacer	99	105-6184	1	Seal Overhaul Kit ●
22	104-5309	1	Ring-Retaining				
25	103-2666	1	Cylinder Block Kit				

● Not illustrated

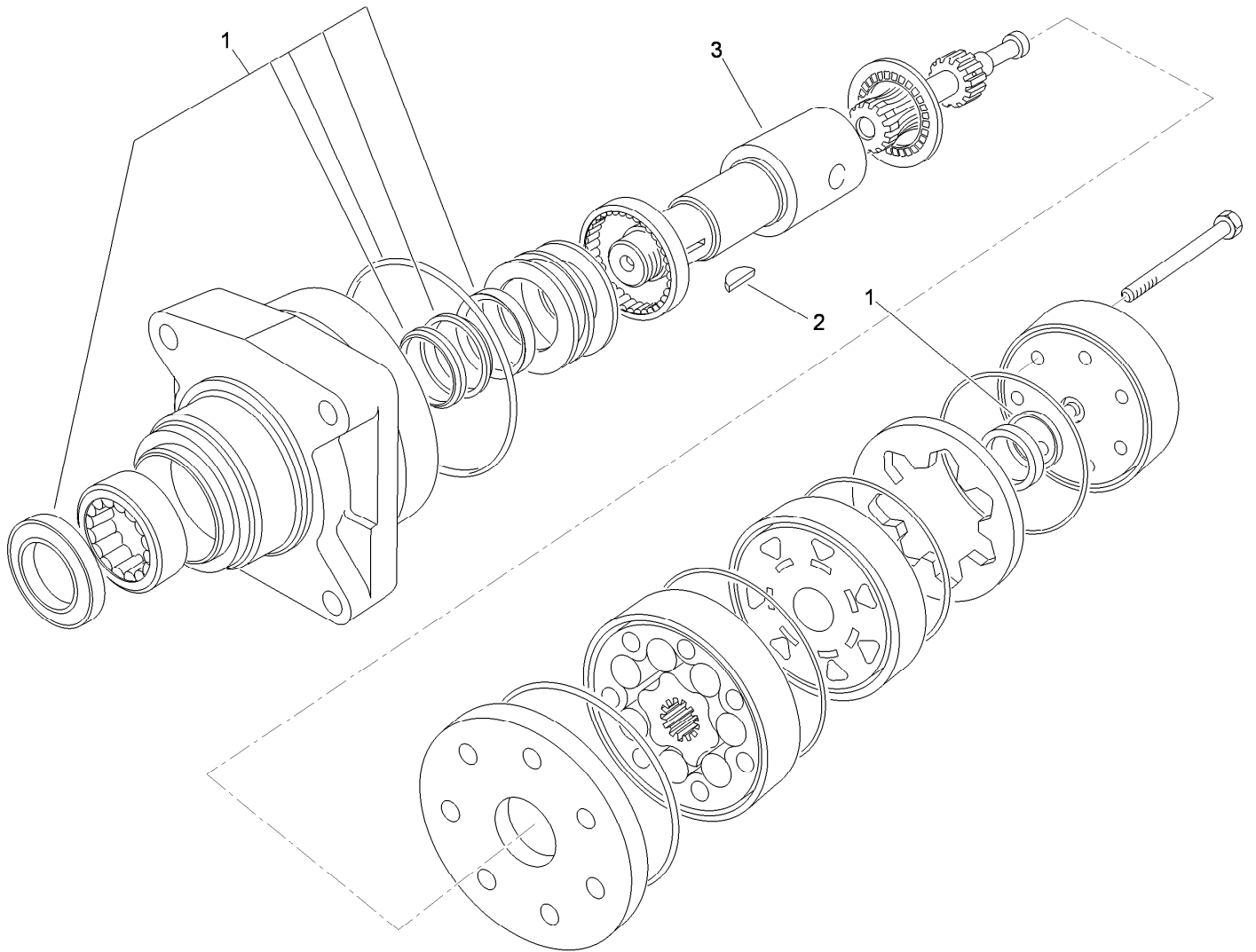


## Hydraulic Pump Assembly No. 117-6410

Ref.	Part Number	Qty.	Description	Ref.	Part Number	Qty.	Description
1	115-4464	1	Housing Kit	29	94-1936	1	Spring-Block
3	106-8753	2	Pin-Headless, Straight	30	94-1937	1	Washer-Thrust
4	106-8754	4	Bolt-HF	31	105-6185	1	Plate-Valve
5	106-8755	1	O-Ring	32	94-1907	1	Swashplate-Variable
6	106-8756	1	Charge Pump Kit	34	94-6922	1	Bearing-Thrust
7	104-2122	1	Gerotor ASM	37	115-4458	1	Arm-Trunnion, Tapered Square
8	106-8757	1	O-Ring	38	94-1910	1	Guide-Slot
10	104-2111	2	Capscrew	42	98-3252	2	Valve-Check (W/Poppet)
15	106-8759	1	Bypass Valve Kit	44	106-8760	1	Charge Relief Valve Kit
18	103-2664	1	Input Shaft Kit	49	114-8155	1	Trunnion Seal Kit
19	104-5311	1	Bearing-Ball	56	106-8762	1	Plug-HSH
20	104-5310	1	Seal-Lip	66	106-8763	1	Plug-HSH
21	104-5308	1	Spacer	99	105-6184	1	Seal Overhaul Kit ●
22	104-5309	1	Ring-Retaining				
25	103-2666	1	Cylinder Block Kit				

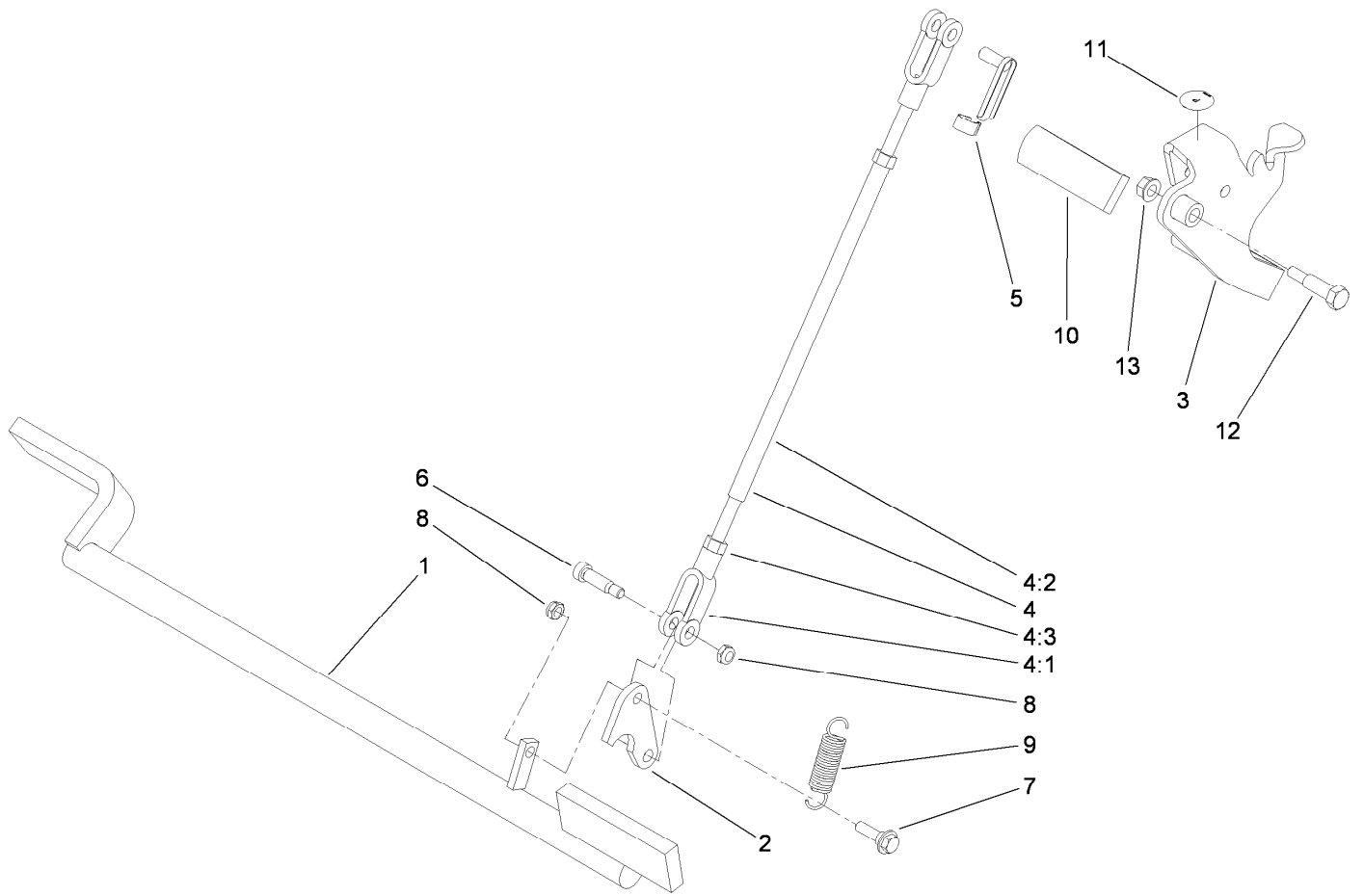
● Not illustrated





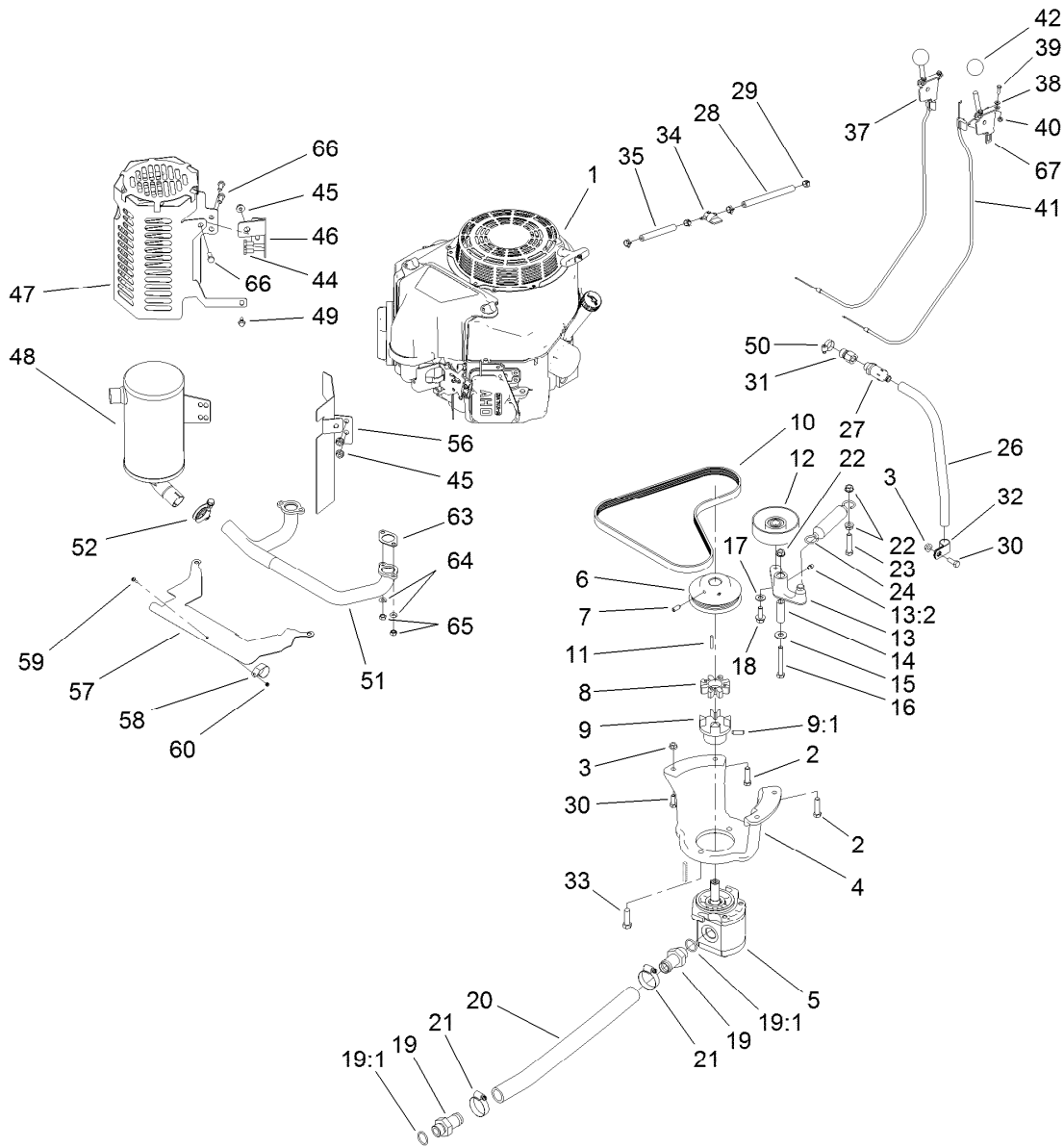
## Hydraulic Motor Assembly No. 104-8470

<i>Ref.</i>	<i>Part Number</i>	<i>Qty.</i>	<i>Description</i>
1	115-4061	1	Seal Kit
2	3257-42	1	Key-Woodruff
3	99-3090	1	Shaft-Coupling



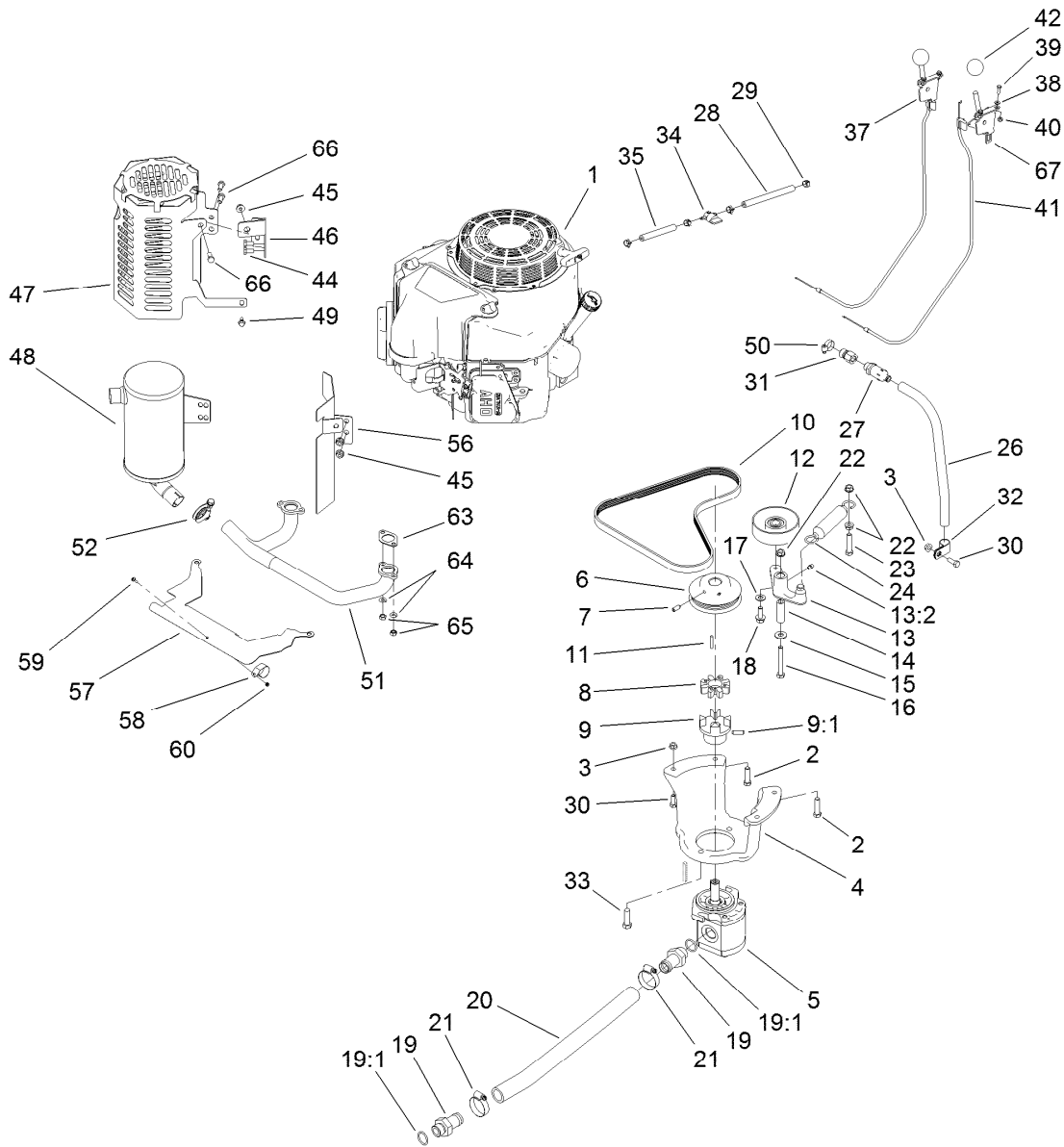
## Parking Brake Assembly

<i>Ref.</i>	<i>Part Number</i>	<i>Qty.</i>	<i>Description</i>	<i>Ref.</i>	<i>Part Number</i>	<i>Qty.</i>	<i>Description</i>
1	114-2972-03	1	Bar-Brake	6	114-8629	1	Bolt-Shoulder
2	114-2975	1	Link-Mounting	7	27-7211	1	Screw-Shoulder
3	117-6421-03	1	Handle-Brake	8	3296-47	2	Nut-Lock, NI
4	103-4335	1	Brake Rod ASM	9	67-1450	1	Spring-Idler
4:1	1-633131	2	Yoke-Linkage, Brake	10	62-9130	1	Grip-Handle
4:2	103-3907	1	Linkage-Handle, Brake	11	107-8495	1	Decal-Parking Brake
4:3	3219-3	2	Nut-Hex	12	7-0030	1	Screw-Shoulder, HH
5	103-2399	1	Pin-Spring, Clevis	13	32128-20	1	Nut-HF



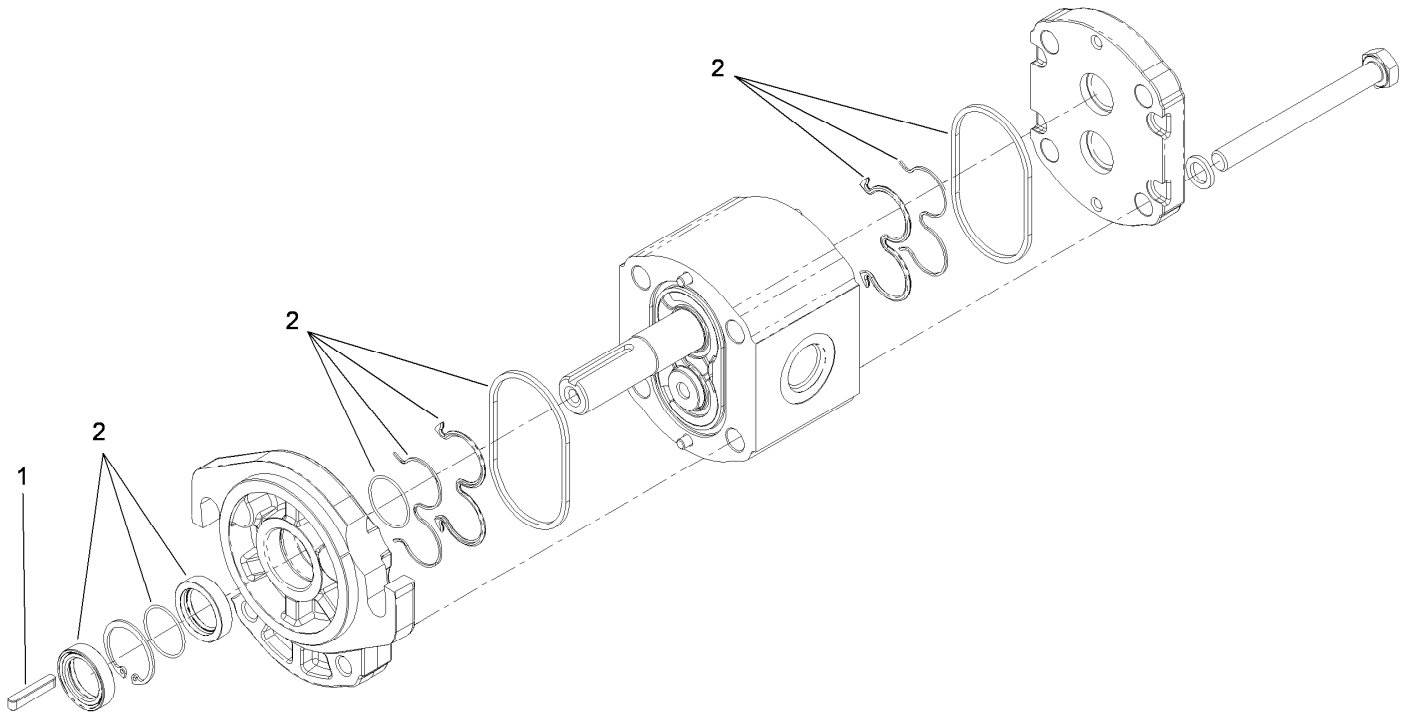
## Engine Assembly

Ref.	Part Number	Qty.	Description	Ref.	Part Number	Qty.	Description
1	117-6449	1	Engine-Kawasaki, Fs600V	19:1	237-81	1	O-Ring
2	323-8	4	Screw-HH	20	114-2917	1	Hose-Suction
3	32128-20	3	Nut-HF	21	2412-111	2	Clamp
4	115-1480-03	1	Mount-Pump	22	3290-357	3	Nut-HHF, Whiz
5	114-3072	1	Gear Pump ASM	23	323-9	1	Screw-HH
6	114-8559-03	1	Pulley-Engine	24	66-4270	1	Spring-Extension
7	3246-6	2	Screw-Set, HSH	26	106-5709	1	Hose-Vent
8	93-8827	1	Spider-Coupler	27	92-6877	1	Valve-Drain, Oil
9	114-2933	1	Coupler-Flex	28	109-0306	1	Hose-Fuel
9:1	100-7594	1	Screw-Set	29	2412-98	4	Clamp-Hose
10	114-2991	1	Belt-V	30	322-4	3	Screw-HH
11	608006	1	Key-Square	31	103-1966	1	Adapter
12	95-8802	1	Pulley-Idler	32	2412-81	1	Clamp-R
13	117-6323	1	Idler Arm ASM	33	324-6	2	Screw-HH
13:2	302-5	1	Fitting-Grease	34	1-603770	1	Valve-Fuel
14	114-2916	1	Bushing-Idler	35	109-0295	1	Hose-Fuel
15	3256-4	1	Washer-Flat	37	108-9730	1	Lever-Control
16	323-13	1	Screw-HH	38	3256-21	4	Washer-Flat
17	3256-24	1	Washer-Flat	39	3290-134	4	Screw
18	3234-11	1	Screw-HHF	40	3296-2	4	Nut-Lock, NI
19	99-3017	2	Fitting	41	115-1211	2	Cable-Control



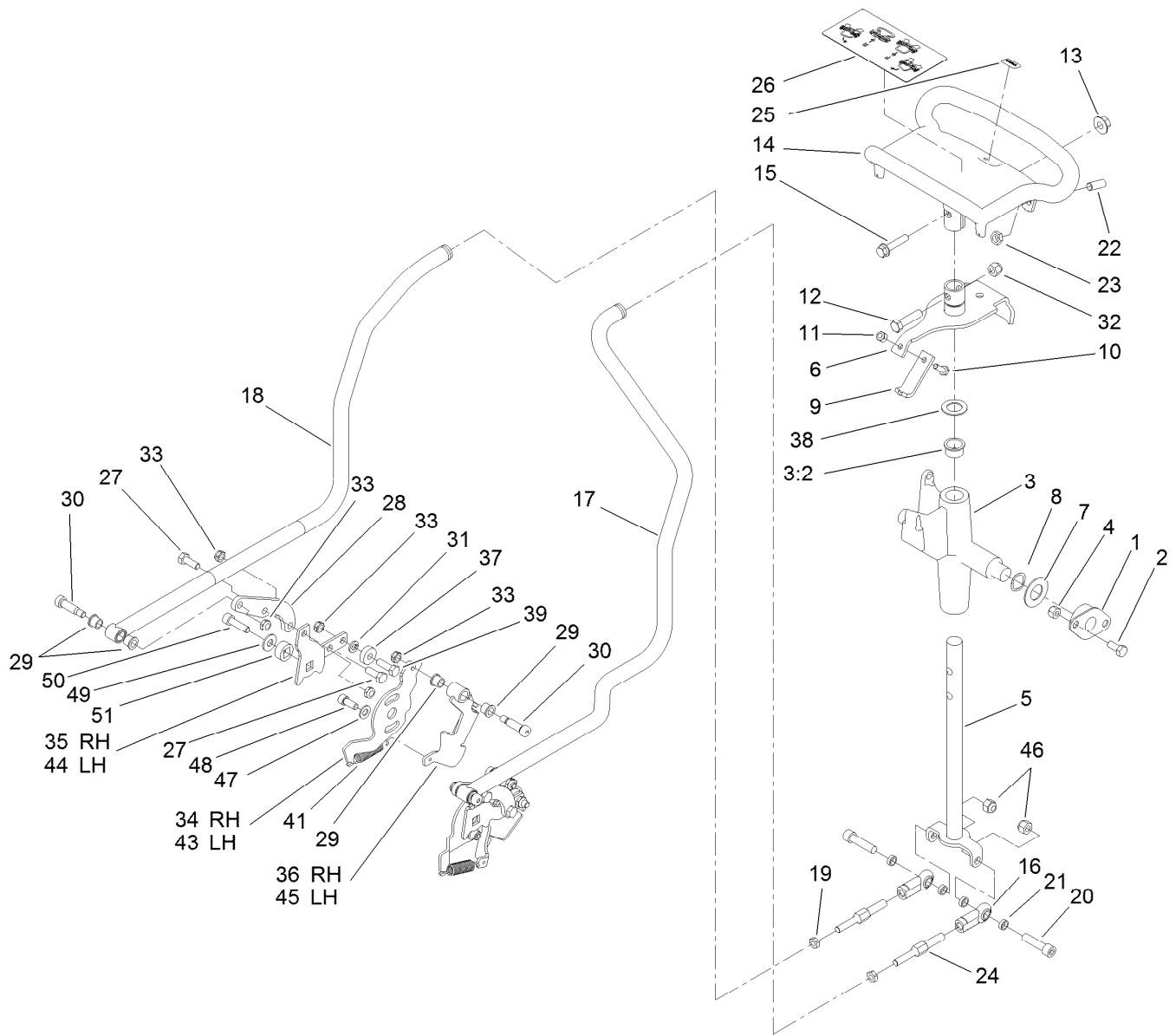
## Engine Assembly (continued)

<i>Ref.</i>	<i>Part Number</i>	<i>Qty.</i>	<i>Description</i>	<i>Ref.</i>	<i>Part Number</i>	<i>Qty.</i>	<i>Description</i>
42	233-42	2	Knob	57	117-6285	1	Plate-Shield, Heat
44	33114-016	2	Screw-HH	58	115-6488	1	Clamp
45	112-2844	3	Nut-HF	59	115-6494	1	Screw-Pan
46	117-6278-03	1	Bracket-Guard, Muffler	60	115-6495	1	Nut-Hex
47	117-6283-03	1	Shield-Muffler	63	1-653313	2	Gasket-Exhaust
48	117-6319	1	Muffler	64	115-6496	4	Washer-Spring (F/W Engine)
49	33103-016	1	Screw-HHF	65	115-6611	4	Nut-Hex (F/W Engine)
50	2412-36	1	Clamp-Hose	66	33114-020	3	Screw-HH
51	117-6401	1	Manifold	67	110-5547	1	Lever-Control
52	2112-11	1	Clamp-Muffler				
56	117-6337	1	Bracket-Shield, Heat				



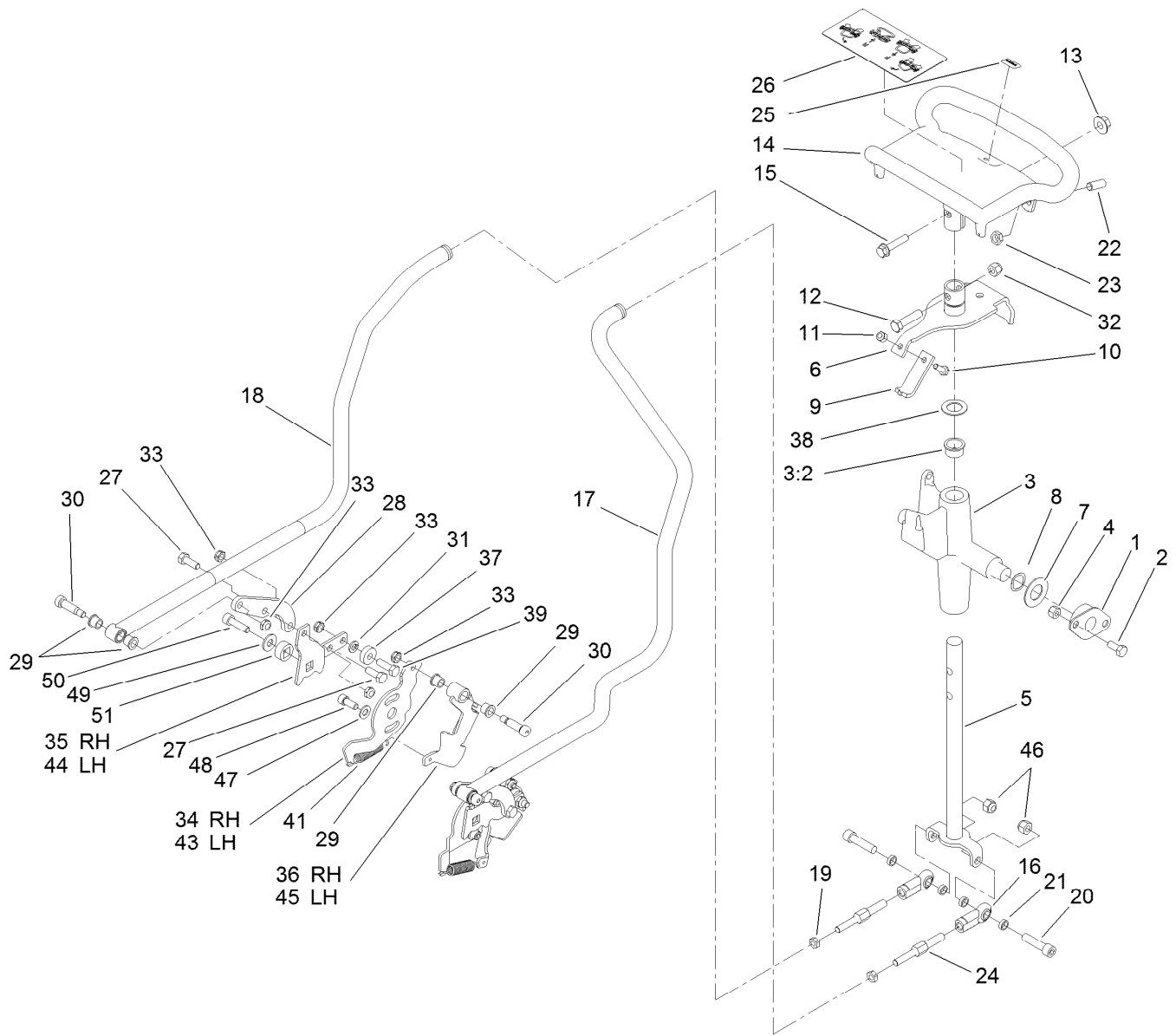
## Gear Pump Assembly No. 114-3072

<i>Ref.</i>	<i>Part Number</i>	<i>Qty.</i>	<i>Description</i>
1	104-5839	1	Key-Square
2	115-1265	1	Seal Kit



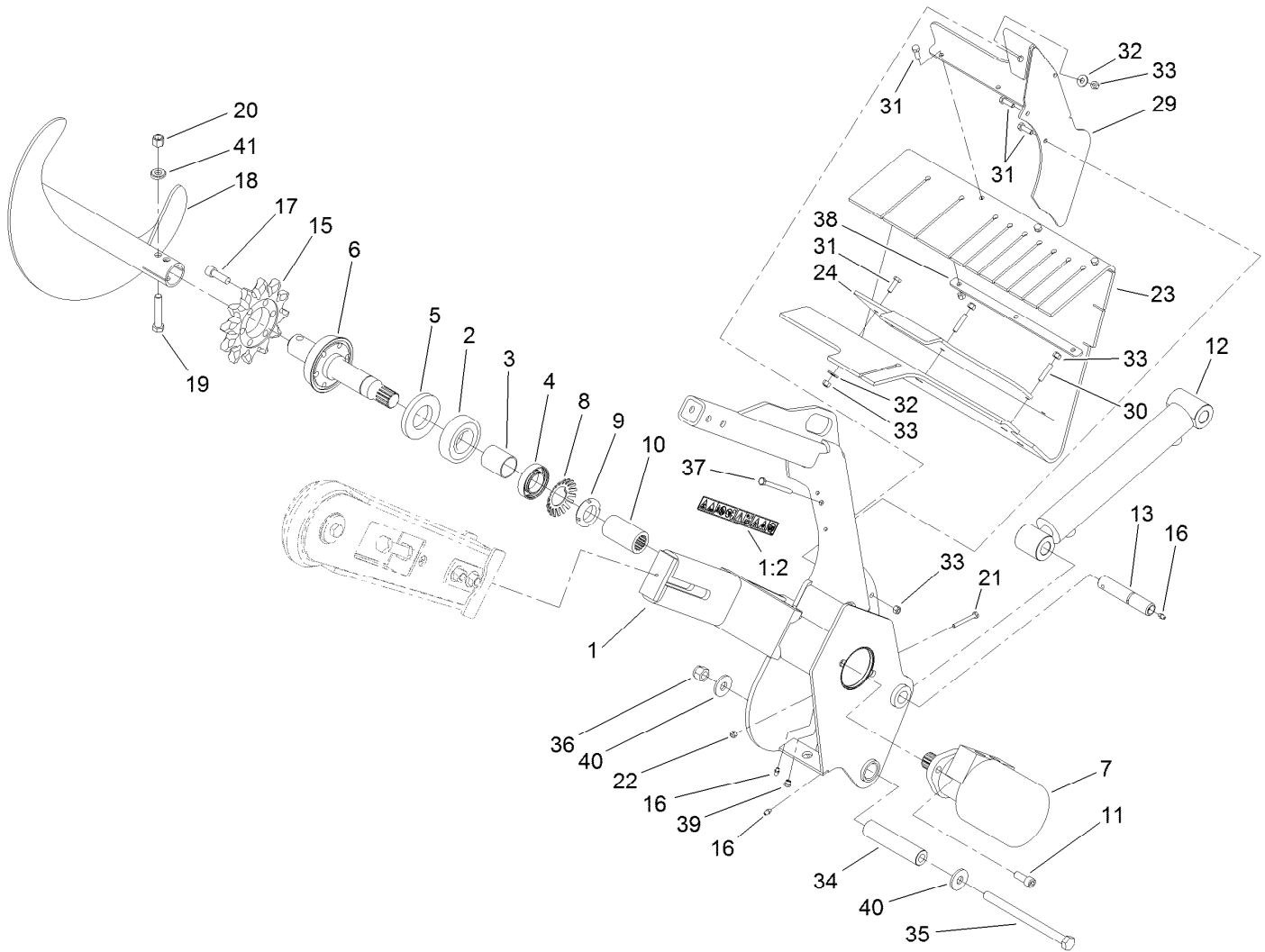
## Control Assembly

Ref.	Part Number	Qty.	Description	Ref.	Part Number	Qty.	Description
1	68-2970	2	Bushing	21	108-0634	4	Spacer-Plate, Retaining
2	322-3	4	Screw-HH	22	3247-6	2	Screw-Set
3	106-5737	1	Control Support ASM	23	3218-3	2	Nut-Jam
3:2	256-252	2	Bearing-Flange	24	117-6334	2	Link-Control, Adjustment
4	3296-29	4	Nut-Lock, NI	25	98-1459	1	Decal
5	117-6335	1	Rod-Drive	26	115-4020	1	Decal-Traction
6	112-2783	1	Lever-Pivot	27	322-4	4	Screw-HH
7	3256-39	2	Washer-Flat	28	115-1290	2	Plate-Adapter, Control, RH
8	95-3703	2	Washer-Spring, Wave	29	256-116	8	Bushing-Flange
9	115-1204	1	Plate-Neutral	30	114-8629	4	Bolt-Shoulder
10	321-4	1	Screw-HH	31	3253-4	2	Washer-Lock
11	3296-42	1	Nut-Lock, NI	32	3296-39	1	Nut-Lock, NI
12	323-8	1	Screw-HH	33	3296-47	10	Nut-Lock, NI
13	32128-43	1	Nut-Flange	34	115-6535	1	Plate-Base, RH
14	120-5380-03	1	Handle-Control	35	115-6536	1	Plate-Arm, Return
15	3234-18	1	Screw-HHF	36	115-6636	1	Pivot-RH
16	103-1167	2	Joint-Ball End, LH	37	251-259	2	Bearing-Ball
17	114-2901	1	Rod-Control, LH	38	257-8	1	Washer-Thrust
18	114-2902	1	Rod-Control, RH	39	322-5	2	Screw-HH
19	3220-2	2	Nut-Jam	41	121-4409	2	Spring-Extension
20	3274-2	2	Screw-HSH	43	115-6549	1	Plate-Base, LH



## Control Assembly (continued)

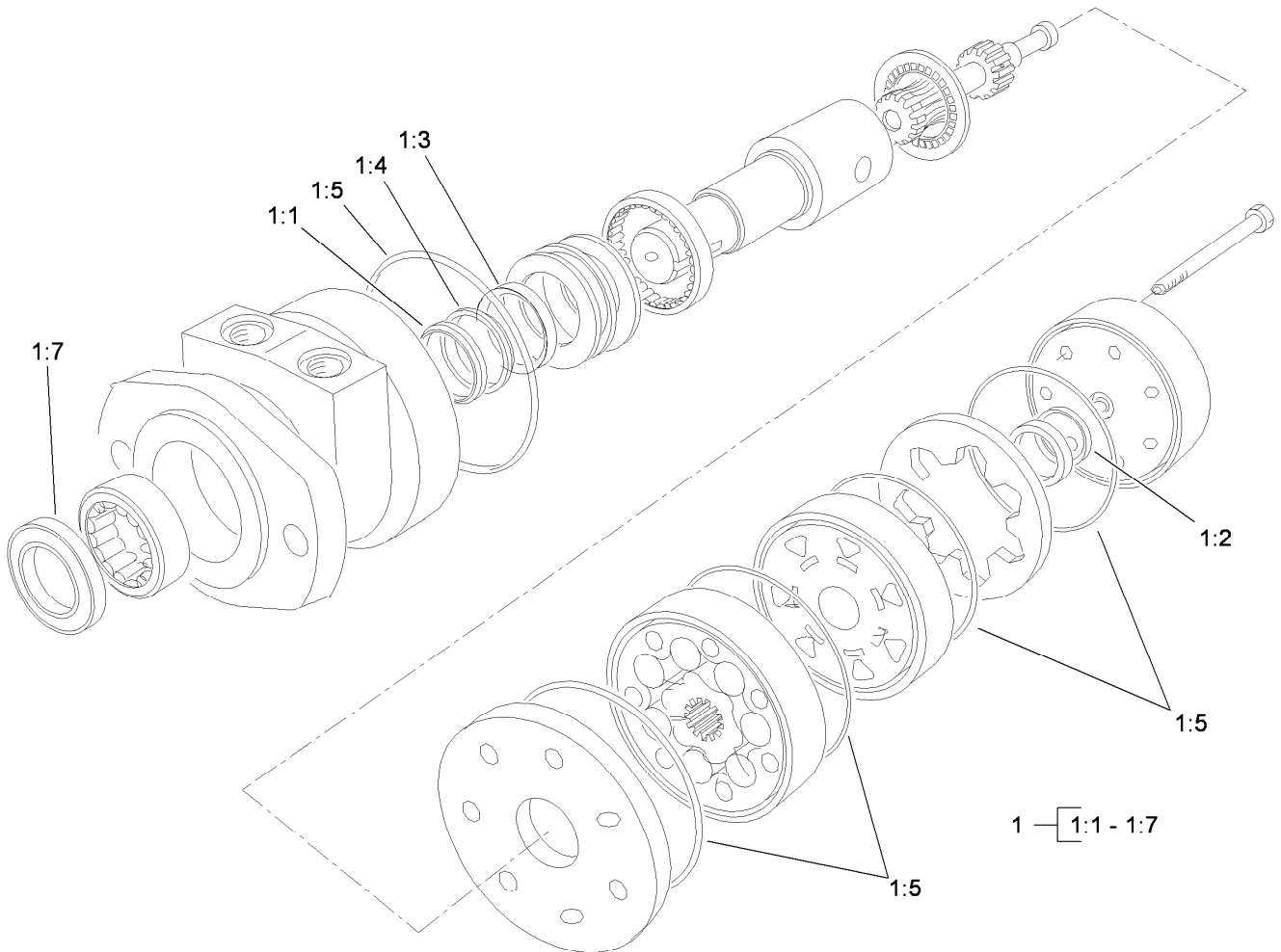
<i>Ref.</i>	<i>Part Number</i>	<i>Qty.</i>	<i>Description</i>	<i>Ref.</i>	<i>Part Number</i>	<i>Qty.</i>	<i>Description</i>
44	115-6628	1	Plate-Arm, Return, LH	48	3273-14	2	Screw-HSH
45	115-6637	1	Pivot-LH	49	3256-3	2	Washer-Flat
46	3296-39	2	Nut-Lock, NI	50	94-3559	2	Screw-HSH
47	3290-456	2	Washer-Belleville	51	117-6429	2	Lock-Trunion



## Trencher Assembly

Ref.	Part Number	Qty.	Description	Ref.	Part Number	Qty.	Description
1	114-8631	1	Trencher Head ASM	20	3296-23	1	Nut-Lock, NI
1:2	99-9952	2	Decal-Danger	21	321-18	1	Screw-HH
2	106-8871	1	Bearing-Ball	22	3296-42	1	Nut-Lock, NI
3	112-4979	1	Spacer	23	114-8569	1	Shield-Dirt
4	111199	1	Bearing-Ball	24	115-1220-03	1	Bar-Clamp
5	114-2955	1	Seal-Grease	29	115-1279-03	1	Bracket-Shield
6	112-4993	1	Shaft-Trencher	30	115-4049	2	Screw-HSH
7	114-3053	1	Motor-HYD	31	322-5	8	Screw-HH
8	114-2956	1	Lockwasher-Bearing	32	3256-3	4	Washer-Flat
9	88-1450	1	Locknut-Bearing	33	3296-29	11	Nut-Lock, NI
10	114-2954	1	Spline-Collar	34	114-8573	1	Spacer-Pivot
11	3274-89	2	Screw-HSH	35	117-6327	1	Bolt-HH
12	121-1955	1	HYD Cylinder ASM	36	3296-53	1	Nut-Lock, NI
13	120-7352	1	Pin-Pivot	37	322-23	1	Screw-HH
15	104-1964	1	Sprocket-Trencher	38	115-4001-03	1	Plate-Strap, Shield
16	302-5	3	Fitting-Grease	39	302-34	1	Fitting-Lube
17	3274-4	6	Screw-HSH	40	104-9216	2	Washer-Hardened
18	117-8852-03	1	Auger-Trencher	41	117-3479	2	Washer-Saddle
19	325-13	1	Screw-HH				

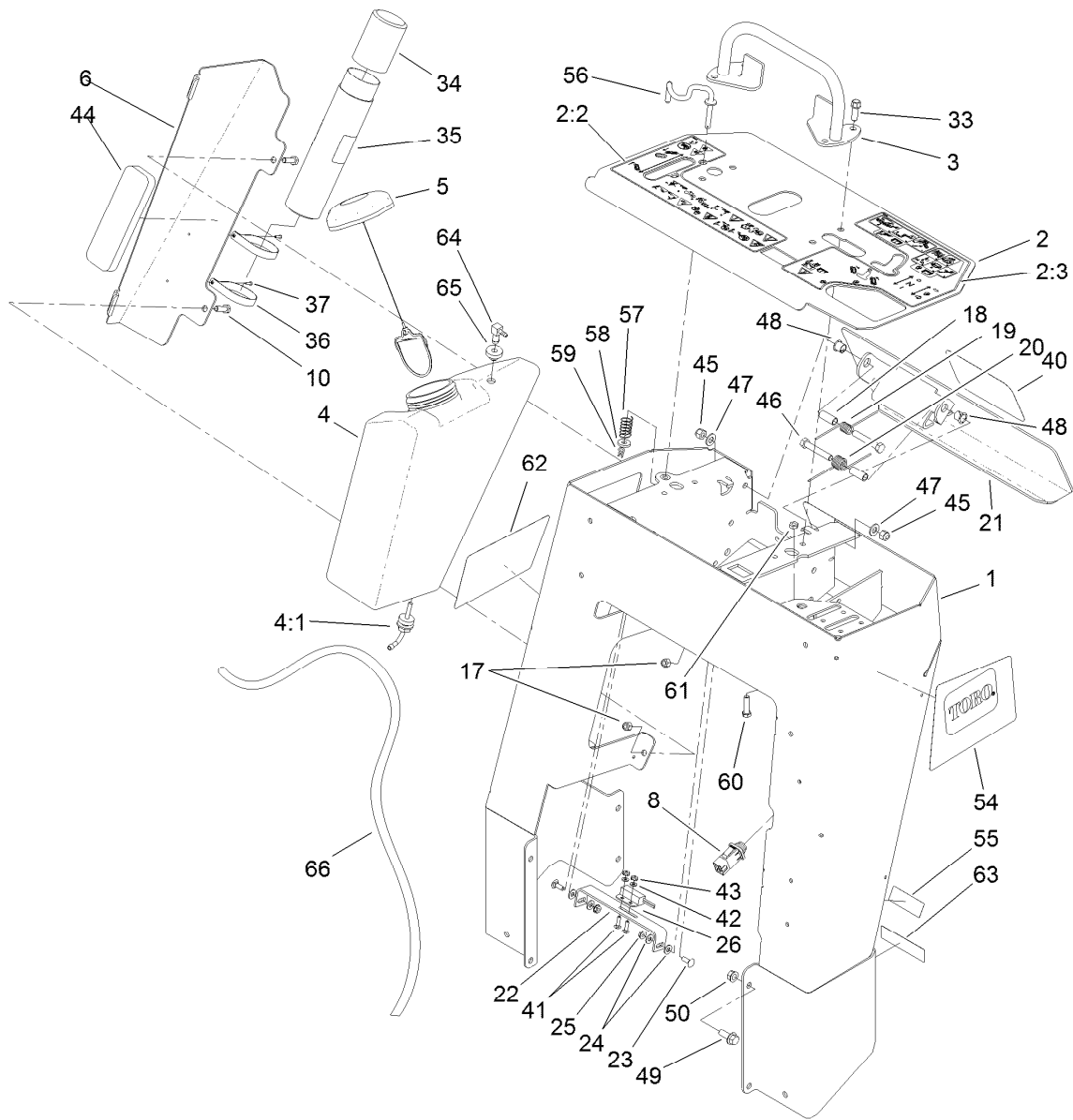




## Hydraulic Motor Assembly No. 114-3053

Ref.	Part Number	Qty.	Description
1	1-000119	1	Seal Kit
1:1		1	Ring-Back Up ●
1:2		1	Seal-Commutator ●
1:3		1	Seal-Shaft (Viton) ●
1:4		1	Washer-Back Up, Steel ●
1:5		5	Ring-Seal (Viton) ●
1:7		1	Seal-Dirt And Water ●

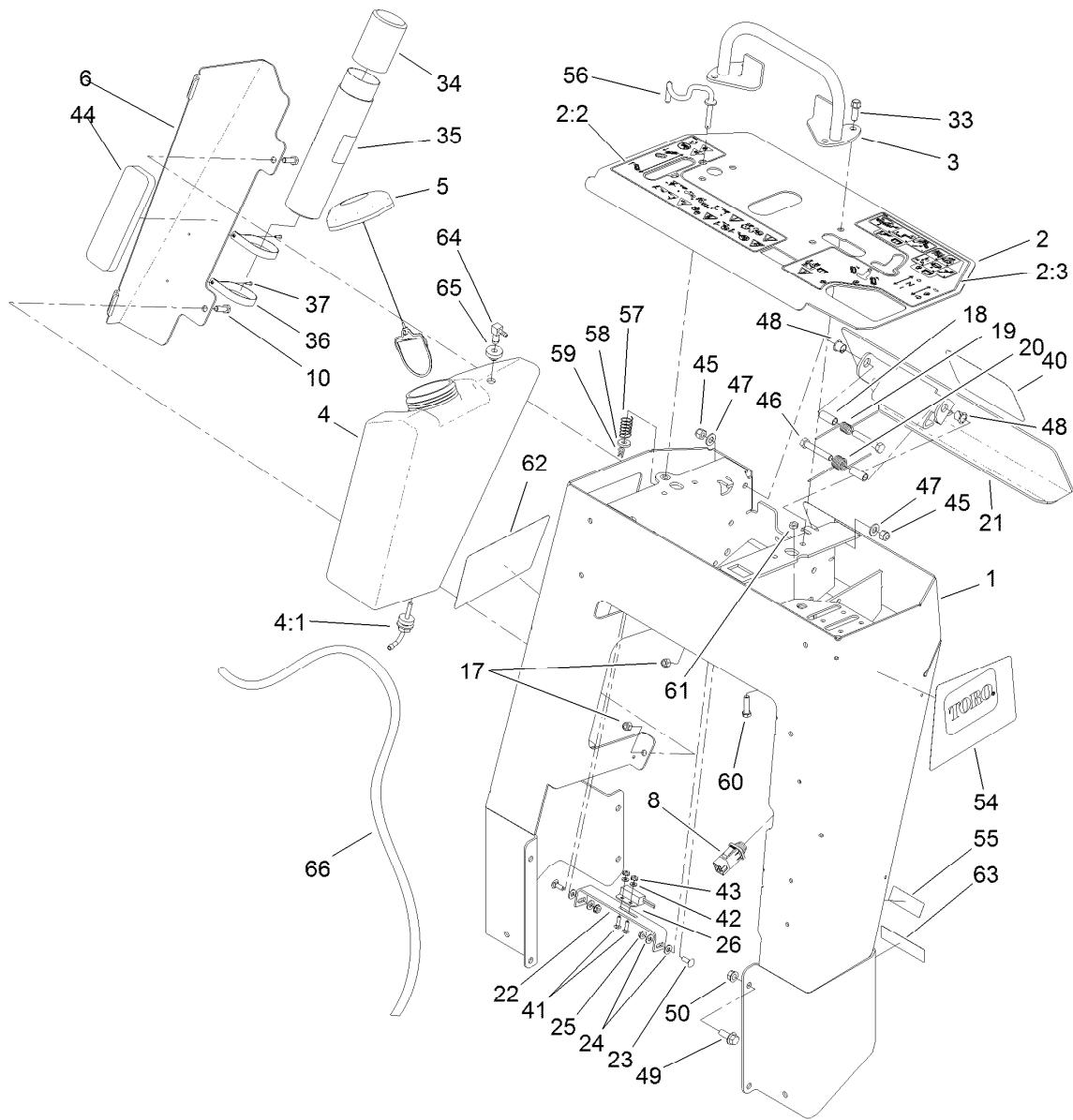
● Not serviced separately



## Control Tower Assembly

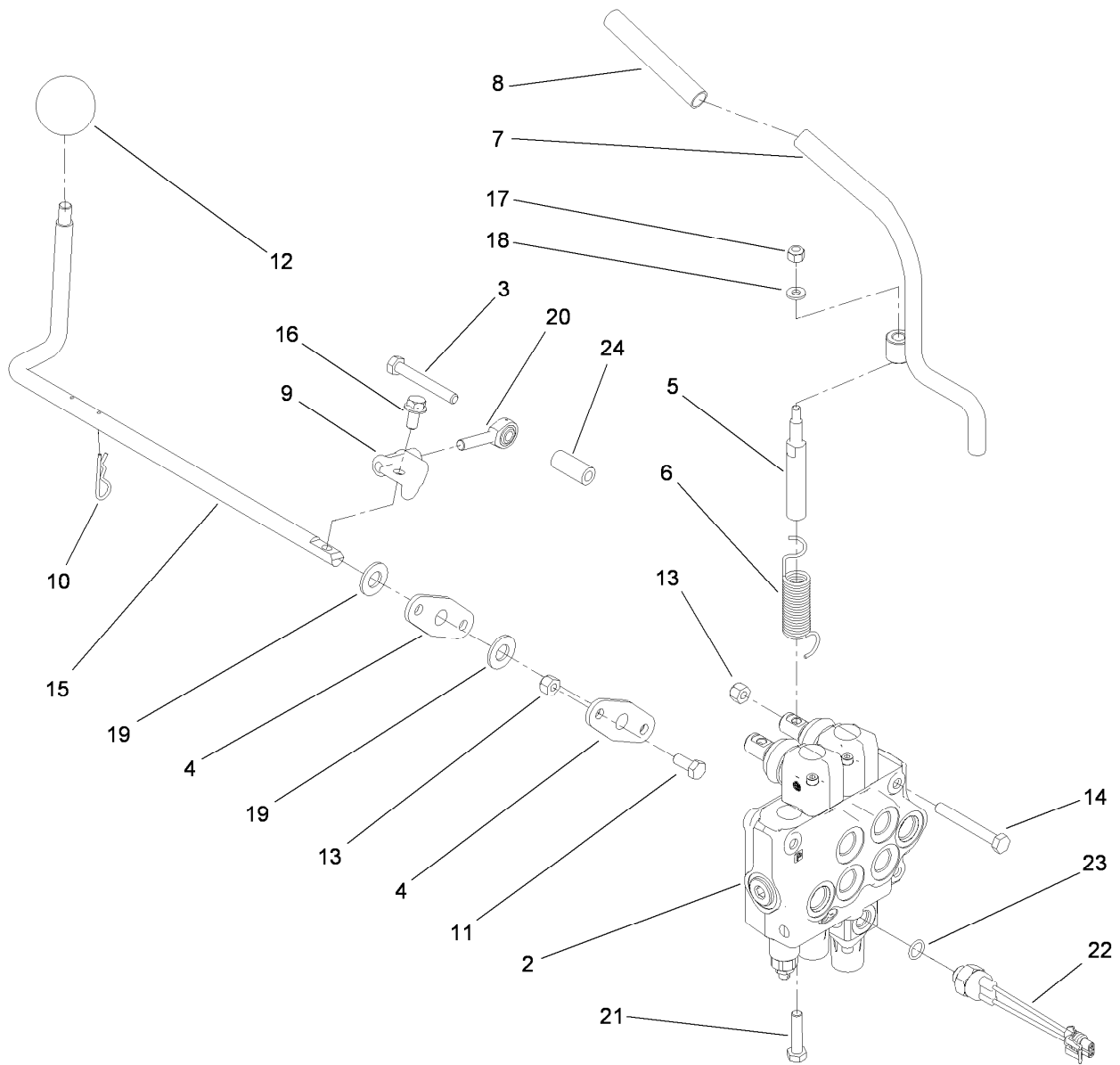
Ref.	Part Number	Qty.	Description
1	117-6419-01	1	Tower
2	117-6389	1	Panel-Control
2:2	115-1231	1	Decal-Console, RH
2:3	115-1230	1	Decal-Console, LH
3	106-7715	1	Bar-Reference
4	120-7357	1	Tank-Fuel
4:1	103-2605	1	Fitting-Fuel, Bulkhead
5	120-5461	1	Cap-Fuel, Ratcheting
6	114-3065-01	1	Bracket-Cover, Tank
8	100-1268	1	Switch-Plunger
10	322-5	2	Screw-HH
17	3296-29	2	Nut-Lock, NI
18	114-1337	2	Spacer-Spring
19	98-8425	1	Spring-Torsion, LH
20	98-8424	1	Spring-Torsion, RH
21	114-3012-03	1	Plate-Reverse
22	100-1263	1	Plate-Switch
23	3229-1	2	Bolt-CARR
24	3256-22	4	Washer-Flat
25	32149-2	2	Nut-Keps
26	100-1270	1	Switch-Proximity

Ref.	Part Number	Qty.	Description
33	95-1726	4	Screw-Taptite
34	104-7048	1	Cap-Housing
35	104-7050	1	Tube-Manual
36	2412-120	2	Clamp-R
37	3269-17	2	Rivet-Pop
40	105-1217	1	Decal
41	3229-20	2	Screw-CARR
42	3256-51	2	Washer-Flat
43	32149-7	2	Nut-Keps
44	107-7507	1	Pad-Foam
45	3296-39	2	Nut-Lock, NI
46	323-11	2	Screw-HH
47	3256-24	2	Washer-Flat
48	256-257	2	Bushing-Nyliner
49	3234-11	8	Screw-HHF
50	32128-40	8	Nut-Flange
54	117-6282	1	Decal-Side, LH
55	120-7532	1	Decal-Info
56	114-8727	1	Rod-Interlock
57	85-6750	1	Spring-Control
58	88-7200	1	Washer-Flat



## Control Tower Assembly (continued)

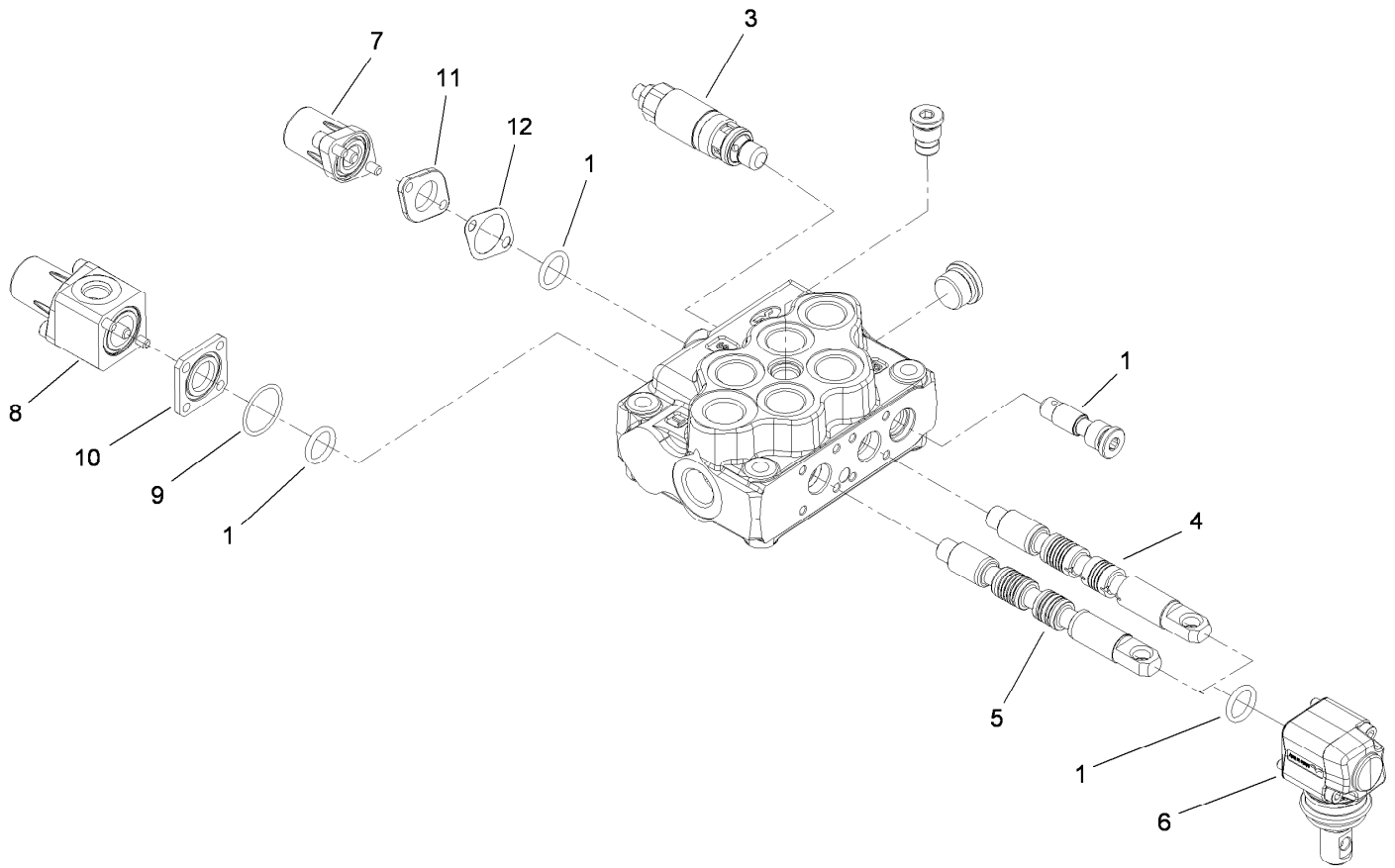
<i>Ref.</i>	<i>Part Number</i>	<i>Qty.</i>	<i>Description</i>	<i>Ref.</i>	<i>Part Number</i>	<i>Qty.</i>	<i>Description</i>
59	3290-307	1	Pin-Hair	63	117-2718	1	Decal-Arrester, Spark
60	3210-7	1	Screw-HH	64	104-5228	1	Fitting-Elbow, 90 DEG
61	3220-2	2	Nut-Jam	65	46-6560	1	Bushing
62	117-6271	1	Decal-Side, RH	66	117-6396	1	Hose-Vent, Tank



## Hydraulic Control Assembly

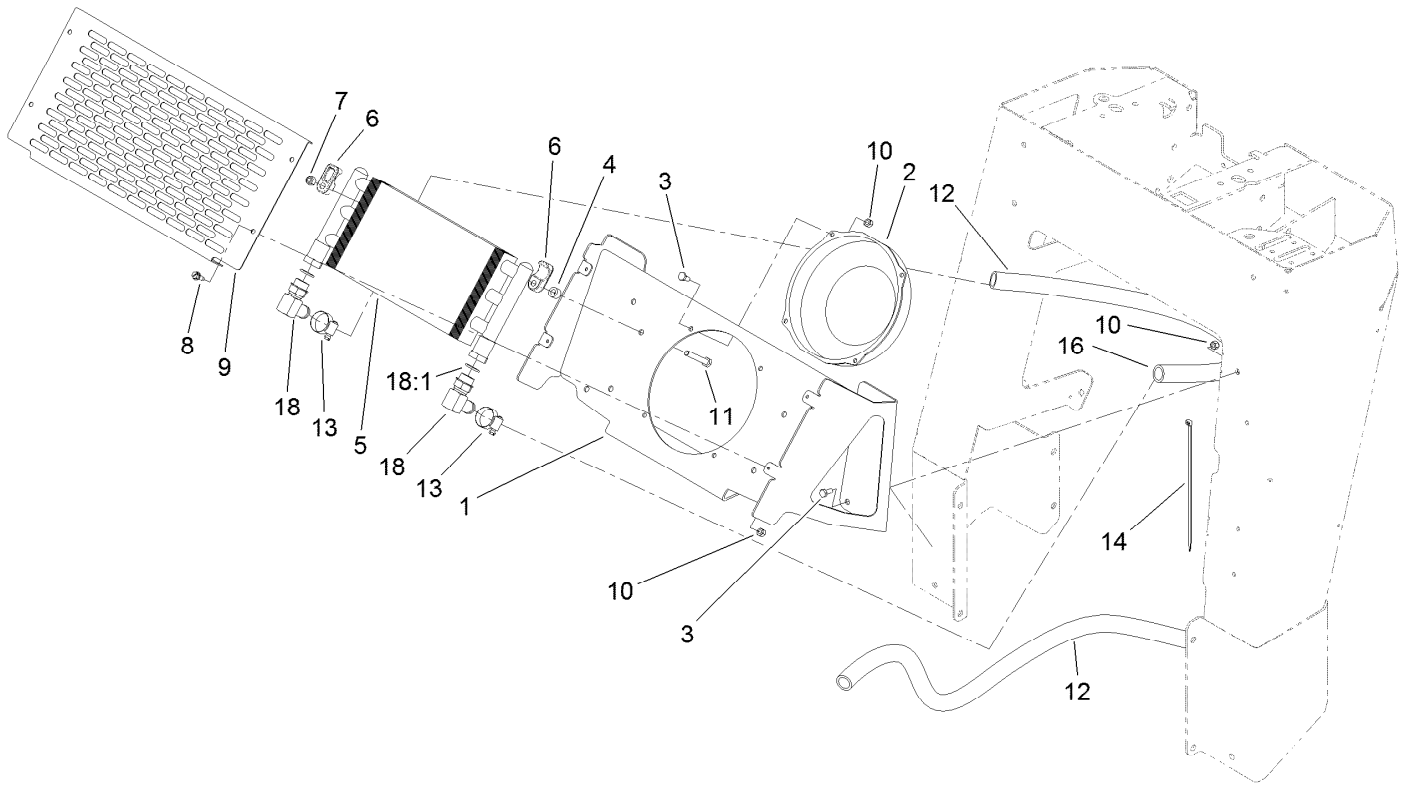
Ref.	Part Number	Qty.	Description
2	115-4062	1	HYD Valve ASM
3	33114-060	1	Screw-HH
4	20-1620	2	Bearing-Wheel, Friction
5	104-2827	1	Spacer-Hiflo
6	112-2738	1	Spring-Torsion
7	112-2739	1	Lever-Auxiliary
8	112-2605	1	Grip-Rubber
9	112-7210	1	Bracket-Control
10	3290-467	2	Pin-Hair
11	322-3	4	Screw-HH
12	233-21	1	Knob
13	3296-29	7	Nut-Lock, NI

Ref.	Part Number	Qty.	Description
14	322-12	3	Screw-HH
15	114-8598	1	Rod-Lever, Cylinder
16	3234-14	1	Screw-HHF
17	3296-42	1	Nut-Lock, NI
18	3256-16	1	Washer-Flat
19	3256-26	2	Washer-Flat
20	115-1273	1	Bearing-Rod End
21	48-7740	1	Screw
22	72-4310	1	Switch-Ball
23	237-42	1	O-Ring
24	103-0384	1	Spacer



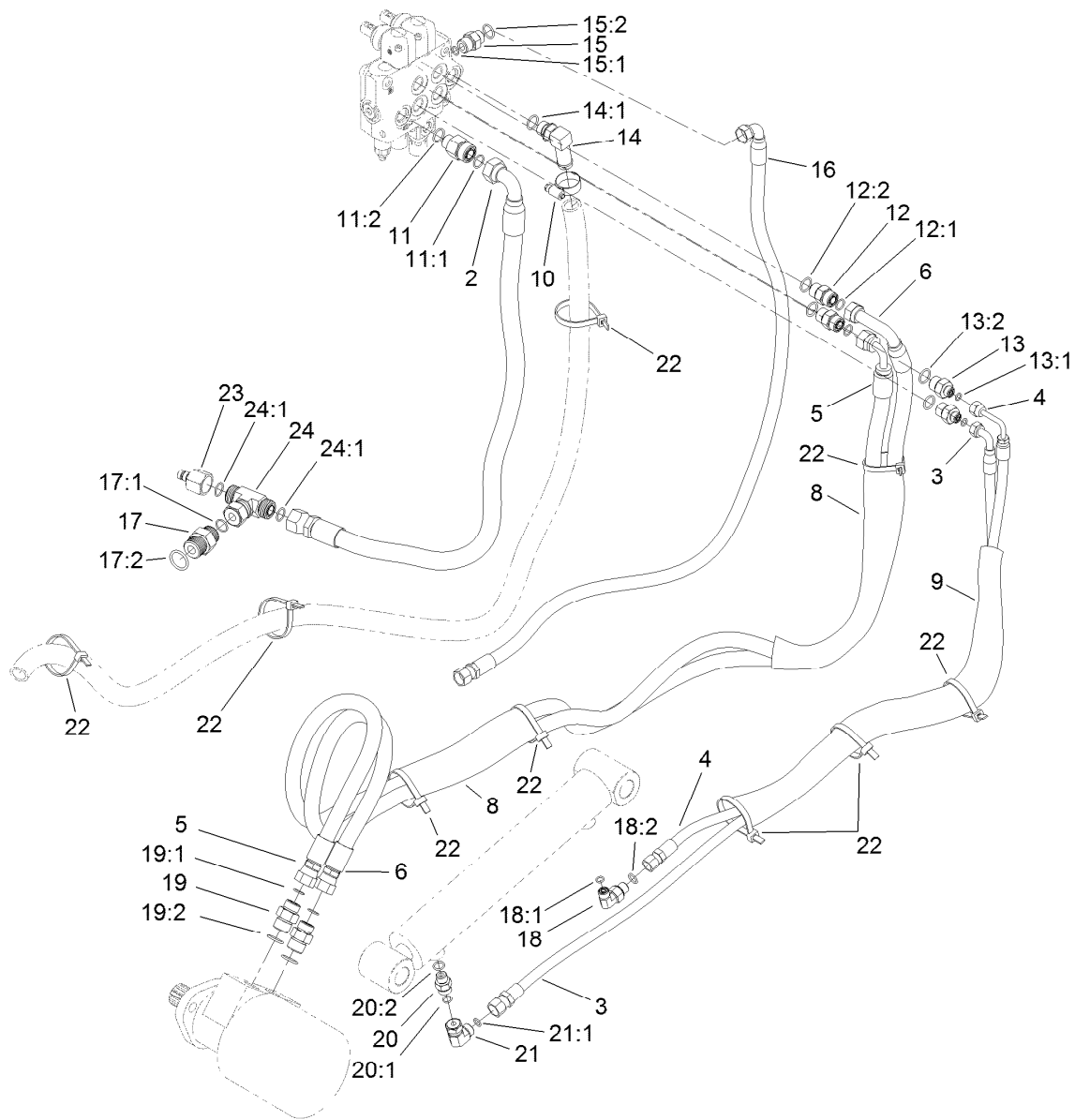
## 2-Spool Valve Assembly No. 115-4062

<i>Ref.</i>	<i>Part Number</i>	<i>Qty.</i>	<i>Description</i>
1	106-7719	4	Seal-Valve
3	100-8805	1	Valve-Relief
4	115-4084	1	Spool-Valve
5	106-7572	1	Spool
6	100-7229	2	Lever Kit
7	115-4092	1	Spring Return Kit
8	115-4093	1	Switch Spring Return Kit
9	115-4097	1	Seal-Return
10	115-4094	1	Spacer-Square
11	115-4089	1	Spacer-Spring Return
12	115-4088	1	Gasket-Return



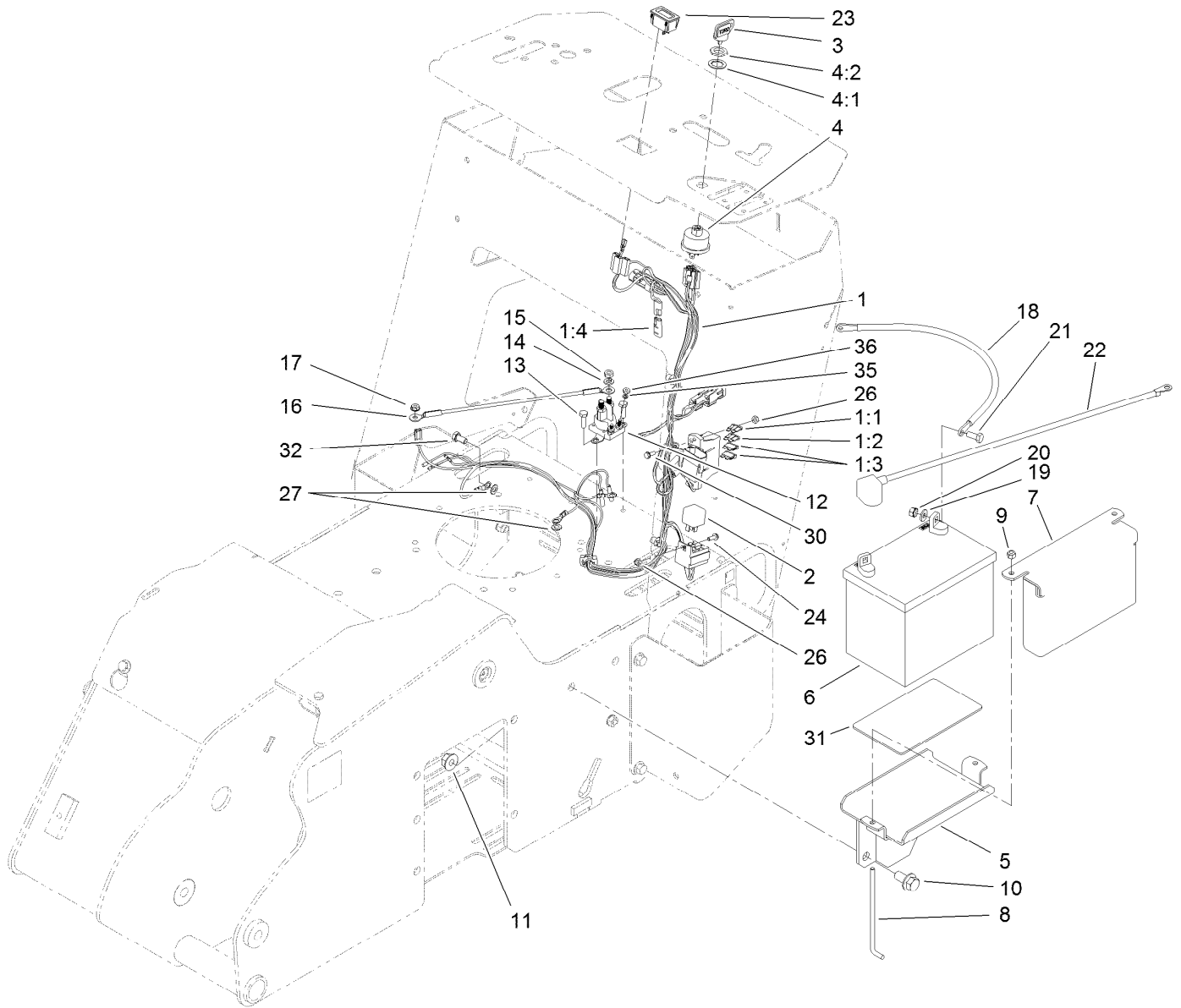
## Oil Cooler Assembly

<i>Ref.</i>	<i>Part Number</i>	<i>Qty.</i>	<i>Description</i>	<i>Ref.</i>	<i>Part Number</i>	<i>Qty.</i>	<i>Description</i>
1	117-6296-01	1	Mount-Cooler	10	3296-42	12	Nut-Lock, NI
2	104-2809	1	Fan	11	322-11	4	Screw-HH
3	321-3	8	Screw-HH	12	115-1207	1	Hose-Return
4	98-4695	4	Spacer	13	2412-129	2	Clamp-Hose
5	105-0352	1	Exchanger-Heat	14	3334-945	1	Tie-Cable
6	105-3943	8	Clamp-Cooler, Oil	16	117-3966	1	Hose-Cooler
7	3296-29	4	Nut-Lock, NI	18	87-8170	2	Fitting
8	32104-95	4	Screw-HWH	18:1	237-80	1	O-Ring
9	119-4633-01	1	Cover-Cooler				



## Hydraulic Routing Assembly

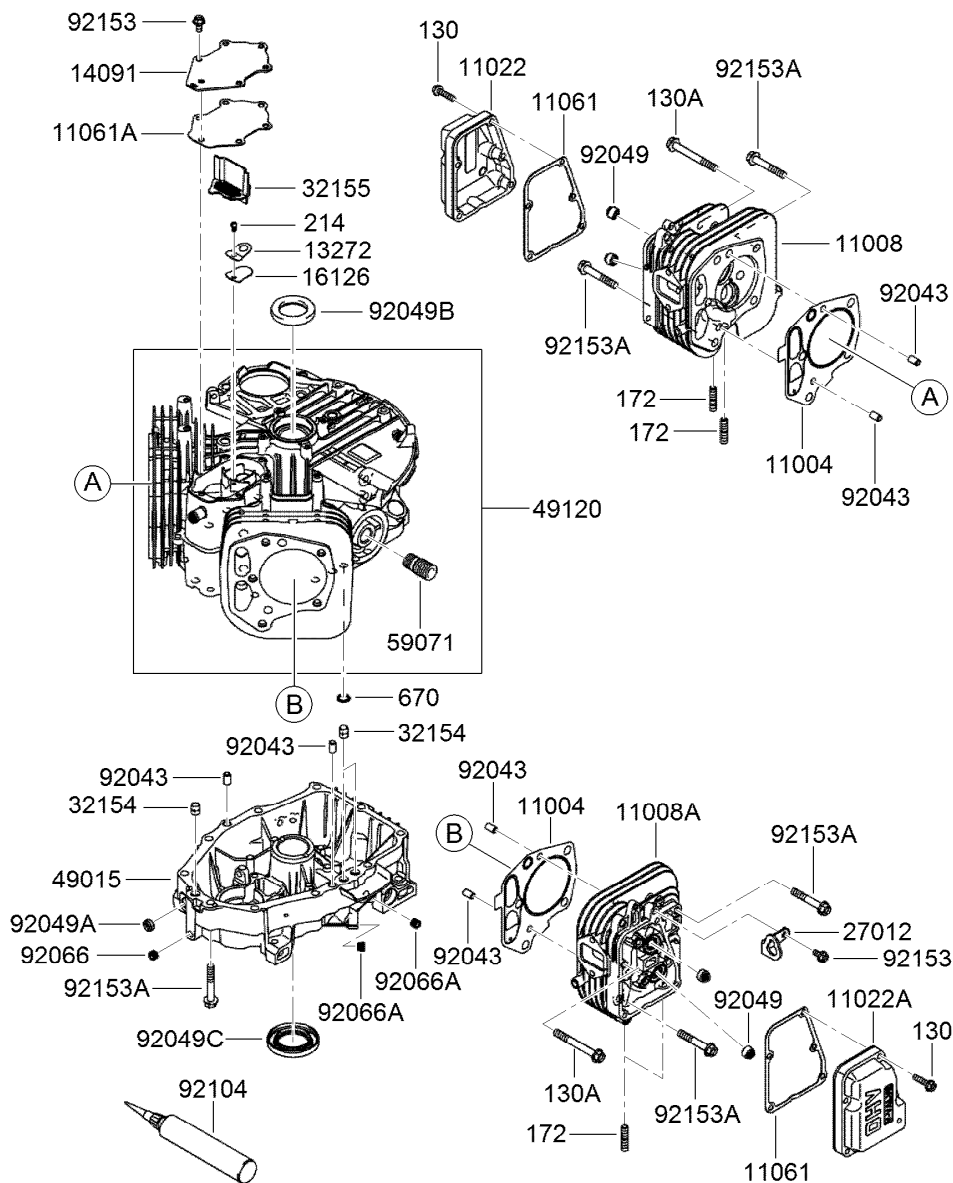
Ref.	Part Number	Qty.	Description	Ref.	Part Number	Qty.	Description
2	114-3043	1	Hose ASM	15:2	237-79	1	O-Ring
3	114-3044	1	Hose ASM	16	117-4038	1	Hose ASM
4	114-3045	1	Hose ASM	17	340-8	1	Adapter
5	114-3046	1	Hose ASM	17:1	237-65	1	O-Ring
6	114-3085	1	HYD Hose ASM	17:2	237-81	1	O-Ring
8	99-5648	2	Sleeve-Protective	18	340-82	1	Adapter
9	115-4064	1	Sleeve-Protective	18:1	237-42	1	O-Ring
10	2412-129	2	Clamp-Hose	18:2	237-21	1	O-Ring
11	340-155	1	Fitting-HYD, Straight	19	340-6	2	Fitting-HYD, Straight
11:1	237-79	1	O-Ring	19:1	237-30	1	O-Ring
11:2	237-151	1	O-Ring	19:2	237-80	1	O-Ring
12	340-4	2	Fitting-HYD, Straight	20	115-4081	1	Valve-Check
12:1	237-30	1	O-Ring	20:1	237-42	1	O-Ring
12:2	237-79	1	O-Ring	20:2	237-22	1	O-Ring
13	340-133	2	Adapter	21	340-159	1	Fitting-HYD, 90 DEG
13:1	237-79	1	O-Ring	21:1	237-22	2	O-Ring
13:2	237-21	1	O-Ring	22	3334-945	9	Tie-Cable
14	353-954	1	Adapter	23	86-5860	1	Nipple
14:1	237-79	1	O-Ring	24	340-167	1	Fitting-HYD, Tee
15	340-3	1	Adapter	24:1	237-65	2	O-Ring
15:1	237-22	1	O-Ring				



## Electrical Assembly

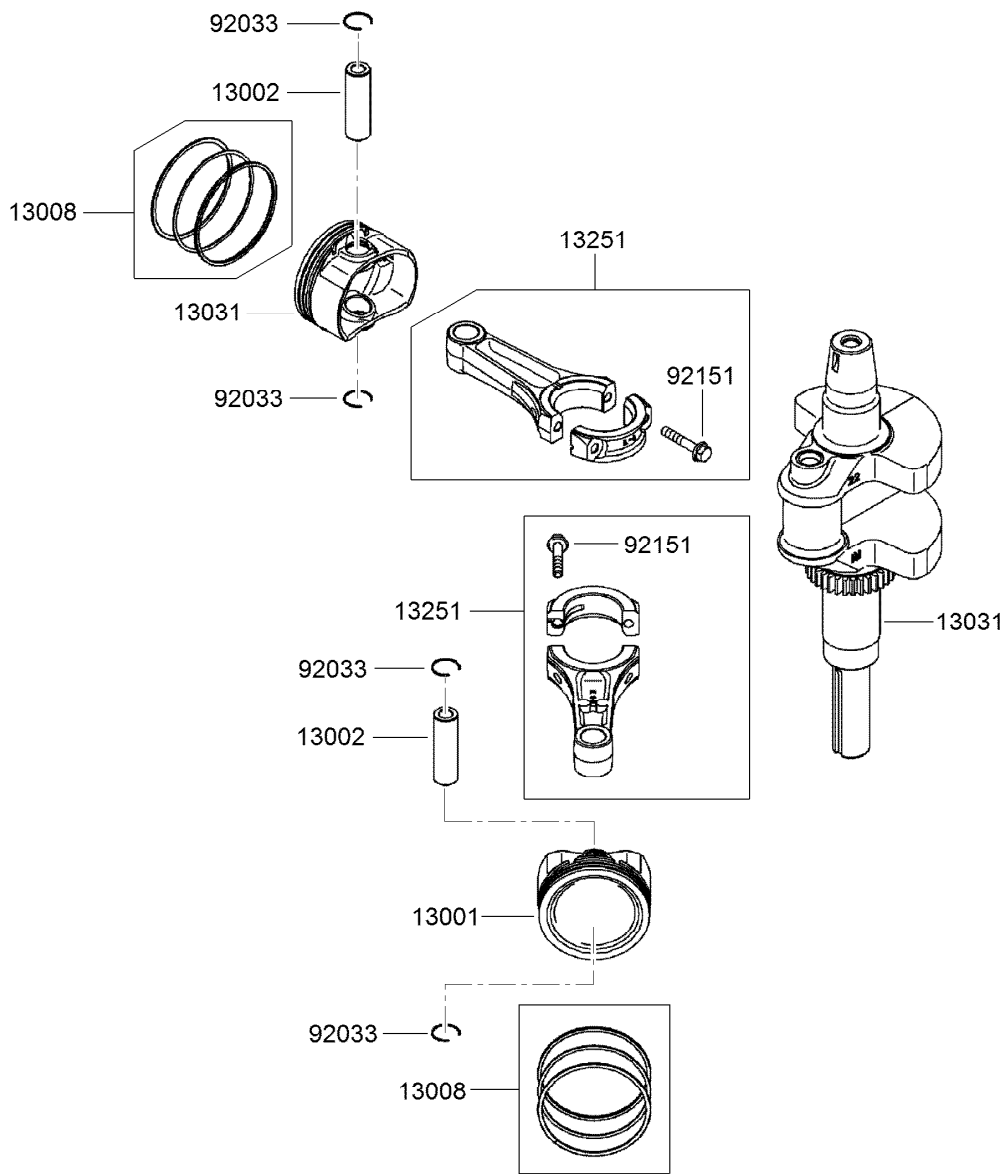
Ref.	Part Number	Qty.	Description	Ref.	Part Number	Qty.	Description
1	117-6289	1	Harness-Wire	14	3253-4	2	Washer-Lock
1:1	109103	1	Fuse-Blade, 30 Amp	15	3220-2	2	Nut-Jam
1:2	109102	1	Fuse-Blade, 25 Amp	16	28-3891	1	Wire-Solenoid/Starter
1:3	109355	2	Fuse-Blade, 15 Amp	17	32149-2	1	Nut-Keps
1:4	116-0053	1	Cap-Plug	18	112-9708	1	Cable-Battery, Red
2	98-7249	2	Relay	19	3256-2	2	Washer-Flat
3	63-8360	1	Key-Ignition (W/Shield)	20	32149-1	2	Nut-Keps
4	88-9830	1	Key Switch ASM	21	322-3	2	Screw-HH
4:1	3254-5	1	Washer-Tooth, Internal	22	117-6422	1	Cable-Battery, Black
4:2	218-461	1	Nut-HH	23	120-2244	1	Hourmeter
5	105-3150-01	1	Tray-Battery	24	32105-23	1	Screw
6	104-8162	1	Battery	26	3296-2	2	Nut-Lock, NI
7	115-6621-03	1	Plate-Hold Down, Battery	27	3255-8	1	Washer-Lock
8	104-8567	2	Holdown-Battery	30	32105-13	1	Screw-HWH
9	3296-42	2	Nut-Lock, NI	31	62-4300	1	Pad-Skid, Anti
10	3234-6	2	Screw-HHF	32	33114-016	1	Screw-HH
11	32128-49	2	Nut-HHF	35	3253-17	2	Washer-Lock
12	117-1197	1	Solenoid	36	3219-14	2	Nut-Hex
13	321-4	2	Screw-HH				





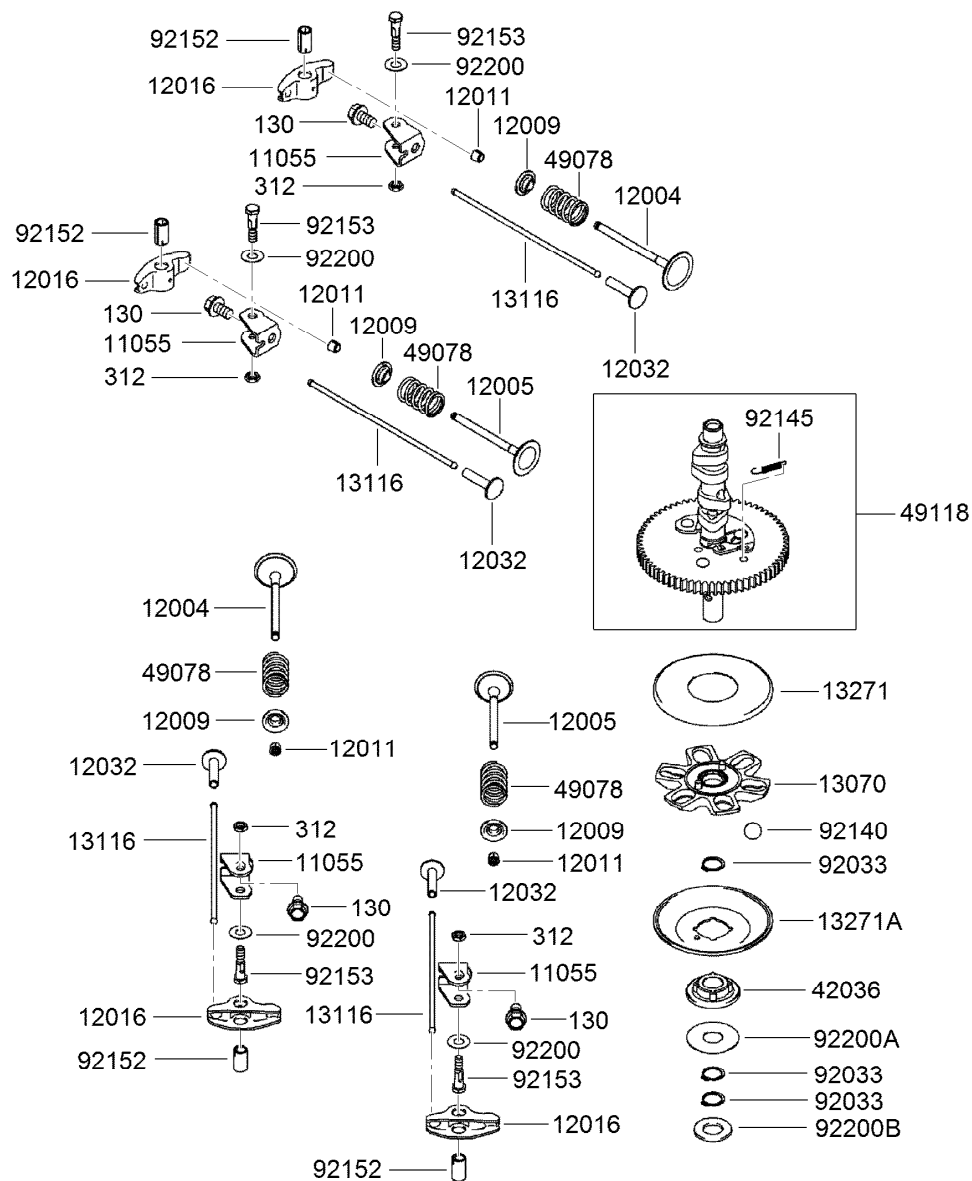
## Cylinder and Crankcase Assembly

Ref.	Part Number	Qty.	Description	Ref.	Part Number	Qty.	Description
130	93-8548	10	Bolt-Flanged (6X25)	32154	119-5811	3	Pipe
130A	120-7406	6	Bolt-Flanged (8X70)	32155	119-5812	1	Pipe-Breather
172	114-8658	4	Bolt-Stud (8X18)	49015	120-7481	1	Cover-Crankcase
214	115-6422	1	Screw-Pan (4X8)	49120	120-7482	1	Crankcase ASM
670	95-9771	2	O-Ring (11Mm)	59071	95-9715	1	Joint
11004	120-7400	2	Gasket-Head	92043	KW10694	6	Pin
11008	120-7478	1	Cylinder Head No.1 ASM	92049	114-8650	4	Seal-Oil, Rv C2 (6X11X10.2)
11008A	120-7479	1	Cylinder Head No.2 ASM	92049A	119-5816	1	Seal-Oil, So (8X14X5) Hs
11022	119-5803	1	Case-Rocker (No.1)	92049B	119-5817	1	Seal-Oil, Sd (35X48X8) R Hs
11022A	119-5804	1	Case-Rocker (No.2)	92049C	119-5818	1	Seal-Oil (38X62X8) Mtclv
11061	119-5805	2	Gasket-Case, Rocker	92066	119-5819	1	Plug
11061A	119-5806	1	Gasket-Breather	92066A	119-5820	2	Plug
13272	119-5808	1	Plate-Breather	92104	119-5821	1	Gasket-Liquid (Tb1217H)
14091	119-5809	1	Cover-Breather	92153	114-8655	7	Bolt (6X12)
16126	119-5810	1	Valve-Breather	92153A	114-8656	14	Bolt (8X50)
27012	120-7480	1	Hook-Lift				



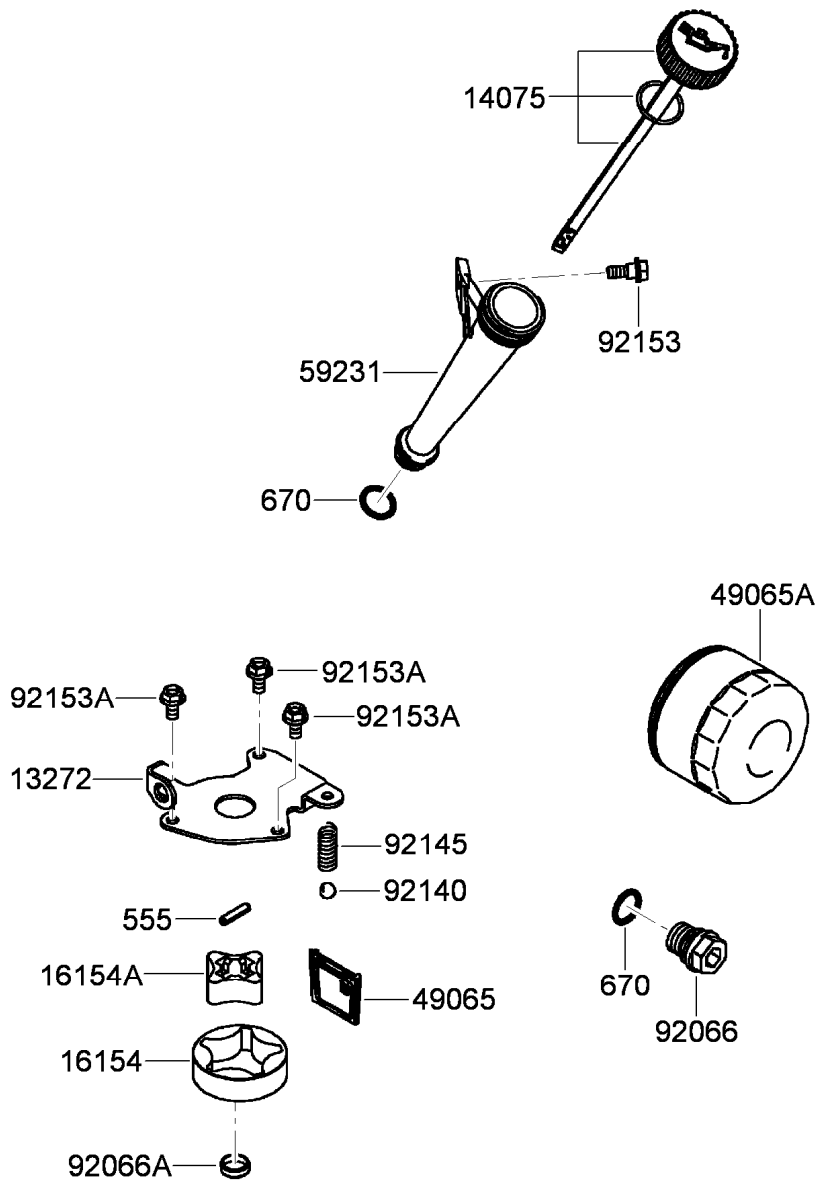
## Piston and Crankshaft Assembly

<i>Ref.</i>	<i>Part Number</i>	<i>Qty.</i>	<i>Description</i>
13001	120-7483	2	Piston-Engine
13002	108-2517	2	Pin-Piston
13008	120-7484	2	Piston Ring Set
13031	120-7485	1	Crankshaft ASM
13251	120-7412	2	Connecting Rod ASM
92033	114-8665	4	Ring-Snap
92151	115-6565	4	Bolt (6X35)



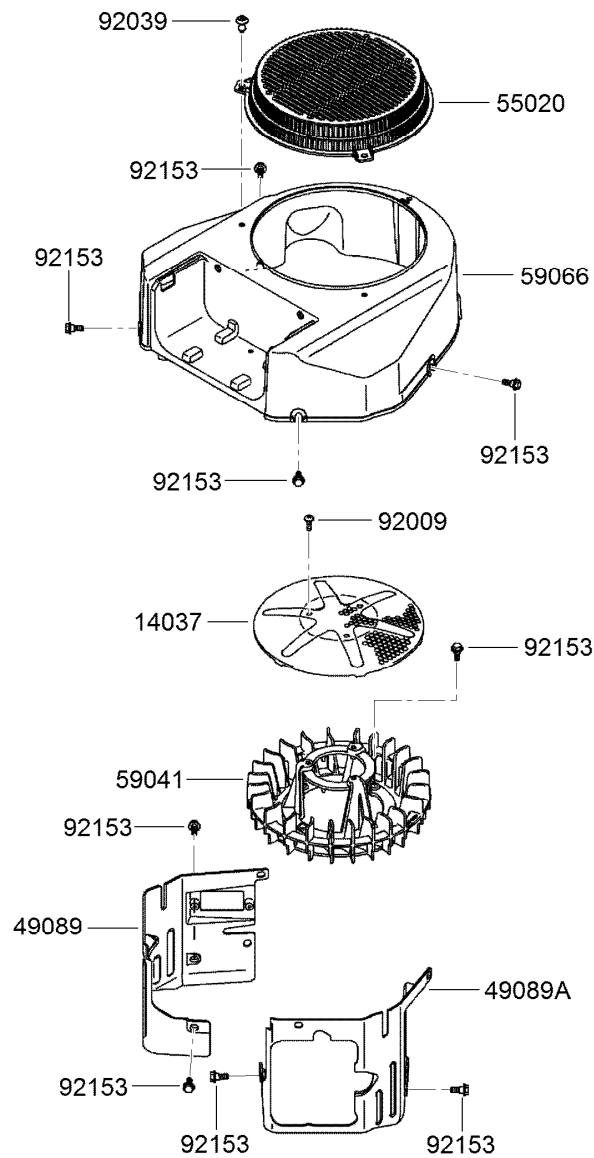
## Valve and Camshaft Assembly

Ref.	Part Number	Qty.	Description	Ref.	Part Number	Qty.	Description
130	119-5845	4	Bolt-Flanged (8X14)	13271A	114-8672	1	Plate-Governor
312	119-5846	4	Nut-Hex (6Mm)	42036	114-8673	1	Sleeve
11055	119-5832	4	Bracket	49078	119-5838	4	Spring-Valve, Engine (In)
12004	120-7413	2	Valve-Intake	49118	120-7417	1	Camshaft ASM
12005	120-7414	2	Valve-Exhaust	92033	114-8675	3	Ring-Snap
12009	108-2525	4	Retainer-Spring, Valve	92140	114-8676	6	Ball
12011	95-9744	8	Collet	92145	114-8677	1	Spring
12016	119-5835	4	Arm-Rocker	92152	119-5840	4	Collar
12032	108-2527	4	Tappet	92153	119-5841	4	Bolt (6X29.5)
13070	119-5836	1	Guide-Governor	92200	119-5842	4	Washer (8.1X18X0.5)
13116	120-7415	4	Rod-Push	92200A	119-5843	1	Washer (16X42X0.91)
13271	114-8671	1	Plate	92200B	119-5844	1	Washer (16.3X30X2.28)



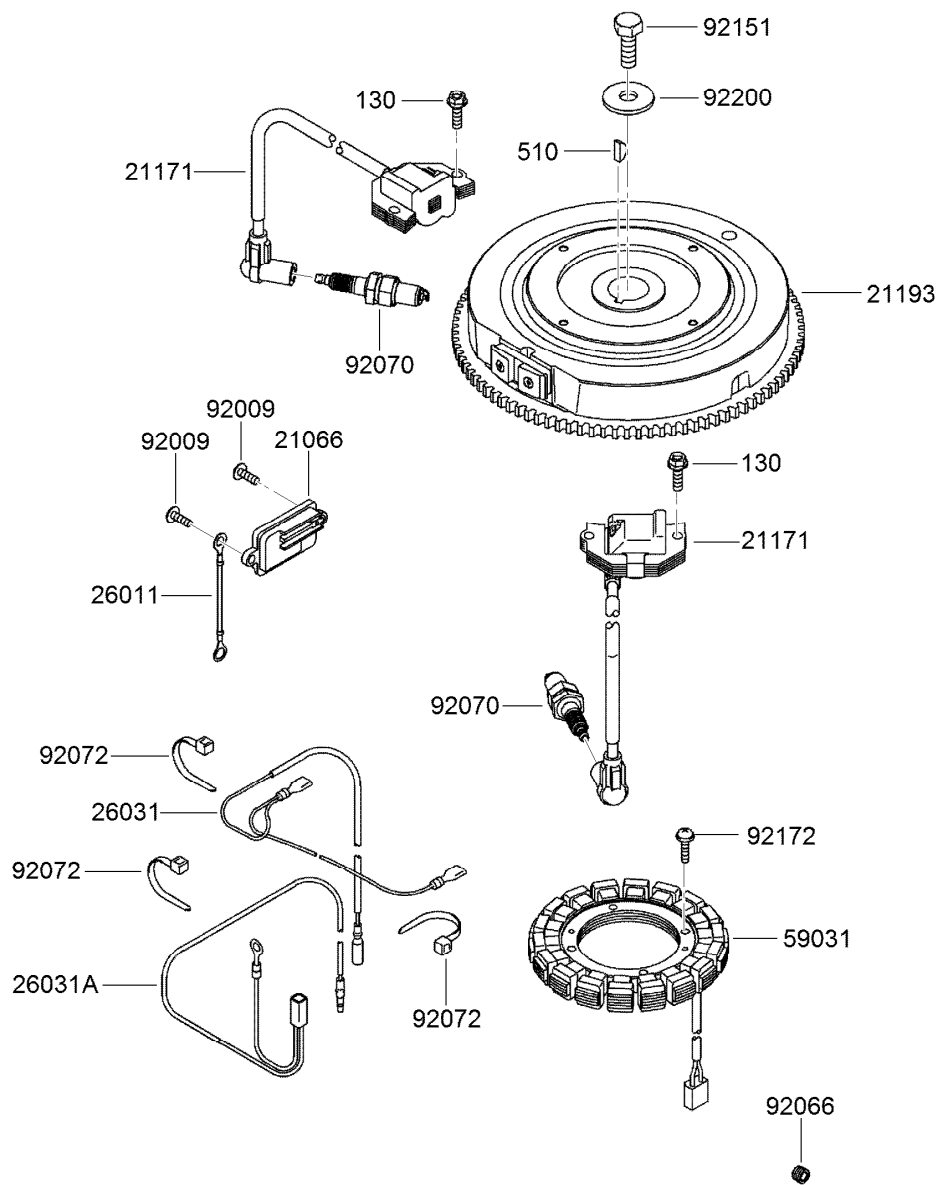
## Lubrication Equipment Assembly

Ref.	Part Number	Qty.	Description
555	119-5859	1	Pin-Spring (4X20)
670	1-413506	2	Discontinued
13272	119-5847	1	Plate-Rotor
14075	119-5848	1	Oil Gauge Cap ASM
16154	119-5849	1	Rotor-Pump, Outer
16154A	119-5850	1	Rotor-Pump, Inner
49065	119-5851	1	Filter-Oil
49065A	119-5852	1	Filter-Oil
59231	119-5853	1	Tube-Filler, Oil
92066	119-5854	1	Plug
92066A	119-5855	1	Plug
92140	119-5856	1	Ball
92145	119-5857	1	Spring
92153	114-8697	1	Bolt
92153A	115-6419	3	Bolt (6X12)



## Cooling Equipment Assembly

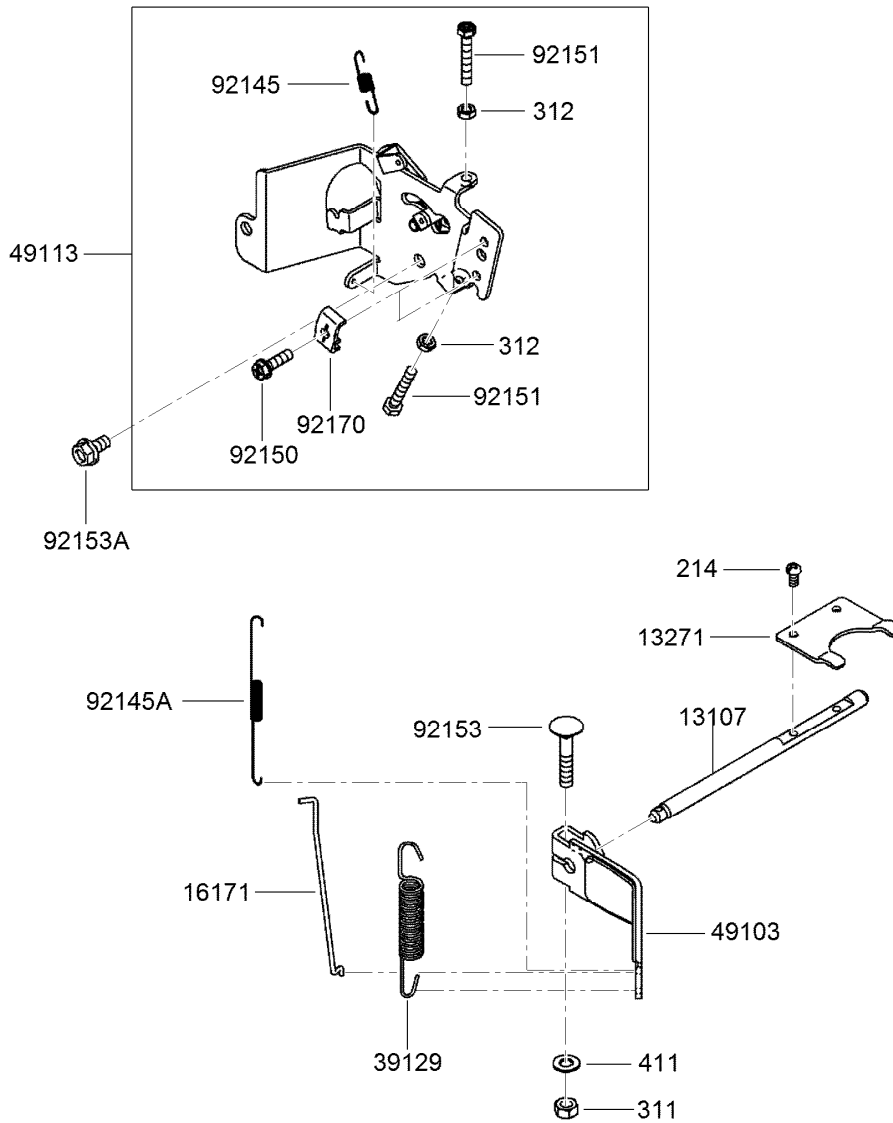
<i>Ref.</i>	<i>Part Number</i>	<i>Qty.</i>	<i>Description</i>
14037	120-7486	1	Screen
49089	120-7420	1	Shroud-Engine
49089A	120-7421	1	Shroud-Engine
55020	120-7487	1	Guard-Screen
59041	120-7488	1	Fan
59066	120-7489	1	Housing-Fan
92009	119-5879	3	Screw
92039	120-7490	3	Rivet-Guard
92153	120-7424	12	Bolt



## Electric Equipment Assembly

Ref.	Part Number	Qty.	Description
130	95-9893	4	Bolt-Flanged (6X20)
510	KW10163	1	Key-Woodruff
21066	120-7356	1	Regulator-Voltage
21171	119-5872	2	Ignition Coil ASM
21193	120-7491	1	Flywheel ASM
26011	120-7492	1	Wire-Lead (L=95)
26031	119-5876	1	Harness
26031A	120-7493	1	Harness

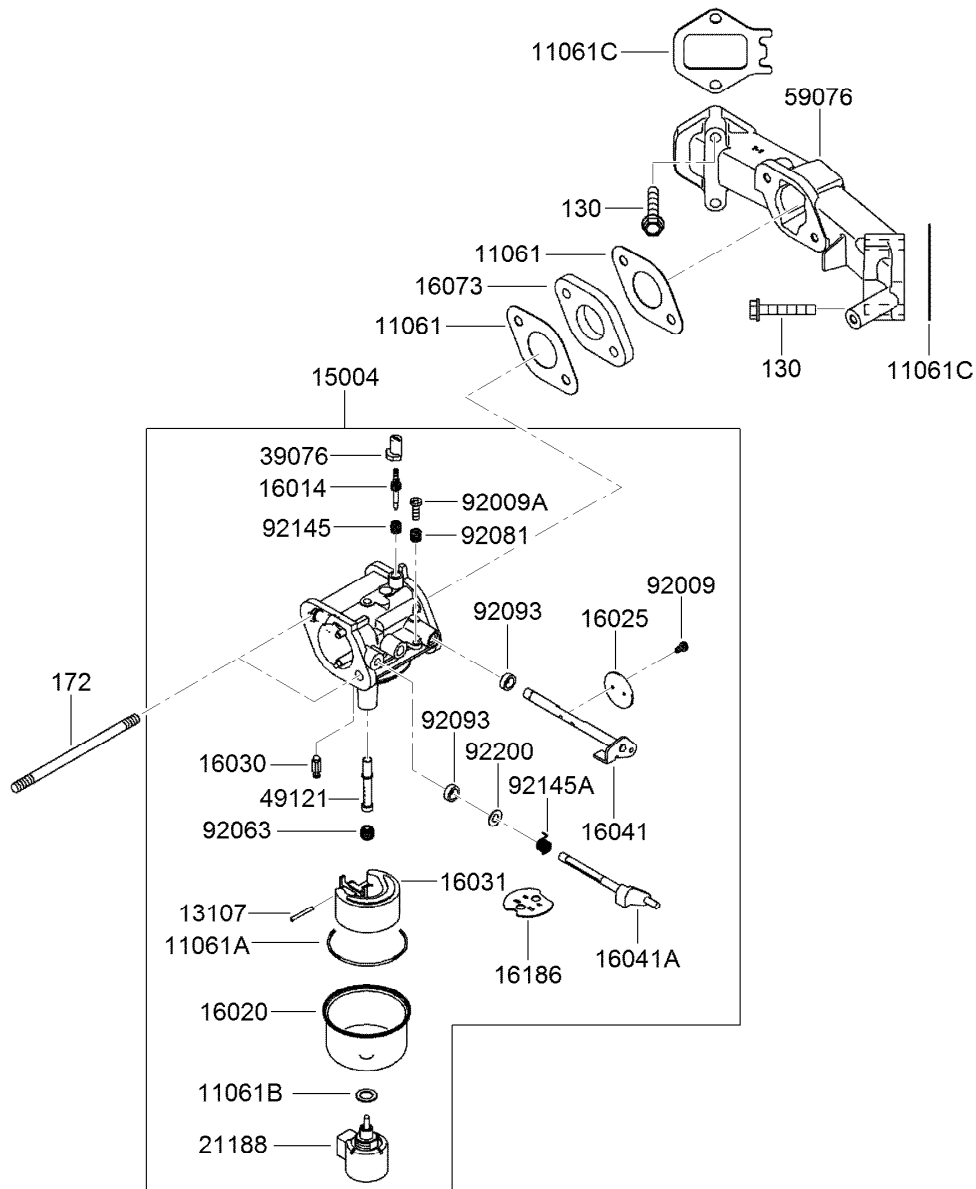
Ref.	Part Number	Qty.	Description
59031	120-7494	1	Coil-Charging
92009	119-5879	2	Screw
92066	119-5820	1	Plug
92070	92-2153	2	Spark Plug
92072	115-6585	3	Band
92151	115-6408	1	Bolt (12X30)
92172	115-4030	4	Screw (5X20)
92200	115-4031	1	Washer (12.2X46X3)



## Control Equipment Assembly

<i>Ref.</i>	<i>Part Number</i>	<i>Qty.</i>	<i>Description</i>
214	115-6422	2	Screw-Pan (4X8)
311	114-8698	1	Nut-Hex (6Mm)
312	119-5894	2	Nut-Hex (5Mm)
411	115-6423	1	Washer-Plain (6Mm)
13107	120-7428	1	Shaft
13271	119-5883	1	Plate
16171	120-7495	1	Link
39129	120-7496	1	Spring-Governor
49103	120-7431	1	Arm-Governor

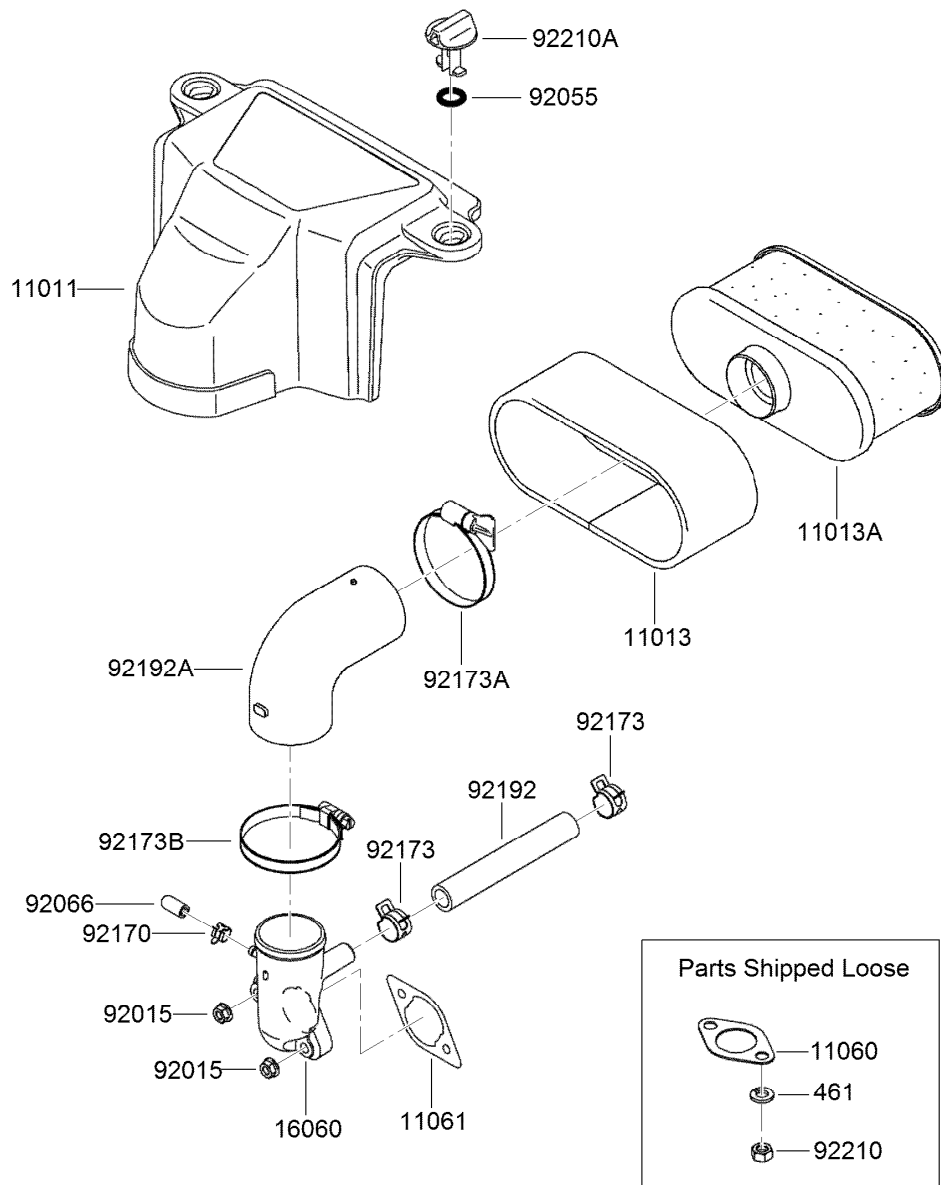
<i>Ref.</i>	<i>Part Number</i>	<i>Qty.</i>	<i>Description</i>
49113	120-7497	1	Control Panel ASM
92145	120-7498	1	Spring
92145A	119-5889	1	Spring
92150	95-9853	2	Bolt (5X18)
92151	119-5891	2	Bolt (5X30)
92153	115-6420	1	Bolt (6X35)
92153A	114-8655	1	Bolt (6X12)
92170	115-6421	2	Clamp



## Carburetor Assembly

Ref.	Part Number	Qty.	Description	Ref.	Part Number	Qty.	Description
130	115-6591	4	Bolt-Flanged (6X35)	16073	115-6594	1	Insulator
172	120-7446	2	Bolt-Stud (6X95)	16186	120-7438	1	Choke Valve ASM
11061	115-6424	2	Gasket-Insulator	21188	115-6597	1	Solenoid
11061A	115-6425	1	Gasket-Chamber	39076	108-2593	1	Limiter
11061B	108-2580	1	Gasket-Screw	49121	120-7500	1	Nozzle-Main
11061C	120-7433	2	Gasket-Manifold	59076	120-7440	1	Manifold-Intake
13107	115-6427	1	Shaft	92009	108-2595	2	Screw
15004	120-7499	1	Carburetor ASM	92009A	108-2596	1	Screw
16014	120-7436	1	Screw-Air, Pilot	92063	120-7443	1	Jet-Main, No.102
16020	115-6430	1	Chamber-Float	92081	108-2598	1	Spring
16025	115-6431	2	Valve-Throttle	92093	108-2599	2	Seal
16030	115-6432	1	Valve-Float	92145	108-2600	1	Spring
16031	115-6433	1	Float	92145A	120-7444	1	Spring
16041	115-6435	1	Shaft-Throttle, Carburetor	92200	120-7445	1	Washer (9.8X5.5X1.0)
16041A	120-7437	1	Shaft-Carburetor, Choke				

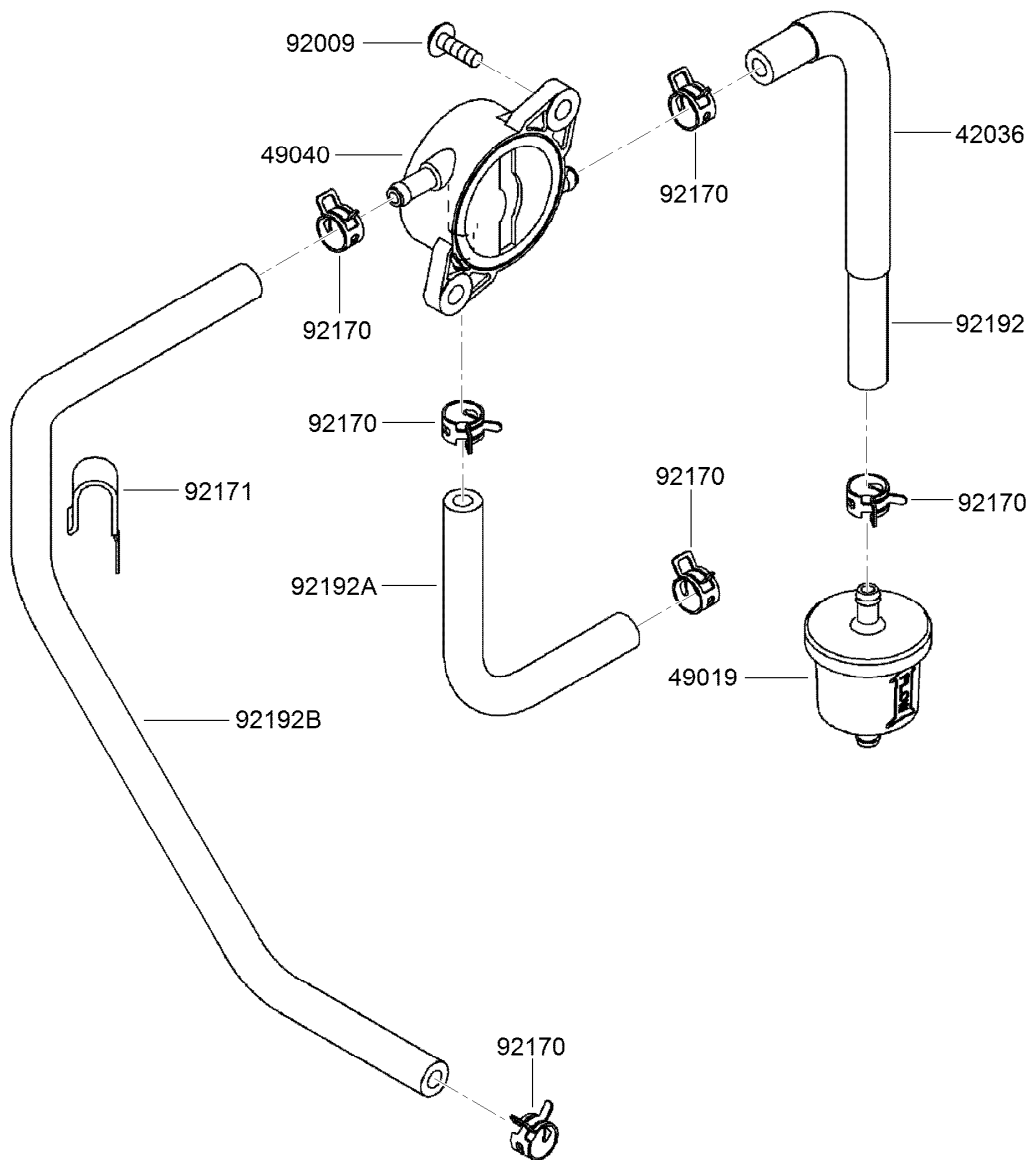




## Air Filter and Muffler Assembly

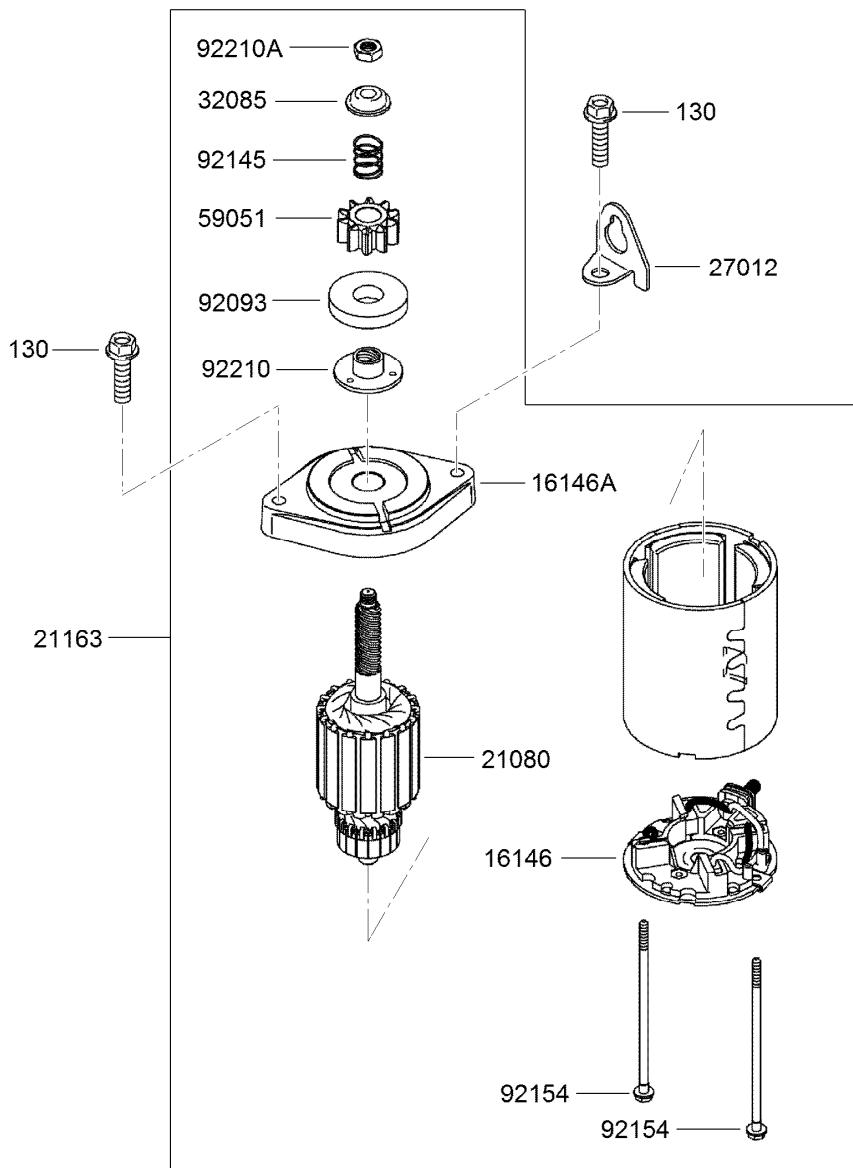
<i>Ref.</i>	<i>Part Number</i>	<i>Qty.</i>	<i>Description</i>
461	119-5962	4	Washer-Spring (8Mm)
11011	120-7477	1	Case-Filter, Air
11013	120-7501	1	Element-Filter, Air
11013A	120-7502	1	Element-Filter, Air
11060	119-5948	2	Gasket-Muffler
11061	115-6426	1	Gasket-Cleaner, Air
16060	120-7450	1	Pipe-Intake
92015	119-5954	2	Nut
92055	120-7451	2	O-Ring

<i>Ref.</i>	<i>Part Number</i>	<i>Qty.</i>	<i>Description</i>
92066	120-7452	1	Plug
92170	120-7453	1	Clamp
92173	119-5956	2	Clamp
92173A	120-7454	1	Clamp
92173B	120-7455	1	Clamp
92192	119-5957	1	Tube (12.6X18.6X118)
92192A	120-7503	1	Tube-A/C
92210	119-5959	4	Nut (M8)
92210A	120-7457	2	Nut



## Fuel Pump and Filter Assembly

Ref.	Part Number	Qty.	Description
42036	119-5963	1	Sleeve
49019	121-4570	1	Filter-Fuel
49040	119-5965	1	Pump-Fuel
92009	119-5879	2	Screw
92170	119-5967	6	Clamp
92171	119-5968	1	Clamp
92192	119-5969	1	Tube (6.35X12.7X185)
92192A	119-5970	1	Tube (6.4X12.7X150)
92192B	120-7516	1	Tube (6.35X12.7X360)



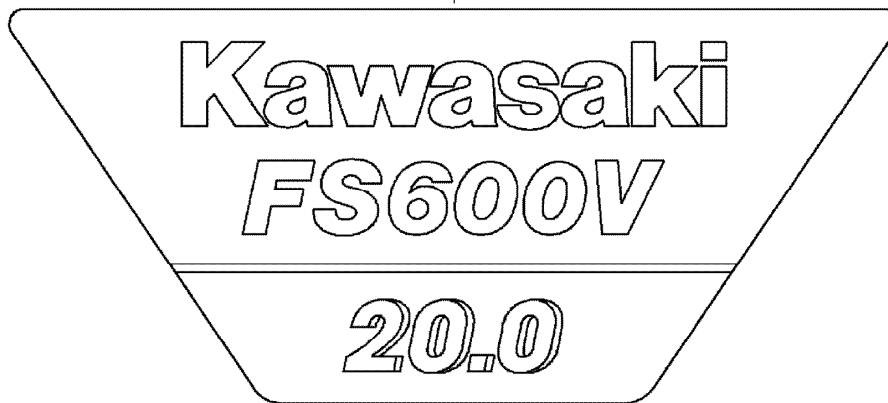
## Starter Assembly

<i>Ref.</i>	<i>Part Number</i>	<i>Qty.</i>	<i>Description</i>
130	120-7515	2	Bolt-Flanged (8X30)
16146	120-7504	1	Cover ASM
16146A	120-7505	1	Cover ASM
21080	120-7506	1	Armature
21163	120-7507	1	Electric Starter ASM
27012	119-5983	1	Hook
32085	120-7508	1	Stopper
59051	120-7509	1	Gear-Spur
92093	120-7510	1	Seal
92145	120-7511	1	Spring
92154	120-7512	2	Bolt
92210	120-7513	1	Nut
92210A	120-7514	1	Nut

56070



56080



## Label Set

<i>Ref.</i>	<i>Part Number</i>	<i>Qty.</i>	<i>Description</i>
56070	108-2625	1	Label-Warning
56080	120-7517	1	Label-Brand

# Attachments and Accessories

## For 22973 TRX-20 Trencher

<b>Product Name</b>	<b>Model/Part</b>
8in Chain Conversion Kit for 36in Soil Chain .....	117-3480
Crumber Kit .....	22477
24in X 4in Soil Chain .....	22480
24in X 4in Combination Chain .....	22481
24in X 4in Rock Tooth Chain .....	22482
24in X 6in Soil Chain .....	22483
24in X 6in Combination Chain .....	22484
24in X 6in Rock Tooth Chain .....	22485
36in X 4in Soil Chain .....	22486
36in X 4in Combination Chain .....	22487
36in X 4in Rock Tooth Chain .....	22488
36in X 6in Rock Tooth Chain .....	22489
36in X 6in Soil Chain .....	22490
36in X 6in Combination Chain .....	22491
48in x 4in Soil Chain .....	22492
48in x 4in Combination Chain .....	22493
48in x 6in Soil Chain .....	22494
48in x 6in Combination Chain .....	22495
24in X 4in Bullet Chain .....	22496
24in X 6in Bullet Chain .....	22497
36in X 4in Bullet Chain .....	22498
36in X 6in Bullet Chain .....	22499
24in Trencher Boom .....	22975
36in Trencher Boom .....	22976
48in Trencher Boom .....	22977
Bore Drive Attachment .....	22978
Backfill Blade .....	22980
Spark Arrestor Screen .....	94-8157

**Notes:**

**Notes:**



**Count on it.**