

OPERATION AND PARTS MANUAL



MULTIQUIP

Diamond Back

STREET PRO 1 SERIES
MODEL SP113H18
(HONDA GX390 GASOLINE ENGINE)
MODEL SP15E16
(5 HP ELECTRIC MOTOR)
CONCRETE/ASPHALT SAW

Revision #6 (06/09/08)



THIS MANUAL MUST ACCOMPANY THE EQUIPMENT AT ALL TIMES.

P/N 35100

PARTS FINDER

**Search Website
by Part Number**



**Search Manual
Library For Parts
Manual & Lookup Part
Numbers – Purchase
or Request Quote**

Search Manuals

Enter your information to help us find the right parts manual for your machine.

* Brand:

* Model:

* Serial:

* Part Number:

SEARCH

**Can't Find Part or
Manual? Request Help
by Manufacturer,
Model & Description**

Parts Order Form

Please fill in the following information to help us find the right part for your machine.

Manufacturer:	<input type="text"/>
Model:	<input type="text"/>
Description:	<input type="text"/>
Part Number:	<input type="text"/>
Quantity:	<input type="text"/>
Notes:	<input type="text"/>

Submit

Discount-Equipment.com is your online resource for quality parts & equipment.

Florida: **561-964-4949** Outside Florida TOLL FREE: **877-690-3101**

Need parts?

Click on this link: <http://www.discount-equipment.com/category/5443-parts/> and choose one of the options to help get the right parts and equipment you are looking for. Please have the machine model and serial number available in order to help us get you the correct parts. If you don't find the part on the website or on one of the online manuals, please fill out the request form and one of our experienced staff members will get back to you with a quote for the right part that your machine needs.

We sell worldwide for the brands: Genie, Terex, JLG, MultiQuip, Mikasa, Essick, Whiteman, Mayco, Toro Stone, Diamond Products, Generac Magnum, Airman, Haulotte, Barreto, Power Blanket, Nifty Lift, Atlas Copco, Chicago Pneumatic, Allmand, Miller Curber, Skyjack, Lull, Skytrak, Tsurumi, Husquvarna Target, Stow, Wacker, Sakai, Mi-T-M, Sullair, Basic, Dynapac, MBW, Weber, Bartell, Bennar Newman, Haulotte, Ditch Runner, Menegotti, Morrison, Contec, Buddy, Crown, Edco, Wyco, Bomag, Laymor, EZ Trench, Bil-Jax, F.S. Curtis, Gehl Pavers, Heli, Honda, ICS/PowerGrit, IHI, Partner, Imer, Clipper, MMD, Koshin, Rice, CH&E, General Equipment, Amida, Coleman, NAC, Gradall, Square Shooter, Kent, Stanley, Tamco, Toku, Hatz, Kohler, Robin, Wisconsin, Northrock, Oztec, Toker TK, Rol-Air, APT, Wylie, Ingersoll Rand / Doosan, Innovatech, Con X, Ammann, Mecalac, Makinex, Smith Surface Prep, Small Line, Wanco, Yanmar

 **WARNING** 

CALIFORNIA — Proposition 65 Warning

Engine exhaust and some of its constituents, and some dust created by power sanding, sawing, grinding, drilling and other construction activities contains chemicals known to the State of California to cause cancer, birth defects and other reproductive harm. Some examples of these chemicals are:

- Lead from lead-based paints.
- Crystalline silica from bricks.
- Cement and other masonry products.
- Arsenic and chromium from chemically treated lumber.

Your risk from these exposures varies, depending on how often you do this type of work. To reduce your exposure to these chemicals: **ALWAYS** work in a well ventilated area, and work with approved safety equipment, such as dust masks that are specially designed to filter out microscopic particles.

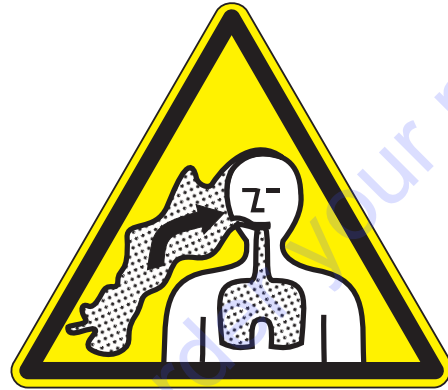
WARNING



SILICOSIS WARNING

Grinding/cutting/drilling of masonry, concrete, metal and other materials with silica in their composition may give off dust or mists containing crystalline silica. Silica is a basic component of sand, quartz, brick clay, granite and numerous other minerals and rocks. Repeated and/or substantial inhalation of airborne crystalline silica can cause serious or fatal respiratory diseases, including silicosis. In addition, California and some other authorities have listed respirable crystalline silica as a substance known to cause cancer. When cutting such materials, always follow the respiratory precautions mentioned above.

WARNING



RESPIRATORY HAZARDS

Grinding/cutting/drilling of masonry, concrete, metal and other materials can generate dust, mists and fumes containing chemicals known to cause serious or fatal injury or illness, such as respiratory disease, cancer, birth defects or other reproductive harm. If you are unfamiliar with the risks associated with the particular process and/or material being cut or the composition of the tool being used, review the material safety data sheet and/or consult your employer, the material manufacturer/supplier, governmental agencies such as OSHA and NIOSH and other sources on hazardous materials. California and some other authorities, for instance, have published lists of substances known to cause cancer, reproductive toxicity, or other harmful effects.

Control dust, mist and fumes at the source where possible. In this regard use good work practices and follow the recommendations of the manufacturers or suppliers, OSHA/NIOSH, and occupational and trade associations. Water should be used for dust suppression when wet cutting is feasible. When the hazards from inhalation of dust, mists and fumes cannot be eliminated, the operator and any bystanders should always wear a respirator approved by NIOSH/MSHA for the materials being used.

MQ STREET PRO 1 SAW — TABLE OF CONTENTS

Proposition 65 Warning	2
Silicosis/Respiratory Warnings	3
Table Of Contents	4
Parts Ordering Procedures	5
Safety Message Alert Symbols	6-7
Rules For Safe Operation	8-10
Specifications (Saw)	11
Specifications (Engine)	12
General Information	13

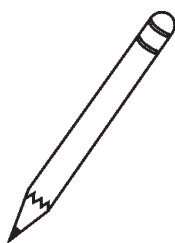
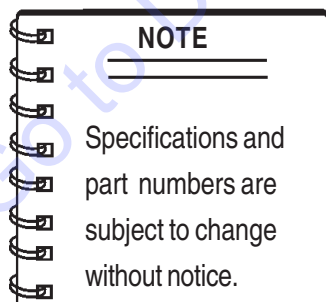
MQ — STREET PRO 1 SAW

Controls & Components	14
Basic Engine	15
Preparation/Pre-Inspection	16-18
Blades	19
Blade Placement	20
Initial Start-Up	21-22
Operation	22
Maintenance	23-24
Troubleshooting (Saw)	25
Troubleshooting (Engine)	26-27
Explanation of Codes in Remarks Column	28
Suggested Spare Parts	29
Nameplate and Decals	30-31
Engine, Belts And Pulleys Assembly	32-33
Electric Motor Assembly	34-35
Undercarriage Assembly	36-37
Blade Assembly & Water System Assembly	38-39
Pointer Assembly	40-41

HONDA GX390K1QWT2/ GX390U1QWT2 ENG.

Air Cleaner Assembly	42-43
Camshaft Assembly	44-45
Carburetor Assembly	46-47
Control Assembly	48-49
Crankcase Cover Assembly	50-51
Crankshaft Assembly	52-53
Cylinder Barrel Assembly	54-55
Cylinder Head Assembly	56-57
Fan Cover Assembly	58-59
Flywheel Assembly	60-61
Fuel Tank Assembly	62-63
Ignition Coil Assembly	64-65
Muffler Assembly	66-67
Piston Assembly	68-69
Recoil Starter Assembly	70-71
Labels	72-73

Terms and Conditions of Sale — Parts	74
--	----



MQ STREET PRO 1 SAW — SAFETY MESSAGE ALERT SYMBOLS

FOR YOUR SAFETY AND THE SAFETY OF OTHERS!

Safety precautions should be followed at all times when operating this equipment. Failure to read and understand the Safety Messages and Operating Instructions could result in injury to yourself and others.

NOTE

This Owner's Manual has been developed to provide complete instructions for the safe and efficient operation of the MULTIQUIP SP 1. For engine maintenance information, please refer to the engine manufacturers instructions for data relative to its safe operation.

Before using this CONCRETE/ASPHALT SAW, ensure that the operating individual has read and understands all instructions in this manual.

SAFETY MESSAGE ALERT SYMBOLS

The three (3) Safety Messages shown below will inform you about potential hazards that could injure you or others. The Safety Messages specifically address the level of exposure to the operator, and are preceded by one of three words: **DANGER**, **WARNING**, or **CAUTION**.



DANGER: You **WILL** be **KILLED** or **SERIOUSLY** injured if you **DO NOT** follow directions.



WARNING: You **CAN** be **KILLED** or **SERIOUSLY** injured if you **DO NOT** follow directions.



CAUTION: You **CAN** be injured if you **DO NOT** follow directions.

Potential hazards associated with SP 1 operation will be referenced with "**Hazard Symbols**" which appear throughout this manual, and will be referenced in conjunction with Safety "**Message Alert Symbols**".

HAZARD SYMBOLS



Lethal Exhaust Gases



Engine exhaust gases contain poisonous carbon monoxide. This gas is colorless and odorless, and can cause death if inhaled. **NEVER** operate this equipment in a confined area or enclosed structure that does not provide ample free flow air.



Guards and Covers In Place



NEVER operate the saw without blade guards and covers in place. Adhere to safety guidelines ANSI (American National Standards Institute), OSHA or other applicable local regulations.



Burn Hazards



Engine components can generate extreme heat. To prevent burns, **DO NOT** touch these areas while the engine is running or immediately after operations. **NEVER** operate the engine with heat shields or heat guards removed.



Rotating Parts



NEVER operate equipment with covers, or guards removed. Keep fingers, **hands**, **hair** and **clothing** away from all moving parts to prevent injury.

MQ STREET PRO 1 SAW — SAFETY MESSAGE ALERT SYMBOLS



Accidental Starting



OFF **ALWAYS** place the engine ON/OFF switch in the **OFF** position, when the saw is not in use.



Respiratory Hazard



ALWAYS wear approved respiratory protection.



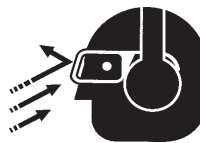
Over Speed Conditions



NEVER tamper with the factory settings of the engine governor or settings. Personal injury and damage to the engine or equipment can result if operating in speed ranges above maximum allowable.



Sight and Hearing hazard



ALWAYS wear approved eye and hearing protection.



Rotating Blade

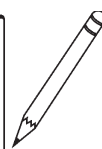
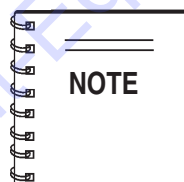


Rotating blade can cut and crush. Keep hands and feet clear.



Equipment Damage Messages

Other important messages are provided throughout this manual to help prevent damage to your concrete saw, other property, or the surrounding environment.



This **concrete/asphalt saw**, other property, or the surrounding environment could be damaged if you do not follow instructions.

MQ STREET PRO 1 SAW — RULES FOR SAFE OPERATION

RULES FOR SAFE OPERATION

CAUTION:



Failure to follow instructions in this manual may lead to serious injury or even death! This equipment is to be operated by trained and qualified personnel only! This equipment is for industrial use only.

The following safety guidelines should always be used when operating the SP 1.

SAFETY

- **DO NOT** operate or service this equipment before reading this entire manual.



- This equipment should not be operated by persons under 18 years of age.

- **NEVER** operate the saw without proper protective clothing, shatterproof glasses, steel-toed boots and other protective devices required by the job.



- **NEVER** operate this equipment when not feeling well due to fatigue, illness or taking medicine.



- **NEVER** operate the saw under the influence of drugs or alcohol.



- **NEVER** use accessories or attachments, which are not recommended by Multiquip for this equipment. Damage to the equipment and/or injury to user may result.

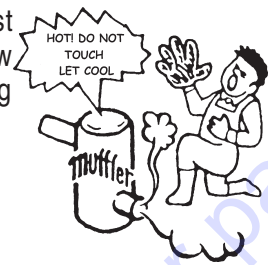
- Manufacturer does not assume responsibility for any accident due to equipment modifications. Unauthorized equipment modification will void all warranties.

- Whenever necessary, replace nameplate, operation and safety decals when they become difficult read.

- **ALWAYS** check the saw for loosened hardware such as nuts and bolts before starting.

Gasoline Powered Saws

- **NEVER** touch the hot exhaust manifold, muffler or cylinder. Allow these parts to cool before servicing the saw.



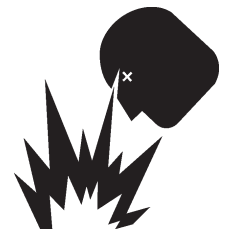
- **High Temperatures** – Allow the engine to cool before adding fuel or performing service and maintenance functions. Contact with **hot!** components can cause serious burns.

- The engine of this saw requires an adequate free flow of cooling air. **NEVER** operate the saw in any enclosed or narrow area where free flow of the air is restricted. If the air flow is restricted it will cause serious damage to the saw's engine and may cause injury to people. Remember the saw's engine gives off **DEADLY** carbon monoxide gas.



- **ALWAYS** refuel in a well-ventilated area, away from sparks and open flames.

- **ALWAYS** use extreme caution when working with **flammable** liquids. When refueling, **STOP** the engine and allow it to cool.



- **NEVER** smoke around or near the machine. Fire or explosion could result from **fuel vapors**, or if fuel is spilled on a **hot!** engine.



- **NEVER** operate the saw in an explosive atmosphere where fumes are present or near combustible materials. An explosion or fire could result causing severe **bodily harm or even death**.

- Topping-off to filler port is dangerous, as it tends to spill fuel.

- **NEVER** use fuel as a cleaning agent.

MQ STREET PRO 1 SAW — RULES FOR SAFE OPERATION

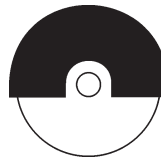
Electric Saws

- **ALWAYS** connect the motor to a power source in compliance with all local electrical codes. This must be performed by a qualified electrician. After this connection is made, it will be necessary to check the rotation of the motor shaft. The shaft rotation should be **counter-clockwise** when viewing the motor from the shaft extension end. If the rotation of the shaft is incorrect make necessary changes for the correct shaft rotation.
- **MAKE CERTAIN** the power cord/extension cord is free from damage and that the grounding circuit is operational.
- **MAKE CERTAIN** the extension cord that you are using is intended to be used in the environment you are using it in. If an extension is used, **NEVER** submerge the connection in water. To reduce the risk of electric shock, always make water-tight connections.
- **MAKE CERTAIN** the "ON/OFF" switch is in the "OFF" position before plugging in the power cord/extension cord to avoid accidental starting.
- Use only the gauge wire and length of cord recommended for the motor size. Refer to the electric cord chart in this manual.
- When cutting, **ALWAYS** be aware of the location of the cord.

General Safety

- **ALWAYS** read, understand, and follow procedures in Operator's Manual before attempting to operate equipment.
- **ALWAYS** be sure the operator is familiar with proper safety precautions and operating techniques before using the saw.
- **NEVER** leave the machine **unattended** while running.
- Block the unit when leaving or when using on a slope.
- **ALWAYS** check to make sure that the operating area is clear before starting the engine.
- Maintain this equipment in a safe operating condition at all times.
- **ALWAYS** stop the engine before servicing, adding fuel and oil.
- **NEVER** run the engine without the air filter. Severe engine damage could occur.
- **ALWAYS** service air cleaner frequently to prevent carburetor malfunction.
- **AVOID** wearing jewelry or loose fitting clothing that may snag on the controls or moving parts, this can cause a serious injury.
- **ALWAYS** keep clear of **rotating** or **moving parts** while the saw is in operation.

- **ALWAYS** store equipment properly when it is not being used. Equipment should be stored in a clean, dry location out of the reach of children.
- **NEVER** use accessories or attachments which are not recommended by the manufacturer for this equipment. Damage to the equipment and/or injury to user may result.



WARNING

- **ALWAYS** check to make sure that the operating area is clear before starting the engine.
- Keep all inexperienced and unauthorized people away from the equipment at all times.

Diamond Blade Safety

- Use appropriate steel centered diamond blades manufactured for use on concrete saws.

WARNING

- **ALWAYS** inspect diamond blades before each use. The blade should exhibit no cracks, dings, or flaws in the steel centered core and/or rim. Center (arbor) hole must be undamaged and true.
- Examine blade flanges for damage, excessive wear and cleanliness before mounting blade. Blade should fit snugly on the shaft and against the inside/outside blade flanges.
- Ensure the blade is marked with an operating speed greater than the blade shaft speed of the saw.
- Only cut the material that is specified by the diamond blade. Read the specifications of the diamond blade to ensure the proper tool has been matched to the material being cut.
- **ALWAYS** keep blade guards in place. Exposure of the diamond blade must not exceed 180 degrees.
- Ensure that the diamond blade does not come into contact with the ground or surface during transportation. **DO NOT** drop the diamond blade on ground or surface.
- The engine governor is designed to permit maximum engine speed in a no-load condition. Speeds that exceed this limit may cause the diamond blade to exceed the maximum safe allowable speed.
- Ensure that the blade is mounted for proper operating direction.



MQ STREET PRO 1 SAW — RULES FOR SAFE OPERATION

Saw Transportation Safety

- Use appropriate lifting equipment to ensure the safe movement of the saw.
- **DO NOT** use the handle bars and/or front pointer as lifting points.
- **NEVER** attempt to tow the untrailerred saw behind a vehicle.
- Do not use on slopes or on extremely unlevel surfaces. An engine tipped to extreme angles may cause oil to gravitate into the cylinder head making the engine start difficult.
- **NEVER** transport the saw with the blade mounted.

EMERGENCIES

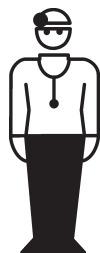
- **ALWAYS** know the location of the nearest **fire extinguisher**.



- **ALWAYS** know the location of the nearest **first aid kit**.



- In emergencies **always** know the location of the nearest phone or **keep a phone on the job site**. Also know the phone numbers of the nearest **ambulance, doctor, and fire department**. This information will be invaluable in the case of an emergency.



Machine Operation And Safety Decals

The SP 1 is equipped with a number of operation and safety decals. Should any of these decals become unreadable, replacements can be obtained from your dealer.



P/N 25215-001
(ELECTRIC MODEL ONLY)



P/N 11247 (ISO Black)
P/N 36099 (ISO Blue)



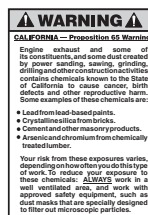
P/N 22122-001



P/N 25250-001



P/N 25249-001



P/N 20525



P/N 25491



P/N 25678



P/N 13118



CONTACT
DISCOUNT-
EQUIPMENT



P/N 23330-001



P/N 11246
(Sheet-Intl. Stds)

Figure 1. SP 1 Decals

MQ STREET PRO 1 SAW — SPECIFICATIONS (SAW)

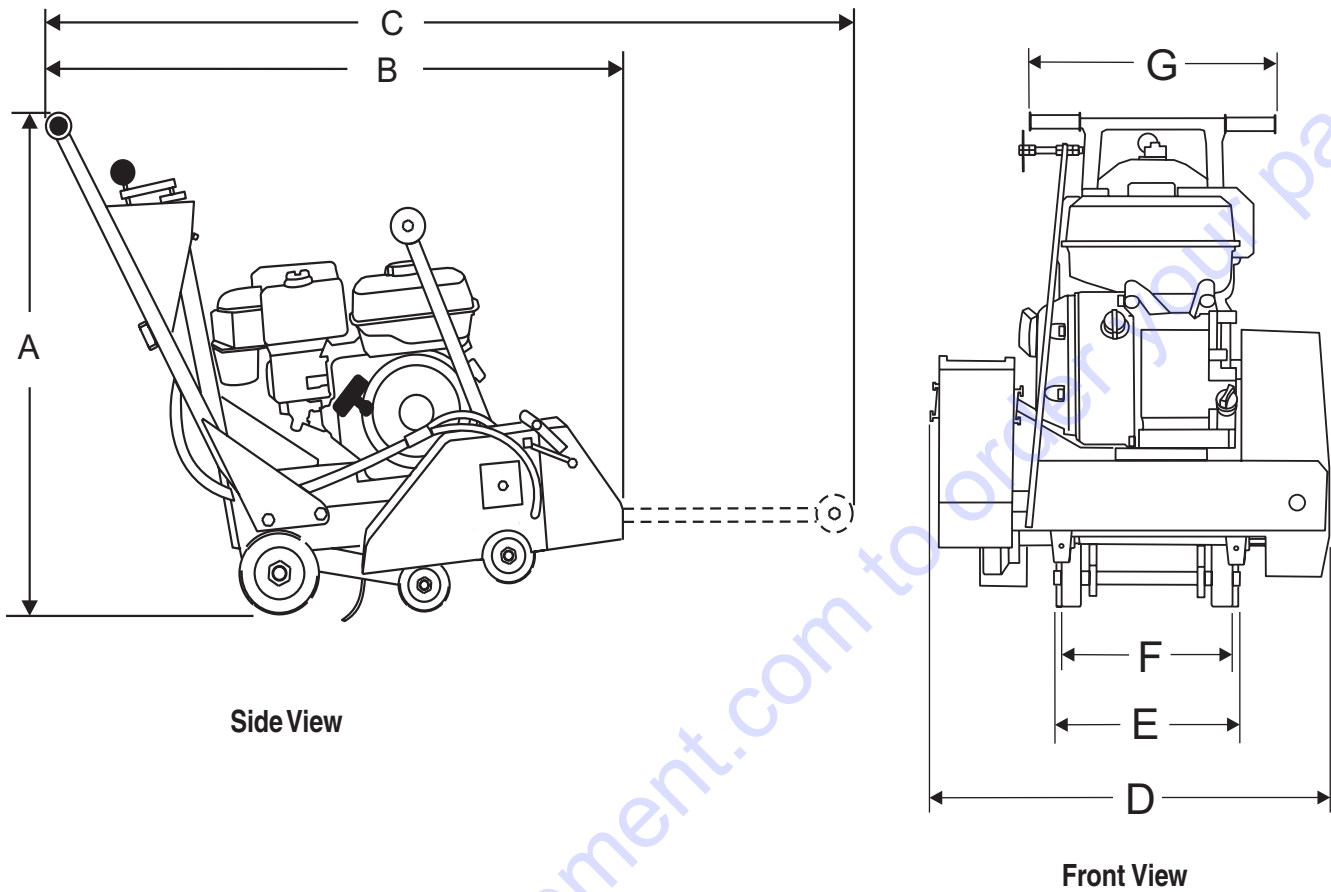


Figure 2. SP 1 Dimensions

Table 1. SP 1 Specifications

REFERENCE LETTER	DESCRIPTION	DIMENSION (cm)
A	Max Height	37.0 In. (94 cm)
B	Max Length (Front Pointer Raised)	32.0 In. (80 cm)
C	Max Length (Front Pointer Lowered)	54.5 In. (138 cm)
D	Max Width	21.5 In. (55 cm)
E	Rear Wheel Base	17.0 In. (40 cm)
F	Front Wheel Base	10.0 In. (25.4 cm)
G	Handle Bar Width	21.5 In. (55 cm)
		WEIGHT (KG)
	SP 1, 13 HP HONDA ENGINE	214 Lb. (97.0 K.g)

MQ STREET PRO 1 SAW — SPECIFICATIONS (ENGINE)

Table 2. Specifications (Engine)

Engine	Model	HONDA GX390K1QWT2/GX390U1QWT2
	Type	Air-cooled 4 stroke, Single Cylinder, OHV, Gasoline Engine
	Bore X Stroke	3.5 in. X 2.5 in. (88 mm x 64 mm)
	Displacement	23.7 cu-in. (389 cc)
	Max Output	13.0 H.P./3600 R.P.M.
	Fuel Tank Capacity	Approx. 1.72 U.S. Gallons (6.5 Liters)
	Fuel	Unleaded Automobile Gasoline 86 Octane or higher
	Lube Oil Capacity	1.16 US qt (1.1 liter)
	Speed Control Method	Centrifugal Fly-weight Type
	Starting Method	Recoil Start
Dimension (L x W x H)		15.0 x 17.7 X 17.4 in. (380 X 450 X 443 mm)
Dry Net Weight		68.4 lbs (31 Kg.)

MQ STREET PRO 1 SAW — GENERAL INFORMATION

General Information

The MQ Whiteman SP1 series *walk-behind saws* are designed for *wet* or *dry* cutting of *concrete* or *asphalt* utilizing Diamond Blades. These saws have been engineered for general and industrial flat sawing applications. The reinforced steel box frame design adds strength necessary to reduce vibrations while cutting. Minimizing vibrations enhances the performance of the blade and extends the life of the saw.

Heavy-duty front and rear axles, sturdy oversized wheels, and industrial under carriage assembly ensure accurate tracking and years of reliable use.

Additionally, the general weight-to-strength ratio design of the frame and chassis assembly provides for optimum weight distribution to keep the blade running true in the cut. A rugged blade shaft bearing assembly ensures minimal flutter and shaft harmonics providing the most advantageous condition for a diamond blade at operating speeds.

The SP1 series saws are available in gasoline or electric power versions. The gasoline version comes equipped with an 18-inch blade guard and handles Diamond Blades ranging in size from 12-18-inches in diameter. The electric version comes standard with a 16-inch blade guard, it can handle Diamond Blades™ ranging in size from 12-16-inch in diameter.

An ACME thread, manual **raise/lower** assembly, easily raises and lowers the blade, and locks it into position to ensure a constant depth cut. All SP1 series saws are equipped with a retractable cutting guide, oversized roller bearing wheels, industrial blade shaft bearings, and a rigid steel frame.

Power Plants

The SP1 series saws are generally classified in the industry as a "**LOW** to **MEDIUM**" horsepower saws. This classification is particularly useful when selecting the proper diamond blade for an application.

The **gasoline** version of the SP1 saw is powered by a HONDA GX-390 air cooled, 4-stroke, single cylinder, OHV gasoline engine rated at 13 HP at 3,600 RPM. Blade rotation is V-belt driven. This is accomplished by connecting the output shaft of the engine to an upper drive pulley. The lower drive pulley (blade) is then connected to the upper drive pulley (engine) by three V-belts. As the engine shaft rotates, so does the blade.

Refer to the engine **Owner's Manual** for specific instructions regarding engine operation and maintenance practices.

The **electric** version of the SP1 saw is powered by a 5.0 HP, 230 VAC single-phase electric motor. Blade rotation is also belt driven.

All MQ Whiteman SP1 series saws are designed, engineered and manufactured with strict adherence to American National Standards Institute, Inc. (ANSI) guidelines B7.1 and B7.5.

Water System

All SP1 series saws provide a hardy water plumbing system that evenly distributes optimum water volume and flow rate to both sides of the blade to keep the blade cool when cutting. The basic water system consists of: a standard "garden hose" valve that connects the water source (via a hose) to the saw.

Features

- Super-rigid box frame- ensures straight cuts while resisting warping and vibration.
- Rugged roller bearing wheels for long service life.
- Comfortable grip handles
- Easy cranking for manually raising/lowering the blade to the desired cutting height.
- Hinged front, lift-up blade guard is designed to provide easy blade replacement.
- Saw position guide helps ensure straight cuts.
- Water system provides optimum flow and volume of water to both sides of the blade.

MQ STREET PRO 1 SAW — CONTROLS & COMPONENTS

CONTROLS & COMPONENTS

Figure 3 shows the location of the basic controls or components for the SP 1. Listed below is a brief explanation of each control or component. (Gasoline-powered unit shown)

1. **Hand Grips/Handlebar** – When operating the saw, place both hands on each grip to maneuver the saw. Replace hand grips when they become worn or damaged.
2. **Handle Lock** – Lock blade depth to desired position.
3. **Garden Hose Connector** – Connect to water source to provide blade cooling while cutting concrete or asphalt.
4. **Air Filter** – Prevents dirt and debris from entering the engine air intake. Check filter periodically and keep cleaned or replace when necessary.
5. **Recoil Starter Handle** – Pull to engage and start the engine.
6. **Recoil Starter Assembly** – Engages the engine when the handle is pulled and rewinds the starter rope when the handle is released.
7. **Wheels/Carriage Assembly** – Heavy-duty polyurethane wheels with permanently sealed ball bearings.
8. **Cutting Blade** – Use appropriate type blades for cutting concrete or asphalt.
9. **Blade Guard** – Covers saw blade and flips up to allow blade to be changed.
10. **Belt Tension Adjuster** – Adjusts belt tension.
11. **Front Pointer** – Front pointer wheel assists in straight tracking.
12. **Front Pointer Arm** – Stows up for storage and pivots down for use.
13. **Cutting Depth Adjuster** – turn operating crank clockwise or counter-clockwise to adjust the cutting depth up or down.
14. **Fuel Tank** – Use unleaded gasoline. Do not overfill.
15. **Blade Coolant System** – Provides cooling water to blade during cutting operations.
16. **V-Belt Cover** – Remove this cover to gain access to the V-belt. **NEVER** operate the saw with this cover removed.
17. **Arbor Shaft Grease Zerks** – Conveniently located for lubrication.
18. **On/Off Switch** – Turn to the "ON" position to allow engine to be started and turn to the "OFF" position to shut the engine off.

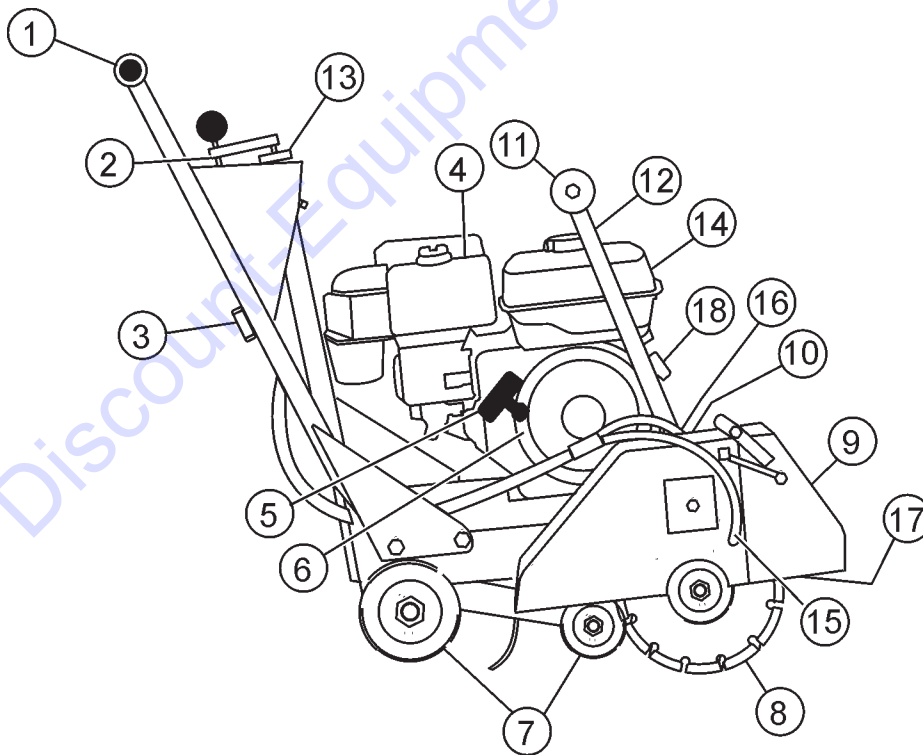


Figure 3. SP 1

BASIC ENGINE

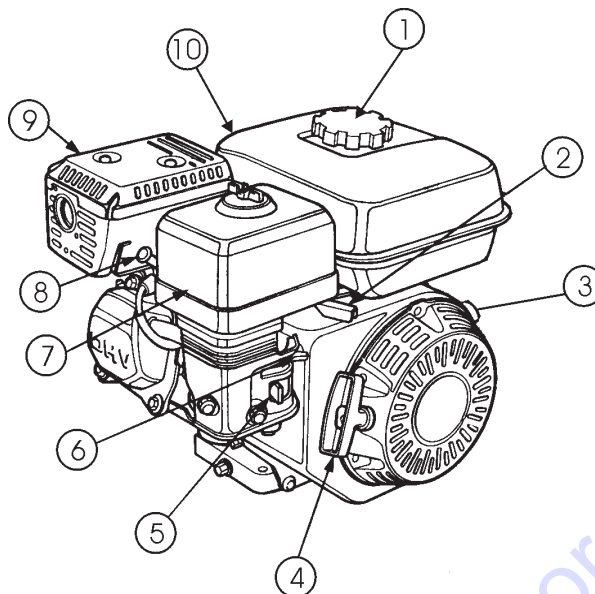
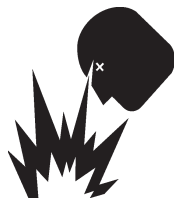


Figure 4. Engine Controls and Components

Initial Servicing

The engine (Figure 4) must be checked for proper lubrication and filled with fuel prior to operation. Refer to the manufacturers engine manual for instructions & details of operation and servicing.

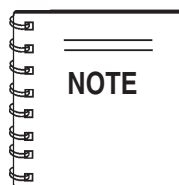
1. **Fuel Filler Cap** – Remove this cap to add unleaded gasoline to the fuel tank. Make sure cap is tightened securely. **DO NOT** over fill.



Adding fuel to the tank should be done only when the engine is stopped and has had an opportunity to cool down. In the event of a fuel spill, **DO NOT** attempt to start the engine until the fuel residue has been completely wiped up, and the area surrounding the engine is dry.

2. **Throttle Lever** – Used to adjust engine RPM speed (lever advanced forward **SLOW**, lever back toward operator **FAST**).
3. **Engine ON/OFF Switch** – **ON** position permits engine starting, **OFF** position stops engine operations.
4. **Recoil Starter (pull rope)** – Manual-starting method. Pull the starter grip until resistance is felt, then pull briskly and smoothly.
5. **Fuel Valve Lever** – **OPEN** to let fuel flow, **CLOSE** to stop the flow of fuel.

6. **Choke Lever** – Used in the starting of a cold engine, or in cold weather conditions. The choke enriches the fuel mixture.
7. **Air Cleaner** – Prevents dirt and other debris from entering the fuel system. Remove wing-nut on top of air filter cannister to gain access to filter element.



Operating the engine without an air filter, with a damaged air filter, or a filter in need of replacement will allow dirt to enter the engine, causing rapid engine wear.

8. **Spark Plug** – Provides spark to the ignition system. Set spark plug gap to 0.6 - 0.7 mm (0.028 - 0.031 inch) Clean spark plug once a month.
9. **Muffler** – Used to reduce noise and emissions.




Engine components can generate extreme heat. To prevent burns, **DO NOT** touch these areas while the engine is running or immediately after operating. **NEVER** operate the engine with the muffler removed.

10. **Fuel Tank** – Holds unleaded gasoline. For additional information refer to engine owner's manual.

MQ STREET PRO 1 SAW — PREPARATION/PRE-INSPECTION

PREPARATION / PRE-INSPECTION

1. Read and fully understand this manual, the safety instructions in particular, and the engine manufacturer's manual supplied with the saw. 
2. Select the correct blade for each application. If abrasive blades are used, **MAKE CERTAIN** they are designed for use on a concrete floor saw. They must be reinforced and have a hole for the driving pin. When wet cutting with an abrasive blade, **MAKE CERTAIN** the blade is intended for wet cutting. Water will destroy a dry cut abrasive blade. Some diamond blades require water cooling and failure to do so will destroy them almost immediately. Other diamond blades can be used with or without water. Refer to the Blades and Blade Placement sections on pages 18 and 19 for further information.
3. Handle all blades with care and **NEVER** use a damaged blade. **NEVER** use an abrasive blade that has been dropped.

WARNING

ALWAYS use a grounded (3-wire) extension cord and **MAKE CERTAIN** that the motor is connected to a properly grounded electric circuit to protect the operator from possible electric shock.



NEVER! touch the power cord (Figure 5) with **wet hands** or while **standing in water** when it is connected to a power source. The possibly exists of electrical shock (electrocution) even death. **NEVER!** spray water directly on the electric motor.

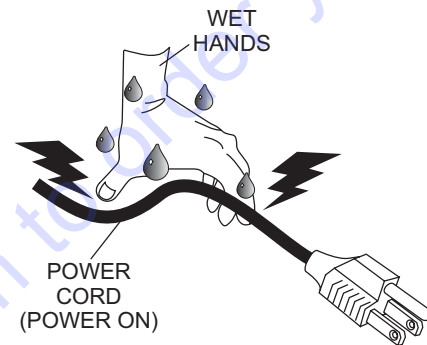


Figure 5. Extension Cord (Wet Hands)

Electric Powered Saws

1. The motor should be connected to a power source in compliance with all local electrical codes. This must be performed by a qualified electrician. After this connection is made, it will be necessary to check the rotation of the motor shaft. The shaft rotation **MUST** be **counter-clockwise** when viewing the motor from the shaft extension end. If the rotation of the shaft is incorrect make the necessary changes for the correct shaft rotation.
2. **MAKE CERTAIN** the rated line voltage is at the motor when cutting. Motors can burn out when the voltage falls 10% below the voltage rating of the motor. Also use the correct heavy duty circuit breakers or fuses in the circuit.
3. **MAKE CERTAIN** the correct size extension cord is used. Undersize wires will burn out motors. Use the following chart to determine the extension cord size.

TABLE 3. Extension Cord Sizes

MOTOR	VOLTAGE	50' LONG	75' LONG	100' LONG
5 HP single phase	230	NO. 10	NO. 8	NO. 6

Gasoline Powered Saws

1. Clean the **saw**, removing dirt and dust, particularly the engine cooling air inlet, carburetor and air cleaner.
2. Check the air filter for dirt and dust. If air filter is dirty, replace air filter with a new one as required.
3. Check carburetor for external dirt and dust. Clean with dry compressed air.
4. Check fastening nuts and bolts for tightness.

Engine Oil Check

1. To check the engine oil level, place the saw on secure level ground with the engine stopped. The frame platform **must be level** to accurately check the engine oil.
2. Remove the filler dipstick from the engine oil filler hole (Figure 6) and wipe it clean.

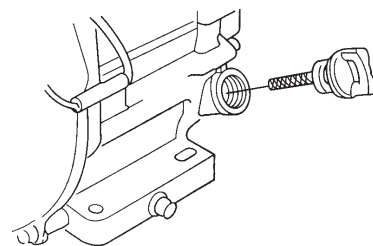
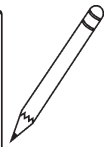
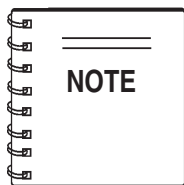


Figure 6. Engine Oil Dipstick (Removal)

MQ STREET PRO 1 SAW — PREPARATION/PRE-INSPECTION

3. Insert and remove the dipstick without screwing it into the filler neck. Check the oil level shown on the dipstick.
4. If the oil level is low (Figure 7), fill to the edge of the oil filler hole with the recommended oil type (Table 4).



Reference manufacturer engine manual for specific servicing instructions.

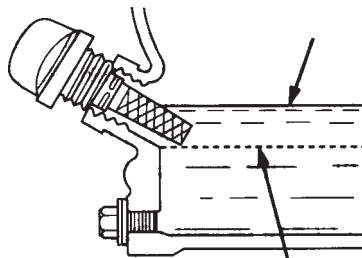


Figure 7. Engine Oil Dipstick (Oil Level)

Table 4. Oil Type

Season	Temperature	Oil Type
Summer	25°C or Higher	SAE 10W-30
Spring/Fall	25°C~10°C	SAE 10W-30/20
Winter	0°C or Lower	SAE 10W-10

Explosive Fuel

Fuel Check

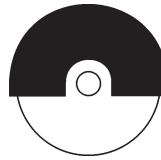
Motor fuels are highly flammable and can be dangerous if mishandled. **DO NOT** smoke while refueling. **DO NOT** attempt to refuel the trowel if the engine is **hot!** or **running**.



1. Remove the gasoline cap located on top of fuel tank.
2. Visually inspect to see if fuel level is low. If fuel is low, replenish with unleaded fuel.
3. When refueling, be sure to use a strainer for filtration. **DO NOT** top-off fuel. Wipe up any spilled fuel.

Guards And Covers

WARNING



NEVER operate the saw without blade guards and covers in place. **DO NOT** operate with the front of the blade guard raised. The blade exposure cannot exceed 180 degrees during operation. Adhere to the safety guidelines of the **American National Standards Institute (ANSI) B7.1 and B7.5**.



Figure 8. Blade Guard

CHECK the following on the **blade guard** (Figure 8):

- Ensure the capacity of the blade guard matches the diameter of your diamond blade.
- Check that the guard is bolted firmly upon the saw frame.
- Check that the spring tensioned front cover of the guard is firmly seated with the rear section of the guard and there are no gaps. **NEVER** lift the blade guard while cutting.

ENSURE the **V-belt Cover** is in place and securely fastened during operation of the saw (Figure 8).

V-Belt Check

A worn or damaged V-belt can adversely affect the performance of the saw. If a V-belt is defective or worn, replace **ALL** the V-belts. V-belts should always be replaced in sets.

CAUTION



NEVER attempt to check the V-belt with the engine running. Severe injury can occur. Keep fingers, hands, hair, and clothing away from all moving parts.



MQ STREET PRO 1 SAW — PREPARATION/PRE-INSPECTION

V-belt Alignment and Tensioning

This saw is equipped with a premium V-belt that has been aligned and tensioned by factory personnel. The V-belt must be aligned and tensioned for proper operation of the saw.

Use the following procedure to check the alignment of V-belt:

1. Remove the bolts that secure the V-belt cover (Figure 9) to the saw frame.



Figure 9. V-Belt Cover

2. Check uniform parallelism (Figure 10) of V-belt and pulley (sheaves). Use a straight-edge or machinist's square against both pulleys and adjust both pulleys until equally aligned.

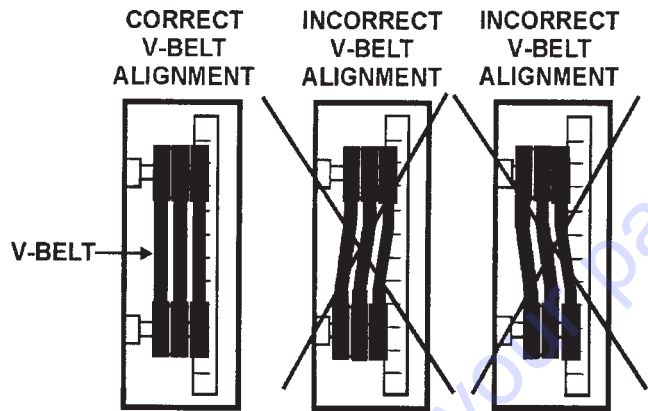
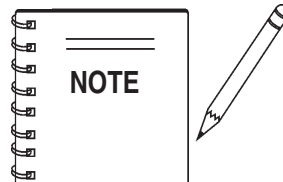


Figure 10. Pulley Alignment

3. Check V-belt tension by using a tension meter (3.0 lbs.) against the inside belt at a mid point between the two pulleys, or by deflecting the center belt at a mid point $3/16$ " (5 mm).
4. **DO NOT** over or under tighten the V-belt. Severe damage can occur to the saw and engine crankshaft if the belt is over-tensioned. A decrease of power to the blade and poor performance will result if the belt is under-tensioned (loose on pulleys).



V-belt alignment must be rechecked after adjusting belt tension.

BLADES

Saw blades, or cutting disks, are available in either an abrasive design or as diamond blades. Either blade will work on the SP 1, however, diamond blades are recommended. Ask your dealer about your specific cutting application.

SAW BLADE INSPECTION



WARNING



Failure to thoroughly inspect the diamond blade (Figure 11) for operational safety could result in damage to the blades or the saw and may cause injury to the user or others in the operating area.

1. **Stress Relief Holes (Gullets)** - Check the steel core for cracks that may have propagated from the slots and/or gullets. Cracks indicate extreme fatigue failure and if sawing continues, catastrophic failure will occur.

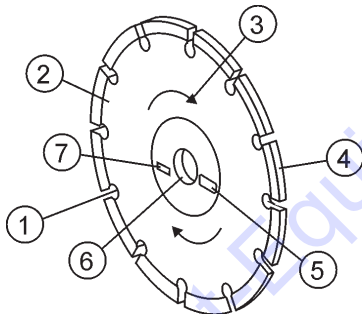


Figure 11. Diamond Blade

2. **Edge of the Steel Core** - Check the diameter edge for discoloration (blue oxidation) indicating an overheating condition caused by insufficient cooling water/air. Overheating of blades may lead to loss of core tension and/or increase the possibility for blade failure. Make sure the steel core's width is uniform about the rim of the blade, and not succumbing to an "under-cutting" condition brought about by highly abrasive material or improper under-cutting core protection.
3. **Directional Arrow** - Ensure that the blade is oriented properly on the blade shaft for sawing. Reference the directional arrow on the blade and place it so the direction of rotation "downcuts" with the turn of the shaft.
4. **Diamond Segment or Rim** - Ensure there are no cracks, dings, or missing portions of the diamond segment/rim. **DO NOT use a blade that is missing a segment or a portion of the rim.** Damaged and/or missing segments/rims may cause damage to your saw or injury to the user or others in the operating area.
5. **Specifications** - Ensure that the blade specifications, size, and diameter properly match up to sawing operations. Utilizing a blade not matched properly to the task may result in poor performance and/or blade damage.
6. **Arbor Hole** - It is essential that the arbor hole diameter properly matches the blade, and that it is free from distortion. Correct blade flanges (collars) must be used. The inside face of the flanges must be clean and free of debris. An out-of-round arbor condition will cause damage to the blade and the saw.
7. **MAX RPM** - This RPM reference is the maximum safe operating speed for the blade selected. **NEVER** exceed the max RPM on the diamond blade. Exceeding the maximum RPM is dangerous and may cause poor performance and may damage the blade.

MQ STREET PRO 1 SAW— BLADE PLACEMENT

BLADE PLACEMENT



Failure to thoroughly inspect the diamond blade for operational safety could result in damage to the blades or the saw and may cause injury to the user or others in the operating area.

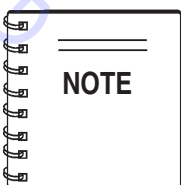
1. **Blade Guard** - Pivot the blade guard front cover all the way back. The guard tension spring will keep the front cover in position.
2. **Blade Hex Nut** - Unscrew the blade shaft nut (right side loosens clockwise and tightens counter-clockwise while the left side loosens counter-clockwise and tightens clockwise. **DO NOT** overtighten the nut (approximately 45-50 ft. lb/61-68 N/m) when finalizing the assembly.
3. **Outside Blade Flange (Collar)** - Ensure that the outside blade flange is placed flush against the diamond blade. The inside surface of the flange must be free of debris and permit a tight closure on the surface of the blade core.
4. **Diamond Blade** - Ensure that the proper diamond blade has been selected for the job. Pay close attention to the directional arrows on the blade. The blade's operating directional arrows must point in a "down-cutting" direction to perform correctly. When placing the blade onto the blade shaft, ensure the arbor hole of the blade matches the diameter of the shaft.
5. **Inner Flange (Collar)** - This flange is fixed upon the blade shaft. The inside surface of the flange must be free of debris and permit a tight closure on the surface of the blade.

Blade Speed

A diamond blade's performance is directly connected to specific peripheral (rim) speeds.

The following shaft rotational speeds have been factory set to ensure optimum blade performance.

- SP1- 18-inch (457.2 mm) Capacity - 2,836 RPM.



The following steps should be accomplished before using the saw on any cutting surface.

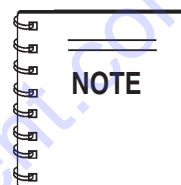


Dropping or forcing the blade onto the cutting surface can severely damage the diamond blade and may cause serious damage to the saw and bodily harm.



Blade Removal and Replacement

1. Set the engine ON/OFF switch to the "OFF" position. (Unplug electric models.)
2. Place the saw on a stable level working surface.
3. Ensure the blade is raised and the raise/lower crank is locked into position.



When removing or installing a diamond blade, please note that the blade retaining nuts are left and right-hand threaded.

5. Lift up the blade guard cover to gain access to the blade.
6. Use the provided blade nut and blade shaft locking wrenches to remove and install the blade.
 - While holding the blade shaft with the locking wrench, remove the blade hex nut (clockwise direction) and outer blade flange.
 - Remove the old blade and install a new blade in the same rotational direction as marked on the old blade.
 - Reinstall the outer blade flange and hex nut. Tighten the nut firmly (counter-clockwise direction). **DO NOT OVERTIGHTEN.**

Cutting Depth Adjustment

The saw is equipped with a Raise/Lower Assembly that is supported by the following components.

- Raise/Lower Acme Screw
- Jack Arm
- Blade Guard
- Adjusting Handle Crank

MQ STREET PRO 1 SAW — INITIAL START-UP

INITIAL START-UP

CAUTION



DO NOT attempt to operate the saw until the Safety, General Information and Inspection sections of this manual have been read and thoroughly understood. Depending on engine manufacturer, operating steps may vary. See engine manufacturer's operating manual.

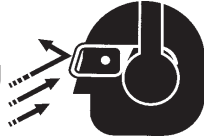
CAUTION



NEVER operate the saw in a confined area or enclosed area structure that does not provide ample **free flow of air**.



ALWAYS wear approved eye and hearing protection before operating the saw.



NEVER place hands or feet inside the belt guard or blade guard while the engine is running. **ALWAYS** shut the engine down before performing any kind of maintenance service on the saw.



1. Ensure the diamond blade has been mounted correctly and that it is raised above the surface you are about to saw.
2. Place the **fuel valve lever** (Figure 12) to the "ON" position.

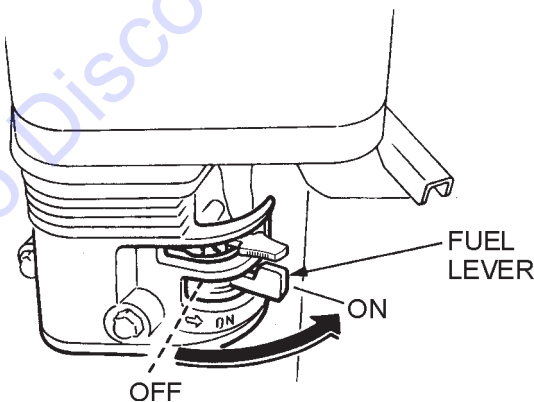


Figure 12. Engine Fuel Valve Lever

3. Place the **Engine ON/OFF switch** (Figure 13) in the "ON" position.

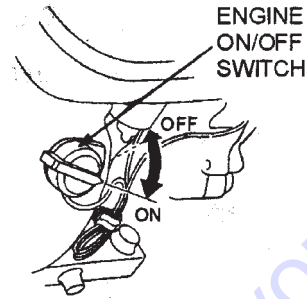
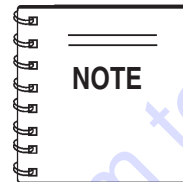


Figure 13. Engine ON/OFF Switch



The **CLOSED** position of the choke lever enriches the fuel mixture for starting a **COLD** engine. The **OPEN** position provides the correct fuel mixture for normal operation after starting, and for restarting a warm engine.

4. Place the **Choke Lever** (Figure 14) in the "CLOSED" position.

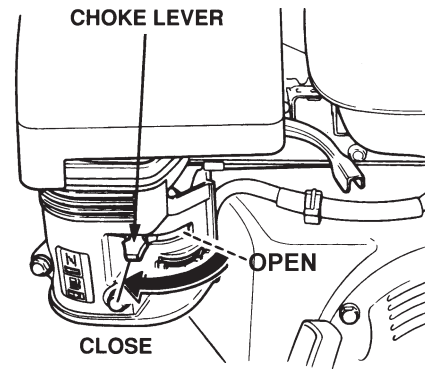


Figure 14. Choke Lever

CAUTION



The engine speed has been set at the factory. Changing the governor speed could damage the blade and/or the saw.



MQ STREET PRO 1 SAW — INITIAL START-UP/OPERATION

5. Rotate the **throttle lever** (Figure 15) halfway between **fast** and **slow** for starting. All sawing is done at **full throttle**. The engine governor speed is factory set to ensure optimum blade operating speeds.
8. Before the saw is placed into operation, run the engine for several minutes. Check for fuel leaks, and noises that would associate with a loose guards and/or covers.

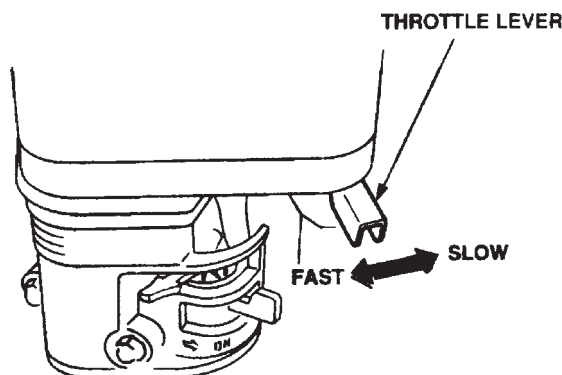


Figure 15. Throttle Lever

6. Grasp the starter grip (Figure 15) and slowly pull it out. The resistance becomes the hardest at a certain position, corresponding to the compression point. Pull the starter grip briskly and smoothly for starting.

CAUTION



DO NOT pull the starter rope all the way to the end. **DO NOT** release the starter rope after pulling. Allow it to rewind as soon as possible.

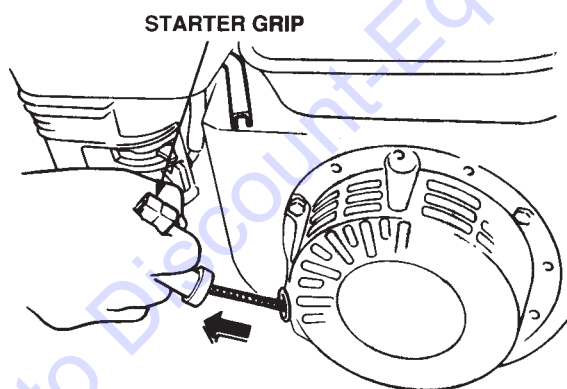


Figure 16. Starter Grip

7. If the engine has started, slowly return the choke lever (Figure 14) to the **"OPEN"** position. If the engine has not started repeat steps 1 through 6.

OPERATION

1. Start the engine. Rotate the throttle lever (Figure 15) toward full throttle.



WARNING

ALWAYS cut with the saw at **FULL THROTTLE**. Attempting to cut with the saw at less than full throttle could cause the blade to bind or stop abruptly in the slab resulting in serious injury to the operator or others in the area.



WARNING

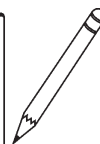
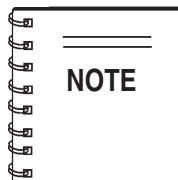
ALWAYS keep clear of **rotating** or **moving** parts while operating this equipment.

2. To begin sawing, lower the rotating blade allowing it to cut to the preset depth.
3. When blade has reached full cutting depth, slowly walk behind the saw at a rate that will allow the engine to operate without losing optimum RPM.

CAUTION



DO NOT try to cut faster than the blade will allow. Cutting too fast will cause the blade to rise up out of the cut. Improper cutting rate can decrease the life of the engine and blades.

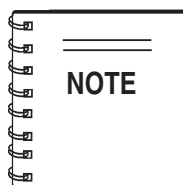


Mark the cutting line clearly and always saw in a **STRAIGHT LINE ONLY**.

4. When the end of the cut has been reached, raise the blade out of the cut by pulling back on the handlebars (using a downward pressure) until the raise/lower rod drops into its slot with the blade in the raised position.
5. If cutting is complete, turn the engine off and wait for the blade to stop rotating.

MQ STREET PRO 1 SAW — MAINTENANCE

MAINTENANCE



See the engine manual supplied with your machine for appropriate engine maintenance schedule and troubleshooting guide for problems.

CAUTION!



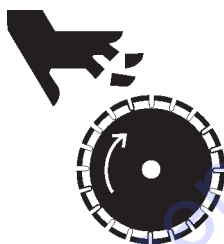
ALWAYS allow the engine to cool before servicing. **NEVER** attempt any maintenance work on a **hot!** engine.



WARNING

ALWAYS ensure that the engine **ON/OFF** switch is in the "OFF" position, (power cable **UNPLUGGED** on electric models), and that the arbor shaft has **COMPLETELY STOPPED ROTATING** before performing any of the the following operations:

- **REMOVING** or **INSTALLING** blades
- **ADJUSTING** front or rear pointers
- **LUBRICATING** any components
- **REMOVING** engine mounting bolts
- **INSPECTING, ADJUSTING, OR REPLACING** drivebelt, arbor shaft, arbor shaft bearings or **ANY** engine part



Saw Blade Removal and Installation

Saw blade removal and installation is covered on page 19.

Front Pointer Adjustment

The front pointer wheel has been set at the factory. Use these procedures only if the pointer is suspect of being out of alignment.

1. Chalk out a straight line on the prepared slab or cutting surface.
2. Use a 4 foot straight-edge or level by placing it flat against the blade.

3. Adjust the front pointer wheel so it just touches the side of the straight-edge or level.
4. Remove the straight-edge or level.
5. Position the front pointer and blade directly over the chalk line.
6. Start the saw and lower the blade onto the chalk line.
7. Begin cutting and make sure the blade follows the chalk line as closely as possible.
8. The pointer should follow the chalk line as well. If it does not, adjust the pointer by loosening then tightening the jam nuts on the pointer until the pointer follows the same path as the blade.

Chassis Lubrication

- **Blade Shaft Bearings** - Two zerk fittings are located at the lower-front area of the saw. Lubricate before daily use. Use a good quality automotive or general purpose grease. Check and lubricate more often if unit is under heavy use. Do not overfill bearings. Overfilling can damage the grease seals which can result in bearing exposure to dirt and contaminants which can then shorten the life of the bearings. Excess grease can also drip onto the cutting surface.

Drive Belt

Refer to pages 16 and 17 of this manual for Drive Belt adjustment procedures and Removal and Replacement procedures.

Engine

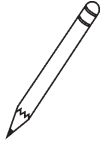
Follow the maintenance procedures outlined in the engine owner's manual.

Engine Oil Change

Drain the used oil while the engine is warm by the following:

Refer to Figure 16.

1. Place an oil pan or suitable container below the engine drain plug to catch the used oil.
2. Remove the filler cap/dipstick and the drain plug.
3. Drain the oil completely and reinstall the drain plug. Ensure the drain plug is tightened securely.



Dispose of used oil properly. **DO NOT** pour used oil on the ground, down a drain, or throw in the trash. Used oil can generally be taken to your local recycling center or service station for reclamation.

4. Make sure the engine is in a level position and fill to the outer edge of the oil filler hole with the recommended oil. (See Table 4.) Engine oil capacity is 1.16 US quart (1.1 liter).
5. Screw in the filler cap/dipstick securely.

CAUTION



Running the engine with a low oil level can cause engine damage.

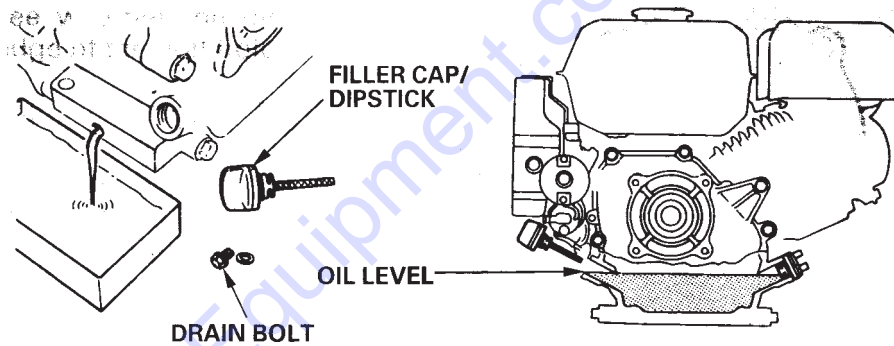


Figure 17. Engine Oil Change

MQ STREET PRO 1 SAW — TROUBLESHOOTING (SAW)

TABLE 5. BLADE TROUBLESHOOTING

SYMPTOM	POSSIBLE PROBLEM	SOLUTION
Blade slows or stops cutting.	Blade too hard for the material being cut?	Consult Discount-equipment for correct blade. Try cutting very soft material (sandstone, silica brick, cinder block) to "Redress" the blade.
	Engine torque diminished because of loose V-belt?	Tighten and/or replace V-Belts.
	Insufficient engine power?	Check throttle setting. Check Engine horsepower.
	Improper direction of rotation?	Check that the blade is properly oriented and rotational arrow points in a "Down-Cutting" direction.
	Blade is slipping on the blade shaft?	Check that the blade & flange pin are properly installed on the blade shaft.
Blade does not cut straight and/or true.	Blade being used on misaligned saw?	Check blade shaft bearings and alignment integrity.
	Blade is excessively hard for the material being cut?	Check specification of the blade with the material being cut. Consult Discount-equipment for information.
	Blade being used at improper RPM?	Ensure blade surface feet per minute speed (SFPM) is approximately 6,000.
	Blade improperly mounted on arbor shoulders and flanges?	Ensure blade is properly affixed on the blade shaft.
	Excessive force applied to blade while cutting?	DO NOT force the blade in the cut. Apply a slow and steady pace when sawing.
Blade discoloring, crackling and/or wearing excessively.	Blades too hard for the material being cut?	Consult Discount-equipment for correct blade. Try cutting very soft material (sandstone, silica brick, cinder block) to "Redress" the blade.
	Blade improperly mounted on arbor shoulders and flanges?	Ensure blade is properly affixed on the blade shaft.
	Blade not receiving enough cooling water or air?	Ensure proper flow & volume of water is provided for wet cutting blades. Ensure sufficient cooling air is circulated about a dry cutting blade.
	Arbor hole out of round?	Ensure blade is properly affixed on the blade shaft.
	Incorrect blade chosen for material being cut?	Check specification of the blade with the material being cut. Consult Discount-equipment for information.
	Excessive force applied to blade while cutting?	DO NOT force the blade in the cut. Apply a slow and steady pace when sawing.

MQ STREET PRO 1 SAW — TROUBLESHOOTING (ENGINE)

TABLE 6. TROUBLESHOOTING (ENGINE)

SYMPTOM	POSSIBLE CAUSE	SOLUTION
Difficult to start, "fuel is available, but no SPARK at spark plug".	Spark plug bridging?	Check gap, insulation or replace spark plug.
	Carbon deposit on spark plug?	Clean or replace spark plug.
	Short circuit due to deficient spark plug insulation?	Check spark plug insulation, replace if worn.
	Improper spark plug gap?	Set to proper gap.
	Ignition coil defective?	Replace ignition coil.
Difficult to start, "fuel is available, and SPARK is present at the spark plug".	ON/OFF switch is shorted?	Check switch wiring, replace switch.
	Improper spark gap, points dirty?	Set correct spark gap and clean points.
	Condenser insulation worn or short circuiting?	Replace condenser.
	Spark plug wire broken or short circuiting?	Replace defective spark plug wiring.
Difficult to start, "fuel is available, spark is present and compression is normal".	Wrong fuel type?	Flush fuel system, and replace with correct type of fuel.
	Water or dust in fuel system?	Flush fuel system.
	Air cleaner dirty?	Clean or replace air cleaner.
	Choke Open?	Close Choke.
Difficult to start, "fuel is available, spark is present and compression is low".	Suction/exhaust valve stuck or protruded?	Re-seat valves.
	Piston ring and/or cylinder worn?	Replace piston rings and/or piston.
	Cylinder head and/or spark plug not tightened properly?	Torque cylinder head bolts and spark plug.
	Head gasket and/or spark plug gasket damaged?	Replace head and/or spark plug gaskets.
No fuel present at the carburetor.	Fuel not available in fuel tank (tank empty)?	Fill with correct type of fuel.
	Fuel filter clogged?	Replace fuel filter.
	Fuel tank cap breather hole clogged?	Clean or replace fuel tank cap.
	Air in fuel line?	Bleed fuel line.

MQ STREET PRO 1 SAW — TROUBLESHOOTING (ENGINE)

TABLE 6. TROUBLESHOOTING (ENGINE, CONTINUED)

SYMPTOM	POSSIBLE CAUSE	SOLUTION
"Weak in power" compression is proper and does not misfire.	Air cleaner not clean?	Clean or replace air cleaner.
	Improper fuel level in carburetor?	Check float adjustment.
		Rebuild carburetor.
	Defective spark plug?	Clean or replace spark plug.
	Improper spark plug gap?	Set to proper gap.
"Weak in power" compression is proper but misfires.	Water in fuel system?	Flush fuel system and replace with correct type fuel.
	Ignition coil defective?	Replace ignition coil.
	Dirty spark plug?	Clean or replace spark plug.
Engine overheats.	Wrong fuel type?	Flush fuel system, and replace with correct type of fuel.
	Spark plug heat value improper?	Replace with correct type of spark plug.
	Cooling fins dirty?	Clean cooling fins.
Rotational speed fluctuates.	Governor adjusted correctly?	Adjust governor.
	Governor spring defective or missing?	Replace governor spring.
	Fuel flow restricted?	Check entire fuel system for leaks or clogs.
Recoil starter malfunction.	Recoil mechanism clogged with dust and dirt?	Clean recoil assembly with soap and water.
	Spiral spring loose?	Replace spiral spring.

MQ STREET PRO 1 SAW — SUGGESTED SPARE PARTS

The following section explains the different symbols and remarks used in the Parts section of this manual. Use the help numbers found on the back page of the manual if there are any questions.

The contents and part numbers listed in the parts section are subject to change **without notice**. Multiquip does not guarantee the availability of the parts listed.

Sample Parts List:

NO.	PART NO.	PART NAME	QTY.	REMARKS
1	12345	BOLT	1	INCLUDES ITEMS W/*
2*		WASHER, 1/4 IN.		NOT SOLD SEPARATELY
2*	12347	WASHER, 3/8 IN. ...	1	MQ-45T ONLY
3	12348	HOSE	A/R	MAKE LOCALLY
4	12349	BEARING	1	S/N 2345B AND ABOVE

NO. Column

Unique Symbols - All items with same unique symbol (*, #, +, %, or >) in the number column belong to the same assembly or kit, which is indicated by a note in the "Remarks" column.

Duplicate Item Numbers - Duplicate numbers indicate multiple part numbers are in effect for the same general item, such as different size saw blade guards in use or a part that has been updated on newer versions of the same machine.



When ordering a part that has more than one item number listed, check the remarks column for help in determining the proper part to order.

PART NO. Column

Numbers Used - Part numbers can be indicated by a number, a blank entry, or TBD.

TBD (To Be Determined) is generally used to show a part that has not been assigned a formal part number at time of publication.

A blank entry generally indicates that the item is not sold separately or is not sold by Multiquip. Other entries will be clarified in the "Remarks" Column.

QTY. Column

Numbers Used - Item quantity can be indicated by a number, a blank entry, or A/R.

A/R (As Required) is generally used for hoses or other parts that are sold in bulk and cut to length.

A blank entry generally indicates that the item is not sold separately. Other entries will be clarified in the "Remarks" Column.

REMARKS Column

Some of the most common notes found in the "Remarks" Column are listed below. Other additional notes needed to describe the item can also be shown.

Assembly/Kit - All items on the parts list with the same unique symbol will be included when this item is purchased.

Indicated by:

"INCLUDES ITEMS W/(unique symbol)"

Serial Number Break - Used to list an effective serial number range where a particular part is used.

Indicated by:

"S/N XXXXX AND BELOW"

"S/N XXXX AND ABOVE"

"S/N XXXX TO S/N XXXX"

Specific Model Number Use - Indicates that the part is used only with the specific model number or model number variant listed. It can also be used to show a part is NOT used on a specific model or model number variant.

Indicated by:

"XXXXX ONLY"

"NOT USED ON XXXX"

"Make/Obtain Locally" - Indicates that the part can be purchased at any hardware shop or made out of available items. Examples include battery cables, shims, and certain washers and nuts.

"Not Sold Separately" - Indicates that an item cannot be purchased as a separate item and is either part of an assembly/kit that can be purchased, or is not available for sale through Multiquip.

MQ STREET PRO 1 SAW — SUGGESTED SPARE PARTS

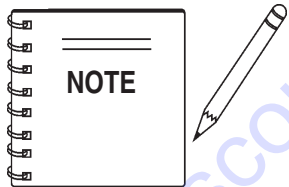
SUGGESTED SPARE PARTS

MQ STREET PRO 1 CONCRETE/ASPHALT SAW

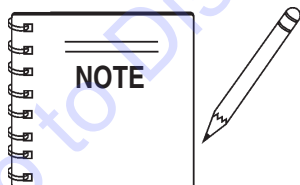
1 TO 3 UNITS WITH HONDA 13 HP GX390K1QWT2/GX390U1QWT2 ENGINES
AND 5HP ELECTRIC MOTOR.

1 to 3 Units

Qty.	P/N	Description
3	20478	HAND GRIP
4	2621	GREASE ZERK, SPINDLE BEARING
4	1162 A	CAP, GREASE ZERK
3	13249	BELT (3VX315) 13HP HONDA
3	16779-006	BELT (3VX300) 5HP ELECTRIC MOTOR
3	9807956846	SPARK PLUG, BPR6ES, NKG
1✖	17620ZH7023	TANK CAP, BLACK, (S/N 3605677 AND BELOW)
1✖	17620Z0T305	TANK CAP, CHROME PLATED, (S/N 3605678 AND ABOVE)
1◇	17620Z0T305	TANK CAP, CHROME PLATED
2	17210ZE3010	AIR CLEANER ELEMENT
1✖	28462ZV7003	ROPE, RECOIL STARTER
1◇	28462ZE3W01	ROPE, RECOIL STARTER
2	28086001	8" REAR WHEEL (GAS MODEL)
2	23668001	6" REAR WHEEL (ELECTRIC MODEL)
2	26221001	4" FRONT WHEEL
1	29013001	1-1/2" BOX WRENCH



The contents of this parts catalog
are subject to change without
notice.



- ✖ GX390K1QWT2: Model S/N DECEMBER 2005 AND BELOW
- ◇ GX390U1QWT2: Model S/N JANUARY 2006 AND ABOVE

MQ STREET PRO 1 SAW — DECALS

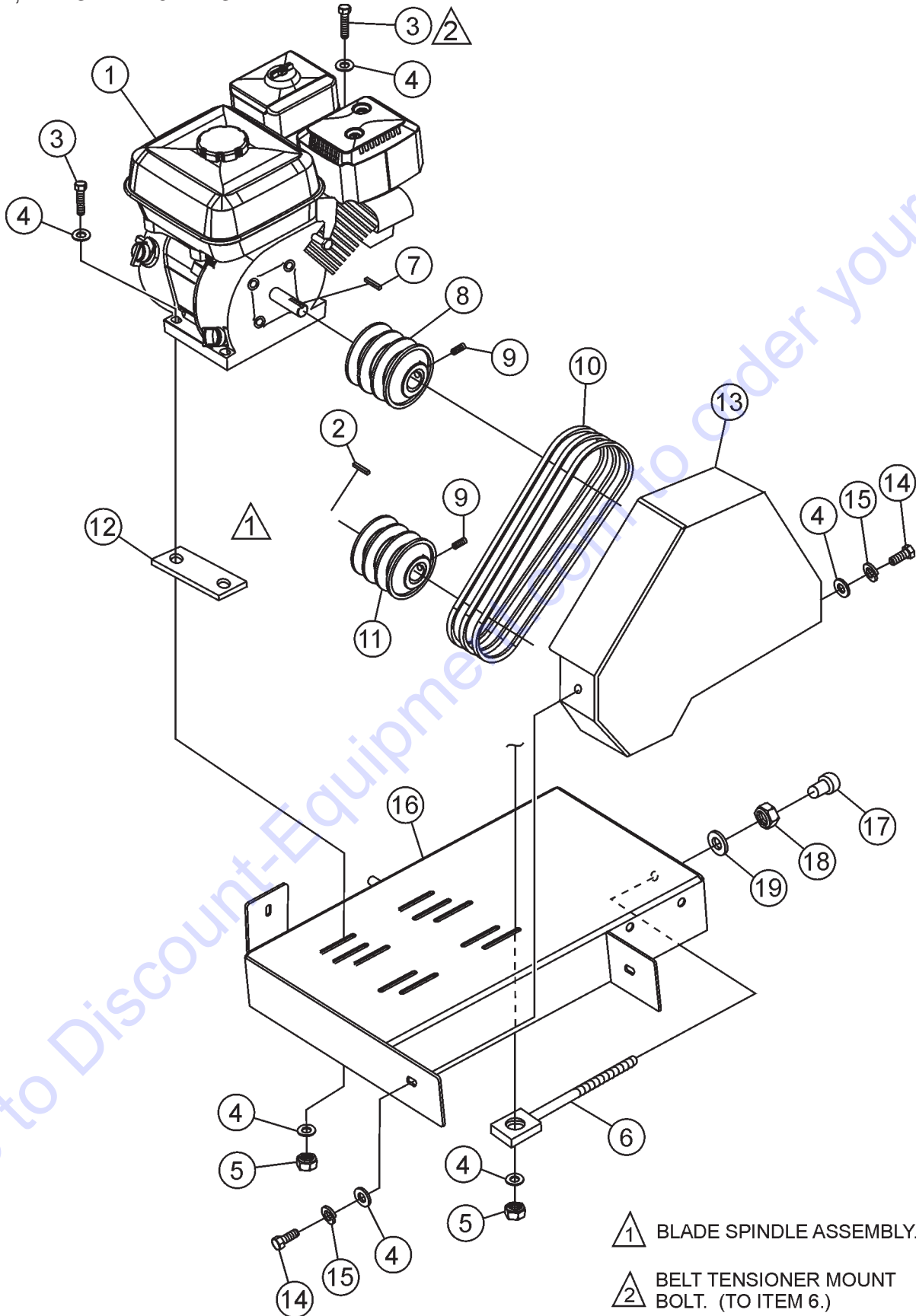
DECALS

<u>NO.</u>	<u>PART NO.</u>	<u>PART NAME</u>	<u>QTY.</u>	<u>REMARKS</u>
1	25215-001	DECAL, WARNING	1	ELECTRIC MODEL ONLY
2	20525	DECAL, PROP 65 WARNING	1	
3	13118	DECAL, POWDER COATED	1	
4	25782	DECAL, MQ DIAMONDBACK	3	
5	25783	DECAL, SP 1	3	
6	11247	DECAL, ISO SAFETY GEAR	1	
7	22122-001	DECAL, WARNING	1	
8	25250-001	DECAL, WARNING FEET	1	
9		SERIAL NUMBER PLATE	1CONTACT DISCOUNT-EQUIPMENT.
10	25491	DECAL, ROTATION CW	1	
10	25678	DECAL, ROTATION CCW	1	
11	23330-001	DECAL, CAUTION BLADE GUARD	1	
12	25249-001	DECAL, WARNING HANDS	1	
13	11246	DECAL SHEET, INTL STDS	1	

Go to Discount-Equipment.com to order your parts

MQ STREET PRO 1 SAW — ENGINE, BELTS AND PULLEYS

ENGINE, BELTS AND PULLEYS



MQ STREET PRO 1 SAW— ENGINE, BELTS AND PULLEYS

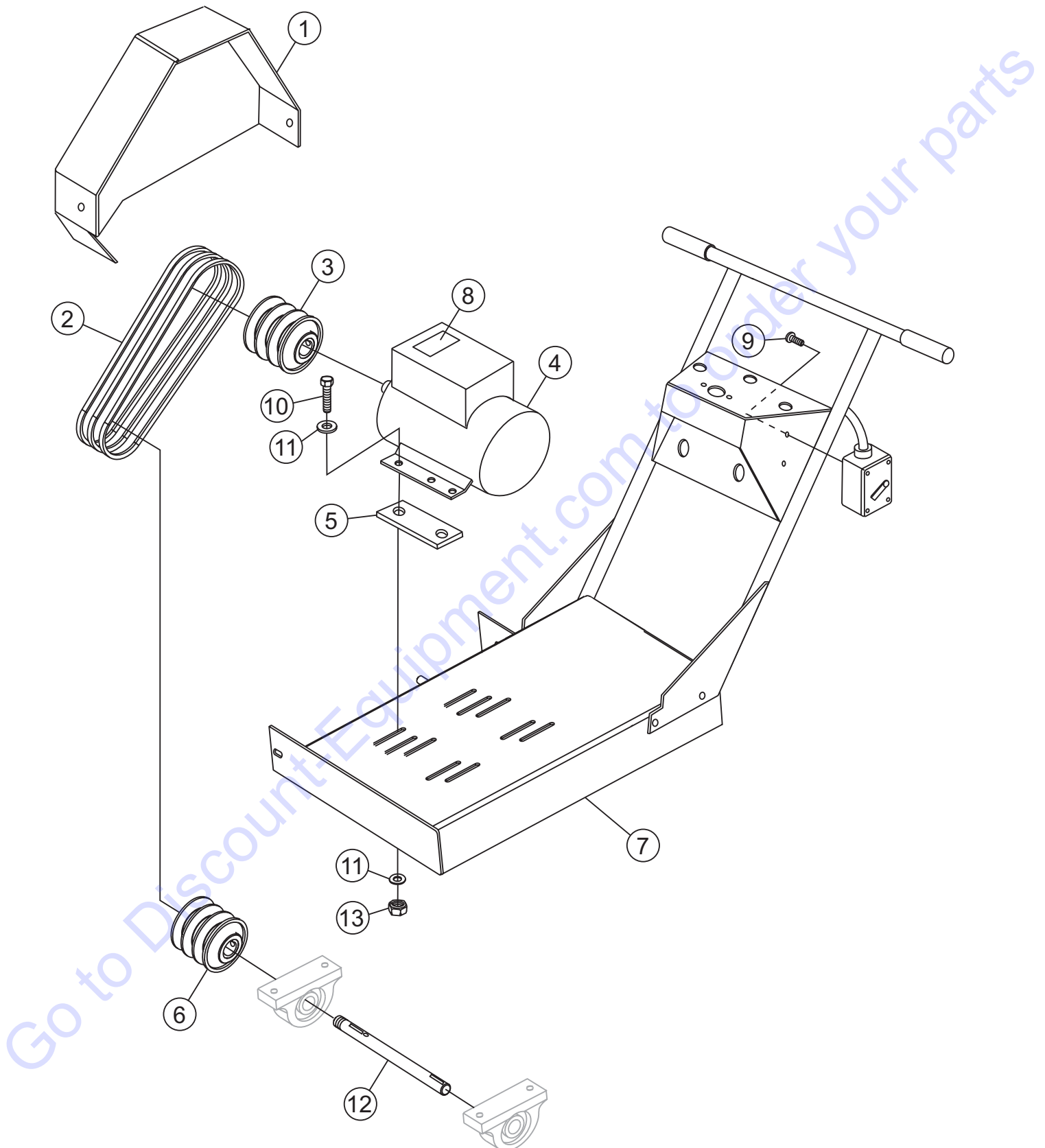
ENGINE, BELTS AND PULLEYS

<u>NO.</u>	<u>PART NO.</u>	<u>PART NAME</u>	<u>QTY.</u>	<u>REMARKS</u>
1	15103	ENGINE 13 HP HONDA RED	1	
2	9152	KEY, 1/4 X 1-3/4	1	
3	0669A	SCREW. HHCS 5/16-18 x 2-1/4"	4	
4	0300B	FLAT WASHER 5/16"	10	
5	5283	NUT, 5/16 - 18 LOCK	4	
6	23811-352	BELT TENSIONER	2	
7	6059B	SQUARE KEY, 1/4 X 2	1	
8	23665-001	PULLEY, ENGINE	1	
9	25354	SCREW, SHS 1/4 - 20 X 1/2 ALLOY	4	
10	13249	BELT, 3VX315	3	
11	23665-009	PULLEY, SPINDLE	1	
12	27044-001	SPACER	2	
13	26105-751	BELT GUARD, 13HP RED	1	
14	0202	SCREW, 5/16 - 12 X 1	2	
15	161C	WASHER, LOCK 5/16	2	
16	26112-354	FRAME	1	
17	10779-011	CAP	2	
18	10133	NUT, 3/8 - 16	1	
19	10136	WASHER, FLAT 3/8	1	

Go to Discount-Equipment.com to order your parts

MQ STREET PRO 1 SAW — ELECTRIC MOTOR

ELECTRIC MOTOR



MQ STREET PRO 1 SAW — ELECTRIC MOTOR

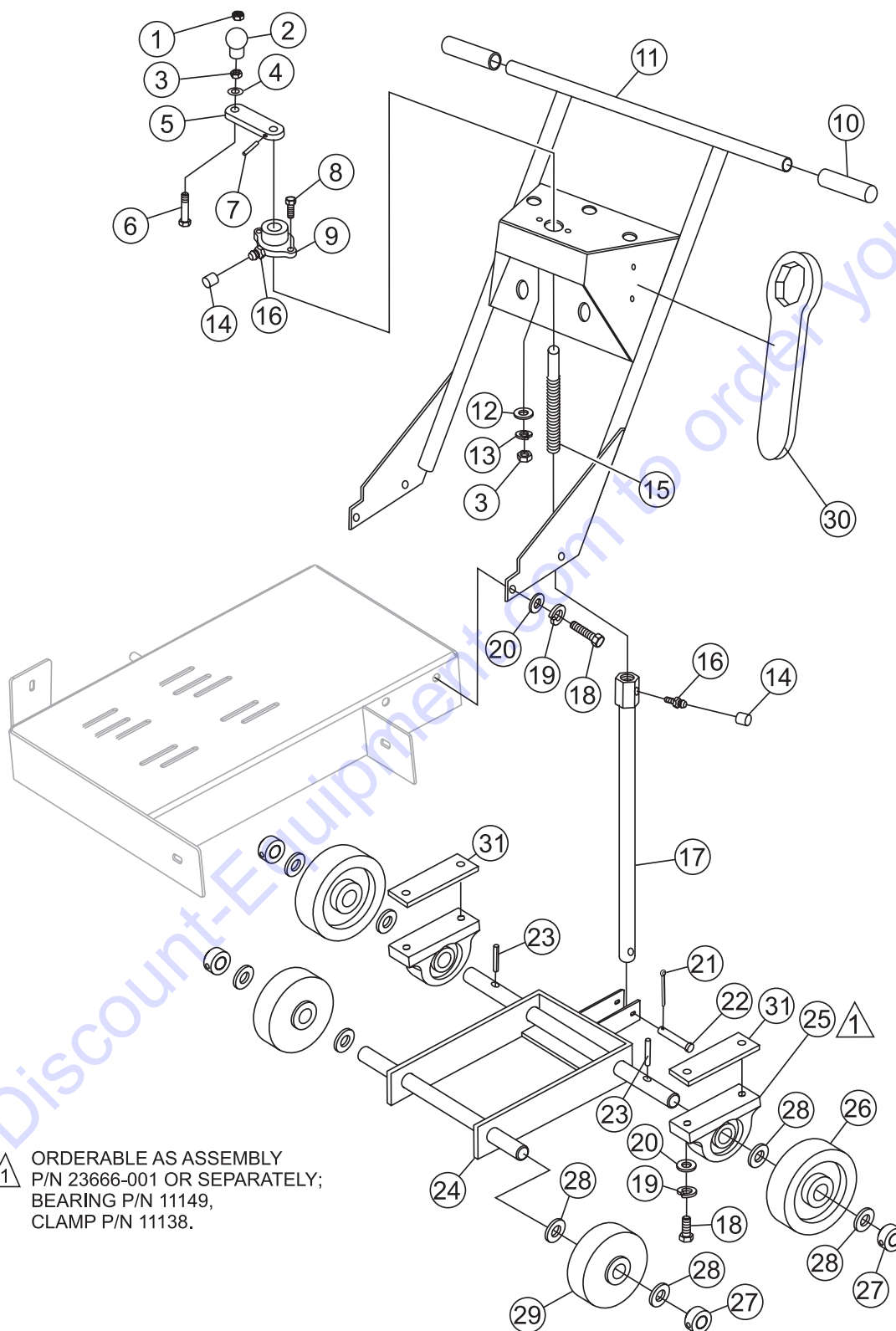
ELECTRIC MOTOR

<u>NO.</u>	<u>PART NO.</u>	<u>PART NAME</u>	<u>QTY.</u>	<u>REMARKS</u>
1	26142-754	BELT GUARD RED	1	
2	16779-006	BELT - 3VX300	3	
3	23665-005	PULLEY (MOTOR)	1	
4	26152-502	MOTOR, 5 HP ELECTRIC	1	
5	27084-002	SPACER	2	
6	23665-009	PULLEY (SPINDLE)	1	
7	26145-351	FRAME	1	
8	25215-001	LABEL, WARNING	1	
9	23865-001	SCREW, 10 - 24 X 3/4	2	
10	2623	SCREW, HHC 5/16 - 18 x 1-1/4"	4	
11	07030-005	FLAT WASHER 5/16	8	
12	26136-004	SPINDLE	1	
13	5283	NUT, 5/16 - 18 LOCK	4	

Go to Discount-Equipment.com to order your parts

MQ STREET PRO 1 SAW — UNDERCARRIAGE

UNDERCARRIAGE



1 ORDERABLE AS ASSEMBLY
P/N 23666-001 OR SEPARATELY;
BEARING P/N 11149,
CLAMP P/N 11138.

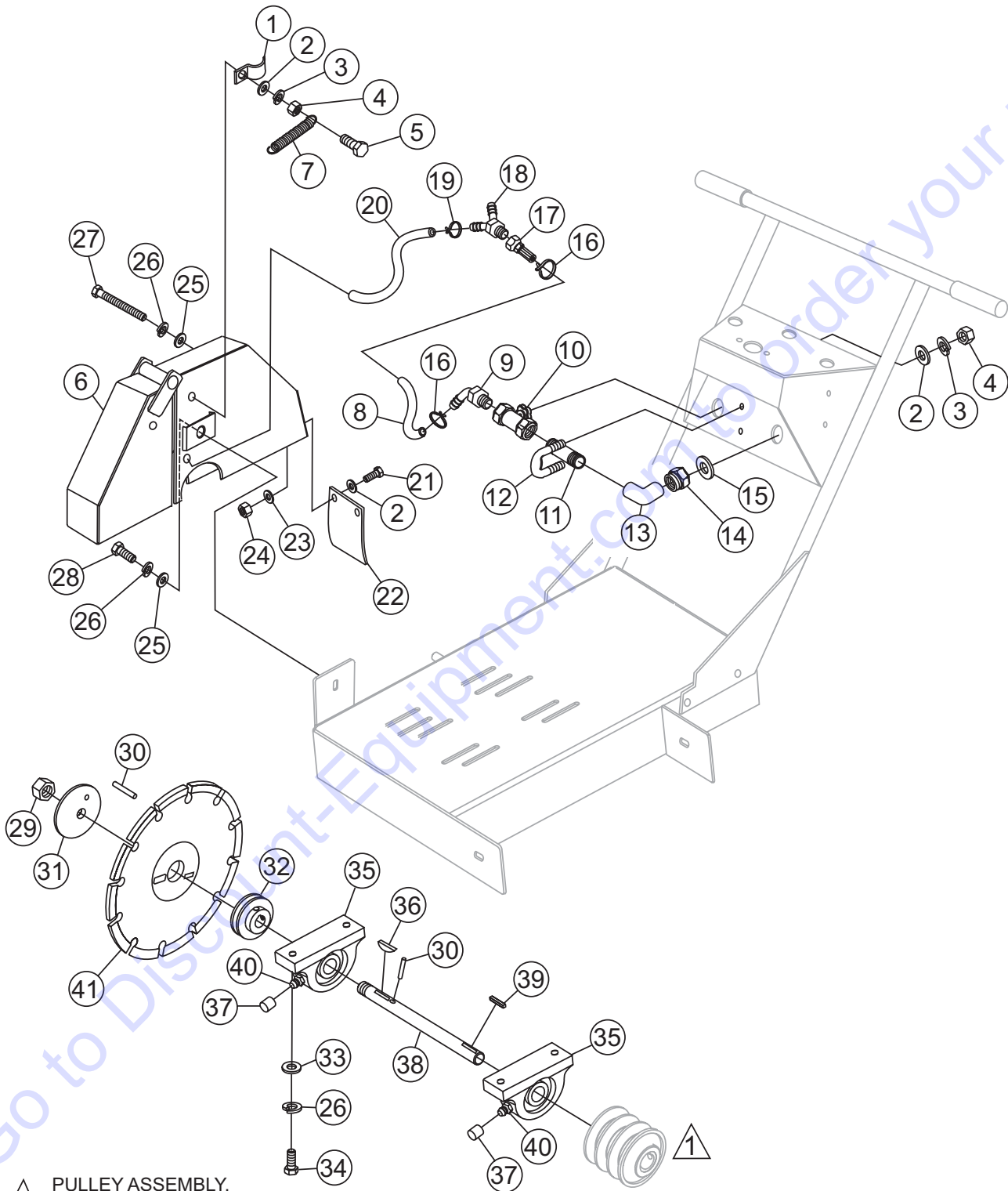
MQ STREET PRO 1 SAW — UNDERCARRIAGE

UNDERCARRIAGE

<u>NO.</u>	<u>PART NO.</u>	<u>PART NAME</u>	<u>QTY.</u>	<u>REMARKS</u>
1	08233-005	LOCKNUT, 5/16 - 18	1	
2	18637-001	KNOB	1	
3	0161D	HEX NUT, 5/16 - 18	3	
4	25496	BUSHING	1	
5	28808-002	CRANK HANDLE	1	
6	26164-001	LOCK PIN	1	
7	4568	ROLL PIN 3/16 X 1	1	
8	07046-011	BOLT, CARRIAGE 5/16-18 X 1-1/2	2	
9	23284-001	FLANGE BEARING	1	
10	26138-001	HAND GRIP	2	
11	26126-352	HANDLE	1	
12	0300B	FLATWASHER 5/16	2	
13	0161C	LOCKWASHER 5/16	2	
14	1162A	CAP, GREASE ZERK	4	
15	26137-002	ACME SCREW	1	
16	2621	ZERK, GREASE STR 1/4 - 28	1	
17	29408-352	JACK ARM (SUPPORT TUBE)	1	
18	0205	SCREW, HHCS 3/8 - 16 X 1-1/4	8	
19	0166A	LOCKWASHER, 3/8	8	
20	10136	FLATWASHER 3/8	8	
21	6014B	COTTER PIN 3/32 X 1	1	
22	08326-019	PIN 3/8 X 2-5/16	1	
23	07402-024	ROLL PIN 1/8 X 1-1/2	2	
24	26120-352	WHEEL BASE ASSEMBLY	1	
25	23666-001	CLAMP & BEARING ASSEMBLY	2	
25A	11138	CLAMP ASSEMBLY	2	
25B	11149	BEARING	2	
26	23668-001	REAR WHEEL, (6 X 2 ELECTRIC MODEL)	2	
26	28086-001	REAR WHEEL, (8X2 GAS MODEL)	2	
27	26133-001	LOCKING COLLAR	4	
28	8151	FLATWASHER, 3/4	6	
29	26121-001	FRONT WHEEL	2	
30	29013-001	1-1/2" BOX WRENCH	1	
31	25677	SPACER, REAR AXLE BEARING	2	

MQ STREET PRO 1 SAW — BLADE ASSEMBLY & WATER SYSTEM

BLADE ASSEMBLY & WATER SYSTEM



▲ 1 PULLEY ASSEMBLY.
SEE PAGE 30.

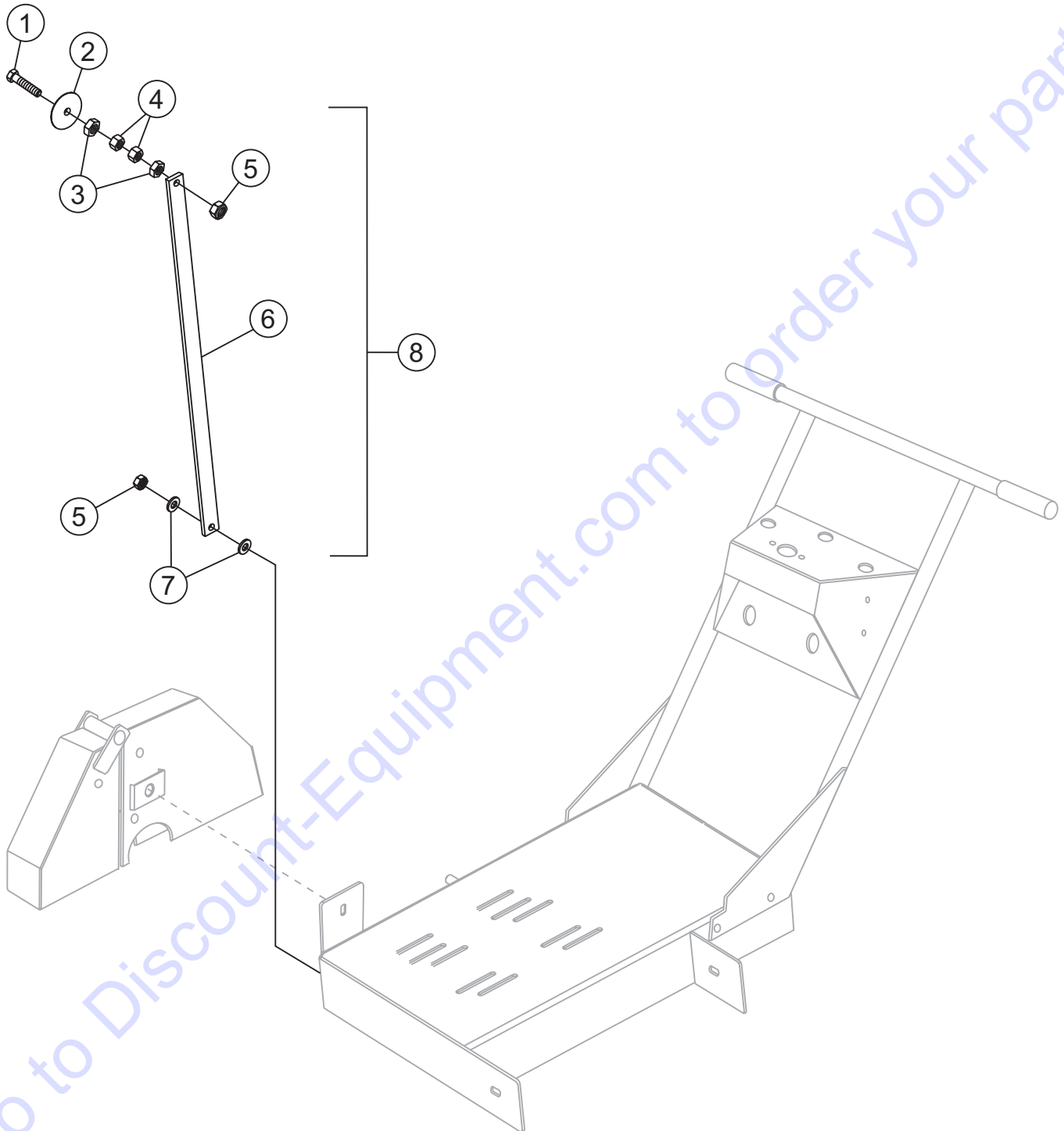
MQ STREET PRO 1 SAW — BLADE ASSEMBLY & WATER SYSTEM

BLADE ASSEMBLY & WATER SYSTEM

<u>NO.</u>	<u>PART NO.</u>	<u>PART NAME</u>	<u>QTY.</u>	<u>REMARKS</u>
1	22129-001	CLAMP	2	
2	0948	FLATWASHER, 1/4	5	
3	0181B	LOCK WASHER 1/4	5	
4	0949	HEX NUT 1/4 - 20	5	
5	0424	SCREW, HHCS 1/4 - 20 X 1	4	
6	29406-753	BLADE GUARD 18" RED (GAS)	1	
6	29406-752	BLADE GUARD 16" RED (ELECT.)	1	
7	18626-001	SPRING	2	
8	23255-011	HOSE 26"	1	
9	23566-001	BARBED FITTING 90 DEG.	1	
10	35122-402	VALVE	1	
11	11708	NIPPLE 1/2	1	
12	16378-005	U-BOLT 1/4	1	
13	23252-002	ELBOW 1/2	1	
14	26134-001	CONNECTOR, GARDEN HOSE	1	
15	13336-001	WASHER, RUBBER	1	
16	12694-006	HOSE CLAMP	2	
17	24778-001	SWIVEL CONNECTOR	1	
18	24642-001	Y-FITTING	1	
19	12694-004	HOSE CLAMP	2	
20	60021	HOSE, 1.0 FT.	2	SOLD PER FOOT
21	0131A	SCREW, HHCS 1/4 - 20 X 3/4	2	
22	28729-005	CHIP GUARD	1	
23	10930	FENDER WASHER 1/4	2	
24	10024	LOCKNUT, 1/4 - 20	2	
25	10136	FLATWASHER 3/8	6	
26	0166A	LOCKWASHER 3/8	2	
27	06501-032	SCREW, HHCS 3/8 - 16 X 4	1	
28	0205	SCREW, HHCS 3/8 - 16 X 1	1	
29	06922-003	NUT L.H. 1 - 1/4	1	
30	24894-020	DOWEL PIN 3/8 X 1-1/4	2	
31	26928-004	FLANGE, OUTER	1	
32	28811-001	FLANGE, INNER	1	
33	4001	FLATWASHER	4	
34	1284	SCREW, HHCS 3/8 - 16 X 1-1/2	4	
35	3200	BEARING	2	
36	0125	WOODRUFF KEY 1/4 X 1	1	
37	1162A	CAP, GREASE ZERK	2	
38	26135-002	SPINDLE	1	
39	9152	KEY 1/4 X 1-3/4	1	
40	2621	GREASE ZERK	2	
41		BLADE, DIAMOND BACK	1 CONTACT DISCOUNT-EQUIPMENT.

MQ STREET PRO 1 SAW — POINTER ASSEMBLY

POINTER ASSEMBLY



MQ STREET PRO 1 SAW — POINTER ASSEMBLY

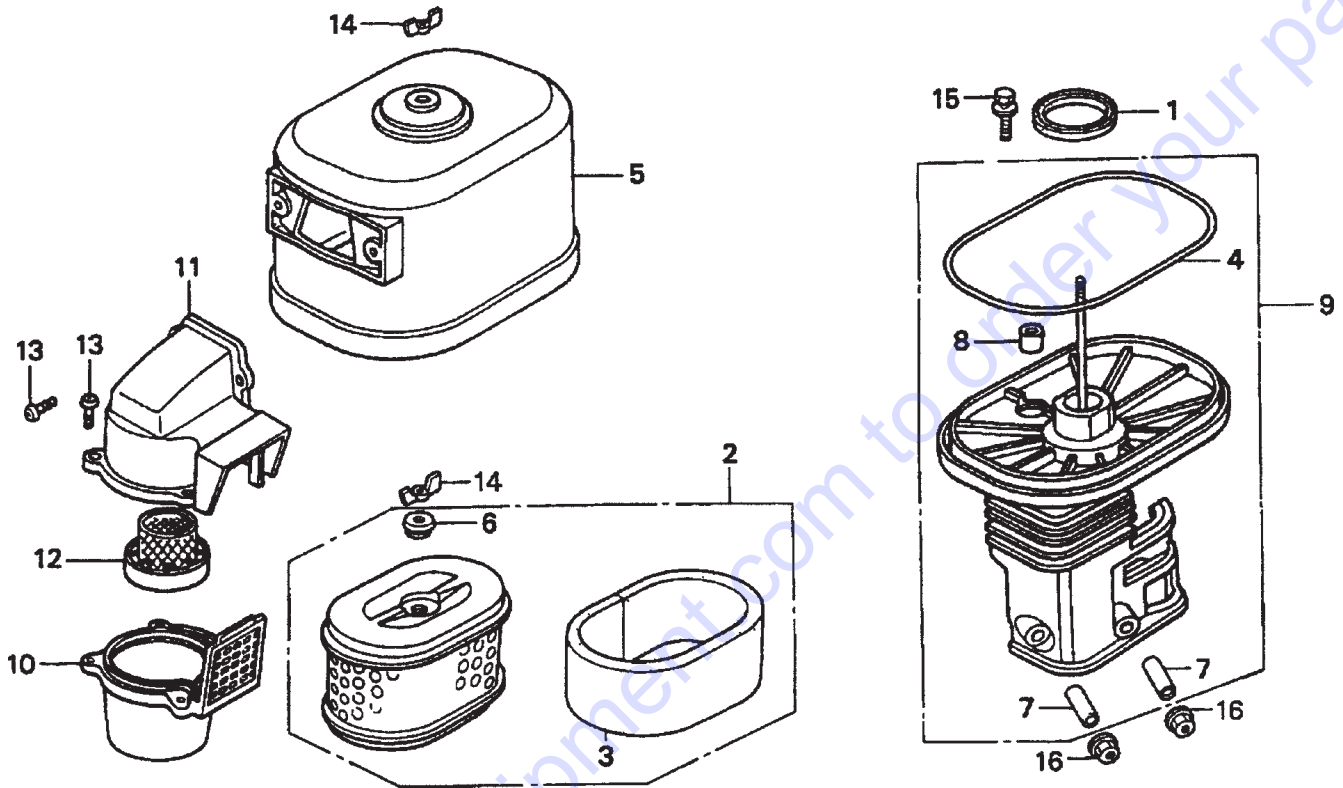
POINTER ASSEMBLY

<u>NO.</u>	<u>PART NO.</u>	<u>PART NAME</u>	<u>QTY.</u>	<u>REMARKS</u>
1	21017	SCREW, POINTER ARM	1	
2	29043-001	WHEEL, POINTER	1	
3	1007	NUT, HEX JAM 3/8 - 16	2	
4	1456	NUT, HEX FINISH 3/8 - 16	2	
5	10133	NUT, NYLOC 3/8 - 16	2	
6	27073-001	ARM, POINTER	1	
7	10136	WASHER, FLAT 3/8	2	
8	29042-501	INDICATOR ASSEMBLY	1	

Go to Discount-Equipment.com to order your parts

HONDA GX390K1QWT2/GX390U1QWT2 ENG. — AIR CLEANER ASSY.

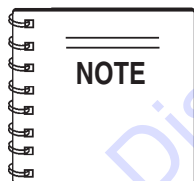
AIR CLEANER ASSY.



HONDA GX390K1QWT2/GX390U1QWT2 ENG. — AIR CLEANER ASSY.

AIR CLEANER ASSY.

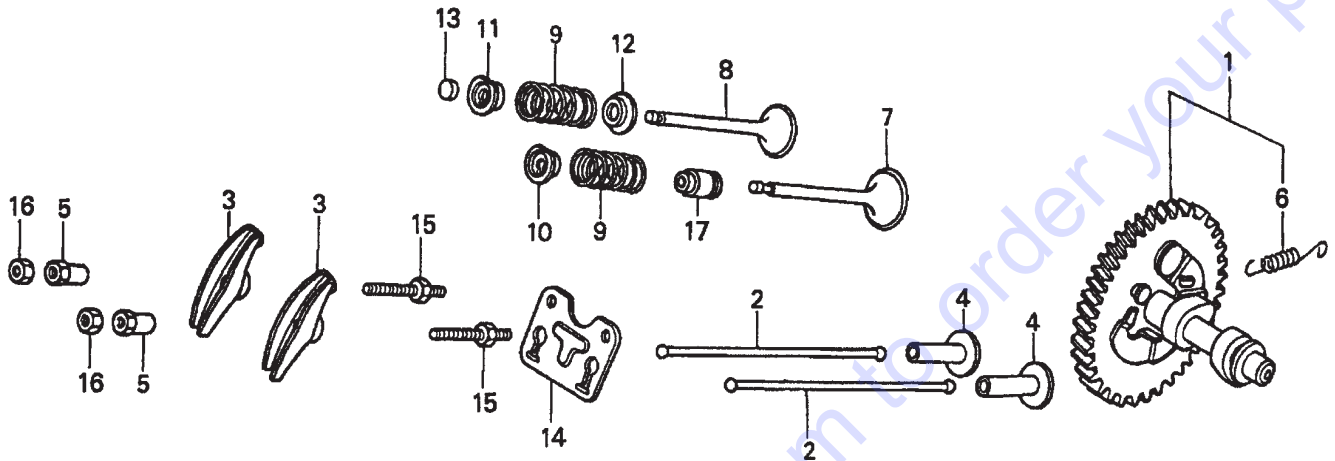
<u>NO.</u>	<u>PART NO.</u>	<u>PART NAME</u>	<u>QTY.</u>	<u>REMARKS</u>
1✘	16271ZE2000	GASKET, ELBOW	1	
1◇	16271ZE2010	GASKET, ELBOW	1	
2	17210ZE3010	ELEMENT, AIR CLEANER	1	INCLUDES ITEMS W/*
3*	17218ZE3000	FILTER, OUTER	1	
4#	17219ZE3840	SEAL, AIR CLEANER COVER	1	
5	17230ZE3841	COVER, AIR CLEANER (CYCLONE)	1	
6*	17232891000	GROMMET, AIR CLEANER	1	
7#	17238ZE2310	COLLAR, AIR CLEANER	2	
8#	17239ZE3840	COLLAR B, AIR CLEANER	1	
9	17410ZE3840	ELBOW, AIR CLEANER	1	INCLUDES ITEMS W/#
10✘	17470ZE3841	CASE, PRE AIR CLEANER	1	
10◇	17470ZE3842	CASE, PRE AIR CLEANER	1	
11	17475ZE3841	CAP, PRE AIR CLEANER	1	
12	17476ZE3841	GUIDE, PRE AIR CLEANER	1	
13	90142MB0000	SCREW, PAN 5X16.5	5	
14	90325044000	WINGNUT, TOOL BOX SETTING	2	
15	90009ZE2003	BOLT- WASHER 6X22	1	
16	9405006000	NUT, FLANGE 6MM	2	



- ✘ GX390K1QWT2: Model S/N DECEMBER 2005 AND BELOW
- ◇ GX390U1QWT2: Model S/N JANUARY 2006 AND ABOVE

HONDA GX390K1QWT2/GX390U1QWT2 ENG. — CAMSHAFT ASSY.

CAMSHAFT ASSY.



Go to Discount-Equipment.com to order your parts

HONDA GX390K1QWT2/GX390U1QWT2 ENG. — CAMSHAFT ASSY.

CAMSHAFT ASSY.

<u>NO.</u>	<u>PART NO.</u>	<u>PART NAME</u>	<u>QTY.</u>	<u>REMARKS</u>
1	14100ZF6W01	CAMSHAFT ASSEMBLY	1	INCLUDES ITEM W/*
2	14410ZE3013	ROD, PUSH	2	
3	14431ZE2010	ARM, VALVE ROCKER	2	
4	14441ZE2000	LIFTER, VALVE	2	
5	14451ZE1013	PIVOT, ROCKER ARM	2	
6*	14568ZE1000	SPRING, WEIGHT RETURN	1	
7	14711ZE3000	VALVE, INTAKE	1	
8	14721ZE3000	VALVE, EXHAUST	1	
9	14751ZE2003	SPRING, VALVE	2	
10	14771ZE2000	RETAINER,INTAKE VALVE SPRING	1	
11	14773ZE2000	RETAINER, EXHAUST VALVE SPRING	1	
12	14775ZE2010	SEAT, VALVE SPRING	1	
13	14781ZE2000	ROTATOR, VALVE	1	
14	14791ZE2010	PLATE, PUSH ROD GUIDE	1	
15	90012ZE0010	BOLT, PIVOT 8MM	2	
16	90206ZE1000	NUT, PIVOT ADJ.	2	
17	12209ZE8003	SEAL, VALVE STEM	1	

Go to Discount-Equipment.com to order your parts

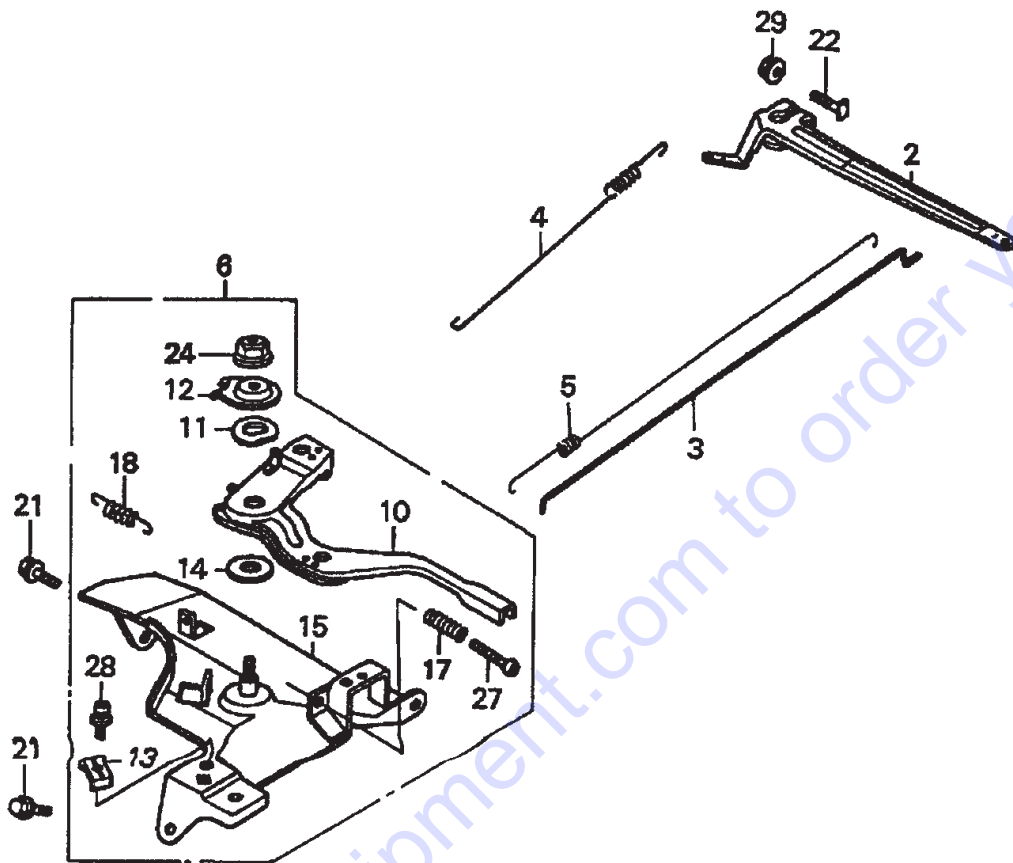
HONDA GX390K1QWT2/GX390U1QWT2 ENG. — CARBURETOR ASSY.

CARBURETOR ASSY.

<u>NO.</u>	<u>PART NO.</u>	<u>PART NAME</u>	<u>QTY.</u>	<u>REMARKS</u>
1	16010ZE2812	CARBURETOR, GASKET SET	1	INCLUDES ITEMS W/+
2\$	16011ZA0931	VALVE SET, FLOAT	1	
3\$	16013ZA0931	FLOAT SET	1	
4\$	16015ZE8005	CHAMBER SET, FLOAT	1	INCLUDES ITEM 4A
			INCLUDES ITEM W/>
4A+		GASKET, CHAMBER SET FLOAT		NOT SOLD SEPARATELY
5\$	16016ZH7W01	SCREW SET, PILOT	1	
6\$>	16024ZE1811	SCREW SET, DRAIN,	1	INCLUDES ITEM 6A
6A+		GASKET, SCREW SET DRAIN		NOT SOLD SEPARATELY
7\$	16028ZE0005	SCREW SET	1	INCLUDES ITEM 7A
7A+		GASKET, SCREW SET		NOT SOLD SEPARATELY
8\$	16044ZE3W20	CHOKE SET	1	
9\$	16100ZF6V21	CARBURETOR ASSY. (BE85C B)	1	INCLUDES ITEMS W/\$
10\$	16124ZE0005	SCREW, THROTTLE STOP	1	
11\$	16166ZF6W10	NOZZLE, MAIN	1	
12\$+	16173001004	GASKET, FUEL STRAINER CUP	1	
13	16211ZF6000	INSULATOR, CARBURETOR	1	
14	16220ZA0702	SPACER, CARBURETOR	1	
15	16221ZF6800	GASKET, CARBURETOR	1	
16	16223ZE3W00	GASKET, INSULATOR	1	
20	16610ZE1000	LEVER, CHOKE (STD)	1	INCLUDES ITEM W/*
22\$	16953ZE1812	LEVER, VALVE	1	
23\$	16954ZE1812	PLATE, LEVER SETTING	1	
24\$	16956ZE1811	SPRING, VALVE LEVER	1	
25\$+	16957ZE1812	GASKET, VALVE	1	
26\$	16967ZE0811	CUP, FUEL STRAINER	1	
28\$	93500030061H	SCREW, PAN (3X6)	2	
31*	9430520122	PIN, SPRING (2X12)	1	
33\$	99101ZH80950	JET, MAIN (#95) (OPTIONAL)	1	
33\$	99101ZH80980	JET, MAIN (#98) (OPTIONAL)	1	
33\$	99101ZH81000	JET, MAIN (#100)	1	
34\$	99204ZA00450	JET SET, PILOT (#45)	1	INCLUDES ITEM 34A
34A+		GASKET, JET SET PILOT (#45)		NOT SOLD SEPARATELY
35\$	16172ZE3W10	COLLAR, SET	1	

HONDA GX390K1QWT2/GX390U1QWT2 ENG. — CONTROL ASSY.

CONTROL ASSY.



HONDA GX390K1QWT2/GX390U1QWT2 ENG. — CONTROL ASSY.

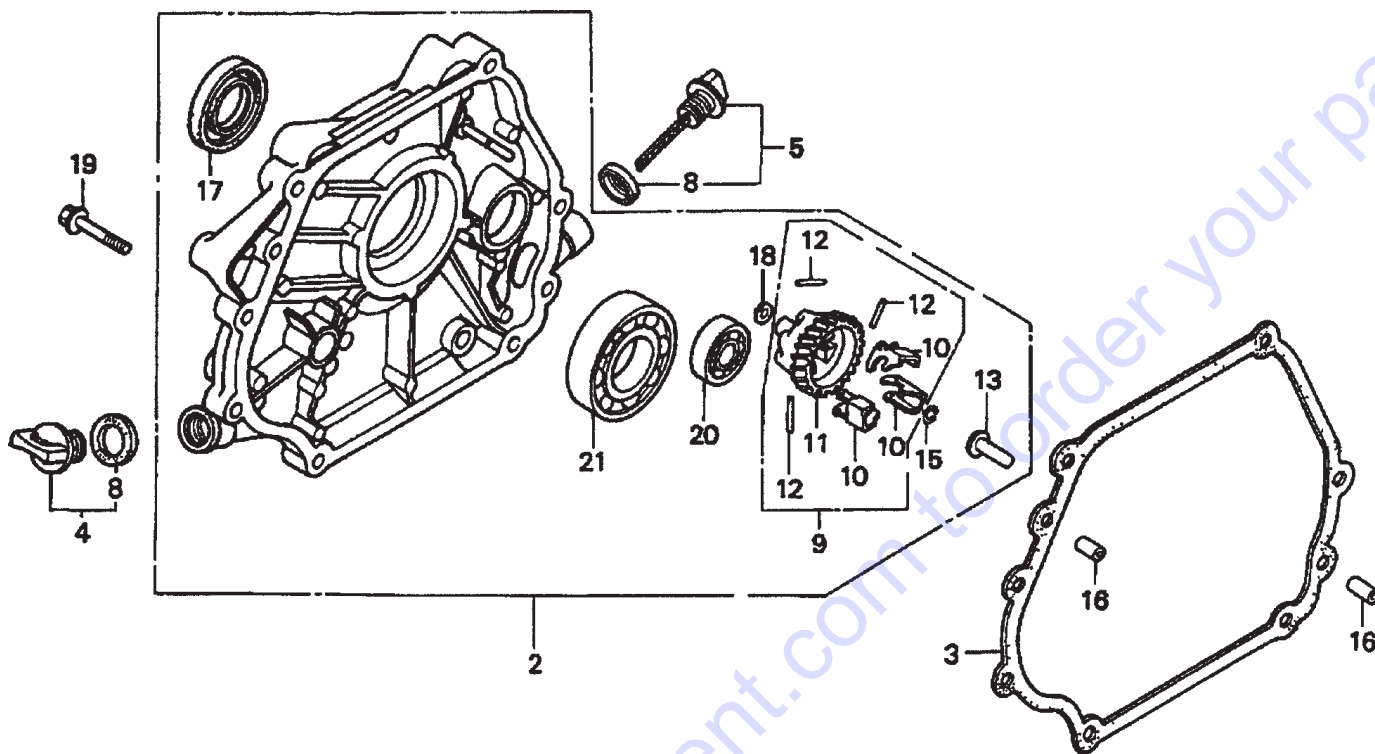
CONTROL ASSY.

<u>NO.</u>	<u>PART NO.</u>	<u>PART NAME</u>	<u>QTY.</u>	<u>REMARKS</u>
2	16551ZE3000	ARM, GOVERNOR	1	
3	16555ZE3000	ROD, GOVERNOR	1	
4	16561ZE3000	SPRING, GOVERNOR	1	
5	16562ZE3000	SPRING, THROTTLE RETURN	1	
6	16570ZE3W20	CONTROL ASSY. (REMOTE)	1	INCLUDES ITEMS W/*
10*	16571ZE3W00	LEVER, CONTROL	1	
11*	16574ZE1000	SPRING, LEVER	1	
12*	16575ZE2W00	WASHER, CONTROL LEVER	1	
13*	16576891000	HOLDER, CABLE	1	
14*	16578ZE1000	SPACER, CONTROL LEVER	1	
15*	16581ZE3W00	BASE, CONTROL	1	
17*	16584883300	SPRING, CONTROL ADJUSTING	1	
18*	16592883310	SPRING, CABLE RETURN	1	
21	90013883000	BOLT, FLANGE (6X12) (CT200)	2	
22	90015ZE5010	BOLT, GOVERNOR ARM	1	
24*	90114SA0000	NUT, SELF-LOCK (6MM)	1	
27*	93500050320A	SCREW, PAN (5X32)	1	
28*	93500050160A	SCREW, PAN (5X16)	1	
29	9405006000	NUT, FLANGE (6MM)	1	

Go to Discount-Equipment.com to order your parts

HONDA GX390K1QWT2/GX390U1QWT2 ENG. — CRANKCASE ASSY.

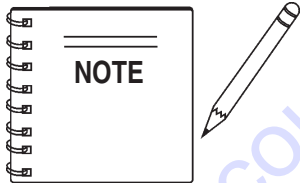
CRANKCASE COVER ASSY.



HONDA GX390K1QWT2/GX390U1QWT2 ENG. — CRANKCASE ASSY.

CRANKCASE COVER ASSY.

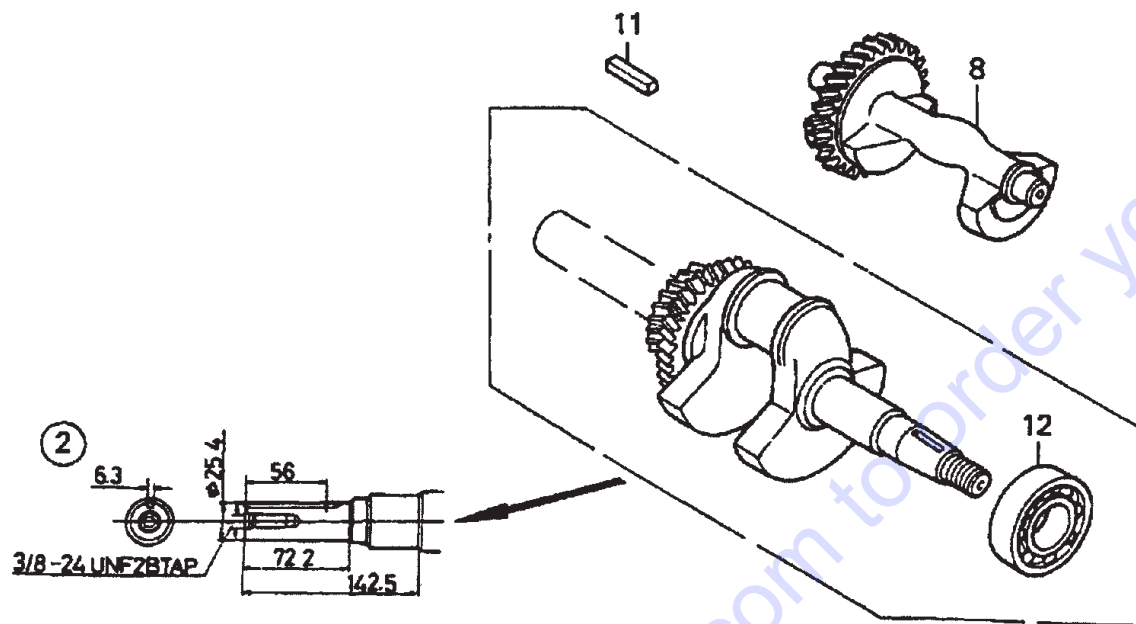
<u>NO.</u>	<u>PART NO.</u>	<u>PART NAME</u>	<u>QTY.</u>	<u>REMARKS</u>
2✘	11300ZE3602	COVER ASSY., CRANKCASE	1	S/N 3287256 AND BELOW INCLUDES ITEMS W/>
2✘	11300ZE3604	COVER ASSY., CRANKCASE	1	S/N 3287257 AND ABOVE INCLUDES ITEMS W/%
2◇	11300ZE3604	COVER ASSY., CRANKCASE	1	INCLUDES ITEMS W/\$
3	11381ZE3801	GASKET, CASE COVER	1	
4	15600ZG4003	CAP ASSY., OIL FILLER	1	INCLUDES ITEM W/#
5	15600735003	CAP ASSY., OIL FILLER	1	INCLUDES ITEM W/*
8#*	15625ZE1003	GASKET, OIL FILLER CAP	2	
9	16510ZE3000	GOVERNOR ASSY.....	1	INCLUDES ITEMS W/+
10>%\$+	16511ZE8000	WEIGHT, GOVERNOR	3	
11>%\$+	16512ZE3000	HOLDER, GOVERNOR WEIGHT	1	
12>%\$+	16513ZE2000	PIN, GOVERNOR WEIGHT	3	
13✘>%\$	16531ZE2000	SLIDER, GOVERNOR	1	S/N 3287256 AND BELOW
13✘>%\$	16531Z0A000	SLIDER, GOVERNOR	1	S/N 3287257 AND ABOVE
13◇>%\$	16531Z0A000	SLIDER, GOVERNOR	1	
15>%\$	90602ZE1000	CLIP, GOVERNOR HOLDER	1	
16	90701HC4000	PIN, DOWEL (8X12)	2	
17>%\$	91201ZE3004	OIL SEAL (35X52X8)	1	
18>%\$	9410106800	WASHER, PLAIN (6MM)	1	
19	957010804000	BOLT, FLANGE (8X40)	7	
20>%\$	961006202000	BEARING, RADIAL BALL (6202)	1	
21>%\$	961006207000	BEARING, RADIAL BALL (6207)	1	



- ✘ GX390K1QWT2: Model S/N DECEMBER 2005 AND BELOW
- ◇ GX390U1QWT2: Model S/N JANUARY 2006 AND ABOVE

HONDA GX390K1QWT2/GX390U1QWT2 ENG. — CRANKSHAFT ASSY.

CRANKSHAFT ASSY.

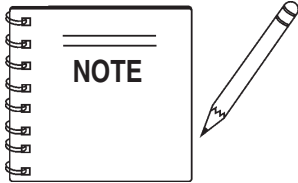


Go to Discount-Equipment.com to order your parts

HONDA GX390K1QWT2/GX390U1QWT2 ENG. — CRANKSHAFT ASSY.

CRANKSHAFT ASSY.

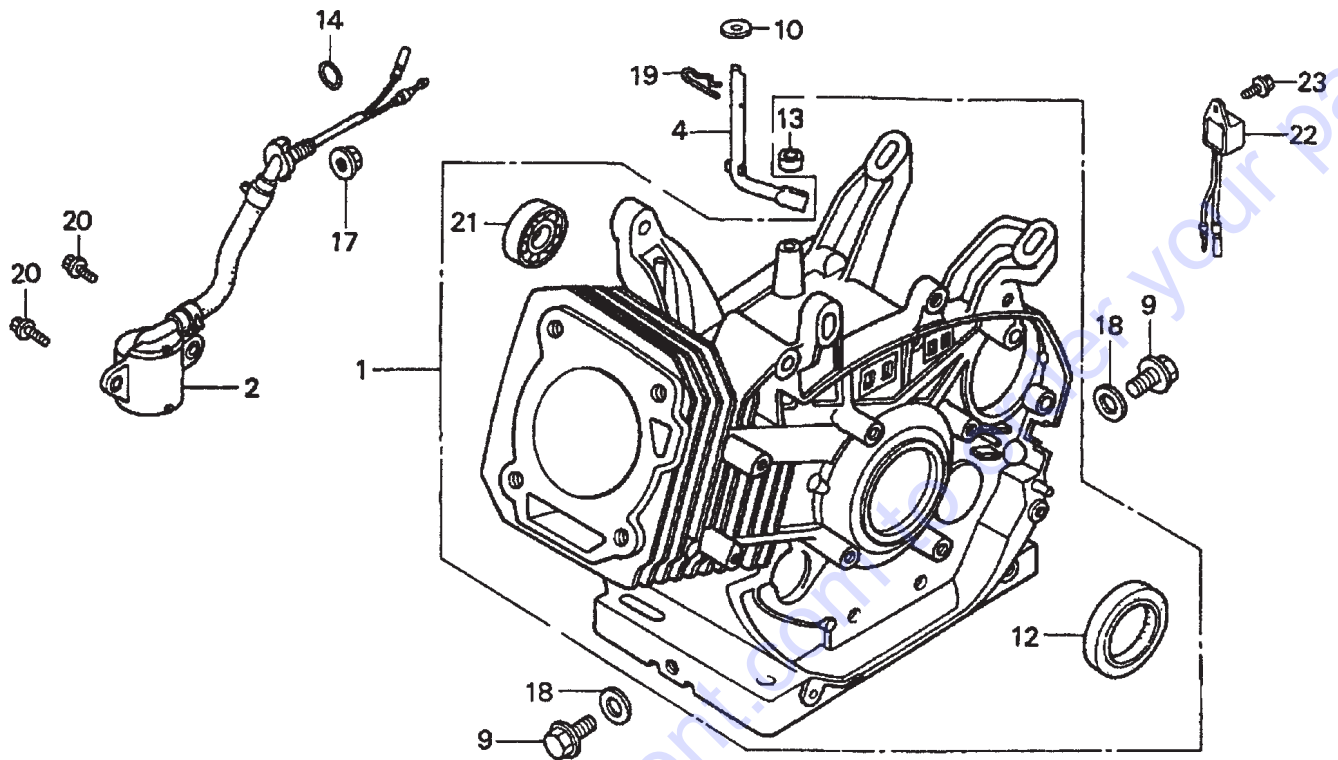
<u>NO.</u>	<u>PART NO.</u>	<u>PART NAME</u>	<u>QTY.</u>	<u>REMARKS</u>
2✕	13310ZF6W10	CRANKSHAFT	1	INCLUDES ITEM W/*
2◇	13310ZF6W11	CRANKSHAFT	1	INCLUDES ITEM W/#
			S/N 1113739 AND BELOW
2◇	13310ZF6W12	CRANKSHAFT	1	INCLUDES ITEM W/+
			S/N 1113740 AND ABOVE
8	13351ZE3010	WEIGHT, BALANCER	1	
11	90745ZE2600	KEY(6.3X6.3X43)	1	
12✕*	91001ZF6003	BEARING, RADIAL BALL (6207S)	1	
12◇#	91001ZF6003	BEARING, RADIAL BALL (6207S)	1	S/N 1113739 AND BELOW
12◇+	91001ZF6013	BEARING, RADIAL BALL (6207SH)	1	S/N 1113740 AND ABOVE



- ✕ GX390K1QWT2: Model S/N DECEMBER 2005 AND BELOW
- ◇ GX390U1QWT2: Model S/N JANUARY 2006 AND ABOVE

HONDA GX390K1QWT2/GX390U1QWT2 ENG. — CYLINDER BARREL ASSY.

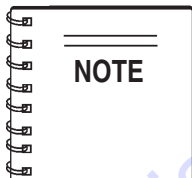
CYLINDER BARREL ASSY.



HONDA GX390K1QWT2/GX390U1QWT2 ENG. — CYLINDER BARREL ASSY.

CYLINDER BARREL ASSY.

<u>NO.</u>	<u>PART NO.</u>	<u>PART NAME</u>	<u>QTY.</u>	<u>REMARKS</u>
1✘	12000ZF6W13	CYLINDER ASSY. (ALERT)	1	INCLUDES ITEMS W/%
1◇	12000ZF6417	CYLINDER ASSY.	1	INCLUDES ITEMS W/#
2✘	15510ZE2043	SWITCH ASSY., OIL LEVEL	1	
2◇	15510ZE2043	SWITCH ASSY., OIL LEVEL	1	S/N 1412956 AND BELOW
2◇	15510ZE2053	SWITCH ASSY., OIL LEVEL	1	S/N 1412957 AND ABOVE
4	16541ZE3010	SHAFT, GOVERNOR ARM	1	
9	90131883000	BOLT, DRAIN PLUG 12X15	2	
10	90446KE1000	WASHER (8.2X17X0.8)	1	
12%#	91201ZE3004	OIL SEAL (35X52X8)	1	
13	91203952771	OIL SEAL (8X14X5)	1	
14	91353671004	O-RING (14MM) (NOK)	1	
17	9405010000	NUT, FLANGE (10MM)	1	
18	9410912000	WASHER, DRAIN PLUG (12MM)	2	
19	9425110000	PIN, LOCK (10MM)	1	
20	957010601200	BOLT, FLANGE (6X12)	2	
21%#	961006202000	BEARING, RADIAL BALL (6202)	1	
22✘	34150ZH7003	ALERT UNIT, OIL	1	
22◇	34150ZH7003	ALERT UNIT, OIL	1	S/N 1419413 AND BELOW
22◇	34150ZH7013	ALERT UNIT, OIL	1	S/N 1419414 AND ABOVE
23	90013883000	BOLT, FLANGE (6X12) (CT200)	1	

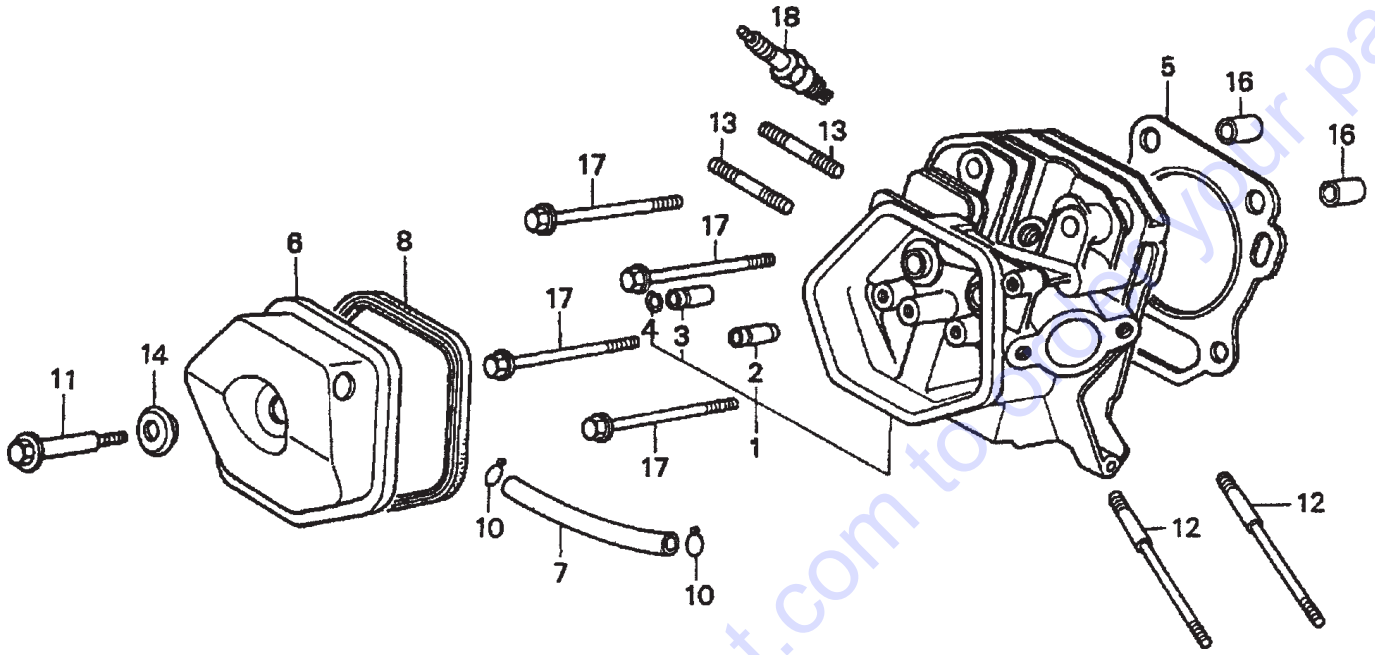


✘ GX390K1QWT2: Model S/N DECEMBER 2005 AND BELOW

◇ GX390U1QWT2: Model S/N JANUARY 2006 AND ABOVE

HONDA GX390K1QWT2/GX390U1QWT2 ENG. — CYLINDER HEAD ASSY.

CYLINDER HEAD ASSY.

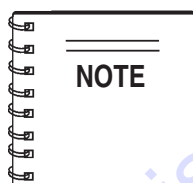


Go to Discount-Equipment.com to buy your parts

HONDA GX390K1QWT2/GX390U1QWT2 ENG. — CYLINDER HEAD ASSY.

CYLINDER HEAD ASSY.

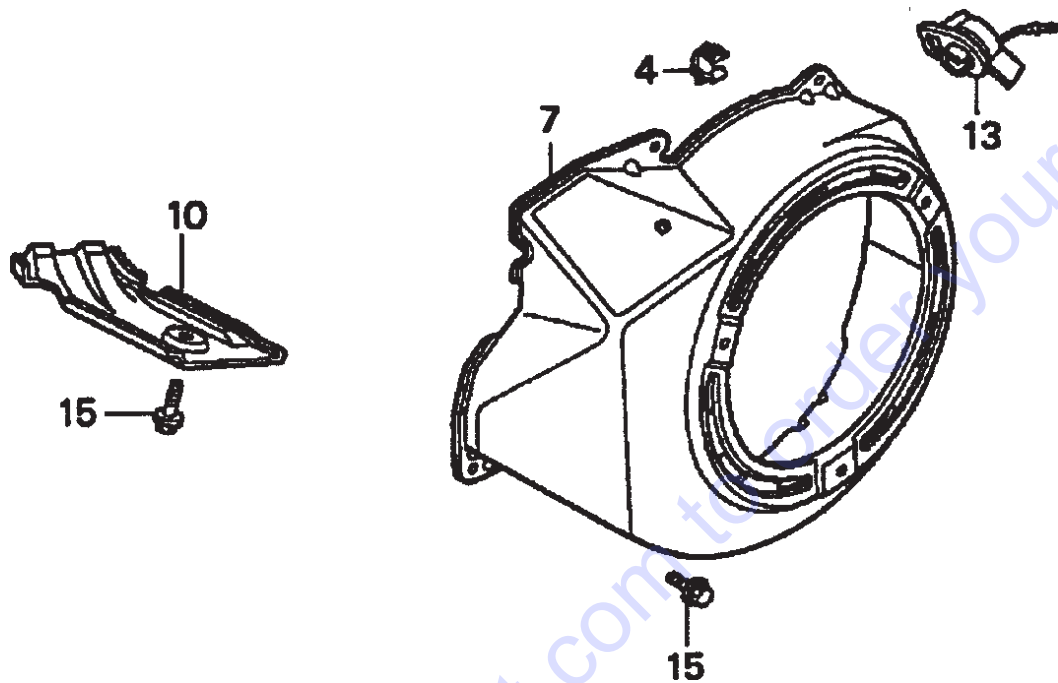
NO.	PART NO.	PART NAME	QTY.	REMARKS
1✖	12200ZF6W01	CYLINDER HEAD	1	INCLUDES ITEMS W/*
1◇	12200ZF6406	CYLINDER HEAD	1	INCLUDES ITEMS W/%
2*%	12204ZE2306	GUIDE, VALVE (OS) (OPTIONAL)	1	
3*%	12205ZE2305	GUIDE, EX. VALVE (OS) (OPTIONAL)	1	
4*%	12216ZE2300	CLIP, VALVE GUIDE	1	
5	12251ZF6W00	GASKET, CYLINDER HEAD	1	
6	12310ZE3791	COVER, HEAD	1	
7	12315ZE3840	TUBE, BREATHER	1	
8	12391ZE2020	GASKET, CYLINDER HEAD COVER	1	
10	17316611000	CLIP, BREATHER TUBE	2	
11	90014ZE2000	BOLT, HEAD COVER	1	
12	90042ZE8000	BOLT, STUD (8X131.5)	2	
13	92900080320E	BOLT 2, STUD (8X32)	2	
14	90441ZE2010	WASHER, HEAD COVER	1	
16	9430112200	PIN A, DOWEL (12X20)	2	
17✖	957251008000	BOLT, FLANGE (10X80)	4	
17◇	957251008000	BOLT, FLANGE (10X80)	4	S/N 1411816 AND BELOW
17◇	957011008000	BOLT, FLANGE (10X80)	4	S/N 1411817 AND ABOVE
18	9807955846	SPARK PLUG (BPR5ES) (NGK) (OPT.)	1	
18	9807955855	SPARK PLUG (W16EPR-U) (DENSO)	1	
18	9807956846	SPARK PLUG (BPR6ES) (NGK)	1	
18	9807956855	SPARK PLUG (W20EPR-U) (DENSO)	1	



- ✖ GX390K1QWT2: Model S/N DECEMBER 2005 AND BELOW
- ◇ GX390U1QWT2: Model S/N JANUARY 2006 AND ABOVE

HONDA GX390K1QWT2/GX390U1QWT2 ENG. — FAN COVER ASSY.

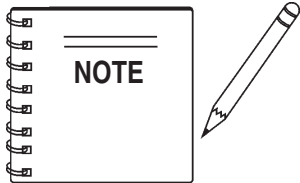
FAN COVER ASSY.



HONDA GX390K1QWT2/GX390U1QWT2 ENG. — FAN COVER ASSY.

FAN COVER ASSY.

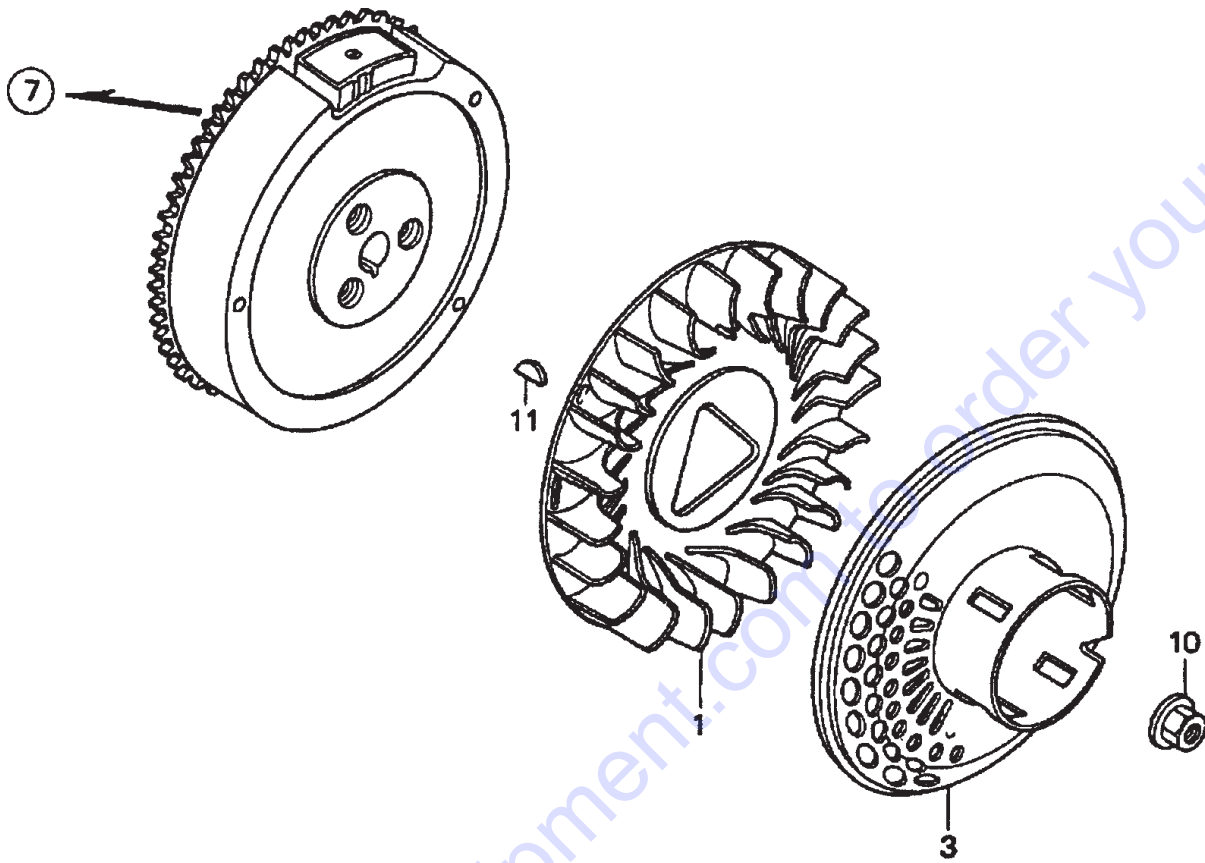
<u>NO.</u>	<u>PART NO.</u>	<u>PART NAME</u>	<u>QTY.</u>	<u>REMARKS</u>
4	16731ZE2003	CLIP, TUBE	1	
7	19610ZE3010ZB	COVER, FAN *NH1* (BLACK)	1	
10	19631ZE3W00	SHROUD	1	
13✖	36100ZH7003	SWITCH ASSY., ENGINE STOP	1	
13◇	36100ZF6P81	SWITCH ASSY., ENGINE STOP	1	S/N 1412956 AND BELOW
13◇	36100ZF6P82	SWITCH ASSY., ENGINE STOP	1	S/N 1412957 AND ABOVE
15	90013883000	BOLT, FLANGE (6X12) (CT200)	6	



- ✖ GX390K1QWT2: Model S/N DECEMBER 2005 AND BELOW
- ◇ GX390U1QWT2: Model S/N JANUARY 2006 AND ABOVE

HONDA GX390K1QWT2/GX390U1QWT2 ENG. — FLYWHEEL ASSY.

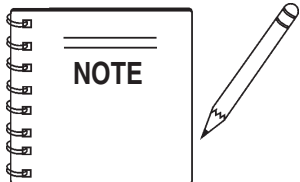
FLYWHEEL ASSY.



HONDA GX390K1QWT2/GX390U1QWT2 ENG. — FLYWHEEL ASSY.

FLYWHEEL ASSY.

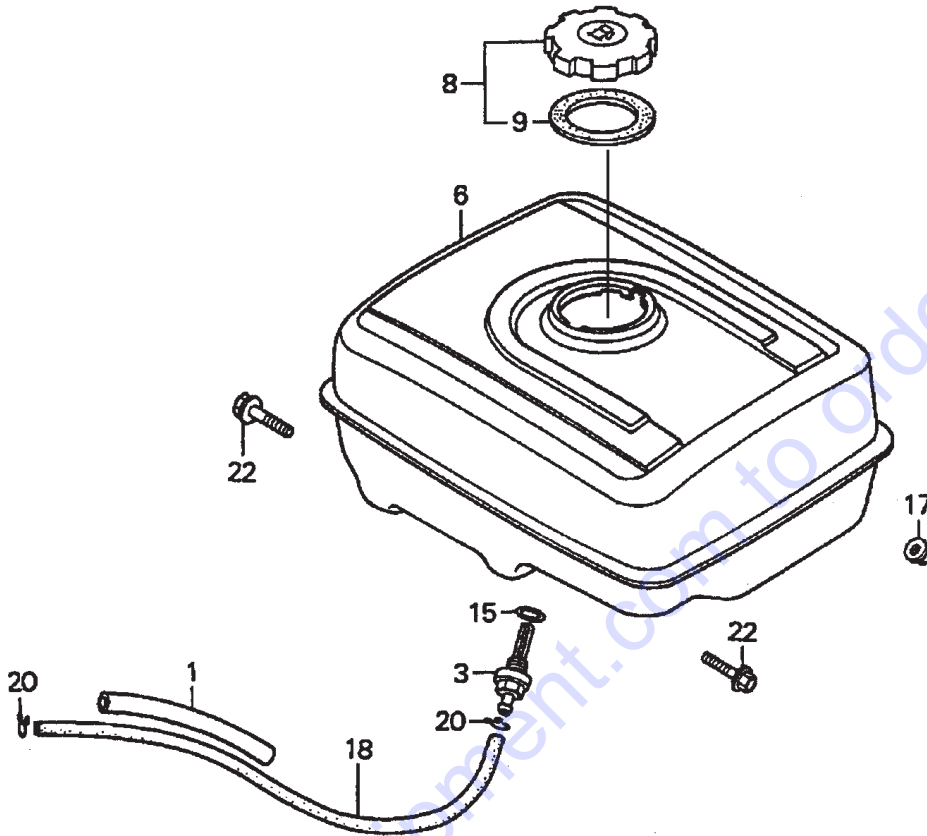
<u>NO.</u>	<u>PART NO.</u>	<u>PART NAME</u>	<u>QTY.</u>	<u>REMARKS</u>
1	19511ZE3000	FAN, COOLING	1	
3	28450ZE3W11	PULLEY, STARTER (SCREEN GRID)	1	
7	31100ZE3701	FLYWHEEL	1	
10✕	90201ZE3V00	NUT, SPECIAL (16MM) (1)	1	
10◇	90201ZE3V00	NUT, SPECIAL (16MM) (1)	1	S/N 1317976 AND BELOW
10◇	90201ZE3790	NUT, SPECIAL (16MM) (1)	1	S/N 1317977 AND ABOVE
11	90741ZE2000	KEY, SPECIAL WOODRUFF (25X18)	1	



- ✕ GX390K1QWT2: Model S/N DECEMBER 2005 AND BELOW
- ◇ GX390U1QWT2: Model S/N JANUARY 2006 AND ABOVE

HONDA GX390K1QWT2/GX390U1QWT2 ENG. — FUEL TANK ASSY.

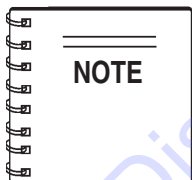
FUEL TANK ASSY.



HONDA GX390K1QWT2/GX390U1QWT2 ENG. — FUEL TANK ASSY.

FUEL TANK ASSY.

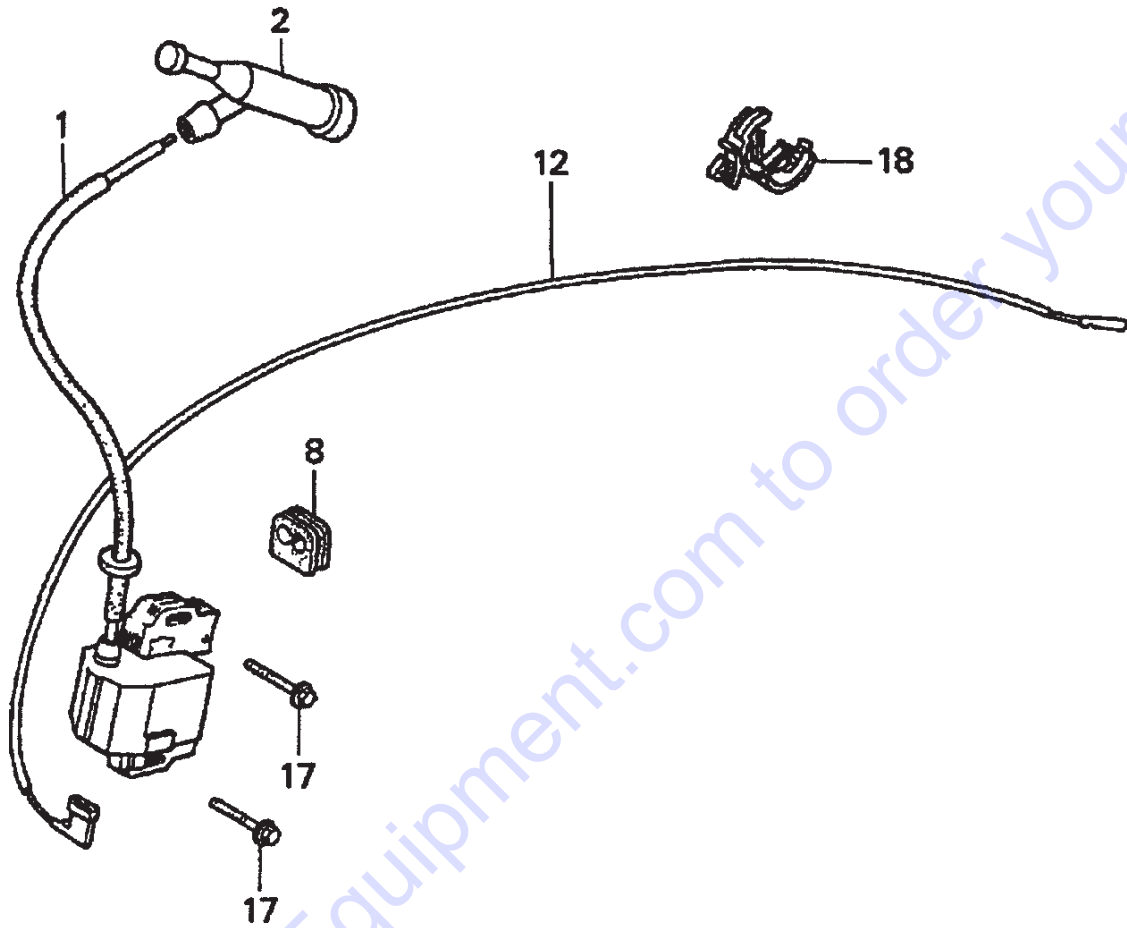
<u>NO.</u>	<u>PART NO.</u>	<u>PART NAME</u>	<u>QTY.</u>	<u>REMARKS</u>
1	16854ZH8000	RUBBER, SUPPORTER (107MM)	1	
3	16955ZE1000	JOINT, FUEL TANK	1	
6✖	17510ZE3010ZB	TANK, FUEL *NH1*	1	
6◇	17510ZE3020ZB	TANK, FUEL *NH1*	1	S/N 1213085 AND BELOW
6◇	17510ZE3800ZA	TANK, FUEL *NH1*	1	S/N 1213086 THRU 1383799
6◇	17510ZE3801ZA	TANK, FUEL *NH1*	1	S/N 1383800 AND ABOVE
8✖	17620ZH7023	CAP, FUEL FILLER (BLACK)	1	INCLUDES ITEM W/*
8◇	17620Z0T305	CAP, FUEL FILLER (CHROME PLATED)	1	INCLUDES ITEM W/#
9*	17631ZH7003	GASKET, FUEL FILLER CAP	1	
9#	17631Z0T812	GASKET, FUEL FILLER CAP 39X62X3	1	
15	91353671004	O-RING (14MM) (NOK)	1	
17	9405008000	NUT, FLANGE (8MM)	2	
18✖	950014523540	BULK HOSE, FUEL (4.5X235)	1	REPLACES 950014500160M
18◇	950014523540	BULK HOSE, FUEL (4.5X235)	1	REPLACES 950014500160M S/N 1105013 AND BELOW
18◇	91424Z5L801	BULK HOSE, FUEL (4.5X235) (FKM)	1	S/N 1105014 AND ABOVE
20✖	9500202080	CLIP, TUBE (B8)	2	
20◇	9500202080	CLIP, TUBE (B8)	2	S/N 1105013 AND BELOW
20◇	950024080008	CLAMP, TUBE (D8)	2	S/N 1105014 AND ABOVE
22	957010802500	BOLT, FLANGE (8X25)	2	



- ✖ GX390K1QWT2: Model S/N DECEMBER 2005 AND BELOW
- ◇ GX390U1QWT2: Model S/N JANUARY 2006 AND ABOVE

HONDA GX390K1QWT2/GX390U1QWT2 ENG. — IGNITION COIL ASSY.

IGNITION COIL ASSY.

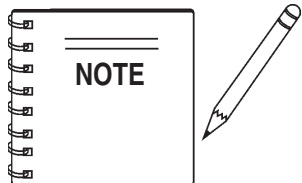


Go to Discount-Equipment.com to order your parts

HONDA GX390K1QWT2/GX390U1QWT2 ENG. — IGNITION COIL ASSY.

IGNITION COIL ASSY.

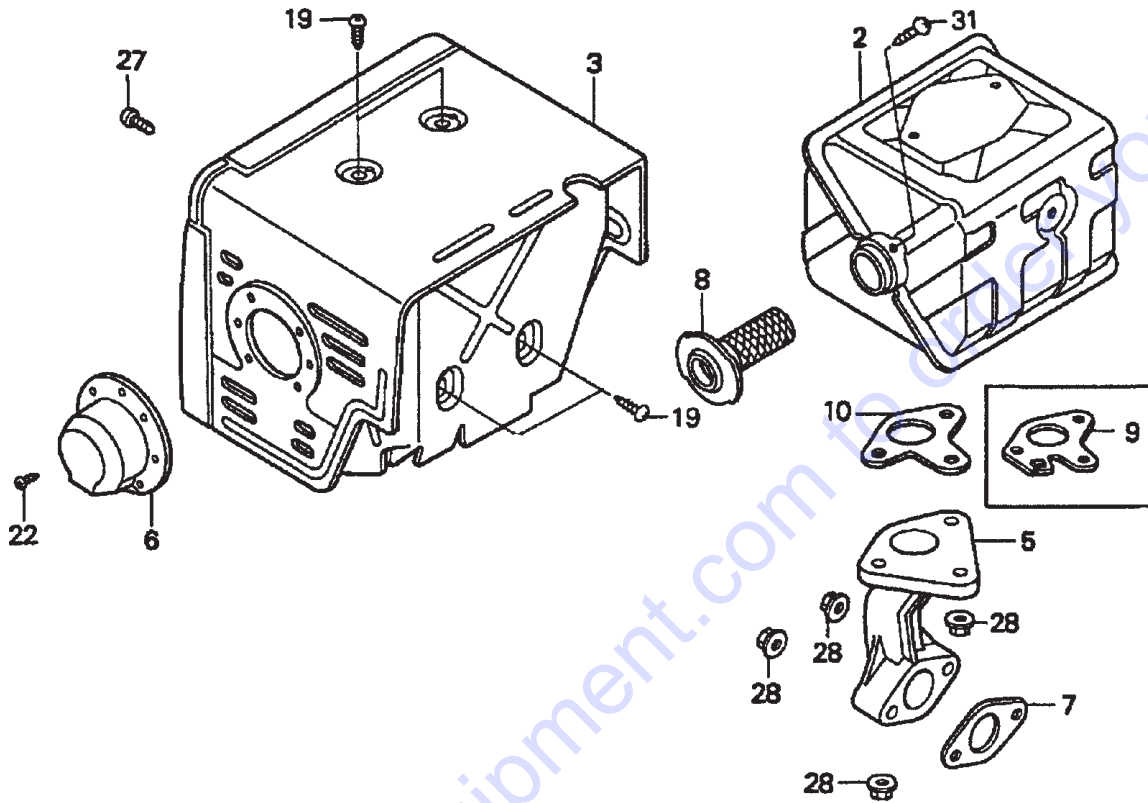
<u>NO.</u>	<u>PART NO.</u>	<u>PART NAME</u>	<u>QTY.</u>	<u>REMARKS</u>
1✕	30500ZF6W02	COIL ASSY., IGNITION	1	
1◇	30500ZF6W02	COIL ASSY., IGNITION	1.....	S/N 1411816 AND BELOW
1◇	30500ZF6W03	COIL ASSY., IGNITION	1.....	S/N 1411817 AND ABOVE
2	30700ZE1013	CAP ASSY., NOISE SUPPRESSOR	1	
8	31512ZE2000	GROMMET, WIRE	1	
12	36101ZE2701	WIRE, STOP SWITCH (430MM)	1	
17	90015883000	BOLT, FLANGE (6X28)	2	
18	90684ZA0601	CLIP, WIRE HARNESS	1	



- ✕ GX390K1QWT2: Model S/N DECEMBER 2005 AND BELOW
- ◇ GX390U1QWT2: Model S/N JANUARY 2006 AND ABOVE

HONDA GX390K1QWT2/GX390U1QWT2 ENG. — MUFFLER ASSY.

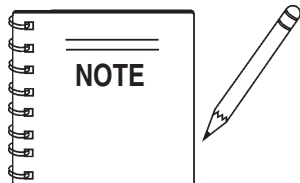
MUFFLER ASSY.



HONDA GX390K1QWT2/GX390U1QWT2 ENG. — MUFFLER ASSY.

MUFFLER ASSY.

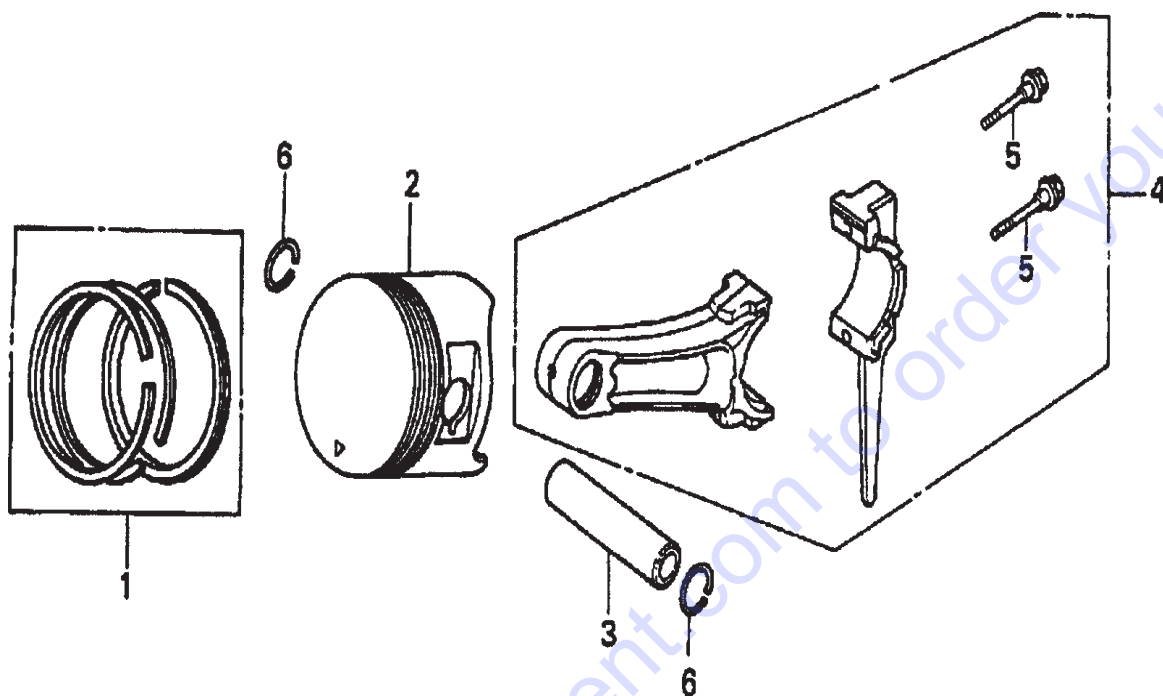
<u>NO.</u>	<u>PART NO.</u>	<u>PART NAME</u>	<u>QTY.</u>	<u>REMARKS</u>
2	18310ZE2W61	MUFFLER	1	
3	18320ZE2W61	PROTECTOR, MUFFLER	1	
5	18330ZE2W00	PIPE, EX.	1	
6✖	18331ZE3810	CAP, MUFFLER	1	
6◇	18331ZE3810	CAP, MUFFLER	1	S/N 1166160 AND BELOW
6◇	18331ZE3811	CAP, MUFFLER	1	S/N 1166161 AND ABOVE
7	18333ZF6W01	GASKET, EX. PIPE	1	
8	18355ZE2W00	ARRESTER, SPARK (OPTIONAL)	1	
9	18381ZE2W10	GASKET, MUFFLER (ARRESTER) (OPTIONAL)	1	
10	18381ZE2800	GASKET, MUFFLER	1	
19	90050ZE1000	SCREW, TAPPING (5X8)	4	
22	90055ZE1000	SCREW, TAPPING (4X6)	3	
27	90006ZE2000	SCREW, TAPPING (6X10)	1	
28	9405008000	NUT, FLANGE (8MM)	5	
31	90055ZE1000	SCREW, TAPPING (4X6)	1	



- ✖ GX390K1QWT2: Model S/N DECEMBER 2005 AND BELOW
- ◇ GX390U1QWT2: Model S/N JANUARY 2006 AND ABOVE

HONDA GX390K1QWT2/GX390U1QWT2 ENG. — PISTON ASSY.

PISTON ASSY.



HONDA GX390K1QWT2/GX390U1QWT2 ENG. — PISTON ASSY.

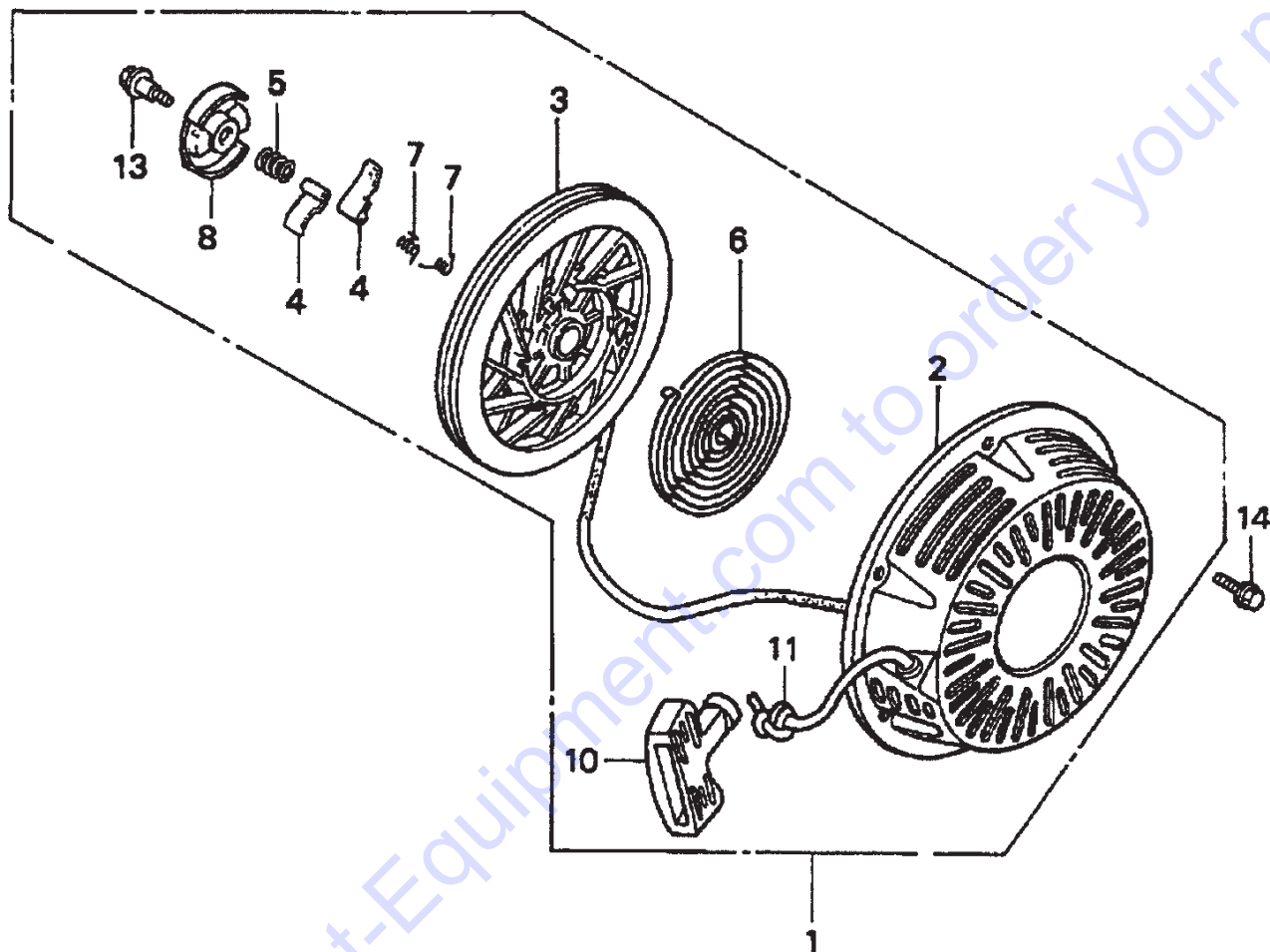
PISTON ASSY.

<u>NO.</u>	<u>PART NO.</u>	<u>PART NAME</u>	<u>QTY.</u>	<u>REMARKS</u>
1	13010ZF6005	RING SET, PISTON (STD)	1	
1	13011ZF6005	RING SET, PISTON (0.25)	1	
1	13012ZF6005	RING SET, PISTON (0.50)	1	
1	13013ZF6005	RING SET, PISTON (0.75)	1	
2	13101ZF6W00	PISTON (STD)	1	
2	13102ZF6W00	PISTON (0.25)	1	
2	13103ZF6W00	PISTON (0.50)	1	
2	13104ZF6W00	PISTON (0.75)	1	
3	13111ZF6W00	PIN, PISTON	1	
4	13200ZE3020	ROD ASSY., CONNECTING (STD)	1	INCLUDES ITEM W/*
4	13200ZE3315	ROD ASSY., CONNECTING (0.25 UNDERSIZE)	1	
5*	90001ZE8000	BOLT, CONNECTING ROD	2	
6	90601ZE3000	CLIP, PISTON PIN (20MM)	2	

Go to Discount-Equipment.com to order your parts

HONDA GX390K1QWT2/GX390U1QWT2 ENG. — RECOIL STATER ASSY.

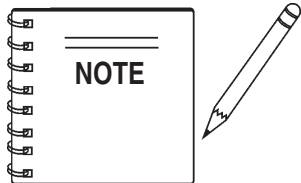
RECOIL STARTER ASSY.



HONDA GX390K1QWT2/GX390U1QWT2 ENG. — RECOIL STATER ASSY.

RECOIL STARTER ASSY.

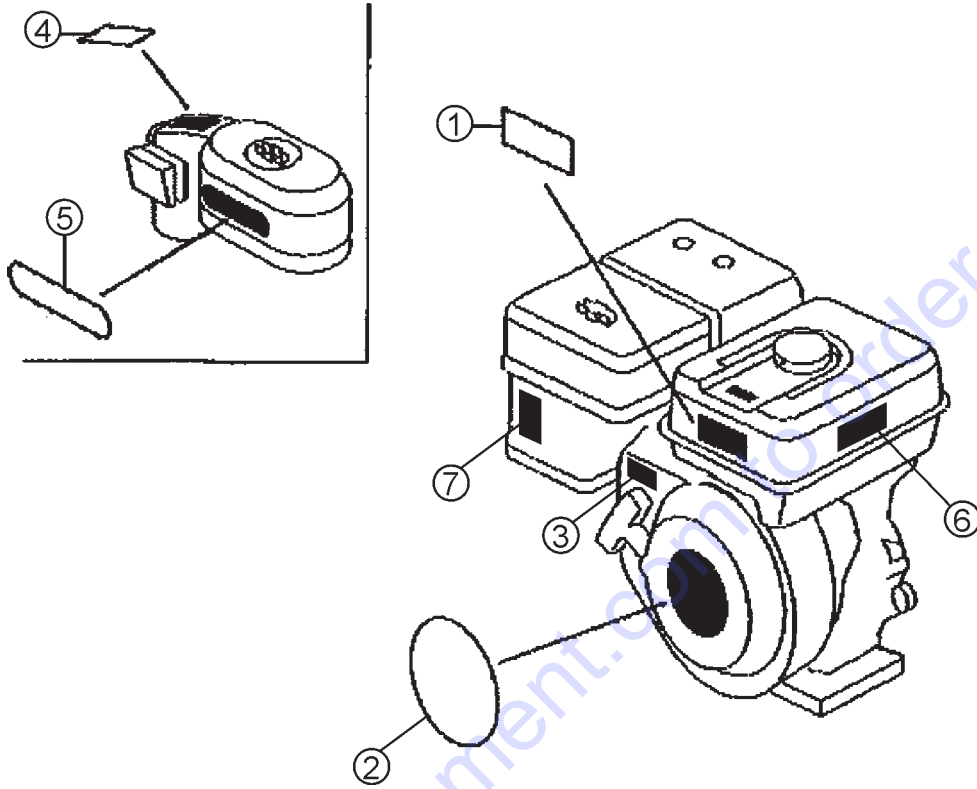
<u>NO.</u>	<u>PART NO.</u>	<u>PART NAME</u>	<u>QTY.</u>	<u>REMARKS</u>
1	28400ZE3W01ZB	STARTER ASSY., RECOIL *NH1* (BLACK)	1	INCLUDES ITEMS W/*
2*	28410ZE3W01ZB	CASE, RECOIL STARTER *NH1* (BLACK)	1	
3*	28421ZE3W01	PULLEY, RECOIL STARTER	1	
4*	28422ZE2W01	RATCHET, STARTER	2	
5*	28441ZE2W01	SPRING, FRICTION	1	
6*	28442ZE2W01	SPRING, STARTER RETURN	1	
7*	28443ZE2W01	SPRING, RATCHET	2	
8*	28444ZE2W01	RETAINER, SPRING	1	
10*	28461ZE2W02	GRIP, STARTER	1	
11✕*	28462ZV7003	ROPE, RECOIL STARTER	1	
11◇*	28462ZE3W01	ROPE, RECOIL STARTER	1	
13*	90004ZE2W01	SCREW, CENTER	1	
14	90008ZE2003	BOLT, FLANGE (6X10)	3	



- ✕ GX390K1QWT2: Model S/N DECEMBER 2005 AND BELOW
- ◇ GX390U1QWT2: Model S/N JANUARY 2006 AND ABOVE

HONDA GX390K1QWT2/GX390U1QWT2 ENG. — LABELS ASSY.

LABELS ASSY.

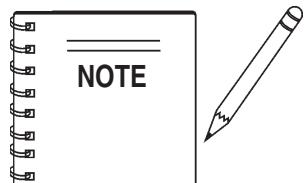


Go to Discount-Equipment.com to order your parts

HONDA GX390K1QWT2/GX390U1QWT2 ENG. — LABELS ASSY.

LABELS ASSY.

<u>NO.</u>	<u>PART NO.</u>	<u>PART NAME</u>	<u>QTY.</u>	<u>REMARKS</u>
1✖	87522ZH9010	LABEL, CAUTION(ENGLISH ETC.)	1	
1◇	87516ZH7000	MARK OPERATOR CAUTION	1	
1◇	87516ZH7810	MARK OPERATOR PICTOGRAPH (OPTION)	1	
2✖	87521ZF6W02	EMBLEM (GX390 HONDA 13.0)	1	
2◇	87521ZF6W03	EMBLEM (GX390 HONDA 13.0)	1	S/N 1398206 AND BELOW
2◇	87521ZF6W04	EMBLEM (GX390 HONDA 13.0)	1	S/N 1398207 AND ABOVE
3◇	87532ZH7000	MARK, THROTTLE INDICATION	1	
4	87534ZE1841	LABEL, AIR CLEANER CAUTION	1	
5◇	87535ZE1841	MARK, AIR CLEANER SALES POINT	1	
6✖	87532ZH8810	MARK, OIL ALERT (E)	1	
7✖	87528ZE2810	MARK, CHOKE (EXTERNAL)	1	



- ✖ GX390K1QWT2: Model S/N DECEMBER 2005 AND BELOW
- ◇ GX390U1QWT2: Model S/N JANUARY 2006 AND ABOVE

PARTS FINDER

**Search Website
by Part Number**



**Search Manual
Library For Parts
Manual & Lookup Part
Numbers – Purchase
or Request Quote**

Search Manuals

Enter your information to help us find the right parts manual for your machine.

* Brand:

* Model:

* Serial:

* Part Number:

SEARCH

**Can't Find Part or
Manual? Request Help
by Manufacturer,
Model & Description**

Parts Order Form

Please fill in the following information to help us find the right part for your machine.

Manufacturer:	<input type="text"/>
Model:	<input type="text"/>
Description:	<input type="text"/>
Part Number:	<input type="text"/>
Quantity:	<input type="text"/>
Notes:	<input type="text"/>

Submit

Discount-Equipment.com is your online resource for quality parts & equipment.

Florida: **561-964-4949** Outside Florida TOLL FREE: **877-690-3101**

Need parts?

Click on this link: <http://www.discount-equipment.com/category/5443-parts/> and choose one of the options to help get the right parts and equipment you are looking for. Please have the machine model and serial number available in order to help us get you the correct parts. If you don't find the part on the website or on one of the online manuals, please fill out the request form and one of our experienced staff members will get back to you with a quote for the right part that your machine needs.

We sell worldwide for the brands: Genie, Terex, JLG, MultiQuip, Mikasa, Essick, Whiteman, Mayco, Toro Stone, Diamond Products, Generac Magnum, Airman, Haulotte, Barreto, Power Blanket, Nifty Lift, Atlas Copco, Chicago Pneumatic, Allmand, Miller Curber, Skyjack, Lull, Skytrak, Tsurumi, Husquvarna Target, Stow, Wacker, Sakai, Mi-T-M, Sullair, Basic, Dynapac, MBW, Weber, Bartell, Bennar Newman, Haulotte, Ditch Runner, Menegotti, Morrison, Contec, Buddy, Crown, Edco, Wyco, Bomag, Laymor, EZ Trench, Bil-Jax, F.S. Curtis, Gehl Pavers, Heli, Honda, ICS/PowerGrit, IHI, Partner, Imer, Clipper, MMD, Koshin, Rice, CH&E, General Equipment, Amida, Coleman, NAC, Gradall, Square Shooter, Kent, Stanley, Tamco, Toku, Hatz, Kohler, Robin, Wisconsin, Northrock, Oztec, Toker TK, Rol-Air, APT, Wylie, Ingersoll Rand / Doosan, Innovatech, Con X, Ammann, Mecalac, Makinex, Smith Surface Prep, Small Line, Wanco, Yanmar