

PARTS MANUAL



TRAILERS SINGLE AXLE

**TRLR10W, TRLR10P, TRLRMP, TRLRMPXF,
TRLR25US, TRLR50WE, TRLR50XF, TRLR50XFE**

Revision #0 (11/23/16)



THIS MANUAL MUST ACCOMPANY THE EQUIPMENT AT ALL TIMES.

PARTS FINDER

**Search Website
by Part Number**



**Search Manual
Library For Parts
Manual & Lookup Part
Numbers – Purchase
or Request Quote**

Search Manuals

Enter your information to help us find the right parts manual for your machine.

* Brand:

* Model:

* Serial:

* Part Number:

SEARCH

**Can't Find Part or
Manual? Request Help
by Manufacturer,
Model & Description**

Parts Order Form

Please fill in the following information to help us find the right part for your machine.

Manufacturer:	<input type="text"/>
Model:	<input type="text"/>
Description:	<input type="text"/>
Part Number:	<input type="text"/>
Quantity:	<input type="text"/>
Notes:	<input type="text"/>

Submit

Discount-Equipment.com is your online resource for quality parts & equipment.

Florida: **561-964-4949** Outside Florida TOLL FREE: **877-690-3101**

Need parts?

Click on this link: <http://www.discount-equipment.com/category/5443-parts/> and choose one of the options to help get the right parts and equipment you are looking for. Please have the machine model and serial number available in order to help us get you the correct parts. If you don't find the part on the website or on one of the online manuals, please fill out the request form and one of our experienced staff members will get back to you with a quote for the right part that your machine needs.

We sell worldwide for the brands: Genie, Terex, JLG, MultiQuip, Mikasa, Essick, Whiteman, Mayco, Toro Stone, Diamond Products, Generac Magnum, Airman, Haulotte, Barreto, Power Blanket, Nifty Lift, Atlas Copco, Chicago Pneumatic, Allmand, Miller Curber, Skyjack, Lull, Skytrak, Tsurumi, Husquvarna Target, Stow, Wacker, Sakai, Mi-T-M, Sullair, Basic, Dynapac, MBW, Weber, Bartell, Bennar Newman, Haulotte, Ditch Runner, Menegotti, Morrison, Contec, Buddy, Crown, Edco, Wyco, Bomag, Laymor, EZ Trench, Bil-Jax, F.S. Curtis, Gehl Pavers, Heli, Honda, ICS/PowerGrit, IHI, Partner, Imer, Clipper, MMD, Koshin, Rice, CH&E, General Equipment, Amida, Coleman, NAC, Gradall, Square Shooter, Kent, Stanley, Tamco, Toku, Hatz, Kohler, Robin, Wisconsin, Northrock, Oztec, Toker TK, Rol-Air, APT, Wylie, Ingersoll Rand / Doosan, Innovatech, Con X, Ammann, Mecalac, Makinex, Smith Surface Prep, Small Line, Wanco, Yanmar

TABLE OF CONTENTS

Trailers/Single Axle

Table Of Contents.....	2
Parts Ordering Procedures.....	3
Explanation Of Code In Remarks Column.....	4
Suggested Spare Parts	5
TRLR10W/10P/25US Nameplate and Decals	6-7
TRLR50XF/MP/50 Nameplate and Decals.....	8-9
TRLR10W/10P Trailer Assembly	10-11
TRLRMP/MPXF Trailer Assembly.....	12-13
TRLR25US Trailer Assembly	14-15
TRLR50W/50XF Trailer Assembly	16-17
TRLR50WE/50XFE Trailer Assembly	18-19
TRLR50WE/50XFE Trailer Assembly	20-21
TRLR10P/10W/MP/MPXF/25US Axle Comp....	22-23
TRLR50WE/50XF/50XFE Axle Components ...	24-25
10-Inch Electric Brake Assembly.....	26-27
Trailer Wiring Connections.....	28
Terms and Conditions of Sale — Parts	29

NOTICE

Specifications and part numbers are subject to change without notice.

Go to Discount-Equipment.com to order your parts

EXPLANATION OF CODE IN REMARKS COLUMN

The following section explains the different symbols and remarks used in the Parts section of this manual. Use the help numbers found on the back page of the manual if there are any questions.

NOTICE

The contents and part numbers listed in the parts section are subject to change **without notice**. Multiquip does not guarantee the availability of the parts listed.

SAMPLE PARTS LIST

NO.	PART NO.	PART NAME	QTY.	REMARKS
1	12345	BOLT	1	INCLUDES ITEMS W/%
2%		WASHER, 1/4 IN.		NOT SOLD SEPARATELY
2%	12347	WASHER, 3/8 IN. ...	1	MQ-45T ONLY
3	12348	HOSE	A/R	MAKE LOCALLY
4	12349	BEARING	1	S/N 2345B AND ABOVE

NO. Column

Unique Symbols — All items with same unique symbol (@, #, +, %, or >) in the number column belong to the same assembly or kit, which is indicated by a note in the “Remarks” column.

Duplicate Item Numbers — Duplicate numbers indicate multiple part numbers, which are in effect for the same general item, such as different size saw blade guards in use or a part that has been updated on newer versions of the same machine.

NOTICE

When ordering a part that has more than one item number listed, check the remarks column for help in determining the proper part to order.

PART NO. Column

Numbers Used — Part numbers can be indicated by a number, a blank entry, or TBD.

TBD (To Be Determined) is generally used to show a part that has not been assigned a formal part number at the time of publication.

A blank entry generally indicates that the item is not sold separately or is not sold by Multiquip. Other entries will be clarified in the “Remarks” Column.

QTY. Column

Numbers Used — Item quantity can be indicated by a number, a blank entry, or A/R.

A/R (As Required) is generally used for hoses or other parts that are sold in bulk and cut to length.

A blank entry generally indicates that the item is not sold separately. Other entries will be clarified in the “Remarks” Column.

REMARKS Column

Some of the most common notes found in the “Remarks” Column are listed below. Other additional notes needed to describe the item can also be shown.

Assembly/Kit — All items on the parts list with the same unique symbol will be included when this item is purchased.

Indicated by:

“INCLUDES ITEMS W/(unique symbol)”

Serial Number Break — Used to list an effective serial number range where a particular part is used.

Indicated by:

“S/N XXXXX AND BELOW”

“S/N XXXX AND ABOVE”

“S/N XXXX TO S/N XXX”

Specific Model Number Use — Indicates that the part is used only with the specific model number or model number variant listed. It can also be used to show a part is NOT used on a specific model or model number variant.

Indicated by:

“XXXXX ONLY”

“NOT USED ON XXXX”

“Make/Obtain Locally” — Indicates that the part can be purchased at any hardware shop or made out of available items. Examples include battery cables, shims, and certain washers and nuts.

“Not Sold Separately” — Indicates that an item cannot be purchased as a separate item and is either part of an assembly/kit that can be purchased, or is not available for sale through Multiquip.

SUGGESTED SPARE PARTS

(TRLR10W, TRLR10P, TRLRMP, TRLRMPXF, TRLR25US, TRLR50W, TRLR50XF, TRLR50XFE)

SINGLE TRAILERS

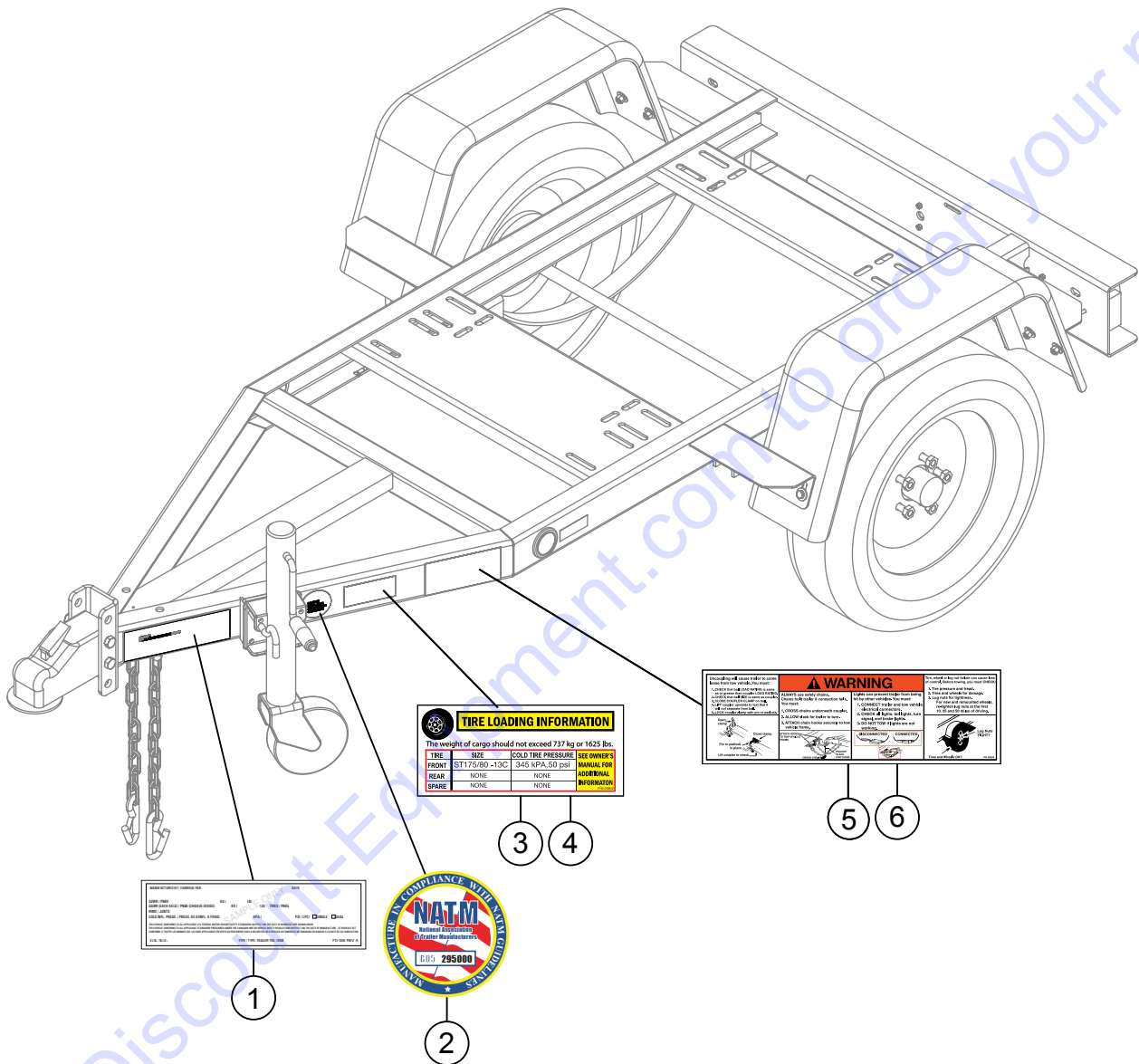
1 to 3 units

Qty.	P/N	Description
129242	LIGHT, TAIL (CURB) SIDE
129243	LIGHT, TAIL (ROAD) SIDE
129563	LIGHT, 2" ROUND AMBER TRLR10W/P, TRLR50WE/XFE
129898	LIGHT, 2-1/2" SIDE MARKER, AMBER TRLRMP, TRLR25US, TRLR50W/XF
13469	DUST CAP
229194	LUG NUT, 1/2-20

NOTICE

Part numbers on this Suggested Spare Parts list may supersede/replace the part numbers shown in the following parts lists.

TRLR10W/TRLR10P/TRLR25US DECALS



TRLR10W/TRLR10P/TRLR25US DECALS

<u>NO.</u>	<u>PART NO.</u>	<u>PART NAME</u>	<u>QTY.</u>	<u>REMARKS</u>
1		DECAL, MULTIPLE TRAILER VIN.....	1	
2	EE56342	DECAL, NATM MANUFACTURER COMPLIANCE	1	
3	29842	DECAL, TIRE LOADING, TRLR10/MP	1	
4	EE56314	OVERLAY, TIRE LABEL	1	
5	49002	DECAL, TRLR HITCH/WHEEL WARNING	1	
6	EE56313	OVERLAY, VIN LABEL	1	

Go to Discount-Equipment.com to order your parts

TRLR50XF/TRLRMP/TRLR50 DECALS

FUELING INSTRUCTIONS

For best results:

1. Elevate trailer tongue slightly.
2. Fill trailer tank first.
3. Fill generator tank next.

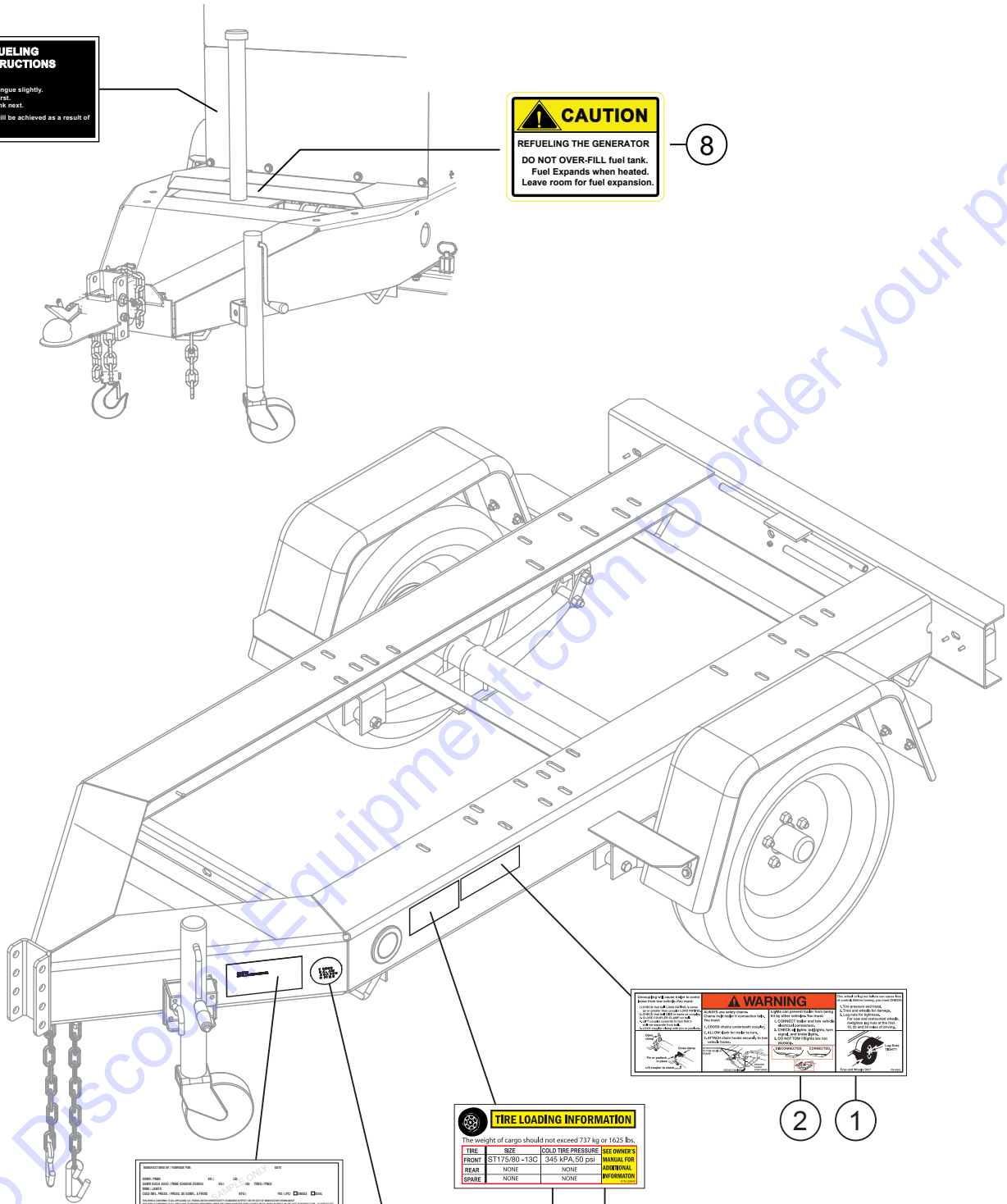
Optimum venting will be achieved as a result of this procedure.

7

CAUTION

REFUELING THE GENERATOR
DO NOT OVER-FILL fuel tank.
Fuel Expands when heated.
Leave room for fuel expansion.

8



WARNING

Do not use the trailer to transport loads that exceed the rated capacity. Exceeding the rated capacity can cause structural failure, tire failure, and loss of control. Always use proper tie-down technique. Do not use the trailer to transport loads that are not evenly distributed. Do not use the trailer to transport loads that are not properly secured. Do not use the trailer to transport loads that are not properly tied down. Do not use the trailer to transport loads that are not properly secured. Do not use the trailer to transport loads that are not properly tied down. Do not use the trailer to transport loads that are not properly secured.

2

1

TIRE LOADING INFORMATION

The weight of cargo should not exceed 727 kg or 1625 lbs.

TIRE	SEE	COLD TIRE PRESSURE	SEE OWNER'S MANUAL FOR
FRONT	ST175/80-13C	345 kPa, 50 psi	ADDITIONAL INFORMATION
REAR	NONE	NONE	ADDITIONAL INFORMATION
SPARE	NONE	NONE	ADDITIONAL INFORMATION

4

3



5

MANUFACTURED BY: [BLANK] FOR: [BLANK]

TRAILER MODEL: [BLANK] SERIAL NUMBER: [BLANK]

DATE OF MANUFACTURE: [BLANK]

WEIGHTS AND CAPACITIES: [BLANK]

SALES AND SERVICE: [BLANK]

FOR MORE INFORMATION, CONTACT: [BLANK]

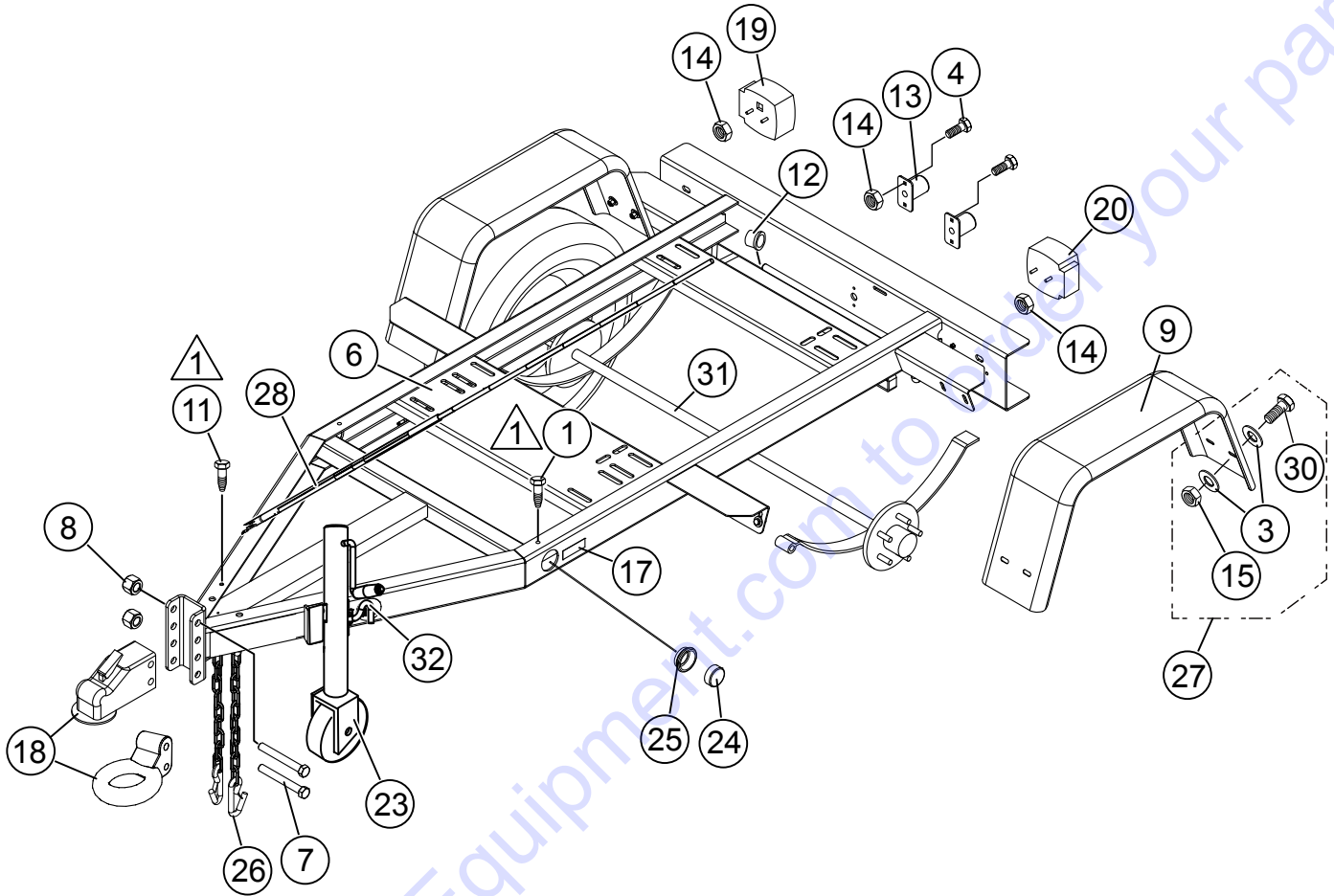
6

TRLR50XF/TRLRMP/TRLR50 DECALS

<u>NO.</u>	<u>PART NO.</u>	<u>PART NAME</u>	<u>QTY.</u>	<u>REMARKS</u>
1	49002	DECAL, TRLR HITCH/WHEEL WARNING	1	
2	EE56313	OVERLAY, VIN LABEL	1	
3	EE56312	LABEL, VIN & TIRE	1	
4	EE56314	OVERLAY, TIRE LABEL	1	
5	EE56342	DECAL, NATM MANUFACTURER COMPLIANCE	1	
6		DECAL, MULTIPLE TRAILER VIN	1	CONTACT DISCOUNT-
		EQUIPMENT		DEPARTMENT
7	EE56030	DECAL, FUELING INSTRUCTIONS	1	
8	EE52343	DECAL, CAUTION, DO NOT OVERFILL FUEL TANK	1	

Go to Discount-Equipment.com to order your parts

TRLR10W/TRLR10P TRAILER ASSY

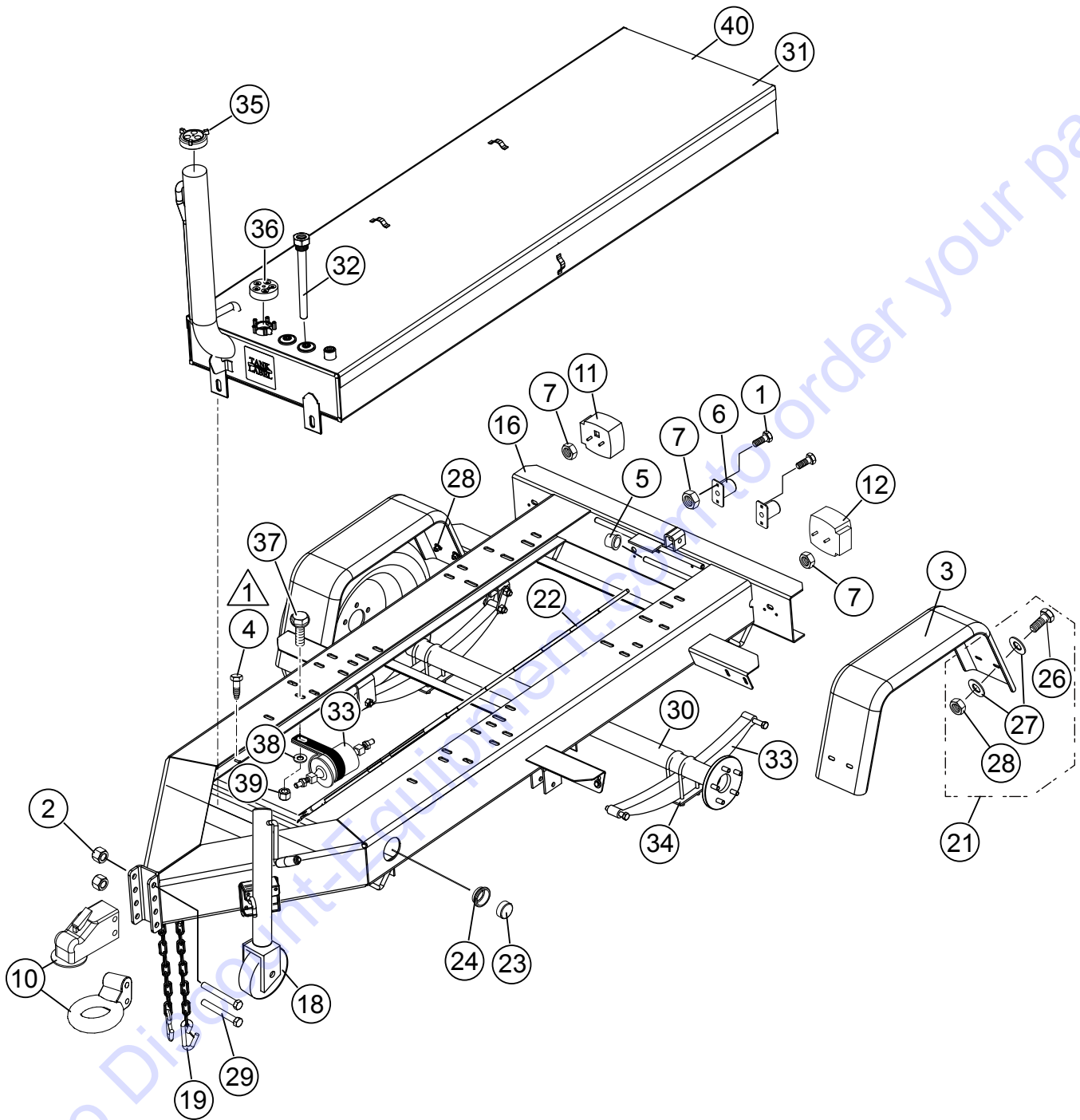


NOTES:
△ 1 GROUND POINT

TRLR10W/TRLR10P TRAILER ASSY

<u>NO.</u>	<u>PART NO.</u>	<u>PART NAME</u>	<u>QTY.</u>	<u>REMARKS</u>
1	1273	SCREW, HHST 8-32 X 3/8"	2	
3\$	4001	WASHER, FLAT USS 3/8" PLD	16	
4	5065 B	SCREW, PHP 10-32 X 1/2"	4	
6	9500	FRAME	1	
7	9502	SCREW, HHC 5/8-11 X 4-1/2" GR8	2	
8	9503	NUT, NYLOC 5/8-11"	2	
9	9505	FENDER, 8" X 30" X 13", DRILLED	2	
11	9509	SCREW, TEK 12 X 3/4" SELF TAP	1	
12	9512	INSULATOR, WIRING .50 DIA	8	
13	9514	LIGHT ASSY, LICENSE PLATE	2	
14	10019	NUT, NYLOC 10-32	4	
15\$	10133	NUT, NYLOC 3/8-16	8	
17	29158	REFLECTOR, AMBER	2	
18	29228	COUPLER, 2" BALL, ADJUSTABLE, 6000 LBS.	1	
18	EE43254	COUPLER, 2" BALL, ADJUSTABLE, 10,000 LBS.	1	OPTIONAL
18	EE43253	COUPLER, 2-5/16" BALL, ADJUSTABLE, 14,000 LBS.	1	OPTIONAL
18	EE36264	COUPLER, 3" PINTLE EYE, 20,000 LBS.	1	OPTIONAL
19	29242	LIGHT, TAIL (CURB) SIDE	1	
20	29243	LIGHT, TAIL (ROAD) SIDE	2	
23	29496	JACK, SIDEWIND 10", BOLT THRU, .5 PIN W/WHEEL	1	
24	29563	LIGHT, 2" ROUND AMBER	2	
25	29564	GROMMET, 2" ROUND	2	
26	29572	CHAIN ASSY, SAFETY 7600 LBS.	2	
27	29754	KIT, HARDWARE, FENDER MOUNT	1	INCLUDES ITEMS W/ \$
28	29784	HARNESS ASSY, TRLR, 48" LOOM	1	
30\$	0205	SCREW, HHC 3/8-16 X 1"	8	
31	9506	AXLE ASSY/SPRING ASSY, 2,000 LBS.	1	

TRLRMP/TRLRMPXF TRAILER ASSY

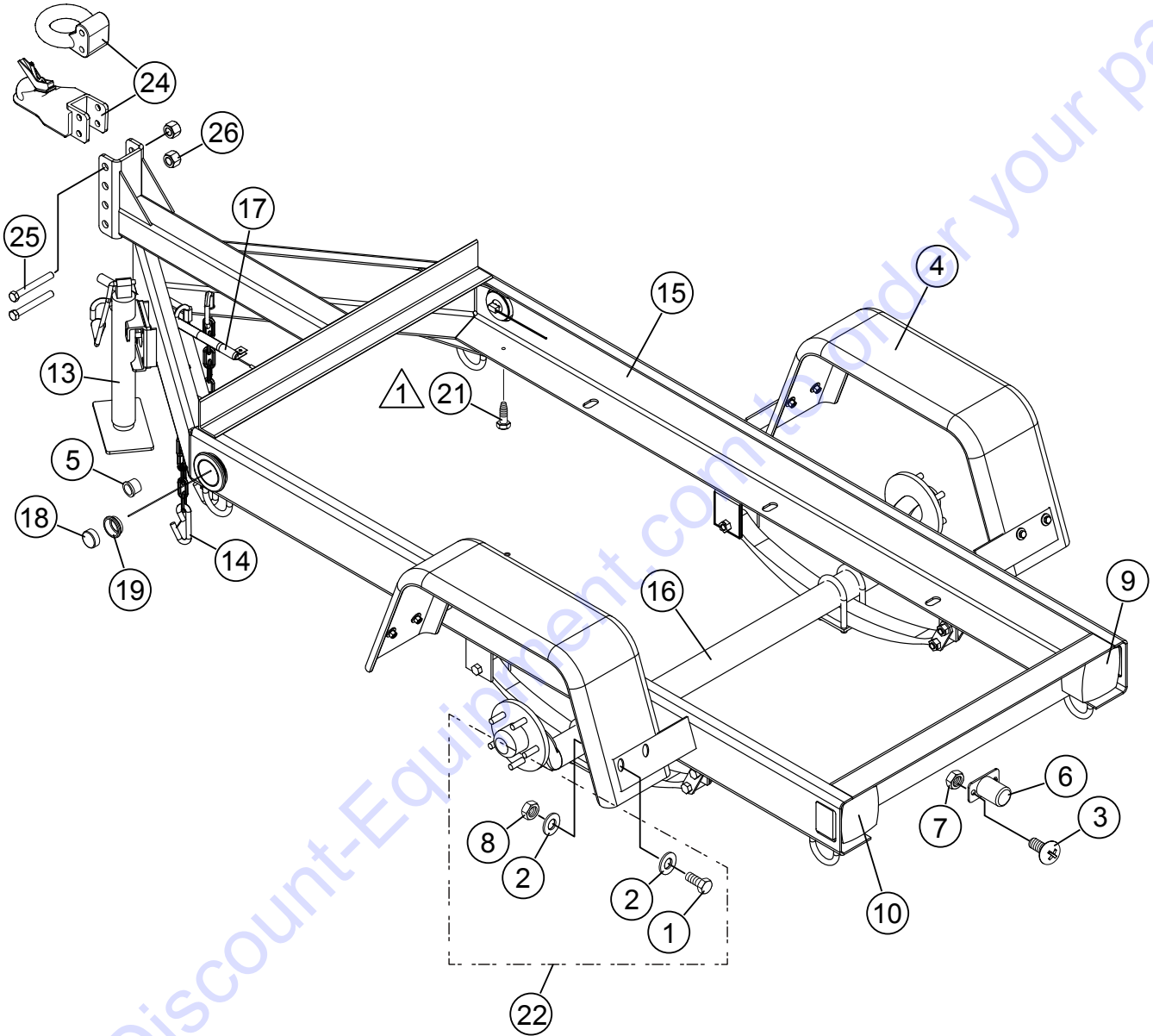


NOTES:
△ GROUND POINT

TRLRMP/TRLRMPXF TRAILER ASSY

<u>NO.</u>	<u>PART NO.</u>	<u>PART NAME</u>	<u>QTY.</u>	<u>REMARKS</u>
1	5065 B	SCREW, PHP 10-32 X 1/2"	4	
2	9503	NUT, NYLOC 5/8-11"	2	
3	9505	FENDER, 8" X 30" X 13," DRILLED	2	
4	9509	SCREW, TEK 12 x 3/4" SELF TAP	3	
5	9512	INSULATOR, WIRING .50 DIA	7	
6	9514	LIGHT ASSY, LICENSE PLATE	2	
7	10019	NUT, NYLOC 10-32	4	
10	29228	COUPLER, 2" BALL, ADJUSTABLE, 6,000 LBS.	1	
10	EE43254	COUPLER, 2" BALL, ADJUSTABLE, 10,000 LBS.....	1	OPTIONAL
10	EE43253	COUPLER, 2-5/16" BALL, ADJUSTABLE, 14,000 LBS.....	1	OPTIONAL
10	EE36264	COUPLER, 3" PINTLE EYE, 20,000 LBS.....	1	OPTIONAL
11	29242	LIGHT, TAIL (CURB) SIDE	1	
12	29243	LIGHT, TAIL (ROAD) SIDE	1	
16	29370	FRAME	1	
18	29496	JACK, SIDEWIND 10", BOLT THRU, .5 PIN W/ WHEEL	1	
19	29572	CHAIN ASM, SAFETY 7,600 LBS.	2	
21	29754	KIT, HARDWARE, FENDER MOUNT	1	INCLUDES ITEMS W/#
22	29784	HARNES ASSY, TRLR, 48" LOOM	1	
23	29898	LIGHT, 2-1/2" SIDE MARKER, AMBER	2	
24	29900	GROMMET W/ WIRE KIT, 2-1/2"	2	
26#	0205	SCREW, HHC 3/8-16 X 1.0"	8	
27#	4001	WASHER	16	
28#	10133	NUT, NYLOC 3/8-16	8	
29	9502	SCREW, HHC 5/8-11 X 4-1/2 GR8	2	
30	29381	AXLE ASSY, 3,500 LBS.	1	
31	EE55144	FUEL TANK, 28 GAL	1	
32	EE53541	ASSY, TUBE, FUEL DOWN, 5-1/2" LONG	1	
33	EE53069	FUEL PUMP, ELECTRIC (FACET)	1	
35	7V3177002	CAP, 2" VENTED GAS	1	
36	EE58784	GAUGE, 5.20" MECHANICAL FUE, 28GAL	1	
37		BOLT, 5/16-18 X 1"	1	OBTAIN LOCALLY
38		WASHER, FLAT FENDER, 5/16"	1	OBTAIN LOCALLY
39		NUT, 5/16-18.....	1	OBTAIN LOCALLY
40	19029	FUEL TANK, 16 GAL	1	TRLRMP16FP

TRLR25US TRAILER ASSY



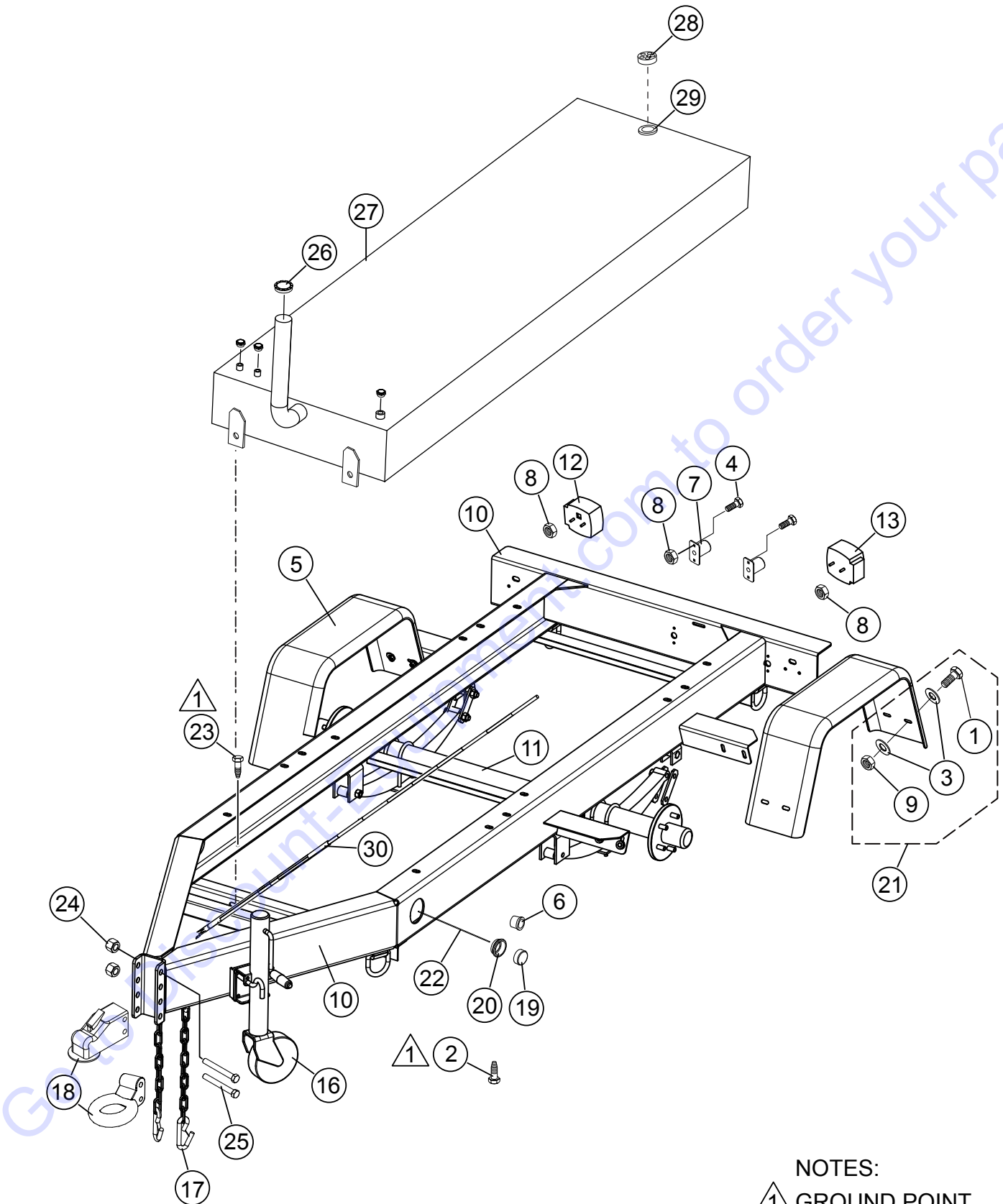
NOTES:

△ 1 GROUND POINT

TRLR25US TRAILER ASSY

<u>NO.</u>	<u>PART NO.</u>	<u>PART NAME</u>	<u>QTY.</u>	<u>REMARKS</u>
1#	0205	SCREW, HHC 3/8-16 X 1.0"	8	
2#	4001	WASHER, FLAT USS 3/8 PLD	16	
3	5065 B	SCREW, PHP 10-32 X 1/2"	2	
4	9505	FENDER, 8" X 30" X 13"	2	
5	9512	INSULATOR, WIRING .50 DIA	8	
6	9514	LIGHT ASSY, LICENSE PLATE	1	
7	10019	NUT, NYLOC 10-32"	2	
8#	10133	NUT, NYLOC 3/8-16"	8	
9	29242	LIGHT, TAIL RT (CURB) SIDE	1	
10	29243	LIGHT, TAIL LH (ROAD) SIDE	1	
13	29478	JACK, TOPWIND 10" BOLT-THRU .5 PIN	1	
14	29572	CHAIN ASM, SAFETY 7,600 LBS.	2	
15	29618	FRAME	1	
16	29621	AXLE ASSY, 3,500 LBS. DROP	1	
17	29784	HARNESS ASSY, TRLR, 48" LOOM	1	
18	29898	LIGHT, 2-1/2" SIDE MARKER, AMBER	2	
19	29900	GROMMET W/ WIRE KIT, 2-1/2"	2	
21	9509	SCREW, TEK 12 X 3/4" SELF TAP	3	
22	29754	KIT, HARDWARE FENDER MOUNT	1	INCLUDES ITEMS W/#
24	29228	COUPLER, 2" BALL, ADJUSTABLE, 6,000 LBS.	1	
24	EE43254	COUPLER, 2" BALL, ADJUSTABLE, 10,000 LBS.	1	OPTIONAL
24	EE43253	COUPLER, 2-5/16" BALL, ADJUSTABLE, 14,000 LBS.	1	OPTIONAL
24	EE36264	COUPLER, 3" PINTLE EYE, 20,000 LBS.	1	OPTIONAL
25	9502	SCREW, HHC 5/8-11 X 4-1/2" GR8	2	
26	9503	NUT, NYLOC 5/8-11"	2	

TRLR50W/TRLR50XF TRAILER ASSY

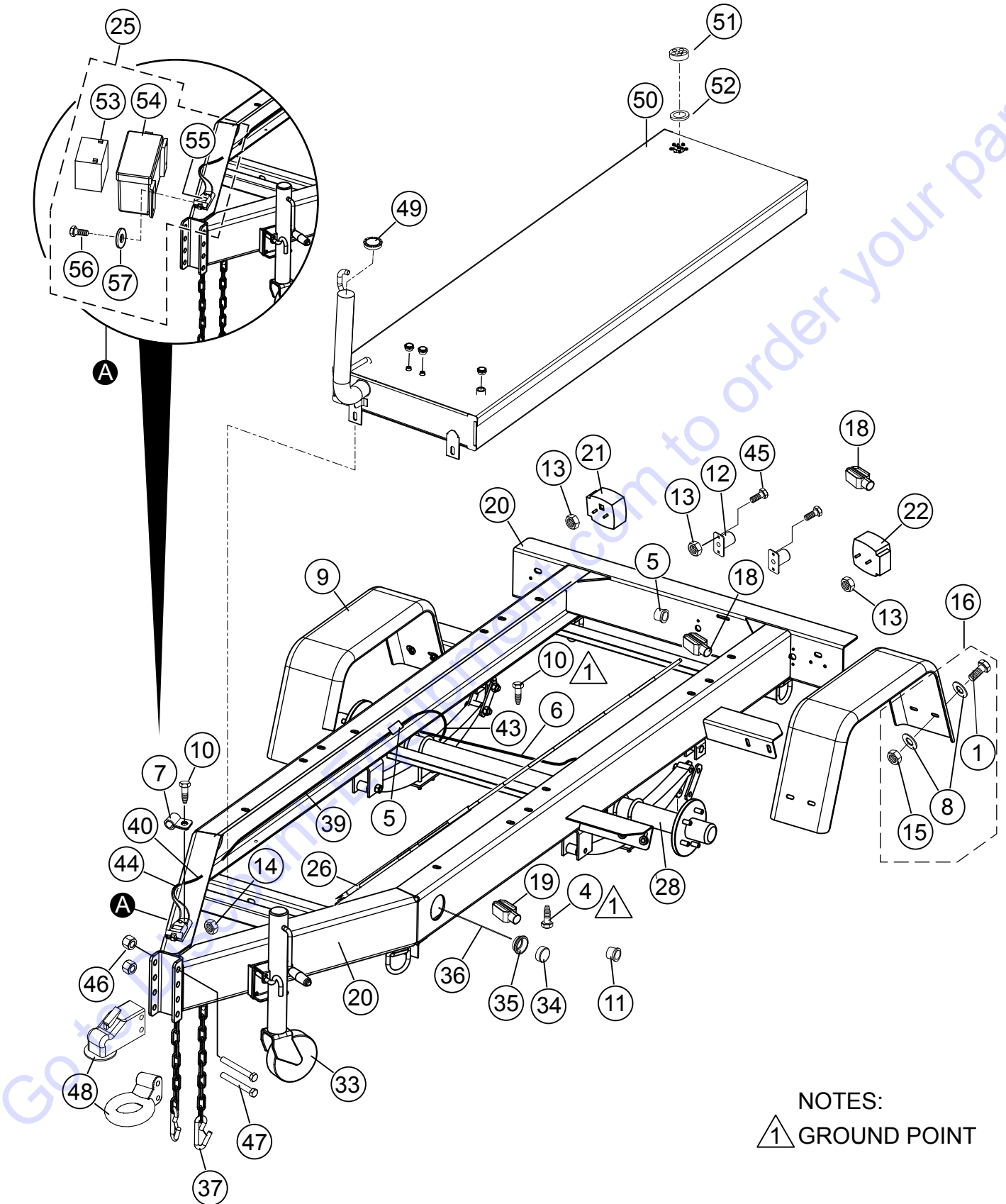


NOTES:
△ GROUND POINT

TRLR50W/TRLR50XF TRAILER ASSY

<u>NO.</u>	<u>PART NO.</u>	<u>PART NAME</u>	<u>QTY.</u>	<u>REMARKS</u>
1#	0205	SCREW, HHC 3/8-16 X 1.0"	8	
2	1273	SCREW, HHST 8-32 X 3/8"	2	
3#	4001	WASHER, FLAT USS 3/8 PLD	16	
4	5065 B	SCREW, PHP 10-32 X 1/2"	4	
5	9505	FENDER, 8" X 30" X 13"	2	
6	9512	INSULATOR, WIRING .50 DIA	8	
7	9514	LIGHT ASM, LICENSE PLATE	2	
8	10019	NUT, NYLOC 10-32"	8	
9#	10133	NUT, NYLOC 3/8-16"	8	
10	19043	FRAME	1	
11	19047	AXLE/SPRING ASSY., 3,500 LBS.	1	
12	29242	LIGHT, TAIL (CURB) SIDE	1	
13	29243	LIGHT, TAIL (ROAD) SIDE	1	
16	29496	JACK, SIDEWIND 10", BOLT THRU, .5 PIN W/ WHEEL	1	
17	29572	CHAIN ASM, SAFETY 7,600 LBS.	2	
18	29228	COUPLER, 2" BALL, ADJUSTABLE, 6,000 LBS.....	1	OPTIONAL
18	EE43254	COUPLER, 2" BALL, ADJUSTABLE, 10,000 LBS.....	1	OPTIONAL
18	EE43253	COUPLER, 2-5/16" BALL, ADJUSTABLE, 14,000 LBS.....	1	OPTIONAL
18	EE36264	COUPLER, 3" PINTLE EYE, 20,000 LBS.....	1	OPTIONAL
19	29898	LIGHT, 2-1/2" SIDE MARKER, AMBER	2	
20	29900	GROMMET W/WIRE KIT, 2-1/2", 14218K	2	
21	29754	KIT, HARDWARE, FENDER MOUNT	1	INCLUDES ITEMS W/#
23	9509	SCREW, TEK 12 X 3/4" SELF TAP	1	
24	9503	NUT, NYLOC 5/8-11"	2	
25	9502	SCREW, HHC 5/8-11 X 4-1/2" GR8	2	
26	7V3177002	CAP, 2" FUEL TANK	1	
27	EE52009	FUEL TANK, 41GAL.	1	
28	030OB12407	FUEL SENDING UNIT 2-5/8" SU 5.25"	1	
29	EE56758	GASKET, 2-5/8" SENDING UNIT	1	
30	29784	HARNES, 48" LOOM	1	

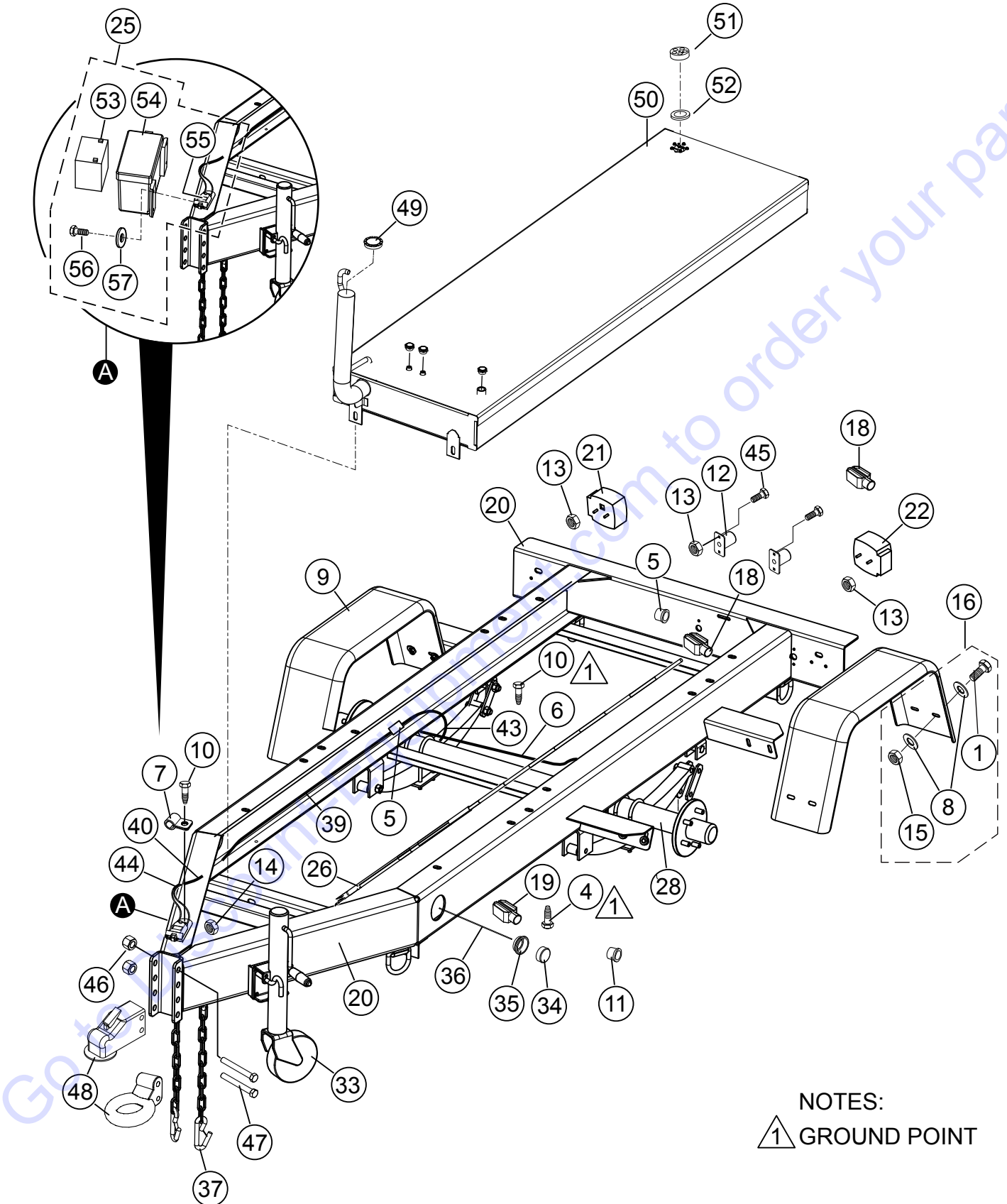
TRLR50WE/TRLR50XFE TRAILER ASSY



TRLR50WE/TRLR50XFE TRAILER ASSY

<u>NO.</u>	<u>PART NO.</u>	<u>PART NAME</u>	<u>QTY.</u>	<u>REMARKS</u>
1#	0205	SCREW, HHC 3/8-16 X 1"	8	
2	0730	SCREW, HHC 1/4-20 X 1"	4	
3	0948	WASHER, FLAT, 1/4 SAE	4	
4	1273	SCREW, HHST 8-32 X 3/8"	2	
5	1319	TERMINAL, 1/4 RING 16-14, INSUL.	3	
6	2540	BUTT CONNECTION, WIRE	7	
7	2548	CLAMP, CABLE, DEL CITY #2904	1	
8#	4001	WASHER, FLAT 3/8 PLTD STD. USS	16	
9	9505	FENDER 8" X 30" X13", DRILLED	2	
10	9509	SCREW, TEK 12 X 3/4" SELF TAP	2	
11	9512	PLUG, WIRING 1/2"	10	
12	9514	LITE, LICENSE PETERSEN 435	2	
13	10019	NUT, NYLOC 10-32"	4	
14	10024	NUT, NYLOC 1/4-20"	4	
15#	10133	NUT, NYLOC 3/8-16"	8	
16	29754	KIT, HARDWARE, FENDER MTG.	1	INCLUDES ITEMS W/#
18	19761	TAP, SPLICE 14-18GA CLOSED (BLUE)	6	
19	19762	TAP, SPLICE 14-18GA OPEN (BROWN)	1	
20	29148	FRAME ASSY	1	
21	29242	LIGHT, TAIL (CURB) SIDE`	1	
22	29243	LIGHT, TAIL (ROAD) SIDE	1	
25	29366	KIT, BREAK AWAY.....	1	INCLUDES ITEMS W/\$
26	29367	PLUG/SPRING, 6 POLE TRAILER	1	
28	29463	AXLE ASSY/SPRING ASSY., 3500LBS W/ELEC. BRAKES	1	
33	29496	JACK, SIDEWIND 10" BLT - THRU, .5 PIN, W/ WHEEL	1	
34	29563	LIGHT, 2" ROUND AMBER	2	
35	29560	GROMMET, 2" RD LIGHT	2	
36	29565	HARNESS, 2 POLE	2	
37	29572	CHAIN ASSY, SAFETY, 7600LBS	2	
39	60018	WIRE, 16GA BROWN, SAEJ1128, 4.5L.....	5	1PC = 1FT
40	60037	LOOM, 5/8 DIA HI TEMP BLK	2	

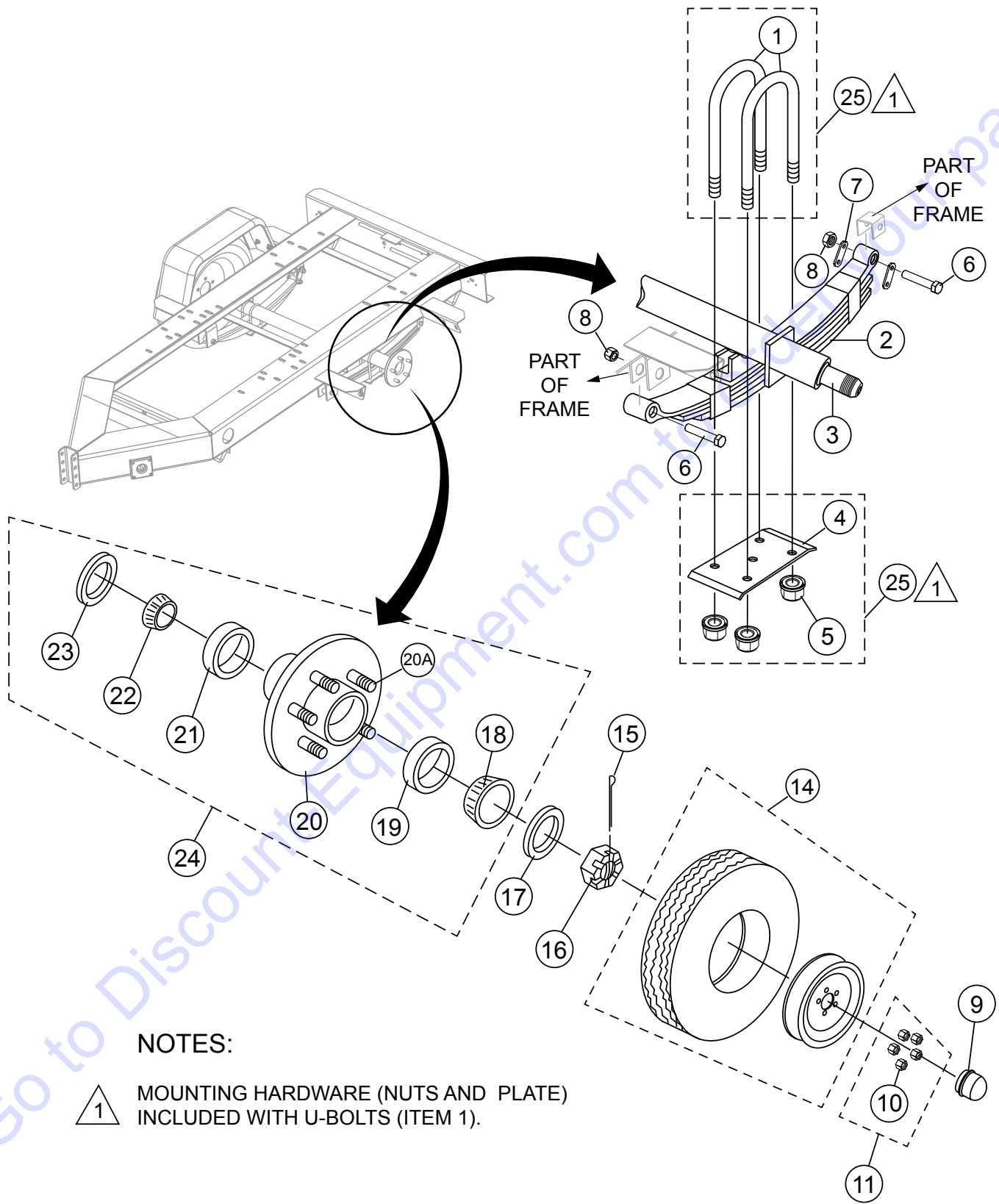
TRLR50WE/TRLR50XFE TRAILER ASSY



TRLR50WE/TRLR50XFE TRAILER ASSY

<u>NO.</u>	<u>PART NO.</u>	<u>PART NAME</u>	<u>QTY.</u>	<u>REMARKS</u>
41	60043	WIRE, 16GA GREEN, SAE J1128	4	
42	60101	TIE, SELF LOCKING	6	
43	60221	LOOM 375 SPLIT	2	
44	60257	WIRE, 14GA 6 COND, 17.5L.....	18.....	1PC=1FT
45	5065 B	SCREW, RHM 10-32 X 1/2"	4	
46	9503	NUT, NYLOC 5/8-11	2	
47	9502	SCREW, HHC 5/8-11X4-1/2" GR8	2	
48	29228	COUPLER, 2" BALL, ADJUSTABLE, 6,000 LBS.	1	
48	EE43254	COUPLER, 2" BALL, ADJUSTABLE, 10,000 LBS.....	1.....	OPTIONAL
48	EE43253	COUPLER, 2-5/16" BALL, ADJUSTABLE, 14,000 LBS.....	1.....	OPTIONAL
48	EE36264	COUPLER, 3" PINTLE EYE, 20,000 LBS.....	1.....	OPTIONAL
49	7V3177002	CAP, 2" FUEL TANK	1	
50	EE52009	FUEL TANK, 41GAL.	1	
51	EE56759	FUEL SENDING UNIT 2-5/8" SU 5.25"	1	
52	EE56758	GASKET, 2-5/8" SENDING UNIT	1	
53\$	EE57140	BATTERY	1	
54\$	EE57141	BOX W/ LID	1	
55\$	EE43519	SWITCH	1	
56\$	0730	SCREW, HHC 1/4-20 X 1"	4	
57\$	0948	WASHER, FLAT, 1/4 SAE	4	

TRLR10P/10W-TRLRMP/MPXF/25US AXLE COMPONENTS



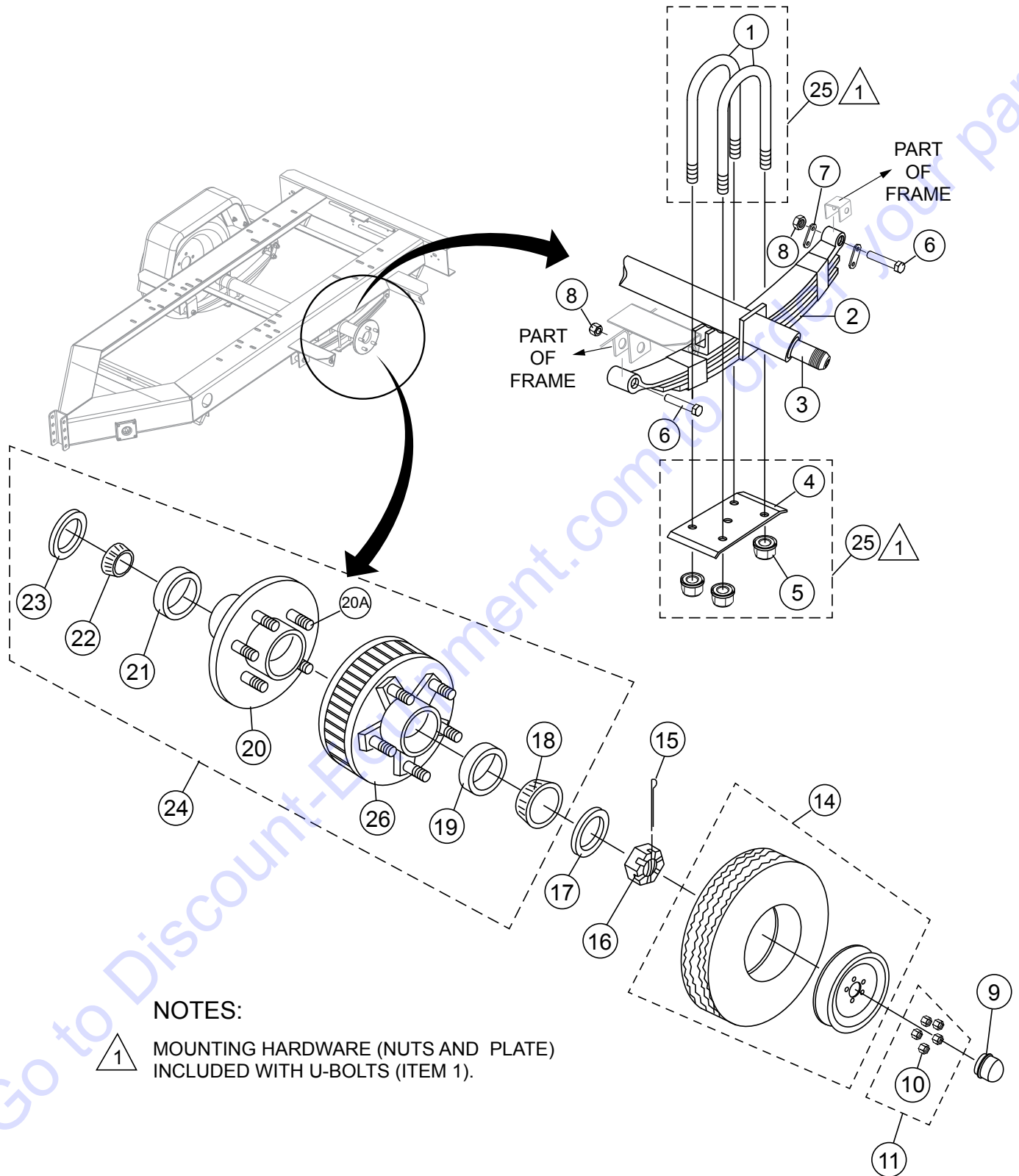
NOTES:

- 1 MOUNTING HARDWARE (NUTS AND PLATE) INCLUDED WITH U-BOLTS (ITEM 1).

TRLR10P/10W-TRLRMP/MPXF/25US AXLE COMPONENTS

<u>NO.</u>	<u>PART NO.</u>	<u>PART NAME</u>	<u>QTY.</u>	<u>REMARKS</u>
1#	U1741	U-BOLT	4.....	TRLR10P/TRLR10W
1#	U1105	U-BOLT	4.....	TRLRMP, TRLR25US
2	49017	SPRING, 4 LEAF, DOUBLE EYE, 3,500LBS.....	2.....	TRLR10P, TRLR10W
2	SW4B	SPRING, 4 LEAF, DOUBLE EYE.....	2.....	TRLRMP, TRLR25US
3	ST204327-BT	AXLE BEAM ONLY	1.....	TRLR10P, TRLR10W
3	DT35XX-84XL	AXLE BEAM ONLY	1.....	TRLRMP
3	DT35XX-84FXL	AXLE BEAM ONLY	1.....	TRLR25US
4#	91207	TIE PLATE	2.....	TRLR10P
4#	2101	TIE PLATE	2.....	TRLRMP, TRLR25US
5#	UN4	NUT 3/8"	8.....	TRLR10P/TRLR10W
5#	UN2	NUT 1/-20	8.....	TRLRMP, TRLR25US
6	29248	SCREW, HHC 9/16-18 X 3" AXLE MTG.	4	
7	29247	SHACKLE, AXLE MOUNTING	8	
8	29249	NUT, 9/16-18" AXLE MOUNTING	4	
9	3469	DUST CAP	2	
10%	29194	LUG NUT, 1/2-20"	10	
11	29755	LUG NUT KIT.....	2.....	INCLUDES ITEMS W/%
14	19045	WHEEL/TIRE ST175-80-13 LR C X 4.5	2	
15	0183	COTTER PIN, 1/8"D x 1-1/4"	2	
16	1-14	SPINDLE NUT	2	
17	1W	SPINDLE WASHER, 1"	2	
18\$	L44649	INNER BEARING CONE, 1-1/16" I.D.	2	
19\$	L44610	OUTER BEARING CUP	2	
20\$		HUB ONLY	0.....	NOT SOLD SEPARATELY
20A\$	363907	WHEEL STUD, 1/2"	10	
21\$	L44610	OUTER BEARING CUP.....	2.....	TRLR10P/TRLR10W
21\$	L68111	OUTER BEARING CUP.....	2.....	TRLRMP, TRLR25US
22\$	L44649	INNER BEARING CONE, 1-1/16" I.D.....	2.....	TRLR10P, TRLR10W
22\$	L68149	INNER BEARING CONE, 1-3/8" I.D.....	2.....	TRLRMP, TRLR25US
23\$	10-60	X-TRA LUBE GREASE SEAL.....	2.....	TRLR10P/TRLR10W
23\$	58846	LUBE GREASE SEAL	2.....	TRLRMP, TRLR25US
24	IH545C9	LOADED HUB KIT	1.....	INCLUDES ITEMS W/\$
			TRLR10P/TRLR10W
24	IH54535C	LOADED HUB KIT	1.....	INCLUDES ITEMS W/\$
			TRLRMP/TRLR25US
25	UBK1741	U-BOLT KIT.....	1.....	INCLUDES ITEMS W/#
			TRLR10P/TRLR10W
25	UBK-255	U-BOLT KIT.....	1.....	INCLUDES ITEMS W/#
			TRLRMP, TRLR25US

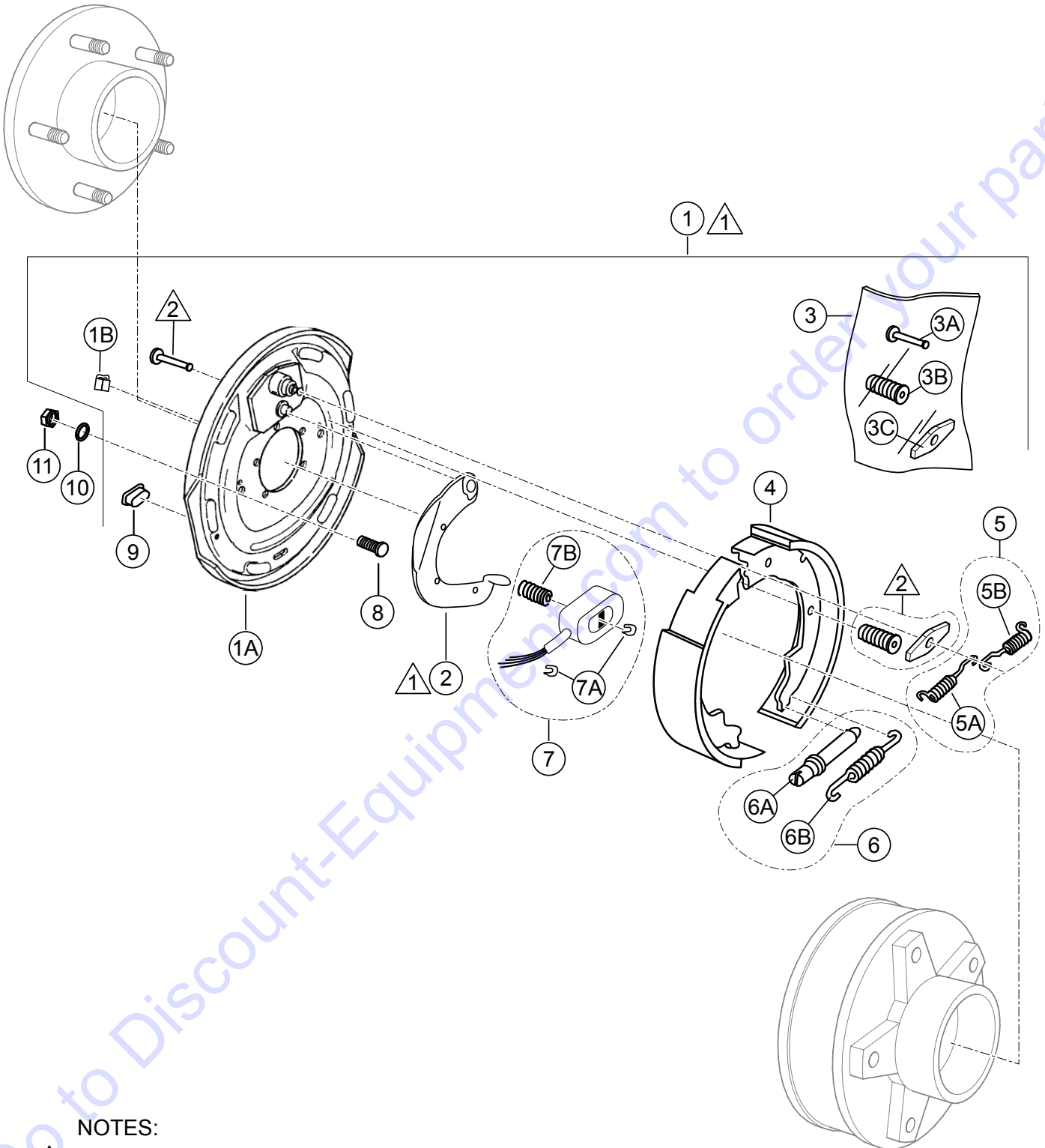
TRLR50WE/TRLR50XF/TRLR50XFE AXLE COMPONENTS



TRLR50WE/TRLR50XF/TRLR50XFE AXLE COMPONENTS

<u>NO.</u>	<u>PART NO.</u>	<u>PART NAME</u>	<u>QTY.</u>	<u>REMARKS</u>
1#	U1105	U-BOLT	4	
2	SW4B	SPRING, 4 LEAF, DOUBLE EYE	2	
3	DT35XX-84	AXLE BEAM ONLY	1	
4#	2101	TIE PLATE	2	
5#	UN2	NUT	8	
6	29248	SCREW, HHC 9/16-18"	6	
7	29704	SHACKLE, AXLE MOUNTING	4	
8	29249	NUT, 9/16-18" AXLE MOUNTING	6	
9	3469	DUST CAP	2	
10%	29194	LUG NUT, 1/2-20"	10	
11	29755	LUG NUT KIT.....	1	INCLUDES ITEMS W/%
14	EE45318	WHEEL ASSY., ST175/80 D13, LD RATE "C"	2	
15	0183	COTTER PIN, 1/8"D x 1-1/4"	2	
16	1-14	SPINDLE NUT	2	
17	1W	SPINDLE WASHER, 1"	2	
18\$	L44649	OUTER BEARING CONE	2	
19\$	L44610	OUTER BEARING CUP	2	
20\$		HUB ONLY.....	2	NOT SOLD SEPARATELY
20A\$	363907	WHEEL STUD, 1/2"	10	
21\$	L68111	INNER BEARING CUP	2	
22\$	L68149	INNER BEARING CONE.	2	
23\$	58846	LUBE GREASE SEAL	2	
24	IH54535C	LOADED HUB KIT.....	1	INCLUDES ITEMS W/\$
25	UBK-255	U-BOLT KIT.....	1	INCLUDES ITEMS W/#
26	1H545-17	HUB W/ STUDS & CUPS	2	

10-INCH ELECTRIC BRAKE ASSY



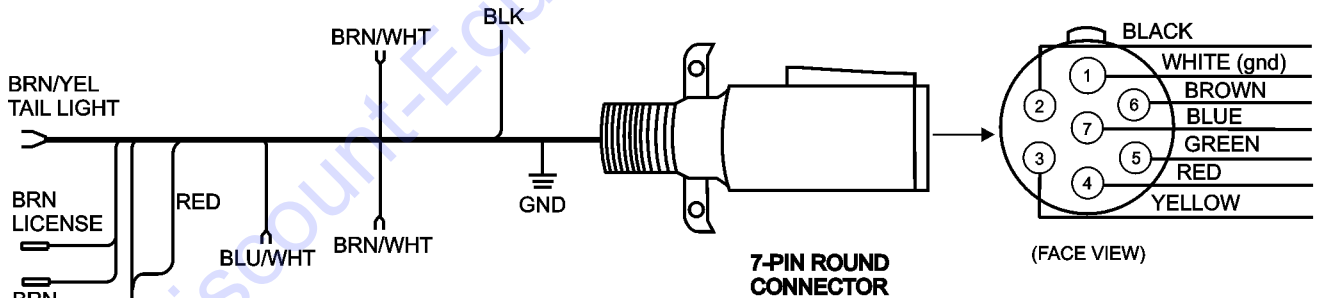
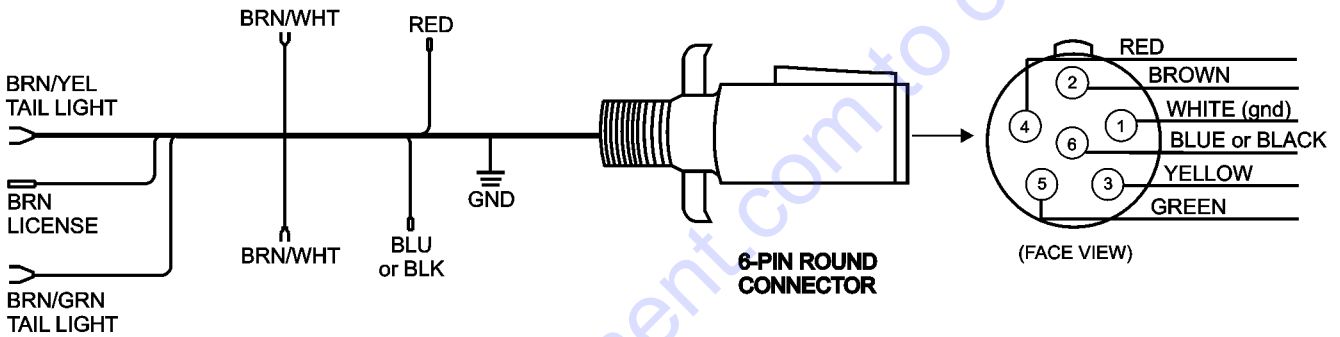
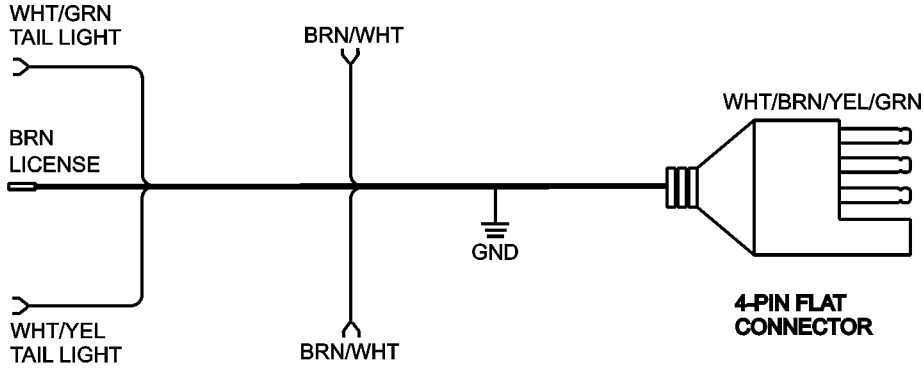
NOTES:

- ① LEFT SIDE AND RIGHT SIDE LOADED BACKING PLATE OPTION.
- ② SUPPLIED WITH HOLD DOWN SPRING KIT ONLY, ITEM 3.

10-INCH ELECTRIC BRAKE ASSY

<u>NO.</u>	<u>PART NO.</u>	<u>PART NAME</u>	<u>QTY.</u>	<u>REMARKS</u>
1	6205	LOADED BACKING PLATE ASSY., RH.....	1.....	INCLUDES ITEMS W/\$
1	6206	LOADED BACKING PLATE ASSY., LH	1.....	INCLUDES ITEMS W/◆
1A\$◆		BACKING PLATE.....	1.....	MUST PURCHASE ITEM 1
1B\$◆		CLIP, BACKING PLATE HOLD DOWN	1.....	MUST PURCHASE ITEM 1
2\$	T6205	ACTUATING ARM RH	1	
2◆	T6206	ACTUATING ARM LH	1	
3\$◆	T5353	HOLD DOWN SPRING KIT	1.....	INCLUDES ITEMS W/%
3A\$◆%		HOLD DOWN PIN.....	1.....	MUST PURCHASE ITEM 3
3B\$◆%		HOLD DOWN SPRING.....	1.....	MUST PURCHASE ITEM 3
3C\$◆%		SHOE GUIDE PLATE	1.....	MUST PURCHASE ITEM 3
4\$◆	T6004	BRAKE SHOE KIT	1	
5\$◆	T5304	RETURN SPRING KIT.....	1.....	INCLUDES ITEMS W/#
5A\$◆#		RETURN SPRING	1.....	MUST PURCHASE ITEM 5
5B\$◆#		RETURN SPRING	1.....	MUST PURCHASE ITEM 5
6\$◆	T5404	ADJUSTER KIT	1.....	INCLUDES ITEMS W/@
6A\$◆@		ADJUSTER SCREW ASSY	1.....	MUST PURCHASE ITEM 6
6B\$◆@		SPRING, ADJUSTER SCREW.....	1.....	MUST PURCHASE ITEM 6
7\$◆	T6106	MAGNETIC SOLENOID KIT.....	1.....	INCLUDES ITEMS W/&
7A\$◆&		HOLD DOWN CLIP.....	2.....	MUST PURCHASE ITEM 7
7B\$◆&		SPRING, MAGNETIC SOLENOID.....	1.....	MUST PURCHASE ITEM 7
8	B1716	BOLT	1	
9\$◆	568089	PLUG	1	
10	2955	WASHER	1	
11	UN3	NUT	1	

TRAILER WIRING CONNECTIONS



PARTS FINDER

**Search Website
by Part Number**



**Search Manual
Library For Parts
Manual & Lookup Part
Numbers – Purchase
or Request Quote**

Search Manuals

Enter your information to help us find the right parts manual for your machine.

* Brand:

* Model:

* Serial:

* Part Number:

SEARCH

**Can't Find Part or
Manual? Request Help
by Manufacturer,
Model & Description**

Parts Order Form

Please fill in the following information to help us find the right part for your machine.

Manufacturer:	<input type="text"/>
Model:	<input type="text"/>
Description:	<input type="text"/>
Part Number:	<input type="text"/>
Quantity:	<input type="text"/>
Notes:	<input type="text"/>

Submit

Discount-Equipment.com is your online resource for quality parts & equipment.

Florida: **561-964-4949** Outside Florida TOLL FREE: **877-690-3101**

Need parts?

Click on this link: <http://www.discount-equipment.com/category/5443-parts/> and choose one of the options to help get the right parts and equipment you are looking for. Please have the machine model and serial number available in order to help us get you the correct parts. If you don't find the part on the website or on one of the online manuals, please fill out the request form and one of our experienced staff members will get back to you with a quote for the right part that your machine needs.

We sell worldwide for the brands: Genie, Terex, JLG, MultiQuip, Mikasa, Essick, Whiteman, Mayco, Toro Stone, Diamond Products, Generac Magnum, Airman, Haulotte, Barreto, Power Blanket, Nifty Lift, Atlas Copco, Chicago Pneumatic, Allmand, Miller Curber, Skyjack, Lull, Skytrak, Tsurumi, Husquvarna Target, Stow, Wacker, Sakai, Mi-T-M, Sullair, Basic, Dynapac, MBW, Weber, Bartell, Bennar Newman, Haulotte, Ditch Runner, Menegotti, Morrison, Contec, Buddy, Crown, Edco, Wyco, Bomag, Laymor, EZ Trench, Bil-Jax, F.S. Curtis, Gehl Pavers, Heli, Honda, ICS/PowerGrit, IHI, Partner, Imer, Clipper, MMD, Koshin, Rice, CH&E, General Equipment, Amida, Coleman, NAC, Gradall, Square Shooter, Kent, Stanley, Tamco, Toku, Hatz, Kohler, Robin, Wisconsin, Northrock, Oztec, Toker TK, Rol-Air, APT, Wylie, Ingersoll Rand / Doosan, Innovatech, Con X, Ammann, Mecalac, Makinex, Smith Surface Prep, Small Line, Wanco, Yanmar