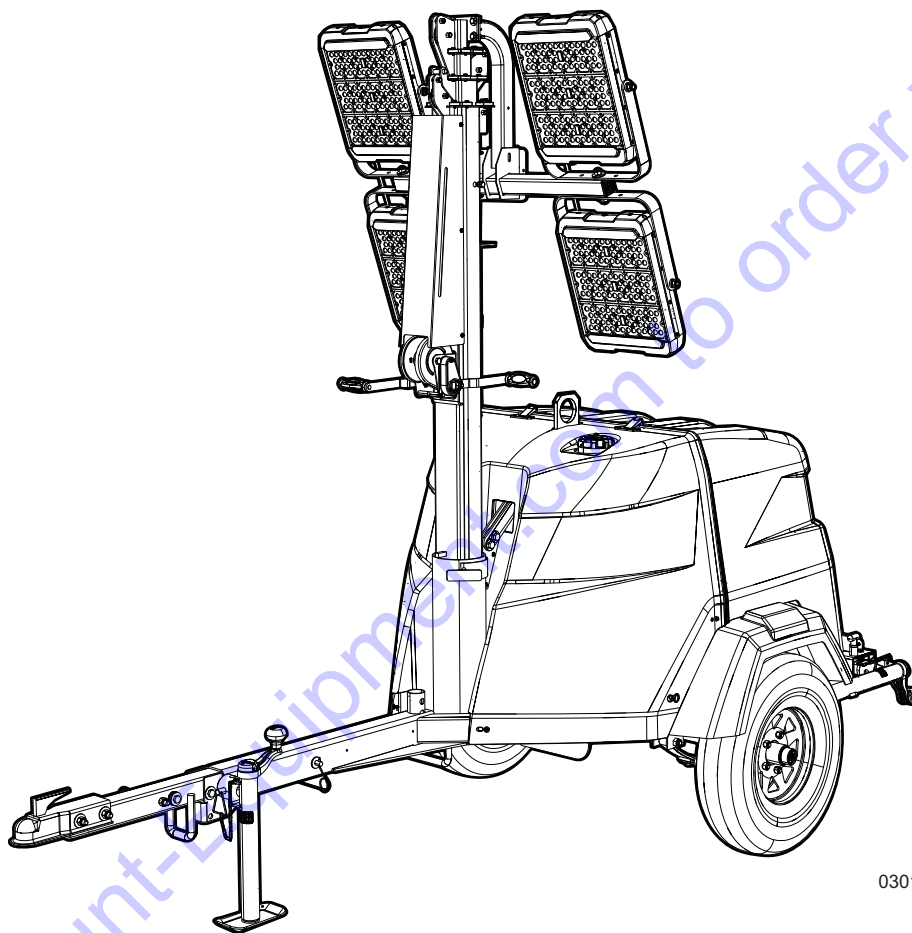


MLTS

Light Tower Parts Manual



03019

MODEL NUMBER: _____

SERIAL NUMBER: _____

DATE PURCHASED: _____



www.discount-equipment.com

SAVE THIS MANUAL FOR FUTURE REFERENCE

PARTS FINDER

**Search Website
by Part Number**



**Search Manual
Library For Parts
Manual & Lookup Part
Numbers – Purchase
or Request Quote**

Search Manuals

Enter your information to help us find the right parts manual for your machine.

* Brand:

* Model:

* Serial:

* Part Number:

SEARCH

**Can't Find Part or
Manual? Request Help
by Manufacturer,
Model & Description**

Parts Order Form

Please fill in the following information to help us find the right part for your machine.

Manufacturer:	<input type="text"/>
Model:	<input type="text"/>
Description:	<input type="text"/>
Part Number:	<input type="text"/>
Quantity:	<input type="text"/>
Notes:	<input type="text"/>

Submit

Discount-Equipment.com is your online resource for quality parts & equipment.

Florida: **561-964-4949** Outside Florida TOLL FREE: **877-690-3101**

Need parts?

Click on this link: <http://www.discount-equipment.com/category/5443-parts/> and choose one of the options to help get the right parts and equipment you are looking for. Please have the machine model and serial number available in order to help us get you the correct parts. If you don't find the part on the website or on one of the online manuals, please fill out the request form and one of our experienced staff members will get back to you with a quote for the right part that your machine needs.

We sell worldwide for the brands: Genie, Terex, JLG, MultiQuip, Mikasa, Essick, Whiteman, Mayco, Toro Stone, Diamond Products, Generac Magnum, Airman, Haulotte, Barreto, Power Blanket, Nifty Lift, Atlas Copco, Chicago Pneumatic, Allmand, Miller Curber, Skyjack, Lull, Skytrak, Tsurumi, Husquvarna Target, Stow, Wacker, Sakai, Mi-T-M, Sullair, Basic, Dynapac, MBW, Weber, Bartell, Bennar Newman, Haulotte, Ditch Runner, Menegotti, Morrison, Contec, Buddy, Crown, Edco, Wyco, Bomag, Laymor, EZ Trench, Bil-Jax, F.S. Curtis, Gehl Pavers, Heli, Honda, ICS/PowerGrit, IHI, Partner, Imer, Clipper, MMD, Koshin, Rice, CH&E, General Equipment, Amida, Coleman, NAC, Gradall, Square Shooter, Kent, Stanley, Tamco, Toku, Hatz, Kohler, Robin, Wisconsin, Northrock, Oztec, Toker TK, Rol-Air, APT, Wylie, Ingersoll Rand / Doosan, Innovatech, Con X, Ammann, Mecalac, Makinex, Smith Surface Prep, Small Line, Wanco, Yanmar

 **WARNING**

CANCER AND REPRODUCTIVE HARM

www.P65Warnings.ca.gov.

(000393a)

 **WARNING**

Breathing diesel engine exhaust exposes you to chemicals known to the State of California to cause cancer and birth defects or other reproductive harm.

- Always start and operate the engine in a well-ventilated area.
- If in an enclosed area, vent the exhaust to the outside.
- Do not modify or tamper with the exhaust system.
- Do not idle the engine except as necessary.

For more information go to

www.P65Warnings.ca.gov/diesel.

(000394)

Introduction

This parts manual was prepared based on the information available at the time of publication and is subject to change without notice. Generac Mobile Products reserves the right to change parts at any time.

DO NOT MODIFY or use this equipment for any application other than which it was designed for. To keep your equipment fully operational, it is suggested you maintain a stock of commonly used maintenance or service parts. A recommended spare parts list can be found in the back of this manual.



⚠WARNING

Consult Manual. Read and understand manual completely before using product. Failure to completely understand manual and product could result in death or serious injury.

(000100a)

⚠WARNING

Environmental Hazard. Always recycle batteries at an official recycling center in accordance with all local laws and regulations. Failure to do so could result in environmental damage, death, or serious injury.

(000228)

Engine Make: _____

Engine Serial Number: _____

Engine Model Number: _____

Table of Contents

Introduction	iii
Parts Manual Instructions	1
Unit Decals - Front, Rear and Top.....	2
Unit Decals - Left and Right Sides.....	4
Unit Decals - Inside Unit.....	6
Mast, Junction Box and Lights to Unit	8
Light Assembly - 296 Watt.....	10
Light Assembly - 320 Watt.....	12
Mast Junction Box Assembly - Hard Wired Lights.....	14
Diffused Lighting 296W (If Equipped).....	16
Diffused Lighting 320W (If Equipped).....	18
Mast Assembly	20
Mast Assembly - Bottom Post - Manual Winch	22
Enclosure Assembly (1 of 2).....	24
Enclosure Assembly (2 of 2).....	26
Control Box Assembly - Analog	28
Control Box Assembly - Digital (if Equipped).....	30
Analog Control Box Assembly With Shore Power (if Equipped)	32
Digital Control Box Assembly With Shore Power (if Equipped).....	34
Control Box Shore Power Panel (If Equipped)	36
Control Box Receptacle Panel (If Equipped)	38
Cooling System Assembly.....	40
Engine Assembly (1 of 2)	42
Engine Assembly (2 of 2)	44
Engine and Generator to Unit.....	46
Export Power (If Equipped)	48
Components to Trailer Assembly (1 of 2).....	50
Components to Trailer Assembly (2 of 2).....	52
Trailer Assembly.....	54
Recommended Spare Parts - Engine and Service Kits.....	56
Recommended Spare Parts - Electrical	58
Recommended Spare Parts - Misc.....	60

Go to Discount-Equipment.com to order your parts

Parts Manual Instructions

Product illustrations are only representations. Products supplied may vary from the illustrations in this parts manual. Parts not shown in the illustration are indicated by a double dash (--) in the item column.

Please be prepared to provide the following information when ordering replacement parts: model number, serial number (on unit serial tag), part number, purchase order number (if applicable), shipping address, shipping method.

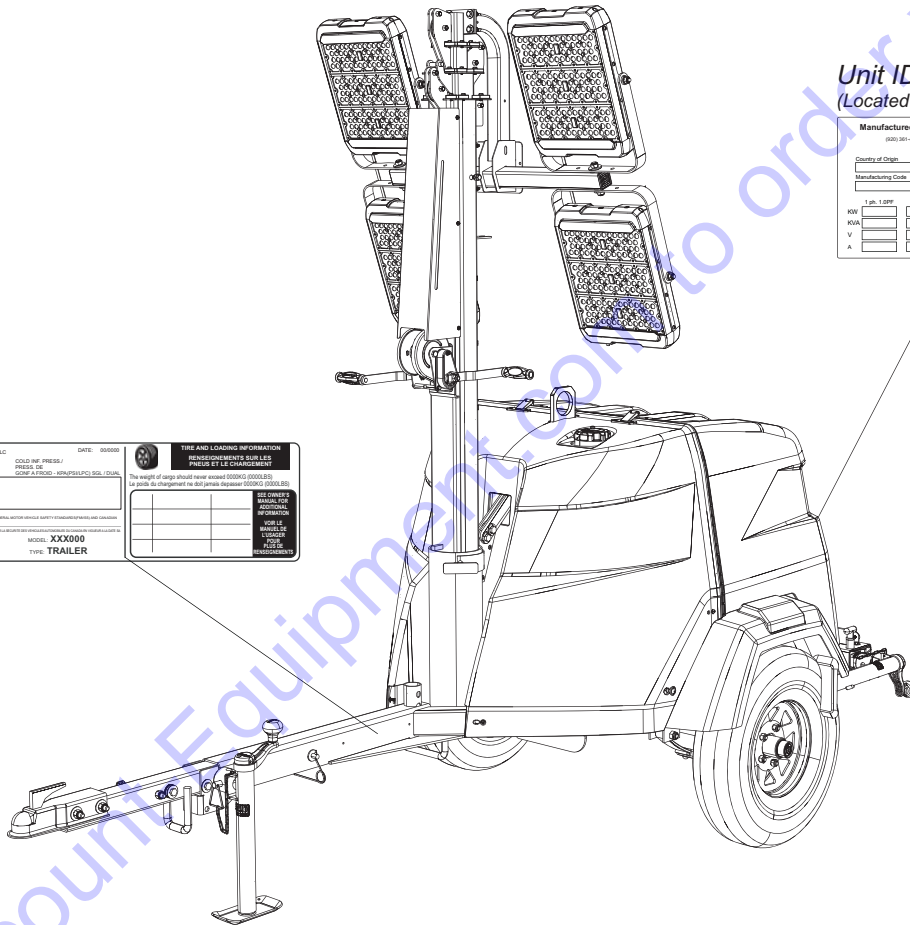
Refer to the illustration below to locate the unit ID tag and Vehicle Identification Number (VIN) tag on the unit. Important information, such as the unit serial number, model number, VIN and tire loading information are found on these tags. Record the information from these tags so it is available if the tags are lost or damaged. When ordering parts or requesting assistance, you may be asked to provide this information.

VIN Tag

MANUFACTURED BY/ABBREVIATED NAME: Generac Mobile Products LLC		DATE: 000000	TIRE AND LOADING INFORMATION WEIGHTS/LOADING LIMITS PLEASE SEE CHARGESHEET The weight of cargo should never exceed 1000KG (2200LBS) in any one compartment or distribution system.
GVWR/PNRY: 000KG (000LBS) GVWR: P/MSR TRS: P/MSR RM: /A/MSR	COLD INF. PRESS./ TREAD DE CONF. APPROV. #/PNR/SALES/CSL/CSL	SEE CHARGESHEET FOR ADDITIONAL INFORMATION VEHICLE IDENTIFICATION NUMBER (VIN) MODEL: XXX000 TYPE: TRAILER	
EACH PAGE		VIN: 000000000000000000	

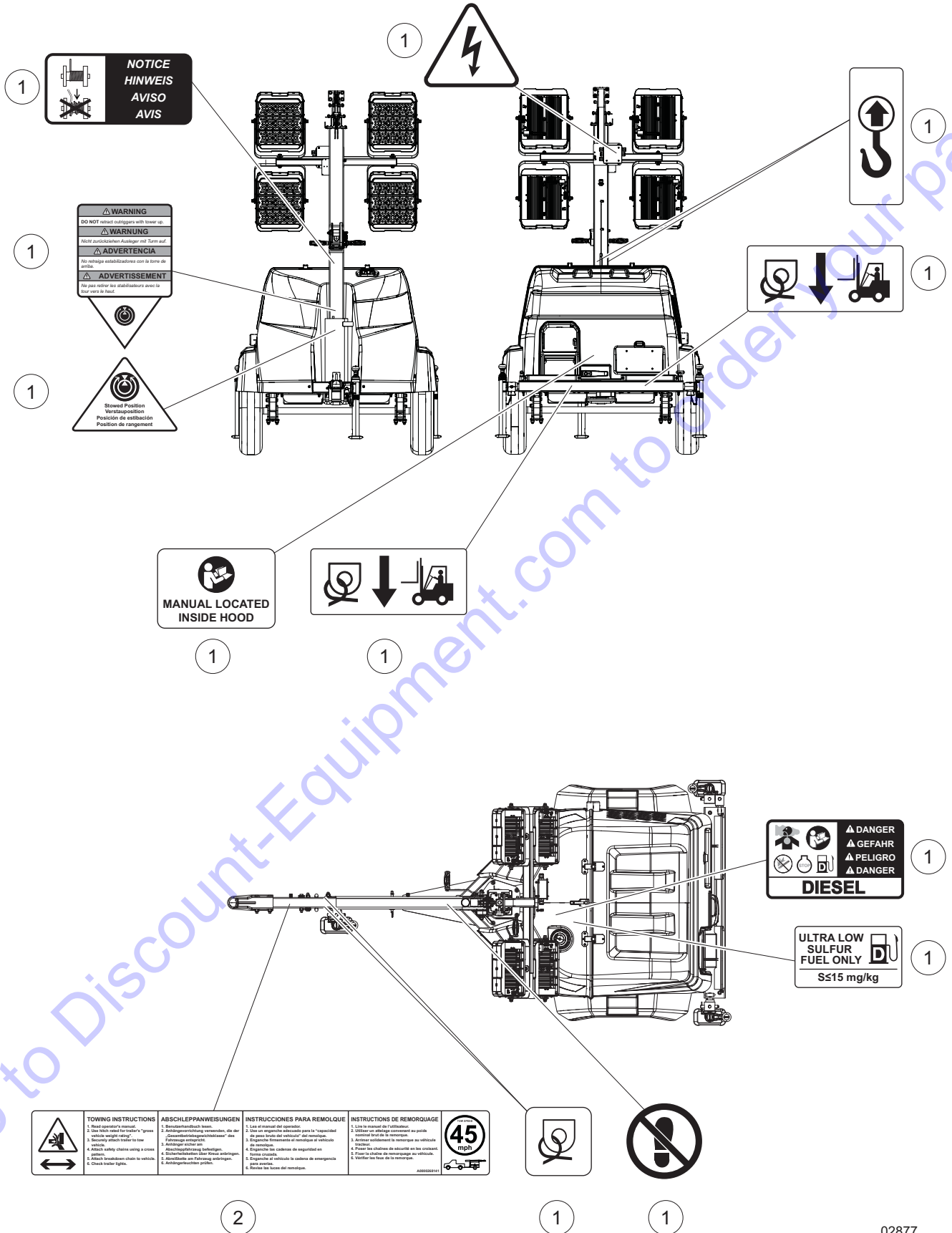
Unit ID Tag
(Located on top of control box)

Manufactured by Generac Mobile Products LLC			
(000) 361-4442		(000) 000-0700	
Country of Origin	Model	Serial Number	
Manufacturing Code	Original (Back)	Original Frequency	
1 pin, 1.0PF	3 pin, 0PF	3 pin, 1.0PF	
HW		VIA Class	
HVA			
V			
A			



03020

UNIT DECALS - FRONT, REAR AND TOP



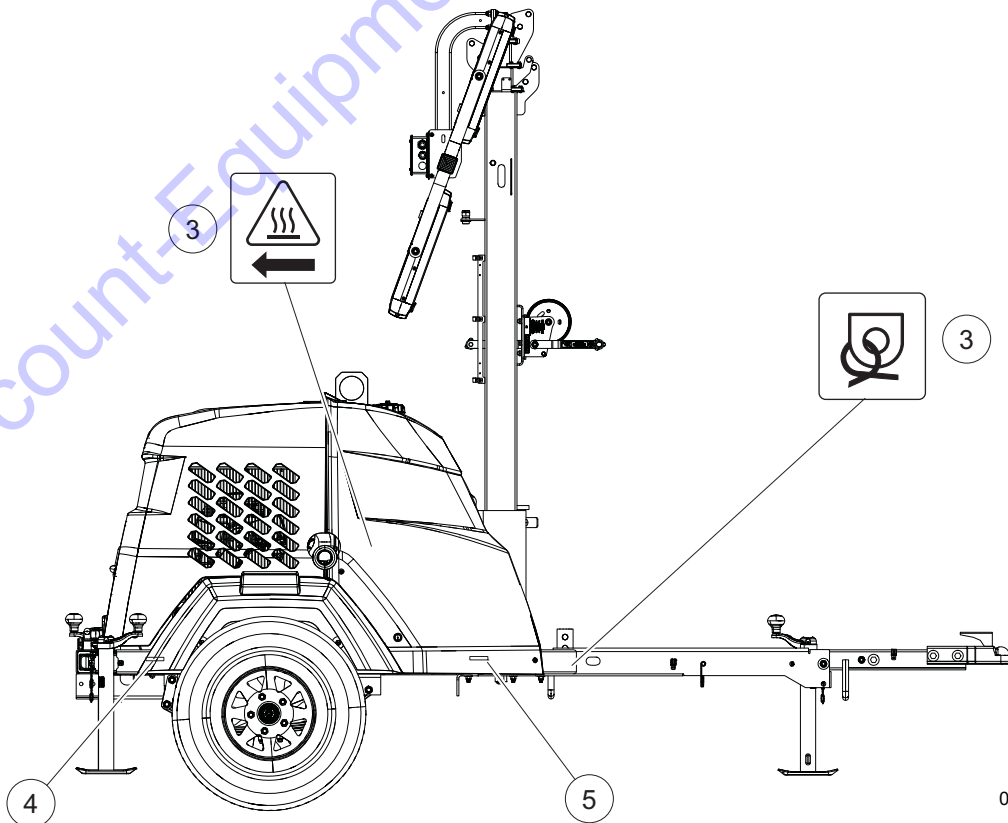
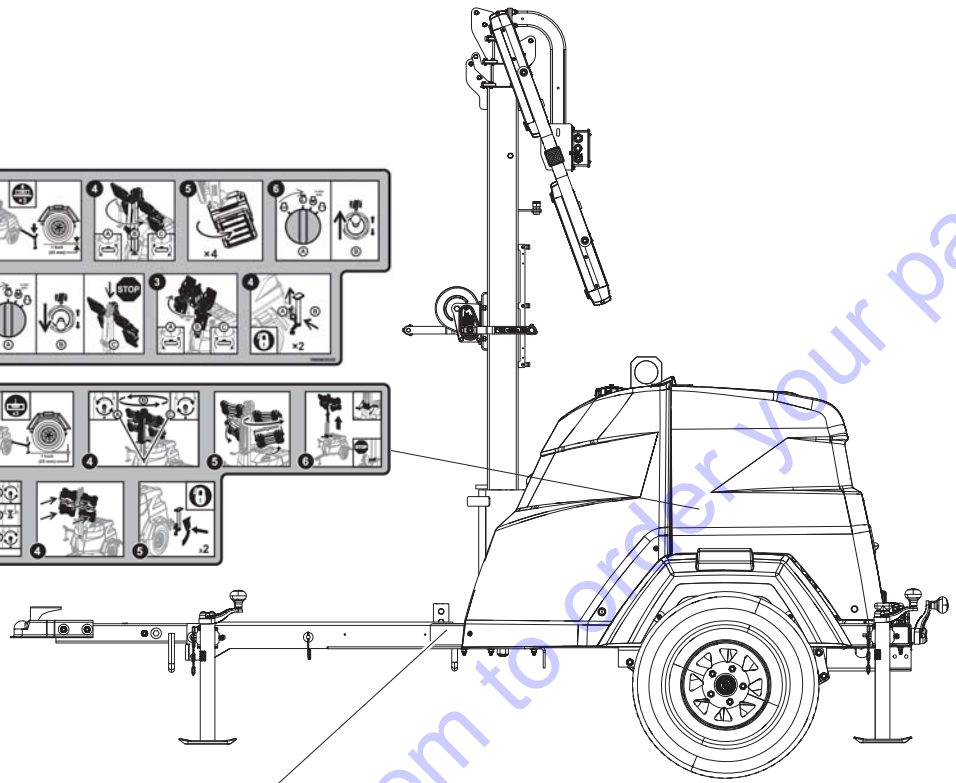
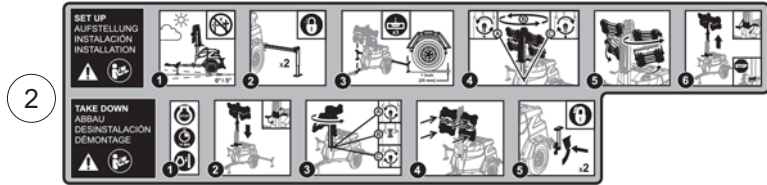
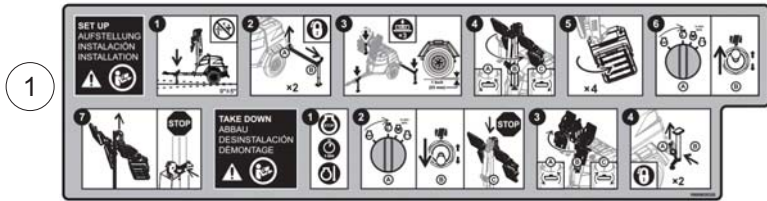
02877

UNIT DECALS - FRONT, REAR AND TOP

Item	Part No.	Qty	Description	Notes
1	55016	1	Decal, safety MLT6SMD	
2	A0000268141	1	Decal, MLT towing instructions w/45MPH	

Go to Discount-Equipment.com to order your parts

UNIT DECALS - LEFT AND RIGHT SIDES



03030

UNIT DECALS - LEFT AND RIGHT SIDES

Item	Part No.	Qty	Description	Notes
1	10000035325	1	Decal, operation MLT6SM - SKDS (electric)	
2	10000035402	1	Decal, operation MLT6SM - SKDS (manual)	shown
3	55016	1	Decal, safety MLT6SMD	
4	72149	1	Reflector, red (4.25 in x .75 in)	Set of two
5	72150	1	Reflector, yellow (4.25 in x .75 in)	Set of two

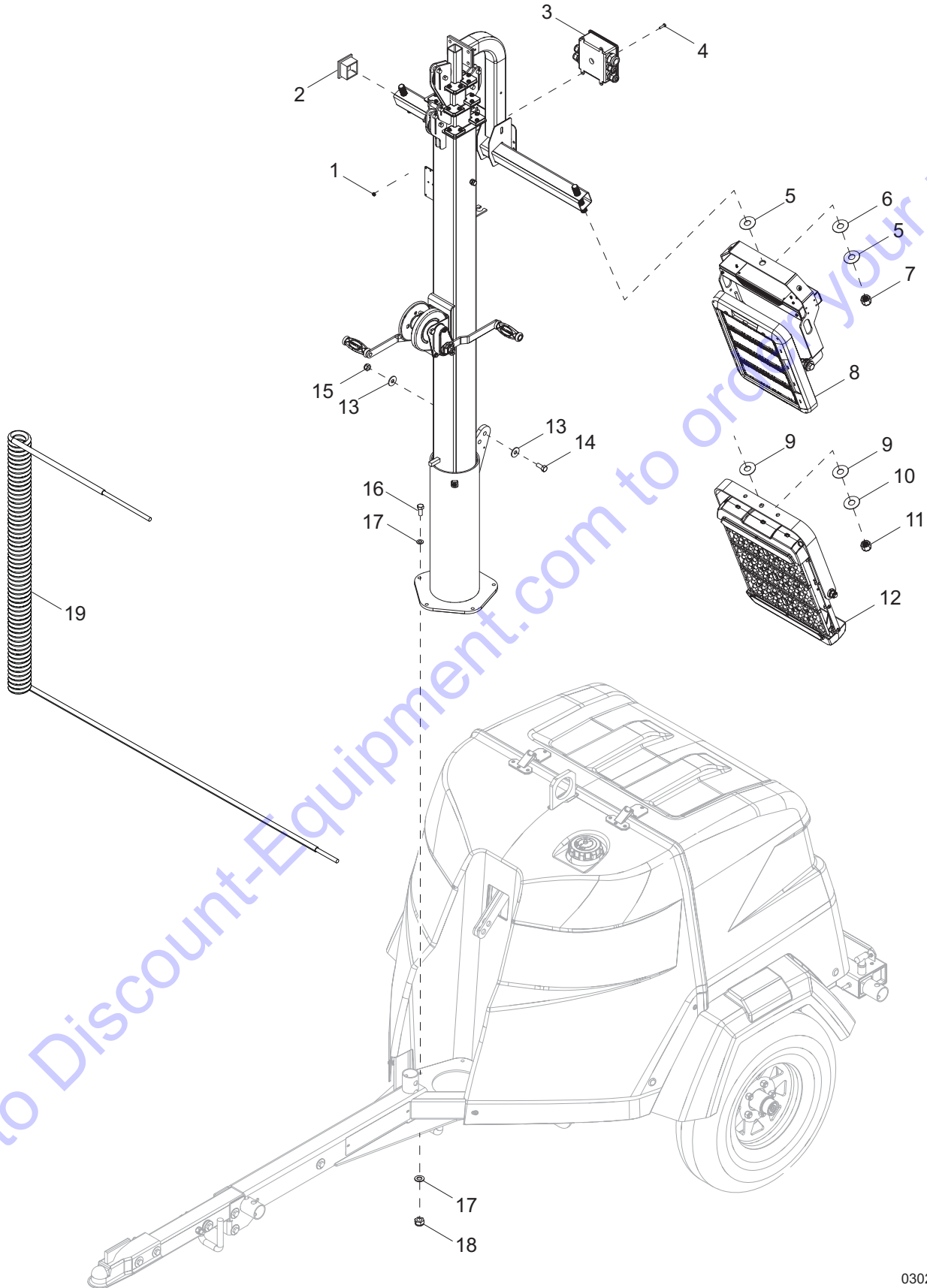
Go to Discount-Equipment.com to order your parts

UNIT DECALS - INSIDE UNIT

Item	Part No.	Qty	Description	Notes
1	55016	1	Decal, safety MLT6SMD	
2	12142	1	Decal, ground	
3	A0000161315	1	Decal, control panel	
4	72132	1	Reflector, rear 2.0 x 2.0 - red	set of two
5	A0000116250	1	Decal, hot exhaust above	

Go to Discount-Equipment.com to order your parts

MAST, JUNCTION BOX AND LIGHTS TO UNIT

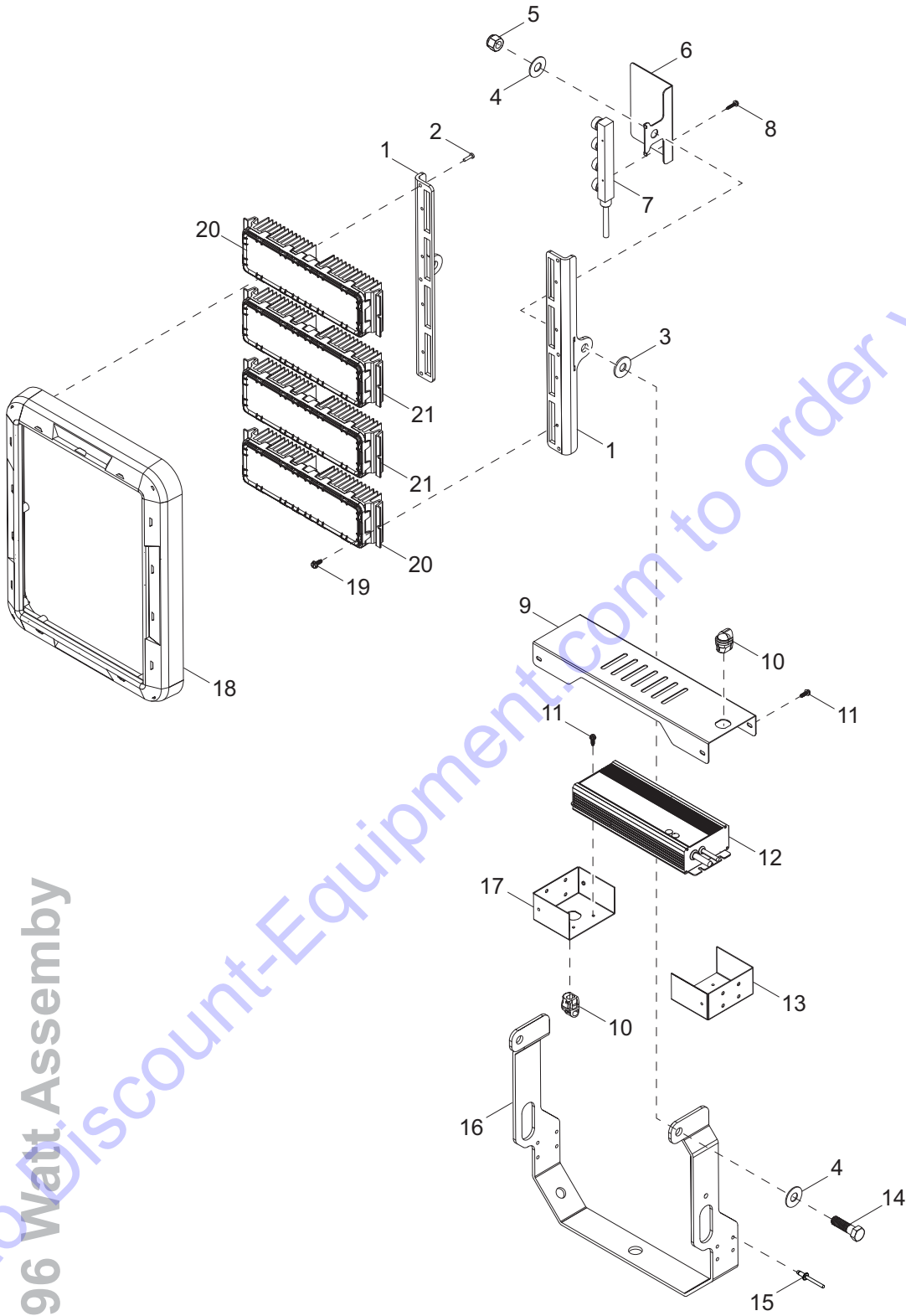


03021

MAST, JUNCTION BOX AND LIGHTS TO UNIT

Item	Part No.	Qty	Description	Notes
1	60415	4	Nut, 10-32 nylock, SS	
2	10000023259	2	Plug, 2.0 square x .14 ga wall tube, plastic	
3	A0000073922	1	Assembly, mast junction box	
4	60062	4	Screw, 10-32 x .750 pan Phillips, G2	296W version
5	63357	8	Washer, .750 flat 2.0/.062 - plastic	296W version
6	60247	4	Washer, .750 flat 2.020/.130	296W version
7	60308	4	Nut, .750-10 nylock - SS	296W version
8	10000019145	4	Assembly, LED light - 4 module, horizontal	296W version
9	A0000221212	8	Washer, M12 x 37 flat - nylon	320W version
10	G052259	4	Washer, M12 flat	320W version
11	60305	4	Nut, M12-1.75 nylock, G8.8	320W version
12	A0000092363	4	Assembly, LED light - 320W - hard wire	320W version
13	60309	4	Washer, .500 flat 1.060/.090	
14	60484	2	Screw, .500-13 x 2.0 standard hex, G5	
15	60139	5	Screw, .375-16 x 1.50 hex, G5	
16	62221	2	Nut, .500-13 nylock, G5	
17	60386	10	Washer, .375 flat .993/.064	
18	60358	5	Nut, .375-16 nylock, G5	
19	A0000098118	1	Assembly, coil cord w/155 inch tail	

LIGHT ASSEMBLY - 296 WATT



Go to Discount-Equipment.com to order your parts

296 Watt Assembly

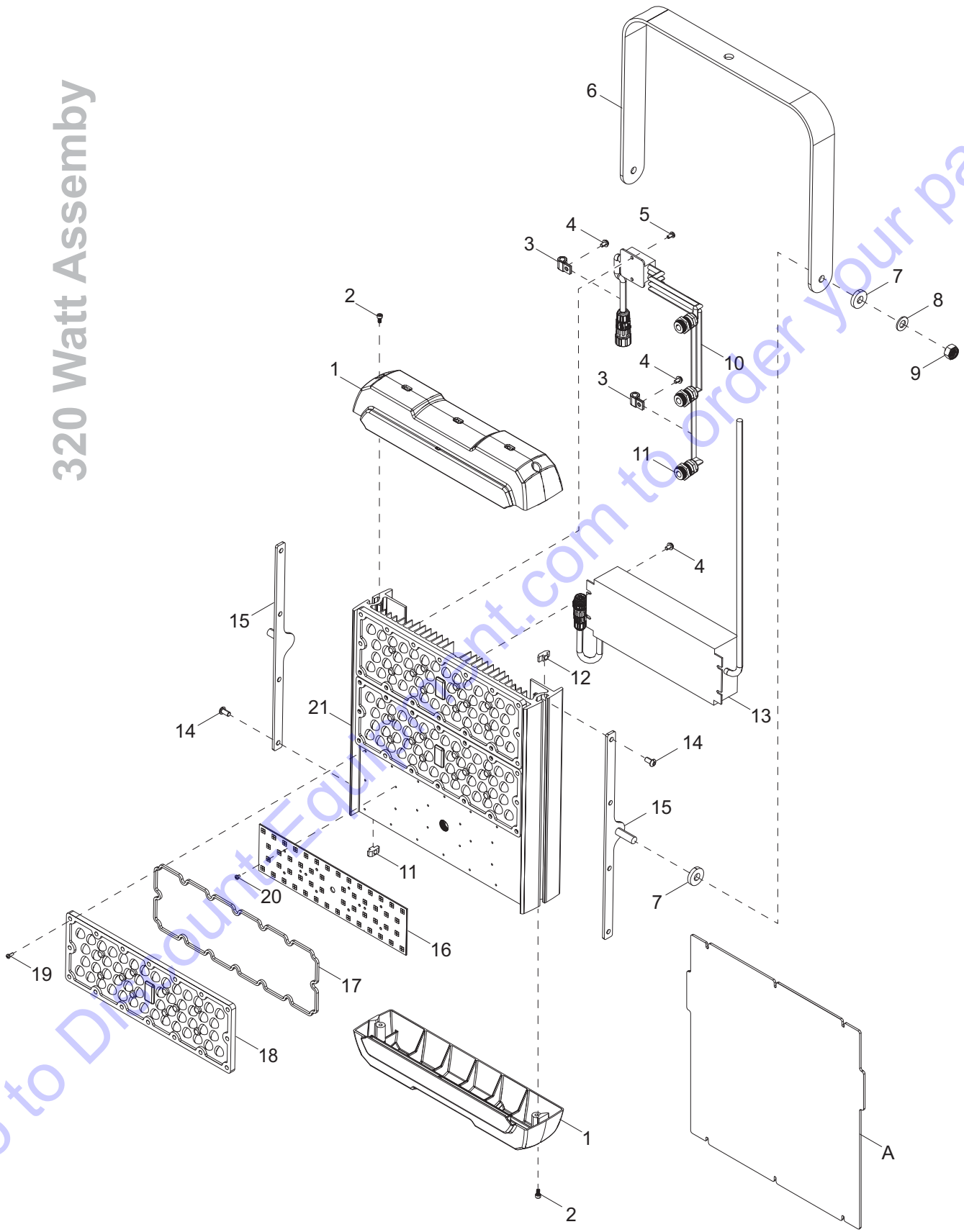
02880

LIGHT ASSEMBLY - 296 WATT

Item	Part No.	Qty	Description	Notes
1	10000046102	2	Frame support, LED module - horizontal	
2	10000019163	6	Screw, 8-16 x .625 PLST pan Phillips - black	
3	72134	2	Washer, .500 nylon 1.25/.100	
4	60700	4	Washer, .500 flat 1.250/.060 - SS	
5	62221	2	Nut, .500-13 nylock, G5	
6	10000019164	1	Bracket, connection block	
7	72120	1	Connector block, LED module	
8	73219	2	Screw, #6-20 x .75 sheet metal - SS	
9	10000019153	1	Enclosure, LED driver	
10	10000019152	2	Bushing, strain relief - right angle	
11	10000023706	4	Screw, 8-32 x .500 hex flanged - black	
12	72178	1	Driver, LED 30V 10.7A 321W	
13	10000023684	1	End cap 1, LED driver	
14	62249	2	Screw, .500-13 x 1.250 standard hex - SS	
15	60268	8	Rivet, .188 diameter x .126 to .250 grip	
16	10000023721	1	Trunnion, LED module - horizontal	
17	10000023663	1	End cap 2, LED driver	
18	10000019135	1	End cap, LED module	
19	10000019182	8	Screw, 10-24 x .500 hex flanged	
20	10000019170	2	Module, 60° LED 24-27VDC 60W	
21	10000019160	2	Module, 40° 28 LED 24-27VDC	
--	10000023665	1	Cord, 18/3C, ST00W/SE00W 6.00 w/terminals	
--	10000019079	4	Pigtail, 22-14GA, 3M, 314IDC	

LIGHT ASSEMBLY - 320 WATT

320 Watt Assembly



03022

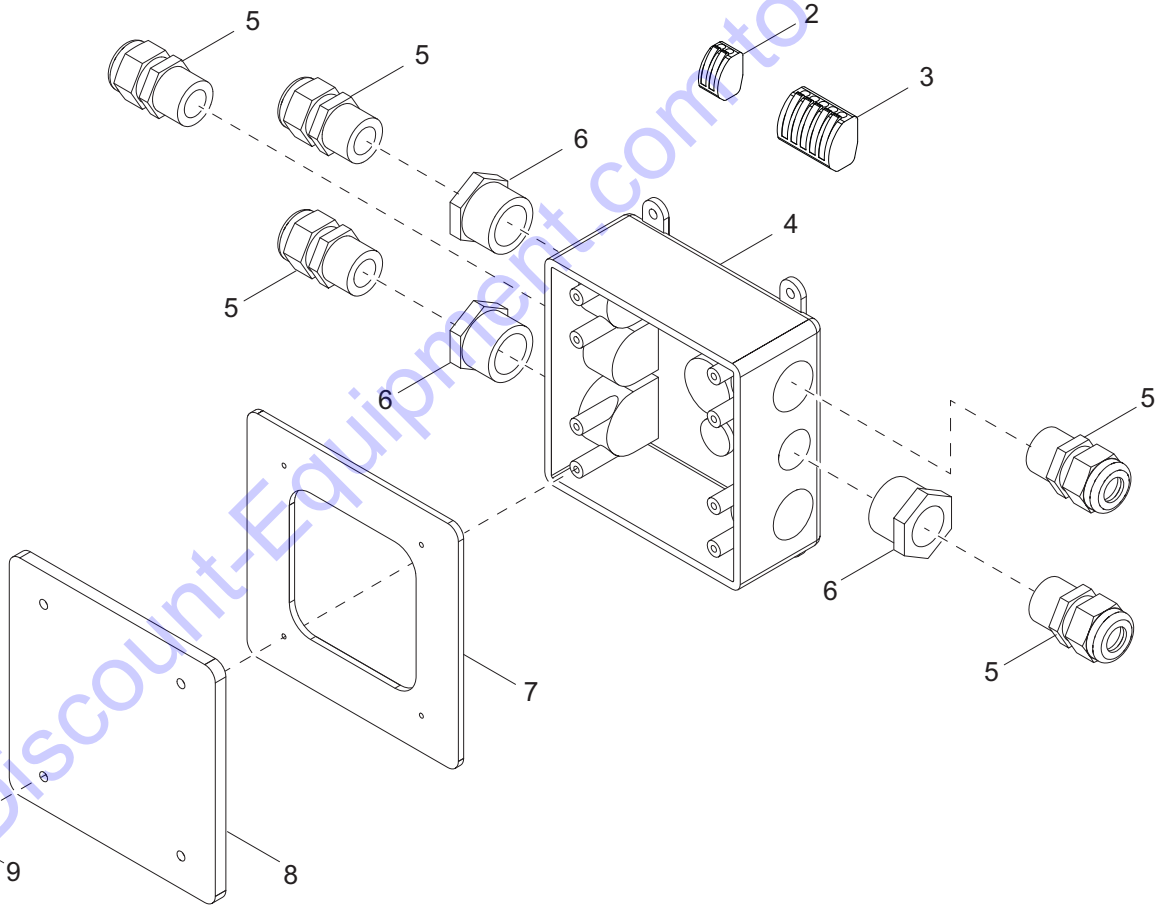
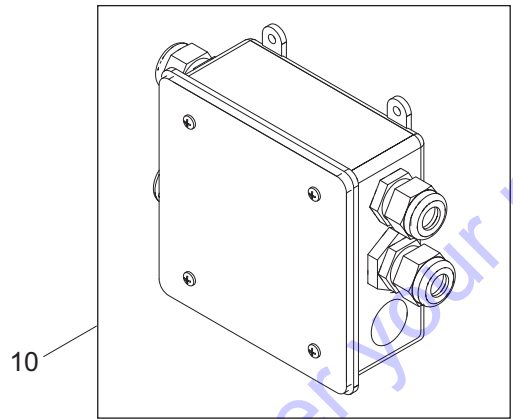
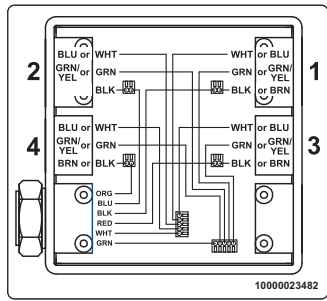
LIGHT ASSEMBLY - 320 WATT

Item	Part No.	Qty	Description	Notes
1	A0000092362	2	End cap, with diffuser slot	
2	A0000188756	4	Screw, M4-.7 x 12	
3	G020151	2	Clamp, .312 x .302 - steel/vinyl	
4	0G7070	6	Screw, M4-.7 x 14 PPHM	
5	G020745	2	Screw, M4-.7 x 12 PPHM	
6	A0000188712	1	Bracket, trunnion - 320W	
7	A0000188752	4	Washer, M10 ID x 25MM OD x 5 MM T	
8	60027	2	Washer, M10 flat	
9	A0000009451	2	Nut, M10-1.50 nylock, G8.8	
10	A0000188731	1	Cable, 2 position, 3 way splitter - parallel	
11	A0000092266	3	Strain relief, 320W LED	
12	A0000188739	8	Nut, M6-1.00 x 12 hammer	
13	A0000188779	1	Assembly, driver with connector	
14	A0000214354	8	Screw, M6-1.0 x 12 BHSC - black	
15	A0000095202	2	Bracket, trunnion to frame	
16	A0000092359	3	LED, PCB populated 3030	
17	A0000092361	3	Gasket, optical lens seal	
18	A0000092360	3	Lens, optical 60°	
19	A0000192578	48	Screw, mounting - optical lens	
20	A0000192575	30	Screw, mounting - PCB	
21	A0000092179	1	Frame, heat sink 320W - LED	

Diffused Lighting (If equipped):

A	A0000095669	1	Kit, diffuser lens 320W - LED
--	A000027701	1	Kit, diffuser lens storage 320W - LED

MAST JUNCTION BOX ASSEMBLY - HARD WIRED LIGHTS



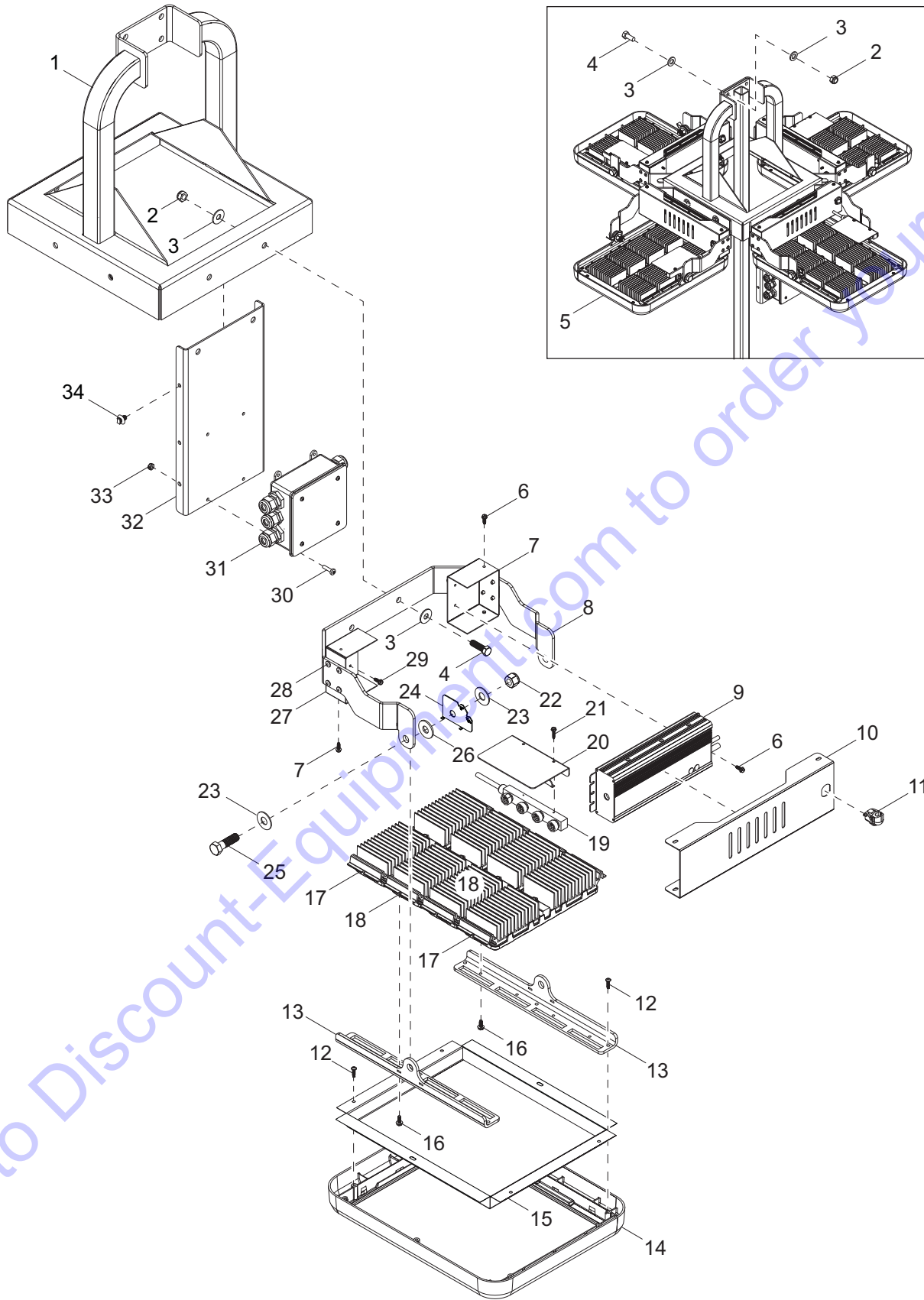
02607

MAST JUNCTION BOX ASSEMBLY - HARD WIRED LIGHTS

Item	Part No.	Qty	Description	Notes
1	10000023482	1	Decal, mast junction box	
2	66100	4	Connector, 2 position	
3	66102	2	Connector, 5 position	
4	12094	1	Box, junction	
5	60755	3	Fitting, straight .750MNPT x .500FNPT, nylon	
6	15864	5	Strain relief, .500NPT water tight	
7	13749SRV	1	Gasket, junction box - HFI 281000	
8	12109	1	Cover, box, 2-gang plastic	
9	60424	4	Screw, 6-32 x .750 pan Phillips, G2	
10	A0000073922	1	Assembly, mast junction box	

Go to Discount-Equipment.com to order your parts

DIFFUSED LIGHTING 296W (IF EQUIPPED)

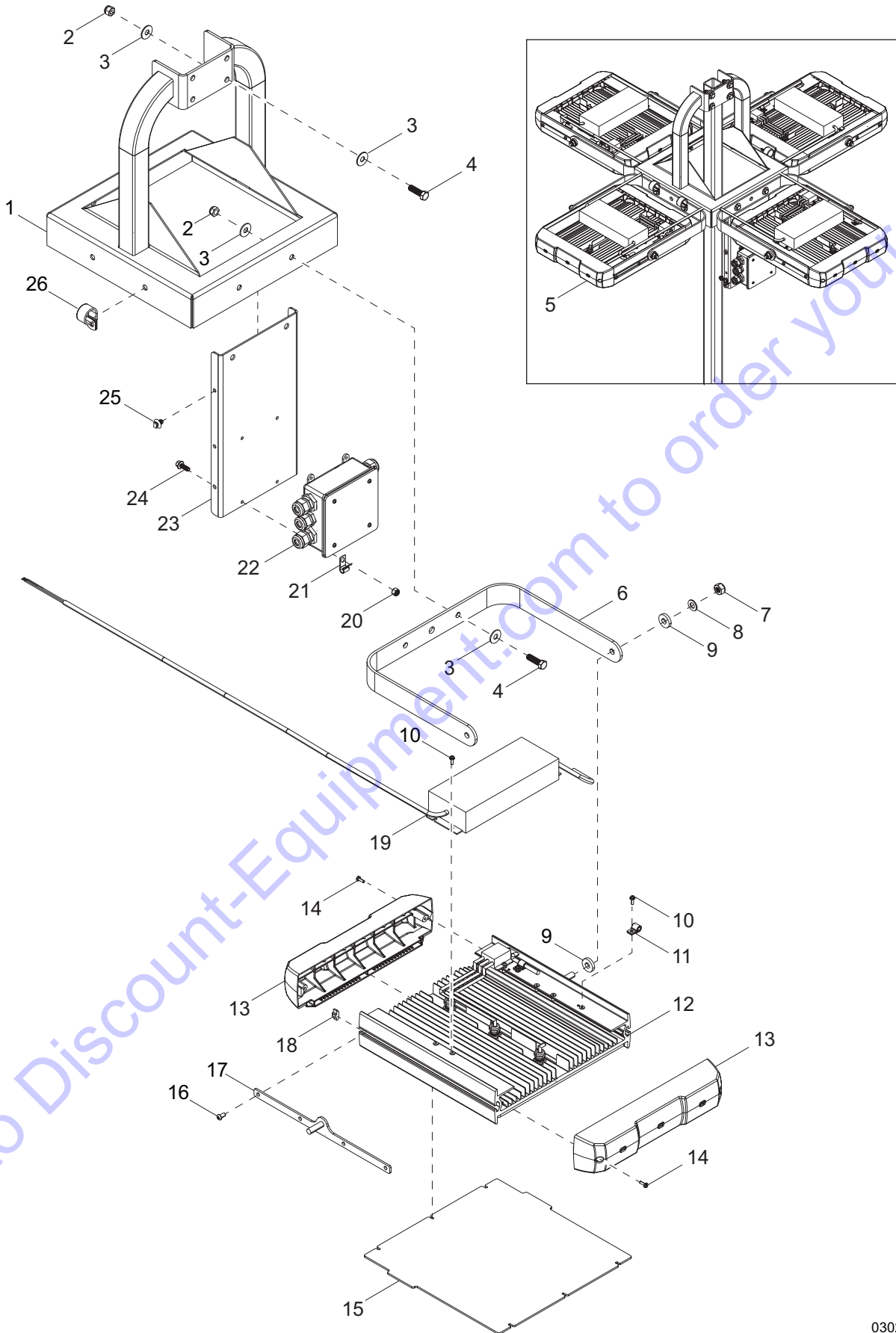


02703

DIFFUSED LIGHTING 296W (IF EQUIPPED)

Item	Part No.	Qty	Description	Notes
1	10000035385	1	Weldment, mount 4 - diffused	
2	60358	12	Nut, .375-16 nylock, G5	
3	60386	24	Washer, .375 flat .993/-.64	
4	60352	12	Screw, .375-16 x 1.250 hex, G5	
5	10000035376	4	Assembly, 4 LED lights - diffused	
6	10000023706	8	Screw, 8-32 x .500 flanged hex	
7	10000023684	1	End cap 1, driver - LED	
8	10000035410	1	Bracket, trunnion - 4 mod diffused	
9	72178	1	Driver, LED 30V, 10.7A, 321W	
10	10000019153	1	Assembly, driver enclosure - LED	
11	10000019152	2	Bushing, strain relief - right angle	
12	10000019163	4	Screw, 8-16 x 8/8 pan Phillips - black	
13	10000046102	2	Support, horizontal frame, 4 module - LED	
14	10000019135	1	Assembly, end cap, horizontal - LED	
15	10000020598	1	Lens, diffuser 90°	
16	10000019182	8	Screw, 10-24 x .500 flanged hex - black	
17	10000019170	2	Module, 60° LED 24-27VDC 60W	
18	10000019160	2	Module, 40° 28 LED 24-27VDC	
19	72120	1	Connector block, 4 module - LED	
20	10000019164	1	Bracket, conn block	
21	73219	2	Screw, #6-20 x .750 sheet metal - SS	
22	62221	2	Nut, .500-13 nylock, G5	
23	60700	4	Washer, .500 flat 1.250/.060 - SS	
24	10000044708	1	Bracket, stop 45° - 4 mod diffused	
25	62249	2	Screw, .500-13 x 1.250 standard hex - SS	
26	72134	2	Washer, .500 nylon 1.25/.100	
27	10000023663	1	End cap 2, driver - LED	
28	60268	8	Rivet, .188 diameter x .126 t0 .250 grip - SS	
29	10000019172	1	Screw, 8-32 x 3/8 flanged hex - green	
30	60062	4	Screw, 10-32 x .750 pan Phillips, G2	
31	A0000073922	1	Assembly, mast box - hard wire	
32	10000035367	1	Bracket, J box mount	
33	60061	4	Nut, 10-32 nylock	
34	66685	4	Mount, cable tie .25-.28 diameter, .031-.276 grip	
--	10000019079	4	Pigtail, 22-14GA, 3M, 314IDC	
--	10000023665	1	Cord, 18/3C, ST00W/SE00W 6.00 w/terminals	
--	34552	4	Clamp, tubing 1.00HD, .406 hole, .75WD	

DIFFUSED LIGHTING 320W (IF EQUIPPED)



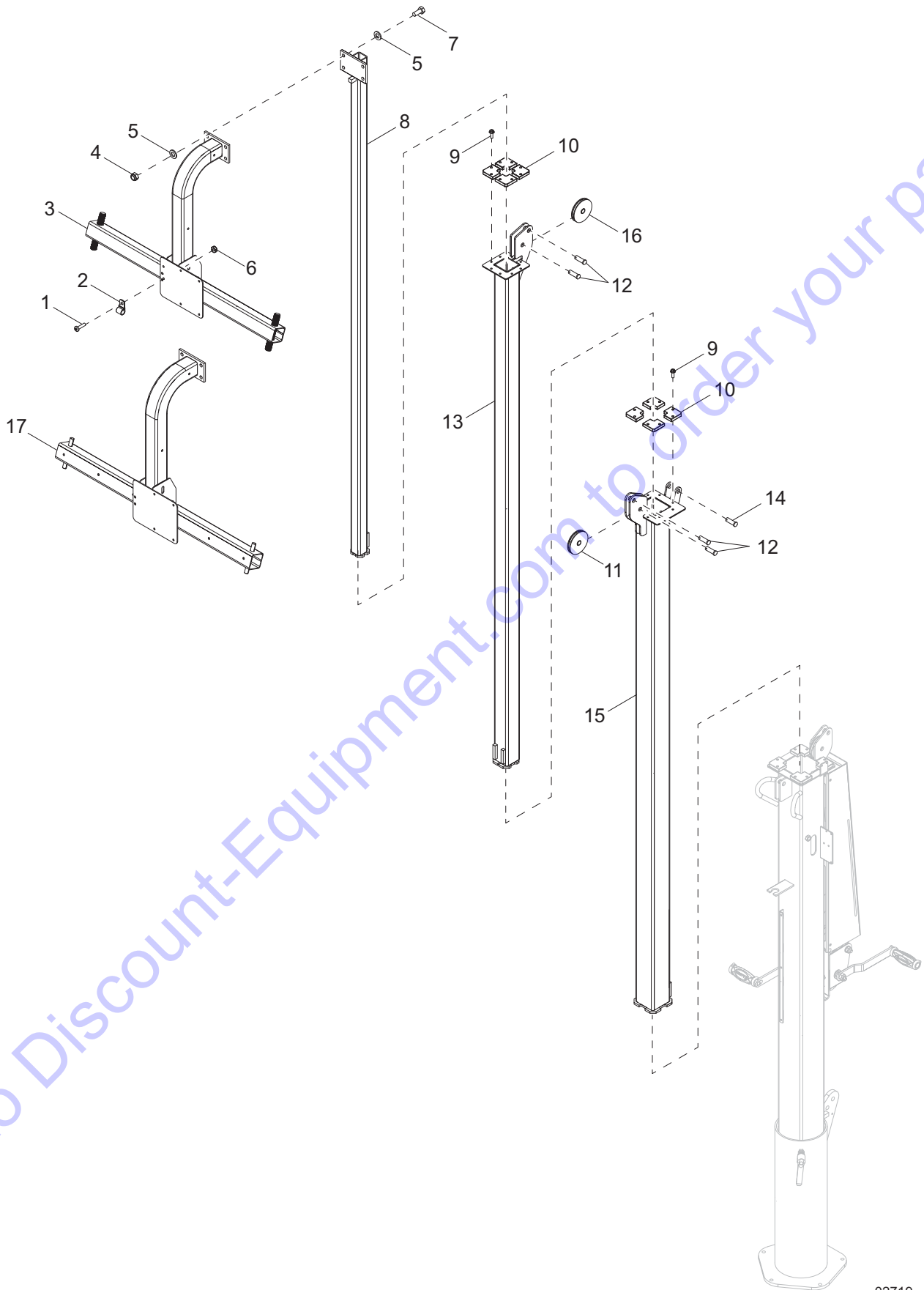
Go to Discount-Equipment.com to order your parts

03023

DIFFUSED LIGHTING 320W (IF EQUIPPED)

Item	Part No.	Qty	Description	Notes
1	10000035385	1	Weldment, mount 4 - diffused	
2	60358	12	Nut, .375-16 nylock, G5	
3	60386	24	Washer, .375 flat .993/-.64	
4	60352	12	Screw, .375-16 x 1.250 hex, G5	
5	A0000193163	1	Assembly, diffused lighting 320W	
6	A0000188712	1	Bracket, trunnion	
7	A0000009451	2	Nut, M10-1.50 nylock, G8.8	
8	60027	2	Washer, M10 flat	
9	A0000188752	4	Washer, M10 ID x 25MM OD x 5MM T	
10	0G7070	5	Screw, PPHM M4A0.7 x 14 SEMS	
11	G020151	2	Clamp, .312 x .203	
12	A0000188772	1	Assembly, 320W module - LED	
13	A0000092362	2	End cap, w/diffuser slot	
14	A0000188756	4	Screw, M4-0.7 x 12 - trilobular	
15	A0000095669	1	Lens, diffuser 320W - LED	
16	A0000214354	8	Screw, M6-1.0 x 12 button head hex - black	
17	A0000095202	2	Bracket, trunnion to frame	
18	A0000188739	8	Nut, M6-1.00 x 12 hammer	
19	A0000188779	1	Assembly, driver with connector	
20	60787	4	Nut, .250-20 nylock - SS	
21	60375	1	Clamp, tubing .312 - light duty	
22	10000023328	1	Assembly, mast junction box	
23	10000035367	1	Bracket, J box mount	
24	60107	4	Screw, .250-20 x .750 serrated flange hex, G5	
25	66685	4	Mount, cable tie .25-28 diameter .031-.270 grip	
26	34552	4	Clamp, tubing 1.00HD, .406 hole, .75WD	
--	A0000098118	1	Assembly, coil cord	

MAST ASSEMBLY

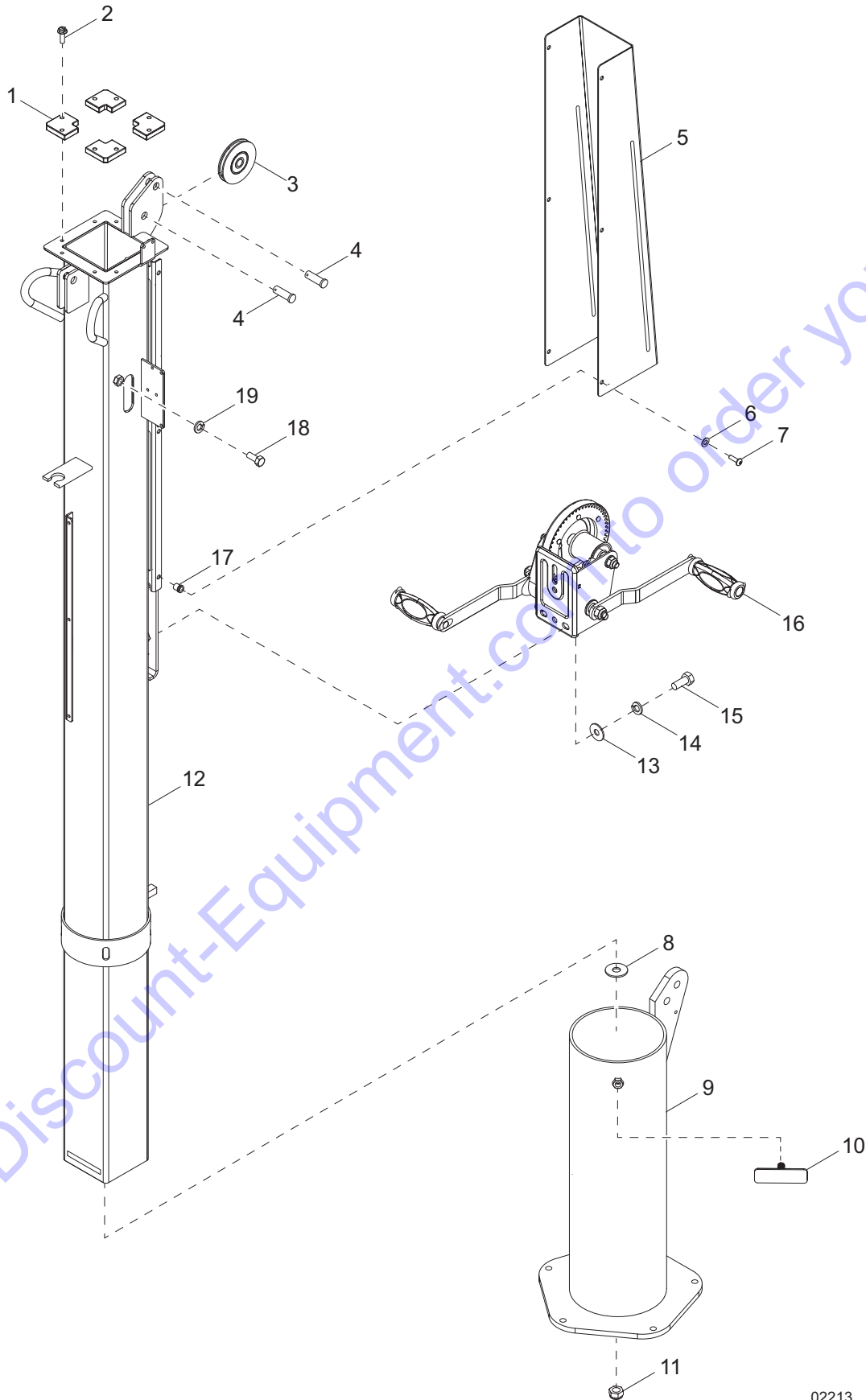


02719

MAST ASSEMBLY

Item	Part No.	Qty	Description	Notes
1	60107	1	Screw, .250-20 x .750 serrated flange hex, G5	
2	60375	1	Clamp, tubing .312 - lt duty	
3	43201B	1	Weldment, mast, crossbar	296W version
4	60358	4	Nut, .375-16 nylock, G5	
5	60386	8	Washer, .375 flat .993/.064	
6	60787	1	Nut, .250-20 nylock - SS	
7	60352	4	Screw, .375-16 x 1.250 hex, G5	
8	31264B	1	Weldment, mast - 1.50	
9	63358	16	Screw, .250-20 x .625 hex wash hd	
10	31225	8	Guide	
11	33736	1	Assembly, pulley - vertical mast	
12	63325	4	Pin, clevis .500 diameter x 1.063 UL	
13	31261B	1	Weldment, mast - 2.25	
14	35655	1	Pin, clevis .500 diameter x 1.750 ZP	
15	37465B	1	Weldment, mast - 3.0	
16	14262	1	Sheave, 3.00	
17	A0000199129	1	Weldment, mast, crossbar	320W version
--	31247	1	Cable, .188 x 144 w/ball swedge	winch cable
--	31248	2	Cable, .188 x 79.750 w/ball swedge	middle cable
--	31277	1	Cable, .188 x 78.0 w/ball swedge	top cable

MAST ASSEMBLY - BOTTOM POST - MANUAL WINCH



Go to Discount-Equipment.com to order your parts

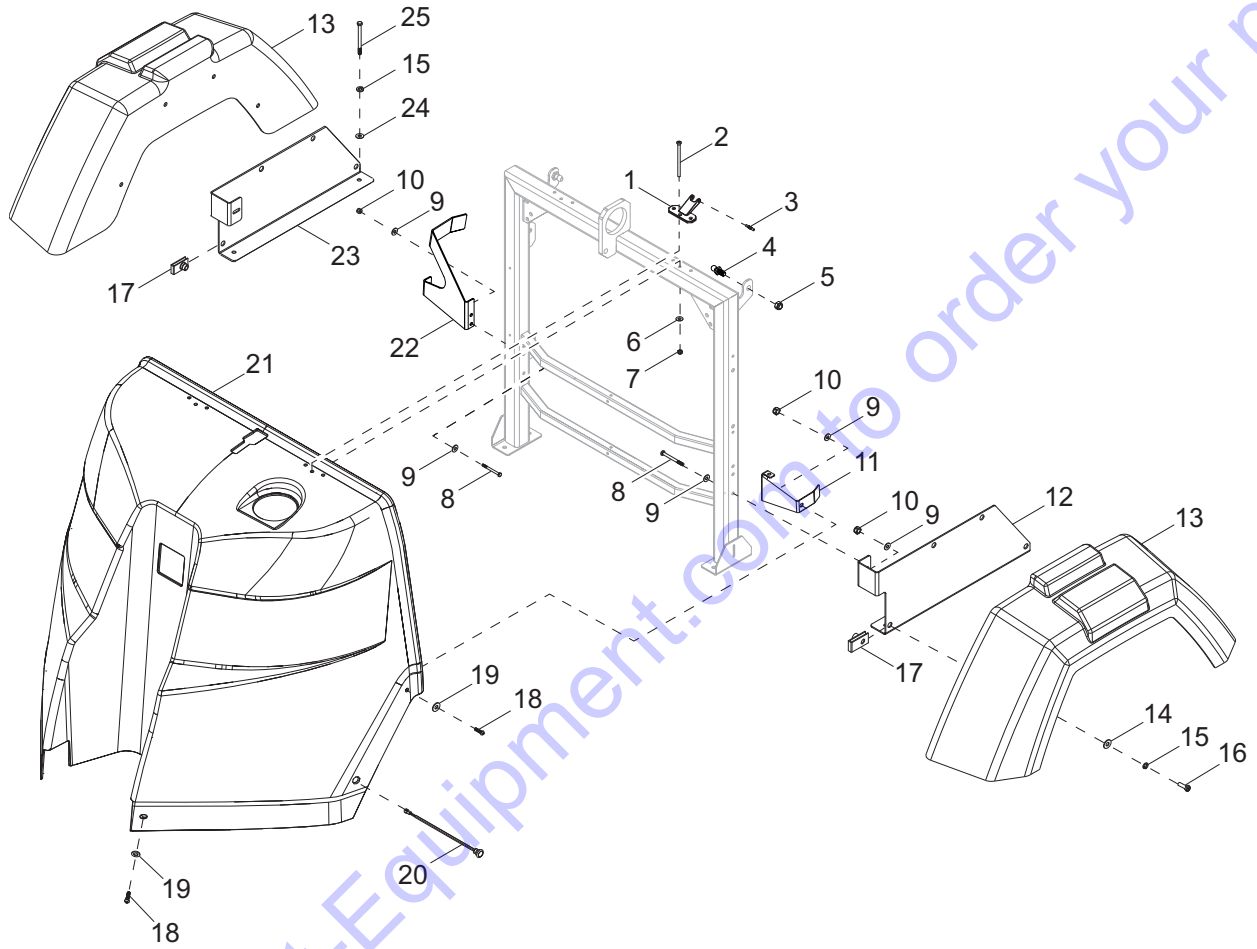
02213

MAST ASSEMBLY - BOTTOM POST - MANUAL WINCH

Item	Part No.	Qty	Description	Notes
1	31225	4	Guide	
2	63358	8	Screw, .250-20 x .625 hex washer head	
3	33736	1	Assembly, pulley vertical mast	
4	63325	2	Pin, clevis .500 diameter x 1.063 UL	
5	72116B	1	Guard, cable	
6	60067	6	Washer, #10 flat .435/.060 - SS	
7	60398	6	Screw, 10-32 x .500 pan Phillips - SS	
8	60247	1	Washer, .750 flat 2.020/.130	
9	31218B	1	Weldment, mast rotation tube	
10	10000018317	1	Weldment, T-handle	
11	60584	1	Nut, .750-10 nylock, G5	
12	73158B	1	Weldment, mast 4.0 in	
13	60386	3	Washer, .375 flat .993/.064	
14	60206	3	Washer, .375 split lock - hardened	
15	60205	3	Screw, .375-16 x 1.0 hex, G5	
16	72127	1	Winch, manual - 1500 lb, dual handle	
17	32922	6	Insert, threaded 10-32 splined, .020-.130 grip	
18	62269	2	Screw, .375-16 x .75 hex, SS - red	
19	60703	2	Washer, .375 split lock, SS	

Go to Discount-Equipment.com to order your parts

ENCLOSURE ASSEMBLY (1 OF 2)

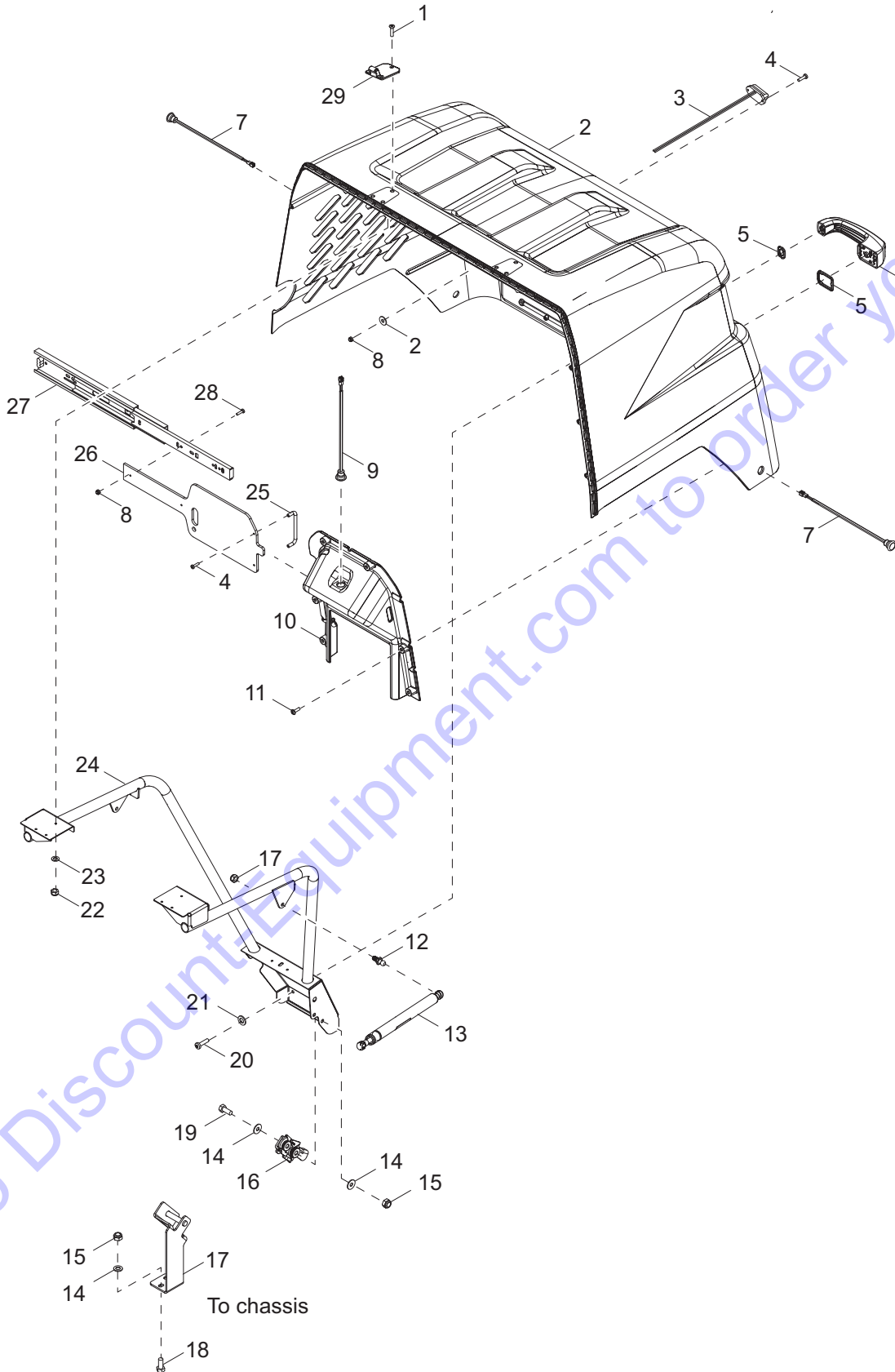


02435

ENCLOSURE ASSEMBLY (1 OF 2)

Item	Part No.	Qty	Description	Notes
1	10000022542	2	Hinge, offset housing leaf - front	
2	35282	6	Screw, 10-24 x 3.0 flat head Phillips, SS	
3	10000022543	2	Pin, offset housing hinge - knurled	
4	35293	2	Ball stud, 10mm, .312-18	
5	60303	2	Nut, .312-18 nylock, G2	
6	60237	12	Washer, #10 flat .495/.036	
7	60457	12	Nut, M6-1.0 weld, class 5	
8	61234	6	Screw, .250-20 x 2.750 standard hex, G5	
9	60243	12	Washer, .250 flat .735/.060	
10	60144	8	Nut, .250-20 nylock, G5	
11	10000017357	1	Guide bracket, enclosure meeting -LH	
12	35141B	1	Bracket, mounting fender - left	
13	10000017287	2	Fender, plastic, 13 in. wheel	
14	60386	8	Washer, .375 flat .993/.064	
15	60271	8	Washer, .312 split lock	
16	60028	8	Screw, .312-18 x 1.0 standard hex, G5	
17	62086	8	Nut, .312-18 U-clip - short type	
18	68070	4	Screw, .250-20 x 1.00 button hex, SS	
19	60696	6	Washer, .250 flat .625/.050, SS	
20	36961	2	Assembly, amber side marker light	
21	10000012597	1	Enclosure, front cover	
22	10000017378	1	Guide bracket, enclosure meeting -RH	
23	35216B	1	Bracket, mounting fender - right	
24	60119	6	Washer, .312 flat .875/.070	
25	60404	4	Screw, .312-18 x 1.250 standard hex, G5	

ENCLOSURE ASSEMBLY (2 OF 2)

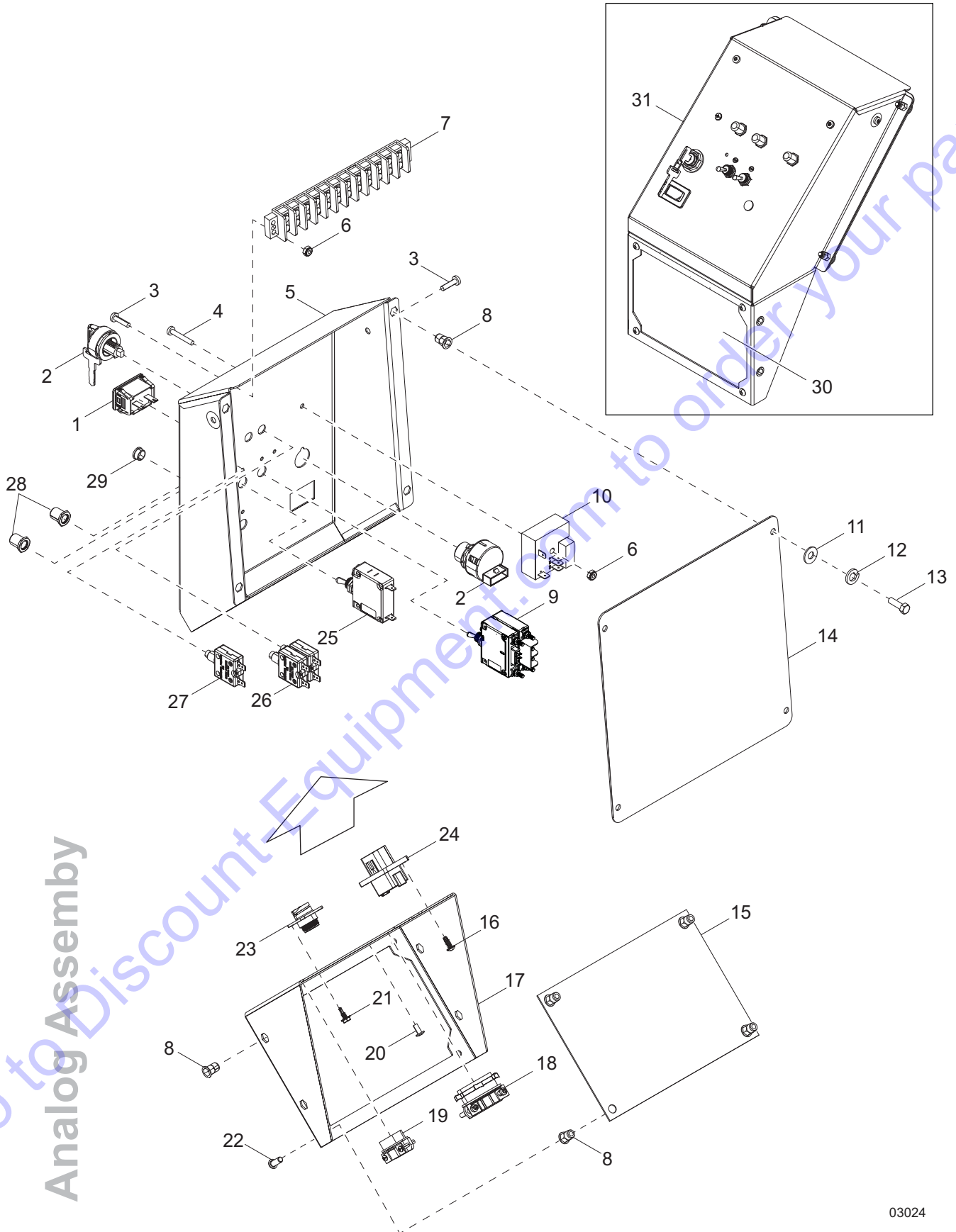


02881

ENCLOSURE ASSEMBLY (2 OF 2)

Item	Part No.	Qty	Description	Notes
1	35290	6	Screw, 10-24 x 1.00 flat Phillips, SS	
2	10000017940	1	Housing, rear textured - orange	
3	36963	1	Assembly, license plate light	
4	60694	4	Screw, 8-32 x .750 pan Phillips, SS	
5	70216	1	Gasket, kit handle, push button	
6	35138	1	Handle, push-button padlock	
7	36962	2	Assembly, red side marker	
8	60270	4	Nut, 8-32 nylock, class 6	
9	36964	1	Assembly, controls light	
10	10000012596	1	Bezel, control panel textured - black	
11	10000017348	6	Screw, D60-2.14 x 20TRWH	
12	35293	2	Ball stud, 10mm, .313-18	
13	35137	2	Gas shock, 120 lb	
14	60119	6	Washer, .312 flat .875/.070	
15	60303	6	Nut, .312-18 nylock, G2	
16	35139	1	Latch, rotary	
17	37178B	1	Mount, door latch striker	
18	61066	2	Screw, .312-18 x 1.00 carriage square - SS	
19	62001	2	Screw, .312-18 x 1.250 standard hex, G5	
20	60146	3	Screw,	
21	60243	3	Washer, .250 flat .735/.060	
22	60457	6	Nut, 10-24 nylock, G2 ZC	
23	60237	2	Washer, #10 flat .495/.036 ZC	
24	37012B	1	Weldment, enclosure structure	
25	37123	1	Handle, control box cover	
26	10000017623	1	Cover, sliding control panel	
27	36914	1	Slide, control box cover	
28	62054	2	Screw, 8-32 x .500 pan Phillips - SS	
29	10000022523	2	Hinge, leaf offset housing - rear	
--	10000046296	1	Assembly, rear enclosure	Items 1-31
--	60335	1	Screw, M6-1.00 x 25 standard hex, SS	
--	60375	1	Clamp, tubing - .312 lt duty	

CONTROL BOX ASSEMBLY - ANALOG



Go to DiscountEquipment.com to order your parts

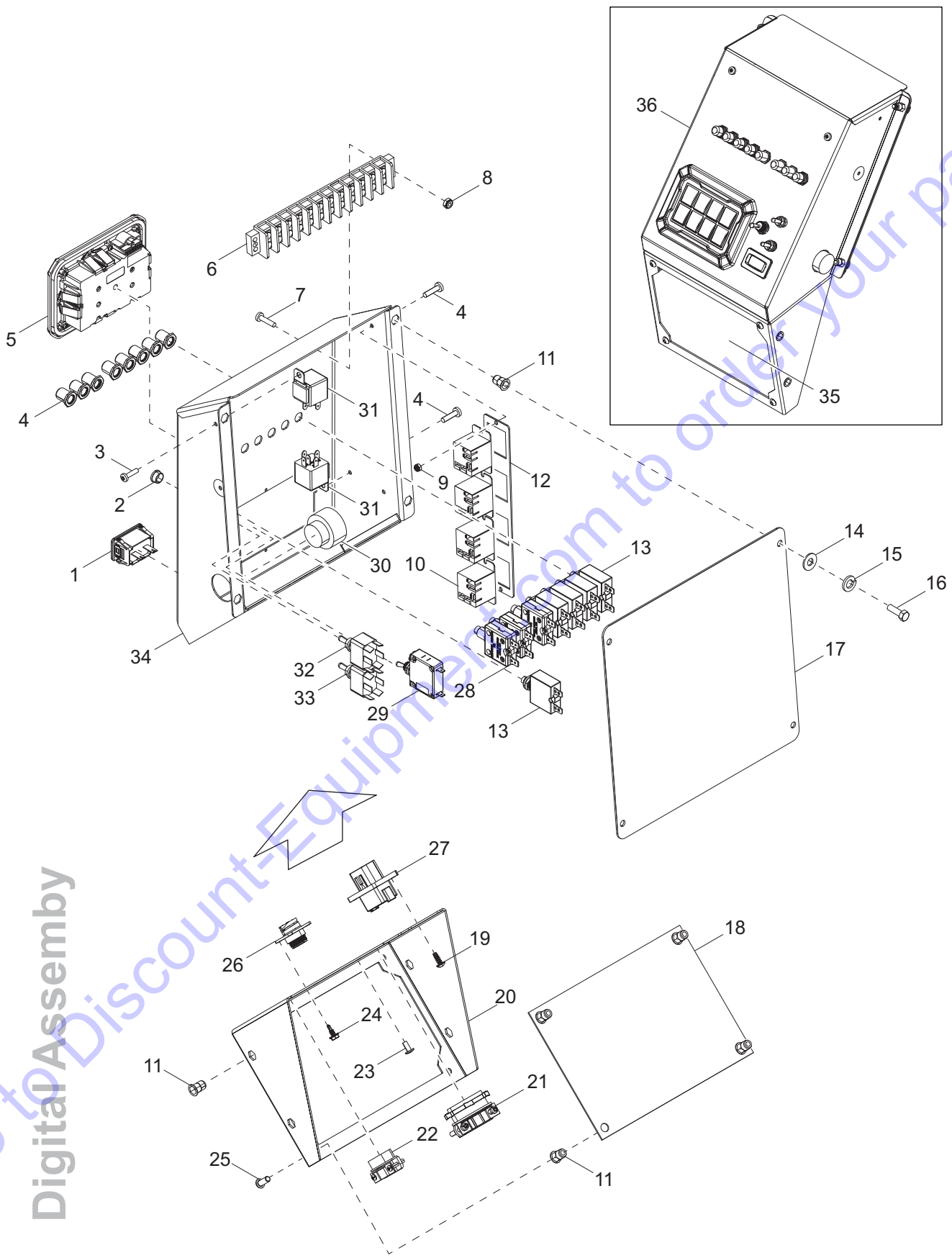
Analog Assembly

03024

CONTROL BOX ASSEMBLY - ANALOG

Item	Part No.	Qty	Description	Notes
1	36886	1	Meter, hour	
2	36882	1	Switch, sealed key - 4 position	
3	60062	4	Screw, 10-32 x .750 pan Phillips, G2	
4	63308	1	Screw, 10-32 x 1.250 pan Phillips - SS	
5	A0000108466	1	Box, control	
6	60061	5	Nut, 10-32 nylock	
7	14139	1	Terminal block, 12 position, 30A, 600V	
8	A0000181267	12	Insert, M6 x 1.0 hex nut .7-4.2MM	
9	A0000216316	1	Breaker, SLD 15A single pole	
10	14201	1	Relay, SPDT 10A 12VDC time delay-15 second	
11	60243	4	Washer, .250 flat .735/.060 - SS	
12	60286	4	Washer, .250 split lock	
13	60335	4	Screw, M6-1.00 x 25 standard hex - SS	
14	A0000141831	1	Cover, control box	
15	A0000141014	1	Panel, no receptacle	
16	37027	4	Screw, 10-12 x .500 pan Phillips - Plastite	
17	A0000108467	1	Bracket, receptacle mounting	
18	66425	1	Strain relief, 1.25 Romex w/nut	
19	14219	1	Strain relief, .750 Romex w/nut	
20	60268	5	Rivet, .188 diameter x .126 to .250 grip - SS	
21	60364	4	Screw, 10-16 x .500 standard hex, G2 - self drilling	
22	0A3359	4	Screw, M6-1.0 x 16 standard hex - SS	
23	10000031026	1	Connector, panel mount, 7 position	
24	66695	1	Connector, Deutsch 12 position recept/pin - flange	
25	36880	1	Switch, light 15A	
26	36935	2	Breaker, 15A 250V single pole	
27	36937	1	Breaker, 10A DC	
28	36938	3	Boot, push button breaker	
29	65798	1	Plug, hole .468 x .06 - black	
30	A0000139089	1	Assembly, no receptacle	items 8, and 15
31	A0000073941	1	Assembly, control box	

CONTROL BOX ASSEMBLY - DIGITAL (IF EQUIPPED)



Go to Discount-Equipment.com to order your parts

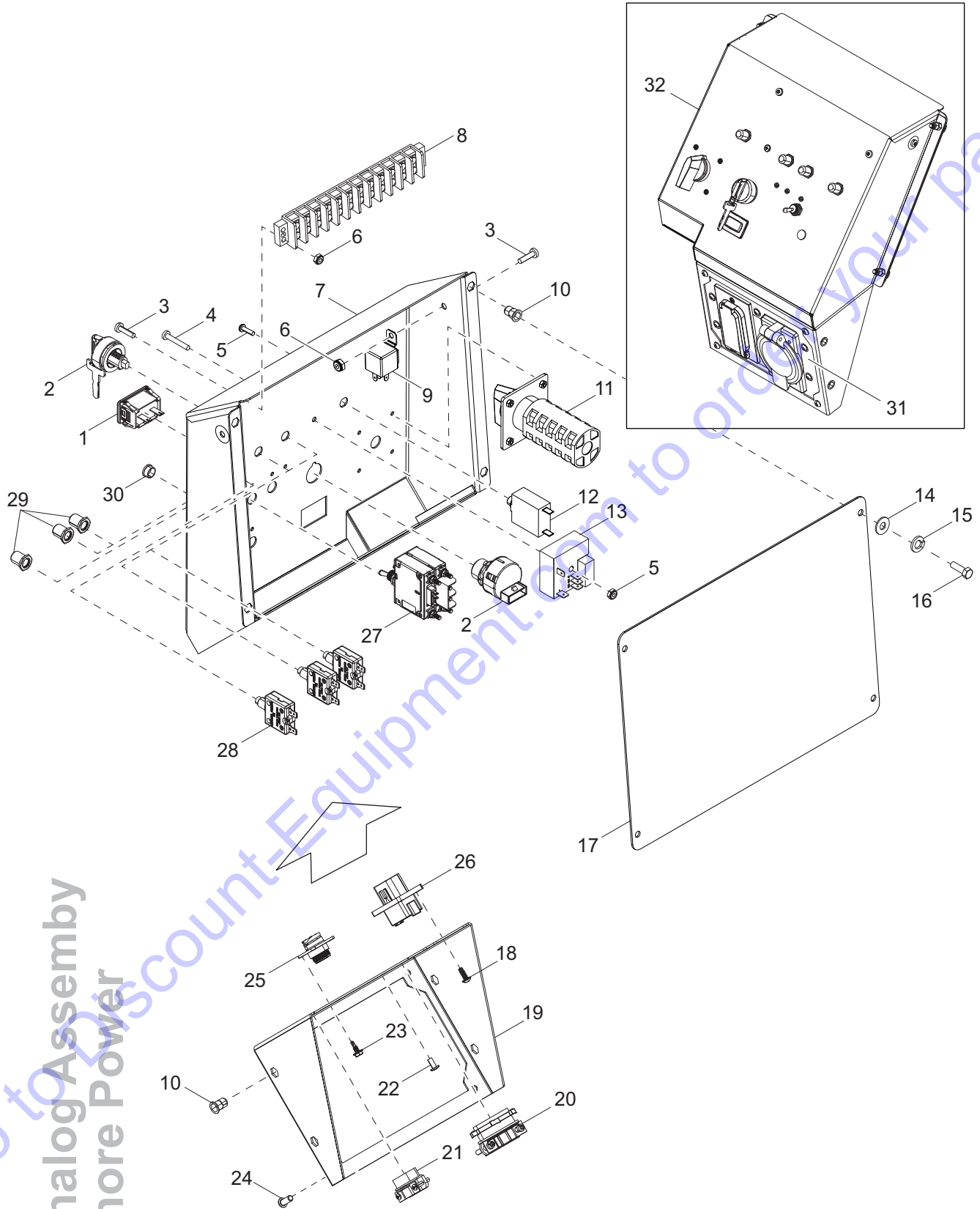
Digital Assembly

03025

CONTROL BOX ASSEMBLY - DIGITAL (IF EQUIPPED)

Item	Part No.	Qty	Description	Notes
1	36886	1	Meter, hour	
2	65798	1	Plug, hole .468 x .06 - black	
3	62054	4	Screw, 8-32 x .500 pan Phillips - SS	
4	36938	8	Boot, push button breaker	
5	A0000148033	1	Controller, digital	
6	14139	1	Block, terminal 12 position 30A, 600V	
7	60062	2	Screw, 10-32 x .750 pan Phillips, G2	
8	60061	2	Nut, 10-32 nylock	
9	60270	4	Nut, 8-32 nylock, G6	
10	29759	4	Relay, 12V coil 120-240 VAC rated	
11	A0000181267	8	Insert, M6 x 1.0 hex nut .7-4.2MM	
12	38447B	1	Bracket, relay	
13	75030	5	Breaker, 5A, 240V 1 pole - push button	
14	60243	4	Washer, .250 flat .735/.060 - SS	
15	60286	4	Washer, .250 split lock	
16	60335	4	Screw, M6-1.00 x 25 standard hex - SS	
17	A0000141831	1	Cover, control box	
18	A0000141014	1	Panel, no receptacle	
19	37027	4	Screw, 10-12 x .500 pan Phillips - Plastite	
20	A0000108467	1	Bracket, receptacle mounting	
21	66425	1	Strain relief, 1.25 Romex w/nut	
22	14219	1	Strain relief, .750 Romex w/nut	
23	60268	5	Rivet, .188 diameter x .126 to .250 grip - SS	
24	60364	4	Screw, 10-16 x .500 standard hex, G2 - self drilling	
25	0A3359	4	Screw, M6-1.0 x 16 standard hex - SS	
26	10000031026	1	Connector, panel mount, 7 position	
27	66695	1	Connector, Deutsch 12 position recept/pin - flange	
28	36937	3	Breaker, 10A DC	
29	A0000216316	1	Breaker, SLD 15A single pole	
30	73217	1	Horn, alarm 6-28V DC	
31	65049	2	Relay, 12V 30/40 N.O. w/diode	
32	68508	1	Switch, toggle SPST (on-off) 12A 125V	
33	10000031493	1	Switch, toggle SPDT spring - weatherproof	with electric winch
34	A0000222093	1	Control box, digital	
35	A0000139089	1	Assembly, no receptacle	items 11 and 18
36	A0000163330	1	Assembly, control box - digital	

ANALOG CONTROL BOX ASSEMBLY WITH SHORE POWER (IF EQUIPPED)



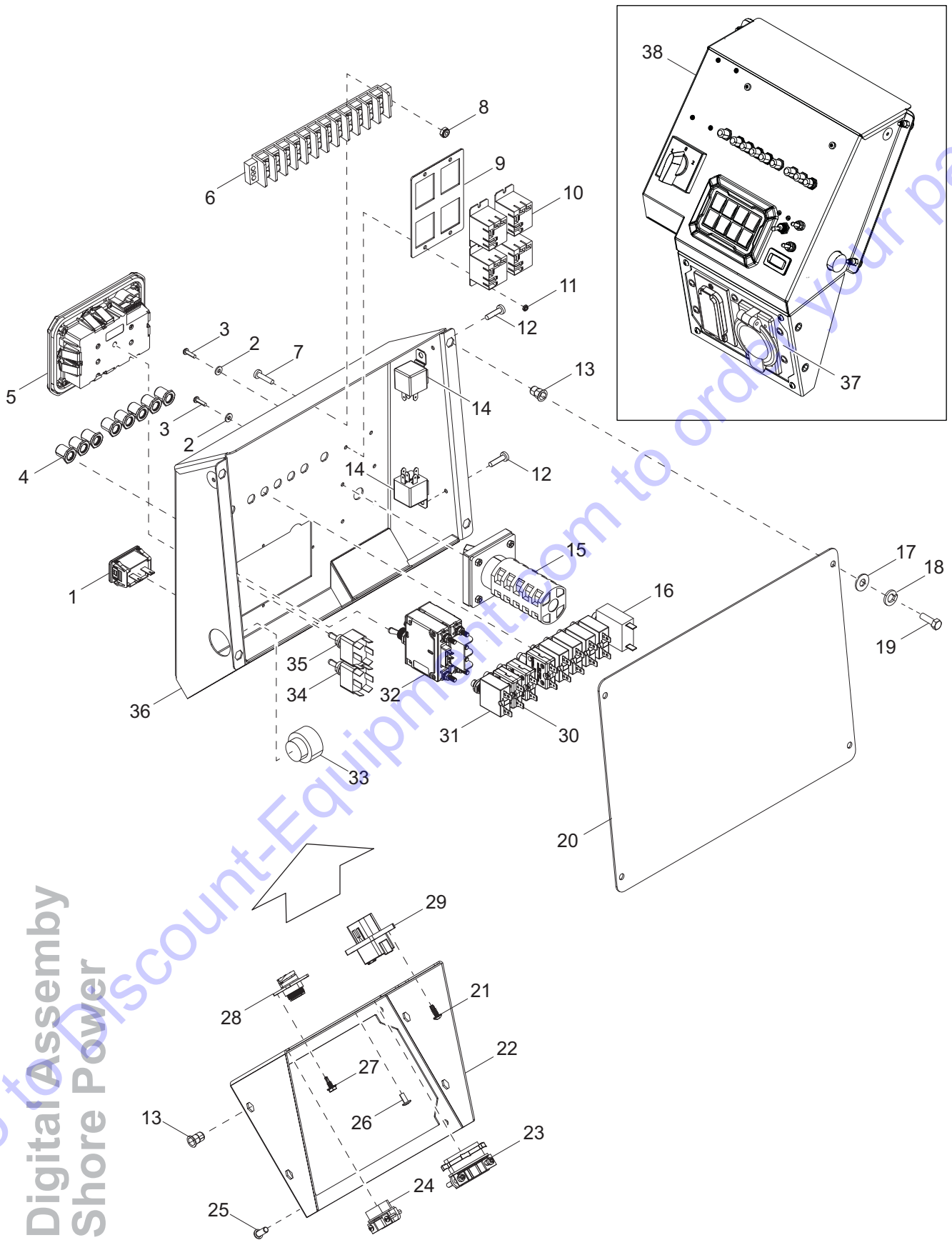
Go to Discount-Equipment.com to order your parts
Analog Assembly
Shore Power

03026

ANALOG CONTROL BOX ASSEMBLY WITH SHORE POWER (IF EQUIPPED)

Item	Part No.	Qty	Description	Notes
1	36886	1	Meter, hour	
2	36882	1	Switch, sealed key - 4 position	
3	60062	4	Screw, 10-32 x .750 pan Phillips, G2	
4	63308	1	Screw, 10-32 x 1.250 pan Phillips - SS	
5	62210	4	Screw, 6-32 x .500 pan Phillips - SS	
6	60061	5	Nut, 10-32 nylock	
7	A0000379693	1	Box, control	
8	14139	1	Terminal block, 12 position, 30A, 600V	
9	65049	1	Relay, 12V 30/40A N.O. w/diode	
10	A0000181267	12	Insert, M6 x 1.0 hex nut .7-4.2MM	
11	A0000419428	1	Switch, rotary 600V 20A, 3 position	
12	65849	1	Breaker, 20A, 120V 1 pole - push button	
13	14201	1	Relay, SPDT 10A 12VDC time delay-15 second	
14	60243	4	Washer, .250 flat .735/.060 - SS	
15	60286	4	Washer, .250 split lock	
16	60335	4	Screw, M6-1.00 x 25 standard hex - SS	
17	A0000380884	1	Cover, control box	
18	37027	4	Screw, 10-12 x .500 pan Phillips - Plastite	
19	A0000108467	1	Bracket, receptacle mounting	
20	66425	1	Strain relief, 1.25 Romex w/nut	
21	14219	1	Strain relief, .750 Romex w/nut	
22	60268	5	Rivet, .188 diameter x .126 to .250 grip - SS	
23	60364	4	Screw, 10-16 x .500 standard hex, G2 - self drilling	
24	0A3359	4	Screw, M6-1.0 x 16 standard hex - SS	
25	10000031026	1	Connector, panel mount, 7 position	
26	66695	1	Connector, Deutsch 12 position recept/pin - flange	
27	A0000310568	1	Breaker, SLD 20A, 2 pole	part of A0000356800
28	36935	3	Breaker, 15A 250V single pole	
29	36938	4	Boot, push button breaker	
30	65798	1	Plug, hole .468 x .06 - black	
31	A0000356800	1	Assembly, inlet receptacle w/ 120V 20A breaker	see pages 34-35
32	A0000379845	1	Assembly, control box - analog - shore power	

DIGITAL CONTROL BOX ASSEMBLY WITH SHORE POWER (IF EQUIPPED)



Go to Discount-Equipment.com to order your parts

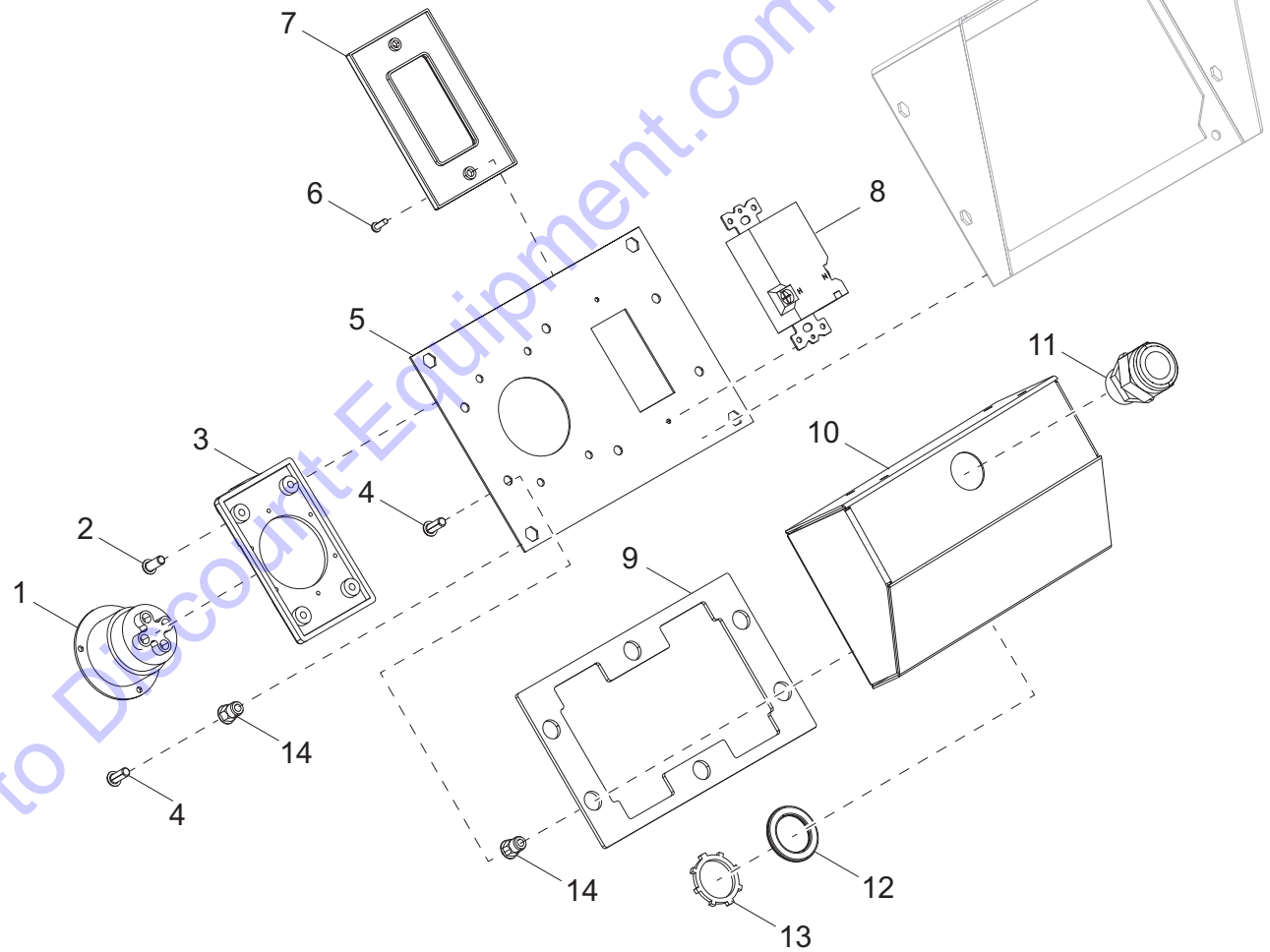
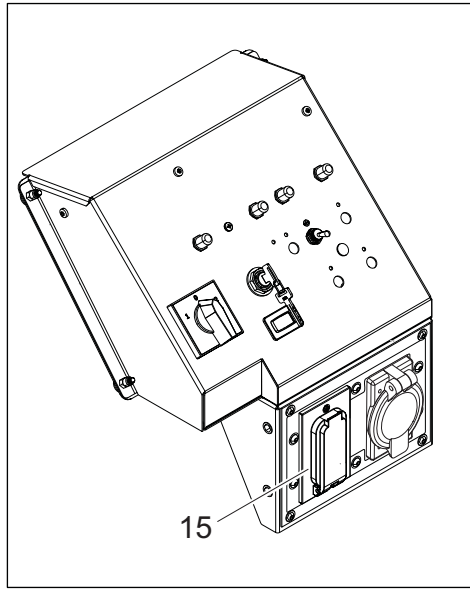
Digital Assembly
Shore Power

03027

DIGITAL CONTROL BOX ASSEMBLY WITH SHORE POWER (IF EQUIPPED)

Item	Part No.	Qty	Description	Notes
1	36886	1	Meter, hour	
2	60289	8	Washer, #6 flat	
3	62210	8	Screw, 6-32 x .500 pan Phillips - SS	
4	36938	9	Boot, push button breaker	
5	A0000148033	1	Controller, digital	
6	14139	1	Block, terminal 12 position 30A, 600V	
7	60061	2	Nut, 10-32 nylock	
8	60062	2	Screw, 10-32 x .750 pan Phillips, G2	
9	A0000382880	1	Bracket, relay mount	
10	29759	4	Relay, 12V coil 120-240 VAC rated	
11	60728	8	Nut, 6-32 nylock, G%	
12	62054	4	Screw, 8-32 x .500 pan Phillips - SS	
13	A0000181267	8	Insert, M6 x 1.0 hex nut .7-4.2MM	
14	65049	2	Relay, 12V 30/40 N.O. w/diode	
15	A0000419428	1	Switch, rotary 600V 20A 3 position	
16	65849	1	Breaker, 20A 120V 1 pole - push button	
17	60243	4	Washer, .250 flat .735/.060 - SS	
18	60286	4	Washer, .250 split lock	
19	60335	4	Screw, M6-1.00 x 25 standard hex - SS	
20	A0000380884	1	Cover, control box	
21	37027	4	Screw, 10-12 x .500 pan Phillips	
22	A0000108467	1	Bracket, receptacle mounting	
23	66425	1	Strain relief, 1.25 w/nut	
24	14219	1	Strain relief, .750 w/nut	
25	0A3359	4	Screw, M6-1.0 x 16 standard hex - SS	
26	60268	5	Rivet, .188 diameter x .126 to .250 grip - SS	
27	60364	4	Screw, 10-16 x .500 standard hex, G2 - self drilling	
28	10000031026	1	Connector, panel mount, 7 position	
29	66695	1	Connector, Deutsch 12 position recept/pin - flange	
30	36935	3	Breaker, 15A 250V 1 pole - mechanical	
31	75030	5	Breaker, 5A, 240V 1 pole - push button	
32	A0000310568	1	Breaker, SLD 20A 2 pole	part of A0000356800
33	73217	1	Horn, alarm 6-28V DC	
34	65707	1	Switch, toggle SPDT spring - weatherproof	
35	68508	1	Switch, toggle SPST (on-off) 12A 125V	
36	A0000380933	1	Control box, digital	
37	A0000356800	1	Assembly, inlet receptacle w/ 120V 20A breaker	
38	A0000380924	1	Assembly, control box - digital- shore power	

CONTROL BOX SHORE POWER PANEL (IF EQUIPPED)



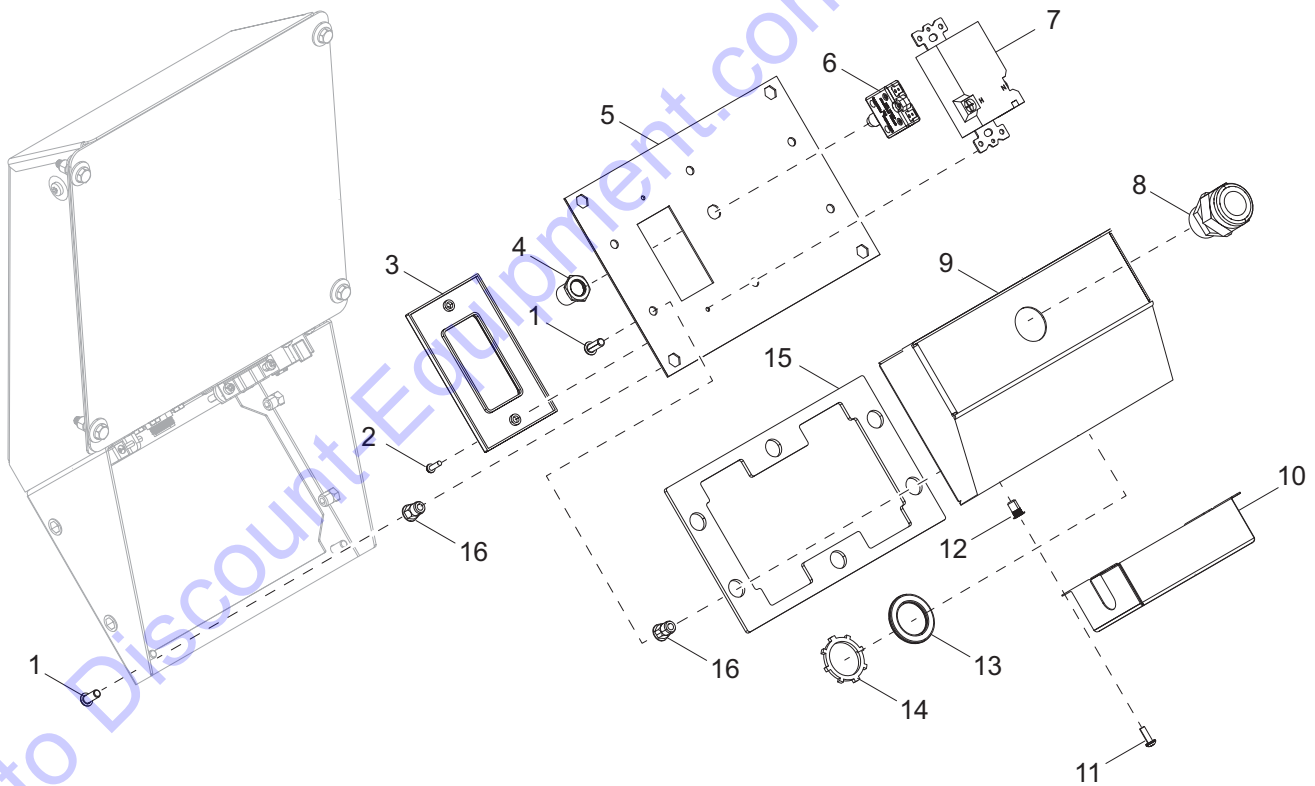
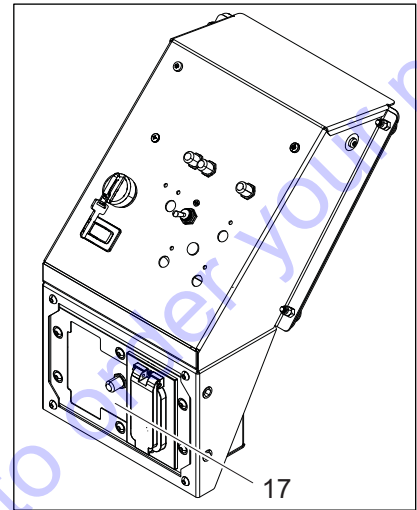
03028

CONTROL BOX SHORE POWER PANEL (IF EQUIPPED)

Item	Part No.	Qty	Description	Notes
1	A0000391270	1	Receptacle, 120/250V 20A inlet	Hardware included
2	60046	4	Screw, 6-32 x .750 pan Phillips, G2	
3	65520	1	Cover, receptacle 50A - weatherproof	
4	0A3359	10	Screw, M6-1.0 x 16 button head security - SS	
5	A0000356915	1	Plate, receptacle mount 120V w/breaker	
6	62210	2	Screw, 6-32 x .50 pan Phillips - SS	
7	37017	1	Cover, receptacle 20A GFI - weatherproof	
8	14130	1	Receptacle, 120V/20A GFI	
9	A0000415963	1	Gasket, receptacle box	
10	A0000415820	1	Box, receptacle	
11	14656	1	Strain relief, .750NPT .545/.709 ID	
12	15698	1	Washer, .750 sealing - rubber	
13	16300	1	Nut, special .750 NPT - lock	
14	A0000181267	10	Nut, M6 x 1.0 hex insert	
15	A0000356800	1	Assembly, inlet receptacle w/120V 20A breaker	
--	A0000310568	1	Breaker, SLD 20A 2 pole - panel mount	

Go to Discount-Equipment.com to order your parts

CONTROL BOX RECEPTACLE PANEL (IF EQUIPPED)



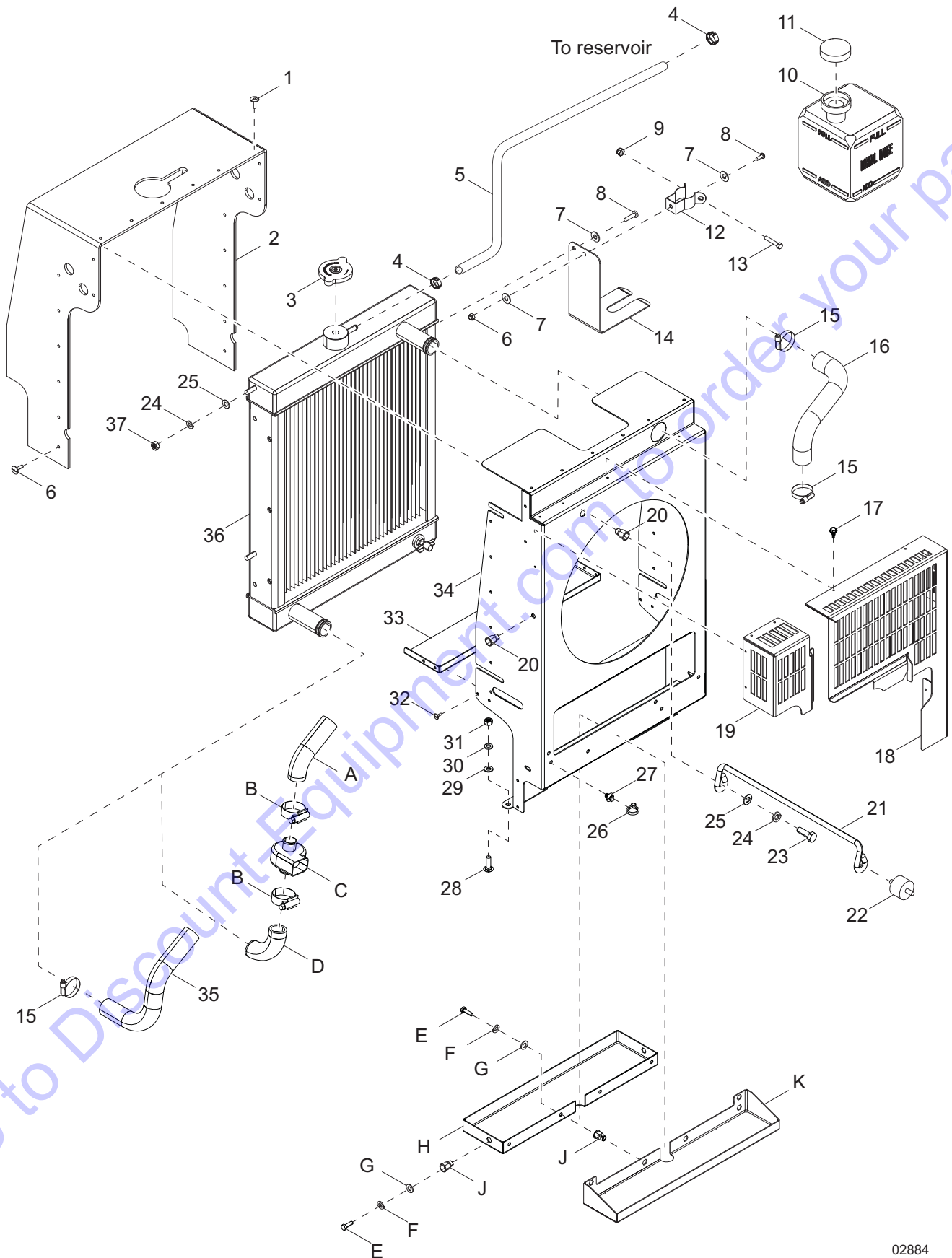
03029

CONTROL BOX RECEPTACLE PANEL (IF EQUIPPED)

Item	Part No.	Qty	Description	Notes
1	0A3359	8	Screw, M6-1.0 x 16 standard hex - SS	
2	62210	2	Screw, 6-32 x .50 pan Phillips - SS	
3	37017	1	Cover, receptacle - weather proof	
4	36938	1	Boot, push button breaker	
5	A0000139161	1	Plate, receptacle mount	
6	36937	1	Breaker, 10A DC	
7	14130	1	Receptacle 120V/20A GFII	
8	14656	1	Strain relief, .750NPT .545/.709 ID - water tight	
9	A0000072105	1	Box, receptacle	
10	A0000393922	1	Bracket, battery charger cover	
11	60526	4	Screw, 8-32 x .500 pan Phillips, G2	
12	A0000087390	4	Insert, ribbed 8-32 - .130 FRIP - closed	
13	15698	1	Washer, .750NPT - sealing - rubber	
14	16300	1	Nut, .750 NPT lock	
15	A0000142340	1	Gasket, receptacle box	
16	A0000181267	8	Insert, M6 x 1.0 hex nut .7-4.2MM	
17	A0000139331	1	Assembly, receptacle 120V 10A	

Go to Discount-Equipment.com to order your parts

COOLING SYSTEM ASSEMBLY



02884

COOLING SYSTEM ASSEMBLY

Item	Part No.	Qty	Description	Notes
1	60195	21	Rivet, .188 x .375 to .500 grip	
2	A0000077707	1	Seal, cooling - rubber	
3	19219	1	Cap, radiator	
4	60777	2	Clamp, hose .312 fuel - crimp style	
5	50018	3.0 ft	Hose, fuel .312ID 50PSI SAE 30R7	
6	60061	2	Nut, 10-32 nylock	
7	60067	4	Washer, #10 flat .435/.060 - SS	
8	61180	2	Screw, 10-32 x .750 pan Phillips - SS	
9	60144	1	Nut, .250-20 nylock, G5	
10	20287	1	Jug, overflow	
11	19714	1	Cap, overflow bottle	
12	19726	1	Clamp, overflow bottle	
13	60414	1	Screw, .250-20 x 1.50 standard hex, G5	
14	22419B	1	Bracket, over flow jug support	
15	15422	4	Clamp, hose SAE 020 (.75-1.75)	
16	10000047702	1	Hose, upper radiator	
17	60364	13	Screw, 10-16 x .500 standard hex, G2 self-drilling	
18	A0000083514	1	Guard, fan RH	
19	A0000083519	1	Guard, fan LH	
20	OH5513	2	Nut, M8 x 1.25 lock	
21	A0000301146	1	Rod, radiator stay	
22	34052	1	Isolator	
23	60049	2	Screw, M8-1.25 x 25 standard hex, G8.8	
24	60029	5	Washer, M5 split lock	
25	60166	7	Washer, M8 flat	
26	15630	2	Cable tie, 6.13 x .141 - black	
27	66685	2	Mount, cable tie .250 -280 diameter .031 -.270 grip	
28	61066	4	Screw, .312-18 x 1.00 carriage bolt	
29	60166	4	Washer, M8 flat	
30	60271	4	Washer, .312 split lock	
31	60285	4	Nut, .312-18 hex, G2	
32	60268	8	Rivet, .188 x .126 to .250 grip - SS	
33	A0000080671	1	Block-off, radiator	
34	A0000300030	1	Upright, radiator	
35	10000047331	1	Hose, radiator - lower	
36	10000020162	1	Radiator	
37	60032	5	Nut, M8-1.25 hex, G8.8	

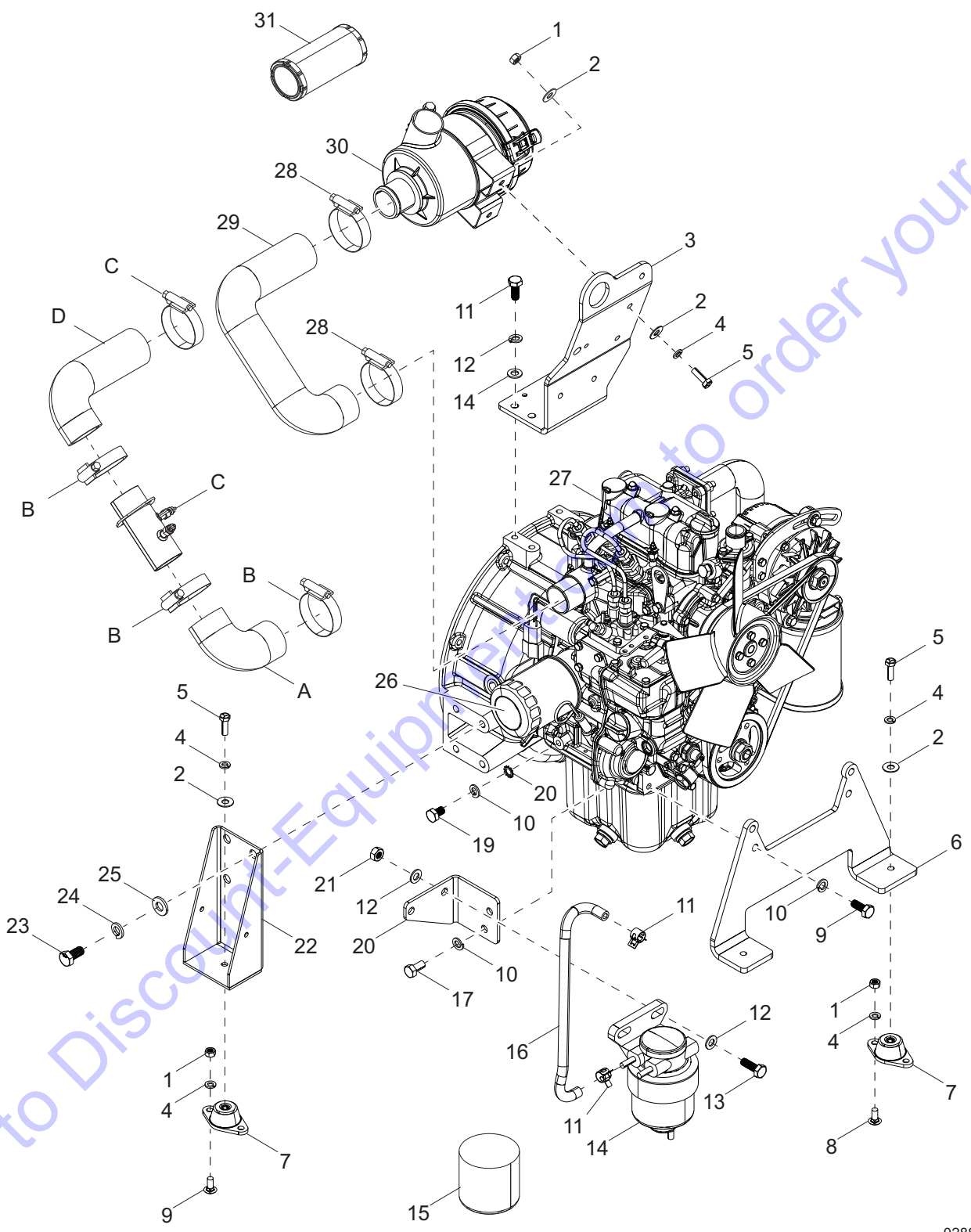
Engine Heater (If equipped):

A	A0000149876	1	Hose, lower radiator
B	15422	4	Clamp, hose SAE 020 (.75-1.75)
C	65649	1	Heater, engine
D	A00000149869	1	Hose, lower radiator

Containment (If equipped):

E	042568	6	Screw, M6-1.0 x 20 HHC, G8.8
F	38522	6	Washer, M6-.250 Split lock
G	049811	2	Washer, M6 flat
H	10000047855	1	Containment, front
J	092120	8	Insert,
K	10000047759	1	Containment, rear

ENGINE ASSEMBLY (1 OF 2)



02885

ENGINE ASSEMBLY (1 OF 2)

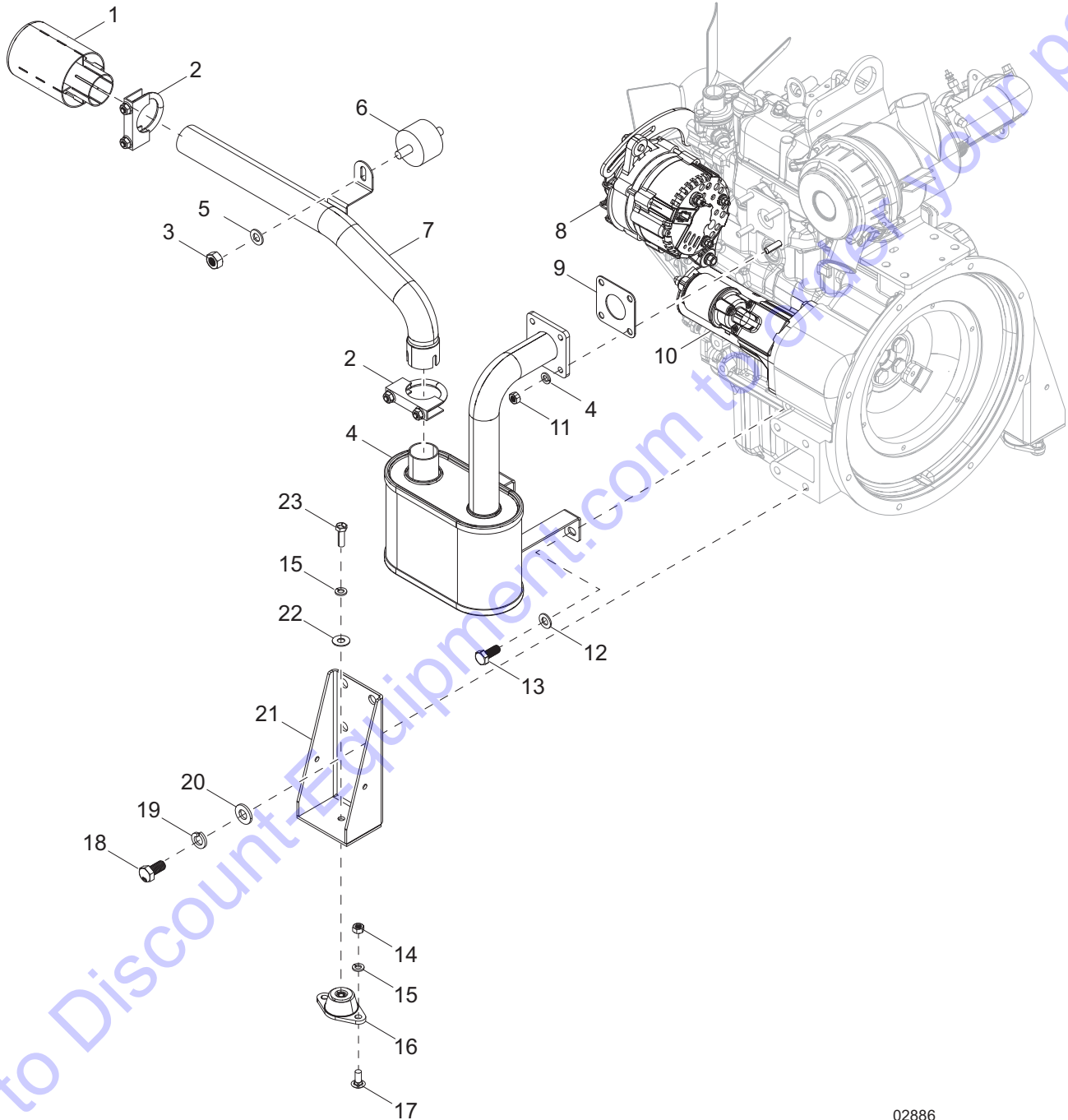
Item	Part No.	Qty	Description	Notes
1	60285	10	Nut, .312-18 hex, G2	
2	60119	12	Washer, .312 flat .875/.07	
3	A0000244499	1	Bracket, air cleaner	
4	60271	18	Washer, .312 split lock	
5	60028	6	Screw, .312-18 x 1.00 standard hex, G5	
6	10000047388	1	Mount, engine	
7	10000047263	4	Isolator, compression - 70#	
8	61214	4	Screw, .312-18 x .750 carriage square - SS	
9	60422	8	Screw, M10-1.25 x 25 standard hex, G8.8	
10	60026	10	Washer, M10 split lock	
11	10000045619	2	Clamp, hose constant tension	
12	60027	8	Washer, M10 flat	
13	60494	2	Screw, M10-1.25 x 30 standard hex, G8.8	
14	10000022110	1	Filter, fuel - head and element	incl. 10000023037
15	10000023037	1	Filter, fuel - element	
16	50018	1.75 ft	Hose, fuel .312 ID 50 PSI SAE 30R7	
17	62159	2	Screw, M10-1.25 x 20 standard hex, G8.8	
18	10000047425	1	Mount, fuel filter	
19	60495	2	Screw, M10-1.25 x 16 standard hex, G8.8	
20	60747	2	Washer, .375 internal star	
21	60344	2	Nut, M10-1.25 hex - SS	
22	10000047397	2	Mount, engine - rear	
23	61087	8	Screw, M12-1.25 x 25 standard hex, G10.9	
24	60276	8	Washer, .500 split lock	
25	60699	8	Washer, .500 flat 1.070/.080 - SS	
26	70124	1	Filter, oil 750 hr.	750 hr interval
27	10000037471	1	Engine, L2E T4F	
28	60316	4	Clamp, hose SAE 032 (1.56-2.50)	
29	10000044508	1	Hose, air cleaner	
30	10000021718	1	Filter, air w/bracket	incl. 16444
31	16444	1	Element, air filter	

Intake Heater (If equipped):

A	A0000149900	1	Hose, air cleaner
B	60316	4	Clamp, hose SAE 032 (1.56-2.50)
C	A0000149884	1	Assembly, intake heater
D	A0000149897	1	Hose, air cleaner

Note: Engine parts used in all Generac Mobile Products, LLC equipment carry the Original Equipment Manufacturer (OEM) warranty unless otherwise stated. OEM warranty parts must be purchased through an OEM dealer. Please contact Generac Mobile Products, LLC with questions

ENGINE ASSEMBLY (2 OF 2)



02886

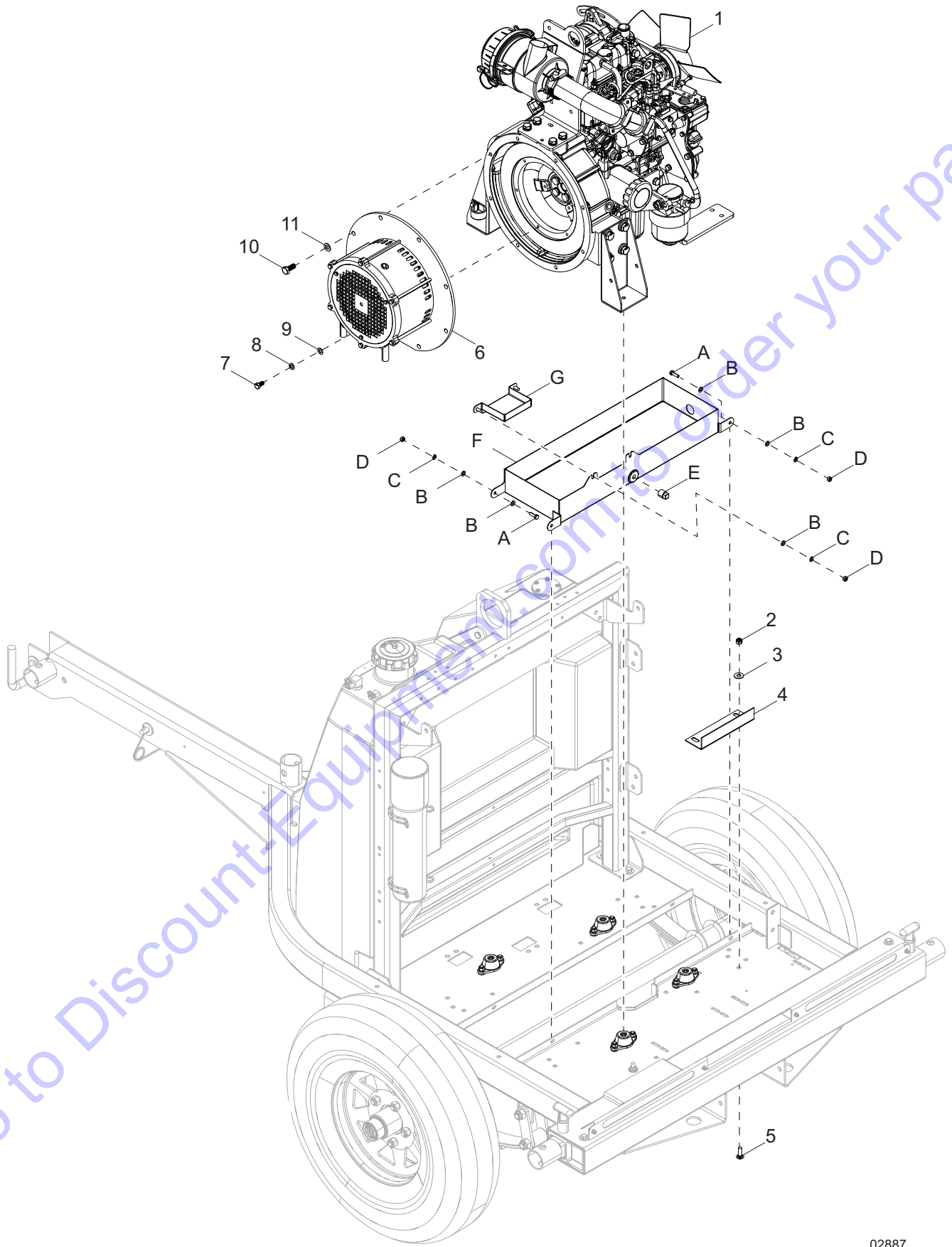
ENGINE ASSEMBLY (2 OF 2)

Item	Part No.	Qty	Description	Notes
1	10000021954	1	Tip, exhaust	
2	68082	2	Clamp, muffler 1.63	
3	62079	1	Nut, .312-18 nylock	
4	10000047042	1	Weldment, muffler	
5	60119	1	Washer, .312 flat	
6	34052	1	Isolater	
7	A0000284243	1	Weldment, side exhaust	
8	A0000083440	1	Alternator	
9	11042SRV	1	Gasket, muffler	
10	70232	1	Starter	
11	60032	5	Nut, M8-1.25 hex head, G8.8	
12	60027	2	Washer, M10 flat	
13	60422	2	Screw, M10-1.25 x 25 standard hex, G8.8	
14	60285	2	Nut, .312-18 hex, G2	
15	60271	1	Washer, .312 split lock	
16	10000047263	1	Isolator, compression - neoprene	
17	61214	2	Screw, .312-18 x .750 carriage bolt	
18	61087	4	Screw, M12 -1.25 x 25 standard hex, G10,9	
19	60276	4	Washer, .500 split lock	
20	60699	4	Washer, .500 flat 1.070/.080 - SS	
21	10000047397	1	Mount, engine - rear	
22	60119	1	Washer, .312 flat .875/.070	
23	60028	1	Screw, .312-18 x 1.00 standard hex, G5	

Note: Engine parts used in all Generac Mobile Products, LLC equipment carry the Original Equipment Manufacturer (OEM) warranty unless otherwise stated. OEM warranty parts must be purchased through an OEM dealer. Please contact Generac Mobile Products, LLC with questions

ENGINE AND GENERATOR TO UNIT

Go to DiscountEquipment.com to order your parts



02887

ENGINE AND GENERATOR TO UNIT

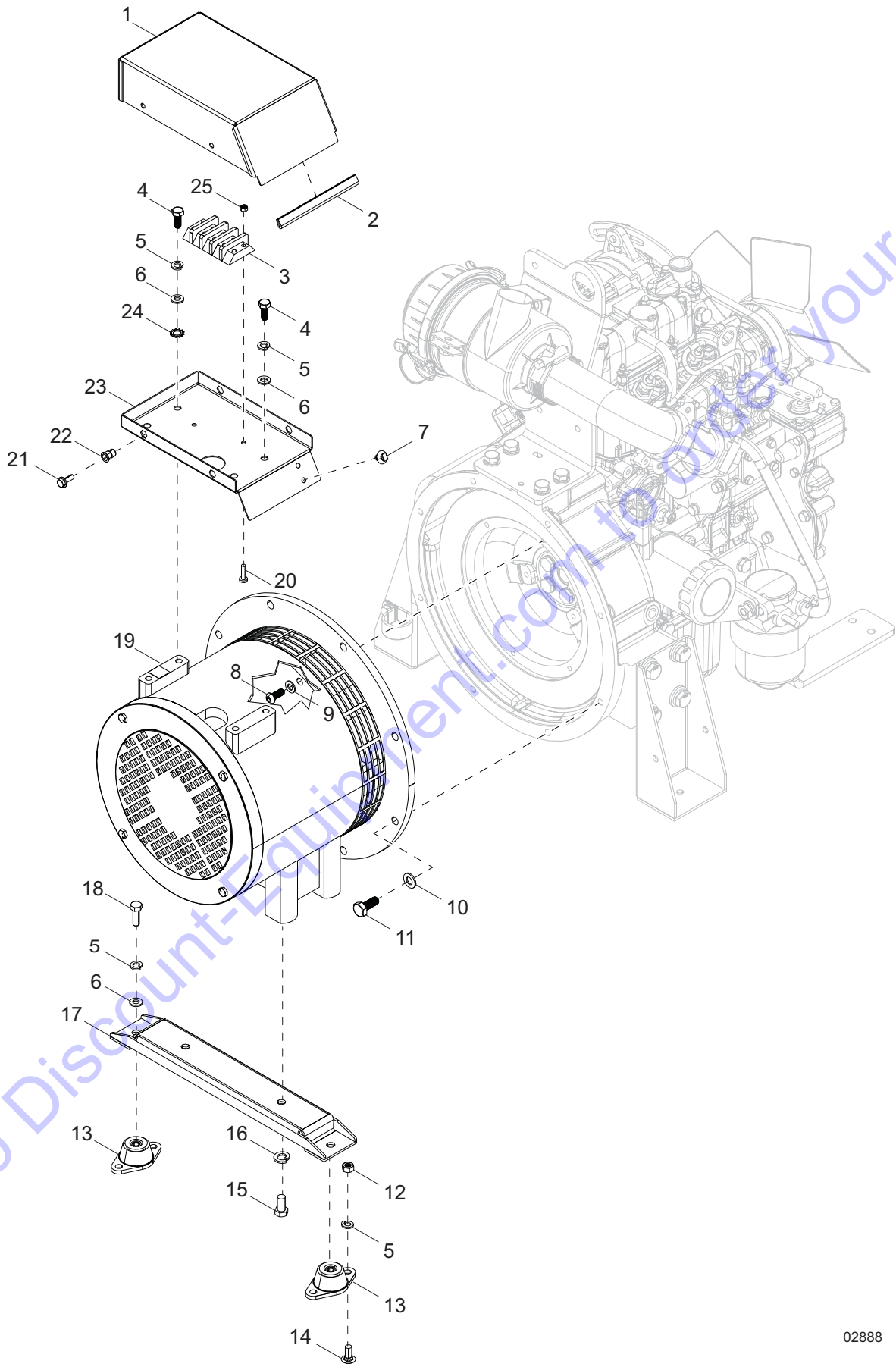
Item	Part No.	Qty	Description	Notes
1	10000037471	1	Engine, Mitsubishi L2E T4F	
2	60303	2	Nut, .312-18 nylock, G2	
3	60119	2	Washer, .312 flat .875/.070	
4	A0000121603	1	Bracket, battery stop	
5	61066	2	Screw, .312-18 x 1.00 carriage square - SS	
6	10000044412	1	Generator, Marathon 1.4Kw 60HZ	
7	60165	6	Screw, M8-1.25 x 16 standard hex, G10.9	
8	60029	6	Washer, M8 split lock	
9	60166	6	Washer, M8 flat	
10	60422	8	Screw, M10-1.25 x 25 standard hex, G8.8	
11	60027	8	Washer, M10 flat	
--	A0000215058	1	Harness, control to alternator	
--	11923	1	Wire group, 3000 engine	

Containment (If equipped):

A	042568	4	Screw, M6
B	049811	8	Washer, M6 flat
C	38522	4	Washer, M6-.250 lock
D	049813	4	Nut, M6-1.0, G8
E	026925	1	Plug, standard pipe, .375 square head
F	10000047071	1	Weldment, containment pan body
G	10000047035	1	Oil catch, containment pan

Note: Generator parts used in all Generac Mobile Products, LLC equipment carry the Original Equipment Manufacturer (OEM) warranty unless otherwise stated. OEM warranty parts must be purchased through an OEM dealer. Please contact Generac Mobile Products, LLC with questions.

EXPORT POWER (IF EQUIPPED)



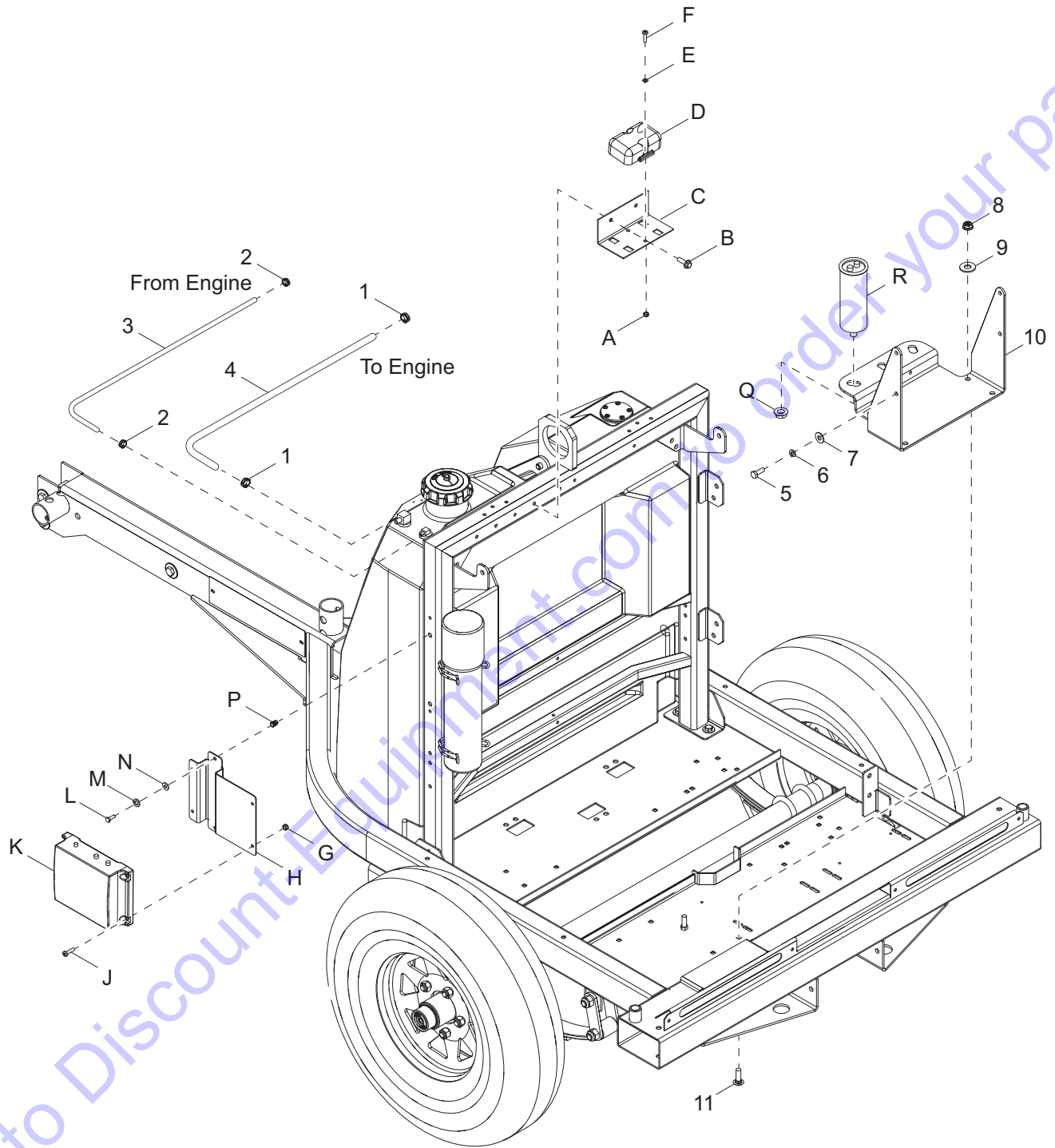
02888

EXPORT POWER (IF EQUIPPED)

Item	Part No.	Qty	Description	Notes
1	A0000136600	1	Cover, alternator junction box	
2	19351	.42 ft	Seal, U-channel	
3	66694	1	Block, terminal 3-position	
4	61082	4	Screw, M8-1.25 x 20 standard hex	
5	60029	10	Washer, M8 split lock	
6	60031	6	Washer, M8 flat	
7	66685	2	Mount, cable tie .25-.28 diameter .031-.27 grip	
8	72162	6	Screw, M8-1.25 x 20 button hex, G10.9	
9	60166	6	Washer, M8 flat	
10	60422	8	Screw, M10-1.25 x 25 standard hex, G8.8	
11	60027	8	Washer, M10 flat	
12	60412	4	Nut, .312-18 hex, G5	
13	10000047263	2	Isolator, compression 70#	
14	61214	4	Screw, .312-18 x .750 carriage square - SS	
15	60052	2	Screw, .375-16 x .750 standard hex, G5	
16	60206	2	Washer, .375 split lock	
17	A0000136598	1	Bracket, alternator mount	
18	60049	2	Screw, M8-1.25 x 25 standard hex, G8.8	
19	10000020581	1	Generator, Marathon 6KW, 60Hz CAP	
20	60037	2	Screw, M5 .80 x 20 pan Phillips, G4.8	
21	60087	4	Screw, M6-1.00 x 16 serrated flange hex, G8.8	
22	10000181267	4	Nut, M6 x 1.00 hex - insert	
23	A0000136599	1	Bracket, alternator junction box	
24	60747	1	Washer, .375 internal star	
25	60038	2	Nut, M5-.80 nylock	
--	A0000146735	1	Harness, 20A GFCIR	
--	A0000146736	1	Harness, generator to control 6KW	

Note: Generator parts used in all Generac Mobile Products, LLC equipment carry the Original Equipment Manufacturer (OEM) warranty unless otherwise stated. OEM warranty parts must be purchased through an OEM dealer. Please contact Generac Mobile Products, LLC with questions.

COMPONENTS TO TRAILER ASSEMBLY (1 OF 2)

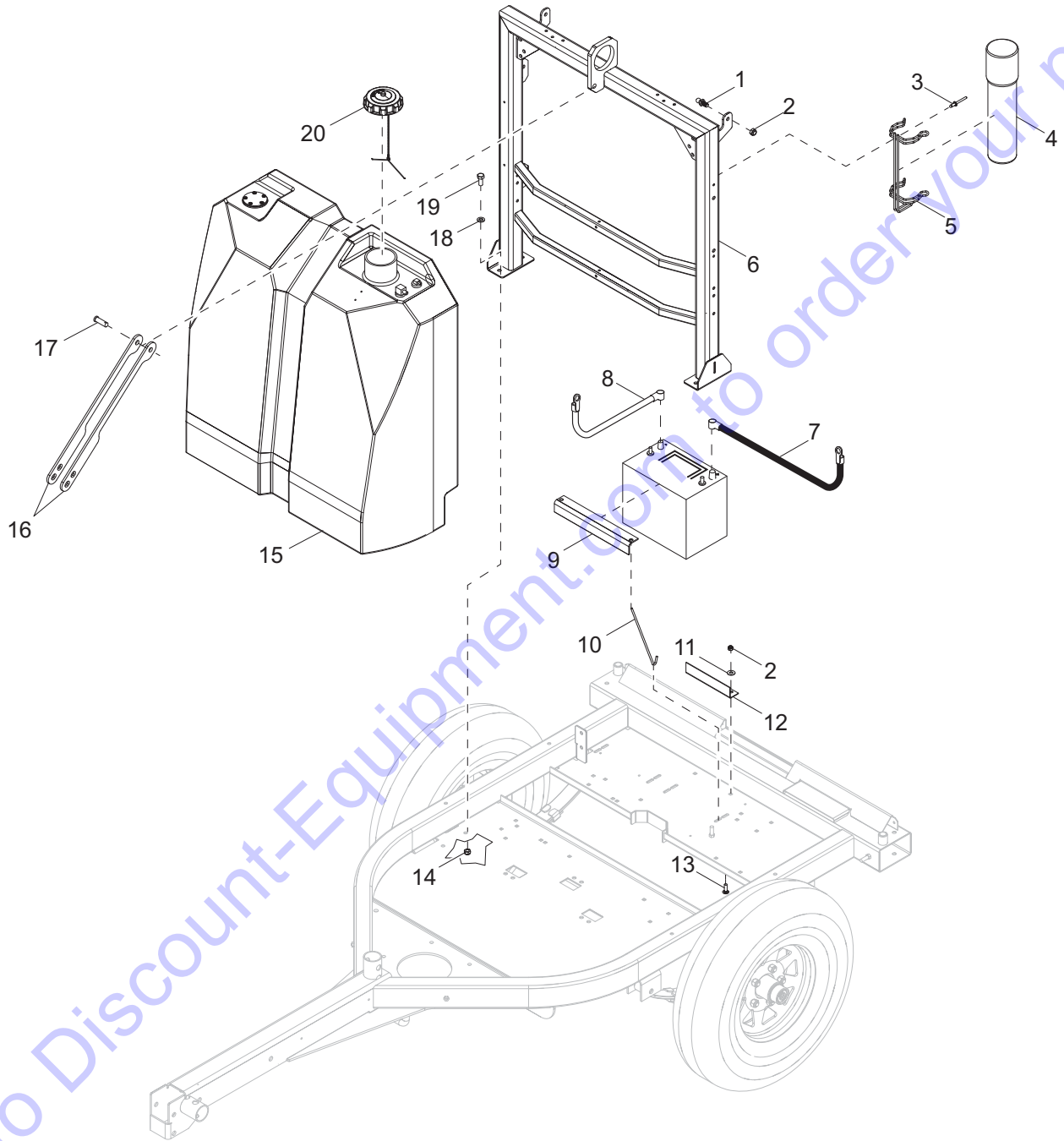


02889

COMPONENTS TO TRAILER ASSEMBLY (1 OF 2)

Item	Part No.	Qty	Description	Notes
1	60788	2	Clamp, hose .188 - crimp style	
2	60777	2	Clamp, hose .312 - crimp style	
3	14211	4.25 ft	Hose, fuel .188ID, 50 psi - SAE 30R7	
4	50018	3.33 ft	Hose, fuel .312ID, 50 psi - SAE 30R7	
5	60647	4	Screw, .250-20 x .500 standard hex, G5	
6	60286	4	Washer, .250 split lock	
7	60243	4	Washer, .250 flat	
8	60095	4	Nut, .312-18 serrated flange	
9	60119	4	Washer, .312 flat .875/.070	
10	A0000093872	1	Bracket, control box mounting	
11	61066	4	Screw, .312-18 x 1.00 carriage square - SS	
<i>Telemetry (If equipped):</i>				
A	60061	2	Nut, 10-32 nylock	
B	68429	2	Screw, .312-18 x .750 flanged hex, G2 self-tapping	
C	52231B	1	Bracket, telemetry	
D	37731	1	Telemetry, ZTR - M6H	
E	60237	2	Washer, #10 flat .495/.036	
F	60062	2	Screw, 10-32 x .750 pan Phillips, G2	
--	68432	1	Harness, telemetry	
<i>Battery Charger (If equipped):</i>				
G	60415	4	Nut, 10-32 nylock	
H	73218B	1	Bracket, battery charger	
J	60062	4	Screw, 10-32 x .750 pan Phillips, G2	
K	66212	1	Charger, battery 2-5A/1-10A, 3 stage, 2 output	
L	60281	2	Screw, .250-20 x .750 hex, G5	
M	60286	2	Washer, .250 split lock	
N	60243	2	Washer, .250 flat .735/.060	
P	63132	2	Insert, .250-20 splined .027-.165 grip - threaded	
--	68836	1	Harness, 12V, DC charger	
<i>6KW Generator (If equipped):</i>				
Q	60148	1	Nut, M12-1.75 serrated flange, G8.8	
R	36980	1	Capacitor, 25UF 5% 440VAC, stud mount - sealed	
	A0000243987	1	Capacitor, 12.5UF	1.4KW option only

COMPONENTS TO TRAILER ASSEMBLY (2 OF 2)

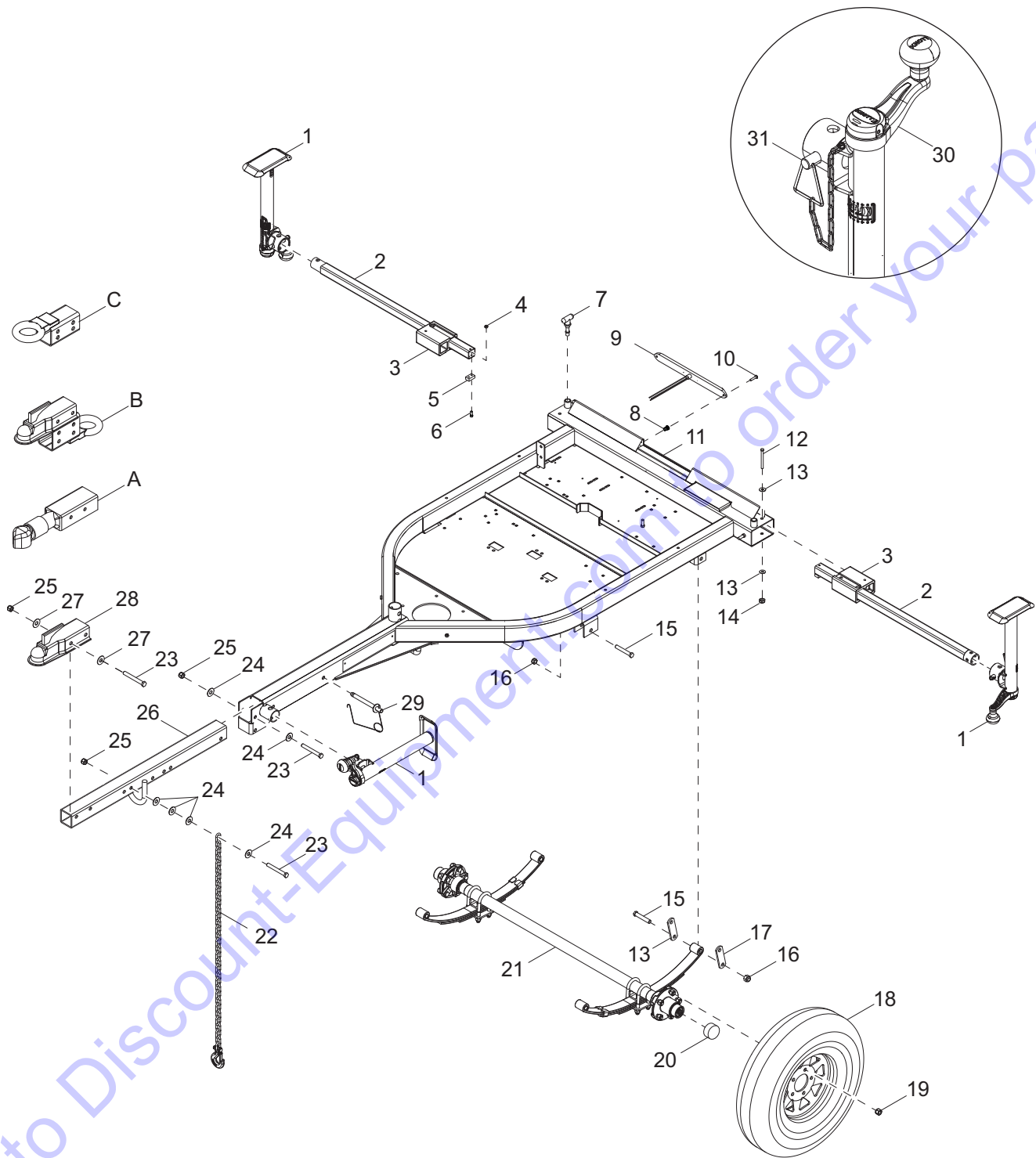


02630

COMPONENTS TO TRAILER ASSEMBLY (2 OF 2)

Item	Part No.	Qty	Description	Notes
1	35293	2	Ball stud, 10mm, .313-18	
2	60303	4	Nut, .312-18 nylock, G2	
3	60195	2	Rivet, .188 diameter. x .375 to .500 grip	
4	11121	1	Manual holder tube, black 14 in	
5	11222	1	Bracket, manual holder	
6	10000023283	1	Weldment, lift support	
7	10699	1	Cable, battery 4 gauge - black	
8	15074	1	Cable, battery 4 gauge - red	
9	12924B	1	Angle, battery hold-down	
10	14146	2	Bolt, J, .250-20 x 10.0	
11	60119	2	Washer, .312 flat .875/.07	
12	17992B	1	Bracket, battery stop	
13	61066	2	Screw, .312-18 x 1.00 carriage - SS	
14	60358	4	Nut, .375-16 nylock, G5	
15	69919	1	Tank, fuel - 42 gallon w/sending unit	
16	39660B	2	Bar, chassis support	
17	63325	1	Pin, clevis - .500 diameter. x 1.063 UL, ZP	
18	60386	4	Washer, .375 flat .993-.064	
19	60352	4	Screw, .375-16 x 1.250 standard hex, G5	
20	16326	1	Cap, fuel, 3.5 diameter., diesel, vent w/tether	
--	66100	6	Connector, 2 position	

TRAILER ASSEMBLY



02890

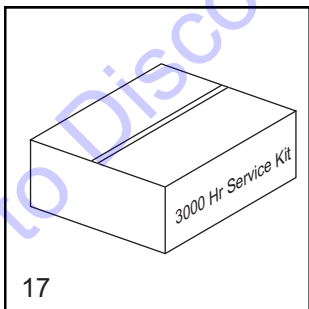
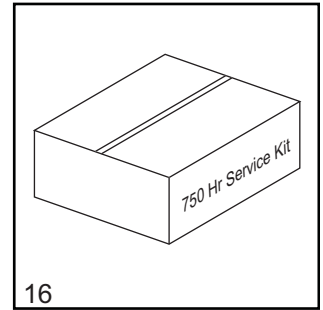
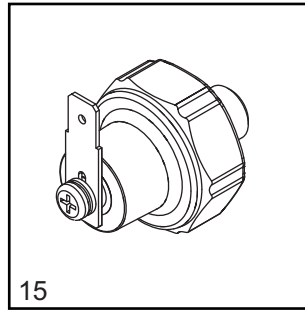
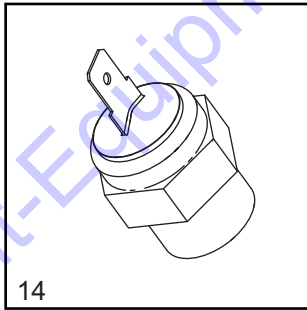
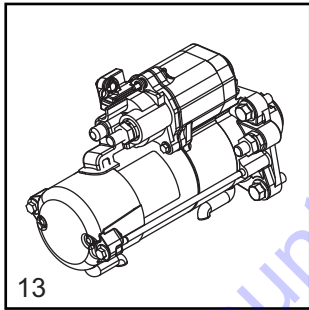
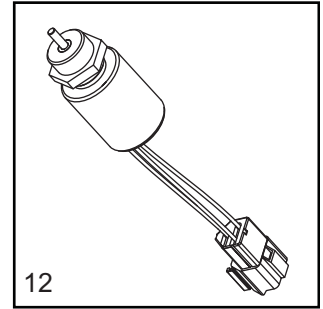
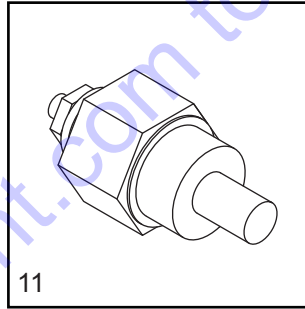
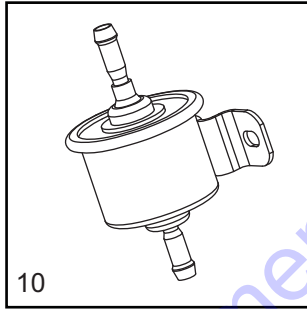
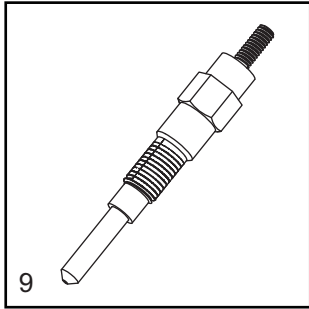
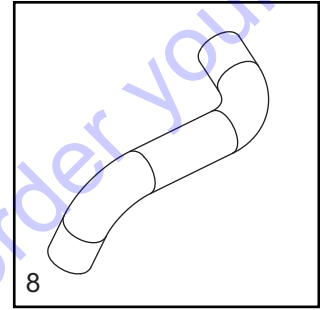
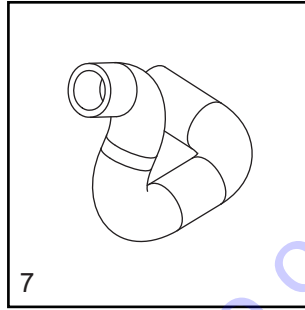
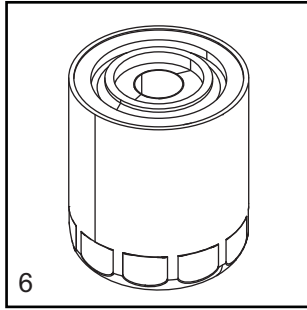
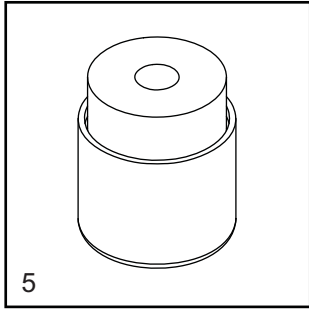
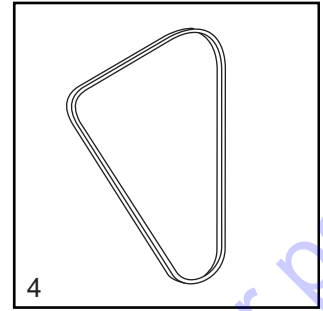
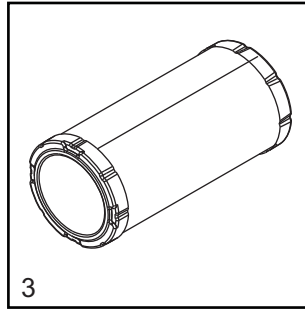
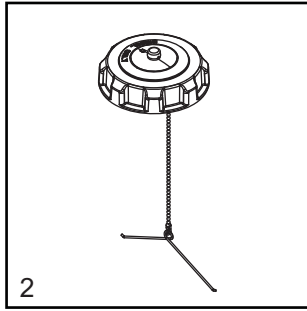
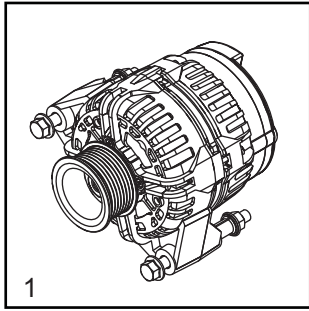
TRAILER ASSEMBLY

Item	Part No.	Qty	Description	Notes
1	72126	3	Jack, top wind - 1200 lb, tube mounted	
2	70230ZY	2	Weldment, outrigger tube	
3	36869	2	Guide block (molded) - outrigger	
4	60144	4	Nut, .250-20 nylock, G5	
5	72128	2	Pad/stop, wear - outrigger	
6	73196	4	Screw, .250-20 x 2.25 socket head	
7	36890	3	Spring pin, handle	
8	73092	4	Insert, #8-32 .020-.080 grip - close sealed	
9	36960	2	Assembly, tail light	
10	60694	4	Screw, 8-32 x .750 pan Phillips	
11	10000021817	1	Weldment, lt chassis	
12	60404	2	Screw, .312-18 x 4.00 standard hex, G5	
13	60119	4	Washer, .312 flat .875/.070	
14	60303	2	Nut, .312-18, nylock, G2	
15	60503	6	Screw, shackle, .562-18 x 3.00 standard hex, G5	
16	60504	6	Nut, .562-18 lock hex, G5	
17	19637	4	Plate, shackle bracket - 3.125"	
18	15976B	2	Wheel, ST175/8013 - 1360 lb	
19	60096	10	Nut, .500-20 lug, G5	
20	70150	2	Cap, dust	
21	34760	1	Axle, 2200lb 47TC 35SC	
22	23367	2	Chain, safety - 7800 lbs rated	
23	50215	5	Screw, .500-13 x 4.00 standard hex, G5	
24	60416	10	Washer, .500 flat 1.375/.090	
25	62221	5	Nut, .500-13 nylock, G5	
26	17969B	1	Weldment, tilt tongue	
27	60309	4	Washer, .500 flat 1.060/.090	
28	16830	1	Coupler, 2.00 ball/2.50 channel	
29	33943	2	Pin, locking .500 x 3.50	
30	37155	1	Handle, jack - top wind	
31	39658	1	Kit, jack pin - ball detent	
--	68348	1	Harness, trailer wiring, tandem tow	
--	68324	1	Harness, trailer enclosure front	
--	10000020727	1	Assembly, harness extension loomed	

Hitch Options (If equipped):

A	13003B	1	Coupler, 2.00 ball/3.00 channel, Bulldog
B	34792ZC	1	Weldment, combination hitch - 2.50 tongue
C	16835B	1	Weldment, Lunette ring 3.00 ID - 2.50 tongue
--	65548	1	Adapter, 4 pin flat to 4 pin flat x 12.00

RECOMMENDED SPARE PARTS - ENGINE AND SERVICE KITS



RECOMMENDED SPARE PARTS - ENGINE AND SERVICE KITS

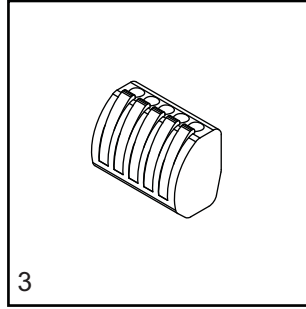
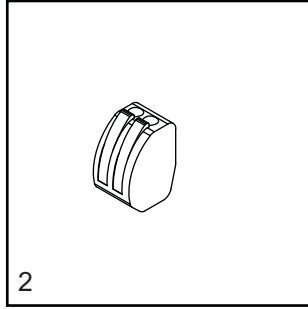
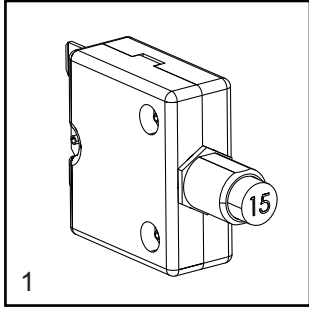
ENGINE

1. Alternator	A0000083440
2. Cap, fuel tank with lanyard	16326
3. Filter, air (element).....	16444
4. Belt	72177
5. Filter, fuel, Mitsubishi	10000023037
6. Filter, oil, Mitsubishi	70124
7. Hose, radiator - lower	10000047331
8. Hose, radiator - upper.....	10000047702
9. Element, glow plug	16693SRV
10. Pump, fuel	13278SRV
11. Sender, coolant temp	12873
12. Solenoid, fuel shutdown	16683
13. Starter	70232
14. Switch, coolant temperature	16678
15. Switch, oil pressure	16677

SERVICE KITS

16. 750 hour kit.....	10000036108
Includes: Air Filter Element 16444, Fuel Filter Element 10000023037 and Oil Filter 70124	
17. 3000 hour kit.....	SK335
Includes: Engine Belt 72177 (2), Air Filter Element 16444 (4), Fuel Filter Element 10000023037(4), and Oil Filter 70124 (4)	

RECOMMENDED SPARE PARTS - ELECTRICAL



Go to Discount-Equipment.com to order your parts

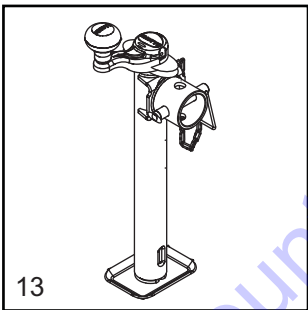
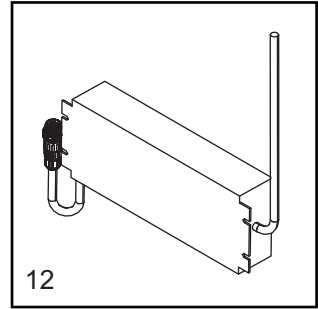
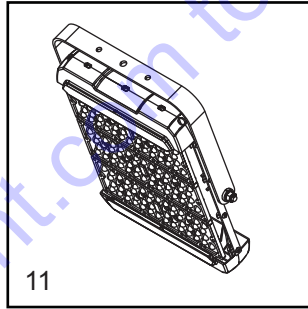
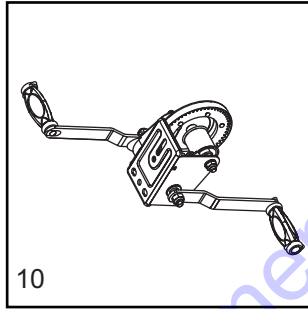
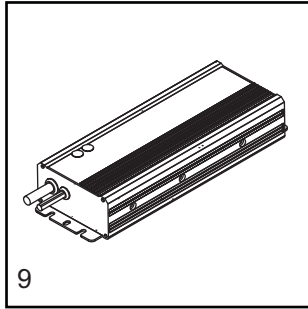
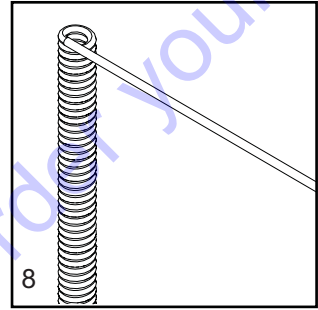
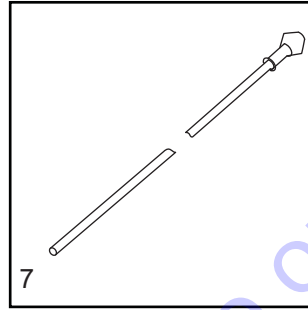
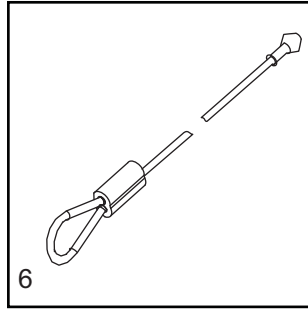
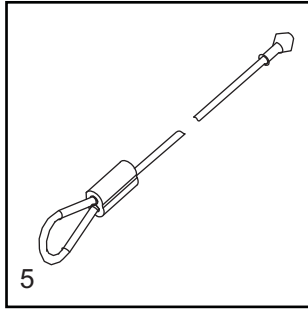
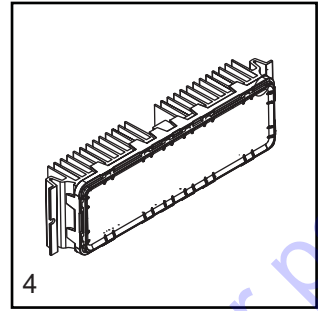
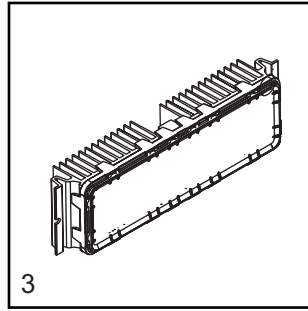
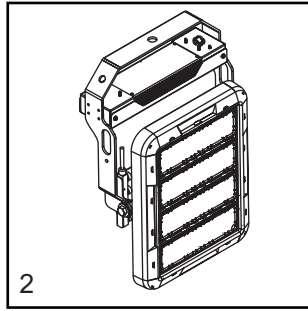
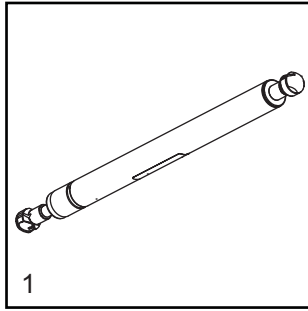
RECOMMENDED SPARE PARTS - ELECTRICAL

ELECTRICAL

1. Breaker, 15A, 250A, single pole	36935
2. Connector, 2 position (qty - 4)	66100
3. Connector, 5 position (qty - 2)	66102

Go to Discount-Equipment.com to order your parts

RECOMMENDED SPARE PARTS - MISC



RECOMMENDED SPARE PARTS - MISC

ENCLOSURE

1. Gas shock..... 35137

MAST

2. Assembly, LED light..... 10000019145
3. Module 60 degree LED..... 10000019170
4. Module 40 degree LED..... 10000019160
5. Cable, 79.75 in 31248
6. Cable, 78 in 31277
7. Cable, 144 in 31247
8. Coil cord w/ 155 inch tail (mast junction box to control box)..... A0000108466
9. Driver, LED 30V, 10.7A, 321W 72178
10. Winch, manual, includes dual handle 72127
11. Assembly, LED light 320W - hard wire..... A0000092363
12. Assembly, driver with connector A0000188779

JACKS

13. Jack, top wind, 1200 lb..... 72126

Go to Discount-Equipment.com to order your parts

PARTS FINDER

**Search Website
by Part Number**



**Search Manual
Library For Parts
Manual & Lookup Part
Numbers – Purchase
or Request Quote**

Search Manuals

Enter your information to search for a manual or to purchase a manual or parts.

* Brand:

* Model:

* Serial:

* Part Number:

SEARCH

**Can't Find Part or
Manual? Request Help
by Manufacturer,
Model & Description**

Parts Order Form

Please fill in the following information to request help finding a part or manual.

Manufacturer:	<input type="text"/>
Model:	<input type="text"/>
Description:	<input type="text"/>
Part Number:	<input type="text"/>
Quantity:	<input type="text"/>
Notes:	<input type="text"/>

Submit

Discount-Equipment.com is your online resource for quality parts & equipment.

Florida: **561-964-4949** Outside Florida TOLL FREE: **877-690-3101**

Need parts?

Click on this link: <http://www.discount-equipment.com/category/5443-parts/> and choose one of the options to help get the right parts and equipment you are looking for. Please have the machine model and serial number available in order to help us get you the correct parts. If you don't find the part on the website or on one of the online manuals, please fill out the request form and one of our experienced staff members will get back to you with a quote for the right part that your machine needs.

We sell worldwide for the brands: Genie, Terex, JLG, MultiQuip, Mikasa, Essick, Whiteman, Mayco, Toro Stone, Diamond Products, Generac Magnum, Airman, Haulotte, Barreto, Power Blanket, Nifty Lift, Atlas Copco, Chicago Pneumatic, Allmand, Miller Curber, Skyjack, Lull, Skytrak, Tsurumi, Husquvarna Target, Stow, Wacker, Sakai, Mi-T-M, Sullair, Basic, Dynapac, MBW, Weber, Bartell, Bennar Newman, Haulotte, Ditch Runner, Menegotti, Morrison, Contec, Buddy, Crown, Edco, Wyco, Bomag, Laymor, EZ Trench, Bil-Jax, F.S. Curtis, Gehl Pavers, Heli, Honda, ICS/PowerGrit, IHI, Partner, Imer, Clipper, MMD, Koshin, Rice, CH&E, General Equipment, Amida, Coleman, NAC, Gradall, Square Shooter, Kent, Stanley, Tamco, Toku, Hatz, Kohler, Robin, Wisconsin, Northrock, Oztec, Toker TK, Rol-Air, APT, Wylie, Ingersoll Rand / Doosan, Innovatech, Con X, Ammann, Mecalac, Makinex, Smith Surface Prep, Small Line, Wanco, Yanmar



www.discount-equipment.com

Go to Discount-Equipment.com to order your parts

Part No. 10000043256 Rev. B 02/05/2020

©2020 Generac Mobile Products, LLC
All rights reserved.
Specifications are subject to change without notice.
No reproduction allowed in any form without prior written consent
from Generac Mobile Products, LLC.

GENERAC | **MOBILE**