



**Count on it.**

**Parts Catalog**

**RP-1200 Reversible Plate  
Compactor**

**Model No. 68073—Serial No. 313000001 and Up**



# Ordering Replacement Parts

To order replacement parts, please supply the part number, the quantity, and the description of each part desired.

## Understanding Reference Numbers

Each identified part in an illustration has a reference number. The reference number for a part also appears in the parts list, along with other information about the part.

This catalog uses two special reference number formats, one to indicate parts in a service assembly and another to indicate the quantity of a given part in an illustration.

## Service Assembly Reference Numbers

Parts in service assemblies have reference numbers in the form a:b. The a represents the reference number of the entire service assembly and the b represents a sequential number unique to each part within the service assembly.

For example, a wheel assembly might be identified by reference number 6, the tire by 6:1, the valve by 6:2, and the wheel by 6:3. When you order the assembly identified by reference number 6, you receive all parts identified by reference numbers 6:1, 6:2, and 6:3. However, you may also order any part individually. Reference numbers of this type appear in illustration and in parts lists.

## Reference Numbers Indicating Quantity

In an illustration, if a reference number indicates more than one part, the reference number has the form nX y. The n represents the quantity of the part, the X is the multiplication symbol, and the y represents the reference number.

For example, in an illustration, the reference number 2X 37 means that two of the parts identified by reference number 37 are indicated.

# List of Abbreviations

**AR:** as required

**ASM:** assembly

**BBC:** blade brake control

**BHTF:** button head thread forming

**CARR:** carriage

**CCW:** counter clockwise

**CW:** clockwise

**DEG:** degrees

**DPA:** Dual Point Adjustment

**ECM:** electronic control module

**EXT:** external

**FH:** flat head

**GA:** gauge

**HD:** heavy-duty

**HF:** hex flange

**HH:** hex head

**HHF:** hex head flange

**HHFTF:** hex head flange thread forming

**HJ:** hex jam

**HLH:** hex lag head

**HOC:** height-of-cut

**HSBH:** hex socket button head

**HSFH:** hex socket flat head

**HSH:** hex socket head

**HWH:** hex washer head

**HWHTF:** hex washer head thread forming

**HYD:** hydraulic

**LH:** left hand

**LP:** Liquefied Petroleum Gas

**LPG:** Liquefied Petroleum Gas

**NI:** nylon insert

**NPTF:** national pipe thread fine

**PFH:** phillips flat head

**PPH:** phillips pan head

**PPHTF:** phillips pan head thread forming

**PRH:** phillips round head

**PTH:** phillips truss head

**PTO:** power-take-off

**RH:** right hand

**ROPS:** roll-over protection system

**RRB:** rear roller brush

**SFH:** slotted fillister head

**SHH:** slotted hex head

**SHWH:** slotted hex washer head

**SPH:** slotted pan head

**SQH:** square head

**SRH:** slotted round head

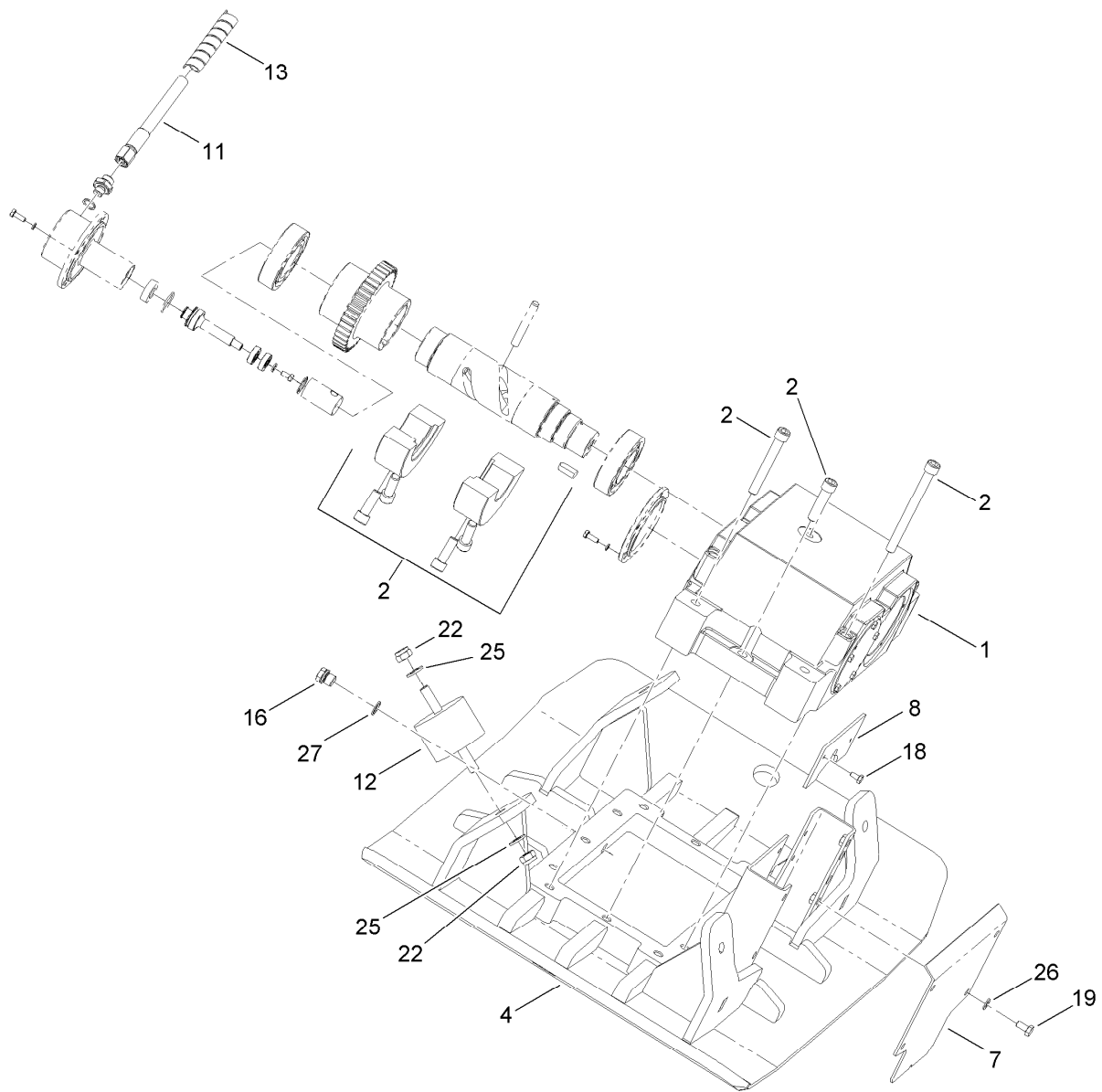
**STD:** standard

**TAP:** self tapping

**TTH:** torx truss head

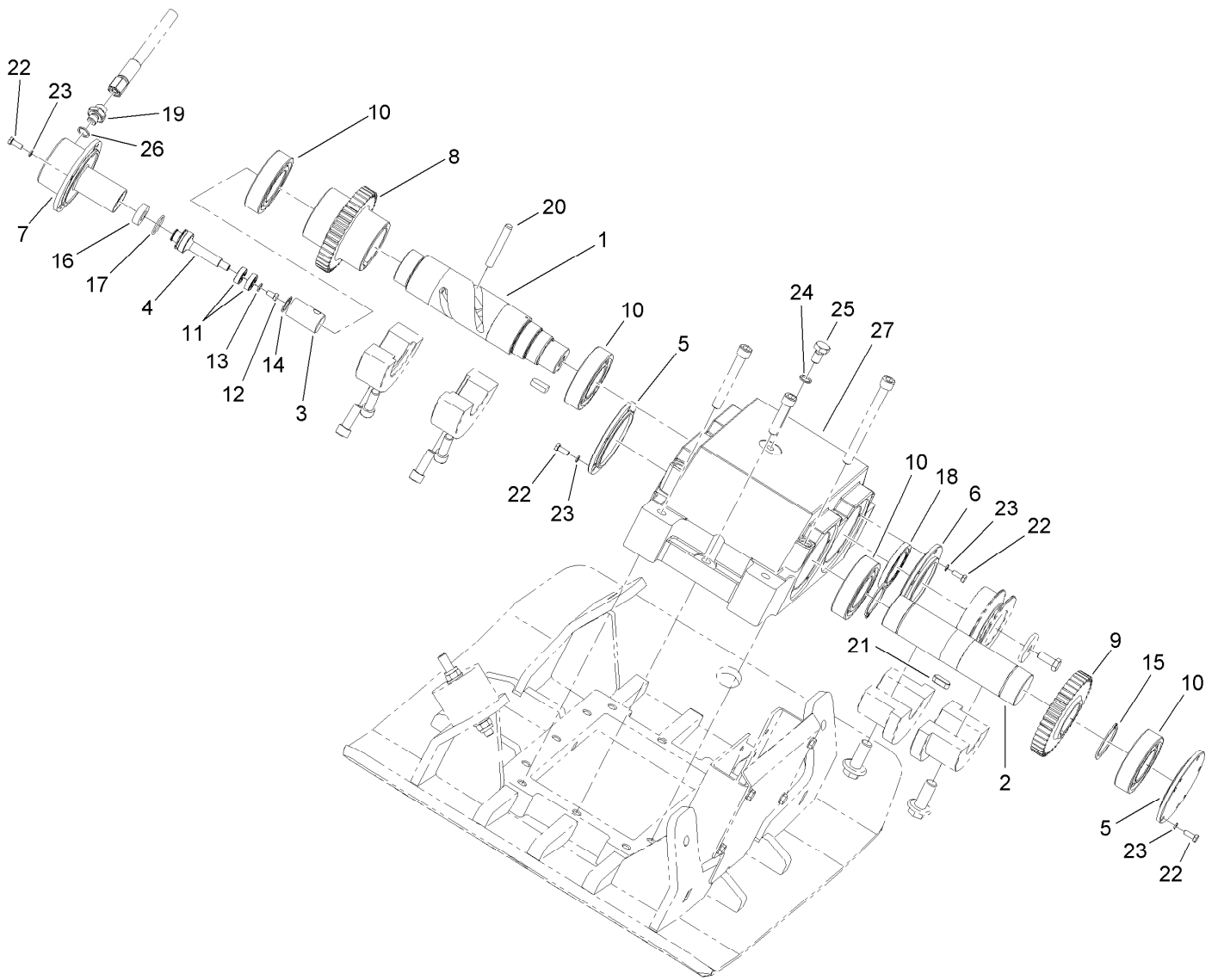
# Contents

Bed Plate Assembly .....	4
Vibratory Assembly No. 127-5061 .....	5
Weight Kit Assembly No. 127-5058 .....	6
Engine Assembly .....	7
Engine Plate Assembly .....	8
Frame and Cover Assembly .....	9
Control Arm Assembly .....	10
Control and Handle Assembly .....	11
Decals .....	12



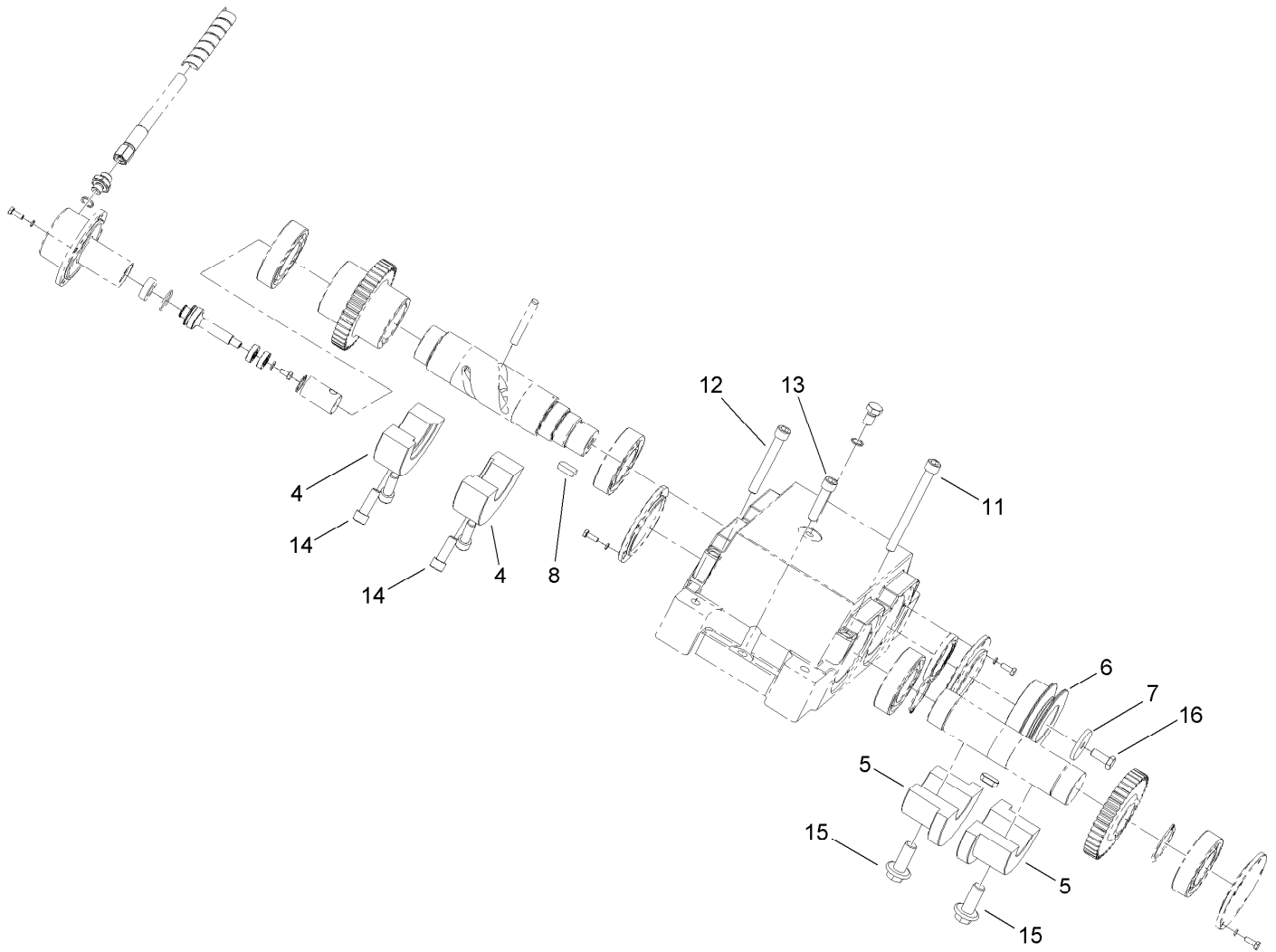
## Bed Plate Assembly

Ref.	Part Number	Qty.	Description
1	127-5061	1	Vibratory ASM
2	127-5058	1	Weight Kit
4	127-5237	1	Plate
7	127-5238	1	Cover-Front
8	127-5239	1	Cover-Back
11	127-5240	1	Hose-HYD
12	127-5241	4	Mount-Rubber
13	127-5075	1	Cover-Hose
16	127-5078	1	Plug
18	127-5242	3	Bolt
19	127-5243	4	Bolt
22	127-5244	4	Nut
25	127-5083	8	Washer
26	127-5104	4	Washer
27	127-5087	1	Ring



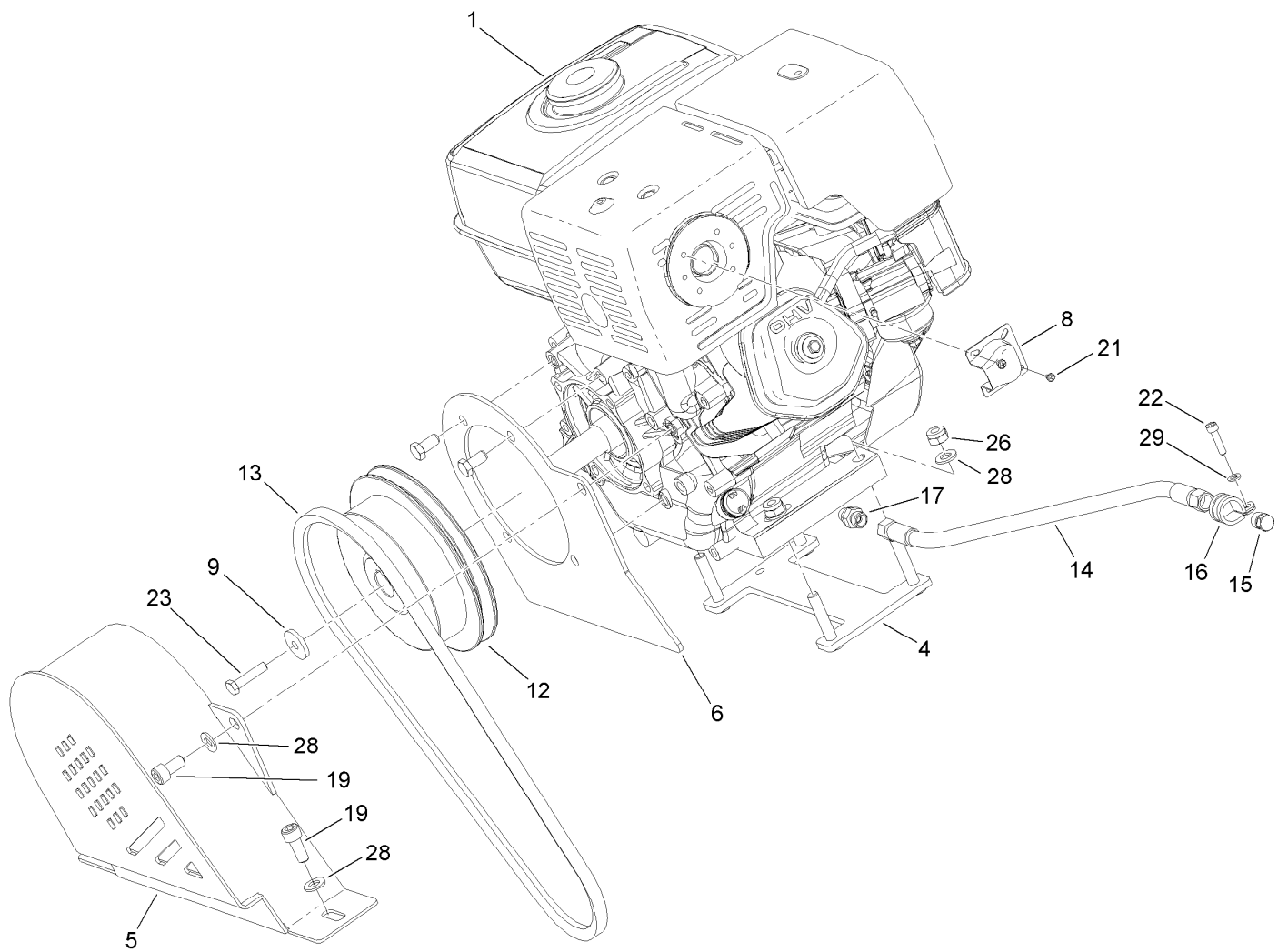
## Vibratory Assembly No. 127-5061

<i>Ref.</i>	<i>Part Number</i>	<i>Qty.</i>	<i>Description</i>	<i>Ref.</i>	<i>Part Number</i>	<i>Qty.</i>	<i>Description</i>
1	127-5395	1	Shaft-Hollow	15	127-5408	2	Ring
2	127-5396	1	Shaft	16	127-5409	1	Spacer
3	127-5397	1	Slide-Valve	17	127-5410	1	O-Ring
4	127-5398	1	Piston	18	127-5411	1	Spacer
5	127-5399	2	Cover	19	127-5076	1	Socket
6	127-5400	1	Cover	20	127-5412	1	Pin
7	127-5401	1	Cover	21	127-5413	1	Gasket
8	127-5402	1	Gear	22	127-5414	20	Bolt
9	127-5403	1	Gear	23	127-5415	20	Washer
10	127-5404	4	Bearing	24	127-5416	1	Ring-Sealing
11	127-5405	2	Bearing	25	127-5417	1	Bolt
12	127-5242	1	Bolt	26	127-5418	1	Ring-Sealing
13	127-5406	1	Washer	27	127-5419	1	Housing
14	127-5407	1	Ring				



## Weight Kit Assembly No. 127-5058

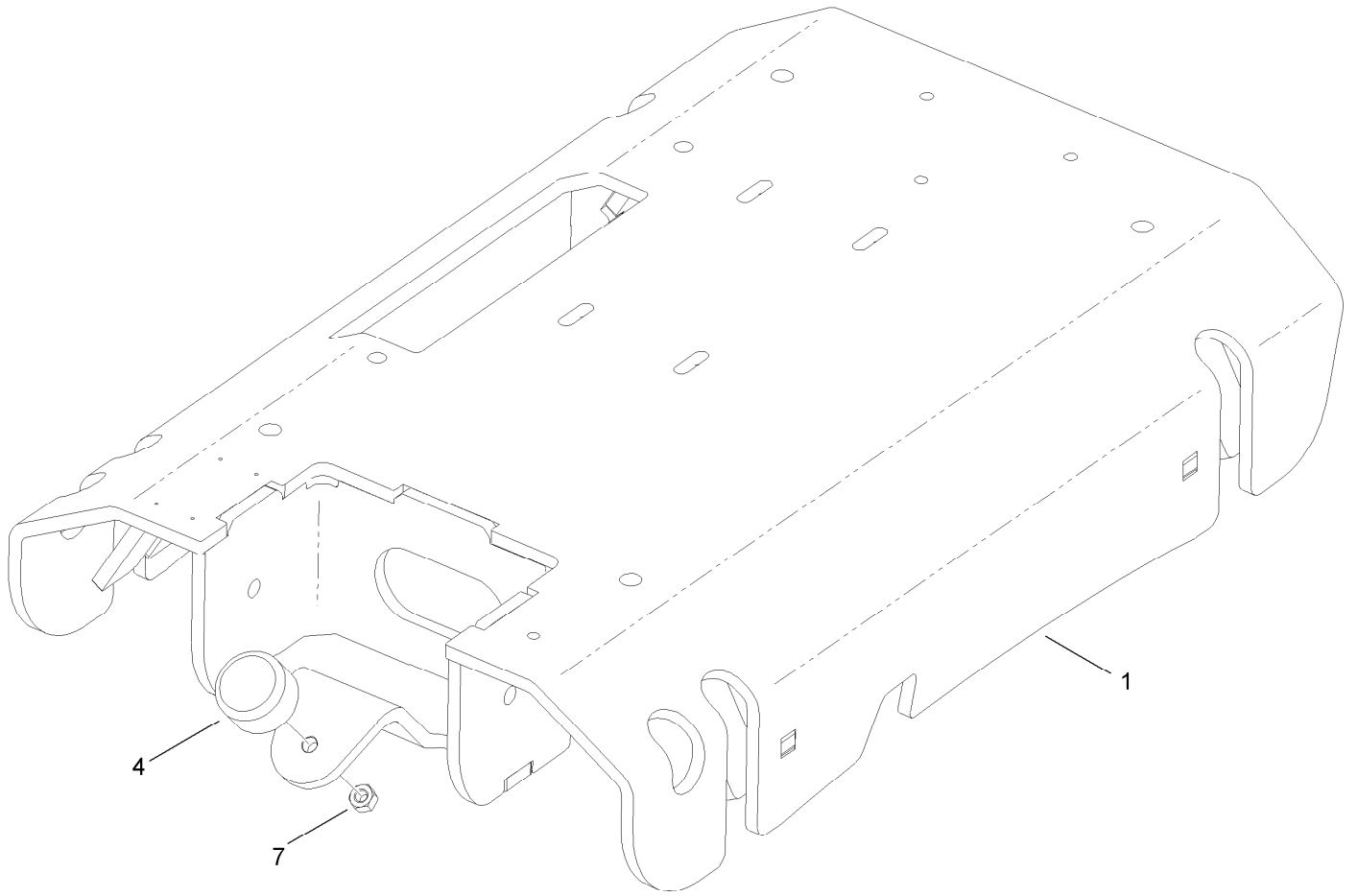
<i>Ref.</i>	<i>Part Number</i>	<i>Qty.</i>	<i>Description</i>
4	127-5386	2	Weight I
5	127-5387	2	Weight II
6	127-5388	1	Pulley
7	127-5389	1	Washer
8	127-5390	1	Adapter
11	127-5391	6	Bolt
12	127-5392	4	Bolt
13	127-5393	2	Bolt
14	127-5359	4	Bolt
15	127-5394	2	Bolt
16	33115-020	1	Screw-HH



## Engine Assembly

Ref.	Part Number	Qty.	Description	Ref.	Part Number	Qty.	Description
1	127-5245	1	Engine-Honda	15	127-5094	1	Plug-Oil
4	127-5246	1	Control-Engine	16	127-5095	1	Clip-Hose
5	127-5247	1	Cover-Pulley	17	127-5353	1	Socket-Straight
6	127-5248	1	Holder-Cover	19	127-5180	3	Bolt
8	127-5096	1	Deflector-Exhaust	21	127-5102	2	Bolt
9	127-5097	1	Washer	22	127-5354	1	Bolt
10	127-5249	1	Bar-Distance ●	23	127-5099	1	Bolt
12	127-5350	1	Coupling	26	127-5355	4	Nut
13	127-5351	1	V-Belt	28	127-5084	7	Washer
14	127-5352	1	Hose	29	127-5105	1	Washer

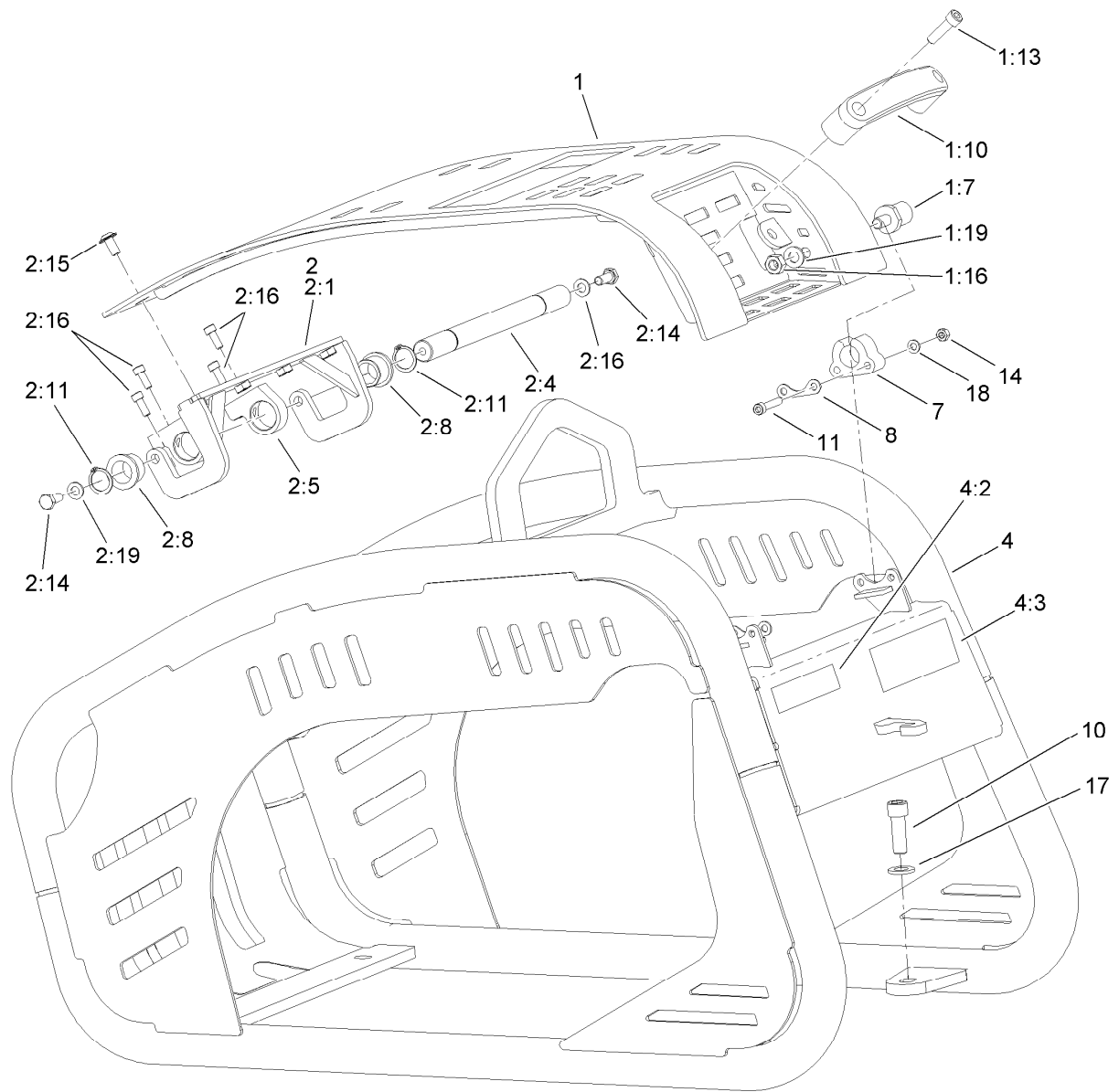
● Not illustrated



## Engine Plate Assembly

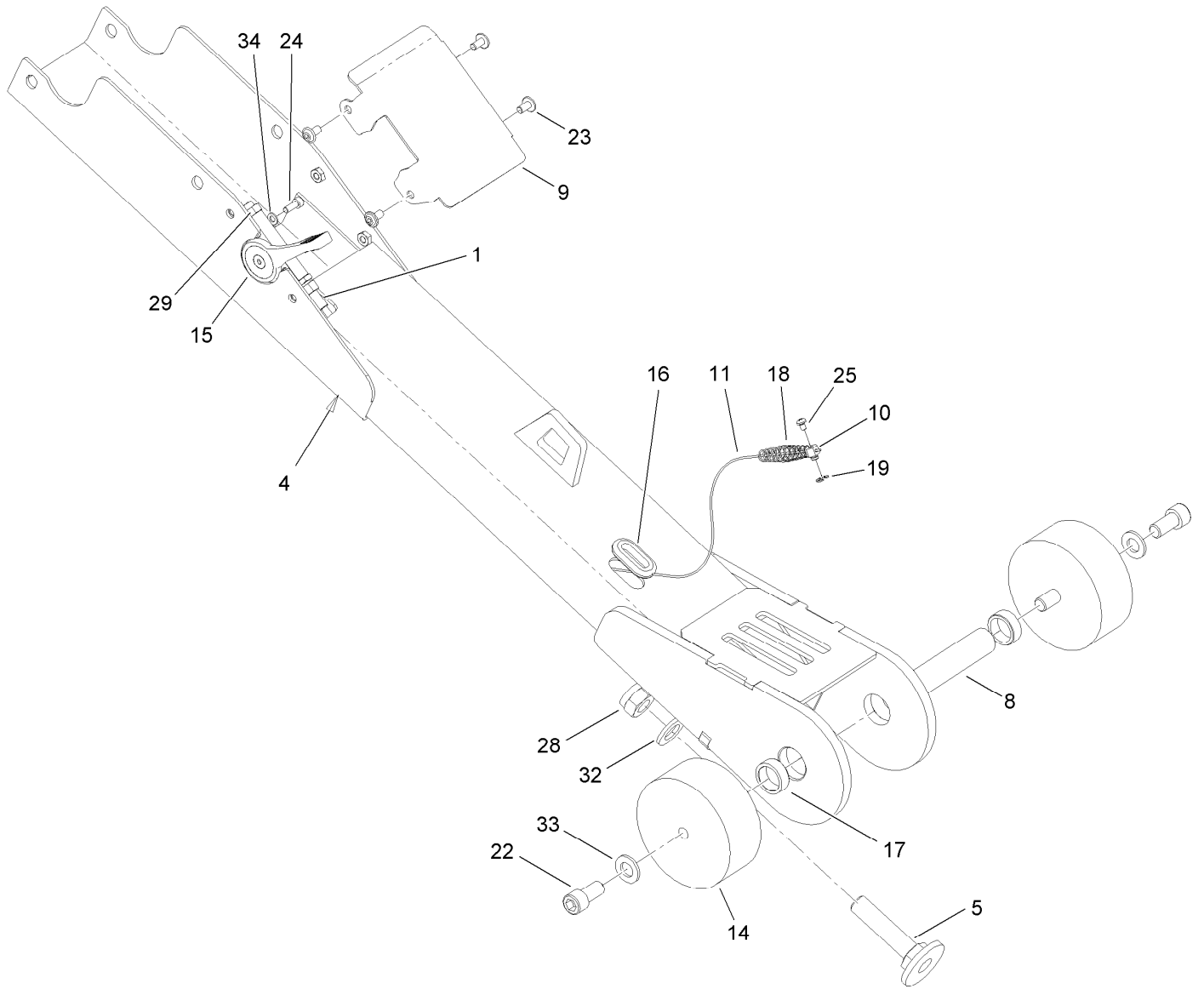
<i>Ref.</i>	<i>Part Number</i>	<i>Qty.</i>	<i>Description</i>
1	127-5356	1	Plate-Engine
4	127-5107	1	Bumper-Rubber
7	33025-00	1	Nut-Lock, NI





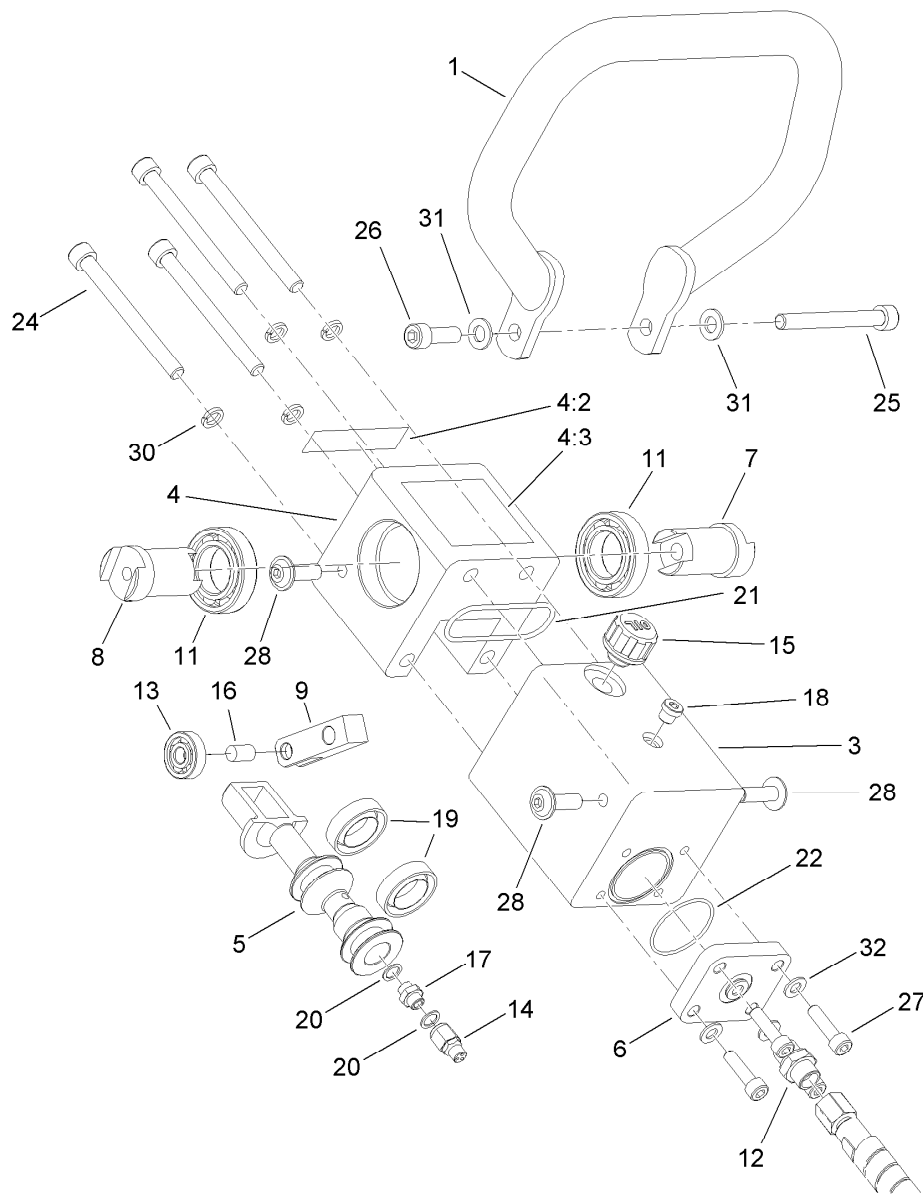
## Frame and Cover Assembly

<i>Ref.</i>	<i>Part Number</i>	<i>Qty.</i>	<i>Description</i>	<i>Ref.</i>	<i>Part Number</i>	<i>Qty.</i>	<i>Description</i>
1	127-5062	1	Top Cover ASM	2:15	127-5149	4	Bolt
1:7	127-5421	2	Pin-Handle	2:16	127-5428	4	Bolt
1:10	127-5422	1	Handle	2:19	127-5104	2	Washer
1:13	127-5148	2	Bolt	4	127-5059	1	Frame ASM
1:16	33025-00	2	Nut-Lock, NI	4:2	117-2718	1	Decal-Arrester, Spark
1:19	127-5084	2	Washer	4:3	125-4943	1	Decal-Warning, Plate
2	127-5063	1	Cover ASM	7	127-5357	2	Securing-Cover
2:1	127-5423	1	Front	8	127-5358	2	Washer-Securing
2:4	127-5424	1	Shaft	10	127-5359	4	Bolt
2:5	127-5425	2	Eye	11	127-5081	4	Bolt
2:8	127-5426	2	Bushing	14	127-5360	4	Nut
2:11	127-5427	2	Ring-Sealing	17	127-5083	4	Washer
2:14	127-5184	2	Bolt	18	127-5105	8	Washer



## Control Arm Assembly

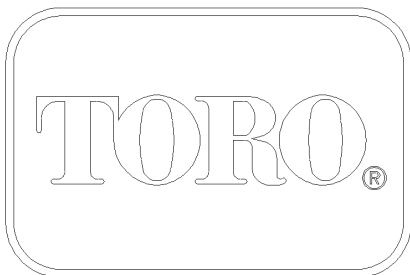
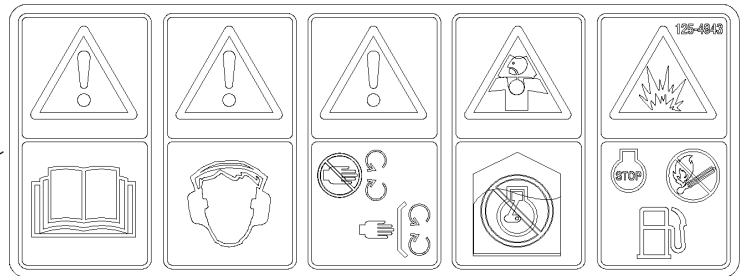
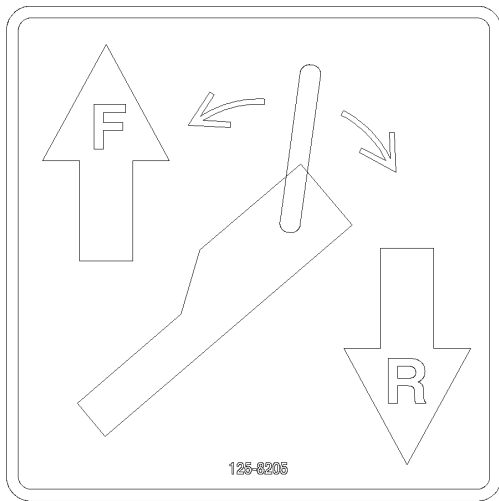
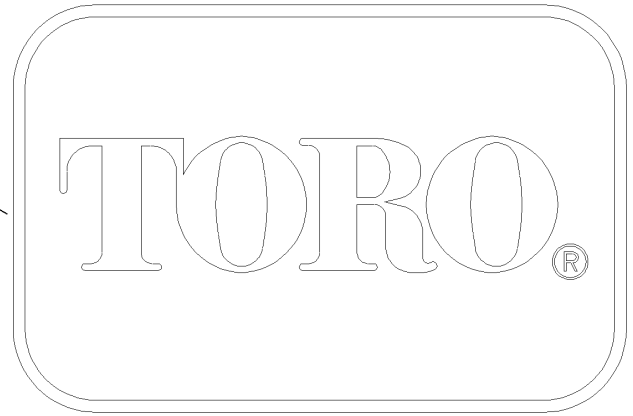
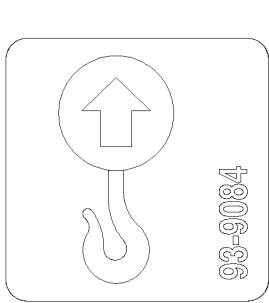
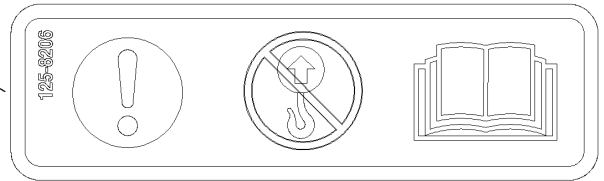
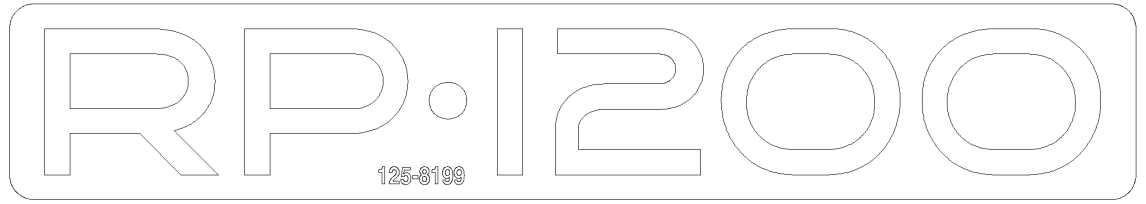
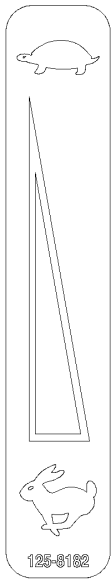
<i>Ref.</i>	<i>Part Number</i>	<i>Qty.</i>	<i>Description</i>	<i>Ref.</i>	<i>Part Number</i>	<i>Qty.</i>	<i>Description</i>
1	127-5110	1	Guide-Cable	18	127-5126	1	Spring
4	127-5361	1	Arm	19	127-5127	1	Bar-Ring
5	127-5112	1	Screw-Stop	22	127-5367	2	Bolt
8	127-5362	1	Pin-Arm	23	127-5119	4	Bolt
9	127-5363	1	Plate	24	127-5120	2	Bolt
10	127-5125	1	Nut-Wire	25	127-5102	1	Bolt
11	127-5117	1	Cable-Throttle	28	127-5121	1	Nut
14	127-5364	2	Mount-Rubber	29	127-5122	1	Nut
15	127-5365	1	Lever	32	127-5123	1	Washer
16	127-5118	1	Grommet	33	127-5084	2	Washer
17	127-5366	2	Bushing	34	127-5124	2	Washer



## Control and Handle Assembly

<i>Ref.</i>	<i>Part Number</i>	<i>Qty.</i>	<i>Description</i>	<i>Ref.</i>	<i>Part Number</i>	<i>Qty.</i>	<i>Description</i>
1	127-5368	1	Handle	16	127-5140	1	Pin
3	127-5369	1	Body-Manifold (I)	17	127-5376	1	Coupling
4	127-5060	1	Manifold ASM	18	127-5141	1	Plug
4:2	125-8206	1	Decal-Caution	19	127-5377	2	Packing
4:3	125-8205	1	Decal-Operation	20	127-5086	2	Ring
5	127-5370	1	Piston	21	127-5378	1	O-Ring
6	127-5371	1	Plate-Sealing	22	127-5379	1	O-Ring
7	127-5372	1	Pivot I	24	127-5380	2	Bolt
8	127-5373	1	Pivot II	25	127-5381	1	Bolt
9	127-5374	1	Lever	26	127-5109	1	Bolt
11	127-5135	2	Bearing	27	127-5382	4	Bolt
12	127-5136	1	Socket	28	127-5383	4	Bolt
13	127-5137	1	Bearing	30	127-5151	2	Washer
14	127-5375	1	Valve-Direct	31	127-5084	2	Washer
15	127-5139	1	Plug	32	127-5104	4	Washer

# Decals



**CALIFORNIA SPARK ARRESTER WARNING**  
 Operation of this equipment may create sparks that can start fires around dry vegetation. A spark arrester may be required. The operator should contact local fire agencies for laws or regulations relating to fire prevention requirements. 117-2718

## Decals (continued)

<i>Ref.</i>	<i>Part Number</i>	<i>Qty.</i>	<i>Description</i>	<i>Ref.</i>	<i>Part Number</i>	<i>Qty.</i>	<i>Description</i>
2	93-9084	1	Decal-Point, Lift	7	125-8182	1	Decal-Throttle
3	125-4943	1	Decal-Warning, Plate	8	117-2718	1	Decal-Arrester, Spark
4	125-8205	1	Decal-Operation	9	125-8207	1	Decal-Engine Oil
5	125-8206	1	Decal-Caution	10	70-2200	2	Decal
6	125-8199	2	Decal-Rp-1200	11	104-3989	1	Decal

**Notes:**

**Notes:**



**Count on it.**